



W.B. MASON

FOR OFFICE SUPPLIES, FURNITURE & PRINTING

2016 Parts Catalog



2016 Morgan Olson Body
2016 Freightliner Chassis MT55

RSK 24' 93W 91H X250
JV001378 & JV001388



1.800.233.4823

WWW.MORGANOLSON.COM

THIS PARTS CATALOG APPLIES TO THE FOLLOWING DELIVERY VEHICLES

VIN Number	Unit #	4UZAARDU1HCJB8904	672097	4UZAARDUXHCJB8951	671959
JV001378		4UZAARDU0HCJB8912	672091	4UZAARDU3HCJB8869	671985
4UZAARDU3HCHX8403	664997	4UZAARDU2HCJB8913	672095	4UZAARDUXHCJB8870	671986
4UZAARDU6HCHX8430	664968	4UZAARDU2HCJB8958	672077	4UZAARDU1HCJB8871	671987
4UZAARDU1HCHX8433	664969	4UZAARDU4HCJB8914	672098	4UZAARDU8HCJB8933	671988
4UZAARDU3HCHX8434	664970	4UZAARDU6HCJB8963	672099	4UZAARDUXHCJB8934	671989
4UZAARDUXHCHX8446	664971	4UZAARDU0HCJB8960	672080	4UZAARDU1HCJB8935	671990
4UZAARDU5HCHX8452	664947	4UZAARDU9HCJB8911	672090	4UZAARDU7HCJB8955	671991
4UZAARDU7HCHX8453	664948	4UZAARDU3HCJB8905	672083	4UZAARDU9HCJB8956	671992
4UZAARDU9HCHX8454	664972	4UZAARDU5HCJB8906	672087	4UZAARDU0HCJB8957	671993
4UZAARDU0HCHX8455	664973	4UZAARDU7HCJB8941	672084	4UZAARDU6HCJB8977	671994
4UZAARDU2HCHX8456	664953	4UZAARDU2HCJB8961	672085	4UZAARDU8HCJB8978	671995
4UZAARDU4HCHX8457	664966	4UZAARDU4HCJB8962	672086	4UZAARDU4HCJB8878	671938
4UZAARDU6HCHX8458	664967	4UZAARDU4HCJB8895	672081	4UZAARDU6HCJB8879	671939
4UZAARDU8HCHX8459	664932	4UZAARDU9HCJB8939	672082	4UZAARDU2HCJB8880	671940
4UZAARDU4HCHX8460	664964	4UZAARDU0HCJB8893	672073	4UZAARDUXHCJB8920	671941
4UZAARDU6HCHX8461	664965	4UZAARDU2HCJB8894	672074	4UZAARDU1HCJB8921	671942
4UZAARDU8HCHX8462	664933	4UZAARDU3HCJB8936	672075	4UZAARDU3HCJB8922	671943
4UZAARDU1HCHX8464	664931	4UZAARDU5HCJB8937	672076	4UZAARDU6HCJB8946	671944
4UZAARDU3HCHX8465	664949	4UZAARDU1HCJB8899	672092	4UZAARDU8HCJB8947	671945
4UZAARDU5HCHX8466	664950	4UZAARDU9HCJB8942	672093	4UZAARDUXHCJB8948	671946
4UZAARDU0HCHX8469	665002	4UZAARDU7HCJB8938	672078	4UZAARDU1HCJB8966	671947
4UZAARDU7HCHX8470	665003	4UZAARDU4HCJB8959	672079	4UZAARDU3HCJB8967	671948
4UZAARDU9HCHX8471	665004	4UZAARDU4HCJB8881	671960	4UZAARDU5HCJB8968	671949
4UZAARDU0HCHX8472	665005	4UZAARDU6HCJB8882	671961	4UZAARDU5HCJB8873	671927
4UZAARDU2HCHX8473	665006	4UZAARDU2HCJB8927	671962	4UZAARDU7HCJB8874	671928
4UZAARDU4HCHX8474	665007	4UZAARDU1HCJB8952	671963	4UZAARDU1HCJB8918	671929
4UZAARDU6HCHX8475	665008	4UZAARDU3HCJB8953	671964	4UZAARDU3HCJB8919	671930
4UZAARDU3HCHX8479	664946	4UZAARDU3HCJB8872	671922	4UZAARDU2HCJB8944	671931
4UZAARDUXHCHX8480	664942	4UZAARDU6HCJB8915	671923	4UZAARDU4HCJB8945	671932
4UZAARDU8HCHX8493	664909	4UZAARDU0HCJB8943	671924	4UZAARDU8HCJB8964	671933
4UZAARDU7HCHX8498	664887	4UZAARDU8HCJB8883	671965	4UZAARDUXHCJB8965	671934
4UZAARDU2HCHX8506	665013	4UZAARDUXHCJB8884	671966	4UZAARDU1HCJB8885	671969
4UZAARDU4HCHX8507	664927	4UZAARDU4HCJB8928	671967	4UZAARDU3HCJB8886	671970
4UZAARDU4HCHX8510	664998	4UZAARDU5HCJB8954	671968	4UZAARDU5HCJB8887	671971
4UZAARDU6HCHX8511	664999	4UZAARDU9HCJB8875	671935	4UZAARDU7HCJB8888	671972
4UZAARDU8HCHX8512	665000	4UZAARDU0HCJB8876	671936	4UZAARDU6HCJB8929	671973
4UZAARDU3HCHX8515	664879	4UZAARDU2HCJB8877	671937	4UZAARDU2HCJB8930	671974
4UZAARDU5HCHX8516	664880	4UZAARDUXHCJB8917	671925	4UZAARDU4HCJB8931	671975
4UZAARDU7HCHX8517	664881	4UZAARDUXHCJB8643	671950	4UZAARDU6HCJB8932	671976
4UZAARDU0HCHX8519	664873	4UZAARDU1HCJB8644	671951	4UZAARDU7HCJB8969	671977
4UZAARDU7HCHX8520	664878	4UZAARDU5HCJB8923	671952	4UZAARDU3HCJB8970	671978
4UZAARDU4HCHX8524	665012	4UZAARDU7HCJB8924	671953	4UZAARDU5HCJB8971	671979
JV001388		4UZAARDU8HCJB8950	671954	4UZAARDU7HCJB8972	671980
4UZAARDU8HCJB8897	672088	4UZAARDUXHCJB8867	671955	4UZAARDU9HCJB8973	671981
4UZAARDUXHCJB8898	672089	4UZAARDU1HCJB8868	671956	4UZAARDU0HCJB8974	671982
4UZAARDU8HCJB8902	672094	4UZAARDU9HCJB8925	671957	4UZAARDU2HCJB8975	671983
4UZAARDUXHCJB8903	672096	4UZAARDU0HCJB8926	671958	4UZAARDU4HCJB8976	671984

UNIT & VIN NUMBERS	2
TABLE OF CONTENTS	3
INTRODUCTION	4
CAB	5
WINDSHIELD	6
INSTRUMENT PANEL	7
HOOD	8-9
STEPS	10
SEATS	11
FLOOR	12
STIFFENERS	13
SIDES	14-15
ROOF	16
BACK	17
BULKHEAD	18
SIDE DOORS	19
SIDE DOOR POCKETS	20-21
ROLL UP DOORS	22-25
SHELVES	26
BUMPERS	27
MIRRORS & WINDSHIELD WIPER ASSEMBLY	28
HEATER	29-30
ELECTRICAL	31-32
MISCELLANEOUS	33-34
WIRING DIAGRAMS	35-58

This parts guide contains illustrations and part numbers for W.B. Mason Package Cars, RYDER Unit Numbers 664873 to 672099, bill of material # JV001378 and JV001388 produced in 2016.

This book has been divided into chapters.

Each chapter has illustrations with part numbers and descriptions.

Each part is pointed out to help identify it. Orientation references are from the rear of the vehicle facing forward. LH (LEFT HAND) is roadside and RH (RIGHT HAND) is curbside.

Procedure to Order Parts

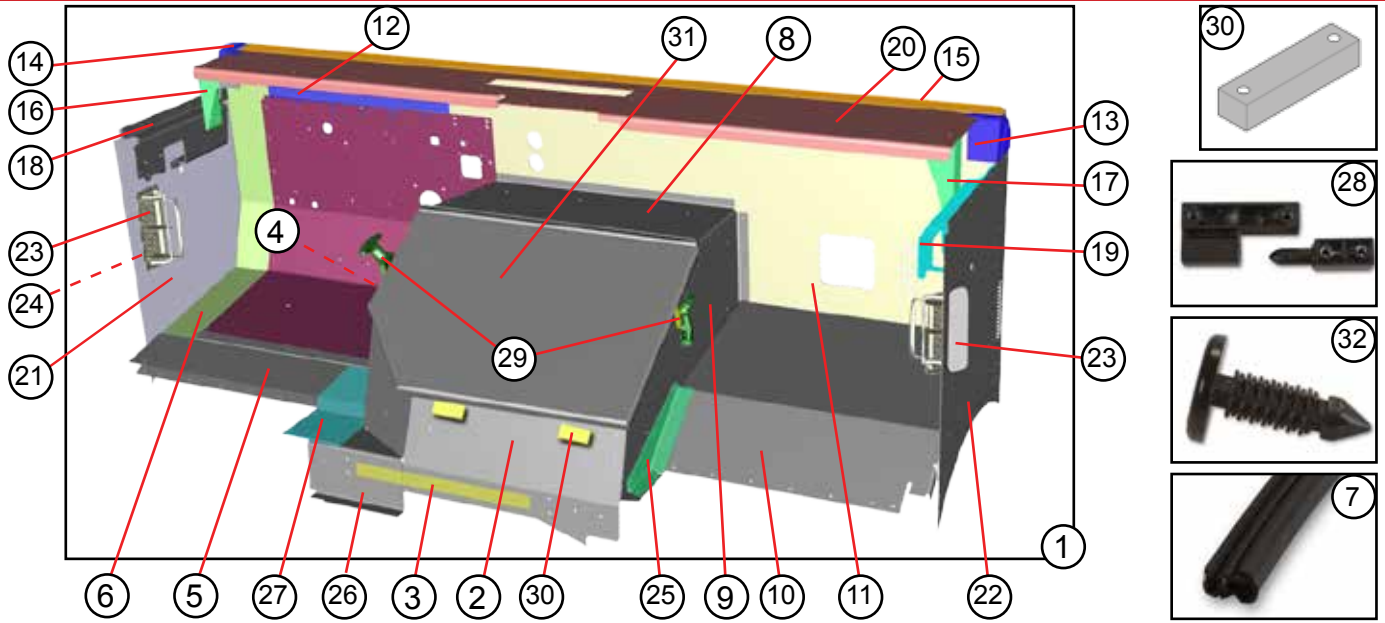
1. Depending on the part desired, turn to the appropriate section.
2. Locate the desired part on the Illustration Page(s) and note it's part number.
3. Contact a Morgan Olson Service Parts Representative. Have part numbers readily available.
4. When placing orders, please have VIN number, part numbers, serial number of roll up door.

FOR WARRANTY INFORMATION CALL 1-800-262-3437

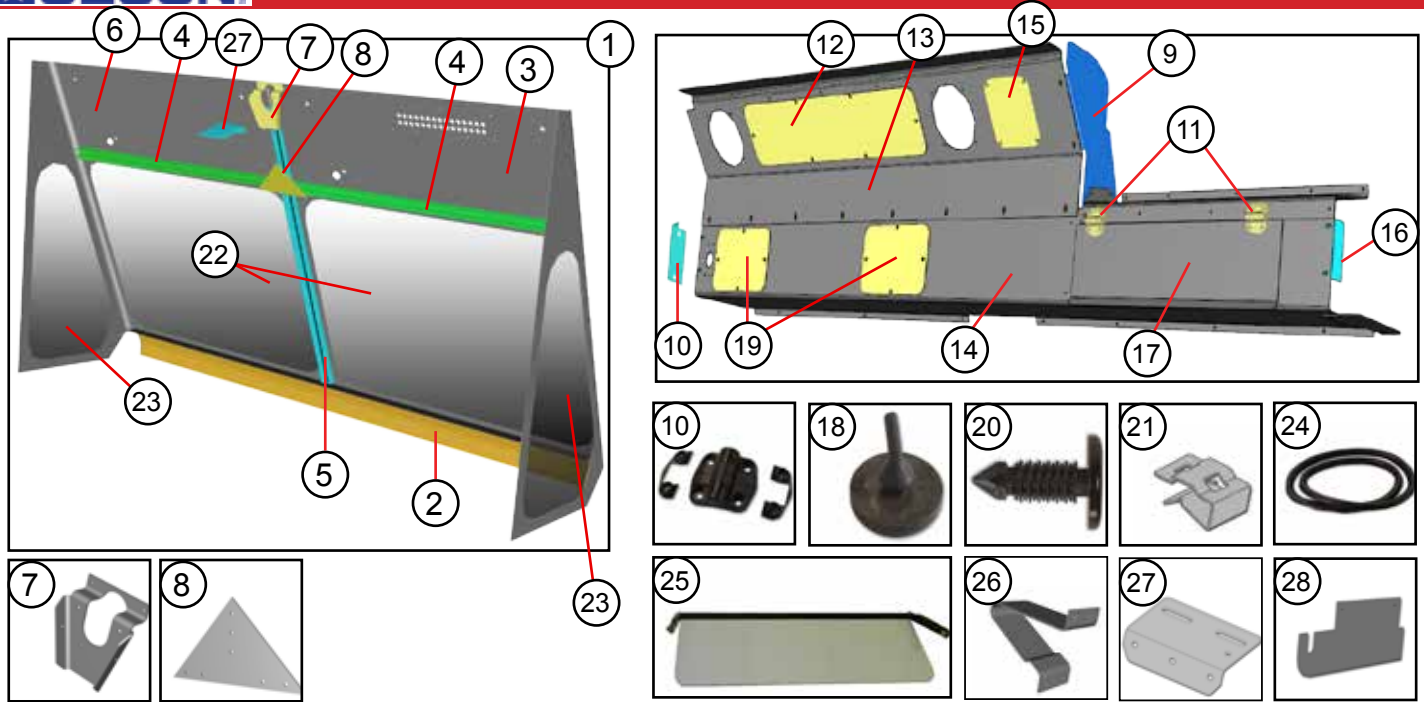
ANY QUESTIONS OR CONCERNS SHOULD BE DIRECTED TO YOUR SERVICE
PARTS REPRESENTATIVE AT
1-800-233-4823

At Morgan Olson, our quest for quality and safety is ongoing and therefore the specifications on the product described herein may vary over time.

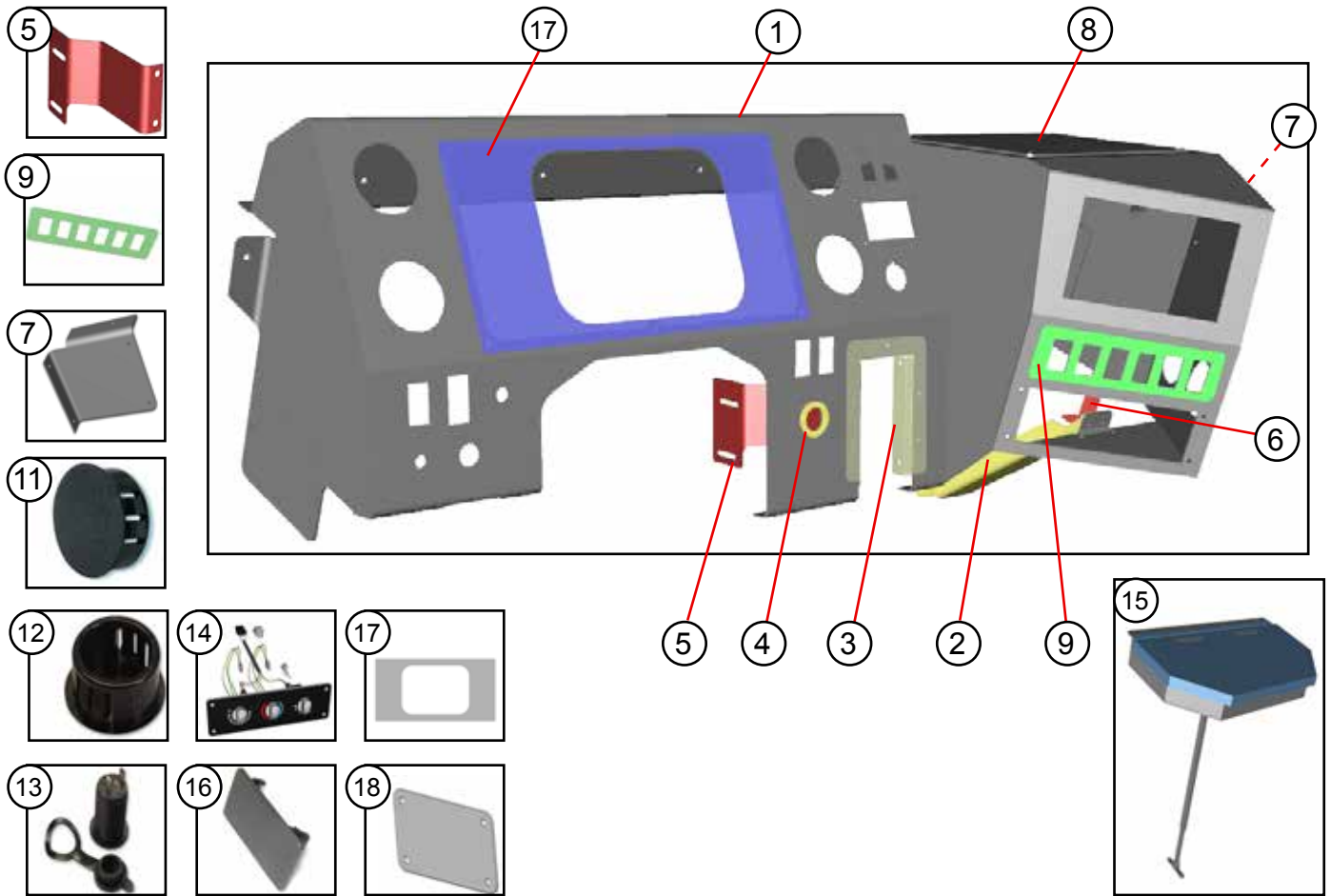
Please contact Morgan Olson for the latest product information and available safety feature options.



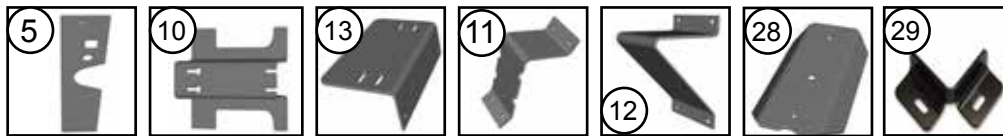
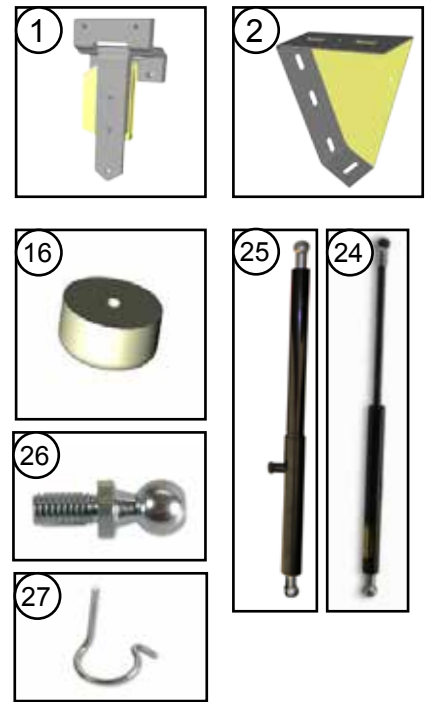
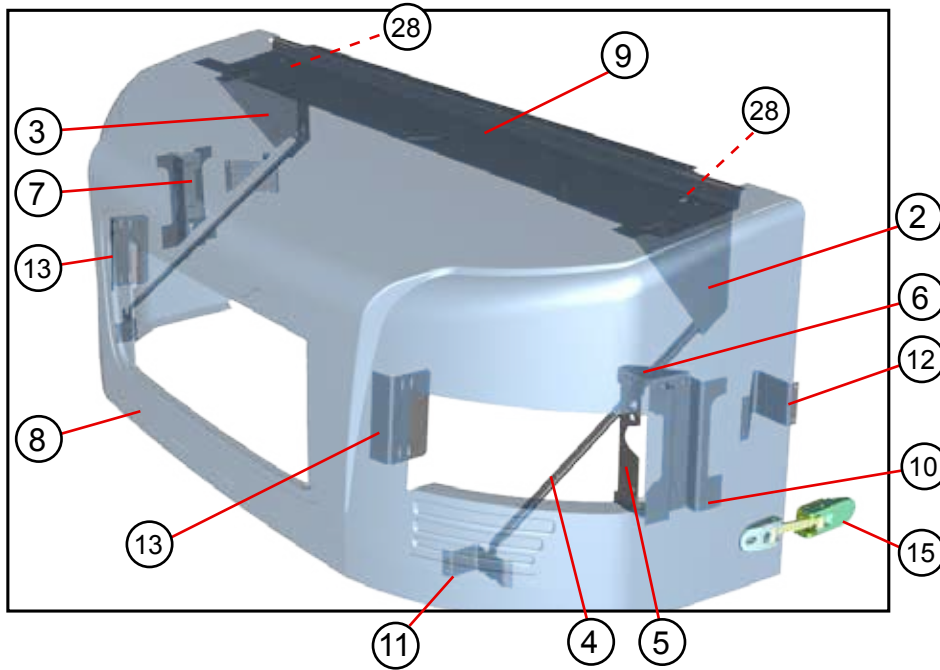
ITEM #	PART #	DESCRIPTION	QTY.	UNIT
1	138005200	CAB ASSEMBLY	1	EA
2	098005502	ENGINE BOX SADDLE	1	EA
3	077050402	SHIM	1	EA
4	098005503	ENGINE BOX SIDE ROADSIDE	1	EA
5	077050423	TOE BOARD ROADSIDE	1	EA
6	077050419	TOE BOARD DASH ROADSIDE	1	EA
7	1107270	SEAL TR SCHLEG1426-X999	8	FT
8	098005400	ENGINE BOX TOP	1	EA
9	098005501	ENGINE BOX HOUSING	1	EA
10	098005462	DASH PANEL	1	EA
11	098005472	DASH WALL CURBSIDE	1	EA
12	077050408	DASH WALL ROADSIDE	1	EA
13	8502001	CORNER CASTING CURBSIDE	1	EA
14	8502000	CORNER CASTING ROADSIDE	1	EA
15	083023402	WINDSHIELD RAIL	1	EA
16	083005418	SUPPORT RAIL ROADSIDE	1	EA
17	083005419	SUPPORT RAIL CURBSIDE	1	EA
18	077050400	STIFFENER ROADSIDE	1	EA
19	077050401	STIFFENER CURBSIDE	1	EA
20	093005512	DASH SHELF	1	EA
21	093005421	CAB SKIRT ROADSIDE	1	EA
22	135005400	CAB SKIRT CURBSIDE	1	EA
23	47008545	VENT 2 WAY HINGLESS	2	EA
24	47008548	VENT GASKET	2	EA
25	077050406	GUSSET TOE BOARD CURBSIDE	1	EA
26	077050411	FILLER SADDLE	1	EA
27	077050446	HEEL SCUFF PLATE	1	EA
28	47007859	HINGE OFFSET	2	EA
29	1113336	LATCH	2	EA
30	117028400	SHIM ENGINE BOX	2	EA
31	098028402	LID ENGINE BOX	1	EA
32	47006630	CLIP PLASTIC ROUND/HEAD 1.32-1.34	27	EA



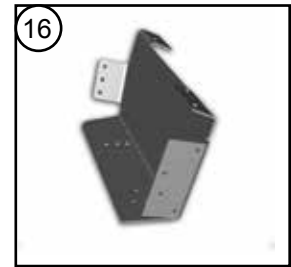
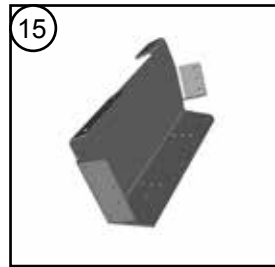
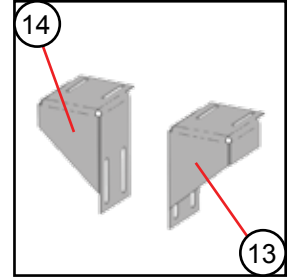
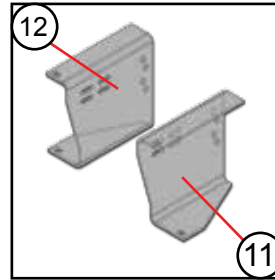
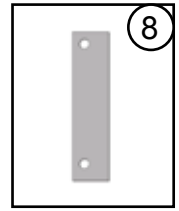
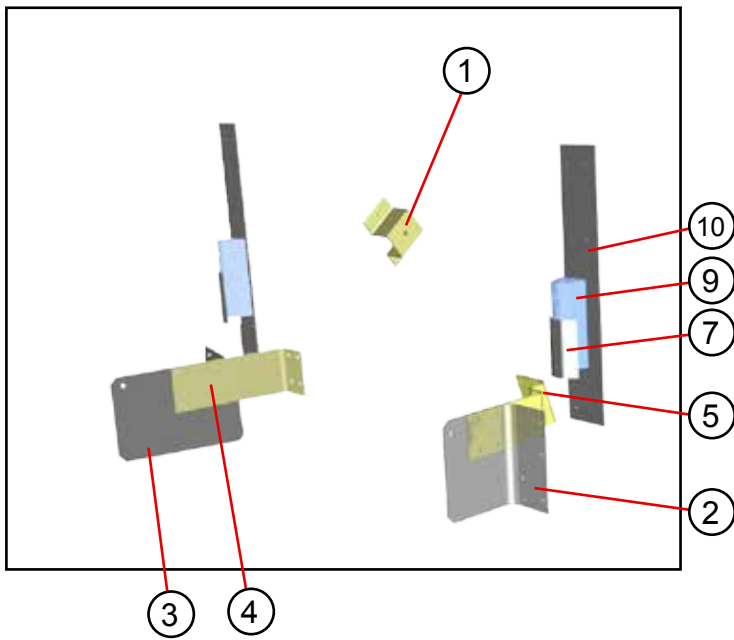
ITEM #	PART #	DESCRIPTION	QTY.	UNIT
1	148055200	WINDSHIELD ASSEMBLY 85H93W NO VENT	1	EA
2	083023402	WINDSHIELD RAIL (SEE PAGE 4 ITEM 15)	1	EA
3	148055400	FRAME W/S AL .102X53.45X70.25 CURBSIDE	1	EA
4	077055404	STIFFENER W/S AL 450540X44.25	2	EA
5	148055402	POST W/S CENTER AL 450540X44.84	1	EA
6	148055401	FRAME WINDSHEILD ROADSIDE	1	EA
7	077055402	GUSSET FRAME W/S AL .125X6.49X7.27	1	EA
8	998555329	GUSSET FRAME W/S AL .125X4.6X9.19	1	EA
9	148076405	COVER WIPER END AL.102X13X26.28	1	EA
10	088076449	BRACKET, MOUNTING AL.102X2.36X3.9 LH	1	EA
11	47007888	HINGE	2	EA
12	097076435	PLATE COVER ACC AL.070X6X28.38	1	EA
13	148076404	COVER MOTOR WIPER AL.102X19.96X59.84	1	EA
14	148076401	SHELF LOWER WRP AL.102X18.85X87.9	1	EA
15	097076437	PLATE COVER ACC AL.070X5.75X5.75	1	EA
16	088076450	BRACKET MOUNTING AL .102X2.36X3.9 RH	1	EA
17	088076447	COVER DOOR COMPARTMENT AL .102X6.31X23	1	EA
18	1107102	PLUG BPR D/R	2	EA
19	097076436	PLATE COVER ACC AL.070X6X10	2	EA
20	47006610	CLIP PUSH IN .45HEADX.64	52	EA
21	46021115	CLIP LARGE BODY PAN	1	EA
22	96756400	GLASS WINDSHIELD	2	EA
23	148056400	GLASS SIDE TRIANGLE	2	EA
24	44004303	WEATHER STRIPPING LS-1660 X147.5	2	EA
24	44004308	WEATHER STRIPPING LS-1660 X87	2	EA
25	47005504	SUN VISOR	2	EA
26	090061400	BRACKET SUN VISOR CURBSIDE	1	EA
27	083055454	BRACKET WIPER MOTOR AL.102X4.5X4.64	1	EA
28	158076401	PANEL END COMPARTMENT AL .102X4X10.81	1	EA
NS	118011402	LINER ROOF CAB 452100X37.12X86.75	1	EA
NS	100011400	POLYESTER FILL ROOF LINER 4X22.5	1	EA



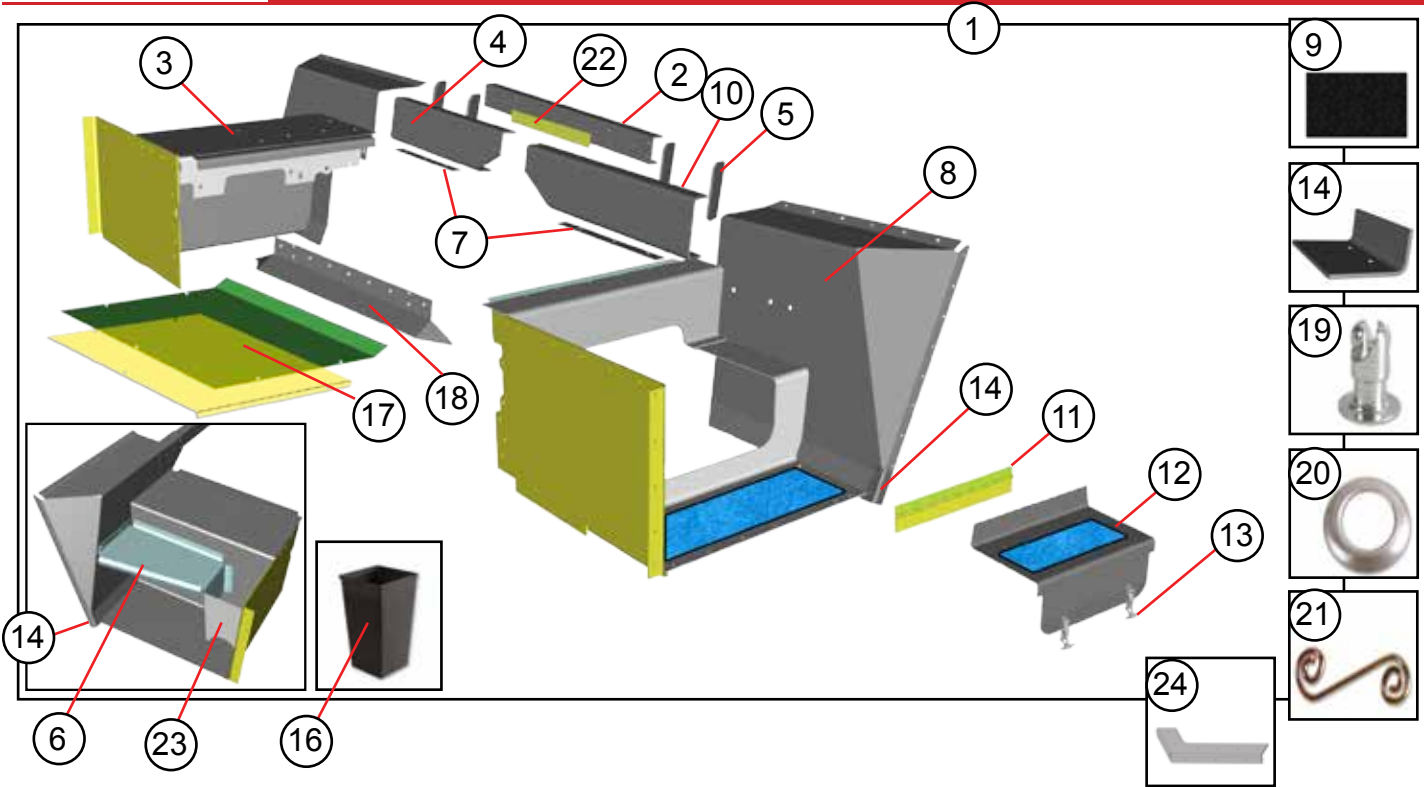
ITEM #	PART #	DESCRIPTION	QTY.	UNIT
1	124027203	INSTRUMENT PANEL WELDMENT	1	EA
2	118027421	BRACKET REINFORCEMENT AL.102X4.32X11.69	1	EA
3	002027423	BRACKET SHIFTER STEEL 11GAX4.87X6.43	1	EA
4	006327202	SPACER IGNITION SWITCH AL .102X1.5X1.5	1	EA
5	107027403	BRACE INSTRUMENT PANEL AL.102X3.75X8.43	1	EA
6	118027414	BRACE AL.125X1.91X12.9	1	EA
7	114027403	BRACE PANEL AL.125X6.48X7.32	1	EA
8	128027421	COVER PLATE RADIO AL.102X9X11	1	EA
9	118027417	PLATE ROCKER SWITCH AL.102X2.50X8.75	1	EA
10	128027403	PLATE COVER INSTRUMENT PANEL AL.102X2.38X4	1	EA
11	44000117	PLUG HL BLACK	1	EA
12	1111513	PLUG HL BLACK	1	EA
13	46026378	RECEPTICAL 12V POWER W/TETHER SS BODY	1	EA
14	555001413	PANEL CONTROL HEATER (SEE PAGE 27)	1	EA
15	47009282	SHELF WORK STATION ASSEMBLY W/DIV & LOCK	1	EA
16	46023506	PLUG HOLE ROCKER SWITCH BLACK	3	EA
17	098027402	PLATE ADAPTOR INSTRUMENT PANEL	1	EA
18	128027403	PLATE COVER I/P AL.102X2.38X4	1	EA



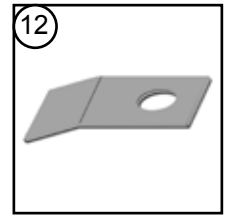
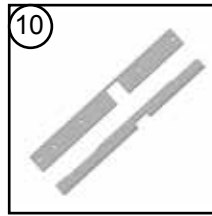
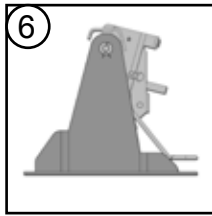
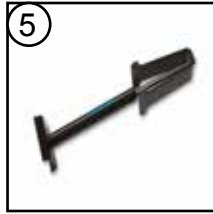
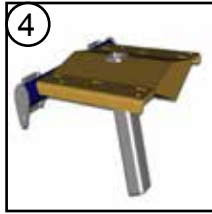
ITEM #	PART #	DESCRIPTION	QTY.	UNIT
1	47007900	HINGE AL STRAP W/ZERK .25 OFF SET	2	EA
2	088017264	BRACKET HINGE WELDMENT ROADSIDE (SHOWN)	1	EA
3	088017263	BRACKET HINGE WELDMENT CURBSIDE	1	EA
4	006017420	BRACE HOOD AL .102X3.12X29.88	2	EA
5	006017430	PLATE MOUNTING AL .102X2.7X11.75	2	EA
6	006017429	BRACKET LAMP AL .102X5.76X19.68	2	EA
7	006017428	BRACKET LAMP ANGLE AL ANG .102X5.62X8	2	EA
8	45200799	HOOD FIBREGLASS 93W	1	EA
9	006017402	STIFFENER AL .125X15X80.5	1	EA
10	006017424	BRACKET HEADLAMP AL .102X10.35X11.75	2	EA
11	006017426	BRACKET SUPPORT FRONT AL .102X2.5X8.0	2	EA
12	006017427	BRACKET SIDE AL .102X4X11.67	2	EA
13	006017425	BRACKET HEADLAMP INBOARD AL .102X6.44X8	2	EA
NS	44004077	SEAL TAPE #1458BTXFT	4.42	FT
15	47000613	LATCH HOOD	2	EA
16	44002004	BUMPER RUBBER HOOD LATCH	2	EA
NS	CFGRILLEM2	GRILLE	1	EA
NS	CFBADGEM2	GRILLE BADGE	1	EA
24	47006018	SPRING GAS SUSPA #C16-04650	1	EA
25	47006051	SPRING GAS WITH LOCK	1	EA
26	40900019	STUD BALL SUSPA #P67-00002	4	EA
27	40900020	STUD BALL CLIP	4	EA
28	088017453	CHANNEL STIFFENER HINGE AL.125X4.1X7.11	2	EA
29	96713300	ANGLE STEEL S 11GAX1.85X4.74	2	EA



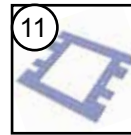
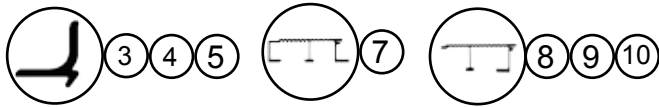
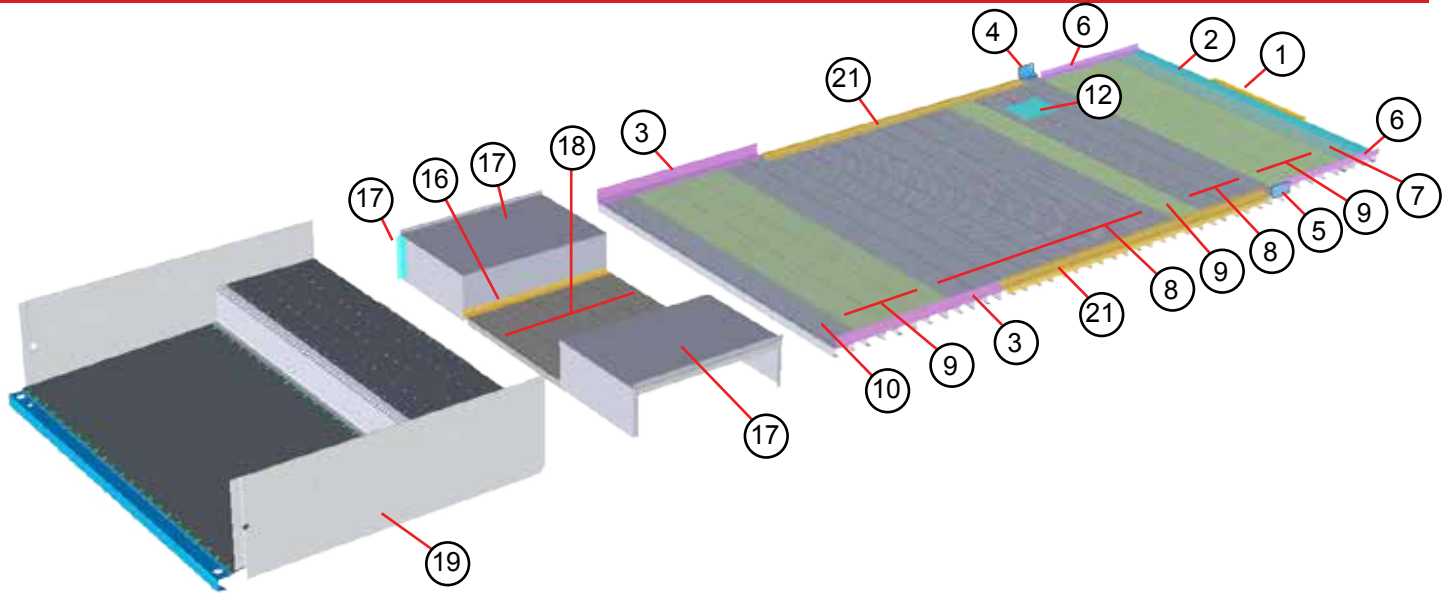
ITEM #	PART #	DESCRIPTION	QTY.	UNIT
1	006017433	STIFFENER HAT AL 450139X2.5	2	EA
2	088016400	BRACKET HOOD PROP ROADSIDE STL7GAX7.22X9.17L	1	EA
3	088016401	BRACKET HOOD PROP CURBSIDE STL7GAX7.22X9.17R	1	EA
4	098016402	BRACE HOOD BRACKET CURBSIDE STL7GA X3.5X12.12	1	EA
5	098016401	BRACE HOOD BRACKET ROADSIDE STL7GA X4.25X14.12	1	EA
6	43000597	LABEL HOOD PROPER INSTRUCTIONS	1	EA
7	088017445	BRACKET HOOD STOP AL.102X2.92X4	2	EA
8	087015400	BUMPER BACKER AL.102X.88X6	2	EA
9	44002014	REST HOOD BUMPER RUBBER	2	EA
10	088017444	PLATE BACKER HOOD STOP AL.188X3X19	2	EA
11	109008400	FRAME EXTENSION ROADSIDE STL.312X13.44X20.11LH	1	EA
12	109008401	FRAME EXTENSION CURBSIDE STL.312X13.44X20.11RH	1	EA
13	094015400	BRACKET HOOD REST ROADSIDE 11GAX11.79X14.54LH	1	EA
14	094015401	BRACKET HOOD REST CURBSIDE 11GAX11.79X14.54RH	1	EA
15	077260400	SPLASH PAN AL .125X11.27X21.36LH	1	EA
16	077260404	SPLASH PAN AL .125X8.47X19.23RH	1	EA



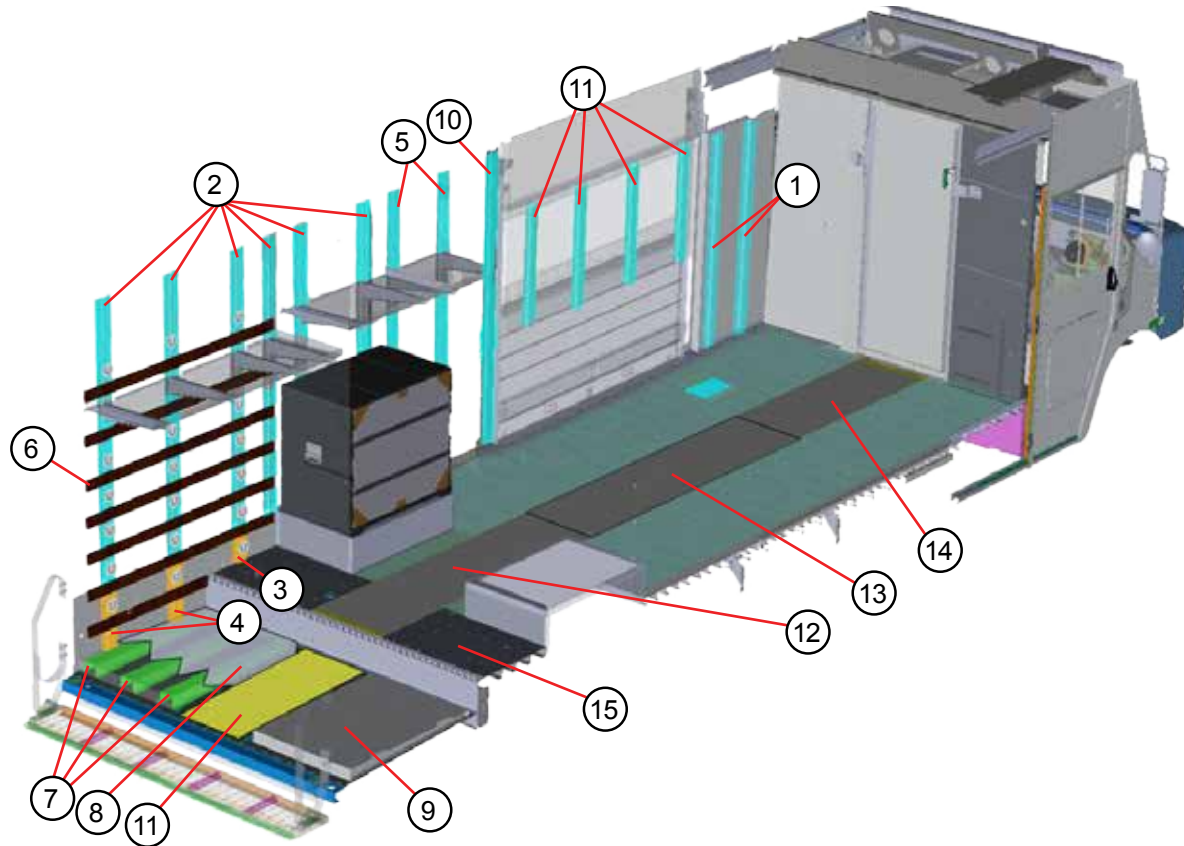
ITEM #	PART #	DESCRIPTION	QTY.	UNIT
1	088024021	STEP INSTALLATION CAB 93W MT55 2DR EM08	1	EA
2	077240400	CROSSMEMBER CENTER AL 456106X41	1	EA
3	088024243	STEP ASSEMBLY ROADSIDE	1	EA
4	083024464	CHANNEL CROSSMEMBER AL 456109X27 LH	1	EA
5	077240438	GUSSET AL .25X2.25X5.63	4	EA
6	077240468	STEP MID ALD.125X13.61X26.19 ROADSIDE	1	EA
7	088024417	SHIM OUTRIGGER AL .125XX1.75X18.6	2	EA
8	118024203	STEP ASSEMBLY CURBSIDE	1	EA
9	96724608	PAD DAMPENING 45200007X9X20	1	EA
10	083024465	CHANNEL CROSSMEMBER AL 456109X27 RH	1	EA
11	006324498	HINGE AL .075X1.12X1.75X21	1	EA
12	118024404	LID BATTERY ALD .125X22.25X24.82	1	EA
13	1113334	LATCH STEP	2	EA
14	084024415	RISER CORNER AL .125X3.61X3.5	2	EA
16	45200051	TRASH BIN	1	EA
17	108024201	TRANVERSE WELDMENT	1	EA
18	077024402	ANGLE FLOOR TRANVERSE	1	EA
19	40900080	STUD	6	EA
20	40900081	GROMMET HALF	6	EA
21	40900082	SPRING	6	EA
22	077050402	SHIM (BETWEEN SADDLE AND TRANVERSE ANGLE)	1	EA
23	077240433	BRACKET TRASH	1	EA
NS	1107235	MAT RUBBER RIBBED .125X30X FT	4	FT
24	100019404	TRIM TOEBOARD ALD.08X7.89X25.14 LH	1	EA



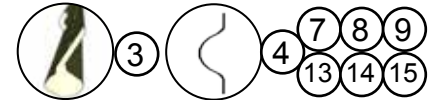
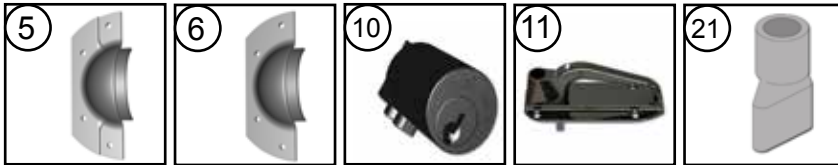
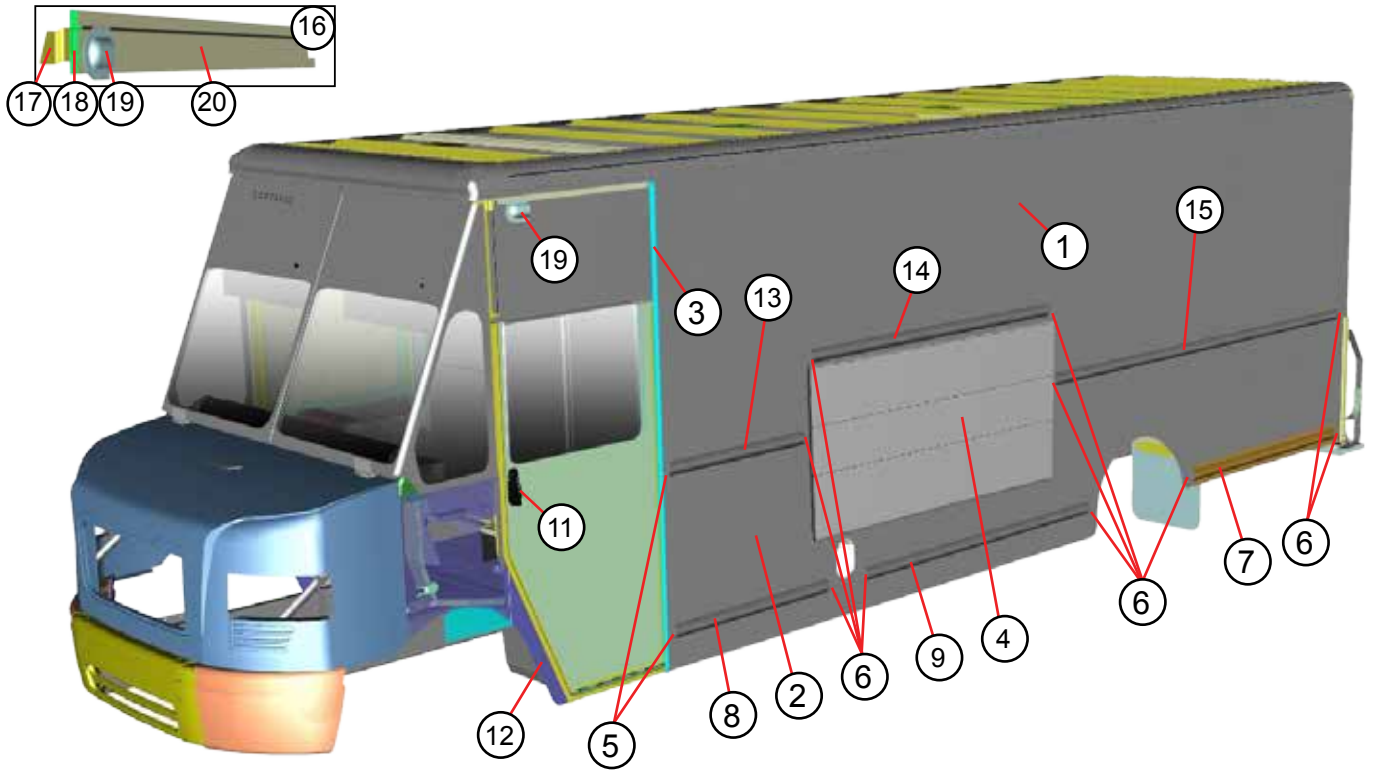
ITEM #	PART #	DESCRIPTION	QTY.	UNIT
1	47004325	SEAT VINYL BLACK 3PNT/IN W/O ARMS LH	2	EA
2	47004330	ARM REST BLACK SEAT 3PNT/IN RH	1	EA
3	47004329	ARM REST BLACK SEAT 3PNT/IN LH	1	EA
4	47004332	PEDESTAL SEAT UPPER 3PNT/IN FCC	1	EA
5	47003636	SPRING GAS SEAT HOLDER ASSEMBLY	1	EA
6	47012659	SEAT SOC/PEDESTAL BASE FRE 3PNT TILT	1	EA
7	47005319	S/BELT 3PNT/IN OG MET STRP150"	1	EA
8	47004972	SEAT HEADBACK REST CTUR BLK VNL FRE	1	EA
9	47004973	SEAT BLACK JUMP FOLDING	1	EA
10	91614300	ANGLE AL FLOOR .188X2.84X19.1	1	EA
11	47004366	S/BELT W/BOOT BLKH 3PNT OG R	1	EA
12	130070403	WASHER SEAT BASE	2	EA
NS	91614301	STIFFENER BULKHEAD FOR JUMP SEAT AL 450043X29.12	1	EA
NS	91614302	STIFFENER BULKHEAD FOR JUMP SEAT AL 450043X29.62	1	EA



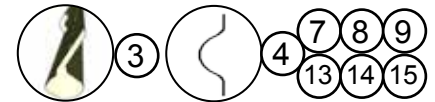
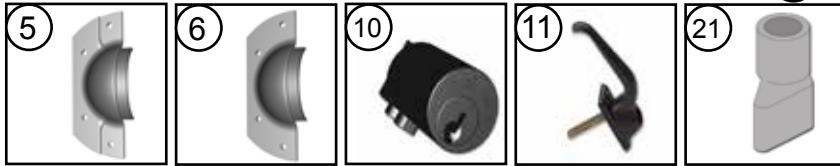
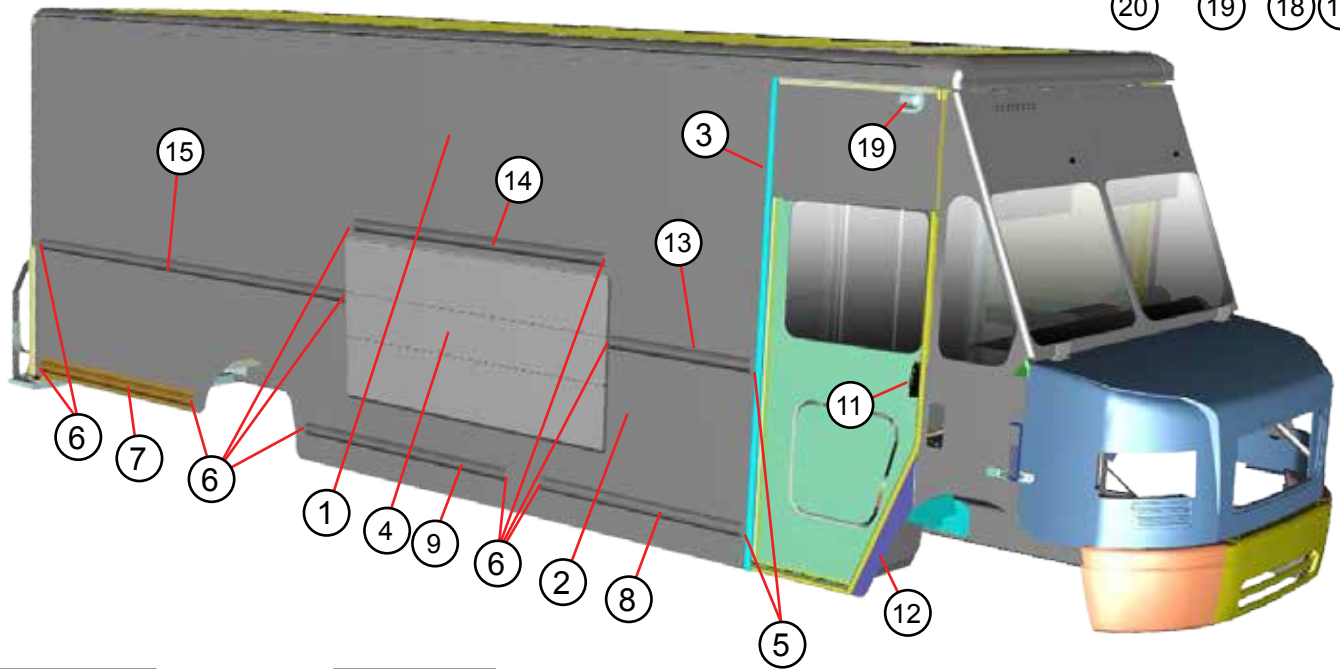
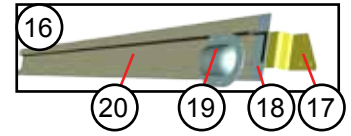
ITEM #	PART #	DESCRIPTION	QTY.	UNIT
1	001730416	ANGLE STEP AL450187X33.38	1	EA
2	05M234043	BEAM @ O/LINE AL 450394X86.38	1	EA
3	001730410	ANGLE FLOOR DROP 450303X36.62	2	EA
4	148031400	ANGLE FLOOR AL 450304X5.44 LH	1	EA
5	148031401	ANGLE FLOOR AL 450304X5.44 RH	1	EA
6	158034405	ANGLE FLOOR AL 450304X48.63 LH	2	EA
7	45061101	BEAM AL FLOOR H/D RIB 7X92.19	1	EA
8	45061301	BEAM AL FLOOR RIB 9X92.19	7	EA
9	45061202	BEAM AL FLOOR H/D RIB 8X92.19	12	EA
10	45061401	BEAM AL FLOOR H/D RIB 8.5X92.19	1	EA
11	05M234018	PLATE SUPPORT DOOR AL .125X14X14.2	1	EA
12	96730416	DOOR ACCESS AL .125X10.87X12.78	1	EA
13	40900080	STUD DZUS	2	EA
14	40900081	GROMMET HALF	2	EA
15	40900082	SPRING	2	EA
16	001734404	ANGLE W/BX AL 450018X40	2	EA
17	158035200	WHEEL BOX ASSEMBLY	2	EA
18	45061201	BEAM AL FLOOR H/D RIB 8X85.5	5	EA
19	158036200	FLOOR DROP WELDMENT 93W MT55 22'	1	EA
20	094078418	ANGLE SUPPORT AL 450523X9.88	2	EA
21	158130401	DROP SILL @ SIDE ROLL UP DOORS AL.102X5.44X87.75	2	EA



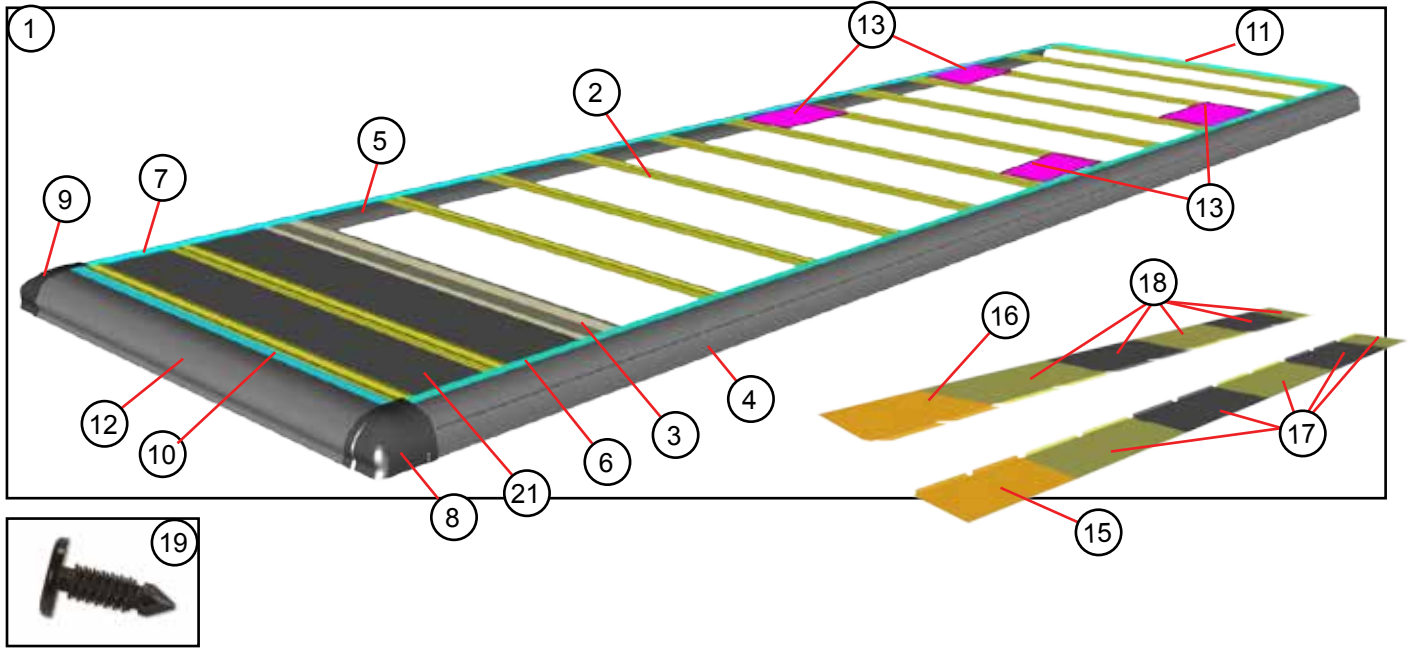
ITEM #	PART #	DESCRIPTION	QTY.	UNIT
1	148048416	STIFFENER @ DOOR POCKET HAT AL 450039X66.88	4	EA
2	158048408	STIFFENER @ WHEEL BOX AL 450039X76	12	EA
3	158048409	STIFFENER AFT W/BX AL 450595X10.72	2	EA
4	158048410	ANGLE @DROP FLOOR AL 450595X19.81	4	EA
5	158048412	STIFFENER ADJ AL450595X84	4	EA
6	138046402	SLAT HARDWOOD .75X2.62X5.92 BEVEL EDGE	14	EA
7	06M287424	STIFFENER DROP FLOOR HAT AL .125X11.8X43.14	6	EA
8	158127490	PLATE COVER AL .125X32.13X48.55 LH	1	EA
9	158127491	PLATE COVER AL .125X32.13X48.55 RH	1	EA
10	148048410	STIFFENER SIDE 91H AL 450039X84	2	EA
11	158048411	STIFFENER RUD/POCKET AL 450039X35.75	8	EA
12	138100405	FLOOR OVERLAY FBG .125X23.88X81.25	1	EA
13	158100402	FLOOR OVERLAY FBG .125X23.88X95.75	1	EA
14	138100404	FLOOR OVERLAY FBG .125X23.88X61.25	1	EA
15	158036403	PLATE FLOOR ALD .125X24X92.63	1	EA



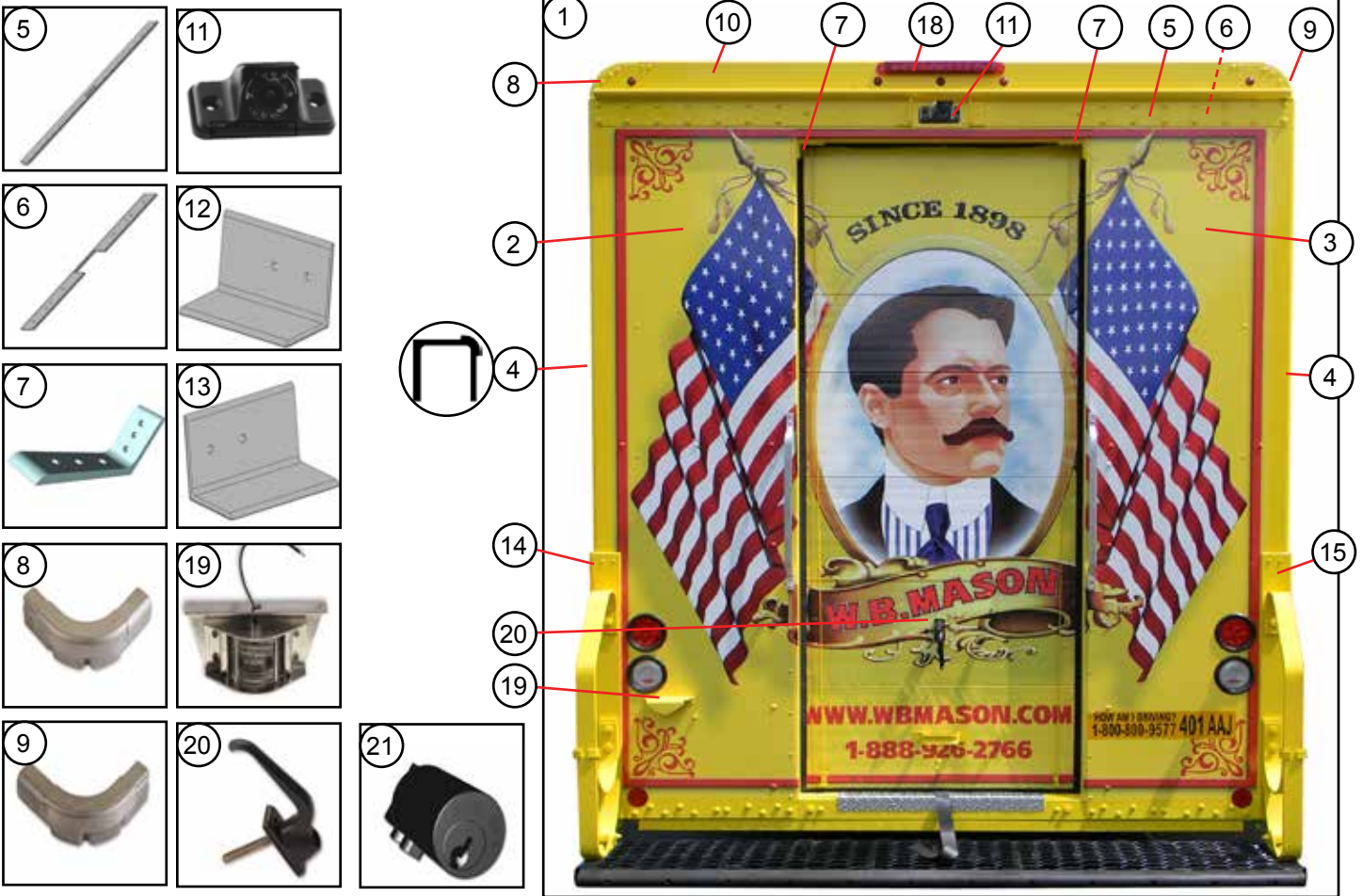
ITEM #	PART #	DESCRIPTION	QTY.	UNIT
1	158038415	SIDE UPPER AL .102X60X297.31 LH	1	EA
2	158037424	SIDE LOWER AL .125X47.79X297.31 LH	1	EA
3	148038404	POST B AL 450274X99.62 LH	1	EA
4	47005896	ROLL UP DOOR ROADSIDE 38X85.25	1	EA
5	1100800	END CAP FORWARD AL.125X2.37X5.5	2	EA
6	1100799	END CAP REAR FL AL.125X2.37X5.5	10	EA
7	05M234049	RUB/RAIL LOWER REAR AL 450002X70	1	EA
8	096110402	RUB/RAIL LOWER FRONT AL450002X46 LH	1	EA
9	156110400	RUB/RAIL LOWER MID AL450002X114.5 LH	1	EA
10	47001194	KEY CYLINDER REMOVABLE	1	EA
11	47000689	HANDLE BLACK NO CYLINDER	1	EA
12	098022400	CAB SKRT TAIL AL.07X5.76X36.83 LH	1	EA
13	148039401	RUB/RAIL UPPER FRONT AL450002X39.48	1	EA
14	158038408	DRIP RAIL UPPER MID AL450006X83.88	1	EA
15	158039409	RUB/RAIL UPPER REAR AL450002X162	1	EA
16	097042000	STIFFENER HEADER INSTALLATION (ITEMS 17,18,19,20)	1	EA
17	96742302	CLIP AL Z .102X3X9.57	1	EA
18	45100074	CAP RAIL END	1	EA
19	47008533	VENT CAP PLASTIC END	1	EA
20	083042400	STIFFENER HEADER AL450328X73.75 ROADSIDE	1	EA
21	44001006	DRAIN RUBBER KAZOO FOR PIPE	1	EA



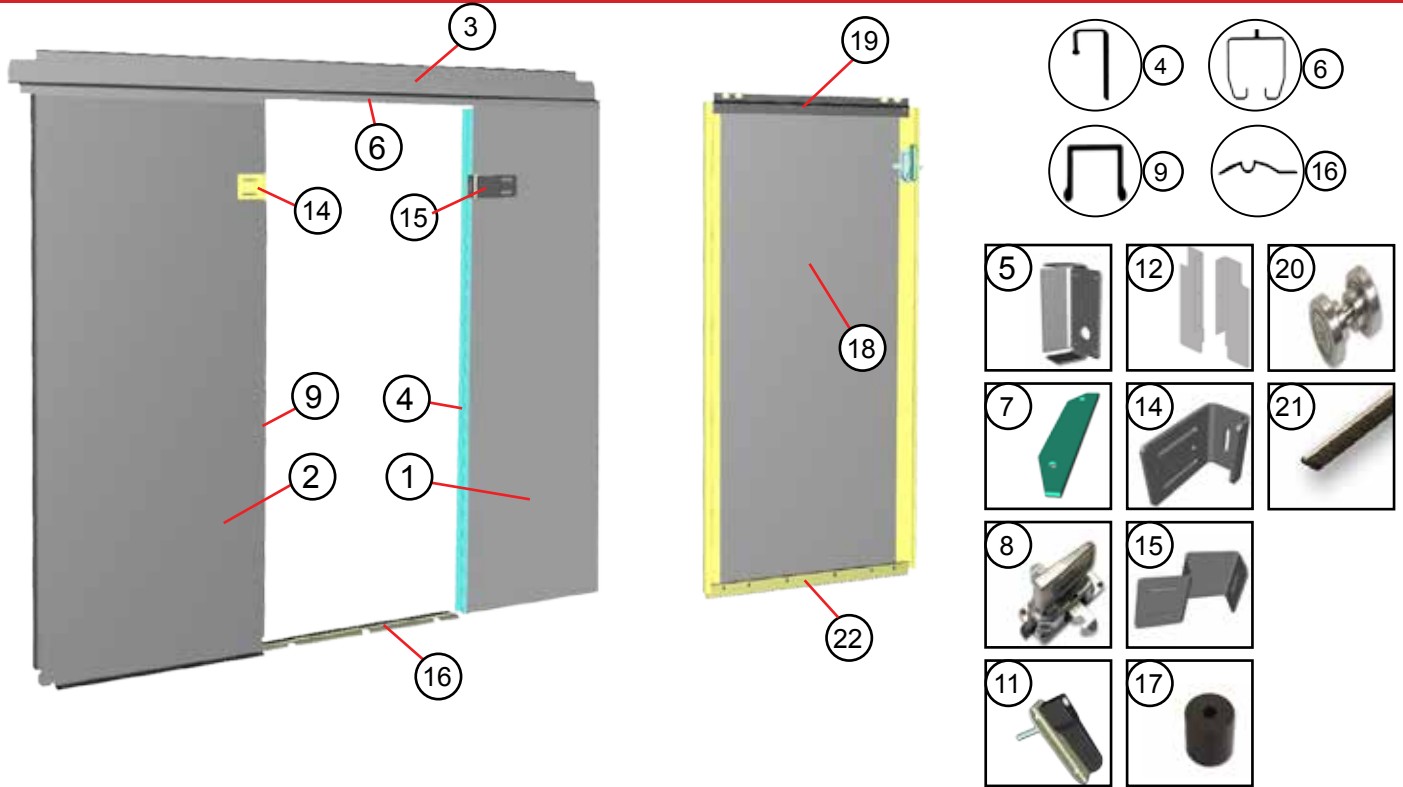
ITEM #	PART #	DESCRIPTION	QTY.	UNIT
1	158038415	SIDE UPPER AL .102X60X297.31 RH	1	EA
2	158037425	SIDE LOWER AL .125X47.79X297.31 RH	1	EA
3	148038405	POST B AL 450274X99.62 RH	1	EA
4	47005896	ROLL UP DOOR CURBSIDE 38X85.25	1	EA
5	1100800	END CAP FORWARD AL.125X2.37X5.5	2	EA
6	1100799	END CAP REAR FL AL.125X2.37X5.5	10	EA
7	05M234049	RUB/RAIL LOWER REAR AL 450002X70	1	EA
8	096110400	RUB/RAIL LOWER FRONT AL450002X59 RH	1	EA
9	156110401	RUB/RAIL LOWER MID AL 450002X103 RH	1	EA
10	47001194	KEY CYLINDER REMOVABLE	1	EA
11	47000689	HANDLE BLACK NO CYLINDER	1	EA
12	098022401	CAB SKRT TAIL AL.07X5.76X36.83 RH	1	EA
13	148039401	RUB/RAIL UPPER FRONT AL450002X39.48	1	EA
14	158038408	DRIP RAIL UPPER MID AL450006X83.88	1	EA
15	158039409	RUB/RAIL UPPER REAR AL450002X162	1	EA
16	127042000	STIFFENER HEADER INSTALLATION (ITEMS 17,18,19,20)	1	EA
17	96742302	CLIP AL Z .102X3X9.57	1	EA
18	45100074	CAP RAIL END	1	EA
19	47008533	VENT CAP PLASTIC END	1	EA
20	083042401	STIFFENER HEADER AL450328X73.75 CURBSIDE	1	EA
21	44001006	DRAIN RUBBER KAZOO FOR PIPE	1	EA



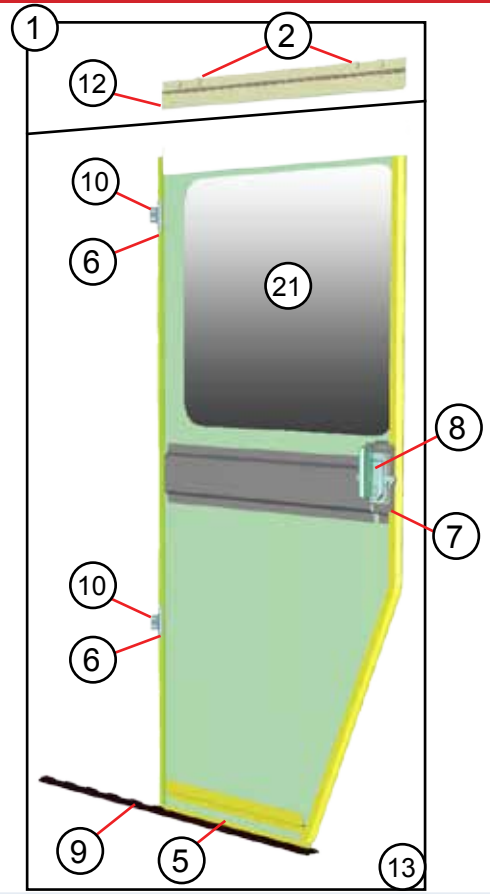
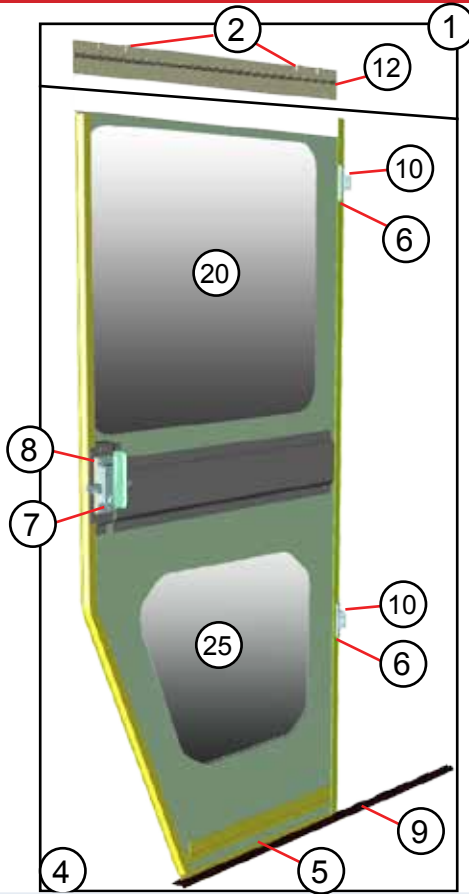
ITEM #	PART #	DESCRIPTION	QTY.	UNIT
1	096010002	ROOF AL OR FBG ASSEMBLY 21'4"93W D/FLR	1	EA
2	45601603	ROOF BOW STEEL 16GA SEC456016 X89.12	14	EA
3	118010402	ROOF BOW @ O/LINE 14GA GLNX9.54X89.12	1	EA
4	118010412	RAIL ROOF 24' AL456144X333.25 LH	1	EA
5	118010413	RAIL ROOF 24' AL456144X333.25 RH	1	EA
6	118010414	INTERLINK ROOF RAIL AL450140X333.25 LH	1	EA
7	118010415	INTERLINK ROOF RAIL AL450140X333.25 RH	1	EA
8	077100400	CORNER AL CAST ROOF LH	1	EA
9	077100401	CORNER AL CAST ROOF RH	1	EA
10	89310506	INTERLOCK ROOF NOSE AL 45014X82.38	1	EA
11	89310507	INTERLOCK RAIL TRANSOM AL 450140X79.88	1	EA
12	083010400	NOSE 93W AL 456107X82.5	1	EA
13	158010426	PANEL ROOF SUPPORT AL .102X18X25.04	4	EA
NS	158010425	SKIN FBG ROOF	27.98	FT
CARGO ROOF LINER				
15	083011500	LNR RF EMB .023X29.65X49 LH	1	EA
16	083011501	LNR RF EMB .023X29.65X49 RH	1	EA
17	083011502	LNR 49' EMB .023X29.65X49 LH	5	EA
18	083011503	LNR 49' EMB .023X29.65X49 RH	5	EA
19	47006610	CLIP PLASTIC FLAT HEAD .45HEADX.64	180	EA
NS	1109001	INSULATION FBG 1X48X100FT	29	FT
CAB ROOF LINER				
21	118011402	LNR ROOF CAB 452100X37.12X86.75	1	EA
NS	100011400	POLYST FIL RFLNR4200200 4X22.5	3	EA
NS	1109001	INSULATION FBG 1X48X100FT	7.25	FT
19	47006610	CLIP PLASTIC FLAT HEAD .45HEADX.64	52	EA



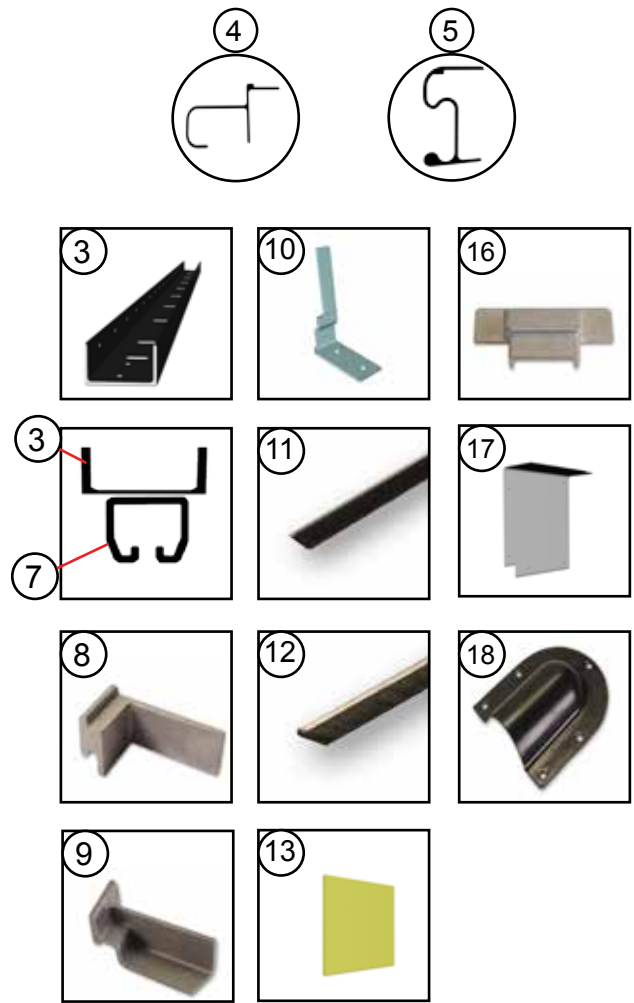
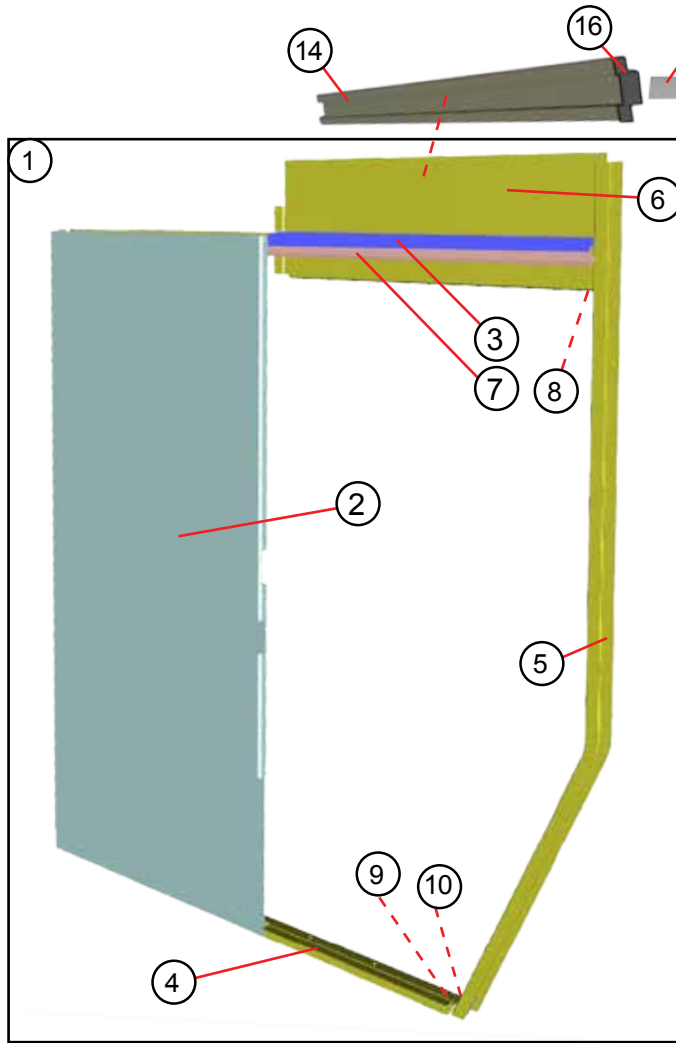
ITEM #	PART #	DESCRIPTION	QTY.	UNIT
1	148053200	BACK ASSEMBLY 91H93W 38" RUD D/FLR	1	EA
2	148053401	PANEL BACK AL.188X30.79X101 LH	1	EA
3	148053402	PANEL BACK AL.188X30.79X101 RH	1	EA
4	148053400	POST JAMB AL450359X92.85	2	EA
5	007750408	EXTENSION TRANSOM AL .125X5.86X85.88	1	EA
6	158053411	SPACER SHIM AL .188X1.88X39.44	1	EA
7	93181302	ANGLE CLIP HEADER AL 450198X1	2	EA
8	45100098	CORNER AL CAST ROOF REAR LH	1	EA
9	45100099	CORNER AL CAST ROOF REAR RH	1	EA
10	158053410	TRANSOM AL450352X91.63	1	EA
11	48200141	CAMERA BACKUP CLR BLLT	1	EA
12	137094401	GUARD CAM AL450523X3.25 LH	1	EA
13	137094402	GUARD CAM AL450523X3.25 RH	1	EA
14	118050409	ANGLE REINFORCEMENT OUTTER AL 450176X37.69	1	EA
15	118050410	ANGLE REINFORCEMENT OUTTER AL 450176X37.69	1	EA
NS	118050407	REINFORCEMENT INNER AL.188X9.35X35.13 LH	1	EA
NS	118050408	REINFORCEMENT INNER AL.188X9.35X35.13 RH	1	EA
18	46001905	LAMP AUX S/LH+RH TURN BAR	1	EA
19	1111001	LAMP LICENSE PLATE	1	EA
20	47001176	HANDLE REAR BLACK NO CYL	1	EA
21	47001194	HANDLE CYL REMOVABLE	1	EA



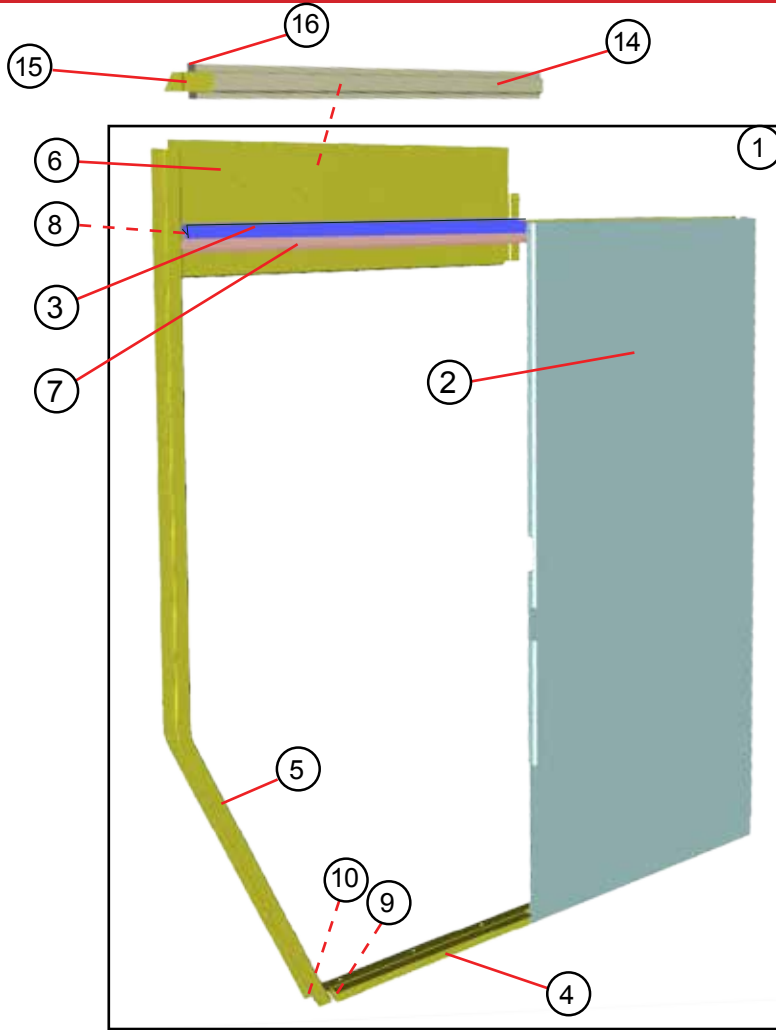
ITEM #	PART #	DESCRIPTION	QTY	UNIT
1	148070411	PANEL BULKHEAD AL.102X30.37X81.38 LH	1	EA
2	148070412	PANEL BULKHEAD AL.102X28.12X81.38 RH	1	EA
3	148070415	ZEE HEADER BULKHEAD AL.102X14.78X92.41	1	EA
4	107070405	CHANNEL BULKHEAD LH ALE450502X76.15	1	EA
5	088070433	SPACER DOOR BULKHEAD AL .125X4.6X10.02	1	EA
6	088070256	TRACK DOOR ASSEMBLY 30" CTR SLID	1	EA
7	06M202043	SHIM HANDLE DOOR AL .125X1X7	1	EA
8	1113016	LOCK MECH LK INR D/S KAS 4002-14	1	EA
9	107070407	JAMB BULKHEAD DOOR ALE450326X78.37	1	EA
10	088070482	SPACER BULKHEAD 1101200X2.25	2	EA
11	47000996	HANDLE BULKHEAD DOOR BLACK	1	EA
12	148070413	PLATE BULKHEAD AL.055X3.56X12.3 RH	1	EA
12	148070414	PLATE BULKHEAD AL.055X3.56X12.3 LH	1	EA
14	088070431	BRACKET STIKER STEEL 7GAX3.5X6.32 LH	1	EA
15	088070432	BRACKET STRIKER STEEL 7GAX3.5X11.77 RH	1	EA
16	96770316	GUIDE DOOR FLOOR AL 450414X47.88	1	EA
17	44002011	BUMPER RUBBER	3	EA
18	148070202	DOOR ASSEMBLY BULKHEAD N/WDO UPR HNDL POS	1	EA
19	148070203	HANGER ASSEMBLY W/SEAL BHD 3.34X30.13	1	EA
20	47006595	BEARINGS SR311-214 & RT311-278	4	PR
21	44008050	SEAL BRUSH TYPE B 1X83.9	1	EA
22	148070419	WEAR STRIP BULKHEAD DOOR BOTTOM AL452002X32.35	1	EA
23	148069402	STIFFENER JUMP SEAT AL450043X79	1	EA



ITEM #	PART #	DESCRIPTION	QTY	UNIT
1	96760203	HANGER ASSEMBLY	1	EA
2	47006595	BEARINGS	4	PR
3	44008050	SEAL BRUSH TYPE B 1X83.9	1	EA
4	083060202	DOOR ASSEMBLY CURBSIDE	1	EA
5	98760306	WEAR STRIP 450008X25.75	1	EA
6	45200206	SPACER ANTI RATTLE CLIP	2	EA
7	1113016	LATCH MECHINISM	1	EA
8	087181	SPACER LATCH	1	EA
9	47002766	GUIDE NYLON DOOR MLDD LOWER X51.44	1	EA
10	96760318	CLIP ANTI RATTLE AL.188X2X2.7	2	EA
11	44004104	SEAL RUBBER RS FWD DR X89.25	1	EA
12	96760307	PLATE DOOR HANGER	1	EA
13	083060201	DOOR ASSEMBLY ROADSIDE	1	EA
14	1107270	SEAL TR SCHLEG1426-X999	8	FT
15	45100093	STRIKER BRONZE D/S RR	2	EA
16	45100163	STRIKER BRONZE D/S RR	1	EA
17	44002011	BUMPER RUBBER	1	EA
18	47000689	HANDLE SIDE BLACK	1	EA
19	47001194	REMOVABLE CYCLINDER	1	EA
20	45800062	WINDOW SLIDING ROADSIDE (FILLER STRIP 7.68 FT - 44004200)	1	EA
21	45800063	WINDOW SLIDING CURBSIDE (FILLER STRIP 7.68 FT - 44004200)	1	EA
22	083060409	PANEL DOOR INNER LOWER AL .07X39.4X40.02 RH (083060406 - LH)	1	EA
23	45100094	BRACKET STRIKER CAST D/S	1	EA
24	44004262	WEATHER STRIP FLUSH MOUNTING X93.25	1	EA
25	1111637	GLASS SAFETY RH DOOR .25 84456-10	1	EA



ITEM #	PART #	DESCRIPTION	QTY.	UNIT
1	148041200	DOOR POCKET ASSEMBLY	1	EA
2	109041400	PANEL D/P AL.102X42.26X87.65LH	1	EA
3	96741302	CHANNEL HEADER AL 450256X75 LH	1	EA
4	98741352	NOSE STEP AL 450247X61.29 LH	1	EA
5	148041402	DOOR POST AL 450294X102.43 LH	1	EA
6	148041400	PANEL HEADER AL.102X19.49X42.37 LH	1	EA
7	96741202	TRACK ASSEMBLY UPPER	1	EA
8	45100048	GUSSET HEADER CHANNEL TO DOOR POST	1	EA
9	45100104	DOOR POST CASTING LOWER LH	1	EA
10	001741407	REINFORCEMENT BRACKET PST AL.125X1.53X8.04 LH	1	EA
11	44004060	SEAL BRUSH TYPE C 1.5X82	1	EA
12	44008050	SEAL BRUSH TYPE B 1X83.9	1	EA
13	45900001	PLUG WD RB/RL .75X1.12X2.9	1	EA
14	083042400	STIFFENER HEADER AL450328X73.75 LH	1	EA
15	96742302	CLIP AL ZEE .102X3X9.57	1	EA
16	45100074	CAP RAIL END	1	EA
17	96741354	COVER DOOR POCKET AL.055X6.75X12.16 LH	1	EA
18	47008533	CAP PLASTIC END VENT	1	EA
NS	158041401	DRIP EDGE OVER WINDOW AL450006X38.8 LH	1	EA



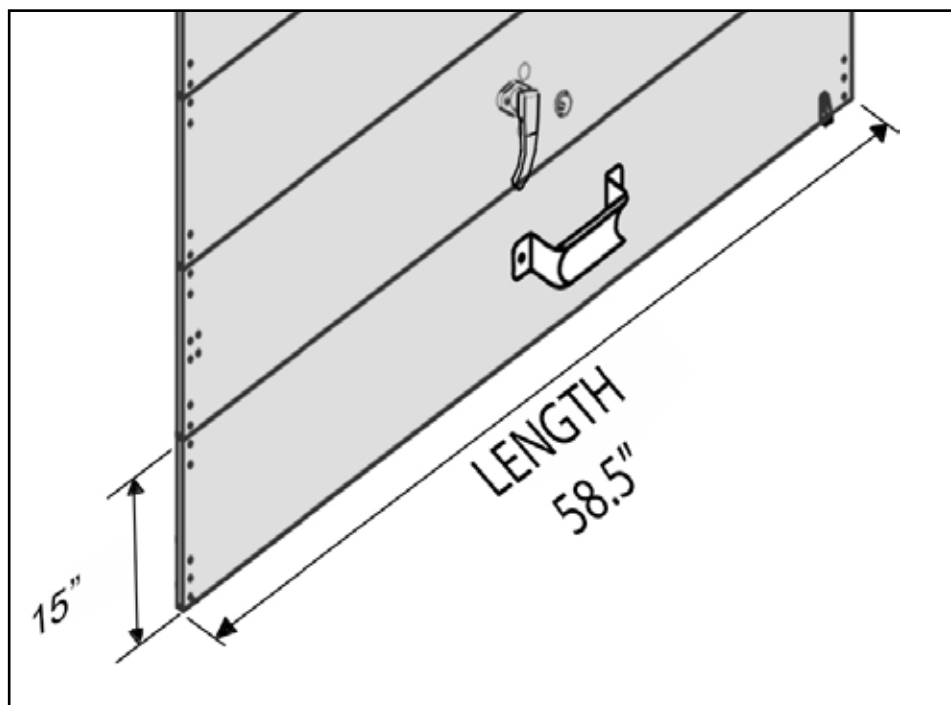
ITEM #	PART #	DESCRIPTION	QTY.	UNIT
1	148041201	DOOR POCKET ASSEMBLY	1	EA
2	109041401	PANEL DOOR POCKET AL.102X42.26X87.65RH	1	EA
3	96741303	CHANNEL HEADER AL 450256X75 RH	1	EA
4	98741353	NOSE STEP AL 450247X61.29 RH	1	EA
5	148041403	DOOR POST AL 450294X108.43RH	1	EA
6	148041401	PANEL HEADER AL.102X19.49X42.37 RH	1	EA
7	96741202	TRACK ASSEMBLY UPPER	1	EA
8	45100049	GUSSET HEADER CHANNEL TO DOOR POST	1	EA
9	45100105	DOOR POST CASTING LOWER	1	EA
10	001741408	REINFORCEMENT BRACKET AL.125X1.53X8.04 RH	1	EA
11	44004060	SEAL BRUSH TYPE C 1.5X82	1	EA
12	44008050	SEAL BRUSH TYPE B 1X83.9	1	EA
NS	45900001	PLUG WD RUBRAIL .75X1.12X2.9	1	EA
14	083042401	STIFFENER HEADER AL450328X73.75 RH	1	EA
15	96742302	CLIP AL Z .102X3X9.57	1	EA
16	45100074	CAP RAIL END	1	EA
17	96741355	COVER DOOR POCKET AL.055X6.75X12.16 RH	1	EA
18	47008533	CAP PLASTIC END VENT	1	EA
NS	45900001	PLUG WD RB/RL .75X1.12X2.9	1	EA
NS	158041402	DRIP EDGE OVER WINDOW AL450006X38.8 RH	1	EA

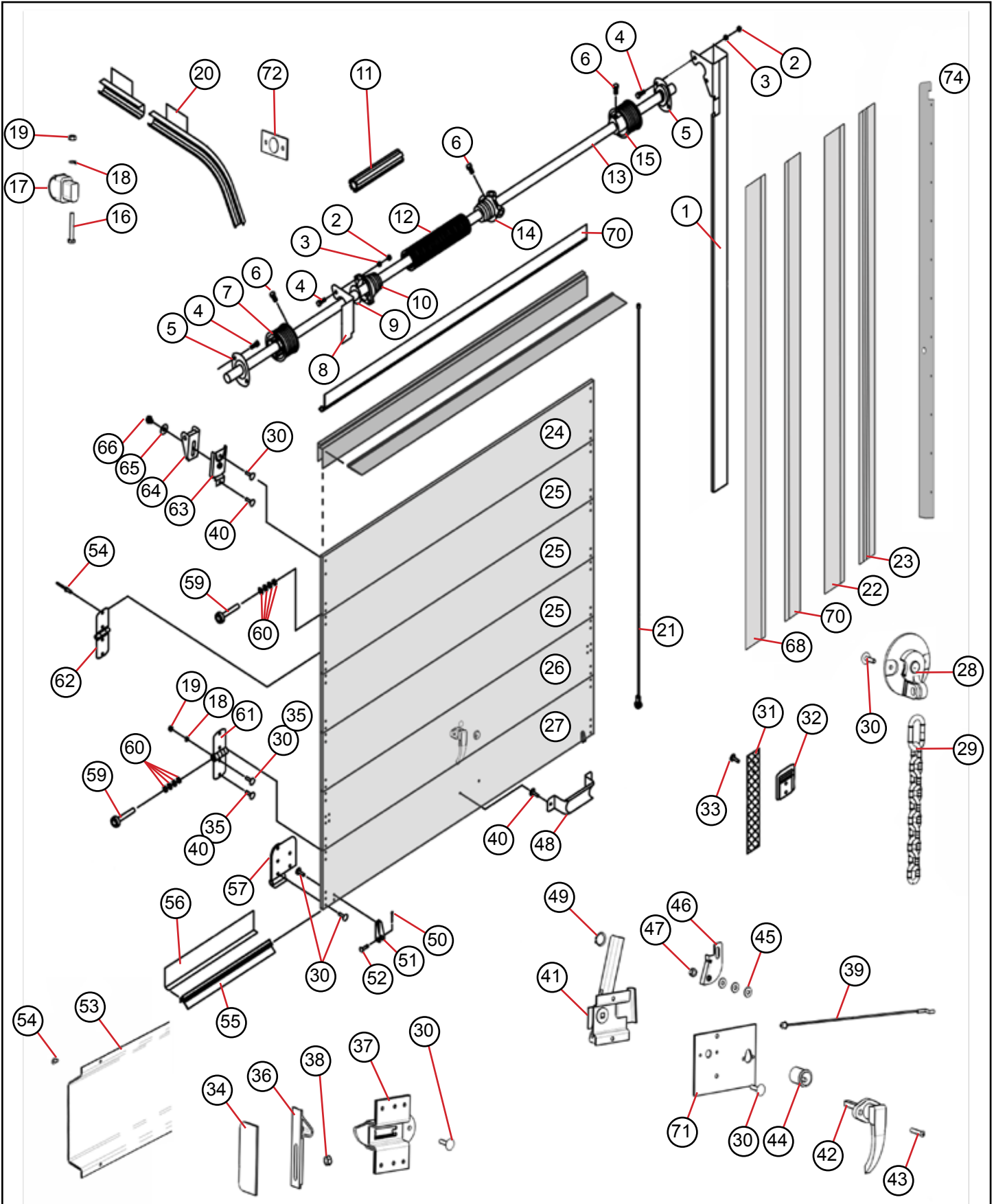
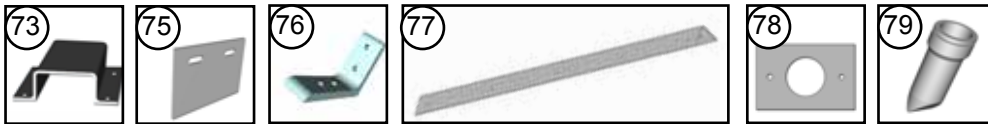


ROLL-UP DOOR SERIAL NUMBER LOCATION

WHEN ORDERING PARTS FOR ROLL-UP DOORS,
PLEASE PROVIDE THE FOLLOWING INFORMATION.
THE SERIAL NUMBER LOCATED ON THE INTERIOR TOP PANEL ROADSIDE EDGE.
THE LENGTH AND HEIGHT OF THE DOOR PANEL(S) TO BE ORDERED.

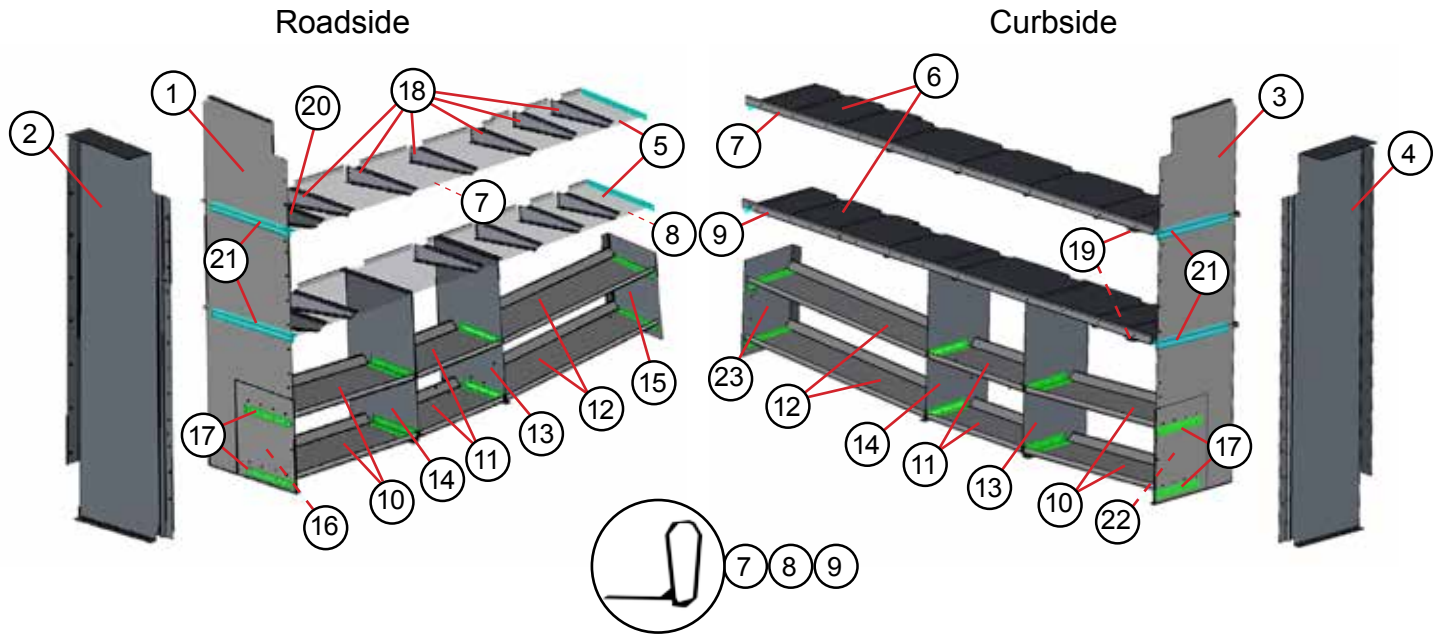
IN THE EVENT OF A DAMAGED, UN-READABLE OR MISSING SERIAL NUMBER,
PLEASE TRY TO PROVIDE THE COMPOSITION DETAILS OF THE DOOR PANEL.
(PLASTIC COATED, ALUMINUM CLAD, PLYWOOD, ETC.)



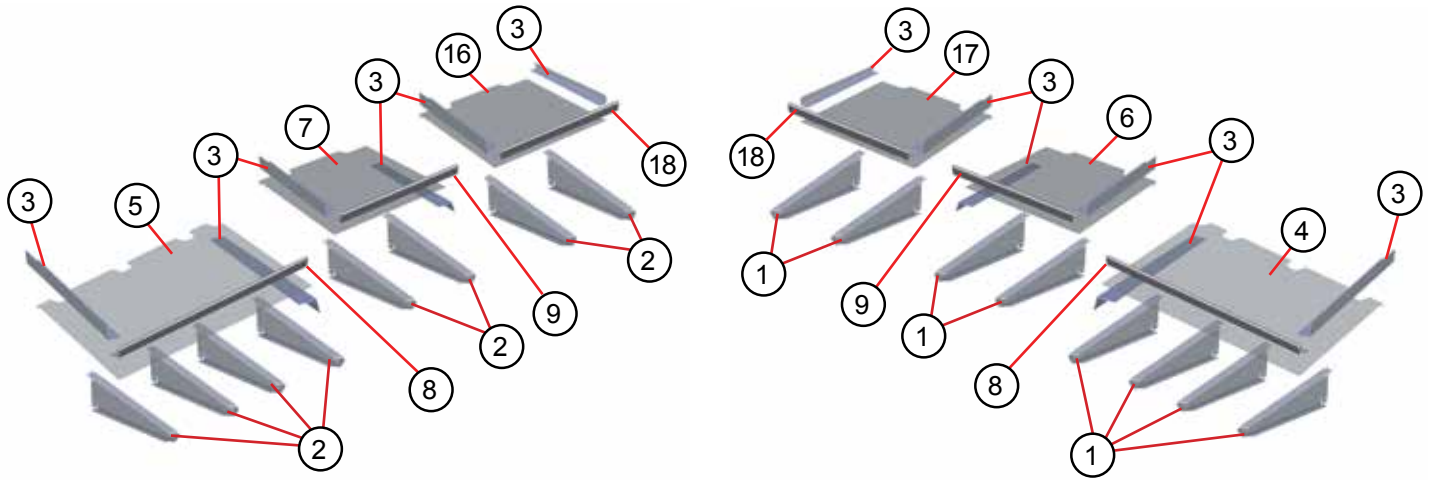


ITEM #	PART #	DESCRIPTION	QTY.	UNIT
	47005895	ROLL-UP DOOR WEATHERTITE 38.25X93.15	1	EA
N/S	005774400	MOUNTING ANGLE	2	EA
1	PER S/N	VERTICAL TRACK ASM.- R/H (CURBSIDE)	1	EA
N/S	PER S/N	VERTICAL TRACK ASM.- L/H (ROADSIDE)	1	EA
2	N/A	HEX NUT - 5/16" NC	6	EA
3	N/A	LOCK WASHER - 5/16"	6	EA
4	N/A	HEX HEAD BOLT - 5/16" NC X 7/8"	6	EA
5	61380	BEARING ASSEMBLY	2	EA
6	47009906	HEX HEAD SET SCREW - 3/8" NC X 7/8"	6	EA
7	1116524	CABLE DRUM - L/H (ROADSIDE)	1	EA
8	61379	SPRING ANCHOR BRACKET	1	EA
9	1116586	BEARING - SPRING ANCHOR PLUG	1	EA
10	47003640	SPRING ANCHOR PLUG - 2 1/2" I.D. SPRING	1	EA
11	N/A	FILLER PLUG - 2 1/2" I.D. SPRING	1	EA
12	47003641	SPRING - 2 1/2" I.D. - #5 X 30" LONG	1	EA
13	47003642	COUNTERBALANCE SHAFT - 58 3/4" LONG	1	EA
14	47003643	SPRING WINDING PLUG - 2 1/2" I.D. SPRING	1	EA
15	1116523	CABLE DRUM - R/H (CURBSIDE)	1	EA
16	N/A	HEX HEAD BOLT - 1/4" NC X 1 3/4"	2	EA
17	47003644	HEAD PROTECTOR	2	EA
18	N/A	LOCK WASHER - 1/4" I.D.	14	EA
19	N/A	HEX NUT - 1/4" NC	14	EA
20	PER S/N	HORIZONTAL TRACK - R/H AND L/H	1	EA
21	61384	CABLE ASSEMBLY - 110" LONG	1	PR
22	47106602	BRUSH SIDE SEAL - 1" X 85.75" LONG	2	EA
23	47003648	BRUSH RETAINER - SIDE SEAL - 87" LONG	2	EA
24	PER S/N	WEATHERTITE TOP PANEL - 10 1/8"	1	EA
25	PER S/N	WEATHERTITE INTERM PANEL - 15"	3	EA
26	PER S/N	WEATHERTITE INTERM LOCK PANEL ASM. -15"	1	EA
27	PER S/N	WEATHERTITE BOTTOM PANEL - 15"	1	EA
28	47003653	SAFETY CHAIN LOCK ASSEMBLY	1	EA
29	76431026	STAINLESS STEEL SAFETY CHAIN W/XM - 3343 SLEEVE	1	EA
30	N/A	RIVET - STAINLESS STEEL - 1 1/8"	28	EA
31	47003674	PULL STRAP - 62" LONG (BLACK)	1	EA
32	47000827	PULL STRAP RETAINER	1	EA
33	N/A	SPLINED CARRIAGE BOLT - 1/4" NC X 1 1/2"	2	EA
34	47003675	CATCH MOUNTING PLATE - R/H (CURBSIDE)	1	EA
N/S	47003676	CATCH MOUNTING PLATE - L/H (ROADSIDE)	1	EA
35	N/A	STEP BOLT - 1/4" NC X 1 1/4" STAINLESS STEEL	8	EA
36	47003677	LOCK CATCH	2	EA
37	47000080	END LATCH - R/H (CURBSIDE) (47000081 - ROADSIDE)	1	EA
38	N/A	FLANGE LOCK NUT - 5/16" NC	4	EA

ITEM #	PART #	DESCRIPTION	QTY.	UNIT
39	47003678	LOCK CABLE ASSEMBLY - 24 - 9/16" LONG	2	EA
40	N/A	RIVET - STAINLESS STEEL - 1" LONG	46	EA
41	47003679	CENTER CONTROL ASSEMBLY	1	EA
42	1116535	PLAIN "L" HANDLE	1	EA
43	N/A	OVAL HEAD MACHINE SCREW - #10 - 32 X 1 1/4"	2	EA
44	47003680	BEST CYLINDER KIT - (NO CORE OR KEYS)	1	EA
45	N/A	FLAT WASHER - 1/4" I.D.	3	EA
46	47000082	TOP CAM CATCH	1	EA
47	N/A	LOCK NUT - 1/4" NC	1	EA
48	1116536	LIFT HANDLE	1	EA
49	47003681	RETAINING RING	1	EA
50	N/A	COTTER PIN - 3/32" DIA.	2	EA
51	47009923	CABLE ANCHOR BRACKET	2	EA
52	1116538	CABLE ANCHOR PIN	2	EA
53	47003682	LOCK COVER - ALUMINUM - 58 1/4" LONG	1	EA
54	N/A	1/4" POP RIVET	30	EA
55	47003683	BOTTOM SEAL - HEAVY DUTY - 58 3/4" LONG	1	EA
56	47003684	BOTTOM ANGLE - 53 3/4" LONG	1	EA
57	47003685	HEAVY DUTY BOTTOM FIXTURE - R/H (CURBSIDE)	1	EA
N/S	47003694	HEAVY DUTY BOTTOM FIXTURE - L/H (ROADSIDE)	1	EA
58	N/A	RIVET - STAINLESS STEEL - 1 1/4" LONG	4	EA
59	61360	ROLLER - SEALED	14	EA
60	47009917	SPACER WASHER - ROLLER	16	EA
61	61419	END HINGE	10	EA
62	61397	CENTER HINGE	10	EA
63	1116531	BASE - ADJUSTABLE TOP FIXTURE	2	EA
64	1116530	SLIDE - ADJUSTABLE TOP FIXTURE	2	EA
65	N/A	FLAT WASHER - 3/8" I.D.	2	EA
66	47009912	E-LOK BOLT - 3/8" NC	2	EA
67	PER S/N	HEAD SEAL RETAINER - 58 3/4" LONG	1	EA
68	PER S/N	BRUSH SIDE SEAL - 1" BRUSH	2	EA
N/S	PER S/N	BRUSH HEAD SEAL - 1-1/2" BRUSH	1	EA
69	N/A	DRIVE RIVET - 3/16" X 15/32" LONG	4	EA
70	47003690	HEAD SEAL RETAINER - 54" LONG	1	EA
N/S	47003691	SIDE RETAINER 86" -LONG	1	EA
71	47003692	BACK PLATE-TWO-POINT LOCK W/BEST CYLINDER	1	EA
72	47003693	TRACK CLOSE-OUT	2	EA
73	98775400	BRACKET SPACER AL .125X4X8.73	1	EA
74	148130400	SUPPORT TRACK AL.125X5.5X96.05	2	EA
75	83024136	PLATE MOUNTING TRACK STEEL 11GAX2.5X4	6	EA
76	92750304	ANGLE CLIP RUD AL 450196X1.5	2	EA
NS	098130400	SHIM RUD AL.25X3X41	1	EA
77	099001455	KICK PLATE DROP FLOOR ALD.08X3.85X28	1	EA
78	97435300	PLATE MOUNTING DRAIN AL .102X2.5X3.75	2	EA
79	47006607	VALVE DRAIN NAV #1675955C1	2	EA

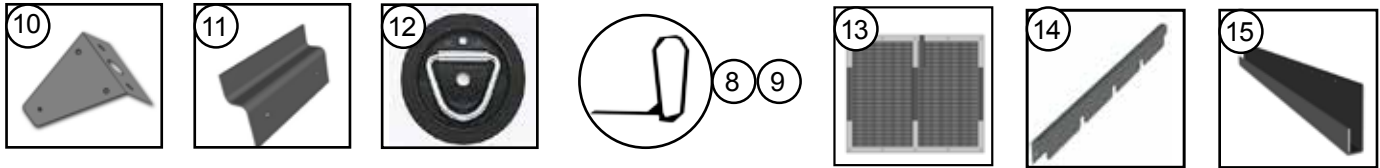


ITEM #	PART #	DESCRIPTION	QTY.	UNIT
1	158105419	PANEL END AL.125X24.08X93.63LH	1	EA
2	158105421	PANEL END AL.102X28.47X99.64LH	1	EA
3	158105420	PANEL END AL.125X24.08X93.63RH	1	EA
4	158105422	PANEL END AL.102X28.47X99.64RH	1	EA
5	158105416	PANEL SHELF AL.102X28.44X143.13LH	2	EA
6	158105417	PANEL SHELF AL.102X28.44X143.13RH	2	EA
7	158105423	SHELF LIP AL450589X143.13	2	EA
8	158105424	SHELF LIP AL450589X143.13	1	EA
9	158105425	SHELF LIP AL450589X143.13	1	EA
10	158105406	PANEL SHELF AL.188X19.81X43.25LH	4	EA
11	158105408	PANEL SHELF AL.188X19.81X36LH	4	EA
12	158105410	PANEL SHELF AL.188X19.81X64.44LH	4	EA
13	158105400	SUPPORT SHELF AL.188X20.5X41.13LH	2	EA
14	158105401	SUPPORT SHELF AL.188X20.5X41.13RH	2	EA
15	158105403	PANEL END FWD AL.188X19.65X24LH	1	EA
16	158105404	PANEL END AFT AL.188X19.65X22.16	1	EA
17	158105437	ANG SUPPORT AL.188X4.31X12.63	16	EA
18	125105416	ARM SHELF AL.125X7.36X21.16LH	11	EA
NS	125105417	ARM SHELF AL.125X7.36X21.16RH	11	EA
19	158105412	SHELF ARM AL.125X8.56X25.67LH	2	EA
20	158105413	SHELF ARM AL.125X8.56X25.67RH	2	EA
21	074024400	STIFFENER TR/FL AL 450180X23	8	EA
22	158105438	PANEL END AFT AL.188X19.65X22.16	1	EA
23	158105405	PANEL END FWD AL.188X19.65X24LH	1	EA

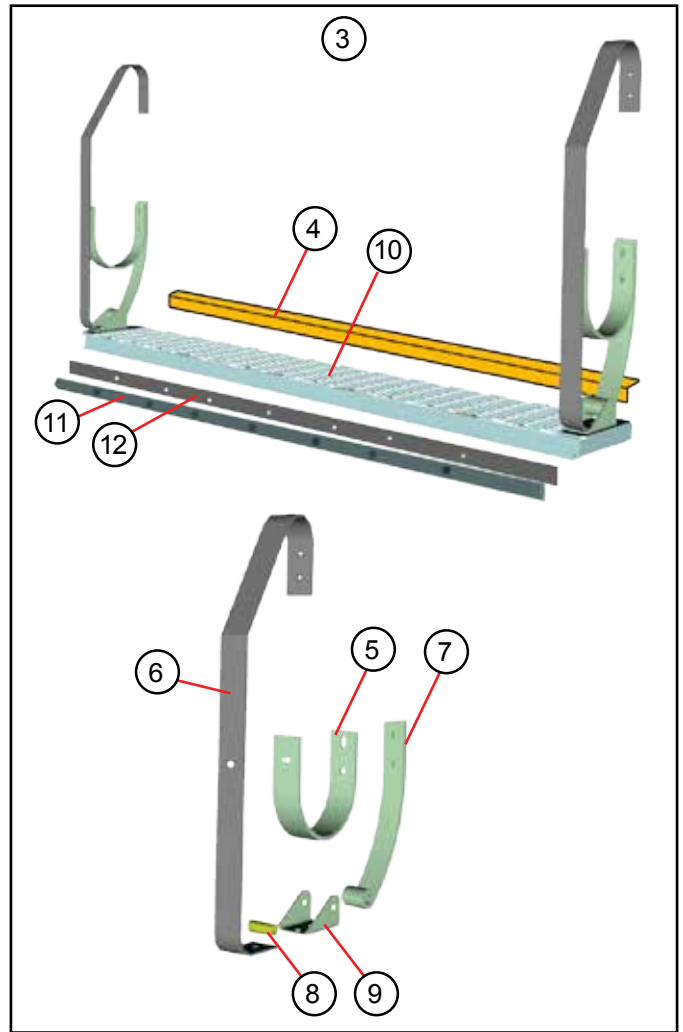
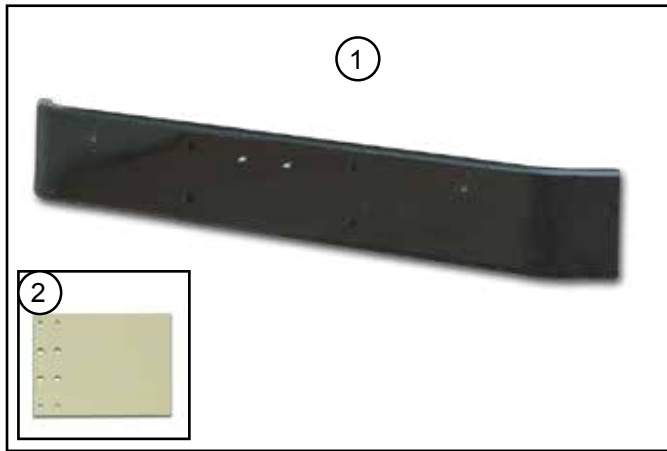


ROADSIDE

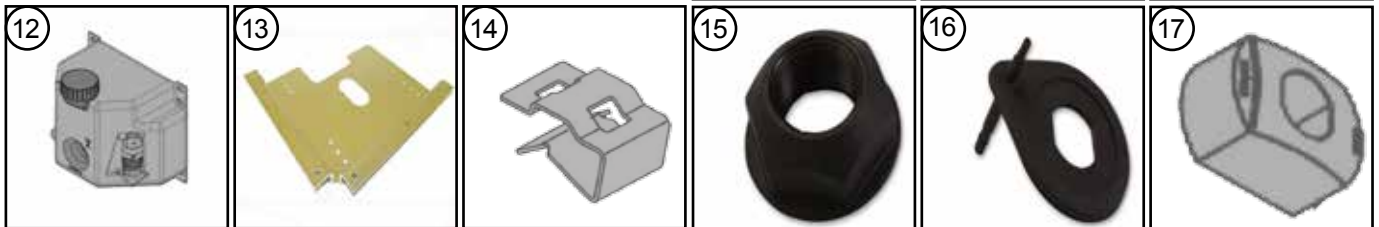
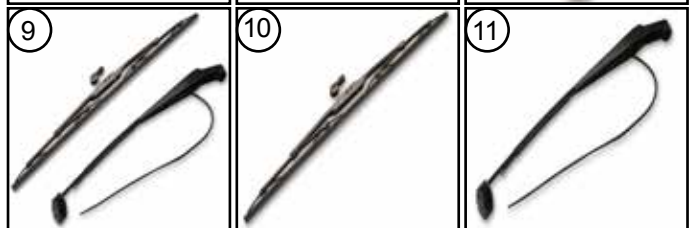
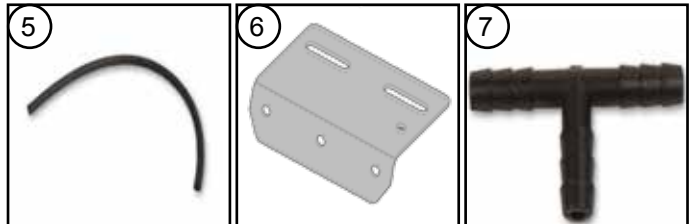
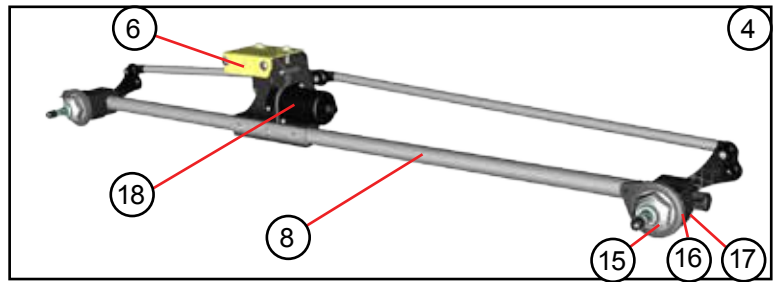
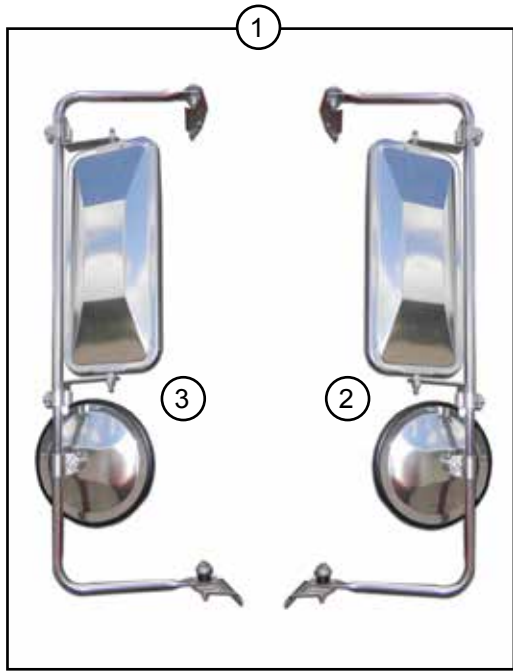
CURBSIDE



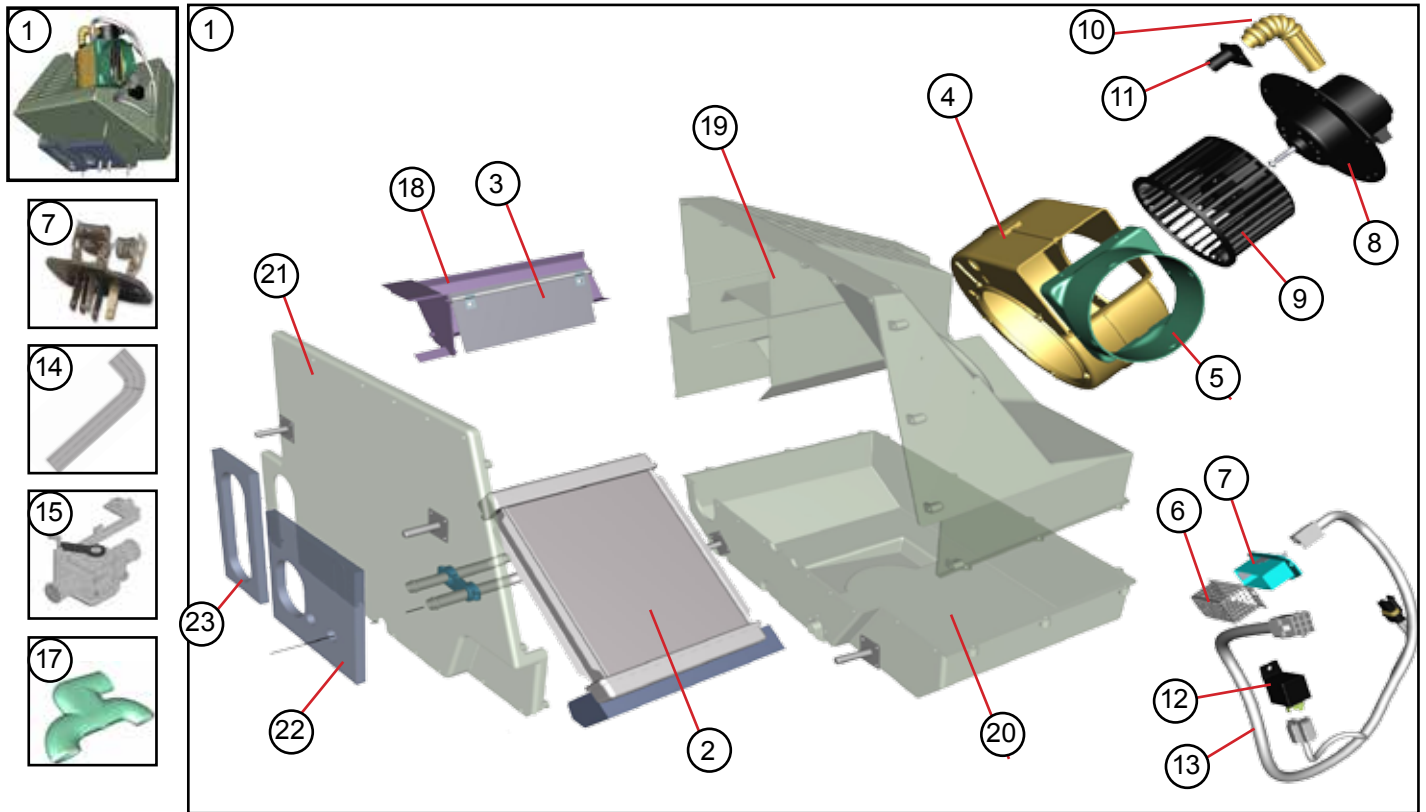
ITEM #	PART #	DESCRIPTION	QTY.	UNIT
1	093105400	SUPPORT SHELF AL.125X7.6X24.6 RH	6	EA
2	093105410	SUPPORT SHELF AL.125X7.6X24.81 LH	6	EA
3	083105407	ANGLE SHELF RR AL 450523X23.25	8	EA
4	158105426	PANEL SHELF RR AL.102X25.26X68.5 RH	1	EA
5	158105428	PANEL SHELF RR AL.102X25.26X68.5 LH	1	EA
6	158105429	PANEL SHELF OVER W/B AL.102X25.26X38.5 RH	1	EA
7	158105430	PANEL SHELF OVER W/B AL.102X25.26X38.5 LH	1	EA
8	158105427	LIP SHELF AL450589X68.5	2	EA
9	158105433	LIP SHELF AL450589X38.5	2	EA
10	093105703	SUPPORT BRACKET STEEL 11GAX4.38X7.56	8	EA
11	168105406	ANGLE MOUNTING Z AL 450523X11.88	2	EA
12	47006020	TIE DOWN RING	52	EA
13	45400503	NET CARGO VELCRO LOWER SHELF	4	EA
14	158127444	HANGER CARGO NET	4	EA
15	107087402	GUARD WIRING REAR AL450006X38	2	EA
16	158105431	PANEL SHELF FORWARD OF W/B AL.102X25.26X30.13 LH	1	EA
17	158105432	PANEL SHELF FORWARD OF W/B AL.102X25.26X30.13 RH	1	EA
18	158105434	LIP SHELF AL450589X30.13	2	EA



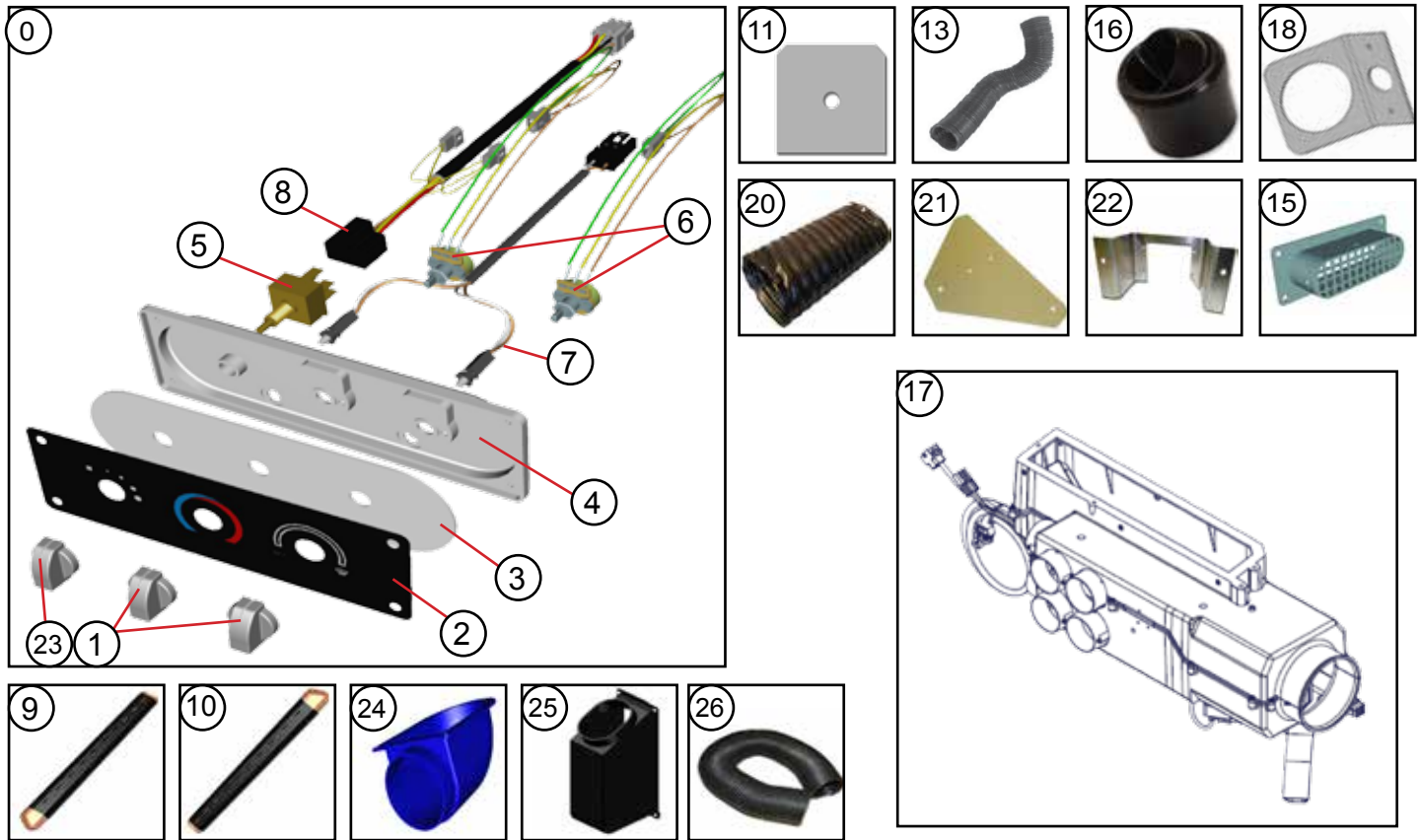
ITEM #	PART #	DESCRIPTION	QTY.	UNIT
1		BUMPER FRONT - SUPPLIED BY CHASSIS MFG.	1	EA
2	95806331	PLATE HANGER BUMPER STEEL .312X11X16.07	2	EA
3	118057002	BUMPER REAR 93W STEEL SGL SPRING	1	EA
4	89857310	ANGLE SILL REAR 86W AL 450191X82	1	EA
5	1101503	SPRING W/BRKT BUMPER MID	2	EA
6	47003995	SPRING BUMPER OUTER	2	EA
7	1101517	SPRING BUMPER INNER 72457014	2	EA
8	1107219	BUSH .5X1X2.38	2	EA
9	72457013	BRACKET BUMPER REAR STEEL7GAX4.88X7.9	2	EA
10	47022600	WELDMNT REAR BUMPER 12" 93W 3LB	1	EA
11	44002020	PROTECTIVE BUMPER RUBBER DX90	1	EA
12	117057400	PLATE BACK BUMPER STEEL14GAX.88X90	1	EA



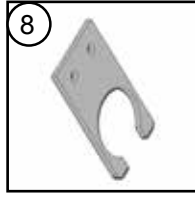
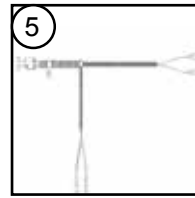
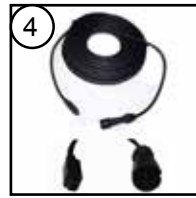
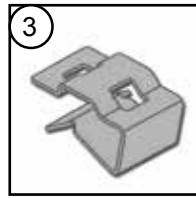
ITEM #	PART #	DESCRIPTION	QTY.	UNIT
1		MIRROR INSTALLATION	1	PR
2	47005641	MIRROR ASSEMBLY LH	1	EA
3	47005642	MIRROR ASSEMBLY RH	1	EA
WINDSHIELD WIPER				
5	1107122	HOSE .188 ID WSW	12	FT
6	083055454	BRACKET WIPER MOTOR	1	EA
7	1101694	TEE WSWA U/T	1	EA
8	47004188	WIPER SYSTEM TBLR 2 PIVOT	1	EA
9	146363002	WIPER ARM WITH BLADE	1	EA
10	47004134	BLADE 24IN BLACK	1	EA
11	47004206	ARM WSW WET 22IN RADIAL BLACK	1	EA
12	47004505	RSVR W/PUMP WSWA	1	EA
13	003705413	BRACKET MOUNTING RSVR	1	EA
14	46021115	CLIP BODY LARGE PAN	1	EA
15	47005901	NUT	2	EA
16	47005902	PIVOT COVER	2	EA
17	47005903	SPACER	2	EA
18	47005900	MOTOR WINDSHIELD WIPER	1	EA



ITEM #	PART #	DESCRIPTION	QTY	UNIT
1	555001014	HEATER ASSEMBLY (INSTALLATION 118080008)	1	EA
2	47008760	HEATER COIL W/GASKET & CLAMP	1	EA
3	47008753	DOOR W/SEAL	1	EA
4	47008754	BLOWER HOUSING	1	EA
5	47008755	BLOWER ADAPTER	1	EA
6	47008732	RESISTER CAGE	1	EA
7	47008357	RESISTER	1	EA
8	47008756	BLOWER MOTOR	1	EA
9	47008757	BLOWER WHEEL	1	EA
10	47008730	VENT TUBE	1	EA
11	47008731	VENT TUBE ADAPTOR	1	EA
12	47008716	RELAY	1	EA
13	47008758	HARNESS	1	EA
14	47008580	FORMED HEATER HOSE	2	EA
15	555002053	VALVE WAT	1	EA
NS	098080004	DUCT FT DUMP SPCL	1	EA
17	090080401	DUCT FT DUMP SPCL	1	EA
18	N/A	AC PARTITION - PART OF HEATER ASSEMBLY	1	EA
19	N/A	HOUSING UPPER - PART OF HEATER ASSEMBLY	1	EA
20	N/A	HOUSING LOWER - PART OF HEATER ASSEMBLY	1	EA
21	N/A	HOUSING BACK - PART OF HEATER ASSEMBLY	1	EA
22	21-01201	GASKET - PART OF HEATER ASSEMBLY	1	EA
23	21-01202	GASKET - PART OF HEATER ASSEMBLY	1	EA

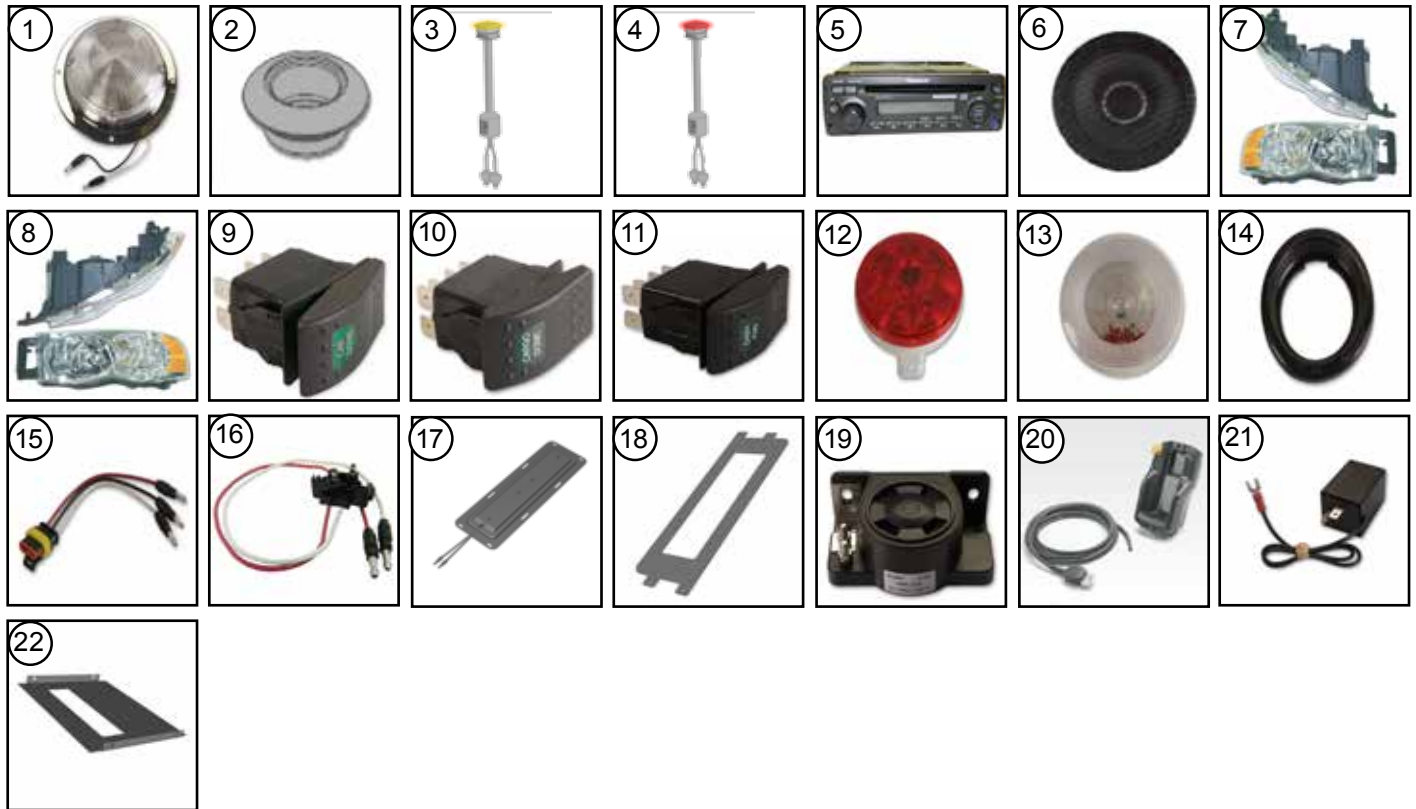


ITEM #	PART #	DESCRIPTION	QTY	UNIT
0	555001413	CONTROL PANEL ASSEMBLY	1	EA
1	47008706	KNOB	2	EA
23	47008735	KNOB	1	EA
2	47008707	DECAL	1	EA
3	47008708	LIGHT PANEL	1	EA
4	47008709	CONTROL SUB PANEL	1	EA
5	47008700	BLOWER SWITCH	1	EA
6	47008710	POTENTIOMETER SWITCH	2	EA
7	47008711	HARNES ILLUMINATION W/BULBS	1	EA
8	47008712	HARNES BLOWER MOTOR	1	EA
9	555001723	DEFROST DUCT CURBSIDE METAL	1	EA
10	555001724	DEFROST DUCT ROADSIDE METAL	1	EA
11	093080400	HOLD DOWN PLATE DEFROSTER DUCTS	4	EA
13	555001523	HOSE DEFROSTER 2.5X16	1	EA
13	555001525	HOSE DEFROSTER 2.5x38	2	EA
15	555002003	COLLER FRESH AIR INTAKE	1	EA
16	555001715	LUVER BALL	6	EA
17	555001321	DUCT HVAC	1	EA
18	107027405	BRACKET HEATER VENT	1	EA
20	555001533	HOSE BLOWER HEATER/DEFROSTER 5"X7.5"	1	EA
21	005780402	MOUNTING PLATE	1	EA
22	002080400	BRACKET HEATER CONTROL AL .102X3X11.67	1	EA
24	555002005	PLENUM FRESH AIR HVAC TOEBOARD	1	EA
25	555002006	PLENUM FRESH AIR HVAC SIDE WALL	1	EA
26	555001532	HOSE FRESH AIR HVAC 4" DIA	1	EA

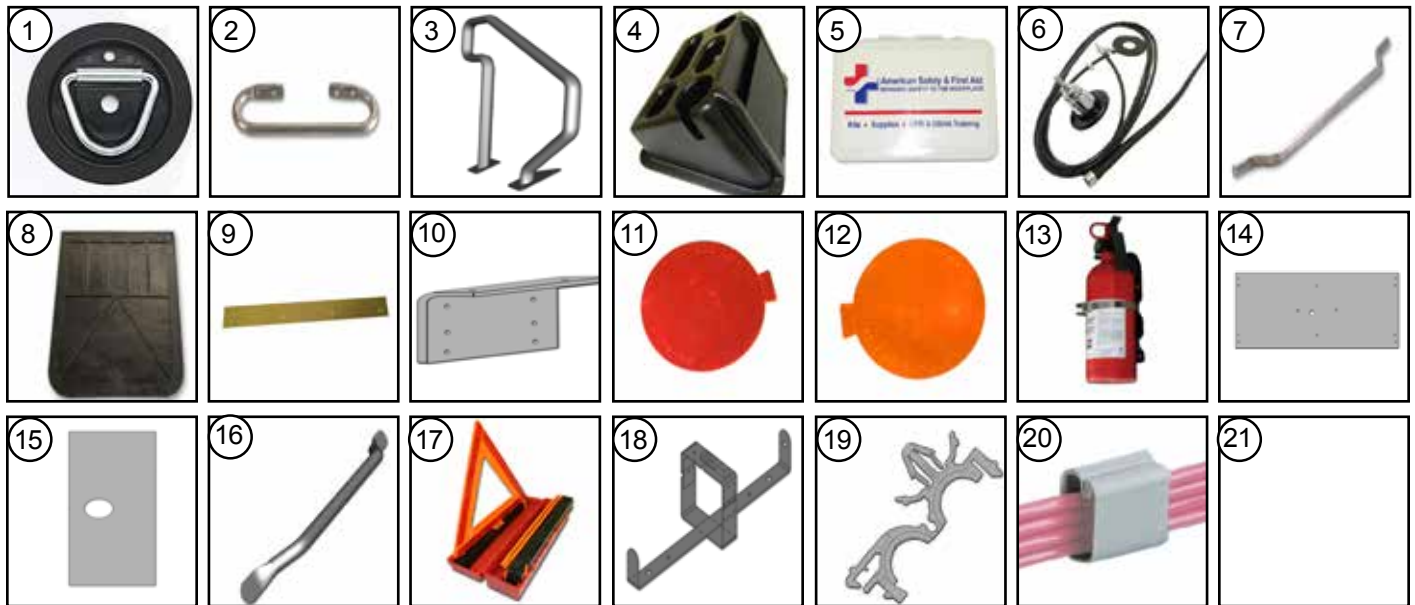


ITEM #	PART #	DESCRIPTION	QTY.	UNIT
1	46030011	FAN 2SPEED NO SWITCH 270CFM	1	EA
2	46023605	SWITCH ROCKER DASH FAN SPDT ON-OFF-ON	1	EA
3	46021115	CLIP LARGE BODY (SAME AS 005392206)	1	EA
3	46021114	CLIP MEDIUM BODY (SAME APPEARANCE AS ITEM 3)	1	EA
4	48200025	HARNESS - REAR CAMERA TO MONITOR 40FT	1	EA
5	46025591	HARNESS - SPEAKER WIRING	1	EA
NS	006385205	HARNESS - HOOD FBG M2 FCC 93W	1	EA
NS	147391200	HARNESS - ROOF NOSE	1	EA
NS	098084202	HARNESS - FUSE CENTER	1	EA
NS	098084203	HARNESS - INSTRUMENT PANEL	1	EA
NS	093093203	HARNESS - ROOF 21/24FT6IN M100	1	EA
NS	100081201	HARNESS - REAR LIGHTS S/T/T/ W/LOOM LED	1	EA
NS	100081202	HARNESS - ASSEMBLY ALARM B/U W/LOOM INCAN	1	EA
NS	093093205	HARNESS - TRANSOM CHMSL READY	1	EA
NS	148084200	HARNESS - COM CENTER FCC 2011	1	EA
NS	007381203	HARNESS - MID BODY MARKER	1	EA
NS	142086200	HARNESS - REAR WRG LH BACK PANEL D/FLR	1	EA
NS	142086201	HARNESS - REAR WRG RH BACK PANEL D/FLR	1	EA
NS	46010845	HARNESS - BACKUP ALARM	1	EA
NS	090093202	HARNESS JUMPER CARGO DOME LAMP	1	EA
NS	110094201	HARNESS - MONITOR MOD SVLCD MON	1	EA
NS	48200114	MONITOR BACK UP 5.6" CLR LCD DEKIT	1	EA
NS	46003017	LAMP INT WIPER	1	EA
NS	008300401	LABEL FUSE BLOCK FCC 2012 CURBSIDE	1	EA
NS	008300402	LABEL FUSE BLOCK FCC 2012 ROADSIDE	1	EA
NS	46023310	SWITCH WIPER INT SGL MTR D/PK W/WASH	1	EA
6	1111001	LAMP LICENSE PLATE SS 9369W	1	EA
7	46024513	ALARM BACK-UP	1	EA
8	090087401	PLATE FILLER WIRING	2	EA
NS	007388300	HARNESS JUMPER Y 1WR P&P X6 BACK UP ALARM	2	EA

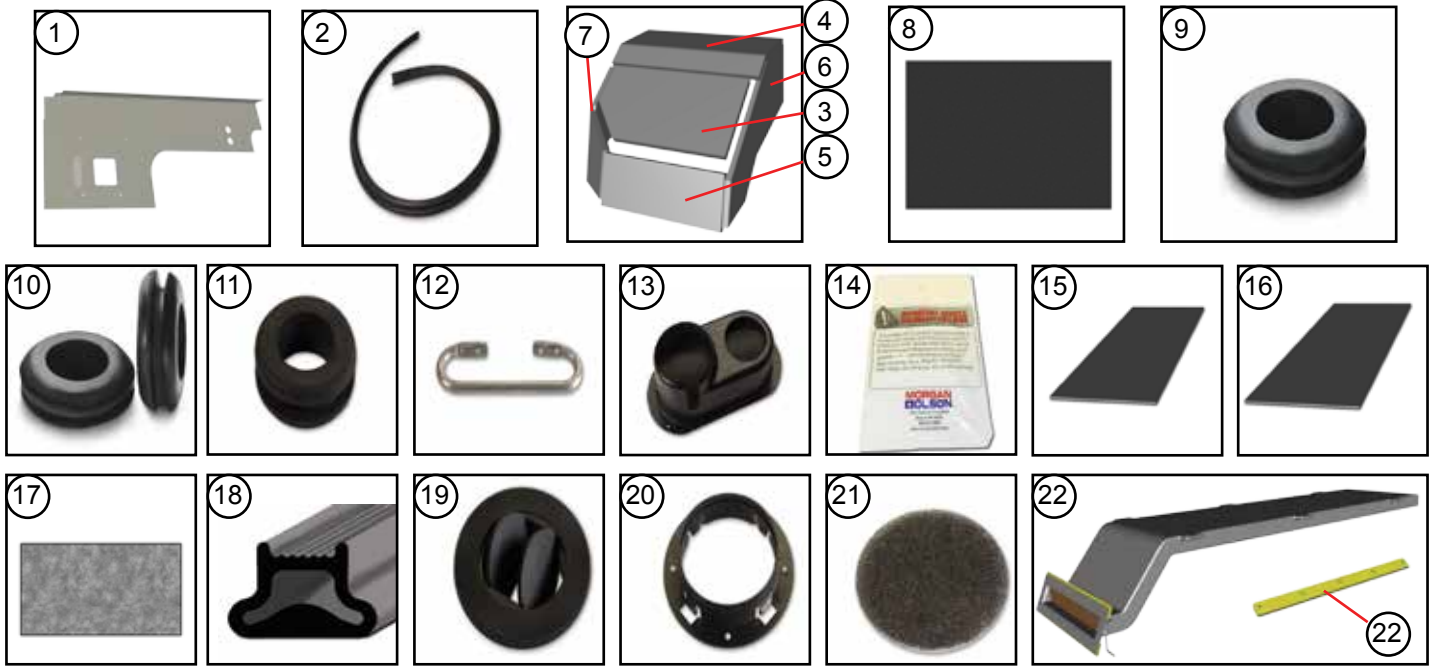
SEE PAGE 34 FOR WIRING HARNESS DIAGRAMS



ITEM #	PART #	DESCRIPTION	QTY.	UNIT
1	46002634	LAMP DOME CLEAR CHROME (CAB) (BRACKET-100092400)	1	EA
2	46001342	GROMMET FOR CLEARANCE MARKERS	1	EA
3	46001339	LAMP CLEARANCE MARKER LED PC - AMBER X7	1	EA
3	46001344	LAMP CLEARANCE MARKER LED PC - AMBER X1	1	EA
3	46001362	LAMP CLEARANCE MARKER LED PC - AMBER X1	1	EA
4	46001340	LAMP CLEARANCE MARKER LED NO PC - RED X7	1	EA
5	46025594	RADIO AM/FM/WB/RBDS JEN	1	EA
6	46025590	SPEAKER 6.5 IN.	1	PR
7	46000307	HEADLAMP CURBSIDE	1	EA
8	46000308	HEADLAMP ROADSIDE	1	EA
9	46023508	SWITCH ROCKER CAB DOME SPST ON-OFF	1	EA
10	46023603	SWITCH ROCKER FRONT CARGO DOME SPDT ON-ON	1	EA
11	46023605	SWITCH ROCKER DASH FAN SPDT ON-OFF-ON	1	EA
12	46002222	LAMP REAR COMB LED	1	EA
13	46001406	LAMP B/U SEALED	1	EA
14	46004402	GROMMET 4" ROUND BLACK	1	EA
15	46012046	PIGTAIL STOP/TURN/TAIL LED	1	EA
16	46012048	PIGTAIL BACKUP LED IN	1	EA
17	46002638	LAMP DOME CARGO LED (DOME LAMP CAB - 46002636)	1	EA
18	100092401	BRACKET DOME LAMP	1	EA
19	46024513	ALARM BACK UP	1	EA
20	CFVCD5500	CHARGING DOCK MOTOROLA VCD5500	1	EA
21	46026380	FLASHER FOR TTL LED	1	EA
NS	128023001	TRANSPONDER FSTNR I 7" CTRS	1	EA
22	090091403	BRACKET DOME LAMP CAB AL .102X19.25X25.32	1	EA



ITEM #	PART #	DESCRIPTION	QTY.	UNIT
1	47006020	TIEDOWN RING (SUPPORT ANGLE AL450194X54 - 096127422)	26	EA
2	90187300	GRAB HANDLE .5DIAX15.7	3	EA
3	47001056	RAIL GRAB RH TOEBOARD (SUPPORT ANGLE 001731405)	1	EA
NS	48200114	MONITOR B/U 5.6" CLR LCD DEKIT	1	EA
4	47009653	CENTER CONSOLE CONVENIENCE CENTER	1	EA
5	007301001	FIRST AID KIT - DSL/GAS W/O LOGO US RSK	1	EA
6	46025559	ANTENNA TP/SI MITO #10-CAM1CRM0	1	EA
7	98150310	GRAB HANDLE AL 450243X26.38 QTY 2	1	EA
8	1107309	MUD FLAPS 24X36 BLACK NO LOGO 1 PAIR	1	EA
9	7504428	RETAINER MUD FLAPS	1	EA
10	80795014	ANGLE RETAINER MUD FLAPS	1	EA
11	46025017	REFLECTOR RED SPITFIRE 2.88 DIA. X4	1	EA
12	46025018	REFLECTOR AMBER SPITFIRE 2.88 DIA. X2	1	EA
13	47009621	FIRE EXTINGUISHER W/BRACKET & MET STRAP	1	EA
14	100092400	BRACKET DOME LAMP MOUNTING (3 LOAD / 1 CAB)	1	EA
NS	95801001	TIE DOWN KIT	1	EA
15	78331095	PLATE TIE DOWN	1	EA
16	47001082	GRAB HANDLE 1" AL 31.875L 2.75DP ANZ	1	EA
17	47009547	REFLECTOR KIT - TRIANGLES	1	EA
18	47009548	BRACKET REFLECTOR FLARE KIT	1	EA
19	46021301	CLAMP LOOM PUSH IN QTY-13	1	EA
20	47006615	CLIP WIRE GUIDES .75X.75 (1x1.5 - 47006617)	1	EA
21			1	EA



ITEM #	PART #	DESCRIPTION	QTY.	UNIT
1	093116410	INSULATION DASH WALL	1	EA
2	1107270	SEAL ENGINE BOX LID	8	FT
3	098028401	ENGINE BOX INSULATION 42002056X13.55X28.25	1	EA
4	098005404	ENGINE BOX INSULATION 42002056X14.28X31.29	1	PR
5	098005405	ENGINE BOX INSULATION 42002056X15.09X33.05	1	EA
6	098005406	ENGINE BOX INSULATION 42002056X21.25X30.59	1	EA
7	098005407	ENGINE BOX INSULATION 42002056X19.58X30.72	1	EA
8	42002055	SOUND ABSORBING FLOOR MAT 60X95	0	EA
9	1107109	GROMMET AN#931-A6-10	1	EA
10	44000052	GROMMET A/I#2866	5	EA
11	46004416	GROMMET 1ID .25 MATERIAL THICKNESS	1	EA
12	90187300	GRAB HANDLE .5DIAX15.7	3	EA
13	42007001	CUP HOLDER	0	EA
14	43004362	BAG PLASTIC DOCUMENT WALK-IN	1	EA
15	098137401	PLATE STEP FBG .125X7.75X22	1	EA
16	45400509	PLATE STEP FBG .125X10.38X22	1	EA
17	098137406	PLATE STEP FBG .125X10X16	3	EA
18	44004104	SEAL RUBBER FORWARD DOOR X89.25	2	EA
19	47008547	LUVER ROUND 3.12	2	EA
20	47008546	PANEL MOUNTING LUVER 3.12	2	EA
21	48000504	FILTER FM .25THKX4DIA	2	EA
22	47008802	DUCT VENT CAB / CARGO	1	EA
23	94010316	REINFORCEMENT VENT	2	EA
NS	007300098	FIC SIDE CART LOADING	1	EA
NS	47106593	SEAL SIDE RUBBER WTG#5377X93	2	EA

PAGE#	PART #	DESCRIPTION	QTY.	UNIT
34	48200025	HARNESS - REAR CAMERA TO MONITOR 40FT	1	EA
35	006385205	HARNESS - HOOD FBG M2 FCC 93W	1	EA
36	007381203	HARNESS - MID BODY MARKER	1	EA
37	007388300	HARNESS - JUMPER Y 1WR P&P X6 BACK UP ALARM	2	EA
38-39	147391200	HARNESS - ROOF NOSE	1	EA
40	46010845	HARNESS - BACKUP ALARM	1	EA
41	46025591	HARNESS - SPEAKER WIRING	1	EA
42	090093202	HARNESS - JUMPER CRG DOME LAMP	1	EA
43	142086200	HARNESS - REAR WRG LH BACK PANEL D/FLR	1	EA
44	142086201	HARNESS - REAR WRG RH BACK PANEL D/FLR	1	EA
45-46	093093203	HARNESS - ROOF 21/24FT6IN M100	1	EA
47	093093205	HARNESS - TRANSOM CHMSL READY	1	EA
48-51	098084203	HARNESS - INSTRUMENT PANEL	1	EA
52	100081201	HARNESS - A S/T/T/ W/LOOM LED	1	EA
53	100081202	HARNESS - ALARM B/U W/LOOM INCAN	1	EA
54	110094201	HARNESS - MONITOR MOD SVLCD MON	1	EA
55-56	148084200	HARNESS - COM CENTER FCC 2011	1	EA
57	098084202	HARNESS - FUSE CENTER	1	EA
NS	47004506	HARNESS - PIGTAIL PUMP WINDSHIELD WASHER	1	EA



006385205 HARNESS HOOD

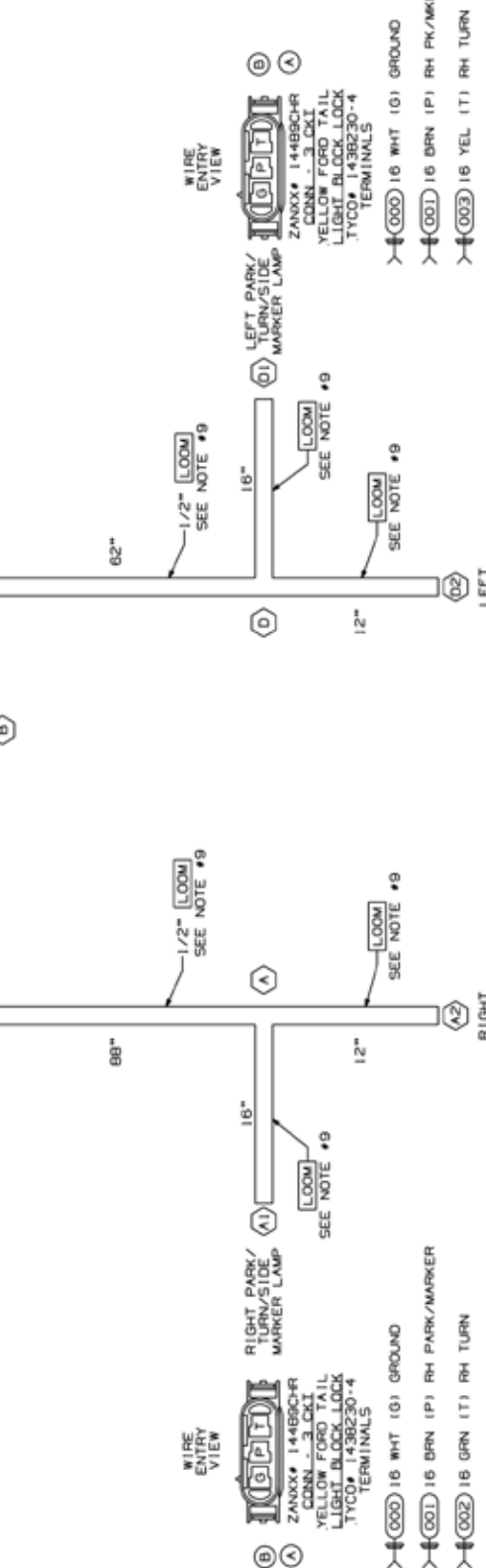
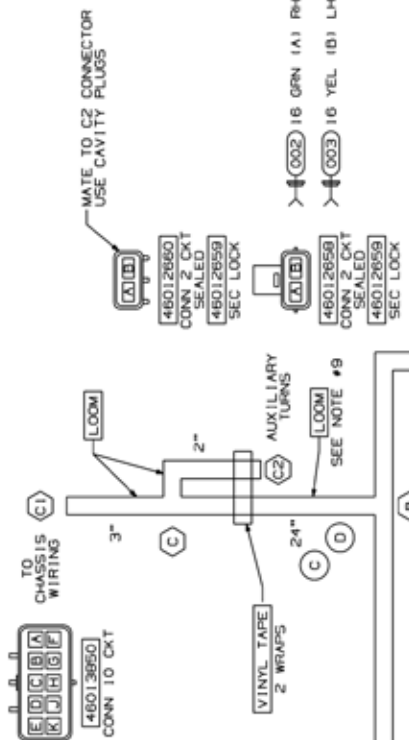
006385205 HARNESS HOOD

DRAWING NO.	REV	DATE	BY
006385205	D		J.O.F.L.
DESCRIPTION			
A	RELEASE TO PRODUCTION		
B	MATERIAL GRAPHIC UPDATED		
C	18" WAS 9" AT 18"		
D	24" WAS 18"		

CIRCUIT	DESCRIPTION	END POINTS	FUNCTION
000	14/16 WHT	A1, A2, C1, D1, D2	GROUND
001	16 BRN	A1, C1, D1	PARK/MARKER
002	16 GRN	A1, C1, C2	RH TURN
003	16 YEL	C1, C2, D1	LH TURN
010	16 TAN	C1, D2	LH LOW BEAM
011	16 RED	C1, D2	LH HIGH BEAM
012	16 PNK	A2, C1	RH LOW BEAM
013	16 GRN	A2, C1	RH HIGH BEAM

- ← (011) 16 RED (A) LH HIGH BEAM
- ← (010) 16 TAN (B) LH LOW BEAM
- ← (013) 16 GRN (C) RH HIGH BEAM
- ← (012) 16 PNK (D) RH LOW BEAM
- ← (001) 16 BRN (E) PARK/MARKER LPS
- ← (003) 16 YEL (F) LH TURN
- ← (002) 16 GRN (G) RH TURN
- ← (000) 14 WHT (H) GROUND

- PLUG PLUG (J) 46013073
- PLUG PLUG (K) 46013073



9. SPLIT POLYPROPYLENE LOOM, BACK WITH GREEN STRIPE OR NYLON, BLACK WITH GRAY STRIPE. PREFER TO USE THE SMALLEST PRACTICAL SIZE UNLESS OTHERWISE SPECIFIED ON THE DRAWING.
10. VENDOR MAY REPLACE THE APPROVED MOLDINGS OR CONNECTORS. PICTAILS SHOWN IN TERMINAL VIEW.
11. HARNESS TO BE TESTED FOR CONTINUITY, SHORTS, AND CONTINUITY.
12. CONNECTORS SHOWN FROM WIRE ENTRY SIDE, UNLESS OTHERWISE NOTED.
13. SPLICES TO BE AUTOMATED WITH HEAT SHRINK TUBING. HEAT SHRINK BUTT SPLICES ARE ACCEPTABLE FOR M-O FABRICATION IF NECESSARY.
14. TAPE (111098): 6" AT BREAKOUTS AND 2" AT LOOM ENDS.
15. HARNESS TO HAVE A LABEL SHOWING MORGAN OLSON PART NUMBER, REVISION MANUFACTURE.
16. SPLIT POLY LOOM UNLESS OTHERWISE NOTED.
17. 1. GAL WIRE.

NOTES:
 PROPRIETARY
 THIS HARNESS IS THE PROPERTY OF MORGAN OLSON. IT IS TO BE USED ONLY FOR THE PURPOSES INTENDED BY MORGAN OLSON. IT IS NOT TO BE REPRODUCED OR TRANSMITTED IN ANY FORM OR BY ANY MEANS, ELECTRONIC OR MECHANICAL, INCLUDING PHOTOCOPYING, RECORDING, OR BY ANY INFORMATION STORAGE AND RETRIEVAL SYSTEM. WITHOUT THE WRITTEN PERMISSION OF MORGAN OLSON, THIS HARNESS IS NOT TO BE USED FOR ANY OTHER PURPOSE.

MORGAN OLSON	
REV	DATE
TMC	05-0857
TMC	23MAY06
TMC	05-23MAY06
DO NOT SCALE	
RISK	
HARN HOOD F/G	
M2 FCC 2006	
SCALE	NONE
REV	D

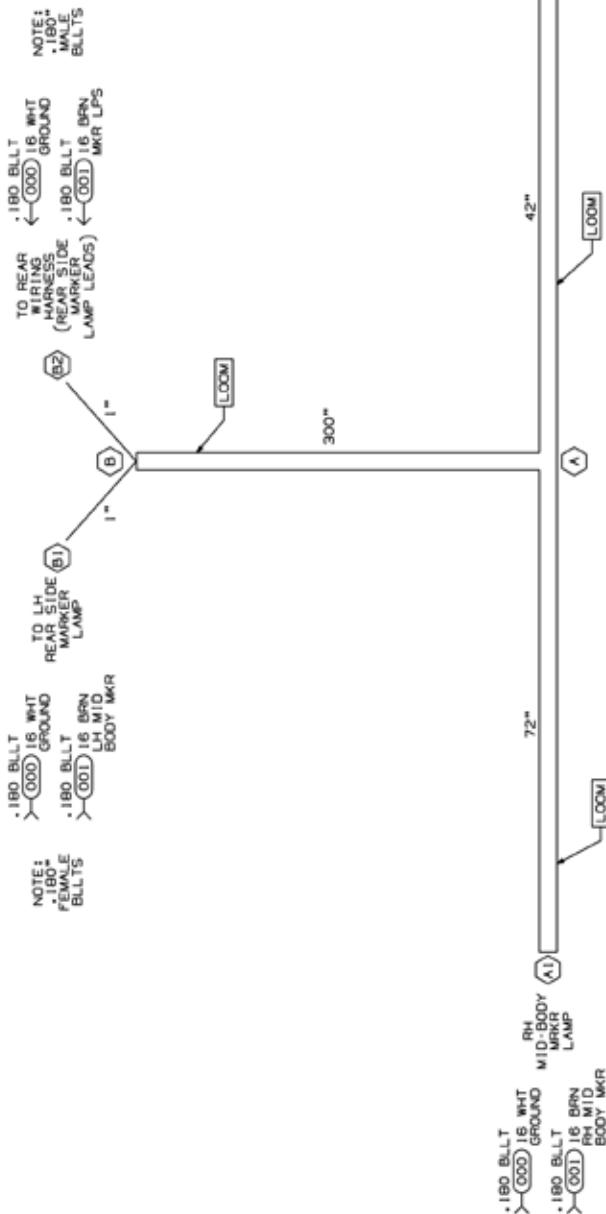
HARN AND LOOM TOLERANCES	
UP TO 60"	-0/+2
60" TO 100"	-0/+4
100" TO 200"	-0/+5
200" TO 400"	-0/+6
400" TO 600"	-0/+7
OVER 600"	-0/+8
BO TO BO	-0/+2
TOLERANCE IS NOT ACCUMULATIVE. LENGTH APPLIES TO OVERALL HARNESS LENGTH, BREAKOUT TO END, OR LOOM.	

007381203 MID BODY MARKERS

007381203 MID BODY MARKERS

DRAWING NO.	REV	SHT
007381203		LOFJ
DESCRIPTION		
RELEASE TO PRODUCTION		

CIRCUIT	GAWGE	COLOR	END POINTS	FUNCTION
000	16	WHT	A1, A2, B1, B2	GROUND
001	16	BRN	A1, A2, B1, B2	SIDE MARKER LAMPS



HARNES AND LOOM TOLERANCES

UP TO 60"	: -0/+2"
60" TO 100"	: -0/+4"
100" TO 200"	: -0/+5"
200" TO 400"	: -0/+8"
400" TO 600"	: -0/+7"
OVER 600"	: -0/+8"

NOTE: TOLERANCE IS NOT ACCUMULATIVE. LENGTH APPLIES TO OVERALL HARNES LENGTH, BREAKOUT TO END, OR LOOM.

- HARNES TO BE TESTED FOR CONTENT, OPENS, SHORTS, AND CONTINUITY.
- CONNECTORS SHOWN FROM WIRE ENTRY SIDE, UNLESS OTHERWISE NOTED.
- SPLICES TO BE AUTOMATED WITH HEAT SHRINK TUBING. HEAT SHRINK BUTT SPLICES ARE ACCEPTABLE FOR M-O FABRICATION IF NECESSARY.
- TAPE (1111086): 6" AT BREAKOUTS AND 2" AT LOOM ENDS.
- HARNES TO HAVE A LABEL SHOWING MORGAN OLSON PART NUMBER, REVISION LEVEL, AND DATE OF MANUFACTURE.
- SPLIT POLY LOOM UNLESS OTHERWISE NOTED.
- GXL WIRE.

PROPRIETARY

THIS DRAWING IS THE PROPERTY OF MORGAN OLSON SERVICE PARTS. IT IS TO BE USED ONLY FOR THE PARTS IDENTIFIED HEREIN. IT IS NOT TO BE REPRODUCED OR TRANSMITTED IN ANY FORM OR BY ANY MEANS, ELECTRONIC OR MECHANICAL, INCLUDING PHOTOCOPYING, RECORDING, OR BY ANY INFORMATION STORAGE AND RETRIEVAL SYSTEM. VIOLATION OF THIS NOTICE MAY RESULT IN CIVIL AND CRIMINAL PENALTIES.

MORGAN OLSON

GENERAL ELECTRONICS VALVES DIVISION

1. MORGAN OLSON SERVICE PARTS, 1111086, JAN 1998, REV 1.000

2. MORGAN OLSON SERVICE PARTS, 1111086, JAN 1998, REV 1.000

3. MORGAN OLSON SERVICE PARTS, 1111086, JAN 1998, REV 1.000

4. MORGAN OLSON SERVICE PARTS, 1111086, JAN 1998, REV 1.000

5. MORGAN OLSON SERVICE PARTS, 1111086, JAN 1998, REV 1.000

6. MORGAN OLSON SERVICE PARTS, 1111086, JAN 1998, REV 1.000

7. MORGAN OLSON SERVICE PARTS, 1111086, JAN 1998, REV 1.000

8. MORGAN OLSON SERVICE PARTS, 1111086, JAN 1998, REV 1.000

9. MORGAN OLSON SERVICE PARTS, 1111086, JAN 1998, REV 1.000

10. MORGAN OLSON SERVICE PARTS, 1111086, JAN 1998, REV 1.000

DATE: 02/JAN/98

TIME: 02/JAN/98

SCALE: DO NOT SCALE

DRWING NO.: 007381203

SHT: 1 OF 1

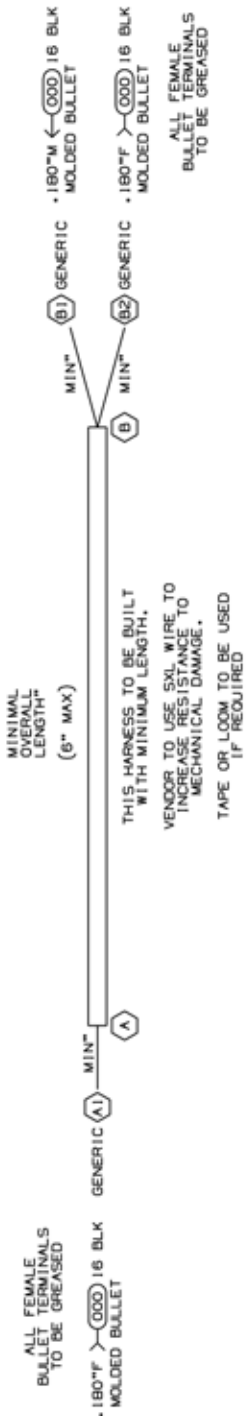
SCALE: NONE

007388300 JUMPER 6" "Y"

007388300 JUMPER 6" "Y"

DRAWING NO. 007388300	REV	SHT 1 OF 1
DESCRIPTION RELEASE TO PRODUCTION	DATE	BY

CIRCUIT 000	END POINTS A1, B1, B2	FUNCTION GENERIC
----------------	--------------------------	---------------------



8. VENDOR MAY REPLACE PIGTAILS WITH WIRING TO APPROVED MOLDINGS OR CONNECTORS. PIGTAILS SHOWN IN TERMINAL VIEW.
7. HARNESS TO BE TESTED FOR CONTENT, OPENS, SHORTS, AND CONTINUITY.
6. CONNECTORS SHOWN FROM REVERSE SIDE, UNLESS OTHERWISE NOTED.
5. SPLICES TO BE AUTOMATED WITH HEAT-SHRINK TUBING. HEAT-SHRINK BUTT SPLICES ARE ACCEPTABLE FOR FABRICATION IF NECESSARY.
4. TAPE (1111098) 8" AT BREAKOUTS AND 2" AT LOOM ENDS.
3. HARNESS TO HAVE A LABEL SHOWING MORGAN OLSON PART NUMBER, REVISION LEVEL, AND DATE OF MANUFACTURE.
2. SPLIT POLY LOOM UNLESS OTHERWISE NOTED.

1. SXL WIRE.

NOTES:

PROPRIETARY
This drawing and the information and data contained hereon are the property of Morgan Olson and shall remain confidential. No part of this drawing shall be reproduced or transmitted in any form or by any means, electronic, mechanical, photocopying, recording, or by any information storage and retrieval system, without the prior written permission of Morgan Olson.

MORGAN OLSON

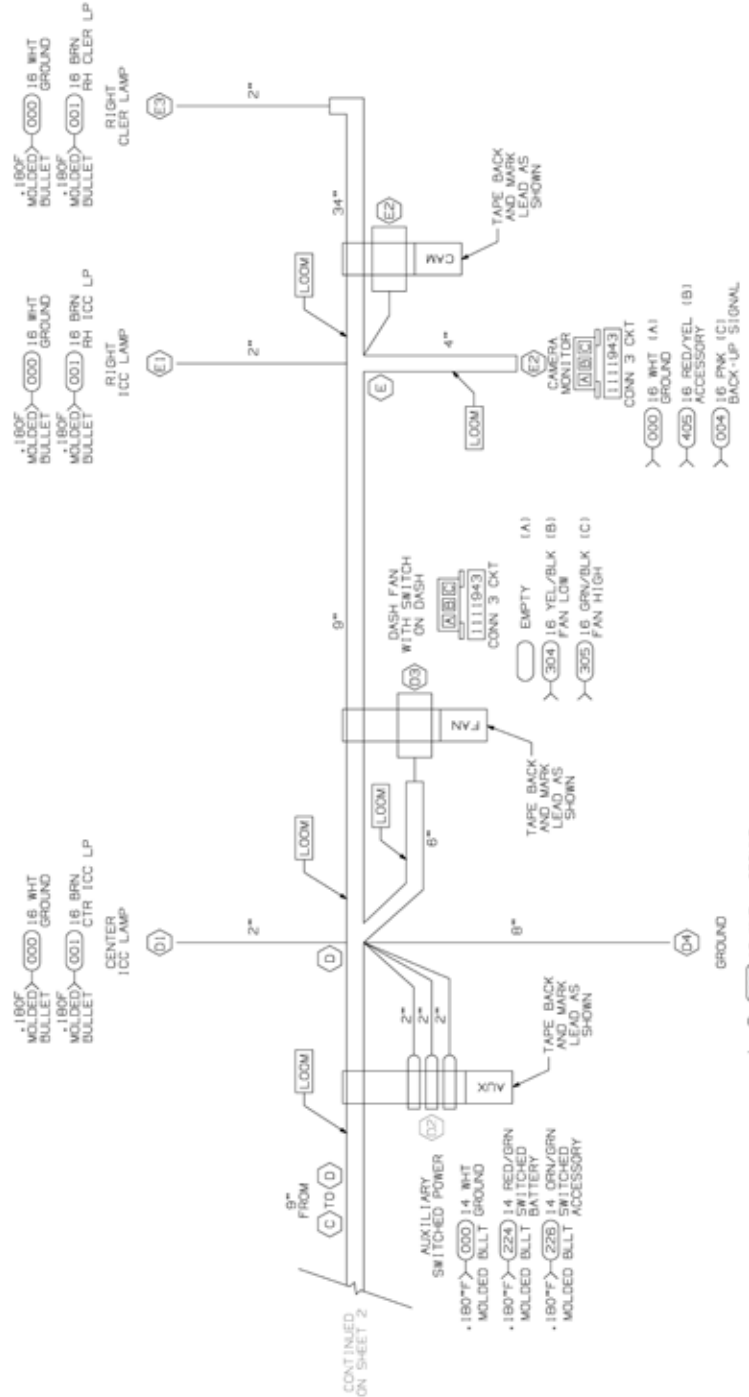
HARNESS AND LOOM TOLERANCES	
UP TO 60"	= -0/+2"
60" TO 100"	= -0/+4"
100" TO 200"	= -0/+5"
200" TO 400"	= -0/+8"
400" TO 600"	= -0/+7"
OVER 600"	= -0/+8"
BO TO BO	= -0/+2"
TOLERANCE IS NOT APPLICABLE TO OVERALL HARNESS LENGTH, BREAKOUT TO END, OR LOOM.	
DATE	09JUL07
BY	09JUL07
TMC	07-0743
SCALE	NONE
DRAWING NO.	007388300

FIRST USE:
BASIC CIRCUIT
SPLITTER

147391200 1/2 ROOF NOSE

147391200 1/2 ROOF NOSE

PRINTING NO.	REV	SHT
147391200	REL	J02
DESCRIPTION		
RELEASE FOR PRODUCTION		



- 10. VENDOR TO GREASE FEMALE BULLET TERMINALS.
- 9. THIS IS A PURCHASED HARNESS. NO BULL OF MATERIAL EXISTS.
- 8. VENDOR MAY REPLACE PIGTAILS WITH WIRING TO CONFORM TO THE WIRING CONNECTORS PIGTAILS SHOWN IN TERMINAL VIEW.
- 7. HARNESS TO BE TESTED FOR CONTINUITY, SHORTS, AND CONTINUITY.
- 6. CONNECTORS SHOWN FROM WIRE ENTRY SIDE, UNLESS OTHERWISE NOTED.
- 5. SPLICES TO BE AUTOMATED WITH SOLDER, AND ADHESIVE LINED HEAT SHRINK TUBING.
- 4. TAPE (1111090) 6" AT BREAKOUTS. AT 18" BREAKOUTS, THE MINIMUM TIED LOOM LENGTHS GREATER THAN 24" AND 2" AT LOOM ENDS.
- 3. HARNESS TO HAVE A LABEL SHOWING MORGAN OLSON PART NUMBER, REVISION LEVEL, AND DATE OF MANUFACTURE.
- 2. SPLIT POLY LOOM UNLESS OTHERWISE NOTED.
- 1. GXL WIRE.

NOTES:
1. GXL WIRE.
2. SPLIT POLY LOOM UNLESS OTHERWISE NOTED.

PROPRIETARY
MORGAN OLSON
MORGAN OLSON SERVICE PARTS
10000 W. WASHINGTON AVE. #110
MILWAUKEE, WI 53224
TEL: 414.251.1000 FAX: 414.251.1001
WWW.MORGANOLSON.COM
DATE: 11MAR14 BY: J02/MS/MS/MS

DATE	11MAR14	BY	J02/MS/MS/MS
SCALE	DO NOT SCALE	DATE	11MAR14
REVISION		DATE	
REV		DATE	
REV		DATE	
REV		DATE	

HARNESS AND LOOM TOLERANCES:
UP TO 80" = -0/+2"
60" TO 100" = -0/+4"
100" TO 200" = -0/+5"
200" TO 400" = -0/+6"
400" TO 600" = -0/+7"
OVER 600" = -0/+8"
80 TO 80" = -0/+2"
LENGTHS APPLY FROM BREAKOUT TO BREAKOUT, ENTRY SIDE OF CONNECTOR, OR END OF COVER.

BASED ON 007391210

147391200 2/2 ROOF NOSE

147391200 2/2 ROOF NOSE

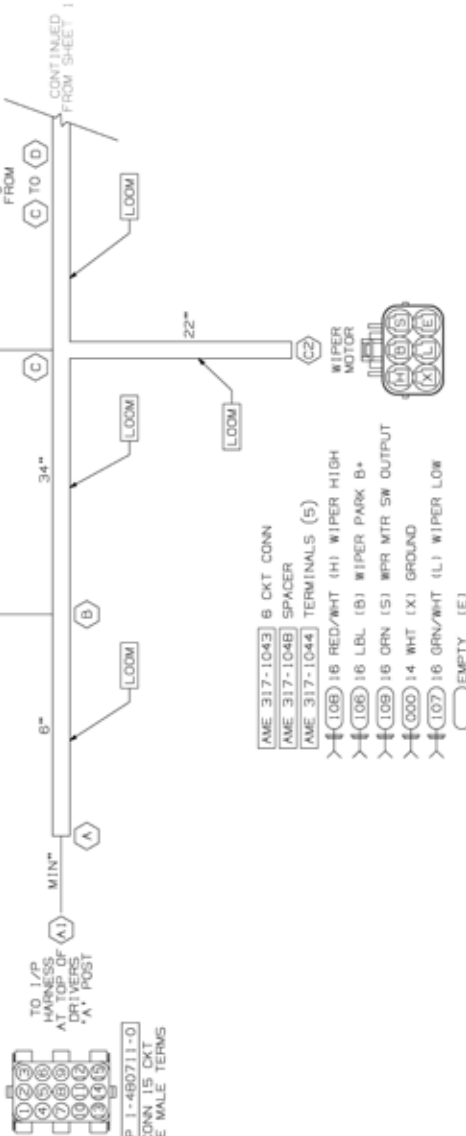
DRAWING NO.	147391200	REV	REL	SHT
			2 of 2	
DESCRIPTION	RELEASE FOR PRODUCTION			

CIRCUIT	GA/COLOR	END POINTS	FUNCTION
109	16 GRN	A1,C2	WIPER PK SWITCH OUTPUT
224	14 RED/GRN	A1,D2	BATTERY - SWITCHED
226	14 GRN/GRN	A1,D2	ACCESSORY - SWITCHED
304	16 YEL/BLK	A1,O3	DASH FAN LOW
305	16 GRN/BLK	A1,O3	DASH FAN HIGH
405	16 RED/YEL	A1,E2	AUXILIARY ACCESSORY

CIRCUIT	GA/COLOR	END POINTS	FUNCTION
000A	12 WHT	A1,D4,SPLICE 1	GROUND
000	14/16 WHT	B1,C1,C2,D1,D2,E1,E2,E3,SPLICE 1	GROUND
001	16 BRN	A1,B1,C1,D1,E1,E3	CLEARANCE/ICC LPS
004	16 PNK	A1,E2	BACK-UP SIGNAL
106	16 LBL	A1,C2	WIPER PARK SWITCH B*
107	16 GRN/WHT	A1,C2	WIPER LOW
108	16 RED/WHT	A1,C2	WIPER HIGH

SPLICE 1
000A, 12 WHT IS TO BE
SPLICED TO THE
000 WHT CIRCUIT,
VEHICLE TO DETERMINE
LOCATION(S)

- ← 000A 12 WHT (1) GROUND
- ← 001 16 BRN (2) CLEARANCE/ICC LAMPS
- ← 004 16 PNK (3) BACK-UP SIGNAL
- ← 106 16 LBL (4) WIPER PARK SWITCH B*
- ← 107 16 GRN/WHT (6) WIPER LOW
- ← 108 16 RED/WHT (7) WIPER HIGH
- ← 109 16 GRN (9) WIPER PARK SW OUTPUT
- ← 224 14 RED/GRN (10) BATT (5W)
- ← 226 14 GRN/GRN (12) ACCY (5W)
- ← 304 16 YEL/BLK (13) FAN LOW
- ← 305 16 GRN/BLK (14) FAN HIGH
- ← 405 16 RED/YEL (15) ACCESSORY



PROPRIETARY
This drawing and the information and data contained herein are the property of Morgan Olson Service Parts. No part of this drawing may be reproduced, stored in a retrieval system, or transmitted in any form or by any means, electronic, mechanical, photocopying, recording, or by any information storage and retrieval system, without the prior written permission of Morgan Olson.

MORGAN OLSON SERVICE PARTS

GENERAL STANDARD VALUES (UNLESS OTHERWISE SPECIFIED)
 1. DIMENSIONS: 1/16" (0.0625")
 2. HOLE: 1/16" (0.0625")
 3. HOLE: 1/8" (0.125")
 4. HOLE: 3/16" (0.1875")
 5. HOLE: 1/4" (0.2500")
 6. HOLE: 5/16" (0.3125")
 7. HOLE: 3/8" (0.3750")
 8. HOLE: 1/2" (0.5000")
 9. HOLE: 5/8" (0.6250")
 10. HOLE: 3/4" (0.7500")
 11. HOLE: 7/8" (0.8750")
 12. HOLE: 1" (1.0000")
 13. HOLE: 1 1/8" (1.1250")
 14. HOLE: 1 1/4" (1.2500")
 15. HOLE: 1 3/8" (1.3750")
 16. HOLE: 1 1/2" (1.5000")
 17. HOLE: 1 3/4" (1.6250")
 18. HOLE: 1 7/8" (1.7500")
 19. HOLE: 2" (2.0000")
 20. HOLE: 2 1/8" (2.1250")
 21. HOLE: 2 1/4" (2.2500")
 22. HOLE: 2 3/8" (2.3750")
 23. HOLE: 2 1/2" (2.5000")
 24. HOLE: 2 3/4" (2.6250")
 25. HOLE: 2 7/8" (2.7500")
 26. HOLE: 3" (3.0000")
 27. HOLE: 3 1/8" (3.1250")
 28. HOLE: 3 1/4" (3.2500")
 29. HOLE: 3 3/8" (3.3750")
 30. HOLE: 3 1/2" (3.5000")
 31. HOLE: 3 3/4" (3.6250")
 32. HOLE: 3 7/8" (3.7500")
 33. HOLE: 4" (4.0000")
 34. HOLE: 4 1/8" (4.1250")
 35. HOLE: 4 1/4" (4.2500")
 36. HOLE: 4 3/8" (4.3750")
 37. HOLE: 4 1/2" (4.5000")
 38. HOLE: 4 3/4" (4.6250")
 39. HOLE: 4 7/8" (4.7500")
 40. HOLE: 5" (5.0000")
 41. HOLE: 5 1/8" (5.1250")
 42. HOLE: 5 1/4" (5.2500")
 43. HOLE: 5 3/8" (5.3750")
 44. HOLE: 5 1/2" (5.5000")
 45. HOLE: 5 3/4" (5.6250")
 46. HOLE: 5 7/8" (5.7500")
 47. HOLE: 6" (6.0000")
 48. HOLE: 6 1/8" (6.1250")
 49. HOLE: 6 1/4" (6.2500")
 50. HOLE: 6 3/8" (6.3750")
 51. HOLE: 6 1/2" (6.5000")
 52. HOLE: 6 3/4" (6.6250")
 53. HOLE: 6 7/8" (6.7500")
 54. HOLE: 7" (7.0000")
 55. HOLE: 7 1/8" (7.1250")
 56. HOLE: 7 1/4" (7.2500")
 57. HOLE: 7 3/8" (7.3750")
 58. HOLE: 7 1/2" (7.5000")
 59. HOLE: 7 3/4" (7.6250")
 60. HOLE: 7 7/8" (7.7500")
 61. HOLE: 8" (8.0000")
 62. HOLE: 8 1/8" (8.1250")
 63. HOLE: 8 1/4" (8.2500")
 64. HOLE: 8 3/8" (8.3750")
 65. HOLE: 8 1/2" (8.5000")
 66. HOLE: 8 3/4" (8.6250")
 67. HOLE: 8 7/8" (8.7500")
 68. HOLE: 9" (9.0000")
 69. HOLE: 9 1/8" (9.1250")
 70. HOLE: 9 1/4" (9.2500")
 71. HOLE: 9 3/8" (9.3750")
 72. HOLE: 9 1/2" (9.5000")
 73. HOLE: 9 3/4" (9.6250")
 74. HOLE: 9 7/8" (9.7500")
 75. HOLE: 10" (10.0000")

DATE: 11MARI14
 DRAWN BY: 42B44
 CHECKED BY: 11MARI14
 SCALE: DO NOT SCALE
 TITLE: HORN ROOF NOSE
 PART NO.: 147391200
 SHEET NO.: 2 of 2
 REL: NONE

46010845 DBL MALE JMPR

46010845 DBL MALE JMPR

46010845

STRIPPING DETAIL

STRIPPING DETAIL

NOTE 1

NOTES:

- SOLDER DIP AFTER TERMINATION.

ITEM	PART NO.	DWG. NO.	DESCRIPTION	REQ.
6	8541	-----	SOLDER CONCENTRATE	.00014
5	8538	-----	SOLDER	.00200
4	2956	13394A	BULLET MOLD #2102	.00448
3	6006	05859B	TERM-#10 RING	2
2	6034	05865B	TERM-.180 BULLET	2
1	5106	13618B	2 COND CABLE, 14GA, FLAT	'B'

46010845

95242 48 *A* 48 *B*

PART NO. *A* *B*

REV	DATE	DESCRIPTION	EDN	DRN	APPD
0	3-5-99	RELEASE	1	3460	PROZ

REVISION HISTORY

TRUCK-LITE CO., INC.
FALCONER, NEW YORK USA

TRUCK-LITE CO., INC.
FALCONER, NEW YORK USA

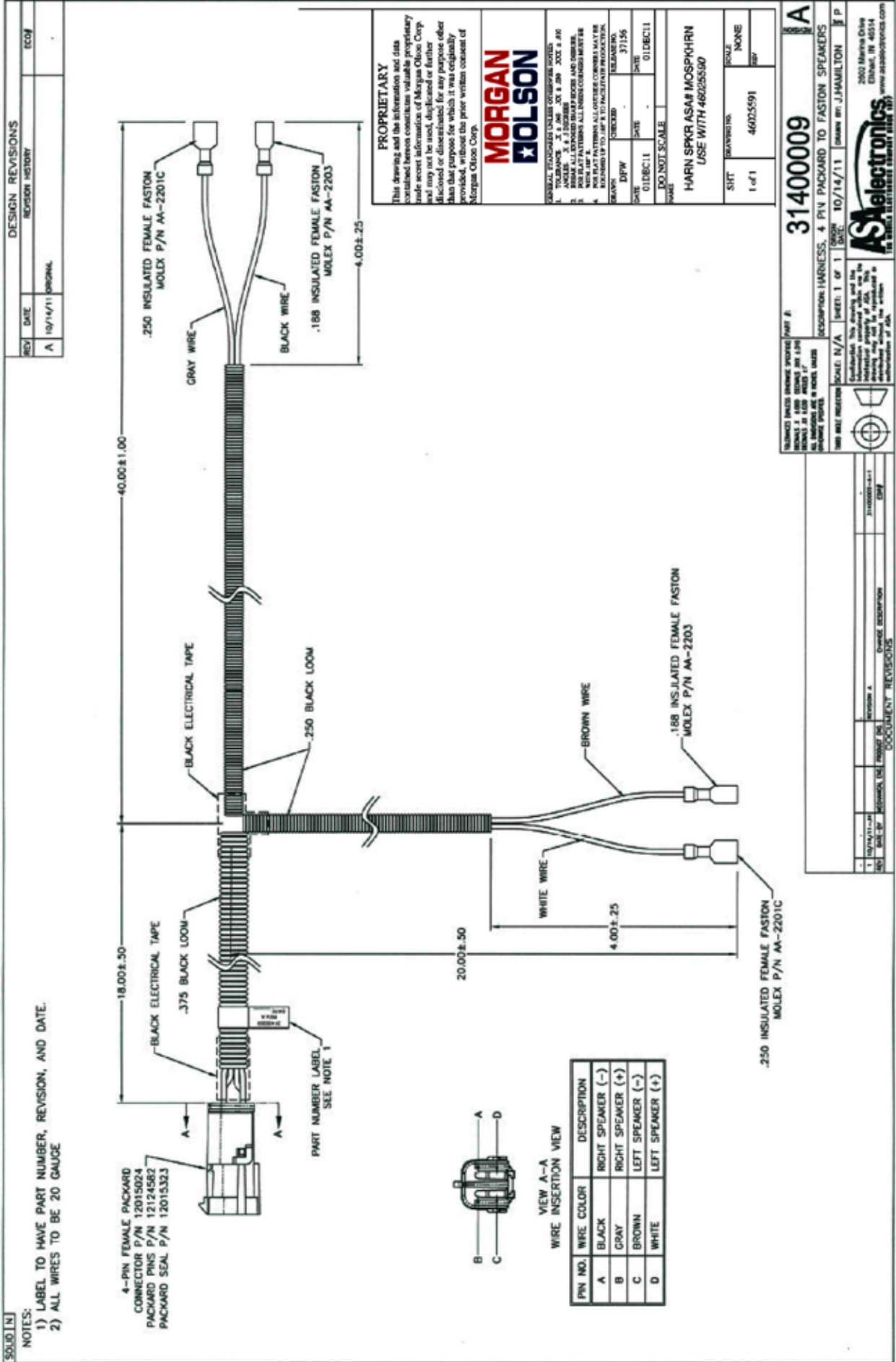
HARN - DBL MALE JMPR

99-0800

46010845

46025591 SPEAKER WIRING

46025591 SPEAKER WIRING



090093202 HARNESS D/LMP

090093202 HARNESS D/LMP

DRAWING NO.	REV.	SHEET
090093202	A	1 OF 1
DESCRIPTION		
RELEASE FOR PRODUCTION		
A	60" WAS 64"	REV. 5002
		2004

9. THIS IS A PURCHASED HARNESS. NO BILL OF MATERIAL EXISTS.
8. VENDOR MAY REPLACE PIGTAILS WITH WIRING TO APPROVED MOLDINGS OR CONNECTORS. PIGTAILS SHOWN IN TERMINAL VIEW.
7. HARNESS TO BE TESTED FOR CONTENT, OPENS, SHORTS, AND CONTINUITY.
6. CONNECTORS SHOWN FROM THE VIEWER'S SIDE, UNLESS OTHERWISE NOTED.
5. SPLICES TO BE AUTOMATED WITH SOLDER, AND ADHESIVE LINED HEAT SHRINK TUBING.
4. TAPE (1111092) 6" AT BREAKOUTS. 2" AT BREAKOUTS. OR MULTIPLEP-TERMINATED LENGTHS GREATER THAN 24" AND 2" AT LOOM ENDS.
3. HARNESS TO HAVE A LABEL SHOWING MORGAN OLSON PART NUMBER, REVISION LEVEL, AND DATE OF MANUFACTURE.
2. SPLIT POLY LOOM UNLESS OTHERWISE NOTED.

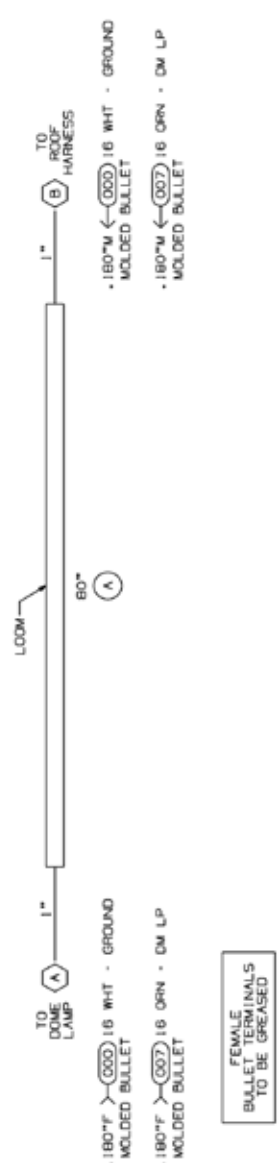
NOTES:

1. GXL WIRE.

PROPRIETARY



DATE	28B16
DATE	280C109
DATE	DO NOT SCALE
DATE	DO NOT SCALE
HARN FOR CAB D/LP	
GEN. 1800LLT	
REV.	090093202
REV.	NONE
REV.	A

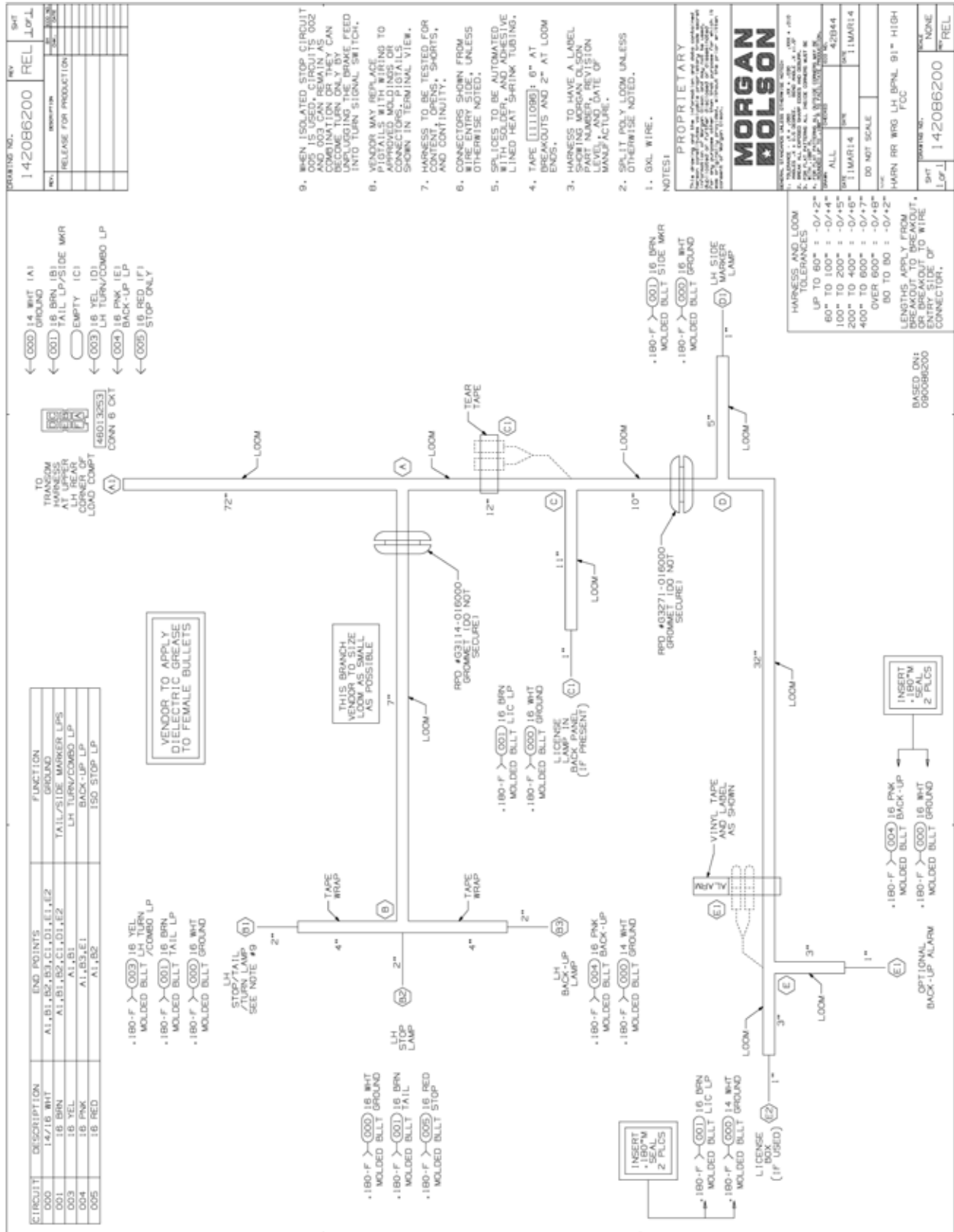


FEMALE BULLET TERMINALS TO BE GREASED

HARN AND LOOM TOLERANCES	
UP TO 60"	: -0/+2"
60" TO 100"	: -0/+4"
100" TO 200"	: -0/+8"
200" TO 400"	: -0/+8"
400" TO 600"	: -0/+7"
OVER 600"	: -0/+8"
60 TO 50	: -0/+2"
LENGTHS APPLY FROM BREAKOUT TO BREAKOUT, OR BREAKOUT TO WIRE ENTRY SIDE OF CONNECTOR, OR END OF COVER.	
FIRST USE: CV100632 BASED ON: 007368326	

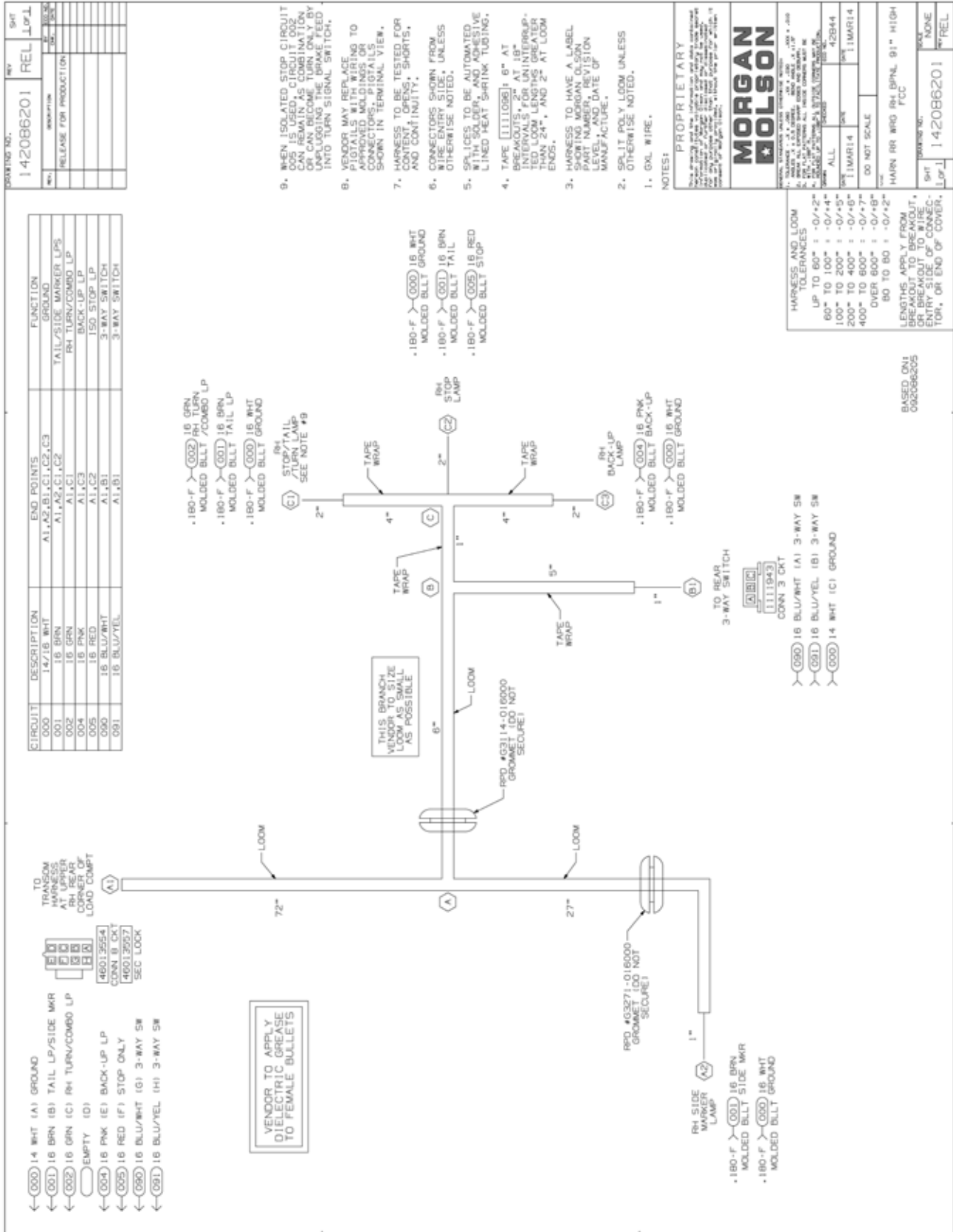
142086200 REAR WIRING

142086200 REAR WIRING



092086203 REAR WIRING

092086203 REAR WIRING



093093203 ROOF WIRING 1/2

093093203 ROOF WIRING 1/2

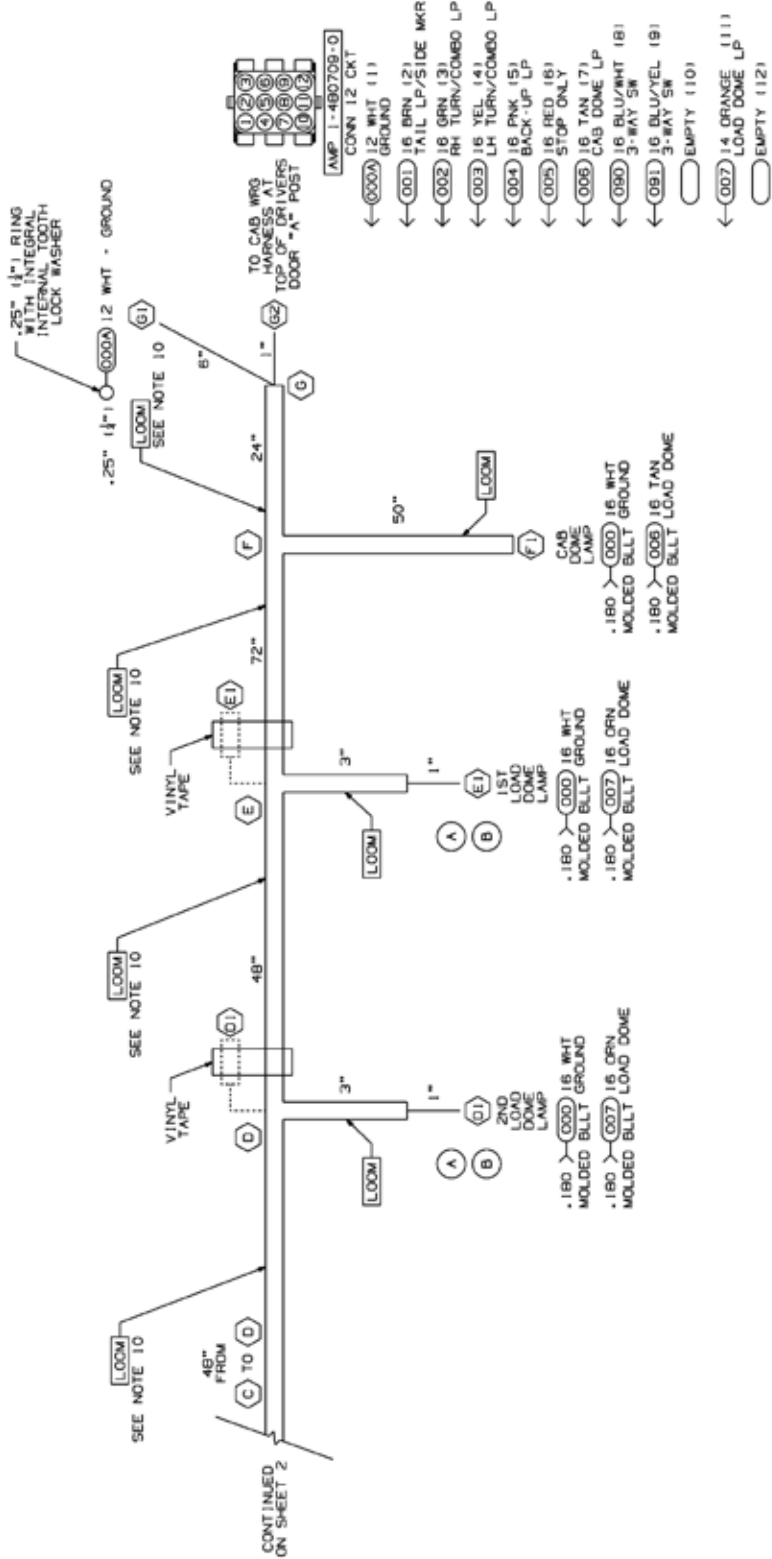
QUANTITY NO.	REV	SHT
093093203	B	1 of 2
DESCRIPTION		
RELEASE TO PRODUCTION		
A	REV'D DM LP B/A'S	21 APR 09
B	REV'D DM LP B/A'S	21 APR 09

10. MAIN TRUNK OF HARNESS MUST FIT IN A .75 DIA. WIRE CHANNEL
9. THIS IS A PURCHASED HARNESS. NO BILL OF MATERIAL EXISTS.
8. VENDOR MAY REPLACE PLUGS WITH APPROVED MOLDS OR CONNECTORS. PIGTAILS SHOWN IN TERMINAL VIEW.
7. HARNESS TO BE TESTED FOR CONTINUITY, SHORTS, AND CONTINUITY.
6. CONNECTORS SHOWN FROM WIRE ENTRY SIDE, UNLESS OTHERWISE NOTED.
5. SPLICES TO BE AUTOMATED WITH HEAT SHRINK TUBING. HEAT SHRINK BUTT SPLICES ARE ACCEPTABLE FOR M-O FABRICATION IF NECESSARY.
4. TAPE [1111088]: 6" AT BREAKOUTS AND 2" AT LOOM ENDS.
3. HARNESS TO HAVE A LABEL SHOWING MORGAN OLSON PART NUMBER, REVISION LEVEL, AND DATE OF MANUFACTURE.
2. SPLIT POLY LOOM UNLESS OTHERWISE NOTED.
1. GXL WIRE.

NOTES:
 PROPRIETARY
 THIS HARNESS IS THE PROPERTY OF MORGAN OLSON. IT IS TO BE USED ONLY FOR THE PURPOSES OF THE ORIGINAL ORDER. IT IS NOT TO BE REPRODUCED OR TRANSMITTED IN ANY FORM OR BY ANY MEANS, ELECTRONIC OR MECHANICAL, INCLUDING PHOTOCOPYING, RECORDING, OR BY ANY INFORMATION STORAGE AND RETRIEVAL SYSTEM.



MORGAN OLSON SERVICE PARTS	
1. MORGAN OLSON, U.S.A. INC.	100 N. 10TH ST. WYOMING, NE 68198
2. MORGAN OLSON SERVICE PARTS	100 N. 10TH ST. WYOMING, NE 68198
3. MORGAN OLSON SERVICE PARTS	100 N. 10TH ST. WYOMING, NE 68198
4. MORGAN OLSON SERVICE PARTS	100 N. 10TH ST. WYOMING, NE 68198
DATE	21 APR 09
BY	TJM
REV	21 APR 09
DO NOT SCALE	
HARNESS ROOF 21'-24'6" M100 TRUCK .180F BLTT	
SHT	NONE
Lot 2	093093203
	B



HARNESS AND LOOM TOLERANCES	
UP TO 60"	: -0/-2"
60" TO 100"	: -0/+4"
100" TO 200"	: -0/+5"
200" TO 400"	: -0/+6"
400" TO 600"	: -0/+7"
OVER 600"	: -0/+8"
BO TO 80"	: -0/+2"
TOLERANCE IS NOT ACCUMULATIVE. LENGTH APPLIES TO OVERALL HARNESS LENGTH, BREAKOUT TO END, OR LOOM.	

093093203 ROOF WIRING 2/2

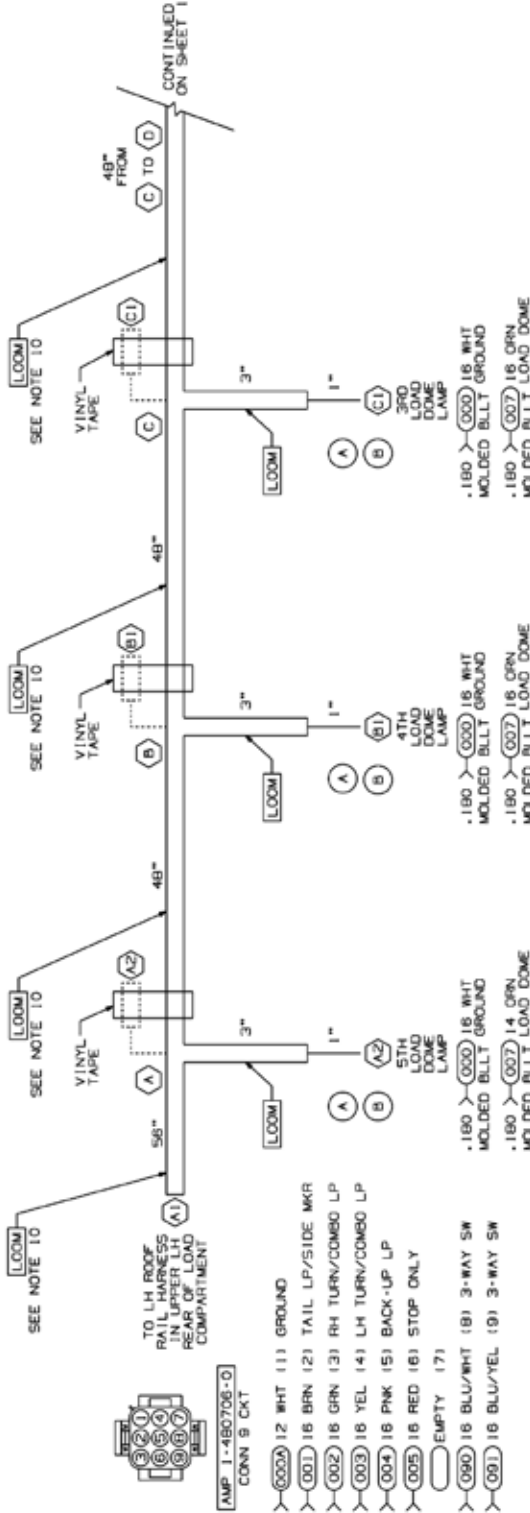
093093203 ROOF WIRING 2/2

DRAWING NO.	REV.	SHEET
093093203	B	2 of 2
DESCRIPTION	DATE	BY
RELEASE TO PRODUCTION		
A REVISED LAMP		
B REV'D DM LP B/O'S		

SPLICE 1
 000A 12 WHIT IS TO BE
 SPLICED TO THE
 0000 WHIT CIRCUIT.
 VENDOR TO DETERMINE
 LOCATION(S)!

CIRCUIT	DESCRIPTION	END POINTS	FUNCTION
000A	12 WHIT	A1, G1, G2, SPLICE 1	GROUND
001	14/16 WHIT	A2, B1, C1, D1, E1, F1, SPLICE 1	GROUND
002	16 BRN	A1, G2	CLERK/ICC LPS
003	16 GRN	A1, G2	RH TURN LP
004	16 YEL	A1, G2	LH TURN LP
005	16 PNK	A1, G2	BACK-UP LPS
006	16 RED	A1, G2	STOP LPS
007	16 TAN	F1, G2	CAB DOME LP
008	14/16 GRN	A2, B1, C1, D1, E1, G2	LOAD DOME LAMPS
009	16 BLU/WHIT	A1, G2	3-WAY SWITCH - LOAD DMS
010	16 BLU/YEL	A1, G2	3-WAY SWITCH - LOAD DMS

10. MAIN TRUNK OF HARNESS MUST FIT IN A .75 DIA. WIRE CHANNEL
9. THIS IS A PURCHASED HARNESS. NO BILL OF MATERIAL EXISTS.
8. VENDOR MAY REPLACE PIGTAILS WITH WIRING TO APPROVED MOLDS OR CONNECTORS. PIGTAILS SHOWN IN TERMINAL VIEW.
7. HARNESS TO BE TESTED FOR CONTENT GAINS, SHORTS, AND CONTINUITY.
6. CONNECTORS SHOWN FROM WIRE ENTRY SIDE, UNLESS OTHERWISE NOTED.
5. SPLICES TO BE AUTOMATED WITH HEAT SHRINK TUBING. HEAT SHRINK BUTT SPLICES ARE ACCEPTABLE FOR M-O FABRICATION IF NECESSARY.
4. TAPE [1111098]: 6" AT BREAKOUTS AND 2" AT LOOM ENDS.
3. HARNESS TO HAVE A LABEL SHOWING MORGAN OLSON PART NUMBER, REVISION NUMBER, DATE OF MANUFACTURE.
2. SPLIT POLY LOOM UNLESS OTHERWISE NOTED.
1. GVL WIRE.



HARNESS AND LOOM TOLERANCES

UP TO 60"	: -0/+2"
60" TO 100"	: -0/+4"
100" TO 200"	: -0/+5"
200" TO 400"	: -0/+6"
400" TO 600"	: -0/+7"
OVER 600"	: -0/+8"

BO TO B0 : -0/+2"

TOLEANCE IS NOT ACCUMULATIVE. LENGTH APPLIES TO OVERALL HARNESS LENGTH, BREAKOUT TO END, OR LOOM.

PROPRIETARY

MORGAN OLSON

1. HARNESS SHALL BE MANUFACTURED IN ACCORDANCE WITH THE MORGAN OLSON HARNESS MANUFACTURING STANDARDS. 2. HARNESS SHALL BE MANUFACTURED IN ACCORDANCE WITH THE MORGAN OLSON HARNESS MANUFACTURING STANDARDS. 3. HARNESS SHALL BE MANUFACTURED IN ACCORDANCE WITH THE MORGAN OLSON HARNESS MANUFACTURING STANDARDS. 4. HARNESS SHALL BE MANUFACTURED IN ACCORDANCE WITH THE MORGAN OLSON HARNESS MANUFACTURING STANDARDS.

DATE: 21APR08
 TIME: 2:48:36
 DO NOT SCALE

HARNESS ROOF 21'-24'6"
 M100 TRUCK .180F BLT

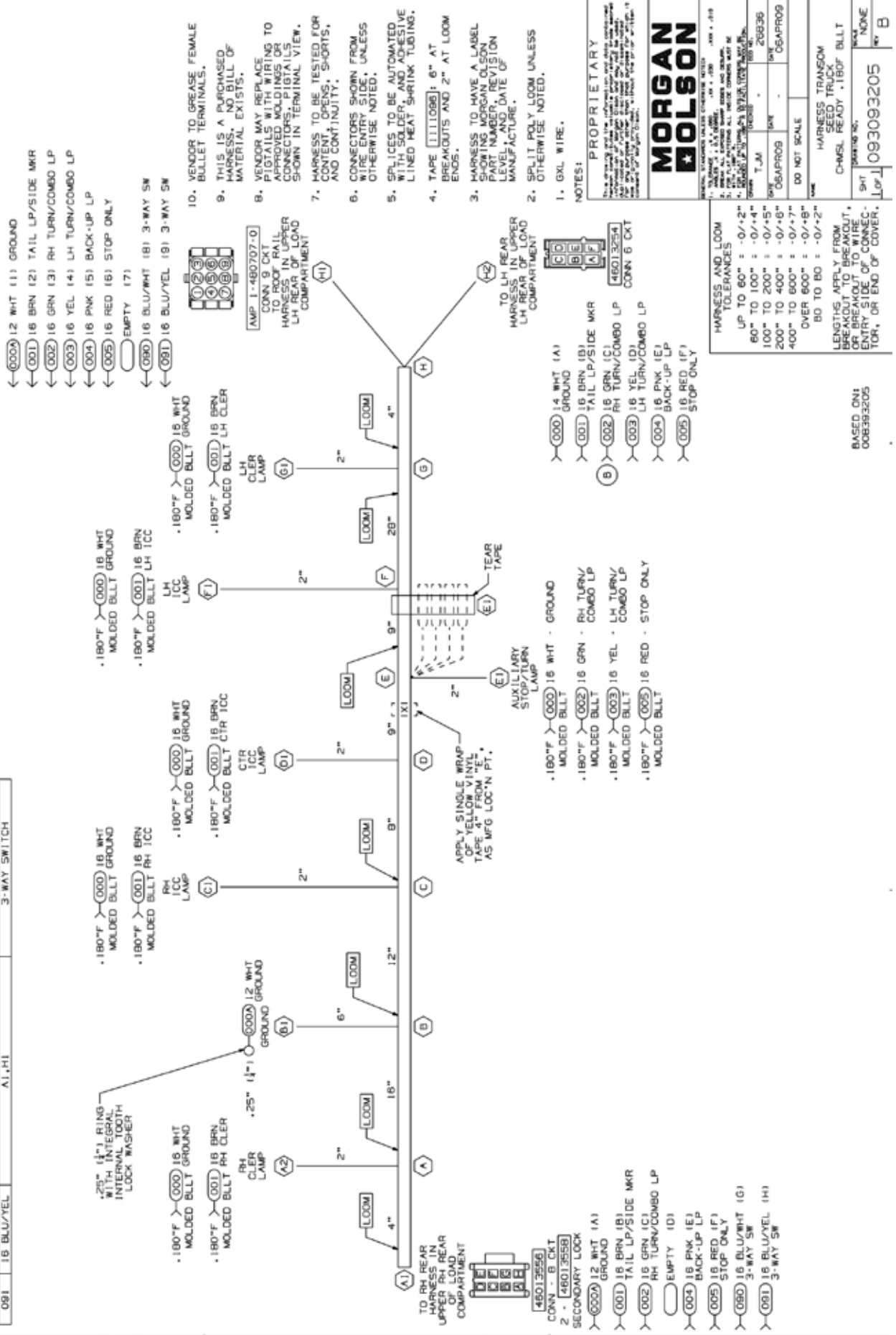
093093203

093093205 TRANSOM WIRING

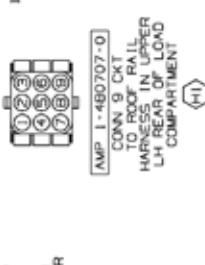
093093205 TRANSOM WIRING

DRAWING NO.	REV	SHT
093093205	B	1 of 1
DESCRIPTION		
RELEASE TO PRODUCTION		
A REDRAWN & REVISED		
B ADDED SIGNAL 002 TO MTS CONNECTOR AT I2		

CIRCUIT DESCRIPTION	END POINTS	FUNCTION
000A 12 WHT	A1, B1, H1, SPLICE 1	GROUND
000 14/16 WHT	A2, C1, D1, E1, F1, G1, H2, SPLICE 1	GROUND
001 16 BRN	A1, A2, C1, D1, F1, H1, H2	CLER/ICC/MARKER LAMPS
002 16 GRN	A1, E1, H1, H2	RH TURN/COMBO LP
003 16 YEL	E1, H1, H2	LH TURN/COMBO LP
004 16 PNK	A1, H1, H2	BACK-UP LAMPS
005 16 RED	A1, E1, H1, H2	STOP ONLY LAMPS
090 16 BLU/WHT	A1, H1	3-WAY SWITCH
091 16 BLU/YEL	A1, H1	3-WAY SWITCH



- ← 000A 12 WHT (1) GROUND
- ← 001 16 BRN (2) TAIL LP/SIDE MWR
- ← 002 16 GRN (3) RH TURN/COMBO LP
- ← 003 16 YEL (4) LH TURN/COMBO LP
- ← 004 16 PNK (5) BACK-UP LP
- ← 005 16 RED (6) STOP ONLY
- ← 090 16 BLU/WHT (8) 3-WAY SW
- ← 091 16 BLU/YEL (9) 3-WAY SW



- VENDOR TO GEASE FEMALE BULLET TERMINALS.
- THIS IS A PURCHASED HARNESS. NO BILL OF MATERIAL EXISTS.
- VENDOR MAY REPLACE PIGTAILS WITH WIRING TO APPROVED MOLDINGS OR CONNECTORS. PIGTAILS SHOWN IN TERMINAL VIEW.
- HARNESSES TO BE TESTED FOR CONTENT, SPENS, SHORTS, AND CONTINUITY.
- CONNECTORS SHOWN FROM WIRE ENTRY SIDE, UNLESS OTHERWISE NOTED.
- SPLICES TO BE AUTOMATED WITH SOLDER, AND ADHESIVE LINED HEAT SHRINK TUBING.
- TAPE (1111088): 6" AT BREAKOUTS AND 2" AT LOOM ENDS.
- HARNESSES TO HAVE A LABEL SHOWING MORGAN OLSON PART NUMBER, REVISION LEVEL, AND DATE OF MANUFACTURE.
- SPLIT POLY LOOM UNLESS OTHERWISE NOTED.
- GXL WIRE.

PROPRIETARY

MORGAN OLSON

MORGAN OLSON ELECTRONICS, INC.
 1. 2400 N. S.A. AVE. #100
 2. 2400 N. S.A. AVE. #100
 3. 2400 N. S.A. AVE. #100
 4. 2400 N. S.A. AVE. #100

T. J.M.
 DATE: 05AFR09
 26836
 05AFR09

DO NOT SCALE

HARNES TRANSOM
 SEED TRUCK
 CHMSL READY - 18DF BLLT

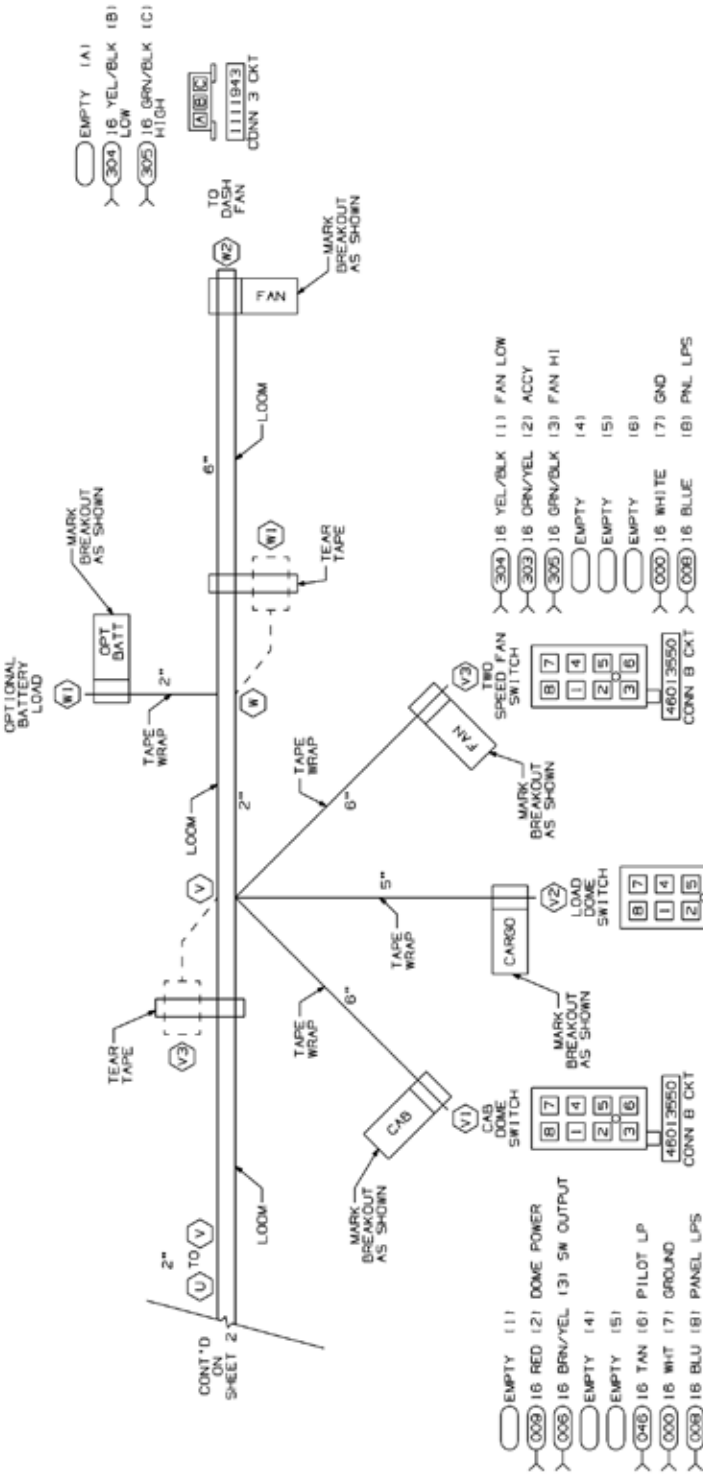
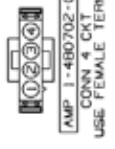
093093205

098084203 INSTRUMENT PANEL 1/4

DRAWING NO.	REV.	SHT
098084203	C	1 of 4
DESCRIPTION		
REV.	DATE	BY
RELEASE FOR PRODUCTION		
A	REVISED BETWEEN 0005-J AND 0005-K	DEF. 2850
B	REV'D B/O "H1" AND "H2"	DEF. 2850
C	"H1" WAS 3" SHEET 2	ALL. 2850

VENDOR TO KEEP LOOM SIZE AS SMALL AS POSSIBLE

- > (000) 16 WHT (1) GROUND
- > (00B) 16 BLU (2) PNL LPS
- > (204) 14 RED/BLK (3) BATT-AUX
- > (224) 14 RED/GRN (4) OPT. LD



- > (000) 16 BLU/WHT (1) 3 WAY SW
- > (117) 16 WHT/RED (2) RLY COIL
- > (002) 16 BLU/YEL (3) 3 WAY SW (FOR GND)
- > () EMPTY (4)
- > () EMPTY (5)
- > (000) 16 GRN (6) LOAD DOME
- > (000) 16 WHT (7) GND
- > (00B) 16 BLU (8) PANEL LPS

HARN. AND LOOM TOLERANCES

UP TO 60"	: -0/+2"
60" TO 100"	: -0/+4"
100" TO 200"	: -0/+5"
200" TO 400"	: -0/+8"
400" TO 800"	: -0/+7"
OVER 800"	: -0/+8"

50 TO 80 : -0/+2"

LENGTHS APPLY FROM BREAKOUT TO BREAKOUT, ENTRY SIDE OF CONNECTOR, OR END OF COVER.

FIRST USE: 007384210

9. THIS IS A PURCHASED HARN. NO BILL OF MATERIAL EXISTS.
- B. VENDOR MAY REPLACE PIGTAILS WITH WIRING TO APPROVED MOLDINGS OR CONNECTORS. PIGTAILS SHOWN IN TERMINAL VIEW.
7. HARN. TO BE TESTED FOR CONTENT, OPENS, SHORTS.
6. CONNECTORS SHOWN FROM REVERSE VIEW, UNLESS OTHERWISE NOTED.
5. SPLICES TO BE AUTOMATED WITH SOLDER, AND ADHESIVE LINED HEAT SHRINK TUBING.
4. TAPE (1111098): 6" AT BREAKOUTS AND 2" AT LOOM ENDS.
3. HARN. TO HAVE A LABEL SHOWING MORGAN OLSON PART NUMBER, REVISION LEVEL, AND DATE OF MANUFACTURE.
2. SPLIT POLY LOOM UNLESS OTHERWISE NOTED.
1. GXL WIRE.

NOTES:

PROPRIETARY



DATE	REV.	BY
0600CT09	-	28501
DO NOT SCALE		DE00CT09
HARN 1/P FCC 2009 M-100		
2P D/PK INT MFR RKR SW		
SHT	NO. OF SHEETS	REV.
1 of 4	098084203	C

098084203 INSTRUMENT PANEL 4/4

098084203 INSTRUMENT PANEL 4/4

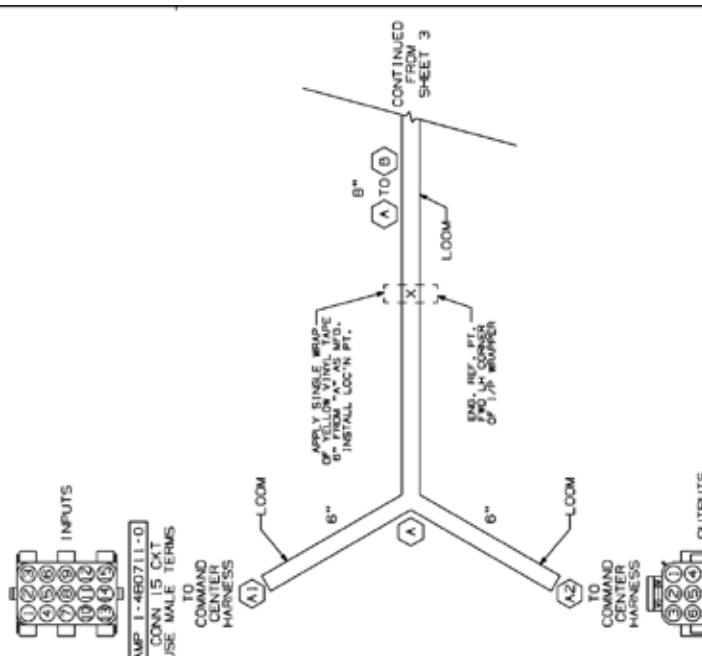
REV	DESCRIPTION	REV	DATE
098084203	C	4 of 4	
RELEASE FOR PRODUCTION			
A	REVISED TERMINALS	DATE	BY
B	REV'D B/O "H1"	DATE	BY
C	7" WAS 3" SHEET 2	DATE	BY
	7" WAS 3" SHEET 1	DATE	BY

CIRCUIT	DESCRIPTION	END POINTS	FUNCTION
000	12/14/16 WHI	A1,C1,N1,Q1,R1,T1,T2,U1,V1,V2,V3,W1	GROUND
006	15 BRN/YEL	F1,V1	CAB DOME LAMP SWITCH OUTPUT
007	14/16 GRN	A2,B1,F2,V2	LOAD DOME LAMP(S)
008	15 BLU	A1,T1,U1,V1,V2,V3,W1	PANEL LAMPS (THRU DIMMER SWITCH)
009	12/16 RED	A1,B1,V1	DOME BATTERY FEED
036	15 BRN/WHI	C1,E1	CAB DOME TO TIMER
046	15 TAN	A2,C1,V1	CAB DOME LAMP
080	15 BLU/WHI	A1,V2	LOAD DOME LAMPS 3-WAY SWITCH
091	15 BRN/YEL	A1,N2	LOAD DOME LAMPS 3-WAY SWITCH
092	15 BLU/YEL	P1,V2	LOAD DOME LAMPS 3-WAY SWITCH
100	12 WHI/RED	A2,J1	ELECTRIC HVAC GROUND
101	12 GRN	A1,J1	ELECTRIC HVAC ACCESSORY POWER
111	15 PNK/BLK	A1,M	WASHER PUMP
116	14 RED/GRN	A1,O1,R1	LIGHTER (BATTERY)
117	15 WHI/RED	B1,O1,V2	LOAD DOME LAMPS RELAY COIL GROUND
118	15 BLK/RED	A1,O1	LOAD DOME LAMPS RELAY COIL BATTERY
121	15 WHI/BLU	A2,M	WASHER PUMP GROUND
122	15 GRN/WHI	B1,O1	WASHER PUMP GROUND
200	10 WHI/RED	G1,G2	GROUND - AUX
204	14 RED/BLK	A1,G1,W1	BATTERY POWER - AUX
206	14 GRN/BLK	A1,G1,U1	AUX BATTERY POWER - SWITCHED
224	14 RED/GRN	A2,M1	AUX ACCESSORY POWER - SWITCHED
226	14 GRN/GRN	A2,U1	FAN SWITCH POWER
303	15 GRN/YEL	A1,V3	DASH FAN LOW
304	15 YEL/BLK	A2,V3,W2	DASH FAN HIGH
305	15 GRN/BLK	A2,V3,W2	RH SPEAKER (NEGATIVE)
400	15 GRY/BLK	A2,T2	RH SPEAKER (POSITIVE)
401	15 GRY/WHI	A2,T2	LH SPEAKER (NEGATIVE)
402	15 WHI/BLK	A2,T2	LH SPEAKER (POSITIVE)
403	15 WHI/GRN	A2,T2	RADIO BATTERY FEED
404	15 WHI/WHI	A1,T2	RADIO ACCESSORY FEED
405	15 RED/YEL	A1,T2	CAB DOME JAMPER
JPR1	15 TAN	C2,C2	LOAD DOME JAMPER
JPR2	15 GRY	D2,D2	LOAD DOME JAMPER

* OPTIONAL: CIRCUITS 400 & 401 MAY BE SUPPLIED AS STANDARD SPEAKER "ZIP CORO" PAIRS. CIRCUIT NUMBER AND CONNECTOR INDEXING MUST BE MAINTAINED AS SHOWN.
 * OPTIONAL: CIRCUITS 402 & 403 MAY BE SUPPLIED AS STANDARD SPEAKER "ZIP CORO" PAIRS. CIRCUIT NUMBER AND CONNECTOR INDEXING MUST BE MAINTAINED AS SHOWN.

- ← (000) 12 WHI (11) BODY GROUND
- ← (008) 15 BLU (12) PANEL LAMPS
- ← (009) 12 RED (13) BATTERY-DOME LPS
- ← (080) 15 BLU/WHI (41) 3-WAY SWITCH
- ← (081) 15 BLU/YEL (51) 3-WAY SWITCH
- ← (101) 12 GRN (51) ACCESSORY-HVAC
- ← (111) 15 PNK/BLK (171) WASHER PUMP
- ← (116) 14 RED/GRN (81) BATT-12V OUTLET
- ← (118) 15 BLK/RED (91) DOME RLY COIL B*
- ← (204) 14 RED/BLK (110) BATTERY-AUX
- ← (206) 14 GRN/BLK (111) ACCESSORY-AUX
- ← (303) 15 GRN/YEL (112) ACCESSORY-FAN
- ← (404) 15 YEL/WHI (113) BATTERY-RADIO
- ← (405) 15 RED/YEL (114) ACCESSORY-RADIO
- () EMPTY (115)

- (007) 14 GRN (111) LOAD DOME LAMPS
- (046) 15 TAN (21) TO CAB DOME LAMPS
- (121) 15 WHI/BLU (13) WASHER GROUND
- (224) 14 RED/GRN (41) SWITCHED BAT LOAD
- (226) 14 GRN/GRN (51) SWITCHED ACY LOAD
- (304) 15 YEL/BLK (51) DASH FAN LOW
- (305) 15 GRN/BLK (171) DASH FAN HIGH
- (400) 15 GRY/BLK (81) RH SPEAKER-NEG
- (401) 15 GRY/WHI (91) RH SPEAKER-POS
- (402) 15 WHI/BLK (110) LH SPEAKER-NEG
- (403) 15 WHI/GRN (111) LH SPEAKER-POS
- (100) 12 WHI/RED (112) HVAC GROUND



PROPRIETARY
 This drawing and all information contained hereon are the property of Morgan Olson. No part of this drawing may be reproduced or transmitted in any form or by any means, electronic, mechanical, photocopying, recording, or by any information storage and retrieval system, without the prior written permission of Morgan Olson.

MORGAN OLSON

GENERAL HEADQUARTERS: 10000 W. 112TH AVE., SUITE 100, BLDG. 100 • BLDG. 100 • BLDG. 100
 ST. LOUIS, MISSOURI 63141-1000 • TEL: 314-991-1000 • FAX: 314-991-1001
 1-800-233-4823 • WWW.MORGANOLSON.COM

DATE: 08OCT09
 DRAWN BY: [blank]
 CHECKED BY: [blank]
 DESIGNED BY: [blank]

DO NOT SCALE

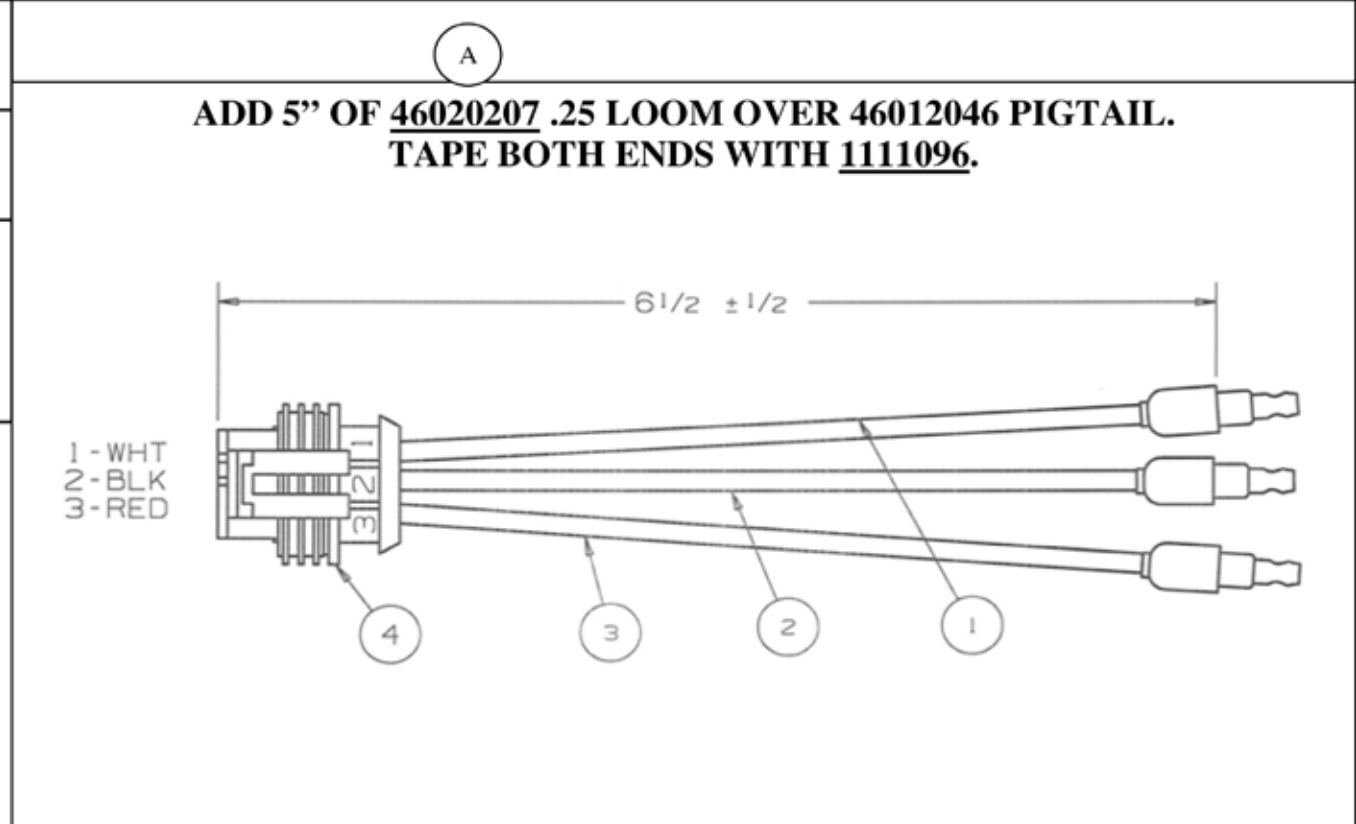
HARN 1/P FCC 2009 M-100
 2P D/PK INT WPR RKR SW

SHEET 4 of 4
 DRAWING NO. 098084203
 REV. C

100081201 REAR LAMPS

100081201 REAR LAMPS

SHT 1 of 1
REV A
Drawing No. 100081201



DIGITAL PHOTO DRAWING



GENERAL STANDARDS UNLESS OTHERWISE NOTED:
 1. TOLERANCE- .X ± .060 .XX ± .030 .XXX ± .010
 ANGLES- .X ± .5 DEGREES
 2. BREAK ALL EXPOSED SHARP EDGES AND DEBURR.
 3. FOR FLAT PATTERNS ALL INSIDE CORNERS MUST BE WITH .188" R.
 4. FOR FLAT PATTERNS ALL OUTSIDE CORNERS MAY BE ROUNDED UP TO .188" R TO FACILITATE PRODUCTION.

A	LOOM 46020207 WAS 46020201	MTS	43454
REV	DESCRIPTION	BY	REL.NO.
		CHK.	DATE

DRAWN	CHECKED	RELEASE NO.
TJM		31075
DATE	DATE	DATE
12MAY10		12MAY10
DO NOT SCALE		
NAME		

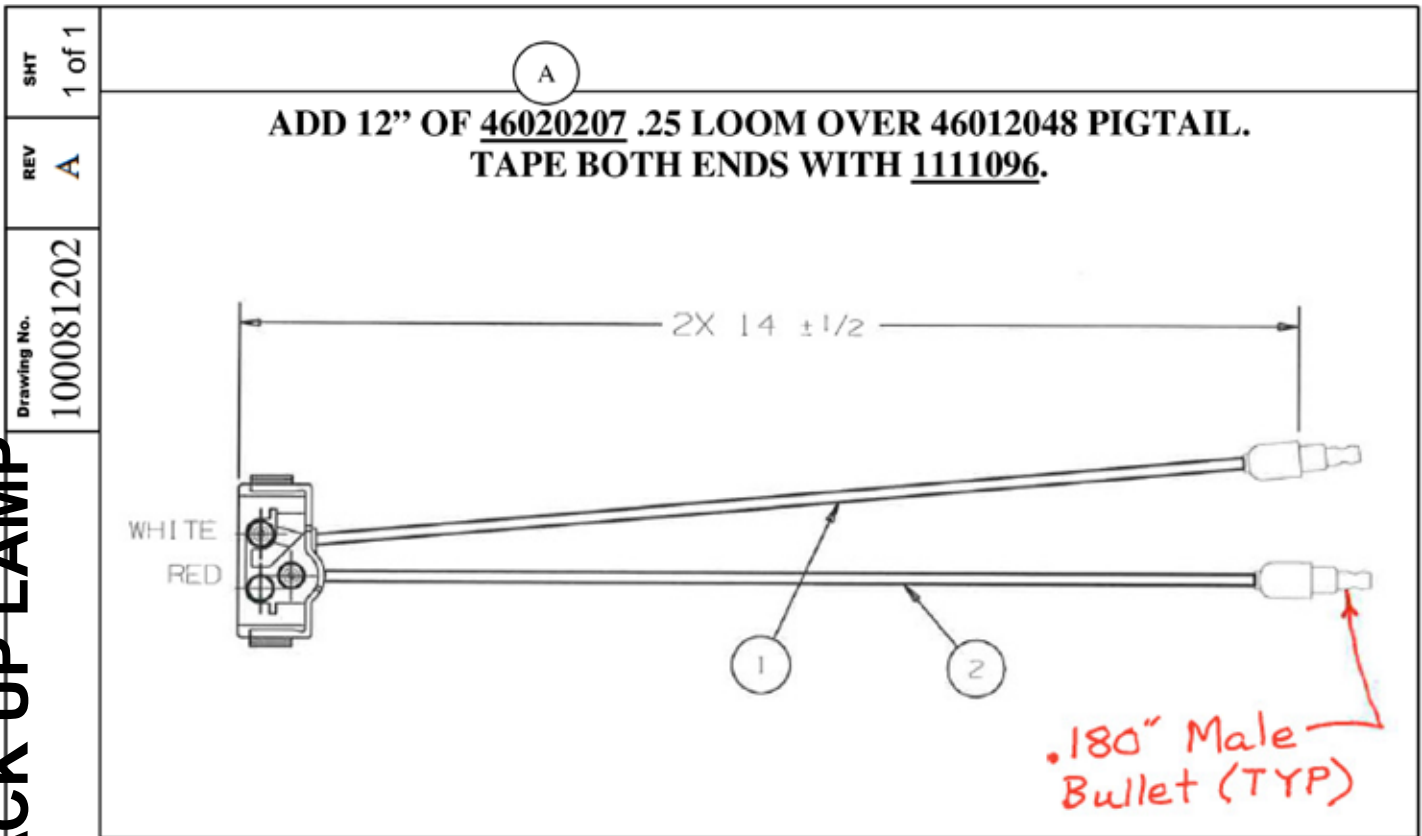
PROPRIETARY

This drawing and the information and data contained hereon constitutes valuable proprietary trade secret information of Morgan Olson Corp. and may not be used, duplicated or further disclosed or disseminated for any purpose other than that purpose for which it was originally provided, without the prior written consent of Morgan Olson Corp.

HARN A S/T/T WITH LOOM (LOOM OVER 46012046)		
SHT	DRAWING NO.	SCALE
1 of 1	100081201	NONE
		REV
		A

100081202 BACK UP LAMP

100081202 BACK UP LAMP



DIGITAL PHOTO DRAWING



- GENERAL STANDARDS UNLESS OTHERWISE NOTED:
1. TOLERANCE- .X ± .060 .XX ± .030 .XXX ± .010
ANGLES- .X ± .5 DEGREES
 2. BREAK ALL EXPOSED SHARP EDGES AND DEBURR.
 3. FOR FLAT PATTERNS ALL INSIDE CORNERS MUST BE WITH .188" R.
 4. FOR FLAT PATTERNS ALL OUTSIDE CORNERS MAY BE ROUNDED UP TO .188" R TO FACILITATE PRODUCTION.

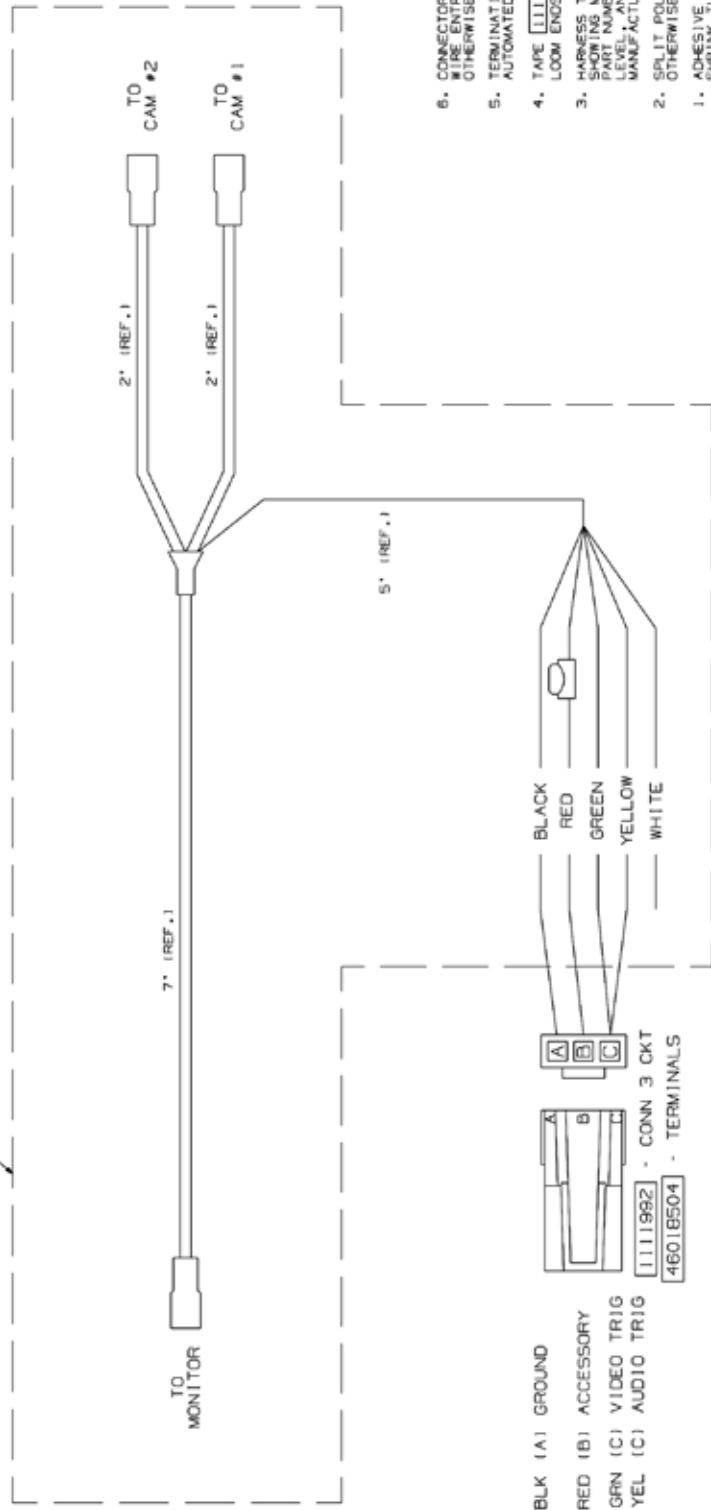
				DRAWN TJM	CHECKED	RELEASE NO. 31075
A	LOOM 46020207 WAS 46020201	MTS	43454	DATE 12MAY10	DATE	DATE 12MAY10
			6/10/14			
REV	DESCRIPTION	BY	RELNO.	DO NOT SCALE		
		CHK.	DATE	NAME		
PROPRIETARY				HARN A B/U WITH LOOM (LOOM OVER 46012048)		
<p>This drawing and the information and data contained hereon constitutes valuable proprietary trade secret information of Morgan Olson Corp. and may not be used, duplicated or further disclosed or disseminated for any purpose other than that purpose for which it was originally provided, without the prior written consent of Morgan Olson Corp.</p>				SHT	DRAWING NO.	SCALE NONE
				1 of 1	100081202	REV A

110094201 MOD SV LCD

110094201 MOD SV LCD

DRAWING NO.	REV	SHT
110094201		1 OF 1
REV	DESCRIPTION	DATE
	RELEASE TO PRODUCTION	

SUBJECT MATTER SHOWN WITHIN DOTTED LINES COMPRISES THE INTERFACE CABLE ASSEMBLY SUPPLIED WITHIN THE #48200107 MONITOR KIT



- CONNECTORS SHOWN FROM WIRE ENTRY SIDE, UNLESS OTHERWISE NOTED.
- TERMINATIONS TO BE AUTOMATED.
- TAPE [1111096]: 2" AT LOOM ENDS.
- HARNESS TO HAVE A LABEL WITH MORGAN OLSON PART NUMBER, REVISION LEVEL, AND DATE OF MANUFACTURE.
- SPLIT POLY LOOM UNLESS OTHERWISE NOTED.
- ADHESIVE LINED HEAT SHRINK TUBING.

NOTES:

PROPRIETARY
 THIS DRAWING IS THE PROPERTY OF MORGAN OLSON SERVICE PARTS. IT IS TO BE USED ONLY FOR THE MANUFACTURE OF THE PARTS IDENTIFIED HEREIN. IT IS NOT TO BE REPRODUCED, COPIED, OR TRANSMITTED IN ANY FORM OR BY ANY MEANS, ELECTRONIC OR MECHANICAL, INCLUDING PHOTOCOPYING, RECORDING, OR BY ANY INFORMATION STORAGE AND RETRIEVAL SYSTEM.



SPECIAL INSTRUCTIONS TO THE CUSTOMER:	
1. MORGAN OLSON SERVICE PARTS, 110094201	REV. A.110
2. THIS HARNESS IS TO BE USED ONLY FOR THE MANUFACTURE OF THE PARTS IDENTIFIED HEREIN.	
3. THIS HARNESS IS TO BE USED ONLY FOR THE MANUFACTURE OF THE PARTS IDENTIFIED HEREIN.	
4. THIS HARNESS IS TO BE USED ONLY FOR THE MANUFACTURE OF THE PARTS IDENTIFIED HEREIN.	
5. THIS HARNESS IS TO BE USED ONLY FOR THE MANUFACTURE OF THE PARTS IDENTIFIED HEREIN.	
6. THIS HARNESS IS TO BE USED ONLY FOR THE MANUFACTURE OF THE PARTS IDENTIFIED HEREIN.	
7. THIS HARNESS IS TO BE USED ONLY FOR THE MANUFACTURE OF THE PARTS IDENTIFIED HEREIN.	
8. THIS HARNESS IS TO BE USED ONLY FOR THE MANUFACTURE OF THE PARTS IDENTIFIED HEREIN.	
9. THIS HARNESS IS TO BE USED ONLY FOR THE MANUFACTURE OF THE PARTS IDENTIFIED HEREIN.	
10. THIS HARNESS IS TO BE USED ONLY FOR THE MANUFACTURE OF THE PARTS IDENTIFIED HEREIN.	
DATE	29DEC09
BY	96
CHKD BY	29DEC09
DO NOT SCALE	M:100
HARN MOD SV LCD MON W/INTGR. CTLS 2011	
DRAWING NO.	110094201
SHT	1 OF 1
REV	NONE

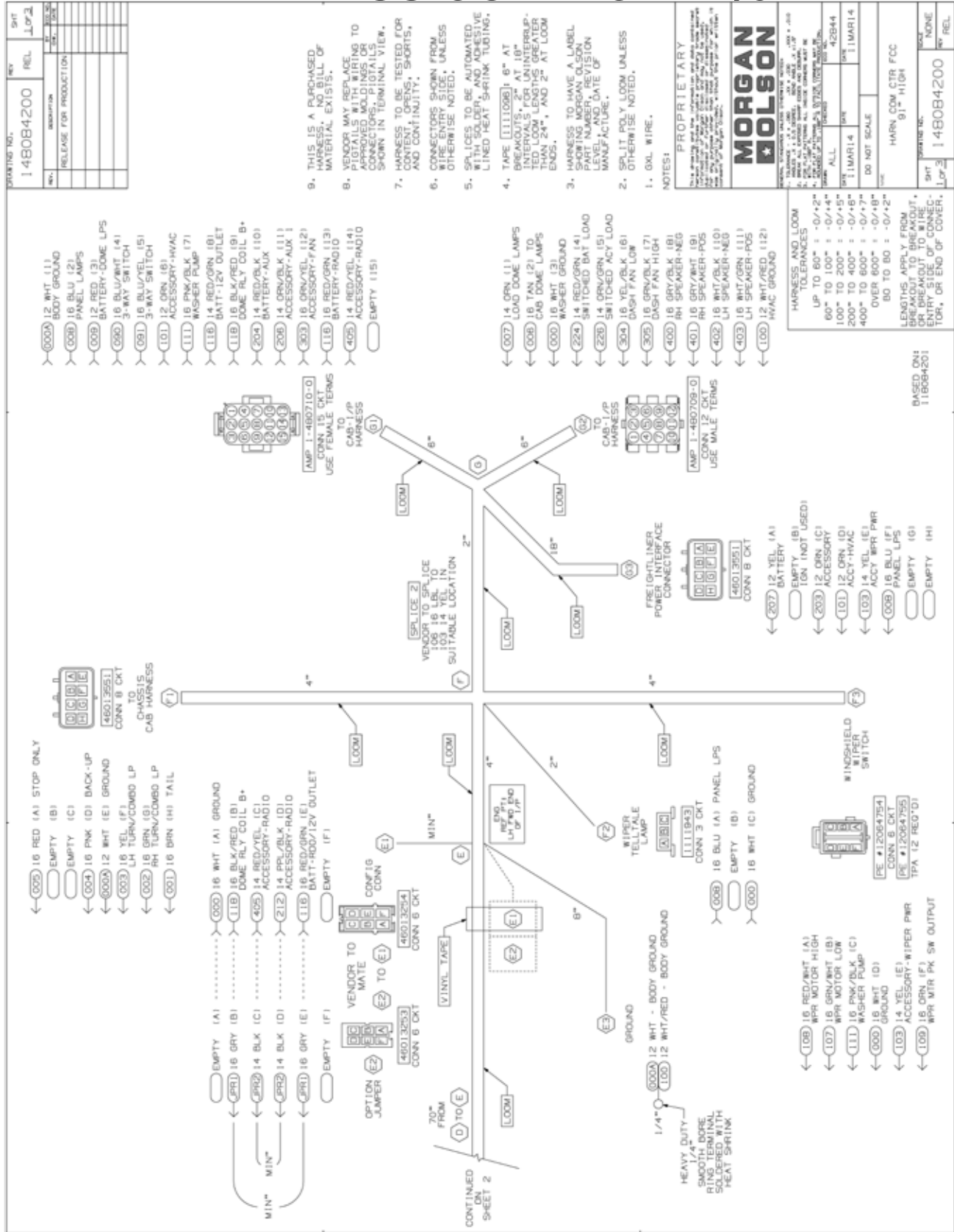
HARNESS AND LOOM TOLERANCES	
UP TO 60"	± 0/-2"
60" TO 100"	± 0/-4"
100" TO 200"	± 0/-5"
200" TO 400"	± 0/-6"
400" TO 600"	± 0/-7"
OVER 600"	± 0/-8"
BO TO BO	± 0/-2"
TOLERANCE IS NOT ACCUMULATIVE. LENGTH APPLIES TO OVERALL HARNESS LENGTH, BREAKOUT TO END, OR LOOM.	

- INSULATE BLUNT CUT END OF WHITE POWER LEAD, USING #46032502 HEAT SHRINK TUBING.
- TERMINATE THE REMAINING COLORED POWER LEADS, AND POPULATE INTO CONNECTOR BODY AS SHOWN.
- COVER POWER LEADS WITH #46020200 LOOM, TAPE ENDS AND ELSEWHERE AS NECESSARY, TO CLOSE LOOM.
- COVER MONITOR LEAD WITH #46020201 LOOM, TAPE ENDS AND ELSEWHERE AS NECESSARY, TO CLOSE LOOM.
- COVER CAMERA #1 LEAD WITH #46020201 LOOM AND TAPE ENDS.
- FOLD BACK, AND SECURE CAMERA #2 LEAD TO MONITOR LEAD, USING #46026310 TYWRAPS.

FIRST USE: CALIBRATION BASED ON 097084203

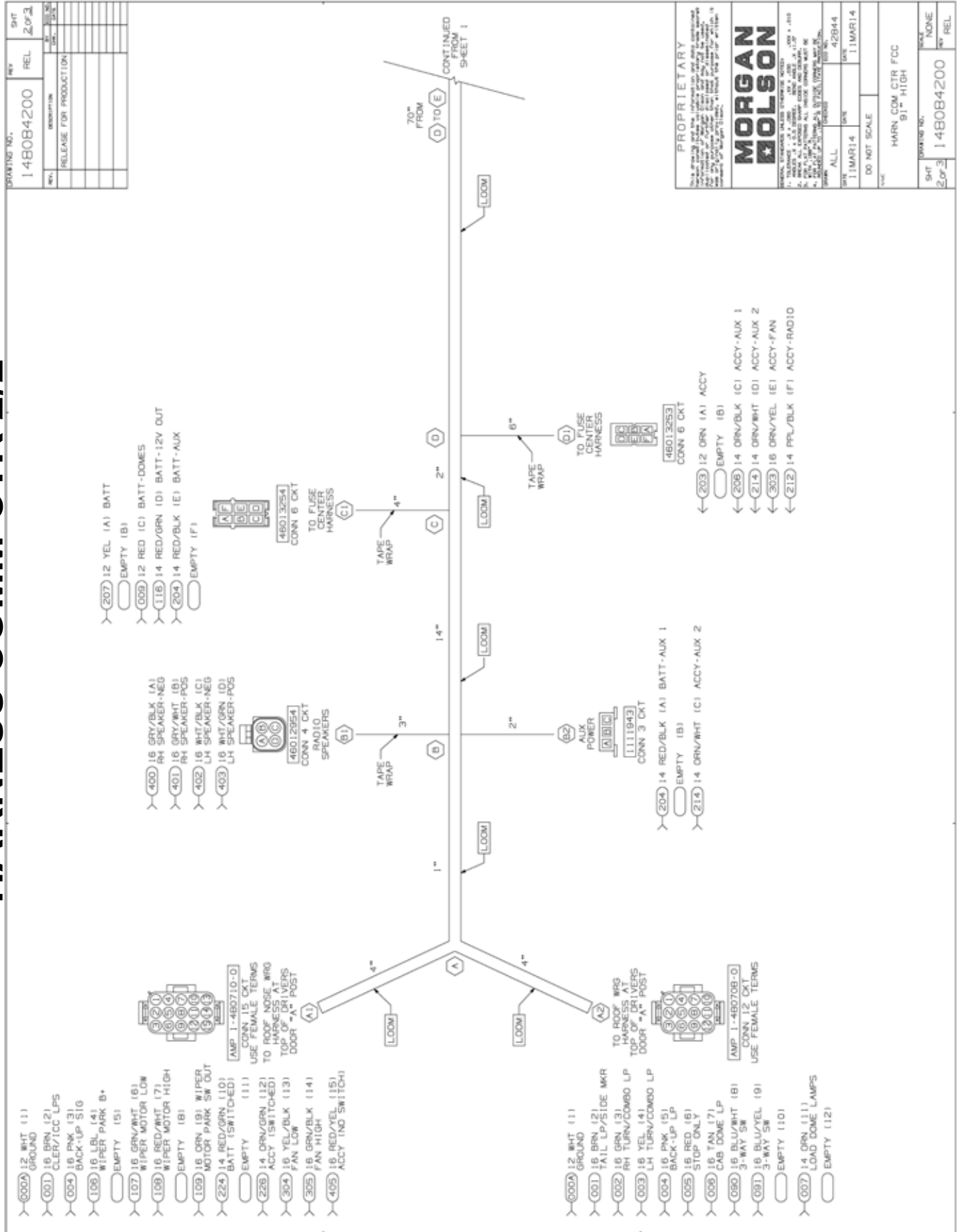
HARNES COMM CTR 1/3

HARNES COMM CTR 1/3



HARNES COMM CTR 2/2

HARNES COMM CTR 2/2



PROPRIETARY

MORGAN OLSON

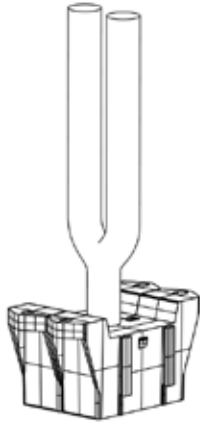
1. THIS DRAWING IS THE PROPERTY OF MORGAN OLSON SERVICE PARTS. IT IS TO BE USED ONLY FOR THE PARTS AND SERVICES SPECIFIED HEREON. IT IS NOT TO BE REPRODUCED, COPIED, OR TRANSMITTED IN ANY FORM OR BY ANY MEANS, ELECTRONIC OR MECHANICAL, INCLUDING PHOTOCOPYING, RECORDING, OR BY ANY INFORMATION STORAGE AND RETRIEVAL SYSTEM. VIOLATION OF THIS NOTICE IS SUBJECT TO PROSECUTION.

DATE: 11 MAR 14
 DRAWN BY: ALL
 CHECKED BY: 42844
 DO NOT SCALE
 HARN. COMM CTR FCC
 91" HIGH
 SHEET NO. 2 of 3
 PART NO. 148084200
 SCALE NONE
 REL REL

098084202 FUSE CENTER

098084202 FUSE CENTER

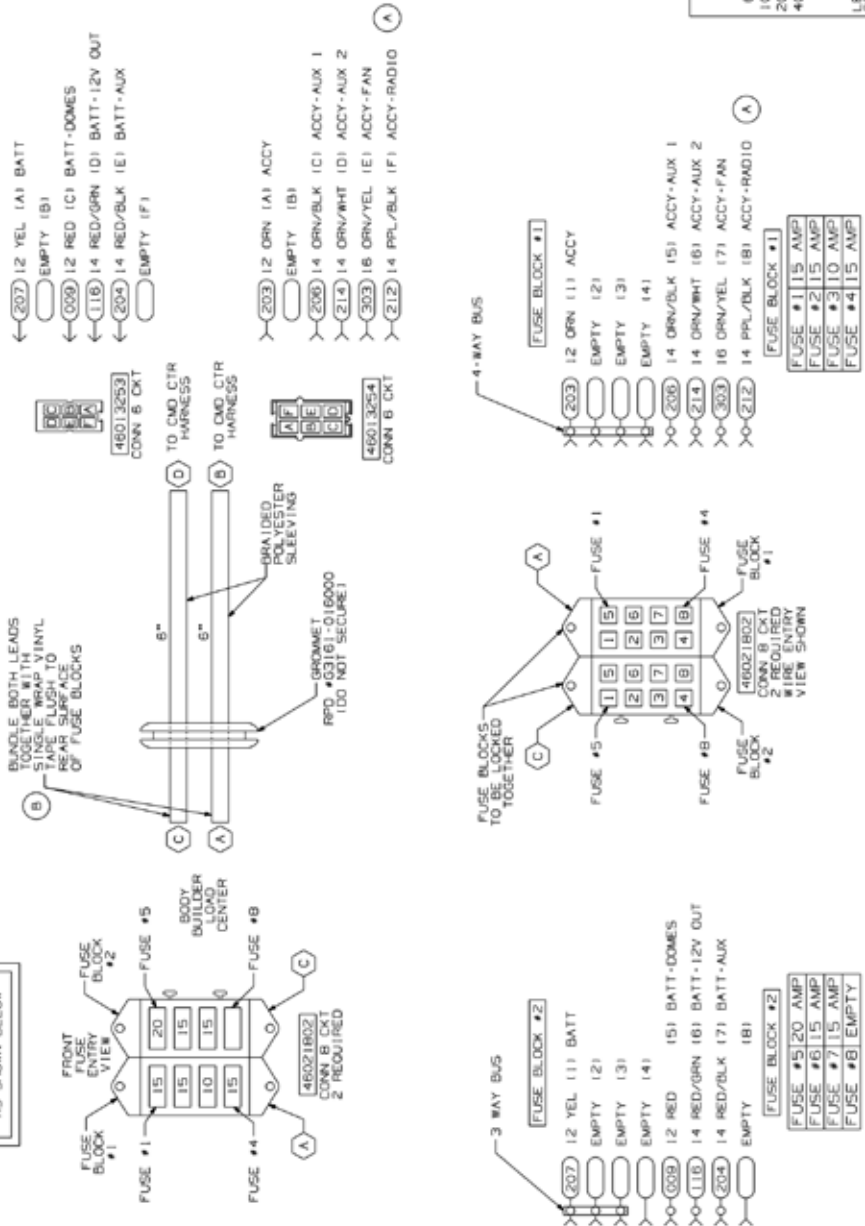
WORKING NO.	REV	SHT
098084202	B	1 OF 1
REV.	DESCRIPTION	DATE
A	RELEASE FOR PRODUCTION	08/21/2009
B	CHG 212 14 GRN/BLK BATT-12V OUT	08/21/2009
	WAS 14 GRN/BLK BATT-12V OUT	
	WAS 14 GRN/BLK BATT-12V OUT	
	WAS 14 GRN/BLK BATT-12V OUT	



LAY OF WIRE TO BE SUCH THAT WIRING EXTENDS STRAIGHT OUT FROM REAR OF CENTER OF FUSE BLOCK ASSEMBLY, AS SHOWN

CIRCUIT	DESCRIPTION	END POINTS	FUNCTION
009	12 RED	C, D	BATT-DOMES
116	14 RED/GRN	C, D	BATT-12V OUT
203	12 GRN	A, B	ACCY
204	14 RED/BLK	C, D	BATT-AUX
206	14 GRN/BLK	A, B	ACCY-AUX 1
207	12 YEL	C, D	BATT
212	14 PPL/BLK	A, B	ACCY-RADIO
214	14 GRN/WHI	A, B	ACCY-AUX 2
303	16 GRN/YEL	A, B	ACCY-FAN

NOTE: FUSES AND FUSEBLOCKS MUST BE ORIENTED AS SHOWN BELOW



- THIS IS A PURCHASED PART. NO BILL OF MATERIALS EXISTS.
- BRAIDED POLYESTER SLEEVING TO BE CLOSED AT BOTH ENDS. SLEEVING TO BE ADHESIVE LINED HEAT SHRINK TUBING, AND TAPED [111098] 6" AT BREAKOUTS.
- VENDOR MAY REPLACE PILOTAILS WITH WIRING TO BE USED FOR CONNECTORS. PILOTAILS SHOWN IN TERMINAL VIEW.
- HARNESSES TO BE TESTED FOR CONTINUITY, SHORTS, AND CONTINUITY.
- CONNECTORS SHOWN FROM TERMINAL VIEW, UNLESS OTHERWISE NOTED.
- SPLICES TO BE AUTOMATED WITH SOLDER, AND ADHESIVE LINED HEAT SHRINK TUBING.
- TAPE [111098] 6" AT BREAKOUTS AND 2" AT LOOM ENDS.
- HARNESSES TO HAVE A LABEL WITH THE ORGANIZATION PART NUMBER, REVISION LEVEL, AND DATE OF MANUFACTURE.
- SPLIT POLY LOOM UNLESS OTHERWISE NOTED.
- OXL WIRE.

NOTES:
 PROPRIETARY
 THIS DOCUMENT IS THE PROPERTY OF MORGAN OLSON SERVICE PARTS. IT IS TO BE USED ONLY FOR THE PURPOSES INDICATED. IT IS NOT TO BE REPRODUCED, COPIED, OR TRANSMITTED IN ANY FORM OR BY ANY MEANS, ELECTRONIC OR MECHANICAL, INCLUDING PHOTOCOPYING, RECORDING, OR BY ANY INFORMATION STORAGE AND RETRIEVAL SYSTEM. WITHOUT THE WRITTEN PERMISSION OF MORGAN OLSON SERVICE PARTS, THIS DOCUMENT IS TO BE DESTROYED.

MORGAN OLSON

DATE	T.M.	REVISED	BY	DATE
				28198
DO NOT SCALE	RSK	2009		
HARN FUSE CTR FCC 2009 M-100				
SHT	WORKING NO.	REV.		
1 OF 1	098084202	NONE		B

HARNESSES AND LOOM TOLERANCES

UP TO 60"	-0/+2
60" TO 100"	-0/+4
100" TO 200"	-0/+5
200" TO 400"	-0/+6
400" TO 600"	-0/+7
OVER 600"	-0/+8

LENGTHS APPLY FROM BREAKOUT TO BREAKOUT OR BREAKOUT TO WIRE ENTRY SIDE OF CONNECTOR, OR END OF COVER.