



W.B. MASON

FOR OFFICE SUPPLIES, FURNITURE & PRINTING

2016 Parts Catalog



2016 Morgan Olson Body
2016 Freightliner Chassis MT55

RSK 22' 91H 93WX218
JV001377



1.800.233.4823

WWW.MORGANOLSON.COM

THIS PARTS CATALOG APPLIES TO THE FOLLOWING DELIVERY VEHICLES

| Vin # | Unit # |
|-------------------|---------------|
| 4UZAARDU8HCHW4271 | 664757 |
| 4UZAARDUXHCHW4272 | 664758 |
| 4UZAARDU3HCHW4274 | 664760 |
| 4UZAARDU5HCHW4275 | 664761 |
| 4UZAARDU2HCHW4329 | 664770 |
| 4UZAARDU9HCHW4330 | 664771 |
| 4UZAARDU0HCHW4331 | 664772 |
| 4UZAARDU2HCHW4332 | 664773 |
| 4UZAARDU4HCHW4333 | 664774 |
| 4UZAARDU8HCHW4335 | 664775 |
| 4UZAARDUXHCHW4336 | 664883 |
| 4UZAARDU1HCHW4337 | 664884 |
| 4UZAARDU3HCHW4338 | 664891 |
| 4UZAARDU5HCHW4339 | 664892 |
| 4UZAARDU1HCHW4340 | 664893 |
| 4UZAARDU6HCHW4270 | 665011 |

| | |
|-------------------------------------|-------|
| VEHICLE VIN #s AND UNIT #s | 2 |
| TABLE OF CONTENTS | 3 |
| INTRODUCTION | 4 |
| CAB | 5 |
| WINDSHIELD | 6 |
| INSTRUMENT PANEL | 7 |
| HOOD | 8-9 |
| STEPS | 10 |
| SEATS | 11 |
| FLOOR | 12 |
| SIDES | 13-14 |
| STIFFENERS & FLOOR OVERLAYS | 15 |
| ROOF | 16 |
| BACK | 17 |
| BULKHEAD | 18 |
| SIDE DOORS | 19 |
| SIDE DOOR POCKETS | 20-21 |
| REAR DOOR (ROLL UP DOOR) | 22-25 |
| CARGO CONTROL | 26-27 |
| BUMPERS | 28 |
| MIRRORS & WINDSHIELD WIPER ASSEMBLY | 29-30 |
| HEATER | 31-32 |
| ELECTRICAL | 33-34 |
| MISCELLANEOUS | 35-36 |
| WIRING DIAGRAMS | 37-60 |

This parts guide contains illustrations and part numbers for W.B. Mason Package Cars, RYDER Unit Numbers 664757 to 665011, bill of material # JV001377 produced in 2016.

This book has been divided into chapters.

Each chapter has illustrations with part numbers and descriptions.

Each part is pointed out to help identify it. Orientation references are from the rear of the vehicle facing forward. LH (LEFT HAND) is roadside and RH (RIGHT HAND) is curbside.

Procedure to Order Parts

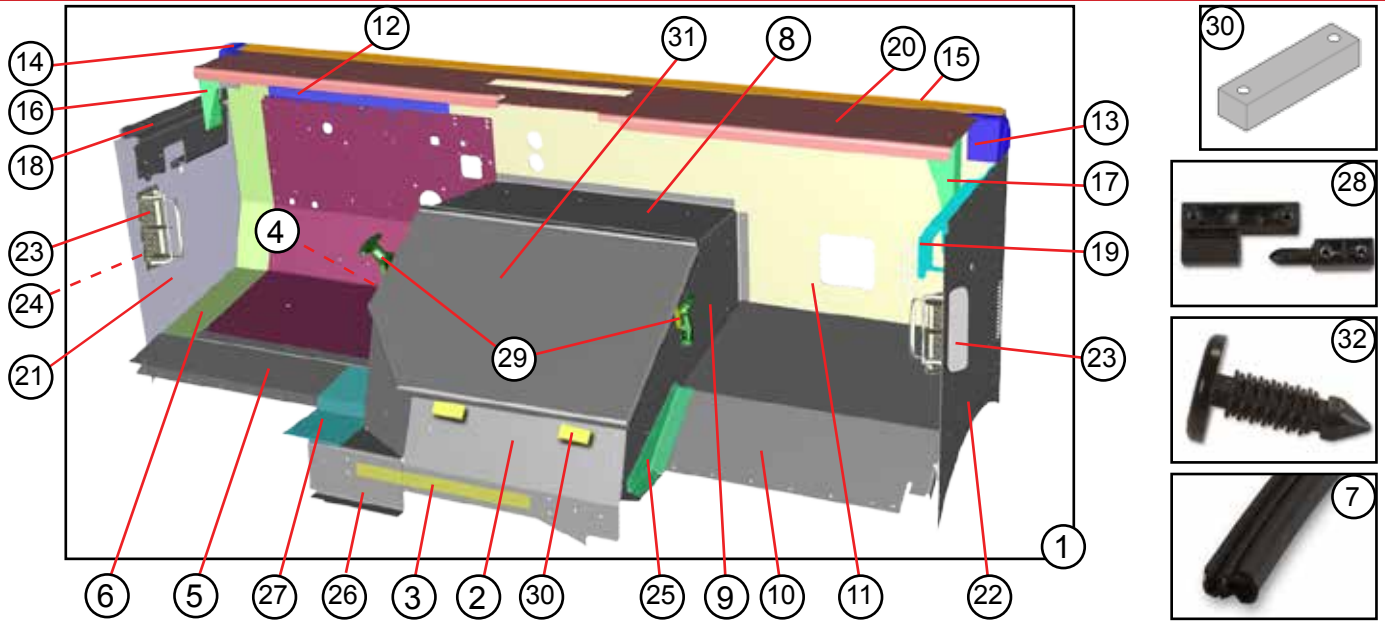
1. Depending on the part desired, turn to the appropriate section.
2. Locate the desired part on the Illustration Page(s) and note it's part number.
3. Contact a Morgan Olson Service Parts Representative. Have part numbers readily available.
4. When placing orders, please have VIN number, part numbers, serial number of roll up door.

FOR WARRANTY INFORMATION CALL 1-800-262-3437

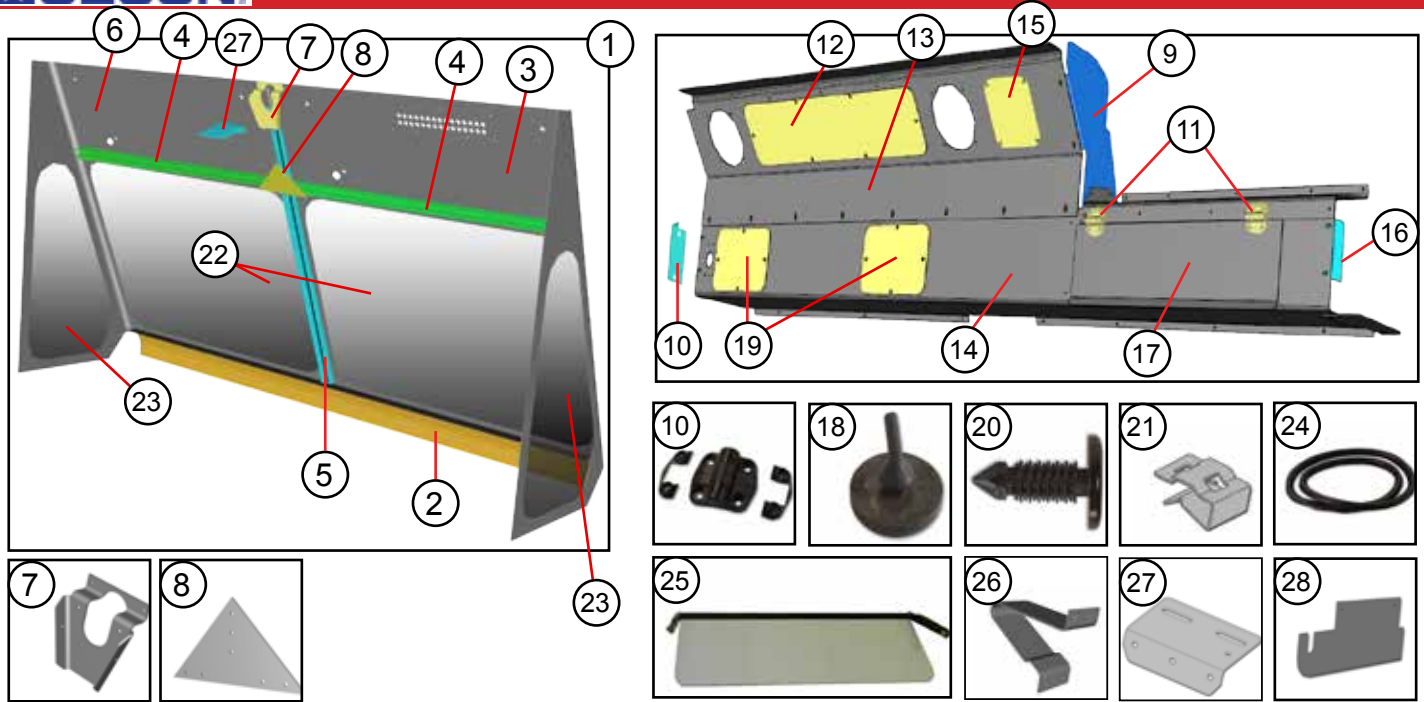
ANY QUESTIONS OR CONCERNS SHOULD BE DIRECTED TO YOUR SERVICE
PARTS REPRESENTATIVE AT
1-800-233-4823

At Morgan Olson, our quest for quality and safety is ongoing and therefore the specifications on the product described herein may vary over time.

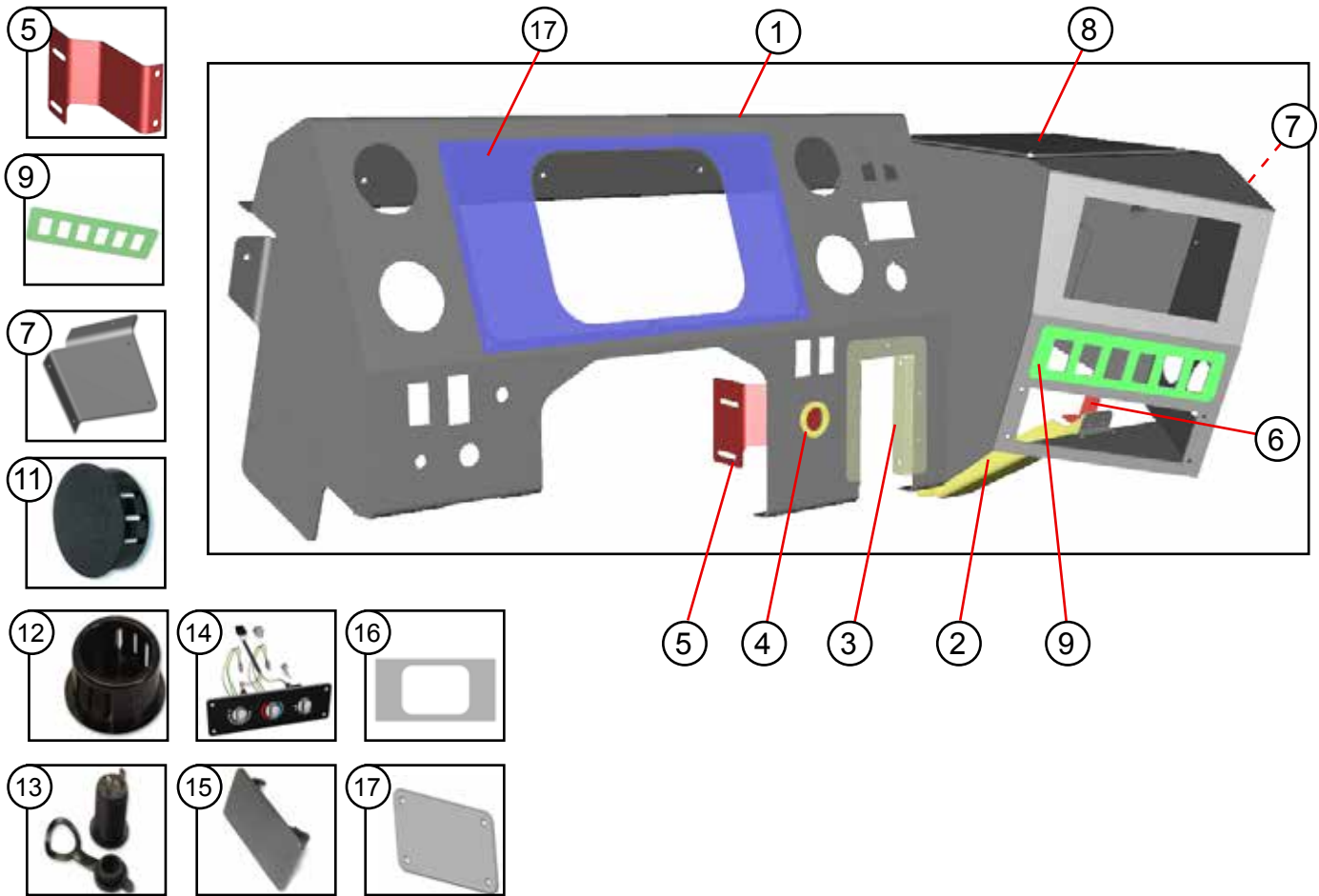
Please contact Morgan Olson for the latest product information and available safety feature options.



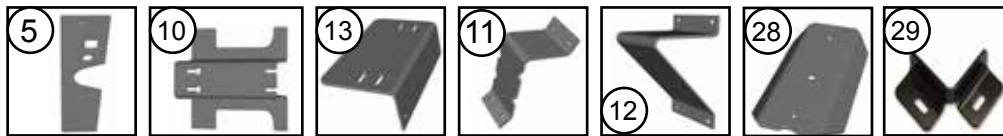
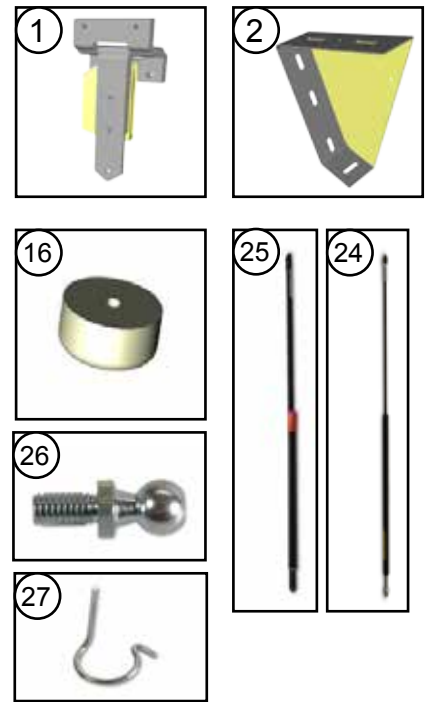
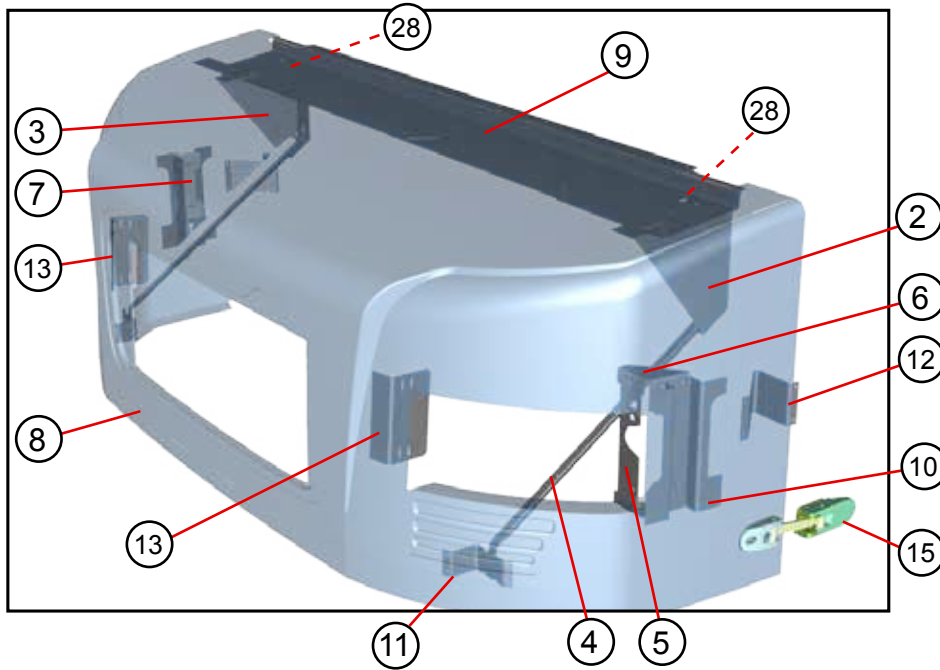
| ITEM # | PART # | DESCRIPTION | QTY. | UNIT |
|--------|-----------|-----------------------------------|------|------|
| 1 | 138005200 | CAB ASSEMBLY | 1 | EA |
| 2 | 098005502 | ENGINE BOX SADDLE | 1 | EA |
| 3 | 077050402 | SHIM | 1 | EA |
| 4 | 098005503 | ENGINE BOX SIDE ROADSIDE | 1 | EA |
| 5 | 077050423 | TOE BOARD ROADSIDE | 1 | EA |
| 6 | 077050419 | TOE BOARD DASH ROADSIDE | 1 | EA |
| 7 | 1107270 | SEAL TR SCHLEG1426-X999 | 8 | FT |
| 8 | 098005400 | ENGINE BOX TOP | 1 | EA |
| 9 | 098005501 | ENGINE BOX HOUSING | 1 | EA |
| 10 | 098005462 | DASH PANEL | 1 | EA |
| 11 | 098005472 | DASH WALL CURBSIDE | 1 | EA |
| 12 | 077050408 | DASH WALL ROADSIDE | 1 | EA |
| 13 | 8502001 | CORNER CASTING CURBSIDE | 1 | EA |
| 14 | 8502000 | CORNER CASTING ROADSIDE | 1 | EA |
| 15 | 083023402 | WINDSHIELD RAIL | 1 | EA |
| 16 | 083005418 | SUPPORT RAIL ROADSIDE | 1 | EA |
| 17 | 083005419 | SUPPORT RAIL CURBSIDE | 1 | EA |
| 18 | 077050400 | STIFFENER ROADSIDE | 1 | EA |
| 19 | 077050401 | STIFFENER CURBSIDE | 1 | EA |
| 20 | 093005512 | DASH SHELF | 1 | EA |
| 21 | 093005421 | CAB SKIRT ROADSIDE | 1 | EA |
| 22 | 135005400 | CAB SKIRT CURBSIDE | 1 | EA |
| 23 | 47008545 | VENT 2 WAY HINGLESS | 2 | EA |
| 24 | 47008548 | VENT GASKET | 2 | EA |
| 25 | 077050406 | GUSSET TOE BOARD CURBSIDE | 1 | EA |
| 26 | 077050411 | FILLER SADDLE | 1 | EA |
| 27 | 077050446 | HEEL SCUFF PLATE | 1 | EA |
| 28 | 47007859 | HINGE OFFSET | 2 | EA |
| 29 | 1113336 | LATCH | 2 | EA |
| 30 | 117028400 | SHIM ENGINE BOX | 2 | EA |
| 31 | 098028402 | LID ENGINE BOX | 1 | EA |
| 32 | 47006630 | CLIP PLASTIC ROUND/HEAD 1.32-1.34 | 27 | EA |



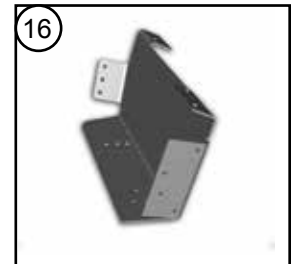
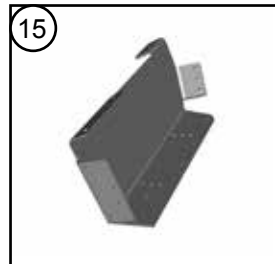
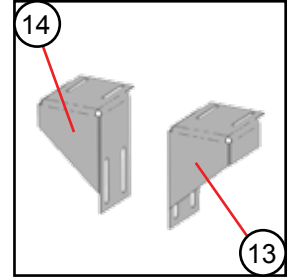
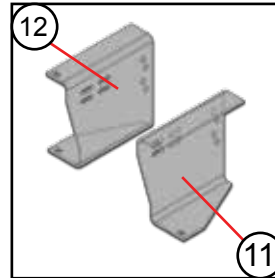
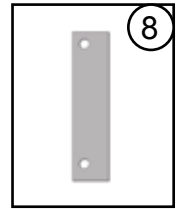
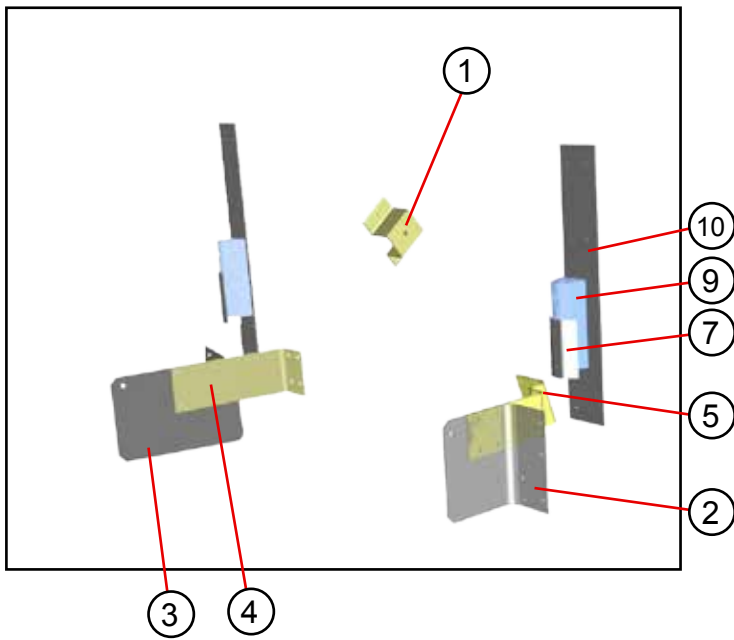
| ITEM # | PART # | DESCRIPTION | QTY. | UNIT |
|--------|-----------|--|------|------|
| 1 | 148055200 | WINDSHIELD ASSEMBLY 85H93W NO VENT | 1 | EA |
| 2 | 083023402 | WINDSHIELD RAIL (SEE PAGE 4 ITEM 15) | 1 | EA |
| 3 | 148055400 | FRAME W/S AL .102X53.45X70.25 CURBSIDE | 1 | EA |
| 4 | 077055404 | STIFFENER W/S AL 450540X44.25 | 2 | EA |
| 5 | 148055402 | POST W/S CENTER AL 450540X44.84 | 1 | EA |
| 6 | 148055401 | FRAME WINDSHEILD ROADSIDE | 1 | EA |
| 7 | 077055402 | GUSSET FRAME W/S AL .125X6.49X7.27 | 1 | EA |
| 8 | 998555329 | GUSSET FRAME W/S AL .125X4.6X9.19 | 1 | EA |
| 9 | 148076405 | COVER WIPER END AL.102X13X26.28 | 1 | EA |
| 10 | 088076449 | BRACKET, MOUNTING AL.102X2.36X3.9 LH | 1 | EA |
| 11 | 47007888 | HINGE | 2 | EA |
| 12 | 097076435 | PLATE COVER ACC AL.070X6X28.38 | 1 | EA |
| 13 | 148076404 | COVER MOTOR WIPER AL.102X19.96X59.84 | 1 | EA |
| 14 | 148076401 | SHELF LOWER WRP AL.102X18.85X87.9 | 1 | EA |
| 15 | 097076437 | PLATE COVER ACC AL.070X5.75X5.75 | 1 | EA |
| 16 | 088076450 | BRACKET MOUNTING AL .102X2.36X3.9 RH | 1 | EA |
| 17 | 088076447 | COVER DOOR COMPARTMENT AL .102X6.31X23 | 1 | EA |
| 18 | 1107102 | PLUG BPR D/R | 2 | EA |
| 19 | 097076436 | PLATE COVER ACC AL.070X6X10 | 2 | EA |
| 20 | 47006610 | CLIP PUSH IN .45HEADX.64 | 52 | EA |
| 21 | 46021115 | CLIP LARGE BODY PAN | 1 | EA |
| 22 | 96756400 | GLASS WINDSHIELD | 2 | EA |
| 23 | 148056400 | GLASS SIDE TRIANGLE | 2 | EA |
| 24 | 44004303 | WEATHER STRIPPING LS-1660 X147.5 | 2 | EA |
| 24 | 44004308 | WEATHER STRIPPING LS-1660 X87 | 2 | EA |
| 25 | 47005504 | SUN VISOR | 2 | EA |
| 26 | 090061400 | BRACKET SUN VISOR CURBSIDE | 1 | EA |
| 27 | 083055454 | BRACKET WIPER MOTOR AL.102X4.5X4.64 | 1 | EA |
| 28 | 158076401 | PANEL END COMPARTMENT AL .102X4X10.81 | 1 | EA |
| NS | 118011402 | LINER ROOF CAB 452100X37.12X86.75 | 1 | EA |
| NS | 100011400 | POLYESTER FILL ROOF LINER 4X22.5 | 1 | EA |



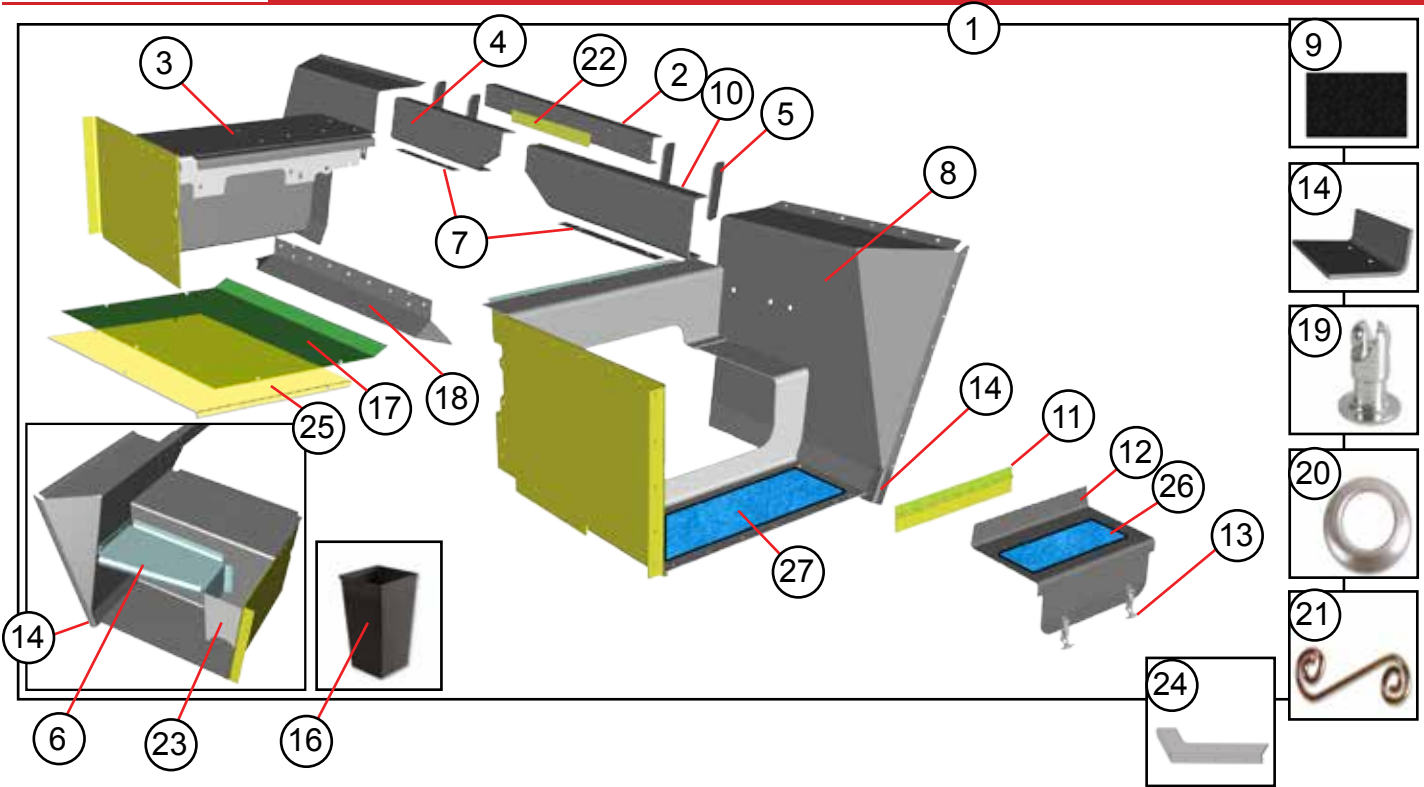
| ITEM # | PART # | DESCRIPTION | QTY. | UNIT |
|--------|-----------|--|------|------|
| 1 | 124027203 | INSTRUMENT PANEL WELDMENT | 1 | EA |
| 2 | 118027421 | BRACKET REINFORCEMENT AL.102X4.32X11.69 | 1 | EA |
| 3 | 002027423 | BRACKET SHIFTER STEEL 11GAX4.87X6.43 | 1 | EA |
| 4 | 006327202 | SPACER IGNITION SWITCH AL .102X1.5X1.5 | 1 | EA |
| 5 | 107027403 | BRACE INSTRUMENT PANEL AL.102X3.75X8.43 | 1 | EA |
| 6 | 118027414 | BRACE AL.125X1.91X12.9 | 1 | EA |
| 7 | 114027403 | BRACE PANEL AL.125X6.48X7.32 | 1 | EA |
| 8 | 128027421 | COVER PLATE RADIO AL.102X9X11 | 1 | EA |
| 9 | 118027417 | PLATE ROCKER SWITCH AL.102X2.50X8.75 | 1 | EA |
| 10 | 128027403 | PLATE COVER INSTRUMENT PANEL AL.102X2.38X4 | 1 | EA |
| 11 | 44000117 | PLUG HL BLACK | 1 | EA |
| 12 | 1111513 | PLUG HL BLACK | 1 | EA |
| 13 | 46026378 | RECEPTICAL 12V POWER W/TETHER SS BODY | 1 | EA |
| 14 | 555001413 | PANEL CONTROL HEATER (SEE PAGE 27) | 1 | EA |
| 15 | 46023506 | PLUG HOLE ROCKER SWITCH BLACK | 3 | EA |
| 16 | 098027402 | PLATE ADAPTOR INSTRUMENT PANEL | 1 | EA |
| 17 | 128027403 | PLATE COVER I/P AL.102X2.38X4 | 1 | EA |



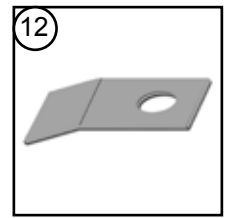
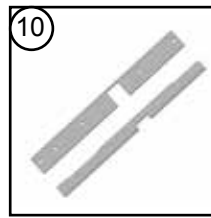
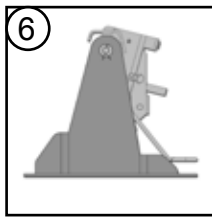
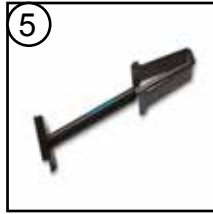
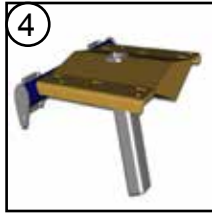
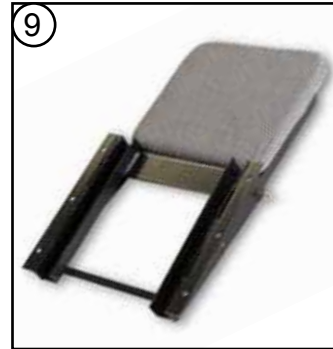
| ITEM # | PART # | DESCRIPTION | QTY. | UNIT |
|--------|------------|---|------|------|
| 1 | 47007900 | HINGE AL STRAP W/ZERK .25 OFF SET | 2 | EA |
| 2 | 088017264 | BRACKET HINGE WELDMENT ROADSIDE (SHOWN) | 1 | EA |
| 3 | 088017263 | BRACKET HINGE WELDMENT CURBSIDE | 1 | EA |
| 4 | 006017420 | BRACE HOOD AL .102X3.12X29.88 | 2 | EA |
| 5 | 006017430 | PLATE MOUNTING AL .102X2.7X11.75 | 2 | EA |
| 6 | 006017429 | BRACKET LAMP AL .102X5.76X19.68 | 2 | EA |
| 7 | 006017428 | BRACKET LAMP ANGLE AL ANG .102X5.62X8 | 2 | EA |
| 8 | 45200799 | HOOD FIBREGLASS 93W | 1 | EA |
| 9 | 006017402 | STIFFENER AL .125X15X80.5 | 1 | EA |
| 10 | 006017424 | BRACKET HEADLAMP AL .102X10.35X11.75 | 2 | EA |
| 11 | 006017426 | BRACKET SUPPORT FRONT AL .102X2.5X8.0 | 2 | EA |
| 12 | 006017427 | BRACKET SIDE AL .102X4X11.67 | 2 | EA |
| 13 | 006017425 | BRACKET HEADLAMP INBOARD AL .102X6.44X8 | 2 | EA |
| NS | 44004077 | SEAL TAPE #1458BTXFT | 4.42 | FT |
| 15 | 47000613 | LATCH HOOD | 2 | EA |
| 16 | 44002004 | BUMPER RUBBER HOOD LATCH | 2 | EA |
| NS | CFGRILLEM2 | GRILLE | 1 | EA |
| NS | CFBADGEM2 | GRILLE BADGE | 1 | EA |
| 24 | 47006018 | SPRING GAS SUSPA #C16-04650 | 1 | EA |
| 25 | 47006051 | SPRING GAS WITH LOCK | 1 | EA |
| 26 | 40900019 | STUD BALL SUSPA #P67-00002 | 4 | EA |
| 27 | 40900020 | STUD BALL CLIP | 4 | EA |
| 28 | 088017453 | CHANNEL STIFFENER HINGE AL.125X4.1X7.11 | 2 | EA |
| 29 | 96713300 | ANGLE STEEL S 11GAX1.85X4.74 | 2 | EA |



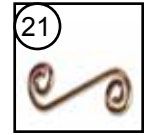
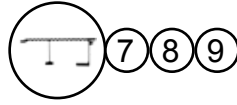
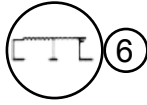
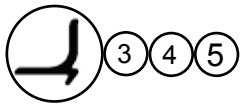
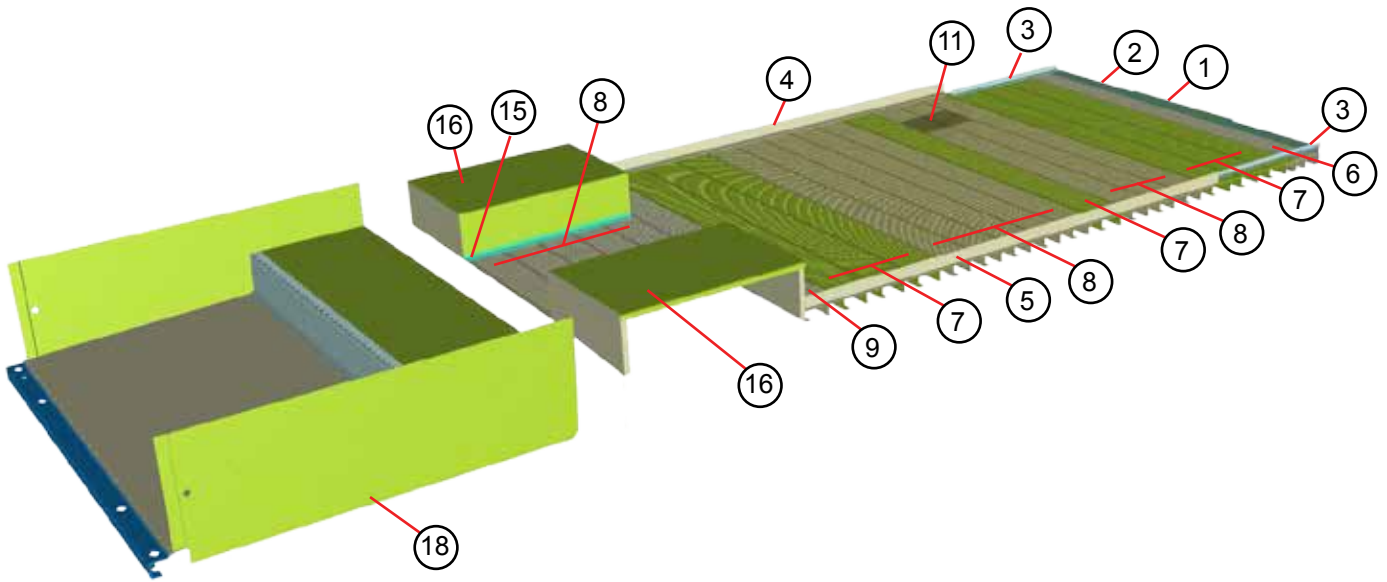
| ITEM # | PART # | DESCRIPTION | QTY. | UNIT |
|--------|-----------|--|------|------|
| 1 | 006017433 | STIFFENER HAT AL 450139X2.5 | 2 | EA |
| 2 | 088016400 | BRACKET HOOD PROP ROADSIDE STL7GAX7.22X9.17L | 1 | EA |
| 3 | 088016401 | BRACKET HOOD PROP CURBSIDE STL7GAX7.22X9.17R | 1 | EA |
| 4 | 098016402 | BRACE HOOD BRACKET CURBSIDE STL7GA X3.5X12.12 | 1 | EA |
| 5 | 098016401 | BRACE HOOD BRACKET ROADSIDE STL7GA X4.25X14.12 | 1 | EA |
| 6 | 43000597 | LABEL HOOD PROPER INSTRUCTIONS | 1 | EA |
| 7 | 088017445 | BRACKET HOOD STOP AL.102X2.92X4 | 2 | EA |
| 8 | 087015400 | BUMPER BACKER AL.102X.88X6 | 2 | EA |
| 9 | 44002014 | REST HOOD BUMPER RUBBER | 2 | EA |
| 10 | 088017444 | PLATE BACKER HOOD STOP AL.188X3X19 | 2 | EA |
| 11 | 109008400 | FRAME EXTENSION ROADSIDE STL.312X13.44X20.11LH | 1 | EA |
| 12 | 109008401 | FRAME EXTENSION CURBSIDE STL.312X13.44X20.11RH | 1 | EA |
| 13 | 094015400 | BRACKET HOOD REST ROADSIDE 11GAX11.79X14.54LH | 1 | EA |
| 14 | 094015401 | BRACKET HOOD REST CURBSIDE 11GAX11.79X14.54RH | 1 | EA |
| 15 | 077260400 | SPLASH PAN AL .125X11.27X21.36LH | 1 | EA |
| 16 | 077260404 | SPLASH PAN AL .125X8.47X19.23RH | 1 | EA |



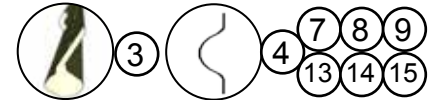
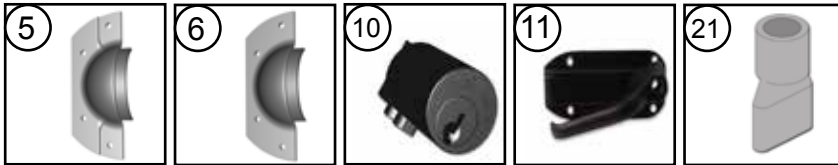
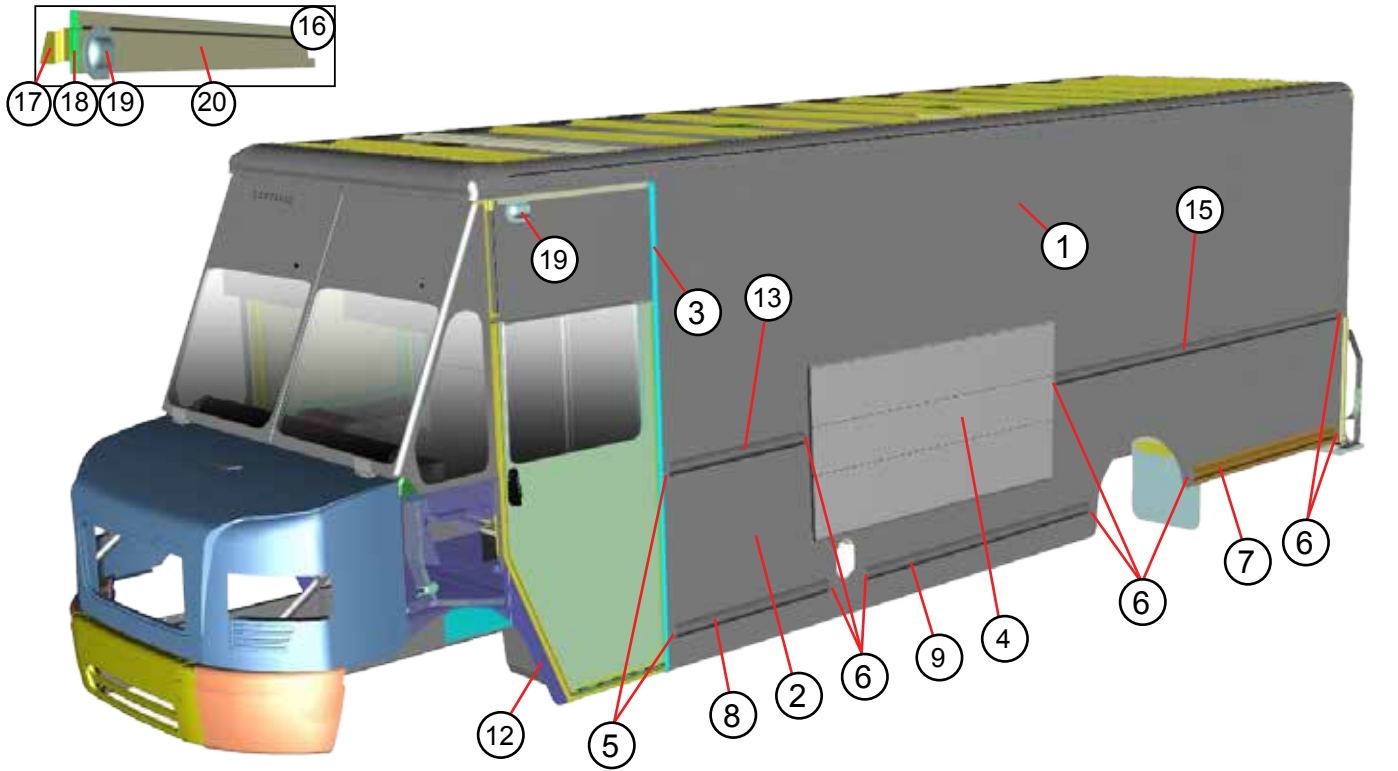
| ITEM # | PART # | DESCRIPTION | QTY. | UNIT |
|--------|-----------|---|------|------|
| 1 | 088024021 | STEP INSTALLATION CAB 93W MT55 2DR EM08 | 1 | EA |
| 2 | 077240400 | CROSSMEMBER CENTER AL 456106X41 | 1 | EA |
| 3 | 088024243 | STEP ASSEMBLY ROADSIDE | 1 | EA |
| 4 | 083024464 | CHANNEL CROSSMEMBER AL 456109X27 LH | 1 | EA |
| 5 | 077240438 | GUSSET AL .25X2.25X5.63 | 4 | EA |
| 6 | 077240468 | STEP MID ALD.125X13.61X26.19 ROADSIDE | 1 | EA |
| 7 | 088024417 | SHIM OUTRIGGER AL .125XX1.75X18.6 | 2 | EA |
| 8 | 118024203 | STEP ASSEMBLY CURBSIDE | 1 | EA |
| 9 | 96724608 | PAD DAMPENING 45200007X9X20 | 1 | EA |
| 10 | 083024465 | CHANNEL CROSSMEMBER AL 456109X27 RH | 1 | EA |
| 11 | 006324498 | HINGE AL .075X1.12X1.75X21 | 1 | EA |
| 12 | 118024404 | LID BATTERY ALD .125X22.25X24.82 | 1 | EA |
| 13 | 1113334 | LATCH STEP | 2 | EA |
| 14 | 084024415 | RISER CORNER AL .125X3.61X3.5 | 2 | EA |
| 16 | 45200051 | TRASH BIN | 1 | EA |
| 17 | 108024201 | TRANVERSE WELDMENT | 1 | EA |
| 18 | 077024402 | ANGLE FLOOR TRANVERSE | 1 | EA |
| 19 | 40900080 | STUD | 6 | EA |
| 20 | 40900081 | GROMMET HALF | 6 | EA |
| 21 | 40900082 | SPRING | 6 | EA |
| 22 | 077050402 | SHIM (BETWEEN SADDLE AND TRANVERSE ANGLE) | 1 | EA |
| 23 | 077240433 | BRACKET TRASH | 1 | EA |
| NS | 1107235 | MAT RUBBER RIBBED .125X30X FT | 4 | FT |
| 24 | 100019404 | TRIM TOEBOARD ALD.08X7.89X25.14 LH | 1 | EA |
| 25 | 45400510 | OVERLAY TRIM FLOOR STEP 24X37.27X1 FBG | 1 | EA |
| 26 | 098137401 | PLATE STEP FBG ANTI SLIP.125X7.75X22 | 1 | EA |
| 27 | 45400509 | PLATE STEP FBG ANTI SLIP .125X10.38X22 | 1 | EA |



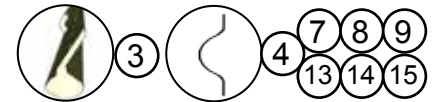
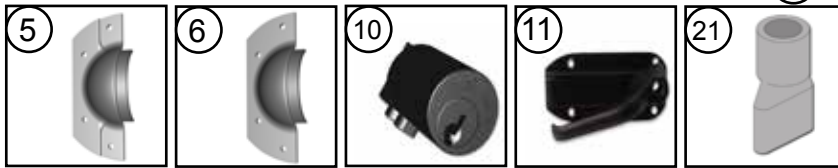
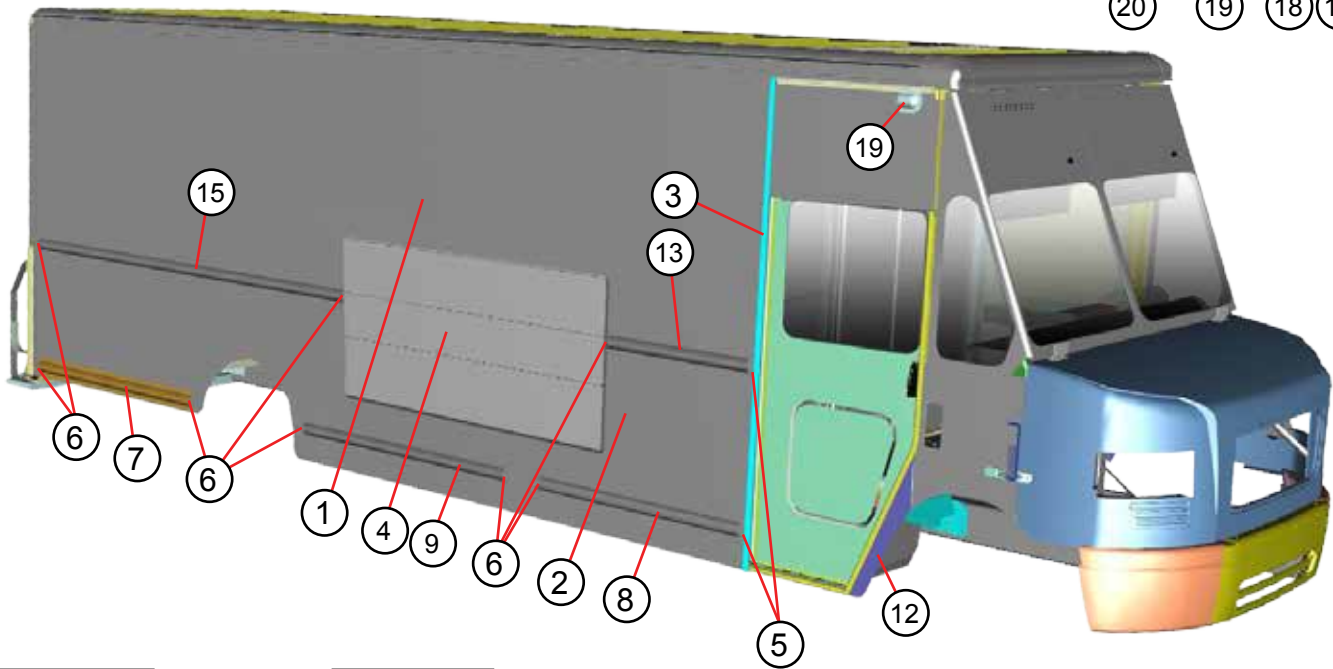
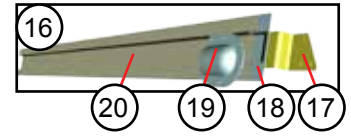
| ITEM # | PART # | DESCRIPTION | QTY. | UNIT |
|--------|-----------|--|------|------|
| 1 | 47004325 | SEAT VINYL BLACK 3PNT/IN W/O ARMS LH | 2 | EA |
| 2 | 47004330 | ARM REST BLACK SEAT 3PNT/IN RH | 1 | EA |
| 3 | 47004329 | ARM REST BLACK SEAT 3PNT/IN LH | 1 | EA |
| 4 | 47004332 | PEDESTAL SEAT UPPER 3PNT/IN FCC | 1 | EA |
| 5 | 47003636 | SPRING GAS SEAT HOLDER ASSEMBLY | 1 | EA |
| 6 | 47012659 | SEAT SOC/PEDESTAL BASE FRE 3PNT TILT | 1 | EA |
| 7 | 47005319 | S/BELT 3PNT/IN OG MET STRP150" | 1 | EA |
| 8 | 47004972 | SEAT HEADBACK REST CTUR BLK VNL FRE | 1 | EA |
| 9 | 47004973 | SEAT BLACK JUMP FOLDING | 1 | EA |
| 10 | 91614300 | ANGLE AL FLOOR .188X2.84X19.1 | 1 | EA |
| 11 | 47004366 | S/BELT W/BOOT BLKH 3PNT OG R | 1 | EA |
| 12 | 130070403 | WASHER SEAT BASE | 2 | EA |
| NS | 91614301 | STIFFENER BULKHEAD FOR JUMP SEAT AL 450043X29.12 | 1 | EA |
| NS | 91614302 | STIFFENER BULKHEAD FOR JUMP SEAT AL 450043X29.62 | 1 | EA |



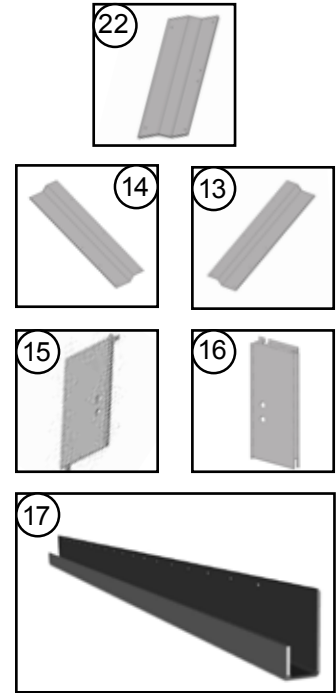
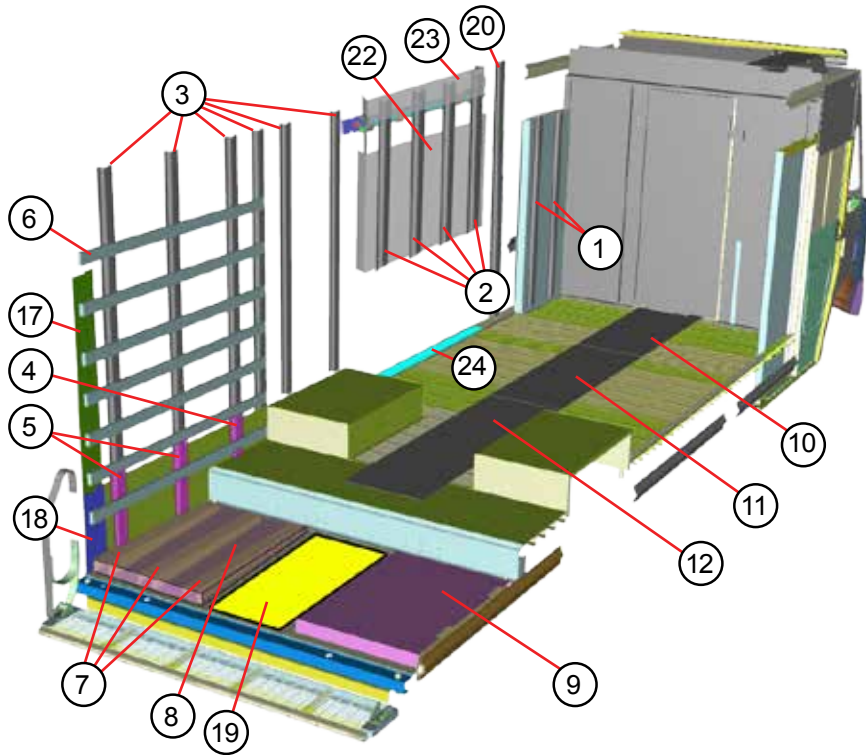
| ITEM # | PART # | DESCRIPTION | QTY. | UNIT |
|--------|-----------|--|------|------|
| 1 | 001730416 | ANGLE STEP AL450187X33.38 | 1 | EA |
| 2 | 05M234043 | BEAM @ O/LINE AL 450394X86.38 | 1 | EA |
| 3 | 001730410 | ANGLE FLOOR DROP 450303X36.62 | 2 | EA |
| NS | 148031400 | ANGLE FL00R AL 450304X5.44 LH | 1 | EA |
| NS | 148031401 | ANGLE FL00R AL 450304X5.44 RH | 1 | EA |
| 4 | 148031402 | ANGLE FLOOR AL 450304X110.47 LH | 1 | EA |
| 5 | 148031403 | ANGLE FLOOR AL 450304X110.47 RH | 1 | EA |
| 6 | 45061101 | BEAM AL FLOOR H/D RIB 7X92.19 | 1 | EA |
| 7 | 45061301 | BEAM AL FLOOR RIB 9X92.19 | 7 | EA |
| 8 | 45061202 | BEAM AL FLOOR H/D RIB 8X92.19 | 8 | EA |
| 9 | 45061401 | BEAM AL FLOOR H/D RIB 8.5X92.19 | 1 | EA |
| 10 | 05M234018 | PLATE SUPPORT DOOR AL .125X14X14.2 | 1 | EA |
| 11 | 96730416 | DOOR ACCESS AL .125X10.87X12.78 | 1 | EA |
| 12 | 40900080 | STUD DZUS | 2 | EA |
| 13 | 40900081 | GROMMET HALF | 2 | EA |
| 14 | 40900082 | SPRING | 2 | EA |
| 15 | 001734404 | ANGLE W/BX AL 450018X40 | 2 | EA |
| 16 | 158035200 | WHEEL BOX ASSEMBLY | 2 | EA |
| 17 | 45061201 | BEAM AL FLOOR H/D RIB 8X85.5 | 5 | EA |
| 18 | 158036200 | FLOOR DROP WELDMENT 93W MT55 22' | 1 | EA |
| NS | 094078418 | ANGLE SUPPORT AL 450523X9.88 | 2 | EA |
| NS | 096100402 | FLOOR OVERLAY FORWARD ALD.08X35.75X123 | 1 | EA |
| NS | 96367401 | FLOOR OVERLAY 16' ALD .08X35.75X57.2 | 1 | EA |
| NS | 158130401 | DROP SILL @ SIDE ROLL UP DOORS AL.102X5.44X87.75 | 2 | EA |



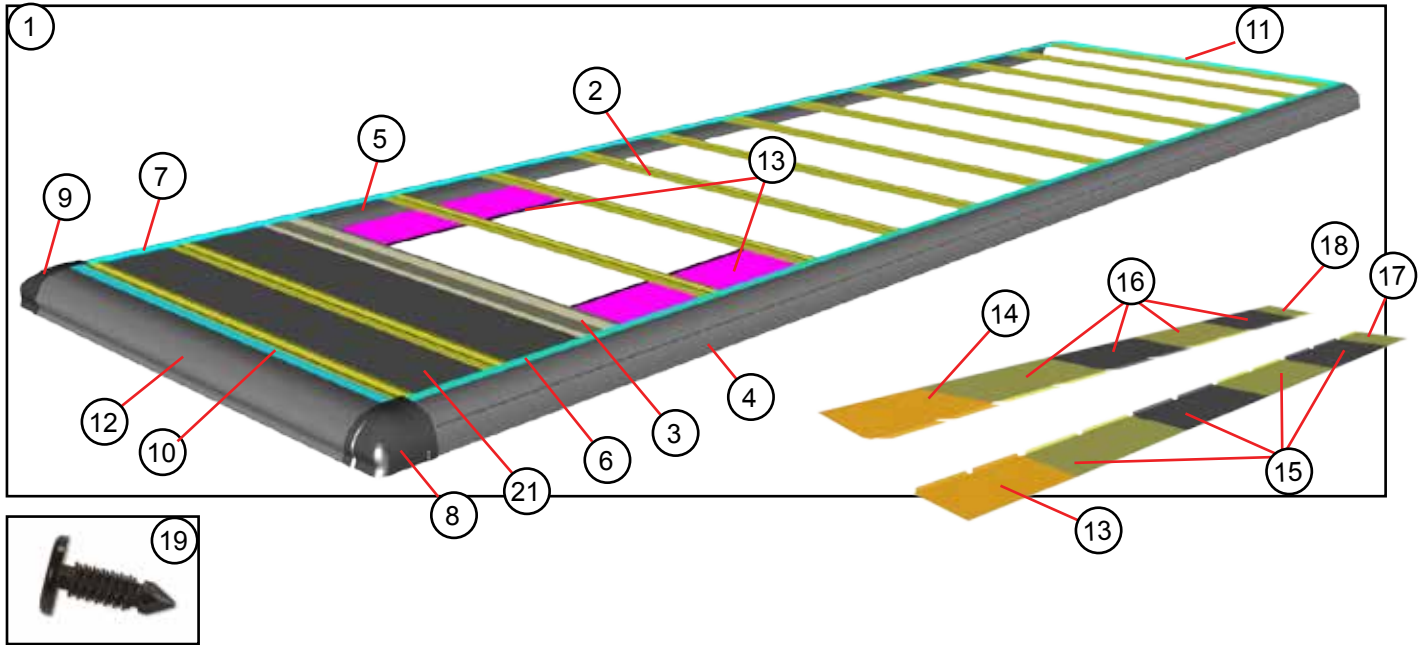
| ITEM # | PART # | DESCRIPTION | QTY. | UNIT |
|--------|-----------|---|------|------|
| 1 | 158038407 | SIDE UPPER AL .102X60X265.31 LH | 1 | EA |
| 2 | 158037420 | SIDE LOWER AL .125X47.79X265.31 LH | 1 | EA |
| 3 | 148038404 | POST B AL 450274X99.62 LH | 1 | EA |
| 4 | 47005896 | ROLL UP DOOR ROADSIDE 38X85.25 | 1 | EA |
| 5 | 1100800 | END CAP FORWARD AL.125X2.37X5.5 | 2 | EA |
| 6 | 1100799 | END CAP REAR FL AL.125X2.37X5.5 | 10 | EA |
| 7 | 05M234049 | RUB/RAIL LOWER REAR AL 450002X70 | 1 | EA |
| 8 | 096110402 | RUB/RAIL LOWER FRONT AL450002X46 LH | 1 | EA |
| 9 | 096110403 | RUB/RAIL LOWER MID AL450002X82.5 LH | 1 | EA |
| 10 | 47001194 | HANDLE CYL REMOVABLE | 1 | EA |
| 11 | 47000689 | HANDLE BLACK NO CYL | 1 | EA |
| 12 | 098022400 | CAB SKRT TAIL AL.07X5.76X36.83 LH | 1 | EA |
| 13 | 148039401 | RUB/RAIL UPPER FRONT AL450002X39.48 | 1 | EA |
| 14 | 158038408 | DRIP RAIL UPPER MID AL450006X83.88 | 1 | EA |
| 15 | 148039400 | RUB/RAIL UPPER REAR AL450002X130 | 1 | EA |
| 16 | 097042000 | STIFFENER HEADER INSTALLATION (ITEMS 17,18,19,20) | 1 | EA |
| 17 | 96742302 | CLIP AL Z .102X3X9.57 | 1 | EA |
| 18 | 45100074 | CAP RAIL END | 1 | EA |
| 19 | 47008533 | VENT CAP PLASTIC END | 1 | EA |
| 20 | 083042400 | STIFFENER HEADER AL450328X73.75 ROADSIDE | 1 | EA |
| 21 | 44001006 | DRAIN RUBBER KAZOO FOR PIPE | 1 | EA |



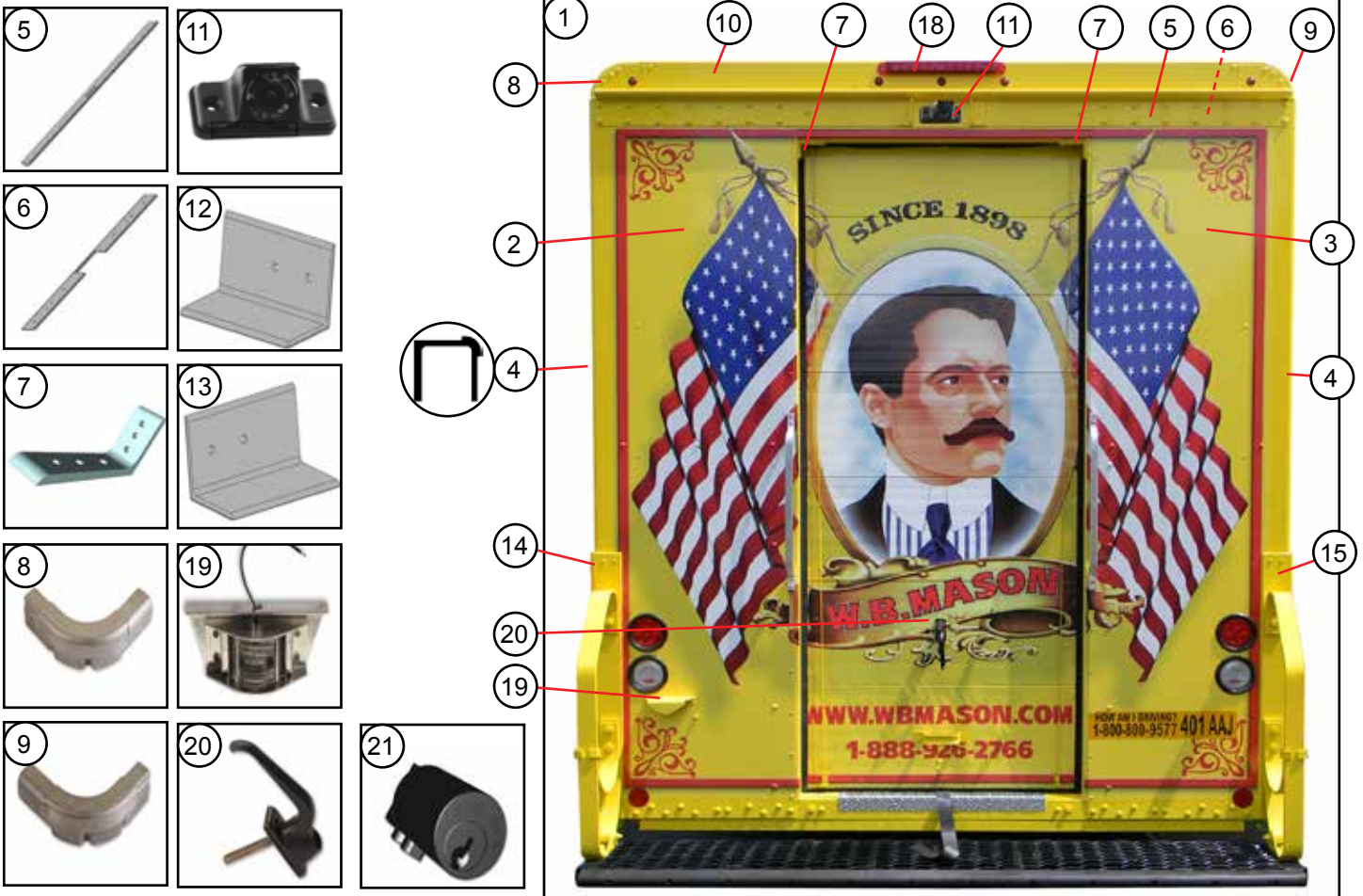
| ITEM # | PART # | DESCRIPTION | QTY. | UNIT |
|--------|-----------|---|------|------|
| 1 | 158038407 | SIDE UPPER AL .102X60X265.31 RH | 1 | EA |
| 2 | 158037421 | SIDE LOWER AL .125X47.79X265.31 RH | 1 | EA |
| 3 | 148038405 | POST B AL 450274X99.62 RH | 1 | EA |
| 4 | 47005896 | ROLL UP DOOR CURBSIDE 38X85.25 | 1 | EA |
| 5 | 1100800 | END CAP FORWARD AL.125X2.37X5.5 | 2 | EA |
| 6 | 1100799 | END CAP REAR FL AL.125X2.37X5.5 | 10 | EA |
| 7 | 05M234049 | RUB/RAIL LOWER REAR AL 450002X70 | 1 | EA |
| 8 | 096110401 | RUB/RAIL LOWER FRONT AL450002X71 RH | 1 | EA |
| 9 | 096110400 | RUB/RAIL LOWER MID AL 450002X59 RH | 1 | EA |
| 10 | 47001194 | HANDLE CYL REMOVABLE | 1 | EA |
| 11 | 47000689- | HANDLE BLACK NO CYL | 1 | EA |
| 12 | 098022401 | CAB SKRT TAIL AL.07X5.76X36.83 RH | 1 | EA |
| 13 | 148039401 | RUB/RAIL UPPER FRONT AL450002X39.48 | 1 | EA |
| 14 | 158038408 | DRIP RAIL UPPER MID AL450006X83.88 | 1 | EA |
| 15 | 148039400 | RUB/RAIL UPPER REAR AL450002X130 | 1 | EA |
| 16 | 127042000 | STIFFENER HEADER INSTALLATION (ITEMS 17,18,19,20) | 1 | EA |
| 17 | 96742302 | CLIP AL Z .102X3X9.57 | 1 | EA |
| 18 | 45100074 | CAP RAIL END | 1 | EA |
| 19 | 47008533 | VENT CAP PLASTIC END | 1 | EA |
| 20 | 083042401 | STIFFENER HEADER AL450328X73.75 CURBSIDE | 1 | EA |
| 21 | 44001006 | DRAIN RUBBER KAZOO FOR PIPE | 1 | EA |



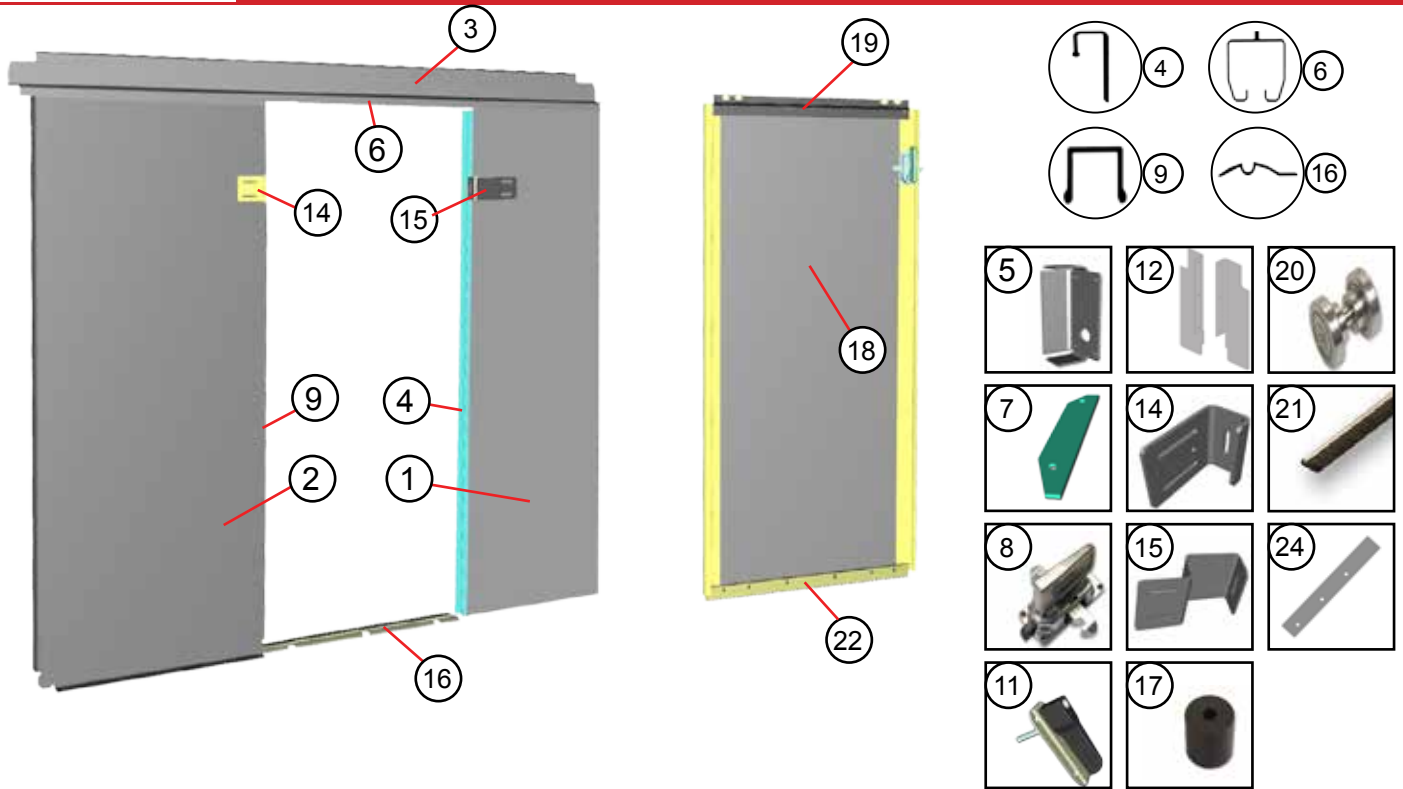
| ITEM # | PART # | DESCRIPTION | QTY. | UNIT |
|--------------------------|-----------|--|------|------|
| 1 | 148048416 | STIFFENER @ DOOR POCKET HAT AL450039X66.88 | 4 | EA |
| 2 | 158048411 | STIFFENER RUD COVER AL 450039X35.75 | 8 | EA |
| 3 | 158048408 | STIFFENER @ WHEEL BOX AL 450595X76 | 12 | EA |
| 4 | 158048409 | STIFFENER @ AFT W/BX AL 450595X10.72 | 2 | EA |
| 5 | 158048410 | STIFFENER @ DROP FLOOR AL450595X19.81 | 4 | EA |
| 6 | 158127439 | SLAT HARDWOOD .75X2.62X5.92 BEVEL EDGE | 12 | EA |
| 7 | 06M287424 | STIFFENER DROP FLOOR HAT AL .125X11.8X43.14 | 6 | EA |
| 8 | 06M287425 | PLATE COVER AL.125X32.12X48.54 LH | 1 | EA |
| 9 | 06M287426 | PLATE COVER AL.125X32.12X48.54 RH | 1 | EA |
| 10 | 138100421 | FLOOR OVERLAY FBG.125X24X63.75 | 1 | EA |
| 11 | 138100404 | FLOOR OVERLAY FBG.125X24X61.25 | 1 | EA |
| 12 | 138100405 | FLOOR OVERLAY FBG.125X24X81.25 | 2 | EA |
| 19 | 158100401 | FLOOR OVERLAY FBG.125X20X45.75 | 1 | EA |
| 20 | 148048410 | STIFFENER SIDE 91H AL450039X84 | 2 | EA |
| 22 | 148130402 | COVER RUD AL.102X48X96.14 | 2 | EA |
| 23 | 148130403 | COVER RUD AL.102X15.88X88 | 2 | EA |
| 24 | 148130401 | SILL DROP SILL AL.102X4X86 | 2 | EA |
| LAMP GUARD PANELS | | | | |
| 13 | 005106405 | GUARD Z UPPER AL .125X9.25X54 LH | 1 | EA |
| 14 | 005106406 | GUARD Z UPPER AL .125X9.25X44.5 RH | 1 | EA |
| 15 | 06M287421 | GUARD LAMP AL .125X28.52X52.69 LH | 1 | EA |
| 16 | 096087400 | GUARD LAMP AL.125X28.52X52.69 RH | 1 | EA |
| 17 | 107087402 | GUARD WIRING REAR AL450006X38 | 1 | EA |
| 18 | 005106403 | GUARD LAMP Z AL .125X9.15X16.46 (ROADSIDE SHOWN) | 2 | EA |



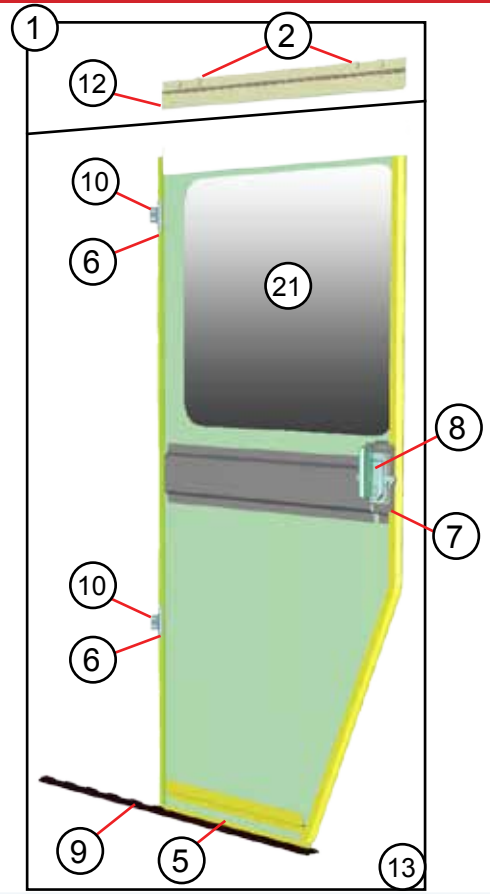
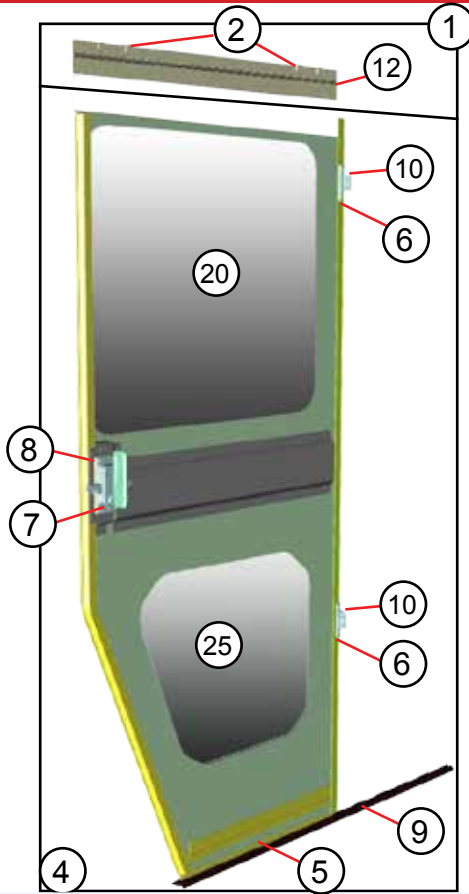
| ITEM # | PART # | DESCRIPTION | QTY. | UNIT |
|-------------------------|-----------|--|-------|------|
| 1 | 096010002 | ROOF AL OR FBG ASSEMBLY 21'4"93W D/FLR | 1 | EA |
| 2 | 45601603 | ROOF BOW STEEL 16GA SEC456016 X89.12 | 13 | EA |
| 3 | 118010402 | ROOF BOW @ O/LINE 14GA GLNX9.54X89.12 | 1 | EA |
| 4 | 096010400 | RAIL ROOF 22 ' AL456144X301.12 LH | 1 | EA |
| 5 | 096010401 | RAIL ROOF 22 ' AL456144X301.12 RH | 1 | EA |
| 6 | 096010402 | RAIL INTERLINK ROOF AL450140X301.12 LH | 1 | EA |
| 7 | 096010403 | RAIL INTERLINK ROOF AL450140X301.12 RH | 1 | EA |
| 8 | 077100400 | CORNER AL CAST ROOF LH | 1 | EA |
| 9 | 077100401 | CORNER AL CAST ROOF RH | 1 | EA |
| 10 | 89310506 | NOSE RF INTLK AL 45014X82.38 | 1 | EA |
| 11 | 89310507 | RAIL INTERLINK TRANSOM AL 450140X79.88 | 1 | EA |
| 12 | 083010400 | NOSE 93W AL 456107X82.5 | 1 | EA |
| 13 | 158010426 | PANEL ROOF SUPPORT AL .102X18X25.04 | 2 | EA |
| NS | 45200851 | SKIN FBG ROOF .075X82.25XFT | 25.23 | FT |
| CARGO ROOF LINER | | | | |
| 13 | 083011500 | LNR RF EMB .023X29.65X49 LH | 1 | EA |
| 14 | 083011501 | LNR RF EMB .023X29.65X49 RH | 1 | EA |
| 15 | 083011502 | LNR 49' EMB .023X29.65X49 LH | 4 | EA |
| 16 | 083011503 | LNR 49' EMB .023X29.65X49 RH | 4 | EA |
| 17 | 096011408 | LNR AL.023EMBX20.88X29.65 LH | 1 | EA |
| 18 | 096011409 | LNR AL.023EMBX20.88X29.65 RH | 1 | EA |
| 19 | 47006610 | CLIP PLASTIC FLAT HEAD .45HEADX.64 | 164 | EA |
| NS | 1109001 | INSULATION FBG 1X48X100FT | 38.5 | FT |
| CAB ROOF LINER | | | | |
| 21 | 118011402 | LNR ROOF CAB 452100X37.12X86.75 | 1 | EA |
| NS | 100011400 | POLYST FIL RFLNR4200200 4X22.5 | 3 | EA |
| NS | 1109001 | INSULATION FBG 1X48X100FT | 7.25 | FT |
| 19 | 47006610 | CLIP PLASTIC FLAT HEAD .45HEADX.64 | 52 | EA |



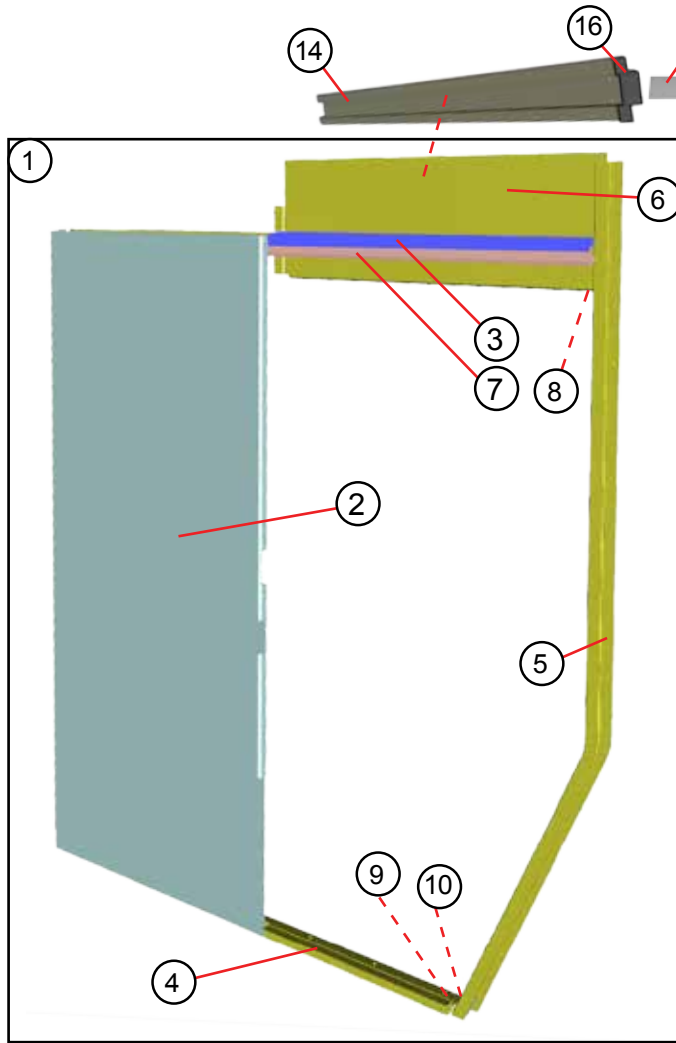
| ITEM # | PART # | DESCRIPTION | QTY. | UNIT |
|--------|-----------|--|------|------|
| 1 | 148053200 | BACK ASSEMBLY 91H93W 38" RUD D/FLR | 1 | EA |
| 2 | 148053401 | PANEL BACK AL.188X30.79X101 LH | 1 | EA |
| 3 | 148053402 | PANEL BACK AL.188X30.79X101 RH | 1 | EA |
| 4 | 148053400 | POST JAMB AL450359X92.85 | 2 | EA |
| 5 | 007750408 | EXTENSION TRANSOM AL .125X5.86X85.88 | 1 | EA |
| 6 | 158053411 | SPACER SHIM AL .188X1.88X39.44 | 1 | EA |
| 7 | 93181302 | ANGLE CLIP HEADER AL 450198X1 | 2 | EA |
| 8 | 45100098 | CORNER AL CAST ROOF REAR LH | 1 | EA |
| 9 | 45100099 | CORNER AL CAST ROOF REAR RH | 1 | EA |
| 10 | 158053410 | TRANSOM AL450352X91.63 | 1 | EA |
| 11 | 48200141 | CAMERA BACKUP CLR BLLT | 1 | EA |
| 12 | 137094401 | GUARD CAM AL450523X3.25 LH | 1 | EA |
| 13 | 137094402 | GUARD CAM AL450523X3.25 RH | 1 | EA |
| 14 | 118050409 | ANGLE REINFORCEMENT OUTTER AL 450176X37.69 | 1 | EA |
| 15 | 118050410 | ANGLE REINFORCEMENT OUTTER AL 450176X37.69 | 1 | EA |
| NS | 118050407 | REINFORCEMENT INNER AL.188X9.35X35.13 LH | 1 | EA |
| NS | 118050408 | REINFORCEMENT INNER AL.188X9.35X35.13 RH | 1 | EA |
| 18 | 46001905 | LAMP AUX S/LH+RH TURN BAR | 1 | EA |
| 19 | 1111001 | LAMP LICENSE PLATE | 1 | EA |
| 20 | 47001176 | HANDLE REAR BLACK NO CYL | 1 | EA |
| 21 | 47001194 | HANDLE CYL REMOVABLE | 1 | EA |



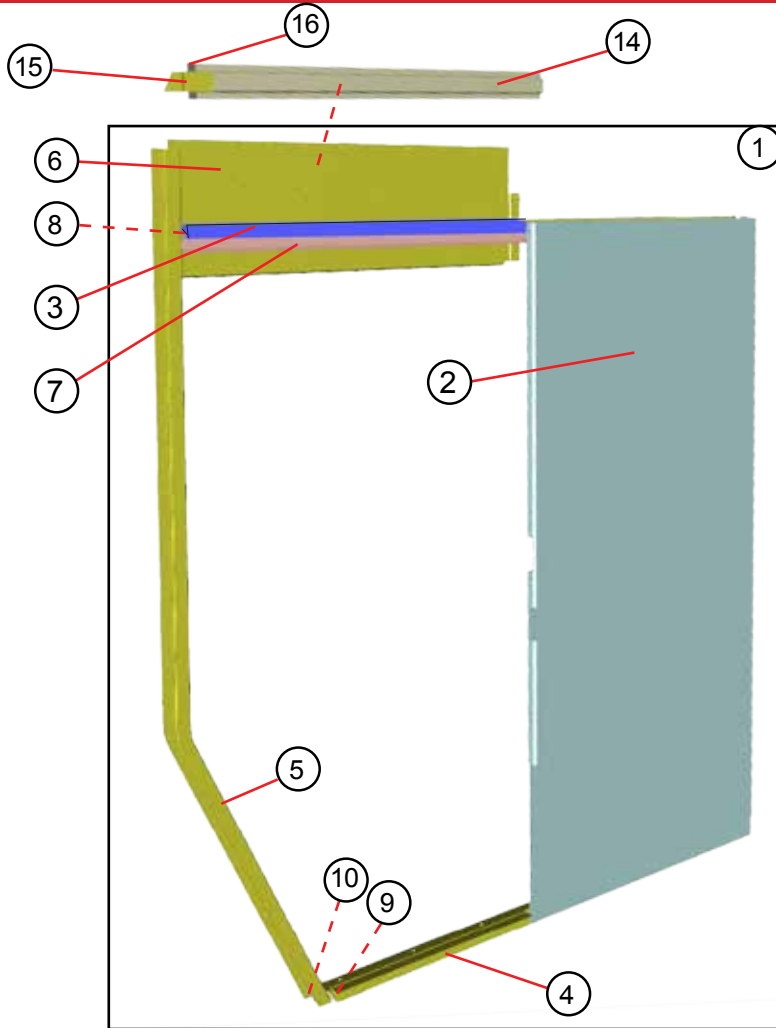
| ITEM # | PART # | DESCRIPTION | QTY | UNIT |
|--------|-----------|--|-----|------|
| 1 | 158070403 | PANEL BULKHEAD AL.102X30.38X81.38 LH | 1 | EA |
| 2 | 158070404 | PANEL BULKHEAD AL.102X27.94X81.38 RH | 1 | EA |
| 3 | 148070415 | ZEE HEADER BULKHEAD AL.102X14.78X92.41 | 1 | EA |
| 4 | 158070409 | CHANNEL BULKHEAD LH ALE450502X76.16 | 1 | EA |
| 5 | 088070433 | SPACER DOOR BULKHEAD AL .125X4.6X10.02 | 1 | EA |
| 6 | 088070256 | TRACK DOOR ASSEMBLY 30" CTR SLID | 1 | EA |
| 7 | 06M202043 | SHIM HANDLE DOOR AL .125X1X7 | 1 | EA |
| 8 | 1113016 | LOCK MECH LK INR D/S KAS 4002-14 | 1 | EA |
| 9 | 107070407 | JAMB BULKHEAD DOOR ALE450326X78.37 | 1 | EA |
| 10 | 088070482 | SPACER BULKHEAD 1101200X2.25 | 2 | EA |
| 11 | 47000996 | HANDLE BULKHEAD DOOR BLACK | 1 | EA |
| 12 | 148070413 | PLATE BULKHEAD AL.055X3.56X12.3 RH | 1 | EA |
| 12 | 148070414 | PLATE BULKHEAD AL.055X3.56X12.3 LH | 1 | EA |
| 14 | 088070431 | BRACKET STIKER STEEL 7GAX3.5X6.32 LH | 1 | EA |
| 15 | 088070432 | BRACKET STRIKER STEEL 7GAX3.5X11.77 RH | 1 | EA |
| 16 | 96770316 | GUIDE DOOR FLOOR AL 450414X47.88 | 1 | EA |
| 17 | 44002011 | BUMPER RUBBER | 3 | EA |
| 18 | 158070200 | DOOR ASSEMBLY BULKHEAD N/WDO | 1 | EA |
| 19 | 148070203 | HANGER ASSEMBLY W/SEAL BHD 3.34X30.13 | 1 | EA |
| 20 | 47006595 | BEARINGS SR311-214 & RT311-278 | 4 | PR |
| 21 | 44008050 | SEAL BRUSH TYPE B 1X83.9 | 1 | EA |
| 22 | 148070419 | WEAR STRIP BULKHEAD DOOR BOTTOM AL452002X32.35 | 1 | EA |
| 23 | 148069402 | STIFFENER JUMP SEAT AL450043X79 | 1 | EA |
| 24 | 158105418 | GUSSET BHD AL .125X2.75X20 RH | 1 | EA |



| ITEM # | PART # | DESCRIPTION | QTY | UNIT |
|--------|-----------|--|-----|------|
| 1 | 96760203 | HANGER ASSEMBLY | 1 | EA |
| 2 | 47006595 | BEARINGS | 4 | PR |
| 3 | 44008050 | SEAL BRUSH TYPE B 1X83.9 | 1 | EA |
| 4 | 083060202 | DOOR ASSEMBLY CURBSIDE | 1 | EA |
| 5 | 98760306 | WEAR STRIP 450008X25.75 | 1 | EA |
| 6 | 45200206 | SPACER ANTI RATTLE CLIP | 2 | EA |
| 7 | 1113016 | LATCH MECHINISM | 1 | EA |
| 8 | 087181 | SPACER LATCH | 1 | EA |
| 9 | 47002766 | GUIDE NYLON DOOR MLDD LOWER X51.44 | 1 | EA |
| 10 | 96760318 | CLIP ANTI RATTLE AL.188X2X2.7 | 2 | EA |
| 11 | 44004104 | SEAL RUBBER RS FWD DR X89.25 | 1 | EA |
| 12 | 96760307 | PLATE DOOR HANGER | 1 | EA |
| 13 | 083060201 | DOOR ASSEMBLY ROADSIDE | 1 | EA |
| 14 | 1107270 | SEAL TR SCHLEG1426-X999 | 8 | FT |
| 15 | 45100093 | STRIKER BRONZE D/S RR | 2 | EA |
| 16 | 45100163 | STRIKER BRONZE D/S RR | 1 | EA |
| 17 | 44002011 | BUMPER RUBBER | 1 | EA |
| 18 | 47000689 | HANDLE SIDE BLACK | 1 | EA |
| 19 | 47001194 | REMOVABLE CYLINDER | 1 | EA |
| 20 | 45800062 | WINDOW SLIDING ROADSIDE (FILLER STRIP 7.68 FT - 44004200) | 1 | EA |
| 21 | 45800063 | WINDOW SLIDING CURBSIDE (FILLER STRIP 7.68 FT - 44004200) | 1 | EA |
| 22 | 083060409 | PANEL DOOR INNER LOWER AL .07X39.4X40.02 RH (083060406 - LH) | 1 | EA |
| 23 | 45100094 | BRACKET STRIKER CAST D/S | 1 | EA |
| 24 | 44004262 | WEATHER STRIP FLUSH MOUNTING X93.25 | 1 | EA |
| 25 | 1111637 | GLASS SAFETY RH DOOR .25 84456-10 | 1 | EA |



| ITEM # | PART # | DESCRIPTION | QTY. | UNIT |
|--------|-----------|---|------|------|
| 1 | 148041200 | DOOR POCKET ASSEMBLY | 1 | EA |
| 2 | 109041400 | PANEL D/P AL.102X42.26X87.65LH | 1 | EA |
| 3 | 96741302 | CHANNEL HEADER AL 450256X75 LH | 1 | EA |
| 4 | 98741352 | NOSE STEP AL 450247X61.29 LH | 1 | EA |
| 5 | 148041402 | DOOR POST AL 450294X102.43 LH | 1 | EA |
| 6 | 148041400 | PANEL HEADER AL.102X19.49X42.37 LH | 1 | EA |
| 7 | 96741202 | TRACK ASSEMBLY UPPER | 1 | EA |
| 8 | 45100048 | GUSSET HEADER CHANNEL TO DOOR POST | 1 | EA |
| 9 | 45100104 | DOOR POST CASTING LOWER LH | 1 | EA |
| 10 | 001741407 | REINFORCEMENT BRACKET PST AL.125X1.53X8.04 LH | 1 | EA |
| 11 | 44004060 | SEAL BRUSH TYPE C 1.5X82 | 1 | EA |
| 12 | 44008050 | SEAL BRUSH TYPE B 1X83.9 | 1 | EA |
| 13 | 45900001 | PLUG WD RB/RL .75X1.12X2.9 | 1 | EA |
| 14 | 083042400 | STIFFENER HEADER AL450328X73.75 LH | 1 | EA |
| 15 | 96742302 | CLIP AL ZEE .102X3X9.57 | 1 | EA |
| 16 | 45100074 | CAP RAIL END | 1 | EA |
| 17 | 96741354 | COVER DOOR POCKET AL.055X6.75X12.16 LH | 1 | EA |
| 18 | 47008533 | CAP PLASTIC END VENT | 1 | EA |
| NS | 158041401 | DRIP EDGE OVER WINDOW AL450006X38.8 LH | 1 | EA |



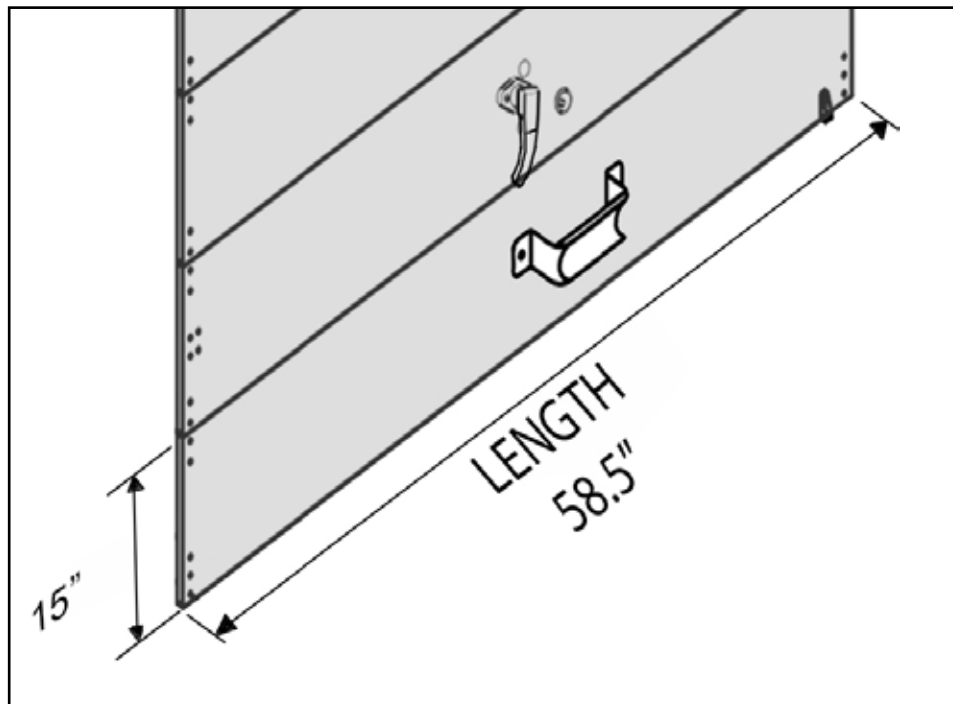
| ITEM # | PART # | DESCRIPTION | QTY. | UNIT |
|--------|-----------|---|------|------|
| 1 | 148041201 | DOOR POCKET ASSEMBLY | 1 | EA |
| 2 | 109041401 | PANEL DOOR POCKET AL.102X42.26X87.65RH | 1 | EA |
| 3 | 96741303 | CHANNEL HEADER AL 450256X75 RH | 1 | EA |
| 4 | 98741353 | NOSE STEP AL 450247X61.29 RH | 1 | EA |
| 5 | 148041403 | DOOR POST AL 450294X108.43RH | 1 | EA |
| 6 | 148041401 | PANEL HEADER AL.102X19.49X42.37 RH | 1 | EA |
| 7 | 96741202 | TRACK ASSEMBLY UPPER | 1 | EA |
| 8 | 45100049 | GUSSET HEADER CHANNEL TO DOOR POST | 1 | EA |
| 9 | 45100105 | DOOR POST CASTING LOWER | 1 | EA |
| 10 | 001741408 | REINFORCEMENT BRACKET AL.125X1.53X8.04 RH | 1 | EA |
| 11 | 44004060 | SEAL BRUSH TYPE C 1.5X82 | 1 | EA |
| 12 | 44008050 | SEAL BRUSH TYPE B 1X83.9 | 1 | EA |
| NS | 45900001 | PLUG WD RUBRAIL .75X1.12X2.9 | 1 | EA |
| 14 | 083042401 | STIFFENER HEADER AL450328X73.75 RH | 1 | EA |
| 15 | 96742302 | CLIP AL Z .102X3X9.57 | 1 | EA |
| 16 | 45100074 | CAP RAIL END | 1 | EA |
| 17 | 96741355 | COVER DOOR POCKET AL.055X6.75X12.16 RH | 1 | EA |
| 18 | 47008533 | CAP PLASTIC END VENT | 1 | EA |
| NS | 45900001 | PLUG WD RB/RL .75X1.12X2.9 | 1 | EA |
| NS | 158041402 | DRIP EDGE OVER WINDOW AL450006X38.8 RH | 1 | EA |

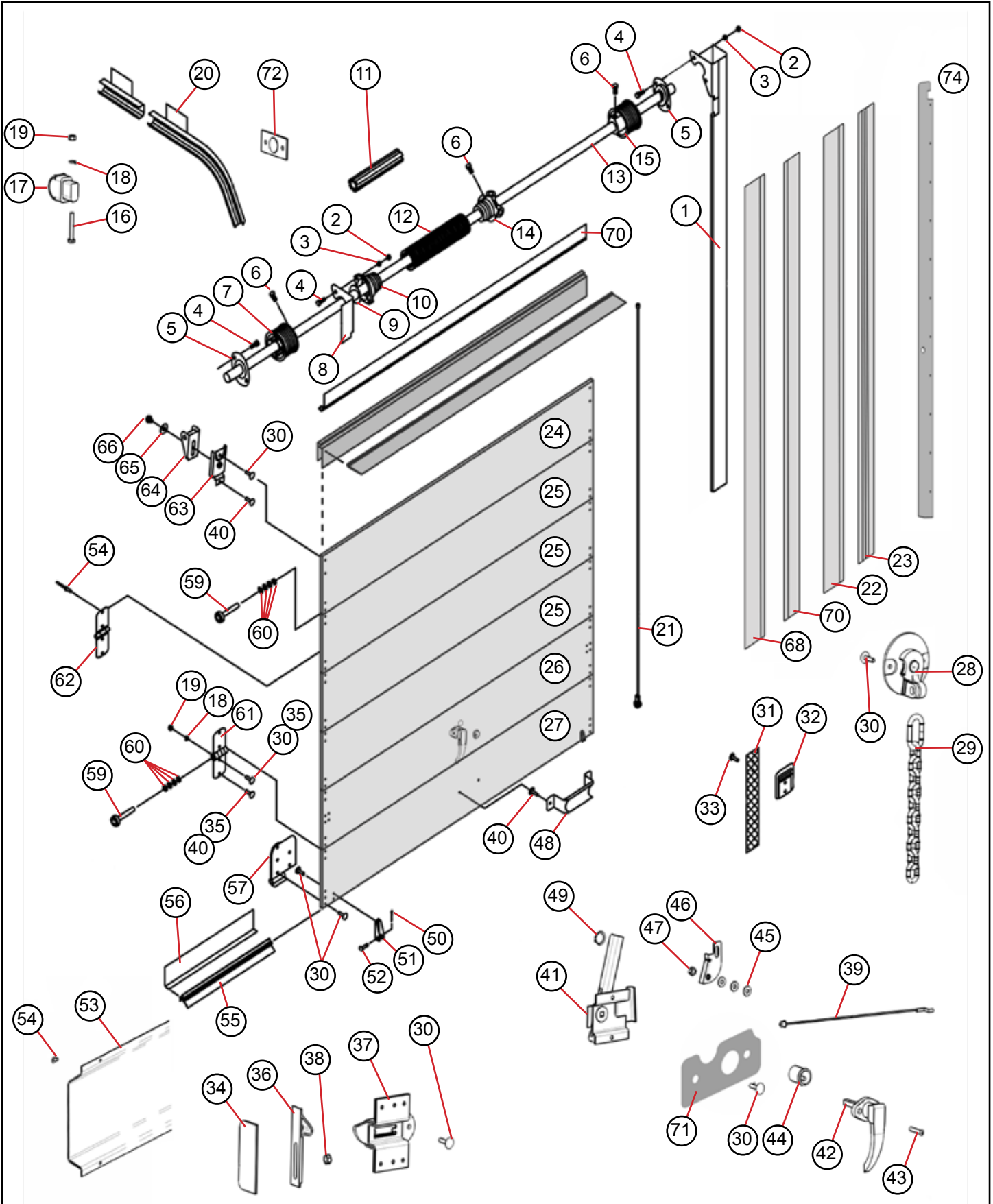


ROLL-UP DOOR SERIAL NUMBER LOCATION

WHEN ORDERING PARTS FOR ROLL-UP DOORS,
PLEASE PROVIDE THE FOLLOWING INFORMATION.
THE SERIAL NUMBER LOCATED ON THE INTERIOR TOP PANEL ROADSIDE EDGE.
THE LENGTH AND HEIGHT OF THE DOOR PANEL(S) TO BE ORDERED.

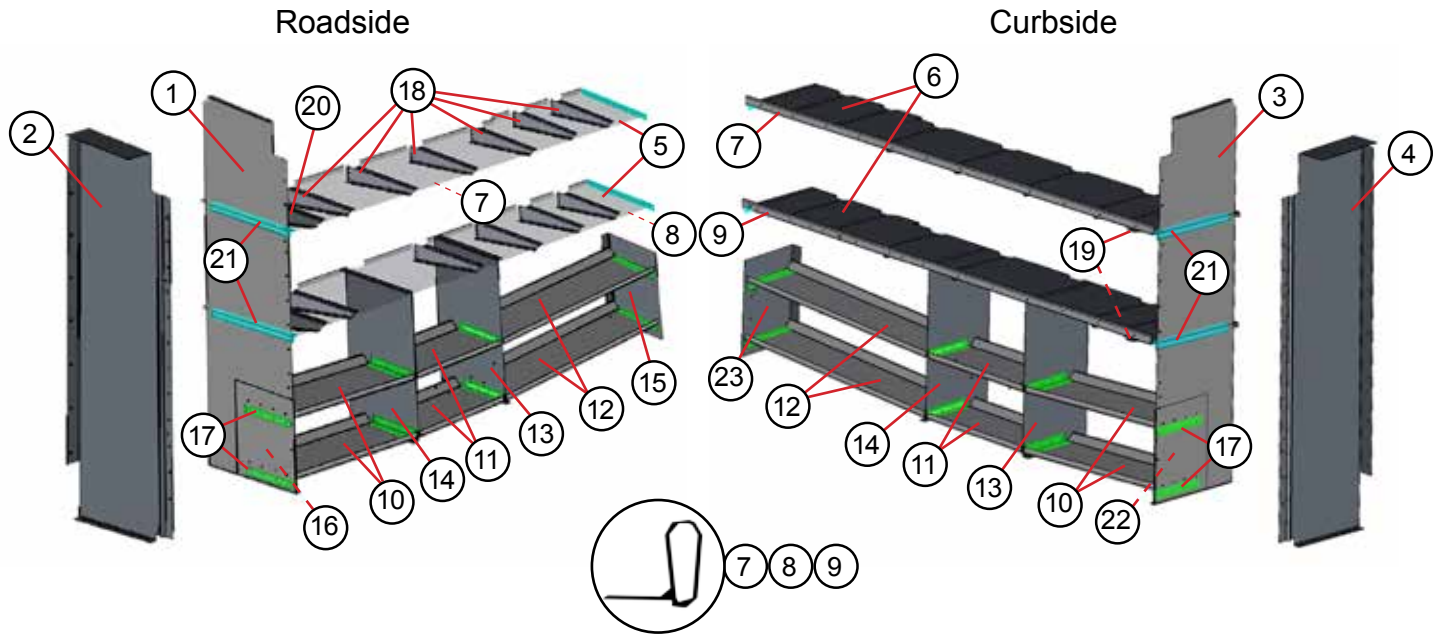
IN THE EVENT OF A DAMAGED, UN-READABLE OR MISSING SERIAL NUMBER,
PLEASE TRY TO PROVIDE THE COMPOSITION DETAILS OF THE DOOR PANEL.
(PLASTIC COATED, ALUMINUM CLAD, PLYWOOD, ETC.)



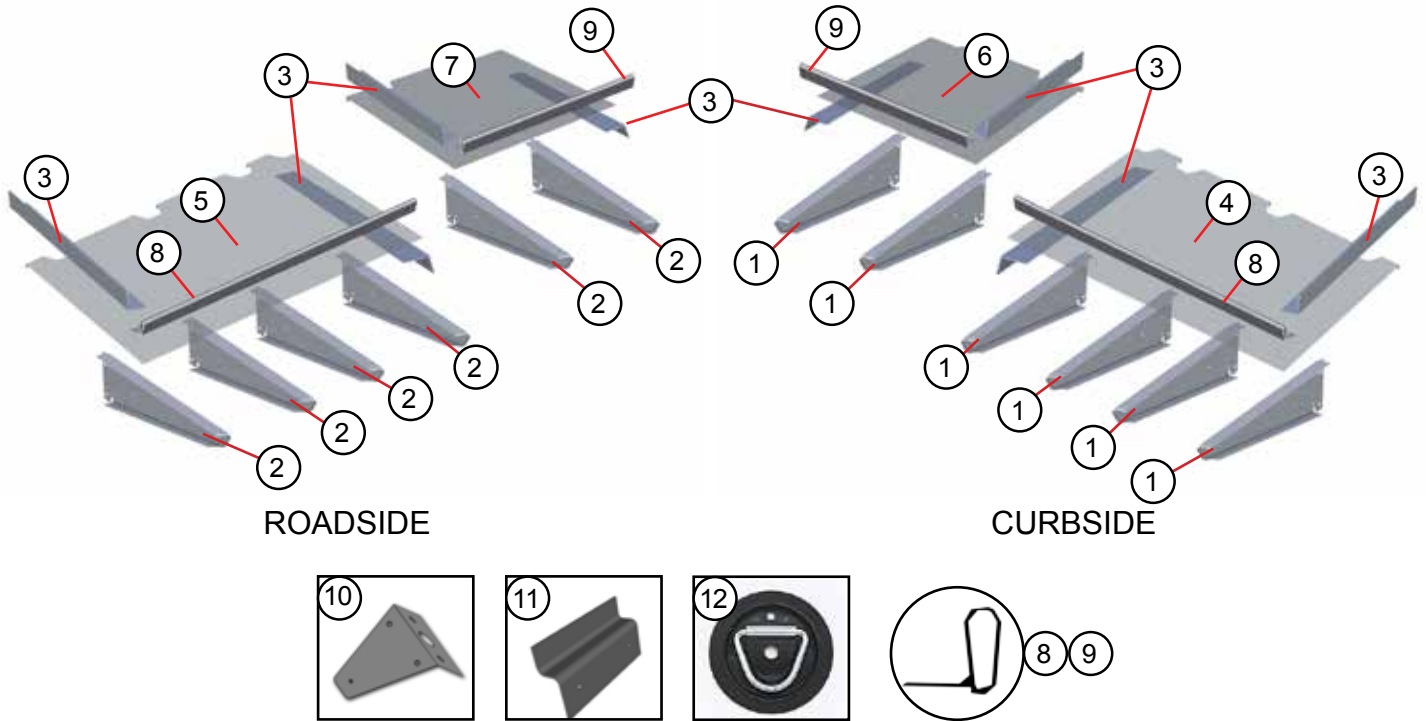


| ITEM # | PART # | DESCRIPTION | QTY. | UNIT |
|--------|-----------|--|------|------|
| | 47005895 | ROLL-UP DOOR WEATHERTITE 38.25X93.15 | 1 | EA |
| | 47005896 | ROLL-UP DOOR SIDES | 2 | EA |
| N/S | 005774400 | MOUNTING ANGLE | 2 | EA |
| 1 | PER S/N | VERTICAL TRACK ASM.- R/H (CURBSIDE) | 1 | EA |
| N/S | PER S/N | VERTICAL TRACK ASM.- L/H (ROADSIDE) | 1 | EA |
| 2 | N/A | HEX NUT - 5/16" NC | 6 | EA |
| 3 | N/A | LOCK WASHER - 5/16" | 6 | EA |
| 4 | N/A | HEX HEAD BOLT - 5/16" NC X 7/8" | 6 | EA |
| 5 | 61380 | BEARING ASSEMBLY | 2 | EA |
| 6 | 47009906 | HEX HEAD SET SCREW - 3/8" NC X 7/8" | 6 | EA |
| 7 | 1116524 | CABLE DRUM - L/H (ROADSIDE) | 1 | EA |
| 8 | 61379 | SPRING ANCHOR BRACKET | 1 | EA |
| 9 | 1116586 | BEARING - SPRING ANCHOR PLUG | 1 | EA |
| 10 | 47003640 | SPRING ANCHOR PLUG - 2 1/2" I.D. SPRING | 1 | EA |
| 11 | N/A | FILLER PLUG - 2 1/2" I.D. SPRING | 1 | EA |
| 12 | 47003641 | SPRING - 2 1/2" I.D. - #5 X 30" LONG | 1 | EA |
| 13 | 47003642 | COUNTERBALANCE SHAFT - 58 3/4" LONG | 1 | EA |
| 14 | 47003643 | SPRING WINDING PLUG - 2 1/2" I.D. SPRING | 1 | EA |
| 15 | 1116523 | CABLE DRUM - R/H (CURBSIDE) | 1 | EA |
| 16 | N/A | HEX HEAD BOLT - 1/4" NC X 1 3/4" | 2 | EA |
| 17 | 47003644 | HEAD PROTECTOR | 2 | EA |
| 18 | N/A | LOCK WASHER - 1/4" I.D. | 14 | EA |
| 19 | N/A | HEX NUT - 1/4" NC | 14 | EA |
| 20 | PER S/N | HORIZONTAL TRACK - R/H AND L/H | 1 | EA |
| 21 | 61384 | CABLE ASSEMBLY - 110" LONG | 1 | PR |
| 22 | 47106602 | BRUSH SIDE SEAL - 1" X 85.75" LONG | 2 | EA |
| 23 | 47003648 | BRUSH RETAINER - SIDE SEAL - 87" LONG | 2 | EA |
| 24 | PER S/N | WEATHERTITE TOP PANEL - 10 1/8" | 1 | EA |
| 25 | PER S/N | WEATHERTITE INTERM PANEL - 15" | 3 | EA |
| 26 | PER S/N | WEATHERTITE INTERM LOCK PANEL ASM. -15" | 1 | EA |
| 27 | PER S/N | WEATHERTITE BOTTOM PANEL - 15" | 1 | EA |
| 28 | 47003653 | SAFETY CHAIN LOCK ASSEMBLY | 1 | EA |
| 29 | 76431026 | STAINLESS STEEL SAFETY CHAIN W/XM - 3343 SLEEVE | 1 | EA |
| 30 | N/A | RIVET - STAINLESS STEEL - 1 1/8" | 28 | EA |
| 31 | 47003674 | PULL STRAP - 62" LONG (BLACK) | 1 | EA |
| 32 | 47000827 | PULL STRAP RETAINER | 1 | EA |
| 33 | N/A | SPLINED CARRIAGE BOLT - 1/4" NC X 1 1/2" | 2 | EA |
| 34 | 47003675 | CATCH MOUNTING PLATE - R/H (CURBSIDE) | 1 | EA |
| N/S | 47003676 | CATCH MOUNTING PLATE - L/H (ROADSIDE) | 1 | EA |
| 35 | N/A | STEP BOLT - 1/4" NC X 1 1/4" STAINLESS STEEL | 8 | EA |
| 36 | 47003677 | LOCK CATCH | 2 | EA |
| 37 | 47000080 | END LATCH - R/H (CURBSIDE) (47000081 - ROADSIDE) | 1 | EA |
| 38 | N/A | FLANGE LOCK NUT - 5/16" NC | 4 | EA |

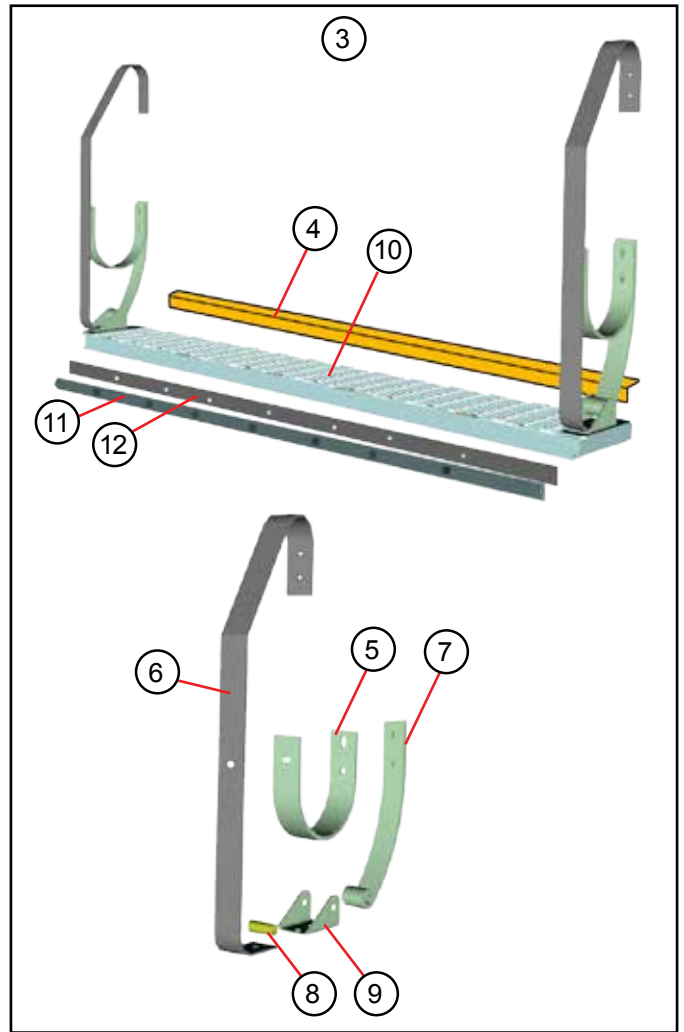
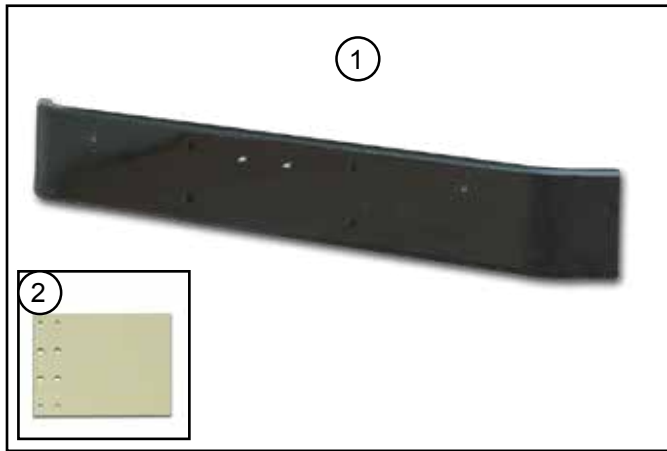
| ITEM # | PART # | DESCRIPTION | QTY. | UNIT |
|--------|-----------|---|------|------|
| 39 | 47003678 | LOCK CABLE ASSEMBLY - 24 - 9/16" LONG | 2 | EA |
| 40 | N/A | RIVET - STAINLESS STEEL - 1" LONG | 46 | EA |
| 41 | 47003679 | CENTER CONTROL ASSEMBLY | 1 | EA |
| 42 | 47001176 | HANDLE REAR DOOR - LOCKING | 1 | EA |
| 43 | N/A | OVAL HEAD MACHINE SCREW - #10 - 32 X 1 1/4" | 2 | EA |
| 44 | 47001181 | LOCK CYLINDER - STATIONARY | 1 | EA |
| 45 | N/A | FLAT WASHER - 1/4" I.D. | 3 | EA |
| 46 | 47000082 | TOP CAM CATCH | 1 | EA |
| 47 | N/A | LOCK NUT - 1/4" NC | 1 | EA |
| 48 | 1116536 | LIFT HANDLE | 1 | EA |
| 49 | 47003681 | RETAINING RING | 1 | EA |
| 50 | N/A | COTTER PIN - 3/32" DIA. | 2 | EA |
| 51 | 47009923 | CABLE ANCHOR BRACKET | 2 | EA |
| 52 | 1116538 | CABLE ANCHOR PIN | 2 | EA |
| 53 | 47003682 | LOCK COVER - ALUMINUM - 58 1/4" LONG | 1 | EA |
| 54 | N/A | 1/4" POP RIVET | 30 | EA |
| 55 | 47003683 | BOTTOM SEAL - HEAVY DUTY - 58 3/4" LONG | 1 | EA |
| 56 | 47003684 | BOTTOM ANGLE - 53 3/4" LONG | 1 | EA |
| 57 | 47003685 | HEAVY DUTY BOTTOM FIXTURE - R/H (CURBSIDE) | 1 | EA |
| N/S | 47003694 | HEAVY DUTY BOTTOM FIXTURE - L/H (ROADSIDE) | 1 | EA |
| 58 | N/A | RIVET - STAINLESS STEEL - 1 1/4" LONG | 4 | EA |
| 59 | 61360 | ROLLER - SEALED | 14 | EA |
| 60 | 47009917 | SPACER WASHER - ROLLER | 16 | EA |
| 61 | 61419 | END HINGE | 10 | EA |
| 62 | 61397 | CENTER HINGE | 10 | EA |
| 63 | 1116531 | BASE - ADJUSTABLE TOP FIXTURE | 2 | EA |
| 64 | 1116530 | SLIDE - ADJUSTABLE TOP FIXTURE | 2 | EA |
| 65 | N/A | FLAT WASHER - 3/8" I.D. | 2 | EA |
| 66 | 47009912 | E-LOK BOLT - 3/8" NC | 2 | EA |
| 67 | PER S/N | HEAD SEAL RETAINER - 58 3/4" LONG | 1 | EA |
| 68 | PER S/N | BRUSH SIDE SEAL - 1" BRUSH | 2 | EA |
| N/S | PER S/N | BRUSH HEAD SEAL - 1-1/2" BRUSH | 1 | EA |
| 69 | N/A | DRIVE RIVET - 3/16" X 15/32" LONG | 4 | EA |
| 70 | 47003690 | HEAD SEAL RETAINER - 54" LONG | 1 | EA |
| N/S | 47003691 | SIDE RETAINER 86" -LONG | 1 | EA |
| 71 | 158130405 | PLATE ROLL UP DOOR AL .125X1.77X3.72 | 1 | EA |
| 73 | 98775400 | BRACKET SPACER AL .125X4X8.73 | 1 | EA |
| 74 | 148130400 | SUPPORT TRACK AL.125X5.5X96.05 | 2 | EA |
| 75 | 83024136 | PLATE MOUNTING TRACK STEEL 11GAX2.5X4 | 6 | EA |
| 76 | 92750304 | ANGLE CLIP RUD AL 450196X1.5 | 2 | EA |
| NS | 098130400 | SHIM RUD AL.25X3X41 | 1 | EA |
| 77 | 099001455 | KICK PLATE DROP FLOOR ALD.08X3.85X28 | 1 | EA |
| 78 | 97435300 | PLATE MOUNTING DRAIN AL .102X2.5X3.75 | 2 | EA |
| 79 | 47006607 | VALVE DRAIN NAV #1675955C1 | 2 | EA |



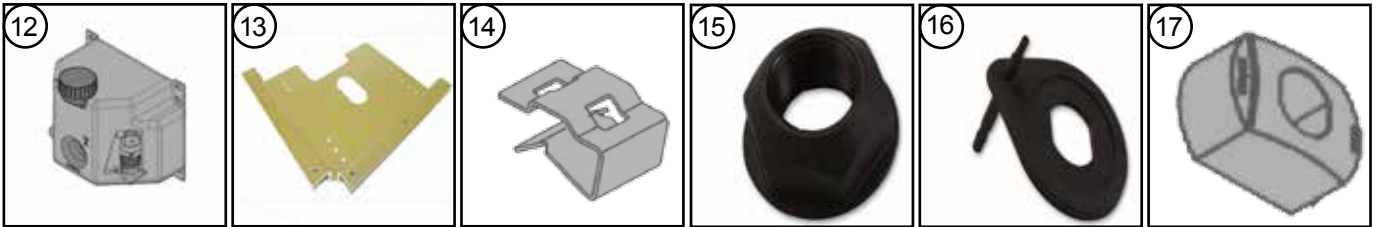
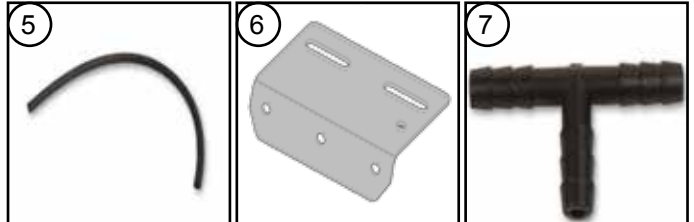
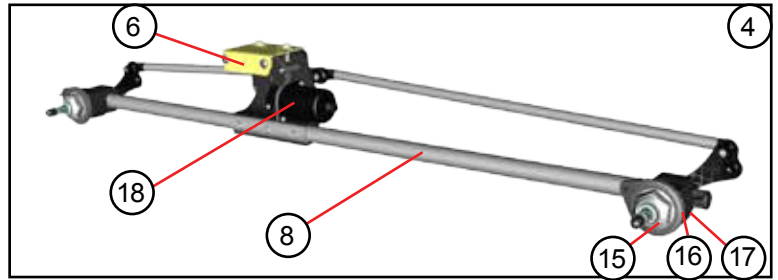
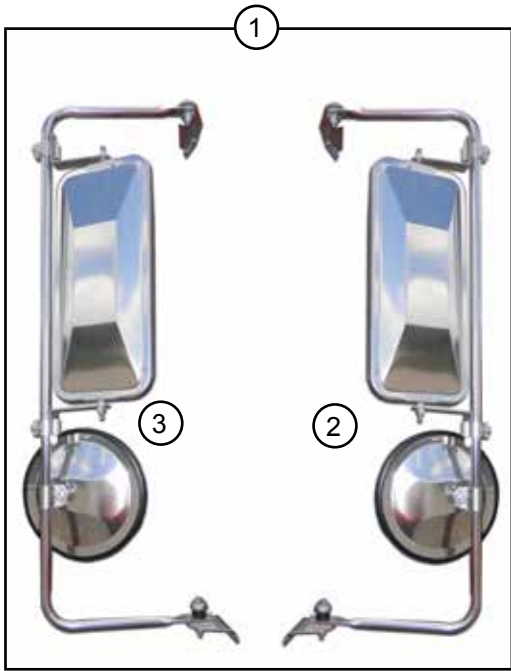
| ITEM # | PART # | DESCRIPTION | QTY. | UNIT |
|--------|-----------|-----------------------------------|------|------|
| 1 | 158105419 | PANEL END AL.125X24.08X93.63LH | 1 | EA |
| 2 | 158105421 | PANEL END AL.102X28.47X99.64LH | 1 | EA |
| 3 | 158105420 | PANEL END AL.125X24.08X93.63RH | 1 | EA |
| 4 | 158105422 | PANEL END AL.102X28.47X99.64RH | 1 | EA |
| 5 | 158105416 | PANEL SHELF AL.102X28.44X143.13LH | 2 | EA |
| 6 | 158105417 | PANEL SHELF AL.102X28.44X143.13RH | 2 | EA |
| 7 | 158105423 | SHELF LIP AL450589X143.13 | 2 | EA |
| 8 | 158105424 | SHELF LIP AL450589X143.13 | 1 | EA |
| 9 | 158105425 | SHELF LIP AL450589X143.13 | 1 | EA |
| 10 | 158105406 | PANEL SHELF AL.188X19.81X43.25LH | 4 | EA |
| 11 | 158105408 | PANEL SHELF AL.188X19.81X36LH | 4 | EA |
| 12 | 158105410 | PANEL SHELF AL.188X19.81X64.44LH | 4 | EA |
| 13 | 158105400 | SUPPORT SHELF AL.188X20.5X41.13LH | 2 | EA |
| 14 | 158105401 | SUPPORT SHELF AL.188X20.5X41.13RH | 2 | EA |
| 15 | 158105403 | PANEL END FWD AL.188X19.65X24LH | 1 | EA |
| 16 | 158105404 | PANEL END AFT AL.188X19.65X22.16 | 1 | EA |
| 17 | 158105437 | ANG SUPPORT AL.188X4.31X12.63 | 16 | EA |
| 18 | 125105416 | ARM SHELF AL.125X7.36X21.16LH | 11 | EA |
| NS | 125105417 | ARM SHELF AL.125X7.36X21.16RH | 11 | EA |
| 19 | 158105412 | SHELF ARM AL.125X8.56X25.67LH | 2 | EA |
| 20 | 158105413 | SHELF ARM AL.125X8.56X25.67RH | 2 | EA |
| 21 | 074024400 | STIFFENER TR/FL AL 450180X23 | 8 | EA |
| 22 | 158105438 | PANEL END AFT AL.188X19.65X22.16 | 1 | EA |
| 23 | 158105405 | PANEL END FWD AL.188X19.65X24LH | 1 | EA |
| | | | 2 | EA |



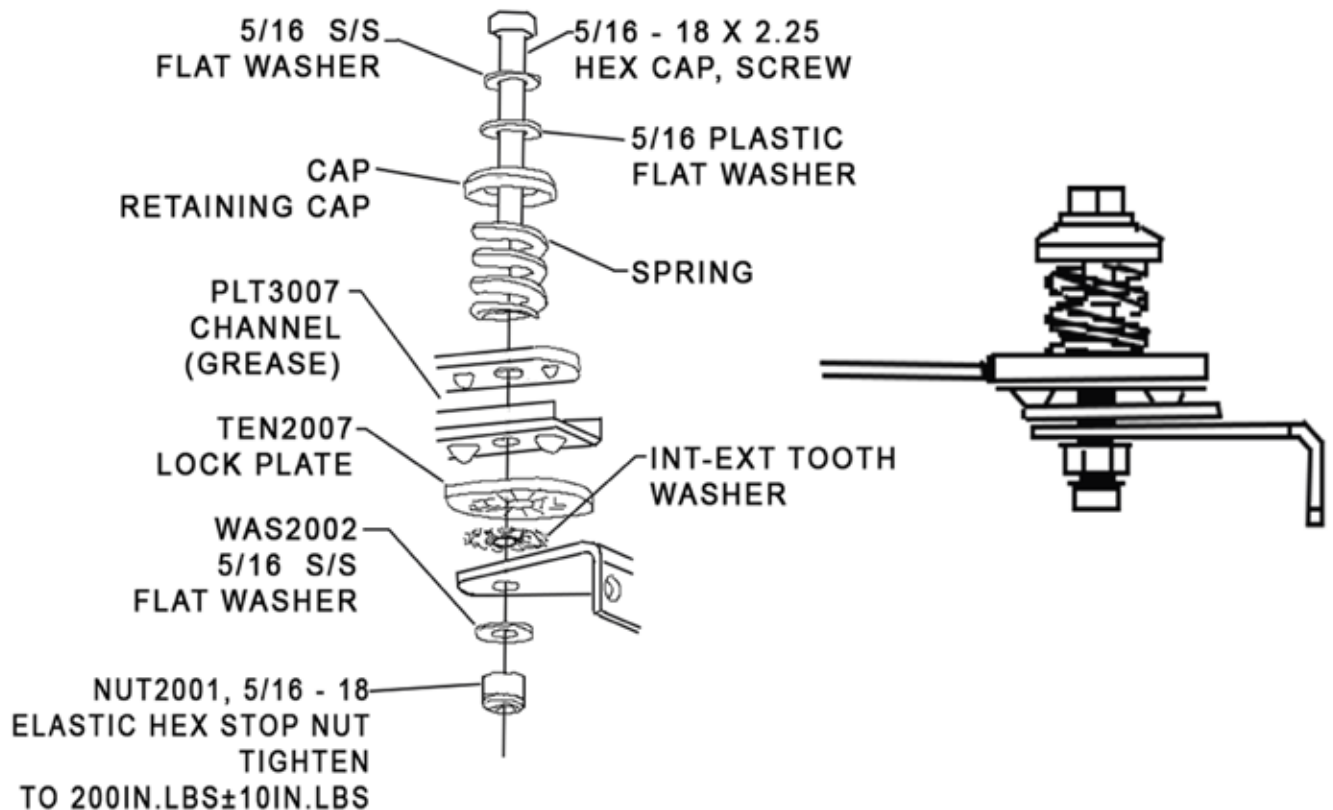
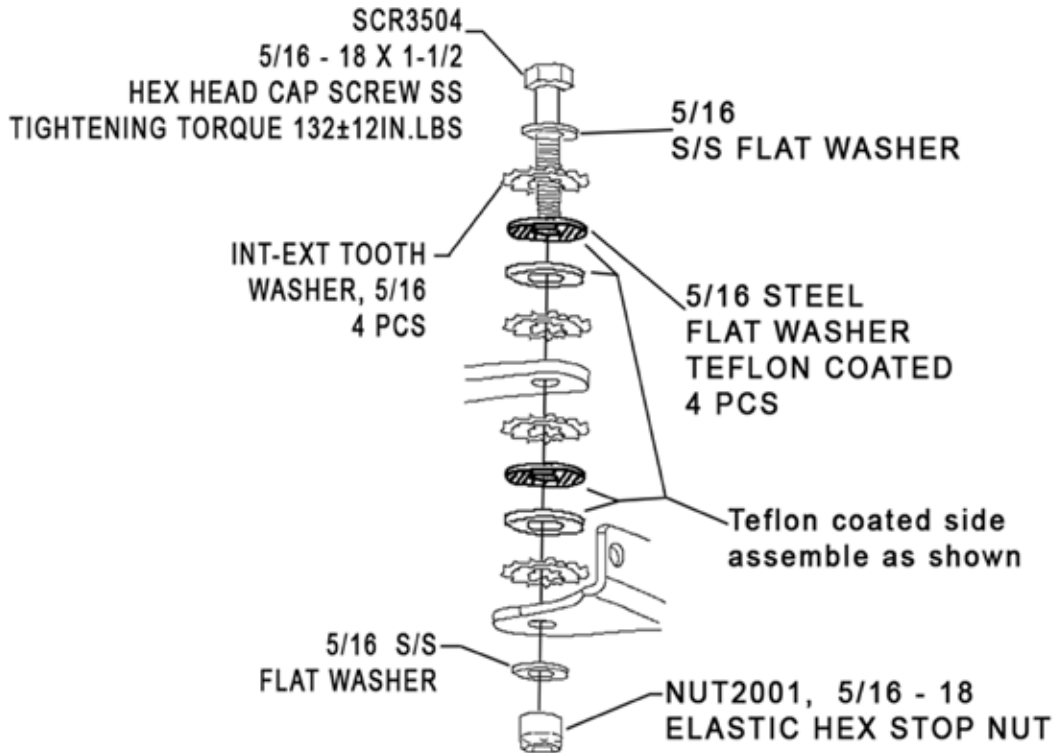
| ITEM # | PART # | DESCRIPTION | QTY. | UNIT |
|--------|-----------|---|------|------|
| 1 | 093105400 | SUPPORT SHELF AL.125X7.6X24.6 RH | 6 | EA |
| 2 | 093105410 | SUPPORT SHELF AL.125X7.6X24.81 LH | 6 | EA |
| 3 | 083105407 | ANGLE SHELF RR AL 450523X23.25 | 8 | EA |
| 4 | 158105426 | PANEL SHELF RR AL.102X25.26X68.5 RH | 1 | EA |
| 5 | 158105428 | PANEL SHELF RR AL.102X25.26X68.5 LH | 1 | EA |
| 6 | 158105429 | PANEL SHELF OVER W/B AL.102X25.26X38.5 RH | 1 | EA |
| 7 | 158105430 | PANEL SHELF OVER W/B AL.102X25.26X38.5 LH | 1 | EA |
| 8 | 158105427 | LIP SHELF AL450589X68.5 | 2 | EA |
| 9 | 158105433 | LIP SHELF AL450589X38.5 | 2 | EA |
| 10 | 093105703 | SUPPORT BRACKET STEEL 11GAX4.38X7.56 | 8 | EA |
| 11 | 45052303 | ANGLE SUPPORT Z AL 450523X11.88 | 2 | EA |
| 12 | 47006020 | TIE DOWN RING | 52 | EA |

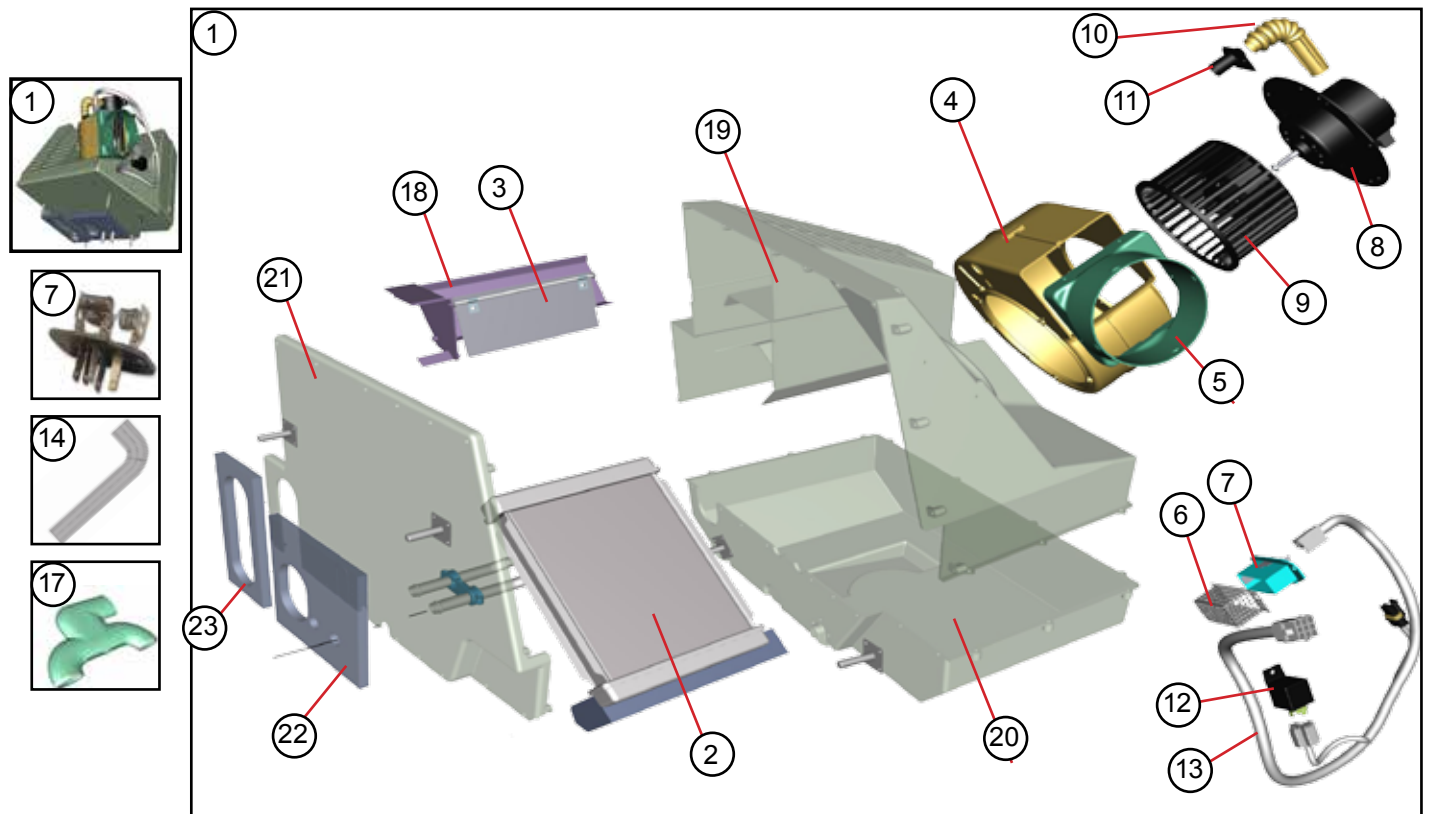


| ITEM # | PART # | DESCRIPTION | QTY. | UNIT |
|--------|-----------|---|------|------|
| 1 | | BUMPER FRONT - SUPPLIED BY CHASSIS MFG. | 1 | EA |
| 2 | 95806331 | PLATE HANGER BUMPER STEEL .312X11X16.07 | 2 | EA |
| 3 | 118057002 | BUMPER REAR 93W STEEL SGL SPRING | 1 | EA |
| 4 | 89857310 | ANGLE SILL REAR 86W AL 450191X82 | 1 | EA |
| 5 | 1101503 | SPRING W/BRKT BUMPER MID | 2 | EA |
| 6 | 47003995 | SPRING BUMPER OUTER | 2 | EA |
| 7 | 1101517 | SPRING BUMPER INNER 72457014 | 2 | EA |
| 8 | 1107219 | BUSH .5X1X2.38 | 2 | EA |
| 9 | 72457013 | BRACKET BUMPER REAR STEEL7GAX4.88X7.9 | 2 | EA |
| 10 | 47022600 | WELDMENT REAR BUMPER 12" 93W 3LB | 1 | EA |
| 11 | 44002020 | PROTECTIVE BUMPER RUBBER DX90 | 1 | EA |
| 12 | 117057400 | PLATE BACK BUMPER STEEL14GAX.88X90 | 1 | EA |

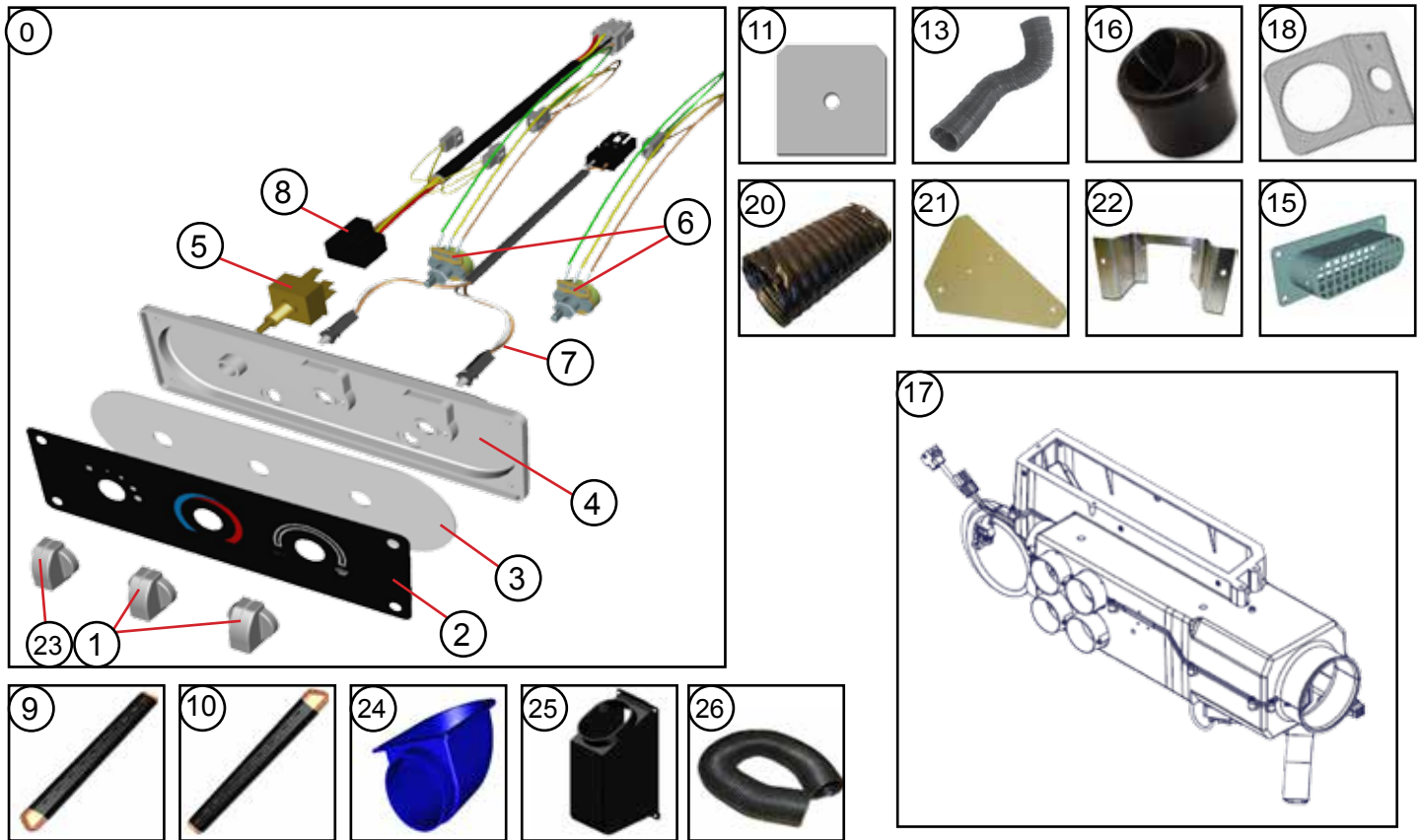


| ITEM # | PART # | DESCRIPTION | QTY. | UNIT |
|-------------------------|-----------|-------------------------------|------|------|
| 1 | | MIRROR INSTALLATION | 1 | PR |
| 2 | 47005641 | MIRROR ASSEMBLY LH | 1 | EA |
| 3 | 47005642 | MIRROR ASSEMBLY RH | 1 | EA |
| WINDSHIELD WIPER | | | | |
| 5 | 1107122 | HOSE .188 ID WSW | 12 | FT |
| 6 | 083055454 | BRACKET WIPER MOTOR | 1 | EA |
| 7 | 1101694 | TEE WSWA U/T | 1 | EA |
| 8 | 47004188 | WIPER SYSTEM TBLR 2 PIVOT | 1 | EA |
| 9 | 007363004 | WIPER ARM WITH BLADE | 1 | EA |
| 10 | 47004134 | BLADE 24IN BLACK | 1 | EA |
| 11 | 47004186 | ARM WSW WET 22IN RADIAL BLACK | 1 | EA |
| 12 | 47004505 | RSVR W/PUMP WSWA | 1 | EA |
| 13 | 003705413 | BRACKET MOUNTING RSVR | 1 | EA |
| 14 | 46021115 | CLIP BODY LARGE PAN | 1 | EA |
| 15 | 47005901 | NUT | 2 | EA |
| 16 | 47005902 | PIVOT COVER | 2 | EA |
| 17 | 47005903 | SPACER | 2 | EA |
| 18 | 47005900 | MOTOR WINDSHIELD WIPER | 1 | EA |

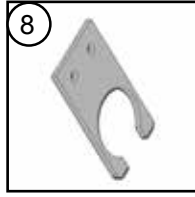
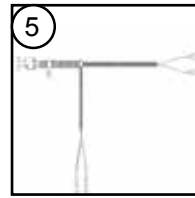
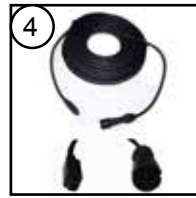
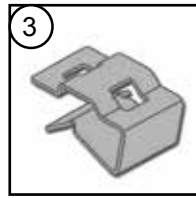




| ITEM # | PART # | DESCRIPTION | QTY | UNIT |
|--------|-----------|--|-----|------|
| 1 | 555001014 | HEATER ASSEMBLY (INSTALLATION 118080008) | 1 | EA |
| 2 | 47008760 | HEATER COIL W/GASKET & CLAMP | 1 | EA |
| 3 | 47008753 | DOOR W/SEAL | 1 | EA |
| 4 | 47008754 | BLOWER HOUSING | 1 | EA |
| 5 | 47008755 | BLOWER ADAPTER | 1 | EA |
| 6 | 47008732 | RESISTER CAGE | 1 | EA |
| 7 | 47008357 | RESISTER | 1 | EA |
| 8 | 47008756 | BLOWER MOTOR | 1 | EA |
| 9 | 47008757 | BLOWER WHEEL | 1 | EA |
| 10 | 47008730 | VENT TUBE | 1 | EA |
| 11 | 47008731 | VENT TUBE ADAPTOR | 1 | EA |
| 12 | 47008716 | RELAY | 1 | EA |
| 13 | 47008758 | HARNESS | 1 | EA |
| 14 | 47008580 | FORMED HEATER HOSE | 2 | EA |
| NS | 555002053 | VALVE WAT SCS #70-07754 | 1 | EA |
| NS | 098080004 | DUCT FT DUMP SPCL | 1 | EA |
| 17 | 090080401 | DUCT FT DUMP SPCL | 1 | EA |
| 18 | N/A | AC PARTITION - PART OF HEATER ASSEMBLY | 1 | EA |
| 19 | N/A | HOUSING UPPER - PART OF HEATER ASSEMBLY | 1 | EA |
| 20 | N/A | HOUSING LOWER - PART OF HEATER ASSEMBLY | 1 | EA |
| 21 | N/A | HOUSING BACK - PART OF HEATER ASSEMBLY | 1 | EA |
| 22 | 21-01201 | GASKET - PART OF HEATER ASSEMBLY | 1 | EA |
| 23 | 21-01202 | GASKET - PART OF HEATER ASSEMBLY | 1 | EA |

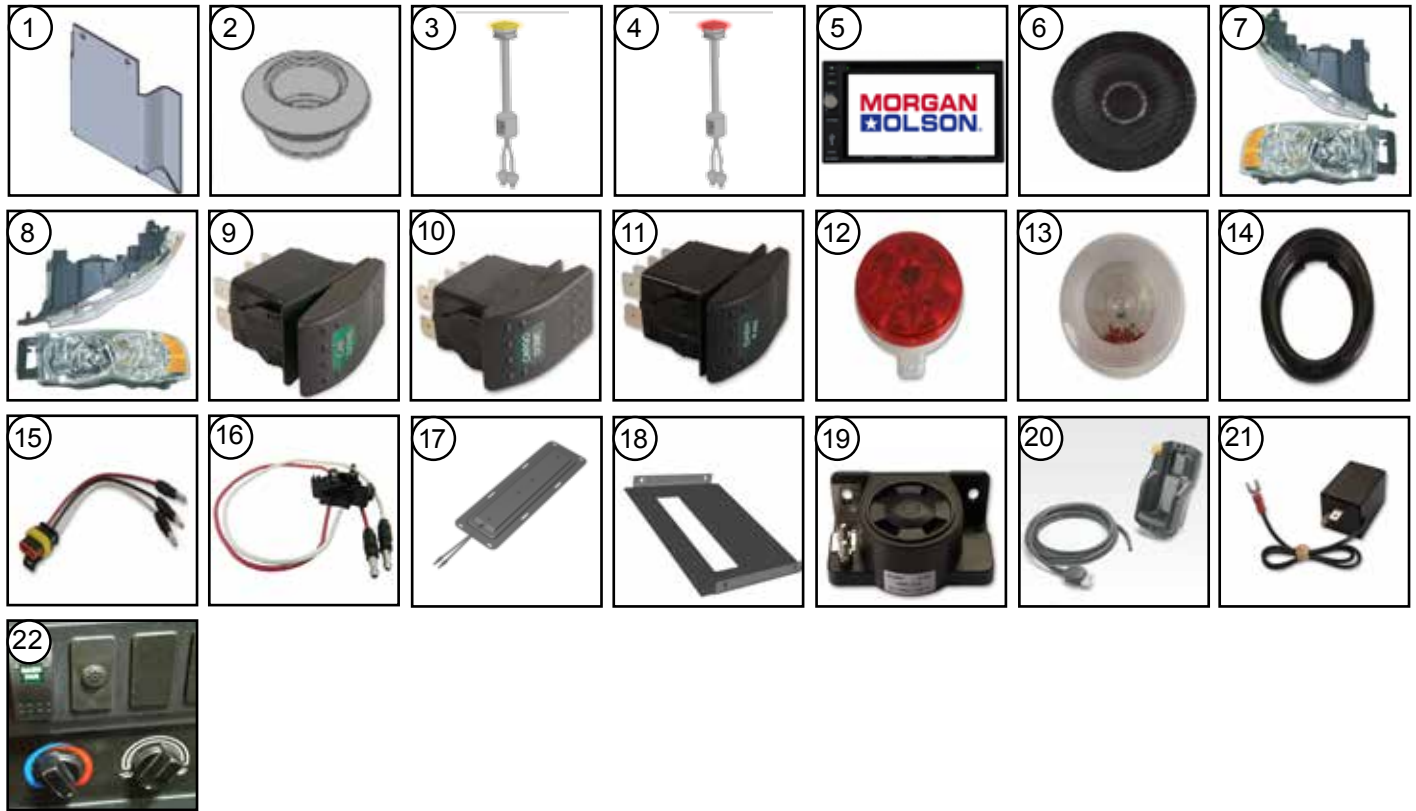


| ITEM # | PART # | DESCRIPTION | QTY | UNIT |
|--------|-----------|---|-----|------|
| 0 | 555001413 | CONTROL PANEL ASSEMBLY | 1 | EA |
| 1 | 47008706 | KNOB | 2 | EA |
| 23 | 47008735 | KNOB | 1 | EA |
| 2 | 47008707 | DECAL | 1 | EA |
| 3 | 47008708 | LIGHT PANEL | 1 | EA |
| 4 | 47008709 | CONTROL SUB PANEL | 1 | EA |
| 5 | 47008700 | BLOWER SWITCH | 1 | EA |
| 6 | 47008710 | POTENTIOMETER SWITCH | 2 | EA |
| 7 | 47008711 | HARNES ILLUMINATION W/BULBS | 1 | EA |
| 8 | 47008712 | HARNES BLOWER MOTOR | 1 | EA |
| 9 | 555001723 | DEFROST DUCT CURBSIDE METAL | 1 | EA |
| 10 | 555001724 | DEFROST DUCT ROADSIDE METAL | 1 | EA |
| 11 | 093080400 | HOLD DOWN PLATE DEFROSTER DUCTS | 4 | EA |
| 13 | 555001523 | HOSE DEFROSTER 2.5X16 (555001524 - HOSE DEFROSTER 2.5X30) | 1 | EA |
| 13 | 555001525 | HOSE DEFROSTER 2.5x38 | 2 | EA |
| 15 | 555002003 | COLLER FRESH AIR INTAKE | 1 | EA |
| 16 | 555001715 | LUVER BALL | 6 | EA |
| 17 | 555001321 | DUCT HVAC | 1 | EA |
| 18 | 107027405 | BRACKET HEATER VENT | 1 | EA |
| 20 | 555001533 | HOSE BLOWER HEATER/DEFROSTER 5"X7.5" | 1 | EA |
| 21 | 005780402 | MOUNTING PLATE | 1 | EA |
| 22 | 002080400 | BRACKET HEATER CONTROL AL .102X3X11.67 | 1 | EA |
| 24 | 555002005 | PLENUM FRESH AIR HVAC TOEBOARD | 1 | EA |
| 25 | 555002006 | PLENUM FRESH AIR HVAC SIDE WALL | 1 | EA |
| 26 | 555001532 | HOSE FRESH AIR HVAC 4" DIA | 1 | EA |

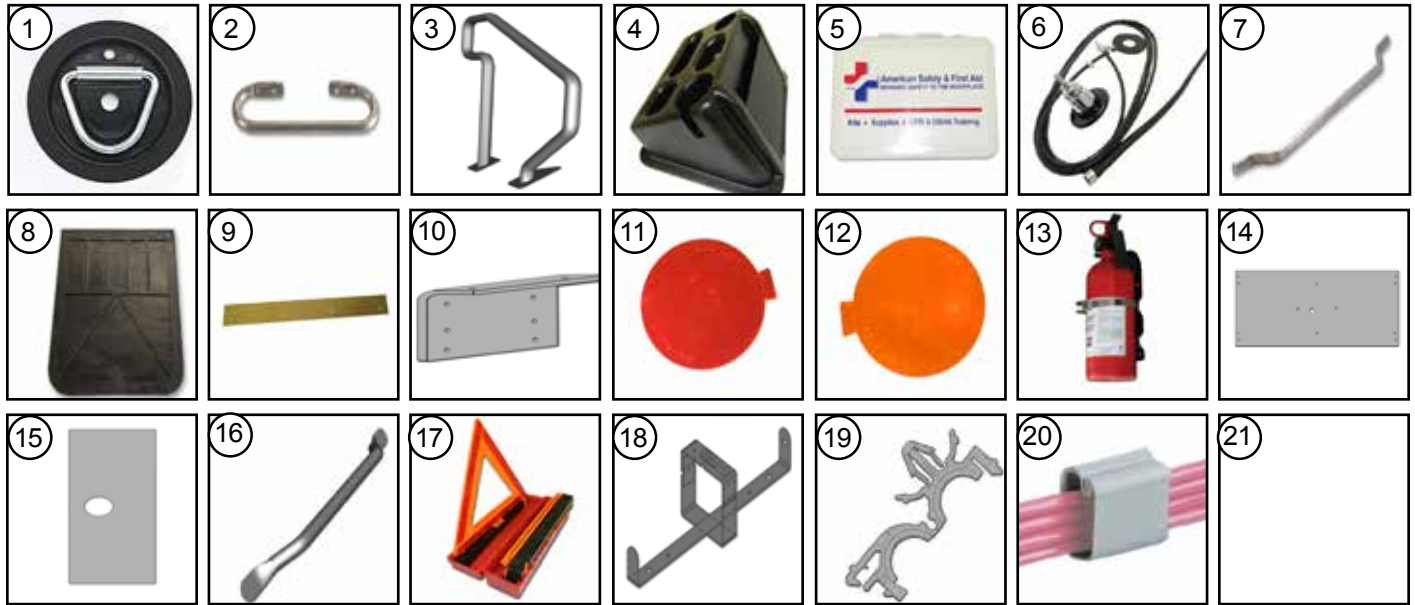


| ITEM # | PART # | DESCRIPTION | QTY. | UNIT |
|--------|-----------|--|------|------|
| 1 | 46030011 | FAN 2SPEED NO SWITCH 270CFM | 1 | EA |
| 2 | 46023605 | SWITCH ROCKER DASH FAN SPDT ON-OFF-ON | 1 | EA |
| 3 | 46021115 | CLIP LARGE BODY (SAME AS 005392206) | 1 | EA |
| 3 | 46021114 | CLIP MEDIUM BODY (SAME APPEARANCE AS ITEM 3) | 1 | EA |
| 4 | 48200025 | HARNESS - REAR CAMERA TO MONITOR 40FT | 1 | EA |
| 5 | 46025591 | HARNESS - SPEAKER WIRING | 1 | EA |
| NS | 006385205 | HARNESS - HOOD FBG M2 FCC 93W | 1 | EA |
| NS | 147391200 | HARNESS - ROOF NOSE | 1 | EA |
| NS | 098084202 | HARNESS - FUSE CENTER | 1 | EA |
| NS | 098084203 | HARNESS - INSTRUMENT PANEL | 1 | EA |
| NS | 093093203 | HARNESS - ROOF 21/24FT6IN M100 | 1 | EA |
| NS | 100081201 | HARNESS - REAR LIGHTS S/T/T/ W/LOOM LED | 1 | EA |
| NS | 100081202 | HARNESS - ASSEMBLY ALARM B/U W/LOOM INCAN | 1 | EA |
| NS | 093093205 | HARNESS - TRANSOM CHMSL READY | 1 | EA |
| NS | 148084200 | HARNESS - COM CENTER FCC 2011 | 1 | EA |
| NS | 007381203 | HARNESS - MID BODY MARKER | 1 | EA |
| NS | 142086200 | HARNESS - REAR WRG LH BACK PANEL D/FLR | 1 | EA |
| NS | 142086201 | HARNESS - REAR WRG RH BACK PANEL D/FLR | 1 | EA |
| NS | 46010845 | HARNESS - BACKUP ALARM | 1 | EA |
| NS | 090093202 | HARNESS JUMPER CARGO DOME LAMP | 1 | EA |
| NS | 110094201 | HARNESS - MONITOR MOD SVLCD MON | 1 | EA |
| NS | 48200114 | MONITOR BACK UP 5.6" CLR LCD DEKIT | 1 | EA |
| NS | 46003017 | LAMP INT WIPER | 1 | EA |
| NS | 008300401 | LABEL FUSE BLOCK FCC 2012 CURBSIDE | 1 | EA |
| NS | 008300402 | LABEL FUSE BLOCK FCC 2012 ROADSIDE | 1 | EA |
| NS | 46023310 | SWITCH WIPER INT SGL MTR D/PK W/WASH | 1 | EA |
| 6 | 1111001 | LAMP LICENSE PLATE SS 9369W | 1 | EA |
| 7 | 46024513 | ALARM BACK-UP | 1 | EA |
| 8 | 090087401 | PLATE FILLER WIRING | 2 | EA |
| NS | 007388300 | HARNESS JUMPER Y 1WR P&P X6 BACK UP ALARM | 2 | EA |

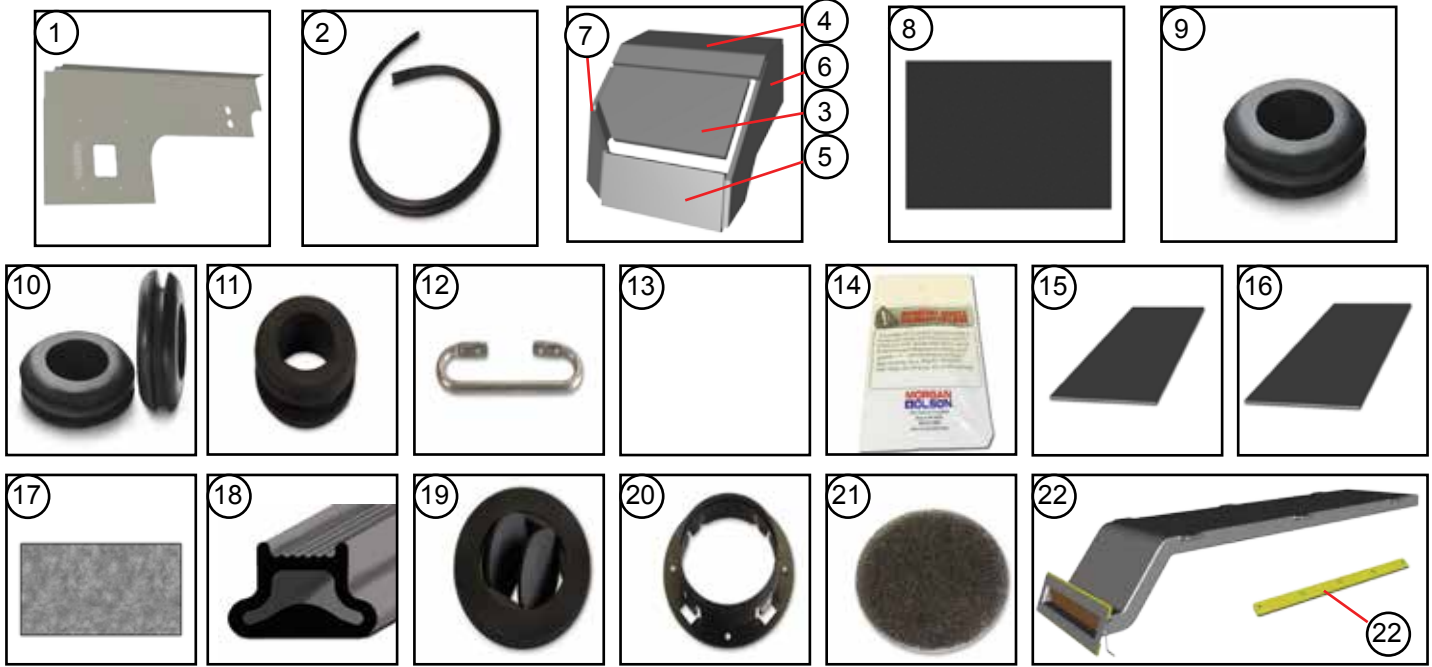
SEE PAGE 34 FOR WIRING HARNESS DIAGRAMS



| ITEM # | PART # | DESCRIPTION | QTY. | UNIT |
|--------|-----------|--|------|------|
| 1 | 158005401 | COVER IZOOM EZ-PASS ANTI THEFT | 1 | EA |
| 2 | 46001342 | GROMMET FOR CLEARANCE MARKERS | 1 | EA |
| 3 | 46001339 | LAMP CLEARANCE MARKER LED PC - AMBER X7 | 1 | EA |
| 3 | 46001344 | LAMP CLEARANCE MARKER LED PC - AMBER X1 | 1 | EA |
| 3 | 46001362 | LAMP CLEARANCE MARKER LED PC - AMBER X1 | 1 | EA |
| 4 | 46001340 | LAMP CLEARANCE MARKER LED NO PC - RED X7 | 1 | EA |
| 5 | 46025605 | RADIO AM/FM/CD/WB/MON/NAV DOUBLE DIN | 1 | EA |
| 6 | 46025590 | SPEAKER 6.5 IN. | 1 | PR |
| 7 | 46000307 | HEADLAMP CURBSIDE | 1 | EA |
| 8 | 46000308 | HEADLAMP ROADSIDE | 1 | EA |
| 9 | 46023508 | SWITCH ROCKER CAB DOME SPST ON-OFF | 1 | EA |
| 10 | 46023603 | SWITCH ROCKER FRONT CARGO DOME SPDT ON-ON | 1 | EA |
| 11 | 46023605 | SWITCH ROCKER DASH FAN SPDT ON-OFF-ON | 1 | EA |
| 12 | 46002222 | LAMP REAR COMB LED | 1 | EA |
| 13 | 46001406 | LAMP B/U SEALED | 1 | EA |
| 14 | 46004402 | GROMMET 4" ROUND BLACK | 1 | EA |
| 15 | 46012046 | PIGTAIL STOP/TURN/TAIL LED | 1 | EA |
| 16 | 46012048 | PIGTAIL BACKUP LED IN | 1 | EA |
| 17 | 46002638 | LAMP DOME CARGO LED (DOME LAMP CAB - 46002636) | 3 | EA |
| 18 | 100092401 | BRACKET DOME LAMP AL.102X19.25X25.32 | 1 | EA |
| 19 | 46024513 | ALARM BACK UP | 1 | EA |
| 20 | CFVCD5500 | CHARGING DOCK MOTOROLA VCD5500 | 1 | EA |
| 21 | 46026380 | FLASHER FOR TTL LED | 1 | EA |
| NS | 128023001 | TRANSPONDER FSTNR I 7" CTRS | 1 | EA |
| 22 | 160079000 | MICROPHONE BLUE TOOTH FOR RADIO | 1 | EA |



| ITEM # | PART # | DESCRIPTION | QTY. | UNIT |
|--------|-----------|--|------|------|
| 1 | 47006020 | TIEDOWN RING (SUPPORT ANGLE AL450194X54 - 096127422) | 26 | EA |
| 2 | 90187300 | GRAB HANDLE .5DIA X15.7 | 3 | EA |
| 3 | 47001056 | RAIL GRAB RH TOEBOARD (SUPPORT ANGLE 001731405) | 1 | EA |
| NS | 48200114 | MONITOR B/U 5.6" CLR LCD DEKIT | 1 | EA |
| 4 | 47009653 | CENTER CONSOLE CONVENIENCE CENTER | 1 | EA |
| 5 | 007301001 | FIRST AID KIT - DSL/GAS W/O LOGO US RSK | 1 | EA |
| 6 | 46025559 | ANTENNA TP/SI MITO #10-CAM1CRM0 | 1 | EA |
| 7 | 98150310 | GRAB HANDLE AL 450243X26.38 QTY 2 | 1 | EA |
| 8 | 1107309 | MUD FLAPS 24X36 BLACK NO LOGO 1 PAIR | 1 | EA |
| 9 | 7504428 | RETAINER MUD FLAPS | 1 | EA |
| 10 | 80795014 | ANGLE RETAINER MUD FLAPS | 1 | EA |
| 11 | 46025017 | REFLECTOR RED SPITFIRE 2.88 DIA. X4 | 1 | EA |
| 12 | 46025018 | REFLECTOR AMBER SPITFIRE 2.88 DIA. X2 | 1 | EA |
| 13 | 47009621 | FIRE EXTINGUISHER W/BRACKET & MET STRAP | 1 | EA |
| 14 | 100092400 | BRACKET DOME LAMP MOUNTING (3 LOAD / 1 CAB) | 1 | EA |
| NS | 95801001 | TIE DOWN KIT | 1 | EA |
| 15 | 78331095 | PLATE TIE DOWN | 1 | EA |
| 16 | 47001082 | GRAB 1" AL 31.875L 2.75DP ANZ | 1 | EA |
| 17 | 47009547 | REFLECTOR KIT - TRIANGLES | 1 | EA |
| 18 | 47009548 | BRACKET REFLECTOR FLARE KIT | 1 | EA |
| 19 | 46021301 | CLAMP LOOM PUSH IN QTY-13 | 1 | EA |
| 20 | 47006615 | CLIP WIRE GUIDES .75X.75 (1x1.5 - 47006617) | 1 | EA |
| 21 | | | 1 | EA |



| ITEM # | PART # | DESCRIPTION | QTY. | UNIT |
|--------|-----------|--|------|------|
| 1 | 093116410 | INSULATION DASH WALL | 1 | EA |
| 2 | 1107270 | SEAL ENGINE BOX LID | 8 | FT |
| 3 | 098028401 | ENGINE BOX INSULATION 42002056X13.55X28.25 | 1 | EA |
| 4 | 098005404 | ENGINE BOX INSULATION 42002056X14.28X31.29 | 1 | PR |
| 5 | 098005405 | ENGINE BOX INSULATION 42002056X15.09X33.05 | 1 | EA |
| 6 | 098005406 | ENGINE BOX INSULATION 42002056X21.25X30.59 | 1 | EA |
| 7 | 098005407 | ENGINE BOX INSULATION 42002056X19.58X30.72 | 1 | EA |
| 8 | 42002055 | SOUND ABSORBING FLOOR MAT 60X95 | 0 | EA |
| 9 | 1107109 | GROMMET | 1 | EA |
| 10 | 44000052 | GROMMET | 5 | EA |
| 11 | 46004416 | GROMMET 1ID .25 MATERIAL THICKNESS | 1 | EA |
| 12 | 90187300 | GRAB HANDLE .5DIA X15.7 | 3 | EA |
| 14 | 43004362 | BAG PLASTIC DOCUMENT WALK-IN | 1 | EA |
| 15 | 098137401 | PLATE STEP FBG .125X7.75X22 | 1 | EA |
| 16 | 45400509 | PLATE STEP FBG .125X10.38X22 | 1 | EA |
| 17 | 098137406 | PLATE STEP FBG .125X10X16 | 3 | EA |
| 18 | 44004104 | SEAL RUBBER FORWARD DOOR X89.25 | 2 | EA |
| 19 | 47008547 | LUVER ROUND 3.12 | 2 | EA |
| 20 | 47008546 | PANEL MOUNTING LUVER 3.12 | 2 | EA |
| 21 | 48000504 | FILTER FOAM .25THK X4DIA | 2 | EA |
| 22 | 47008802 | DUCT VENT CAB / CARGO | 1 | EA |
| 23 | 94010316 | REINFORCEMENT VENT | 2 | EA |
| NS | 47106593 | SEAL SIDE RUBBER | 2 | EA |

| PAGE# | PART # | DESCRIPTION | QTY. | UNIT |
|-------|-----------|---|------|------|
| 34 | 48200025 | HARNESS - REAR CAMERA TO MONITOR 40FT | 1 | EA |
| 35 | 006385205 | HARNESS - HOOD FBG M2 FCC 93W | 1 | EA |
| 36 | 007381203 | HARNESS - MID BODY MARKER | 1 | EA |
| 37 | 007388300 | HARNESS - JUMPER Y 1WR P&P X6 BACK UP ALARM | 2 | EA |
| 38-39 | 147391200 | HARNESS - ROOF NOSE | 1 | EA |
| 40 | 46010845 | HARNESS - BACKUP ALARM | 1 | EA |
| 41 | 46025591 | HARNESS - SPEAKER WIRING | 1 | EA |
| 42 | 090093202 | HARNESS - JUMPER CRG DOME LAMP | 1 | EA |
| 43 | 142086200 | HARNESS - REAR WRG LH BACK PANEL D/FLR | 1 | EA |
| 44 | 142086201 | HARNESS - REAR WRG RH BACK PANEL D/FLR | 1 | EA |
| 45-46 | 093093203 | HARNESS - ROOF 21/24FT6IN M100 | 1 | EA |
| 47 | 093093205 | HARNESS - TRANSOM CHMSL READY | 1 | EA |
| 48-51 | 098084203 | HARNESS - INSTRUMENT PANEL | 1 | EA |
| 52 | 100081201 | HARNESS - A S/T/T/ W/LOOM LED | 1 | EA |
| 53 | 100081202 | HARNESS - ALARM B/U W/LOOM INCAN | 1 | EA |
| 54 | 110094201 | HARNESS - MONITOR MOD SVLCD MON | 1 | EA |
| 55-56 | 148084200 | HARNESS - COM CENTER FCC 2011 | 1 | EA |
| 57 | 098084202 | HARNESS - FUSE CENTER | 1 | EA |
| NS | 47004506 | HARNESS - PIGTAIL PUMP WINDSHIELD WASHER | 1 | EA |



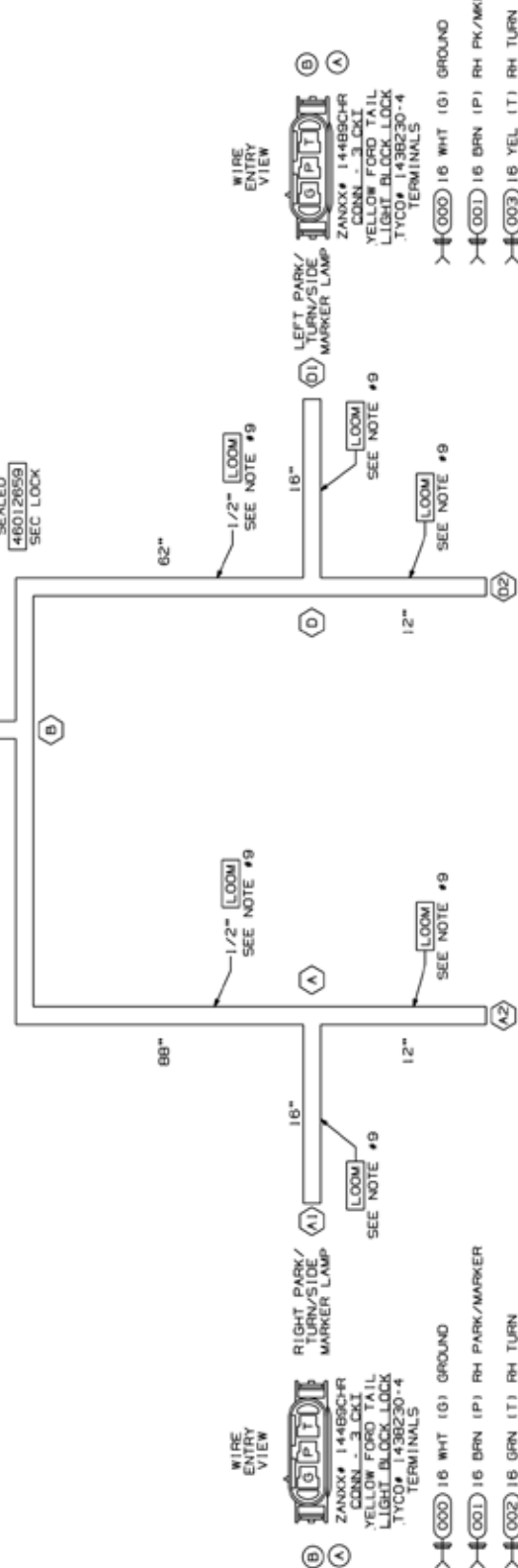
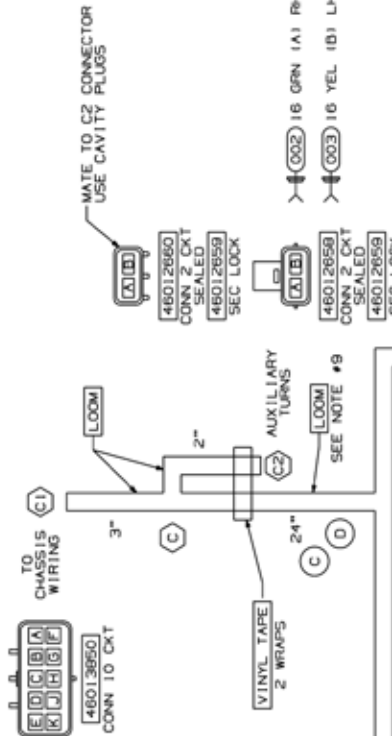
006385205 HARNESS HOOD

006385205 HARNESS HOOD

| | | | |
|-------------|--------------------------|------|----------|
| DRAWING NO. | REV | DATE | BY |
| 006385205 | D | | J.O.F.L. |
| DESCRIPTION | | | |
| A | RELEASE TO PRODUCTION | | |
| B | MATERIAL GRAPHIC UPDATED | | |
| C | 18" WAS 9" AT 18" | | |
| D | 24" WAS 18" | | |

| CIRCUIT | DESCRIPTION | END POINTS | FUNCTION |
|---------|-------------|--------------------|--------------|
| 000 | 14/16 WHT | A1, A2, C1, D1, D2 | GROUND |
| 001 | 16 BRN | A1, C1, D1 | PARK/MARKER |
| 002 | 16 GRN | A1, C1, C2 | RH TURN |
| 003 | 16 YEL | C1, C2, D1 | LH TURN |
| 010 | 16 TAN | C1, D2 | LH LOW BEAM |
| 011 | 16 RED | C1, D2 | LH HIGH BEAM |
| 012 | 16 PNK | A2, C1 | RH LOW BEAM |
| 013 | 16 GRN | A2, C1 | RH HIGH BEAM |

- ← (011) 16 RED (A) LH HIGH BEAM
- ← (010) 16 TAN (B) LH LOW BEAM
- ← (013) 16 GRN (C) RH HIGH BEAM
- ← (012) 16 PNK (D) RH LOW BEAM
- ← (001) 16 BRN (E) PARK/MARKER LPS
- ← (003) 16 YEL (F) LH TURN
- ← (002) 16 GRN (G) RH TURN
- ← (000) 14 WHT (H) GROUND
- PLUG PLUG (J) 46013073
- PLUG PLUG (K) 46013073



9. SPLIT POLYPROPYLENE LOOM, BACK WITH GREEN STRIPE OR NYLON, BLACK WITH GRAY STRIPE. ADVISE TO USE THE SMALLEST PRACTICAL SIZE UNLESS OTHERWISE SPECIFIED ON THE DRAWING.
10. VENDOR MAY REPLACE THE APPROVED MOLDINGS OR CONNECTORS. PICTAILS SHOWN IN TERMINAL VIEW.
11. HARNESS TO BE TESTED FOR CONTINUITY, SHORTS, AND CONTINUITY.
12. CONNECTORS SHOWN FROM WIRE ENTRY SIDE, UNLESS OTHERWISE NOTED.
13. SPLICES TO BE AUTOMATED WITH HEAT SHRINK TUBING. HEAT SHRINK BUTT SPLICES ARE ACCEPTABLE FOR M-O FABRICATION IF NECESSARY.
14. TAPE (111098): 6" AT BREAKOUTS AND 2" AT LOOM ENDS.
15. HARNESS TO HAVE A LABEL SHOWING MORGAN OLSON PART NUMBER, REVISION MANUFACTURE.
16. SPLIT POLY LOOM UNLESS OTHERWISE NOTED.
17. 1. GAL WIRE.

PROPRIETARY
 THIS HARNESS IS THE PROPERTY OF MORGAN OLSON. IT IS TO BE USED ONLY FOR THE PURPOSES INTENDED. IT IS NOT TO BE REPRODUCED OR TRANSMITTED IN ANY FORM OR BY ANY MEANS, ELECTRONIC OR MECHANICAL, INCLUDING PHOTOCOPYING, RECORDING, OR BY ANY INFORMATION STORAGE AND RETRIEVAL SYSTEM. WITHOUT THE WRITTEN PERMISSION OF MORGAN OLSON, ALL RIGHTS ARE RESERVED.

| | |
|---------------------|--------------|
| MORGAN OLSON | |
| DATE | 23MAY06 |
| TIME | 05-0857 |
| SCALE | DO NOT SCALE |
| REVISION | RSK |
| HARN HOOD F/G | MZ FCC 2006 |
| SCALE | NONE |
| REV | D |

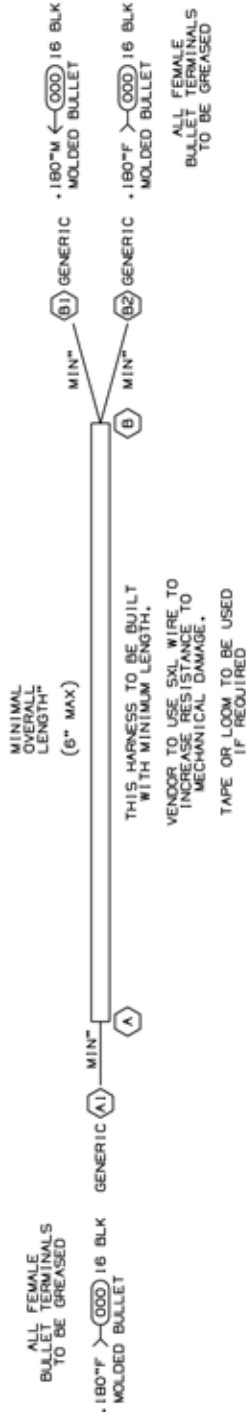
| | |
|--|-----------------------|
| HARN AND LOOM TOLERANCES | UP TO 60" : -0/+2" |
| | 60" TO 100" : -0/+4" |
| | 100" TO 200" : -0/+5" |
| | 200" TO 400" : -0/+6" |
| | 400" TO 600" : -0/+7" |
| | OVER 600" : -0/+8" |
| | BO TO BO : -0/+2" |
| TOLERANCE IS NOT APPLICABLE TO OVERALL HARNESS LENGTH, BREAKOUT TO END, OR LOOM. | |

007388300 JUMPER 6" "Y"

007388300 JUMPER 6" "Y"

| | | | |
|-------------|-----------------------|------|--------|
| DRAWING NO. | | REV | SHT |
| 007388300 | | | _LOF_L |
| REV. | DESCRIPTION | DATE | |
| | RELEASE TO PRODUCTION | | |
| | | | |
| | | | |
| | | | |
| | | | |
| | | | |

| | | | |
|---------|-------------|------------|----------|
| CIRCUIT | DESCRIPTION | END POINTS | FUNCTION |
| 000 | 16 BLK | A1,B1,B2 | GENERIC |



8. VENDOR MAY REPLACE PIGTAILS WITH WIRING TO APPROVED MOLDINGS OR CONNECTORS. PIGTAILS SHOWN IN TERMINAL VIEW.
7. HARNESS TO BE TESTED FOR CONTENT, OPENS, SHORTS, AND CONTINUITY.
6. CONNECTORS SHOWN FROM THE INSIDE UNLESS OTHERWISE NOTED.
5. SPLICES TO BE AUTOMATED WITH HEAT-SHRINK TUBING. HEAT-SHRINK BUTT SPLICES ARE ACCEPTABLE FOR FIELD FABRICATION IF NECESSARY.
4. TAPE [1111098] 8" AT BREAKOUTS AND 2" AT LOOM ENDS.
3. HARNESS TO HAVE A LABEL SHOWING MORGAN OLSON PART NUMBER, REVISION LEVEL, AND DATE OF MANUFACTURE.
2. SPLIT POLY LOOM UNLESS OTHERWISE NOTED.
1. SXL WIRE.

NOTES:

PROPRIETARY
 THIS DRAWING AND THE INFORMATION AND DATA CONTAINED HEREIN ARE THE PROPERTY OF MORGAN OLSON SERVICE PARTS. NO PART OF THIS DRAWING OR THE INFORMATION OR DATA CONTAINED HEREIN IS TO BE REPRODUCED OR TRANSMITTED IN ANY FORM OR BY ANY MEANS, ELECTRONIC OR MECHANICAL, INCLUDING PHOTOCOPYING, RECORDING, OR BY ANY INFORMATION STORAGE AND RETRIEVAL SYSTEM, WITHOUT THE WRITTEN PERMISSION OF MORGAN OLSON SERVICE PARTS.

MORGAN OLSON

| | |
|---|-----------|
| MATERIAL STANDARDS UNLESS OTHERWISE SPECIFIED | |
| 1. WIRE: SXL WIRE | AS 1-200 |
| 2. POLYMER: POLYURETHANE | AS 1-200 |
| 3. TAPE: TAPE [1111098] | AS 1-200 |
| 4. TUBING: TUBING [1111098] | AS 1-200 |
| 5. THERMOPLASTIC: THERMOPLASTIC [1111098] | AS 1-200 |
| 6. THERMOPLASTIC: THERMOPLASTIC [1111098] | AS 1-200 |
| TMC | TMC |
| 09JUL07 | 09JUL07 |
| 07-0743 | 07-0743 |
| DO NOT SCALE | |
| HARNESS JUMPER 6" IN "Y" (180P TO 180P/180N) | |
| SHT | SCALE |
| _LOF_L | NONE |
| | REV |
| | 007388300 |

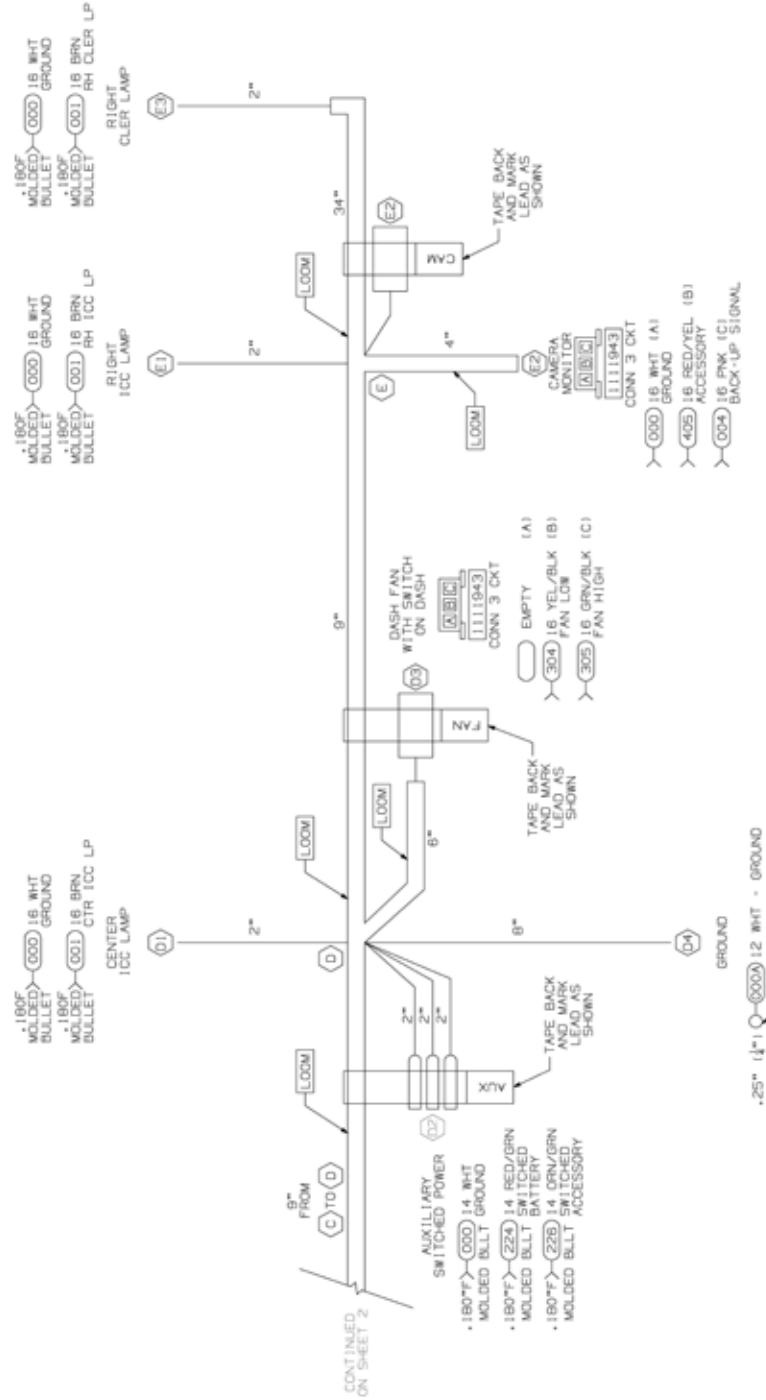
| | |
|--|----------|
| HARNESS AND LOOM TOLERANCES | |
| UP TO 60" | = -0/+2" |
| 60" TO 100" | = -0/+4" |
| 100" TO 200" | = -0/+5" |
| 200" TO 400" | = -0/+8" |
| 400" TO 600" | = -0/+7" |
| OVER 600" | = -0/+8" |
| BO TO BO | = -0/+2" |
| TOLERANCE IS NOT APPLICABLE TO OVERALL HARNESS LENGTH, BREAKOUT TO END, OR LOOM. | |

FIRST USE:
 BASIC CIRCUIT
 SPLITTER

147391200 1/2 ROOF NOSE

147391200 1/2 ROOF NOSE

| | | |
|------------------------|-----|--------|
| PRINTING NO. | REV | SHT |
| 147391200 | REL | 1 of 2 |
| DESCRIPTION | | |
| RELEASE FOR PRODUCTION | | |



- VENDOR TO GREASE FEMALE BULLET TERMINALS.
- THIS IS A PURCHASED HARNESS. NO BULL OF MATERIAL EXISTS.
- VENDOR MAY REPLACE PIGTAILS WITH WIRING TO CONFORM TO THE HARNESS CONNECTORS. PIGTAILS SHOWN IN TERMINAL VIEW.
- HARNESS TO BE TESTED FOR CONTINUITY, SHORTS, AND CONTINUITY.
- CONNECTORS SHOWN FROM WIRE ENTRY SIDE, UNLESS OTHERWISE NOTED.
- SPLICES TO BE AUTOMATED WITH SOLDER, AND ADHESIVE LINED HEAT SHRINK TUBING.
- TAPE (1111980) 6" AT BREAKOUTS. AT 18" BREAKOUTS, FOR MINIMUM TIED LOOM LENGTHS GREATER THAN 24". AND 2" AT LOOM ENDS.
- HARNESS TO HAVE A LABEL SHOWING MORGAN OLSON PART NUMBER, REVISION LEVEL, AND DATE OF MANUFACTURE.
- SPLIT POLY LOOM UNLESS OTHERWISE NOTED.
- GXL WIRE.

NOTES:
 PROPRIETARY
 THIS IS A PROPRIETARY HARNESS. ALL INFORMATION CONTAINED HEREIN IS THE PROPERTY OF MORGAN OLSON. NO PART OF THIS DOCUMENT IS TO BE REPRODUCED OR TRANSMITTED IN ANY FORM OR BY ANY MEANS, ELECTRONIC OR MECHANICAL, INCLUDING PHOTOCOPYING, RECORDING, OR BY ANY INFORMATION STORAGE AND RETRIEVAL SYSTEM.

| | |
|-----------------------------|-----------|
| MORGAN OLSON | |
| DATE | 11MAR14 |
| BY | 11MAR14 |
| DO NOT SCALE | |
| HARN. ROOF NOSE 91" HIGH | |
| REV | REL |
| 147391200 | 147391200 |
| 1 of 2 | REL |

| | |
|----------------------------|--------|
| HARNES AND LOOM TOLERANCES | |
| UP TO 80" | -0/+2" |
| 80" TO 100" | -0/+4" |
| 100" TO 200" | -0/+5" |
| 200" TO 400" | -0/+6" |
| 400" TO 600" | -0/+7" |
| OVER 600" | -0/+8" |
| 80 TO 80" | -0/+2" |

LENGTHS APPLY FROM BREAKOUT TO BREAKOUT. ENTRY SIDE OF CONNECTOR, OR END OF COVER.

BASED ON
007391210

147391200 2/2 ROOF NOSE

147391200 2/2 ROOF NOSE

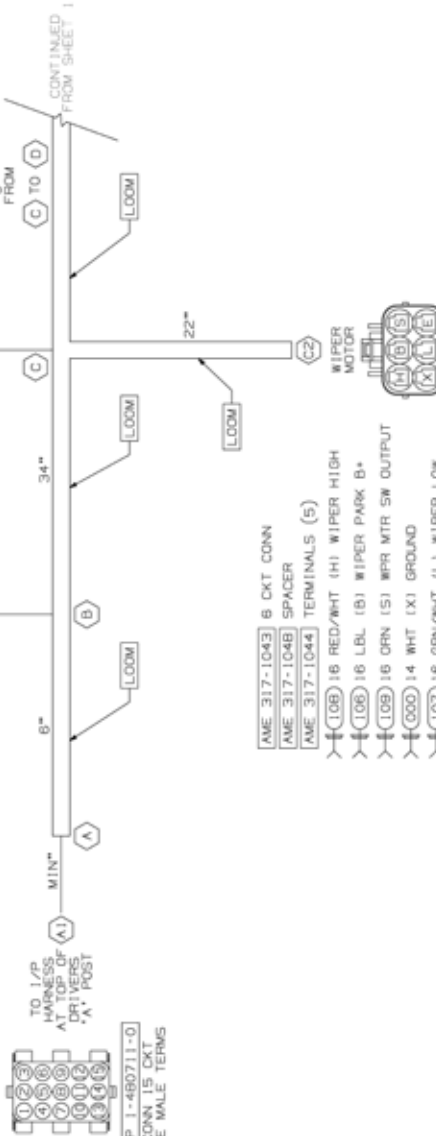
| | | | | |
|-------------|------------------------|-----|--------|-----|
| DRAWING NO. | 147391200 | REV | REL | SHT |
| | | | 2 of 2 | |
| DESCRIPTION | RELEASE FOR PRODUCTION | | | |

| CIRCUIT | GA/COLOR | END POINTS | FUNCTION |
|---------|------------|------------|------------------------|
| 109 | 16 GRN | A1,C2 | WIPER PK SWITCH OUTPUT |
| 224 | 14 RED/GRN | A1,D2 | BATTERY - SWITCHED |
| 226 | 14 ORN/GRN | A1,D2 | ACCESSORY - SWITCHED |
| 304 | 16 YEL/BLK | A1,O3 | DASH FAN LOW |
| 305 | 16 GRN/BLK | A1,O3 | DASH FAN HIGH |
| 405 | 16 RED/YEL | A1,E2 | AUXILIARY ACCESSORY |

| CIRCUIT | GA/COLOR | END POINTS | FUNCTION |
|---------|------------|----------------------------------|----------------------|
| 000A | 12 WHT | A1,D4,SPLICE 1 | GROUND |
| 000 | 14/16 WHT | B1,C1,C2,D1,D2,E1,E2,E3,SPLICE 1 | GROUND |
| 001 | 16 BRN | A1,B1,C1,D1,E1,E3 | CLEARANCE/ICC LPS |
| 004 | 16 PNK | A1,E2 | BACK-UP SIGNAL |
| 106 | 16 LBL | A1,C2 | WIPER PARK SWITCH B* |
| 107 | 16 GRN/WHT | A1,C2 | WIPER LOW |
| 108 | 16 RED/WHT | A1,C2 | WIPER HIGH |

SPLICE 1
000A, 12 WHT IS TO BE
SPLICED TO THE
000 WHT CIRCUIT,
VEHICLE TO DETERMINE
LOCATION(S)

- ← 000A 12 WHT (1) GROUND
- ← 001 16 BRN (2) CLEARANCE/ICC LAMPS
- ← 004 16 PNK (3) BACK-UP SIGNAL
- ← 106 16 LBL (4) WIPER PARK SWITCH B*
- ← 107 16 GRN/WHT (6) WIPER LOW
- ← 108 16 RED/WHT (7) WIPER HIGH
- ← 109 16 GRN (9) WIPER PARK SW OUTPUT
- ← 224 14 RED/GRN (10) BATT (5W)
- ← 226 14 ORN/GRN (12) ACCY (5W)
- ← 304 16 YEL/BLK (13) FAN LOW
- ← 305 16 GRN/BLK (14) FAN HIGH
- ← 405 16 RED/YEL (15) ACCESSORY



PROPRIETARY
This drawing and the information and data contained herein are the property of Morgan Olson Service Parts. No part of this drawing may be reproduced, stored in a retrieval system, or transmitted in any form or by any means, electronic, mechanical, photocopying, recording, or by any information storage and retrieval system, without the prior written permission of Morgan Olson.

MORGAN OLSON SERVICE PARTS

GENERAL STANDARD VALUES (UNLESS OTHERWISE SPECIFIED)
1. DIMENSIONS: 1/16" (0.0625")
2. HOLE: 1/16" (0.0625")
3. HOLE: 1/8" (0.125")
4. HOLE: 3/16" (0.1875")
5. HOLE: 1/4" (0.2500")
6. HOLE: 3/8" (0.3750")
7. HOLE: 1/2" (0.5000")
8. HOLE: 5/8" (0.6250")
9. HOLE: 3/4" (0.7500")
10. HOLE: 7/8" (0.8750")
11. HOLE: 1" (1.0000")
12. HOLE: 1 1/8" (1.1250")
13. HOLE: 1 1/4" (1.2500")
14. HOLE: 1 3/8" (1.3750")
15. HOLE: 1 1/2" (1.5000")
16. HOLE: 1 3/4" (1.6250")
17. HOLE: 1 7/8" (1.7500")
18. HOLE: 2" (2.0000")
19. HOLE: 2 1/8" (2.1250")
20. HOLE: 2 1/4" (2.2500")
21. HOLE: 2 3/8" (2.3750")
22. HOLE: 2 1/2" (2.5000")
23. HOLE: 2 3/4" (2.6250")
24. HOLE: 2 7/8" (2.7500")
25. HOLE: 3" (3.0000")
26. HOLE: 3 1/8" (3.1250")
27. HOLE: 3 1/4" (3.2500")
28. HOLE: 3 3/8" (3.3750")
29. HOLE: 3 1/2" (3.5000")
30. HOLE: 3 3/4" (3.6250")
31. HOLE: 3 7/8" (3.7500")
32. HOLE: 4" (4.0000")
33. HOLE: 4 1/8" (4.1250")
34. HOLE: 4 1/4" (4.2500")
35. HOLE: 4 3/8" (4.3750")
36. HOLE: 4 1/2" (4.5000")
37. HOLE: 4 3/4" (4.6250")
38. HOLE: 4 7/8" (4.7500")
39. HOLE: 5" (5.0000")
40. HOLE: 5 1/8" (5.1250")
41. HOLE: 5 1/4" (5.2500")
42. HOLE: 5 3/8" (5.3750")
43. HOLE: 5 1/2" (5.5000")
44. HOLE: 5 3/4" (5.6250")
45. HOLE: 5 7/8" (5.7500")
46. HOLE: 6" (6.0000")
47. HOLE: 6 1/8" (6.1250")
48. HOLE: 6 1/4" (6.2500")
49. HOLE: 6 3/8" (6.3750")
50. HOLE: 6 1/2" (6.5000")
51. HOLE: 6 3/4" (6.6250")
52. HOLE: 6 7/8" (6.7500")
53. HOLE: 7" (7.0000")
54. HOLE: 7 1/8" (7.1250")
55. HOLE: 7 1/4" (7.2500")
56. HOLE: 7 3/8" (7.3750")
57. HOLE: 7 1/2" (7.5000")
58. HOLE: 7 3/4" (7.6250")
59. HOLE: 7 7/8" (7.7500")
60. HOLE: 8" (8.0000")
61. HOLE: 8 1/8" (8.1250")
62. HOLE: 8 1/4" (8.2500")
63. HOLE: 8 3/8" (8.3750")
64. HOLE: 8 1/2" (8.5000")
65. HOLE: 8 3/4" (8.6250")
66. HOLE: 8 7/8" (8.7500")
67. HOLE: 9" (9.0000")
68. HOLE: 9 1/8" (9.1250")
69. HOLE: 9 1/4" (9.2500")
70. HOLE: 9 3/8" (9.3750")
71. HOLE: 9 1/2" (9.5000")
72. HOLE: 9 3/4" (9.6250")
73. HOLE: 9 7/8" (9.7500")
74. HOLE: 10" (10.0000")
75. HOLE: 10 1/8" (10.1250")
76. HOLE: 10 1/4" (10.2500")
77. HOLE: 10 3/8" (10.3750")
78. HOLE: 10 1/2" (10.5000")
79. HOLE: 10 3/4" (10.6250")
80. HOLE: 10 7/8" (10.7500")
81. HOLE: 11" (11.0000")
82. HOLE: 11 1/8" (11.1250")
83. HOLE: 11 1/4" (11.2500")
84. HOLE: 11 3/8" (11.3750")
85. HOLE: 11 1/2" (11.5000")
86. HOLE: 11 3/4" (11.6250")
87. HOLE: 11 7/8" (11.7500")
88. HOLE: 12" (12.0000")
89. HOLE: 12 1/8" (12.1250")
90. HOLE: 12 1/4" (12.2500")
91. HOLE: 12 3/8" (12.3750")
92. HOLE: 12 1/2" (12.5000")
93. HOLE: 12 3/4" (12.6250")
94. HOLE: 12 7/8" (12.7500")
95. HOLE: 13" (13.0000")
96. HOLE: 13 1/8" (13.1250")
97. HOLE: 13 1/4" (13.2500")
98. HOLE: 13 3/8" (13.3750")
99. HOLE: 13 1/2" (13.5000")
100. HOLE: 13 3/4" (13.6250")
101. HOLE: 13 7/8" (13.7500")
102. HOLE: 14" (14.0000")
103. HOLE: 14 1/8" (14.1250")
104. HOLE: 14 1/4" (14.2500")
105. HOLE: 14 3/8" (14.3750")
106. HOLE: 14 1/2" (14.5000")
107. HOLE: 14 3/4" (14.6250")
108. HOLE: 14 7/8" (14.7500")
109. HOLE: 15" (15.0000")
110. HOLE: 15 1/8" (15.1250")
111. HOLE: 15 1/4" (15.2500")
112. HOLE: 15 3/8" (15.3750")
113. HOLE: 15 1/2" (15.5000")
114. HOLE: 15 3/4" (15.6250")
115. HOLE: 15 7/8" (15.7500")
116. HOLE: 16" (16.0000")
117. HOLE: 16 1/8" (16.1250")
118. HOLE: 16 1/4" (16.2500")
119. HOLE: 16 3/8" (16.3750")
120. HOLE: 16 1/2" (16.5000")
121. HOLE: 16 3/4" (16.6250")
122. HOLE: 16 7/8" (16.7500")
123. HOLE: 17" (17.0000")
124. HOLE: 17 1/8" (17.1250")
125. HOLE: 17 1/4" (17.2500")
126. HOLE: 17 3/8" (17.3750")
127. HOLE: 17 1/2" (17.5000")
128. HOLE: 17 3/4" (17.6250")
129. HOLE: 17 7/8" (17.7500")
130. HOLE: 18" (18.0000")
131. HOLE: 18 1/8" (18.1250")
132. HOLE: 18 1/4" (18.2500")
133. HOLE: 18 3/8" (18.3750")
134. HOLE: 18 1/2" (18.5000")
135. HOLE: 18 3/4" (18.6250")
136. HOLE: 18 7/8" (18.7500")
137. HOLE: 19" (19.0000")
138. HOLE: 19 1/8" (19.1250")
139. HOLE: 19 1/4" (19.2500")
140. HOLE: 19 3/8" (19.3750")
141. HOLE: 19 1/2" (19.5000")
142. HOLE: 19 3/4" (19.6250")
143. HOLE: 19 7/8" (19.7500")
144. HOLE: 20" (20.0000")
145. HOLE: 20 1/8" (20.1250")
146. HOLE: 20 1/4" (20.2500")
147. HOLE: 20 3/8" (20.3750")
148. HOLE: 20 1/2" (20.5000")
149. HOLE: 20 3/4" (20.6250")
150. HOLE: 20 7/8" (20.7500")
151. HOLE: 21" (21.0000")
152. HOLE: 21 1/8" (21.1250")
153. HOLE: 21 1/4" (21.2500")
154. HOLE: 21 3/8" (21.3750")
155. HOLE: 21 1/2" (21.5000")
156. HOLE: 21 3/4" (21.6250")
157. HOLE: 21 7/8" (21.7500")
158. HOLE: 22" (22.0000")
159. HOLE: 22 1/8" (22.1250")
160. HOLE: 22 1/4" (22.2500")
161. HOLE: 22 3/8" (22.3750")
162. HOLE: 22 1/2" (22.5000")
163. HOLE: 22 3/4" (22.6250")
164. HOLE: 22 7/8" (22.7500")
165. HOLE: 23" (23.0000")
166. HOLE: 23 1/8" (23.1250")
167. HOLE: 23 1/4" (23.2500")
168. HOLE: 23 3/8" (23.3750")
169. HOLE: 23 1/2" (23.5000")
170. HOLE: 23 3/4" (23.6250")
171. HOLE: 23 7/8" (23.7500")
172. HOLE: 24" (24.0000")
173. HOLE: 24 1/8" (24.1250")
174. HOLE: 24 1/4" (24.2500")
175. HOLE: 24 3/8" (24.3750")
176. HOLE: 24 1/2" (24.5000")
177. HOLE: 24 3/4" (24.6250")
178. HOLE: 24 7/8" (24.7500")
179. HOLE: 25" (25.0000")
180. HOLE: 25 1/8" (25.1250")
181. HOLE: 25 1/4" (25.2500")
182. HOLE: 25 3/8" (25.3750")
183. HOLE: 25 1/2" (25.5000")
184. HOLE: 25 3/4" (25.6250")
185. HOLE: 25 7/8" (25.7500")
186. HOLE: 26" (26.0000")
187. HOLE: 26 1/8" (26.1250")
188. HOLE: 26 1/4" (26.2500")
189. HOLE: 26 3/8" (26.3750")
190. HOLE: 26 1/2" (26.5000")
191. HOLE: 26 3/4" (26.6250")
192. HOLE: 26 7/8" (26.7500")
193. HOLE: 27" (27.0000")
194. HOLE: 27 1/8" (27.1250")
195. HOLE: 27 1/4" (27.2500")
196. HOLE: 27 3/8" (27.3750")
197. HOLE: 27 1/2" (27.5000")
198. HOLE: 27 3/4" (27.6250")
199. HOLE: 27 7/8" (27.7500")
200. HOLE: 28" (28.0000")
201. HOLE: 28 1/8" (28.1250")
202. HOLE: 28 1/4" (28.2500")
203. HOLE: 28 3/8" (28.3750")
204. HOLE: 28 1/2" (28.5000")
205. HOLE: 28 3/4" (28.6250")
206. HOLE: 28 7/8" (28.7500")
207. HOLE: 29" (29.0000")
208. HOLE: 29 1/8" (29.1250")
209. HOLE: 29 1/4" (29.2500")
210. HOLE: 29 3/8" (29.3750")
211. HOLE: 29 1/2" (29.5000")
212. HOLE: 29 3/4" (29.6250")
213. HOLE: 29 7/8" (29.7500")
214. HOLE: 30" (30.0000")
215. HOLE: 30 1/8" (30.1250")
216. HOLE: 30 1/4" (30.2500")
217. HOLE: 30 3/8" (30.3750")
218. HOLE: 30 1/2" (30.5000")
219. HOLE: 30 3/4" (30.6250")
220. HOLE: 30 7/8" (30.7500")
221. HOLE: 31" (31.0000")
222. HOLE: 31 1/8" (31.1250")
223. HOLE: 31 1/4" (31.2500")
224. HOLE: 31 3/8" (31.3750")
225. HOLE: 31 1/2" (31.5000")
226. HOLE: 31 3/4" (31.6250")
227. HOLE: 31 7/8" (31.7500")
228. HOLE: 32" (32.0000")
229. HOLE: 32 1/8" (32.1250")
230. HOLE: 32 1/4" (32.2500")
231. HOLE: 32 3/8" (32.3750")
232. HOLE: 32 1/2" (32.5000")
233. HOLE: 32 3/4" (32.6250")
234. HOLE: 32 7/8" (32.7500")
235. HOLE: 33" (33.0000")
236. HOLE: 33 1/8" (33.1250")
237. HOLE: 33 1/4" (33.2500")
238. HOLE: 33 3/8" (33.3750")
239. HOLE: 33 1/2" (33.5000")
240. HOLE: 33 3/4" (33.6250")
241. HOLE: 33 7/8" (33.7500")
242. HOLE: 34" (34.0000")
243. HOLE: 34 1/8" (34.1250")
244. HOLE: 34 1/4" (34.2500")
245. HOLE: 34 3/8" (34.3750")
246. HOLE: 34 1/2" (34.5000")
247. HOLE: 34 3/4" (34.6250")
248. HOLE: 34 7/8" (34.7500")
249. HOLE: 35" (35.0000")
250. HOLE: 35 1/8" (35.1250")
251. HOLE: 35 1/4" (35.2500")
252. HOLE: 35 3/8" (35.3750")
253. HOLE: 35 1/2" (35.5000")
254. HOLE: 35 3/4" (35.6250")
255. HOLE: 35 7/8" (35.7500")
256. HOLE: 36" (36.0000")
257. HOLE: 36 1/8" (36.1250")
258. HOLE: 36 1/4" (36.2500")
259. HOLE: 36 3/8" (36.3750")
260. HOLE: 36 1/2" (36.5000")
261. HOLE: 36 3/4" (36.6250")
262. HOLE: 36 7/8" (36.7500")
263. HOLE: 37" (37.0000")
264. HOLE: 37 1/8" (37.1250")
265. HOLE: 37 1/4" (37.2500")
266. HOLE: 37 3/8" (37.3750")
267. HOLE: 37 1/2" (37.5000")
268. HOLE: 37 3/4" (37.6250")
269. HOLE: 37 7/8" (37.7500")
270. HOLE: 38" (38.0000")
271. HOLE: 38 1/8" (38.1250")
272. HOLE: 38 1/4" (38.2500")
273. HOLE: 38 3/8" (38.3750")
274. HOLE: 38 1/2" (38.5000")
275. HOLE: 38 3/4" (38.6250")
276. HOLE: 38 7/8" (38.7500")
277. HOLE: 39" (39.0000")
278. HOLE: 39 1/8" (39.1250")
279. HOLE: 39 1/4" (39.2500")
280. HOLE: 39 3/8" (39.3750")
281. HOLE: 39 1/2" (39.5000")
282. HOLE: 39 3/4" (39.6250")
283. HOLE: 39 7/8" (39.7500")
284. HOLE: 40" (40.0000")
285. HOLE: 40 1/8" (40.1250")
286. HOLE: 40 1/4" (40.2500")
287. HOLE: 40 3/8" (40.3750")
288. HOLE: 40 1/2" (40.5000")
289. HOLE: 40 3/4" (40.6250")
290. HOLE: 40 7/8" (40.7500")
291. HOLE: 41" (41.0000")
292. HOLE: 41 1/8" (41.1250")
293. HOLE: 41 1/4" (41.2500")
294. HOLE: 41 3/8" (41.3750")
295. HOLE: 41 1/2" (41.5000")
296. HOLE: 41 3/4" (41.6250")
297. HOLE: 41 7/8" (41.7500")
298. HOLE: 42" (42.0000")
299. HOLE: 42 1/8" (42.1250")
300. HOLE: 42 1/4" (42.2500")
301. HOLE: 42 3/8" (42.3750")
302. HOLE: 42 1/2" (42.5000")
303. HOLE: 42 3/4" (42.6250")
304. HOLE: 42 7/8" (42.7500")
305. HOLE: 43" (43.0000")
306. HOLE: 43 1/8" (43.1250")
307. HOLE: 43 1/4" (43.2500")
308. HOLE: 43 3/8" (43.3750")
309. HOLE: 43 1/2" (43.5000")
310. HOLE: 43 3/4" (43.6250")
311. HOLE: 43 7/8" (43.7500")
312. HOLE: 44" (44.0000")
313. HOLE: 44 1/8" (44.1250")
314. HOLE: 44 1/4" (44.2500")
315. HOLE: 44 3/8" (44.3750")
316. HOLE: 44 1/2" (44.5000")
317. HOLE: 44 3/4" (44.6250")
318. HOLE: 44 7/8" (44.7500")
319. HOLE: 45" (45.0000")
320. HOLE: 45 1/8" (45.1250")
321. HOLE: 45 1/4" (45.2500")
322. HOLE: 45 3/8" (45.3750")
323. HOLE: 45 1/2" (45.5000")
324. HOLE: 45 3/4" (45.6250")
325. HOLE: 45 7/8" (45.7500")
326. HOLE: 46" (46.0000")
327. HOLE: 46 1/8" (46.1250")
328. HOLE: 46 1/4" (46.2500")
329. HOLE: 46 3/8" (46.3750")
330. HOLE: 46 1/2" (46.5000")
331. HOLE: 46 3/4" (46.6250")
332. HOLE: 46 7/8" (46.7500")
333. HOLE: 47" (47.0000")
334. HOLE: 47 1/8" (47.1250")
335. HOLE: 47 1/4" (47.2500")
336. HOLE: 47 3/8" (47.3750")
337. HOLE: 47 1/2" (47.5000")
338. HOLE: 47 3/4" (47.6250")
339. HOLE: 47 7/8" (47.7500")
340. HOLE: 48" (48.0000")
341. HOLE: 48 1/8" (48.1250")
342. HOLE: 48 1/4" (48.2500")
343. HOLE: 48 3/8" (48.3750")
344. HOLE: 48 1/2" (48.5000")
345. HOLE: 48 3/4" (48.6250")
346. HOLE: 48 7/8" (48.7500")
347. HOLE: 49" (49.0000")
348. HOLE: 49 1/8" (49.1250")
349. HOLE: 49 1/4" (49.2500")
350. HOLE: 49 3/8" (49.3750")
351. HOLE: 49 1/2" (49.5000")
352. HOLE: 49 3/4" (49.6250")
353. HOLE: 49 7/8" (49.7500")
354. HOLE: 50" (50.0000")
355. HOLE: 50 1/8" (50.1250")
356. HOLE: 50 1/4" (50.2500")
357. HOLE: 50 3/8" (50.3750")
358. HOLE: 50 1/2" (50.5000")
359. HOLE: 50 3/4" (50.6250")
360. HOLE: 50 7/8" (50.7500")
361. HOLE: 51" (51.0000")
362. HOLE: 51 1/8" (51.1250")
363. HOLE: 51 1/4" (51.2500")
364. HOLE: 51 3/8" (51.3750")
365. HOLE: 51 1/2" (51.5000")
366. HOLE: 51 3/4" (51.6250")
367. HOLE: 51 7/8" (51.7500")
368. HOLE: 52" (52.0000")
369. HOLE: 52 1/8" (52.1250")
370. HOLE: 52 1/4" (52.2500")
371. HOLE: 52 3/8" (52.3750")
372. HOLE: 52 1/2" (52.5000")
373. HOLE: 52 3/4" (52.6250")
374. HOLE: 52 7/8" (52.7500")
375. HOLE: 53" (53.0000")
376. HOLE: 53 1/8" (53.1250")
377. HOLE: 53 1/4" (53.2500")
378. HOLE: 53 3/8" (53.3750")
379. HOLE: 53 1/2" (53.5000")
380. HOLE: 53 3/4" (53.6250")
381. HOLE: 53 7/8" (53.7500")
382. HOLE: 54" (54.0000")
383. HOLE: 54 1/8" (54.1250")
384. HOLE: 54 1/4" (54.2500")
385. HOLE: 54 3/8" (54.3750")
386. HOLE: 54 1/2" (54.5000")
387. HOLE: 54 3/4" (54.6250")
388. HOLE: 54 7/8" (54.7500")
389. HOLE: 55" (55.0000")
390. HOLE: 55 1/8" (55.1250")
391. HOLE: 55 1/4" (55.2500")
392. HOLE: 55 3/8" (55.3750")
393. HOLE: 55 1/2" (55.5000")
394. HOLE: 55 3/4" (55.6250")
395. HOLE: 55 7/8" (55.7500")
396. HOLE: 56" (56.0000")
397. HOLE: 56 1/8" (56.1250")
398. HOLE: 56 1/4" (56.2500")
399. HOLE: 56 3/8" (56.3750")
400. HOLE: 56 1/2" (56.5000")
401. HOLE: 56 3/4" (56.6250")
402. HOLE: 56 7/8" (56.7500")
403. HOLE: 57" (57.0000")
404. HOLE: 57 1/8" (57.1250")
405. HOLE: 57 1/4" (57.2500")
406. HOLE: 57 3/8" (57.3750")
407. HOLE: 57 1/2" (57.5000")
408. HOLE: 57 3/4" (57.6250")
409. HOLE: 57 7/8" (57.

46010845 DBL MALE JMPR

46010845 DBL MALE JMPR

46010845

STRIPPING DETAIL

STRIPPING DETAIL

NOTE 1

NOTES:

- SOLDER DIP AFTER TERMINATION.

| ITEM | PART NO. | DWG. NO. | DESCRIPTION | REQ. |
|------|----------|----------|--------------------------|--------|
| 6 | 8541 | ----- | SOLDER CONCENTRATE | .00014 |
| 5 | 8538 | ----- | SOLDER | .00200 |
| 4 | 2956 | 13394A | BULLET MOLD #2102 | .00448 |
| 3 | 6006 | 05859B | TERM-#10 RING | 2 |
| 2 | 6034 | 05865B | TERM-.180 BULLET | 2 |
| 1 | 5106 | 13618B | 2 COND CABLE, 14GA, FLAT | 'B' |

46010845

95242 48 48 'A' 'B'

PART NO. 'A' 'B'

TRUCK-LITE CO., INC.
FALCONER, NEW YORK USA

HARN - DBL MALE JMPR

REVISION HISTORY

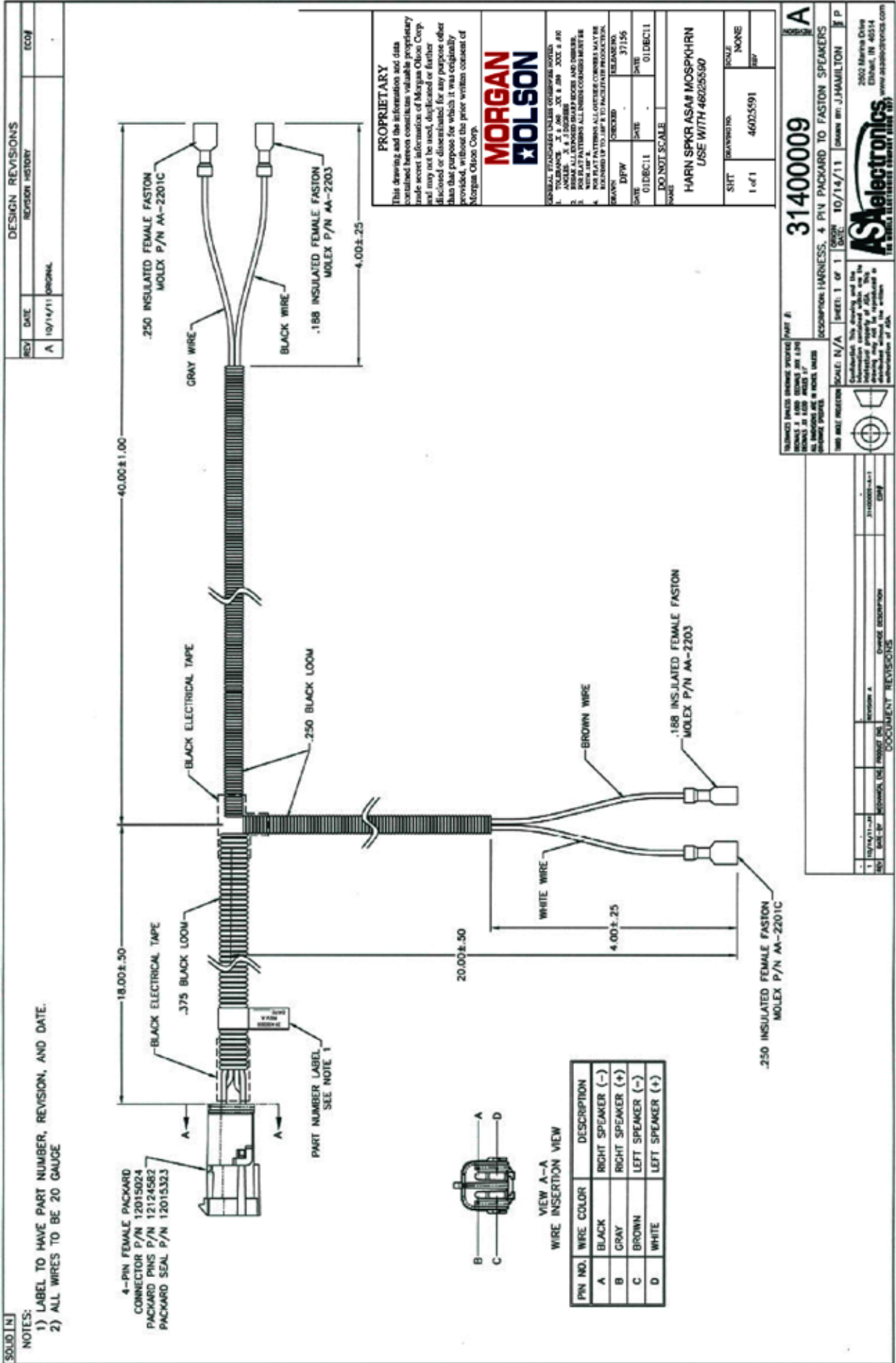
| REV | DATE | DESCRIPTION | EDN | DRN | APPD |
|-----|--------|-------------|-----|------|------|
| 0 | 3-5-99 | RELEASE | 1 | 3460 | PROZ |

46010845

99-0800

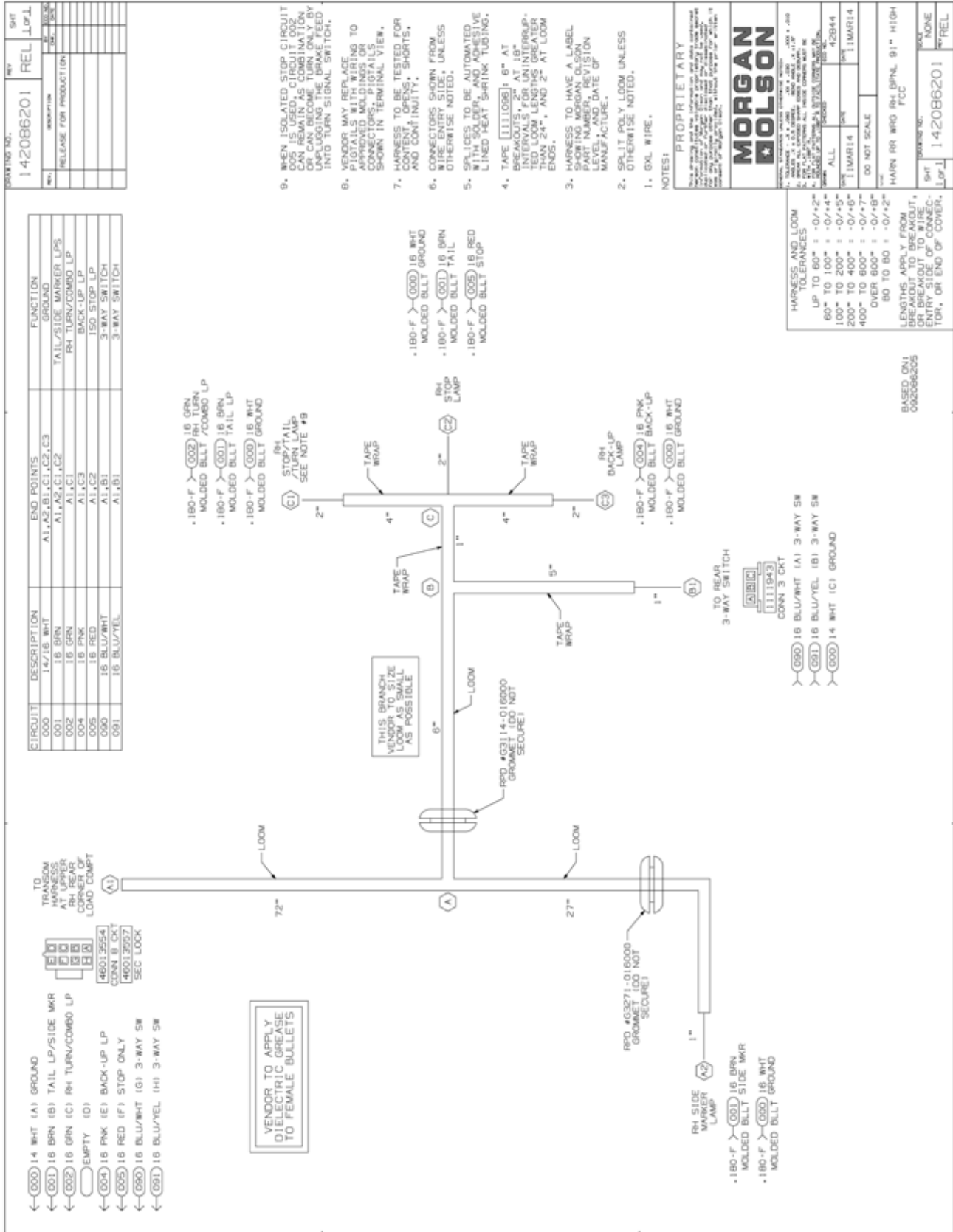
46025591 SPEAKER WIRING

46025591 SPEAKER WIRING



092086203 REAR WIRING

092086203 REAR WIRING



093093203 ROOF WIRING 1/2

093093203 ROOF WIRING 1/2

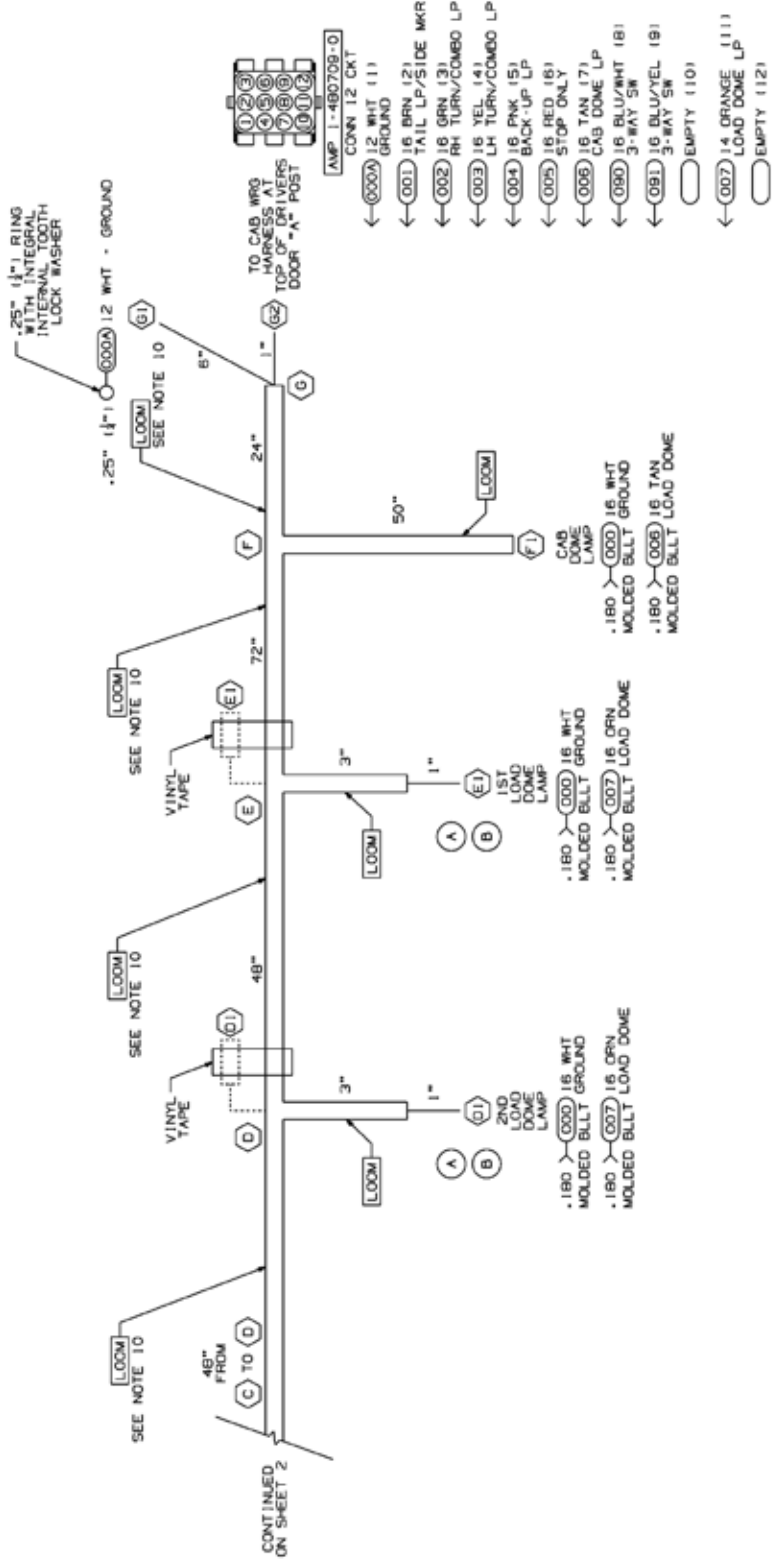
| | | |
|-----------------------|-------------------|-----------|
| QUANTITY NO. | REV | SHT |
| 093093203 | B | 1 of 2 |
| DESCRIPTION | | |
| RELEASE TO PRODUCTION | | |
| A | REV'D DM LP B/A'S | 21 APR 09 |
| B | REV'D DM LP B/A'S | 21 APR 09 |

10. MAIN TRUNK OF HARNESS MUST FIT IN A .75 DIA. WIRE CHANNEL
9. THIS IS A PURCHASED HARNESS. NO BILL OF MATERIAL EXISTS.
8. VENDOR MAY REPLACE PLUGS WITH APPROVED MOLDS OR CONNECTORS. PIGTAILS SHOWN IN TERMINAL VIEW.
7. HARNESS TO BE TESTED FOR CONTINUITY, SHORTS, AND CONTINUITY.
6. CONNECTORS SHOWN FROM WIRE ENTRY SIDE, UNLESS OTHERWISE NOTED.
5. SPLICES TO BE AUTOMATED WITH HEAT SHRINK TUBING. HEAT SHRINK BUTT SPLICES ARE ACCEPTABLE FOR M-O FABRICATION IF NECESSARY.
4. TAPE [1111088]: 6" AT BREAKOUTS AND 2" AT LOOM ENDS.
3. HARNESS TO HAVE A LABEL SHOWING MORGAN OLSON PART NUMBER, REVISION LEVEL, AND DATE OF MANUFACTURE.
2. SPLIT POLY LOOM UNLESS OTHERWISE NOTED.
1. GXL WIRE.

NOTES:
 PROPRIETARY
 THIS HARNESS IS THE PROPERTY OF MORGAN OLSON. IT IS TO BE USED ONLY FOR THE PURPOSES OF THE ORIGINAL ORDER. IT IS NOT TO BE REPRODUCED OR TRANSMITTED IN ANY FORM OR BY ANY MEANS, ELECTRONIC OR MECHANICAL, INCLUDING PHOTOCOPYING, RECORDING, OR BY ANY INFORMATION STORAGE AND RETRIEVAL SYSTEM.

MORGAN OLSON

| | |
|-------------------------------|---------------------|
| MORGAN OLSON SERVICE PARTS | |
| 1. MORGAN OLSON, U.S.A. INC. | 1000 W. 1000 S. DR. |
| 2. MORGAN OLSON SERVICE PARTS | 1000 W. 1000 S. DR. |
| 3. MORGAN OLSON SERVICE PARTS | 1000 W. 1000 S. DR. |
| 4. MORGAN OLSON SERVICE PARTS | 1000 W. 1000 S. DR. |
| 5. MORGAN OLSON SERVICE PARTS | 1000 W. 1000 S. DR. |
| DATE | 21 APR 09 |
| BY | TJM |
| REV | 21 APR 09 |
| DO NOT SCALE | |
| HARNESS ROOF 21" - 24" 6" | |
| M100 TRUCK - IBCF BLTT | |
| SHT | NONE |
| REV | B |



HARNESS AND LOOM TOLERANCES

| | |
|--------------|----------|
| UP TO 60" | : -0/+2" |
| 60" TO 100" | : -0/+4" |
| 100" TO 200" | : -0/+5" |
| 200" TO 400" | : -0/+6" |
| 400" TO 600" | : -0/+7" |
| OVER 600" | : -0/+8" |

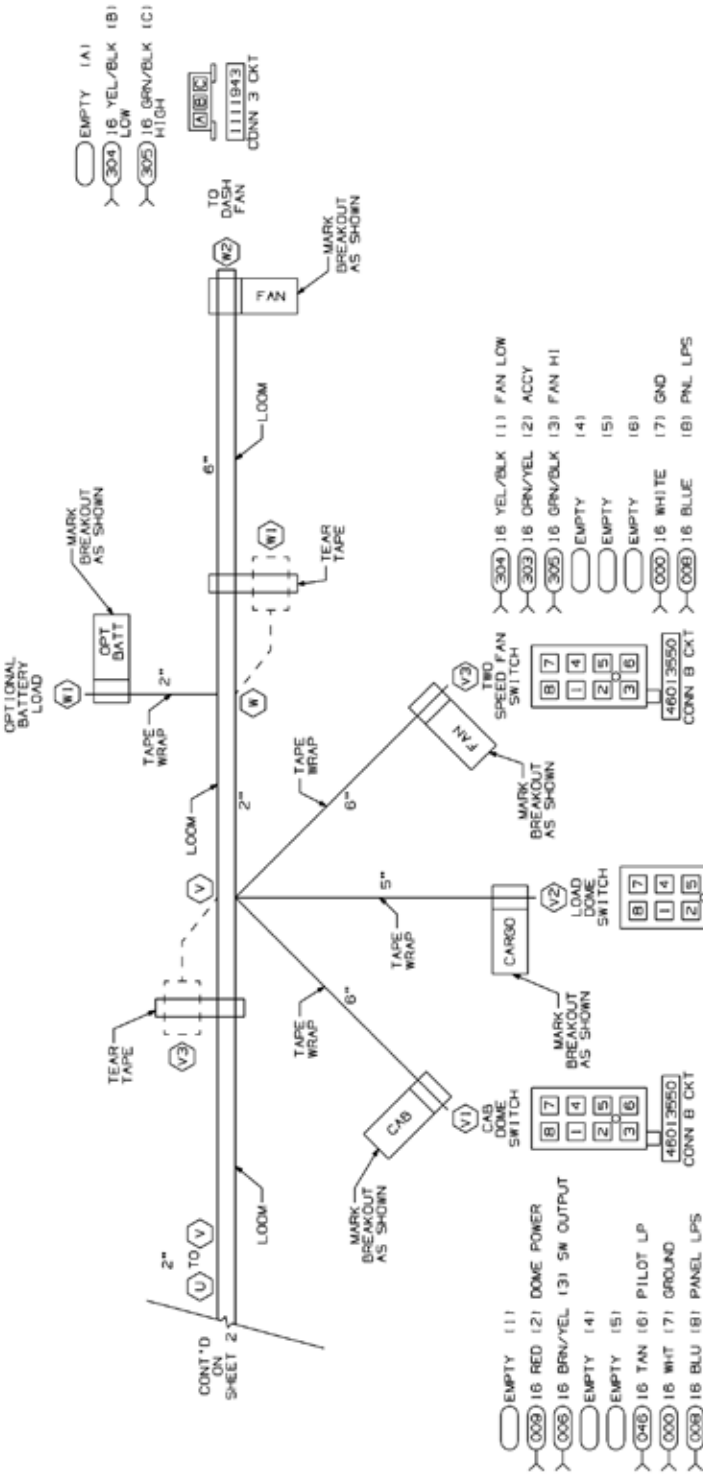
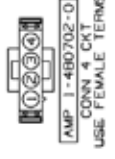
BO TO 80 : -0/+2"
 TOLERANCE IS NOT ACCUMULATIVE. LENGTH APPLIES TO OVERALL HARNESS LENGTH, BREAKOUT TO END, OR LOOM.

098084203 INSTRUMENT PANEL 1/4

| | | |
|------------------------|-----------------------------------|----------|
| DRAWING NO. | REV. | SHT |
| 098084203 | C | 1 of 4 |
| DESCRIPTION | | |
| REV. | DATE | BY |
| RELEASE FOR PRODUCTION | | |
| A | REVISED BETWEEN 0005-J AND 0005-K | DEF 2803 |
| B | REV'D B/O "H1" AND "H2" | DEF 2803 |
| C | 2" WAS 3" SHEET 2 | ALL 2803 |

VENDOR TO KEEP LOOM SIZE AS SMALL AS POSSIBLE

- > (000) 16 WHT (1) GROUND
- > (00B) 16 BLU (2) PNL LPS
- > (20A) 14 RED/BLK (3) BATT-AUX
- > (224) 14 RED/GRN (4) OPT. LD



- > (000) 16 BLU/WHT (1) 3 WAY SW
- > (117) 16 WHT/RED (2) RLY COIL
- > (022) 16 BLU/YEL (3) 3 WAY SW (OR GND)
- > () EMPTY (4)
- > () EMPTY (5)
- > (000) 16 GRN (6) LOAD DOME
- > (000) 16 WHT (7) GND
- > (00B) 16 BLU (8) PANEL LPS

HARN. AND LOOM TOLERANCES

| | |
|--------------|----------|
| UP TO 60" | : -0/+2" |
| 60" TO 100" | : -0/+4" |
| 100" TO 200" | : -0/+5" |
| 200" TO 400" | : -0/+8" |
| 400" TO 800" | : -0/+7" |
| OVER 800" | : -0/+8" |

50 TO 80 : -0/+2"

FIRST USE: 1/1/02
 LENGTHS APPLY FROM BREAKOUT TO BREAKOUT, ENTRY SIDE OF CONNECTOR, OR END OF COVER.

9. THIS IS A PURCHASED HARN. NO BILL OF MATERIAL EXISTS.
8. VENDOR MAY REPLACE PIGTAILS WITH WIRING TO APPROVED MOLDINGS OR CONNECTORS. PIGTAILS SHOWN IN TERMINAL VIEW.
7. HARN. TO BE TESTED FOR CONTENT, OPENS, SHORTS.
6. CONNECTORS SHOWN FROM REVERSE VIEW, UNLESS OTHERWISE NOTED.
5. SPLICES TO BE AUTOMATED WITH SOLDER, AND ADHESIVE LINED HEAT SHRINK TUBING.
4. TAPE (1111098): 6" AT BREAKOUTS AND 2" AT LOOM ENDS.
3. HARN. TO HAVE A LABEL SHOWING MORGAN OLSON PART NUMBER, REVISION LEVEL, AND DATE OF MANUFACTURE.
2. SPLIT POLY LOOM UNLESS OTHERWISE NOTED.
1. GXL WIRE.

NOTES:
 PROPRIETARY
 THIS DRAWING IS THE PROPERTY OF MORGAN OLSON. IT IS TO BE USED ONLY FOR THE MANUFACTURE OF THE INSTRUMENT PANEL AS SHOWN. IT IS NOT TO BE REPRODUCED OR TRANSMITTED IN ANY FORM OR BY ANY MEANS, ELECTRONIC OR MECHANICAL, INCLUDING PHOTOCOPYING, RECORDING, OR BY ANY INFORMATION STORAGE AND RETRIEVAL SYSTEM.

MORGAN OLSON

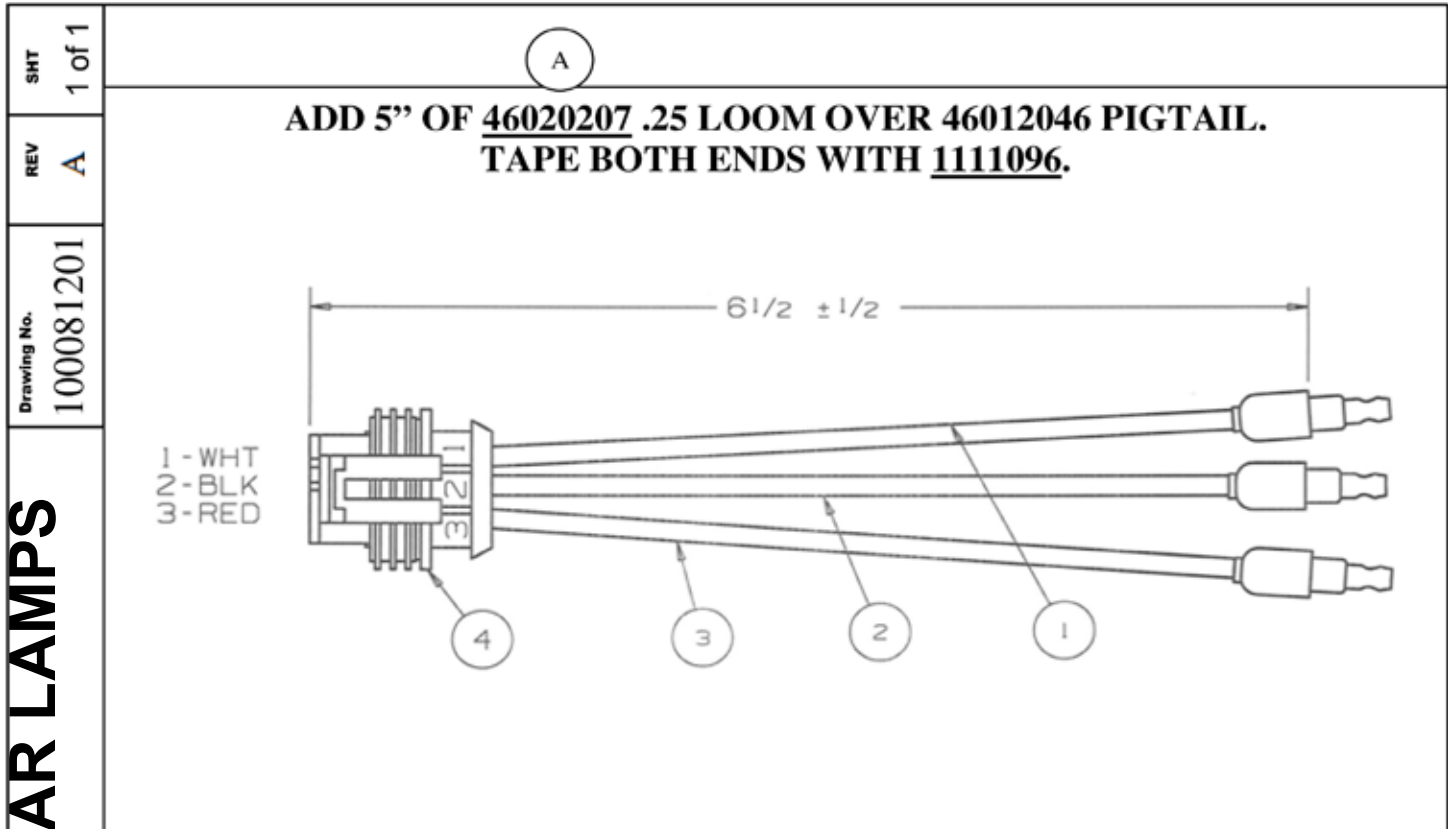
GENERAL SALES ENGINEER: VICKI L. HARRIS
 1. TEL: 800-233-4823 FAX: 800-233-4823
 2. WWW: WWW.MORGANOLSON.COM
 3. 10000 W. 100TH AVENUE, SUITE 100, DENVER, CO 80231
 4. 10000 W. 100TH AVENUE, SUITE 100, DENVER, CO 80231

| | | |
|--------------|-----|----------|
| DATE DFW | REV | 285501 |
| DATE | REV | DE0CCT09 |
| DO NOT SCALE | | |

HARN 1/P FCC 2009 M-100
 2P D/PK INT MFR RHR SW

SHT 1 of 4
 098084203
 NONE
 REV C

100081201 REAR LAMPS



100081201 REAR LAMPS

DIGITAL PHOTO DRAWING



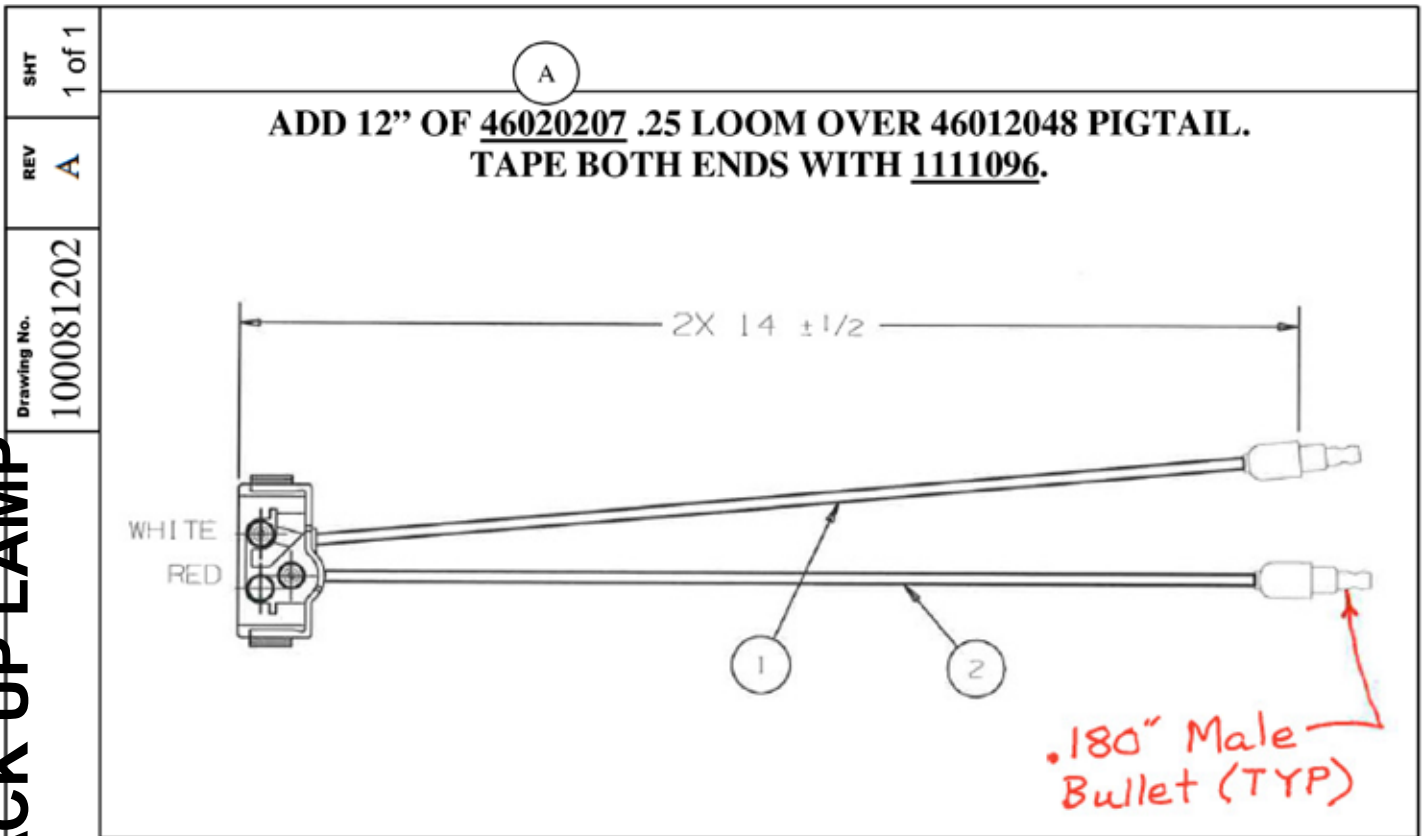
GENERAL STANDARDS UNLESS OTHERWISE NOTED:

1. TOLERANCE- .X ± .060 .XX ± .030 .XXX ± .010
- ANGLES- .X ± .5 DEGREES
2. BREAK ALL EXPOSED SHARP EDGES AND DEBURR.
3. FOR FLAT PATTERNS ALL INSIDE CORNERS MUST BE WITH .188" R.
4. FOR FLAT PATTERNS ALL OUTSIDE CORNERS MAY BE ROUNDED UP TO .188" R TO FACILITATE PRODUCTION.

| | | | | | | |
|--|----------------------------|------|---------|---|---------|-------------|
| | | | | DRAWN | CHECKED | RELEASE NO. |
| | | | | TJM | | 31075 |
| A | LOOM 46020207 WAS 46020201 | MTS | 43454 | DATE | DATE | DATE |
| | | | 6/10/14 | 12MAY10 | | 12MAY10 |
| REV | DESCRIPTION | BY | REL.NO. | DO NOT SCALE | | |
| | | CHK. | DATE | NAME | | |
| <p>PROPRIETARY</p> <p>This drawing and the information and data contained hereon constitutes valuable proprietary trade secret information of Morgan Olson Corp. and may not be used, duplicated or further disclosed or disseminated for any purpose other than that purpose for which it was originally provided, without the prior written consent of Morgan Olson Corp.</p> | | | | <p>HARN A S/T/T WITH LOOM (LOOM OVER 46012046)</p> | | |
| SHT | DRAWING NO. | | SCALE | | | |
| 1 of 1 | 100081201 | | NONE | | | |
| | | | REV | | A | |

100081202 BACK UP LAMP

100081202 BACK UP LAMP



DIGITAL PHOTO DRAWING



- GENERAL STANDARDS UNLESS OTHERWISE NOTED:
1. TOLERANCE- .X ± .060 .XX ± .030 .XXX ± .010
 - ANGLES- .X ± .5 DEGREES
 2. BREAK ALL EXPOSED SHARP EDGES AND DEBURR.
 3. FOR FLAT PATTERNS ALL INSIDE CORNERS MUST BE WITH .188" R.
 4. FOR FLAT PATTERNS ALL OUTSIDE CORNERS MAY BE ROUNDED UP TO .188" R TO FACILITATE PRODUCTION.

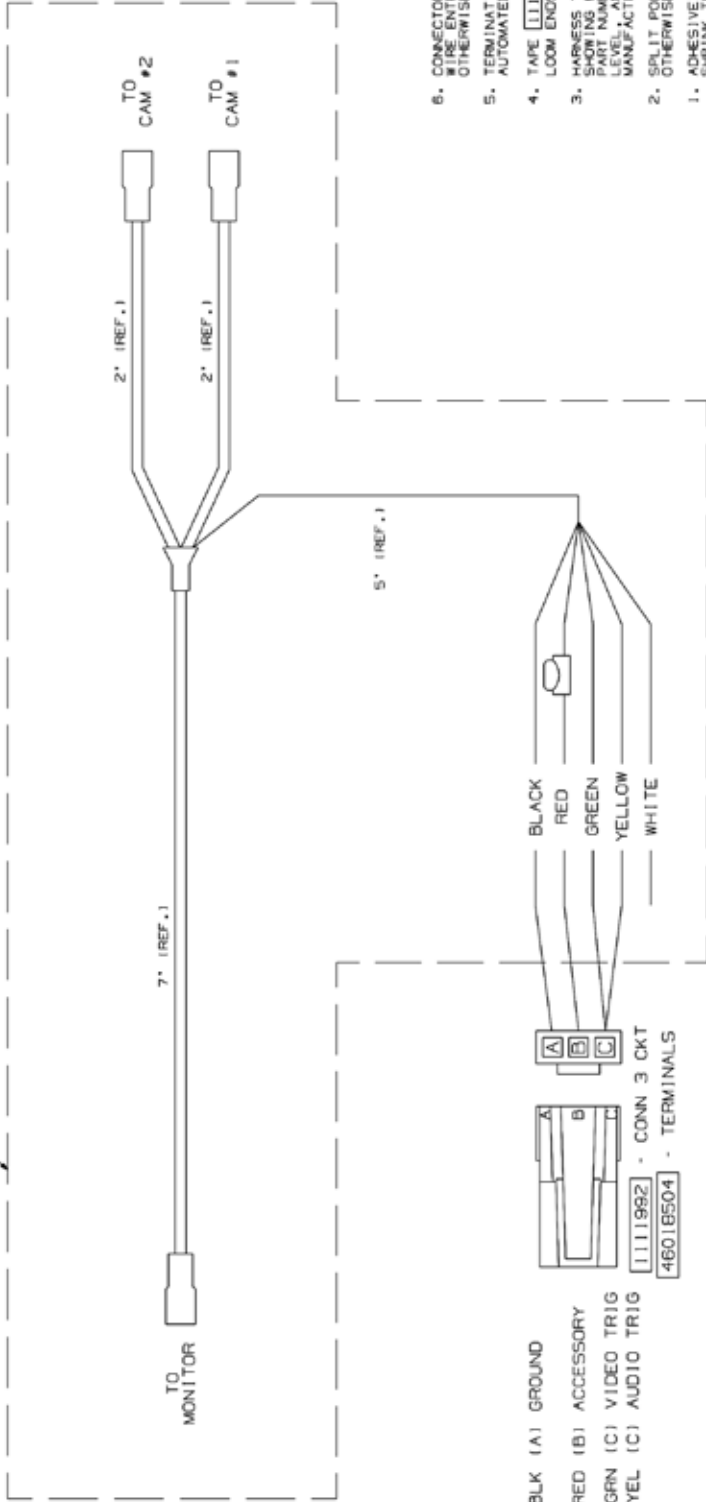
| | | | | | | | |
|---|----------------------------|------|--------|--|-----------------|-----------------|----------------------|
| | | | | | DRAWN TJM | CHECKED | RELEASE NO. 31075 |
| A | LOOM 46020207 WAS 46020201 | MTS | 43454 | DATE 12MAY10 | DATE 12MAY10 | DATE 12MAY10 | |
| REV | DESCRIPTION | BY | RELNO. | DO NOT SCALE | | | |
| | | CHK. | DATE | NAME | | | |
| PROPRIETARY | | | | HARN A B/U WITH LOOM (LOOM OVER 46012048) | | | |
| This drawing and the information and data contained hereon constitutes valuable proprietary trade secret information of Morgan Olson Corp. and may not be used, duplicated or further disclosed or disseminated for any purpose other than that purpose for which it was originally provided, without the prior written consent of Morgan Olson Corp. | | | | SHT | DRAWING NO. | SCALE | |
| | | | | 1 of 1 | 100081202 | NONE | |
| | | | | | | REV | A |

110094201 MOD SV LCD

110094201 MOD SV LCD

| | | |
|-------------|-----------------------|--------|
| DRAWING NO. | REV | SHT |
| 110094201 | | 1 OF 1 |
| REV | DESCRIPTION | DATE |
| | RELEASE TO PRODUCTION | |
| | | |
| | | |
| | | |
| | | |

SUBJECT MATTER SHOWN WITHIN DOTTED LINES COMPRISES THE INTERFACE CABLE ASSEMBLY SUPPLIED WITHIN THE #48200107 MONITOR KIT



THIS CONNECTOR WILL MATE TO THE M-100 ROOF NOSE HARNESS

1. INSULATE BLUNT CUT END OF WHITE POWER LEAD, USING #46032502 HEAT SHRINK TUBING.
2. TERMINATE THE REMAINING COLORED POWER LEADS, AND POPULATE INTO CONNECTOR BODY AS SHOWN.
3. COVER POWER LEADS WITH #46020200 LOOM, TAPE ENDS AND ELSEWHERE AS NECESSARY, TO CLOSE LOOM.
4. COVER MONITOR LEAD WITH #46020201 LOOM, TAPE ENDS AND ELSEWHERE AS NECESSARY, TO CLOSE LOOM.
5. COVER CAMERA #1 LEAD WITH #46020201 LOOM AND TAPE ENDS.
6. FOLD BACK, AND SECURE CAMERA #2 LEAD TO MONITOR LEAD, USING #46026310 TYWRAPS.

1. ADHESIVE LINED HEAT SHRINK TUBING.
2. SPLIT POLY LOOM UNLESS OTHERWISE NOTED.
3. HARNESS TO HAVE A LABEL WITH MORGAN OLSON PART NUMBER, REVISION LEVEL, AND DATE OF MANUFACTURE.
4. TAPE [1111096]: 2" AT LOOM ENDS.
5. TERMINATIONS TO BE AUTOMATED.
6. CONNECTORS SHOWN FROM WIRE ENTRY SIDE, UNLESS OTHERWISE NOTED.

NOTES:

PROPRIETARY
This drawing and the information and data contained hereon are the property of Morgan Olson and are to be used only for the specific application for which they were prepared. No part of this drawing is to be reproduced or transmitted in any form or by any means, electronic, mechanical, photocopying, recording, or by any information storage and retrieval system, without the prior written permission of Morgan Olson.



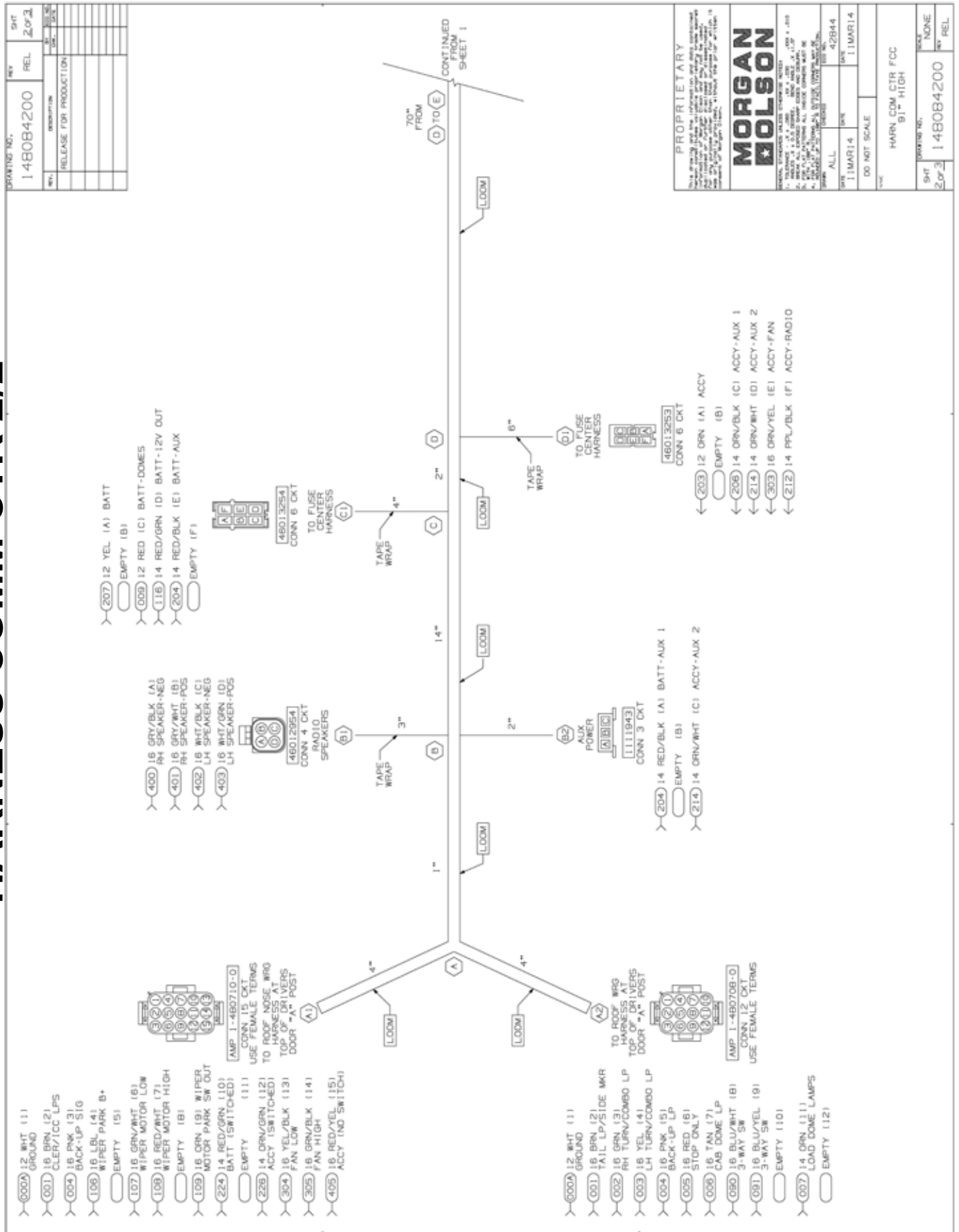
| | |
|---|------------|
| SPECIAL REQUIREMENTS/REVISIONS | |
| 1. MATERIALS: U.S.A. ONLY | REV. # 419 |
| 2. WORKING DRAWING: WORKING DRAWING AND SHOWN | |
| 3. ALL DIMENSIONS ARE IN INCHES UNLESS NOTED | |
| 4. FINISH: POLYESTER W/3% W/3% W/3% W/3% | |
| 5. ORDER CODE: 110094201 | |
| 6. ORDER CODE: 110094201 | |
| 7. ORDER CODE: 110094201 | |
| 8. ORDER CODE: 110094201 | |
| 9. ORDER CODE: 110094201 | |
| 10. ORDER CODE: 110094201 | |
| DO NOT SCALE | M-100 |
| HARN MOD SV LCD MON W/INTGR. CTLS 2011 | |
| SHT | REV |
| 1 OF 1 | 110094201 |
| | NONE |
| | REV |

| | |
|--|---------|
| HARNESS AND LOOM TOLERANCES | |
| UP TO 60" | ± 0/-2" |
| 60" TO 100" | ± 0/-4" |
| 100" TO 200" | ± 0/-5" |
| 200" TO 400" | ± 0/-6" |
| 400" TO 600" | ± 0/-7" |
| OVER 600" | ± 0/-8" |
| BO TO BO | ± 0/-2" |
| TOLERANCE IS NOT ACCUMULATIVE. LENGTH APPLIES TO OVERALL HARNESS LENGTH, BREAKOUT TO END, OR LOOM. | |

FIRST USE: CALIFORNIA BASED ON 097084-203

HARNES COMM CTR 2/2

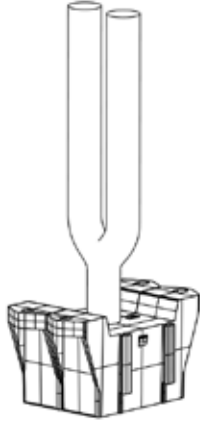
HARNES COMM CTR 2/2



098084202 FUSE CENTER

098084202 FUSE CENTER

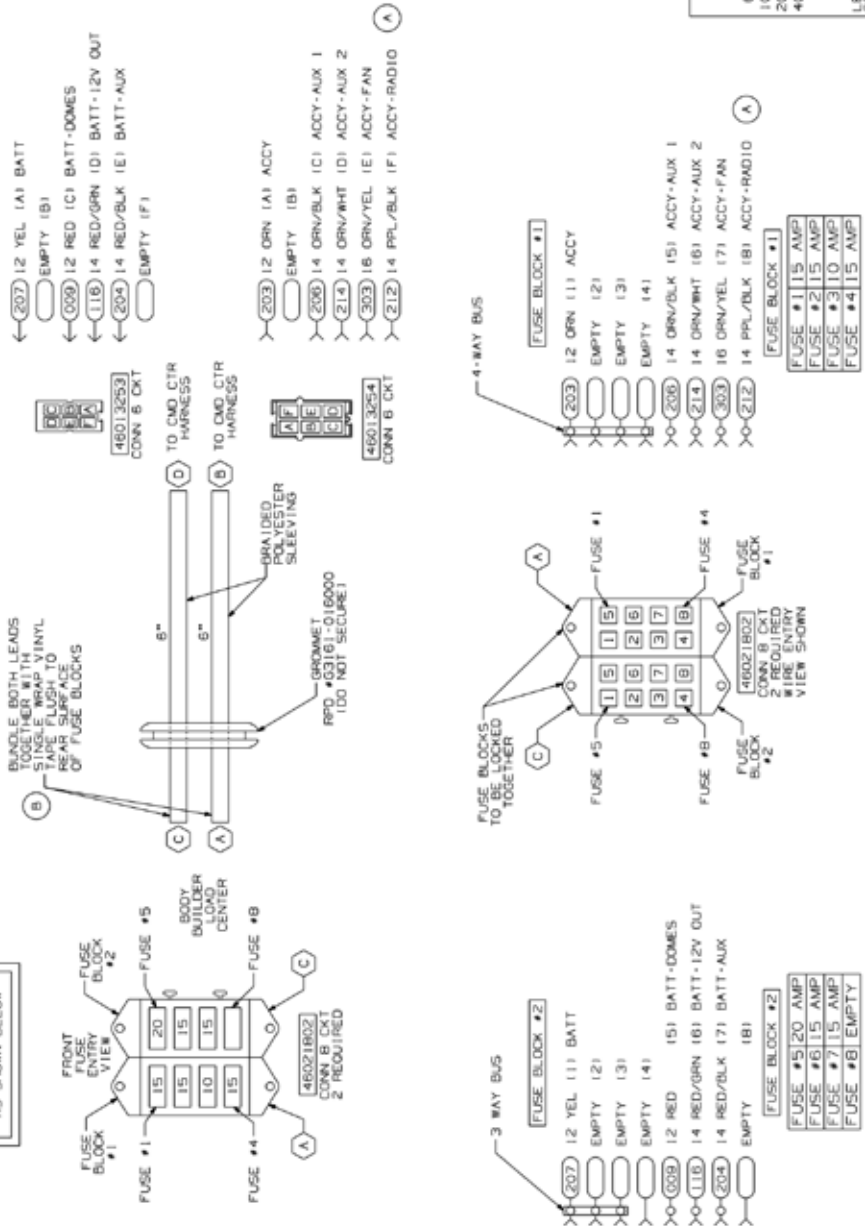
| | | |
|-------------|---------------------------------|------------|
| WORKING NO. | REV | SHT |
| 098084202 | B | 1 OF 1 |
| REV | DESCRIPTION | DATE |
| A | RELEASE FOR PRODUCTION | 08/21/2009 |
| B | CHG 212 14 GRN/BLK BATT-12V OUT | 08/21/2009 |
| | WAS 14 GRN/BLK BATT-12V OUT | |
| | WAS 14 GRN/BLK BATT-12V OUT | |
| | WAS 14 GRN/BLK BATT-12V OUT | |



LAY OF WIRE TO BE SUCH THAT WIRING EXTENDS STRAIGHT OUT FROM BEHIND CENTER OF FUSE BLOCK ASSEMBLY, AS SHOWN

| CIRCUIT | DESCRIPTION | END POINTS | FUNCTION |
|---------|-------------|------------|--------------|
| 009 | 12 RED | C, D | BATT-DOMES |
| 116 | 14 RED/GRN | C, D | BATT-12V OUT |
| 203 | 12 GRN | A, B | ACCY |
| 204 | 14 RED/BLK | C, D | BATT-AUX |
| 206 | 14 GRN/BLK | A, B | ACCY-AUX 1 |
| 207 | 12 YEL | C, D | BATT |
| 212 | 14 PPL/BLK | A, B | ACCY-RADIO |
| 214 | 14 GRN/WHI | A, B | ACCY-AUX 2 |
| 303 | 16 GRN/YEL | A, B | ACCY-FAN |

NOTE: FUSES AND FUSEBLOCKS MUST BE ORIENTED AS SHOWN BELOW



- THIS IS A PURCHASED PART. NO BILL OF MATERIALS EXISTS.
- BRAIDED POLYESTER SLEEVING TO BE CLOSED AT BOTH ENDS. SLEEVING TO BE ADHESIVE LINED HEAT SHRINK TUBING, AND TAPED [111098] 8" AT BREAKOUTS.
- VENDOR MAY REPLACE PILOTAILS WITH WIRING TO BE USED FOR CONNECTORS. PILOTAILS SHOWN IN TERMINAL VIEW.
- HARNESSES TO BE TESTED FOR CONTINUITY, SHORTS, AND CORRECTNESS.
- CONNECTORS SHOWN FROM THE REVERSE SIDE, UNLESS OTHERWISE NOTED.
- SPLICES TO BE AUTOMATED WITH SOLDER, AND ADHESIVE LINED HEAT SHRINK TUBING.
- TAPE [111098] 8" AT BREAKOUTS AND 2" AT LOOM ENDS.
- HARNESSES TO HAVE A LABEL WITH THE PART NUMBER, PART NUMBER REVISION LEVEL, AND DATE OF MANUFACTURE.
- SPLIT POLY LOOM UNLESS OTHERWISE NOTED.
- OXL WIRE.

NOTES:
 PROPRIETARY
 THIS DRAWING IS THE PROPERTY OF MORGAN OLSON SERVICE PARTS. IT IS TO BE USED FOR THE MANUFACTURE OF THE PARTS IDENTIFIED HEREIN. IT IS NOT TO BE REPRODUCED, COPIED, OR TRANSMITTED IN ANY FORM OR BY ANY MEANS, ELECTRONIC OR MECHANICAL, INCLUDING PHOTOCOPYING, RECORDING, OR BY ANY INFORMATION STORAGE AND RETRIEVAL SYSTEM. WITHOUT THE WRITTEN PERMISSION OF MORGAN OLSON SERVICE PARTS.

MORGAN OLSON

| | | | |
|---------------------------------|-------------|------|---------|
| DATE | T.M. | REV | BY |
| 08SEP09 | | 01 | 08SEP09 |
| DO NOT SCALE | RSK | 2009 | |
| HARN FUSE CTR FCC 2009 M-100 | | | |
| SHT | WORKING NO. | REV | |
| 1 OF 1 | 098084202 | NONE | B |

HARNESSES AND LOOM TOLERANCES

| | |
|--------------|-------|
| UP TO 60" | -0/+2 |
| 60" TO 100" | -0/+4 |
| 100" TO 200" | -0/+5 |
| 200" TO 400" | -0/+6 |
| 400" TO 600" | -0/+7 |
| OVER 600" | -0/+8 |
| BO TO BO | -0/+2 |

LENGTHS APPLY FROM BREAKOUT TO BREAKOUT OR BREAKOUT TO WIRE ENTRY SIDE OF CONNECTOR, OR END OF COVER.