



# W.B. MASON

FOR OFFICE SUPPLIES, FURNITURE & PRINTING

2015 Parts Catalog



2015 Morgan Olson Body  
2015 Freightliner Chassis MT55

RSK24'93W91HX250  
JV001130



1.800.233.4823

WWW.MORGANOLSON.COM

THIS PARTS CATALOG APPLIES TO THE FOLLOWING DELIVERY VEHICLES

	354328
4UZAARDUXGCHH7629	648476
4UZAARDU6GCHJ9571	650232
4UZAARDU8GCHJ9572	650239
4UZAARDU3GCHJ9575	650242
4UZAARDU7GCHJ9577	650255
4UZAARDU9GCHJ9578	650256
4UZAARDU7GCHJ9580	650315
4UZAARDU4GCHL2271	652512
4UZAARDU6GCHL2272	652513
4UZAARDU8GCHL2273	652534
4UZAARDUXGCHL2274	652535
4UZAARDU1GCHL2275	652536
4UZAARDU3GCHL2276	652537
4UZAARDU5GCHL2277	652538
	652539
4UZAARDU9GCHL2279	652542
4UZAARDU5GCHL2280	652543
4UZAARDU7GCHL2281	652544
	652553
4UZAARDU8GCHL2287	652554
	652558
	652559
4UZAARDUXGCHL2291	652560
	652561
4UZAARDU3GCHL2293	652562
4UZAARDU5GCHL2294	652563
4UZAARDU7GCHL2295	652564
4UZAARDU9GCHL2296	652565
4UZAARDU0GCHL2297	652566
4UZAARDU2GCHL2298	652567
	652568
	652569
4UZAARDU9GCHL2301	652570
4UZAARDU0GCHL2302	652571
4UZAARDU2GCHL2303	652572
4UZAARDU4GCHL2304	652573
4UZAARDU6GCHL2305	652574
4UZAARDU8GCHL2306	652575
4UZAARDUXGCHL2307	652576
4UZAARDU1GCHL2308	652588
4UZAARDU3GCHL2312	652612
	653991
	653992
	653993
	653994
	653995
4UZAARDU3GCHM6615	653996
4UZAARDU5GCHM6616	653997
4UZAARDU7GCHM6617	653998

4UZAARDU9GCHM6618	653999
4UZAARDU0GCHM6619	654000
4UZAARDUXGCHM6613	654001
	654002
	654003
	654007
	654011
	654012
	654013
	654014
	654015
	654016
	654017
	654018
	654019
	654020
	654021
	654022
	654023
	654024
	654025
	654026
	654027
	654028
	654029
	654038
	654151
	654152
	654154
	654155
	654156
	654157
	654158
	654159
	654210
	654211
	654212
	654213
	654214
	654220
	654221
	654222
	654223
	654329
	654330
	654331
	654332
	654333
	654334

	654335
	654336
	654337
	654338
	654339
	654340
	654341
	654342
	654343
	654344
	654353
	655548
	656060
	656061
	656062
	656063
	656064
	656065
	656066
	656074
	656075
	656076
	656077
	656078
	656079
	656080
	656081
	656082
	656083
	656084
	656085
	656086
	656087
	656088
	656089
	656090
	656091
	656092
	656093
	656094
	656095
	656096
	656097
	656098
	656099
	656172
	656173
	656174
	656175

UNIT & VIN NUMBERS	2
TABLE OF CONTENTS	3
INTRODUCTION	4
CAB	5
WINDSHIELD	6
INSTRUMENT PANEL	7
HOOD	8-9
STEPS	10
SEATS	11
FLOOR	12
STIFFENERS	13
SIDES	14-15
ROOF	16
BACK	17
BULKHEAD	18
SIDE DOORS	19
SIDE DOOR POCKETS	20-21
REAR DOOR (ROLL UP DOOR)	22-25
SHELVES	26
BUMPERS	27
MIRRORS & WINDSHIELD WIPER ASSEMBLY	28
HEATER	29-30
ELECTRICAL	31-32
MISCELLANEOUS	33-34
WIRING DIAGRAMS	35-58

This parts guide contains illustrations and part numbers for W.B. Mason Package Cars, RYDER Unit Numbers xxxxxx to xxxxxx, bill of material # JV001130 produced in 2015.

This book has been divided into chapters.

Each chapter has illustrations with part numbers and descriptions.

Each part is pointed out to help identify it. Orientation references are from the rear of the vehicle facing forward. LH (LEFT HAND) is roadside and RH (RIGHT HAND) is curbside.

#### Procedure to Order Parts

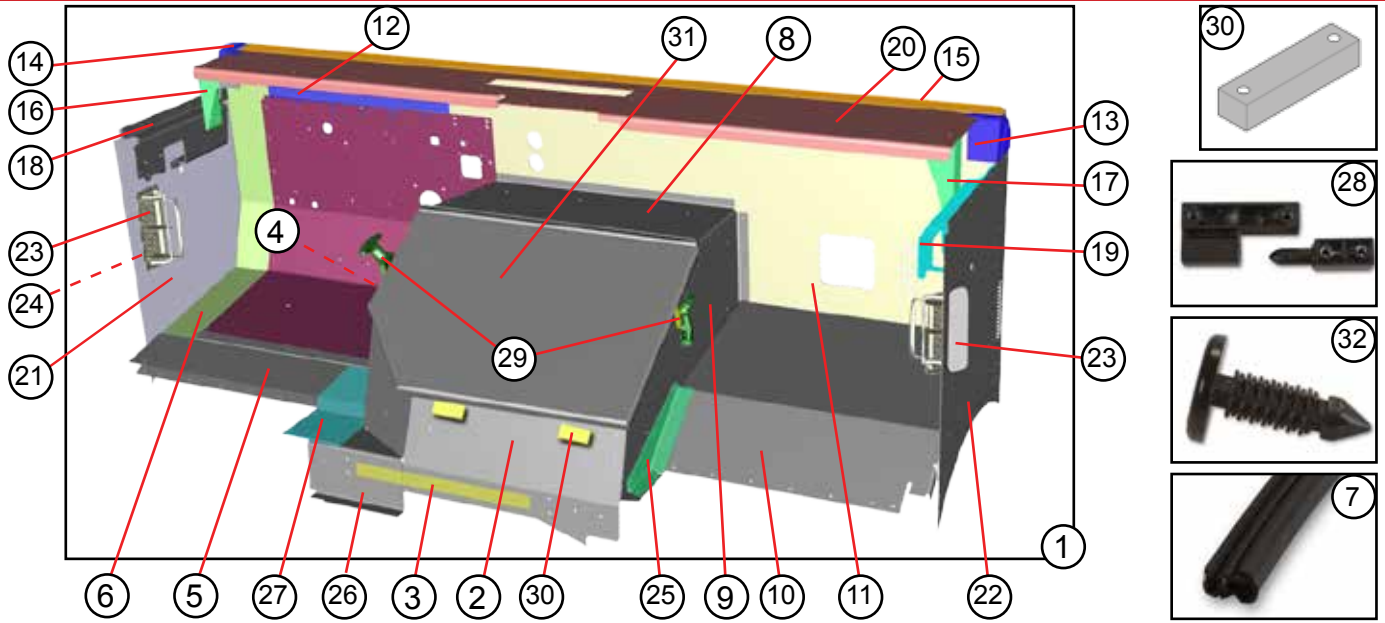
1. Depending on the part desired, turn to the appropriate section.
2. Locate the desired part on the Illustration Page(s) and note it's part number.
3. Contact a Morgan Olson Service Parts Representative. Have part numbers readily available.
4. When placing orders, please have VIN number, part numbers, serial number of roll up door.

FOR WARRANTY INFORMATION CALL 1-800-262-3437

ANY QUESTIONS OR CONCERNS SHOULD BE DIRECTED TO YOUR SERVICE  
PARTS REPRESENTATIVE AT  
1-800-233-4823

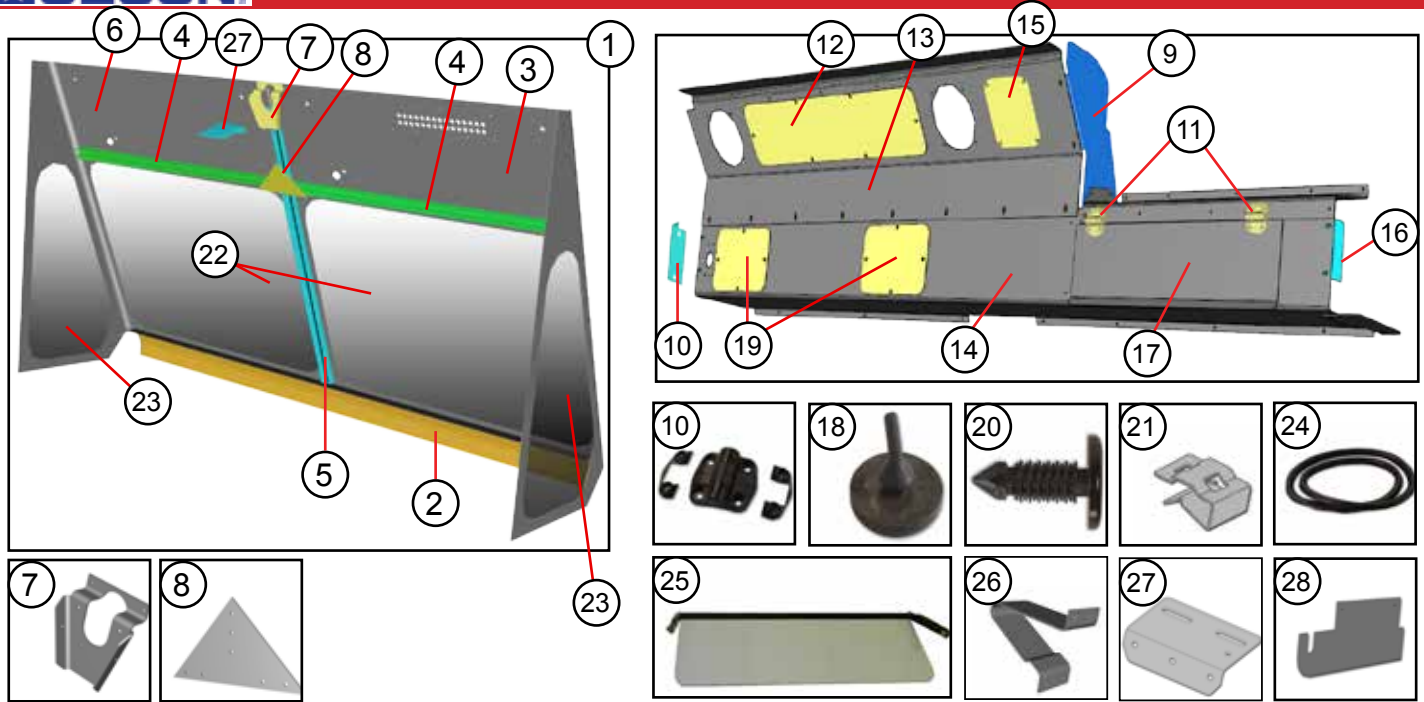
At Morgan Olson, our quest for quality and safety is ongoing and therefore the specifications on the product described herein may vary over time.

Please contact Morgan Olson for the latest product information and available safety feature options.

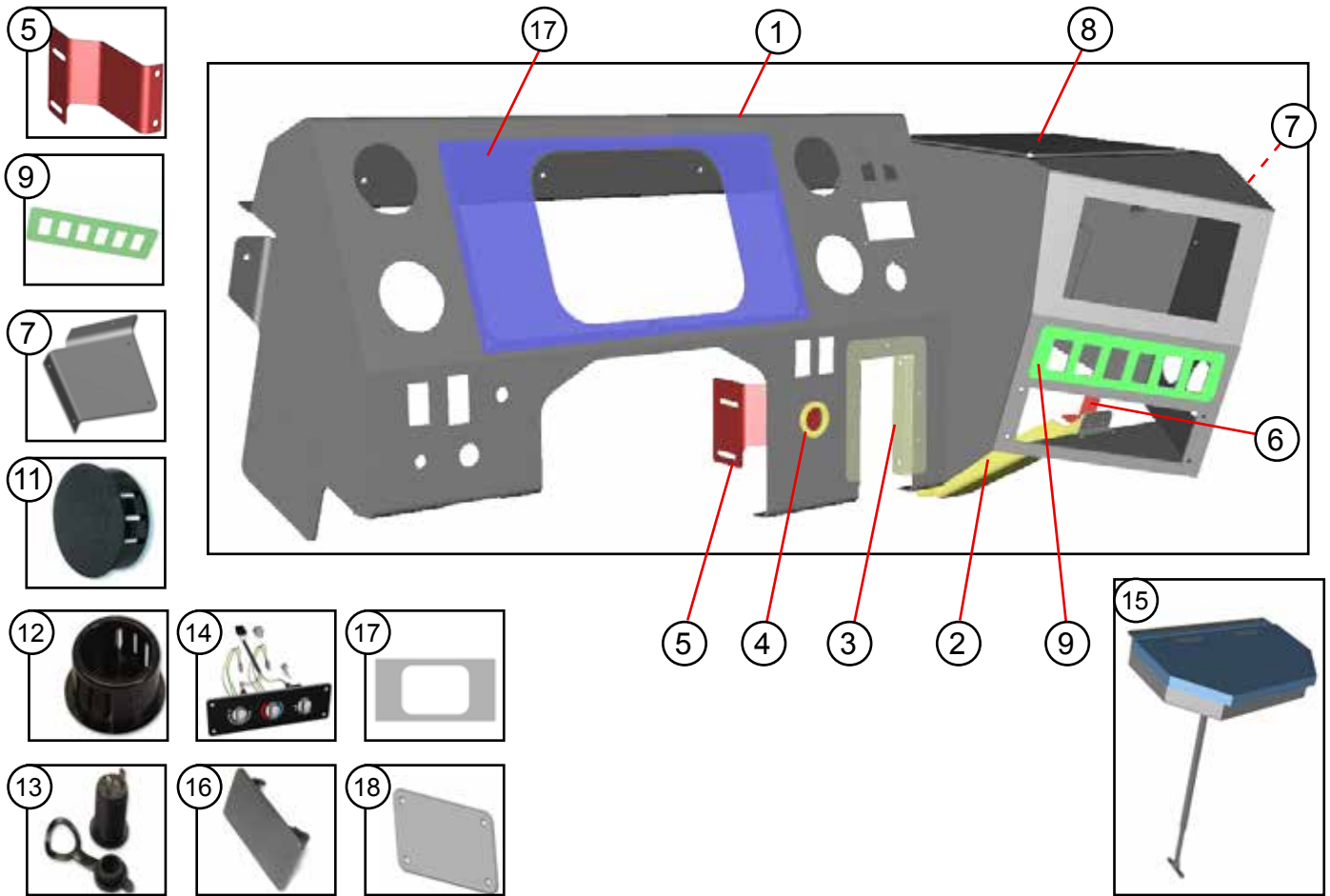


ITEM #	PART #	DESCRIPTION	QTY.	UNIT
1	138005200	CAB ASSEMBLY	1	EA
2	098005502	ENGINE BOX SADDLE	1	EA
3	077050402	SHIM	1	EA
4	098005503	ENGINE BOX SIDE ROADSIDE	1	EA
5	077050423	TOE BOARD ROADSIDE	1	EA
6	077050419	TOE BOARD DASH ROADSIDE	1	EA
7	1107270	SEAL TR SCHLEG1426-X999	8	FT
8	098005400	ENGINE BOX TOP	1	EA
9	098005501	ENGINE BOX HOUSING	1	EA
10	098005462	DASH PANEL	1	EA
11	098005472	DASH WALL CURBSIDE	1	EA
12	077050408	DASH WALL ROADSIDE	1	EA
13	8502001	CORNER CASTING CURBSIDE	1	EA
14	8502000	CORNER CASTING ROADSIDE	1	EA
15	083023402	WINDSHIELD RAIL	1	EA
16	083005418	SUPPORT RAIL ROADSIDE	1	EA
17	083005419	SUPPORT RAIL CURBSIDE	1	EA
18	077050400	STIFFENER ROADSIDE	1	EA
19	077050401	STIFFENER CURBSIDE	1	EA
20	093005512	DASH SHELF	1	EA
21	093005421	CAB SKIRT ROADSIDE	1	EA
22	135005400	CAB SKIRT CURBSIDE	1	EA
23	47008545	VENT 2 WAY HINGLESS	2	EA
24	47008548	VENT GASKET	2	EA
25	077050406	GUSSET TOE BOARD CURBSIDE	1	EA
26	077050411	FILLER SADDLE	1	EA
27	077050446	HEEL SCUFF PLATE	1	EA
28	47007859	HINGE OFFSET	2	EA
29	1113336	LATCH	2	EA
30	117028400	SHIM ENGINE BOX	2	EA
31	098028402	LID ENGINE BOX	1	EA
32	47006630	CLIP PLASTIC ROUND/HEAD 1.32-1.34	27	EA

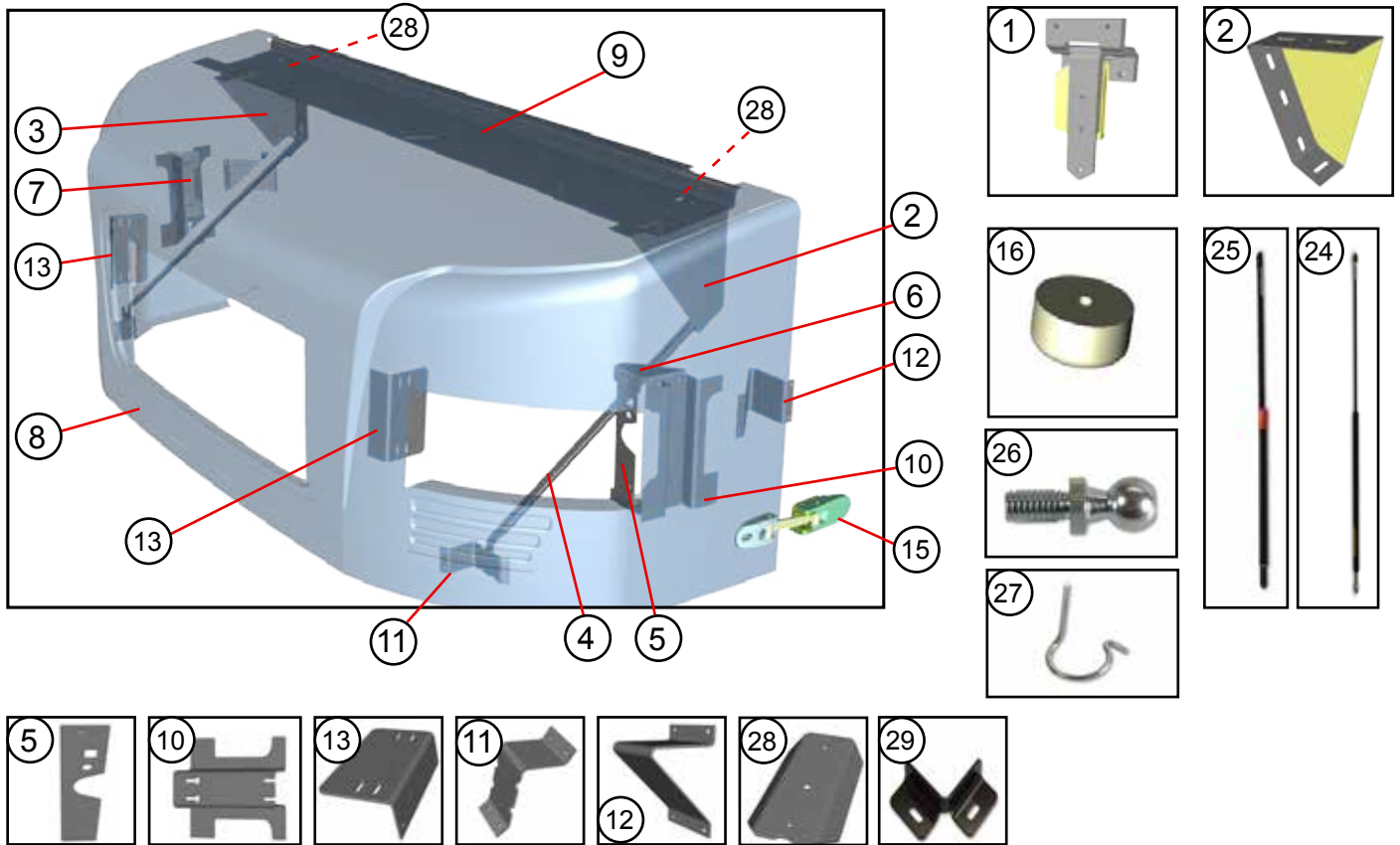




ITEM #	PART #	DESCRIPTION	QTY.	UNIT
1	148055200	WINDSHIELD ASSEMBLY 85H93W NO VENT	1	EA
2	083023402	WINDSHIELD RAIL (SEE PAGE 4 ITEM 15 )	1	EA
3	148055400	FRAME W/S AL .102X53.45X70.25 CURBSIDE	1	EA
4	077055404	STIFFENER W/S AL 450540X44.25	2	EA
5	148055402	POST W/S CENTER AL 450540X44.84	1	EA
6	148055401	FRAME WINDSHEILD ROADSIDE	1	EA
7	077055402	GUSSET FRAME W/S AL .125X6.49X7.27	1	EA
8	998555329	GUSSET FRAME W/S AL .125X4.6X9.19	1	EA
9	148076405	COVER WIPER END AL.102X13X26.28	1	EA
10	088076449	BRACKET, MOUNTING AL.102X2.36X3.9 LH	1	EA
11	47007888	HINGE	2	EA
12	097076435	PLATE COVER ACC AL.070X6X28.38	1	EA
13	148076404	COVER MOTOR WIPER AL.102X19.96X59.84	1	EA
14	148076401	SHELF LOWER WRP AL.102X18.85X87.9	1	EA
15	097076437	PLATE COVER ACC AL.070X5.75X5.75	1	EA
16	088076450	BRACKET MOUNTING AL .102X2.36X3.9 RH	1	EA
17	088076447	COVER DOOR COMPARTMENT AL .102X6.31X23	1	EA
18	1107102	PLUG BPR D/R	2	EA
19	097076436	PLATE COVER ACC AL.070X6X10	2	EA
20	47006610	CLIP PUSH IN .45HEADX.64	52	EA
21	46021115	CLIP LARGE BODY PAN	1	EA
22	96756400	GLASS WINDSHIELD	2	EA
23	148056400	GLASS SIDE TRIANGLE	2	EA
24	44004303	WEATHER STRIPPING LS-1660 X147.5	2	EA
24	44004308	WEATHER STRIPPING LS-1660 X87	2	EA
25	47005504	SUN VISOR	2	EA
26	090061400	BRACKET SUN VISOR CURBSIDE	1	EA
27	083055454	BRACKET WIPER MOTOR AL.102X4.5X4.64	1	EA
28	158076401	PANEL END COMPARTMENT AL .102X4X10.81	1	EA
NS	118011402	LINER ROOF CAB 452100X37.12X86.75	1	EA
NS	100011400	POLYESTER FILL ROOF LINER 4X22.5	1	EA

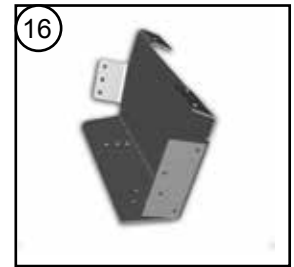
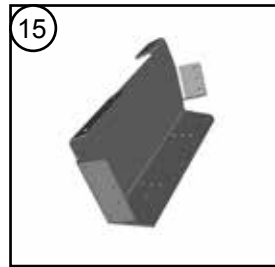
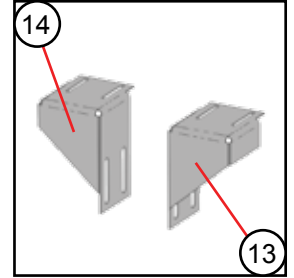
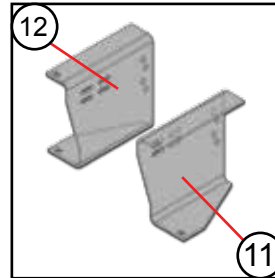
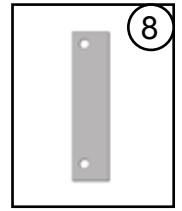
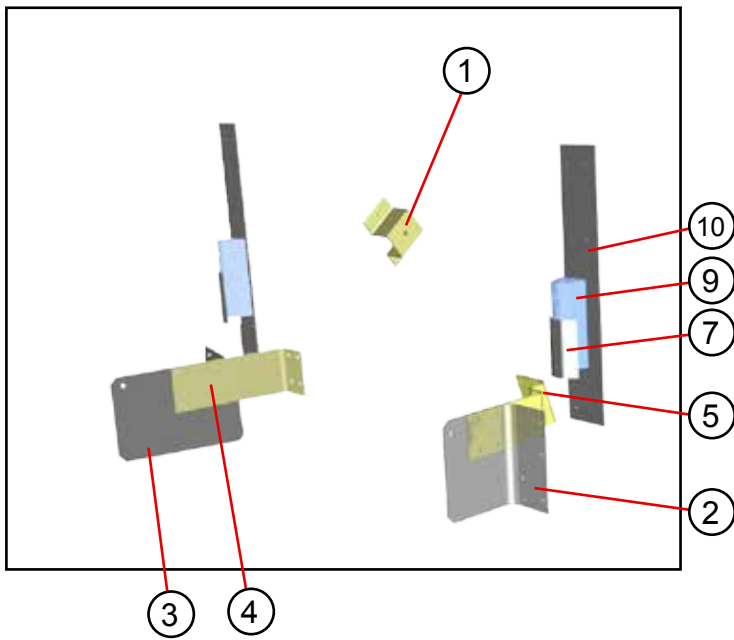


ITEM #	PART #	DESCRIPTION	QTY.	UNIT
1	124027203	INSTRUMENT PANEL WELDMENT	1	EA
2	118027421	BRACKET REINFORCEMENT AL.102X4.32X11.69	1	EA
3	002027423	BRACKET SHIFTER STEEL 11GAX4.87X6.43	1	EA
4	006327202	SPACER IGNITION SWITCH AL .102X1.5X1.5	1	EA
5	107027403	BRACE INSTRUMENT PANEL AL.102X3.75X8.43	1	EA
6	118027414	BRACE AL.125X1.91X12.9	1	EA
7	114027403	BRACE PANEL AL.125X6.48X7.32	1	EA
8	128027421	COVER PLATE RADIO AL.102X9X11	1	EA
9	118027417	PLATE ROCKER SWITCH AL.102X2.50X8.75	1	EA
10	128027403	PLATE COVER INSTRUMENT PANEL AL.102X2.38X4	1	EA
11	44000117	PLUG HL BLACK	1	EA
12	1111513	PLUG HL BLACK	1	EA
13	46026378	RECEPTICAL 12V POWER W/TETHER SS BODY	1	EA
14	555001413	PANEL CONTROL HEATER (SEE PAGE 27)	1	EA
15	47009282	SHELF WORK STATION ASSEMBLY W/DIV & LOCK	1	EA
16	46023506	PLUG HOLE ROCKER SWITCH BLACK	3	EA
17	098027402	PLATE ADAPTOR INSTRUMENT PANEL	1	EA
18	128027403	PLATE COVER I/P AL.102X2.38X4	1	EA

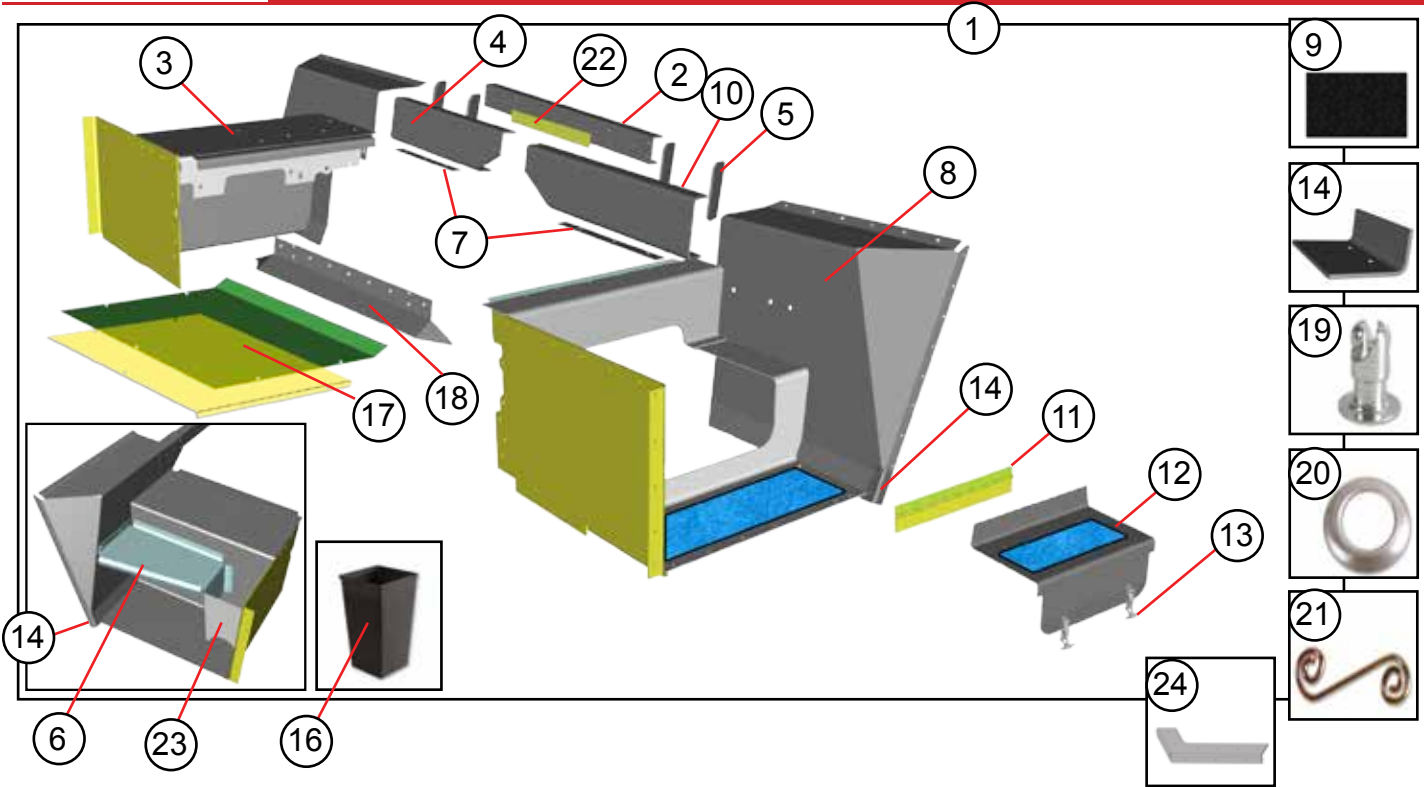


ITEM #	PART #	DESCRIPTION	QTY.	UNIT
1	47007900	HINGE AL STRAP W/ZERK .25 OFF SET	2	EA
2	088017264	BRACKET HINGE WELDMENT ROADSIDE (SHOWN)	1	EA
3	088017263	BRACKET HINGE WELDMENT CURBSIDE	1	EA
4	006017420	BRACE HOOD AL .102X3.12X29.88	2	EA
5	006017430	PLATE MOUNTING AL .102X2.7X11.75	2	EA
6	006017429	BRACKET LAMP AL .102X5.76X19.68	2	EA
7	006017428	BRACKET LAMP ANGLE AL ANG .102X5.62X8	2	EA
8	45200799	HOOD FIBREGLASS 93W	1	EA
9	006017402	STIFFENER AL .125X15X80.5	1	EA
10	006017424	BRACKET HEADLAMP AL .102X10.35X11.75	2	EA
11	006017426	BRACKET SUPPORT FRONT AL .102X2.5X8.0	2	EA
12	006017427	BRACKET SIDE AL .102X4X11.67	2	EA
13	006017425	BRACKET HEADLAMP INBOARD AL .102X6.44X8	2	EA
NS	44004077	SEAL TAPE #1458BTXFT	4.42	FT
15	47000613	LATCH HOOD	2	EA
16	44002004	BUMPER RUBBER HOOD LATCH	2	EA
NS	CFGRILLEM2	GRILLE	1	EA
NS	CFBADGEM2	GRILLE BADGE	1	EA
24	47006018	SPRING GAS SUSPA #C16-04650	1	EA
25	47006051	SPRING GAS WITH LOCK	1	EA
26	40900019	STUD BALL SUSPA #P67-00002	4	EA
27	40900020	STUD BALL CLIP	4	EA
28	088017453	CHANNEL STIFFENER HINGE AL.125X4.1X7.11	2	EA
29	96713300	ANGLE STEEL S 11GAX1.85X4.74	2	EA

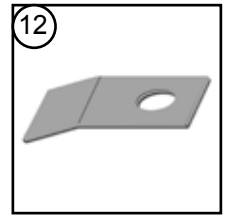
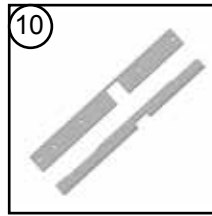
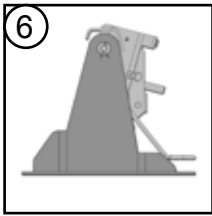




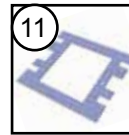
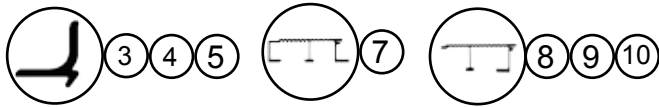
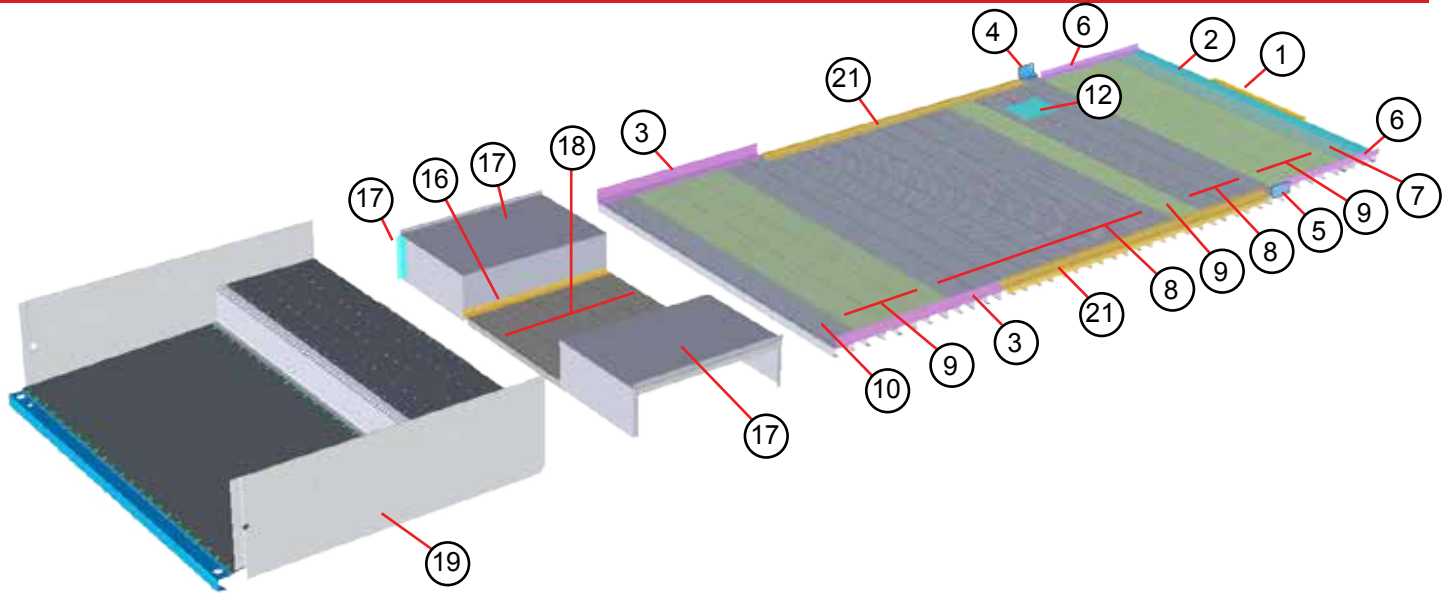
ITEM #	PART #	DESCRIPTION	QTY.	UNIT
1	006017433	STIFFENER HAT AL 450139X2.5	2	EA
2	088016400	BRACKET HOOD PROP ROADSIDE STL7GAX7.22X9.17L	1	EA
3	088016401	BRACKET HOOD PROP CURBSIDE STL7GAX7.22X9.17R	1	EA
4	098016402	BRACE HOOD BRACKET CURBSIDE STL7GA X3.5X12.12	1	EA
5	098016401	BRACE HOOD BRACKET ROADSIDE STL7GA X4.25X14.12	1	EA
6	43000597	LABEL HOOD PROPER INSTRUCTIONS	1	EA
7	088017445	BRACKET HOOD STOP AL.102X2.92X4	2	EA
8	087015400	BUMPER BACKER AL.102X.88X6	2	EA
9	44002014	REST HOOD BUMPER RUBBER	2	EA
10	088017444	PLATE BACKER HOOD STOP AL.188X3X19	2	EA
11	109008400	FRAME EXTENSION ROADSIDE STL.312X13.44X20.11LH	1	EA
12	109008401	FRAME EXTENSION CURBSIDE STL.312X13.44X20.11RH	1	EA
13	094015400	BRACKET HOOD REST ROADSIDE 11GAX11.79X14.54LH	1	EA
14	094015401	BRACKET HOOD REST CURBSIDE 11GAX11.79X14.54RH	1	EA
15	077260400	SPLASH PAN AL .125X11.27X21.36LH	1	EA
16	077260404	SPLASH PAN AL .125X8.47X19.23RH	1	EA



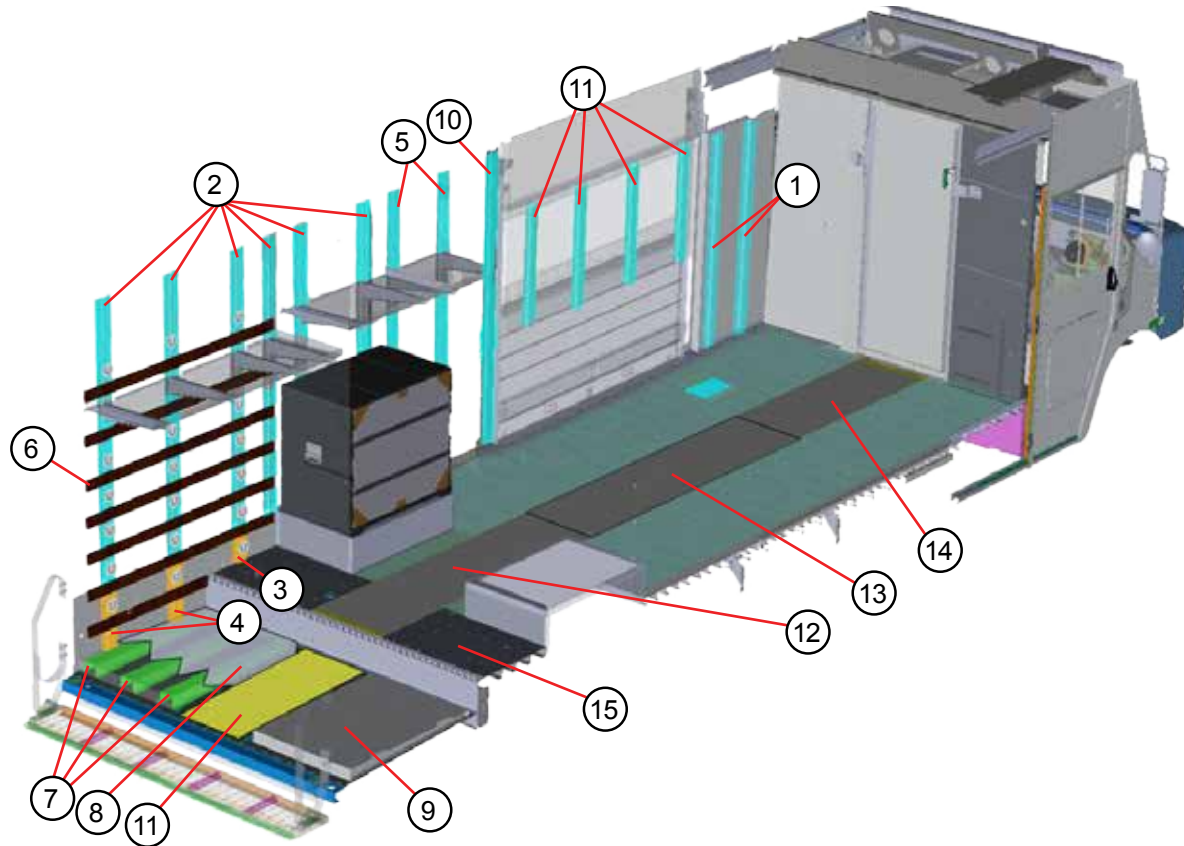
ITEM #	PART #	DESCRIPTION	QTY.	UNIT
1	088024021	STEP INSTALLATION CAB 93W MT55 2DR EM08	1	EA
2	077240400	CROSSMEMBER CENTER AL 456106X41	1	EA
3	088024243	STEP ASSEMBLY ROADSIDE	1	EA
4	083024464	CHANNEL CROSSMEMBER AL 456109X27 LH	1	EA
5	077240438	GUSSET AL .25X2.25X5.63	4	EA
6	077240468	STEP MID ALD.125X13.61X26.19 ROADSIDE	1	EA
7	088024417	SHIM OUTRIGGER AL .125XX1.75X18.6	2	EA
8	118024203	STEP ASSEMBLY CURBSIDE	1	EA
9	96724608	PAD DAMPENING 45200007X9X20	1	EA
10	083024465	CHANNEL CROSSMEMBER AL 456109X27 RH	1	EA
11	006324498	HINGE AL .075X1.12X1.75X21	1	EA
12	118024404	LID BATTERY ALD .125X22.25X24.82	1	EA
13	1113334	LATCH STEP	2	EA
14	084024415	RISER CORNER AL .125X3.61X3.5	2	EA
16	45200051	TRASH BIN	1	EA
17	108024201	TRANVERSE WELDMENT	1	EA
18	077024402	ANGLE FLOOR TRANVERSE	1	EA
19	40900080	STUD	6	EA
20	40900081	GROMMET HALF	6	EA
21	40900082	SPRING	6	EA
22	077050402	SHIM (BETWEEN SADDLE AND TRANVERSE ANGLE)	1	EA
23	077240433	BRACKET TRASH	1	EA
NS	1107235	MAT RUBBER RIBBED .125X30X FT	4	FT
24	100019404	TRIM TOEBOARD ALD.08X7.89X25.14 LH	1	EA



ITEM #	PART #	DESCRIPTION	QTY.	UNIT
1	47004325	SEAT VINYL BLACK 3PNT/IN W/O ARMS LH	2	EA
2	47004330	ARM REST BLACK SEAT 3PNT/IN RH	1	EA
3	47004329	ARM REST BLACK SEAT 3PNT/IN LH	1	EA
4	47004332	PEDESTAL SEAT UPPER 3PNT/IN FCC	1	EA
5	47003636	SPRING GAS SEAT HOLDER ASSEMBLY	1	EA
6	47012659	SEAT SOC/PEDESTAL BASE FRE 3PNT TILT	1	EA
7	47005319	S/BELT 3PNT/IN OG MET STRP150"	1	EA
8	47004972	SEAT HEADBACK REST CTUR BLK VNL FRE	1	EA
9	47004973	SEAT BLACK JUMP FOLDING	1	EA
10	91614300	ANGLE AL FLOOR .188X2.84X19.1	1	EA
11	47004366	S/BELT W/BOOT BLKH 3PNT OG R	1	EA
12	130070403	WASHER SEAT BASE	2	EA
NS	91614301	STIFFENER BULKHEAD FOR JUMP SEAT AL 450043X29.12	1	EA
NS	91614302	STIFFENER BULKHEAD FOR JUMP SEAT AL 450043X29.62	1	EA

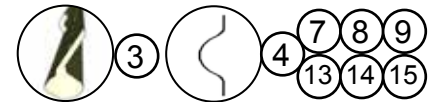
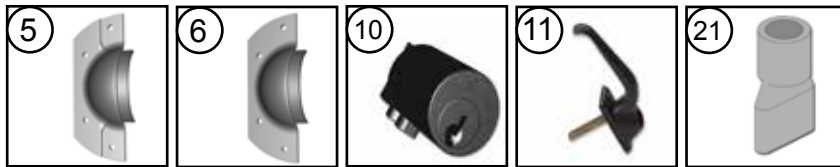
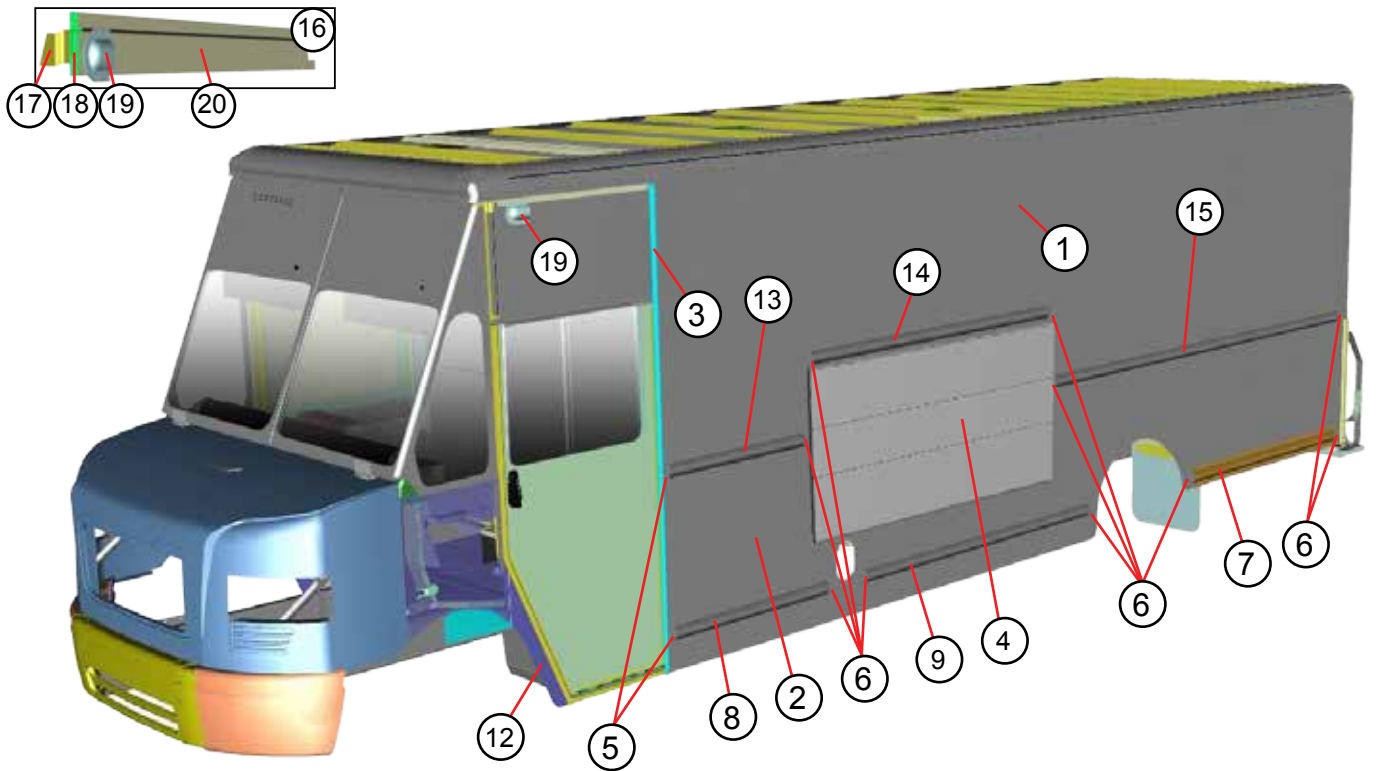


ITEM #	PART #	DESCRIPTION	QTY.	UNIT
1	001730416	ANGLE STEP AL450187X33.38	1	EA
2	05M234043	BEAM @ O/LINE AL 450394X86.38	1	EA
3	001730410	ANGLE FLOOR DROP 450303X36.62	2	EA
4	148031400	ANGLE FLOOR AL 450304X5.44 LH	1	EA
5	148031401	ANGLE FLOOR AL 450304X5.44 RH	1	EA
6	158034405	ANGLE FLOOR AL 450304X48.63 LH	2	EA
7	45061101	BEAM AL FLOOR H/D RIB 7X92.19	1	EA
8	45061301	BEAM AL FLOOR RIB 9X92.19	7	EA
9	45061202	BEAM AL FLOOR H/D RIB 8X92.19	12	EA
10	45061401	BEAM AL FLOOR H/D RIB 8.5X92.19	1	EA
11	05M234018	PLATE SUPPORT DOOR AL .125X14X14.2	1	EA
12	96730416	DOOR ACCESS AL .125X10.87X12.78	1	EA
13	40900080	STUD DZUS	2	EA
14	40900081	GROMMET HALF	2	EA
15	40900082	SPRING	2	EA
16	001734404	ANGLE W/BX AL 450018X40	2	EA
17	158035200	WHEEL BOX ASSEMBLY	2	EA
18	45061201	BEAM AL FLOOR H/D RIB 8X85.5	5	EA
19	158036200	FLOOR DROP WELDMENT 93W MT55 22'	1	EA
20	094078418	ANGLE SUPPORT AL 450523X9.88	2	EA
21	158130401	DROP SILL @ SIDE ROLL UP DOORS AL.102X5.44X87.75	2	EA

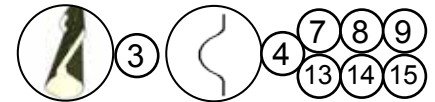
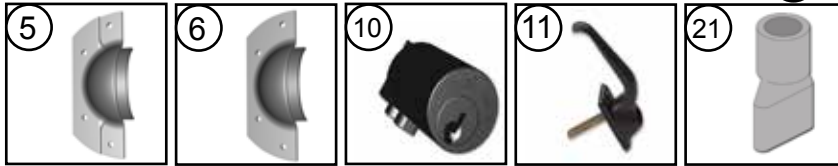
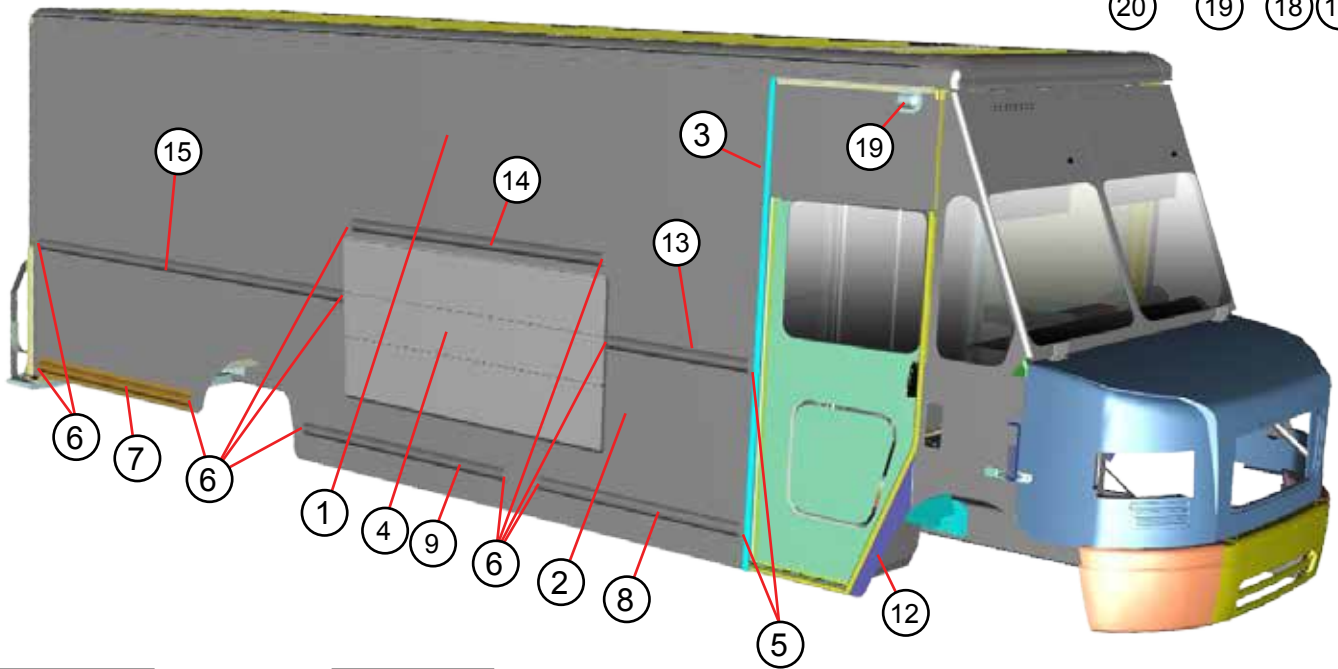
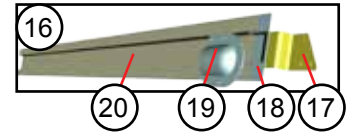


ITEM #	PART #	DESCRIPTION	QTY.	UNIT
1	148048416	STIFFENER @ DOOR POCKET HAT AL 450039X66.88	4	EA
2	158048408	STIFFENER @ WHEEL BOX AL 450039X76	12	EA
3	158048409	STIFFENER AFT W/BX AL 450595X10.72	2	EA
4	158048410	ANGLE @DROP FLOOR AL 450595X19.81	4	EA
5	158048412	STIFFENER ADJ AL450595X84	4	EA
6	138046402	SLAT HARDWOOD .75X2.62X5.92 BEVEL EDGE	14	EA
7	06M287424	STIFFENER DROP FLOOR HAT AL .125X11.8X43.14	6	EA
8	158127490	PLATE COVER AL .125X32.13X48.55 LH	1	EA
9	158127491	PLATE COVER AL .125X32.13X48.55 RH	1	EA
10	148048410	STIFFENER SIDE 91H AL 450039X84	2	EA
11	158048411	STIFFENER RUD/POCKET AL 450039X35.75	8	EA
12	138100405	FLOOR OVERLAY FBG .125X23.88X81.25	1	EA
13	158100402	FLOOR OVERLAY FBG .125X23.88X95.75	1	EA
14	138100404	FLOOR OVERLAY FBG .125X23.88X61.25	1	EA
15	158036403	PLATE FLOOR ALD .125X24X92.63	1	EA

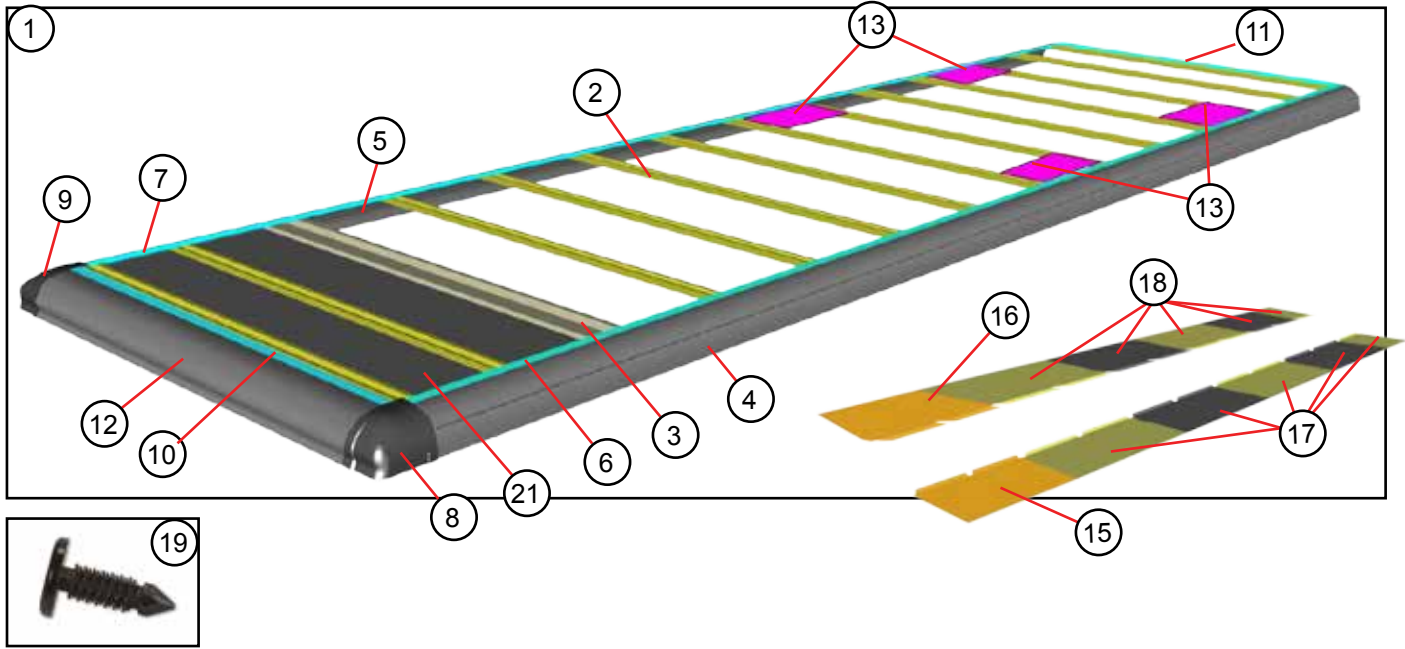




ITEM #	PART #	DESCRIPTION	QTY.	UNIT
1	158038415	SIDE UPPER AL .102X60X297.31 LH	1	EA
2	158037424	SIDE LOWER AL .125X47.79X297.31 LH	1	EA
3	148038404	POST B AL 450274X99.62 LH	1	EA
4	47005896	ROLL UP DOOR ROADSIDE 38X85.25	1	EA
5	1100800	END CAP FORWARD AL.125X2.37X5.5	2	EA
6	1100799	END CAP REAR FL AL.125X2.37X5.5	10	EA
7	05M234049	RUB/RAIL LOWER REAR AL 450002X70	1	EA
8	096110402	RUB/RAIL LOWER FRONT AL450002X46 LH	1	EA
9	156110400	RUB/RAIL LOWER MID AL450002X114.5 LH	1	EA
10	47001194	HANDLE CYL REMOVABLE	1	EA
11	47001176	HANDLE BLACK NO CYL	1	EA
12	098022400	CAB SKRT TAIL AL.07X5.76X36.83 LH	1	EA
13	148039401	RUB/RAIL UPPER FRONT AL450002X39.48	1	EA
14	158038408	DRIP RAIL UPPER MID AL450006X83.88	1	EA
15	158039409	RUB/RAIL UPPER REAR AL450002X162	1	EA
16	097042000	STIFFENER HEADER INSTALLATION (ITEMS 17,18,19,20)	1	EA
17	96742302	CLIP AL Z .102X3X9.57	1	EA
18	45100074	CAP RAIL END	1	EA
19	47008533	VENT CAP PLASTIC END	1	EA
20	083042400	STIFFENER HEADER AL450328X73.75 ROADSIDE	1	EA
21	44001006	DRAIN RUBBER KAZOO FOR PIPE	1	EA

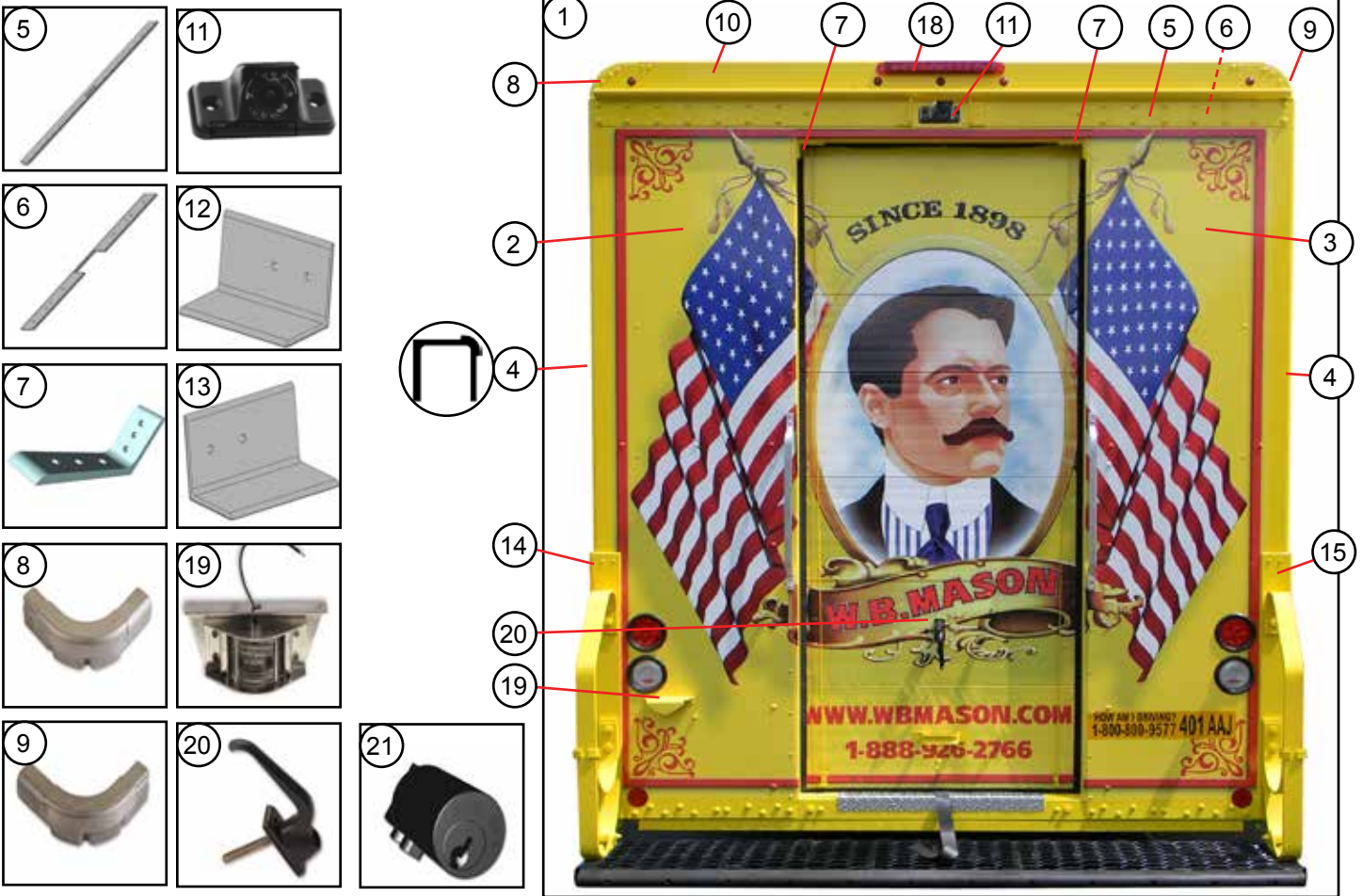


ITEM #	PART #	DESCRIPTION	QTY.	UNIT
1	158038415	SIDE UPPER AL .102X60X297.31 RH	1	EA
2	158037425	SIDE LOWER AL .125X47.79X297.31 RH	1	EA
3	148038405	POST B AL 450274X99.62 RH	1	EA
4	47005896	ROLL UP DOOR CURBSIDE 38X85.25	1	EA
5	1100800	END CAP FORWARD AL.125X2.37X5.5	2	EA
6	1100799	END CAP REAR FL AL.125X2.37X5.5	10	EA
7	05M234049	RUB/RAIL LOWER REAR AL 450002X70	1	EA
8	096110400	RUB/RAIL LOWER FRONT AL450002X59 RH	1	EA
9	156110401	RUB/RAIL LOWER MID AL 450002X103 RH	1	EA
10	47001194	HANDLE CYL REMOVABLE	1	EA
11	47001176	HANDLE BLACK NO CYL	1	EA
12	098022401	CAB SKRT TAIL AL.07X5.76X36.83 RH	1	EA
13	148039401	RUB/RAIL UPPER FRONT AL450002X39.48	1	EA
14	158038408	DRIP RAIL UPPER MID AL450006X83.88	1	EA
15	158039409	RUB/RAIL UPPER REAR AL450002X162	1	EA
16	127042000	STIFFENER HEADER INSTALLATION (ITEMS 17,18,19,20)	1	EA
17	96742302	CLIP AL Z .102X3X9.57	1	EA
18	45100074	CAP RAIL END	1	EA
19	47008533	VENT CAP PLASTIC END	1	EA
20	083042401	STIFFENER HEADER AL450328X73.75 CURBSIDE	1	EA
21	44001006	DRAIN RUBBER KAZOO FOR PIPE	1	EA

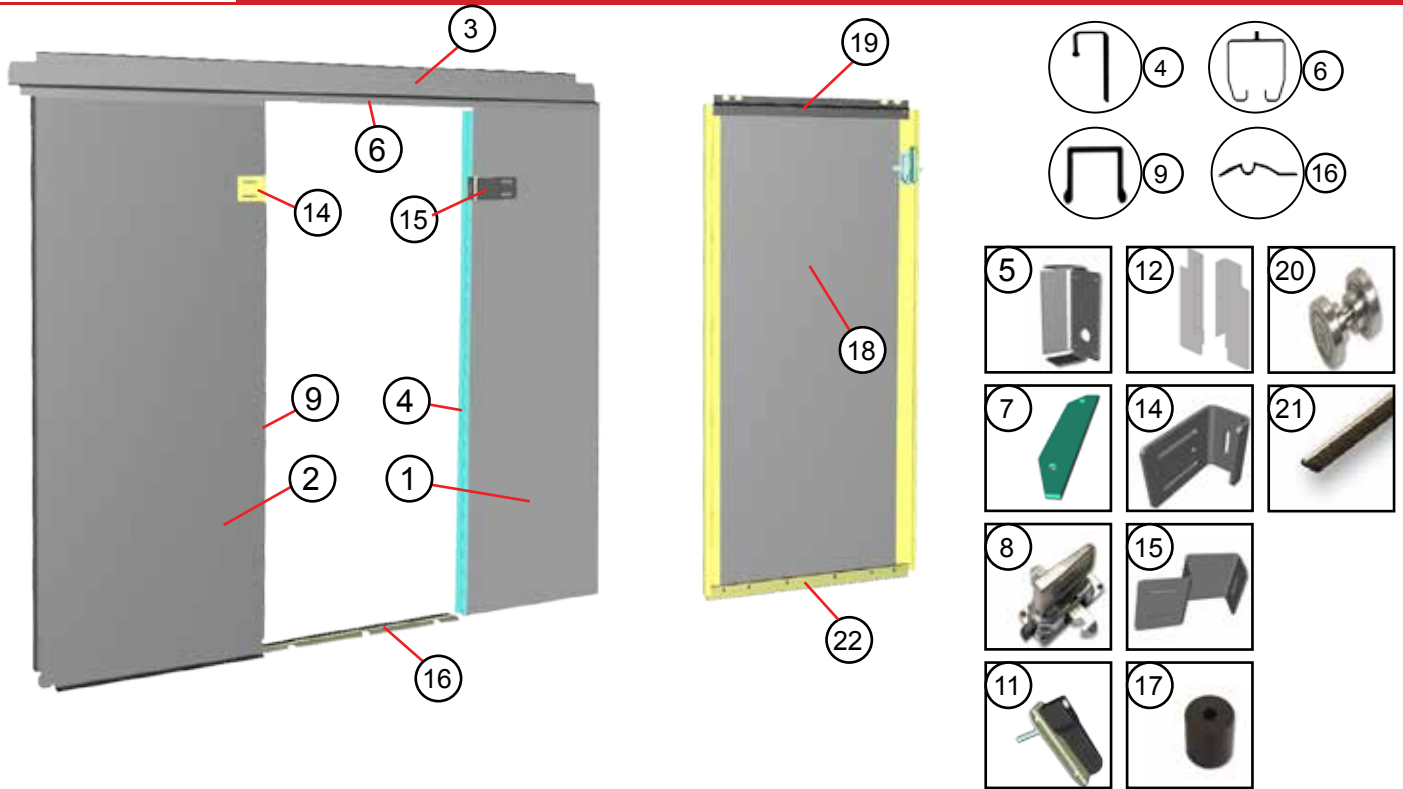


ITEM #	PART #	DESCRIPTION	QTY.	UNIT
1	096010002	ROOF AL OR FBG ASSEMBLY 21'4"93W D/FLR	1	EA
2	45601603	ROOF BOW STEEL 16GA SEC456016 X89.12	14	EA
3	118010402	ROOF BOW @ O/LINE 14GA GLNX9.54X89.12	1	EA
4	118010412	RAIL ROOF 24' AL456144X333.25 LH	1	EA
5	118010413	RAIL ROOF 24' AL456144X333.25 RH	1	EA
6	118010414	INTERLINK ROOF RAIL AL450140X333.25 LH	1	EA
7	118010415	INTERLINK ROOF RAIL AL450140X333.25 RH	1	EA
8	077100400	CORNER AL CAST ROOF LH	1	EA
9	077100401	CORNER AL CAST ROOF RH	1	EA
10	89310506	INTERLOCK ROOF NOSE AL 45014X82.38	1	EA
11	89310507	INTERLOCK RAIL TRANSOM AL 450140X79.88	1	EA
12	083010400	NOSE 93W AL 456107X82.5	1	EA
13	158010426	PANEL ROOF SUPPORT AL .102X18X25.04	4	EA
NS	158010425	SKIN FBG ROOF	27.98	FT
<b>CARGO ROOF LINER</b>				
15	083011500	LNR RF EMB .023X29.65X49 LH	1	EA
16	083011501	LNR RF EMB .023X29.65X49 RH	1	EA
17	083011502	LNR 49' EMB .023X29.65X49 LH	5	EA
18	083011503	LNR 49' EMB .023X29.65X49 RH	5	EA
19	47006610	CLIP PLASTIC FLAT HEAD .45HEADX.64	180	EA
NS	1109001	INSULATION FBG 1X48X100FT	29	FT
<b>CAB ROOF LINER</b>				
21	118011402	LNR ROOF CAB 452100X37.12X86.75	1	EA
NS	100011400	POLYST FIL RFLNR4200200 4X22.5	3	EA
NS	1109001	INSULATION FBG 1X48X100FT	7.25	FT
19	47006610	CLIP PLASTIC FLAT HEAD .45HEADX.64	52	EA



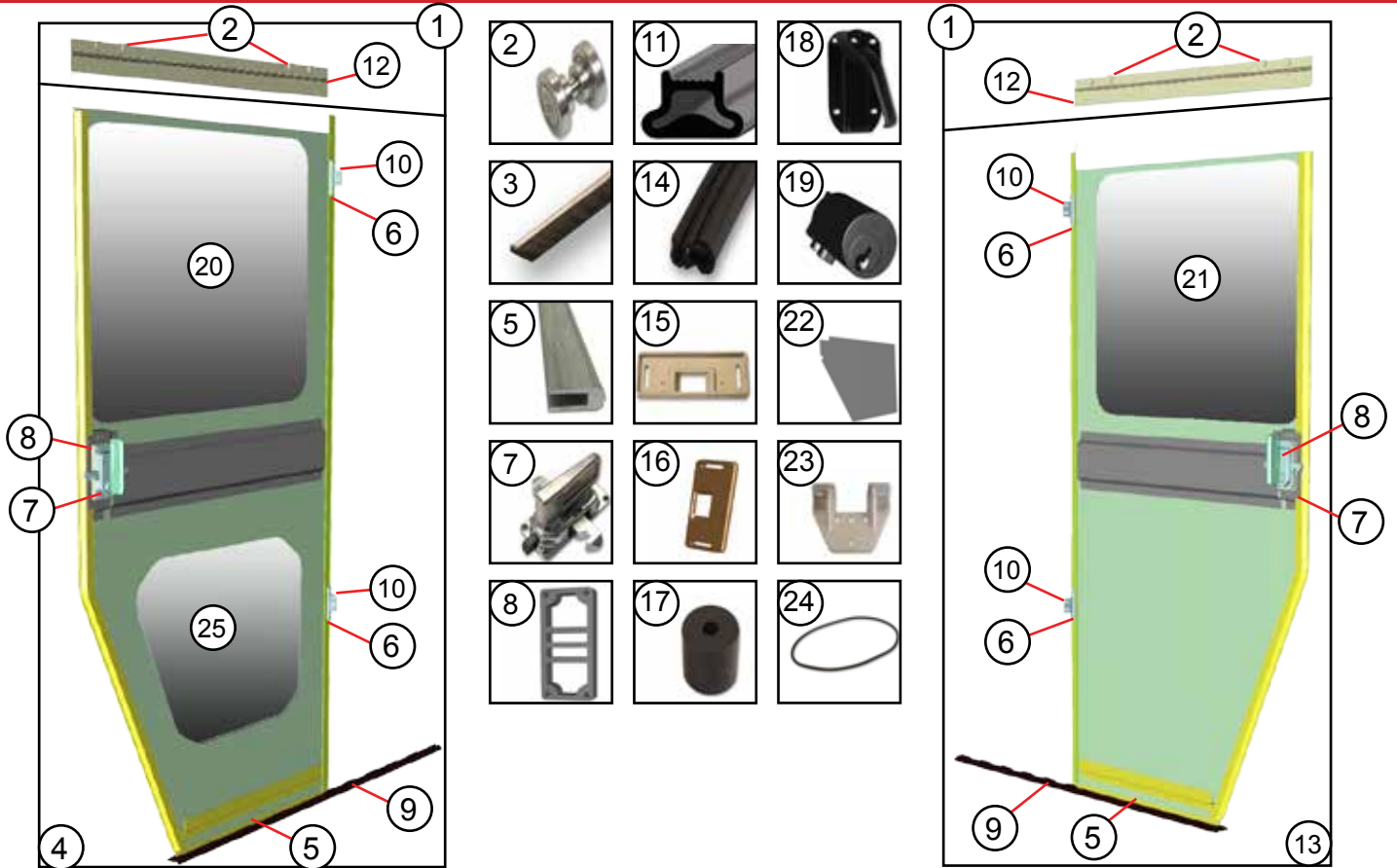


ITEM #	PART #	DESCRIPTION	QTY.	UNIT
1	148053200	BACK ASSEMBLY 91H93W 38" RUD D/FLR	1	EA
2	148053401	PANEL BACK AL.188X30.79X101 LH	1	EA
3	148053402	PANEL BACK AL.188X30.79X101 RH	1	EA
4	148053400	POST JAMB AL450359X92.85	2	EA
5	007750408	EXTENSION TRANSOM AL .125X5.86X85.88	1	EA
6	158053411	SPACER SHIM AL .188X1.88X39.44	1	EA
7	93181302	ANGLE CLIP HEADER AL 450198X1	2	EA
8	45100098	CORNER AL CAST ROOF REAR LH	1	EA
9	45100099	CORNER AL CAST ROOF REAR RH	1	EA
10	158053410	TRANSOM AL450352X91.63	1	EA
11	48200141	CAMERA BACKUP CLR BLLT	1	EA
12	137094401	GUARD CAM AL450523X3.25 LH	1	EA
13	137094402	GUARD CAM AL450523X3.25 RH	1	EA
14	118050409	ANGLE REINFORCEMENT OUTTER AL 450176X37.69	1	EA
15	118050410	ANGLE REINFORCEMENT OUTTER AL 450176X37.69	1	EA
NS	118050407	REINFORCEMENT INNER AL.188X9.35X35.13 LH	1	EA
NS	118050408	REINFORCEMENT INNER AL.188X9.35X35.13 RH	1	EA
18	46001905	LAMP AUX S/LH+RH TURN BAR	1	EA
19	1111001	LAMP LICENSE PLATE	1	EA
20	47001176	HANDLE REAR BLACK NO CYL	1	EA
21	47001194	HANDLE CYL REMOVABLE	1	EA

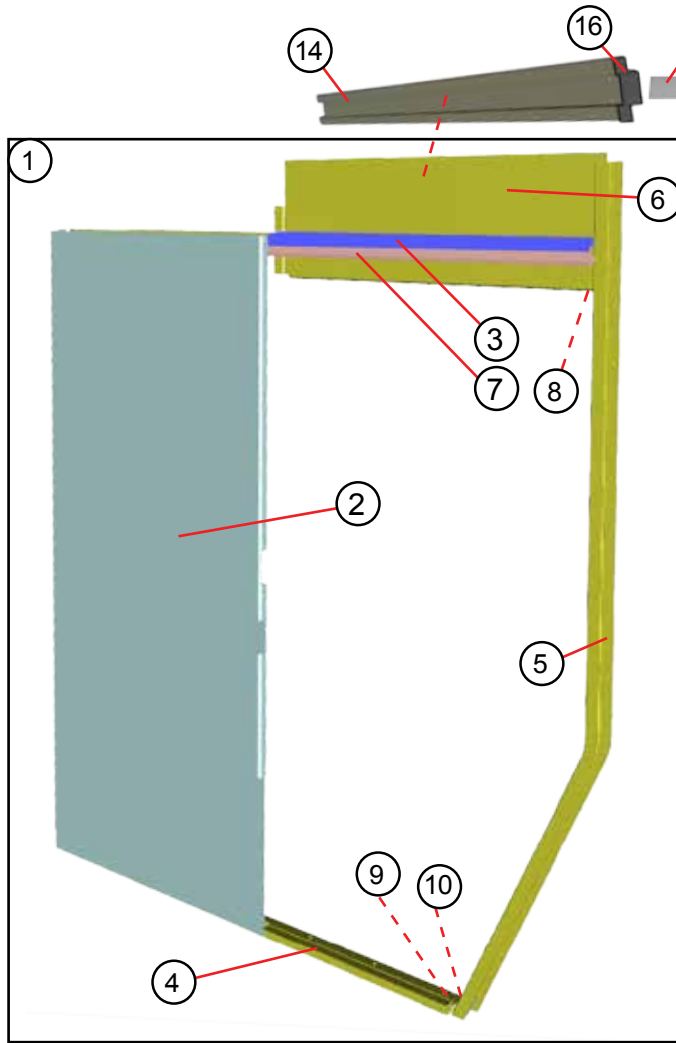


ITEM #	PART #	DESCRIPTION	QTY	UNIT
1	148070411	PANEL BULKHEAD AL.102X30.37X81.38 LH	1	EA
2	148070412	PANEL BULKHEAD AL.102X28.12X81.38 RH	1	EA
3	148070415	ZEE HEADER BULKHEAD AL.102X14.78X92.41	1	EA
4	107070405	CHANNEL BULKHEAD LH ALE450502X76.15	1	EA
5	088070433	SPACER DOOR BULKHEAD AL .125X4.6X10.02	1	EA
6	088070256	TRACK DOOR ASSEMBLY 30" CTR SLID	1	EA
7	06M202043	SHIM HANDLE DOOR AL .125X1X7	1	EA
8	1113016	LOCK MECH LK INR D/S KAS 4002-14	1	EA
9	107070407	JAMB BULKHEAD DOOR ALE450326X78.37	1	EA
10	088070482	SPACER BULKHEAD 1101200X2.25	2	EA
11	47000996	HANDLE BULKHEAD DOOR BLACK	1	EA
12	148070413	PLATE BULKHEAD AL.055X3.56X12.3 RH	1	EA
12	148070414	PLATE BULKHEAD AL.055X3.56X12.3 LH	1	EA
14	088070431	BRACKET STIKER STEEL 7GAX3.5X6.32 LH	1	EA
15	088070432	BRACKET STRIKER STEEL 7GAX3.5X11.77 RH	1	EA
16	96770316	GUIDE DOOR FLOOR AL 450414X47.88	1	EA
17	44002011	BUMPER RUBBER	3	EA
18	148070202	DOOR ASSEMBLY BULKHEAD N/WDO UPR HNDL POS	1	EA
19	148070203	HANGER ASSEMBLY W/SEAL BHD 3.34X30.13	1	EA
20	47006595	BEARINGS SR311-214 & RT311-278	4	PR
21	44008050	SEAL BRUSH TYPE B 1X83.9	1	EA
22	148070419	WEAR STRIP BULKHEAD DOOR BOTTOM AL452002X32.35	1	EA
23	148069402	STIFFENER JUMP SEAT AL450043X79	1	EA

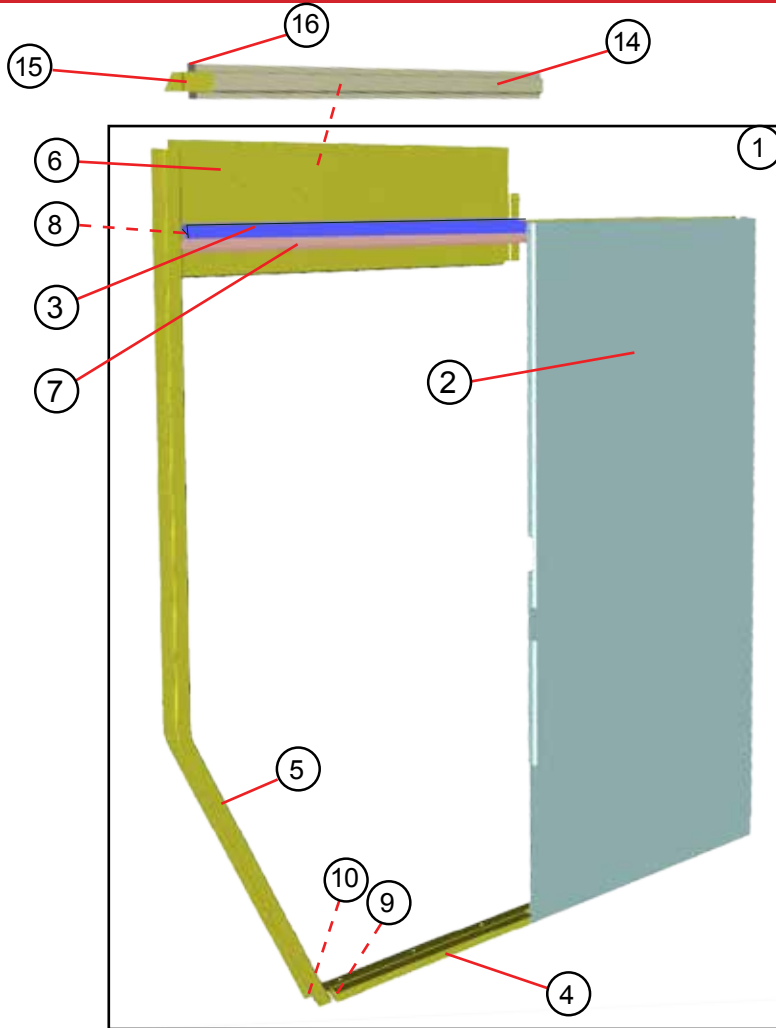




ITEM #	PART #	DESCRIPTION	QTY	UNIT
1	96760203	HANGER ASSEMBLY	1	EA
2	47006595	BEARINGS	4	PR
3	44008050	SEAL BRUSH TYPE B 1X83.9	1	EA
4	083060202	DOOR ASSEMBLY CURBSIDE	1	EA
5	98760306	WEAR STRIP 450008X25.75	1	EA
6	45200206	SPACER ANTI RATTLE CLIP	2	EA
7	1113016	LATCH MECHINISM	1	EA
8	087181	SPACER LATCH	1	EA
9	47002766	GUIDE NYLON DOOR MLDD LOWER X51.44	1	EA
10	96760318	CLIP ANTI RATTLE AL.188X2X2.7	2	EA
11	44004104	SEAL RUBBER RS FWD DR X89.25	1	EA
12	96760307	PLATE DOOR HANGER	1	EA
13	083060201	DOOR ASSEMBLY ROADSIDE	1	EA
14	1107270	SEAL TR SCHLEG1426-X999	8	FT
15	45100093	STRIKER BRONZE D/S RR	2	EA
16	45100163	STRIKER BRONZE D/S RR	1	EA
17	44002011	BUMPER RUBBER	1	EA
18	47000689	HANDLE SIDE BLACK	1	EA
19	47001194	REMOVABLE CYCLINDER	1	EA
20	45800062	WINDOW SLIDING CURBSIDE (FILLER STRIP 7.68 FT - 44004200)	1	EA
21	45800063	WINDOW SLIDING ROADSIDE (FILLER STRIP 7.68 FT - 44004200)	1	EA
22	083060409	PANEL DOOR INNER LOWER .07X39.4X40.02 RH (083060406 - LH)	1	EA
23	45100094	BRACKET STRIKER CAST D/S	1	EA
24	44004262	WEATHER STRIP FLUSH MOUNTING X93.25	1	EA
25	1111637	GLASS SAFETY RH DOOR .25 84456-10	1	EA



ITEM #	PART #	DESCRIPTION	QTY.	UNIT
1	148041200	DOOR POCKET ASSEMBLY	1	EA
2	109041400	PANEL D/P AL.102X42.26X87.65LH	1	EA
3	96741302	CHANNEL HEADER AL 450256X75 LH	1	EA
4	98741352	NOSE STEP AL 450247X61.29 LH	1	EA
5	148041402	DOOR POST AL 450294X102.43 LH	1	EA
6	148041400	PANEL HEADER AL.102X19.49X42.37 LH	1	EA
7	96741202	TRACK ASSEMBLY UPPER	1	EA
8	45100048	GUSSET HEADER CHANNEL TO DOOR POST	1	EA
9	45100104	DOOR POST CASTING LOWER LH	1	EA
10	001741407	REINFORCEMENT BRACKET PST AL.125X1.53X8.04 LH	1	EA
11	44004060	SEAL BRUSH TYPE C 1.5X82	1	EA
12	44008050	SEAL BRUSH TYPE B 1X83.9	1	EA
13	45900001	PLUG WD RB/RL .75X1.12X2.9	1	EA
14	083042400	STIFFENER HEADER AL450328X73.75 LH	1	EA
15	96742302	CLIP AL ZEE .102X3X9.57	1	EA
16	45100074	CAP RAIL END	1	EA
17	96741354	COVER DOOR POCKET AL.055X6.75X12.16 LH	1	EA
18	47008533	CAP PLASTIC END VENT	1	EA
NS	158041401	DRIP EDGE OVER WINDOW AL450006X38.8 LH	1	EA



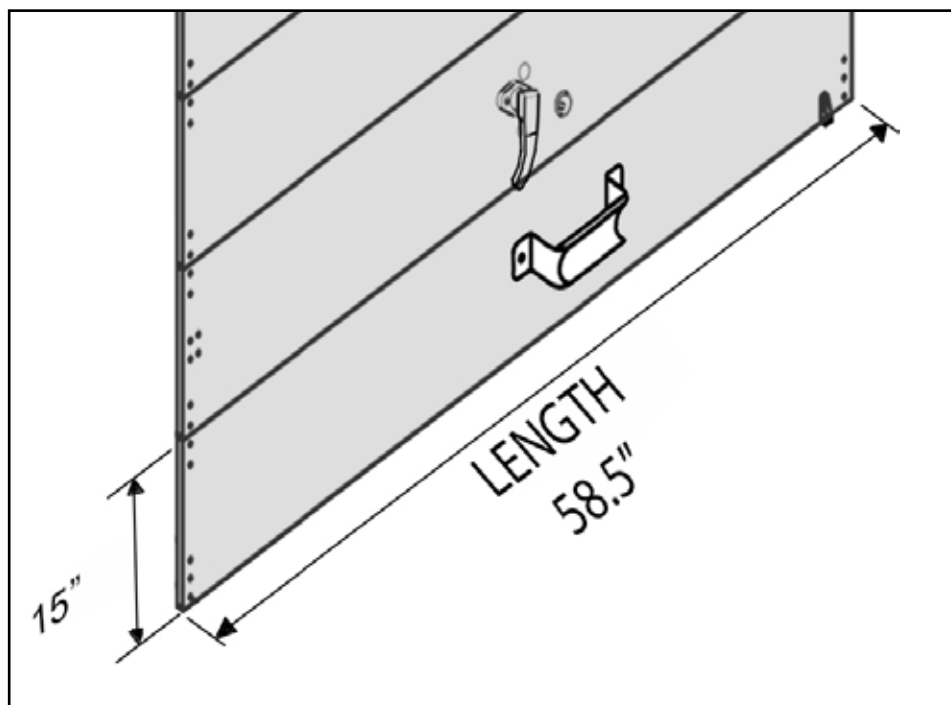
ITEM #	PART #	DESCRIPTION	QTY.	UNIT
1	148041201	DOOR POCKET ASSEMBLY	1	EA
2	109041401	PANEL DOOR POCKET AL.102X42.26X87.65RH	1	EA
3	96741303	CHANNEL HEADER AL 450256X75 RH	1	EA
4	98741353	NOSE STEP AL 450247X61.29 RH	1	EA
5	148041403	DOOR POST AL 450294X108.43RH	1	EA
6	148041401	PANEL HEADER AL.102X19.49X42.37 RH	1	EA
7	96741202	TRACK ASSEMBLY UPPER	1	EA
8	45100049	GUSSET HEADER CHANNEL TO DOOR POST	1	EA
9	45100105	DOOR POST CASTING LOWER	1	EA
10	001741408	REINFORCEMENT BRACKET AL.125X1.53X8.04 RH	1	EA
11	44004060	SEAL BRUSH TYPE C 1.5X82	1	EA
12	44008050	SEAL BRUSH TYPE B 1X83.9	1	EA
NS	45900001	PLUG WD RUBRAIL .75X1.12X2.9	1	EA
14	083042401	STIFFENER HEADER AL450328X73.75 RH	1	EA
15	96742302	CLIP AL Z .102X3X9.57	1	EA
16	45100074	CAP RAIL END	1	EA
17	96741355	COVER DOOR POCKET AL.055X6.75X12.16 RH	1	EA
18	47008533	CAP PLASTIC END VENT	1	EA
NS	45900001	PLUG WD RB/RL .75X1.12X2.9	1	EA
NS	158041402	DRIP EDGE OVER WINDOW AL450006X38.8 RH	1	EA

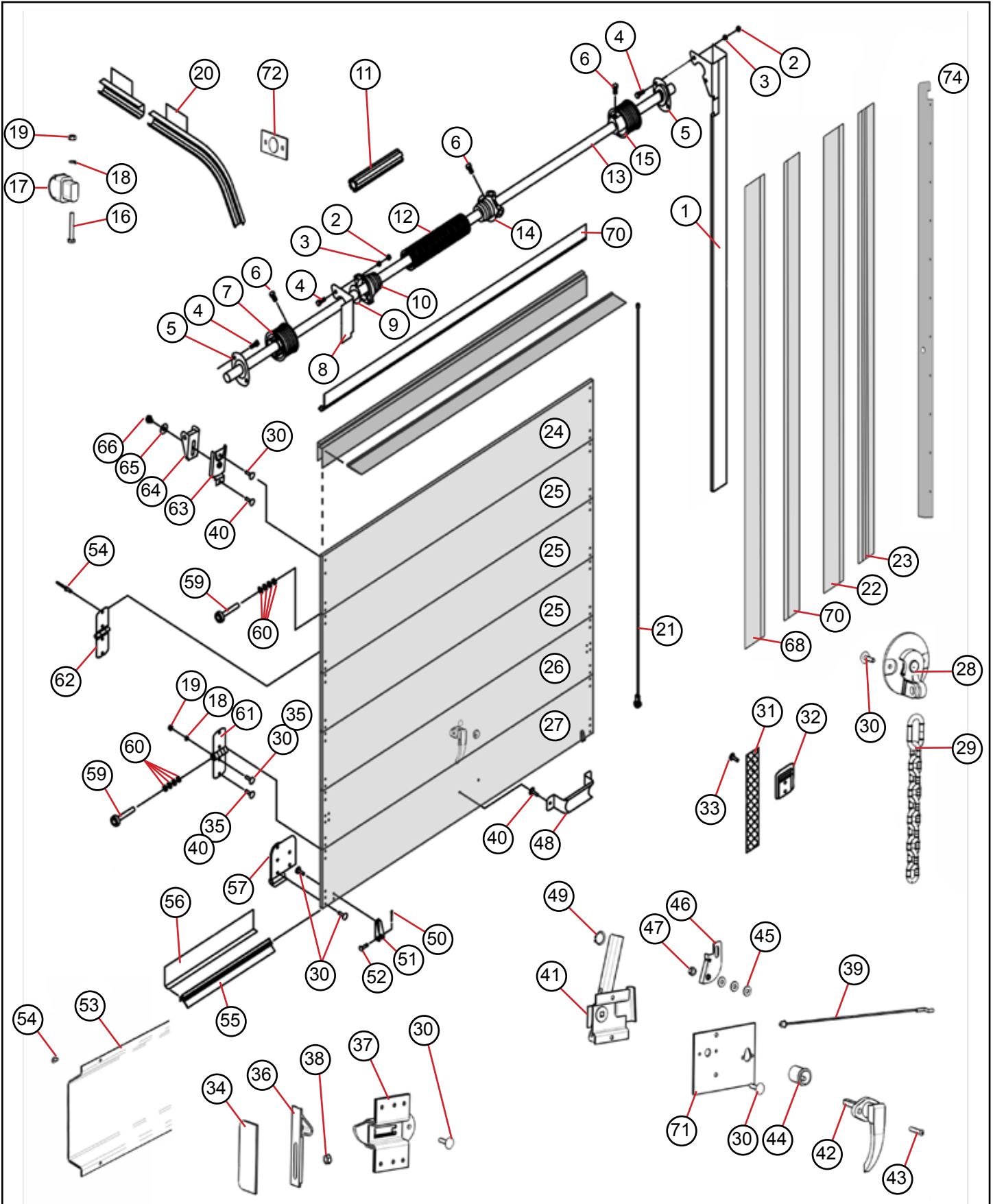
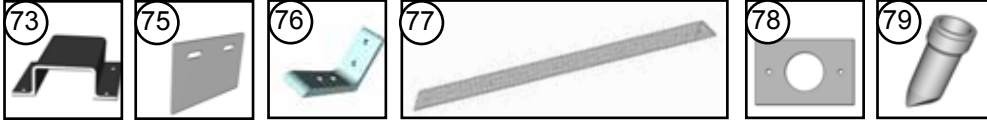


ROLL-UP DOOR SERIAL NUMBER LOCATION

WHEN ORDERING PARTS FOR ROLL-UP DOORS,  
PLEASE PROVIDE THE FOLLOWING INFORMATION.  
THE SERIAL NUMBER LOCATED ON THE INTERIOR TOP PANEL ROADSIDE EDGE.  
THE LENGTH AND HEIGHT OF THE DOOR PANEL(S) TO BE ORDERED.

IN THE EVENT OF A DAMAGED, UN-READABLE OR MISSING SERIAL NUMBER,  
PLEASE TRY TO PROVIDE THE COMPOSITION DETAILS OF THE DOOR PANEL.  
(PLASTIC COATED, ALUMINUM CLAD, PLYWOOD, ETC.)

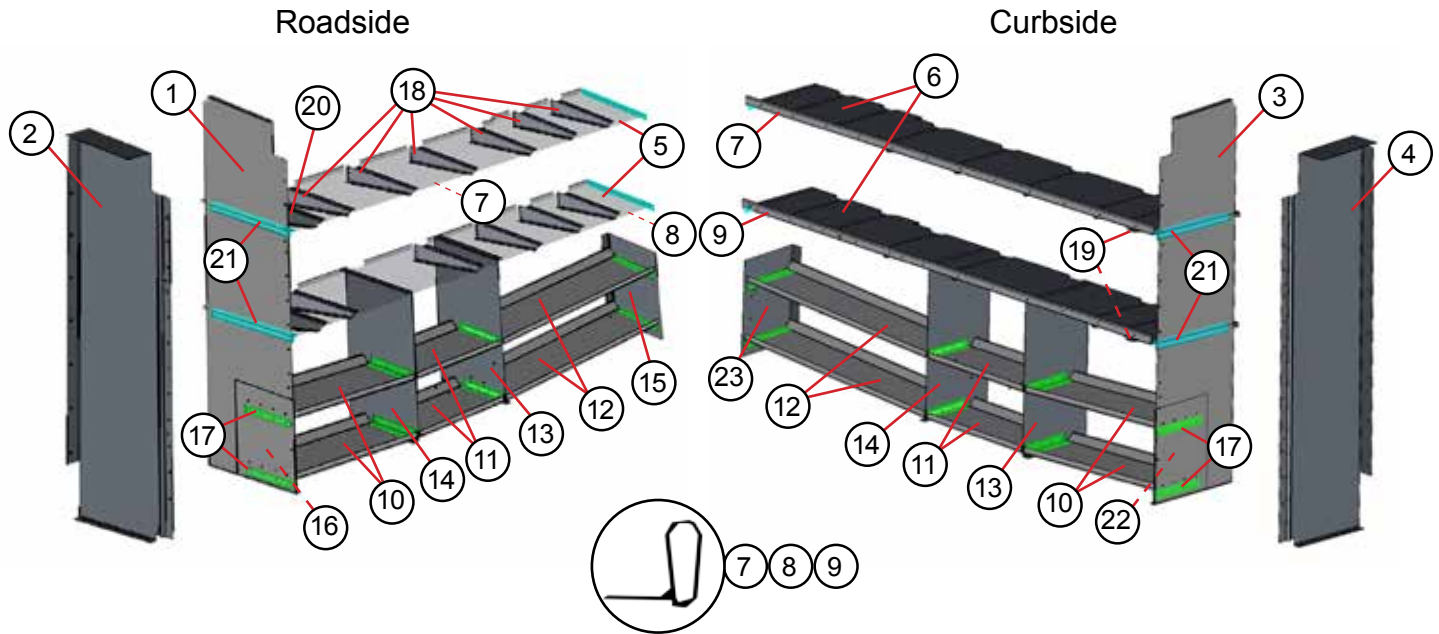




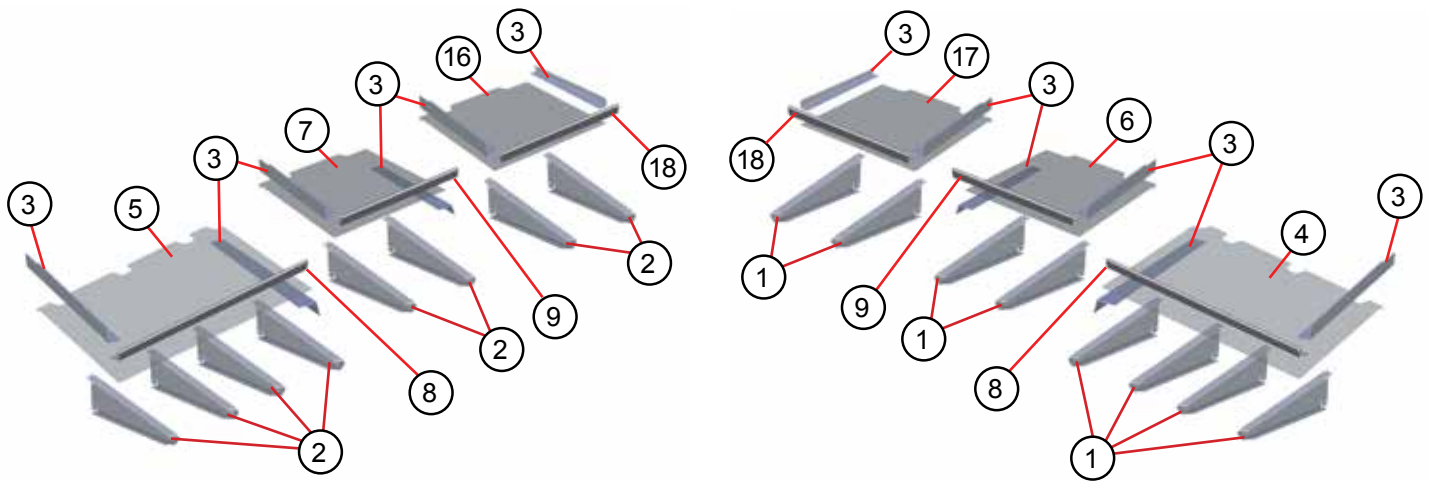


ITEM #	PART #	DESCRIPTION	QTY.	UNIT
	47005893	ROLL-UP DOOR WEATHERTITE 38.25 X 93.15	1	EA
N/S	005774400	MOUNTING ANGLE	2	EA
1	PER S/N	VERTICAL TRACK ASM.- R/H (CURBSIDE)	1	EA
N/S	PER S/N	VERTICAL TRACK ASM.- L/H (ROADSIDE)	1	EA
NS	117073400	TRACK KEYLESS MOD (47009726)	1	EA
2	N/A	HEX NUT - 5/16" NC	6	EA
3	N/A	LOCK WASHER - 5/16"	6	EA
4	N/A	HEX HEAD BOLT - 5/16" NC X 7/8"	6	EA
5	61380	BEARING ASSEMBLY	2	EA
6	47009906	HEX HEAD SET SCREW - 3/8" NC X 7/8"	6	EA
7	1116524	CABLE DRUM - L/H (ROADSIDE)	1	EA
8	61379	SPRING ANCHOR BRACKET	1	EA
9	1116586	BEARING - SPRING ANCHOR PLUG	1	EA
10	47003640	SPRING ANCHOR PLUG - 2 1/2" I.D. SPRING	1	EA
11	N/A	FILLER PLUG - 2 1/2" I.D. SPRING	1	EA
12	47003641	SPRING - 2 1/2" I.D. - #5 X 30" LONG	1	EA
13	47003642	COUNTERBALANCE SHAFT - 58 3/4" LONG	1	EA
14	47003643	SPRING WINDING PLUG - 2 1/2" I.D. SPRING	1	EA
15	1116523	CABLE DRUM - R/H (CURBSIDE)	1	EA
16	N/A	HEX HEAD BOLT - 1/4" NC X 1 3/4"	2	EA
17	47003644	HEAD PROTECTOR	2	EA
18	N/A	LOCK WASHER - 1/4" I.D.	14	EA
19	N/A	HEX NUT - 1/4" NC	14	EA
20	PER S/N	HORIZONTAL TRACK - R/H (CURBSIDE)	1	EA
N/S	PER S/N	HORIZONTAL TRACK - L/H (ROADSIDE)	1	EA
21	61384	CABLE ASSEMBLY - 110" LONG	1	PR
22	47106602	BRUSH SIDE SEAL - 1" X 85.75" LONG	2	EA
23	47003648	BRUSH RETAINER - SIDE SEAL - 87" LONG	2	EA
24	PER S/N	WEATHERTITE TOP PANEL - 10 1/8"	1	EA
25	PER S/N	WEATHERTITE INTERM PANEL - 15"	3	EA
26	PER S/N	WEATHERTITE INTERM LOCK PANEL ASM. -15"	1	EA
27	PER S/N	WEATHERTITE BOTTOM PANEL - 15"	1	EA
28	47003653	SAFETY CHAIN LOCK ASSEMBLY	1	EA
29	76431026	STAINLESS STEEL SAFETY CHAIN W/XM - 3343 SLEEVE	1	EA
30	N/A	RIVET - STAINLESS STEEL - 1 1/8"	28	EA
31	47003674	PULL STRAP - 62" LONG (BLACK)	1	EA
32	47000827	PULL STRAP RETAINER	1	EA
33	N/A	SPLINED CARRIAGE BOLT - 1/4" NC X 1 1/2"	2	EA
34	47003675	CATCH MOUNTING PLATE - R/H (CURBSIDE)	1	EA
N/S	47003676	CATCH MOUNTING PLATE - L/H (ROADSIDE)	1	EA
35	N/A	STEP BOLT - 1/4" NC X 1 1/4" STAINLESS STEEL	8	EA
36	47003677	LOCK CATCH	2	EA
37	47000080	END LATCH - R/H (CURBSIDE)	1	EA
N/S	47000081	END LATCH - R/H (ROADSIDE)	1	EA
38	N/A	FLANGE LOCK NUT - 5/16" NC	4	EA

ITEM #	PART #	DESCRIPTION	QTY.	UNIT
39	47003678	LOCK CABLE ASSEMBLY - 24 - 9/16" LONG	2	EA
40	N/A	RIVET - STAINLESS STEEL - 1" LONG	46	EA
41	47003679	CENTER CONTROL ASSEMBLY	1	EA
42	1116535	PLAIN "L" HANDLE	1	EA
43	N/A	OVAL HEAD MACHINE SCREW - #10 - 32 X 1 1/4"	2	EA
44	47003680	BEST CYLINDER KIT - (NO CORE OR KEYS)	1	EA
45	N/A	FLAT WASHER - 1/4" I.D.	3	EA
46	47000082	TOP CAM CATCH	1	EA
47	N/A	LOCK NUT - 1/4" NC	1	EA
48	1116536	LIFT HANDLE	1	EA
49	47003681	RETAINING RING	1	EA
50	N/A	COTTER PIN - 3/32" DIA.	2	EA
51	47009923	CABLE ANCHOR BRACKET	2	EA
52	1116538	CABLE ANCHOR PIN	2	EA
53	47003682	LOCK COVER - ALUMINUM - 58 1/4" LONG	1	EA
54	N/A	1/4" POP RIVET	30	EA
55	47003683	BOTTOM SEAL - HEAVY DUTY - 58 3/4" LONG	1	EA
56	47003684	BOTTOM ANGLE - 53 3/4" LONG	1	EA
57	47003685	HEAVY DUTY BOTTOM FIXTURE - R/H (CURBSIDE)	1	EA
N/S	47003694	HEAVY DUTY BOTTOM FIXTURE - L/H (ROADSIDE)	1	EA
58	N/A	RIVET - STAINLESS STEEL - 1 1/4" LONG	4	EA
59	61360	ROLLER - SEALED	14	EA
60	47009917	SPACER WASHER - ROLLER	16	EA
61	61419	END HINGE	10	EA
62	61397	CENTER HINGE	10	EA
63	1116531	BASE - ADJUSTABLE TOP FIXTURE	2	EA
64	1116530	SLIDE - ADJUSTABLE TOP FIXTURE	2	EA
65	N/A	FLAT WASHER - 3/8" I.D.	2	EA
66	47009912	E-LOK BOLT - 3/8" NC	2	EA
67	PER S/N	HEAD SEAL RETAINER - 58 3/4" LONG	1	EA
68	PER S/N	BRUSH SIDE SEAL - 1" BRUSH	2	EA
N/S	PER S/N	BRUSH HEAD SEAL - 1-1/2" BRUSH	1	EA
69	N/A	DRIVE RIVET - 3/16" X 15/32" LONG	4	EA
70	47003690	HEAD SEAL RETAINER - 54" LONG	1	EA
N/S	47003691	SIDE RETAINER 86" -LONG	1	EA
71	47003692	BACK PLATE-TWO-POINT LOCK W/BEST CYLINDER	1	EA
72	47003693	TRACK CLOSE-OUT	2	EA
73	98775400	BRACKET SPACER AL .125X4X8.73	1	EA
74	148130400	SUPPORT TRACK AL.125X5.5X96.05	2	EA
75	83024136	PLATE MOUNTING TRACK STEEL 11GAX2.5X4	6	EA
76	92750304	ANGLE CLIP RUD AL 450196X1.5	2	EA
NS	098130400	SHIM RUD AL.25X3X41	1	EA
77	099001455	KICK PLATE DROP FLOOR ALD.08X3.85X28	1	EA
78	97435300	PLATE MOUNTING DRAIN AL .102X2.5X3.75	2	EA
79	47006607	VALVE DRAIN NAV #1675955C1	2	EA

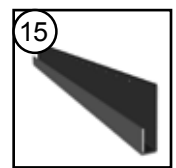
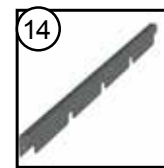
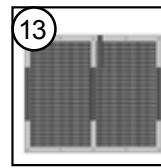
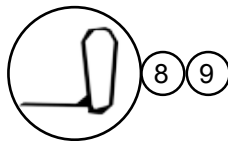
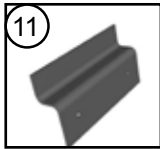
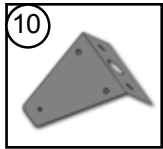


ITEM #	PART #	DESCRIPTION	QTY.	UNIT
1	158105419	PANEL END AL.125X24.08X93.63LH	1	EA
2	158105421	PANEL END AL.102X28.47X99.64LH	1	EA
3	158105420	PANEL END AL.125X24.08X93.63RH	1	EA
4	158105422	PANEL END AL.102X28.47X99.64RH	1	EA
5	158105416	PANEL SHELF AL.102X28.44X143.13LH	2	EA
6	158105417	PANEL SHELF AL.102X28.44X143.13RH	2	EA
7	158105423	SHELF LIP AL450589X143.13	2	EA
8	158105424	SHELF LIP AL450589X143.13	1	EA
9	158105425	SHELF LIP AL450589X143.13	1	EA
10	158105406	PANEL SHELF AL.188X19.81X43.25LH	4	EA
11	158105408	PANEL SHELF AL.188X19.81X36LH	4	EA
12	158105410	PANEL SHELF AL.188X19.81X64.44LH	4	EA
13	158105400	SUPPORT SHELF AL.188X20.5X41.13LH	2	EA
14	158105401	SUPPORT SHELF AL.188X20.5X41.13RH	2	EA
15	158105403	PANEL END FWD AL.188X19.65X24LH	1	EA
16	158105404	PANEL END AFT AL.188X19.65X22.16	1	EA
17	158105437	ANG SUPPORT AL.188X4.31X12.63	16	EA
18	125105416	ARM SHELF AL.125X7.36X21.16LH	11	EA
NS	125105417	ARM SHELF AL.125X7.36X21.16RH	11	EA
19	158105412	SHELF ARM AL.125X8.56X25.67LH	2	EA
20	158105413	SHELF ARM AL.125X8.56X25.67RH	2	EA
21	074024400	STIFFENER TR/FL AL 450180X23	8	EA
22	158105438	PANEL END AFT AL.188X19.65X22.16	1	EA
23	158105405	PANEL END FWD AL.188X19.65X24LH	1	EA

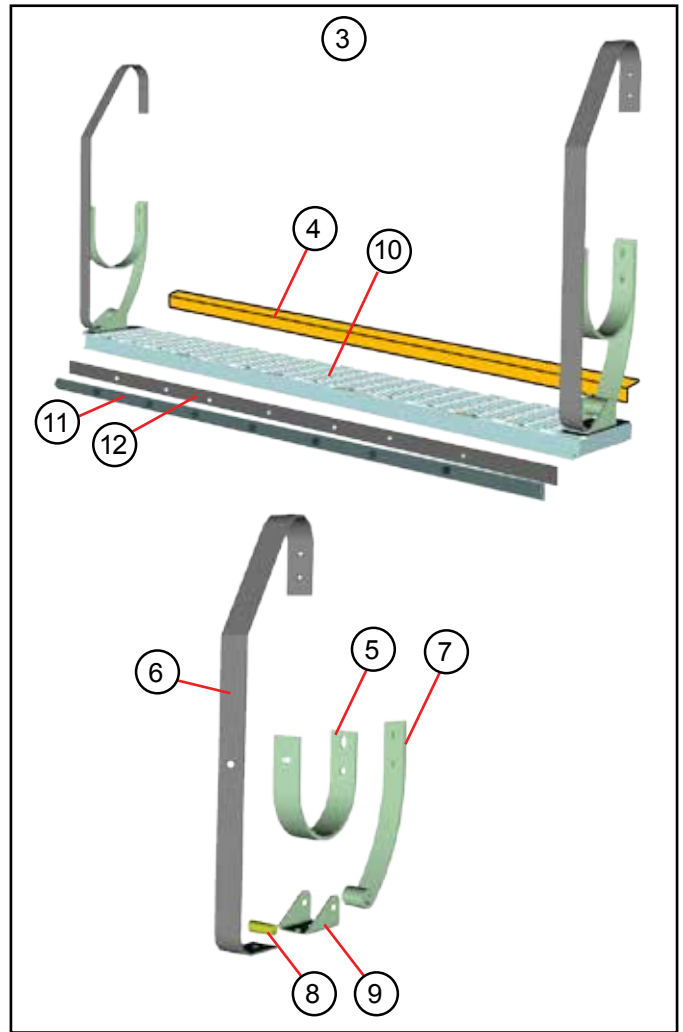
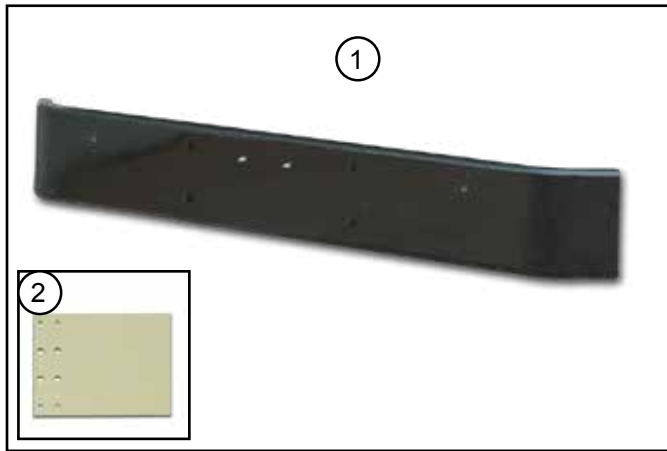


ROADSIDE

CURBSIDE

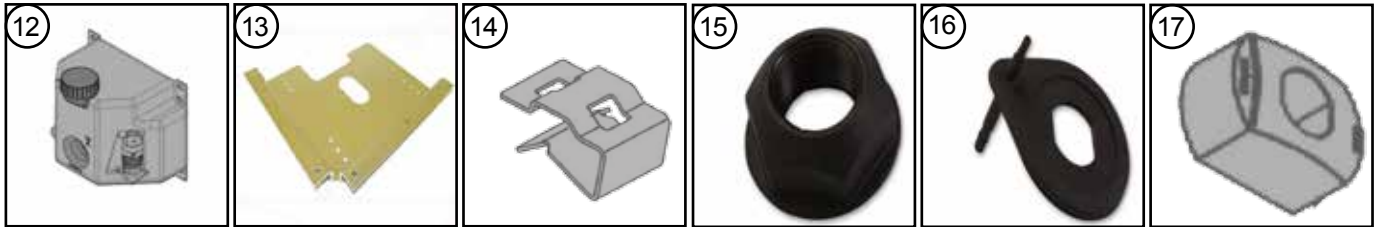
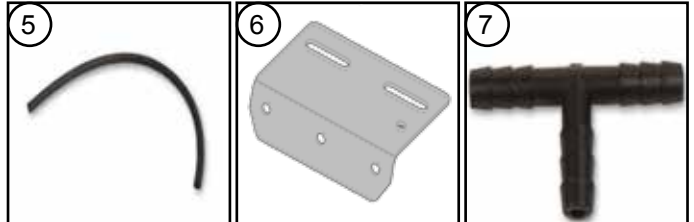
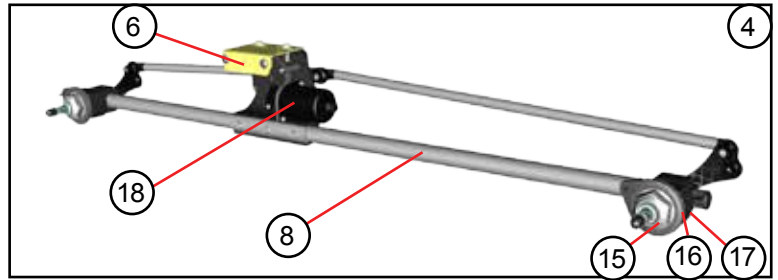
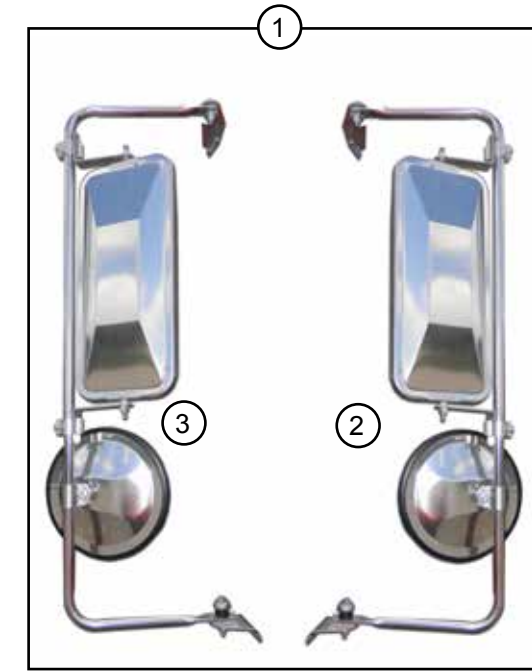


ITEM #	PART #	DESCRIPTION	QTY.	UNIT
1	093105400	SUPPORT SHELF AL.125X7.6X24.6 RH	6	EA
2	093105410	SUPPORT SHELF AL.125X7.6X24.81 LH	6	EA
3	083105407	ANGLE SHELF RR AL 450523X23.25	8	EA
4	158105426	PANEL SHELF RR AL.102X25.26X68.5 RH	1	EA
5	158105428	PANEL SHELF RR AL.102X25.26X68.5 LH	1	EA
6	158105429	PANEL SHELF OVER W/B AL.102X25.26X38.5 RH	1	EA
7	158105430	PANEL SHELF OVER W/B AL.102X25.26X38.5 LH	1	EA
8	158105427	LIP SHELF AL450589X68.5	2	EA
9	158105433	LIP SHELF AL450589X38.5	2	EA
10	093105703	SUPPORT BRACKET STEEL 11GAX4.38X7.56	8	EA
11	998566451	PLATE MOUNTING Z AL.102X3.92X6	2	EA
12	47006020	TIE DOWN RING	52	EA
13	45400503	NET CARGO VELCRO LOWER SHELF	4	EA
14	158127444	HANGER CARGO NET	4	EA
15	107087402	GUARD WIRING REAR AL450006X38	2	EA
16	158105431	PANEL SHELF FORWARD OF W/B AL.102X25.26X30.13 LH	1	EA
17	158105432	PANEL SHELF FORWARD OF W/B AL.102X25.26X30.13 RH	1	EA
18	158105434	LIP SHELF AL450589X30.13	2	EA

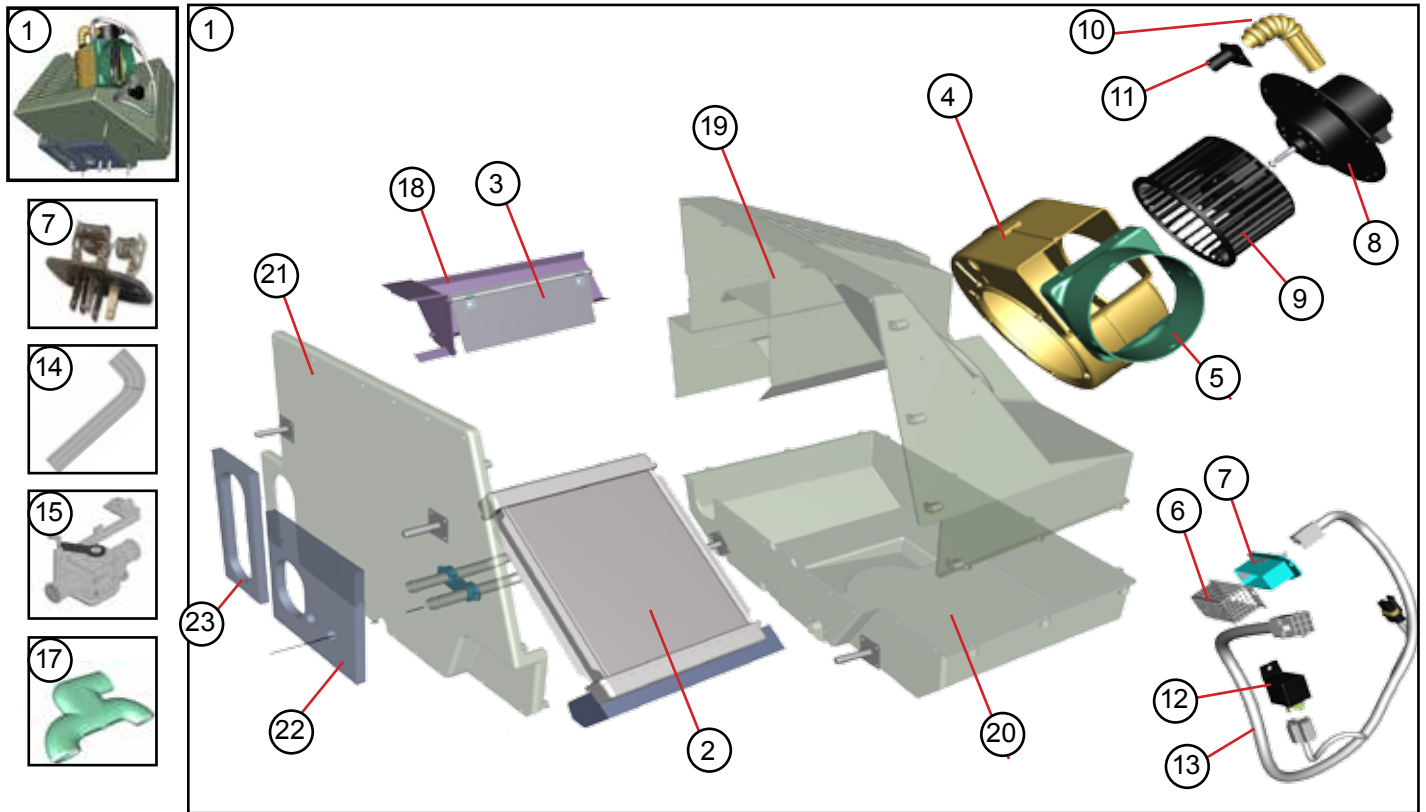


ITEM #	PART #	DESCRIPTION	QTY.	UNIT
1		BUMPER FRONT - SUPPLIED BY CHASSIS MFG.	1	EA
2	95806331	PLATE HANGER BUMPER STEEL .312X11X16.07	2	EA
3	118057002	BUMPER REAR 93W STEEL SGL SPRING	1	EA
4	89857310	ANGLE SILL REAR 86W AL 450191X82	1	EA
5	1101503	SPRING W/BRKT BUMPER MID	2	EA
6	47003995	SPRING BUMPER OUTER	2	EA
7	1101517	SPRING BUMPER INNER 72457014	2	EA
8	1107219	BUSH .5X1X2.38	2	EA
9	72457013	BRACKET BUMPER REAR STEEL7GAX4.88X7.9	2	EA
10	47022600	WELDMENT REAR BUMPER 12" 93W 3LB	1	EA
11	44002020	PROTECTIVE BUMPER RUBBER DX90	1	EA
12	117057400	PLATE BACK BUMPER STEEL14GAX.88X90	1	EA

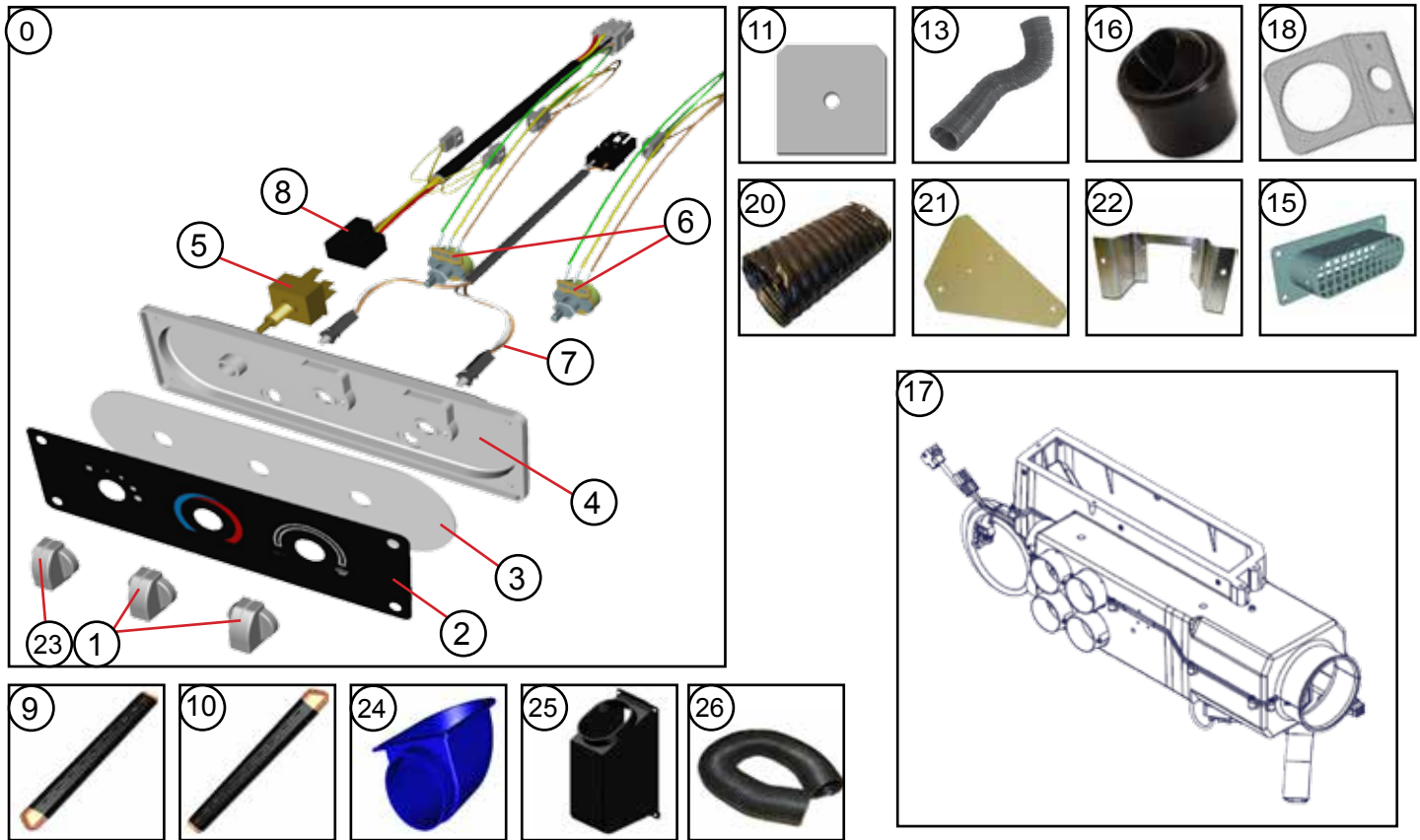




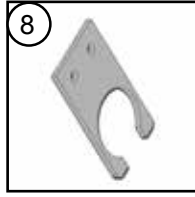
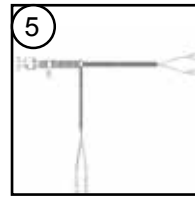
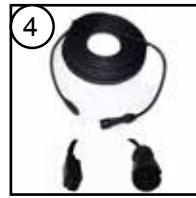
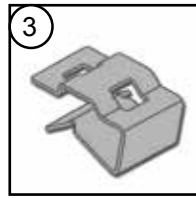
ITEM #	PART #	DESCRIPTION	QTY.	UNIT
1		MIRROR INSTALLATION	1	PR
2	47005641	MIRROR ASSEMBLY LH	1	EA
3	47005642	MIRROR ASSEMBLY RH	1	EA
4	117363001	WINDSHIELD WIPER INSTALLATION (INCLUDES ITEMS 5-8, 15-17)	1	EA
5	1107122	HOSE .188 ID WSW	12	FT
6	083055454	BRACKET WIPER MOTOR	1	EA
7	1101694	TEE WSWA U/T	1	EA
8	47004188	WIPER SYSTEM TBLR 2 PIVOT	1	EA
9	146363002	WIPER ARM WITH BLADE	1	EA
10	47004134	BLADE 24IN BLACK	1	EA
11	47004206	ARM WSW WET 22IN RADIAL BLACK	1	EA
12	47004505	RSVR W/PUMP WSWA	1	EA
13	003705413	BRACKET MOUNTING RSVR	1	EA
14	46021115	CLIP BODY LARGE PAN	1	EA
15	47005901	NUT	2	EA
16	47005902	PIVOT COVER	2	EA
17	47005903	SPACER	2	EA
18	47005900	MOTOR WINDSHIELD WIPER	1	EA
19	47005583	LOOP MIRROR STAINLESS	2	EA



ITEM #	PART #	DESCRIPTION	QTY	UNIT
1	555001014	HEATER ASSEMBLY (INSTALLATION 118080008)	1	EA
2	47008760	HEATER COIL W/GASKET & CLAMP	1	EA
3	47008753	DOOR W/SEAL	1	EA
4	47008754	BLOWER HOUSING	1	EA
5	47008755	BLOWER ADAPTER	1	EA
6	47008732	RESISTER CAGE	1	EA
7	47008357	RESISTER	1	EA
8	47008756	BLOWER MOTOR	1	EA
9	47008757	BLOWER WHEEL	1	EA
10	47008730	VENT TUBE	1	EA
11	47008731	VENT TUBE ADAPTOR	1	EA
12	47008716	RELAY	1	EA
13	47008758	HARNESS	1	EA
14	47008580	FORMED HEATER HOSE	2	EA
15	555002053	VALVE WAT	1	EA
NS	098080004	DUCT FT DUMP SPCL	1	EA
17	090080401	DUCT FT DUMP SPCL	1	EA
18	N/A	AC PARTITION - PART OF HEATER ASSEMBLY	1	EA
19	N/A	HOUSING UPPER - PART OF HEATER ASSEMBLY	1	EA
20	N/A	HOUSING LOWER - PART OF HEATER ASSEMBLY	1	EA
21	N/A	HOUSING BACK - PART OF HEATER ASSEMBLY	1	EA
22	21-01201	GASKET - PART OF HEATER ASSEMBLY	1	EA
23	21-01202	GASKET - PART OF HEATER ASSEMBLY	1	EA

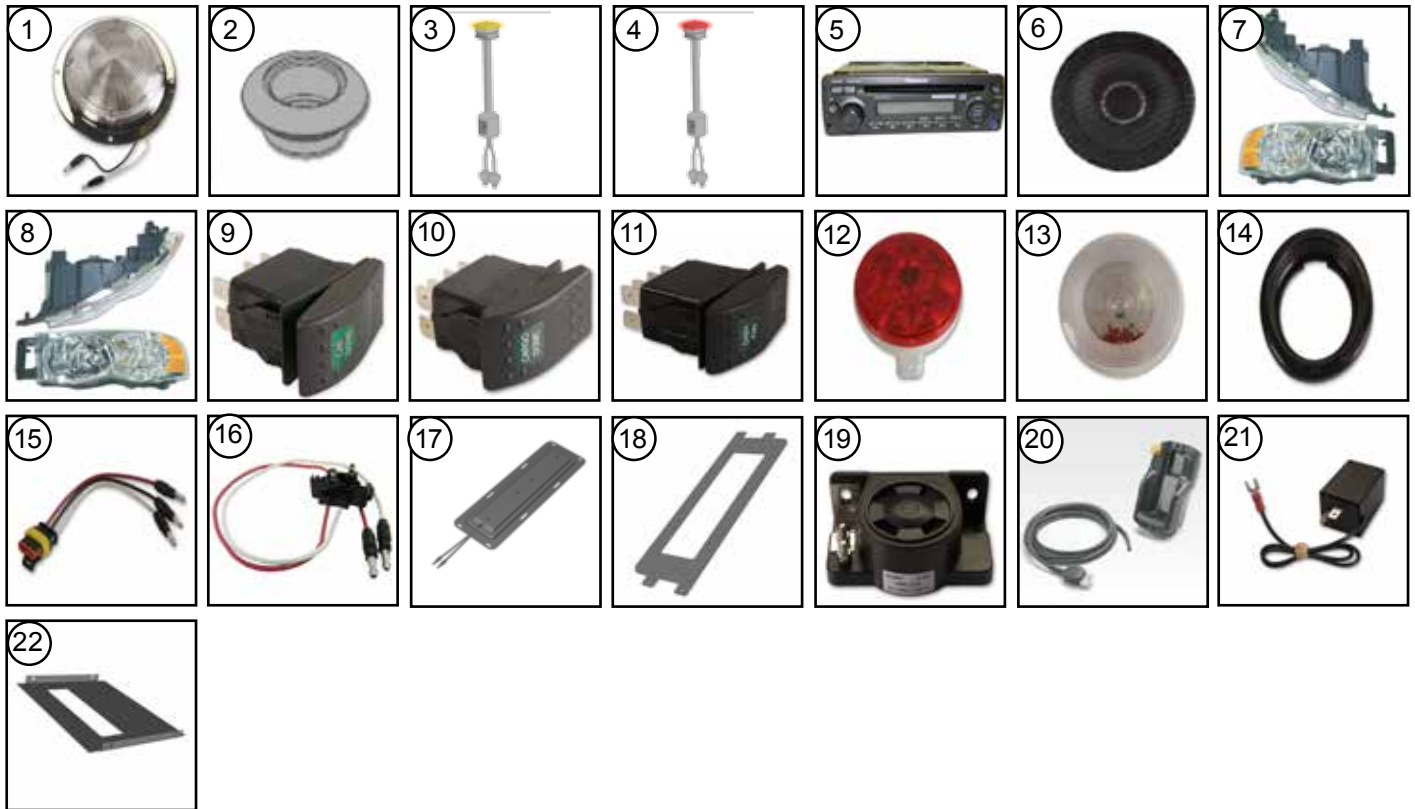


ITEM #	PART #	DESCRIPTION	QTY	UNIT
0	555001413	CONTROL PANEL ASSEMBLY	1	EA
1	47008706	KNOB	2	EA
23	47008735	KNOB	1	EA
2	47008707	DECAL	1	EA
3	47008708	LIGHT PANEL	1	EA
4	47008709	CONTROL SUB PANEL	1	EA
5	47008700	BLOWER SWITCH	1	EA
6	47008710	POTENTIOMETER SWITCH	2	EA
7	47008711	HARNES ILLUMINATION W/BULBS	1	EA
8	47008712	HARNES BLOWER MOTOR	1	EA
9	555001723	DEFROST DUCT CURBSIDE METAL	1	EA
10	555001724	DEFROST DUCT ROADSIDE METAL	1	EA
11	093080400	HOLD DOWN PLATE DEFROSTER DUCTS	4	EA
13	555001523	HOSE DEFROSTER 2.5X16	1	EA
13	555001525	HOSE DEFROSTER 2.5x38	2	EA
15	555002003	COLLER FRESH AIR INTAKE	1	EA
16	555001715	LUVER BALL	6	EA
17	555001321	DUCT HVAC	1	EA
18	107027405	BRACKET HEATER VENT	1	EA
20	555001533	HOSE BLOWER HEATER/DEFROSTER 5"X7.5"	1	EA
21	005780402	MOUNTING PLATE	1	EA
22	002080400	BRACKET HEATER CONTROL AL .102X3X11.67	1	EA
24	555002005	PLENUM FRESH AIR HVAC TOEBOARD	1	EA
25	555002006	PLENUM FRESH AIR HVAC SIDE WALL	1	EA
26	555001532	HOSE FRESH AIR HVAC 4" DIA	1	EA



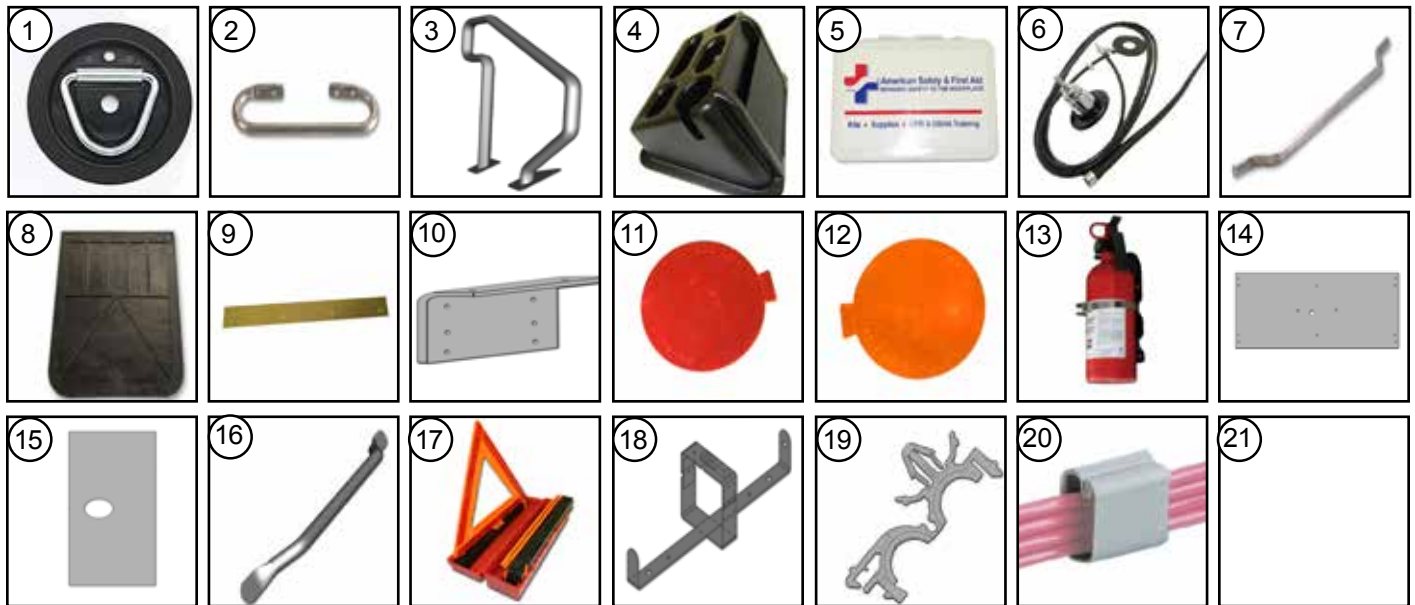
ITEM #	PART #	DESCRIPTION	QTY.	UNIT
1	46030011	FAN 2SPEED NO SWITCH 270CFM	1	EA
2	46023605	SWITCH ROCKER DASH FAN SPDT ON-OFF-ON	1	EA
3	46021115	CLIP LARGE BODY (SAME AS 005392206)	1	EA
3	46021114	CLIP MEDIUM BODY (SAME APPEARANCE AS ITEM 3)	1	EA
4	48200025	HARNESS - REAR CAMERA TO MONITOR 40FT	1	EA
5	46025591	HARNESS - SPEAKER WIRING	1	EA
NS	006385205	HARNESS - HOOD FBG M2 FCC 93W	1	EA
NS	147391200	HARNESS - ROOF NOSE	1	EA
NS	098084202	HARNESS - FUSE CENTER	1	EA
NS	098084203	HARNESS - INSTRUMENT PANEL	1	EA
NS	093093203	HARNESS - ROOF 21/24FT6IN M100	1	EA
NS	100081201	HARNESS - REAR LIGHTS S/T/T/ W/LOOM LED	1	EA
NS	100081202	HARNESS - ASSEMBLY ALARM B/U W/LOOM INCAN	1	EA
NS	093093205	HARNESS - TRANSOM CHMSL READY	1	EA
NS	148084200	HARNESS - COM CENTER FCC 2011	1	EA
NS	007381203	HARNESS - MID BODY MARKER	1	EA
NS	142086200	HARNESS - REAR WRG LH BACK PANEL D/FLR	1	EA
NS	142086201	HARNESS - REAR WRG RH BACK PANEL D/FLR	1	EA
NS	46010845	HARNESS - BACKUP ALARM	1	EA
NS	090093202	HARNESS JUMPER CARGO DOME LAMP	1	EA
NS	110094201	HARNESS - MONITOR MOD SVLCD MON	1	EA
NS	48200114	MONITOR BACK UP 5.6" CLR LCD DEKIT	1	EA
NS	46003017	LAMP INT WIPER	1	EA
NS	008300401	LABEL FUSE BLOCK FCC 2012 CURBSIDE	1	EA
NS	008300402	LABEL FUSE BLOCK FCC 2012 ROADSIDE	1	EA
NS	46023310	SWITCH WIPER INT SGL MTR D/PK W/WASH	1	EA
6	1111001	LAMP LICENSE PLATE SS 9369W	1	EA
7	46024513	ALARM BACK-UP	1	EA
8	090087401	PLATE FILLER WIRING	2	EA
NS	007388300	HARNESS JUMPER Y 1WR P&P X6 BACK UP ALARM	2	EA

**SEE PAGE 34 FOR WIRING HARNESS DIAGRAMS**

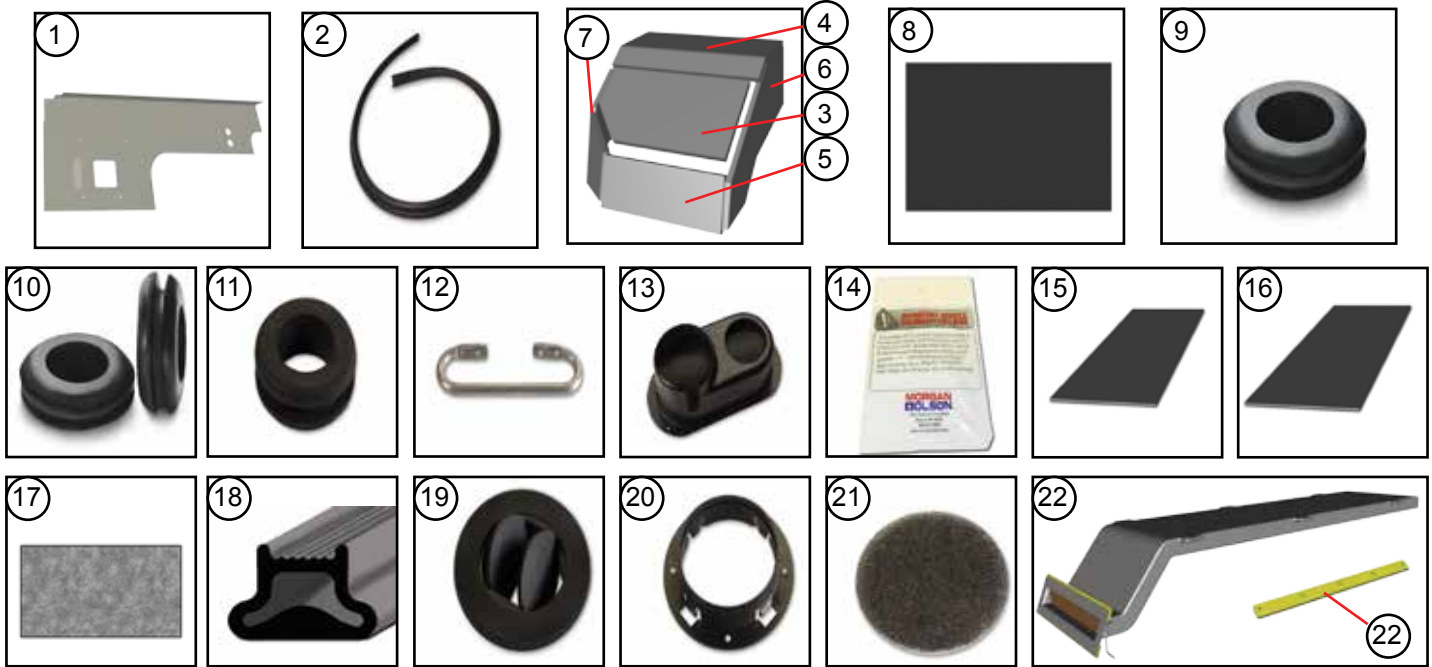


ITEM #	PART #	DESCRIPTION	QTY.	UNIT
1	46002634	LAMP DOME CLEAR CHROME (CAB) (BRACKET-100092400)	1	EA
2	46001342	GROMMET FOR CLEARANCE MARKERS	1	EA
3	46001339	LAMP CLEARANCE MARKER LED PC - AMBER X7	1	EA
3	46001344	LAMP CLEARANCE MARKER LED PC - AMBER X1	1	EA
3	46001362	LAMP CLEARANCE MARKER LED PC - AMBER X1	1	EA
4	46001340	LAMP CLEARANCE MARKER LED NO PC - RED X7	1	EA
5	46025594	RADIO AM/FM/WB/RBDS JEN	1	EA
6	46025590	SPEAKER 6.5 IN.	1	PR
7	46000307	HEADLAMP CURBSIDE	1	EA
8	46000308	HEADLAMP ROADSIDE	1	EA
9	46023508	SWITCH ROCKER CAB DOME SPST ON-OFF	1	EA
10	46023603	SWITCH ROCKER FRONT CARGO DOME SPDT ON-ON	1	EA
11	46023605	SWITCH ROCKER DASH FAN SPDT ON-OFF-ON	1	EA
12	46002222	LAMP REAR COMB LED	1	EA
13	46001406	LAMP B/U SEALED	1	EA
14	46004402	GROMMET 4" ROUND BLACK	1	EA
15	46012046	PIGTAIL STOP/TURN/TAIL LED	1	EA
16	46012048	PIGTAIL BACKUP LED IN	1	EA
17	46002638	LAMP DOME CARGO LED (DOME LAMP CAB - 46002636)	1	EA
18	100092401	BRACKET DOME LAMP	1	EA
19	46024513	ALARM BACK UP	1	EA
20	CFVCD5500	CHARGING DOCK MOTOROLA VCD5500	1	EA
21	46026380	FLASHER FOR TTL LED	1	EA
NS	128023001	TRANSPONDER FSTNR I 7" CTRS	1	EA
22	090091403	BRACKET DOME LAMP CAB AL .102X19.25X25.32	1	EA





ITEM #	PART #	DESCRIPTION	QTY.	UNIT
1	47006020	TIEDOWN RING (SUPPORT ANGLE AL450194X54 - 096127422)	26	EA
2	90187300	GRAB HANDLE .5DIAX15.7	3	EA
3	47001056	RAIL GRAB RH TOEBOARD (SUPPORT ANGLE 001731405)	1	EA
NS	48200114	MONITOR B/U 5.6" CLR LCD DEKIT	1	EA
4	47009626	CENTER CONSOLE CONVENIENCE CENTER	1	EA
5	007301001	FIRST AID KIT - DSL/GAS W/O LOGO US RSK	1	EA
6	46025559	ANTENNA TP/SI MITO #10-CAM1CRM0	1	EA
7	98150310	GRAB HANDLE AL 450243X26.38 QTY 2	1	EA
8	1107309	MUD FLAPS 24X36 BLACK NO LOGO 1 PAIR	1	EA
9	7504428	RETAINER MUD FLAPS	1	EA
10	80795014	ANGLE RETAINER MUD FLAPS	1	EA
11	46025017	REFLECTOR RED SPITFIRE 2.88 DIA. X4	1	EA
12	46025018	REFLECTOR AMBER SPITFIRE 2.88 DIA. X2	1	EA
13	47009621	FIRE EXTINGUISHER W/BRACKET & MET STRAP	1	EA
14	100092400	BRACKET DOME LAMP MOUNTING (3 LOAD / 1 CAB)	1	EA
NS	95801001	TIE DOWN KIT	1	EA
15	78331095	PLATE TIE DOWN	1	EA
16	47001063	GRAB 1" AL 31.875L 2.75DP ANZ	1	EA
17	47009547	REFLECTOR KIT - TRIANGLES	1	EA
18	47009548	BRACKET REFLECTOR FLARE KIT	1	EA
19	46021301	CLAMP LOOM PUSH IN QTY-13	1	EA
20	47006615	CLIP WIRE GUIDES .75X.75 (1x1.5 - 47006617)	1	EA
21			1	EA



ITEM #	PART #	DESCRIPTION	QTY.	UNIT
1	093116410	INSULATION DASH WALL	1	EA
2	1107270	SEAL ENGINE BOX LID	8	FT
3	098028401	ENGINE BOX INSULATION 42002056X13.55X28.25	1	EA
4	098005404	ENGINE BOX INSULATION 42002056X14.28X31.29	1	PR
5	098005405	ENGINE BOX INSULATION 42002056X15.09X33.05	1	EA
6	098005406	ENGINE BOX INSULATION 42002056X21.25X30.59	1	EA
7	098005407	ENGINE BOX INSULATION 42002056X19.58X30.72	1	EA
8	42002055	SOUND ABSORBING FLOOR MAT 60X95	0	EA
9	1107109	GROMMET AN#931-A6-10	1	EA
10	44000052	GROMMET A/I#2866	5	EA
11	46004416	GROMMET 1ID .25 MATERIAL THICKNESS	1	EA
12	90187300	GRAB HANDLE .5DIAX15.7	3	EA
13	42007001	CUP HOLDER	0	EA
14	43004362	BAG PLASTIC DOCUMENT WALK-IN	1	EA
15	098137401	PLATE STEP FBG .125X7.75X22	1	EA
16	45400509	PLATE STEP FBG .125X10.38X22	1	EA
17	098137406	PLATE STEP FBG .125X10X16	3	EA
18	44004104	SEAL RUBBER FORWARD DOOR X89.25	2	EA
19	47008547	LUVER ROUND 3.12	2	EA
20	47008546	PANEL MOUNTING LUVER 3.12	2	EA
21	48000504	FILTER FM .25THKX4DIA	2	EA
22	47008802	DUCT VENT CAB / CARGO	1	EA
23	94010316	REINFORCEMENT VENT	2	EA
NS	007300098	FIC SIDE CART LOADING	1	EA
NS	47106593	SEAL SIDE RUBBER WTG#5377X93	2	EA

PAGE#	PART #	DESCRIPTION	QTY.	UNIT
34	48200025	HARNESS - REAR CAMERA TO MONITOR 40FT	1	EA
35	006385205	HARNESS - HOOD FBG M2 FCC 93W	1	EA
36	007381203	HARNESS - MID BODY MARKER	1	EA
37	007388300	HARNESS - JUMPER Y 1WR P&P X6 BACK UP ALARM	2	EA
38-39	147391200	HARNESS - ROOF NOSE	1	EA
40	46010845	HARNESS - BACKUP ALARM	1	EA
41	46025591	HARNESS - SPEAKER WIRING	1	EA
42	090093202	HARNESS - JUMPER CRG DOME LAMP	1	EA
43	142086200	HARNESS - REAR WRG LH BACK PANEL D/FLR	1	EA
44	142086201	HARNESS - REAR WRG RH BACK PANEL D/FLR	1	EA
45-46	093093203	HARNESS - ROOF 21/24FT6IN M100	1	EA
47	093093205	HARNESS - TRANSOM CHMSL READY	1	EA
48-51	098084203	HARNESS - INSTRUMENT PANEL	1	EA
52	100081201	HARNESS - A S/T/T/ W/LOOM LED	1	EA
53	100081202	HARNESS - ALARM B/U W/LOOM INCAN	1	EA
54	110094201	HARNESS - MONITOR MOD SVLCD MON	1	EA
55-56	148084200	HARNESS - COM CENTER FCC 2011	1	EA
57	098084202	HARNESS - FUSE CENTER	1	EA
NS	47004506	HARNESS - PIGTAIL PUMP WINDSHIELD WASHER	1	EA



# 006385205 HARNESS HOOD

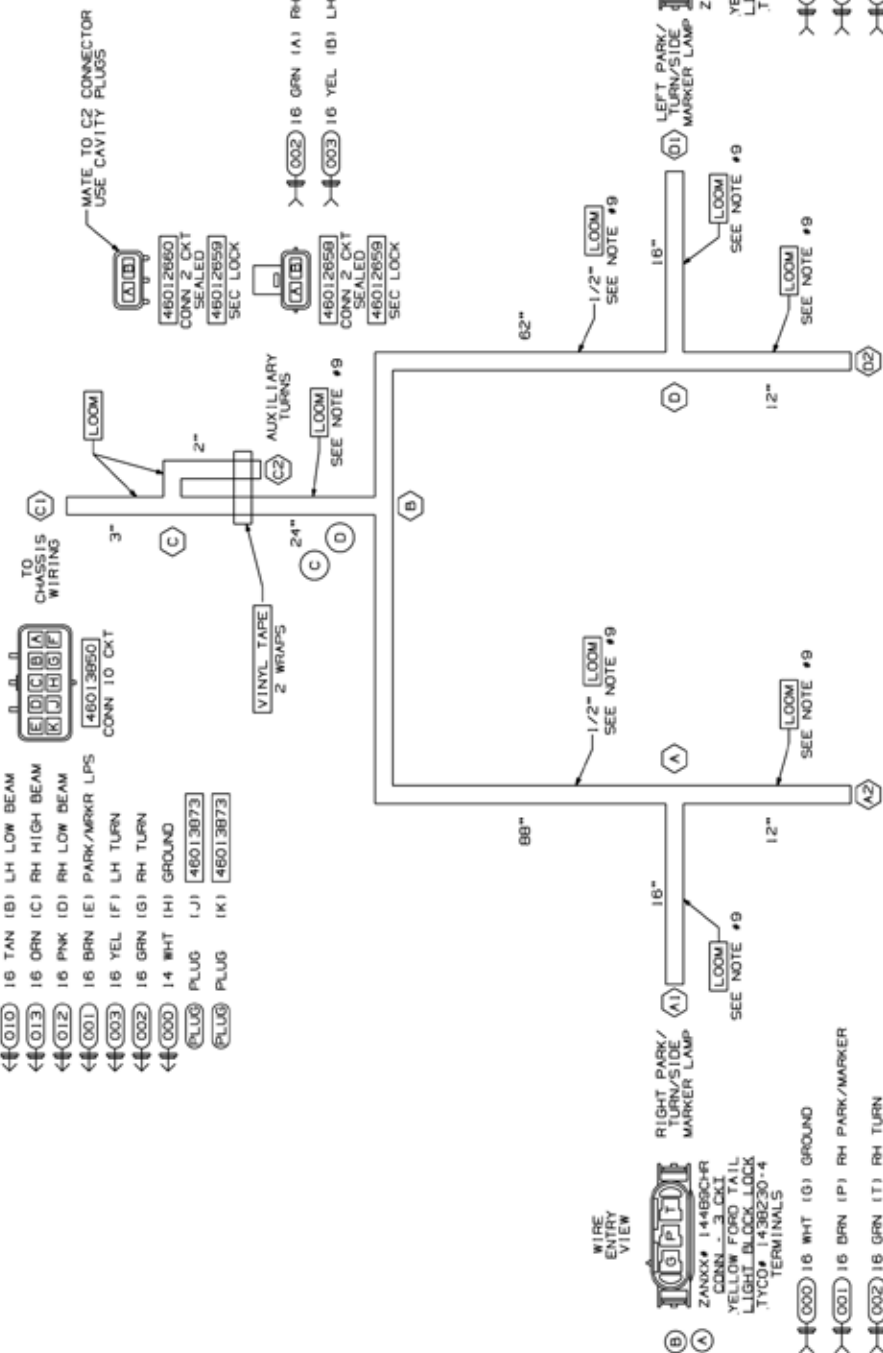
# 006385205 HARNESS HOOD

DRAWING NO.	REV	DATE	BY
006385205	D		J.O.P.L.
DESCRIPTION			
A	RELEASE TO PRODUCTION		
B	MATERIAL GRAPHIC UPDATED		
C	18" WAS 9" AT 18"		
D	24" WAS 18"		

CIRCUIT	DESCRIPTION	END POINTS	FUNCTION
000	14/16 WHT	A1, A2, C1, D1, D2	GROUND
001	16 BRN	A1, C1, D1	PARK/MARKER
002	16 GRN	A1, C1, C2	RH TURN
003	16 YEL	C1, C2, D1	LH TURN
010	16 TAN	C1, D2	LH LOW BEAM
011	16 RED	C1, D2	LH HIGH BEAM
012	16 Pnk	A2, C1	RH LOW BEAM
013	16 GRN	A2, C1	RH HIGH BEAM

- 011 16 RED (A) LH HIGH BEAM
- 010 16 TAN (B) LH LOW BEAM
- 003 16 GRN (C) RH HIGH BEAM
- 002 16 Pnk (D) RH LOW BEAM
- 001 16 BRN (E) PARK/MARKER LPS
- 003 16 YEL (F) LH TURN
- 002 16 GRN (G) RH TURN
- 000 14 WHT (H) GROUND

- PLUG PLUG (J) 46013073
- PLUG PLUG (K) 46013073



- SPLIT POLYPROPYLENE LOOM, BACK WITH GREEN STRIPE OR NYLON, BLACK WITH GRAY STRIPE. ADVISE TO USE THE SMALLEST PRACTICAL SIZE UNLESS OTHERWISE SPECIFIED ON THE DRAWING.
- VENDOR MAY REPLACE THE APPROVED MOLDINGS OR CONNECTORS. PIGTAILS SHOWN IN TERMINAL VIEW.
- HARNESS TO BE TESTED FOR CONTINUITY, SHORTS, AND CONTINUITY.
- CONNECTORS SHOWN FROM WIRE ENTRY SIDE, UNLESS OTHERWISE NOTED.
- SPLICES TO BE AUTOMATED WITH HEAT SHRINK TUBING. HEAT SHRINK BUTT SPLICES ARE ACCEPTABLE FOR M-O FABRICATION IF NECESSARY.
- TAPE (111098): 6" AT BREAKOUTS AND 2" AT LOOM ENDS.
- HARNESS TO HAVE A LABEL SHOWING MORGAN OLSON PART NUMBER, REVISION MANUFACTURE.
- SPLIT POLY LOOM UNLESS OTHERWISE NOTED.
- GXL WIRE.

NOTES:  
 PROPRIETARY  
 THIS HARNESS IS THE PROPERTY OF MORGAN OLSON. IT IS TO BE USED ONLY FOR THE PURPOSES INTENDED BY MORGAN OLSON. IT IS NOT TO BE REPRODUCED, COPIED, OR TRANSMITTED IN ANY FORM OR BY ANY MEANS, ELECTRONIC OR MECHANICAL, INCLUDING PHOTOCOPYING, RECORDING, OR BY ANY INFORMATION STORAGE AND RETRIEVAL SYSTEM. WITHOUT THE WRITTEN PERMISSION OF MORGAN OLSON, ALL RIGHTS ARE RESERVED.

<b>MORGAN OLSON</b>	
DATE	23MAY06
TIME	05:0857
SCALE	DO NOT SCALE
SCALE	RSK
SCALE	HARN HOOD F/G
SCALE	MZ FCC 2006
SCALE	006385205
SCALE	NONE
SCALE	D

HARNESS AND LOOM TOLERANCES
UP TO 60" : -0/+2"
60" TO 100" : -0/+4"
100" TO 200" : -0/+5"
200" TO 400" : -0/+6"
400" TO 600" : -0/+7"
OVER 600" : -0/+8"
BO TO BO : -0/+2"
TOLERANCE IS NOT ACCUMULATIVE. LENGTH APPLIES TO OVERALL HARNESS LENGTH, BREAKOUT TO END, OR LOOM.



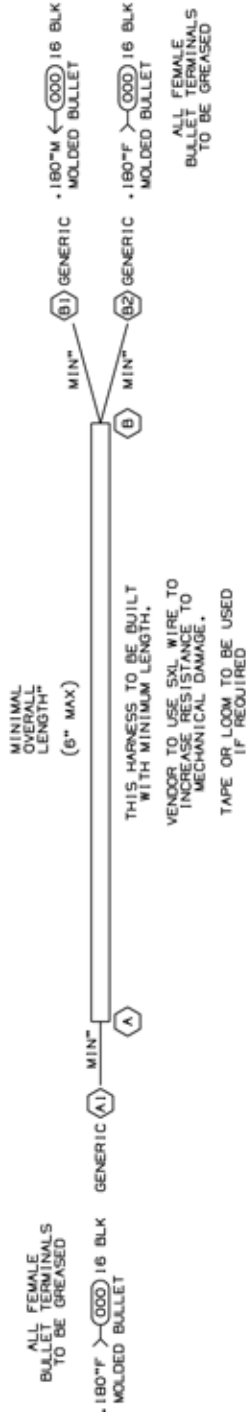


# 007388300 JUMPER 6" "Y"

# 007388300 JUMPER 6" "Y"

DRAWING NO.		REV	SHT
007388300			1 OF 1
REV.	DESCRIPTION	DATE	BY
	RELEASE TO PRODUCTION		

CIRCUIT	DESCRIPTION	END POINTS	FUNCTION
000	16 BLK	A1, B1, B2	GENERIC



8. VENDOR MAY REPLACE PIGTAILS WITH WIRING TO APPROVED MOLDINGS OR CONNECTORS. PIGTAILS SHOWN IN TERMINAL VIEW.
7. HARNESS TO BE TESTED FOR CONTENT, OPENS, SHORTS, AND CONTINUITY.
6. CONNECTORS SHOWN FROM THE INSIDE UNLESS OTHERWISE NOTED.
5. SPLICES TO BE AUTOMATED WITH HEAT-SHRINK TUBING. HEAT-SHRINK BUTT SPLICES ARE ACCEPTABLE FOR FIELD FABRICATION IF NECESSARY.
4. TAPE (1111098) 8" AT BREAKOUTS AND 2" AT LOOM ENDS.
3. HARNESS TO HAVE A LABEL SHOWING MORGAN OLSON PART NUMBER, REVISION LEVEL, AND DATE OF MANUFACTURE.
2. SPLIT POLY LOOM UNLESS OTHERWISE NOTED.

### 1. SXL WIRE.

NOTES:

### PROPRIETARY

This drawing and the information and data contained hereon are the property of Morgan Olson and shall remain the property of Morgan Olson. No part of this drawing may be reproduced, stored in a retrieval system, or transmitted in any form or by any means, electronic, mechanical, photocopying, recording, or by any information storage and retrieval system, without the prior written permission of Morgan Olson.

## MORGAN OLSON

MORGAN OLSON SERVICE PARTS		REV. 1.000	
1. PARTS & SXL WIRE		REV. 1.000	
2. FOR ALL PARTS AND SXL WIRE CONTACT MORGAN OLSON			
3. ALL DIMENSIONS ARE IN INCHES UNLESS OTHERWISE NOTED			
TMC	TMC	DATE	BY
		09JUL07	09JUL07
DO NOT SCALE			
HARNESS JUMPER 6" "Y" (180P TO 180F/180N)		SCALE	
SHT	DRAWING NO.	REV.	
1 OF 1	007388300	NONE	

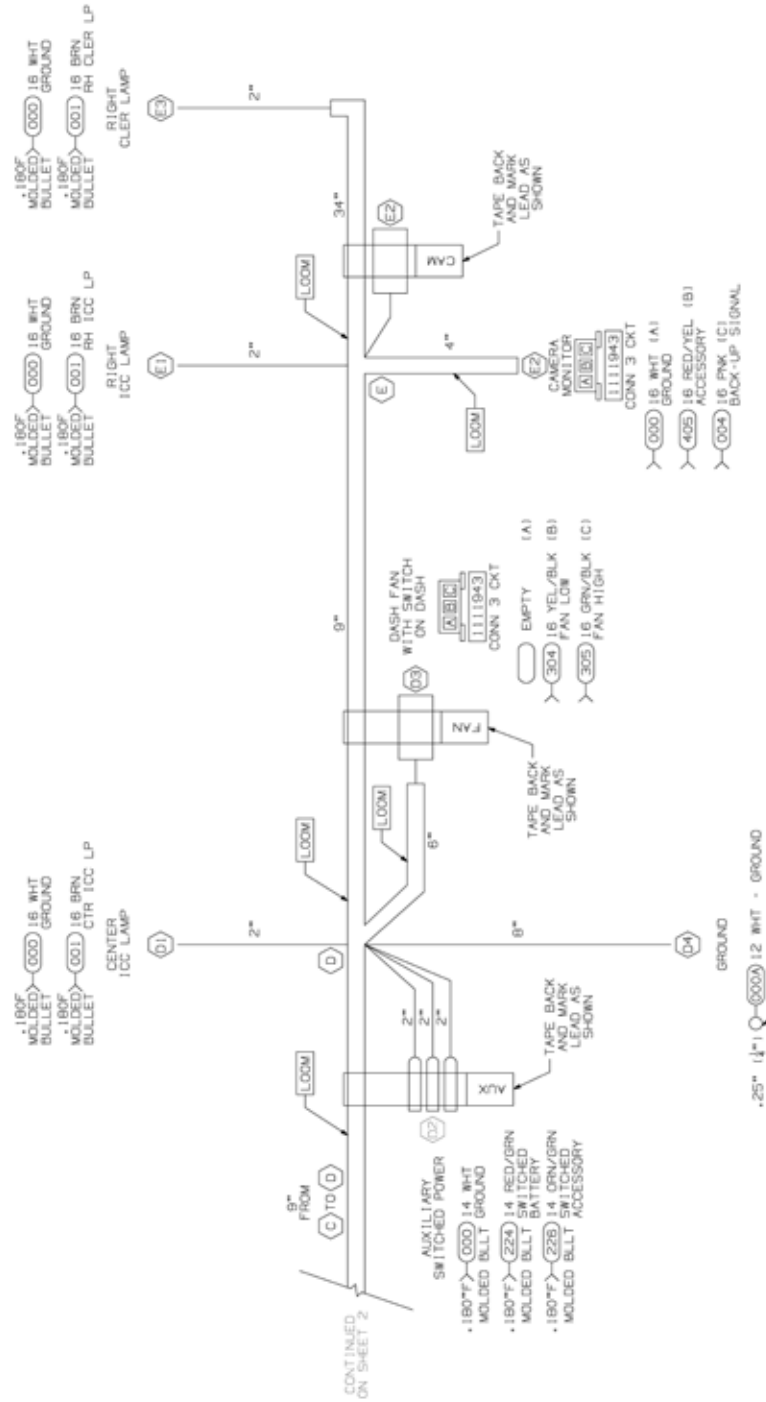
HARNESS AND LOOM TOLERANCES	
UP TO 60"	= -0/+2"
60" TO 100"	= -0/+4"
100" TO 200"	= -0/+5"
200" TO 400"	= -0/+8"
400" TO 600"	= -0/+7"
OVER 600"	= -0/+8"
BO TO BO	= -0/+2"
TOLERANCE IS NOT APPLICABLE TO OVERALL HARNESS LENGTH, BREAKOUT TO END, OR LOOM.	

FIRST USE: BASIC CIRCUIT SPLITTER

# 147391200 1/2 ROOF NOSE

# 147391200 1/2 ROOF NOSE

PRINTING NO.	REV	SHT
147391200	REL	1 of 2
DESCRIPTION		
RELEASE FOR PRODUCTION		



10. VENDOR TO GREASE FEMALE BULLET TERMINALS.
9. THIS IS A PURCHASED HARNESS. NO BULL OF MATERIAL EXISTS.
8. VENDOR MAY REPLACE PIGTAILS WITH WIRING TO CONDUIT MOLDED CONNECTORS. PIGTAILS SHOWN IN TERMINAL VIEW.
7. HARNESS TO BE TESTED FOR CONTINUITY, SHORTS, AND CONTINUITY.
6. CONNECTORS SHOWN FROM WIRE ENTRY SIDE, UNLESS OTHERWISE NOTED.
5. SPLICES TO BE AUTOMATED WITH SOLDER, AND ADHESIVE LINED HEAT SHRINK TUBING.
4. TAPE [1111090] 6" AT BREAKOUTS. AT 18\"/>

NOTES:  
 1. GXL WIRE.  
 2. SPLIT POLY LOOM UNLESS OTHERWISE NOTED.

PROPRIETARY  
 MORGAN OLSON

DATE	BY	CHKD
11MAR14	11MAR14	42844
DO NOT SCALE		
HARN. ROOF NOSE 91" HIGH		

HARNES AND LOOM TOLERANCES
UP TO 80" = -0/+2"
80" TO 100" = -0/+4"
100" TO 200" = -0/+5"
200" TO 400" = -0/+6"
400" TO 600" = -0/+7"
OVER 600" = -0/+8"
80 TO 80" = -0/+2"

LENGTHS APPLY FROM BREAKOUT TO BREAKOUT. ENTRY SIDE OF CONNECTOR, OR END OF COVER.

BASED ON 007391210

# 147391200 2/2 ROOF NOSE

# 147391200 2/2 ROOF NOSE

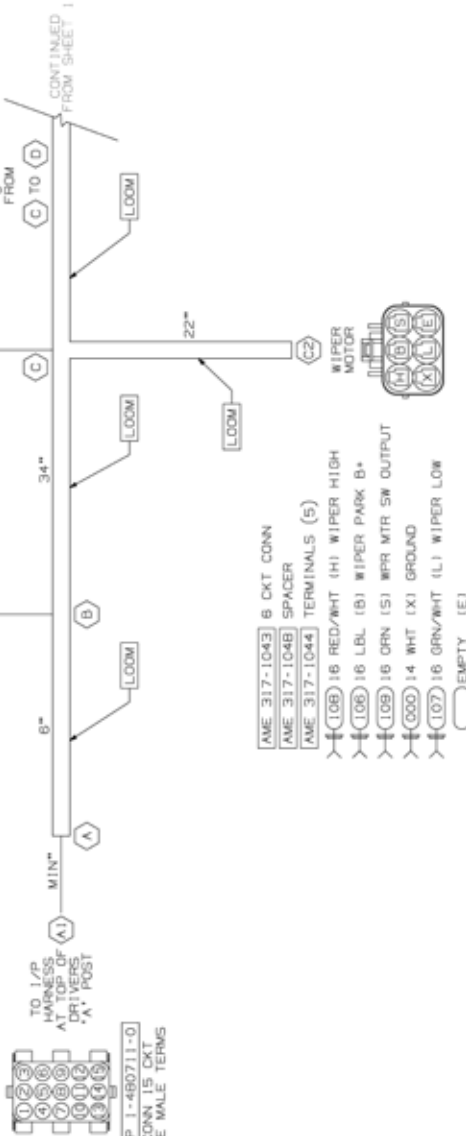
DRAWING NO.	147391200	REV	REL	SHT
			2 of 2	
DESCRIPTION	RELEASE FOR PRODUCTION			

CIRCUIT	GA/COLOR	END POINTS	FUNCTION
109	16 GRN	A1,C2	WIPER PK SWITCH OUTPUT
224	14 RED/GRN	A1,D2	BATTERY - SWITCHED
226	14 ORN/GRN	A1,D2	ACCESSORY - SWITCHED
304	16 YEL/BLK	A1,D3	DASH FAN LOW
305	16 GRN/BLK	A1,D3	DASH FAN HIGH
405	16 RED/YEL	A1,E2	AUXILIARY ACCESSORY

CIRCUIT	GA/COLOR	END POINTS	FUNCTION
000A	12 WHT	A1,D4,SPLICE 1	GROUND
000	14/16 WHT	B1,C1,C2,D1,D2,E1,E2,E3,SPLICE 1	GROUND
001	16 BRN	A1,B1,C1,D1,E1,E3	CLEARANCE/ICC LPS
004	16 PNK	A1,E2	BACK-UP SIGNAL
106	16 LBL	A1,C2	WIPER PARK SWITCH B*
107	16 GRN/WHT	A1,C2	WIPER LOW
108	16 RED/WHT	A1,C2	WIPER HIGH

SPLICE 1  
000A, 12 WHT IS TO BE  
SPLICED TO THE  
000 WHT CIRCUIT,  
VEHICLE TO DETERMINE  
LOCATION(S)

- ← 000A 12 WHT (1) GROUND
- ← 001 16 BRN (2) CLEARANCE/ICC LAMPS
- ← 004 16 PNK (3) BACK-UP SIGNAL
- ← 106 16 LBL (4) WIPER PARK SWITCH B\*
- ← 107 16 GRN/WHT (6) WIPER LOW
- ← 108 16 RED/WHT (7) WIPER HIGH
- ← 109 16 GRN (9) WIPER PARK SW OUTPUT
- ← 224 14 RED/GRN (10) BATT (5W)
- ← 226 14 ORN/GRN (12) ACCY (5W)
- ← 304 16 YEL/BLK (13) FAN LOW
- ← 305 16 GRN/BLK (14) FAN HIGH
- ← 405 16 RED/YEL (15) ACCESSORY



- AME 317-1043 8 DKT CONN
- AME 317-1048 SPACER
- AME 317-1044 TERMINALS (5)
- 106 16 RED/WHT (H) WIPER HIGH
- 108 16 LBL (B) WIPER PARK B\*
- 109 16 GRN (S) WFR MTR SW OUTPUT
- 000 14 WHT (X) GROUND
- 107 16 GRN/WHT (L) WIPER LOW
- EMPTY (E)

**PROPRIETARY**  
This drawing and the information and drawings contained hereon are the property of Morgan Olson Service Parts. No part of this drawing may be reproduced, stored in a retrieval system, or transmitted in any form or by any means, electronic, mechanical, photocopying, recording, or by any information storage and retrieval system, without the prior written permission of Morgan Olson.

**MORGAN OLSON SERVICE PARTS**

1. WALKER, J. S. (2008)    DATE: 02/24/08    147391200 2/2  
 2. WALKER, J. S. (2008)    DATE: 02/24/08    147391200 2/2  
 3. WALKER, J. S. (2008)    DATE: 02/24/08    147391200 2/2  
 4. WALKER, J. S. (2008)    DATE: 02/24/08    147391200 2/2

SCALE: ALL DIMENSIONS ARE IN INCHES UNLESS OTHERWISE SPECIFIED

DATE: 11MARI14    DATE: 11MARI14  
 DO NOT SCALE

NAME: HORN ROOF NOSE  
 91" HIGH

DRAWING NO.: 147391200  
 SHEET NO.: 2 of 2  
 SCALE: NONE  
 REL: REL

# 46010845 DBL MALE JMPR

# 46010845 DBL MALE JMPR

46010845

STRIPPING DETAIL

STRIPPING DETAIL

NOTE 1

NOTES:  
1. SOLDER DIP AFTER TERMINATION.

ITEM	PART NO.	DWG. NO.	DESCRIPTION	REQ.
6	8541	-----	SOLDER CONCENTRATE	.00014
5	8538	-----	SOLDER	.00200
4	2956	13394A	BULLET MOLD #2102	.00448
3	6006	05859B	TERM-#10 RING	2
2	6034	05865B	TERM-.180 BULLET	2
1	5106	13618B	2 COND CABLE, 14GA, FLAT	'B'

46010845

95242      48      \*A\*      48      \*B\*

PART NO.      \*A\*      \*B\*

REV	DATE	DESCRIPTION	EDN	DRN	APPD
0	3-5-99	RELEASE	1	3460	PROZ

REVISION HISTORY

TRUCK-LITE CO., INC.  
FALCONER, NEW YORK USA

HARN - DBL MALE JMPR

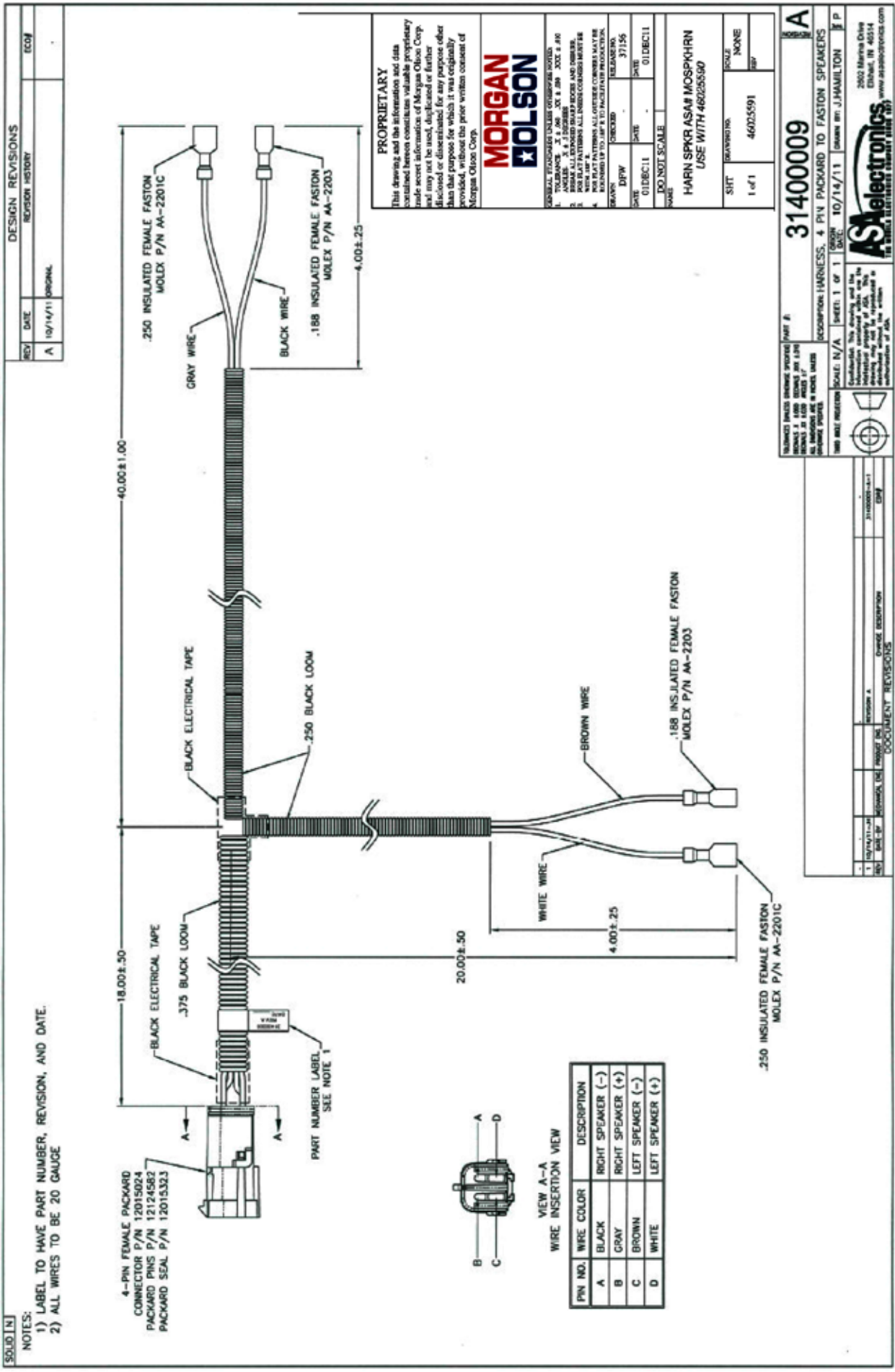
99-0800

46010845

99-0800

# 46025591 SPEAKER WIRING

# 46025591 SPEAKER WIRING



DESIGN REVISIONS	
REV	DATE
A	10/14/11

**PROPRIETARY**  
 This drawing and the information and data hereon are the property of Morgan Olson Corp. and may not be used, disclosed or further disclosed or disseminated for any purpose other than that purpose for which it was originally provided, without the prior written consent of Morgan Olson Corp.



DATE	01DEC11	DATE	01DEC11
DFW	37156	RELEASED	
DO NOT SCALE			
HARN SPKR ASAM MOSPKRHN USE WITH 46025590			
SHT	1 of 1	SCALE	NONE
DRAWING NO.	46025591	REV	

**31400009**

ASelectronics

2502 Marina Drive  
 Elkhart, IN 46514  
 www.asselectronics.com

188 WIRE HARNESS  
 SCALE: N/A  
 SHEET: 1 OF 1  
 DATE: 10/14/11  
 DRAWN BY: J.HAMILTON  
 P



# 090093202 HARNESS D/LMP

# 090093202 HARNESS D/LMP

DRAWING NO.	REV	SHEET
090093202	A	1 OF 1
RELEASE FOR PRODUCTION		
A	60" WAS 64"	REV. 5/2002

9. THIS IS A PURCHASED HARNESS. NO BILL OF MATERIAL EXISTS.
8. VENDOR MAY REPLACE PIGTAILS WITH WIRING TO APPROVED MOLDINGS OR CONNECTORS. PIGTAILS SHOWN IN TERMINAL VIEW.
7. HARNESS TO BE TESTED FOR CONTENT, OPENS, SHORTS, AND CONTINUITY.
6. CONNECTORS SHOWN FROM THE VIEWER'S SIDE, UNLESS OTHERWISE NOTED.
5. SPLICES TO BE AUTOMATED WITH SOLDER, AND ADHESIVE LINED HEAT SHRINK TUBING.
4. TAPE (1111092) 6" AT BREAKOUTS. A 1/8" BREAKOUT IS REQUIRED FOR ALL WIRE. THE LOM LENGTHS GREATER THAN 24" AND 2" AT LOOM ENDS.
3. HARNESS TO HAVE A LABEL SHOWING MORGAN OLSON PART NUMBER, REVISION LEVEL, AND DATE OF MANUFACTURE.
2. SPLIT POLY LOOM UNLESS OTHERWISE NOTED.

NOTES:

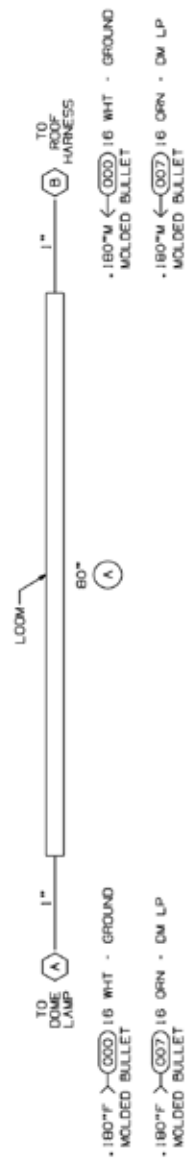
**PROPRIETARY**  
 This drawing is the property of Morgan Olson Service Parts. It is to be used only for the purpose intended. No part of this drawing may be reproduced or transmitted in any form or by any means, electronic, mechanical, photocopying, recording, or by any information storage and retrieval system, without the prior written permission of Morgan Olson Service Parts.



MORGAN OLSON SERVICE PARTS	
1. DRAWN BY: J. A. GARDNER	DATE: 05/11/02
2. CHECKED BY: J. A. GARDNER	DATE: 05/11/02
3. PART NUMBER: 090093202	REV: A
4. RELEASE DATE: 05/11/02	REV: A
DATE	DESCRIPTION
26OCT09	28B116
DO NOT SCALE	26OCT09
HARN FOR CAB D/LP	
GEN. 1800117	
DATE	DESCRIPTION
090093202	REV: A

HARNESS AND LOOM TOLERANCES	
UP TO 60" :	-0/+2"
60" TO 100" :	-0/+4"
100" TO 200" :	-0/+8"
200" TO 400" :	-0/+8"
400" TO 600" :	-0/+7"
OVER 600" :	-0/+8"
60 TO 50 :	-0/+2"

LENGTHS APPLY FROM BREAKOUT TO BREAKOUT, OR BREAKOUT TO WIRE ENTRY SIDE OF CONNECTOR, OR END OF COVER.



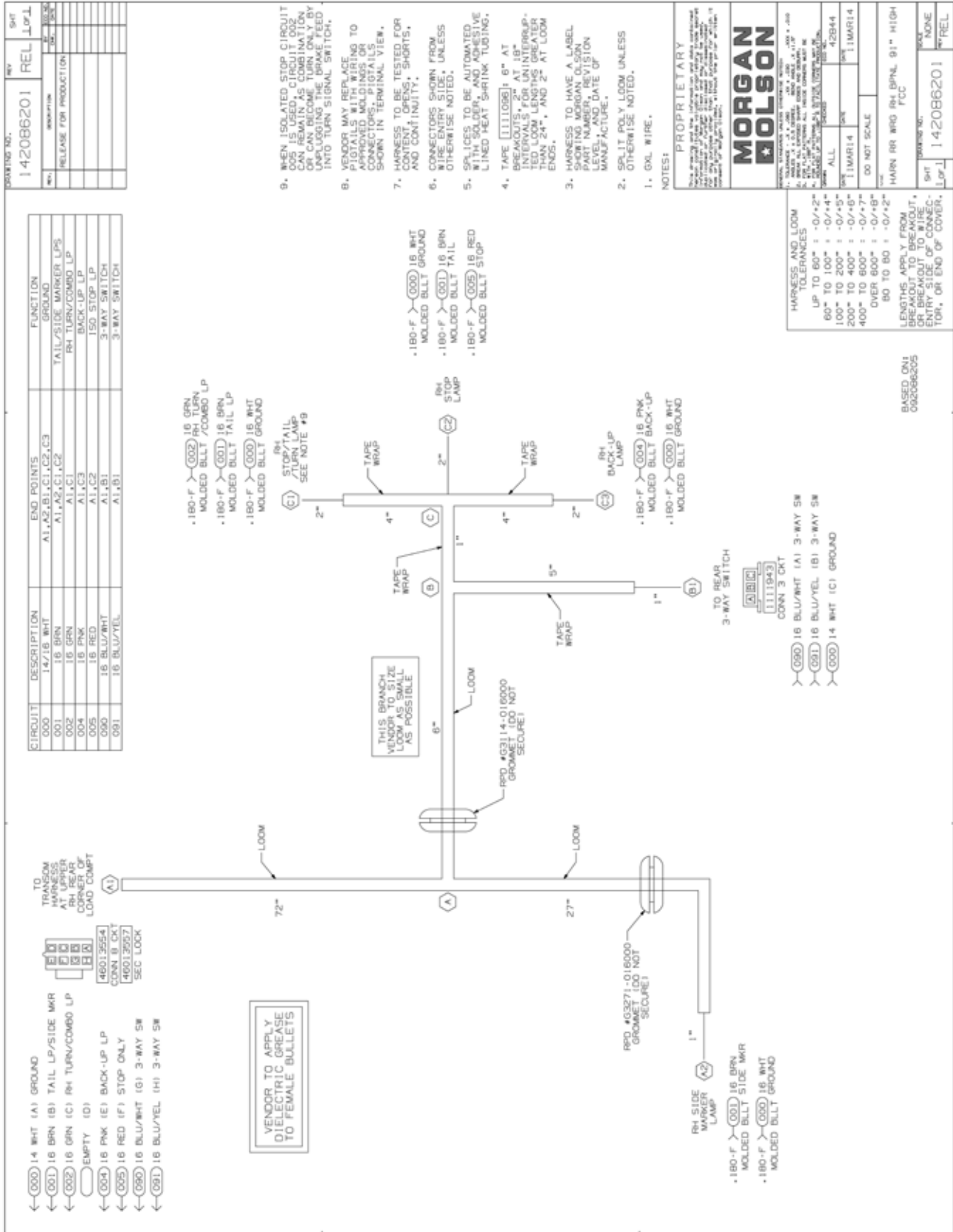
FEMALE BULLET TERMINALS TO BE GREASED

FIRST USE:  
 CV100632  
 BASED ON:  
 007368326



# 092086203 REAR WIRING

# 092086203 REAR WIRING



# 093093203 ROOF WIRING 1/2

# 093093203 ROOF WIRING 1/2

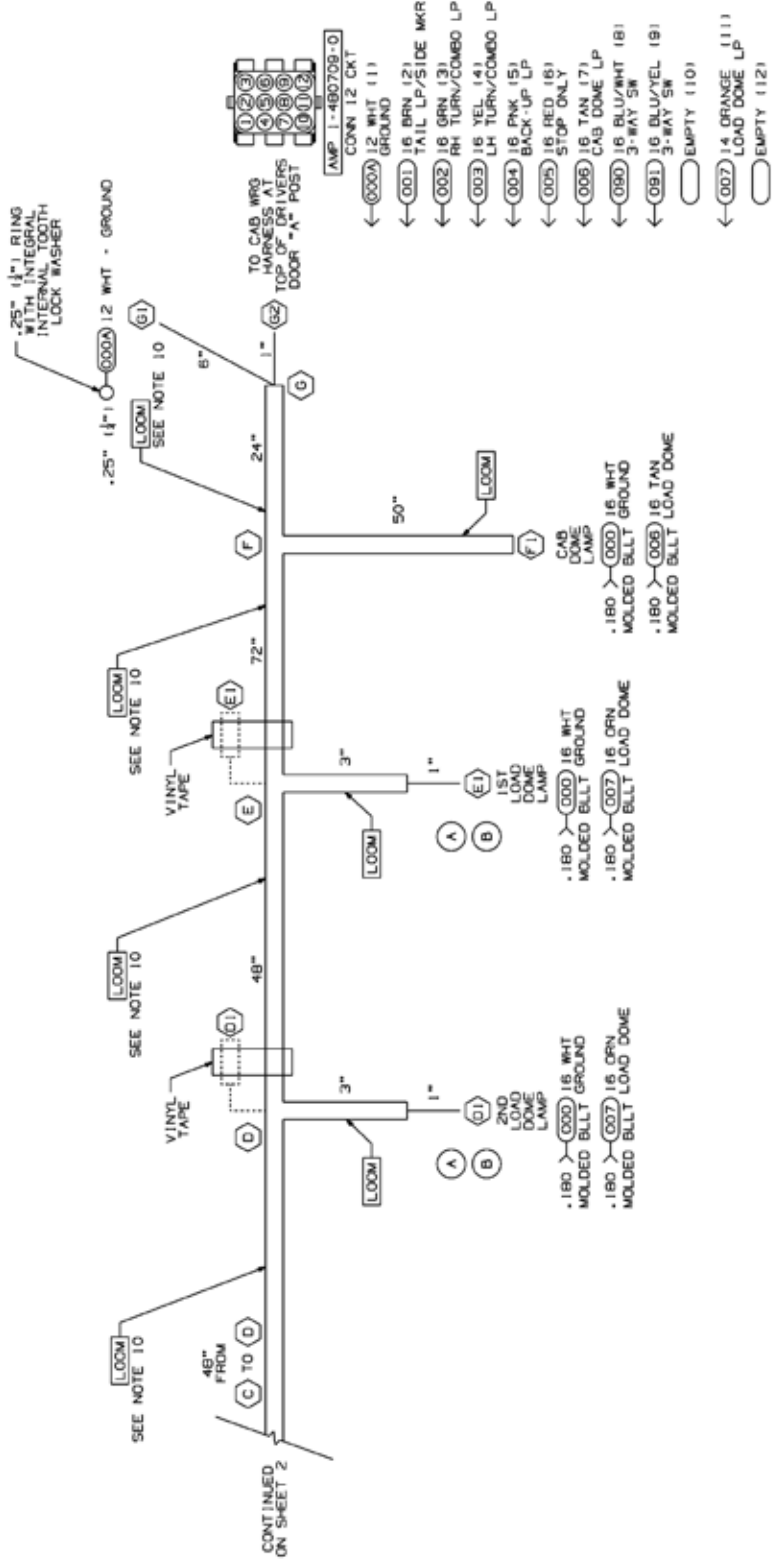
QUANTITY NO.	REV	SHT
093093203	B	1 of 2
DESCRIPTION		
RELEASE TO PRODUCTION		
A	REV'D DM LP B/A'S	21 APR 09
B	REV'D DM LP B/A'S	21 APR 09

10. MAIN TRUNK OF HARNESS MUST FIT IN A .75 DIA. WIRE CHANNEL
9. THIS IS A PURCHASED HARNESS. NO BILL OF MATERIAL EXISTS.
8. VENDOR MAY REPLACE PLUGS WITH APPROVED MOLDS OR CONNECTORS. PIGTAILS SHOWN IN TERMINAL VIEW.
7. HARNESS TO BE TESTED FOR CONTINUITY, SHORTS, AND CONTINUITY.
6. CONNECTORS SHOWN FROM WIRE ENTRY SIDE, UNLESS OTHERWISE NOTED.
5. SPLICES TO BE AUTOMATED WITH HEAT SHRINK TUBING. HEAT SHRINK BUTT SPLICES ARE ACCEPTABLE FOR M-O FABRICATION IF NECESSARY.
4. TAPE [1111088]: 6" AT BREAKOUTS AND 2" AT LOOM ENDS.
3. HARNESS TO HAVE A LABEL SHOWING MORGAN OLSON PART NUMBER, REVISION LEVEL, AND DATE OF MANUFACTURE.
2. SPLIT POLY LOOM UNLESS OTHERWISE NOTED.
1. GXL WIRE.

NOTES:  
 PROPRIETARY  
 THIS HARNESS IS THE PROPERTY OF MORGAN OLSON. IT IS TO BE USED ONLY FOR THE PURPOSES INTENDED BY MORGAN OLSON. IT IS NOT TO BE REPRODUCED, COPIED, OR TRANSMITTED IN ANY FORM OR BY ANY MEANS, ELECTRONIC OR MECHANICAL, INCLUDING PHOTOCOPYING, RECORDING, OR BY ANY INFORMATION STORAGE AND RETRIEVAL SYSTEM.

**MORGAN OLSON**

MORGAN OLSON SERVICE PARTS	
1. MORGAN OLSON, U.S.A. INC.	10000 W. 100th Ave. # 100
2. MORGAN OLSON SERVICE PARTS	10000 W. 100th Ave. # 100
3. MORGAN OLSON SERVICE PARTS	10000 W. 100th Ave. # 100
4. MORGAN OLSON SERVICE PARTS	10000 W. 100th Ave. # 100
DATE	21 APR 09
BY	TJM
REV	21 APR 09
DO NOT SCALE	
HARNESS ROOF 21'-24'6" M100 TRUCK .IBCF BLTT	
SHT	NONE
Lot 2	093093203
	B



HARNESS AND LOOM TOLERANCES

UP TO 60"	-0/+2"
60" TO 100"	-0/+4"
100" TO 200"	-0/+5"
200" TO 400"	-0/+6"
400" TO 600"	-0/+7"
OVER 600"	-0/+8"

BO TO 80 : -0/+2"  
 TOLERANCE IS NOT ACCUMULATIVE. LENGTH APPLIES TO OVERALL HARNESS LENGTH, BREAKOUT TO END, OR LOOM.

# 093093203 ROOF WIRING 2/2

DRAWING NO.	REV.	SHEET
093093203	B	2 of 2
DESCRIPTION	DATE	BY
RELEASE TO PRODUCTION		
A REVISED LAMP		
B REV'D DW LP B/O'S		

**SPLICE 1**  
 000A 12 WHIT IS TO BE  
 SPLICED TO THE  
 0000 WHIT CIRCUIT.  
 VENDOR TO DETERMINE  
 LOCATION(S)!

CIRCUIT	DESCRIPTION	END POINTS	FUNCTION
000A	12 WHIT	A1, G1, G2, SPLICE 1	GROUND
001	14/16 WHIT	A2, B1, C1, D1, E1, F1, SPLICE 1	GROUND
002	16 BRN	A1, G2	CLERK/TCC LPS
003	16 GRN	A1, G2	RH TURN LP
004	16 YEL	A1, G2	LH TURN LP
005	16 PNK	A1, G2	BACK-UP LPS
006	16 RED	A1, G2	STOP LPS
007	16 TAN	F1, G2	CAB DOME LP
008	14/16 GRN	A2, B1, C1, D1, E1, G2	LOAD DOME LAMPS
009	16 BLU/WHIT	A1, G2	3-WAY SWITCH - LOAD DMS
010	16 BLU/YEL	A1, G2	3-WAY SWITCH - LOAD DMS

10. MAIN TRUNK OF HARNESS MUST FIT IN A .75 DIA. WIRE CHANNEL
9. THIS IS A PURCHASED HARNESS. NO BILL OF MATERIAL EXISTS.
8. VENDOR MAY REPLACE PIGTAILS WITH WIRING TO APPROVED MOLDINGS OR CONNECTORS. PIGTAILS SHOWN IN TERMINAL VIEW.
7. HARNESS TO BE TESTED FOR CONTENT GAINS, SHORTS, AND CONTINUITY.
6. CONNECTORS SHOWN FROM WIRE ENTRY SIDE, UNLESS OTHERWISE NOTED.
5. SPLICES TO BE AUTOMATED WITH HEAT SHRINK TUBING. HEAT SHRINK BUTT SPLICES ARE ACCEPTABLE FOR M-O FABRICATION IF NECESSARY.
4. TAPE [1111096]: 6" AT BREAKOUTS AND 2" AT LOOM ENDS.
3. HARNESS TO HAVE A LABEL SHOWING MORGAN OLSON PART NUMBER, REVISION NUMBER, DATE OF MANUFACTURE.
2. SPLIT POLY LOOM UNLESS OTHERWISE NOTED.

NOTES:  
 1. GVL WIRE.

**PROPRIETARY**

**MORGAN OLSON**

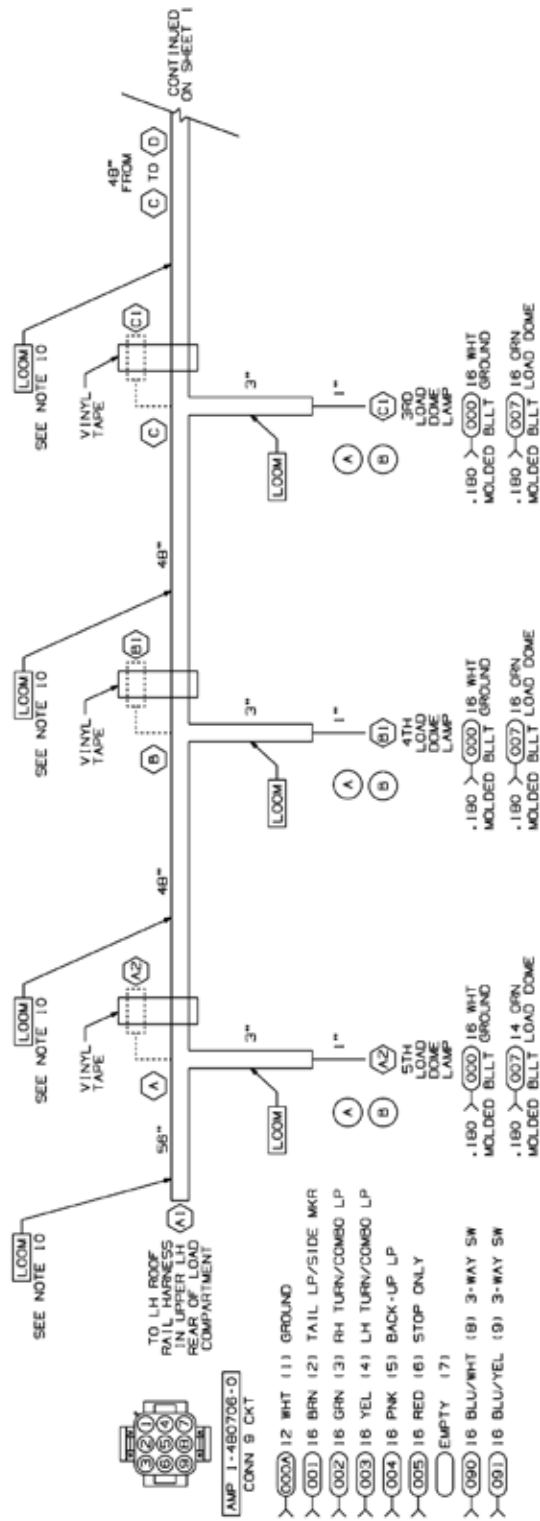
MORGAN OLSON ELECTRIC SYSTEMS, INC.  
 10000 W. 10TH AVENUE, SUITE 100, DENVER, CO 80202  
 TEL: (303) 751-1000 FAX: (303) 751-1001  
 WWW.MORGANOLSON.COM

DATE: 21APR08  
 TIME: 2:48:36  
 DO NOT SCALE  
 HARNESS ROOF 21'-24'6"  
 M100 TRUCK .180F BLT

SHEET NO. 2 of 2  
 PART NO. 093093203

HARNESS AND LOOM TOLERANCES
UP TO 60" : -0/+2"
60" TO 100" : -0/+4"
100" TO 200" : -0/+5"
200" TO 400" : -0/+6"
400" TO 600" : -0/+7"
OVER 600" : -0/+8"
BO TO BO : -0/+2"

TOLEANCE IS NOT ACCUMULATIVE. LENGTH APPLIES TO OVERALL HARNESS LENGTH, BREAKOUT TO END, OR LOOM.



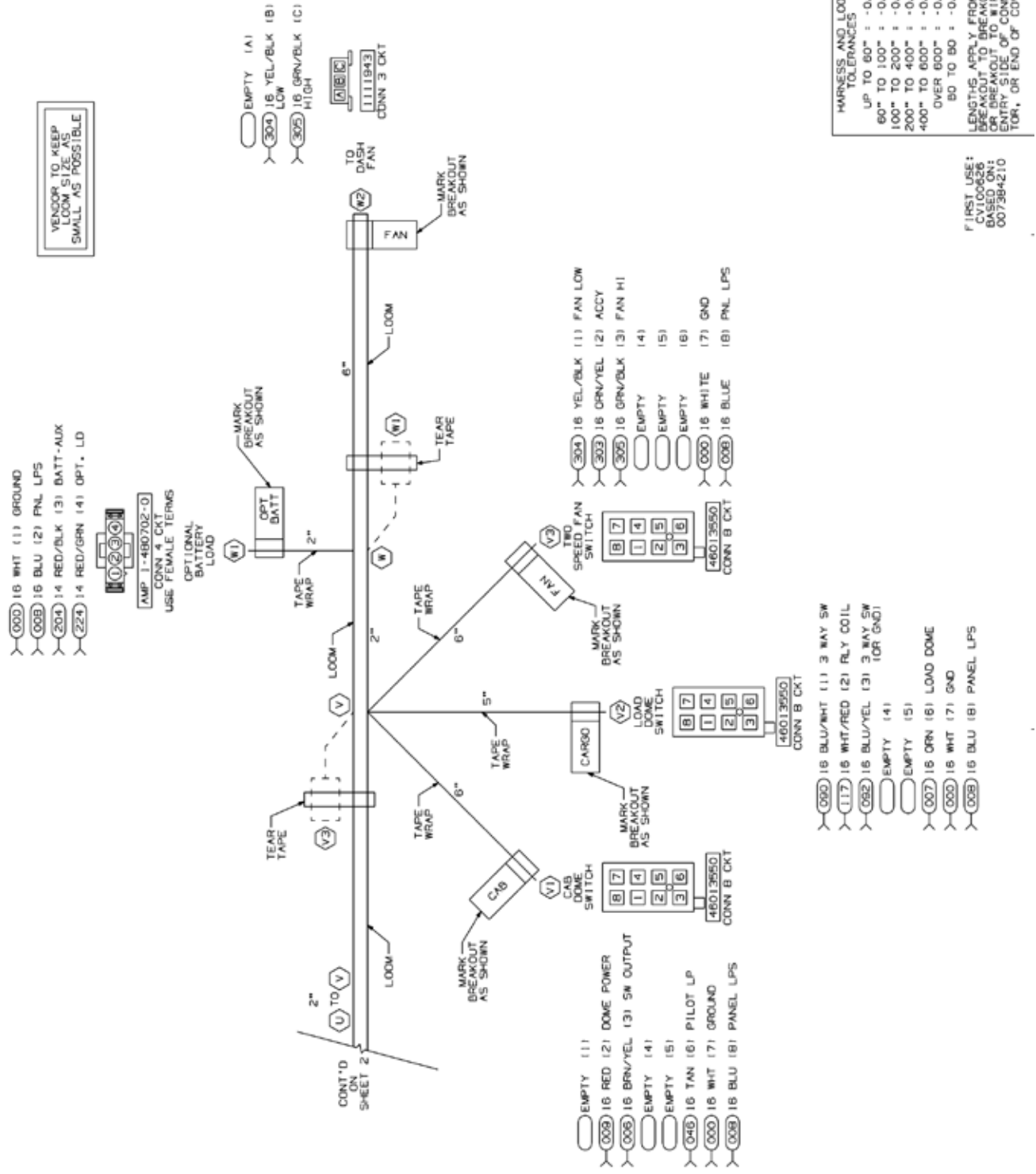




# 098084203 INSTRUMENT PANEL 1/4

DRAWING NO.	REV.	SHT
098084203	C	1 of 4
DESCRIPTION		
RELEASE FOR PRODUCTION		
A	REVISED BETWEEN D/F# 2800	
B	REV'D B/O "H1" D/F# 2800	
C	7" WAS 3" SHEET 2 ALL WIRING	

VENDOR TO KEEP LOOM SIZE AS SMALL AS POSSIBLE



**HARN. AND LOOM TOLERANCES**

UP TO 60"	: -0/+2"
60" TO 100"	: -0/+4"
100" TO 200"	: -0/+5"
200" TO 400"	: -0/+8"
400" TO 800"	: -0/+7"
OVER 800"	: -0/+8"
50 TO 90	: -0/+2"

LENGTHS APPLY FROM BREAKOUT TO BREAKOUT. ENTRY SIDE OF CONNECTOR, OR END OF COVER.

FIRST USE: 1/1/02  
 BASED ON: 007384210

- THIS IS A PURCHASED HARN. NO BILL OF MATERIAL EXISTS.
- VENDOR MAY REPLACE PIGTAILS WITH WIRING TO APPROVED MOLDINGS OR CONNECTORS. PIGTAILS SHOWN IN TERMINAL VIEW.
- HARN. TO BE TESTED FOR CONTENT, OPENS, SHORTS.
- CONNECTORS SHOWN FROM REVERSE VIEW, UNLESS OTHERWISE NOTED.
- SPLICES TO BE AUTOMATED WITH SOLDER, AND ADHESIVE LINED HEAT SHRINK TUBING.
- TAPE (1111098): 8" AT BREAKOUTS AND 2" AT LOOM ENDS.
- HARN. TO HAVE A LABEL SHOWING MORGAN OLSON PART NUMBER, REVISION LEVEL, AND DATE OF MANUFACTURE.
- SPLIT POLY LOOM UNLESS OTHERWISE NOTED.
- GXL WIRE.

NOTES:  
 PROPRIETARY  
 MORGAN OLSON SERVICE PARTS

**MORGAN OLSON**

GENERAL STANDARD INDUSTRIAL WIRE

1. WIRE: 18 AWG, 1/4" DIA, 1/2" DIA, 3/4" DIA, 1" DIA  
 2. WIRE: 20 AWG, 1/8" DIA, 1/4" DIA, 3/8" DIA, 1/2" DIA  
 3. WIRE: 22 AWG, 1/16" DIA, 1/8" DIA, 1/4" DIA, 3/8" DIA, 1/2" DIA  
 4. WIRE: 24 AWG, 1/32" DIA, 1/16" DIA, 1/8" DIA, 1/4" DIA, 3/8" DIA, 1/2" DIA  
 5. WIRE: 26 AWG, 1/64" DIA, 1/32" DIA, 1/16" DIA, 1/8" DIA, 1/4" DIA, 3/8" DIA, 1/2" DIA

DATE	REV	BY	CHK
285501			
DECOCT09			DECOCT09
DO NOT SCALE			

HARN 1/P FCC 2009 M-100  
 2P D/PK INT MFR RHR SW

SHT 1 of 4  
 PART NO. 098084203  
 REV C





# 098084203 INSTRUMENT PANEL 4/4

# 098084203 INSTRUMENT PANEL 4/4

REV	DESCRIPTION	REV	DATE
098084203	C	4 of 4	
RELEASE FOR PRODUCTION			
A	REVISED TERMINALS	DATE	BY
B	REV'D B/O "H1"		
C	7" WAS 3" SHEET 2		
	7" WAS 3" SHEET 2		

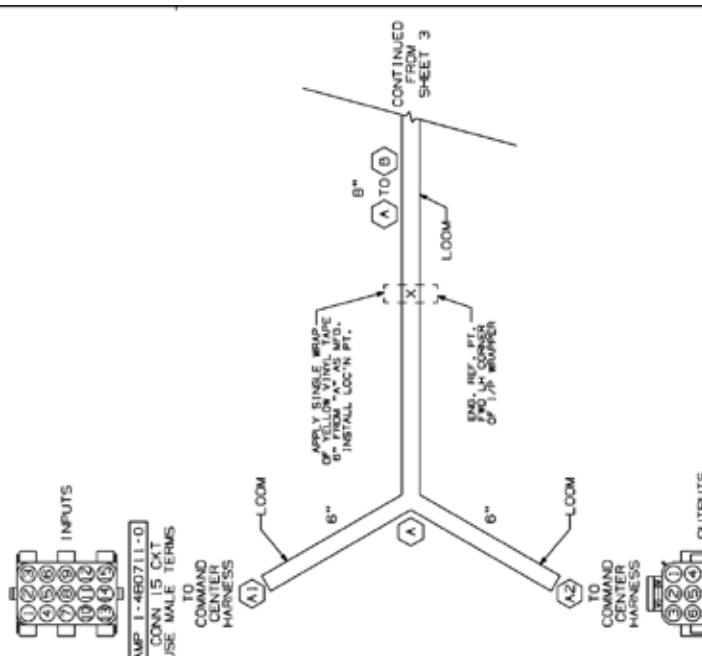
CIRCUIT	DESCRIPTION	END POINTS	FUNCTION
000	12/14/16 WHI	A1, C1, NI, Q1, RI, T1, T2, U1, V1, V2, V3, W1	GROUND
006	16 BRN/YEL	F1, V1	CAB DOME LAMP SWITCH OUTPUT
007	14/16 GRN	A2, B1, F2, V2	LOAD DOME LAMP(S)
008	16 BLU	A1, T1, U1, V1, V2, V3, W1	PANEL LAMPS (THRU DIMMER SWITCH)
009	12/16 RED	A1, B1, V1	DOME BATTERY FEED
036	16 BRN/WHI	C1, E1	CAB DOME TO TIMER
046	16 TAN	A2, C1, V1	CAB DOME LAMP
080	16 BLU/WHI	A1, V2	LOAD DOME LAMPS 3-WAY SWITCH
091	16 BRN/YEL	A1, N2	LOAD DOME LAMPS 3-WAY SWITCH
092	16 BLU/YEL	P1, V2	LOAD DOME LAMPS 3-WAY SWITCH
100	12 WHI/RED	A2, J1	ELECTRIC HVAC GROUND
101	12 GRN	A1, J1	ELECTRIC HVAC ACCESSORY POWER
111	16 PNK/BLK	A1, M	WASHER PUMP
116	14 RED/GRN	A1, O1, R1	LIGHTER (BATTERY)
117	16 WHI/RED	B1, O1, V2	LOAD DOME LAMPS RELAY COIL GROUND
118	16 BLK/RED	A1, O1	LOAD DOME LAMPS RELAY COIL BATTERY
121	16 WHI/BLU	A2, M	WASHER PUMP GROUND
122	16 GRY/WHI	B1, O1	WASHER PUMP GROUND
200	10 WHI/RED	G1, G2	GROUND - AUX
204	14 RED/BLK	A1, G1, W1	BATTERY POWER - AUX
206	14 RED/GRN	A2, M1	AUX BATTERY POWER - SWITCHED
226	14 GRN/GRN	A2, U1	AUX ACCESSORY POWER - SWITCHED
303	16 GRN/YEL	A1, V3	FAN SWITCH POWER
304	16 YEL/BLK	A2, V3, W2	DASH FAN LOW
305	16 GRN/BLK	A2, V3, W2	DASH FAN HIGH
*400*	16 GRY/BLK	A2, T2	RH SPEAKER (NEGATIVE)
*401*	16 GRY/WHI	A2, T2	RH SPEAKER (POSITIVE)
*402*	16 WHI/BLK	A2, T2	LH SPEAKER (NEGATIVE)
*403*	16 WHI/GRN	A2, T2	LH SPEAKER (POSITIVE)
404	16 WHI/WHI	A1, T2	RADIO BATTERY FEED
405	16 RED/YEL	A1, T2	RADIO ACCESSORY FEED
JPR1	16 TAN	C2, C2	CAB DOME JAMPER
JPR2	16 GRY	D2, D2	LOAD DOME JAMPER

\* OPTIONAL: CIRCUITS 400 & 401 MAY BE SUPPLIED AS STANDARD SPEAKER "ZIP CORO" PAIRS. CIRCUIT NUMBER AND CONNECTOR INDEXING MUST BE MAINTAINED AS SHOWN.

\* OPTIONAL: CIRCUITS 402 & 403 MAY BE SUPPLIED AS STANDARD SPEAKER "ZIP CORO" PAIRS. CIRCUIT NUMBER AND CONNECTOR INDEXING MUST BE MAINTAINED AS SHOWN.

- ← (000) 12 WHI (11) BODY GROUND
- ← (008) 16 BLU (12) PANEL LAMPS
- ← (009) 12 RED (13) BATTERY-DOME LPS
- ← (080) 16 BLU/WHI (41) 3-WAY SWITCH
- ← (081) 16 BLU/YEL (51) 3-WAY SWITCH
- ← (101) 12 GRN (61) ACCESSORY-HVAC
- ← (111) 16 PNK/BLK (71) WASHER PUMP
- ← (116) 14 RED/GRN (81) BATT-12V OUTLET
- ← (118) 16 BLK/RED (91) DOME RLY COIL B\*
- ← (204) 14 RED/BLK (110) BATTERY-AUX
- ← (206) 14 GRN/BLK (111) ACCESSORY-AUX
- ← (303) 16 GRN/YEL (112) ACCESSORY-FAN
- ← (404) 16 YEL/WHI (113) BATTERY-RADIO
- ← (405) 16 RED/YEL (114) ACCESSORY-RADIO
- ( ) EMPTY (115)

- > (007) 14 GRN (11) LOAD DOME LAMPS
- > (046) 16 TAN (2) TO CAB DOME LAMPS
- > (121) 16 WHI/BLU (31) WASHER GROUND
- > (224) 14 RED/GRN (41) SWITCHED BAT LOAD
- > (226) 14 GRN/GRN (51) SWITCHED ACY LOAD
- > (304) 16 YEL/BLK (61) DASH FAN LOW
- > (305) 16 GRN/BLK (71) DASH FAN HIGH
- > (400) 16 GRY/BLK (81) RH SPEAKER-NEG
- > (401) 16 GRY/WHI (91) RH SPEAKER-POS
- > (402) 16 WHI/BLK (110) LH SPEAKER-NEG
- > (403) 16 WHI/GRN (111) LH SPEAKER-POS
- > (100) 12 WHI/RED (112) HVAC GROUND



**PROPRIETARY**  
This drawing and its contents are the property of Morgan Olson and are to be used only for the purpose intended. No part of this drawing may be reproduced or transmitted in any form or by any means, electronic, mechanical, photocopying, recording, or by any information storage and retrieval system, without the prior written permission of Morgan Olson.

**MORGAN OLSON**

GENERAL HEADQUARTERS: 10000 W. 10TH AVE., DENVER, CO 80241  
 1. 10000 W. 10TH AVE., DENVER, CO 80241  
 2. 10000 W. 10TH AVE., DENVER, CO 80241  
 3. 10000 W. 10TH AVE., DENVER, CO 80241  
 4. 10000 W. 10TH AVE., DENVER, CO 80241

Drawn: DFW  
 Checked: [ ]  
 Date: 08OCT09  
 Scale: 1:1  
 Part: 098084203

DO NOT SCALE

HARN 1/P FCC 2009 M-100  
 2P D/PK INT WPR RKR SW

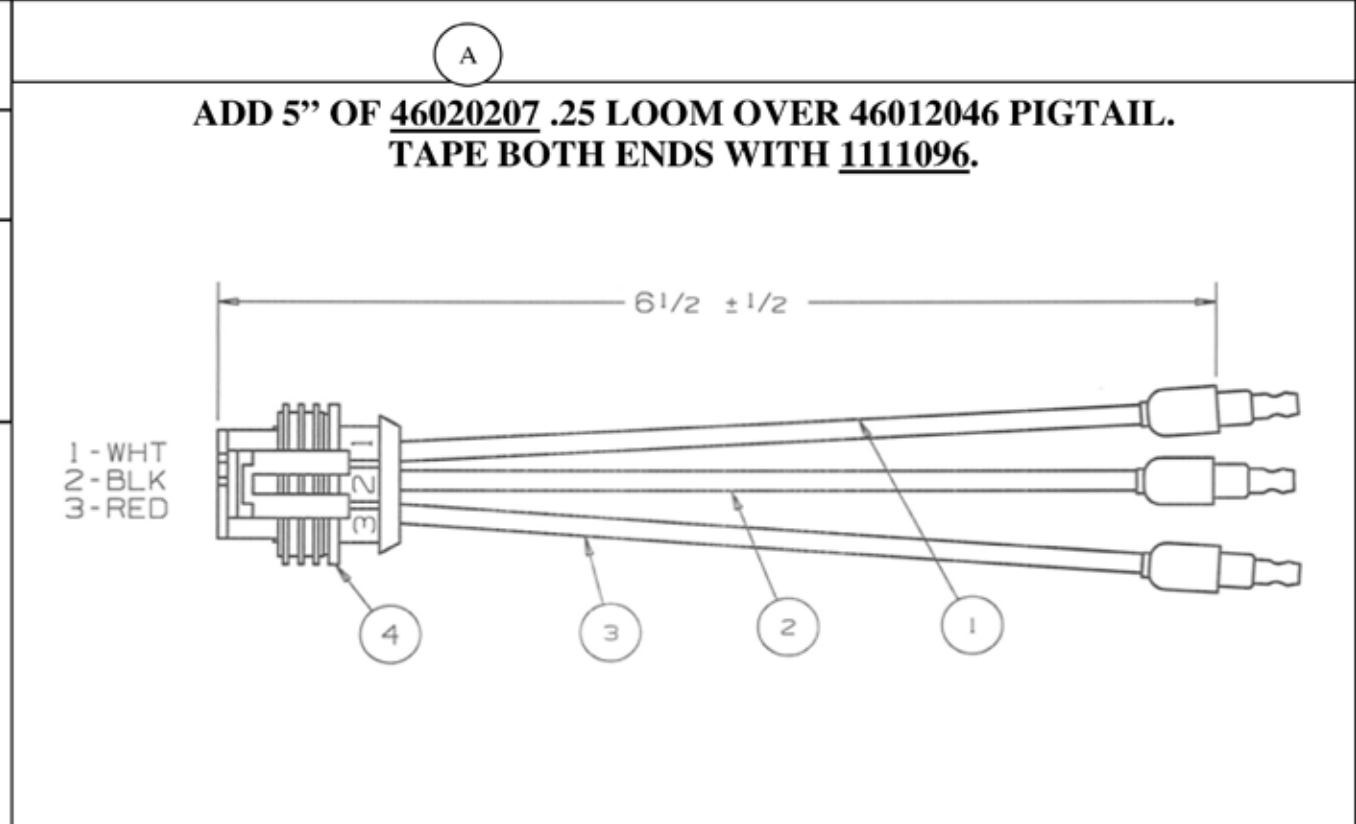
REV: NONE  
 SHEET: 4 of 4  
 PART NO.: 098084203  
 REV: C



# 100081201 REAR LAMPS

100081201 REAR LAMPS

SHT 1 of 1  
REV A  
Drawing No. 100081201



**DIGITAL PHOTO DRAWING**



GENERAL STANDARDS UNLESS OTHERWISE NOTED:  
 1. TOLERANCE- .X ± .060 .XX ± .030 .XXX ± .010  
 ANGLES- .X ± .5 DEGREES  
 2. BREAK ALL EXPOSED SHARP EDGES AND DEBURR.  
 3. FOR FLAT PATTERNS ALL INSIDE CORNERS MUST BE WITH .188" R.  
 4. FOR FLAT PATTERNS ALL OUTSIDE CORNERS MAY BE ROUNDED UP TO .188" R TO FACILITATE PRODUCTION.

A	LOOM 46020207 WAS 46020201	MTS	43454
REV	DESCRIPTION	BY	REL.NO.
		CHK.	DATE

DRAWN	CHECKED	RELEASE NO.
TJM		31075
DATE	DATE	DATE
12MAY10		12MAY10
DO NOT SCALE		
NAME		

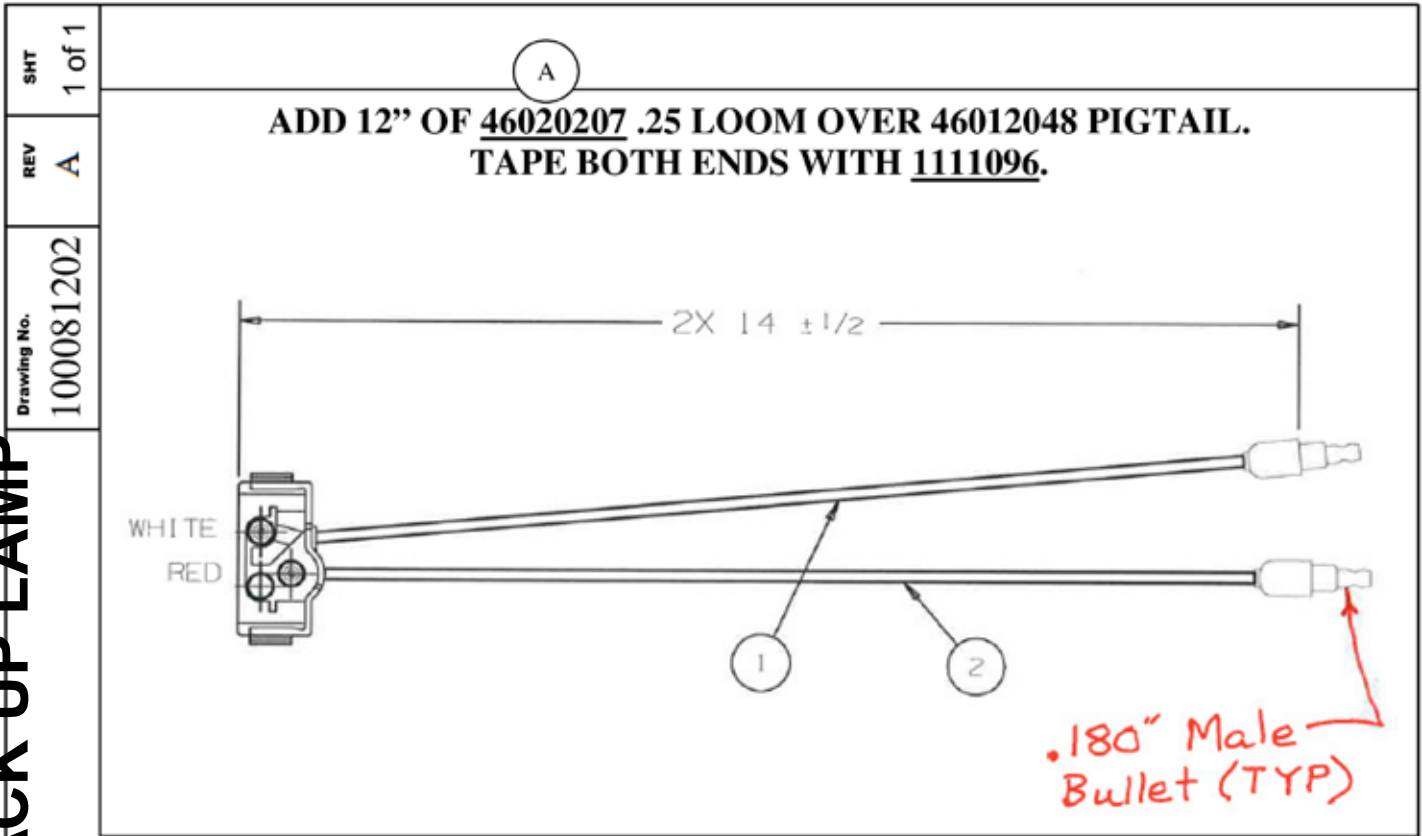
**PROPRIETARY**

This drawing and the information and data contained hereon constitutes valuable proprietary trade secret information of Morgan Olson Corp. and may not be used, duplicated or further disclosed or disseminated for any purpose other than that purpose for which it was originally provided, without the prior written consent of Morgan Olson Corp.

<b>HARN A S/T/T WITH LOOM (LOOM OVER 46012046)</b>		
SHT	DRAWING NO.	SCALE
1 of 1	100081201	NONE
		REV
		A

# 100081202 BACK UP LAMP

100081202 BACK UP LAMP



DIGITAL PHOTO DRAWING



- GENERAL STANDARDS UNLESS OTHERWISE NOTED:
1. TOLERANCE- .X ± .060 .XX ± .030 .XXX ± .010
  - ANGLES- .X ± .5 DEGREES
  2. BREAK ALL EXPOSED SHARP EDGES AND DEBURR.
  3. FOR FLAT PATTERNS ALL INSIDE CORNERS MUST BE WITH .188" R.
  4. FOR FLAT PATTERNS ALL OUTSIDE CORNERS MAY BE ROUNDED UP TO .188" R TO FACILITATE PRODUCTION.

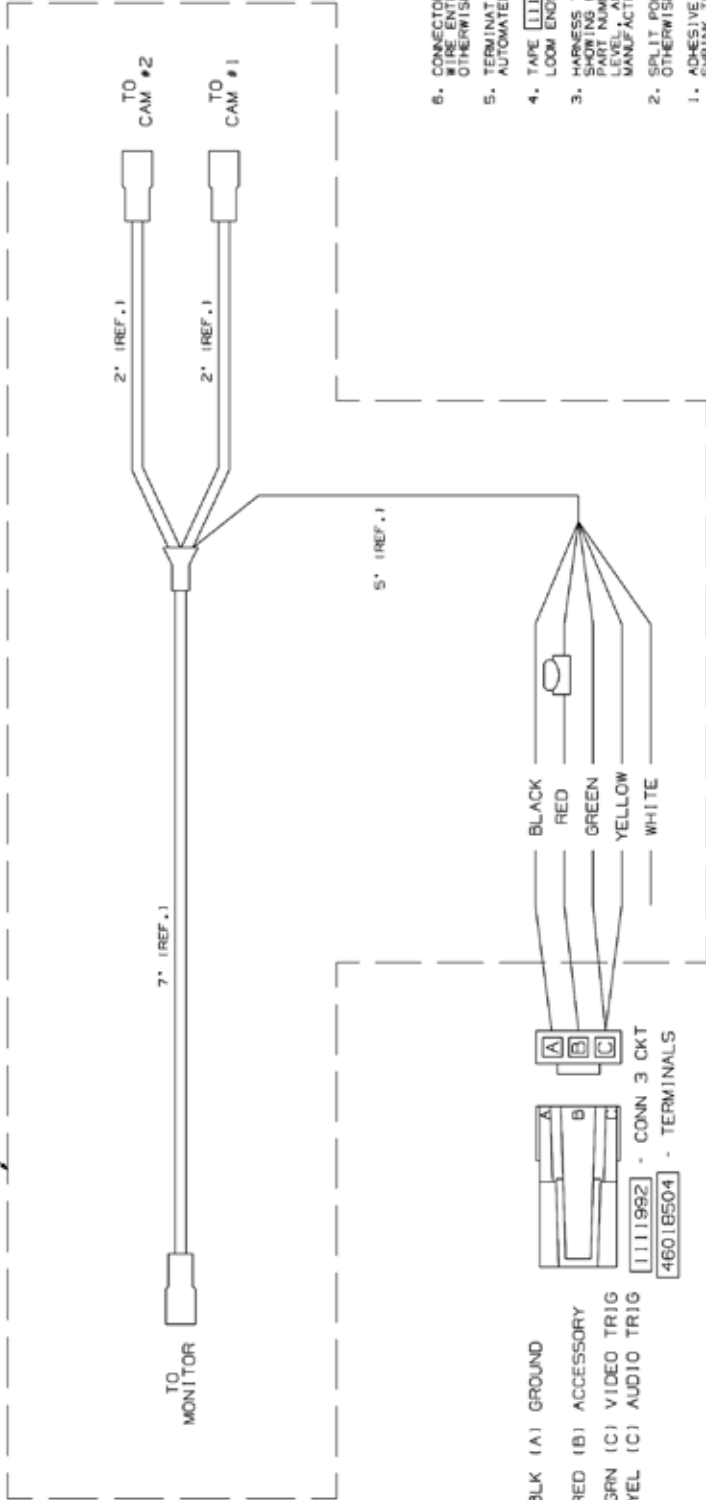
					DRAWN TJM	CHECKED	RELEASE NO. 31075
A	LOOM 46020207 WAS 46020201	MTS	43454	DATE 12MAY10	DATE	DATE 12MAY10	
REV	DESCRIPTION	BY	RELNO.	DO NOT SCALE			
		CHK.	DATE	NAME			
<b>PROPRIETARY</b>				<b>HARN A B/U WITH LOOM (LOOM OVER 46012048)</b>			
This drawing and the information and data contained hereon constitutes valuable proprietary trade secret information of Morgan Olson Corp. and may not be used, duplicated or further disclosed or disseminated for any purpose other than that purpose for which it was originally provided, without the prior written consent of Morgan Olson Corp.				SHT	DRAWING NO.	SCALE	
				1 of 1	100081202	NONE	
						REV	A

# 110094201 MOD SV LCD

# 110094201 MOD SV LCD

DRAWING NO.	REV	SHT
110094201		1 OF 1
REV	DESCRIPTION	DATE
	RELEASE TO PRODUCTION	

SUBJECT MATTER SHOWN WITHIN DOTTED LINES COMPRISES THE INTERFACE CABLE ASSEMBLY SUPPLIED WITHIN THE #48200107 MONITOR KIT



- ← 000 16 BLK (A) GROUND
- ← 405 16 RED (B) ACCESSORY
- ← 004 16 GRN (C) VIDEO TRIG
- ← 004 16 YEL (C) AUDIO TRIG

THIS CONNECTOR WILL MATE TO THE M-100 ROOF NOSE HARNESS

1. INSULATE BLUNT CUT END OF WHITE POWER LEAD, USING #46032502 HEAT SHRINK TUBING.
2. TERMINATE THE REMAINING COLORED POWER LEADS, AND POPULATE INTO CONNECTOR BODY AS SHOWN.
3. COVER POWER LEADS WITH #46020200 LOOM, TAPE ENDS AND ELSEWHERE AS NECESSARY, TO CLOSE LOOM.
4. COVER MONITOR LEAD WITH #46020201 LOOM, TAPE ENDS AND ELSEWHERE AS NECESSARY, TO CLOSE LOOM.
5. COVER CAMERA #1 LEAD WITH #46020201 LOOM AND TAPE ENDS.
6. FOLD BACK, AND SECURE CAMERA #2 LEAD TO MONITOR LEAD, USING #46026310 TYWRAPS.

6. CONNECTORS SHOWN FROM WIRE ENTRY SIDE, UNLESS OTHERWISE NOTED.
5. TERMINATIONS TO BE AUTOMATED.
4. TAPE [1111096]: 2" AT LOOM ENDS.
3. HARNESS TO HAVE A LABEL WITH MORGAN OLSON PART NUMBER, REVISION LEVEL, AND DATE OF MANUFACTURE.
2. SPLIT POLY LOOM UNLESS OTHERWISE NOTED.
1. ADHESIVE LINED HEAT SHRINK TUBING.

NOTES:

PROPRIETARY  
 THIS DRAWING IS THE PROPERTY OF MORGAN OLSON SERVICE PARTS. IT IS TO BE USED ONLY FOR THE MANUFACTURE OF THE PARTS IDENTIFIED HEREIN. IT IS NOT TO BE REPRODUCED OR TRANSMITTED IN ANY FORM OR BY ANY MEANS, ELECTRONIC OR MECHANICAL, INCLUDING PHOTOCOPYING, RECORDING, OR BY ANY INFORMATION STORAGE AND RETRIEVAL SYSTEM.



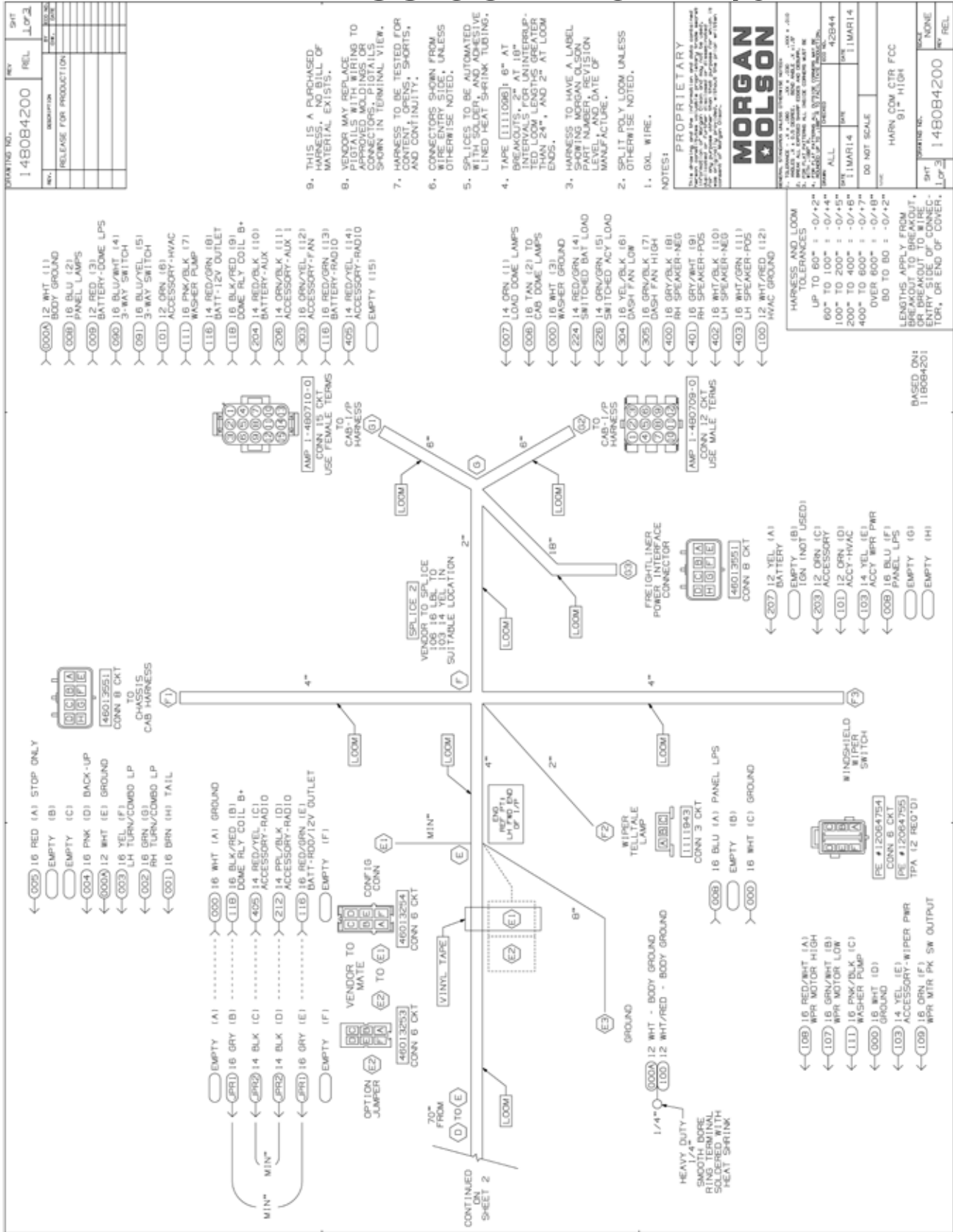
SPECIAL REQUIREMENTS/REVISIONS:	
1. MATERIALS: U.S.A. ONLY	REV. # 419
2. MANUFACTURING: ALL DIMENSIONS UNLESS OTHERWISE SPECIFIED	
3. FINISH: UNLESS OTHERWISE SPECIFIED	
4. TOLERANCES: UNLESS OTHERWISE SPECIFIED	
5. DIMENSIONS: UNLESS OTHERWISE SPECIFIED	
6. DRAWING: 110094201	REV. 33408
DATE: 29DEC09	BY: 29DEC09
DO NOT SCALE	M-100
HARN MOD SV LCD MON W/INTGR. CTLS 2011	
DRAWING NO.	REV
110094201	NONE

HARNESS AND LOOM TOLERANCES	
UP TO 60"	± 0/-2"
60" TO 100"	± 0/-4"
100" TO 200"	± 0/-5"
200" TO 400"	± 0/-6"
400" TO 600"	± 0/-7"
OVER 600"	± 0/-8"
BO TO BO	± 0/-2"
TOLERANCE IS NOT ACCUMULATIVE. LENGTH APPLIES TO OVERALL HARNESS LENGTH, BREAKOUT TO END, OR LOOM.	

FIRST USE: CALIFORNIA BASED ON 097084-203

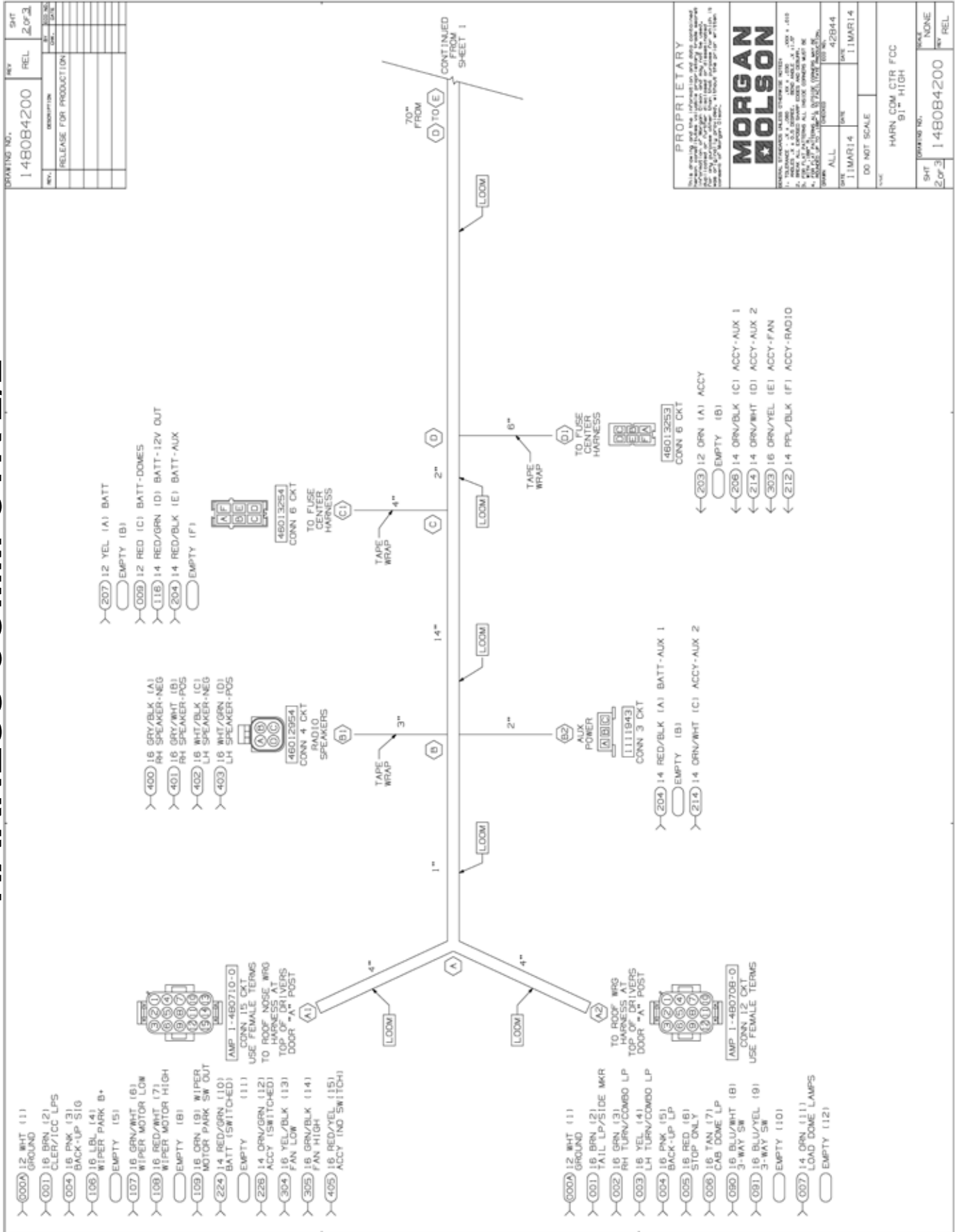
# HARNES COMM CTR 1/3

# HARNES COMM CTR 1/3



# HARNES COMM CTR 2/2

# HARNES COMM CTR 2/2



PROPRIETARY

**MORGAN OLSON**

1. THIS DRAWING IS THE PROPERTY OF MORGAN OLSON SERVICE PARTS. IT IS TO BE USED ONLY FOR THE PURPOSES INTENDED. IT IS NOT TO BE REPRODUCED OR TRANSMITTED IN ANY FORM OR BY ANY MEANS, ELECTRONIC OR MECHANICAL, INCLUDING PHOTOCOPYING, RECORDING, OR BY ANY INFORMATION STORAGE AND RETRIEVAL SYSTEM. VIOLATION OF THIS NOTICE IS SUBJECT TO PROSECUTION.

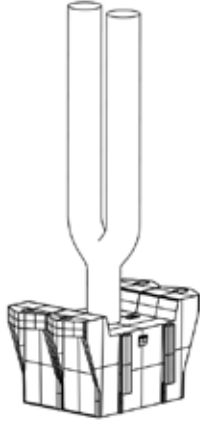
DATE: 11 MAR 14  
 DRAWN BY: 42844  
 CHECKED BY: 11 MAR 14  
 SCALE: DO NOT SCALE  
 HARN. COM CTR FCC  
 91" HIGH  
 SHEET NO. 2 of 3  
 DRAWING NO. 148084200  
 NONE  
 REL



# 098084202 FUSE CENTER

# 098084202 FUSE CENTER

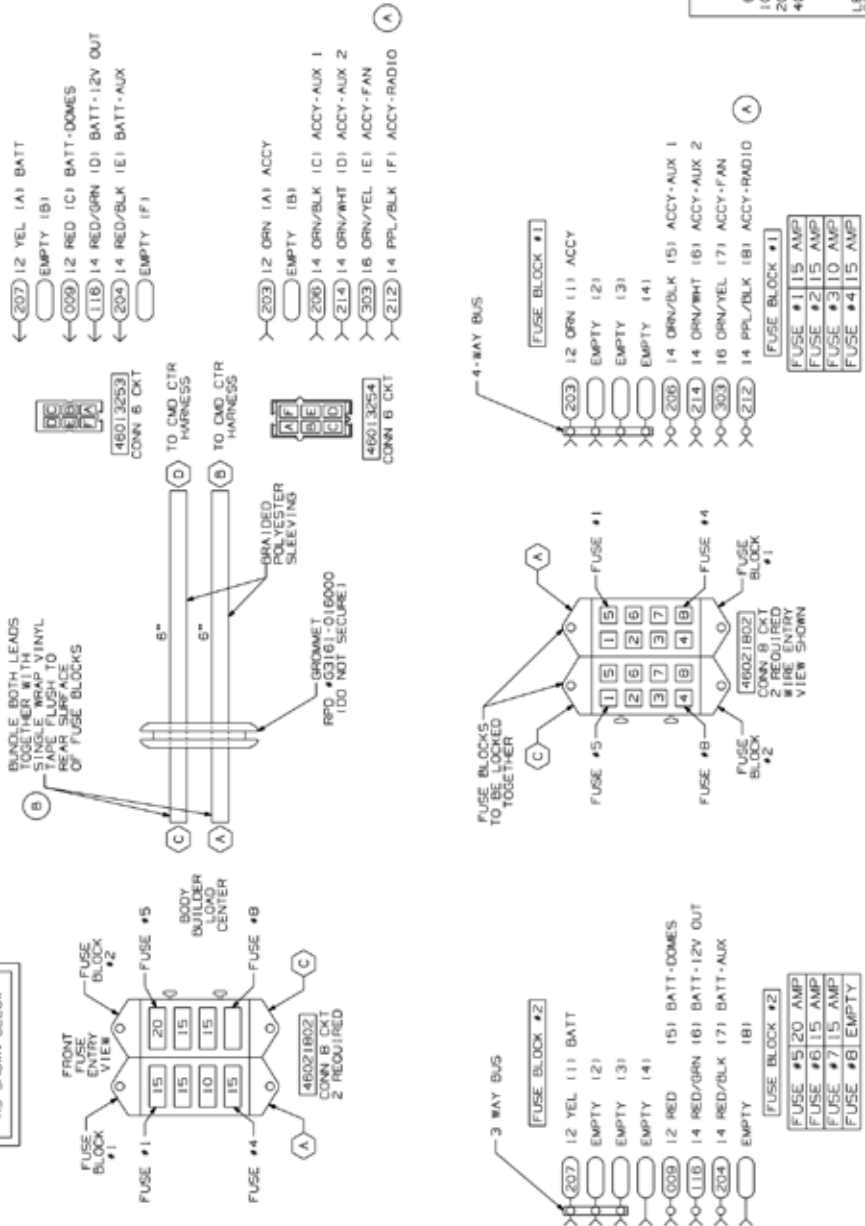
WORKING NO.	REV	SHT
098084202	B	1 OF 1
REV	DESCRIPTION	DATE
A	RELEASE FOR PRODUCTION	08/21/2009
B	CHG 212 14 GRN/BLK TO BATT-12V OUT	08/21/2009
	WAS 14 GRN/BLK TO BATT-12V OUT	
	WAS 14 GRN/BLK TO BATT-12V OUT	
	WAS 14 GRN/BLK TO BATT-12V OUT	



LAY OF WIRE TO BE SUCH THAT WIRING EXTENDS STRAIGHT OUT FROM REAR OF CENTER OF FUSE BLOCK ASSEMBLY, AS SHOWN

CIRCUIT	DESCRIPTION	END POINTS	FUNCTION
009	12 RED	C, D	BATT-DOMES
116	14 RED/GRN	C, D	BATT-12V OUT
203	12 GRN	A, B	ACCY
204	14 RED/BLK	C, D	BATT-AUX
206	14 GRN/BLK	A, B	ACCY-AUX 1
207	12 YEL	C, D	BATT
212	14 PPL/BLK	A, B	ACCY-RADIO
214	14 GRN/WHI	A, B	ACCY-AUX 2
303	16 GRN/YEL	A, B	ACCY-FAN

NOTE: FUSES AND FUSEBLOCKS MUST BE ORIENTED AS SHOWN BELOW



- THIS IS A PURCHASED PART. NO BILL OF MATERIALS EXISTS.
- BRAIDED POLYESTER SLEEVING TO BE CLOSED AT BOTH ENDS. SLEEVING TO BE ADHESIVELY LINED HEAT SHRINK TUBING, AND TAPED [111098] 6" AT BREAKOUTS.
- VENDOR MAY REPLACE PILOTAILS WITH WIRING TO BE USED FOR CONNECTORS. PILOTAILS SHOWN IN TERMINAL VIEW.
- HARNESSES TO BE TESTED FOR CONTINUITY, SHORTS, AND CONTINUITY.
- CONNECTORS SHOWN FROM THE REVERSE SIDE, UNLESS OTHERWISE NOTED.
- SPLICES TO BE AUTOMATED WITH SOLDER, AND ADHESIVE LINED HEAT SHRINK TUBING.
- TAPE [111098] 6" AT BREAKOUTS AND 2" AT LOOM ENDS.
- HARNESSES TO HAVE A LABEL WITH THE PART NUMBER, PART NUMBER REVISION LEVEL, AND DATE OF MANUFACTURE.
- SPLIT POLY LOOM UNLESS OTHERWISE NOTED.
- OXL WIRE.

PROPRIETARY  
 THIS DOCUMENT IS THE PROPERTY OF MORGAN OLSON SERVICE PARTS. IT IS TO BE USED ONLY FOR THE PURPOSES INTENDED. IT IS NOT TO BE REPRODUCED, COPIED, OR TRANSMITTED IN ANY FORM OR BY ANY MEANS, ELECTRONIC OR MECHANICAL, INCLUDING PHOTOCOPYING, RECORDING, OR BY ANY INFORMATION STORAGE AND RETRIEVAL SYSTEM. A RELEASE FROM LIABILITY IS GRANTED TO THE USER OF THIS DOCUMENT.

**MORGAN OLSON**

DATE	T.M.	REV	DATE
08SEP09		08SEP09	08/21/09
DO NOT SCALE	RSK	2009	
HARN FUSE CTR FCC 2009 M-100			
SHT	WORKING NO.	SHT	NO.
1 OF 1	098084202		B

HARNESSES AND LOOM TOLERANCES

UP TO 60"	-0/+2
60" TO 100"	-0/+4
100" TO 200"	-0/+5
200" TO 400"	-0/+6
400" TO 600"	-0/+7
OVER 600"	-0/+8
BO TO BO	-0/+2

LENGTHS APPLY FROM BREAKOUT TO BREAKOUT OR BREAKOUT TO WIRE ENTRY SIDE OF CONNECTOR, OR END OF COVER.