



# W.B. MASON

FOR OFFICE SUPPLIES, FURNITURE & PRINTING

2014 Parts Catalog

EXPERIMENTAL PROTOTYPE TRUCK OF TOMORROW



Morgan Olson Body 2014  
Freightliner Chassis MT55

85h x 93w x 218

EPTOT

Unit # 518669 & 518670



1.800.233.4823

WWW.MORGANOLSON.COM

INTRODUCTION	3
CAB	4
WINDSHIELD	5
INSTRUMENT PANEL	6
HOOD	7-8
STEPS	9
SEATS	10
FLOOR	11
SIDES	12-13
STIFFENERS	14
ROOF	15
BACK	16
BULKHEAD	17
SIDE DOORS	18
SIDE DOOR POCKETS	19-20
REAR DOOR (ROLL UP DOOR)	21-24
SHELVES	25
BUMPERS	26
MIRRORS & WINDSHIELD WIPER ASSEMBLY	27
HEATER	28-29
ELECTRICAL	30-31
MISCELLANEOUS	32-33
WIRING DIAGRAMS	34-57

This parts guide contains illustrations and part numbers for W.B. Mason Package Cars, RYDER Unit Numbers 518669 and 518670 applies to bill of material # JV000767, JV000912 produced in 2014.

This book has been divided into chapters.

Each chapter has illustrations with part numbers and descriptions.

Each part is pointed out to help identify it. Orientation references are from the rear of the vehicle facing forward. LH (LEFT HAND) is roadside and RH (RIGHT HAND) is curbside.

#### Procedure to Order Parts

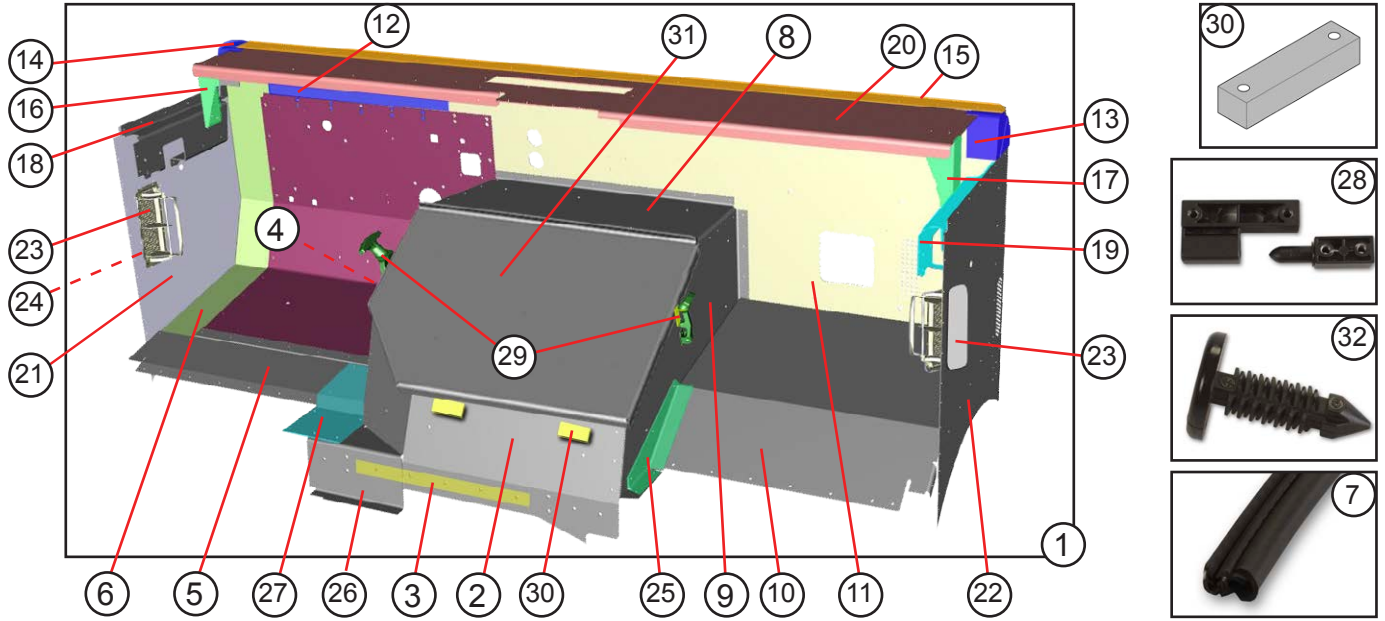
1. Depending on the part desired, turn to the appropriate section.
2. Locate the desired part on the Illustration Page(s) and note it's part number.
3. Contact a Morgan Olson Service Parts Representative. Have part numbers readily available.
4. When placing orders, please have VIN number, part numbers, serial number of roll up door.

FOR WARRANTY INFORMATION CALL 1-800-262-3437

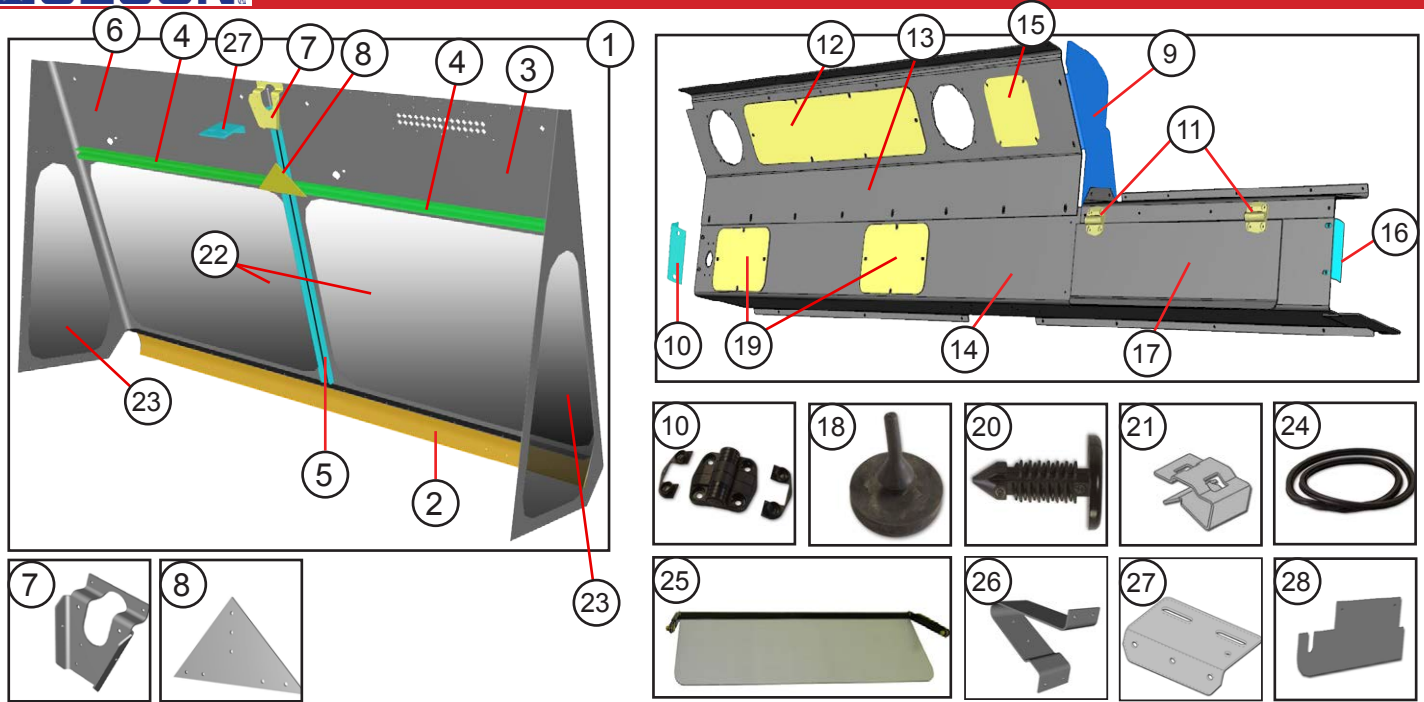
ANY QUESTIONS OR CONCERNS SHOULD BE DIRECTED TO YOUR SERVICE  
PARTS REPRESENTATIVE AT  
1-800-233-4823

At Morgan Olson, our quest for quality and safety is ongoing and therefore the specifications on the product described herein may vary over time.

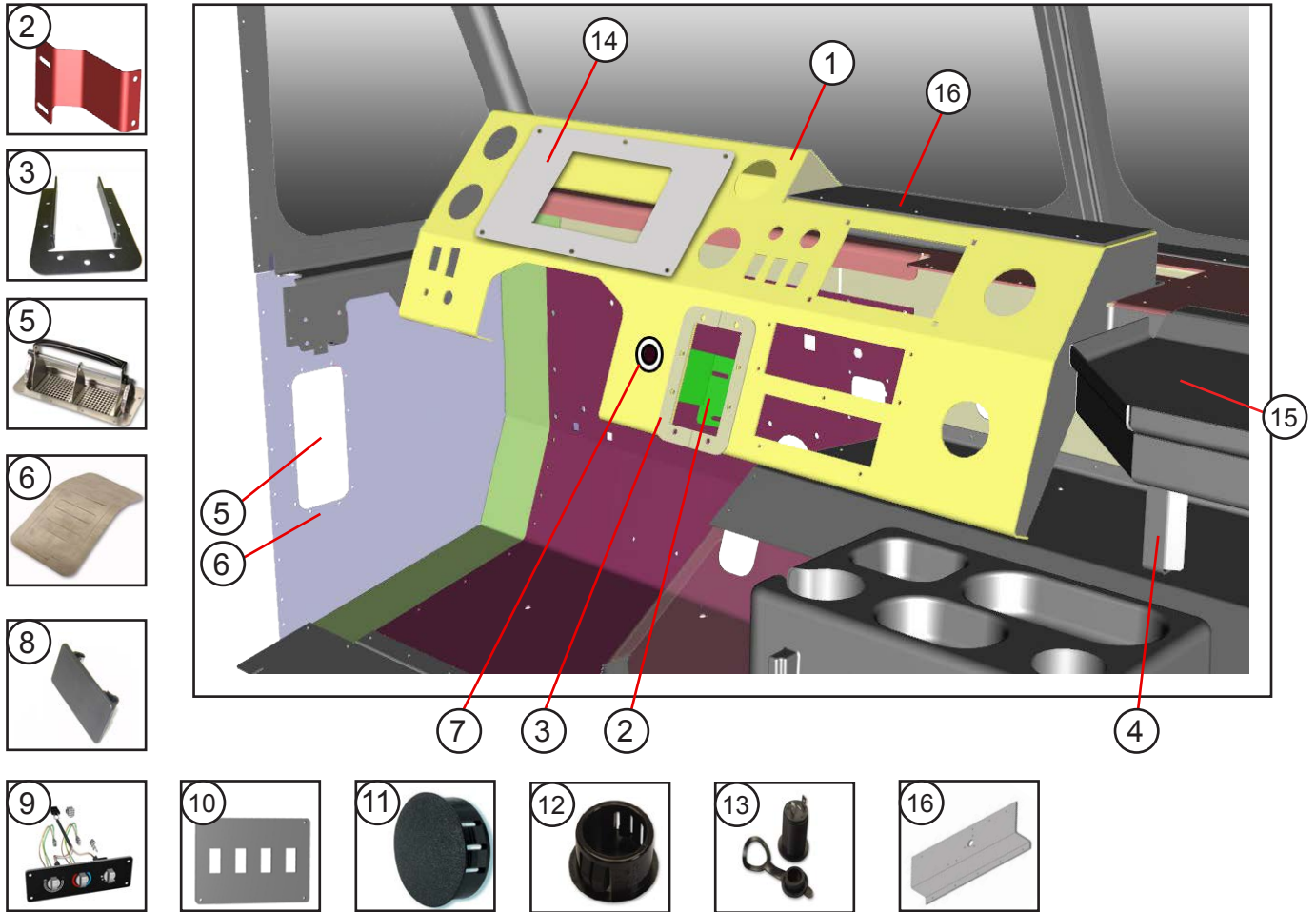
Please contact Morgan Olson for the latest product information and available safety feature options.



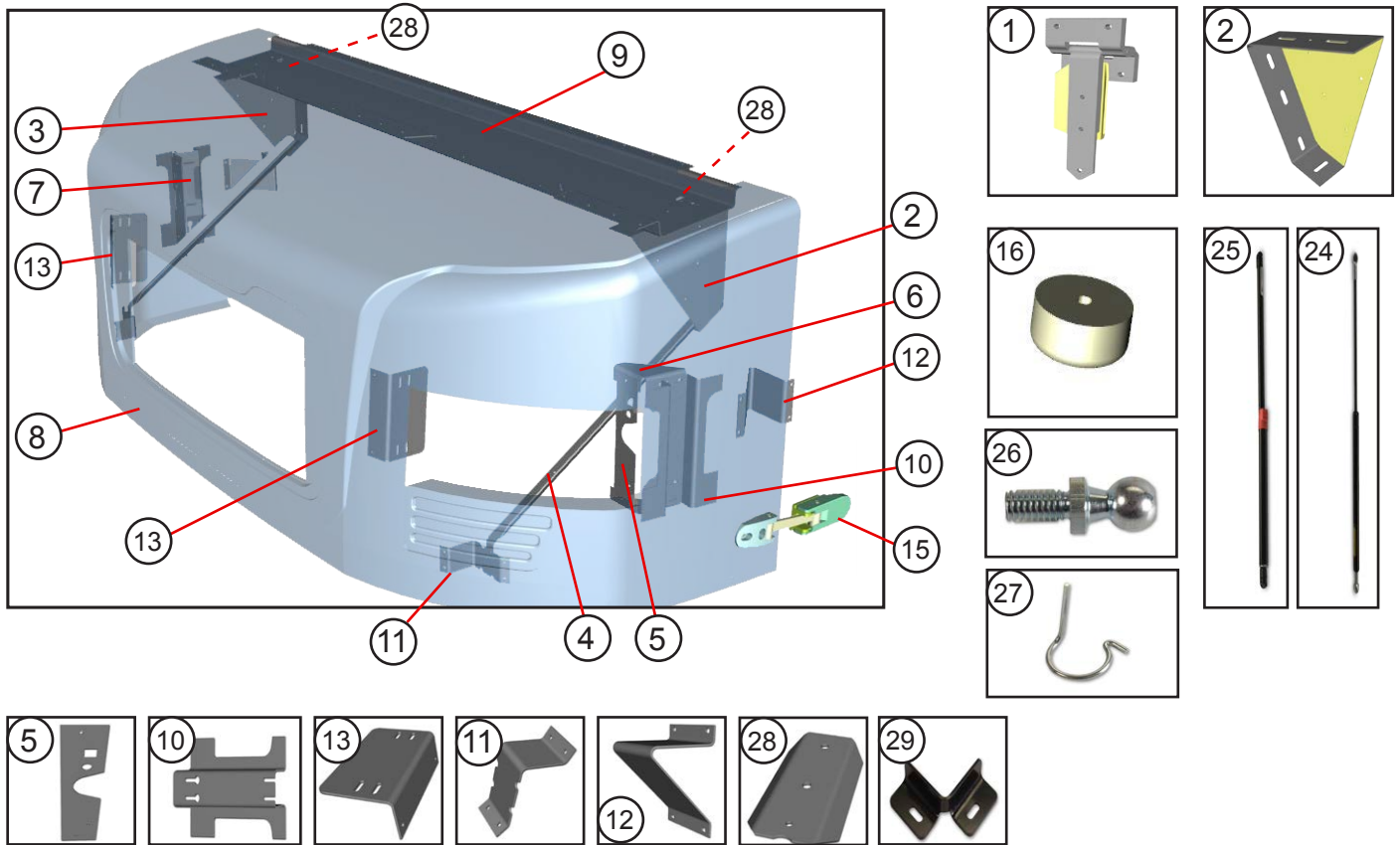
ITEM #	PART #	DESCRIPTION	QTY.	UNIT
1	138005200	CAB ASSEMBLY	1	EA
2	098005502	ENGINE BOX SADDLE	1	EA
3	077050402	SHIM	1	EA
4	098005503	ENGINE BOX SIDE ROADSIDE	1	EA
5	077050423	TOE BOARD ROADSIDE	1	EA
6	077050419	TOE BOARD DASH ROADSIDE	1	EA
7	1107270	SEAL TR SCHLEG1426-X999	8	FT
8	098005400	ENGINE BOX TOP	1	EA
9	098005501	ENGINE BOX HOUSING	1	EA
10	098005462	DASH PANEL	1	EA
11	098005472	DASH WALL CURBSIDE	1	EA
12	077050408	DASH WALL ROADSIDE	1	EA
13	8502001	CORNER CASTING CURBSIDE	1	EA
14	8502000	CORNER CASTING ROADSIDE	1	EA
15	083023402	WINDSHIELD RAIL	1	EA
16	083005418	SUPPORT RAIL ROADSIDE	1	EA
17	083005419	SUPPORT RAIL CURBSIDE	1	EA
18	077050400	STIFFENER ROADSIDE	1	EA
19	077050401	STIFFENER CURBSIDE	1	EA
20	093005512	DASH SHELF	1	EA
21	093005421	CAB SKIRT ROADSIDE	1	EA
22	135005400	CAB SKIRT CURBSIDE	1	EA
23	47008545	VENT 2 WAY HINGLESS	2	EA
24	47008548	VENT GASKET	2	EA
25	077050406	GUSSET TOE BOARD CURBSIDE	1	EA
26	077050411	FILLER SADDLE	1	EA
27	077050446	HEEL SCUFF PLATE	1	EA
28	47007859	HINGE OFFSET	2	EA
29	1113336	LATCH	2	EA
30	117028400	SHIM ENGINE BOX	2	EA
31	098028402	LID ENGINE BOX	1	EA
32	47006630	CLIP PLASTIC ROUND/HEAD 1.32-1.34	27	EA



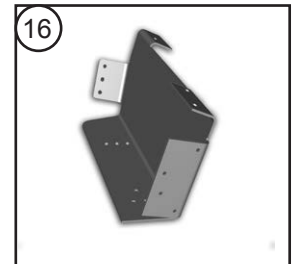
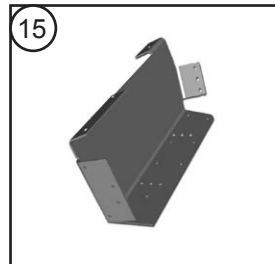
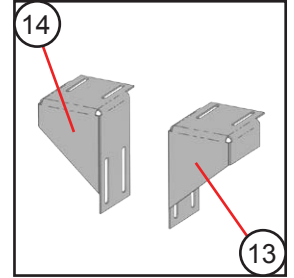
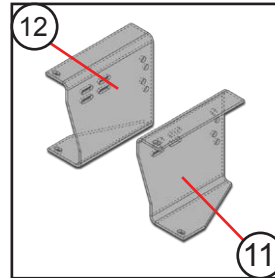
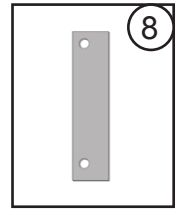
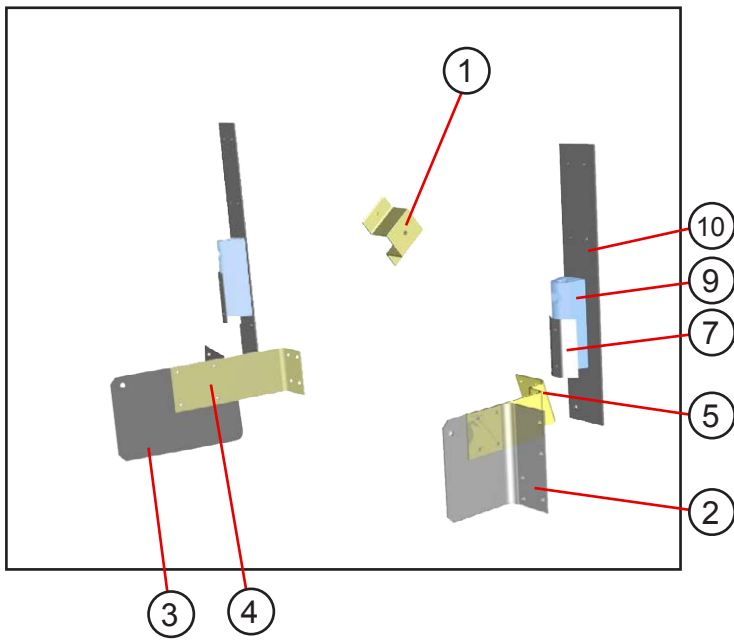
ITEM #	PART #	DESCRIPTION	QTY.	UNIT
1	148055200	WINDSHIELD ASSEMBLY 85H93W NO VENT	1	EA
2	083023402	WINDSHIELD RAIL (SEE PAGE 4 ITEM 15 )	1	EA
3	148055400	FRAME W/S AL .102X53.45X70.25 CURBSIDE	1	EA
4	077055404	STIFFENER W/S AL 450540X44.25	2	EA
5	148055402	POST W/S CENTER AL 450540X44.84	1	EA
6	148055401	FRAME WINDSHEILD ROADSIDE	1	EA
7	077055402	GUSSET FRAME W/S AL .125X6.49X7.27	1	EA
8	998555329	GUSSET FRAME W/S AL .125X4.6X9.19	1	EA
9	148076405	COVER WIPER END AL.102X13X26.28	1	EA
10	088076449	BRACKET, MOUNTING AL.102X2.36X3.9 LH	1	EA
11	47007888	HINGE	2	EA
12	097076435	PLATE COVER ACC AL.070X6X28.38	1	EA
13	148076404	COVER MOTOR WIPER AL.102X19.96X59.84	1	EA
14	148076401	SHELF LOWER WRP AL.102X18.85X87.9	1	EA
15	097076437	PLATE COVER ACC AL.070X5.75X5.75	1	EA
16	088076450	BRACKET MOUNTING AL .102X2.36X3.9 RH	1	EA
17	088076447	COVER DOOR COMPARTMENT AL .102X6.31X23	1	EA
18	1107102	PLUG BPR D/R	2	EA
19	097076436	PLATE COVER ACC AL.070X6X10	2	EA
20	47006610	CLIP PUSH IN .45HEADX.64	52	EA
21	46021115	CLIP LARGE BODY PAN	1	EA
22	96756400	GLASS WINDSHIELD	2	EA
23	148056400	GLASS SIDE TRIANGLE	2	EA
24	44004303	WEATHER STRIPPING LS-1660 X147.5	2	EA
24	44004308	WEATHER STRIPPING LS-1660 X87	2	EA
25	47005504	SUN VISOR	2	EA
26	090061400	BRACKET SUN VISOR CURBSIDE	1	EA
27	083055454	BRACKET WIPER MOTOR AL.102X4.5X4.64	1	EA
28	097076493	PANEL END COMPARTMENT AL.102X3.79X9.51	1	EA
NS	118011402	LINER ROOF CAB 452100X37.12X86.75	1	EA
NS	100011400	POLYESTER FILL ROOF LINER 4X22.5	1	EA



ITEM #	PART #	DESCRIPTION	QTY.	UNIT
1	088027200	INSTRUMENT PANEL WELDMENT	1	EA
2	107027403	BRACE I/P	1	EA
3	002027423	BRACKET SHIFTER	2	EA
4	093027402	BRACKET STIFFENER	1	EA
5	47008545	VENT 2 WAY HINGLESS	1	EA
6	47008548	GASKET VENT	1	EA
7	006327202	SPACER IGNITION SWITCH	1	EA
8	46023506	PLUG HL ROCKER SWITCH BLACK	3	EA
9	555001413	PANEL CONTROL HVAC	1	EA
10	098027405	PLATE COVER INSTRUMENT PANEL	1	EA
11	44000117	PLUG HL BLACK	1	EA
12	1111513	PLUG HL BLACK	1	EA
13	46026378	RECEPTICLE 12V POWER W/TETHER SS BODY	1	EA
14	098027402	PLATE ADAPTOR	1	EA
15	47000100	SHELF AL. WORK STATION 30"	1	EA
16	098027404	I/P END CTR AL.102X8.4X18.5	1	EA
NS	119084400	BRACKET AIR GUAGE AL.102X8.07X12.03	1	EA

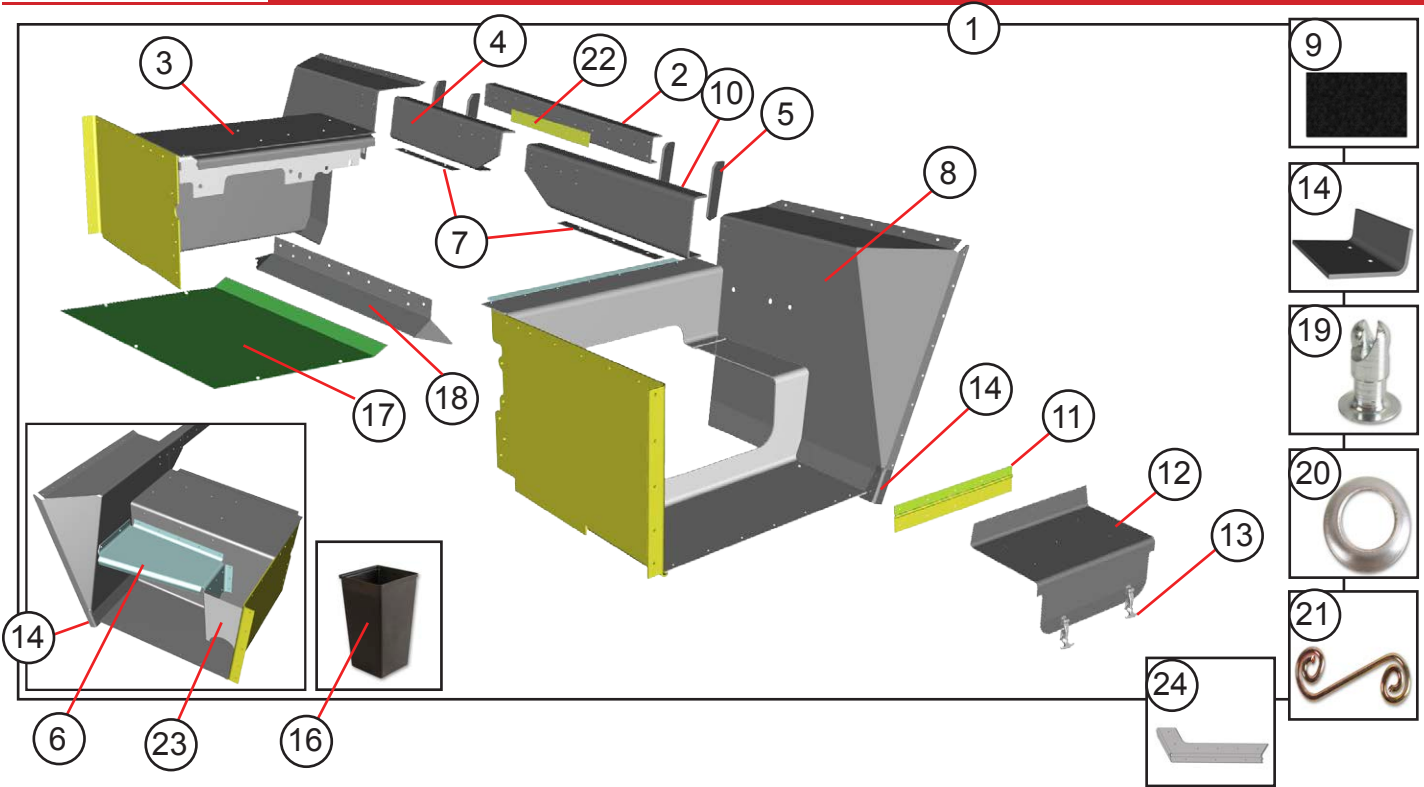


ITEM #	PART #	DESCRIPTION	QTY.	UNIT
1	47007900	HINGE AL STRAP W/ZERK .25 OFF SET	2	EA
2	088017264	BRACKET HINGE WELDMENT ROADSIDE (SHOWN)	1	EA
3	088017263	BRACKET HINGE WELDMENT CURBSIDE	1	EA
4	006017420	BRACE HOOD AL .102X3.12X29.88	2	EA
5	006017430	PLATE MOUNTING AL .102X2.7X11.75	2	EA
6	006017429	BRACKET LAMP AL .102X5.76X19.68	2	EA
7	006017428	BRACKET LAMP ANGLE AL ANG .102X5.62X8	2	EA
8	45200799	HOOD FIBREGLASS 93W	1	EA
9	006017402	STIFFENER AL .125X15X80.5	1	EA
10	006017424	BRACKET HEADLAMP AL .102X10.35X11.75	2	EA
11	006017426	BRACKET SUPPORT FRONT AL .102X2.5X8.0	2	EA
12	006017427	BRACKET SIDE AL .102X4X11.67	2	EA
13	006017425	BRACKET HEADLAMP INBOARD AL .102X6.44X8	2	EA
NS	44004077	SEAL TAPE #1458BTXFT	4.42	FT
15	47000613	LATCH HOOD	2	EA
16	44002004	BUMPER RUBBER HOOD LATCH	2	EA
NS	CFGRILLEM2	GRILLE	1	EA
NS	CFBADGEM2	GRILLE BADGE	1	EA
24	47006018	SPRING GAS SUSPA #C16-04650	1	EA
25	47006051	SPRING GAS WITH LOCK	1	EA
26	40900019	STUD BALL SUSPA #P67-00002	4	EA
27	40900020	STUD BALL CLIP	4	EA
28	088017453	CHANNEL STIFFENER HINGE AL.125X4.1X7.11	2	EA
29	96713300	ANGLE STEEL S 11GAX1.85X4.74	2	EA

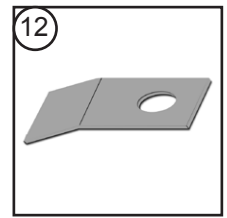
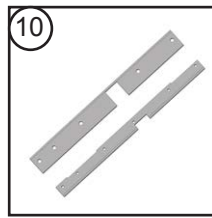
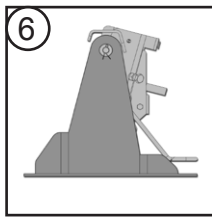
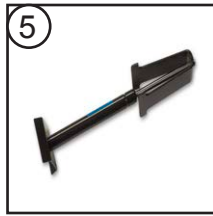
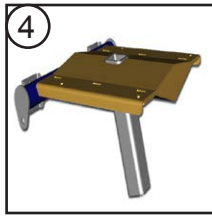


ITEM #	PART #	DESCRIPTION	QTY.	UNIT
1	006017433	STIFFENER HAT AL 450139X2.5	2	EA
2	088016400	BRACKET HOOD PROP ROADSIDE STL7GAX7.22X9.17L	1	EA
3	088016401	BRACKET HOOD PROP CURBSIDE STL7GAX7.22X9.17R	1	EA
4	098016402	BRACE HOOD BRACKET CURBSIDE STL7GA X3.5X12.12	1	EA
5	098016401	BRACE HOOD BRACKET ROADSIDE STL7GA X4.25X14.12	1	EA
6	43000597	LABEL HOOD PROPER INSTRUCTIONS	1	EA
7	088017445	BRACKET HOOD STOP AL.102X2.92X4	2	EA
8	087015400	BUMPER BACKER AL.102X.88X6	2	EA
9	44002014	REST HOOD BUMPER RUBBER	2	EA
10	088017444	PLATE BACKER HOOD STOP AL.188X3X19	2	EA
11	109008400	FRAME EXTENSION ROADSIDE STL.312X13.44X20.11LH	1	EA
12	109008401	FRAME EXTENSION CURBSIDE STL.312X13.44X20.11RH	1	EA
13	094015400	BRACKET HOOD REST ROADSIDE 11GAX11.79X14.54LH	1	EA
14	094015401	BRACKET HOOD REST CURBSIDE 11GAX11.79X14.54RH	1	EA
15	077260400	SPLASH PAN AL .125X11.27X21.36LH	1	EA
16	077260404	SPLASH PAN AL .125X8.47X19.23RH	1	EA

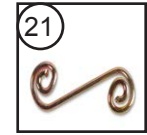
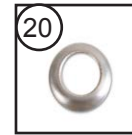
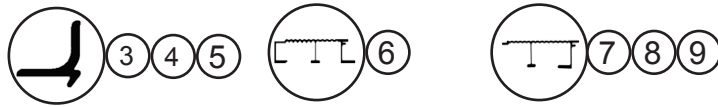
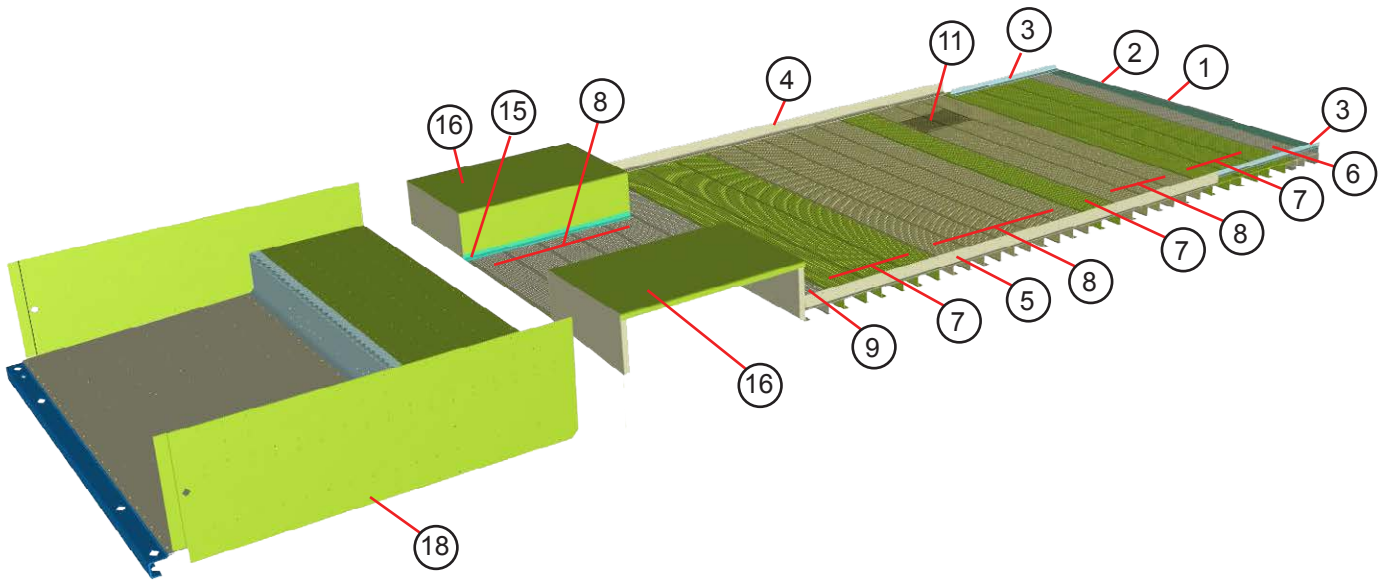




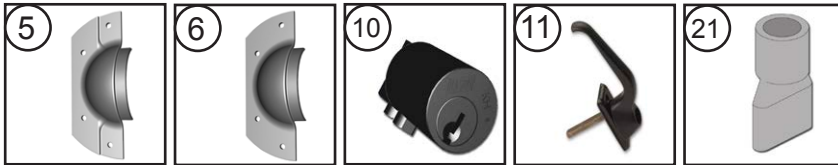
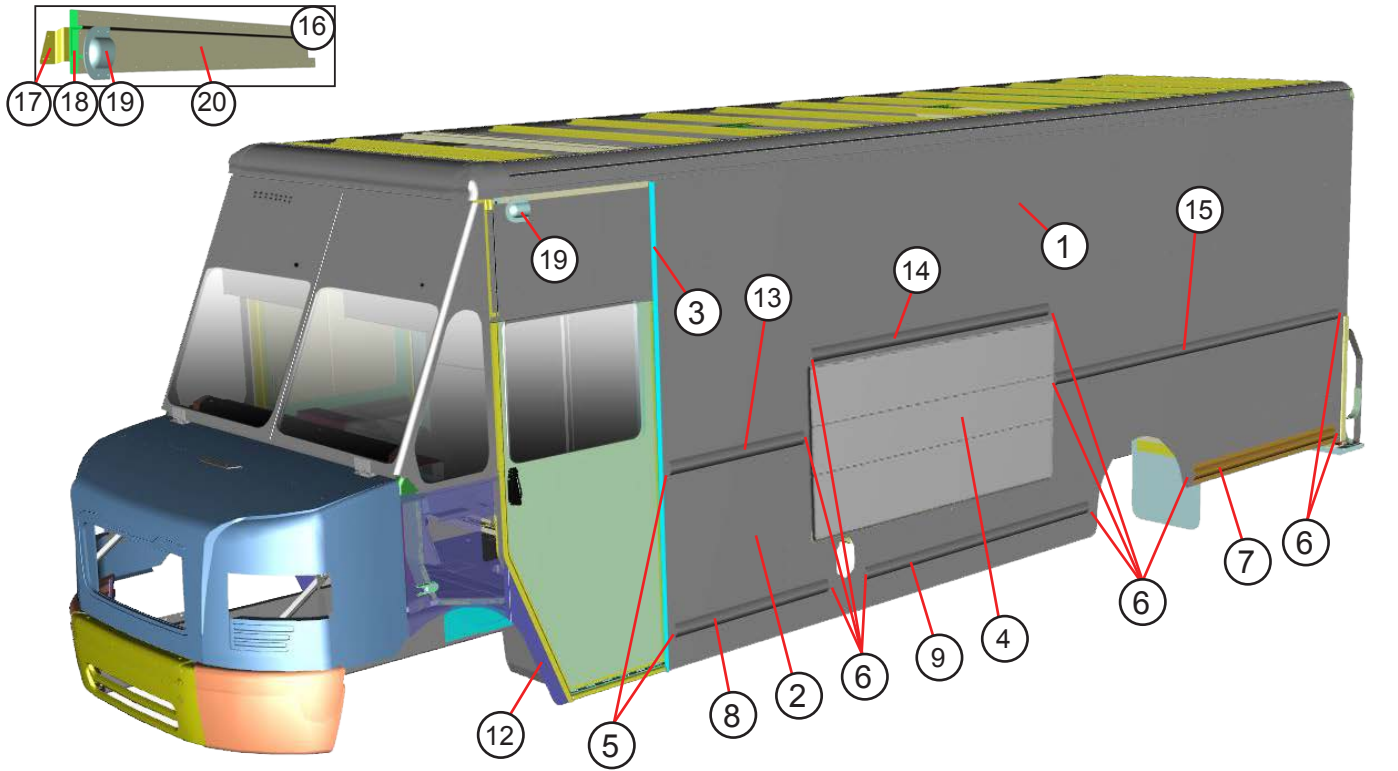
ITEM #	PART #	DESCRIPTION	QTY.	UNIT
1	088024021	STEP INSTALLATION CAB 93W MT55 2DR EM08	1	EA
2	077240400	CROSSMEMBER CENTER AL 456106X41	1	EA
3	088024243	STEP ASSEMBLY ROADSIDE	1	EA
4	083024464	CHANNEL CROSSMEMBER AL 456109X27 LH	1	EA
5	077240438	GUSSET AL .25X2.25X5.63	4	EA
6	077240468	STEP MID ALD.125X13.61X26.19 ROADSIDE	1	EA
7	088024417	SHIM OUTRIGGER AL .125XX1.75X18.6	2	EA
8	118024203	STEP ASSEMBLY CURBSIDE	1	EA
9	96724608	PAD DAMPENING 45200007X9X20	1	EA
10	083024465	CHANNEL CROSSMEMBER AL 456109X27 RH	1	EA
11	006324498	HINGE AL .075X1.12X1.75X21	1	EA
12	118024404	LID BATTERY ALD .125X22.25X24.82	1	EA
13	1113334	LATCH STEP	2	EA
14	084024415	RISER CORNER AL .125X3.61X3.5	2	EA
16	45200051	TRASH BIN	1	EA
17	108024201	TRANVERSE WELDMENT	1	EA
18	077024402	ANGLE FLOOR TRANVERSE	1	EA
19	40900080	STUD	6	EA
20	40900081	GROMMET HALF	6	EA
21	40900082	SPRING	6	EA
22	077050402	SHIM (BETWEEN SADDLE AND TRANVERSE ANGLE)	1	EA
23	077240433	BRACKET TRASH	1	EA
NS	1107235	MAT RUBBER RIBBED .125X30X FT	4	FT
24	100019404	TRIM TOEBOARD ALD.08X7.89X25.14 LH	1	EA



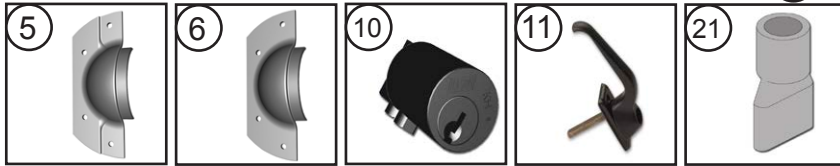
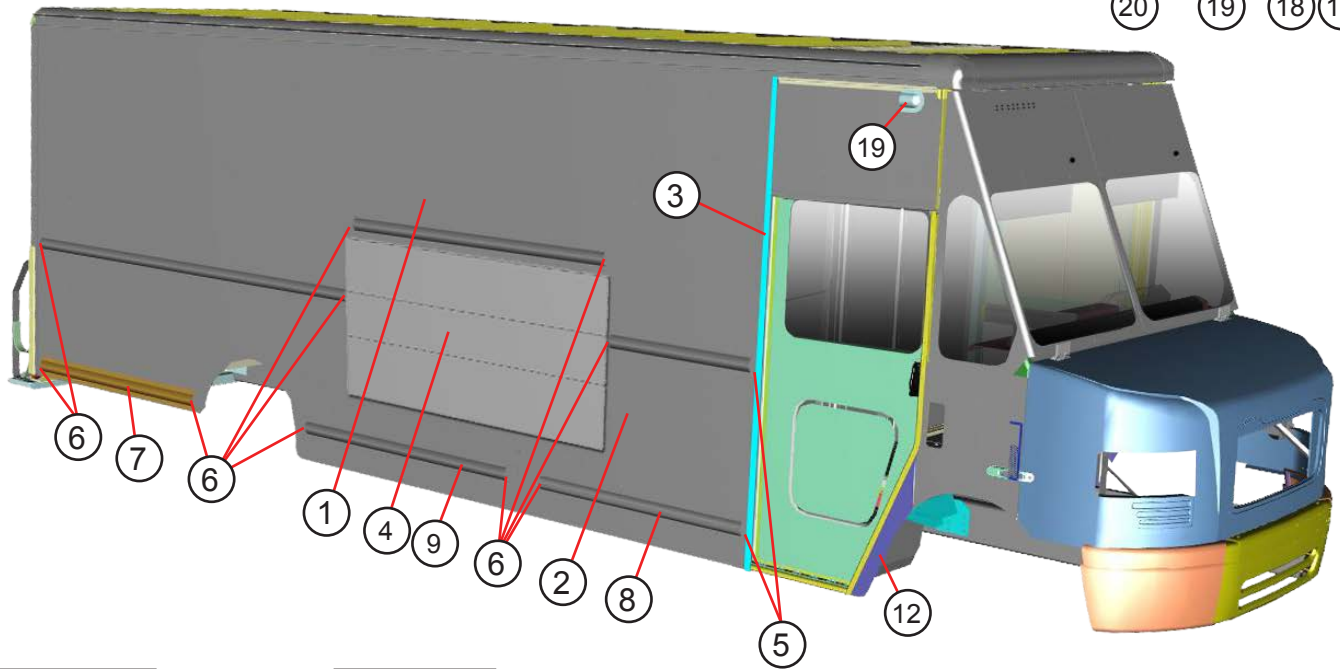
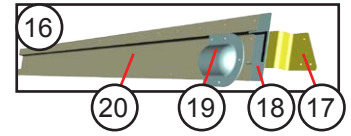
ITEM #	PART #	DESCRIPTION	QTY.	UNIT
1	47004325	SEAT VINYL BLACK 3PNT/IN W/O ARMS LH	2	EA
2	47004330	ARM REST BLACK SEAT 3PNT/IN RH	1	EA
3	47004329	ARM REST BLACK SEAT 3PNT/IN LH	1	EA
4	47004332	PEDESTAL SEAT UPPER 3PNT/IN FCC	1	EA
5	47003636	SPRING GAS SEAT HOLDER ASSEMBLY	1	EA
6	47012659	SEAT SOC/PEDESTAL BASE FRE 3PNT TILT	1	EA
7	47005319	S/BELT 3PNT/IN OG MET STRP150"	1	EA
8	47004972	SEAT HEADBACK REST CTUR BLK VNL FRE	1	EA
9	47004973	SEAT BLACK JUMP FOLDING	1	EA
10	91614300	ANGLE AL FLOOR .188X2.84X19.1	1	EA
11	47004366	S/BELT W/BOOT BLKH 3PNT OG R	1	EA
12	130070403	WASHER SEAT BASE	2	EA
NS	91614301	STIFFENER BULKHEAD FOR JUMP SEAT AL 450043X29.12	1	EA
NS	91614302	STIFFENER BULKHEAD FOR JUMP SEAT AL 450043X29.62	1	EA



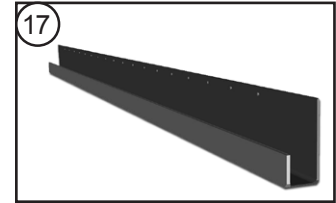
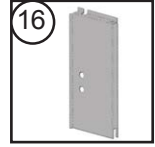
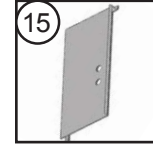
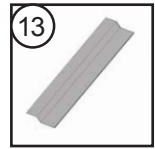
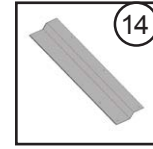
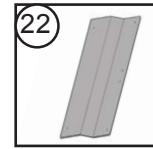
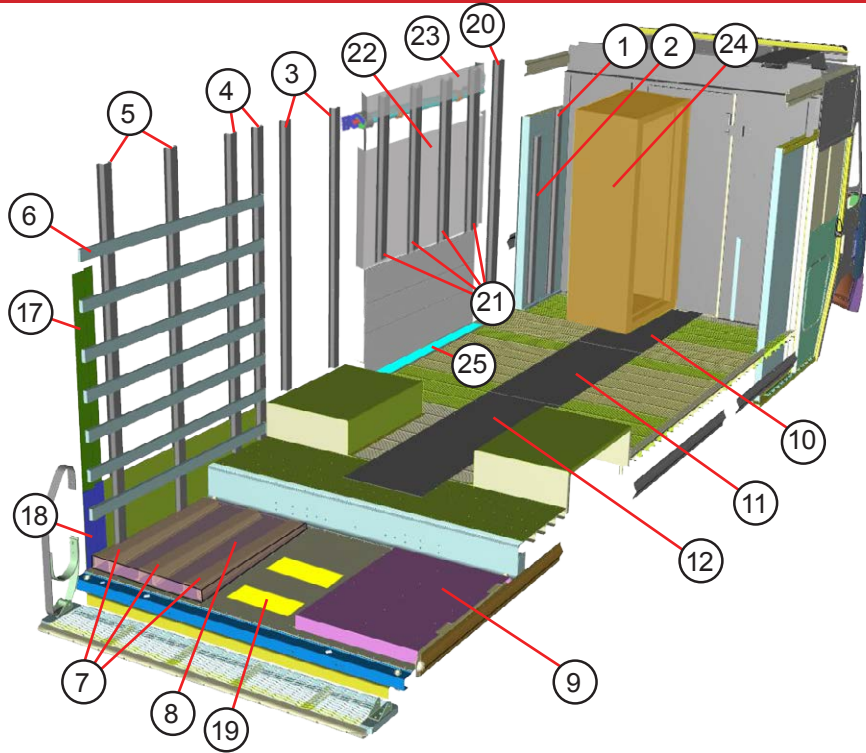
ITEM #	PART #	DESCRIPTION	QTY.	UNIT
1	001730416	ANGLE STEP AL450187X33.38	1	EA
2	05M234043	BEAM @ O/LINE AL 450394X86.38	1	EA
3	001730410	ANGLE FLOOR DROP 450303X36.62	2	EA
4	005730402	ANGLE FLOOR AL 450304X110.47 LH	1	EA
5	005730403	ANGLE FLOOR AL 450304X110.47 RH	1	EA
6	45061101	BEAM AL FLOOR H/D RIB 7X92.19	1	EA
7	45061301	BEAM AL FLOOR RIB 9X92.19	7	EA
8	45061202	BEAM AL FLOOR H/D RIB 8X92.19	8	EA
9	45061401	BEAM AL FLOOR H/D RIB 8.5X92.19	1	EA
10	05M234018	PLATE SUPPORT DOOR AL .125X14X14.2	1	EA
11	96730416	DOOR ACCESS AL .125X10.87X12.78	1	EA
12	40900080	STUD DZUS	2	EA
13	40900081	GROMMET HALF	2	EA
14	40900082	SPRING	2	EA
15	001734404	ANGLE W/BX AL 450018X40	2	EA
16	005734200	WHEEL BOX ASSEMBLY	2	EA
17	45061201	BEAM AL FLOOR H/D RIB 8X85.5	3	EA
18	06M287015	FLOOR DROP WELDMENT 93W MT55 22'	1	EA
NS	094078418	ANGLE SUPPORT AL 450523X9.88	2	EA
NS	096100402	FLOOR OVERLAY FORWARD ALD.08X35.75X123	1	EA
NS	96367401	FLOOR OVERLAY 16' ALD .08X35.75X57.2	1	EA



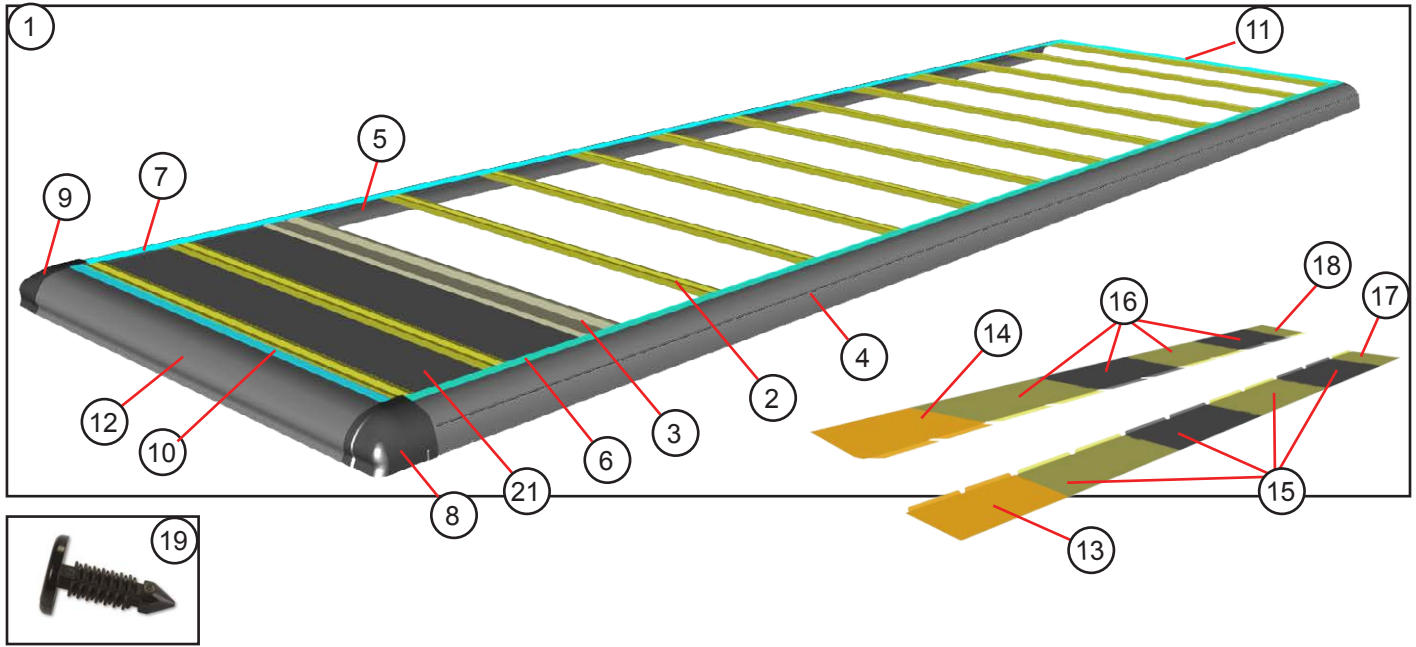
ITEM #	PART #	DESCRIPTION	QTY.	UNIT
1	148038402	SIDE UPPER AL .102X60X265.31 LH	1	EA
2	148037403	SIDE LOWER AL.125X41.79X265.31 LH	1	EA
3	148038404	POST B AL 450274X99.62 LH	1	EA
4	47005894	ROLL UP DOOR ROADSIDE 38X85.25	1	EA
5	1100800	END CAP FORWARD AL.125X2.37X5.5	2	EA
6	1100799	END CAP REAR FL AL.125X2.37X5.5	10	EA
7	05M234049	RUB/RAIL LOWER REAR AL 450002X70	1	EA
8	096110402	RUB/RAIL LOWER FRONT AL450002X46 LH	1	EA
9	096110403	RUB/RAIL LOWER MID AL450002X82.5 LH	1	EA
10	47001194	HANDLE CYL REMOVABLE	1	EA
11	47001176	HANDLE BLACK NO CYL	1	EA
12	098022400	CAB SKRT TAIL AL.07X5.76X36.83 LH	1	EA
13	148039401	RUB/RAIL UPPER FRONT AL450002X39.48	1	EA
14	096110403	RUB/RAIL UPPER MID AL450002X82.5 LH	1	EA
15	148039400	RUB/RAIL UPPER REAR AL450002X130	1	EA
16	097042000	STIFFENER HEADER INSTALLATION (ITEMS 17,18,19,20)	1	EA
17	96742302	CLIP AL Z .102X3X9.57	1	EA
18	45100074	CAP RAIL END	1	EA
19	47008533	VENT CAP PLASTIC END	1	EA
20	083042400	STIFFENER HEADER AL450328X73.75 ROADSIDE	1	EA
21	44001006	DRAIN RUBBER KAZOO FOR PIPE	1	EA



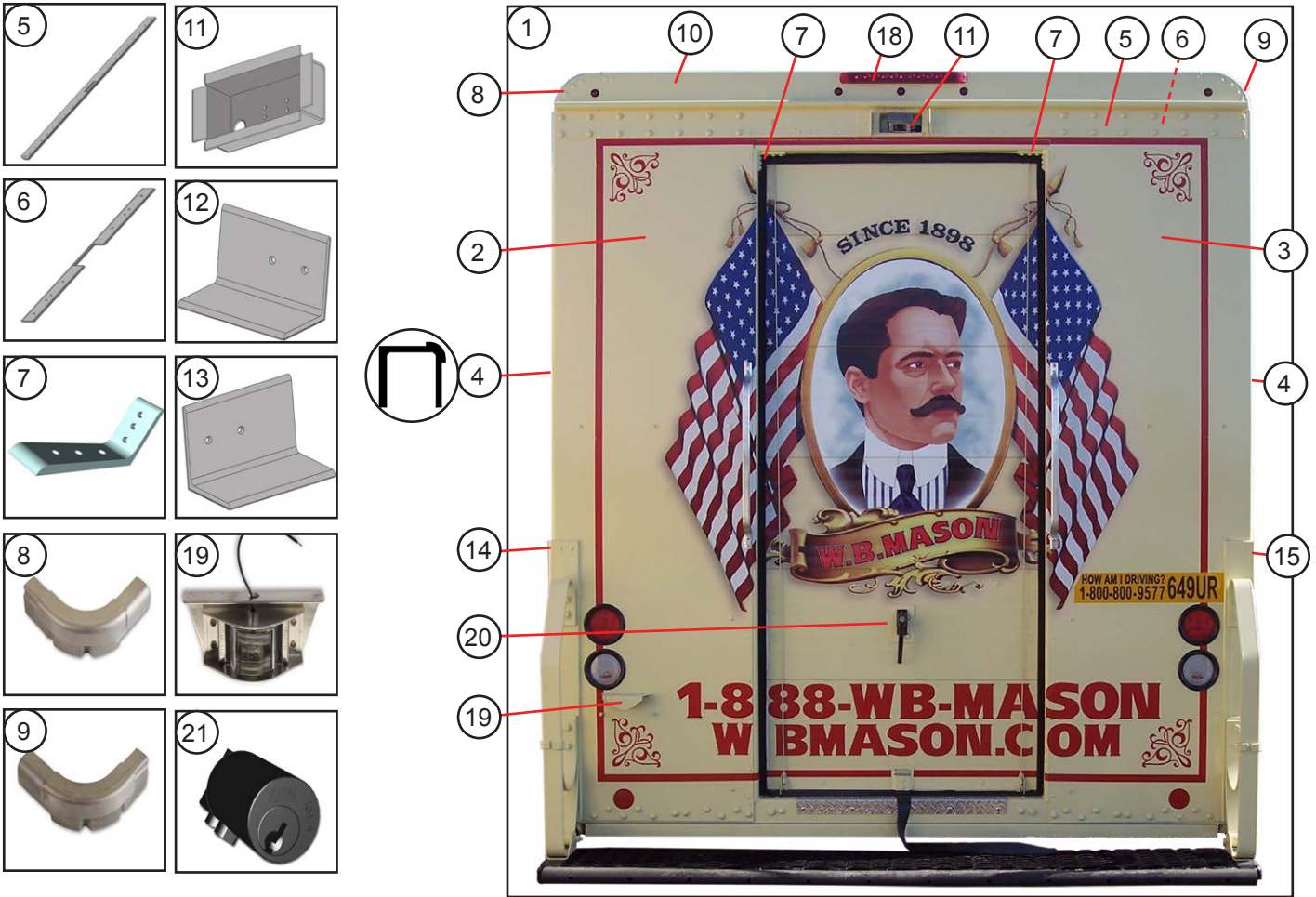
ITEM #	PART #	DESCRIPTION	QTY.	UNIT
1	148038402	SIDE UPPER AL .102X60X265.31 RH	1	EA
2	148037404	SIDE LOWER AL.125X41.79X265.31 RH	1	EA
3	148038405	POST B AL 450274X99.62 RH	1	EA
4	47005894	ROLL UP DOOR CURBSIDE 38X85.25	1	EA
5	1100800	END CAP FORWARD AL.125X2.37X5.5	2	EA
6	1100799	END CAP REAR FL AL.125X2.37X5.5	10	EA
7	05M234049	RUB/RAIL LOWER REAR AL 450002X70	1	EA
8	096110401	RUB/RAIL LOWER FRONT AL450002X71 RH	1	EA
9	096110400	RUB/RAIL LOWER MID AL 450002X59 RH	1	EA
10	47001194	HANDLE CYL REMOVABLE	1	EA
11	47001176	HANDLE BLACK NO CYL	1	EA
12	098022401	CAB SKRT TAIL AL.07X5.76X36.83 RH	1	EA
13	148039401	RUB/RAIL UPPER FRONT AL450002X39.48	1	EA
14	096110403	RUB/RAIL UPPER MID AL450002X82.5 RH	1	EA
15	148039400	RUB/RAIL UPPER REAR AL450002X130	1	EA
16	127042000	STIFFENER HEADER INSTALLATION (ITEMS 17,18,19,20)	1	EA
17	96742302	CLIP AL Z .102X3X9.57	1	EA
18	45100074	CAP RAIL END	1	EA
19	47008533	VENT CAP PLASTIC END	1	EA
20	083042401	STIFFENER HEADER AL450328X73.75 CURBSIDE	1	EA
21	44001006	DRAIN RUBBER KAZOO FOR PIPE	1	EA



ITEM #	PART #	DESCRIPTION	QTY.	UNIT
1	148048416	STIFFENER @ DOOR POCKET HAT AL450039X66.88	2	EA
2	148048415	STIFFENER @ DOOR POCKET HAT AL450039X60.00	2	EA
3	148048411	STIFFENER @ WHEEL BOX AL450039X76.25	4	EA
4	148048412	STIFFENER @ AFT W/BX AL450039X86.97	4	EA
5	148048413	STIFFENER @ DROP FLOOR AL450039X96.07	4	EA
6	138046402	SLAT HARDWOOD .75X2.62X5.92 BEVEL EDGE	14	EA
7	06M287424	STIFFENER DROP FLOOR HAT AL .125X11.8X43.14	6	EA
8	06M287425	PLATE COVER AL.125X32.12X48.54 LH	1	EA
9	06M287426	PLATE COVER AL.125X32.12X48.54 RH	1	EA
10	138100421	FLOOR OVERLAY FBG.125X24X63.75	1	EA
11	138100404	FLOOR OVERLAY FBG.125X24X61.25	1	EA
12	138100405	FLOOR OVERLAY FBG.125X24X81.25	2	EA
20	148048410	STIFFENER SIDE 91H AL450039X84	2	EA
21	148048414	STIFFENER RUD/POCKET AL450039X46	8	EA
22	148130402	COVER RUD AL.102X48X96.14	2	EA
23	148130403	COVER RUD AL.102X15.88X88	2	EA
24	990002158	CABINATE 23 CUBIC FEET F/O DCI CLR (RYDER UNIT#518669)	1	EA
24	990002098	CABINATE 15 CUBIC FEET F/O DCI CLR (RYDER UNIT#518670)	1	EA
25	148130401	SILL DROP SILL AL.102X4X86	2	EA
<b>LAMP GUARD PANELS</b>				
13	005106405	GUARD Z UPPER AL .125X9.25X54 LH	1	EA
14	005106406	GUARD Z UPPER AL .125X9.25X44.5 RH	1	EA
15	06M287421	GUARD LAMP AL .125X28.52X52.69 LH	1	EA
16	096087400	GUARD LAMP AL.125X28.52X52.69 RH	1	EA
17	107087402	GUARD WIRING REAR AL450006X38	1	EA
18	005106403	GUARD LAMP Z AL .125X9.15X16.46 (ROADSIDE SHOWN)	2	EA
19	098137406	PLATE STEP FBG .125X10X16	3	EA

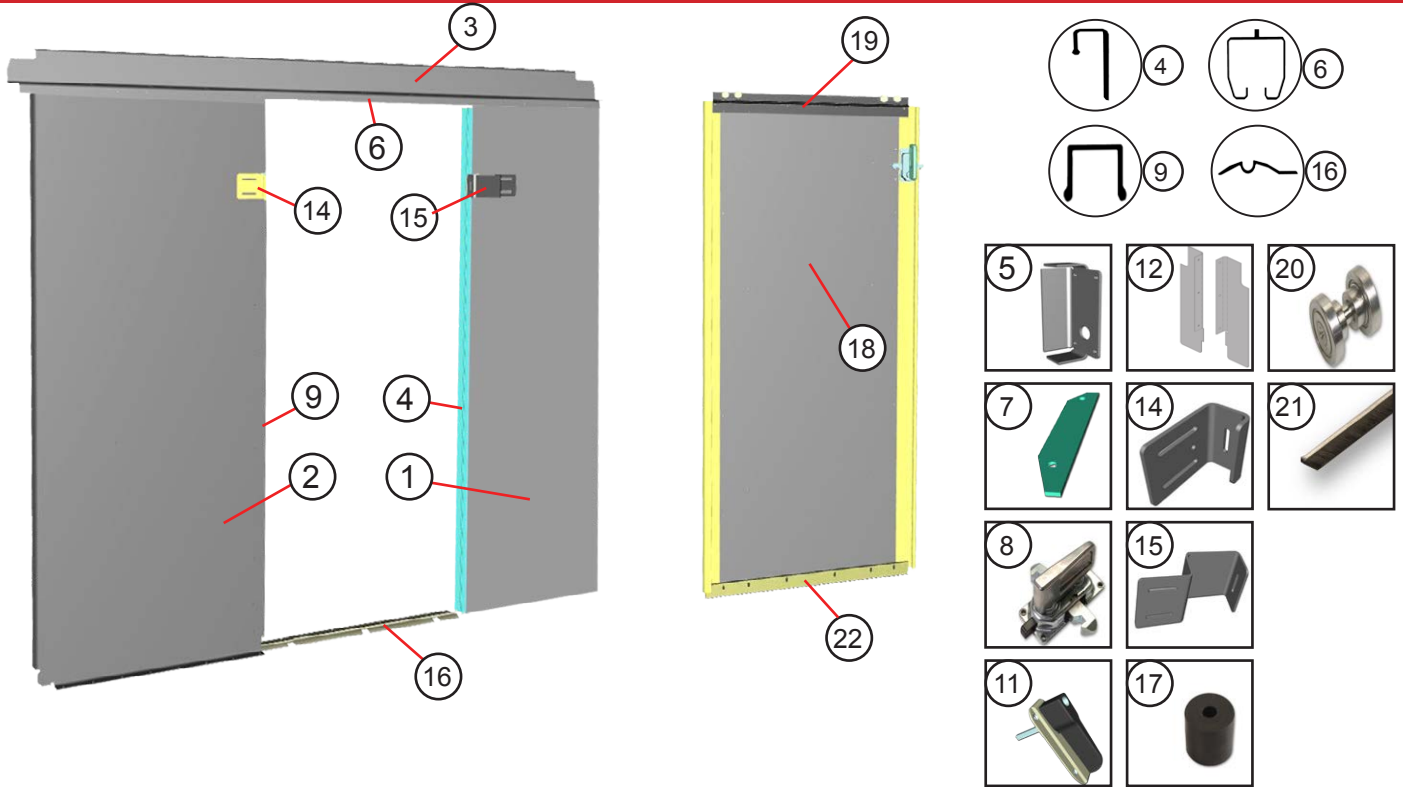


ITEM #	PART #	DESCRIPTION	QTY.	UNIT
1	096010002	ROOF AL OR FBG ASSEMBLY 21'4"93W D/FLR	1	EA
2	45601603	ROOF BOW STEEL 16GA SEC456016 X89.12	14	EA
3	118010402	ROOF BOW @ O/LINE 14GA GLNX9.54X89.12	1	EA
4	096010400	RAIL ROOF 22 ' AL456144X301.12 LH	1	EA
5	096010401	RAIL ROOF 22 ' AL456144X301.12 RH	1	EA
6	096010402	RAIL INTERLINK ROOF AL450140X301.12 LH	1	EA
7	096010403	RAIL INTERLINK ROOF AL450140X301.12 RH	1	EA
8	077100400	CORNER AL CAST ROOF LH	1	EA
9	077100401	CORNER AL CAST ROOF RH	1	EA
10	89310506	NOSE RF INTLK AL 45014X82.38	1	EA
11	89310507	RAIL INTERLINK TRANSOM AL 450140X79.88	1	EA
12	083010400	NOSE 93W AL 456107X82.5	1	EA
NS	45200851	SKIN FBG ROOF .075X82.25XFT	1	EA
<b>CARGO ROOF LINER</b>				
13	083011500	LNR RF EMB .023X29.65X49 LH	1	EA
14	083011501	LNR RF EMB .023X29.65X49 RH	1	EA
15	083011502	LNR 49' EMB .023X29.65X49 LH	4	EA
16	083011503	LNR 49' EMB .023X29.65X49 RH	4	EA
17	096011408	LNR AL.023EMBX20.88X29.65 LH	1	EA
18	096011409	LNR AL.023EMBX20.88X29.65 RH	1	EA
19	47006610	CLIP PLASTIC FLAT HEAD .45HEADX.64	164	EA
NS	1109001	INSULATION FBG 1X48X100FT	38.5	FT
<b>CAB ROOF LINER</b>				
21	118011402	LNR ROOF CAB 452100X37.12X86.75	1	EA
NS	100011400	POLYST FIL RFLNR4200200 4X22.5	3	EA
NS	1109001	INSULATION FBG 1X48X100FT	7.25	FT
19	47006610	CLIP PLASTIC FLAT HEAD .45HEADX.64	52	EA

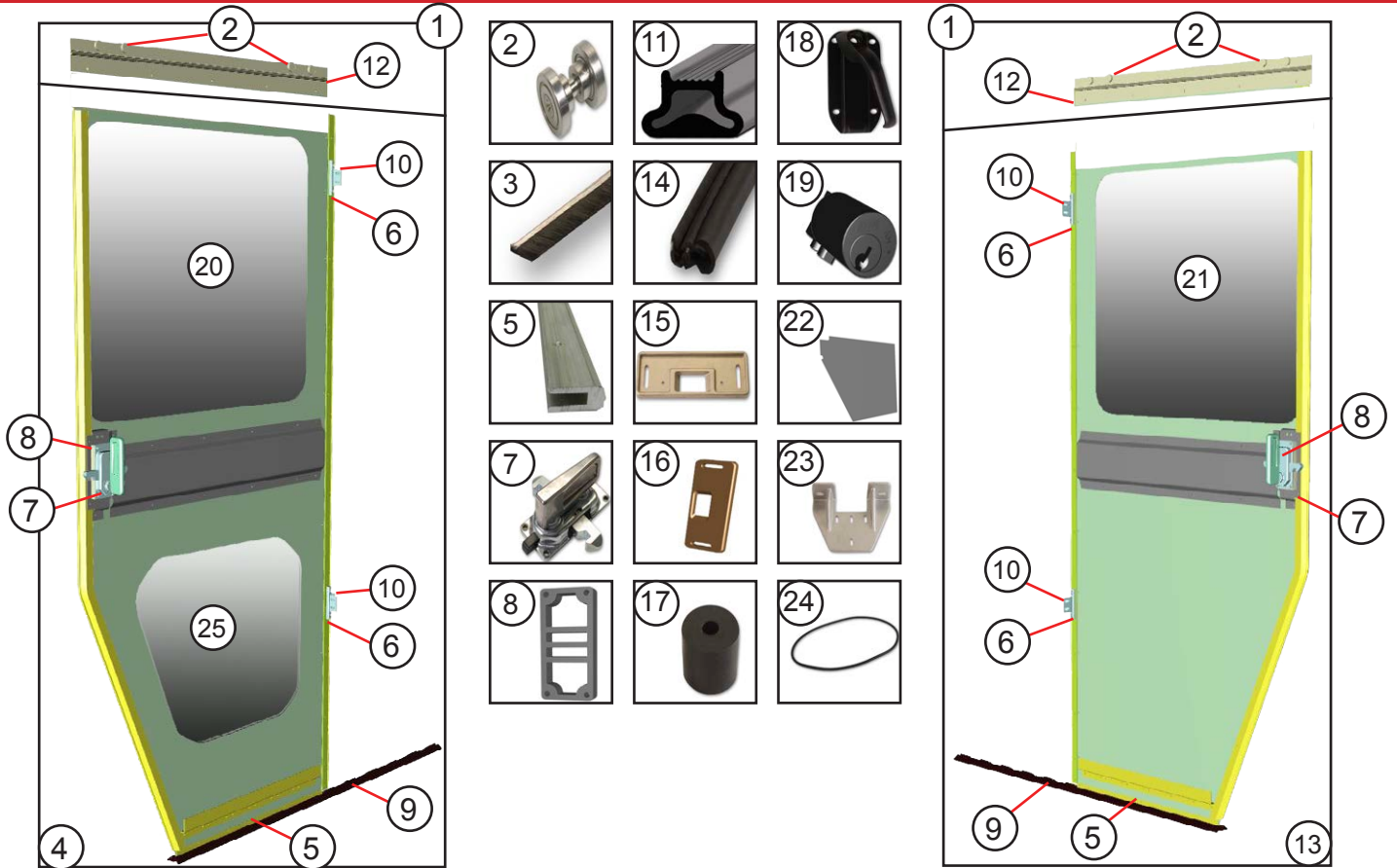


ITEM #	PART #	DESCRIPTION	QTY.	UNIT
1	148053200	BACK ASSEMBLY 91H93W 38" RUD D/FLR	1	EA
2	148053401	PANEL BACK AL.188X30.79X101 LH	1	EA
3	148053402	PANEL BACK AL.188X30.79X101 RH	1	EA
4	148053400	POST JAMB AL450359X92.85	2	EA
5	007750408	EXTENSION TRANSOM AL .125X5.86X85.88	1	EA
6	007750407	SPACER SHIM AL .188X1.88X39.44	1	EA
7	93181302	ANGLE CLIP HEADER AL 450198X1	2	EA
8	45100098	CORNER AL CAST ROOF REAR LH	1	EA
9	45100099	CORNER AL CAST ROOF REAR RH	1	EA
10	096050415	TRANSOM AL450352X91.62	1	EA
11	007750203	HOUSING CAM BACK UP ASSEMBLY	1	EA
12	137094401	GUARD CAM AL450523X3.25 LH	1	EA
13	137094402	GUARD CAM AL450523X3.25 RH	1	EA
14	118050409	ANGLE REINFORCEMENT OUTER AL 450176X37.69	1	EA
15	118050410	ANGLE REINFORCEMENT OUTER AL 450176X37.69	1	EA
NS	118050407	REINFORCEMENT INNER AL.188X9.35X35.13 LH	1	EA
NS	118050408	REINFORCEMENT INNER AL.188X9.35X35.13 RH	1	EA
18	46001905	LAMP AUX S/LH+RH TURN BAR	1	EA
19	1111001	LAMP LICENSE PLATE	1	EA
20	47001176	HANDLE REAR BLACK NO CYL	1	EA
21	47001194	HANDLE CYL REMOVABLE	1	EA

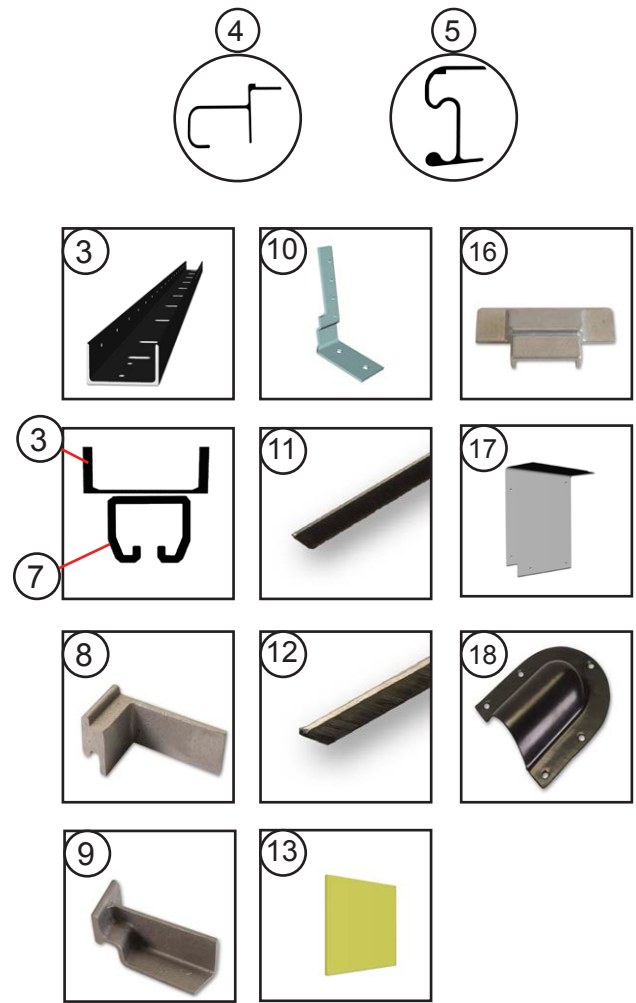
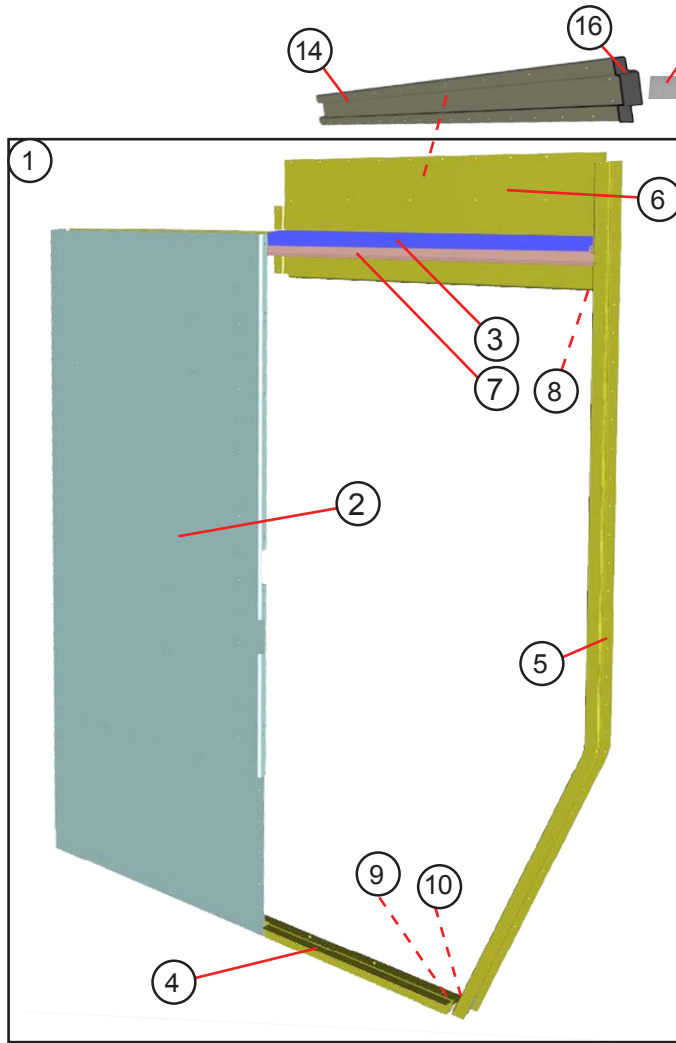




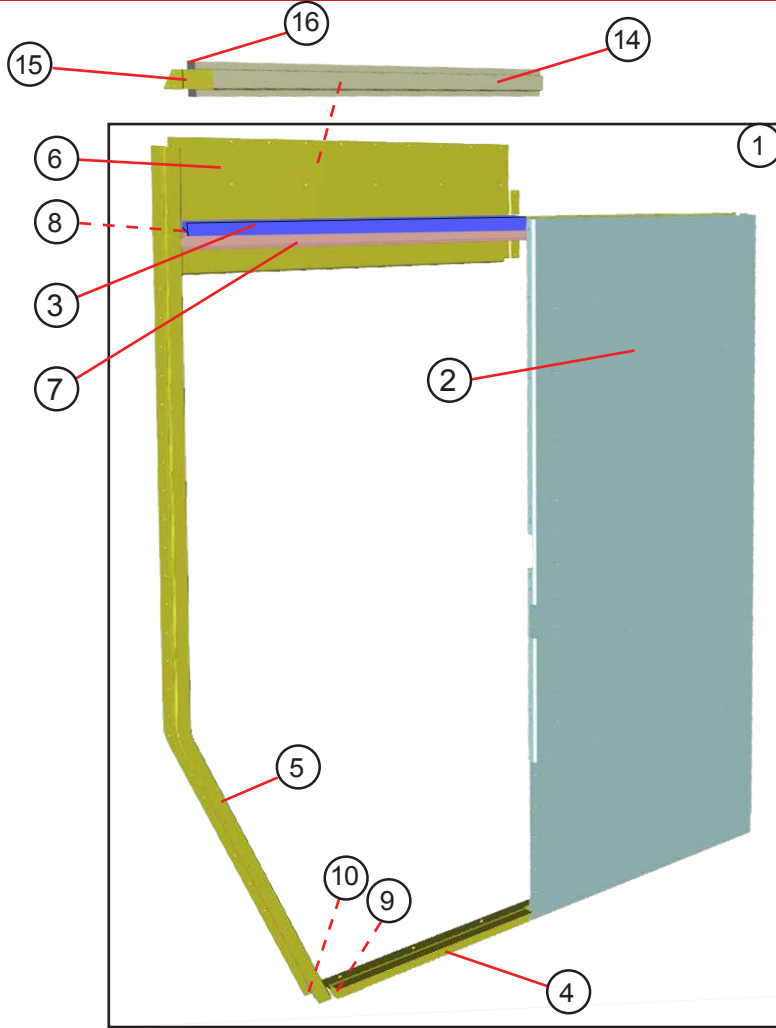
ITEM #	PART #	DESCRIPTION	QTY	UNIT
1	148070411	PANEL BULKHEAD AL.102X30.37X81.38 LH	1	EA
2	148070412	PANEL BULKHEAD AL.102X28.12X81.38 RH	1	EA
3	148070415	ZEE HEADER BULKHEAD AL.102X14.78X92.41	1	EA
4	107070405	CHANNEL BULKHEAD LH ALE450502X76.15	1	EA
5	088070433	SPACER DOOR BULKHEAD AL .125X4.6X10.02	1	EA
6	088070256	TRACK DOOR ASSEMBLY 30" CTR SLID	1	EA
7	06M202043	SHIM HANDLE DOOR AL .125X1X7	1	EA
8	1113016	LOCK MECH LK INR D/S KAS 4002-14	1	EA
9	107070407	JAMB BULKHEAD DOOR ALE450326X78.37	1	EA
10	088070482	SPACER BULKHEAD 1101200X2.25	2	EA
11	47000996	HANDLE BULKHEAD DOOR BLACK	1	EA
12	148070413	PLATE BULKHEAD AL.055X3.56X12.3 RH	1	EA
12	148070414	PLATE BULKHEAD AL.055X3.56X12.3 LH	1	EA
14	088070431	BRACKET STIKER STEEL 7GAX3.5X6.32 LH	1	EA
15	088070432	BRACKET STRIKER STEEL 7GAX3.5X11.77 RH	1	EA
16	96770316	GUIDE DOOR FLOOR AL 450414X47.88	1	EA
17	44002011	BUMPER RUBBER	3	EA
18	148070202	DOOR ASSEMBLY BULKHEAD N/WDO UPR HNDL POS	1	EA
19	148070203	HANGER ASSEMBLY W/SEAL BHD 3.34X30.13	1	EA
20	47006595	BEARINGS SR311-214 & RT311-278	4	PR
21	44008050	SEAL BRUSH TYPE B 1X83.9	1	EA
22	148070419	WEAR STRIP BULKHEAD DOOR BOTTOM AL452002X32.35	1	EA
23	148069402	STIFFENER JUMP SEAT AL450043X79	1	EA



ITEM #	PART #	DESCRIPTION	QTY	UNIT
1	96760203	HANGER ASSEMBLY	1	EA
2	47006595	BEARINGS	4	PR
3	44008050	SEAL BRUSH TYPE B 1X83.9	1	EA
4	083060202	DOOR ASSEMBLY CURBSIDE	1	EA
5	98760306	WEAR STRIP 450008X25.75	1	EA
6	45200206	SPACER ANTI RATTLE CLIP	2	EA
7	1113016	LATCH MECHINISM	1	EA
8	087181	SPACER LATCH	1	EA
9	47002766	GUIDE NYLON DOOR MLDD LOWER X51.44	1	EA
10	96760318	CLIP ANTI RATTLE AL.188X2X2.7	2	EA
11	44004104	SEAL RUBBER RS FWD DR X89.25	1	EA
12	96760307	PLATE DOOR HANGER	1	EA
13	083060201	DOOR ASSEMBLY ROADSIDE	1	EA
14	1107270	SEAL TR SCHLEG1426-X999	8	FT
15	45100093	STRIKER BRONZE D/S RR	2	EA
16	45100163	STRIKER BRONZE D/S RR	1	EA
17	44002011	BUMPER RUBBER	1	EA
18	47000689	HANDLE SIDE BLACK	1	EA
19	47001194	REMOVABLE CYLINDER	1	EA
20	45800062	WINDOW SLIDING CURBSIDE (FILLER STRIP 7.68 FT - 44004200)	1	EA
21	45800063	WINDOW SLIDING ROADSIDE (FILLER STRIP 7.68 FT - 44004200)	1	EA
22	083060409	PANEL DOOR INNER LOWER AL .07X39.4X40.02 RH (083060406 - LH)	1	EA
23	45100094	BRACKET STRIKER CAST D/S	1	EA
24	44004262	WEATHER STRIP FLUSH MOUNTING X93.25	1	EA
25	1111637	GLASS SAFETY RH DOOR .25 84456-10	1	EA



ITEM #	PART #	DESCRIPTION	QTY.	UNIT
1	148041000	D/P INSTALLATION 3" LH (ASSEMBLY - 148041200)	1	EA
2	109041400	PANEL D/P AL.102X42.26X87.65LH	1	EA
3	96741302	CHANNEL HEADER AL 450256X75 LH	1	EA
4	98741352	NOSE STEP AL 450247X61.29 LH	1	EA
5	148041402	DOOR POST AL 450294X102.43 LH	1	EA
6	148041400	PANEL HEADER AL.102X19.49X42.37 LH	1	EA
7	96741202	TRACK ASSEMBLY UPPER	1	EA
8	45100048	GUSSET HEADER CHANNEL TO DOOR POST	1	EA
9	45100104	DOOR POST CASTING LOWER LH	1	EA
10	001741407	REINFORCEMENT BRACKET PST AL.125X1.53X8.04 LH	1	EA
11	44004060	SEAL BRUSH TYPE C 1.5X82	1	EA
12	44008050	SEAL BRUSH TYPE B 1X83.9	1	EA
13	45900001	PLUG WD RB/RL .75X1.12X2.9	1	EA
14	083042400	STIFFENER HEADER AL450328X73.75 LH	1	EA
15	96742302	CLIP AL ZEE .102X3X9.57	1	EA
16	45100074	CAP RAIL END	1	EA
17	96741354	COVER DOOR POCKET AL.055X6.75X12.16 LH	1	EA
18	47008533	CAP PLASTIC END VENT	1	EA
NS	137410401	DRIP EDGE OVER WINDOW AL450006X41 LH	1	EA



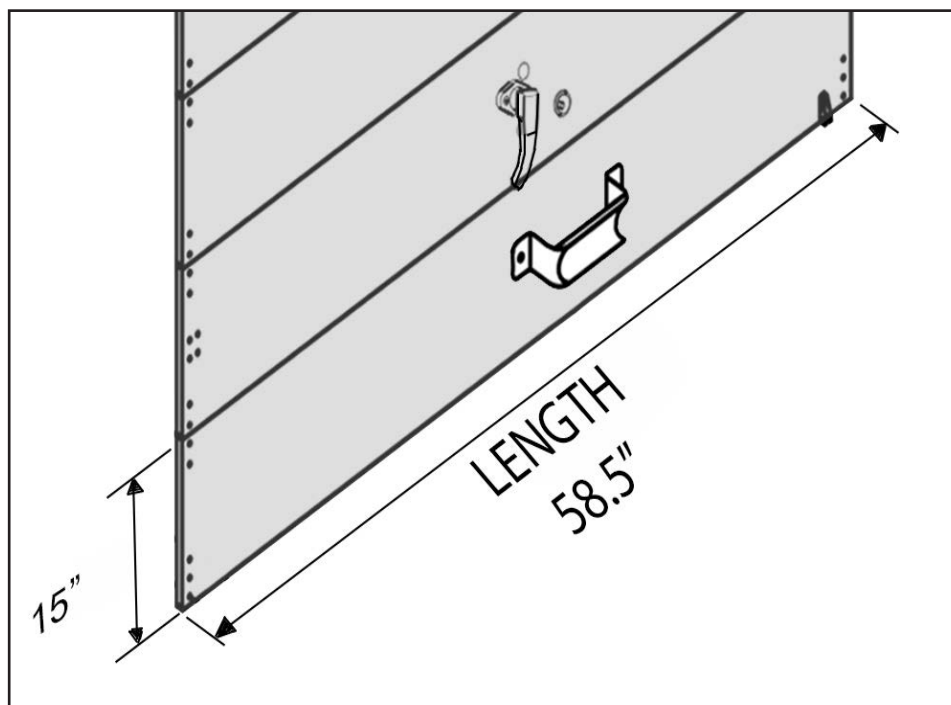
ITEM #	PART #	DESCRIPTION	QTY.	UNIT
1	148041001	DOOR POCKET INSTALLATION RH W/VT (ASSEMBLY - 148041201)	1	EA
2	109041401	PANEL DOOR POCKET AL.102X42.26X87.65RH	1	EA
3	96741303	CHANNEL HEADER AL 450256X75 RH	1	EA
4	98741353	NOSE STEP AL 450247X61.29 RH	1	EA
5	148041403	DOOR POST AL 450294X108.43RH	1	EA
6	148041401	PANEL HEADER AL.102X19.49X42.37 RH	1	EA
7	96741202	TRACK ASSEMBLY UPPER	1	EA
8	45100049	GUSSET HEADER CHANNEL TO DOOR POST	1	EA
9	45100105	DOOR POST CASTING LOWER	1	EA
10	001741408	REINFORCEMENT BRACKET AL.125X1.53X8.04 RH	1	EA
11	44004060	SEAL BRUSH TYPE C 1.5X82	1	EA
12	44008050	SEAL BRUSH TYPE B 1X83.9	1	EA
NS	45900001	PLUG WD RUBRAIL .75X1.12X2.9	1	EA
14	083042401	STIFFENER HEADER AL450328X73.75 RH	1	EA
15	96742302	CLIP AL Z .102X3X9.57	1	EA
16	45100074	CAP RAIL END	1	EA
17	96741355	COVER DOOR POCKET AL.055X6.75X12.16 RH	1	EA
18	47008533	CAP PLASTIC END VENT	1	EA
NS	45900001	PLUG WD RB/RL .75X1.12X2.9	1	EA
NS	137410400	DRIP EDGE OVER WINDOW AL450006X41RH	1	EA

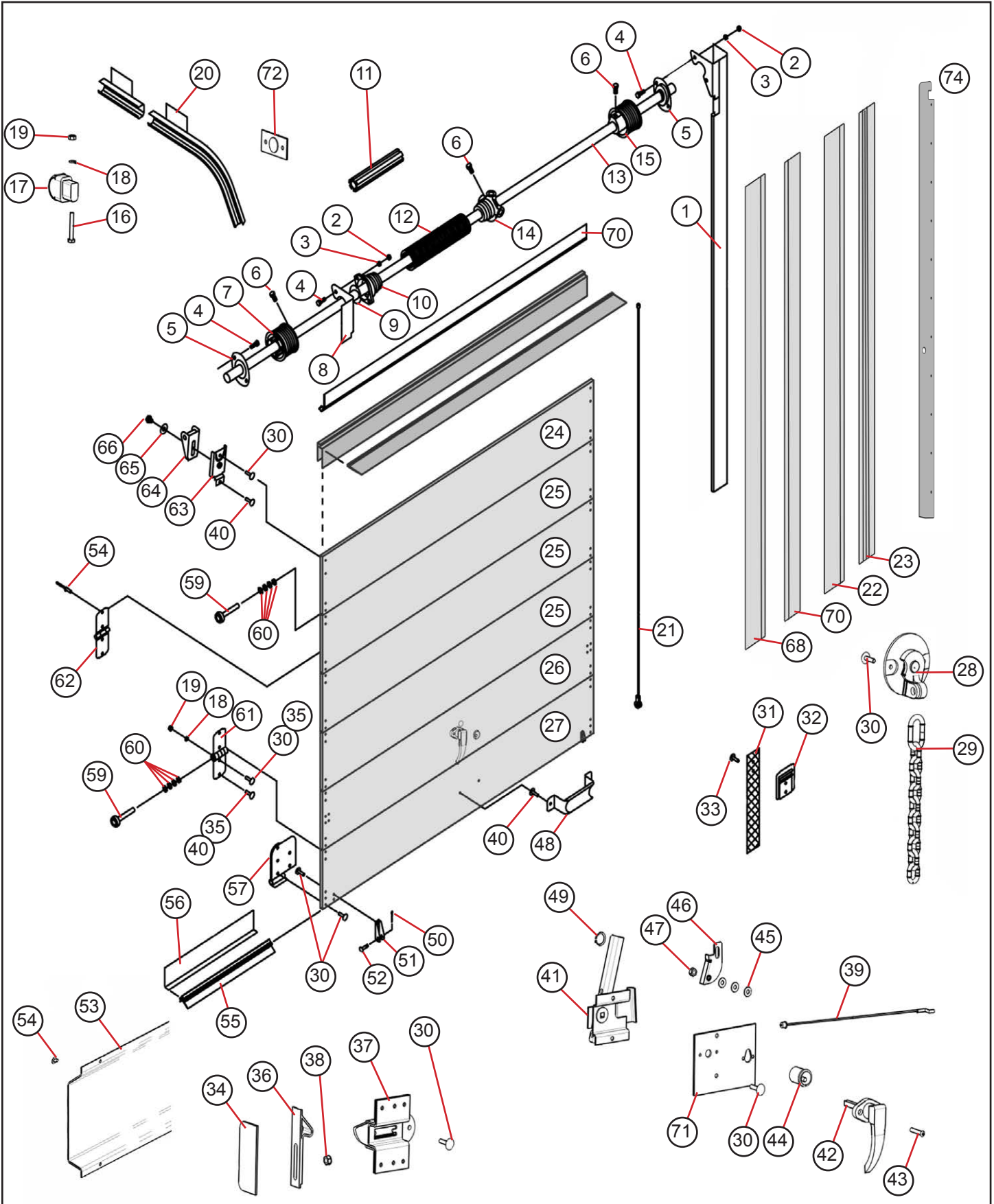
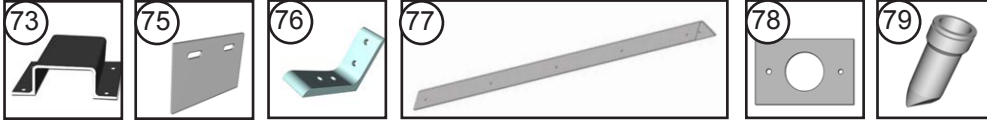


ROLL-UP DOOR SERIAL NUMBER LOCATION

WHEN ORDERING PARTS FOR ROLL-UP DOORS,  
PLEASE PROVIDE THE FOLLOWING INFORMATION.  
THE SERIAL NUMBER LOCATED ON THE INTERIOR TOP PANEL ROADSIDE EDGE.  
THE LENGTH AND HEIGHT OF THE DOOR PANEL(S) TO BE ORDERED.

IN THE EVENT OF A DAMAGED, UN-READABLE OR MISSING SERIAL NUMBER,  
PLEASE TRY TO PROVIDE THE COMPOSITION DETAILS OF THE DOOR PANEL.  
(PLASTIC COATED, ALUMINUM CLAD, PLYWOOD, ETC.)

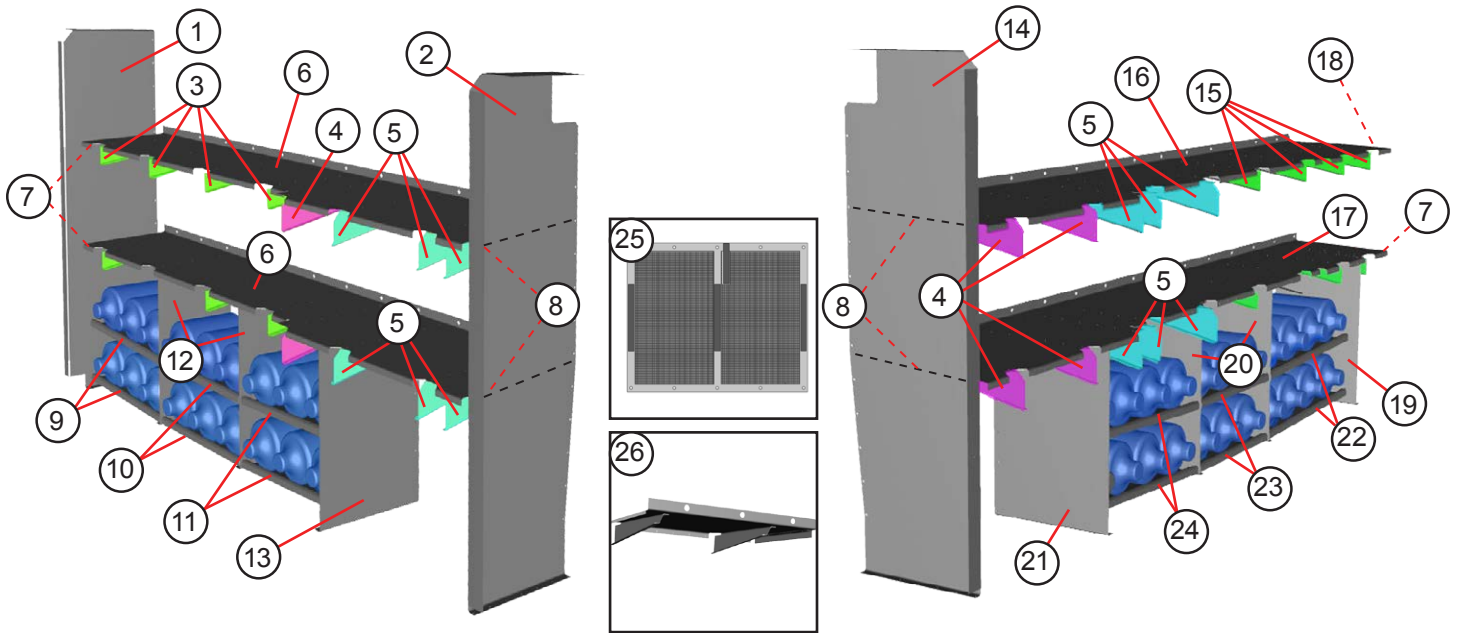




ITEM #	PART #	DESCRIPTION	QTY.	UNIT
	47005893	ROLL-UP DOOR WEATHERTITE 38.25 X 93.15	1	EA
N/S	005774400	MOUNTING ANGLE	2	EA
1	PER S/N	VERTICAL TRACK ASM.- R/H (CURBSIDE)	1	EA
N/S	PER S/N	VERTICAL TRACK ASM.- L/H (ROADSIDE)	1	EA
NS	117073400	TRACK KEYLESS MOD (47009726)	1	EA
2	N/A	HEX NUT - 5/16" NC	6	EA
3	N/A	LOCK WASHER - 5/16"	6	EA
4	N/A	HEX HEAD BOLT - 5/16" NC X 7/8"	6	EA
5	61380	BEARING ASSEMBLY	2	EA
6	47009906	HEX HEAD SET SCREW - 3/8" NC X 7/8"	6	EA
7	1116524	CABLE DRUM - L/H (ROADSIDE)	1	EA
8	61379	SPRING ANCHOR BRACKET	1	EA
9	1116586	BEARING - SPRING ANCHOR PLUG	1	EA
10	47003640	SPRING ANCHOR PLUG - 2 1/2" I.D. SPRING	1	EA
11	N/A	FILLER PLUG - 2 1/2" I.D. SPRING	1	EA
12	47003641	SPRING - 2 1/2" I.D. - #5 X 30" LONG	1	EA
13	47003642	COUNTERBALANCE SHAFT - 58 3/4" LONG	1	EA
14	47003643	SPRING WINDING PLUG - 2 1/2" I.D. SPRING	1	EA
15	1116523	CABLE DRUM - R/H (CURBSIDE)	1	EA
16	N/A	HEX HEAD BOLT - 1/4" NC X 1 3/4"	2	EA
17	47003644	HEAD PROTECTOR	2	EA
18	N/A	LOCK WASHER - 1/4" I.D.	14	EA
19	N/A	HEX NUT - 1/4" NC	14	EA
20	PER S/N	HORIZONTAL TRACK - R/H (CURBSIDE)	1	EA
N/S	PER S/N	HORIZONTAL TRACK - L/H (ROADSIDE)	1	EA
21	61384	CABLE ASSEMBLY - 110" LONG	1	PR
22	47106602	BRUSH SIDE SEAL - 1" X 85.75" LONG	2	EA
23	47003648	BRUSH RETAINER - SIDE SEAL - 87" LONG	2	EA
24	PER S/N	WEATHERTITE TOP PANEL - 10 1/8"	1	EA
25	PER S/N	WEATHERTITE INTERM PANEL - 15"	3	EA
26	PER S/N	WEATHERTITE INTERM LOCK PANEL ASM. -15"	1	EA
27	PER S/N	WEATHERTITE BOTTOM PANEL - 15"	1	EA
28	47003653	SAFETY CHAIN LOCK ASSEMBLY	1	EA
29	76431026	STAINLESS STEEL SAFETY CHAIN W/XM - 3343 SLEEVE	1	EA
30	N/A	RIVET - STAINLESS STEEL - 1 1/8"	28	EA
31	47003674	PULL STRAP - 62" LONG (BLACK)	1	EA
32	47000827	PULL STRAP RETAINER	1	EA
33	N/A	SPLINED CARRIAGE BOLT - 1/4" NC X 1 1/2"	2	EA
34	47003675	CATCH MOUNTING PLATE - R/H (CURBSIDE)	1	EA
N/S	47003676	CATCH MOUNTING PLATE - L/H (ROADSIDE)	1	EA
35	N/A	STEP BOLT - 1/4" NC X 1 1/4" STAINLESS STEEL	8	EA
36	47003677	LOCK CATCH	2	EA
37	47000080	END LATCH - R/H (CURBSIDE)	1	EA
N/S	47000081	END LATCH - R/H (ROADSIDE)	1	EA
38	N/A	FLANGE LOCK NUT - 5/16" NC	4	EA

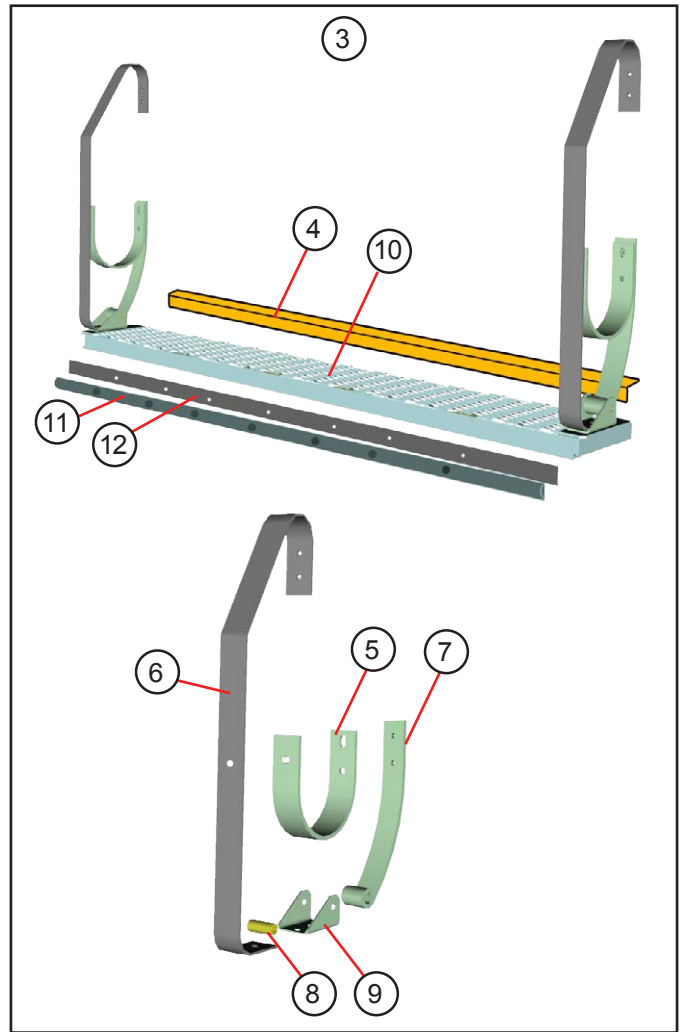
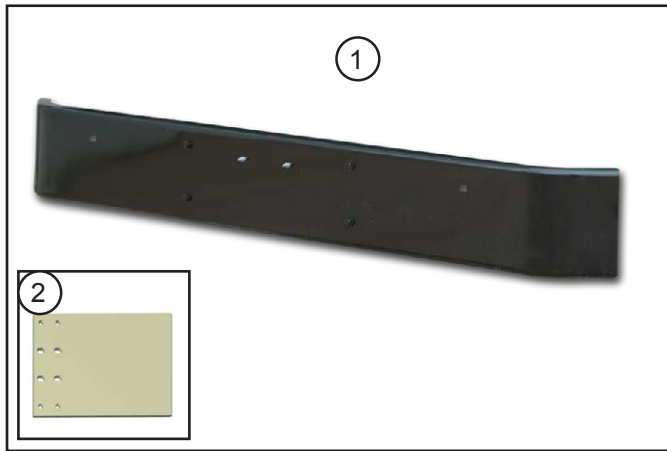
ITEM #	PART #	DESCRIPTION	QTY.	UNIT
39	47003678	LOCK CABLE ASSEMBLY - 24 - 9/16" LONG	2	EA
40	N/A	RIVET - STAINLESS STEEL - 1" LONG	46	EA
41	47003679	CENTER CONTROL ASSEMBLY	1	EA
42	1116535	PLAIN "L" HANDLE	1	EA
43	N/A	OVAL HEAD MACHINE SCREW - #10 - 32 X 1 1/4"	2	EA
44	47003680	BEST CYLINDER KIT - (NO CORE OR KEYS)	1	EA
45	N/A	FLAT WASHER - 1/4" I.D.	3	EA
46	47000082	TOP CAM CATCH	1	EA
47	N/A	LOCK NUT - 1/4" NC	1	EA
48	1116536	LIFT HANDLE	1	EA
49	47003681	RETAINING RING	1	EA
50	N/A	COTTER PIN - 3/32" DIA.	2	EA
51	47009923	CABLE ANCHOR BRACKET	2	EA
52	1116538	CABLE ANCHOR PIN	2	EA
53	47003682	LOCK COVER - ALUMINUM - 58 1/4" LONG	1	EA
54	N/A	1/4" POP RIVET	30	EA
55	47003683	BOTTOM SEAL - HEAVY DUTY - 58 3/4" LONG	1	EA
56	47003684	BOTTOM ANGLE - 53 3/4" LONG	1	EA
57	47003685	HEAVY DUTY BOTTOM FIXTURE - R/H (CURBSIDE)	1	EA
N/S	47003694	HEAVY DUTY BOTTOM FIXTURE - L/H (ROADSIDE)	1	EA
58	N/A	RIVET - STAINLESS STEEL - 1 1/4" LONG	4	EA
59	61360	ROLLER - SEALED	14	EA
60	47009917	SPACER WASHER - ROLLER	16	EA
61	61419	END HINGE	10	EA
62	61397	CENTER HINGE	10	EA
63	1116531	BASE - ADJUSTABLE TOP FIXTURE	2	EA
64	1116530	SLIDE - ADJUSTABLE TOP FIXTURE	2	EA
65	N/A	FLAT WASHER - 3/8" I.D.	2	EA
66	47009912	E-LOK BOLT - 3/8" NC	2	EA
67	PER S/N	HEAD SEAL RETAINER - 58 3/4" LONG	1	EA
68	PER S/N	BRUSH SIDE SEAL - 1" BRUSH	2	EA
N/S	PER S/N	BRUSH HEAD SEAL - 1-1/2" BRUSH	1	EA
69	N/A	DRIVE RIVET - 3/16" X 15/32" LONG	4	EA
70	47003690	HEAD SEAL RETAINER - 54" LONG	1	EA
N/S	47003691	SIDE RETAINER 86" -LONG	1	EA
71	47003692	BACK PLATE-TWO-POINT LOCK W/BEST CYLINDER	1	EA
72	47003693	TRACK CLOSE-OUT	2	EA
73	98775400	BRACKET SPACER AL .125X4X8.73	1	EA
74	148130400	SUPPORT TRACK AL.125X5.5X96.05	2	EA
75	83024136	PLATE MOUNTING TRACK STEEL 11GAX2.5X4	6	EA
76	92750304	ANGLE CLIP RUD AL 450196X1.5	2	EA
NS	098130400	SHIM RUD AL.25X3X41	1	EA
77	099001455	KICK PLATE DROP FLOOR ALD.08X3.85X28	1	EA
78	97435300	PLATE MOUNTING DRAIN AL .102X2.5X3.75	2	EA
79	47006607	VALVE DRAIN NAV #1675955C1	2	EA



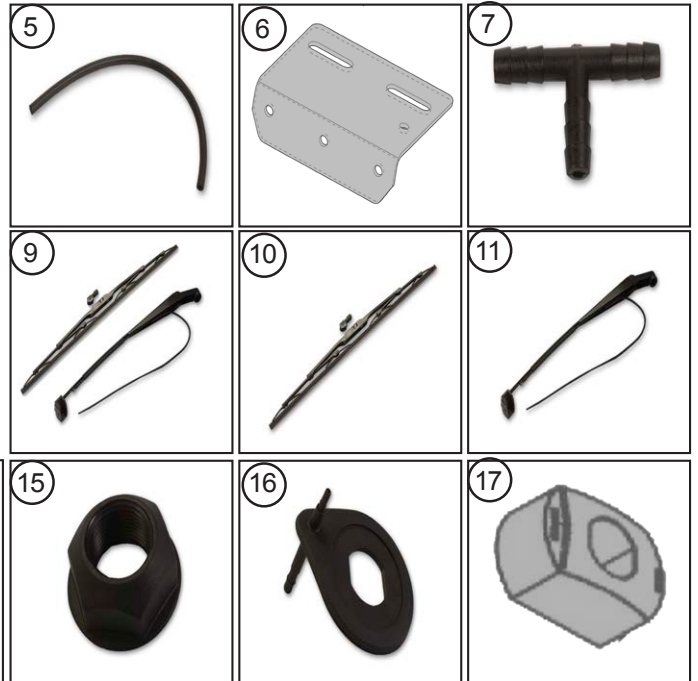
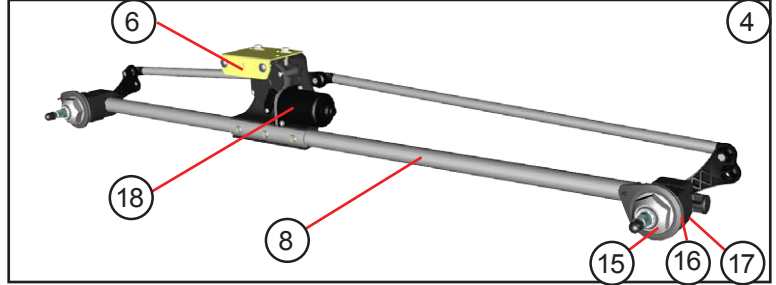
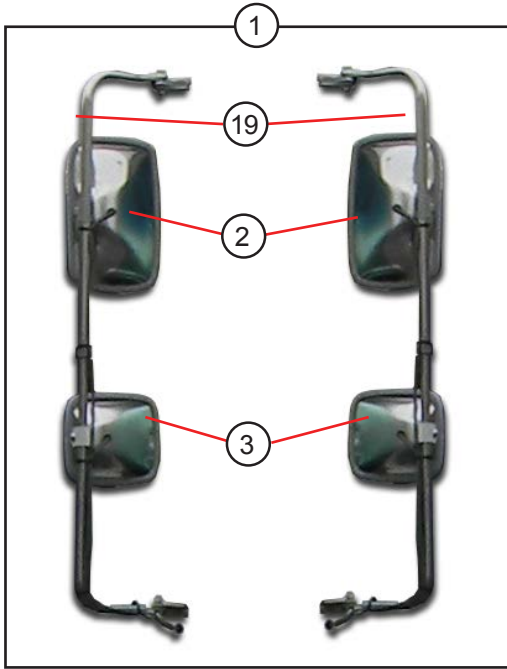


ITEM #	PART #	DESCRIPTION	QTY.	UNIT
1	148105406	SUPPORT SHELF AL.188X28.88X96.04 LH	1	EA
2	148105400	PANEL END AL.102X31.38X99.69 LH	1	EA
3	125105416	ARM SHELF AL.125X7.36X21.16 LH	7	EA
4	138105413	SHELF ARM AL.125X8.56X27.35 RH	7	EA
5	138105412	SHELF ARM AL.125X8.56X27.35 LH	8	EA
6	148105413	PANEL SHELF AL.102X31.44X144.81 LH	2	EA
7	002395431	ANGLE AL 450180X20.5 LH	2	EA
8	072105416	ANGLE AL 450180X24	2	EA
9	148105411	PANEL SHELF AL.188X24.35X37.71 LH FWD	2	EA
10	148105410	PANEL SHELF AL.188X24.35X36.42 LH CTR	2	EA
11	148105408	PANEL SHELF AL.188X24.35X38.4 LH AFT	2	EA
12	148105404	SUPPORT SHELF AL.188X20.56X41.12 LH	2	EA
13	148105402	SUPPORT SHELF AL.188X26.06X41.12 LH	1	EA
14	148105401	PANEL END AL.102X31.38X99.69 RH	1	EA
15	125105417	ARM SHELF AL.125X7.36X21.16 RH	11	EA
16	148105415	PANEL SHELF AL.102X31.44X183.25 RH (UPPER)	1	EA
17	148105414	PANEL SHELF AL.102X31.44X183.25 RH (LOWER)	1	EA
18	000524523	ANGLE SUPPORT AL 450180X12 RH	1	EA
19	148105407	SUPPORT SHELF AL.188X23.06X41.12 RH	1	EA
20	148105405	SUPPORT SHELF AL.188X20.56X41.12 RH	2	EA
21	148105403	SUPPORT SHELF AL.188X26.06X41.12 RH	1	EA
22	148105412	PANEL SHELF AL.188X24.35X48.04 RH	2	EA
23	148105410	PANEL SHELF AL.188X24.35X36.42 CTR	2	EA
24	148105409	PANEL SHELF AL.188X24.35X49.79 RH	2	EA
25	45400503	NET CARGO (HANGER CARGO NET - 096127434 x4)	4	EA
26	148105000	SHELF INSTALLATION ABOVE CABINATE (RYDER UNIT 518670 ONLY)	1	EA

Shown With Water Bottles For Illustration Purpose Only - Water Bottles Not Included

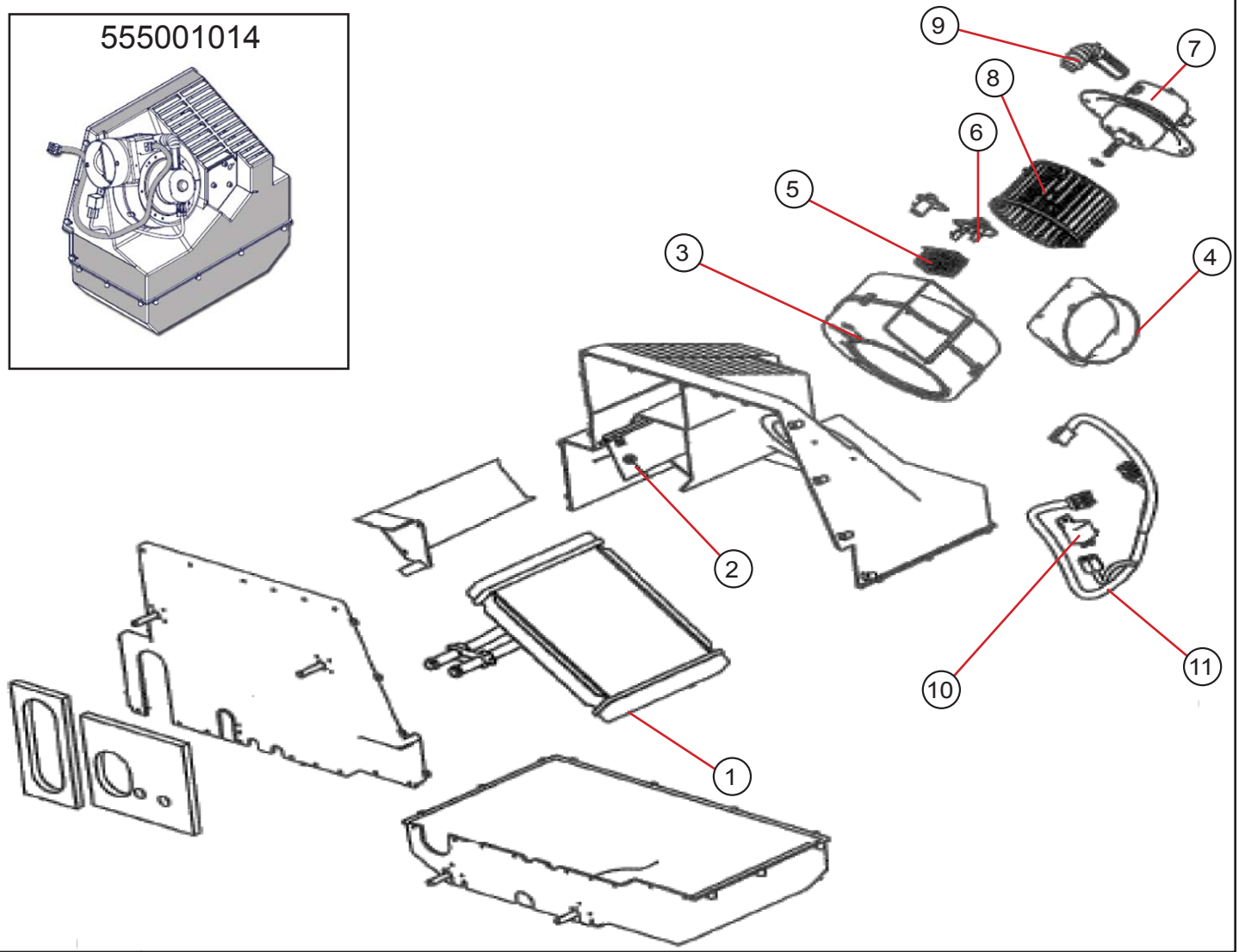
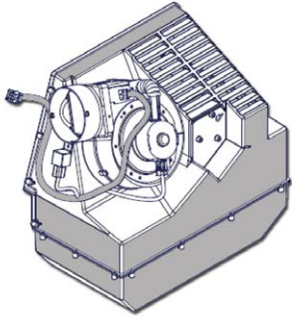


ITEM #	PART #	DESCRIPTION	QTY.	UNIT
1		BUMPER FRONT - SUPPLIED BY CHASSIS MFG.	1	EA
2	95806331	PLATE HANGER BUMPER STEEL .312X11X16.07	2	EA
3	118057002	BUMPER REAR 93W STEEL SGL SPRING	1	EA
4	89857310	ANGLE SILL REAR 86W AL 450191X82	1	EA
5	1101503	SPRING W/BRKT BUMPER MID	2	EA
6	47003995	SPRING BUMPER OUTER	2	EA
7	1101517	SPRING BUMPER INNER 72457014	2	EA
8	1107219	BUSH .5X1X2.38	2	EA
9	72457013	BRACKET BUMPER REAR STEEL7GAX4.88X7.9	2	EA
10	47022600	WELDMENT REAR BUMPER 12" 93W 3LB	1	EA
11	44002020	PROTECTIVE BUMPER RUBBER DX90	1	EA
12	117057400	PLATE BACK BUMPER STEEL14GAX.88X90	1	EA

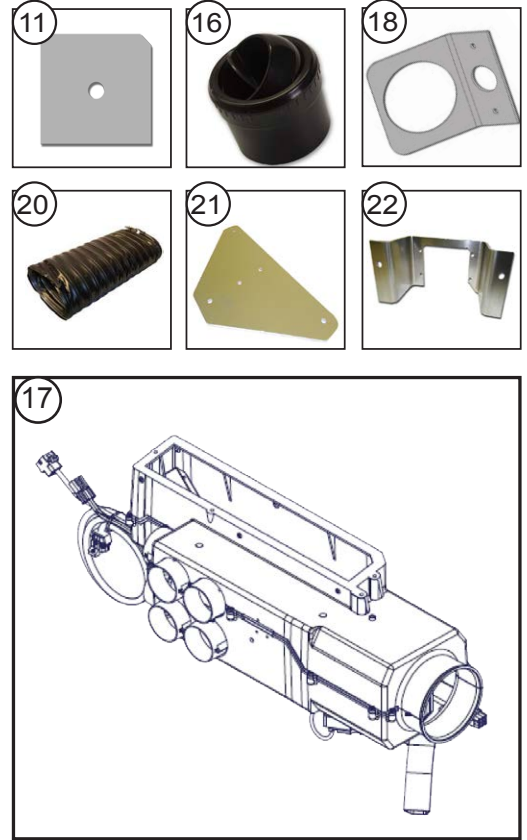
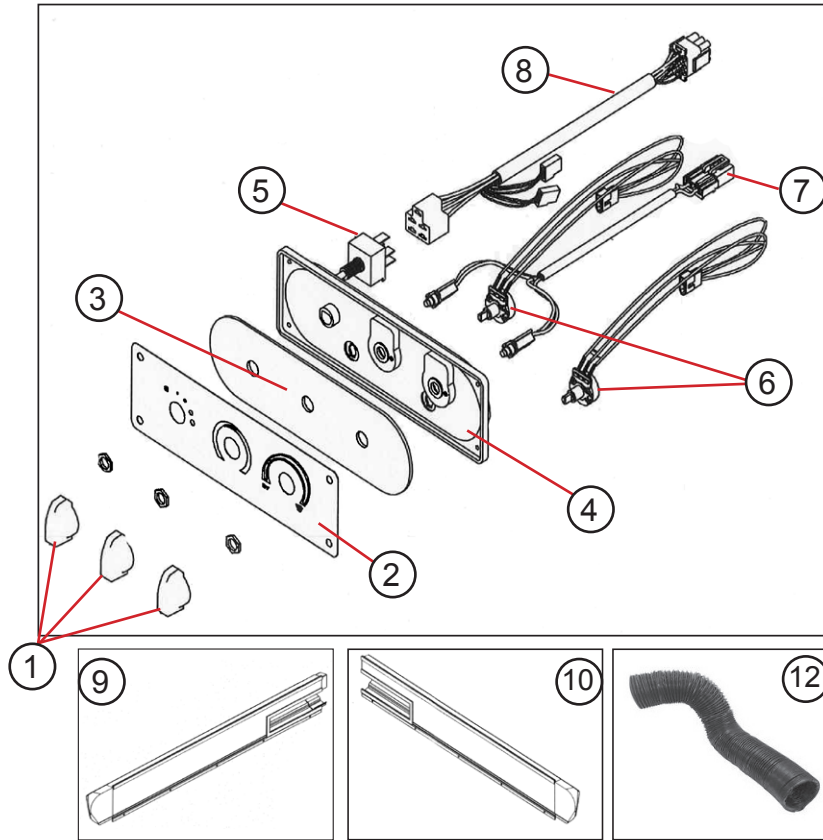


ITEM #	PART #	DESCRIPTION	QTY.	UNIT
1	007251004	MIRROR INSTALLATION	1	PR
2	47005584	MIRROR STAINLESS HEAD 6.5X10 (HEATED)	2	EA
3	47005585	MIRROR STAINLESS HEAD 6.5X6 (HEATED)	2	EA
4	117363001	WINDSHIELD WIPER INSTALLATION (INCLUDES ITEMS 5-8, 15-17)	1	EA
5	1107122	HOSE .188 ID WSW	12	FT
6	083055454	BRACKET WIPER MOTOR	1	EA
7	1101694	TEE WSWA U/T	1	EA
8	47004188	WIPER SYSTEM TBLR 2 PIVOT	1	EA
9	007363004	WIPER ARM WITH BLADE	1	EA
10	47004134	BLADE 24IN BLACK	1	EA
11	47004186	ARM WSW WET 22IN RADIAL BLACK	1	EA
12	47004137	RSVR W/PUMP WSWA	1	EA
13	003705413	BRACKET MOUNTING RSVR	1	EA
14	46021115	CLIP BODY LARGE PAN	1	EA
15	47005901	NUT	2	EA
16	47005902	PIVOT COVER	2	EA
17	47005903	SPACER	2	EA
18	47005900	MOTOR WINDSHIELD WIPER	1	EA
19	47005583	LOOP MIRROR STAINLESS	2	EA

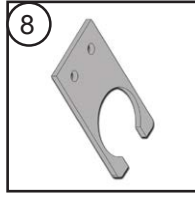
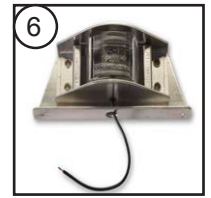
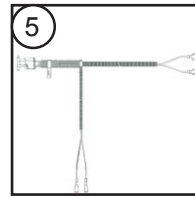
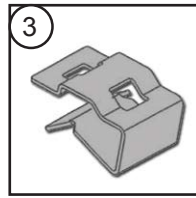
555001014



ITEM #	PART #	DESCRIPTION	QTY	UNIT
	555001014	HEATER CORE VCS# 70-07907	1	EA
1	47008760	HEATER COIL W/GASKET & CLAMP	1	EA
2	47008753	DOOR W/SEAL	1	EA
3	47008754	BLOWER HOUSING	1	EA
4	47008755	BLOWER ADAPTER	1	EA
5	47008732	RESISTER CAGE	1	EA
6	47008460	RESISTER	1	EA
7	47008756	BLOWER MOTOR	1	EA
8	47008757	BLOWER WHEEL	1	EA
9	47008730	VENT TUBE	1	EA
10	47008716	RELAY	1	EA
11	47008758	HARNESS	1	EA
NS	47008580	FORMED HEATER HOSE VCS#30-00611	2	EA
NS	555002053	VALVE WAT SCS #70-07754	1	EA
NS	090080004	DUCT FT DUMP SPCL	1	EA
NS	090080401	DUCT FT DUMP SPCL	1	EA

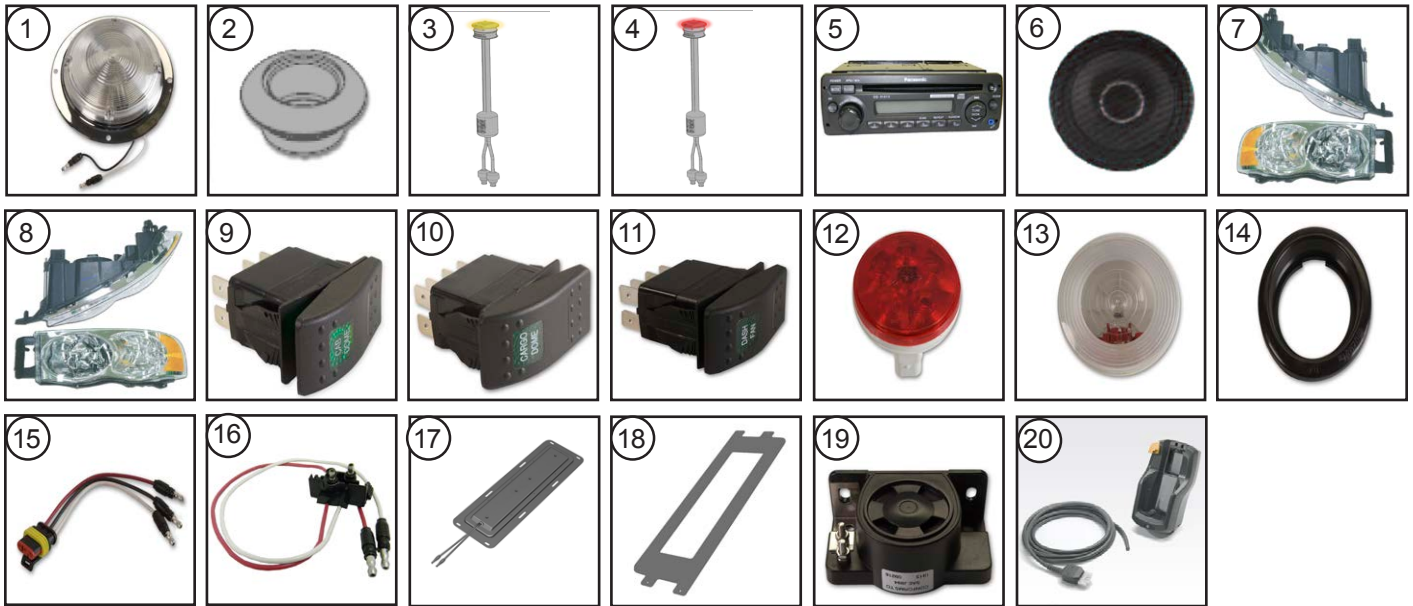


ITEM #	PART #	DESCRIPTION	QTY	UNIT
1	47008706	KNOB	3	EA
2	47008707	DECAL	1	EA
3	47008708	LIGHT PANEL	1	EA
4	47008709	CONTROL PANEL	1	EA
5	47008700	BLOWER SWITCH	1	EA
6	47008710	POTENTIOMETER SWITCH	2	EA
7	47008711	HARNESS W/BULBS	1	EA
8	47008712	HARNESS	1	EA
9	555001719	DEFROST DUCT CURBSIDE	1	EA
10	555001720	DEFROST DUCT ROADSIDE	1	EA
11	093080400	HOLD DOWN PLATE DEFROSTER DUCTS	4	EA
12	555001523	HOSE DEFROSTER 2.5X16	2	EA
12	555001524	HOSE DEFROSTER 2.5X30	2	EA
12	555001525	HOSE DEFROSTER 2.5x38	1	EA
NS	555002003	CLR FRESH SCS #01-06294	1	EA
16	555001715	LUVER BALL	6	EA
17	555001323	DUCT HVAC	1	EA
18	107027405	BRACKET HEATER VENT	1	EA
20	47008232	HOSE HEATER/DEFROSTER 5"X14"	1	EA
21	005780402	MOUNTING PLATE	1	EA
22	002080400	BRACKET HEATER CONTROL AL .102X3X11.67	1	EA
NS	555001533	HOSE BLOWER	1	EA
NS	47008594	CLAMP HEATER HOSE 24MM	6	EA
NS	555002006	PLENUM FA HVAC SIDE WALL	1	EA
NS	555002005	PLENUM FA HVAC TOEBOARD	1	EA
NS	555001532	HOSE FA HVAC 4" DIA	1	EA

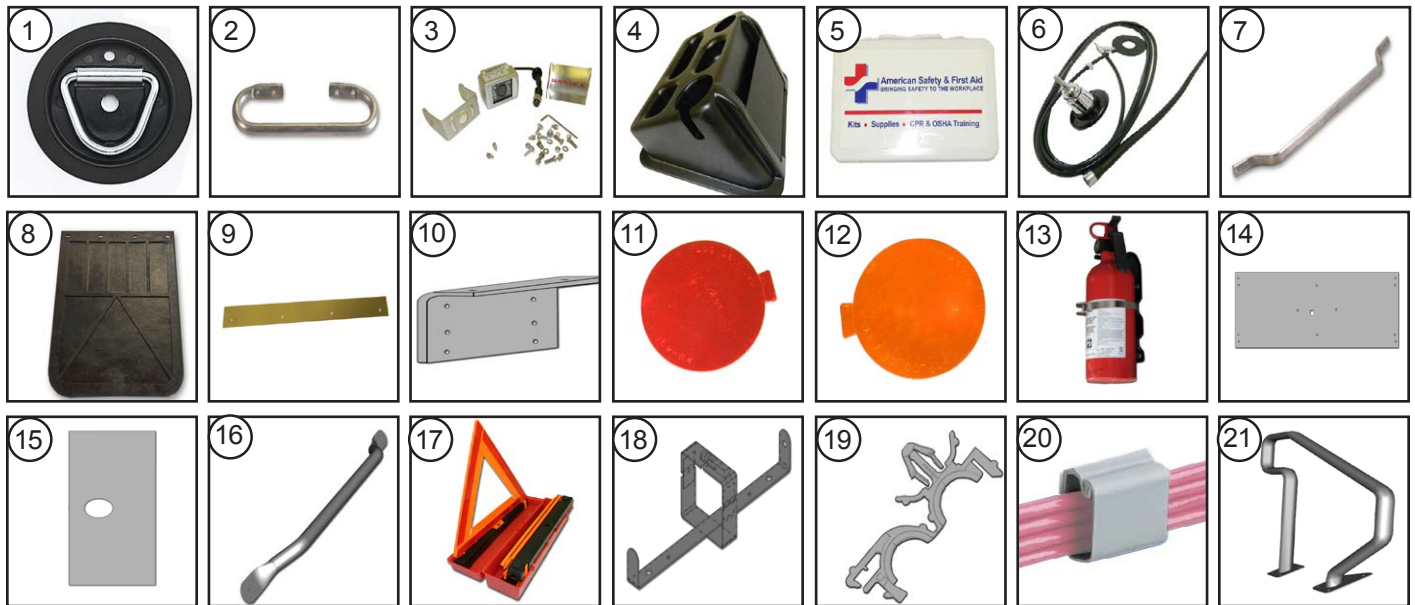


ITEM #	PART #	DESCRIPTION	QTY.	UNIT
1	46030011	FAN 2SPEED NO SWITCH 270CFM	1	EA
2	46023605	SWITCH ROCKER DASH FAN SPDT ON-OFF-ON	1	EA
3	46021115	CLIP LARGE BODY (SAME AS 005392206)	1	EA
3	46021114	CLIP MEDIUM BODY (SAME APPEARANCE AS ITEM 3)	1	EA
4	48200025	HARNESS - REAR CAMERA TO MONITOR 40FT	1	EA
5	46025591	HARNESS - SPEAKER WIRING	1	EA
NS	006385205	HARNESS - HOOD FBG M2 FCC 93W	1	EA
NS	147391200	HARNESS - ROOF NOSE	1	EA
NS	098084202	HARNESS - FUSE CENTER	1	EA
NS	098084203	HARNESS - INSTRUMENT PANEL	1	EA
NS	093093203	HARNESS - ROOF 21/24FT6IN M100	1	EA
NS	100081201	HARNESS - REAR LIGHTS S/T/T/ W/LOOM LED	1	EA
NS	100081202	HARNESS - ASSEMBLY ALARM B/U W/LOOM INCAN	1	EA
NS	093093205	HARNESS - TRANSOM CHMSL READY	1	EA
NS	148084200	HARNESS - COM CENTER FCC 2011	1	EA
NS	007381203	HARNESS - MID BODY MARKER	1	EA
NS	142086200	HARNESS - REAR WRG LH BACK PANEL D/FLR	1	EA
NS	142086201	HARNESS - REAR WRG RH BACK PANEL D/FLR	1	EA
NS	46010845	HARNESS - BACKUP ALARM	1	EA
NS	090093202	HARNESS JUMPER CARGO DOME LAMP	1	EA
NS	110094201	HARNESS - MONITOR MOD SVLCD MON	1	EA
NS	48200114	MONITOR BACK UP 5.6" CLR LCD DEKIT	1	EA
NS	46003017	LAMP INT WIPER	1	EA
NS	008300401	LABEL FUSE BLOCK FCC 2012 CURBSIDE	1	EA
NS	008300402	LABEL FUSE BLOCK FCC 2012 ROADSIDE	1	EA
NS	46023310	SWITCH WIPER INT SGL MTR D/PK W/WASH	1	EA
6	1111001	LAMP LICENSE PLATE SS 9369W	1	EA
7	46024513	ALARM BACK-UP	1	EA
8	090087401	PLATE FILLER WIRING	2	EA
NS	007388300	HARNESS JUMPER Y 1WR P&P X6 BACK UP ALARM	2	EA

**SEE PAGE 34 FOR WIRING HARNESS DIAGRAMS**

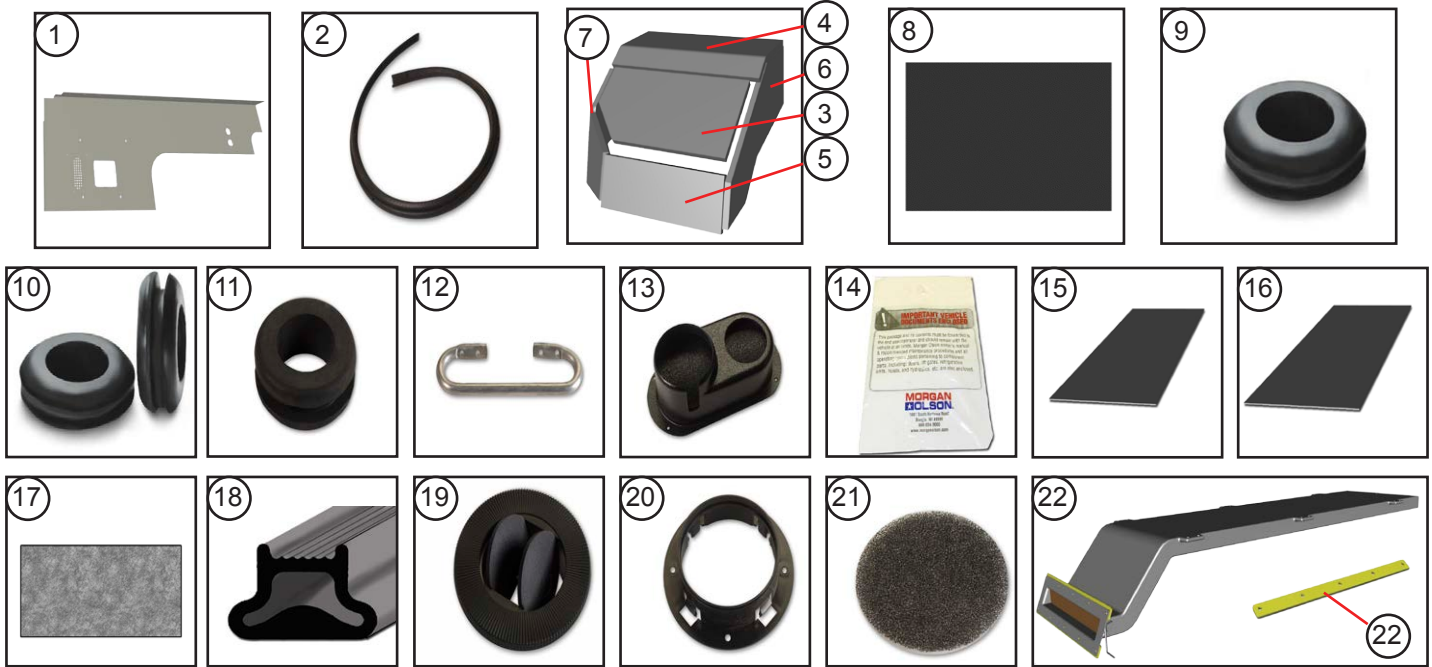


ITEM #	PART #	DESCRIPTION	QTY.	UNIT
1	46002634	LAMP DOME CLEAR CHROME (CAB) (BRACKET-100092400)	1	EA
2	46001342	GROMMET FOR CLEARANCE MARKERS	1	EA
3	46001339	LAMP CLEARANCE MARKER LED PC - AMBER X7	1	EA
3	46001344	LAMP CLEARANCE MARKER LED PC - AMBER X1	1	EA
3	46001362	LAMP CLEARANCE MARKER LED PC - AMBER X1	1	EA
4	46001340	LAMP CLEARANCE MARKER LED NO PC - RED X7	1	EA
5	46025594	RADIO AM/FM/WB/RBDS JEN	1	EA
6	46025590	SPEAKER 6.5 IN.	1	PR
7	46000307	HEADLAMP CURBSIDE	1	EA
8	46000308	HEADLAMP ROADSIDE	1	EA
9	46023508	SWITCH ROCKER CAB DOME SPST ON-OFF	1	EA
10	46023603	SWITCH ROCKER FRONT CARGO DOME SPDT ON-ON	1	EA
11	46023605	SWITCH ROCKER DASH FAN SPDT ON-OFF-ON	1	EA
12	46002222	LAMP REAR COMB LED	1	EA
13	46001406	LAMP B/U SEALED	1	EA
14	46004402	GROMMET 4" ROUND BLACK	1	EA
15	46012046	PIGTAIL STOP/TURN/TAIL LED	1	EA
16	46012048	PIGTAIL BACKUP LED IN	1	EA
17	46002638	LAMP DOME RECESSED LED	1	EA
18	100092401	BRACKET DOME LAMP	1	EA
19	46024513	ALARM BACK UP	1	EA
20	CFVCD5500	CHARGING DOCK MOTOROLA VCD5500	1	EA
NS	128023001	TRANSPONDER FSTNR I 7" CTRS	1	EA



ITEM #	PART #	DESCRIPTION	QTY.	UNIT
1	47006020	TIEDOWN RING (SUPPORT ANGLE AL450194X54 - 096127422)	26	EA
2	90187300	GRAB HANDLE .5DIA X15.7	3	EA
3	48200043	CAMERA KIT CLR	1	EA
NS	48200114	MONITOR B/U 5.6" CLR LCD DEKIT	1	EA
4	47009626	CENTER CONSOLE CUP HOLDER	1	EA
5	007301001	FIRST AID KIT - DSL/GAS W/O LOGO US RSK	1	EA
6	46025559	ANTENNA TP/SI MITO #10-CAM1CRM0	1	EA
7	98150310	GRAB HANDLE AL 450243X26.38 QTY 2	1	EA
8	1107309	MUD FLAPS 24X36 BLACK NO LOGO 1 PAIR	1	EA
9	7504428	RETAINER MUD FLAPS	1	EA
10	80795014	ANGLE RETAINER MUD FLAPS	1	EA
11	46025017	REFLECTOR RED SPITFIRE 2.88 DIA. X4	1	EA
12	46025018	REFLECTOR AMBER SPITFIRE 2.88 DIA. X2	1	EA
13	47009621	FIRE EXTINGUISHER W/BRACKET & MET STRAP	1	EA
14	100092400	BRACKET DOME LAMP MOUNTING (3 LOAD / 1 CAB)	1	EA
NS	95801001	TIE DOWN KIT	1	EA
15	78331095	PLATE TIE DOWN	1	EA
16	47001063	GRAB 1" AL 31.875L 2.75DP ANZ	1	EA
17	47009547	REFLECTOR KIT - TRIANGLES	1	EA
18	47009548	BRACKET REFLECTOR FLARE KIT	1	EA
19	46021301	CLAMP LOOM PUSH IN QTY-13	1	EA
20	47006615	CLIP WIRE GUIDES .75X.75 (1x1.5 - 47006617)	1	EA
21	47001056	RAIL GRAB RH TOEBOARD (SUPPORT ANGLE 001731405)	1	EA
NS	46024513	ALARM BACK UP	1	EA





ITEM #	PART #	DESCRIPTION	QTY.	UNIT
1	093116410	INSULATION DASH WALL	1	EA
2	1107270	SEAL ENGINE BOX LID	8	FT
3	098028401	ENGINE BOX INSULATION 42002056X13.55X28.25	1	EA
4	098005404	ENGINE BOX INSULATION 42002056X14.28X31.29	1	PR
5	098005405	ENGINE BOX INSULATION 42002056X15.09X33.05	1	EA
6	098005406	ENGINE BOX INSULATION 42002056X21.25X30.59	1	EA
7	098005407	ENGINE BOX INSULATION 42002056X19.58X30.72	1	EA
8	42002055	SOUND ABSORBING FLOOR MAT 60X95	0	EA
9	1107109	GROMMET AN#931-A6-10	1	EA
10	44000052	GROMMET A/I#2866	5	EA
11	46004416	GROMMET 1ID .25 MATERIAL THICKNESS	1	EA
12	90187300	GRAB HANDLE .5DIAX15.7	3	EA
13	42007001	CUP HOLDER	0	EA
14	43004362	BAG PLASTIC DOCUMENT WALK-IN	1	EA
15	098137401	PLATE STEP FBG .125X7.75X22	1	EA
16	45400509	PLATE STEP FBG .125X10.38X22	1	EA
17	098137406	PLATE STEP FBG .125X10X16	3	EA
18	44004104	SEAL RUBBER FORWARD DOOR X89.25	2	EA
19	47008547	LUVER ROUND 3.12	2	EA
20	47008546	PANEL MOUNTING LUVER 3.12	2	EA
21	48000504	FILTER FM .25THKX4DIA	2	EA
22	47008802	DUCT VENT CAB / CARGO	1	EA
23	94010316	REINFORCEMENT VENT	2	EA
NS	007300098	FIC SIDE CART LOADING	1	EA
NS	47106593	SEAL SIDE RUBBER WTG#5377X93	2	EA

PAGE#	PART #	DESCRIPTION	QTY.	UNIT
34	48200025	HARNESS - REAR CAMERA TO MONITOR 40FT	1	EA
35	006385205	HARNESS - HOOD FBG M2 FCC 93W	1	EA
36	007381203	HARNESS - MID BODY MARKER	1	EA
37	007388300	HARNESS - JUMPER Y 1WR P&P X6 BACK UP ALARM	2	EA
38-39	147391200	HARNESS - ROOF NOSE	1	EA
40	46010845	HARNESS - BACKUP ALARM	1	EA
41	46025591	HARNESS - SPEAKER WIRING	1	EA
42	090093202	HARNESS - JUMPER CRG DOME LAMP	1	EA
43	142086200	HARNESS - REAR WRG LH BACK PANEL D/FLR	1	EA
44	142086201	HARNESS - REAR WRG RH BACK PANEL D/FLR	1	EA
45-46	093093203	HARNESS - ROOF 21/24FT6IN M100	1	EA
47	093093205	HARNESS - TRANSOM CHMSL READY	1	EA
48-51	098084203	HARNESS - INSTRUMENT PANEL	1	EA
52	100081201	HARNESS - A S/T/T/ W/LOOM LED	1	EA
53	100081202	HARNESS - ALARM B/U W/LOOM INCAN	1	EA
54	110094201	HARNESS - MONITOR MOD SVLCD MON	1	EA
55-56	148084200	HARNESS - COM CENTER FCC 2011	1	EA
57	098084202	HARNESS - FUSE CENTER	1	EA



# 006385205 HARNESS HOOD

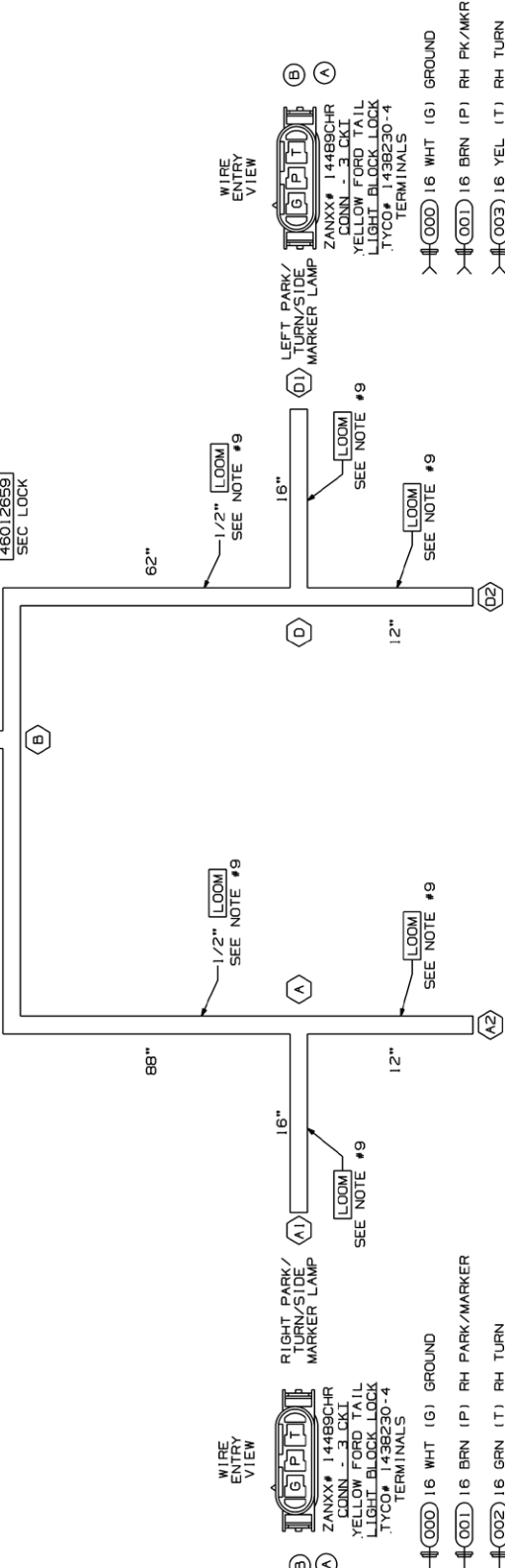
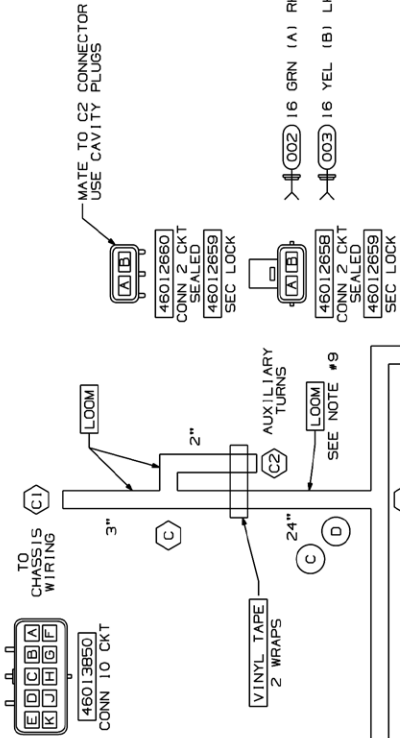
# 006385205 HARNESS HOOD

CIRCUIT	DESCRIPTION	END POINTS	FUNCTION
000	14/16 WHT	A1, A2, C1, D1, D2	GROUND
001	16 BRN	A1, C1, D1	PARK/MARKER
002	16 GRN	A1, C1, C2	RH TURN
003	16 YEL	C1, C2, D1	LH TURN
010	16 TAN	C1, D2	LH LOW BEAM
011	16 RED	C1, D2	LH HIGH BEAM
012	16 PNK	A2, C1	RH LOW BEAM
013	16 ORN	A2, C1	RH HIGH BEAM

REV.	DESCRIPTION	DATE	BY	CHK.	DATE	SHT	OF
D	006385205					1	1
A	WAS PWD 12/16/394				12/16/394		
B	A1 & D1 GRAPHIC UPDATED				12/16/394		
C	18" WAS 9" AT 'B'				12/16/394		
D	24" WAS 18"				12/16/394		

- ←(011) 16 RED (A) LH HIGH BEAM
- ←(010) 16 TAN (A) LH LOW BEAM
- ←(013) 16 ORN (C) RH HIGH BEAM
- ←(012) 16 PNK (D) RH LOW BEAM
- ←(001) 16 BRN (E) PARK/MARKER LPS
- ←(003) 16 YEL (F) LH TURN
- ←(002) 16 GRN (G) RH TURN
- ←(000) 14 WHT (H) GROUND
- (PLUG) PLUG (J) [46013873]
- (PLUG) PLUG (K) [46013873]

- ←(002) 16 GRN (A) RH TURN
- ←(003) 16 YEL (B) LH TURN
- (VINYL TAPE 2 WRAPS)
- [46013850] CONN TO CKT
- [46012660] CONN 2 CKT SEALED
- [46012659] SEC LOCK
- [46012658] CONN 2 CKT SEALED
- [46012659] SEC LOCK
- [46012659] CONN 2 CKT SEALED
- [46012659] SEC LOCK



COMPATIBLE WITH 9007 HEADLAMP BULB (NOT SUPPLIED BY VENDOR)

PED 12048369  
 CONN - 3 CKT  
 PESEL# 2048371  
 PED# 12048370  
 GASKET

COMPATIBLE WITH 9007 HEADLAMP BULB (NOT SUPPLIED BY VENDOR)

PED 12048369  
 CONN - 3 CKT  
 PESEL# 2048371  
 PED# 12048370  
 GASKET

HARNESS AND LOOM TOLERANCES
UP TO 60" = -0/+2"
60" TO 100" = -0/+4"
100" TO 200" = -0/+5"
200" TO 400" = -0/+6"
400" TO 600" = -0/+7"
OVER 600" = -0/+8"

BO TO BO = -0/+2"  
 TOLERANCE IS NOT APPLICABLE TO OVERALL HARNESS LENGTH, BREAKOUT TO END, OR LOOM.

NOTES:

- SPLIT POLY LOOM UNLESS OTHERWISE NOTED.
- GXL WIRE.
- HARNESS TO HAVE A LABEL SHOWING MORGAN OLSON PART NUMBER, REVISION NUMBER AND DATE OF MANUFACTURE.
- TAPE (111088): 6" AT BREAKOUTS AND 2" AT LOOM ENDS.
- SPLICES TO BE AUTOMATED WITH HEAT SHRINK TUBING. HEAT SHRINK BUTT SPLICES ARE ACCEPTABLE FOR M-O FABRICATION IF NECESSARY.
- CONNECTORS SHOWN FROM WIRE ENTRY SIDE, UNLESS OTHERWISE NOTED.
- HARNESS TO BE TESTED FOR ARMATURES, SHORTS, AND CONTINUITY.
- VENDOR MAY REPLACE WITH APPROVED MOULDINGS OR CONNECTORS. PIGTAILS SHOWN IN TERMINAL VIEW.
- SPLIT POLYPROPYLENE LOOM, BACK WITH GREEN STRIPE OR NYLON, BLACK WITH GRAY STRIPE. ADVISOR TO USE THE STRIPE IDENTIFICATION SYSTEM UNLESS OTHERWISE SPECIFIED ON THE DRAWING.
- VENDOR MAY REPLACE WITH APPROVED MOULDINGS OR CONNECTORS. PIGTAILS SHOWN IN TERMINAL VIEW.

**MORGAN OLSON**

GENERAL STATISTICS (UNLESS OTHERWISE NOTED)

1. MAKE/REV: 1 03/0000  
 2. MFG AT: BOSTON MA 01515  
 3. REV AT: 12/16/394  
 4. MFG AT: 12/16/394

DATE: 23MAY06  
 TIME: 05-0857

DO NOT SCALE

HARN HOOD F/G  
 MZ FCC 2006

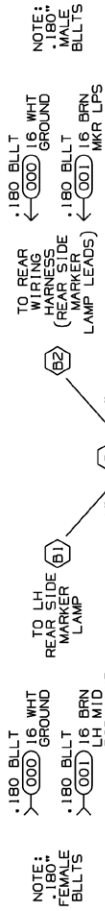
SCALE: NONE  
 REV: D

# 007381203 MID BODY MARKERS

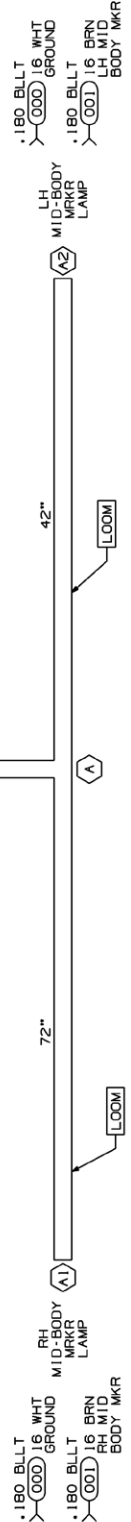
# 007381203 MID BODY MARKERS

DRAWING NO.	REV	SHT
007381203		1 of 1
DESCRIPTION	BY	DATE
RELEASE TO PRODUCTION		

CIRCUIT GAUGE, COLOR	END POINTS	FUNCTION
000 16 WHT	A1, A2, B1, B2	GROUND
001 16 BRN	A1, A2, B1, B2	SIDE MARKER LAMPS



1. GXL WIRE.
2. SPLIT POLY LOOM UNLESS OTHERWISE NOTED.
3. HARNESSES TO HAVE A LABEL SHOWING MORGAN OLSON PART NUMBER, REVISION LEVEL, AND DATE OF MANUFACTURE.
4. TAPE (1111098): 6" AT BREAKOUTS AND 2" AT LOOM ENDS.
5. SPLICES TO BE AUTOMATED WITH HEAT SHRINK TUBING. HEAT SHRINK BUTT SPLICES ARE ACCEPTABLE FOR M-O FABRICATION IF NECESSARY.
6. CONNECTORS SHOWN FROM WIRE ENTRY SIDE, UNLESS OTHERWISE NOTED.
7. HARNESSES TO BE TESTED FOR CONTENT, OPENS, SHORTS, AND CONTINUITY.
8. VENDOR MAY REPLACE PIGTAILS WITH WIRING TO APPROVED SOLDINGS OR APPROVED PIGTAILS SHOWN IN TERMINAL VIEW.



DATE	02JAN08	DATE	02JAN08
TIME	TMC	DATE	08-0001
DO NOT SCALE			
NAME: HARNESSES MID-BODY MARKERS 2008 (SEED TRUCK) P&P .180 BLLTS			
SHT	1 of 1	SCALE	NONE
DRAWING NO.	007381203	REV	

**MORGAN OLSON**

GENERAL STANDARDS UNLESS OTHERWISE NOTED:

1. WIRE GAUGE: 16 AWG
2. WIRE TYPE: 100% COPPER UNLESS OTHERWISE SPECIFIED
3. WIRE COLOR: AS SHOWN ON DRAWING
4. ALL WIRING MUST BE PROTECTED BY SPLIT POLY LOOM UNLESS OTHERWISE NOTED
5. ALL WIRING MUST BE PROTECTED BY SPLIT POLY LOOM UNLESS OTHERWISE NOTED
6. ALL WIRING MUST BE PROTECTED BY SPLIT POLY LOOM UNLESS OTHERWISE NOTED

HARNESSES AND LOOM TOLERANCES:

UP TO 60" = -0/+2"

60" TO 100" = -0/+4"

100" TO 200" = -0/+5"

200" TO 400" = -0/+6"

400" TO 600" = -0/+7"

OVER 600" = -0/+8"

BO TO BO = -0/+2"

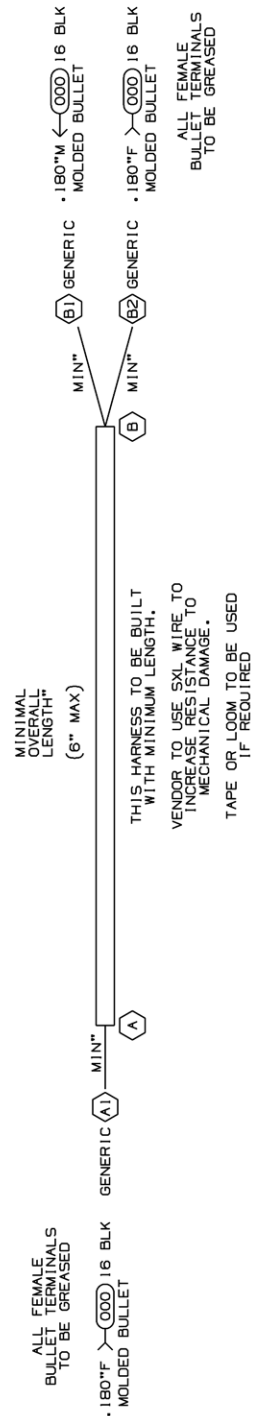
TOLERANCE IS NOT ACCUMULATIVE. LENGTH APPLIES TO OVERALL HARNESSES LENGTH, BREAKOUT TO END, OR LOOM.

# 007388300 JUMPER 6" "Y"

# 007388300 JUMPER 6" "Y"

DRAWING NO.	REV	SHT	LOF
007388300			
REV.	DESCRIPTION	BY	REL NO.
		CHK.	DATE
	RELEASE TO PRODUCTION		

CIRCUIT	END POINTS	FUNCTION
000	A1, B1, B2	GENERIC



8. VENDOR MAY REPLACE PIGTAILS WITH WIRING TO APPROVED MOLDINGS OR CONNECTORS. PIGTAILS SHOWN IN TERMINAL VIEW.
7. HARNESS TO BE TESTED FOR CONTENT, OPENS, SHORTS, AND CONTINUITY.
6. CONNECTORS SHOWN FROM WIRE CENTER LINE, UNLESS OTHERWISE NOTED.
5. SPLICES TO BE AUTOMATED WITH HEAT SHRINK TUBING. HEAT SHRINK BUTT SPLICES ARE ACCEPTABLE FOR FABRICATION IF NECESSARY.
4. TAPE [1111098], 6" AT BREAKOUTS AND 2" AT LOOM ENDS.
3. HARNESS TO HAVE A LABEL SHOWING MORGAN OLSON PART NUMBER, REVISION LEVEL, AND DATE OF MANUFACTURE.
2. SPLIT POLY LOOM UNLESS OTHERWISE NOTED.
1. SXL WIRE.

NOTES:

PROPRIETARY

This drawing and the information and data contained herein are the property of Morgan Olson and shall not be reproduced, stored in a retrieval system, or transmitted in any form or by any means, electronic, mechanical, photocopying, recording, or by any information storage and retrieval system, without the prior written consent of Morgan Olson.

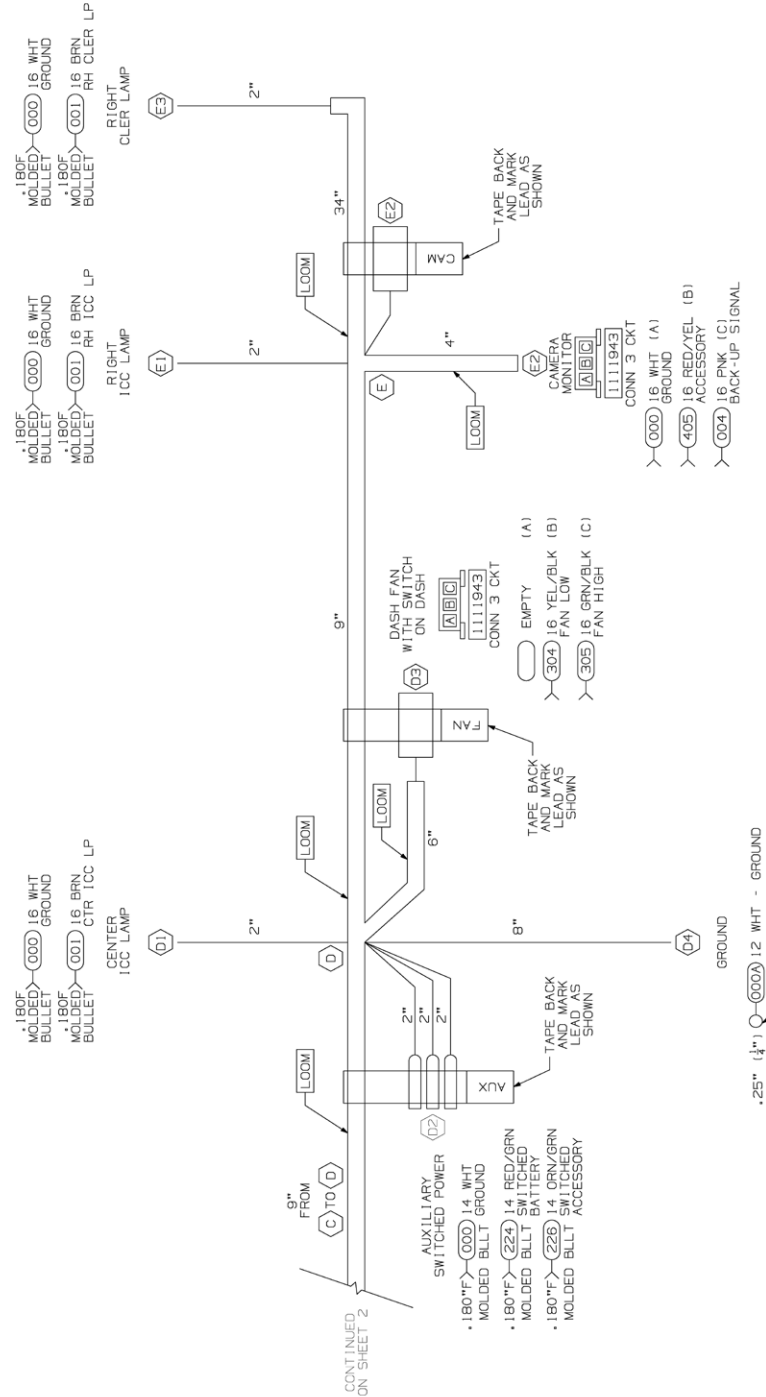


GENERAL STANDARDS UNLESS OTHERWISE NOTED:			
1. HARNESS # 1.0.5.0000	2. WIRE # 1.0.5.0000	3. TAPES # 1.0.5.0000	4. POLY LOOM # 1.0.5.0000
HARNESS AND LOOM TOLERANCES			
UP TO 60" = -0/+2"	60" TO 100" = -0/+4"	100" TO 200" = -0/+5"	200" TO 400" = -0/+6"
400" TO 600" = -0/+7"	OVER 600" = -0/+8"	BO TO BO = -0/+2"	
TOLERANCE IS NOT ACCUMULATIVE. LENGTH APPLIES TO OVERALL HARNESS LENGTH, BREAKOUT TO END, OR LOOM.			
FIRST USE: BASIC CIRCUIT SPLITTER			

# 147391200 1/2 ROOF NOSE

# 147391200 1/2 ROOF NOSE

DRAWING NO.	REV	SHT
147391200	REL	1 of 2
DESCRIPTION	DATE	BY
RELEASE FOR PRODUCTION		



DATE	11MAR14
BY	11MAR14
CHECKED	42844
DO NOT SCALE	
HARN. ROOF NOSE	81" HIGH

**MORGAN OLSON**

PROPRIETARY

THIS DRAWING IS THE PROPERTY OF MORGAN OLSON. IT IS TO BE USED ONLY FOR THE PURPOSES SPECIFIED HEREIN. IT IS NOT TO BE REPRODUCED, COPIED, OR TRANSMITTED IN ANY FORM OR BY ANY MEANS, ELECTRONIC OR MECHANICAL, INCLUDING PHOTOCOPYING, RECORDING, OR BY ANY INFORMATION STORAGE AND RETRIEVAL SYSTEM. WITHOUT THE WRITTEN PERMISSION OF MORGAN OLSON, THIS DRAWING IS TO BE DESTROYED.

- NOTES:
- GXL WIRE.
  - SPLIT POLY LOOM UNLESS OTHERWISE NOTED.
  - HARNESS TO HAVE A LABEL SHOWING MORGAN OLSON PART NUMBER, REVISION LEVEL, AND DATE OF MANUFACTURE.
  - TAPE [1111098], 6" AT BREAKOUTS FOR MINIMUM BRED LOOM LENGTHS GREATER THAN 24", AND 2" AT LOOM ENDS.
  - CONNECTORS SHOWN FROM WIRE ENTRY SIDE, UNLESS OTHERWISE NOTED.
  - SPLICES TO BE AUTOMATED WITH SOLDER, AND ADHESIVE LINED HEAT SHRINK TUBING.
  - TAPE [1111098], 6" AT BREAKOUTS FOR MINIMUM BRED LOOM LENGTHS GREATER THAN 24", AND 2" AT LOOM ENDS.
  - HARNESS TO HAVE A LABEL SHOWING MORGAN OLSON PART NUMBER, REVISION LEVEL, AND DATE OF MANUFACTURE.
  - SPLIT POLY LOOM UNLESS OTHERWISE NOTED.
  - GXL WIRE.

HARNESS AND LOOM TOLERANCES

UP TO 60"	-0/+2"
60" TO 100"	-0/+4"
100" TO 200"	-0/+5"
200" TO 400"	-0/+6"
400" TO 600"	-0/+7"
OVER 600"	-0/+8"
BO TO BO	-0/+2"

LENGTHS APPLY FROM BREAKOUT TO BREAKOUT, ENTRY SIDE OF CONNECTOR, OR END OF COVER.

BASED ON 007391210

# 147391200 2/2 ROOF NOSE

# 147391200 2/2 ROOF NOSE

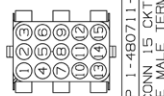
DRAWING NO.	REV	SHT
147391200	REL	2 of 2
DESCRIPTION	DATE	BY
RELEASE FOR PRODUCTION		

CIRCUIT	GA/COLOR	END POINTS	FUNCTION
109	16 GRN	A1,C2	WIPER PK SWITCH OUTPUT
224	14 RED/GRN	A1,D2	BATTERY - SWITCHED
226	14 ORN/GRN	A1,D2	ACCESSORY - SWITCHED
304	16 YEL/BLK	A1,D3	DASH FAN LOW
305	16 GRN/BLK	A1,D3	DASH FAN HIGH
405	16 RED/YEL	A1,E2	AUXILIARY ACCESSORY

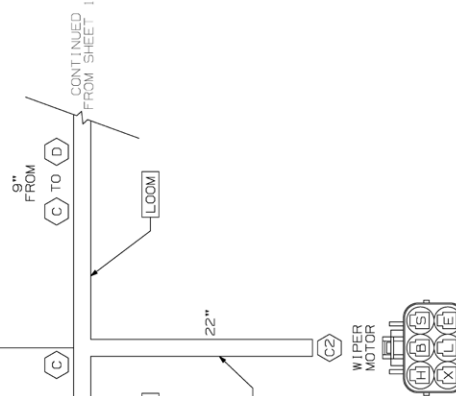
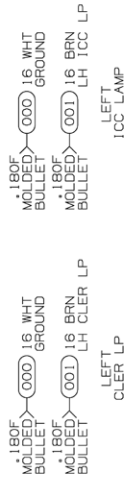
CIRCUIT	GA/COLOR	END POINTS	FUNCTION
000A	12 WHT	A1,D4, SPLICE 1	GROUND
000	14/16 WHT	B1,C1,C2,D1,D2,E1,E2,E3, SPLICE 1	GROUND
001	16 BRN	A1,B1,C1,D1,E1,E3	CLEARANCE/ICC LPS
004	16 PNK	A1,E2	BACK-UP SIGNAL
106	16 LBL	A1,C2	WIPER PARK SWITCH B+
107	16 GRN/WHT	A1,C2	WIPER LOW
108	16 RED/WHT	A1,C2	WIPER HIGH

SPLICE 1  
 000A, 12 WHT IS TO BE  
 SPLICED TO THE  
 000 WHT CIRCUIT.  
 VENDOR TO DETERMINE  
 LOCATION(S)

- ← 000A 12 WHT (1) GROUND
- ← 001 16 BRN (2) CLEARANCE/ICC LAMPS
- ← 004 16 PNK (3) BACK-UP SIGNAL
- ← 106 16 LBL (4) WIPER PARK SWITCH B+
- ← 107 16 GRN/WHT (6) WIPER LOW
- ← 108 16 RED/WHT (7) WIPER HIGH
- ← 109 16 GRN (9) WIPER PARK SW OUTPUT
- ← 224 14 RED/GRN (10) BATT (SW)
- ← 226 14 ORN/GRN (12) ACCY (SW)
- ← 304 16 YEL/BLK (13) FAN LOW
- ← 305 16 GRN/BLK (14) FAN HIGH
- ← 405 16 RED/YEL (15) ACCESSORY



- AME 317-1043 6 CKT CONN
- AME 317-1048 SPACER
- AME 317-1044 TERMINALS (5)
- > (108) 16 RED/WHT (H) WIPER HIGH
- > (106) 16 LBL (B) WIPER PARK B+
- > (109) 16 GRN (S) WFR MTR SW OUTPUT
- > (000) 14 WHT (X) GROUND
- > (107) 16 GRN/WHT (L) WIPER LOW
- EMPTY (E)



PROPRIETARY

This drawing and the information and data contained hereon are the property of Morgan Olson and are to be used only for the purpose intended. No part of this drawing may be reproduced or transmitted in any form or by any means, electronic, mechanical, photocopying, recording, or by any information storage and retrieval system, without the prior written consent of Morgan Olson.



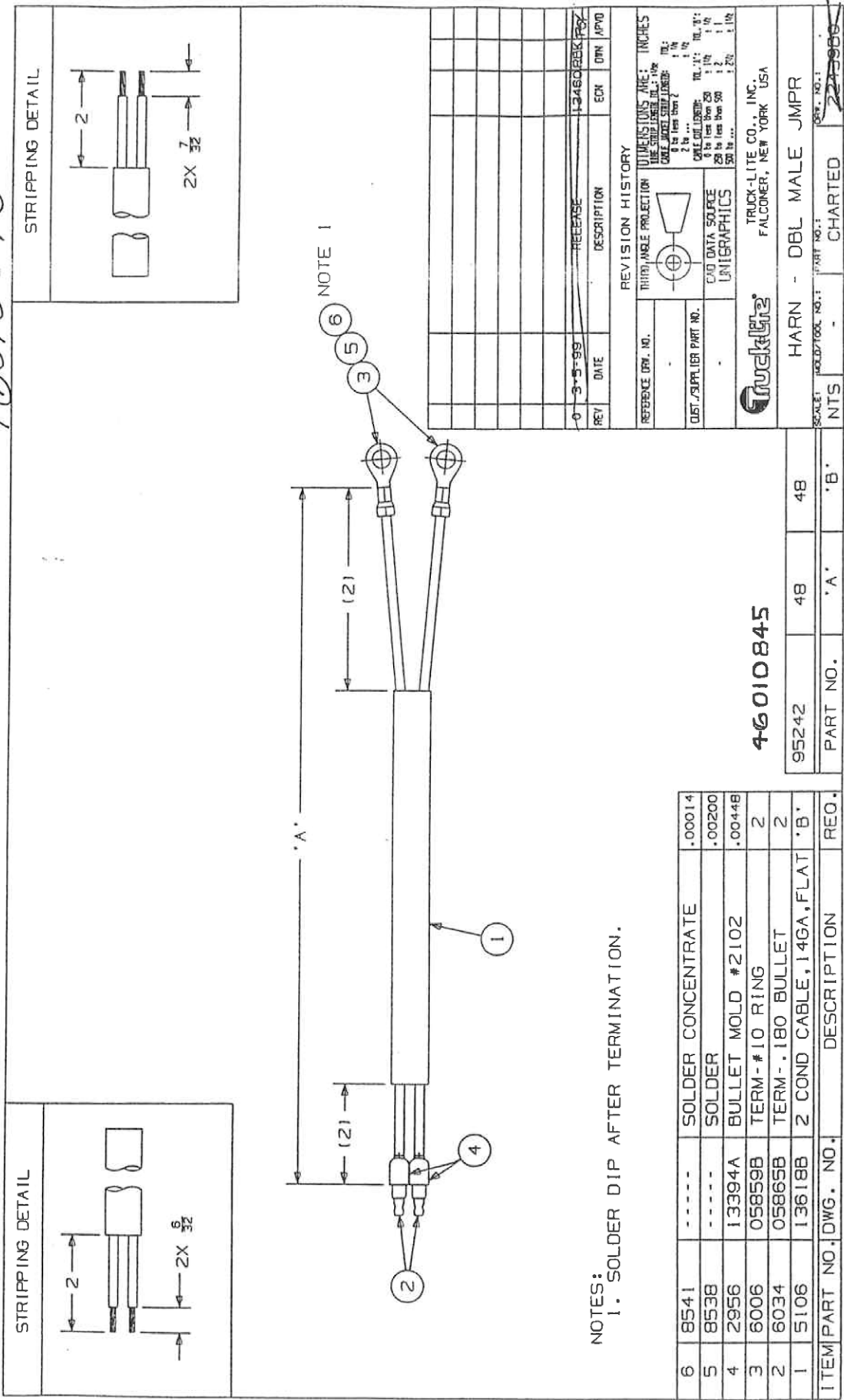
MINIMAL STANDARDS UNLESS OTHERWISE NOTED:  
 1. TOLERANCES: X, Y, Z, M, S, H, K, N, P, R, V, W, Y, Z, 11, 12, 13, 14, 15, 16, 17, 18, 19, 20, 21, 22, 23, 24, 25, 26, 27, 28, 29, 30, 31, 32, 33, 34, 35, 36, 37, 38, 39, 40, 41, 42, 43, 44, 45, 46, 47, 48, 49, 50, 51, 52, 53, 54, 55, 56, 57, 58, 59, 60, 61, 62, 63, 64, 65, 66, 67, 68, 69, 70, 71, 72, 73, 74, 75, 76, 77, 78, 79, 80, 81, 82, 83, 84, 85, 86, 87, 88, 89, 90, 91, 92, 93, 94, 95, 96, 97, 98, 99, 100, 101, 102, 103, 104, 105, 106, 107, 108, 109, 110, 111, 112, 113, 114, 115, 116, 117, 118, 119, 120, 121, 122, 123, 124, 125, 126, 127, 128, 129, 130, 131, 132, 133, 134, 135, 136, 137, 138, 139, 140, 141, 142, 143, 144, 145, 146, 147, 148, 149, 150, 151, 152, 153, 154, 155, 156, 157, 158, 159, 160, 161, 162, 163, 164, 165, 166, 167, 168, 169, 170, 171, 172, 173, 174, 175, 176, 177, 178, 179, 180, 181, 182, 183, 184, 185, 186, 187, 188, 189, 190, 191, 192, 193, 194, 195, 196, 197, 198, 199, 200, 201, 202, 203, 204, 205, 206, 207, 208, 209, 210, 211, 212, 213, 214, 215, 216, 217, 218, 219, 220, 221, 222, 223, 224, 225, 226, 227, 228, 229, 230, 231, 232, 233, 234, 235, 236, 237, 238, 239, 240, 241, 242, 243, 244, 245, 246, 247, 248, 249, 250, 251, 252, 253, 254, 255, 256, 257, 258, 259, 260, 261, 262, 263, 264, 265, 266, 267, 268, 269, 270, 271, 272, 273, 274, 275, 276, 277, 278, 279, 280, 281, 282, 283, 284, 285, 286, 287, 288, 289, 290, 291, 292, 293, 294, 295, 296, 297, 298, 299, 300, 301, 302, 303, 304, 305, 306, 307, 308, 309, 310, 311, 312, 313, 314, 315, 316, 317, 318, 319, 320, 321, 322, 323, 324, 325, 326, 327, 328, 329, 330, 331, 332, 333, 334, 335, 336, 337, 338, 339, 340, 341, 342, 343, 344, 345, 346, 347, 348, 349, 350, 351, 352, 353, 354, 355, 356, 357, 358, 359, 360, 361, 362, 363, 364, 365, 366, 367, 368, 369, 370, 371, 372, 373, 374, 375, 376, 377, 378, 379, 380, 381, 382, 383, 384, 385, 386, 387, 388, 389, 390, 391, 392, 393, 394, 395, 396, 397, 398, 399, 400, 401, 402, 403, 404, 405, 406, 407, 408, 409, 410, 411, 412, 413, 414, 415, 416, 417, 418, 419, 420, 421, 422, 423, 424, 425, 426, 427, 428, 429, 430, 431, 432, 433, 434, 435, 436, 437, 438, 439, 440, 441, 442, 443, 444, 445, 446, 447, 448, 449, 450, 451, 452, 453, 454, 455, 456, 457, 458, 459, 460, 461, 462, 463, 464, 465, 466, 467, 468, 469, 470, 471, 472, 473, 474, 475, 476, 477, 478, 479, 480, 481, 482, 483, 484, 485, 486, 487, 488, 489, 490, 491, 492, 493, 494, 495, 496, 497, 498, 499, 500, 501, 502, 503, 504, 505, 506, 507, 508, 509, 510, 511, 512, 513, 514, 515, 516, 517, 518, 519, 520, 521, 522, 523, 524, 525, 526, 527, 528, 529, 530, 531, 532, 533, 534, 535, 536, 537, 538, 539, 540, 541, 542, 543, 544, 545, 546, 547, 548, 549, 550, 551, 552, 553, 554, 555, 556, 557, 558, 559, 560, 561, 562, 563, 564, 565, 566, 567, 568, 569, 570, 571, 572, 573, 574, 575, 576, 577, 578, 579, 580, 581, 582, 583, 584, 585, 586, 587, 588, 589, 590, 591, 592, 593, 594, 595, 596, 597, 598, 599, 600, 601, 602, 603, 604, 605, 606, 607, 608, 609, 610, 611, 612, 613, 614, 615, 616, 617, 618, 619, 620, 621, 622, 623, 624, 625, 626, 627, 628, 629, 630, 631, 632, 633, 634, 635, 636, 637, 638, 639, 640, 641, 642, 643, 644, 645, 646, 647, 648, 649, 650, 651, 652, 653, 654, 655, 656, 657, 658, 659, 660, 661, 662, 663, 664, 665, 666, 667, 668, 669, 670, 671, 672, 673, 674, 675, 676, 677, 678, 679, 680, 681, 682, 683, 684, 685, 686, 687, 688, 689, 690, 691, 692, 693, 694, 695, 696, 697, 698, 699, 700, 701, 702, 703, 704, 705, 706, 707, 708, 709, 710, 711, 712, 713, 714, 715, 716, 717, 718, 719, 720, 721, 722, 723, 724, 725, 726, 727, 728, 729, 730, 731, 732, 733, 734, 735, 736, 737, 738, 739, 740, 741, 742, 743, 744, 745, 746, 747, 748, 749, 750, 751, 752, 753, 754, 755, 756, 757, 758, 759, 760, 761, 762, 763, 764, 765, 766, 767, 768, 769, 770, 771, 772, 773, 774, 775, 776, 777, 778, 779, 780, 781, 782, 783, 784, 785, 786, 787, 788, 789, 790, 791, 792, 793, 794, 795, 796, 797, 798, 799, 800, 801, 802, 803, 804, 805, 806, 807, 808, 809, 810, 811, 812, 813, 814, 815, 816, 817, 818, 819, 820, 821, 822, 823, 824, 825, 826, 827, 828, 829, 830, 831, 832, 833, 834, 835, 836, 837, 838, 839, 840, 841, 842, 843, 844, 845, 846, 847, 848, 849, 850, 851, 852, 853, 854, 855, 856, 857, 858, 859, 860, 861, 862, 863, 864, 865, 866, 867, 868, 869, 870, 871, 872, 873, 874, 875, 876, 877, 878, 879, 880, 881, 882, 883, 884, 885, 886, 887, 888, 889, 890, 891, 892, 893, 894, 895, 896, 897, 898, 899, 900, 901, 902, 903, 904, 905, 906, 907, 908, 909, 910, 911, 912, 913, 914, 915, 916, 917, 918, 919, 920, 921, 922, 923, 924, 925, 926, 927, 928, 929, 930, 931, 932, 933, 934, 935, 936, 937, 938, 939, 940, 941, 942, 943, 944, 945, 946, 947, 948, 949, 950, 951, 952, 953, 954, 955, 956, 957, 958, 959, 960, 961, 962, 963, 964, 965, 966, 967, 968, 969, 970, 971, 972, 973, 974, 975, 976, 977, 978, 979, 980, 981, 982, 983, 984, 985, 986, 987, 988, 989, 990, 991, 992, 993, 994, 995, 996, 997, 998, 999, 1000.

ALL	DATE	42844
DATE	11MARI14	DATE
DO NOT SCALE	DATE	11MARI14
NAME	HARN ROOF NOSE	
	91" HIGH	
DRAWING NO.	SCALE	NONE
SHT	147391200	REL
2 of 2		

# 46010845 DBL MALE JMPR

# 46010845 DBL MALE JMPR

46010845



NOTES:  
1. SOLDER DIP AFTER TERMINATION.

ITEM	PART NO.	DWG. NO.	DESCRIPTION	REQ.
6	8541	-----	SOLDER CONCENTRATE	.00014
5	8538	-----	SOLDER	.00200
4	2956	13394A	BULLET MOLD #2102	.00448
3	6006	05859B	TERM-#10 RING	2
2	6034	05865B	TERM-.180 BULLET	2
1	5106	13618B	2 COND CABLE, 14GA, FLAT	'B'

46010845

95242	48	'A'	48	'B'
PART NO.		'A'	'B'	



TRUCK-LITE CO., INC.  
FALCONER, NEW YORK USA

SCALE: 1:1	ASSEMBLY NO.:	DATE:	CHARTE	22998
NTS				

46010845

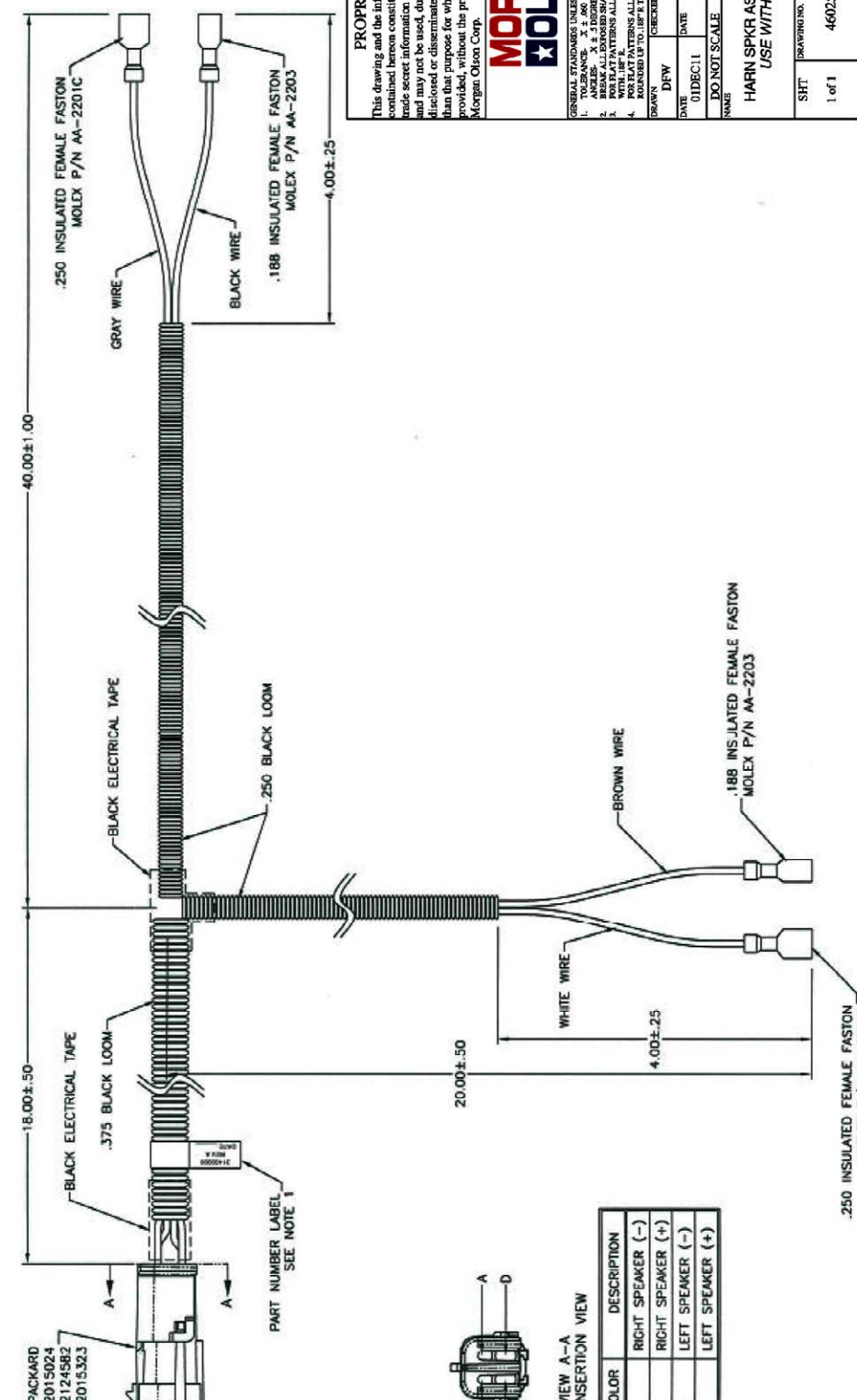
99-0808



# 46025591 SPEAKER WIRING

# 46025591 SPEAKER WIRING

DESIGN REVISIONS	
REV	DATE
A	10/14/11
REVISION HISTORY	
ORIGINAL	
ECO#	



NOTES:  
 1) LABEL TO HAVE PART NUMBER, REVISION, AND DATE.  
 2) ALL WIRES TO BE 20 GAUGE

4-PIN FEMALE PACKARD  
 CONNECTOR P/N 12015024  
 PACKARD PINS P/N 12124582  
 PACKARD SEAL P/N 12015323

PART NUMBER LABEL  
 SEE NOTE 1



VIEW A-A  
 WIRE INSERTION VIEW

PIN NO.	WIRE COLOR	DESCRIPTION
A	BLACK	RIGHT SPEAKER (-)
B	GRAY	RIGHT SPEAKER (+)
C	BROWN	LEFT SPEAKER (-)
D	WHITE	LEFT SPEAKER (+)

**PROPRIETARY**  
 This drawing and the information and data contained herein are the property of Morgan Olson Corp. and may not be used, duplicated or further disclosed or disseminated for any purpose other than that purpose for which it was originally provided, without the prior written consent of Morgan Olson Corp.



GENERAL STANDARDS UNLESS OTHERWISE NOTED:  
 1. ANGLES: X & 3 DEGREES  
 2. BREAK ALL DIMENSIONS SHARP EDGES AND DRILLING  
 3. WITH .015 TOLERANCE  
 4. FOR FLAT PATTERNS ALL OPPOSITE CORNERS MAY BE ROUNDED UP TO .015 TOLERANCE

DRAWN	DFW	CHECKED	37156
DATE	01DEC11	DATE	01DEC11
DO NOT SCALE			
NAME			
HARN SPKR ASAM MOSPKHRN			
USE WITH 46025590			
SHT	DRAWING NO.		SCALE
1 of 1	46025591		NONE
			REV

Business (unless otherwise specified) Part #:  
 DIMENSIONS IN 1/16" DECIMALS FOR ALL UNLESS OTHERWISE SPECIFIED  
 DIMENSIONS IN 1/32" AND 1/8" INCHES  
 THIS DRAWING IS THE PROPERTY OF AS ELECTRONICS

THIS DRAWING IS THE PROPERTY OF AS ELECTRONICS. ANY REPRODUCTION OR USE WITHOUT THE WRITTEN PERMISSION OF AS ELECTRONICS IS PROHIBITED.

CONFIDENTIAL: This drawing and the information contained herein are the property of AS Electronics. The drawing may not be reproduced or used in any form without the written authorization of AS Electronics.

10/14/11  
 REV: 10/14/11  
 DRAWN BY: J. HAMILTON

SCALE: N/A  
 SHEET: 1 OF 1  
 DATE: 10/14/11  
 DESCRIPTION: HARNNESS, 4 PIN PACKCARD TO FASTON SPEAKERS

31400009

HARN SPKR ASAM MOSPKHRN  
 USE WITH 46025590

1 of 1  
 DRAWING NO. 46025591  
 SCALE NONE  
 REV

AS Electronics  
 2602 Marlene Drive  
 Elkhart, IN 46514  
 www.asselectronics.com

REV	DATE	BY	CHKD	DESCRIPTION
1	10/14/11	JHAMILTON	A	REVISION A

31400009-1  
 DWG

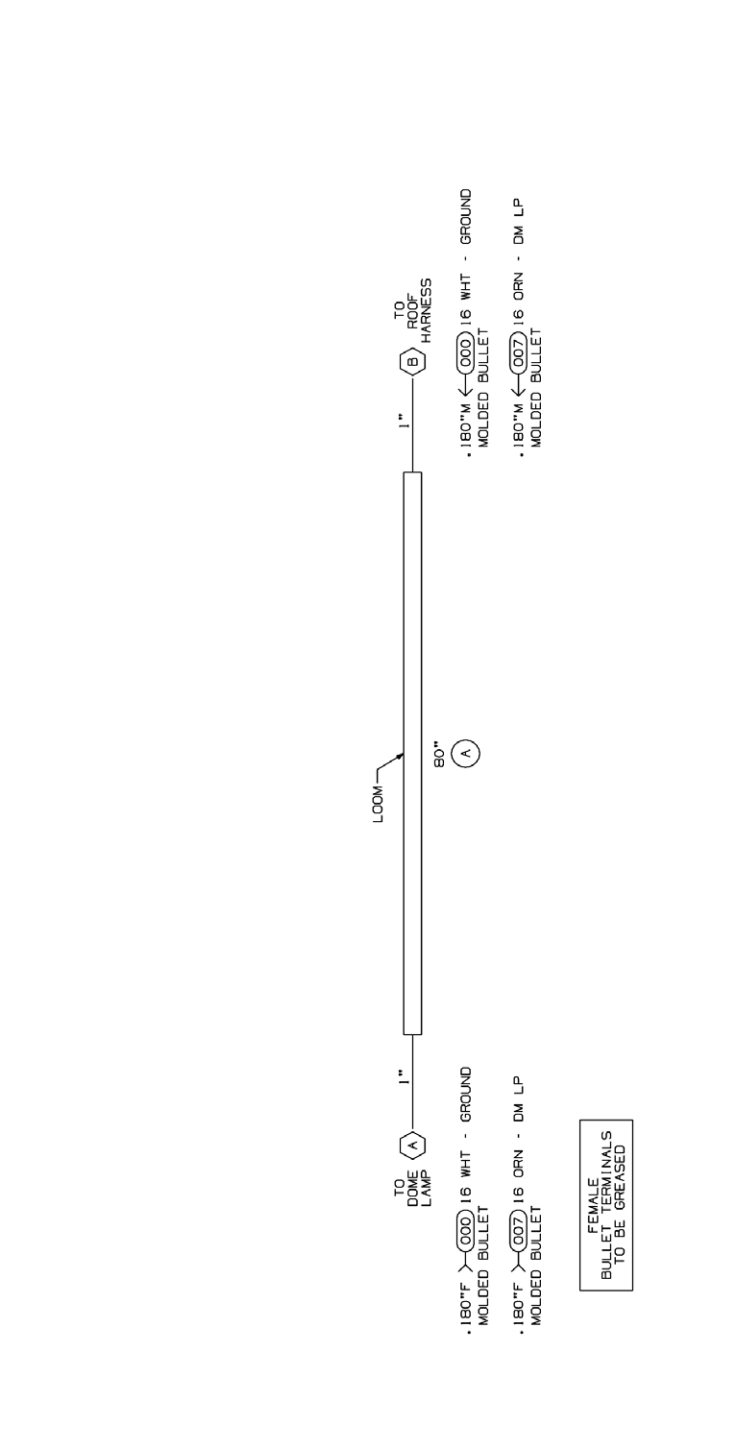
DOCUMENT REVISIONS

# 090093202 HARNESS D/LMP

# 090093202 HARNESS D/LMP

REV.	DESCRIPTION	DATE	BY	CHK.	DATE	SHEET	NO. OF
A	80" WAS 64"						
	RELEASE FOR PRODUCTION						

DRAWING NO. 090093202	REV. A	SHEET 1 OF 1
--------------------------	-----------	-----------------



- 9. THIS IS A PURCHASED HARNESS. NO BILL OF MATERIAL EXISTS.
- 8. VENDOR MAY REPLACE PIGTAILS WITH WIRING TO APPROVED MOLDINGS OR CONNECTORS. PIGTAILS SHOWN IN TERMINAL VIEW.
- 7. HARNESS TO BE TESTED FOR CONTENT, OPENS, SHORTS, AND CONTINUITY.
- 6. CONNECTORS SHOWN FROM THE VENDOR'S END, UNLESS OTHERWISE NOTED.
- 5. SPLICES TO BE AUTOMATED WITH SOLDER, AND ADHESIVE LINED HEAT SHRINK TUBING.
- 4. TAPE (1111098): 6" AT BREAKOUTS FOR ANTI-FERRIP-RED LOOM LENGTHS GREATER THAN 24", AND 2" AT LOOM ENDS.
- 3. HARNESS TO HAVE A LABEL SHOWING MORGAN OLSON PART NUMBER, REVISION LEVEL, AND DATE OF MANUFACTURE.
- 2. SPLIT PLY LOOM UNLESS OTHERWISE NOTED.
- 1. GXL WIRE.

NOTES:

**PROPRIETARY**

This is a proprietary design. No part of this document may be reproduced or transmitted in any form or by any means, electronic or mechanical, including photocopying, recording, or by any information storage and retrieval system, without the prior written consent of Morgan Olson.

DATE	28818
DATE	260CT09
DATE	260CT09
DATE	
DATE	

HARN JPR CRG D/LP  
GEN 180BL1T

DRAWING NO. 090093202

SHEET 1 OF 1

SCALE NONE

REV. A

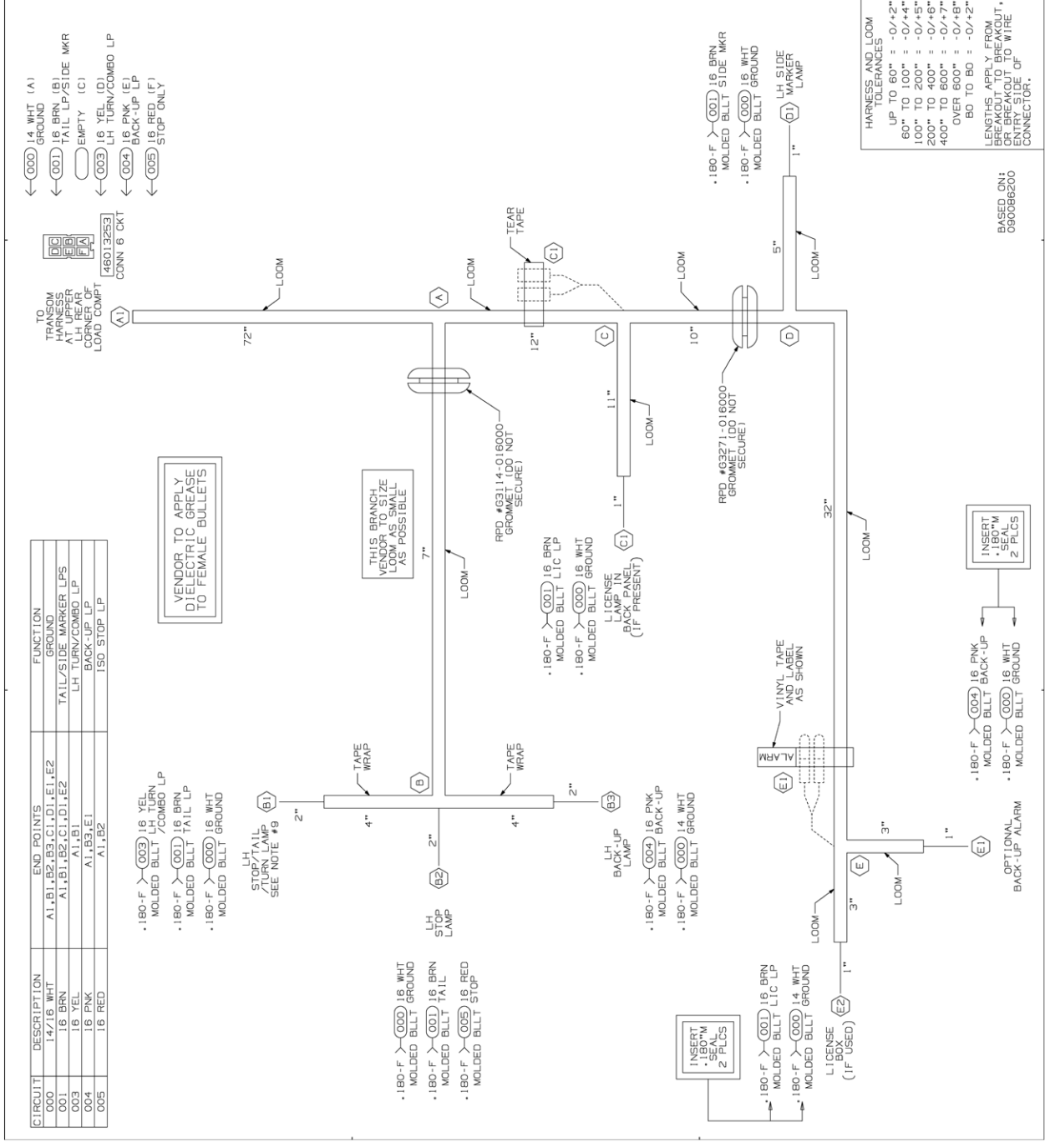
<b>MORGAN OLSON</b>	
GENERAL STANDARDS UNLESS OTHERWISE NOTED	
1. ALL DIMENSIONS ARE UNLESS OTHERWISE SPECIFIED	2. ALL DIMENSIONS ARE UNLESS OTHERWISE SPECIFIED
3. ALL DIMENSIONS ARE UNLESS OTHERWISE SPECIFIED	4. ALL DIMENSIONS ARE UNLESS OTHERWISE SPECIFIED
5. ALL DIMENSIONS ARE UNLESS OTHERWISE SPECIFIED	6. ALL DIMENSIONS ARE UNLESS OTHERWISE SPECIFIED
7. ALL DIMENSIONS ARE UNLESS OTHERWISE SPECIFIED	8. ALL DIMENSIONS ARE UNLESS OTHERWISE SPECIFIED
9. ALL DIMENSIONS ARE UNLESS OTHERWISE SPECIFIED	10. ALL DIMENSIONS ARE UNLESS OTHERWISE SPECIFIED
11. ALL DIMENSIONS ARE UNLESS OTHERWISE SPECIFIED	12. ALL DIMENSIONS ARE UNLESS OTHERWISE SPECIFIED
13. ALL DIMENSIONS ARE UNLESS OTHERWISE SPECIFIED	14. ALL DIMENSIONS ARE UNLESS OTHERWISE SPECIFIED
15. ALL DIMENSIONS ARE UNLESS OTHERWISE SPECIFIED	16. ALL DIMENSIONS ARE UNLESS OTHERWISE SPECIFIED
17. ALL DIMENSIONS ARE UNLESS OTHERWISE SPECIFIED	18. ALL DIMENSIONS ARE UNLESS OTHERWISE SPECIFIED
19. ALL DIMENSIONS ARE UNLESS OTHERWISE SPECIFIED	20. ALL DIMENSIONS ARE UNLESS OTHERWISE SPECIFIED
21. ALL DIMENSIONS ARE UNLESS OTHERWISE SPECIFIED	22. ALL DIMENSIONS ARE UNLESS OTHERWISE SPECIFIED
23. ALL DIMENSIONS ARE UNLESS OTHERWISE SPECIFIED	24. ALL DIMENSIONS ARE UNLESS OTHERWISE SPECIFIED
25. ALL DIMENSIONS ARE UNLESS OTHERWISE SPECIFIED	26. ALL DIMENSIONS ARE UNLESS OTHERWISE SPECIFIED
27. ALL DIMENSIONS ARE UNLESS OTHERWISE SPECIFIED	28. ALL DIMENSIONS ARE UNLESS OTHERWISE SPECIFIED
29. ALL DIMENSIONS ARE UNLESS OTHERWISE SPECIFIED	30. ALL DIMENSIONS ARE UNLESS OTHERWISE SPECIFIED
31. ALL DIMENSIONS ARE UNLESS OTHERWISE SPECIFIED	32. ALL DIMENSIONS ARE UNLESS OTHERWISE SPECIFIED
33. ALL DIMENSIONS ARE UNLESS OTHERWISE SPECIFIED	34. ALL DIMENSIONS ARE UNLESS OTHERWISE SPECIFIED
35. ALL DIMENSIONS ARE UNLESS OTHERWISE SPECIFIED	36. ALL DIMENSIONS ARE UNLESS OTHERWISE SPECIFIED
37. ALL DIMENSIONS ARE UNLESS OTHERWISE SPECIFIED	38. ALL DIMENSIONS ARE UNLESS OTHERWISE SPECIFIED
39. ALL DIMENSIONS ARE UNLESS OTHERWISE SPECIFIED	40. ALL DIMENSIONS ARE UNLESS OTHERWISE SPECIFIED
41. ALL DIMENSIONS ARE UNLESS OTHERWISE SPECIFIED	42. ALL DIMENSIONS ARE UNLESS OTHERWISE SPECIFIED
43. ALL DIMENSIONS ARE UNLESS OTHERWISE SPECIFIED	44. ALL DIMENSIONS ARE UNLESS OTHERWISE SPECIFIED
45. ALL DIMENSIONS ARE UNLESS OTHERWISE SPECIFIED	46. ALL DIMENSIONS ARE UNLESS OTHERWISE SPECIFIED
47. ALL DIMENSIONS ARE UNLESS OTHERWISE SPECIFIED	48. ALL DIMENSIONS ARE UNLESS OTHERWISE SPECIFIED
49. ALL DIMENSIONS ARE UNLESS OTHERWISE SPECIFIED	50. ALL DIMENSIONS ARE UNLESS OTHERWISE SPECIFIED
51. ALL DIMENSIONS ARE UNLESS OTHERWISE SPECIFIED	52. ALL DIMENSIONS ARE UNLESS OTHERWISE SPECIFIED
53. ALL DIMENSIONS ARE UNLESS OTHERWISE SPECIFIED	54. ALL DIMENSIONS ARE UNLESS OTHERWISE SPECIFIED
55. ALL DIMENSIONS ARE UNLESS OTHERWISE SPECIFIED	56. ALL DIMENSIONS ARE UNLESS OTHERWISE SPECIFIED
57. ALL DIMENSIONS ARE UNLESS OTHERWISE SPECIFIED	58. ALL DIMENSIONS ARE UNLESS OTHERWISE SPECIFIED
59. ALL DIMENSIONS ARE UNLESS OTHERWISE SPECIFIED	60. ALL DIMENSIONS ARE UNLESS OTHERWISE SPECIFIED
61. ALL DIMENSIONS ARE UNLESS OTHERWISE SPECIFIED	62. ALL DIMENSIONS ARE UNLESS OTHERWISE SPECIFIED
63. ALL DIMENSIONS ARE UNLESS OTHERWISE SPECIFIED	64. ALL DIMENSIONS ARE UNLESS OTHERWISE SPECIFIED
65. ALL DIMENSIONS ARE UNLESS OTHERWISE SPECIFIED	66. ALL DIMENSIONS ARE UNLESS OTHERWISE SPECIFIED
67. ALL DIMENSIONS ARE UNLESS OTHERWISE SPECIFIED	68. ALL DIMENSIONS ARE UNLESS OTHERWISE SPECIFIED
69. ALL DIMENSIONS ARE UNLESS OTHERWISE SPECIFIED	70. ALL DIMENSIONS ARE UNLESS OTHERWISE SPECIFIED
71. ALL DIMENSIONS ARE UNLESS OTHERWISE SPECIFIED	72. ALL DIMENSIONS ARE UNLESS OTHERWISE SPECIFIED
73. ALL DIMENSIONS ARE UNLESS OTHERWISE SPECIFIED	74. ALL DIMENSIONS ARE UNLESS OTHERWISE SPECIFIED
75. ALL DIMENSIONS ARE UNLESS OTHERWISE SPECIFIED	76. ALL DIMENSIONS ARE UNLESS OTHERWISE SPECIFIED
77. ALL DIMENSIONS ARE UNLESS OTHERWISE SPECIFIED	78. ALL DIMENSIONS ARE UNLESS OTHERWISE SPECIFIED
79. ALL DIMENSIONS ARE UNLESS OTHERWISE SPECIFIED	80. ALL DIMENSIONS ARE UNLESS OTHERWISE SPECIFIED
81. ALL DIMENSIONS ARE UNLESS OTHERWISE SPECIFIED	82. ALL DIMENSIONS ARE UNLESS OTHERWISE SPECIFIED
83. ALL DIMENSIONS ARE UNLESS OTHERWISE SPECIFIED	84. ALL DIMENSIONS ARE UNLESS OTHERWISE SPECIFIED
85. ALL DIMENSIONS ARE UNLESS OTHERWISE SPECIFIED	86. ALL DIMENSIONS ARE UNLESS OTHERWISE SPECIFIED
87. ALL DIMENSIONS ARE UNLESS OTHERWISE SPECIFIED	88. ALL DIMENSIONS ARE UNLESS OTHERWISE SPECIFIED
89. ALL DIMENSIONS ARE UNLESS OTHERWISE SPECIFIED	90. ALL DIMENSIONS ARE UNLESS OTHERWISE SPECIFIED
91. ALL DIMENSIONS ARE UNLESS OTHERWISE SPECIFIED	92. ALL DIMENSIONS ARE UNLESS OTHERWISE SPECIFIED
93. ALL DIMENSIONS ARE UNLESS OTHERWISE SPECIFIED	94. ALL DIMENSIONS ARE UNLESS OTHERWISE SPECIFIED
95. ALL DIMENSIONS ARE UNLESS OTHERWISE SPECIFIED	96. ALL DIMENSIONS ARE UNLESS OTHERWISE SPECIFIED
97. ALL DIMENSIONS ARE UNLESS OTHERWISE SPECIFIED	98. ALL DIMENSIONS ARE UNLESS OTHERWISE SPECIFIED
99. ALL DIMENSIONS ARE UNLESS OTHERWISE SPECIFIED	100. ALL DIMENSIONS ARE UNLESS OTHERWISE SPECIFIED

FIRST USE:  
CV100632  
BASED ON:  
007388326

# 142086200 REAR WIRING

# 142086200 REAR WIRING

DRAWING NO.	REV	SHT
142086200	REL	1 of 1
DESCRIPTION		
RELEASE FOR PRODUCTION		



**NOTES:**

- WHEN ISOLATED STOP CIRCUIT AND 002 CAN REMAIN AS COMBINATION OR THEY CAN BE SEPARATE. BRACKETING IS USED TO BRING THE BRAKE FEED INTO TURN SIGNAL SWITCH.
- VENDOR MAY REPLACE PIGTAILS WITH WIRING TO APPROVED MOLDINGS OR CONNECTORS. SIGNALS SHOWN IN TERMINAL VIEW.
- HARNESSES TO BE TESTED FOR AND CONTINUITY, SHORTS, AND GROUNDING.
- CONNECTORS SHOWN FROM WIRE ENTRY SIDE, UNLESS OTHERWISE NOTED.
- SPLICES TO BE AUTOMATED WITH SOLDER, AND ADHESIVE LINED HEAT SHRINK TUBING.
- TAPE (1111098) .6" AT ENDS AND 2" AT LOOM.
- HARNESSES TO HAVE A LABEL WITH MORGAN OLSON PART NUMBER, REVISION LEVEL, AND DATE OF MANUFACTURE.
- SPLIT POLY LOOM UNLESS OTHERWISE NOTED.
1. GXL WIRE.

**PROPRIETARY**

**MORGAN OLSON**

SPECIAL STANDARD VALUE OPERATIVE NOTED  
 1. ANGLES OF 45 DEGREES. 2. 90 DEGREE. 3. 180 DEGREE. 4. 270 DEGREE.  
 5. 30 DEGREE. 6. 45 DEGREE. 7. 60 DEGREE. 8. 75 DEGREE. 9. 90 DEGREE.  
 10. 105 DEGREE. 11. 120 DEGREE. 12. 135 DEGREE. 13. 150 DEGREE. 14. 165 DEGREE. 15. 180 DEGREE. 16. 195 DEGREE. 17. 210 DEGREE. 18. 225 DEGREE. 19. 240 DEGREE. 20. 255 DEGREE. 21. 270 DEGREE. 22. 285 DEGREE. 23. 300 DEGREE. 24. 315 DEGREE. 25. 330 DEGREE. 26. 345 DEGREE. 27. 360 DEGREE.

DATE	11MARI4	DATE	11MARI4
BY	ALL	DATE	11MARI4

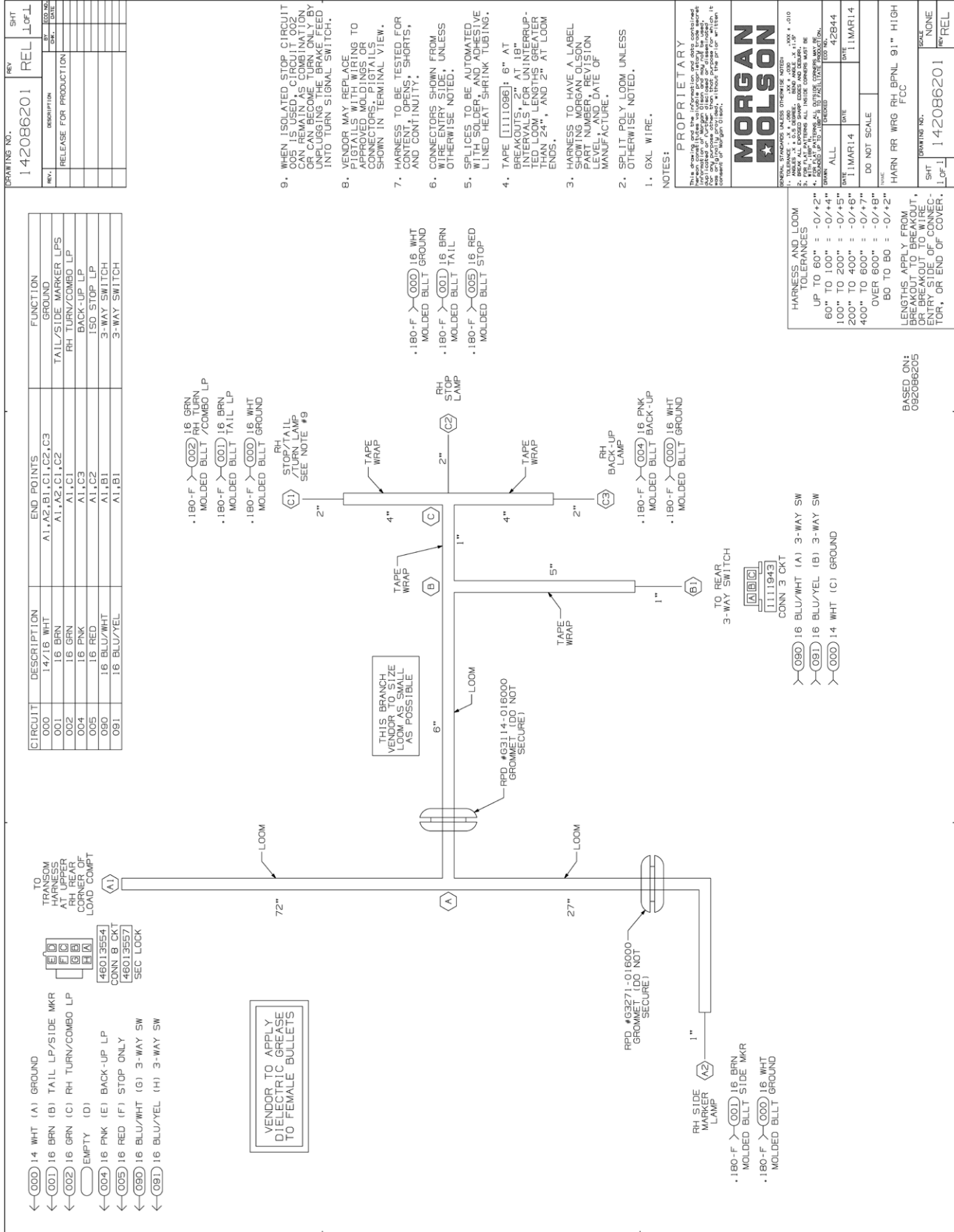
DO NOT SCALE

HARN RR WRG LH BPNL 91" HIGH  
FCC

SHT	SCALE	NONE
1 of 1	142086200	REL

# 092086203 REAR WIRING

# 092086203 REAR WIRING



- WHEN ISOLATED STOP CIRCUIT OPEN IS USED, CIRCUIT 002 CAN REMAIN AS COMBINATION OR CAN BECOME TURN ONLY BY INTRODUCING A BREAKOUT INTO TURN SIGNAL SWITCH.
- VENDOR MAY REPLACE PIGTAILS WITH APPROVED MOLDINGS OR CONNECTORS. PIGTAILS SHOWN IN TERMINAL VIEW. HARNESS TO BE TESTED FOR CONTENT, OPENS, SHORTS, AND CONTINUITY.
- CONNECTORS SHOWN FROM WIRE ENTRY SIDE, UNLESS OTHERWISE NOTED.
- SPLICES TO BE AUTOMATED WITH SOLDER, AND ADHESIVE LINED HEAT SHRINK TUBING.
- TAPE [1111098] 6" AT BREAKOUTS, 2" AT 18" INTERVALS FOR UNINTERRUPTED LOOM LENGTHS GREATER THAN 24", AND 2" AT LOOM ENDS.
- HARNESS TO HAVE A LABEL SHOWING PART NUMBER, POSITION LEVEL, AND DATE OF MANUFACTURE.
- SPLIT POLY LOOM UNLESS OTHERWISE NOTED.
- OXL WIRE.

NOTES:

1. OXL WIRE.

**PROPRIETARY**

This drawing and the information and data contained hereon are the property of Morgan Olson Service Parts and are to be used only for the production of parts for the equipment of Morgan Olson.

**MORGAN OLSON**

10000 W. 100TH STREET, SUITE 1000, EDEN PRAIRIE, MN 55327-1000

TEL: 952.962.2000 FAX: 952.962.2001

WWW.MORGANOLSON.COM

DATE: 11MARI4

DESIGNER: ALL

DATE: 11MARI4

DO NOT SCALE

HARN RR WRG RH BPLN 91" HIGH

DRAWING NO. 092086201

SHT 1 OF 1

REV REL

# 093093203 ROOF WIRING 1/2

# 093093203 ROOF WIRING 1/2

DRAWING NO.	REV	SHT
093093203	B	1 OF 2
DESCRIPTION	CHK.	DATE
RELEASE TO PRODUCTION		
REVISED DOME LAMP	LJM	27/04/02
BREAKOUT LENGTH	DFW	28/04/02
REV'D DM LP B/O'S	DFW	28/04/02

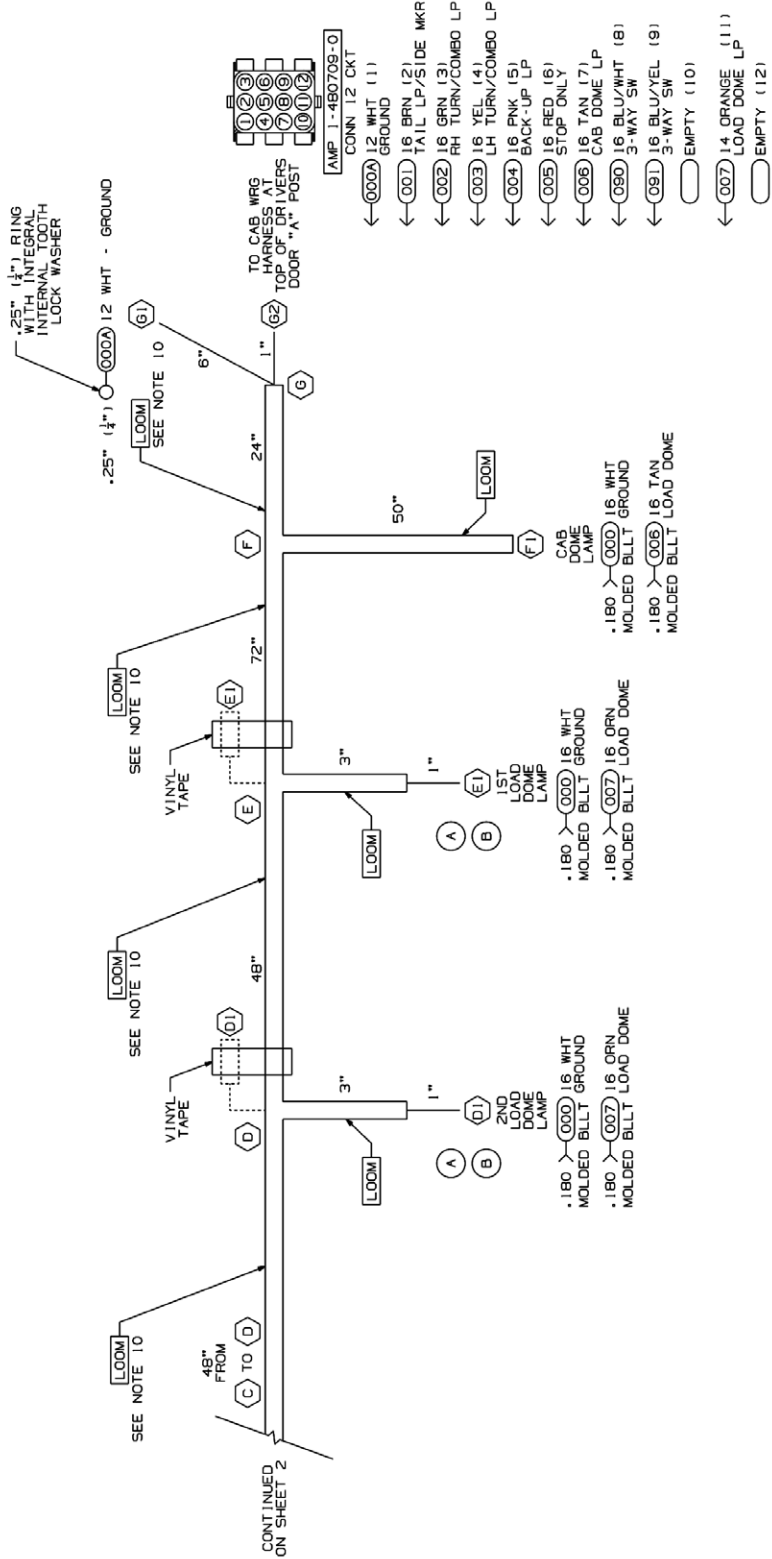
10. MAIN TRUNK OF HARNESS MUST FIT IN A .75 DIA. WIRE CHANNEL
9. THIS IS A PURCHASED HARNESS. NO BILL OF MATERIAL EXISTS.
8. VENDOR MAY REPLACE WITH WIRING TO APPROVED MOLDINGS OR CONNECTORS. PIGTAILS SHOWN IN TERMINAL VIEW.
7. HARNESS TO BE TESTED FOR CONTACTS, SHORTS, AND CONTINUITY.
6. CONNECTORS SHOWN FROM WIRE ENTRY SIDE, UNLESS OTHERWISE NOTED.
5. SPLICES TO BE AUTOMATED WITH HEAT SHRINK TUBING. HEAT SHRINK BUTT SPLICES ARE ACCEPTABLE FOR M-O FABRICATION IF NECESSARY.
4. TAPE [1111098]: 6" AT BREAKOUTS AND 2" AT LOOM ENDS.
3. HARNESS TO HAVE A LABEL SHOWING MORGAN OLSON PART NUMBER, REVISION LEVEL, AND DATE OF MANUFACTURE.
2. SPLIT POLY LOOM UNLESS OTHERWISE NOTED.
1. GXL WIRE.

NOTES:

PROPRIETARY

THIS DOCUMENT IS THE PROPERTY OF MORGAN OLSON. IT IS TO BE USED ONLY FOR THE PURPOSES SPECIFIED HEREIN. IT IS NOT TO BE REPRODUCED, COPIED, OR TRANSMITTED IN ANY FORM OR BY ANY MEANS, ELECTRONIC OR MECHANICAL, INCLUDING PHOTOCOPYING, RECORDING, OR BY ANY INFORMATION STORAGE AND RETRIEVAL SYSTEM, WITHOUT THE WRITTEN PERMISSION OF MORGAN OLSON.

<b>MORGAN OLSON</b>	
GENERAL STANDARDS UNLESS OTHERWISE NOTED:	
1. MATERIALS: .030, .035, .040, .045, .050, .055, .060, .065, .070, .075, .080, .085, .090, .095, .100, .105, .110, .115, .120, .125, .130, .135, .140, .145, .150, .155, .160, .165, .170, .175, .180, .185, .190, .195, .200, .205, .210, .215, .220, .225, .230, .235, .240, .245, .250, .255, .260, .265, .270, .275, .280, .285, .290, .295, .300, .305, .310, .315, .320, .325, .330, .335, .340, .345, .350, .355, .360, .365, .370, .375, .380, .385, .390, .395, .400, .405, .410, .415, .420, .425, .430, .435, .440, .445, .450, .455, .460, .465, .470, .475, .480, .485, .490, .495, .500, .505, .510, .515, .520, .525, .530, .535, .540, .545, .550, .555, .560, .565, .570, .575, .580, .585, .590, .595, .600, .605, .610, .615, .620, .625, .630, .635, .640, .645, .650, .655, .660, .665, .670, .675, .680, .685, .690, .695, .700, .705, .710, .715, .720, .725, .730, .735, .740, .745, .750, .755, .760, .765, .770, .775, .780, .785, .790, .795, .800, .805, .810, .815, .820, .825, .830, .835, .840, .845, .850, .855, .860, .865, .870, .875, .880, .885, .890, .895, .900, .905, .910, .915, .920, .925, .930, .935, .940, .945, .950, .955, .960, .965, .970, .975, .980, .985, .990, .995, 1.000	
2. WIRE: ALL EXPOSED SHIELD CODES AND IDENTIFIERS SHALL BE IDENTIFIED BY THE WIRE MANUFACTURER'S MARKING.	
3. WIRE: ALL WIRE SHALL BE IDENTIFIED BY THE WIRE MANUFACTURER'S MARKING.	
4. WIRE: ALL WIRE SHALL BE IDENTIFIED BY THE WIRE MANUFACTURER'S MARKING.	
5. WIRE: ALL WIRE SHALL BE IDENTIFIED BY THE WIRE MANUFACTURER'S MARKING.	
6. WIRE: ALL WIRE SHALL BE IDENTIFIED BY THE WIRE MANUFACTURER'S MARKING.	
7. WIRE: ALL WIRE SHALL BE IDENTIFIED BY THE WIRE MANUFACTURER'S MARKING.	
8. WIRE: ALL WIRE SHALL BE IDENTIFIED BY THE WIRE MANUFACTURER'S MARKING.	
9. WIRE: ALL WIRE SHALL BE IDENTIFIED BY THE WIRE MANUFACTURER'S MARKING.	
10. WIRE: ALL WIRE SHALL BE IDENTIFIED BY THE WIRE MANUFACTURER'S MARKING.	
DATE	15APR09
TIME	21:40:09
DO NOT SCALE	
NAME	HARNESS ROOF 21" x 24" x 6"
	M100 TRUCK .180F BLT
SHT	SCALE
1 OF 2	NONE
REV	B



HARNESS AND LOOM TOLERANCES	
UP TO 60"	= -0/+2"
60" TO 100"	= -0/+4"
100" TO 200"	= -0/+5"
200" TO 400"	= -0/+6"
400" TO 600"	= -0/+7"
OVER 600"	= -0/+8"
BO TO 80"	= -0/+2"
TOLERANCE IS NOT ACCUMULATIVE. LENGTH APPLIES TO OVERALL HARNESS LENGTH, BREAKOUT TO END, OR LOOM.	

# 093093203 ROOF WIRING 2/2

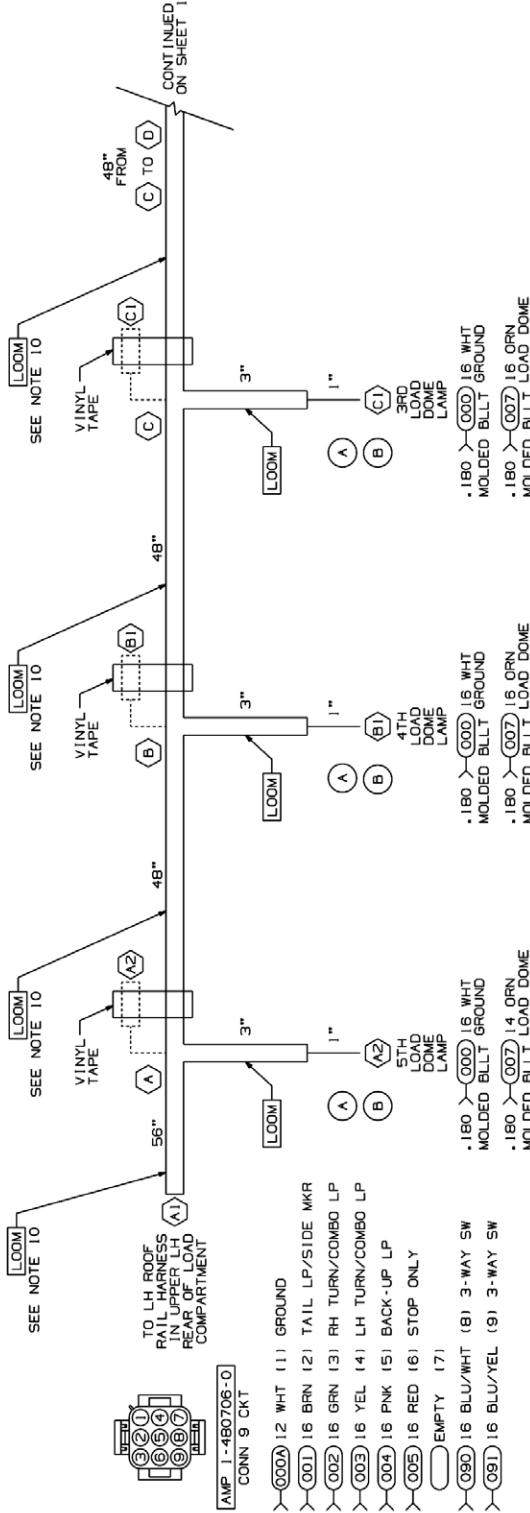
# 093093203 ROOF WIRING 2/2

DRAWING NO.	REV	SHT
093093203	B	2 of 2
DESCRIPTION	REV	DATE
RELEASE TO PRODUCTION	CK	
A REVISED DOME LAMP BREAKOUT LENGTH	LM	2/24/02
B REV'D DM LP B/O'S	DB	2/20/02

SPLICE 1  
 000A 12 WHT IS TO BE SPLICED TO THE 000 WHT CIRCUIT. VENDOR TO DETERMINE LOCATION(S)

CIRCUIT	DESCRIPTION	END POINTS	FUNCTION
000A	12 WHT	A1, G1, G2, SPLICE 1	GROUND
000	14/16 WHT	A2, B1, C1, D1, E1, F1, SPLICE 1	GROUND
001	16 BRN	A1, G2	CLERK/TCC LPS
002	16 GRN	A1, G2	RH TURN LP
003	16 YEL	A1, G2	LH TURN LP
004	16 PNK	A1, G2	BACK-UP LPS
005	16 RED	A1, G2	STOP LPS
006	16 TAN	F1, G2	CAB DOME LP
007	14/16 ORN	A2, B1, C1, D1, E1, G2	LOAD DOME LAMPS
090	16 BLU/WHT	A1, G2	3-WAY SWITCH - LOAD DMS
091	16 BLU/YEL	A1, G2	3-WAY SWITCH - LOAD DMS

10. MAIN TRUNK OF HARNESS MUST FIT IN A .75 DIA. WIRE CHANNEL
9. THIS IS A PURCHASED HARNESS. NO BILL OF MATERIAL EXISTS.
8. VENDOR MAY REPLACE PIGTAILS WITH WIRE APPROVED MOLDINGS OR CONNECTORS. PIGTAILS SHOWN IN TERMINAL VIEW.
7. HARNESS TO BE TESTED FOR CONTENTS, OBSC. SHORTS, AND CONTINUITY.
6. CONNECTORS SHOWN FROM WIRE ENTRY SIDE, UNLESS OTHERWISE NOTED.
5. SPLICES TO BE AUTOMATED WITH HEAT SHRINK TUBING. HEAT SHRINK BUTT SPLICES ARE ACCEPTABLE FOR MFG FABRICATION IF NECESSARY.
4. TAPE (1111098): 6" AT BREAKOUTS AND 2" AT LOOM ENDS.
3. HARNESS TO HAVE A LABEL SHOWING MORGAN OLSON PART NUMBER, REVISION DATE OF MANUFACTURE.
2. SPLIT POLY LOOM UNLESS OTHERWISE NOTED.
1. GAL WIRE.



AMP 1-480706-0  
 CONN 9 CKT

- > (000A) 12 WHT (1) GROUND
- > (001) 16 BRN (2) TAIL LP/SIDE MKR
- > (002) 16 GRN (3) RH TURN/COMBO LP
- > (003) 16 YEL (4) LH TURN/COMBO LP
- > (004) 16 PNK (5) BACK-UP LP
- > (005) 16 RED (6) STOP ONLY
- > ( ) EMPTY (7)
- > (090) 16 BLU/WHT (8) 3-WAY SW
- > (091) 16 BLU/YEL (9) 3-WAY SW

- 180 > (000) 16 WHT MOLDED BLTT GROUND
- 180 > (007) 14 ORN MOLDED BLTT LOAD DOME

- 180 > (000) 16 WHT MOLDED BLTT GROUND
- 180 > (007) 16 ORN MOLDED BLTT LOAD DOME

- 180 > (000) 16 WHT MOLDED BLTT GROUND
- 180 > (007) 16 ORN MOLDED BLTT LOAD DOME

HARNESS AND LOOM TOLERANCES
UP TO 60" = -0/+2"
60" TO 100" = -0/+4"
100" TO 200" = -0/+5"
200" TO 400" = -0/+6"
400" TO 800" = -0/+7"
OVER 800" = -0/+8"
BO TO BO = -0/+2"
TOLERANCE IS NOT ACCUMULATIVE. LENGTH APPLIES TO OVERALL HARNESS LENGTH, BREAKOUT LENGTH, OR LOOM.

PROPRIETARY  
 This drawing is the property of Morgan Olson. It is to be used only for the purpose intended. It is not to be reproduced, stored in a retrieval system, or transmitted in any form or by any means, electronic, mechanical, photocopying, recording, or by any information storage and retrieval system, without the prior written permission of Morgan Olson.



GENERAL STANDARDS UNLESS OTHERWISE NOTED:	
1. HARNESS SHALL BE MADE TO ORDER WITH 10% TOLERANCE.	
2. HARNESS SHALL BE MADE TO ORDER WITH 10% TOLERANCE.	
3. HARNESS SHALL BE MADE TO ORDER WITH 10% TOLERANCE.	
4. HARNESS SHALL BE MADE TO ORDER WITH 10% TOLERANCE.	
DATE 21 APR 09	DATE 21 APR 09
DO NOT SCALE	DO NOT SCALE
HARNESS ROOF 21' x 24' 6"	HARNESS ROOF 21' x 24' 6"
M100 TRUCK .180F BLTT	M100 TRUCK .180F BLTT
DRAWING NO. 093093203	DRAWING NO. 093093203
SHT 2 of 2	SHT 2 of 2
SCALE NONE	SCALE NONE
REV B	REV B

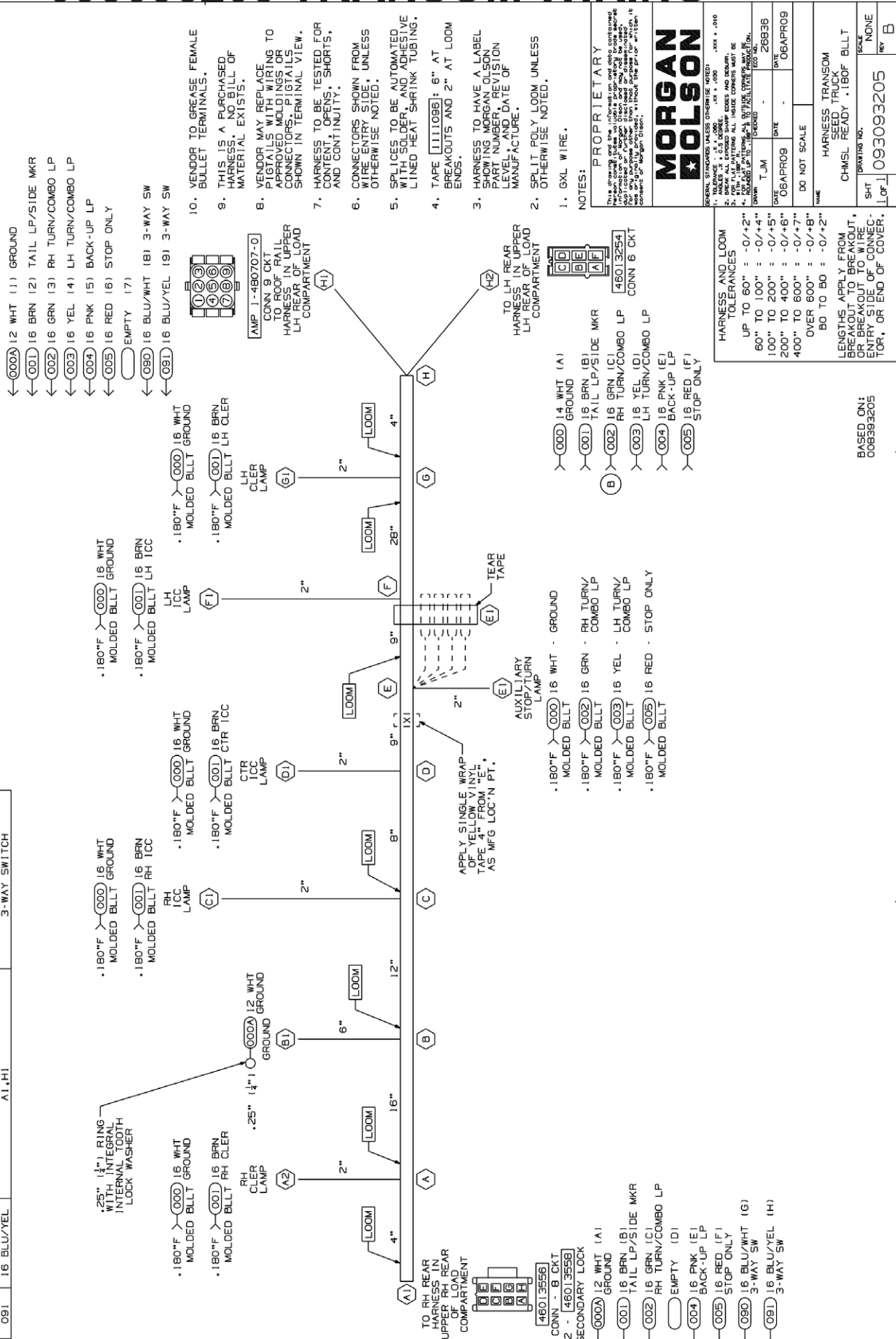
# 093093205 TRANSSOM WIRING

# 093093205 TRANSSOM WIRING

REV.	DESCRIPTION	REV.	SHT
000A	RELEASE TO PRODUCTION	B	1 of 1
A	REDRAWING & REVISED		
B	ADDED SIGNAL 002 TO CONNECTOR AT H2		

REV.	BY	DATE	CHK.
000A			
A			
B			

CIRCUIT DESCRIPTION	END POINTS	FUNCTION
000A	A1, B1, H1, SPLICE 1	GROUND
000	A2, C1, D1, E1, F1, G1, H2, SPLICE 1	GROUND
001	A1, A2, C1, D1, F1, G1, H1, H2	CLERK/1CC/MARKER LAMPS
002	A1, E1, H1, H2	RH TURN/COMBO LP
003	E1, H1, H2	LH TURN/COMBO LP
004	A1, H1, H2	BACK-UP LAMPS
005	A1, E1, H1, H2	STOP ONLY LAMPS
090	A1, H1	3-WAY SWITCH
091	A1, H1	3-WAY SWITCH



DRAWING NO. 093093205		REV. B	SHT 1 of 1
DESCRIPTION		BY	DATE
RELEASE TO PRODUCTION		CHK.	
A REDRAWING & REVISED		DATE	
B ADDED SIGNAL 002 TO CONNECTOR AT H2		DATE	

DO NOT SCALE		DATE	DATE
DATE	DATE	DATE	DATE
DATE	DATE	DATE	DATE
DATE	DATE	DATE	DATE

HARNESSES TO BE TESTED FOR CONTENT, OPENS, SHORTS, AND CONTINUITY.	
CONNECTORS SHOWN FROM WIRE ENTRY SIDES, UNLESS OTHERWISE NOTED.	
SPLICES TO BE AUTOMATED WITH SOLDER, AND ADHESIVE LINED HEAT SHRINK TUBING.	
TAPES [1][1][0][8][5]: 6" AT BREAKOUTS AND 2" AT LOOM ENDS.	
HARNESSES TO HAVE A LABEL SHOWING MORGAN OLSON PART NUMBER, REVISION LEVEL, AND DATE OF MANUFACTURE.	
SPLIT POLY LOOM UNLESS OTHERWISE NOTED.	
GXL WIRE.	

PROPRIETARY	
MORGAN OLSON	
GENERAL STANDARDS UNLESS OTHERWISE NOTED:	
1. WIRE GAUGE: 16 AWG (1.024mm), 18 AWG (1.27mm), 20 AWG (1.016mm)	
2. WIRE COLOR: 16 WHT, 16 BRN, 16 YEL, 16 GRN, 16 RED, 16 BLU/WHIT	
3. WIRE MARKING: 16 WHT, 16 BRN, 16 YEL, 16 GRN, 16 RED, 16 BLU/WHIT	
4. WIRE ENTRY: 16 WHT, 16 BRN, 16 YEL, 16 GRN, 16 RED, 16 BLU/WHIT	

HARNESSES TO BE TESTED FOR CONTENT, OPENS, SHORTS, AND CONTINUITY.	
CONNECTORS SHOWN FROM WIRE ENTRY SIDES, UNLESS OTHERWISE NOTED.	
SPLICES TO BE AUTOMATED WITH SOLDER, AND ADHESIVE LINED HEAT SHRINK TUBING.	
TAPES [1][1][0][8][5]: 6" AT BREAKOUTS AND 2" AT LOOM ENDS.	
HARNESSES TO HAVE A LABEL SHOWING MORGAN OLSON PART NUMBER, REVISION LEVEL, AND DATE OF MANUFACTURE.	
SPLIT POLY LOOM UNLESS OTHERWISE NOTED.	
GXL WIRE.	

HARNESSES TO BE TESTED FOR CONTENT, OPENS, SHORTS, AND CONTINUITY.	
CONNECTORS SHOWN FROM WIRE ENTRY SIDES, UNLESS OTHERWISE NOTED.	
SPLICES TO BE AUTOMATED WITH SOLDER, AND ADHESIVE LINED HEAT SHRINK TUBING.	
TAPES [1][1][0][8][5]: 6" AT BREAKOUTS AND 2" AT LOOM ENDS.	
HARNESSES TO HAVE A LABEL SHOWING MORGAN OLSON PART NUMBER, REVISION LEVEL, AND DATE OF MANUFACTURE.	
SPLIT POLY LOOM UNLESS OTHERWISE NOTED.	
GXL WIRE.	

HARNESSES TO BE TESTED FOR CONTENT, OPENS, SHORTS, AND CONTINUITY.	
CONNECTORS SHOWN FROM WIRE ENTRY SIDES, UNLESS OTHERWISE NOTED.	
SPLICES TO BE AUTOMATED WITH SOLDER, AND ADHESIVE LINED HEAT SHRINK TUBING.	
TAPES [1][1][0][8][5]: 6" AT BREAKOUTS AND 2" AT LOOM ENDS.	
HARNESSES TO HAVE A LABEL SHOWING MORGAN OLSON PART NUMBER, REVISION LEVEL, AND DATE OF MANUFACTURE.	
SPLIT POLY LOOM UNLESS OTHERWISE NOTED.	
GXL WIRE.	

HARNESSES TO BE TESTED FOR CONTENT, OPENS, SHORTS, AND CONTINUITY.	
CONNECTORS SHOWN FROM WIRE ENTRY SIDES, UNLESS OTHERWISE NOTED.	
SPLICES TO BE AUTOMATED WITH SOLDER, AND ADHESIVE LINED HEAT SHRINK TUBING.	
TAPES [1][1][0][8][5]: 6" AT BREAKOUTS AND 2" AT LOOM ENDS.	
HARNESSES TO HAVE A LABEL SHOWING MORGAN OLSON PART NUMBER, REVISION LEVEL, AND DATE OF MANUFACTURE.	
SPLIT POLY LOOM UNLESS OTHERWISE NOTED.	
GXL WIRE.	

HARNESSES TO BE TESTED FOR CONTENT, OPENS, SHORTS, AND CONTINUITY.	
CONNECTORS SHOWN FROM WIRE ENTRY SIDES, UNLESS OTHERWISE NOTED.	
SPLICES TO BE AUTOMATED WITH SOLDER, AND ADHESIVE LINED HEAT SHRINK TUBING.	
TAPES [1][1][0][8][5]: 6" AT BREAKOUTS AND 2" AT LOOM ENDS.	
HARNESSES TO HAVE A LABEL SHOWING MORGAN OLSON PART NUMBER, REVISION LEVEL, AND DATE OF MANUFACTURE.	
SPLIT POLY LOOM UNLESS OTHERWISE NOTED.	
GXL WIRE.	

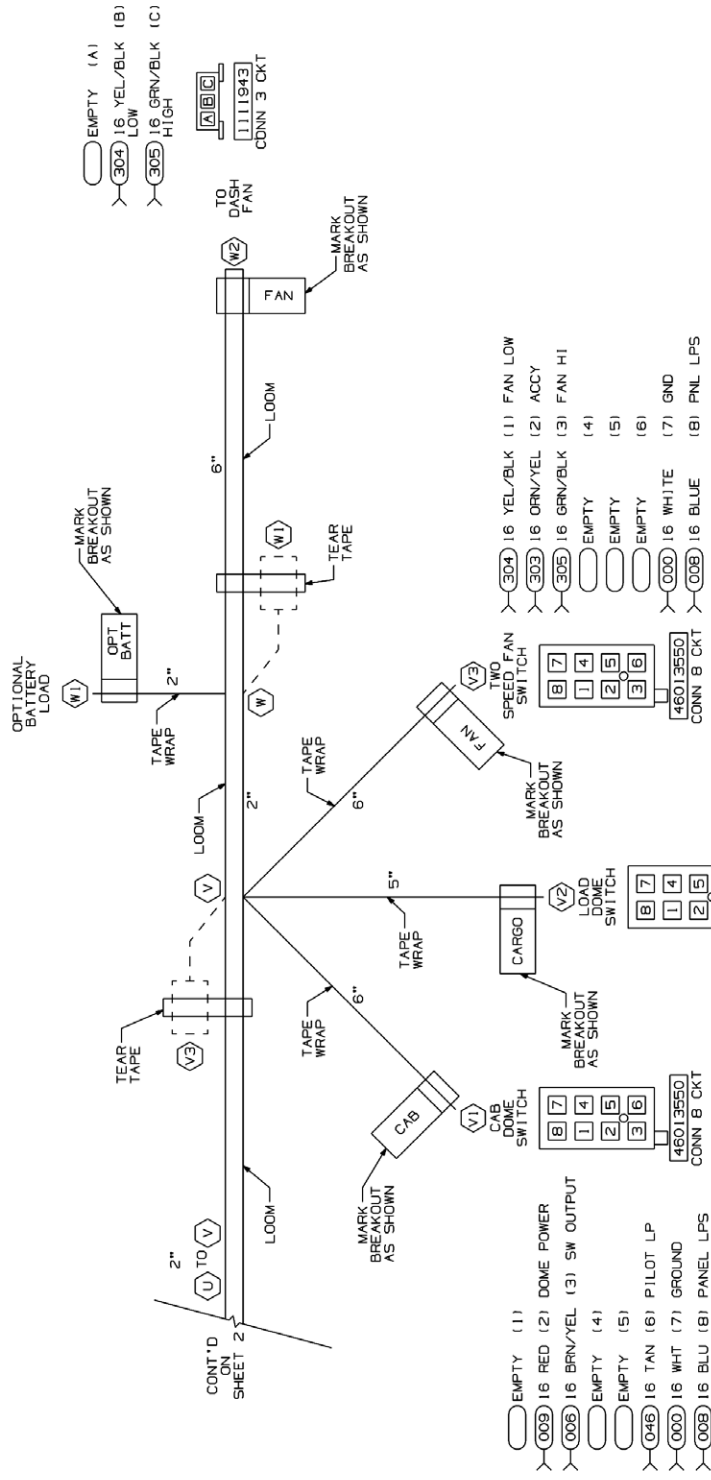
# 098084203 INSTRUMENT PANEL 1/4

DRAWING NO.	REV	SHT
098084203	C	1 of 4
DESCRIPTION	REV	DATE
RELEASE FOR PRODUCTION		
REVISED BETWEEN B/O'S -J- AND -M-	DEF	2010
REV'D B/O -RI-	DEF	
7" WAS 3" SHEET 2	ALL	05/08

VENDOR TO KEEP LOOM SIZE AS SMALL AS POSSIBLE

- > (000) 16 WHT (1) GROUND
- > (008) 16 BLU (2) PNL LPS
- > (204) 14 RED/BLK (3) BATT-AUX
- > (224) 14 RED/GRN (4) OPT. LD

AMP 1-480702-0  
CONN 4 CKT  
USE FEMALE TERMS  
OPTIONAL BATTERY LOAD



- > (060) 16 BLU/WHT (1) 3 WAY SW
- > (117) 16 WHT/RED (2) RLY COIL
- > (082) 16 BLU/YEL (3) 3 WAY SW (FOR GND)
- > ( ) EMPTY (4)
- > ( ) EMPTY (5)
- > (007) 16 GRN (6) LOAD DOME
- > (000) 16 WHT (7) GND
- > (008) 16 BLU (8) PANEL LPS

9. THIS IS A PURCHASED HARNESS. NO BILL OF MATERIAL EXISTS.
8. VENDOR MAY REPLACE PIGTAILS WITH WIRING TO APPROVED MOLDINGS OR CONNECTORS. PIGTAILS SHOWN IN TERMINAL VIEW.
7. HARNESS TO BE TESTED FOR CONTENT, OPENS, SHORTS.
6. CONNECTORS SHOWN FROM THE COUNTRY SIDE, UNLESS OTHERWISE NOTED.
5. SPLICES TO BE AUTOMATED WITH SOLDER, AND ADHESIVE LINED HEAT-SHRINK TUBING.
4. TAPE (1111098): 6" AT BREAKOUTS AND 2" AT LOOM ENDS.
3. HARNESS TO HAVE A LABEL SHOWING MORGAN OLSON PART NUMBER, REVISION LEVEL, AND DATE OF MANUFACTURE.
2. SPLIT POLY LOOM UNLESS OTHERWISE NOTED.
1. GXL WIRE.

NOTES:  
PROPRIETARY  
This document contains information which is the property of Morgan Olson and is not to be distributed outside of Morgan Olson.



GENERAL STANDARDS UNLESS OTHERWISE NOTED:	
1. TOLERANCES - 2.5 A LOOM	1.150 ± .010
2. BREAK ALL EXPOSED SHARP EDGES AND CORNERS.	
3. ALL DIMENSIONS ARE TO CENTER UNLESS OTHERWISE SPECIFIED.	
4. DIMENSIONS UP TO .125 INCHES MAY BE MANUFACTURED TO THE NEAREST .001 INCH.	
DATE	28501
DO NOT SCALE	060C109
NAME	HARN 1/4 FCC 2009 M-100
	2P D/PK INT MPR PRR SW
DRAWING NO.	098084203
SHT	1 of 4
SCALE	NONE
REV	C

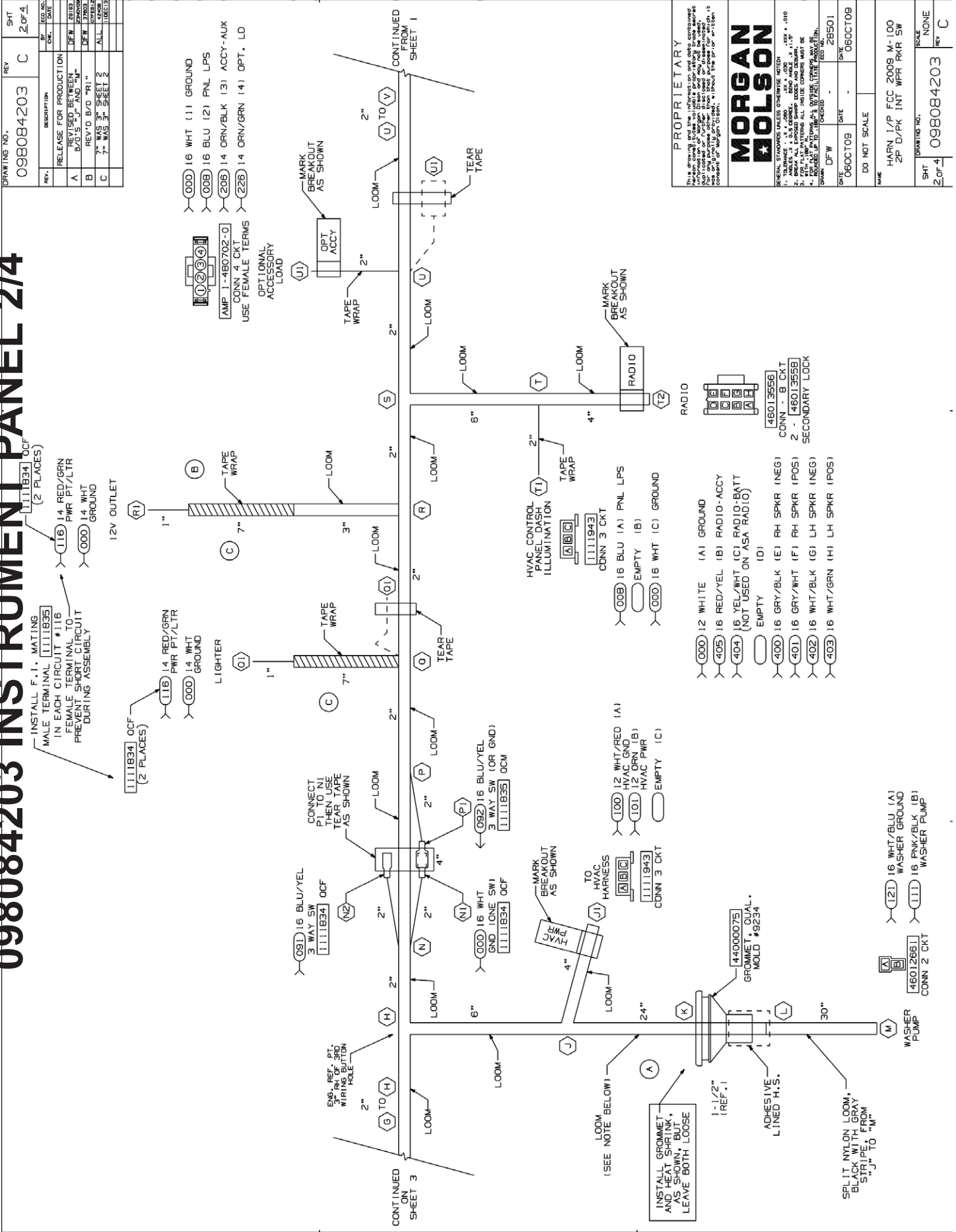
FIRST USE:  
REV 00026  
BASED ON:  
007384210



# 098084203 INSTRUMENT PANEL 2/4

# 098084203 INSTRUMENT PANEL 2/4

DRAWING NO.	REV	SHT
098084203	C	2 OF 4
DESCRIPTION	REV	DATE
RELEASE FOR PRODUCTION	A	2009
REVISED BETWEEN B/O'S "J" AND "M"	B	2010
REV'D B/O "RI"	C	2010
7" WAS 3" SHEET 2		
ALL OTHERS		
FIELD		



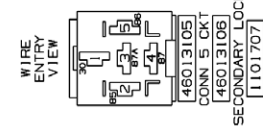
<p><b>PROPRIETARY</b></p> <p>This drawing is the property of Morgan Olson Service Parts. It is to be used only for the production of parts for the equipment it was designed for. No part of this drawing may be reproduced or transmitted in any form or by any means, electronic or mechanical, including photocopying, recording, or by any information storage and retrieval system, without the prior written permission of Morgan Olson Service Parts.</p>	
<p><b>MORGAN OLSON</b></p> <p>GENERAL STANDARDS UNLESS OTHERWISE NOTED</p> <p>1. ANGLES: 45°, 90°, 135°, 225°, 315°</p> <p>2. DIMENSIONS: UNLESS OTHERWISE SPECIFIED, DIMENSIONS SHALL BE IN INCHES AND DECIMALS THEREOF.</p> <p>3. DIMENSIONS: UNLESS OTHERWISE SPECIFIED, DIMENSIONS SHALL BE IN MILLIMETERS AND DECIMALS THEREOF.</p> <p>4. DIMENSIONS: UNLESS OTHERWISE SPECIFIED, DIMENSIONS SHALL BE IN MILLIMETERS AND DECIMALS THEREOF.</p> <p>5. DIMENSIONS: UNLESS OTHERWISE SPECIFIED, DIMENSIONS SHALL BE IN MILLIMETERS AND DECIMALS THEREOF.</p>	
DATE	06080209
DATE	06080209
DO NOT SCALE	
<p>NAME: HARN 1/P FCC 2009 M-100 2P D/PK INT WFR PRR SW</p>	
SHT	2 OF 4
DRAWING NO.	098084203
SCALE	NONE
REV	C

# 098084203 INSTRUMENT PANEL 3/4

# 098084203 INSTRUMENT PANEL 3/4

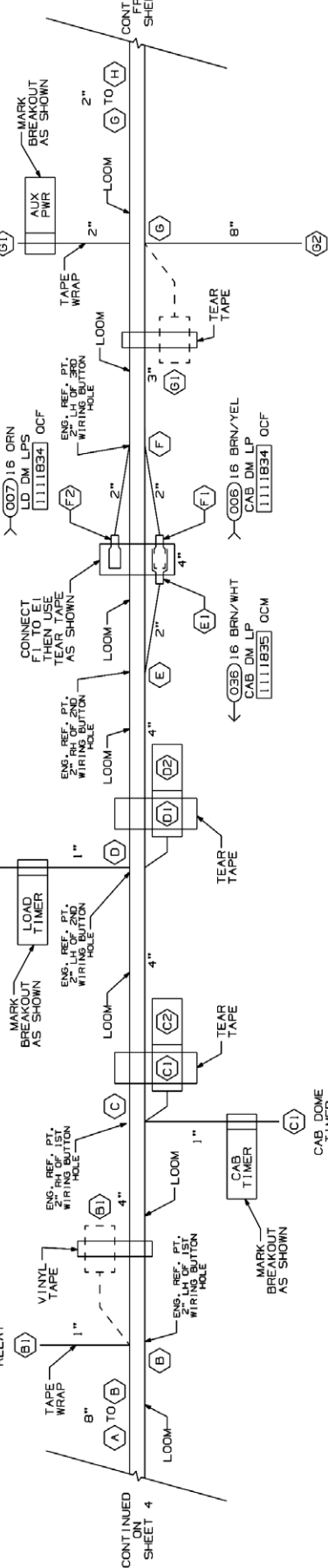
REV.	DESCRIPTION	REV	SHT
098084203	C	3	OF 4
REV.	DESCRIPTION	REV	SHT
A	RELEASE FOR PRODUCTION		
B	B/O 5" LIP AND SW		
C	REV'D B/O "R1"		
D	"R1" WAS 3" SHEET 2		
E	"R1" WAS 3" SHEET 2		
F	"R1" WAS 3" SHEET 2		
G	"R1" WAS 3" SHEET 2		
H	"R1" WAS 3" SHEET 2		

- (009) 12 RED
- (117) 16 WHT/RED (2) RELAY COIL-B5 (1-1)
- (007) 14 ORANGE (4) TO LOAD DM LPS-87
- (122) 16 GRY/WHT (5) RELAY COIL-B6 (1-1)



- (117) 16 WHT/RED (A) GND FROM LOAD DOME SW
- (122) 16 GRY/WHT (B) TO LOAD DM RLY COIL (1-1)
- (118) 16 BLK/RED (C) DOME RLY COIL B\*

- (204) 14 RED/BLK (A) BATTERY-AUX
- (200) 10 WHT/RED (B) GROUND
- (206) 14 ORN/BLK (C) ACCESSORY-AUX



PROPRIETARY

In this drawing and the information and data contained hereon, the name of the organization and the name of the person who prepared this drawing shall be retained for the purpose of identifying the source of the information and data contained hereon.

**MORGAN OLSON**

GENERAL INSTRUCTIONS TO THE USER OF THIS DRAWING  
1. TOLERANCE: UNLESS OTHERWISE SPECIFIED, ALL DIMENSIONS ARE TO BE HUNDRETHS OF AN INCH.  
2. DIMENSIONS ARE TO BE TAKEN FROM THE UNLESS OTHERWISE SPECIFIED.  
3. DIMENSIONS ARE TO BE TAKEN FROM THE UNLESS OTHERWISE SPECIFIED.  
4. DIMENSIONS ARE TO BE TAKEN FROM THE UNLESS OTHERWISE SPECIFIED.  
5. DIMENSIONS ARE TO BE TAKEN FROM THE UNLESS OTHERWISE SPECIFIED.

DATE: 06OCT09  
TIME: HARN 1/P FCC 2009 M-100  
2P D/PK INT WPR RKR SW

REV: 3 OF 4

# 098084203 INSTRUMENT PANEL 4/4

# 098084203 INSTRUMENT PANEL 4/4

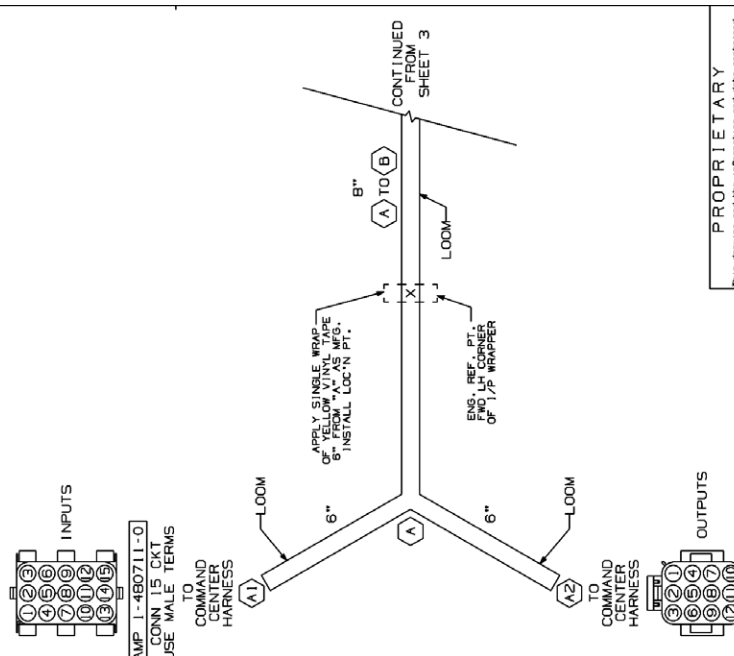
REV.	DESCRIPTION	REV	SHT
098084203	C	4 OF 4	
RELEASE FOR PRODUCTION			
A	REVISED BETWEEN 8/20/93 "J" AND "M"	DFW	2810
B	REV'D B/O "R1"	DFW	27803
C	7" WAS 3" SHEET 2	ALL	42409
	7" WAS 3" SHEET 2	ALL	18021

CIRCUIT	DESCRIPTION	END POINTS	FUNCTION
000	12/14/16 WH	A1,C1,N1,O1,R1,T1,T2,U1,V1,V2,V3,W1	GROUND
006	16 BRN/YEL	F1,V1	CAB DOME LAMP SWITCH OUTPUT
007	14/16 ORN	A2,B1,F2,V2	LOAD DOME LAMP (S)
008	16 BLU	A1,T1,U1,V1,V2,V3,W1	PANEL LAMPS (THRU DIMMER SWITCH)
009	12/16 RED	A1,B1,V1	DOME BATTERY FEED
036	16 BRN/WH	C1,E1	CAB DOME TO TILMER
046	16 TAN	A2,C1,V1	CAB DOME LAMP
090	16 BLU/WH	A1,V2	LOAD DOME LAMPS 3-WAY SWITCH
091	16 BLU/YEL	A1,N2	LOAD DOME LAMPS 3-WAY SWITCH
092	16 BLU/YEL	P1,V2	LOAD DOME LAMPS 3-WAY SWITCH
100	12 WH/RED	A2,V2	ELECTRIC HVAC GROUND
101	12 ORN	A1,J1	ELECTRIC HVAC ACCESSORY POWER
111	16 PNK/BLK	A1,M	WASHER PUMP
116	14 RED/GRN	A1,O1,R1	LIGHTER (BATTERY)
117	16 WH/RED	B1,D1,V2	LOAD DOME LAMPS RELAY COIL GROUND
118	16 BLK/RED	A1,D1	LOAD DOME LAMPS RELAY COIL BATTERY
121	16 WH/BLU	A2,M	WASHER PUMP GROUND
122	16 GRY/WH	G1,G2	GROUND - AUX
200	10 WH/RED	B1,D1	LOAD DOME LAMPS RELAY COIL
204	14 RED/BLK	A1,G1,W1	BATTERY POWER - AUX
206	14 ORN/BLK	A1,G1,U1	ACCESSORY POWER - AUX
224	14 RED/GRN	A2,W1	AUX BATTERY POWER - SWITCHED
226	14 ORN/GRN	A2,U1	AUX ACCESSORY POWER - SWITCHED
303	16 ORN/YEL	A1,V3	FAN SWITCH POWER
304	16 YEL/BLK	A2,V3,W2	DASH FAN LOW
305	16 GRN/BLK	A2,V3,W2	DASH FAN HIGH
**400*	16 GRY/BLK	A2,T2	RH SPEAKER (NEGATIVE)
**401*	16 GRY/WH	A2,T2	RH SPEAKER (POSITIVE)
**402*	16 WH/BLK	A2,T2	LH SPEAKER (NEGATIVE)
**403*	16 WH/GRN	A2,T2	LH SPEAKER (POSITIVE)
404	16 WH/WH	A1,T2	RADIO BATTERY FEED
405	16 RED/YEL	A1,T2	RADIO ACCESSORY FEED
JPR1	16 TAN	C2,C2	CAB DOME JUMPER
JPR2	16 GRY	D2,D2	LOAD DOME JUMPER

- OPTIONAL: CIRCUITS 400 & 401 MAY BE SUPPLIED AS STANDARD SPEAKER "ZIP CORD" PAIRS. CIRCUIT NUMBER AND CONNECTOR INDEXING MUST BE MAINTAINED AS SHOWN.
- OPTIONAL: CIRCUITS 402 & 403 MAY BE SUPPLIED AS STANDARD SPEAKER "ZIP CORD" PAIRS. CIRCUIT NUMBER AND CONNECTOR INDEXING MUST BE MAINTAINED AS SHOWN.

- ← (000) 12 WH/WH (11) BODY GROUND
- ← (008) 16 BLU (2) PANEL LAMPS
- ← (008) 12 RED (3) BATTERY-DOME LPS
- ← (090) 16 BLU/WH (4) 3-WAY SWITCH
- ← (091) 16 BLU/YEL (5) 3-WAY SWITCH
- ← (101) 12 ORN (6) ACCESSORY-HVAC
- ← (111) 16 PNK/BLK (7) WASHER PUMP
- ← (116) 14 RED/GRN (8) BATT-12V OUTLET
- ← (118) 16 BLK/RED (9) DOME RLY COIL B+
- ← (204) 14 RED/BLK (10) BATTERY-AUX
- ← (206) 14 ORN/BLK (11) ACCESSORY-AUX
- ← (303) 16 ORN/YEL (12) ACCESSORY-FAN
- ← (404) 16 YEL/WH (13) BATTERY-RADIO
- ← (405) 16 RED/YEL (14) ACCESSORY-RADIO
- ( ) EMPTY (15)

- > (007) 14 ORN (11) LOAD DOME LAMPS
- > (046) 16 TAN (2) TO CAB DOME LAMPS
- > (121) 16 WH/BLU (3) WASHER GROUND
- > (224) 14 RED/GRN (4) SWITCHED BAT LOAD
- > (226) 14 ORN/GRN (5) SWITCHED ACY LOAD
- > (304) 16 YEL/BLK (6) DASH FAN LOW
- > (305) 16 GRN/BLK (7) DASH FAN HIGH
- > (400) 16 GRY/BLK (8) RH SPEAKER-NEG
- > (401) 16 GRY/WH (9) RH SPEAKER-POS
- > (402) 16 WH/BLK (10) LH SPEAKER-NEG
- > (403) 16 WH/GRN (11) LH SPEAKER-POS
- > (100) 12 WH/RED (12) HVAC GROUND



**PROPRIETARY**  
This drawing and the information used herein are the property of Morgan Olson. No part of this drawing may be reproduced or transmitted in any form or by any means, electronic or mechanical, including photocopying, recording, or by any information storage and retrieval system, without the prior written consent of Morgan Olson.

**MORGAN OLSON**

**SMALL STANDARD MACHINES OTHERWISE NOTED**  
1. TOLERANCE: ±.000 UNLESS OTHERWISE SPECIFIED  
2. DIMENSIONS ARE IN INCHES UNLESS OTHERWISE SPECIFIED  
3. FITS: UNLESS OTHERWISE SPECIFIED ALL FITS ARE H2/D2 UNLESS OTHERWISE SPECIFIED  
4. DIMENSIONS TO CENTER UNLESS OTHERWISE SPECIFIED

DATE: 060CT09  
DESIGNED BY: DFW  
CHECKED BY: [ ]  
DATE: 060CT09

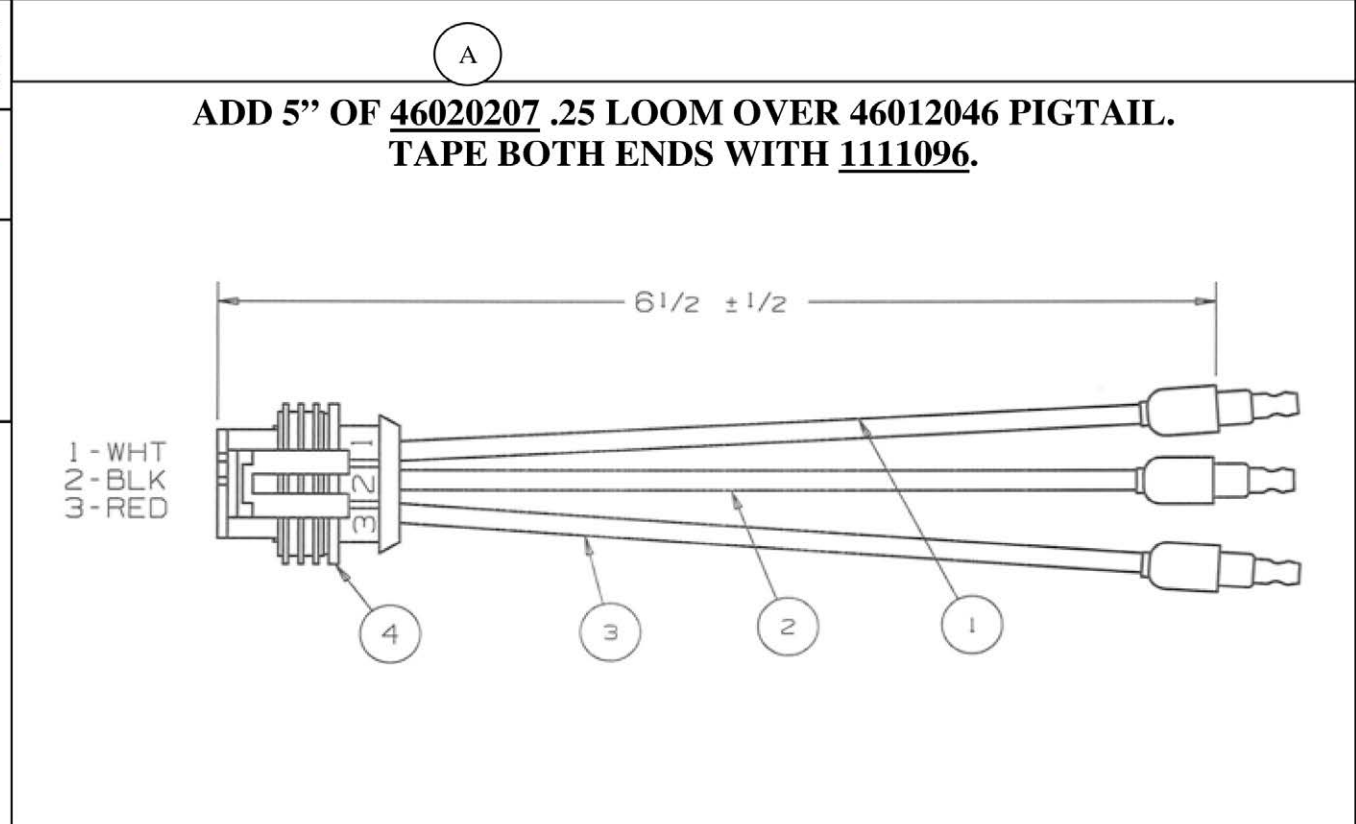
DO NOT SCALE

NAME: HARN 1/P FCC 2009 M-100  
2P D/PK INT WPR RKR SW

SHT: 4 OF 4  
DRAWING NO.: 098084203  
REV: C

# 100081201 REAR LAMPS

SHT 1 of 1  
 REV A  
 Drawing No. 100081201



**DIGITAL PHOTO DRAWING**



GENERAL STANDARDS UNLESS OTHERWISE NOTED:

1. TOLERANCE- .X ± .060 .XX ± .030 .XXX ± .010
- ANGLES- .X ± .5 DEGREES
2. BREAK ALL EXPOSED SHARP EDGES AND DEBURR.
3. FOR FLAT PATTERNS ALL INSIDE CORNERS MUST BE WITH .188" R.
4. FOR FLAT PATTERNS ALL OUTSIDE CORNERS MAY BE ROUNDED UP TO .188" R TO FACILITATE PRODUCTION.

**100081201 REAR LAMPS**

A	LOOM 46020207 WAS 46020201	MTS	43454	DATE	6/10/14
REV	DESCRIPTION	BY	REL.NO.	DO NOT SCALE	
		CHK.	DATE	NAME	
<b>PROPRIETARY</b>					
This drawing and the information and data contained hereon constitutes valuable proprietary trade secret information of Morgan Olson Corp. and may not be used, duplicated or further disclosed or disseminated for any purpose other than that purpose for which it was originally provided, without the prior written consent of Morgan Olson Corp.					

DRAWN	CHECKED	RELEASE NO.
TJM		31075
DATE	DATE	DATE
12MAY10		12MAY10
<b>HARN A S/T/T WITH LOOM (LOOM OVER 46012046)</b>		
SHT	DRAWING NO.	SCALE
1 of 1	100081201	NONE
		REV
		A

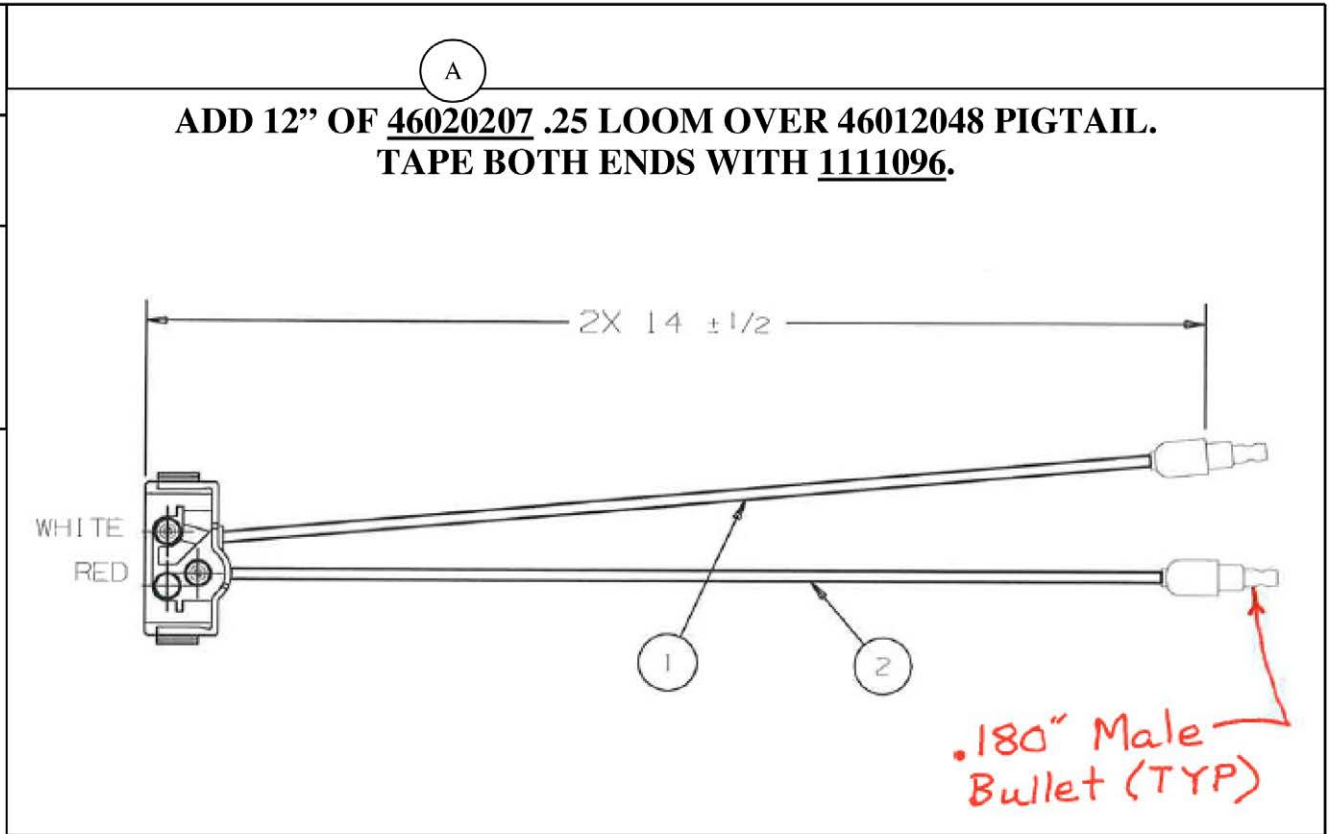
# 100081202 BACK UP LAMP

100081202 BACK UP LAMP

SHT  
1 of 1

REV  
A

Drawing No.  
100081202



DIGITAL PHOTO DRAWING



- GENERAL STANDARDS UNLESS OTHERWISE NOTED:
1. TOLERANCE- .X ± .060 .XX ± .030 .XXX ± .010
  - ANGLES- .X ± .5 DEGREES
  2. BREAK ALL EXPOSED SHARP EDGES AND DEBURR.
  3. FOR FLAT PATTERNS ALL INSIDE CORNERS MUST BE WITH .188" R.
  4. FOR FLAT PATTERNS ALL OUTSIDE CORNERS MAY BE ROUNDED UP TO .188" R TO FACILITATE PRODUCTION.

A	LOOM 46020207 WAS 46020201	MTS	43454	DATE	12MAY10
			6/10/14	DATE	12MAY10
REV	DESCRIPTION	BY	RELNO.	DO NOT SCALE	
		CHK.	DATE	NAME	

**PROPRIETARY**

This drawing and the information and data contained hereon constitutes valuable proprietary trade secret information of Morgan Olson Corp. and may not be used, duplicated or further disclosed or disseminated for any purpose other than that purpose for which it was originally provided, without the prior written consent of Morgan Olson Corp.

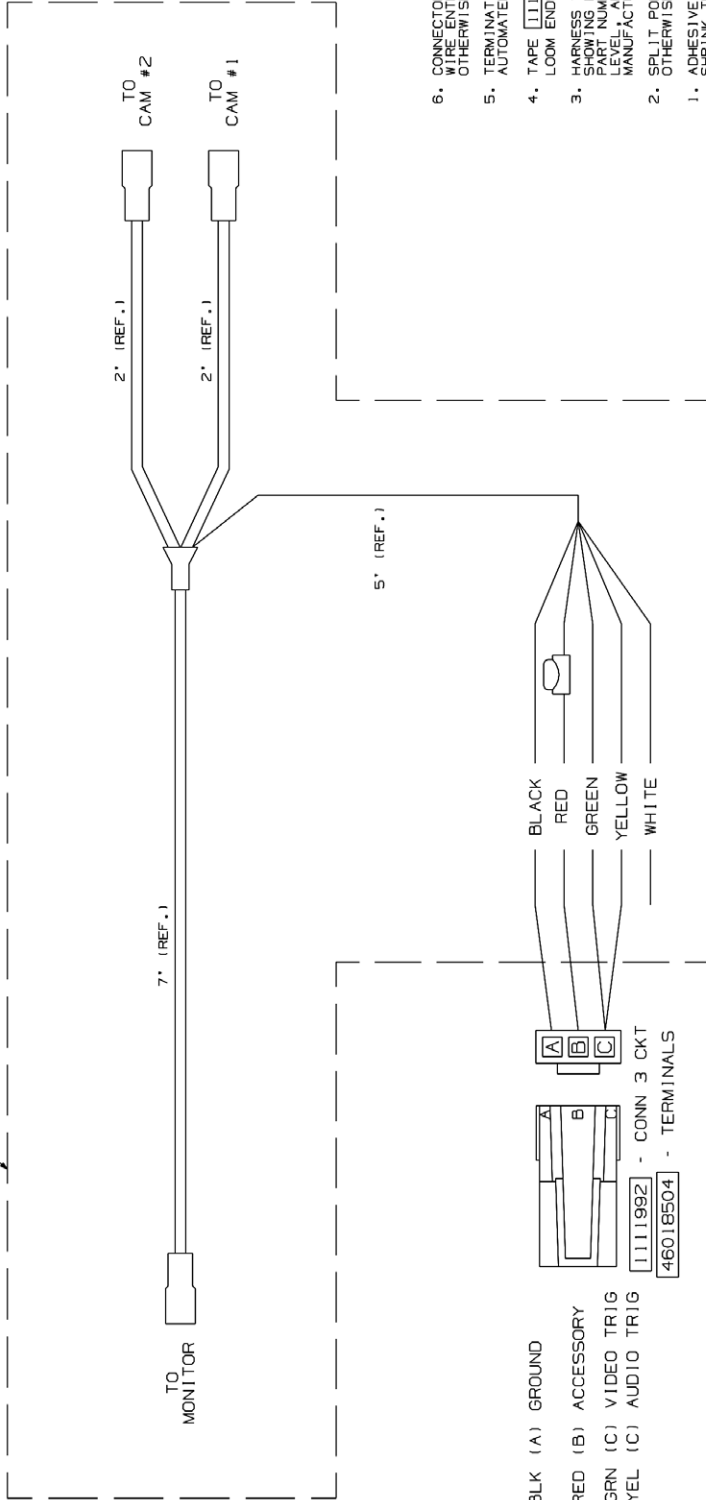
DRAWN TJM	CHECKED	RELEASE NO. 31075
DATE 12MAY10	DATE	DATE 12MAY10
HARN A B/U WITH LOOM (LOOM OVER 46012048)		
SHT 1 of 1	DRAWING NO. 100081202	SCALE NONE
		REV A

# 110094201 MOD SV LCD

# 110094201 MOD SV LCD

DRAWING NO.	REV	SHT
110094201		1 OF 1
REV.	DESCRIPTION	BY
	RELEASE TO PRODUCTION	CHK.
		DATE

SUBJECT MATTER SHOWN WITHIN DOTTED LINES COMPRISES THE INTERFACE CABLE ASSEMBLY SUPPLIED WITHIN THE #48200107 MONITOR KIT



- 6. CONNECTORS SHOWN FROM WIRE ENTRY SIDE, UNLESS OTHERWISE NOTED.
- 5. TERMINATIONS TO BE AUTOMATED.
- 4. TAPE [1111096]: 2" AT LOOM ENDS.
- 3. HARNESS TO HAVE A LABEL SHOWING MORGAN OLSON PART NUMBER, REVISION LEVEL, AND DATE OF MANUFACTURE.
- 2. SPLIT POLY LOOM UNLESS OTHERWISE NOTED.
- 1. ADHESIVE LINED HEAT SHRINK TUBING.

THIS CONNECTOR WILL MATE TO THE M-100 ROOF NOSE HARNESS

1. INSULATE BLUNT CUT END OF WHITE POWER LEAD, USING #46032502 HEAT SHRINK TUBING.
2. TERMINATE THE REMAINING COLORED POWER LEADS, AND POPULATE INTO CONNECTOR BODY AS SHOWN.
3. COVER POWER LEADS WITH #46020200 LOOM, TAPE ENDS AND ELSEWHERE AS NECESSARY, TO CLOSE LOOM.
4. COVER MONITOR LEAD WITH #46020201 LOOM, TAPE ENDS AND ELSEWHERE AS NECESSARY, TO CLOSE LOOM.
5. COVER CAMERA #1 LEAD WITH #46020201 LOOM AND TAPE ENDS.
6. FOLD BACK, AND SECURE CAMERA #2 LEAD TO MONITOR LEAD, USING #46026310 TYWRAPS.

HARNESS AND LOOM TOLERANCES

UP TO 60"	: -0/+2"
60" TO 100"	: -0/+4"
100" TO 200"	: -0/+5"
200" TO 400"	: -0/+6"
400" TO 600"	: -0/+7"
OVER 600"	: -0/+8"
BO TO BO	: -0/+2"

TOLERANCE IS NOT ACCUMULATIVE. LENGTH APPLIES TO OVERALL HARNESS LENGTH, BREAKOUT TO END, OR LOOM.

FIRST USE: CABLES BASED ON: 097094203

PROPRIETARY  
This drawing and the information and data contained hereon are the property of Morgan Olson and may be used, copied, or reproduced in any form without the written consent of Morgan Olson.

**MORGAN OLSON**

GENERAL SERVICES (A/E/C) DIVISION  
1. TOLERANCE: ±.0005  
2. DIMENSIONS: ALL UNLESS OTHERWISE SPECIFIED  
3. DIMENSIONS: ALL UNLESS OTHERWISE SPECIFIED  
4. DIMENSIONS: ALL UNLESS OTHERWISE SPECIFIED  
5. DIMENSIONS: ALL UNLESS OTHERWISE SPECIFIED  
6. DIMENSIONS: ALL UNLESS OTHERWISE SPECIFIED

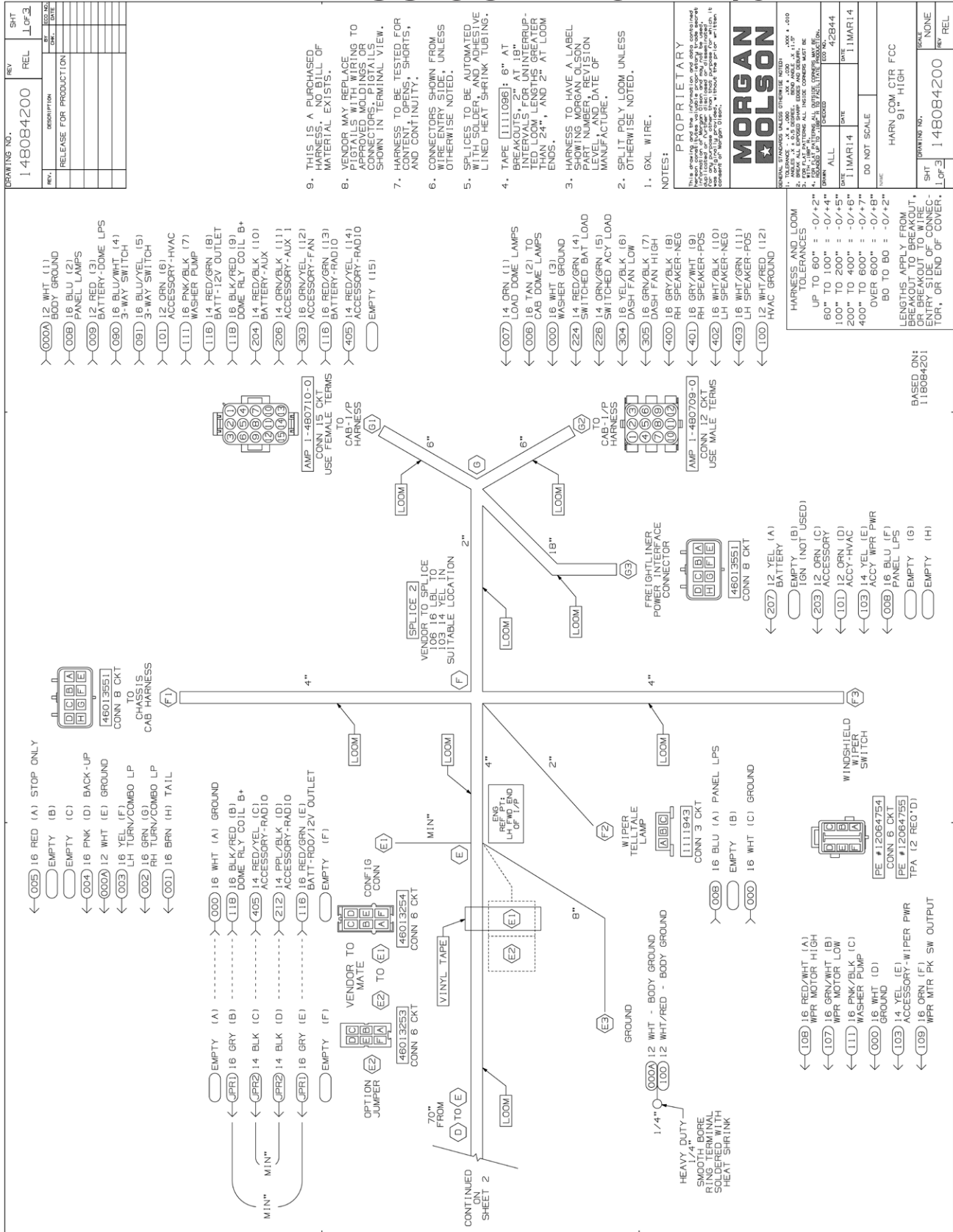
DATE: 29DEC09  
DRAWN BY: [Redacted]  
CHECKED BY: [Redacted]  
DATE: 29DEC09  
DO NOT SCALE: M-100

HARN MOD SV LCD MON  
W/INTGR CTLS 2011

SHT: 1 OF 1  
SCALE: NONE  
REV: 110094201

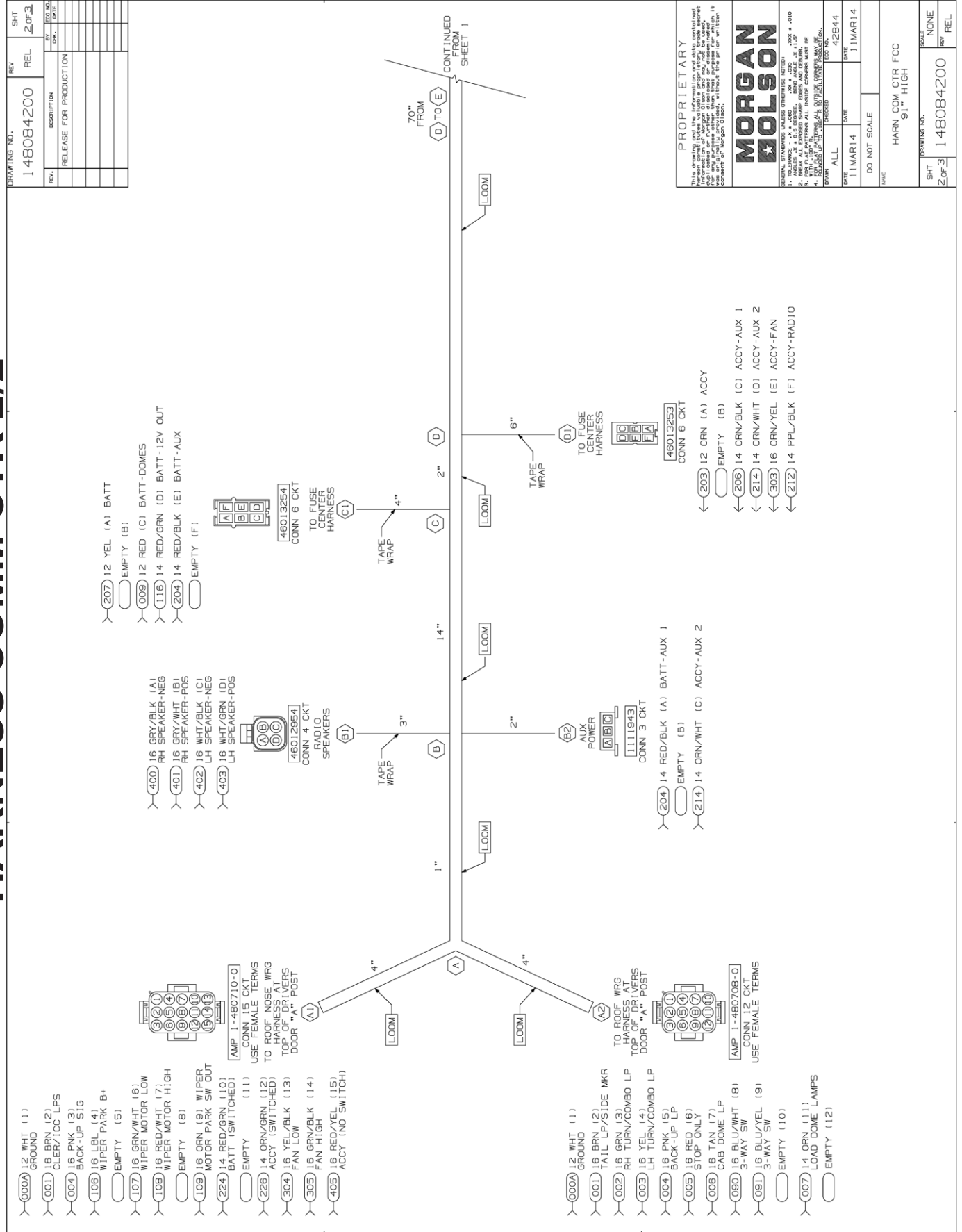
# HARNES COMM CTR 1/3

# HARNES COMM CTR 1/3



# HARNES COMM CTR 2/2

# HARNES COMM CTR 2/2



<b>PROPRIETARY</b>	
This drawing is the property of Morgan Olson Service Parts and is to be used only for the purpose for which it was created. It is not to be reproduced, stored in a retrieval system, or transmitted in any form or by any means, electronic, mechanical, photocopying, recording, or by any information storage and retrieval system, without the prior written consent of Morgan Olson.	
<b>MORGAN OLSON</b>	
ORGANIZATION: MORGAN OLSON SERVICE PARTS DRAWING NO.: 148084200 TITLE: HARNES COMM CTR 2/2 DATE: 11MAR14 DESIGNED BY: JAR CHECKED BY: JAR DRAWN BY: JAR	

REV	DESCRIPTION	BY	CHK.	DATE
	RELEASE FOR PRODUCTION			

HARN COM CTR FCC 91" HIGH	
DO NOT SCALE	DATE: 11MAR14
	DATE: 11MAR14

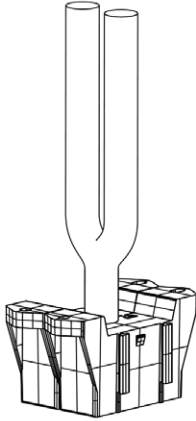
SHT 2 OF 3	SCALE NONE
DRAWING NO. 148084200	REV REL



# 098084202 FUSE CENTER

# 098084202 FUSE CENTER

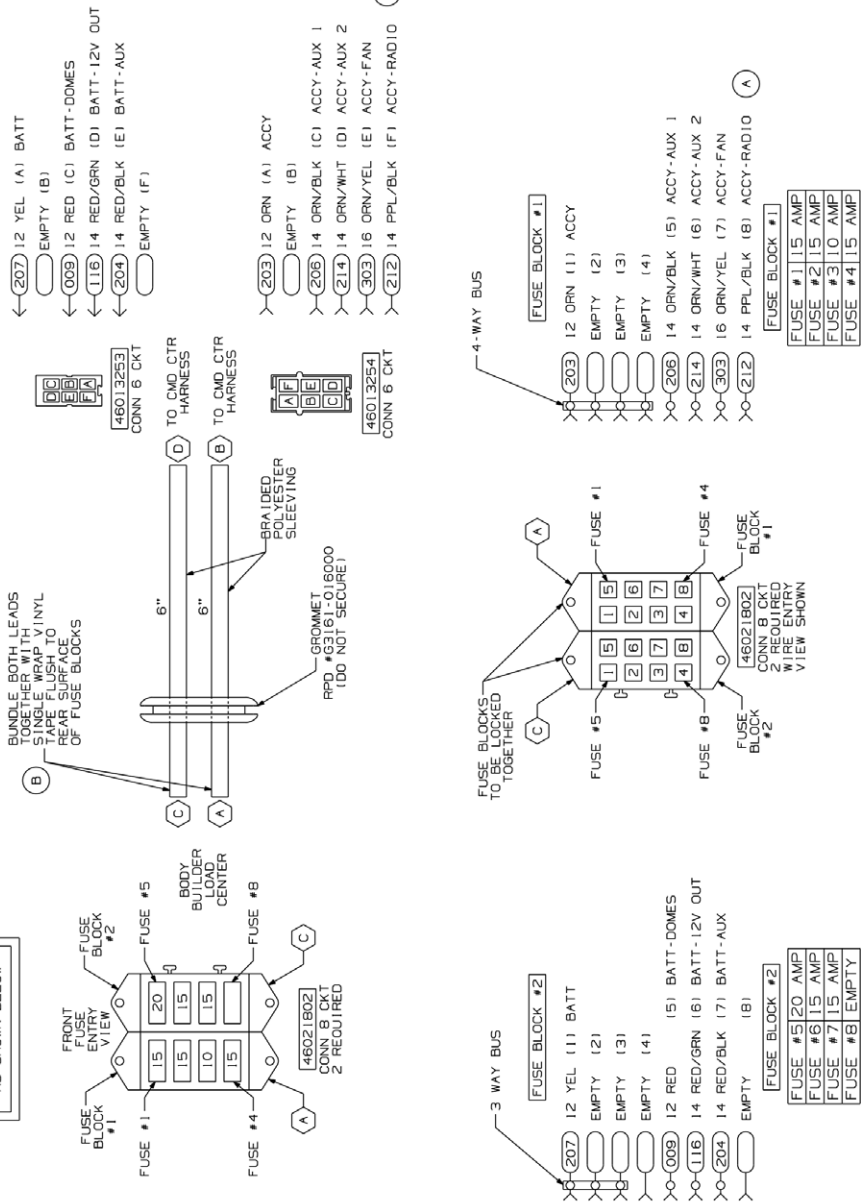
DRAWING NO.	REV	SHT
098084202	B	1 of 1
DESCRIPTION		
REV.	BY	DATE
A	CIR 212 14 PPL/BLK	DEW 3/17/14
B	WAS TO PER/WHIT	DEW 3/18/14
	WAS LABEL/212	DEW 3/18/14



LAY OF WIRE TO BE SUCH THAT WIRING EXTENDS STRAIGHT OUT FROM BEHIND CENTER OF FUSE BLOCK ASSEMBLY, AS SHOWN

CIRCUIT	DESCRIPTION	END POINTS	FUNCTION
009	12 RED	C,D	BATT-DOMES
116	14 RED/GRN	C,D	BATT-12V OUT
203	12 ORN	A,B	ACCY
204	14 RED/BLK	C,D	BATT-AUX
206	14 ORN/BLK	A,B	ACCY-AUX 1
207	12 YEL	C,D	BATT
212	14 PPL/BLK	A,B	ACCY-RADIO
214	14 ORN/WHIT	A,B	ACCY-AUX 2
303	16 ORN/YEL	A,B	ACCY-FAN

NOTE: FUSES AND FUSEBLOCKS MUST BE ORIENTED AS SHOWN BELOW



- THIS IS A PURCHASED HARNESS. NO DETAIL OF MATERIAL EXISTS.
- BRAIDED POLYESTER SLEEVING TO BE CLOSED AT BOTH ENDS WITH WIRING TO SHRINK TUBING, AND TAPED [1111096] 6" AT BREAKOUTS.
- VENDOR MAY REPLACE PIGTAILS WITH WIRING TO SHRINK TUBING, AND TAPED CONNECTORS PIGTAILS SHOWN IN TERMINAL VIEW.
- HARNESS TO BE TESTED FOR CONTINUITY, SHORTS, AND CONTINUITY.
- CONNECTORS SHOWN FROM OTHER SIDE, UNLESS OTHERWISE NOTED.
- SPLICES TO BE AUTOMATED WITH SOLDER, AND ADHESIVE LINED HEAT SHRINK TUBING.
- TAPE [1111096] 6" AT BREAKOUTS AND 2" AT LOOM ENDS.
- HARNESS TO HAVE A LABEL MORGAN OLSON PART NUMBER, REVISION LEVEL, AND DATE OF MANUFACTURE.
- SPLIT POLY LOOM UNLESS OTHERWISE NOTED.
- GXL WIRE.

NOTES:

PROPRIETARY  
This document contains information that is the property of Morgan Olson Service Parts. It is to be used only for the purpose of manufacturing and repair. It is not to be distributed, copied, or otherwise used without the written consent of Morgan Olson Service Parts.

**MORGAN OLSON**

DATE	BY	REV
08SEP09	JM	1
DO NOT SCALE	DATE	SCALE
RSK - 2009	08SEP09	NONE
HARN FUSE CTR FCC		
2009 M-100		
DRAWING NO.	SCALE	REV
098084202		B

HARNES AND LOOM TOLERANCES
UP TO 60" : -0/+2"
60" TO 100" : -0/+4"
100" TO 200" : -0/+5"
200" TO 400" : -0/+6"
400" TO 600" : -0/+7"
OVER 600" : -0/+8"
BO TO BO : -0/+2"
LEWISINS APPL Y FROM BREAKOUT TO BREAKOUT OR BREAKOUT TO WIRE ENTRY SIDE OF CONNECTOR, OR END OF COVER.