



# W.B. MASON

FOR OFFICE SUPPLIES, FURNITURE & PRINTING

2014 Parts Catalog



Morgan Olson Body 2013 2014  
Freightliner Chassis MT55

91h x 93w x 218  
Ryder Unit Numbers  
518669 & 518670



1.800.233.4823

WWW.MORGANOLSON.COM

INTRODUCTION	3
CAB	4
WINDSHIELD	5
INSTRUMENT PANEL	6
HOOD	7-8
STEPS	9
SEATS	10
FLOOR	11
SIDES	12-13
STIFFENERS	14
ROOF	15
BACK	16
BULKHEAD	17
SIDE DOORS	18
SIDE DOOR POCKETS	19-20
REAR DOOR (ROLL UP DOOR)	21-24
SHELVES	25
BUMPERS	26
MIRRORS & WINDSHIELD WIPER ASSEMBLY	27
HEATER	28-29
ELECTRICAL	30-31
MISCELLANEOUS	32-33
WIRING DIAGRAMS	34-57

This parts guide contains illustrations and part numbers for W.B. Mason Package Cars, RYDER Unit Numbers 518669 and 518670 applies to bill of material # JV000767, JV000912 produced in 2014.

This book has been divided into chapters.

Each chapter has illustrations with part numbers and descriptions.

Each part is pointed out to help identify it. Orientation references are from the rear of the vehicle facing forward. LH (LEFT HAND) is roadside and RH (RIGHT HAND) is curbside.

#### Procedure to Order Parts

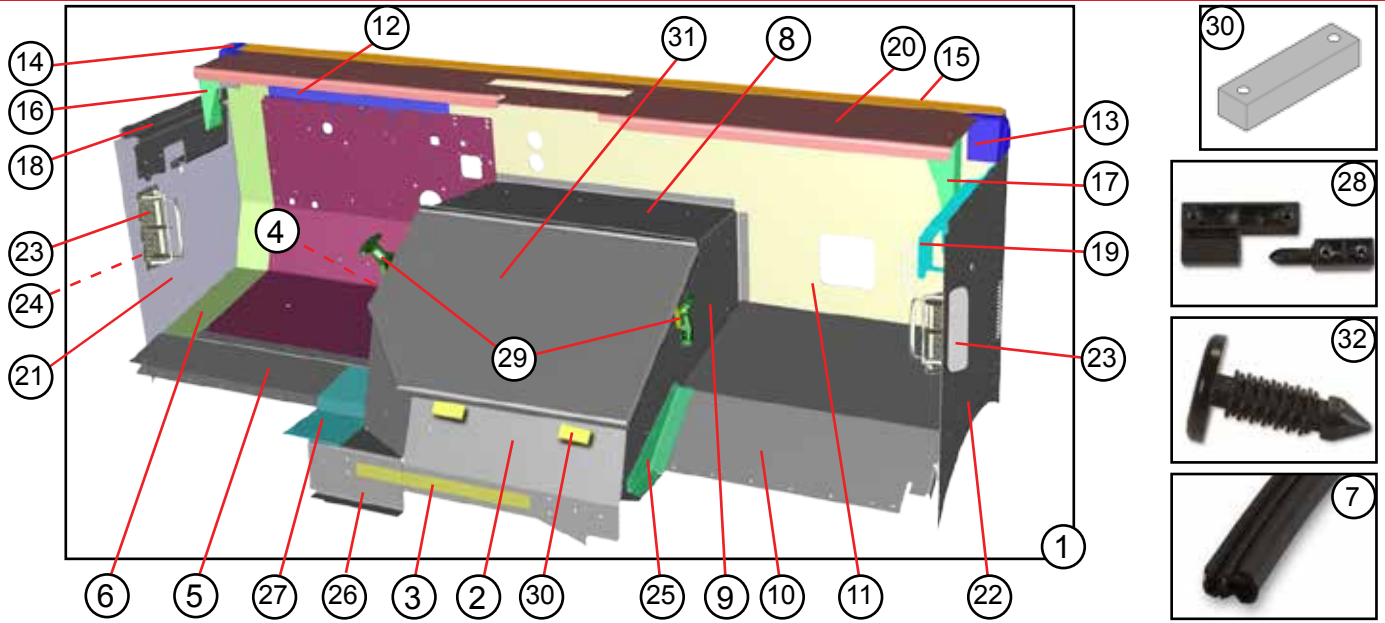
1. Depending on the part desired, turn to the appropriate section.
2. Locate the desired part on the Illustration Page(s) and note it's part number.
3. Contact a Morgan Olson Service Parts Representative. Have part numbers readily available.
4. When placing orders, please have VIN number, part numbers, serial number of roll up door.

FOR WARRANTY INFORMATION CALL 1-800-262-3437

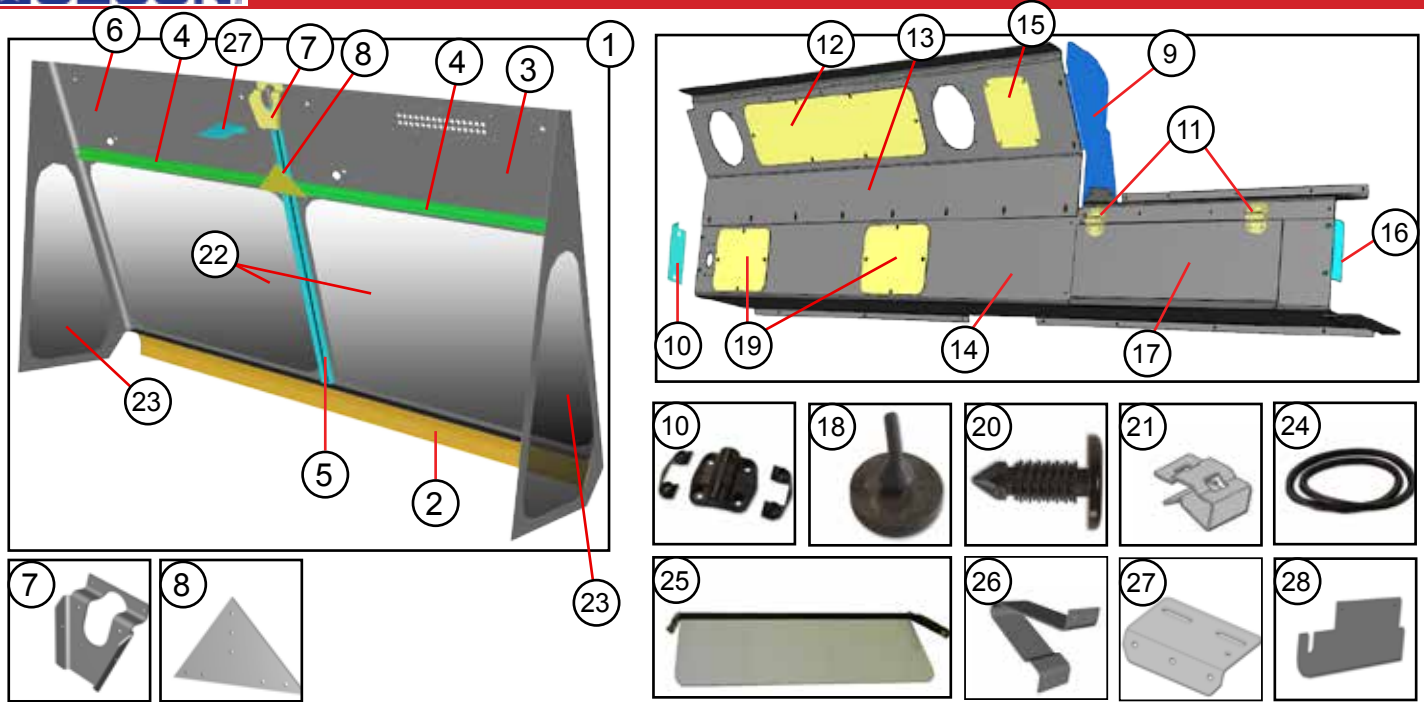
ANY QUESTIONS OR CONCERNS SHOULD BE DIRECTED TO YOUR SERVICE  
PARTS REPRESENTATIVE AT  
1-800-233-4823

At Morgan Olson, our quest for quality and safety is ongoing and therefore the specifications on the product described herein may vary over time.

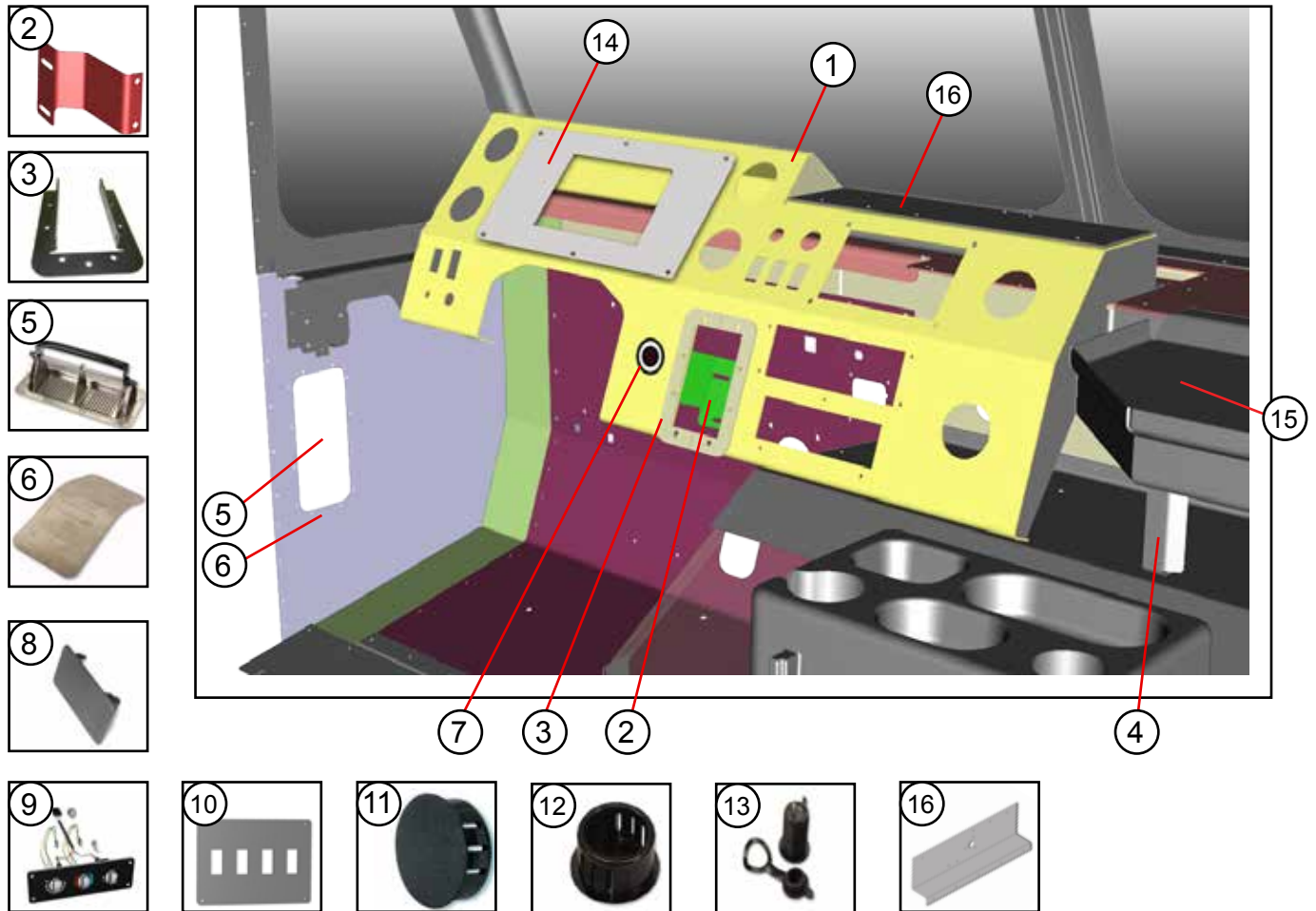
Please contact Morgan Olson for the latest product information and available safety feature options.



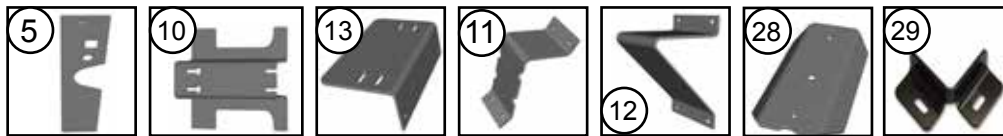
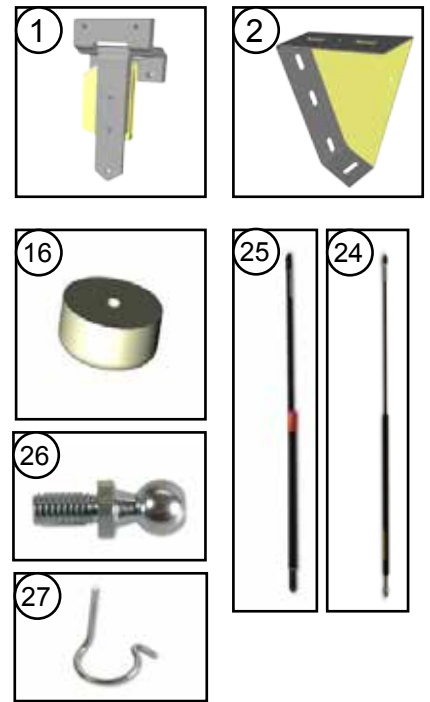
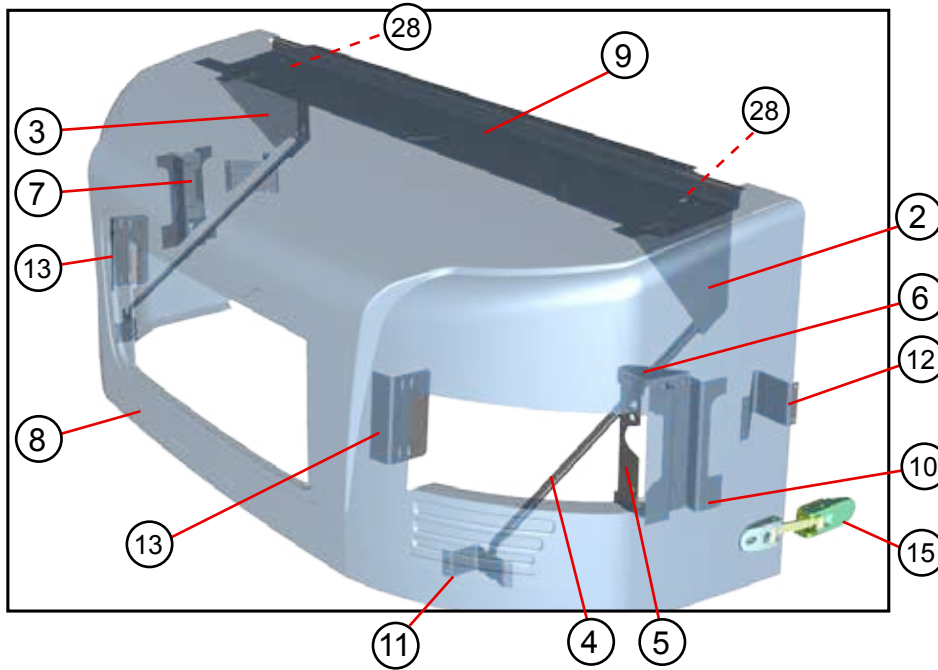
ITEM #	PART #	DESCRIPTION	QTY.	UNIT
1	138005200	CAB ASSEMBLY	1	EA
2	098005502	ENGINE BOX SADDLE	1	EA
3	077050402	SHIM	1	EA
4	098005503	ENGINE BOX SIDE ROADSIDE	1	EA
5	077050423	TOE BOARD ROADSIDE	1	EA
6	077050419	TOE BOARD DASH ROADSIDE	1	EA
7	1107270	SEAL TR SCHLEG1426-X999	8	FT
8	098005400	ENGINE BOX TOP	1	EA
9	098005501	ENGINE BOX HOUSING	1	EA
10	098005462	DASH PANEL	1	EA
11	098005472	DASH WALL CURBSIDE	1	EA
12	077050408	DASH WALL ROADSIDE	1	EA
13	8502001	CORNER CASTING CURBSIDE	1	EA
14	8502000	CORNER CASTING ROADSIDE	1	EA
15	083023402	WINDSHIELD RAIL	1	EA
16	083005418	SUPPORT RAIL ROADSIDE	1	EA
17	083005419	SUPPORT RAIL CURBSIDE	1	EA
18	077050400	STIFFENER ROADSIDE	1	EA
19	077050401	STIFFENER CURBSIDE	1	EA
20	093005512	DASH SHELF	1	EA
21	093005421	CAB SKIRT ROADSIDE	1	EA
22	135005400	CAB SKIRT CURBSIDE	1	EA
23	47008545	VENT 2 WAY HINGLESS	2	EA
24	47008548	VENT GASKET	2	EA
25	077050406	GUSSET TOE BOARD CURBSIDE	1	EA
26	077050411	FILLER SADDLE	1	EA
27	077050446	HEEL SCUFF PLATE	1	EA
28	47007859	HINGE OFFSET	2	EA
29	1113336	LATCH	2	EA
30	117028400	SHIM ENGINE BOX	2	EA
31	098028402	LID ENGINE BOX	1	EA
32	47006630	CLIP PLASTIC ROUND/HEAD 1.32-1.34	27	EA



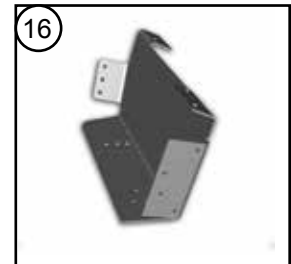
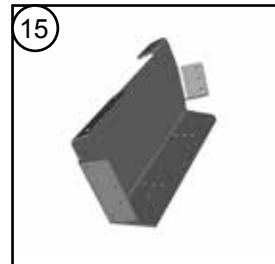
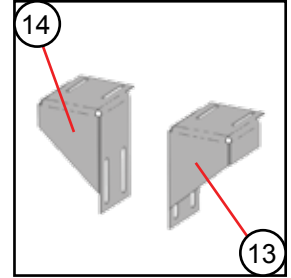
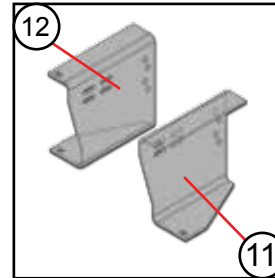
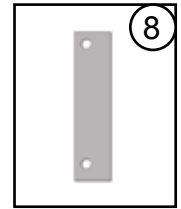
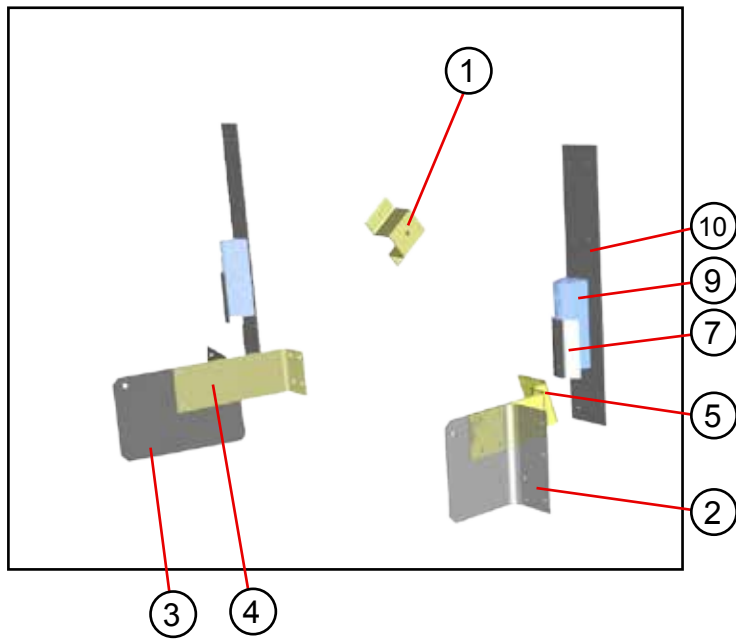
ITEM #	PART #	DESCRIPTION	QTY.	UNIT
1	148055200	WINDSHIELD ASSEMBLY 85H93W NO VENT	1	EA
2	083023402	WINDSHIELD RAIL (SEE PAGE 4 ITEM 15 )	1	EA
3	148055400	FRAME W/S AL .102X53.45X70.25 CURBSIDE	1	EA
4	077055404	STIFFENER W/S AL 450540X44.25	2	EA
5	148055402	POST W/S CENTER AL 450540X44.84	1	EA
6	148055401	FRAME WINDSHEILD ROADSIDE	1	EA
7	077055402	GUSSET FRAME W/S AL .125X6.49X7.27	1	EA
8	998555329	GUSSET FRAME W/S AL .125X4.6X9.19	1	EA
9	148076405	COVER WIPER END AL.102X13X26.28	1	EA
10	088076449	BRACKET, MOUNTING AL.102X2.36X3.9 LH	1	EA
11	47007888	HINGE	2	EA
12	097076435	PLATE COVER ACC AL.070X6X28.38	1	EA
13	148076404	COVER MOTOR WIPER AL.102X19.96X59.84	1	EA
14	148076401	SHELF LOWER WRP AL.102X18.85X87.9	1	EA
15	097076437	PLATE COVER ACC AL.070X5.75X5.75	1	EA
16	088076450	BRACKET MOUNTING AL .102X2.36X3.9 RH	1	EA
17	088076447	COVER DOOR COMPARTMENT AL .102X6.31X23	1	EA
18	1107102	PLUG BPR D/R	2	EA
19	097076436	PLATE COVER ACC AL.070X6X10	2	EA
20	47006610	CLIP PUSH IN .45HEADX.64	52	EA
21	46021115	CLIP LARGE BODY PAN	1	EA
22	96756400	GLASS WINDSHIELD	2	EA
23	148056400	GLASS SIDE TRIANGLE	2	EA
24	44004303	WEATHER STRIPPING LS-1660 X147.5	2	EA
24	44004308	WEATHER STRIPPING LS-1660 X87	2	EA
25	47005504	SUN VISOR	2	EA
26	090061400	BRACKET SUN VISOR CURBSIDE	1	EA
27	083055454	BRACKET WIPER MOTOR AL.102X4.5X4.64	1	EA
28	097076493	PANEL END COMPARTMENT AL.102X3.79X9.51	1	EA
NS	118011402	LINER ROOF CAB 452100X37.12X86.75	1	EA
NS	100011400	POLYESTER FILL ROOF LINER 4X22.5	1	EA



ITEM #	PART #	DESCRIPTION	QTY.	UNIT
1	088027200	INSTRUMENT PANEL WELDMENT	1	EA
2	107027403	BRACE I/P	1	EA
3	002027423	BRACKET SHIFTER	2	EA
4	093027402	BRACKET STIFFENER	1	EA
5	47008545	VENT 2 WAY HINGLESS	1	EA
6	47008548	GASKET VENT	1	EA
7	006327202	SPACER IGNITION SWITCH	1	EA
8	46023506	PLUG HL ROCKER SWITCH BLACK	3	EA
9	555001413	PANEL CONTROL HVAC	1	EA
10	098027405	PLATE COVER INSTRUMENT PANEL	1	EA
11	44000117	PLUG HL BLACK	1	EA
12	1111513	PLUG HL BLACK	1	EA
13	46026378	RECEPTICLE 12V POWER W/TETHER SS BODY	1	EA
14	098027402	PLATE ADAPTOR	1	EA
15	47000100	SHELF AL. WORK STATION 30"	1	EA
16	098027404	I/P END CTR AL.102X8.4X18.5	1	EA
NS	119084400	BRACKET AIR GUAGE AL.102X8.07X12.03	1	EA

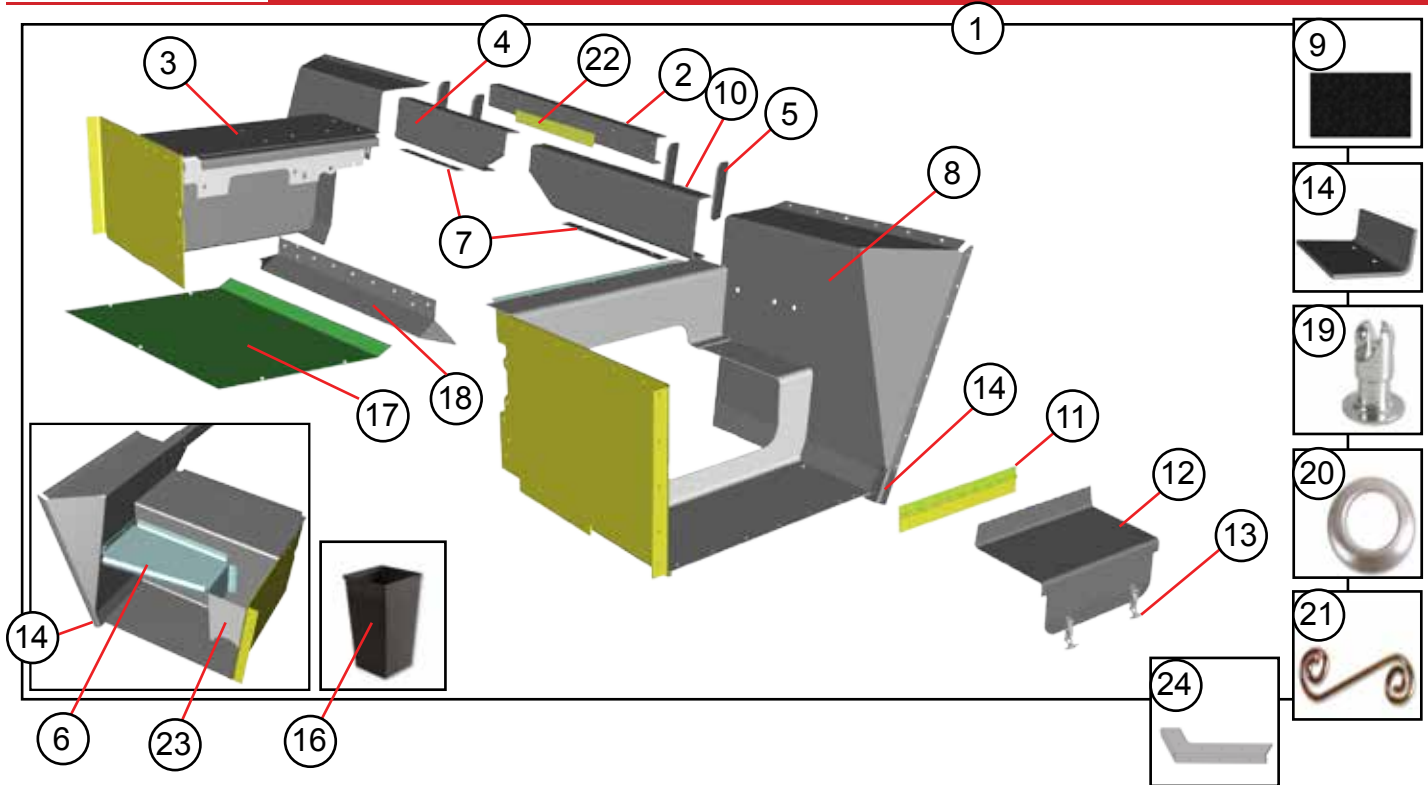


ITEM #	PART #	DESCRIPTION	QTY.	UNIT
1	47007900	HINGE AL STRAP W/ZERK .25 OFF SET	2	EA
2	088017264	BRACKET HINGE WELDMENT ROADSIDE (SHOWN)	1	EA
3	088017263	BRACKET HINGE WELDMENT CURBSIDE	1	EA
4	006017420	BRACE HOOD AL .102X3.12X29.88	2	EA
5	006017430	PLATE MOUNTING AL .102X2.7X11.75	2	EA
6	006017429	BRACKET LAMP AL .102X5.76X19.68	2	EA
7	006017428	BRACKET LAMP ANGLE AL ANG .102X5.62X8	2	EA
8	45200799	HOOD FIBREGLASS 93W	1	EA
9	006017402	STIFFENER AL .125X15X80.5	1	EA
10	006017424	BRACKET HEADLAMP AL .102X10.35X11.75	2	EA
11	006017426	BRACKET SUPPORT FRONT AL .102X2.5X8.0	2	EA
12	006017427	BRACKET SIDE AL .102X4X11.67	2	EA
13	006017425	BRACKET HEADLAMP INBOARD AL .102X6.44X8	2	EA
NS	44004077	SEAL TAPE #1458BTXFT	4.42	FT
15	47000613	LATCH HOOD	2	EA
16	44002004	BUMPER RUBBER HOOD LATCH	2	EA
NS	CFGRILLEM2	GRILLE	1	EA
NS	CFBADGEM2	GRILLE BADGE	1	EA
24	47006018	SPRING GAS SUSPA #C16-04650	1	EA
25	47006051	SPRING GAS WITH LOCK	1	EA
26	40900019	STUD BALL SUSPA #P67-00002	4	EA
27	40900020	STUD BALL CLIP	4	EA
28	088017453	CHANNEL STIFFENER HINGE AL.125X4.1X7.11	2	EA
29	96713300	ANGLE STEEL S 11GAX1.85X4.74	2	EA

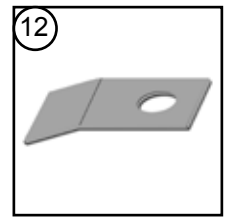
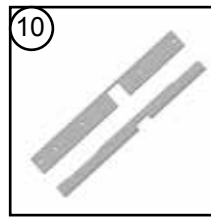
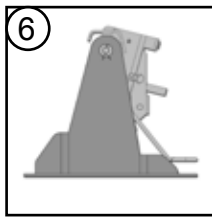
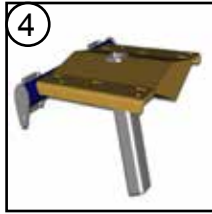
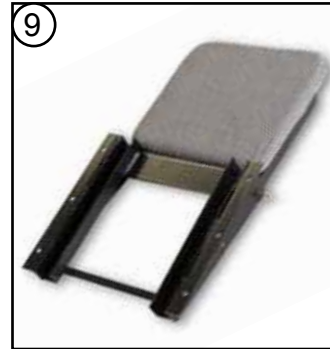


ITEM #	PART #	DESCRIPTION	QTY.	UNIT
1	006017433	STIFFENER HAT AL 450139X2.5	2	EA
2	088016400	BRACKET HOOD PROP ROADSIDE STL7GAX7.22X9.17L	1	EA
3	088016401	BRACKET HOOD PROP CURBSIDE STL7GAX7.22X9.17R	1	EA
4	098016402	BRACE HOOD BRACKET CURBSIDE STL7GA X3.5X12.12	1	EA
5	098016401	BRACE HOOD BRACKET ROADSIDE STL7GA X4.25X14.12	1	EA
6	43000597	LABEL HOOD PROPER INSTRUCTIONS	1	EA
7	088017445	BRACKET HOOD STOP AL.102X2.92X4	2	EA
8	087015400	BUMPER BACKER AL.102X.88X6	2	EA
9	44002014	REST HOOD BUMPER RUBBER	2	EA
10	088017444	PLATE BACKER HOOD STOP AL.188X3X19	2	EA
11	109008400	FRAME EXTENSION ROADSIDE STL.312X13.44X20.11LH	1	EA
12	109008401	FRAME EXTENSION CURBSIDE STL.312X13.44X20.11RH	1	EA
13	094015400	BRACKET HOOD REST ROADSIDE 11GAX11.79X14.54LH	1	EA
14	094015401	BRACKET HOOD REST CURBSIDE 11GAX11.79X14.54RH	1	EA
15	077260400	SPLASH PAN AL .125X11.27X21.36LH	1	EA
16	077260404	SPLASH PAN AL .125X8.47X19.23RH	1	EA

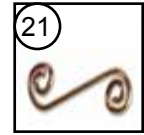
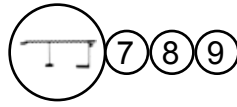
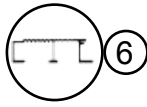
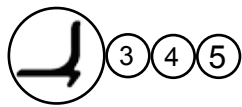
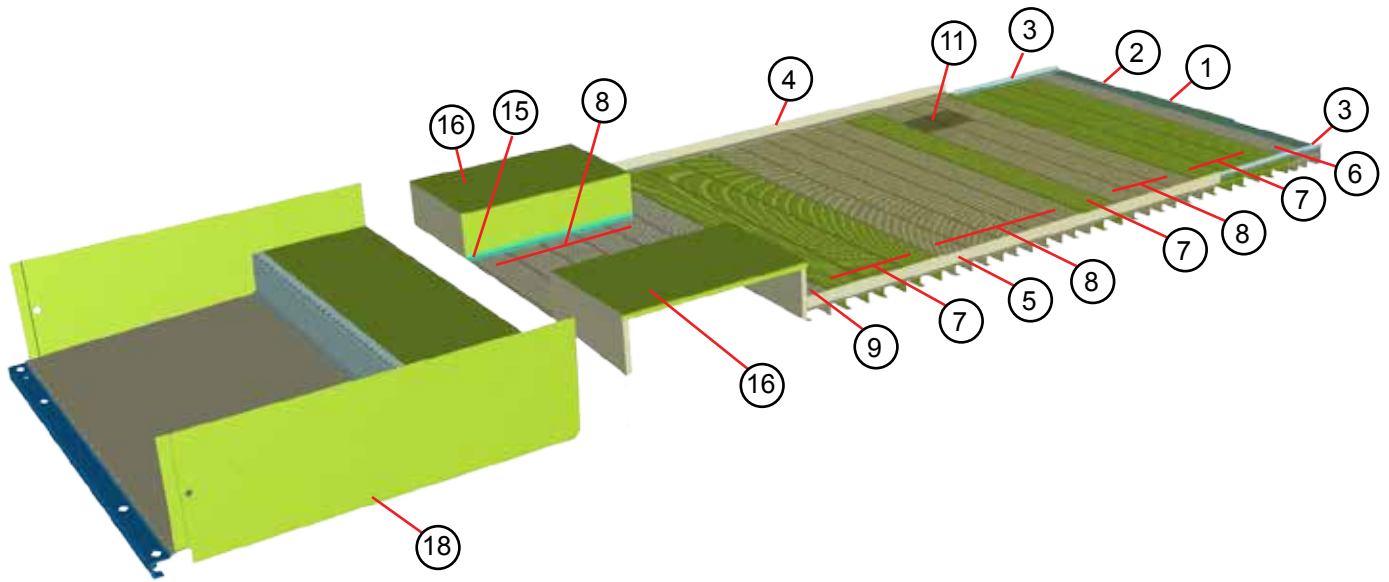




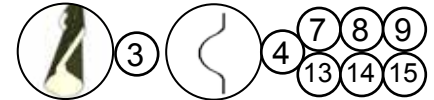
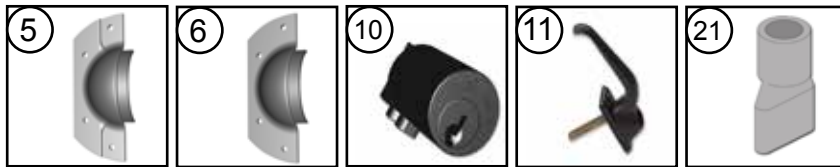
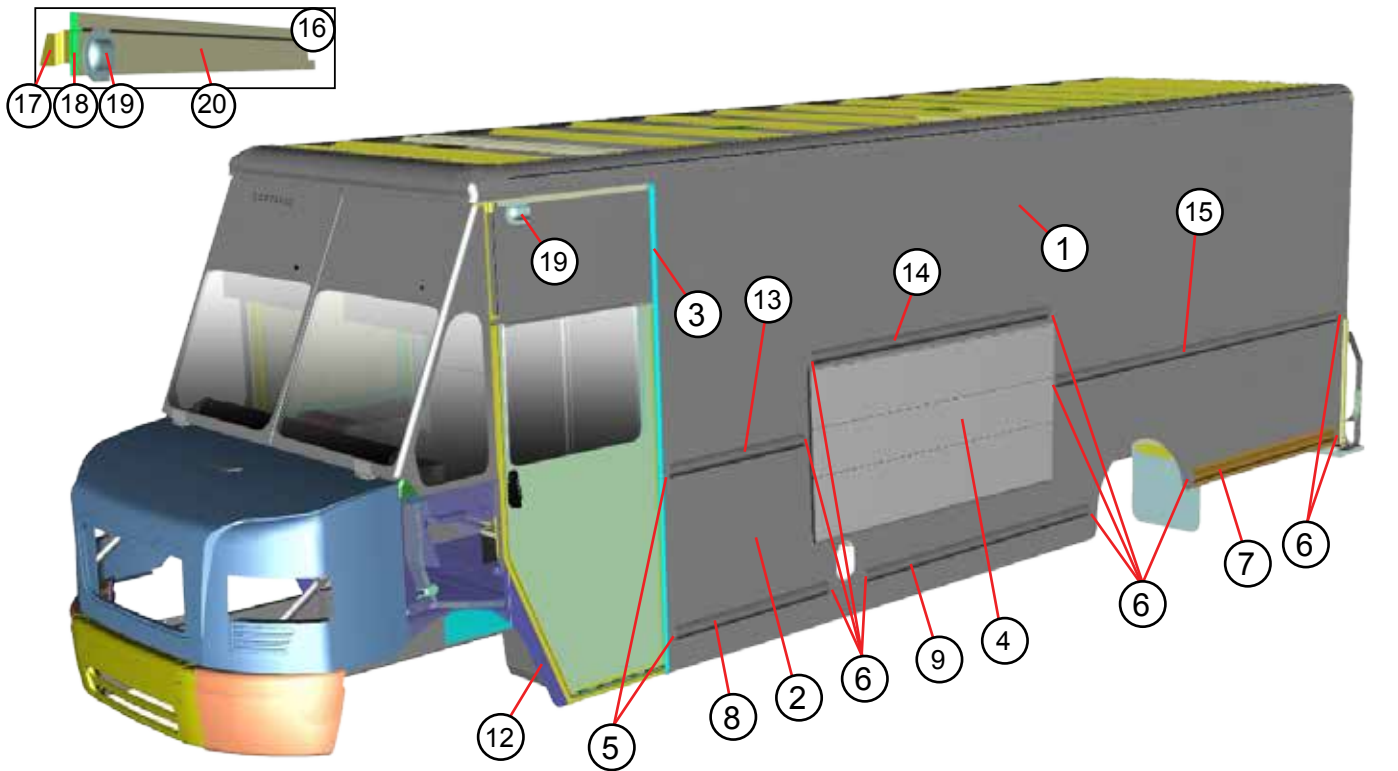
ITEM #	PART #	DESCRIPTION	QTY.	UNIT
1	088024021	STEP INSTALLATION CAB 93W MT55 2DR EM08	1	EA
2	077240400	CROSSMEMBER CENTER AL 456106X41	1	EA
3	088024243	STEP ASSEMBLY ROADSIDE	1	EA
4	083024464	CHANNEL CROSSMEMBER AL 456109X27 LH	1	EA
5	077240438	GUSSET AL .25X2.25X5.63	4	EA
6	077240468	STEP MID ALD.125X13.61X26.19 ROADSIDE	1	EA
7	088024417	SHIM OUTRIGGER AL .125XX1.75X18.6	2	EA
8	118024203	STEP ASSEMBLY CURBSIDE	1	EA
9	96724608	PAD DAMPENING 45200007X9X20	1	EA
10	083024465	CHANNEL CROSSMEMBER AL 456109X27 RH	1	EA
11	006324498	HINGE AL .075X1.12X1.75X21	1	EA
12	118024404	LID BATTERY ALD .125X22.25X24.82	1	EA
13	1113334	LATCH STEP	2	EA
14	084024415	RISER CORNER AL .125X3.61X3.5	2	EA
16	45200051	TRASH BIN	1	EA
17	108024201	TRANVERSE WELDMENT	1	EA
18	077024402	ANGLE FLOOR TRANVERSE	1	EA
19	40900080	STUD	6	EA
20	40900081	GROMMET HALF	6	EA
21	40900082	SPRING	6	EA
22	077050402	SHIM (BETWEEN SADDLE AND TRANVERSE ANGLE)	1	EA
23	077240433	BRACKET TRASH	1	EA
NS	1107235	MAT RUBBER RIBBED .125X30X FT	4	FT
24	100019404	TRIM TOEBOARD ALD.08X7.89X25.14 LH	1	EA



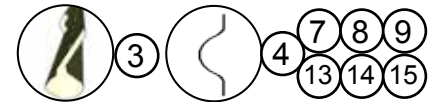
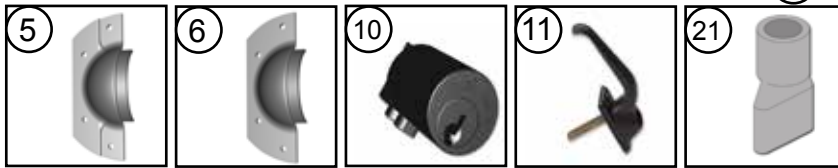
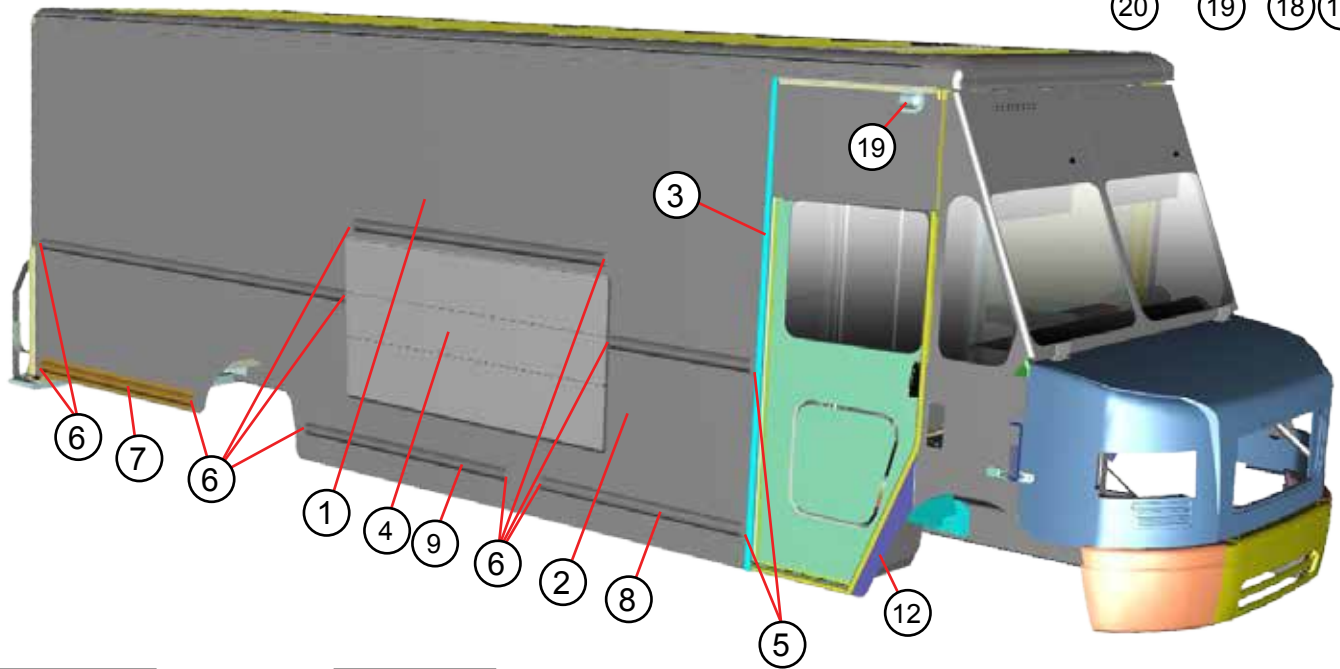
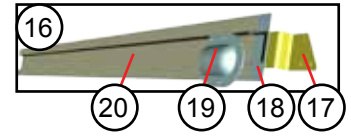
ITEM #	PART #	DESCRIPTION	QTY.	UNIT
1	47004325	SEAT VINYL BLACK 3PNT/IN W/O ARMS LH	2	EA
2	47004330	ARM REST BLACK SEAT 3PNT/IN RH	1	EA
3	47004329	ARM REST BLACK SEAT 3PNT/IN LH	1	EA
4	47004332	PEDESTAL SEAT UPPER 3PNT/IN FCC	1	EA
5	47003636	SPRING GAS SEAT HOLDER ASSEMBLY	1	EA
6	47012659	SEAT SOC/PEDESTAL BASE FRE 3PNT TILT	1	EA
7	47005319	S/BELT 3PNT/IN OG MET STRP150"	1	EA
8	47004972	SEAT HEADBACK REST CTUR BLK VNL FRE	1	EA
9	47004973	SEAT BLACK JUMP FOLDING	1	EA
10	91614300	ANGLE AL FLOOR .188X2.84X19.1	1	EA
11	47004366	S/BELT W/BOOT BLKH 3PNT OG R	1	EA
12	130070403	WASHER SEAT BASE	2	EA
NS	91614301	STIFFENER BULKHEAD FOR JUMP SEAT AL 450043X29.12	1	EA
NS	91614302	STIFFENER BULKHEAD FOR JUMP SEAT AL 450043X29.62	1	EA



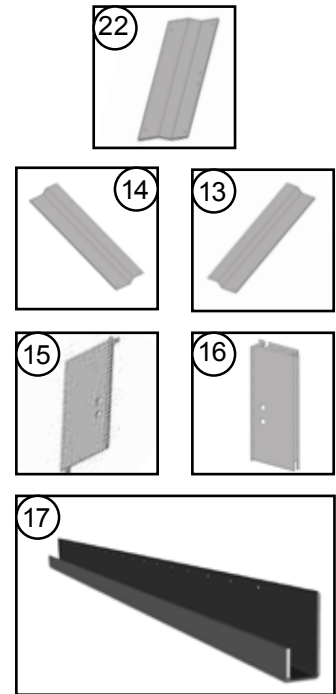
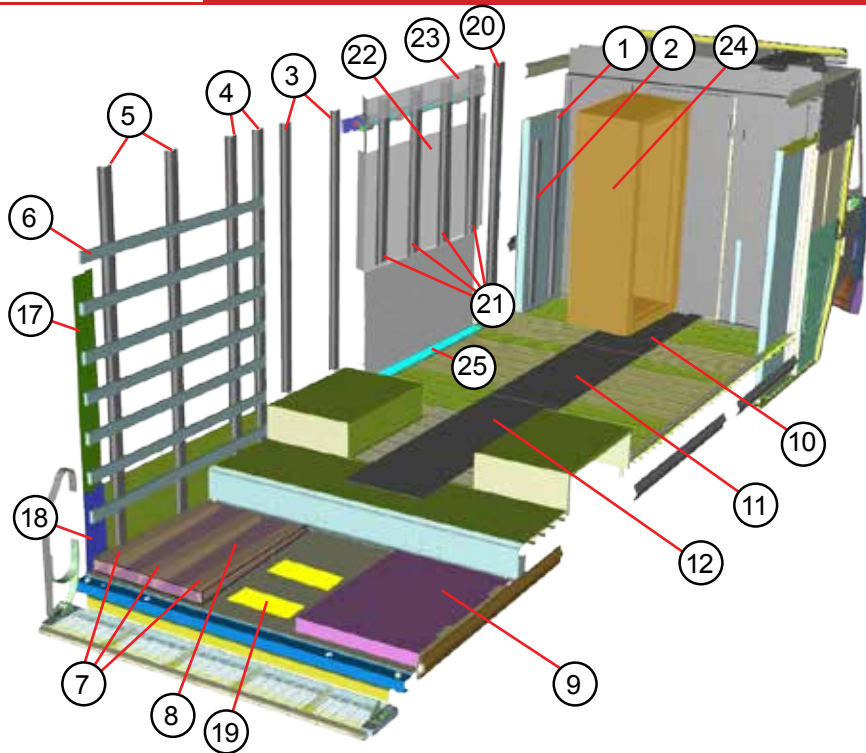
ITEM #	PART #	DESCRIPTION	QTY.	UNIT
1	001730416	ANGLE STEP AL450187X33.38	1	EA
2	05M234043	BEAM @ O/LINE AL 450394X86.38	1	EA
3	001730410	ANGLE FLOOR DROP 450303X36.62	2	EA
4	005730402	ANGLE FLOOR AL 450304X110.47 LH	1	EA
5	005730403	ANGLE FLOOR AL 450304X110.47 RH	1	EA
6	45061101	BEAM AL FLOOR H/D RIB 7X92.19	1	EA
7	45061301	BEAM AL FLOOR RIB 9X92.19	7	EA
8	45061202	BEAM AL FLOOR H/D RIB 8X92.19	8	EA
9	45061401	BEAM AL FLOOR H/D RIB 8.5X92.19	1	EA
10	05M234018	PLATE SUPPORT DOOR AL .125X14X14.2	1	EA
11	96730416	DOOR ACCESS AL .125X10.87X12.78	1	EA
12	40900080	STUD DZUS	2	EA
13	40900081	GROMMET HALF	2	EA
14	40900082	SPRING	2	EA
15	001734404	ANGLE W/BX AL 450018X40	2	EA
16	005734200	WHEEL BOX ASSEMBLY	2	EA
17	45061201	BEAM AL FLOOR H/D RIB 8X85.5	3	EA
18	06M287015	FLOOR DROP WELDMENT 93W MT55 22'	1	EA
NS	094078418	ANGLE SUPPORT AL 450523X9.88	2	EA
NS	096100402	FLOOR OVERLAY FORWARD ALD.08X35.75X123	1	EA
NS	96367401	FLOOR OVERLAY 16' ALD .08X35.75X57.2	1	EA



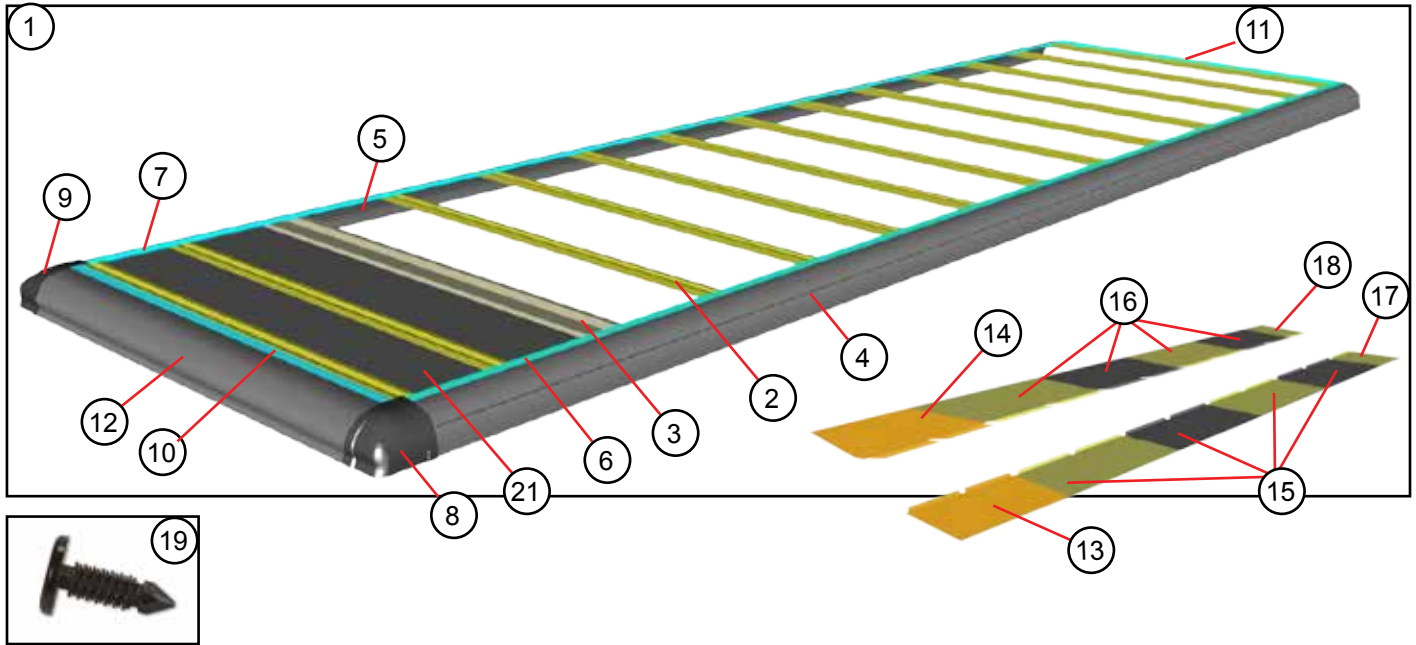
ITEM #	PART #	DESCRIPTION	QTY.	UNIT
1	148038402	SIDE UPPER AL .102X60X265.31 LH	1	EA
2	148037403	SIDE LOWER AL.125X41.79X265.31 LH	1	EA
3	148038404	POST B AL 450274X99.62 LH	1	EA
4	47005894	ROLL UP DOOR ROADSIDE 38X85.25	1	EA
5	1100800	END CAP FORWARD AL.125X2.37X5.5	2	EA
6	1100799	END CAP REAR FL AL.125X2.37X5.5	10	EA
7	05M234049	RUB/RAIL LOWER REAR AL 450002X70	1	EA
8	096110402	RUB/RAIL LOWER FRONT AL450002X46 LH	1	EA
9	096110403	RUB/RAIL LOWER MID AL450002X82.5 LH	1	EA
10	47001194	HANDLE CYL REMOVABLE	1	EA
11	47001176	HANDLE BLACK NO CYL	1	EA
12	098022400	CAB SKRT TAIL AL.07X5.76X36.83 LH	1	EA
13	148039401	RUB/RAIL UPPER FRONT AL450002X39.48	1	EA
14	096110403	RUB/RAIL UPPER MID AL450002X82.5 LH	1	EA
15	148039400	RUB/RAIL UPPER REAR AL450002X130	1	EA
16	097042000	STIFFENER HEADER INSTALLATION (ITEMS 17,18,19,20)	1	EA
17	96742302	CLIP AL Z .102X3X9.57	1	EA
18	45100074	CAP RAIL END	1	EA
19	47008533	VENT CAP PLASTIC END	1	EA
20	083042400	STIFFENER HEADER AL450328X73.75 ROADSIDE	1	EA
21	44001006	DRAIN RUBBER KAZOO FOR PIPE	1	EA



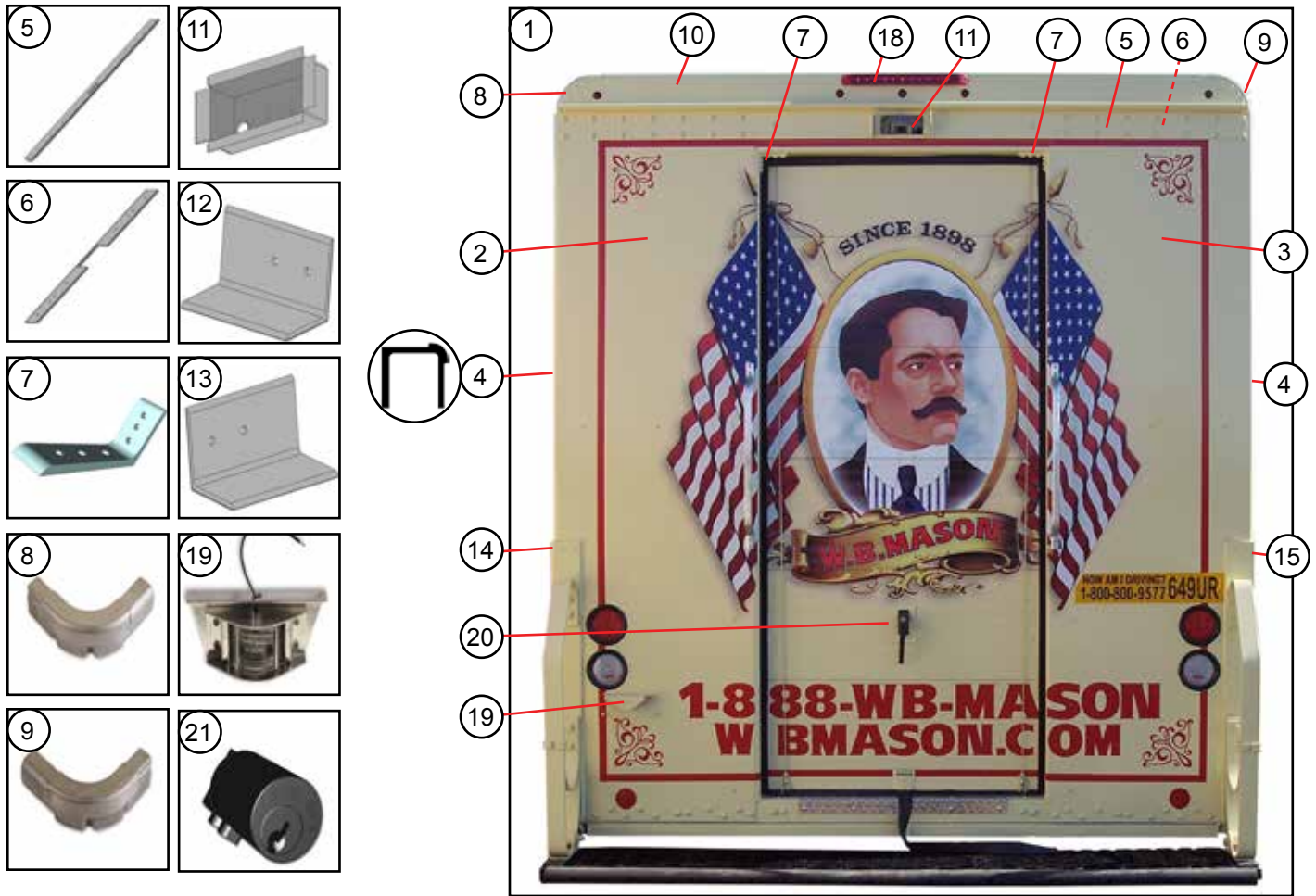
ITEM #	PART #	DESCRIPTION	QTY.	UNIT
1	148038402	SIDE UPPER AL .102X60X265.31 RH	1	EA
2	148037404	SIDE LOWER AL.125X41.79X265.31 RH	1	EA
3	148038405	POST B AL 450274X99.62 RH	1	EA
4	47005894	ROLL UP DOOR CURBSIDE 38X85.25	1	EA
5	1100800	END CAP FORWARD AL.125X2.37X5.5	2	EA
6	1100799	END CAP REAR FL AL.125X2.37X5.5	10	EA
7	05M234049	RUB/RAIL LOWER REAR AL 450002X70	1	EA
8	096110401	RUB/RAIL LOWER FRONT AL450002X71 RH	1	EA
9	096110400	RUB/RAIL LOWER MID AL 450002X59 RH	1	EA
10	47001194	HANDLE CYL REMOVABLE	1	EA
11	47001176	HANDLE BLACK NO CYL	1	EA
12	098022401	CAB SKRT TAIL AL.07X5.76X36.83 RH	1	EA
13	148039401	RUB/RAIL UPPER FRONT AL450002X39.48	1	EA
14	096110403	RUB/RAIL UPPER MID AL450002X82.5 RH	1	EA
15	148039400	RUB/RAIL UPPER REAR AL450002X130	1	EA
16	127042000	STIFFENER HEADER INSTALLATION (ITEMS 17,18,19,20)	1	EA
17	96742302	CLIP AL Z .102X3X9.57	1	EA
18	45100074	CAP RAIL END	1	EA
19	47008533	VENT CAP PLASTIC END	1	EA
20	083042401	STIFFENER HEADER AL450328X73.75 CURBSIDE	1	EA
21	44001006	DRAIN RUBBER KAZOO FOR PIPE	1	EA



ITEM #	PART #	DESCRIPTION	QTY.	UNIT
1	148048416	STIFFENER @ DOOR POCKET HAT AL450039X66.88	2	EA
2	148048415	STIFFENER @ DOOR POCKET HAT AL450039X60.00	2	EA
3	148048411	STIFFENER @ WHEEL BOX AL450039X76.25	4	EA
4	148048412	STIFFENER @ AFT W/BX AL450039X86.97	4	EA
5	148048413	STIFFENER @ DROP FLOOR AL450039X96.07	4	EA
6	138046402	SLAT HARDWOOD .75X2.62X5.92 BEVEL EDGE	14	EA
7	06M287424	STIFFENER DROP FLOOR HAT AL .125X11.8X43.14	6	EA
8	06M287425	PLATE COVER AL.125X32.12X48.54 LH	1	EA
9	06M287426	PLATE COVER AL.125X32.12X48.54 RH	1	EA
10	138100421	FLOOR OVERLAY FBG.125X24X63.75	1	EA
11	138100404	FLOOR OVERLAY FBG.125X24X61.25	1	EA
12	138100405	FLOOR OVERLAY FBG.125X24X81.25	2	EA
20	148048410	STIFFENER SIDE 91H AL450039X84	2	EA
21	148048414	STIFFENER RUD/POCKET AL450039X46	8	EA
22	148130402	COVER RUD AL.102X48X96.14	2	EA
23	148130403	COVER RUD AL.102X15.88X88	2	EA
24	990002158	CABINATE 23 CUBIC FEET F/O DCI CLR (RYDER UNIT#518669)	1	EA
24	990002098	CABINATE 15 CUBIC FEET F/O DCI CLR (RYDER UNIT#518670)	1	EA
25	148130401	SILL DROP SILL AL.102X4X86	2	EA
<b>LAMP GUARD PANELS</b>				
13	005106405	GUARD Z UPPER AL .125X9.25X54 LH	1	EA
14	005106406	GUARD Z UPPER AL .125X9.25X44.5 RH	1	EA
15	06M287421	GUARD LAMP AL .125X28.52X52.69 LH	1	EA
16	096087400	GUARD LAMP AL.125X28.52X52.69 RH	1	EA
17	107087402	GUARD WIRING REAR AL450006X38	1	EA
18	005106403	GUARD LAMP Z AL .125X9.15X16.46 (ROADSIDE SHOWN)	2	EA
19	098137406	PLATE STEP FBG .125X10X16	3	EA

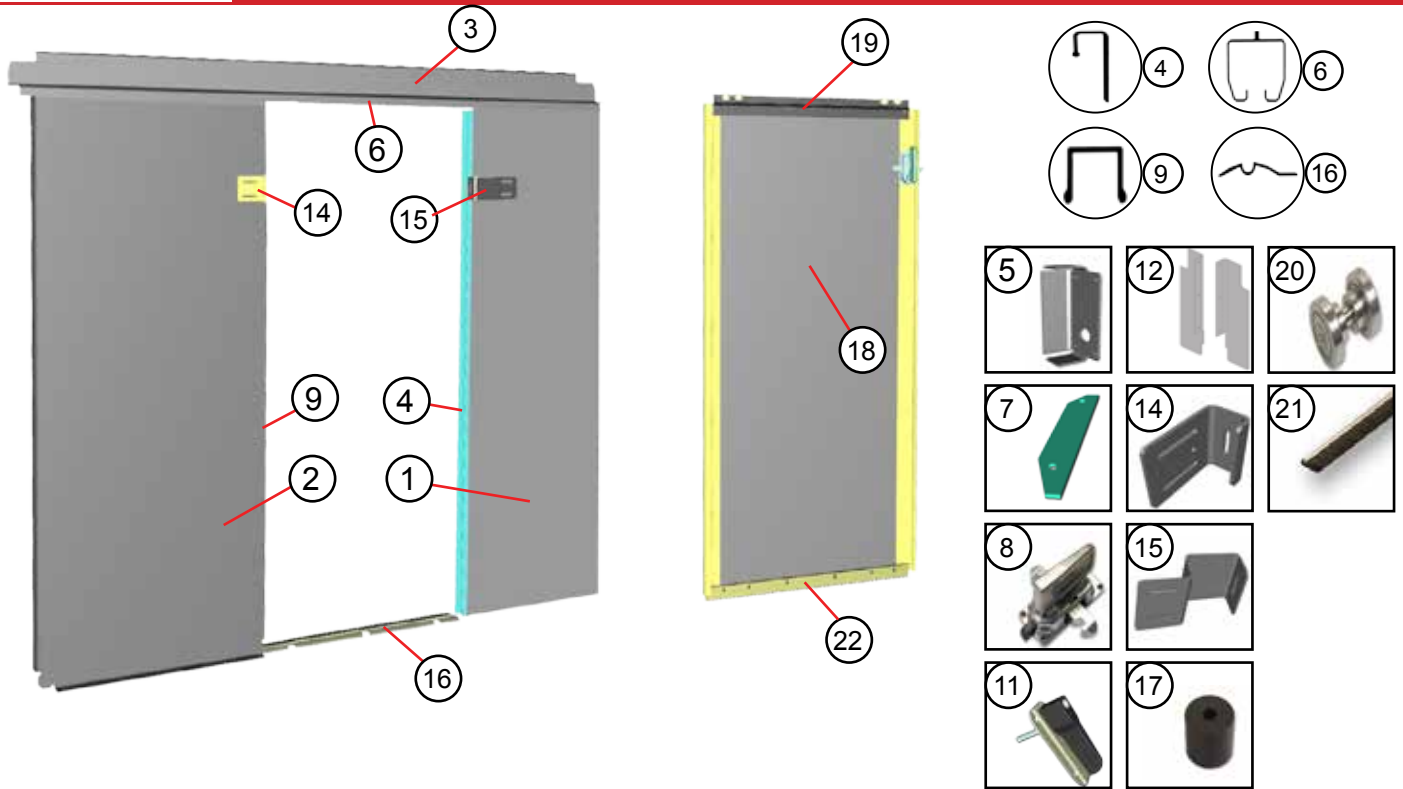


ITEM #	PART #	DESCRIPTION	QTY.	UNIT
1	096010002	ROOF AL OR FBG ASSEMBLY 21'4"93W D/FLR	1	EA
2	45601603	ROOF BOW STEEL 16GA SEC456016 X89.12	14	EA
3	118010402	ROOF BOW @ O/LINE 14GA GLNX9.54X89.12	1	EA
4	096010400	RAIL ROOF 22 ' AL456144X301.12 LH	1	EA
5	096010401	RAIL ROOF 22 ' AL456144X301.12 RH	1	EA
6	096010402	RAIL INTERLINK ROOF AL450140X301.12 LH	1	EA
7	096010403	RAIL INTERLINK ROOF AL450140X301.12 RH	1	EA
8	077100400	CORNER AL CASTING ROOF LH	1	EA
9	077100401	CORNER AL CASTING ROOF RH	1	EA
10	89310506	NOSE RF INTLK AL 45014X82.38	1	EA
11	89310507	RAIL INTERLINK TRANSOM AL 450140X79.88	1	EA
12	083010400	NOSE 93W AL 456107X82.5	1	EA
NS	45200851	SKIN FBG ROOF .075X82.25XFT	1	EA
<b>CARGO ROOF LINER</b>				
13	083011500	LINER ROOF EMB .023X29.65X49 LH	1	EA
14	083011501	LINER ROOF EMB .023X29.65X49 RH	1	EA
15	083011502	LINER ROOF 49' EMB .023X29.65X49 LH	4	EA
16	083011503	LINER ROOF 49' EMB .023X29.65X49 RH	4	EA
17	096011408	LINER ROOF AL.023EMBX20.88X29.65 LH	1	EA
18	096011409	LINER ROOF AL.023EMBX20.88X29.65 RH	1	EA
19	47006610	CLIP PLASTIC FLAT HEAD .45HEADX.64	164	EA
NS	1109001	INSULATION FBG 1X48X100FT	38.5	FT
<b>CAB ROOF LINER</b>				
21	118011402	LINER ROOF CAB 452100X37.12X86.75	1	EA
NS	100011400	POLYST FIL RFLNR4200200 4X22.5	3	EA
NS	1109001	INSULATION FBG 1X48X100FT	7.25	FT
19	47006610	CLIP PLASTIC FLAT HEAD .45HEADX.64	52	EA

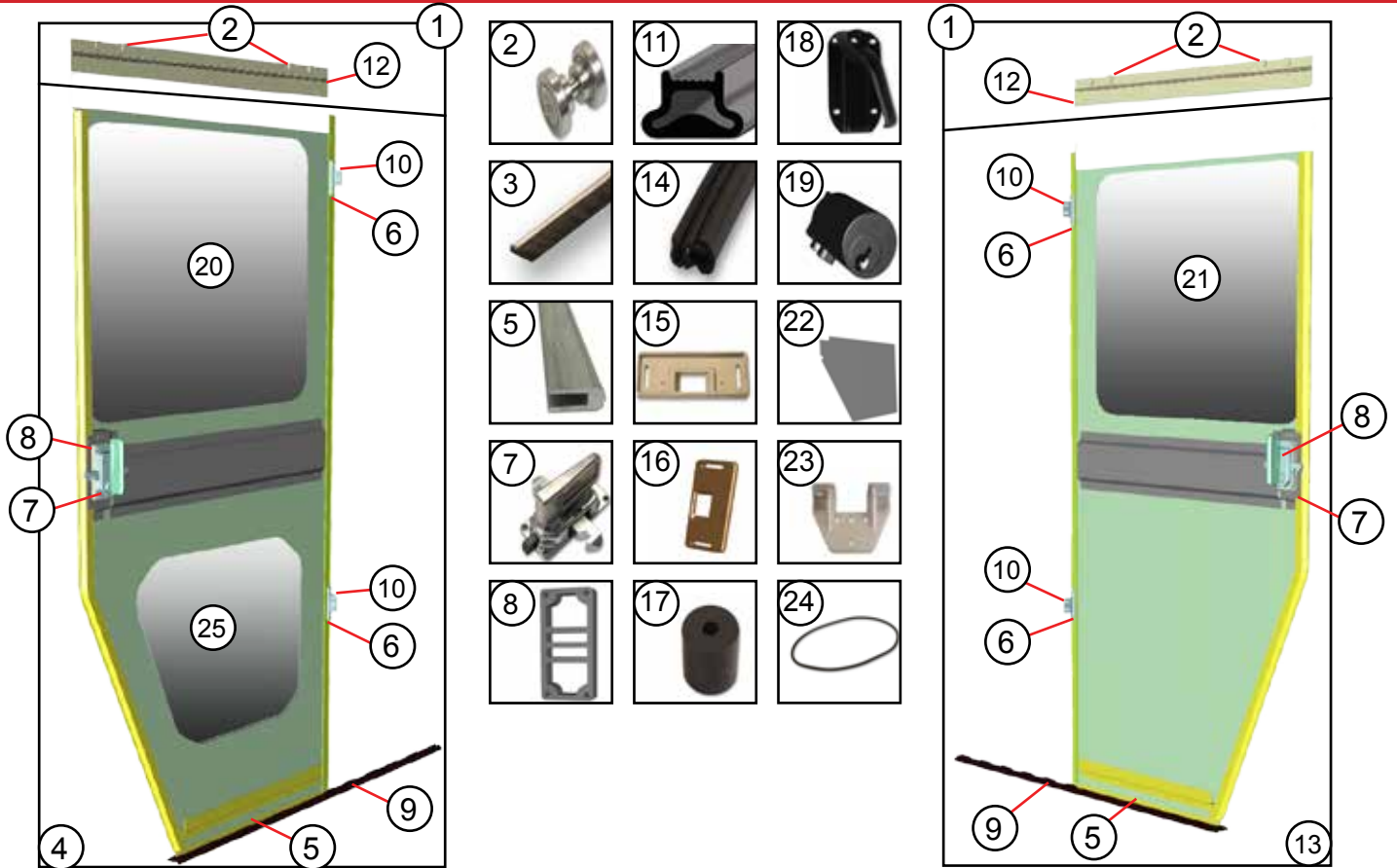


ITEM #	PART #	DESCRIPTION	QTY.	UNIT
1	148053200	BACK ASSEMBLY 91H93W 38" RUD D/FLR	1	EA
2	148053401	PANEL BACK AL.188X30.79X101 LH	1	EA
3	148053402	PANEL BACK AL.188X30.79X101 RH	1	EA
4	148053400	POST JAMB AL450359X92.85	2	EA
5	007750408	EXTENSION TRANSOM AL .125X5.86X85.88	1	EA
6	007750407	SPACER SHIM AL .188X1.88X39.44	1	EA
7	93181302	ANGLE CLIP HEADER AL 450198X1	2	EA
8	45100098	CORNER AL CAST ROOF REAR LH	1	EA
9	45100099	CORNER AL CAST ROOF REAR RH	1	EA
10	096050415	TRANSOM AL450352X91.62	1	EA
11	007750203	HOUSING CAM BACK UP ASSEMBLY	1	EA
12	137094401	GUARD CAMERA AL450523X3.25 LH	1	EA
13	137094402	GUARD CAMERA AL450523X3.25 RH	1	EA
14	118050409	ANGLE REINFORCEMENT OUTER AL 450176X37.69	1	EA
15	118050410	ANGLE REINFORCEMENT OUTER AL 450176X37.69	1	EA
NS	118050407	REINFORCEMENT INNER AL.188X9.35X35.13 LH	1	EA
NS	118050408	REINFORCEMENT INNER AL.188X9.35X35.13 RH	1	EA
18	46001905	LAMP AUX S/LH+RH TURN BAR	1	EA
19	1111001	LAMP LICENSE PLATE	1	EA
20	47001176	HANDLE REAR BLACK NO CYL	1	EA
21	47001194	HANDLE CYL REMOVABLE	1	EA

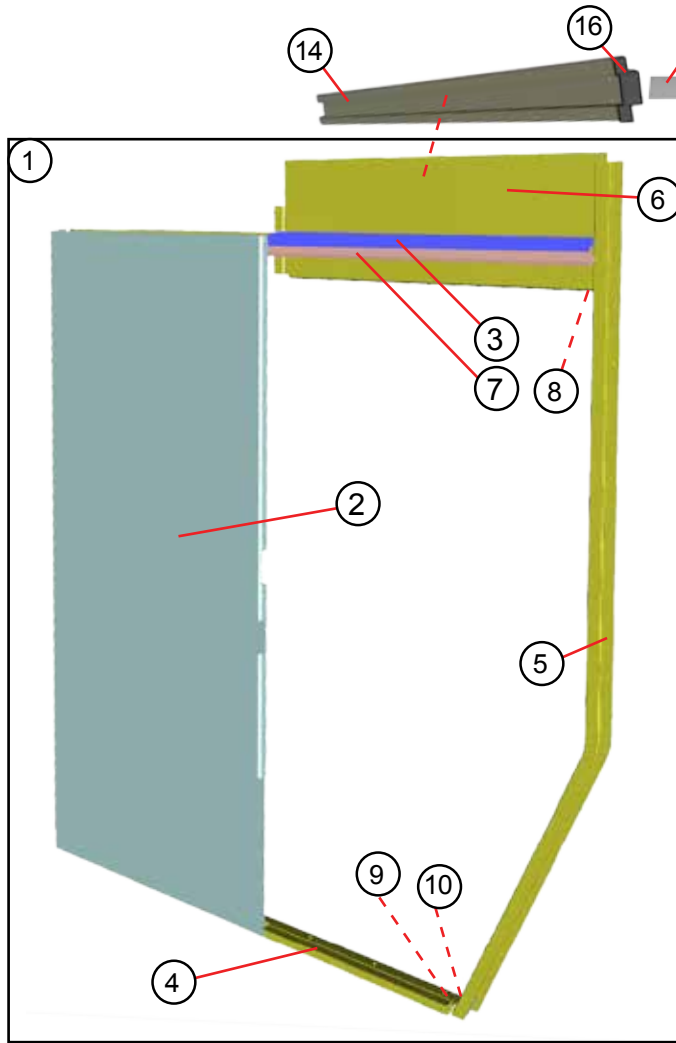




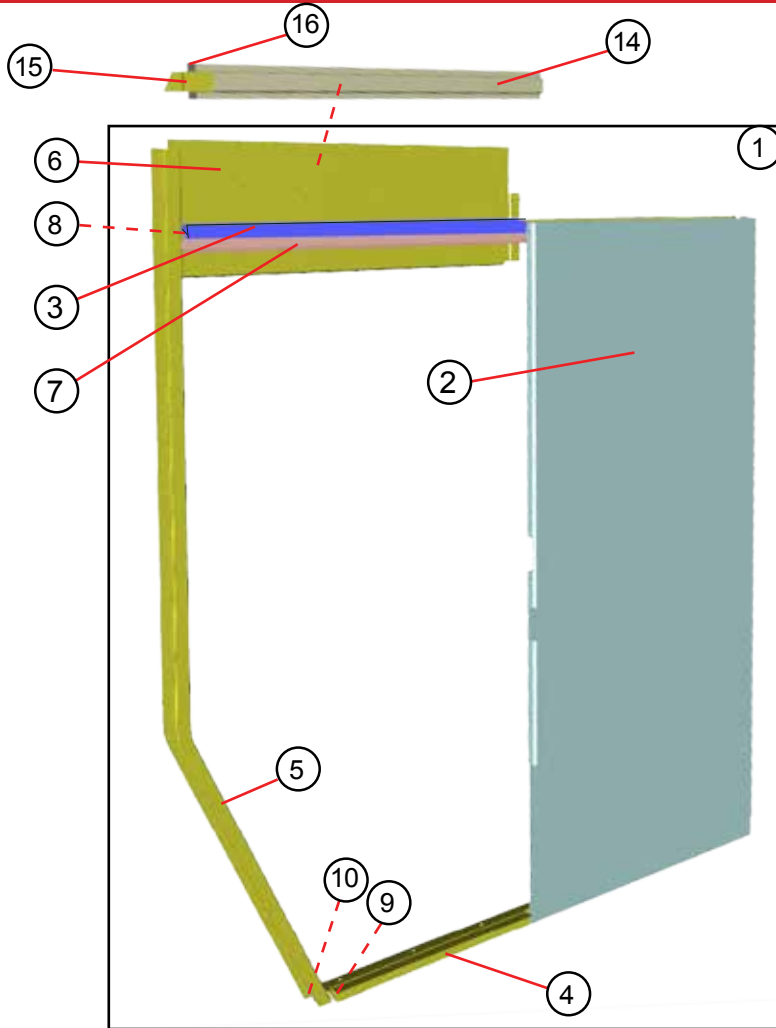
ITEM #	PART #	DESCRIPTION	QTY	UNIT
1	148070411	PANEL BULKHEAD AL.102X30.37X81.38 LH	1	EA
2	148070412	PANEL BULKHEAD AL.102X28.12X81.38 RH	1	EA
3	148070415	ZEE HEADER BULKHEAD AL.102X14.78X92.41	1	EA
4	107070405	CHANNEL BULKHEAD LH ALE450502X76.15	1	EA
5	088070433	SPACER DOOR BULKHEAD AL .125X4.6X10.02	1	EA
6	088070256	TRACK DOOR ASSEMBLY 30" CTR SLID	1	EA
7	06M202043	SHIM HANDLE DOOR AL .125X1X7	1	EA
8	1113016	LOCK MECH LK INR D/S KAS 4002-14	1	EA
9	107070407	JAMB BULKHEAD DOOR ALE450326X78.37	1	EA
10	088070482	SPACER BULKHEAD 1101200X2.25	2	EA
11	47000996	HANDLE BULKHEAD DOOR BLACK	1	EA
12	148070413	PLATE BULKHEAD AL.055X3.56X12.3 RH	1	EA
12	148070414	PLATE BULKHEAD AL.055X3.56X12.3 LH	1	EA
14	088070431	BRACKET STIKER STEEL 7GAX3.5X6.32 LH	1	EA
15	088070432	BRACKET STRIKER STEEL 7GAX3.5X11.77 RH	1	EA
16	96770316	GUIDE DOOR FLOOR AL 450414X47.88	1	EA
17	44002011	BUMPER RUBBER	3	EA
18	148070202	DOOR ASSEMBLY BULKHEAD N/WDO UPR HNDL POS	1	EA
19	148070203	HANGER ASSEMBLY W/SEAL BHD 3.34X30.13	1	EA
20	47006595	BEARINGS SR311-214 & RT311-278	4	PR
21	44008050	SEAL BRUSH TYPE B 1X83.9	1	EA
22	148070419	WEAR STRIP BULKHEAD DOOR BOTTOM AL452002X32.35	1	EA
23	148069402	STIFFENER JUMP SEAT AL450043X79	1	EA



ITEM #	PART #	DESCRIPTION	QTY	UNIT
1	96760203	HANGER ASSEMBLY	1	EA
2	47006595	BEARINGS	4	PR
3	44008050	SEAL BRUSH TYPE B 1X83.9	1	EA
4	083060202	DOOR ASSEMBLY CURBSIDE	1	EA
5	98760306	WEAR STRIP 450008X25.75	1	EA
6	45200206	SPACER ANTI RATTLE CLIP	2	EA
7	1113016	LATCH MECHINISM	1	EA
8	087181	SPACER LATCH	1	EA
9	47002766	GUIDE NYLON DOOR MLDD LOWER X51.44	1	EA
10	96760318	CLIP ANTI RATTLE AL.188X2X2.7	2	EA
11	44004104	SEAL RUBBER RS FWD DR X89.25	1	EA
12	96760307	PLATE DOOR HANGER	1	EA
13	083060201	DOOR ASSEMBLY ROADSIDE	1	EA
14	1107270	SEAL TR SCHLEG1426-X999	8	FT
15	45100093	STRIKER BRONZE D/S RR	2	EA
16	45100163	STRIKER BRONZE D/S RR	1	EA
17	44002011	BUMPER RUBBER	1	EA
18	47000689	HANDLE SIDE BLACK	1	EA
19	47001194	REMOVABLE CYLINDER	1	EA
20	45800062	WINDOW SLIDING CURBSIDE (FILLER STRIP 7.68 FT - 44004200)	1	EA
21	45800063	WINDOW SLIDING ROADSIDE (FILLER STRIP 7.68 FT - 44004200)	1	EA
22	083060409	PANEL DOOR INNER LOWER AL .07X39.4X40.02 RH (083060406 - LH)	1	EA
23	45100094	BRACKET STRIKER CAST D/S	1	EA
24	44004262	WEATHER STRIP FLUSH MOUNTING X93.25	1	EA
25	1111637	GLASS SAFETY RH DOOR .25 84456-10	1	EA



ITEM #	PART #	DESCRIPTION	QTY.	UNIT
1	148041000	D/P INSTALLATION 3" LH (ASSEMBLY - 148041200)	1	EA
2	109041400	PANEL D/P AL.102X42.26X87.65LH	1	EA
3	96741302	CHANNEL HEADER AL 450256X75 LH	1	EA
4	98741352	NOSE STEP AL 450247X61.29 LH	1	EA
5	148041402	DOOR POST AL 450294X102.43 LH	1	EA
6	148041400	PANEL HEADER AL.102X19.49X42.37 LH	1	EA
7	96741202	TRACK ASSEMBLY UPPER	1	EA
8	45100048	GUSSET HEADER CHANNEL TO DOOR POST	1	EA
9	45100104	DOOR POST CASTING LOWER LH	1	EA
10	001741407	REINFORCEMENT BRACKET PST AL.125X1.53X8.04 LH	1	EA
11	44004060	SEAL BRUSH TYPE C 1.5X82	1	EA
12	44008050	SEAL BRUSH TYPE B 1X83.9	1	EA
13	45900001	PLUG WD RB/RL .75X1.12X2.9	1	EA
14	083042400	STIFFENER HEADER AL450328X73.75 LH	1	EA
15	96742302	CLIP AL ZEE .102X3X9.57	1	EA
16	45100074	CAP RAIL END	1	EA
17	96741354	COVER DOOR POCKET AL.055X6.75X12.16 LH	1	EA
18	47008533	CAP PLASTIC END VENT	1	EA
NS	137410401	DRIP EDGE OVER WINDOW AL450006X41 LH	1	EA



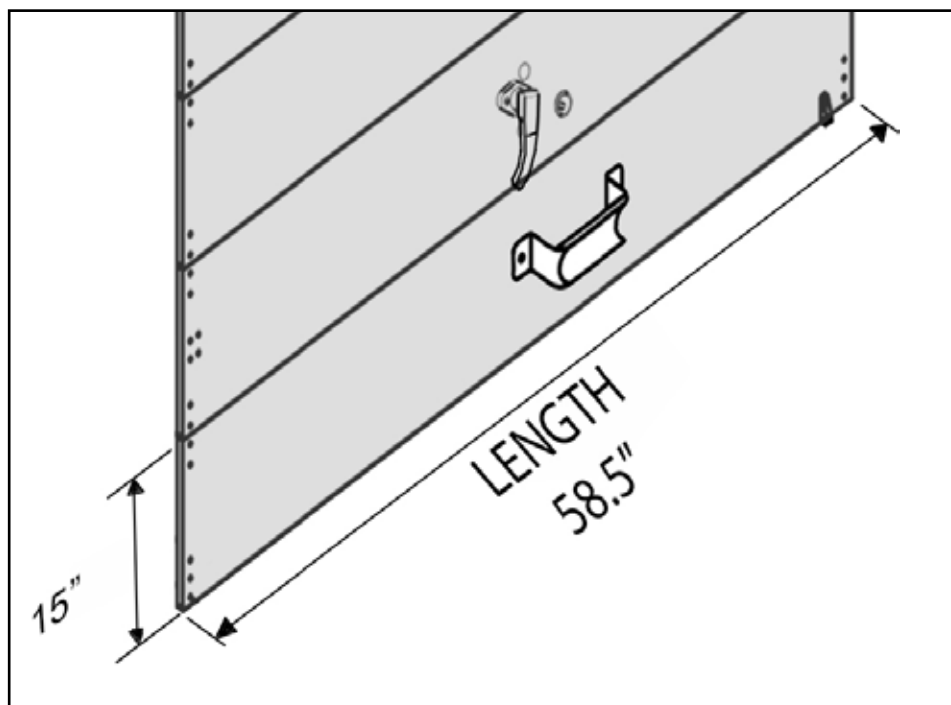
ITEM #	PART #	DESCRIPTION	QTY.	UNIT
1	148041001	DOOR POCKET INSTALLATION RH W/VT (ASSEMBLY - 148041201)	1	EA
2	109041401	PANEL DOOR POCKET AL.102X42.26X87.65RH	1	EA
3	96741303	CHANNEL HEADER AL 450256X75 RH	1	EA
4	98741353	NOSE STEP AL 450247X61.29 RH	1	EA
5	148041403	DOOR POST AL 450294X108.43RH	1	EA
6	148041401	PANEL HEADER AL.102X19.49X42.37 RH	1	EA
7	96741202	TRACK ASSEMBLY UPPER	1	EA
8	45100049	GUSSET HEADER CHANNEL TO DOOR POST	1	EA
9	45100105	DOOR POST CASTING LOWER	1	EA
10	001741408	REINFORCEMENT BRACKET AL.125X1.53X8.04 RH	1	EA
11	44004060	SEAL BRUSH TYPE C 1.5X82	1	EA
12	44008050	SEAL BRUSH TYPE B 1X83.9	1	EA
NS	45900001	PLUG WD RUBRAIL .75X1.12X2.9	1	EA
14	083042401	STIFFENER HEADER AL450328X73.75 RH	1	EA
15	96742302	CLIP AL Z .102X3X9.57	1	EA
16	45100074	CAP RAIL END	1	EA
17	96741355	COVER DOOR POCKET AL.055X6.75X12.16 RH	1	EA
18	47008533	CAP PLASTIC END VENT	1	EA
NS	45900001	PLUG WD RB/RL .75X1.12X2.9	1	EA
NS	137410400	DRIP EDGE OVER WINDOW AL450006X41RH	1	EA

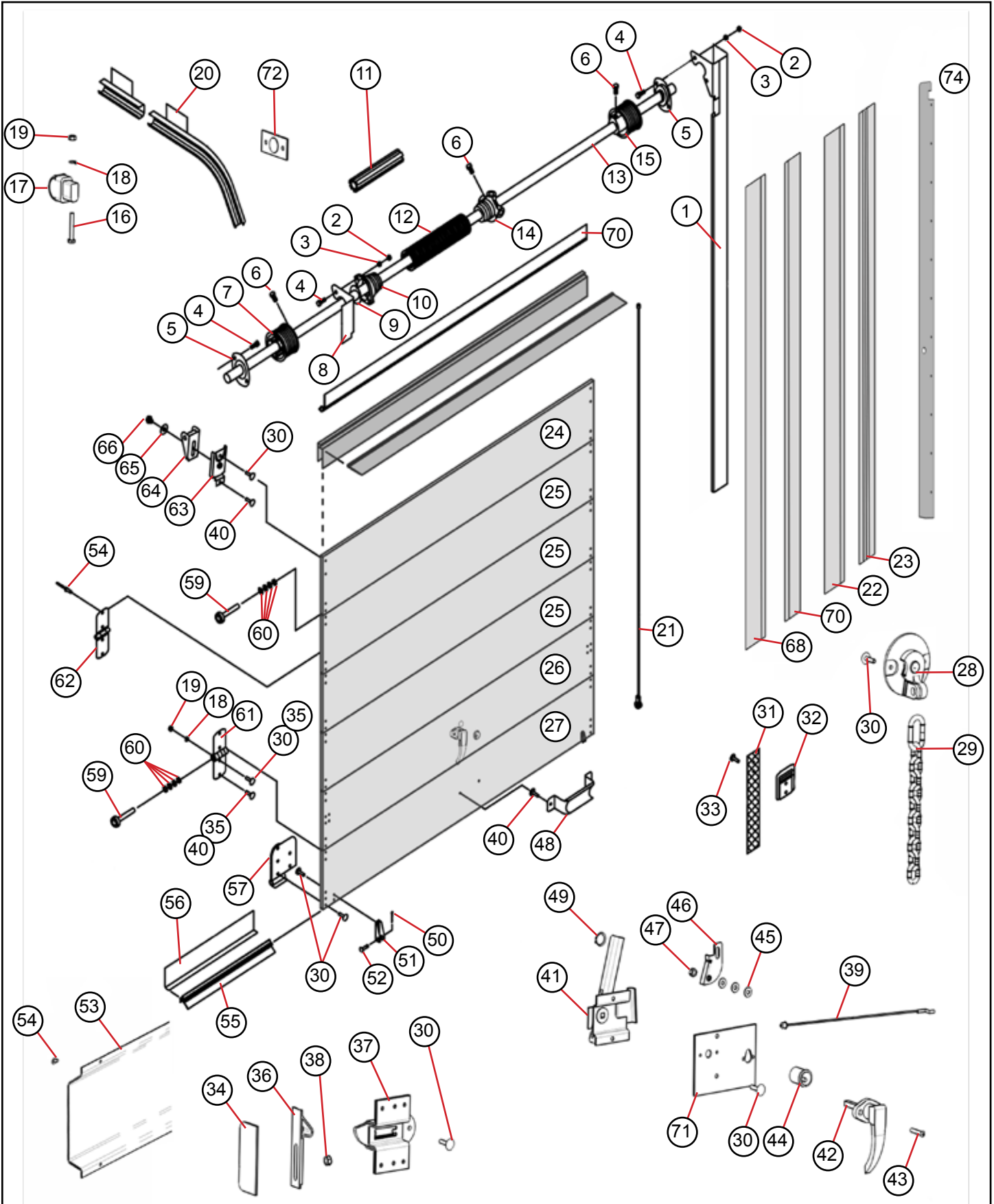


ROLL-UP DOOR SERIAL NUMBER LOCATION

WHEN ORDERING PARTS FOR ROLL-UP DOORS,  
PLEASE PROVIDE THE FOLLOWING INFORMATION.  
THE SERIAL NUMBER LOCATED ON THE INTERIOR TOP PANEL ROADSIDE EDGE.  
THE LENGTH AND HEIGHT OF THE DOOR PANEL(S) TO BE ORDERED.

IN THE EVENT OF A DAMAGED, UN-READABLE OR MISSING SERIAL NUMBER,  
PLEASE TRY TO PROVIDE THE COMPOSITION DETAILS OF THE DOOR PANEL.  
(PLASTIC COATED, ALUMINUM CLAD, PLYWOOD, ETC.)

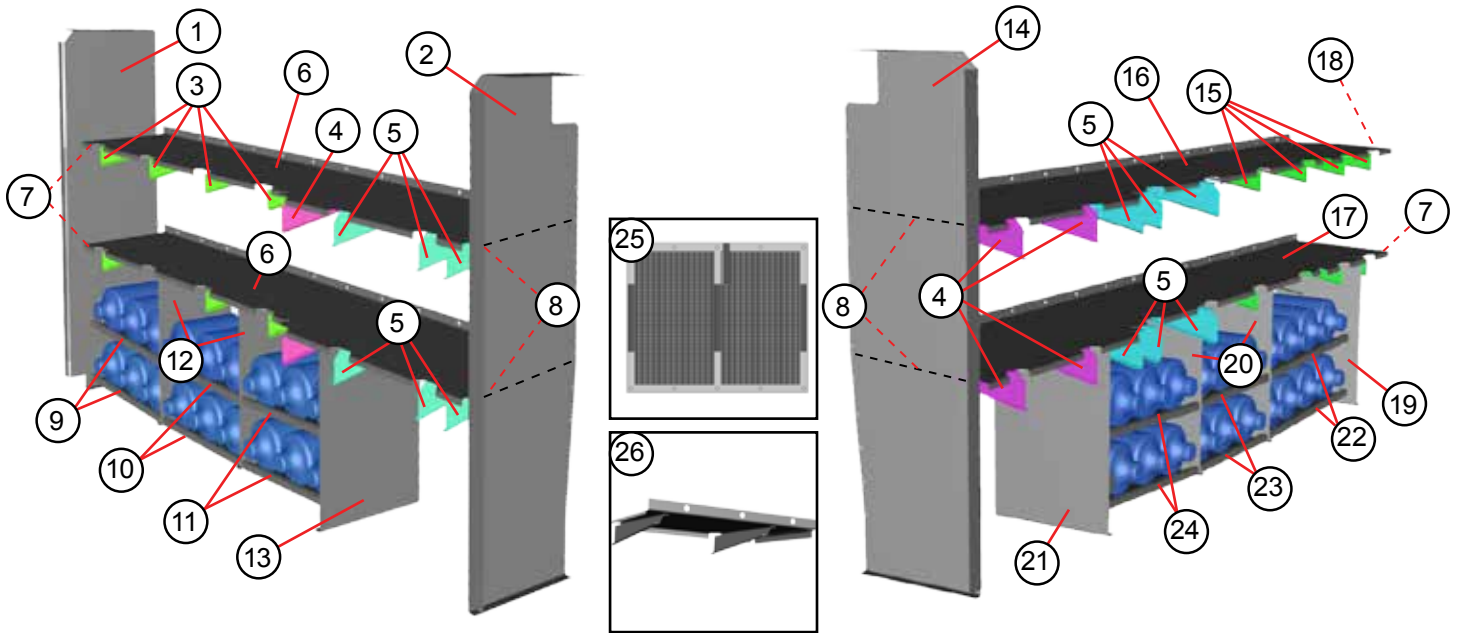




ITEM #	PART #	DESCRIPTION	QTY.	UNIT
	47005893	ROLL-UP DOOR WEATHERTITE 38.25 X 93.15	1	EA
N/S	005774400	MOUNTING ANGLE	2	EA
1	PER S/N	VERTICAL TRACK ASM.- R/H (CURBSIDE)	1	EA
N/S	PER S/N	VERTICAL TRACK ASM.- L/H (ROADSIDE)	1	EA
NS	117073400	TRACK KEYLESS MOD (47009726)	1	EA
2	N/A	HEX NUT - 5/16" NC	6	EA
3	N/A	LOCK WASHER - 5/16"	6	EA
4	N/A	HEX HEAD BOLT - 5/16" NC X 7/8"	6	EA
5	61380	BEARING ASSEMBLY	2	EA
6	47009906	HEX HEAD SET SCREW - 3/8" NC X 7/8"	6	EA
7	1116524	CABLE DRUM - L/H (ROADSIDE)	1	EA
8	61379	SPRING ANCHOR BRACKET	1	EA
9	1116586	BEARING - SPRING ANCHOR PLUG	1	EA
10	47003640	SPRING ANCHOR PLUG - 2 1/2" I.D. SPRING	1	EA
11	N/A	FILLER PLUG - 2 1/2" I.D. SPRING	1	EA
12	47003641	SPRING - 2 1/2" I.D. - #5 X 30" LONG	1	EA
13	47003642	COUNTERBALANCE SHAFT - 58 3/4" LONG	1	EA
14	47003643	SPRING WINDING PLUG - 2 1/2" I.D. SPRING	1	EA
15	1116523	CABLE DRUM - R/H (CURBSIDE)	1	EA
16	N/A	HEX HEAD BOLT - 1/4" NC X 1 3/4"	2	EA
17	47003644	HEAD PROTECTOR	2	EA
18	N/A	LOCK WASHER - 1/4" I.D.	14	EA
19	N/A	HEX NUT - 1/4" NC	14	EA
20	PER S/N	HORIZONTAL TRACK - R/H (CURBSIDE)	1	EA
N/S	PER S/N	HORIZONTAL TRACK - L/H (ROADSIDE)	1	EA
21	61384	CABLE ASSEMBLY - 110" LONG	1	PR
22	47106602	BRUSH SIDE SEAL - 1" X 85.75" LONG	2	EA
23	47003648	BRUSH RETAINER - SIDE SEAL - 87" LONG	2	EA
24	PER S/N	WEATHERTITE TOP PANEL - 10 1/8"	1	EA
25	PER S/N	WEATHERTITE INTERM PANEL - 15"	3	EA
26	PER S/N	WEATHERTITE INTERM LOCK PANEL ASM. -15"	1	EA
27	PER S/N	WEATHERTITE BOTTOM PANEL - 15"	1	EA
28	47003653	SAFETY CHAIN LOCK ASSEMBLY	1	EA
29	76431026	STAINLESS STEEL SAFETY CHAIN W/XM - 3343 SLEEVE	1	EA
30	N/A	RIVET - STAINLESS STEEL - 1 1/8"	28	EA
31	47003674	PULL STRAP - 62" LONG (BLACK)	1	EA
32	47000827	PULL STRAP RETAINER	1	EA
33	N/A	SPLINED CARRIAGE BOLT - 1/4" NC X 1 1/2"	2	EA
34	47003675	CATCH MOUNTING PLATE - R/H (CURBSIDE)	1	EA
N/S	47003676	CATCH MOUNTING PLATE - L/H (ROADSIDE)	1	EA
35	N/A	STEP BOLT - 1/4" NC X 1 1/4" STAINLESS STEEL	8	EA
36	47003677	LOCK CATCH	2	EA
37	47000080	END LATCH - R/H (CURBSIDE)	1	EA
N/S	47000081	END LATCH - R/H (ROADSIDE)	1	EA
38	N/A	FLANGE LOCK NUT - 5/16" NC	4	EA

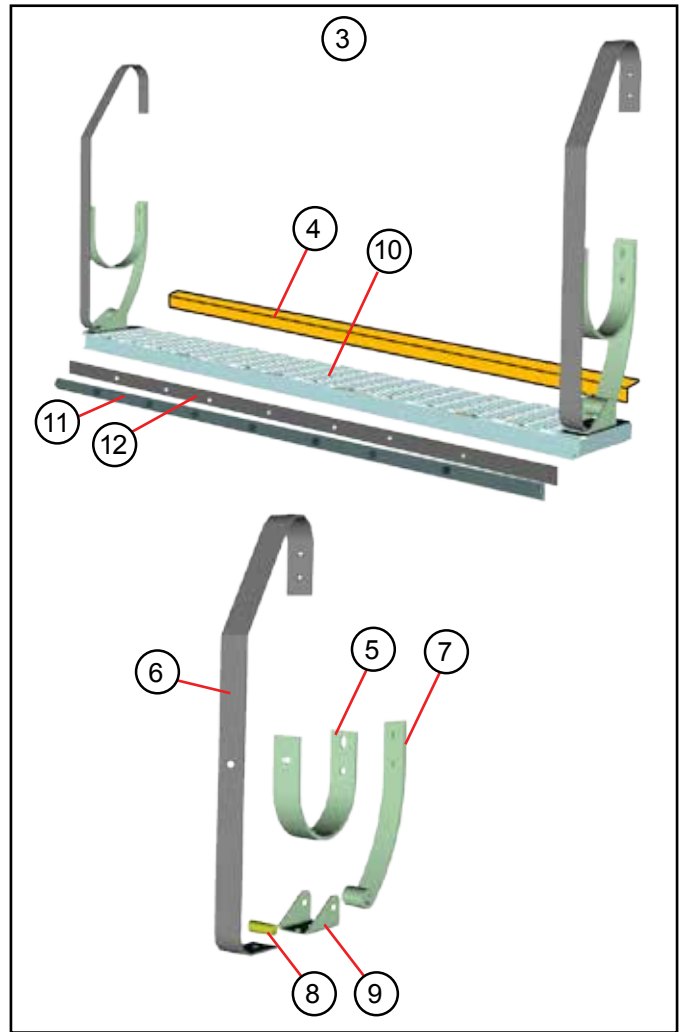
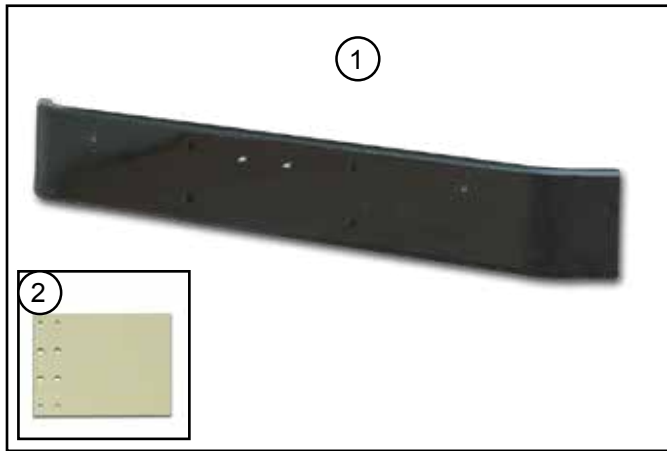
ITEM #	PART #	DESCRIPTION	QTY.	UNIT
39	47003678	LOCK CABLE ASSEMBLY - 24 - 9/16" LONG	2	EA
40	N/A	RIVET - STAINLESS STEEL - 1" LONG	46	EA
41	47003679	CENTER CONTROL ASSEMBLY	1	EA
42	1116535	PLAIN "L" HANDLE	1	EA
43	N/A	OVAL HEAD MACHINE SCREW - #10 - 32 X 1 1/4"	2	EA
44	47003680	BEST CYLINDER KIT - (NO CORE OR KEYS)	1	EA
45	N/A	FLAT WASHER - 1/4" I.D.	3	EA
46	47000082	TOP CAM CATCH	1	EA
47	N/A	LOCK NUT - 1/4" NC	1	EA
48	1116536	LIFT HANDLE	1	EA
49	47003681	RETAINING RING	1	EA
50	N/A	COTTER PIN - 3/32" DIA.	2	EA
51	47009923	CABLE ANCHOR BRACKET	2	EA
52	1116538	CABLE ANCHOR PIN	2	EA
53	47003682	LOCK COVER - ALUMINUM - 58 1/4" LONG	1	EA
54	N/A	1/4" POP RIVET	30	EA
55	47003683	BOTTOM SEAL - HEAVY DUTY - 58 3/4" LONG	1	EA
56	47003684	BOTTOM ANGLE - 53 3/4" LONG	1	EA
57	47003685	HEAVY DUTY BOTTOM FIXTURE - R/H (CURBSIDE)	1	EA
N/S	47003694	HEAVY DUTY BOTTOM FIXTURE - L/H (ROADSIDE)	1	EA
58	N/A	RIVET - STAINLESS STEEL - 1 1/4" LONG	4	EA
59	61360	ROLLER - SEALED	14	EA
60	47009917	SPACER WASHER - ROLLER	16	EA
61	61419	END HINGE	10	EA
62	61397	CENTER HINGE	10	EA
63	1116531	BASE - ADJUSTABLE TOP FIXTURE	2	EA
64	1116530	SLIDE - ADJUSTABLE TOP FIXTURE	2	EA
65	N/A	FLAT WASHER - 3/8" I.D.	2	EA
66	47009912	E-LOK BOLT - 3/8" NC	2	EA
67	PER S/N	HEAD SEAL RETAINER - 58 3/4" LONG	1	EA
68	PER S/N	BRUSH SIDE SEAL - 1" BRUSH	2	EA
N/S	PER S/N	BRUSH HEAD SEAL - 1-1/2" BRUSH	1	EA
69	N/A	DRIVE RIVET - 3/16" X 15/32" LONG	4	EA
70	47003690	HEAD SEAL RETAINER - 54" LONG	1	EA
N/S	47003691	SIDE RETAINER 86" -LONG	1	EA
71	47003692	BACK PLATE-TWO-POINT LOCK W/BEST CYLINDER	1	EA
72	47003693	TRACK CLOSE-OUT	2	EA
73	98775400	BRACKET SPACER AL .125X4X8.73	1	EA
74	148130400	SUPPORT TRACK AL.125X5.5X96.05	2	EA
75	83024136	PLATE MOUNTING TRACK STEEL 11GAX2.5X4	6	EA
76	92750304	ANGLE CLIP RUD AL 450196X1.5	2	EA
NS	098130400	SHIM RUD AL.25X3X41	1	EA
77	099001455	KICK PLATE DROP FLOOR ALD.08X3.85X28	1	EA
78	97435300	PLATE MOUNTING DRAIN AL .102X2.5X3.75	2	EA
79	47006607	VALVE DRAIN NAV #1675955C1	2	EA



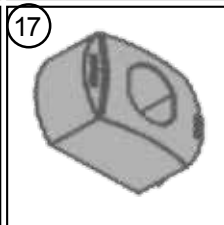
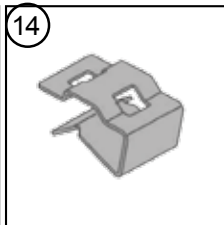
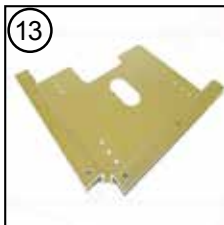
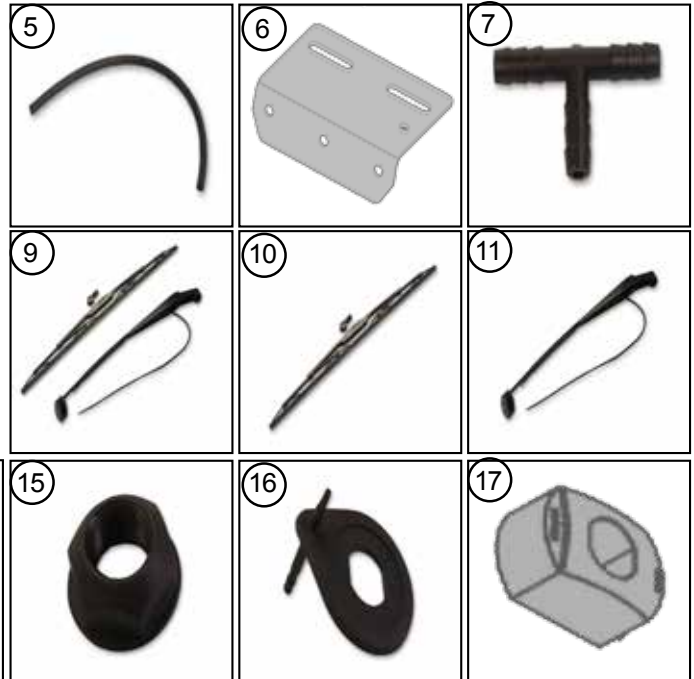
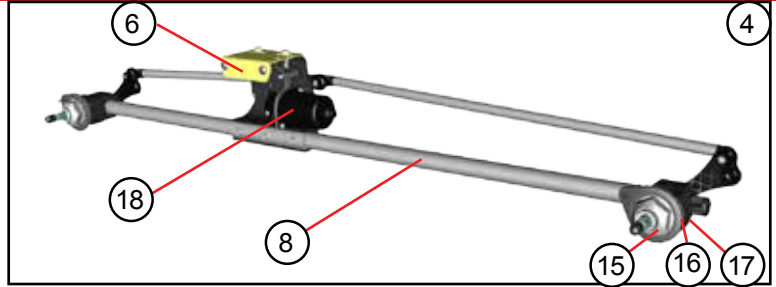
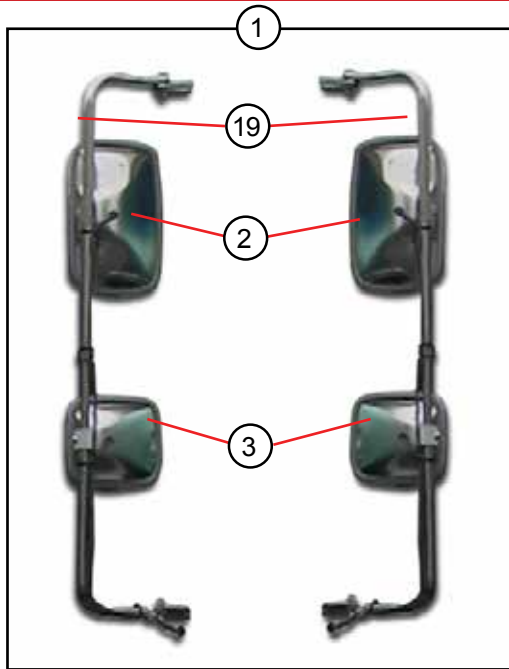


ITEM #	PART #	DESCRIPTION	QTY.	UNIT
1	148105406	SUPPORT SHELF AL.188X28.88X96.04 LH	1	EA
2	148105400	PANEL END AL.102X31.38X99.69 LH	1	EA
3	125105416	ARM SHELF AL.125X7.36X21.16 LH	7	EA
4	138105413	SHELF ARM AL.125X8.56X27.35 RH	7	EA
5	138105412	SHELF ARM AL.125X8.56X27.35 LH	8	EA
6	148105413	PANEL SHELF AL.102X31.44X144.81 LH	2	EA
7	002395431	ANGLE AL 450180X20.5 LH	2	EA
8	072105416	ANGLE AL 450180X24	2	EA
9	148105411	PANEL SHELF AL.188X24.35X37.71 LH FWD	2	EA
10	148105410	PANEL SHELF AL.188X24.35X36.42 LH CTR	2	EA
11	148105408	PANEL SHELF AL.188X24.35X38.4 LH AFT	2	EA
12	148105404	SUPPORT SHELF AL.188X20.56X41.12 LH	2	EA
13	148105402	SUPPORT SHELF AL.188X26.06X41.12 LH	1	EA
14	148105401	PANEL END AL.102X31.38X99.69 RH	1	EA
15	125105417	ARM SHELF AL.125X7.36X21.16 RH	11	EA
16	148105415	PANEL SHELF AL.102X31.44X183.25 RH (UPPER)	1	EA
17	148105414	PANEL SHELF AL.102X31.44X183.25 RH (LOWER)	1	EA
18	000524523	ANGLE SUPPORT AL 450180X12 RH	1	EA
19	148105407	SUPPORT SHELF AL.188X23.06X41.12 RH	1	EA
20	148105405	SUPPORT SHELF AL.188X20.56X41.12 RH	2	EA
21	148105403	SUPPORT SHELF AL.188X26.06X41.12 RH	1	EA
22	148105412	PANEL SHELF AL.188X24.35X48.04 RH	2	EA
23	148105410	PANEL SHELF AL.188X24.35X36.42 CTR	2	EA
24	148105409	PANEL SHELF AL.188X24.35X49.79 RH	2	EA
25	45400503	NET CARGO (HANGER CARGO NET - 096127434 x4)	4	EA
26	148105000	SHELF INSTALLATION ABOVE CABINATE (RYDER UNIT 518670 ONLY)	1	EA

Shown With Water Bottles For Illustration Purpose Only - Water Bottles Not Included

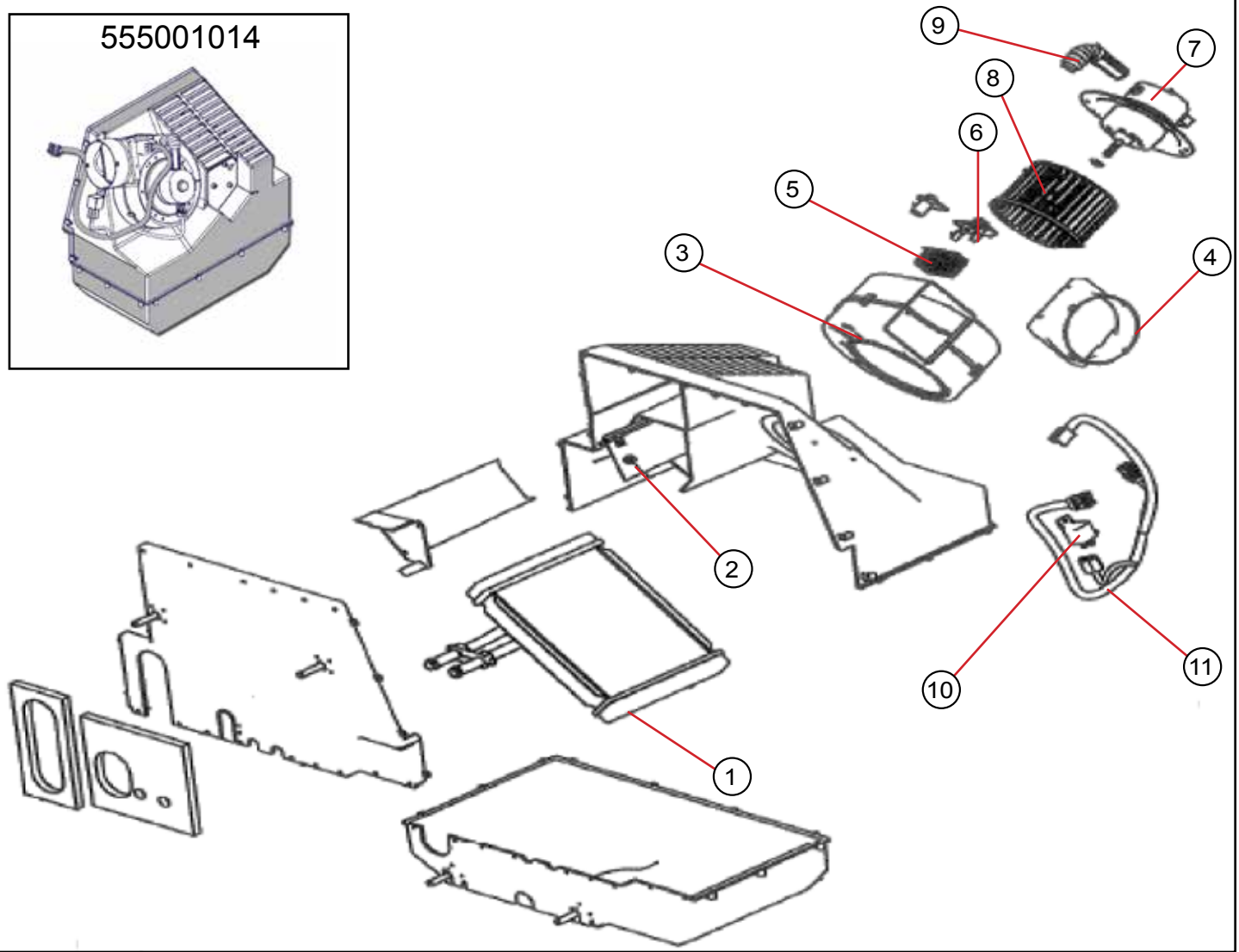
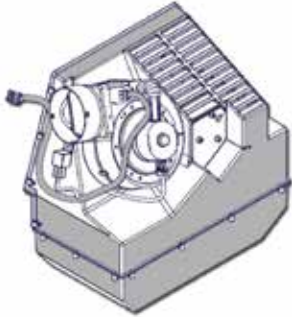


ITEM #	PART #	DESCRIPTION	QTY.	UNIT
1		BUMPER FRONT - SUPPLIED BY CHASSIS MFG.	1	EA
2	95806331	PLATE HANGER BUMPER STEEL .312X11X16.07	2	EA
3	118057002	BUMPER REAR 93W STEEL SGL SPRING	1	EA
4	89857310	ANGLE SILL REAR 86W AL 450191X82	1	EA
5	1101503	SPRING W/BRKT BUMPER MID	2	EA
6	47003995	SPRING BUMPER OUTER	2	EA
7	1101517	SPRING BUMPER INNER 72457014	2	EA
8	1107219	BUSHING .5X1X2.38	2	EA
9	72457013	BRACKET BUMPER REAR STEEL7GAX4.88X7.9	2	EA
10	47022600	WELDMENT REAR BUMPER 12" 93W 3LB	1	EA
11	44002020	PROTECTIVE BUMPER RUBBER DX90	1	EA
12	117057400	PLATE BACK BUMPER STEEL14GAX.88X90	1	EA

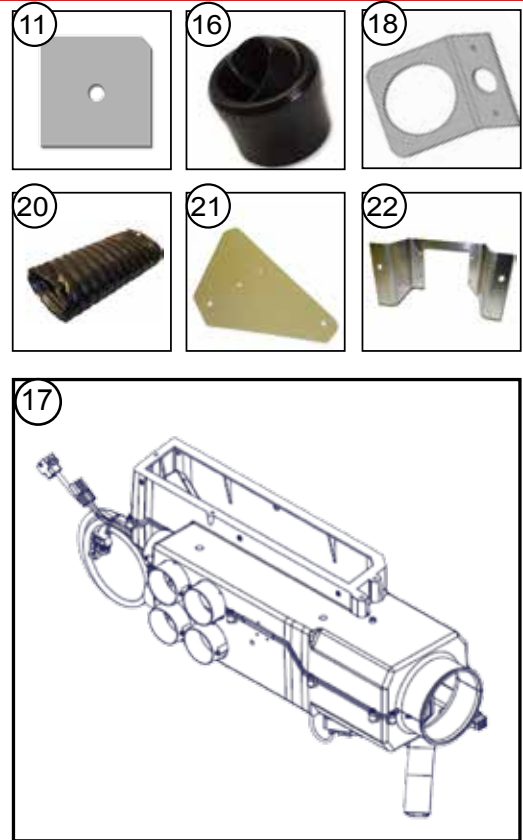
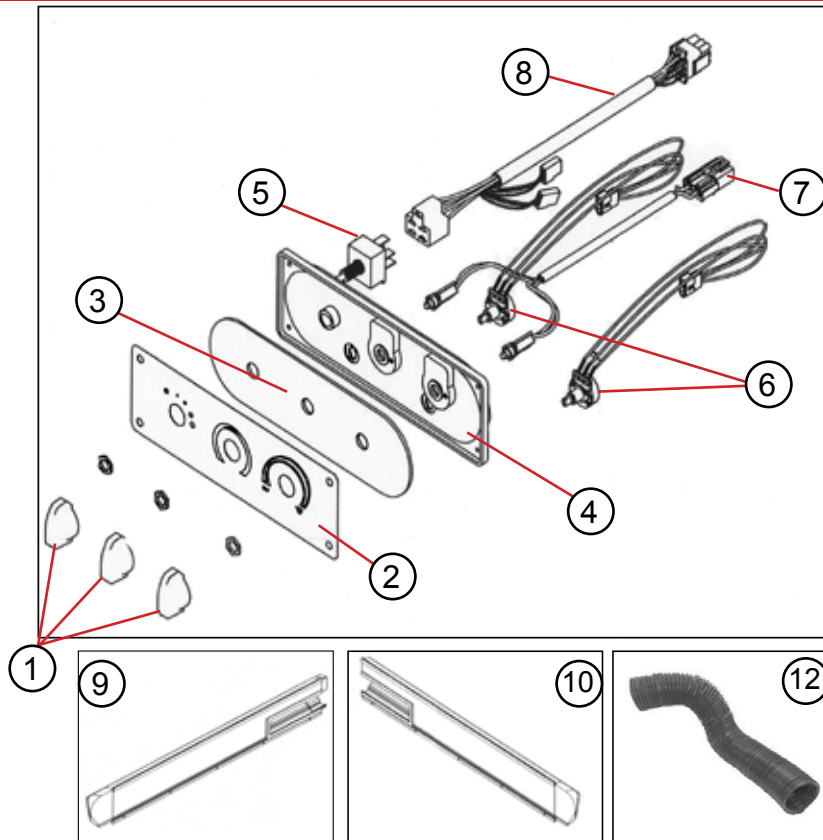


ITEM #	PART #	DESCRIPTION	QTY.	UNIT
1	007251004	MIRROR INSTALLATION	1	PR
2	47005584	MIRROR STAINLESS HEAD 6.5X10 (HEATED)	2	EA
3	47005585	MIRROR STAINLESS HEAD 6.5X6 (HEATED)	2	EA
4	117363001	WINDSHIELD WIPER INSTALLATION (INCLUDES ITEMS 5-8, 15-17)	1	EA
5	1107122	HOSE .188 ID WSW	12	FT
6	083055454	BRACKET WIPER MOTOR	1	EA
7	1101694	TEE WSWA U/T	1	EA
8	47004188	WIPER SYSTEM TBLR 2 PIVOT	1	EA
9	007363004	WIPER ARM WITH BLADE	1	EA
10	47004134	BLADE 24IN BLACK	1	EA
11	47004186	ARM WSW WET 22IN RADIAL BLACK	1	EA
12	47004137	RSVR W/PUMP WSWA	1	EA
13	003705413	BRACKET MOUNTING RSVR	1	EA
14	46021115	CLIP BODY LARGE PAN	1	EA
15	47005901	NUT	2	EA
16	47005902	PIVOT COVER	2	EA
17	47005903	SPACER	2	EA
18	47005900	MOTOR WINDSHIELD WIPER	1	EA
19	47005583	LOOP MIRROR STAINLESS	2	EA

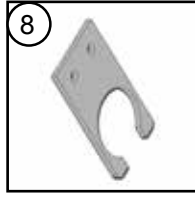
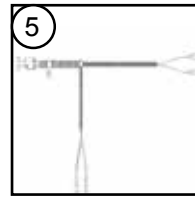
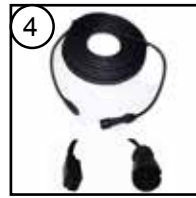
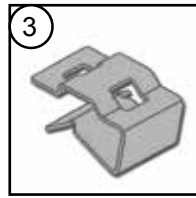
555001014



ITEM #	PART #	DESCRIPTION	QTY	UNIT
	555001014	HEATER CORE VCS# 70-07907	1	EA
1	47008760	HEATER COIL W/GASKET & CLAMP	1	EA
2	47008753	DOOR W/SEAL	1	EA
3	47008754	BLOWER HOUSING	1	EA
4	47008755	BLOWER ADAPTER	1	EA
5	47008732	RESISTER CAGE	1	EA
6	47008460	RESISTER	1	EA
7	47008756	BLOWER MOTOR	1	EA
8	47008757	BLOWER WHEEL	1	EA
9	47008730	VENT TUBE	1	EA
10	47008716	RELAY	1	EA
11	47008758	HARNESS	1	EA
NS	47008580	FORMED HEATER HOSE VCS#30-00611	2	EA
NS	555002053	VALVE WAT SCS #70-07754	1	EA
NS	090080004	DUCT FT DUMP SPCL	1	EA
NS	090080401	DUCT FT DUMP SPCL	1	EA



ITEM #	PART #	DESCRIPTION	QTY	UNIT
1	47008706	KNOB	3	EA
2	47008707	DECAL	1	EA
3	47008708	LIGHT PANEL	1	EA
4	47008709	CONTROL PANEL	1	EA
5	47008700	BLOWER SWITCH	1	EA
6	47008710	POTENTIOMETER SWITCH	2	EA
7	47008711	HARNESS W/BULBS	1	EA
8	47008712	HARNESS	1	EA
9	555001719	DEFROST DUCT CURBSIDE	1	EA
10	555001720	DEFROST DUCT ROADSIDE	1	EA
11	093080400	HOLD DOWN PLATE DEFROSTER DUCTS	4	EA
12	555001523	HOSE DEFROSTER 2.5X16	2	EA
12	555001524	HOSE DEFROSTER 2.5X30	2	EA
12	555001525	HOSE DEFROSTER 2.5x38	1	EA
NS	555002003	CLR FRESH SCS #01-06294	1	EA
16	555001715	LUVER BALL	6	EA
17	555001323	DUCT HVAC	1	EA
18	107027405	BRACKET HEATER VENT	1	EA
20	47008232	HOSE HEATER/DEFROSTER 5"X14"	1	EA
21	005780402	MOUNTING PLATE	1	EA
22	002080400	BRACKET HEATER CONTROL AL .102X3X11.67	1	EA
NS	555001533	HOSE BLOWER	1	EA
NS	47008594	CLAMP HEATER HOSE 24MM	6	EA
NS	555002006	PLENUM FA HVAC SIDE WALL	1	EA
NS	555002005	PLENUM FA HVAC TOEBOARD	1	EA
NS	555001532	HOSE FA HVAC 4" DIA	1	EA

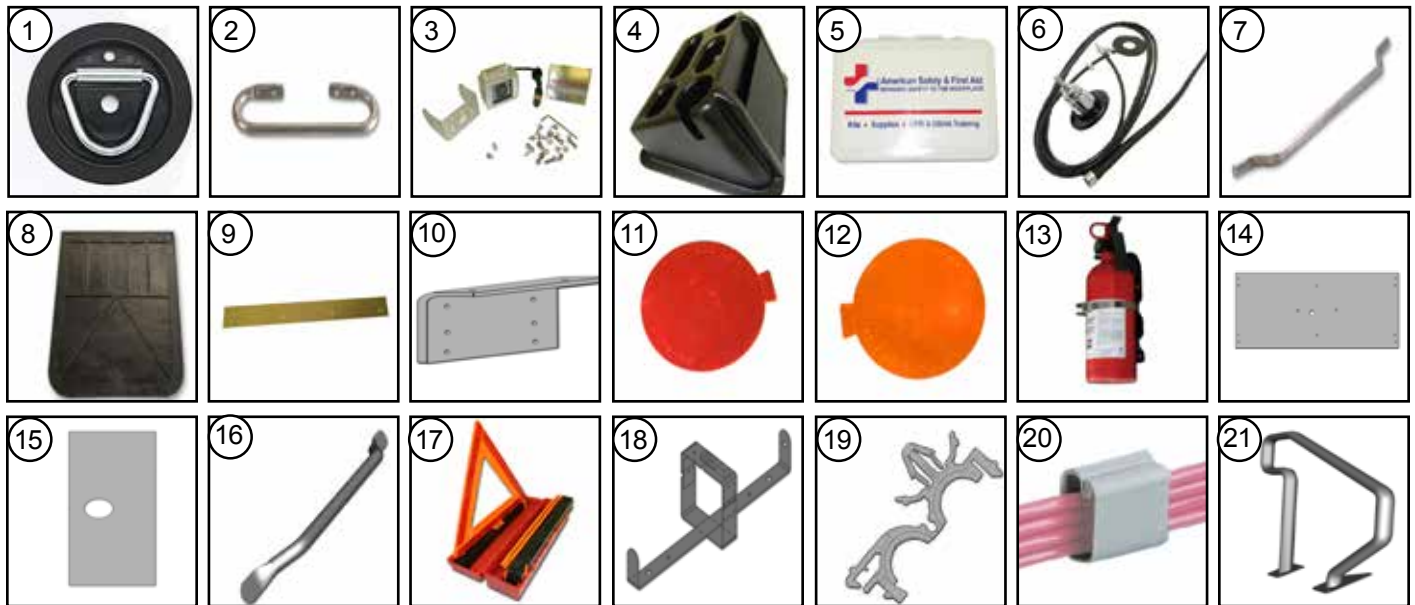


ITEM #	PART #	DESCRIPTION	QTY.	UNIT
1	46030011	FAN 2SPEED NO SWITCH 270CFM	1	EA
2	46023605	SWITCH ROCKER DASH FAN SPDT ON-OFF-ON	1	EA
3	46021115	CLIP LARGE BODY (SAME AS 005392206)	1	EA
3	46021114	CLIP MEDIUM BODY (SAME APPEARANCE AS ITEM 3)	1	EA
4	48200025	HARNESS - REAR CAMERA TO MONITOR 40FT	1	EA
5	46025591	HARNESS - SPEAKER WIRING	1	EA
NS	006385205	HARNESS - HOOD FBG M2 FCC 93W	1	EA
NS	147391200	HARNESS - ROOF NOSE	1	EA
NS	098084202	HARNESS - FUSE CENTER	1	EA
NS	098084203	HARNESS - INSTRUMENT PANEL	1	EA
NS	093093203	HARNESS - ROOF 21/24FT6IN M100	1	EA
NS	100081201	HARNESS - REAR LIGHTS S/T/T/ W/LOOM LED	1	EA
NS	100081202	HARNESS - ASSEMBLY ALARM B/U W/LOOM INCAN	1	EA
NS	093093205	HARNESS - TRANSOM CHMSL READY	1	EA
NS	148084200	HARNESS - COM CENTER FCC 2011	1	EA
NS	007381203	HARNESS - MID BODY MARKER	1	EA
NS	142086200	HARNESS - REAR WRG LH BACK PANEL D/FLR	1	EA
NS	142086201	HARNESS - REAR WRG RH BACK PANEL D/FLR	1	EA
NS	46010845	HARNESS - BACKUP ALARM	1	EA
NS	090093202	HARNESS JUMPER CARGO DOME LAMP	1	EA
NS	110094201	HARNESS - MONITOR MOD SVLCD MON	1	EA
NS	48200114	MONITOR BACK UP 5.6" CLR LCD DEKIT	1	EA
NS	46003017	LAMP INT WIPER	1	EA
NS	008300401	LABEL FUSE BLOCK FCC 2012 CURBSIDE	1	EA
NS	008300402	LABEL FUSE BLOCK FCC 2012 ROADSIDE	1	EA
NS	46023310	SWITCH WIPER INT SGL MTR D/PK W/WASH	1	EA
6	1111001	LAMP LICENSE PLATE SS 9369W	1	EA
7	46024513	ALARM BACK-UP	1	EA
8	090087401	PLATE FILLER WIRING	2	EA
NS	007388300	HARNESS JUMPER Y 1WR P&P X6 BACK UP ALARM	2	EA

**SEE PAGE 34 FOR WIRING HARNESS DIAGRAMS**

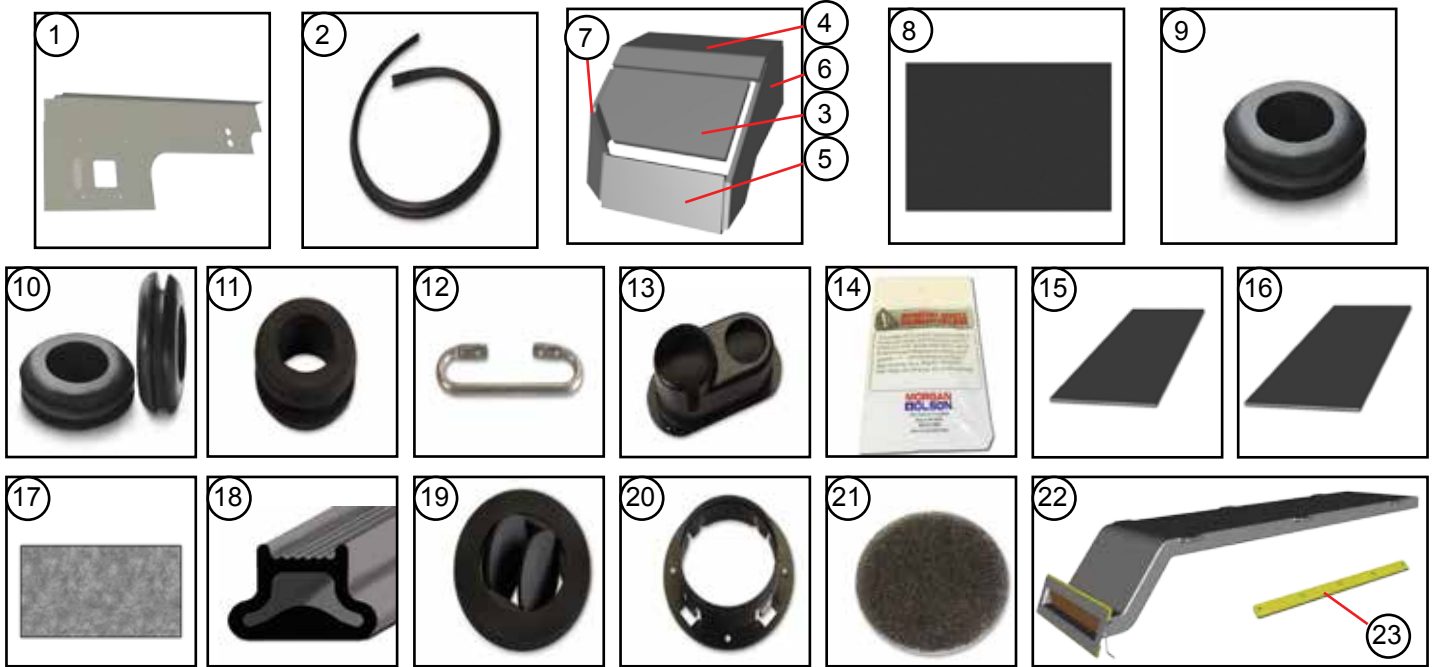


ITEM #	PART #	DESCRIPTION	QTY.	UNIT
1	46002634	LAMP DOME CLEAR CHROME (CAB) (BRACKET-100092400)	1	EA
2	46001342	GROMMET FOR CLEARANCE MARKERS	1	EA
3	46001339	LAMP CLEARANCE MARKER LED PC - AMBER X7	1	EA
3	46001344	LAMP CLEARANCE MARKER LED PC - AMBER X1	1	EA
3	46001362	LAMP CLEARANCE MARKER LED PC - AMBER X1	1	EA
4	46001340	LAMP CLEARANCE MARKER LED NO PC - RED X7	1	EA
5	46025594	RADIO AM/FM/WB/RBDS JEN	1	EA
6	46025590	SPEAKER 6.5 IN.	1	PR
7	46000307	HEADLAMP CURBSIDE	1	EA
8	46000308	HEADLAMP ROADSIDE	1	EA
9	46023508	SWITCH ROCKER CAB DOME SPST ON-OFF	1	EA
10	46023603	SWITCH ROCKER FRONT CARGO DOME SPDT ON-ON	1	EA
11	46023605	SWITCH ROCKER DASH FAN SPDT ON-OFF-ON	1	EA
12	46002222	LAMP REAR COMB LED	1	EA
13	46001406	LAMP B/U SEALED	1	EA
14	46004402	GROMMET 4" ROUND BLACK	1	EA
15	46012046	PIGTAIL STOP/TURN/TAIL LED	1	EA
16	46012048	PIGTAIL BACKUP LED IN	1	EA
17	46002638	LAMP DOME RECESSED LED	1	EA
18	100092401	BRACKET DOME LAMP	1	EA
19	46024513	ALARM BACK UP	1	EA
20	CFVCD5500	CHARGING DOCK MOTOROLA VCD5500	1	EA
NS	128023001	TRANSPONDER FSTNR I 7" CTRS	1	EA



ITEM #	PART #	DESCRIPTION	QTY.	UNIT
1	47006020	TIEDOWN RING (SUPPORT ANGLE AL450194X54 - 096127422)	26	EA
2	90187300	GRAB HANDLE .5DIA X15.7	3	EA
3	48200043	CAMERA KIT CLR	1	EA
NS	48200114	MONITOR B/U 5.6" CLR LCD DEKIT	1	EA
4	47009626	CENTER CONSOLE CUP HOLDER	1	EA
5	007301001	FIRST AID KIT - DSL/GAS W/O LOGO US RSK	1	EA
6	46025559	ANTENNA TP/SI MITO #10-CAM1CRM0	1	EA
7	98150310	GRAB HANDLE AL 450243X26.38 QTY 2	1	EA
8	1107309	MUD FLAPS 24X36 BLACK NO LOGO 1 PAIR	1	EA
9	7504428	RETAINER MUD FLAPS	1	EA
10	80795014	ANGLE RETAINER MUD FLAPS	1	EA
11	46025017	REFLECTOR RED SPITFIRE 2.88 DIA. X4	1	EA
12	46025018	REFLECTOR AMBER SPITFIRE 2.88 DIA. X2	1	EA
13	47009621	FIRE EXTINGUISHER W/BRACKET & MET STRAP	1	EA
14	100092400	BRACKET DOME LAMP MOUNTING (3 LOAD / 1 CAB)	1	EA
NS	95801001	TIE DOWN KIT	1	EA
15	78331095	PLATE TIE DOWN	1	EA
16	47001063	GRAB 1" AL 31.875L 2.75DP ANZ	1	EA
17	47009547	REFLECTOR KIT - TRIANGLES	1	EA
18	47009548	BRACKET REFLECTOR FLARE KIT	1	EA
19	46021301	CLAMP LOOM PUSH IN QTY-13	1	EA
20	47006615	CLIP WIRE GUIDES .75X.75 (1x1.5 - 47006617)	1	EA
21	47001056	RAIL GRAB RH TOEBOARD (SUPPORT ANGLE 001731405)	1	EA
NS	46024513	ALARM BACK UP	1	EA





ITEM #	PART #	DESCRIPTION	QTY.	UNIT
1	093116410	INSULATION DASH WALL	1	EA
2	1107270	SEAL ENGINE BOX LID	8	FT
3	098028401	ENGINE BOX INSULATION 42002056X13.55X28.25	1	EA
4	098005404	ENGINE BOX INSULATION 42002056X14.28X31.29	1	PR
5	098005405	ENGINE BOX INSULATION 42002056X15.09X33.05	1	EA
6	098005406	ENGINE BOX INSULATION 42002056X21.25X30.59	1	EA
7	098005407	ENGINE BOX INSULATION 42002056X19.58X30.72	1	EA
8	42002055	SOUND ABSORBING FLOOR MAT 60X95	0	EA
9	1107109	GROMMET	1	EA
10	44000052	GROMMET	5	EA
11	46004416	GROMMET 1ID .25 MATERIAL THICKNESS	1	EA
12	90187300	GRAB HANDLE .5DIAX15.7	3	EA
13	42007001	CUP HOLDER	0	EA
14	43004362	BAG PLASTIC DOCUMENT WALK-IN	1	EA
15	098137401	PLATE STEP FBG .125X7.75X22	1	EA
16	45400509	PLATE STEP FBG .125X10.38X22	1	EA
17	098137406	PLATE STEP FBG .125X10X16	3	EA
18	44004104	SEAL RUBBER FORWARD DOOR X89.25	2	EA
19	47008547	LUVER ROUND 3.12	2	EA
20	47008546	PANEL MOUNTING LUVER 3.12	2	EA
21	48000504	FILTER FM .25THKX4DIA	2	EA
22	47008802	DUCT VENT CAB / CARGO	1	EA
23	94010316	REINFORCEMENT VENT	2	EA
NS	007300098	FIC SIDE CART LOADING	1	EA
NS	47106593	SEAL SIDE RUBBER WTG#5377X93	2	EA

PAGE#	PART #	DESCRIPTION	QTY.	UNIT
34	48200025	HARNESS - REAR CAMERA TO MONITOR 40FT	1	EA
35	006385205	HARNESS - HOOD FBG M2 FCC 93W	1	EA
36	007381203	HARNESS - MID BODY MARKER	1	EA
37	007388300	HARNESS - JUMPER Y 1WR P&P X6 BACK UP ALARM	2	EA
38-39	147391200	HARNESS - ROOF NOSE	1	EA
40	46010845	HARNESS - BACKUP ALARM	1	EA
41	46025591	HARNESS - SPEAKER WIRING	1	EA
42	090093202	HARNESS - JUMPER CRG DOME LAMP	1	EA
43	142086200	HARNESS - REAR WRG LH BACK PANEL D/FLR	1	EA
44	142086201	HARNESS - REAR WRG RH BACK PANEL D/FLR	1	EA
45-46	093093203	HARNESS - ROOF 21/24FT6IN M100	1	EA
47	093093205	HARNESS - TRANSOM CHMSL READY	1	EA
48-51	098084203	HARNESS - INSTRUMENT PANEL	1	EA
52	100081201	HARNESS - A S/T/T/ W/LOOM LED	1	EA
53	100081202	HARNESS - ALARM B/U W/LOOM INCAN	1	EA
54	110094201	HARNESS - MONITOR MOD SVLCD MON	1	EA
55-56	148084200	HARNESS - COM CENTER FCC 2011	1	EA
57	098084202	HARNESS - FUSE CENTER	1	EA



# 006385205 HARNESS HOOD

# 006385205 HARNESS HOOD

DRAWING NO.	REV	DATE	BY
006385205	D		J.O.P.L.
REV.	DESCRIPTION	DATE	BY
A	WAS PED 12180294	TMC 08/27/88	
B	A1 & D1 GRAPHIC UPDATED	TMC 03/29/90	
C	18" WAS 9" AT "B"	TMC 04/09/90	
D	24" WAS 18"	TMC 03/29/90	

REV.	DESCRIPTION	DATE	BY
A	WAS PED 12180294	TMC 08/27/88	
B	A1 & D1 GRAPHIC UPDATED	TMC 03/29/90	
C	18" WAS 9" AT "B"	TMC 04/09/90	
D	24" WAS 18"	TMC 03/29/90	



9. SPLIT POLYPROPYLENE LOOM, BACK WITH GREEN STRIPE OR NYLON, BLACK WITH GRAY STRIPE, PREFERRED TO USE THE SMALLEST PITCHED SIZE UNLESS OTHERWISE SPECIFIED ON THE DRAWING.
- B. VENDOR MAY REPLACE THE APPROVED MOLDS OR CONNECTORS. PIGTAILS SHOWN IN TERMINAL VIEW.
7. HARNESS TO BE TESTED FOR CONTINUITY, SHORTS, AND CONTINUITY.
6. CONNECTORS SHOWN FROM WIRE ENTRY SIDE, UNLESS OTHERWISE NOTED.
5. SPLICES TO BE AUTOMATED WITH HEAT SHRINK TUBING. HEAT SHRINK BUTT SPLICES ARE ACCEPTABLE FOR M-O FABRICATION IF NECESSARY.
4. TAPE (1111095): 6" AT BREAKOUTS AND 2" AT LOOM ENDS.
3. HARNESS TO HAVE A LABEL SHOWING MORGAN OLSON PART NUMBER, REVISION MANUFACTURE.
2. SPLIT POLY LOOM UNLESS OTHERWISE NOTED.
  1. GAL WIRE.

NOTES:

PROPRIETARY

This drawing is the property of Morgan Olson. It is to be used only for the manufacture of the part specified and is not to be used for any other purpose without the written consent of Morgan Olson.

MORGAN OLSON

7700 W. 40TH AVENUE, DENVER, CO 80231

1. ORDER NO. 006385205

2. PART NO. 006385205

3. PART NO. 006385205

4. ORDER NO. 006385205

DATE	BY	REV.
23MAY06	TMC	05-0857
DATE	BY	REV.
23MAY06	TMC	05-0857
DO NOT SCALE		
RISK		
HARN HOOD F/G		
M2 FCC 2006		
DRAWING NO.	SCALE	REV.
006385205	NONE	D

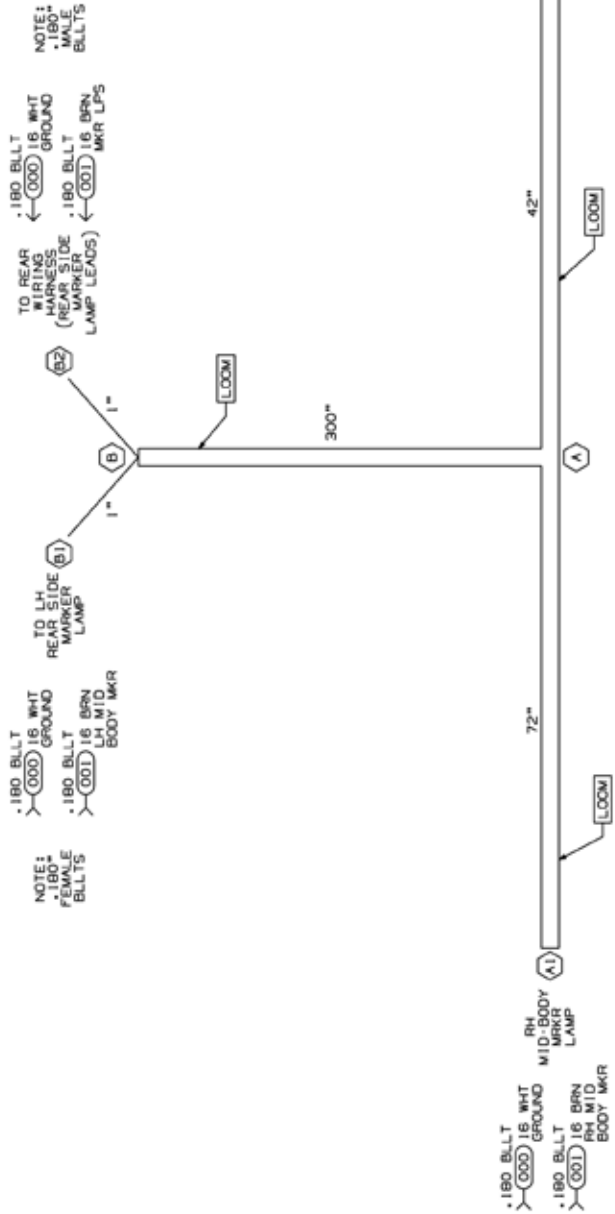
HARNESS AND LOOM TOLERANCES	
UP TO 60" : -0/+2"	
60" TO 100" : -0/+4"	
100" TO 200" : -0/+5"	
200" TO 400" : -0/+6"	
400" TO 600" : -0/+7"	
OVER 600" : -0/+8"	
BO TO BO : -0/+2"	
TOLERANCE IS NOT ACCUMULATIVE. LENGTH APPLIES TO OVERALL HARNESS LENGTH, BREAKOUT TO END, OR LOOM.	

# 007381203 MID BODY MARKERS

## 007381203 MID BODY MARKERS

DRAWING NO.	REV	SHT
007381203		LOF1
DESCRIPTION		
RELEASE TO PRODUCTION		

CIRCUIT GAUGE	COLOR	END POINTS	FUNCTION
000	16 WHT	A1, A2, B1, B2	GROUND
001	16 BRN	A1, A2, B1, B2	SIDE MARKER LAMPS



1. GXL WIRE.
2. SPLIT POLY LOOM UNLESS OTHERWISE NOTED.
3. HARNESS TO HAVE A LABEL SHOWING MORGAN OLSON PART NUMBER, REVISION LEVEL, AND DATE OF MANUFACTURE.
4. TAPE (1111086): 6" AT BREAKOUTS AND 2" AT LOOM ENDS.
5. SPLICES TO BE AUTOMATED WITH HEAT SHRINK TUBING. HEAT SHRINK BUTT SPLICES ARE ACCEPTABLE FOR M-O FABRICATION IF NECESSARY.
6. CONNECTORS SHOWN FROM WIRE ENTRY SIDE, UNLESS OTHERWISE NOTED.
7. HARNESS TO BE TESTED FOR CONTENT, OPENS, SHORTS, AND CONTINUITY.
8. VENDOR MAY REPLACE PIGTAILS WITH WIRING TO APPROVED JOLDING OR APPROVED MORGAN OLSON SHOWN IN TERMINAL VIEW.

NOTE:  
 .180 BLT (000) 16 WHT GROUND  
 .180 BLT (001) 16 BRN LH MID BODY MKR

HARNESS AND LOOM TOLERANCES

UP TO 60"	: -0/+2"
60" TO 100"	: -0/+4"
100" TO 200"	: -0/+5"
200" TO 400"	: -0/+8"
400" TO 600"	: -0/+7"
OVER 600"	: -0/+8"

TOLEANCE IS NOT ACCUMULATIVE. LENGTH APPLIES TO OVERALL HARNESS LENGTH, BREAKOUT TO END, OR LOOM.

PROPRIETARY  
 THIS DRAWING IS THE PROPERTY OF MORGAN OLSON. IT IS TO BE USED ONLY FOR THE MANUFACTURE OF THE PARTS IDENTIFIED HEREIN. IT IS NOT TO BE REPRODUCED OR TRANSMITTED IN ANY FORM OR BY ANY MEANS, ELECTRONIC OR MECHANICAL, INCLUDING PHOTOCOPYING, RECORDING, OR BY ANY INFORMATION STORAGE AND RETRIEVAL SYSTEM. ALL RIGHTS ARE RESERVED. © 2008 MORGAN OLSON. MORGAN OLSON IS A REGISTERED TRADEMARK OF MORGAN OLSON. MORGAN OLSON PART NUMBER: 007381203. DATE: 02/21/08. DRAWN BY: J. J. JONES. CHECKED BY: J. J. JONES. APPROVED BY: J. J. JONES. MORGAN OLSON SERVICE PARTS, 1.800.233.4823.

**MORGAN OLSON**

GENERAL INFORMATION: MORGAN OLSON SERVICE PARTS, 1.800.233.4823. MORGAN OLSON SERVICE PARTS, 1.800.233.4823. MORGAN OLSON SERVICE PARTS, 1.800.233.4823.

DATE	TMC	TMC	DB-0001
02/JAN/08	02/JAN/08	02/JAN/08	02/JAN/08

DO NOT SCALE

HARNESS MID-BODY MARKERS  
 2008 TRUCK  
 PAPER 180 BLLTS

SHT	SCALE
LOF1	NONE

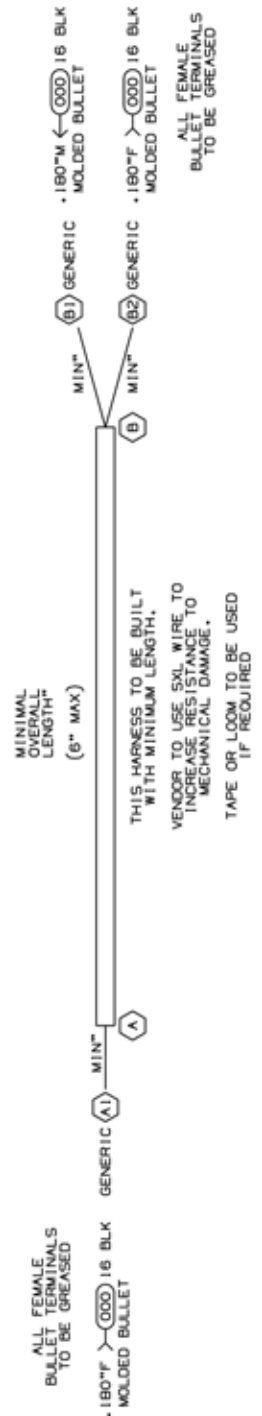
DRAWING NO. 007381203

# 007388300 JUMPER 6" "Y"

# 007388300 JUMPER 6" "Y"

DRAWING NO.		REV	SHT
007388300			1 OF 1
REV.	DESCRIPTION	DATE	
	RELEASE TO PRODUCTION		

CIRCUIT	DESCRIPTION	END POINTS	FUNCTION
000	16 BLK	A1, B1, B2	GENERIC



8. VENDOR MAY REPLACE PIGTAILS WITH WIRING TO APPROVED MOLDINGS OR CONNECTORS. PIGTAILS SHOWN IN TERMINAL VIEW.
7. HARNESS TO BE TESTED FOR CONTENT, OPENS, SHORTS, AND CONTINUITY.
6. CONNECTORS SHOWN FROM THE INSIDE UNLESS OTHERWISE NOTED.
5. SPLICES TO BE AUTOMATED WITH HEAT-SHRINK TUBING. HEAT-SHRINK BUTT SPLICES ARE ACCEPTABLE FOR FIELD FABRICATION IF NECESSARY.
4. TAPE [1111098] 8" AT BREAKOUTS AND 2" AT LOOM ENDS.
3. HARNESS TO HAVE A LABEL SHOWING MORGAN OLSON PART NUMBER, REVISION LEVEL, AND DATE OF MANUFACTURE.
2. SPLIT POLY LOOM UNLESS OTHERWISE NOTED.

### 1. SXL WIRE.

NOTES:

**PROPRIETARY**  
 THIS DRAWING AND THE INFORMATION AND DATA CONTAINED HEREIN ARE THE PROPERTY OF MORGAN OLSON SERVICE PARTS. NO PART OF THIS DRAWING OR INFORMATION IS TO BE REPRODUCED OR TRANSMITTED IN ANY FORM OR BY ANY MEANS, ELECTRONIC OR MECHANICAL, INCLUDING PHOTOCOPYING, RECORDING, OR BY ANY INFORMATION STORAGE AND RETRIEVAL SYSTEM, WITHOUT THE WRITTEN PERMISSION OF MORGAN OLSON SERVICE PARTS.

**MORGAN OLSON**

MATERIAL STANDARDS UNLESS OTHERWISE SPECIFIED	
1. WIRE: SXL 16 BLK	2. POLYURETHANE TUBING: 1/8" O.D. 1/16" WALL
3. TAPE: 1111098	4. HEAT-SHRINK TUBING: 1/8" O.D. 1/16" WALL
5. BULLET TERMINALS: 1/8" O.D. 1/16" WALL	6. BULLET TERMINALS: 1/8" O.D. 1/16" WALL
TMC	TMC
09JUL07	07-0743
09JUL07	09JUL07
DO NOT SCALE	
HARNESS JUMPER 6" "Y" (180P TO 180P/180N)	
SHT	SCALE
1 OF 1	NONE
PART NUMBER: 007388300	

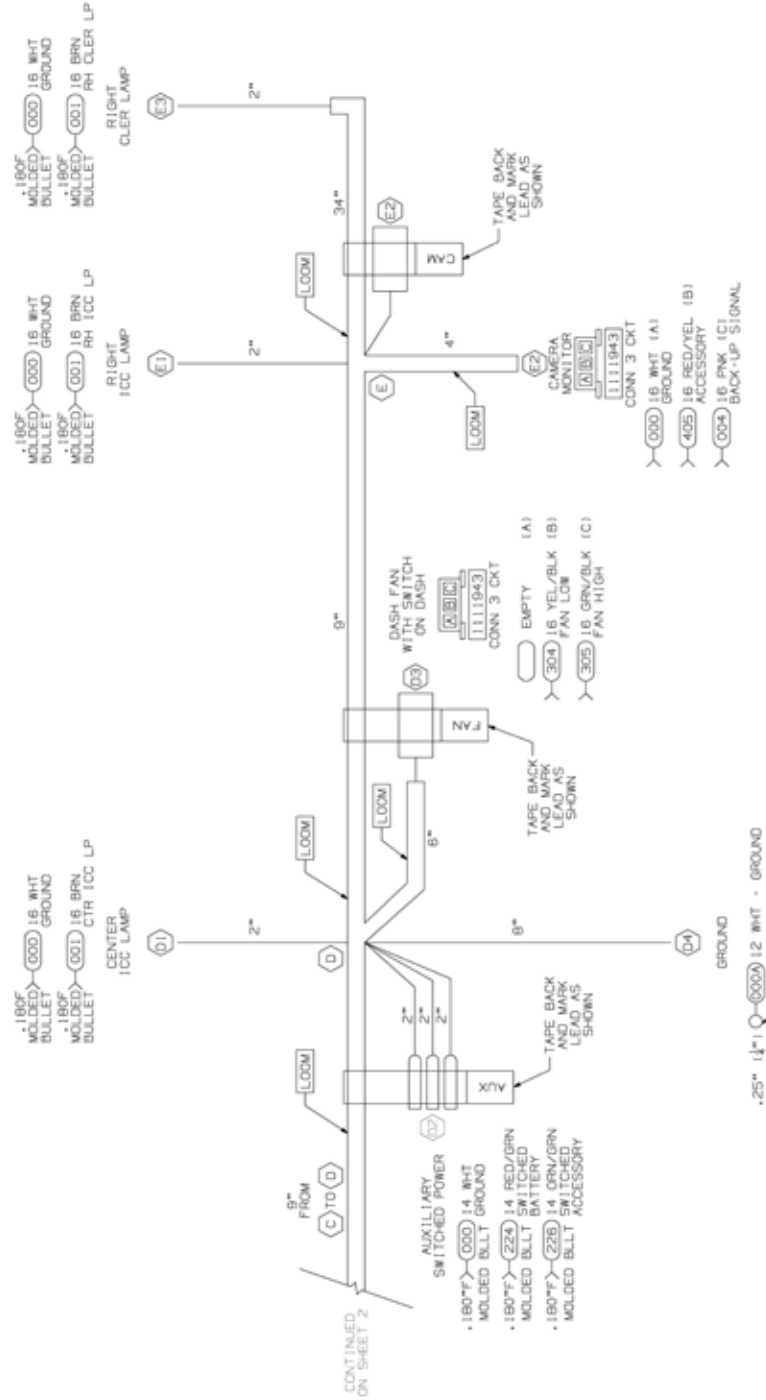
HARNESS AND LOOM TOLERANCES	
UP TO 60"	= -0/+2"
60" TO 100"	= -0/+4"
100" TO 200"	= -0/+5"
200" TO 400"	= -0/+8"
400" TO 600"	= -0/+7"
OVER 600"	= -0/+8"
BO TO BO	= -0/+2"
TOLERANCE IS NOT APPLICABLE TO OVERALL HARNESS LENGTH, BREAKOUT TO END, OR LOOM.	

FIRST USE:  
 BASIC CIRCUIT  
 SPLITTER

# 147391200 1/2 ROOF NOSE

# 147391200 1/2 ROOF NOSE

PRINTING NO.	REV	SHT
147391200	REL	1 of 2
DESCRIPTION		
RELEASE FOR PRODUCTION		



10. VENDOR TO GREASE FEMALE BULLET TERMINALS.
9. THIS IS A PURCHASED HARNESS. NO BULL OF MATERIAL EXISTS.
8. VENDOR MAY REPLACE PIGTAILS WITH WIRING TO CONFORM TO THE HARNESS CONNECTOR PIGTAILS SHOWN IN TERMINAL VIEW.
7. HARNESS TO BE TESTED FOR CONTINUITY, SHORTS, AND CONTINUITY.
6. CONNECTORS SHOWN FROM WIRE ENTRY SIDE, UNLESS OTHERWISE NOTED.
5. SPLICES TO BE AUTOMATED WITH SOLDER, AND ADHESIVE LINED HEAT SHRINK TUBING.
4. TAPE (1111090) 6" AT BREAKOUTS. AT 18" BREAKOUTS, TAPE LENGTHS GREATER THAN 24" AND 2" AT LOOM ENDS.
3. HARNESS TO HAVE A LABEL SHOWING MORGAN OLSON PART NUMBER, REVISION LEVEL, AND DATE OF MANUFACTURE.
2. SPLIT POLY LOOM UNLESS OTHERWISE NOTED.
1. GXL WIRE.

NOTES:  
 PROPRIETARY  
 THIS HARNESS IS THE PROPERTY OF MORGAN OLSON. IT IS TO BE USED ONLY FOR THE EQUIPMENT AND PARTS LISTED. IT IS NOT TO BE REPRODUCED OR COPIED IN ANY MANNER WITHOUT THE WRITTEN PERMISSION OF MORGAN OLSON. © 2014 MORGAN OLSON. ALL RIGHTS RESERVED.



DATE	BY	CHKD
11MAR14	11MAR14	42844
DO NOT SCALE		
HARN. ROOF NOSE 91" HIGH		
REV	DATE	BY
1	147391200	NONE
2	147391200	REL

HARNES AND LOOM TOLERANCES

UP TO 80"	-0/+2"
80" TO 100"	-0/+4"
100" TO 200"	-0/+5"
200" TO 400"	-0/+6"
400" TO 600"	-0/+7"
OVER 600"	-0/+8"
80 TO 80"	-0/+2"

LENGTHS APPLY FROM BREAKOUT TO BREAKOUT. ENTRY SIDE OF CONNECTOR, OR END OF COVER.

BASED ON  
007391210

# 147391200 2/2 ROOF NOSE

# 147391200 2/2 ROOF NOSE

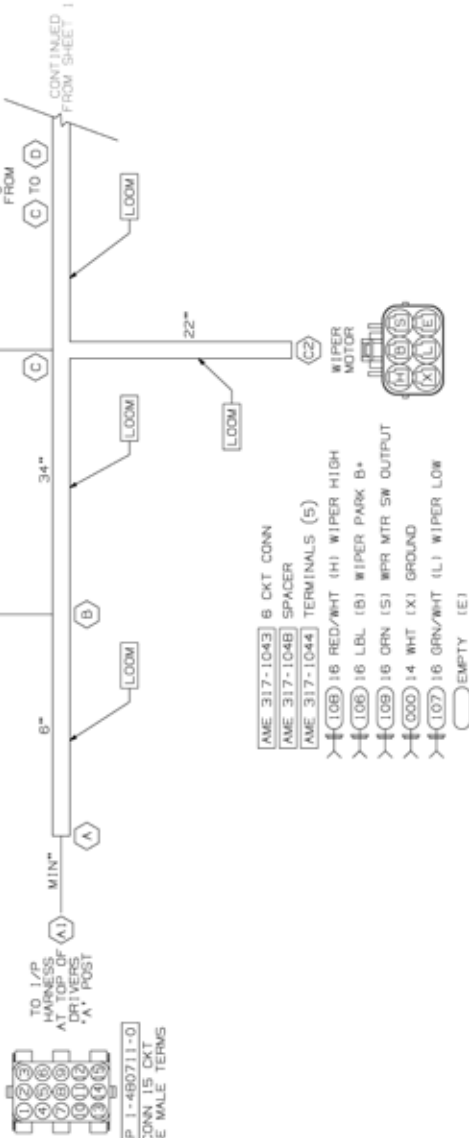
DRAWING NO.	147391200	REV	REL	SHT
			2 of 2	
DESCRIPTION	RELEASE FOR PRODUCTION			

CIRCUIT	GA/COLOR	END POINTS	FUNCTION
109	16 GRN	A1,C2	WIPER PK SWITCH OUTPUT
224	14 RED/GRN	A1,D2	BATTERY - SWITCHED
226	14 ORN/GRN	A1,D2	ACCESSORY - SWITCHED
304	16 YEL/BLK	A1,D3	DASH FAN LOW
305	16 GRN/BLK	A1,D3	DASH FAN HIGH
405	16 RED/YEL	A1,E2	AUXILIARY ACCESSORY

CIRCUIT	GA/COLOR	END POINTS	FUNCTION
000A	12 WHT	A1,D4,SPLICE 1	GROUND
000	14/16 WHT	B1,C1,C2,D1,D2,E1,E2,E3,SPLICE 1	GROUND
001	16 BRN	A1,B1,C1,D1,E1,E3	CLEARANCE/ICC LPS
004	16 PNK	A1,E2	BACK-UP SIGNAL
106	16 LBL	A1,C2	WIPER PARK SWITCH B*
107	16 GRN/WHT	A1,C2	WIPER LOW
108	16 RED/WHT	A1,C2	WIPER HIGH

SPLICE 1  
000A, 12 WHT IS TO BE  
SPliced TO THE  
000 WHT CIRCUIT,  
VELOC TO DETERMINE  
LOCATION(S)

- ← 000A 12 WHT (1) GROUND
- ← 001 16 BRN (2) CLEARANCE/ICC LAMPS
- ← 004 16 PNK (3) BACK-UP SIGNAL
- ← 106 16 LBL (4) WIPER PARK SWITCH B\*
- ← 107 16 GRN/WHT (6) WIPER LOW
- ← 108 16 RED/WHT (7) WIPER HIGH
- ← 109 16 GRN (9) WIPER PARK SW OUTPUT
- ← 224 14 RED/GRN (10) BATT (5W)
- ← 226 14 ORN/GRN (12) ACCY (5W)
- ← 304 16 YEL/BLK (13) FAN LOW
- ← 305 16 GRN/BLK (14) FAN HIGH
- ← 405 16 RED/YEL (15) ACCESSORY



- AME 317-1043 8 DKT CONN
- AME 317-1048 SPACER
- AME 317-1044 TERMINALS (5)
- 106 16 RED/WHT (4) WIPER HIGH
- 108 16 LBL (8) WIPER PARK B\*
- 109 16 GRN (5) WFR MTR SW OUTPUT
- 000 14 WHT (X) GROUND
- 107 16 GRN/WHT (L) WIPER LOW
- EMPTY (E)

AMP 1-480711-0  
CONN 15 DKT  
USE MALE TERMS

PROPRIETARY  
This drawing and the information and data contained hereon are the property of Morgan Olson Service Parts, Inc. and are not to be distributed, copied, or used in any way without the written consent of Morgan Olson.

**MORGAN OLSON**  
SERVICES

GENERAL HEADQUARTERS: 147391200  
1. WALKER, J. A. JRD  
2. WALKER, J. A. JRD  
3. WALKER, J. A. JRD  
4. WALKER, J. A. JRD  
5. WALKER, J. A. JRD  
6. WALKER, J. A. JRD  
7. WALKER, J. A. JRD  
8. WALKER, J. A. JRD  
9. WALKER, J. A. JRD  
10. WALKER, J. A. JRD  
11. WALKER, J. A. JRD  
12. WALKER, J. A. JRD  
13. WALKER, J. A. JRD  
14. WALKER, J. A. JRD  
15. WALKER, J. A. JRD

DATE: 11MARI14  
SCALE: DO NOT SCALE  
PART NO.: 147391200  
REV: 2 of 2

# 46010845 DBL MALE JMPR

# 46010845 DBL MALE JMPR

46010845

STRIPPING DETAIL

STRIPPING DETAIL

NOTE 1

REVISION HISTORY

REV	DATE	DESCRIPTION	EDN	DRN	APVD
0	3-5-99	RELEASE	1	3460	PROZ

TRUCK-LITE

TRUCK-LITE CO., INC.  
FALCONER, NEW YORK USA

46010845

95242 48 48

HARN - DBL MALE JMPR

99-0800

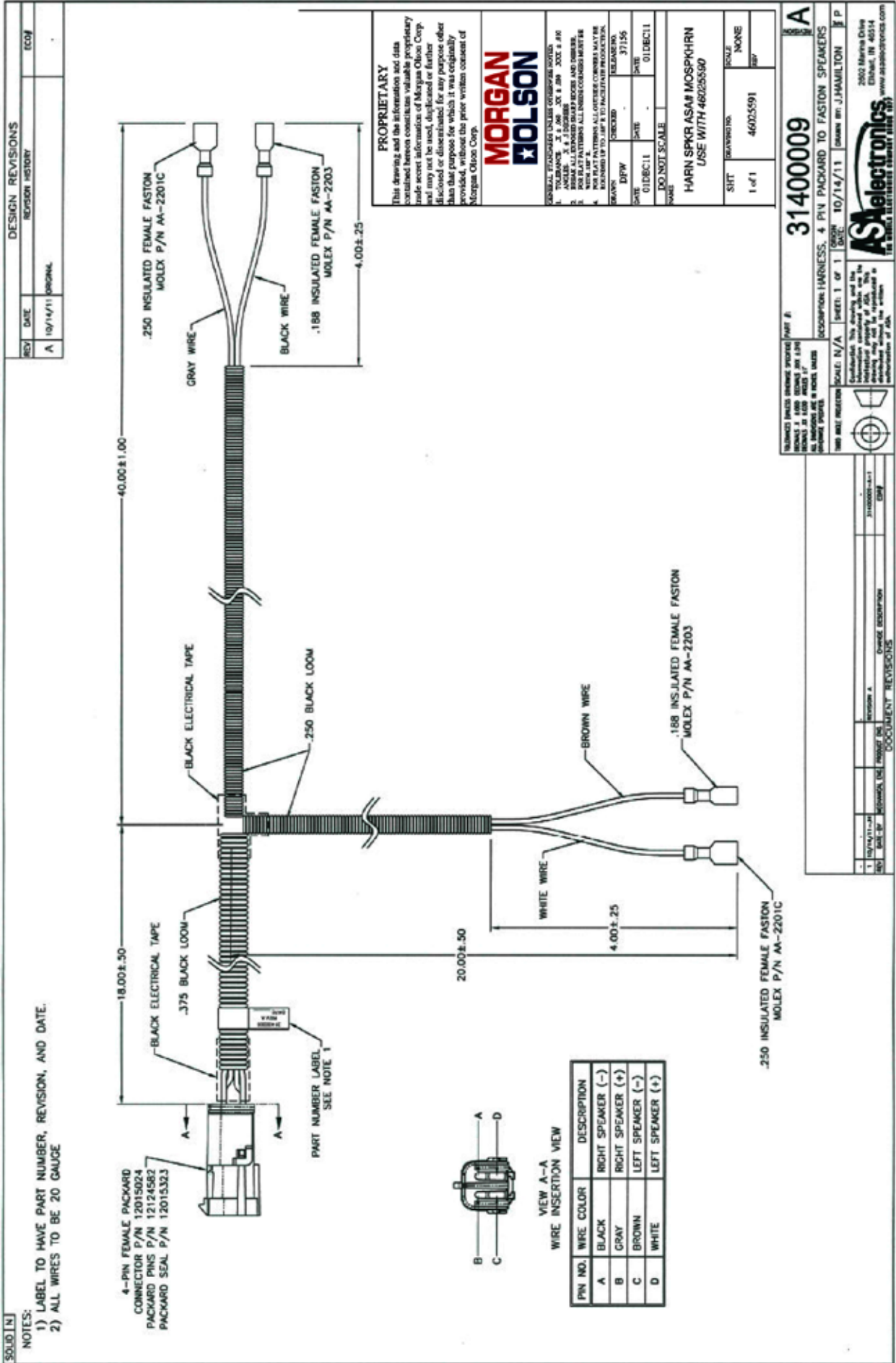
ITEM PART NO. DWG. NO. DESCRIPTION REQ.

6	8541	-----	SOLDER CONCENTRATE	.00014
5	8538	-----	SOLDER	.00200
4	2956	13394A	BULLET MOLD #2102	.00448
3	6006	05859B	TERM-#10 RING	2
2	6034	05865B	TERM-.180 BULLET	2
1	5106	13618B	2 COND CABLE, 14GA, FLAT 'B'	



# 46025591 SPEAKER WIRING

# 46025591 SPEAKER WIRING



# 090093202 HARNESS D/LMP

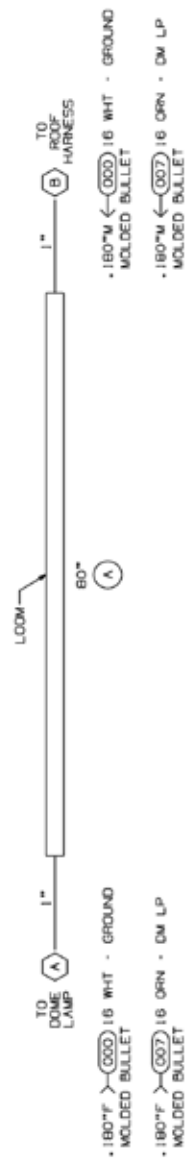
# 090093202 HARNESS D/LMP

DRAWING NO.	REV.	SHEET
090093202	A	1 OF 1
RELEASE FOR PRODUCTION		
A	80" WAS 64"	REV. 5/2002

9. THIS IS A PURCHASED HARNESS. NO BILL OF MATERIAL EXISTS.
8. VENDOR MAY REPLACE PIGTAILS WITH WIRING TO APPROVED MOLDINGS OR CONNECTORS. PIGTAILS SHOWN IN TERMINAL VIEW.
7. HARNESS TO BE TESTED FOR CONTENT, OPENS, SHORTS, AND CONTINUITY.
6. CONNECTORS SHOWN FROM THE VIEWER'S SIDE, UNLESS OTHERWISE NOTED.
5. SPLICES TO BE AUTOMATED WITH SOLDER, AND ADHESIVE LINED HEAT SHRINK TUBING.
4. TAPE (1111092) 6" AT BREAKOUTS. A 1/8" BREAKOUT IS REQUIRED FOR ALL TERMINATED LOOM LENGTHS GREATER THAN 24" AND 2" AT LOOM ENDS.
3. HARNESS TO HAVE A LABEL SHOWING MORGAN OLSON PART NUMBER, REVISION LEVEL, AND DATE OF MANUFACTURE.
2. SPLIT POLY LOOM UNLESS OTHERWISE NOTED.
1. GXL WIRE.

PROPRIETARY	
This drawing and the information contained hereon are the property of Morgan Olson and are not to be distributed, copied, or used in any way without the written consent of Morgan Olson. If you are not an authorized recipient, please notify Morgan Olson at 1.800.233.4823.	
<b>MORGAN OLSON</b>	
MORGAN OLSON VALUE STREAM MAPPING	
DATE	REV.
26OCT09	28B16
DATE	DATE
26OCT09	26OCT09
DO NOT SCALE	
HARN FOR CAB D/LP	
GEN 1160811	
SHEET	SCALE
1 OF 1	NONE
DRAWING NO.	REV.
090093202	A

HARNESS AND LOOM TOLERANCES	
UP TO 60" : -0/+2"	
60" TO 100" : -0/+4"	
100" TO 200" : -0/+8"	
200" TO 400" : -0/+8"	
400" TO 600" : -0/+7"	
OVER 600" : -0/+8"	
60 TO 50 : -0/+2"	
LENGTHS APPLY FROM BREAKOUT TO BREAKOUT, OR BREAKOUT TO WIRE ENTRY SIDE OF CONNECTOR, OR END OF COVER.	



•180" F > (000) 16 WHT - GROUND MOLDED BULLET

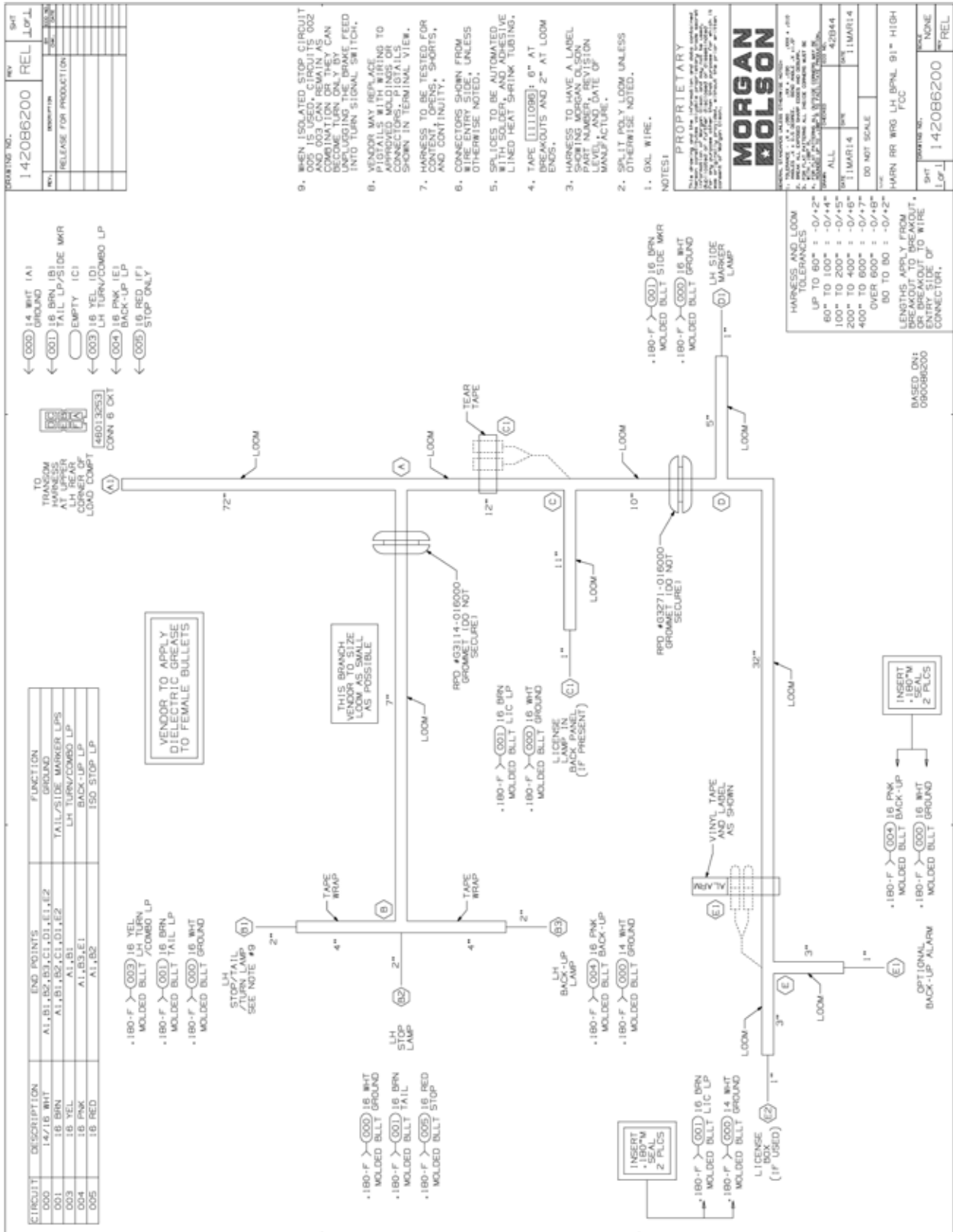
•180" F > (007) 16 ORN - DM LP MOLDED BULLET

FEMALE BULLET TERMINALS TO BE GREASED

FIRST USE:  
CV100632  
BASED ON:  
007368326

# 142086200 REAR WIRING

# 142086200 REAR WIRING



# 092086203 REAR WIRING

# 092086203 REAR WIRING

DRAWING NO. 142086201		REV. REL 10/1	SHT
DESCRIPTION		RELEASE FOR PRODUCTION	
<p>WHEN ISOLATED STOP CIRCUIT OPEN IS USED, CIRCUIT OPEN CAN REMAIN AS COMBINATION OR CAN BECOME TURN ONLY BY REWIRING THE BRANCHES INTO TURN SIGNAL SWITCH.</p> <p>VENDOR MAY REPLACE WITH APPROVED MOLDS OR CONNECTORS. PIGTAILS SHOWN IN TERMINAL VIEW.</p> <p>HARNESS TO BE TESTED FOR CONTENT, OPENS, SHORTS, AND CONTINUITY.</p> <p>CONNECTORS SHOWN FROM WIRE ENTRY SIDE, UNLESS OTHERWISE NOTED.</p> <p>SPLICES TO BE AUTOMATED WITH SOLDER, AND ADHESIVE LINED HEAT SHRINK TUBING.</p> <p>TAPE (1111096) 6" AT BREAKOUTS, 2" AT 18" INTERVALS FOR UNINTERRUPTED LOOM LENGTHS GREATER THAN 24", AND 2" AT LOOM ENDS.</p> <p>HARNESS TO HAVE A LABEL SHOWING PART NUMBER, REVISION LEVEL, AND DATE OF MANUFACTURE.</p> <p>SPLIT POLY LOOM UNLESS OTHERWISE NOTED.</p> <p>1. OXL #19E.</p>			

CIRCUIT	DESCRIPTION	END POINTS	FUNCTION
000	14/18 WHT	A1, A2, B1, C1, C2, C3	GROUND
001	16 BRN	A1, A2, B1, C1, C2	TAIL/SIDE MARKER LPS
002	16 GRN	A1, A2, B1, C1, C2	TRUCK/COMBO LP
004	16 PINK	A1, C3	BACK-UP LP
005	16 RED	A1, C3	150L STOP LP
000	16 BLU/WHT	A1, B1	3-WAY SWITCH
001	16 BLU/YEL	A1, B1	3-WAY SWITCH

**VENDOR TO APPLY DIELECTRIC GREASE TO FEMALE BULLETS**

**THIS BRANCH WINDOW TO SIZE LIPS AS SMALL AS POSSIBLE**

**TO REAR 3-WAY SWITCH**

TOX 42B44  
11MAR14  
DO NOT SCALE  
HARN RR BRD RH BPNL 91" HIGH  
FCC  
142086201

HARNESS AND LOOM TOLERANCES	
LP TO 60"	-0/+2"
60" TO 100"	-0/+4"
100" TO 200"	-0/+5"
200" TO 400"	-0/+6"
400" TO 600"	-0/+7"
OVER 600"	-0/+8"
60 TO 80	-0/+2"

LENGTHS APPLY FROM BREAKOUT TO BREAKOUT, UNLESS NOTED OTHERWISE TO ENTRY SIDE OF CONNECTOR, OR END OF COVER.

BASED ON 092086205

PROPRIETARY

**MORGAN OLSON**

142086201

# 093093203 ROOF WIRING 1/2

# 093093203 ROOF WIRING 1/2

GRANTING NO.	REV	SHT
093093203	B	1 of 2
REV.	DESCRIPTION	BY
A	RELEASE TO PRODUCTION	J.M.
B	REV'D DM LP BAO'S	J.P.

10. MAIN TRUNK OF HARNESS MUST FIT IN A .75 DIA. WIRE CHANNEL.
9. THIS IS A PURCHASED HARNESS. NO BILL OF MATERIAL EXISTS.
8. VENDOR MAY REPLACE PLUGS WITH APPROVED MOULDINGS OR CONNECTORS. PIGTAILS SHOWN IN TERMINAL VIEW.
7. HARNESS TO BE TESTED FOR CONTINUITY, SHORTS, AND CONTINUITY.
6. CONNECTORS SHOWN FROM WIRE ENTRY SIDE, UNLESS OTHERWISE NOTED.
5. SPLICES TO BE AUTOMATED WITH HEAT SHRINK TUBING. HEAT SHRINK BUTT SPLICES ARE ACCEPTABLE FOR M-O FABRICATION IF NECESSARY.
4. TAPE [111088]: 6" AT BREAKOUTS AND 2" AT LOOM ENDS.
3. HARNESS TO HAVE A LABEL SHOWING MORGAN OLSON PART NUMBER, REVISION LEVEL, AND DATE OF MANUFACTURE.
2. SPLIT POLY LOOM UNLESS OTHERWISE NOTED.
1. GXL WIRE.

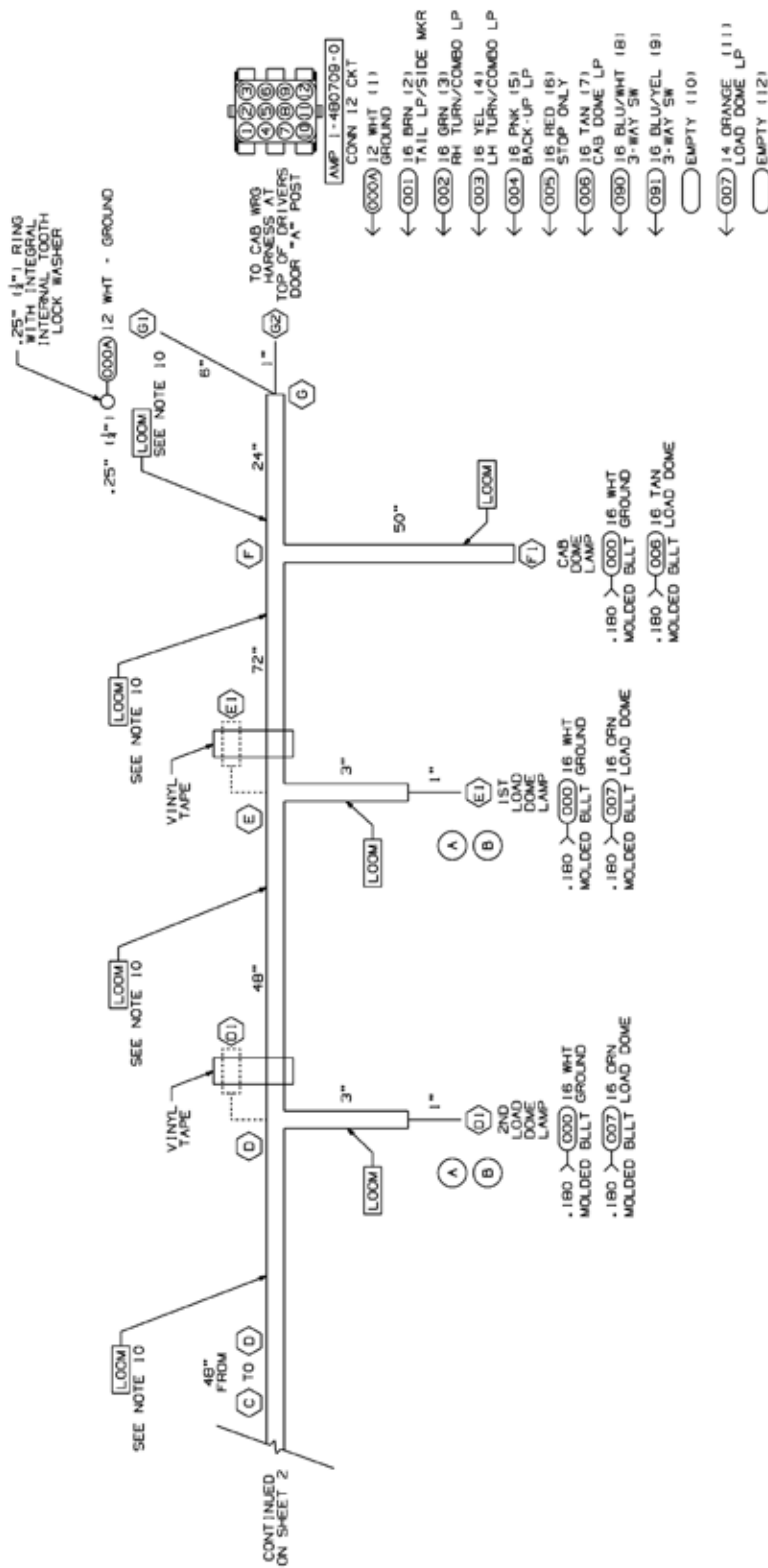
### NOTES:

PROPRIETARY  
This drawing is the intellectual property of Morgan Olson. It is not to be reproduced, copied, or used in any manner without the written permission of Morgan Olson.



MORGAN OLSON SERVICE PARTS  
1. MORGAN OLSON, U.S.A., INC., 10001 N. 24th St., Scottsdale, AZ 85255  
2. PHONE: 480-288-3800  
3. FAX: 480-288-3801  
4. WEBSITE: www.morganolson.com  
5. CONTACT: SALES@MORGANOLSON.COM  
DATE: 01/15/2009  
BY: T.J.M.  
REV: 21APR09  
SHEET: 21APR09

DATE	BY	REV
01/15/2009	T.J.M.	21APR09
DO NOT SCALE		
HARNESS ROOF 21'-24'6" M100 TRUCK .180F BLTT		
SHEET	TOTAL SHEETS	REV
1 of 2	093093203	B



**HARNESS AND LOOM TOLERANCES**

UP TO 60" : -0/+2"  
 60" TO 100" : -0/+4"  
 100" TO 200" : -0/+5"  
 200" TO 400" : -0/+6"  
 400" TO 600" : -0/+7"  
 OVER 600" : -0/+8"

BO TO 80 : -0/+2"  
 BO TO 80 : -0/+2"

**TOLERANCE IS NOT ACCUMULATIVE. LENGTH APPLIES TO OVERALL HARNESS LENGTH, BREAKOUT TO END, OR LOOM.**

# 093093203 ROOF WIRING 2/2

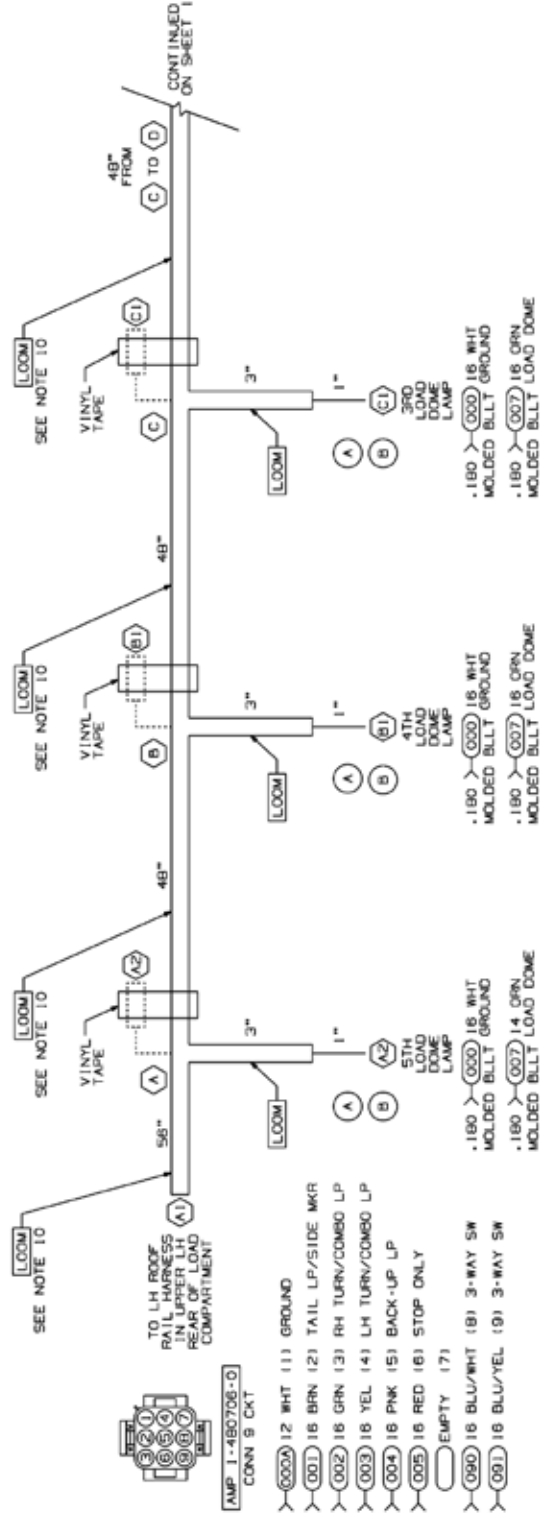
DRAWING NO.	REV.	SHEET
093093203	B	2 of 2
DESCRIPTION	DATE	BY
RELEASE TO PRODUCTION		
A REVISED LAMP		
B REV'D DM LP B/O'S		

# 093093203 ROOF WIRING 2/2

CIRCUIT	DESCRIPTION	END POINTS	FUNCTION
000A	12 WHIT	A1, G1, G2, SPLICE 1	GROUND
000	14/16 WHIT	A2, B1, C1, D1, E1, F1, SPLICE 1	GROUND
001	16 BRN	A1, G2	CLERK/TCC LPS
002	16 GRN	A1, G2	RH TURN LP
003	16 YEL	A1, G2	LH TURN LP
004	16 PNK	A1, G2	BACK-UP LPS
005	16 RED	A1, G2	STOP LPS
006	16 TAN	F1, G2	CAB DOME LP
007	14/16 GRN	A2, B1, C1, D1, E1, G2	LOAD DOME LAMPS
008	16 BLU/WHIT	A1, G2	3-WAY SWITCH - LOAD DMS
009	16 BLU/YEL	A1, G2	3-WAY SWITCH - LOAD DMS

000A 12 WHIT IS TO BE SPLICED TO THE 0000 WHIT CIRCUIT, VENDOR TO DETERMINE LOCATION(S)!

### SPLICE 1



HARNES AND LOOM TOLERANCES
UP TO 60" : -0/+2"
80" TO 100" : -0/+4"
100" TO 200" : -0/+5"
200" TO 400" : -0/+6"
400" TO 600" : -0/+7"
OVER 600" : -0/+8"

TO TOLERANCE IS NOT ACCUMULATIVE. LENGTH APPLIES TO OVERALL HARNES LENGTH, BREAKOUT TO END, OR LOOM.

10. MAIN TRUNK OF HARNES MUST FIT IN A .75 DIA. WIRE CHANNEL
9. THIS IS A PURCHASED HARNES. NO BILL OF MATERIAL EXISTS.
8. VENDOR MAY REPLACE PIGTAILS WITH WIRING TO APPROVED MOLDINGS OR CONNECTORS. PIGTAILS SHOWN IN TERMINAL VIEW.
7. HARNES TO BE TESTED FOR CONTENT GAINS, SHORTS, AND CONTINUITY.
6. CONNECTORS SHOWN FROM WIRE ENTRY SIDE, UNLESS OTHERWISE NOTED.
5. SPLICES TO BE AUTOMATED WITH HEAT SHRINK TUBING. HEAT SHRINK BUTT SPLICES ARE ACCEPTABLE FOR M-O FABRICATION IF NECESSARY.
4. TAPE [1111096]: 6" AT BREAKOUTS AND 2" AT LOOM ENDS.
3. HARNES TO HAVE A LABEL SHOWING MORGAN OLSON PART NUMBER, REVISION NUMBER, AND DATE OF MANUFACTURE.
2. SPLIT POLY LOOM UNLESS OTHERWISE NOTED.
  1. GYL WIRE.

**PROPRIETARY**

**MORGAN OLSON**

This drawing is the property of Morgan Olson. It is to be used only for the purpose intended. It is not to be reproduced, copied, or distributed in any form without the written consent of Morgan Olson. All rights reserved.

DATE	21 APR 08
REV	001
DESIGNER	TJM
DATE	21 APR 08
REV	001
DATE	21 APR 08
REV	001

DO NOT SCALE

HARNES ROOF 21"-24" 16" M100 TRUCK .180F BLT

SHEET	NO.
2 of 2	093093203
REV	B

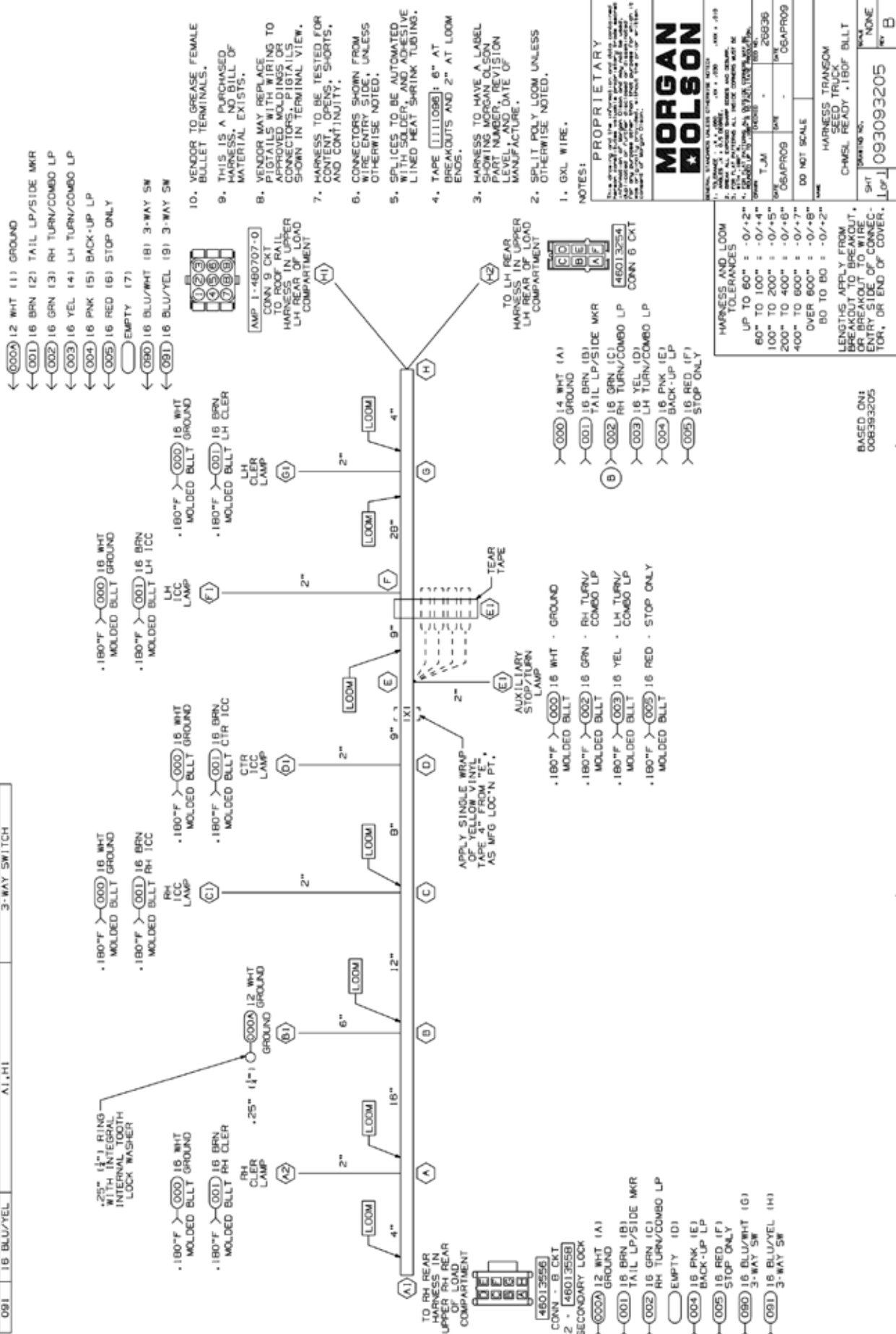
# 093093205 TRANSOM WIRING

# 093093205 TRANSOM WIRING

DRAWING NO.	REV	QTY
093093205	B	1

DESCRIPTION
RELEASE TO PRODUCTION
REDRAWN & REVISED
ADDED SIGNAL 002 TO MTS
CONNECTOR AT 152

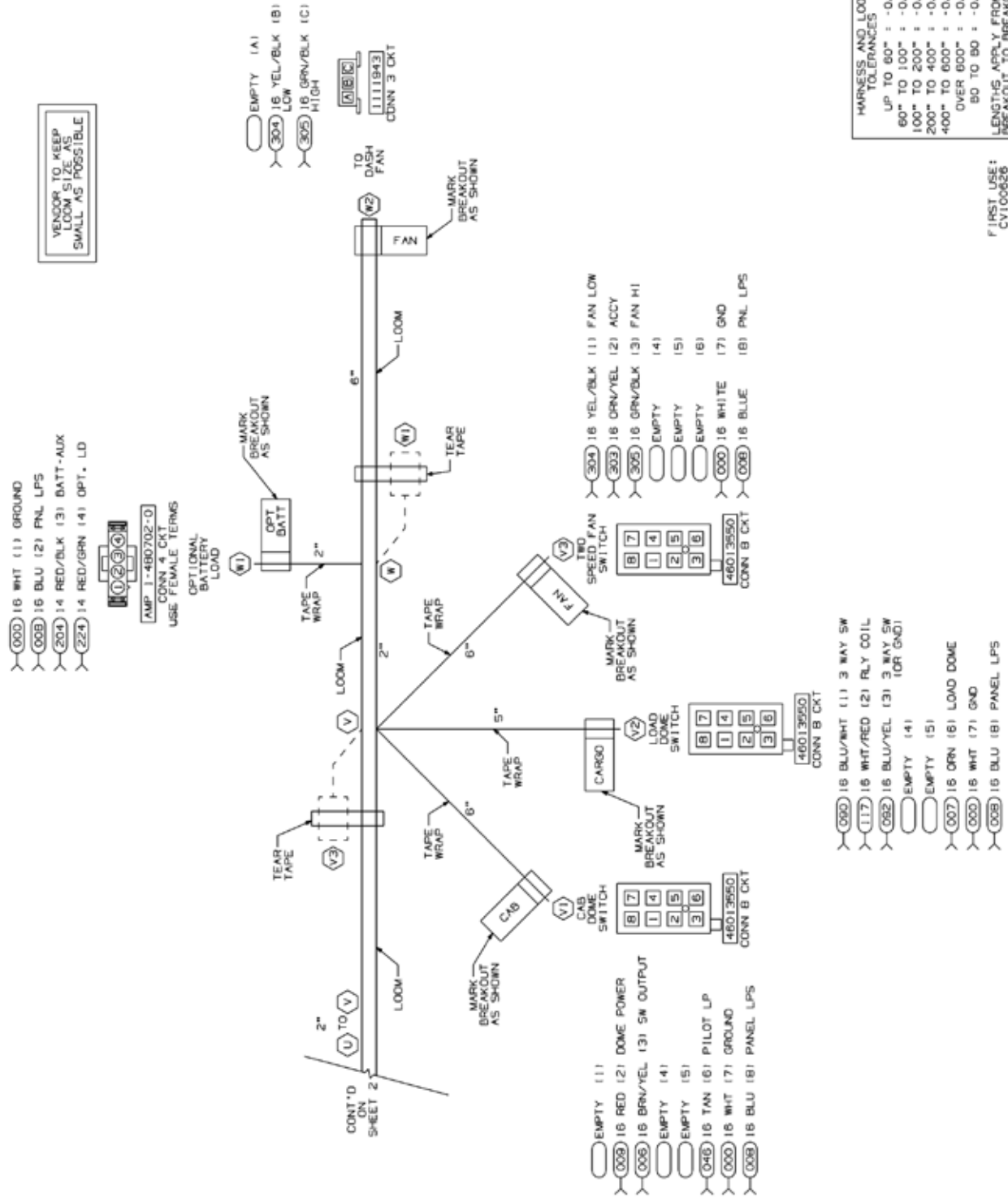
CIRCUIT DESCRIPTION	END POINTS	FUNCTION
000A	12 WHIT	GROUND
000	14/15 WHIT	A1,B1,H1, SPLICE 1
001	16 BRN	A2,C1,D1,E1,F1,G1,H2, SPLICE 1
002	16 GRN	A1,A2,C1,D1,F1,G1,H1,H2
003	16 YEL	A1,E1,H1,H2
004	16 PNK	E1,H1,H2
005	16 RED	A1,H1,H2
090	16 BLU/WHIT	A1,H1
091	16 BLU/YEL	A1,H1



# 098084203 INSTRUMENT PANEL 1/4

DRAWING NO.	REV.	DATE
098084203	C	10/1
DESCRIPTION	REV.	DATE
RELEASE FOR PRODUCTION		
REVISED BETWEEN D/F# 2800		
B/S/S - J AND -M		
DEF. PARTS		
REV'D B/O "H1"		
DEF. PARTS		
REV'D B/O "H2"		
DEF. PARTS		
REV'D B/O "H3"		
DEF. PARTS		
REV'D B/O "H4"		
DEF. PARTS		

VENDOR TO KEEP  
LOOM SIZE AS  
SMALL AS POSSIBLE



- THIS IS A PURCHASED HARNESS. NO BILL OF MATERIAL EXISTS.
- VENDOR MAY REPLACE PIGTAILS WITH WIRING TO APPROVED MOLDINGS OR CONNECTORS. PIGTAILS SHOWN IN TERMINAL VIEW.
- HARNESS TO BE TESTED FOR CONTENT, OPENS, SHORTS.
- CONNECTORS SHOWN FROM REVERSE VIEW, UNLESS OTHERWISE NOTED.
- SPLICES TO BE AUTOMATED WITH SOLDER, AND ADHESIVE LINED HEAT SHRINK TUBING.
- TAPE [111098]: 6" AT BREAKOUTS AND 2" AT LOOM ENDS.
- HARNESS TO HAVE A LABEL SHOWING MORGAN OLSON PART NUMBER, REVISION LEVEL, AND DATE OF MANUFACTURE.
- SPLIT POLY LOOM UNLESS OTHERWISE NOTED.
- GXL WIRE.

NOTES:

PROPRIETARY

MORGAN OLSON

DATE	REV	BY
08/01/08	1	28501
DATE	REV	BY
08/01/08	1	28501
DATE	REV	BY
08/01/08	1	28501
DATE	REV	BY
08/01/08	1	28501
DATE	REV	BY
08/01/08	1	28501
DATE	REV	BY
08/01/08	1	28501

HARNESS AND LOOM TOLERANCES

UP TO 60"	: -0/+2"
60" TO 100"	: -0/+4"
100" TO 200"	: -0/+5"
200" TO 400"	: -0/+8"
400" TO 800"	: -0/+7"
OVER 800"	: -0/+8"
50 TO 80	: -0/+2"

LENGTHS APPLY FROM BREAKOUT TO BREAKOUT. ENTRY SIDE OF CONNECTOR, OR END OF COVER.

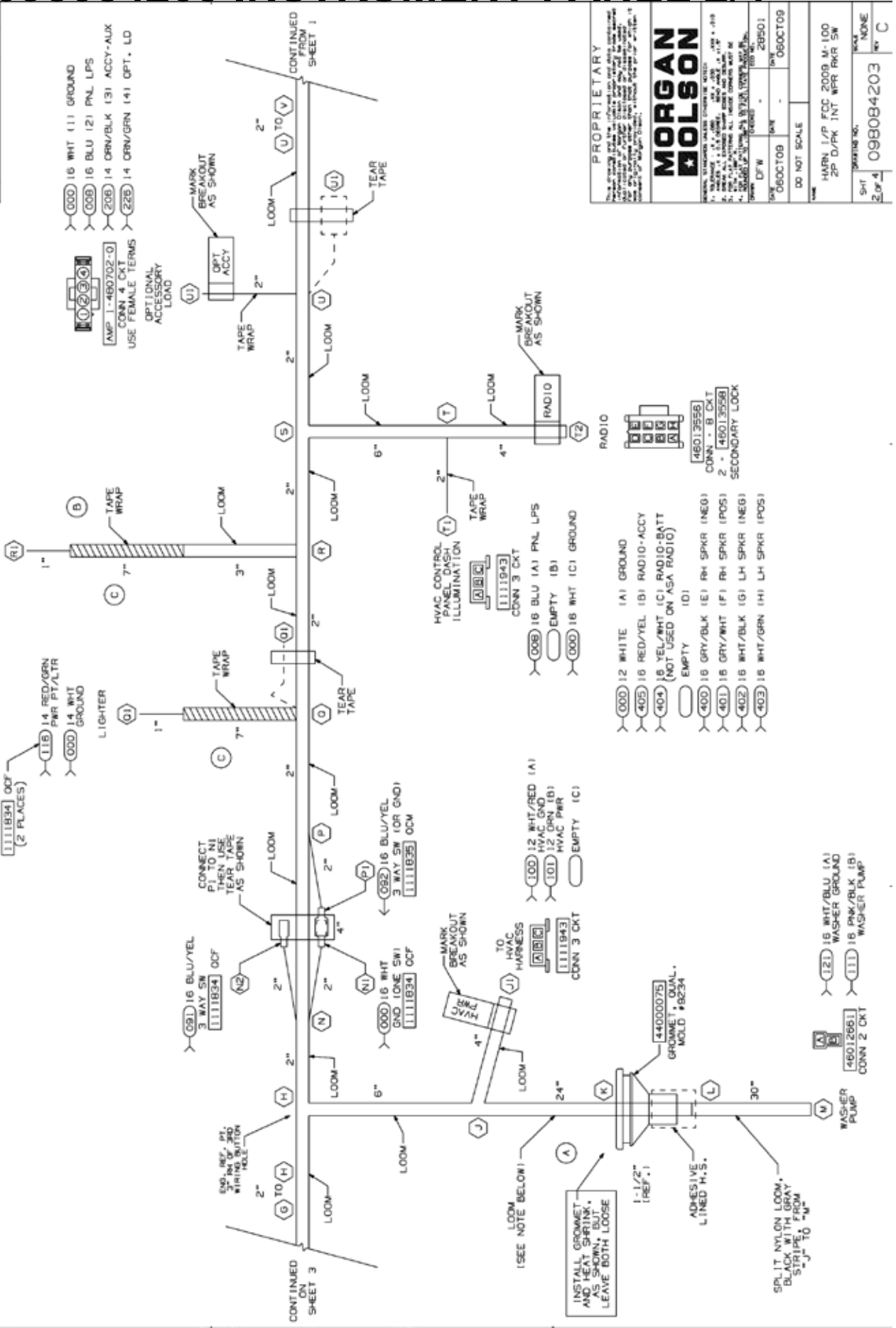
FIRST USE:  
CIVILIAN  
BASED ON:  
007384210



# 098084203 INSTRUMENT PANEL 2/4

# 098084203 INSTRUMENT PANEL 2/4

DRAWING NO.	REV.	REV.	DATE
098084203	C		2.07.1
DESCRIPTION			
A	REVISED FOR PRODUCTION	REV. DATE	2000
B	REV'D B/O "R1"	REV. DATE	2000
C	3" WAS 3" SHEET 2	REV. DATE	2000



**PROPRIETARY**

**MORGAN OLSON**

3000 W. 100th St., Suite 100, Overland Park, KS 66204  
 913.666.1111  
 FAX: 913.666.1112  
 E-MAIL: SALES@MORGANOLSON.COM  
 WWW.MORGANOLSON.COM

DATE: 2.07.1  
 DRAWN BY: J. H. HARRIS  
 CHECKED BY: J. H. HARRIS  
 APPROVED BY: J. H. HARRIS

SCALE: NONE  
 SHEET: 2 OF 4  
 PART NO: 098084203  
 REV: C

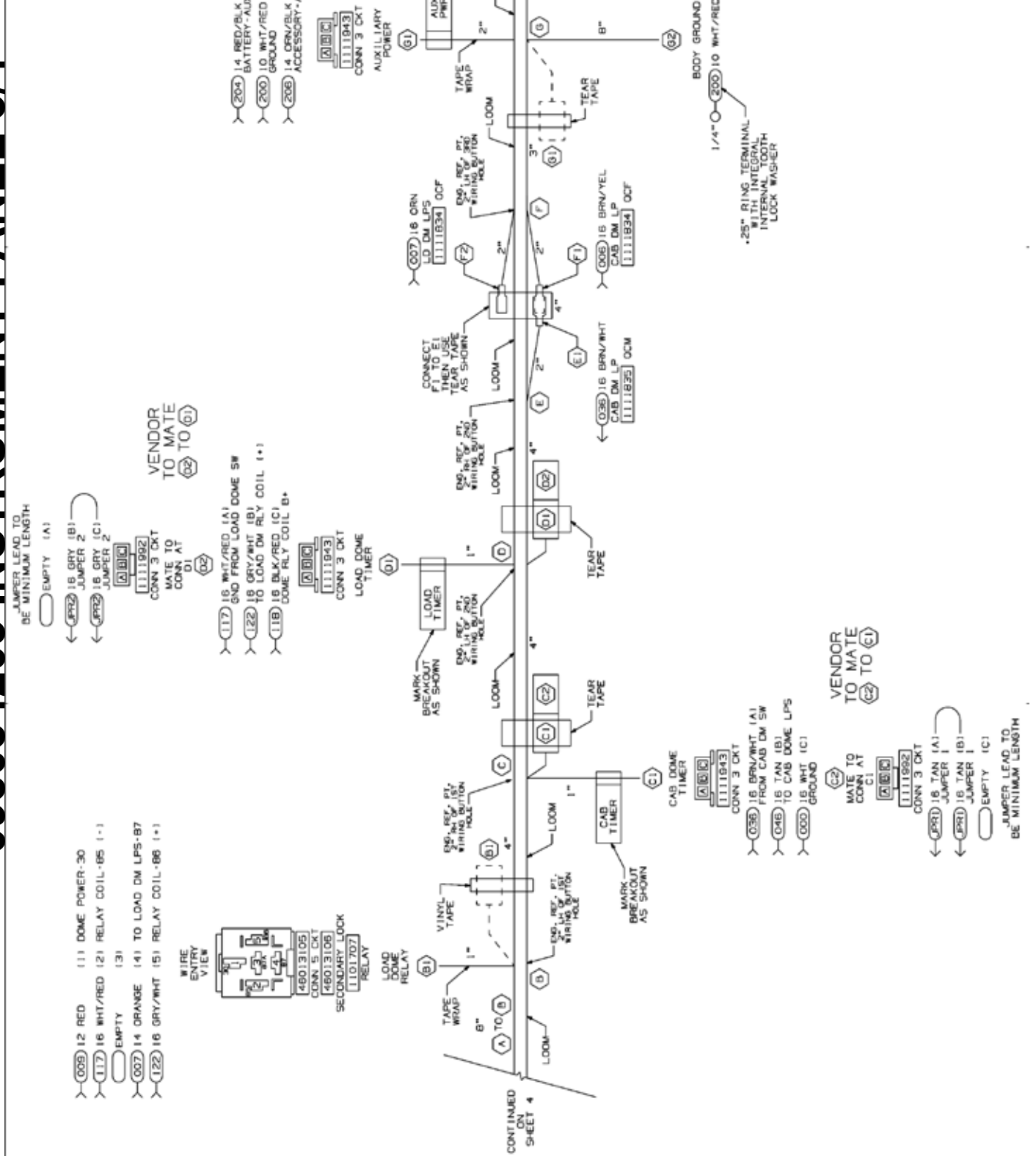
# 098084203 INSTRUMENT PANEL 3/4

# 098084203 INSTRUMENT PANEL 3/4

QUANTITY NO.	REV	SHT
098084203	C	3 OF 4

REV	DESCRIPTION	DATE
A	RELEASE FOR PRODUCTION	
B	B.O.D. "P" AND "M"	
C	REV'D B.O. "R1"	
D	3" WAS 3" SHEET 2	



**PROPRIETARY**  
 THIS DRAWING AND THE INFORMATION AND DATA CONTAINED HEREIN ARE THE PROPERTY OF MORGAN OLSON. THIS DRAWING IS TO BE USED ONLY FOR THE PROJECT AND QUANTITY SPECIFIED. ANY REUSE OF THIS DRAWING FOR ANY OTHER PROJECT WITHOUT THE WRITTEN PERMISSION OF MORGAN OLSON IS STRICTLY PROHIBITED.

**MORGAN OLSON**

15360 W. 15th Ave., Golden, CO 80131  
 Tel: (303) 233-8800, Fax: (303) 233-8801  
 A. MORGAN OLSON SERVICE PARTS  
 B. MORGAN OLSON SERVICE PARTS  
 C. MORGAN OLSON SERVICE PARTS  
 D. MORGAN OLSON SERVICE PARTS

DATE	BY	REV
06OCT09		06OCT09

DO NOT SCALE

HARN I/P FCC 2008 M-100  
 2P D/PK INT W/R RCR SW

REV	DESCRIPTION
3 OF 4	NONE

# 098084203 INSTRUMENT PANEL 4/4

# 098084203 INSTRUMENT PANEL 4/4

098084203	REV C	4 of 4
RELEASE FOR PRODUCTION		
A	REVISED TERMINALS	DATE 02/15/07
B	REV'D B/O "H1"	DATE 02/15/07
C	7" WAS 3" SHEET 2	DATE 02/15/07
	7" WAS 3" SHEET 2	DATE 02/15/07

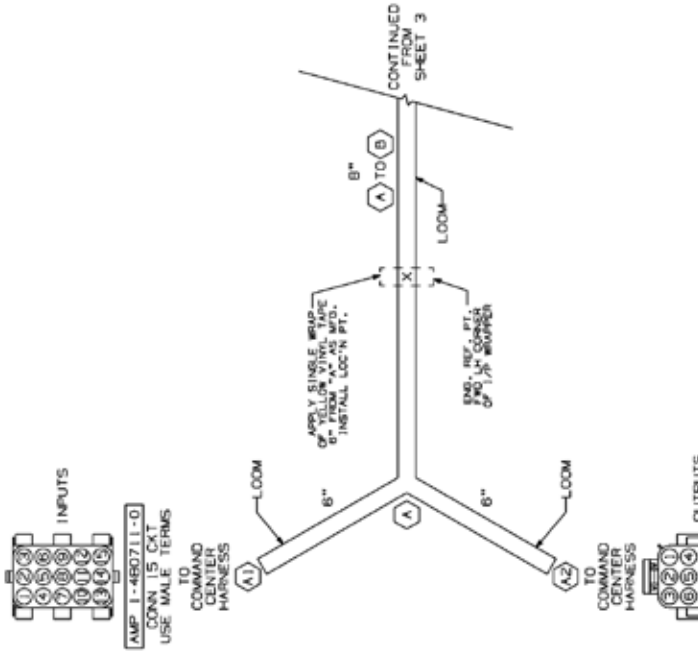
CIRCUIT	DESCRIPTION	END POINTS	FUNCTION
000	12/14/16 WHI	A1, C1, NI, Q1, RI, T1, T2, U1, V1, V2, V3, W1	GROUND
006	16 BRN/YEL	F1, V1	CAB DOME LAMP SWITCH OUTPUT
007	14/16 GRN	A2, B1, F2, V2	LOAD DOME LAMP(S)
008	16 BLU	A1, T1, U1, V1, V2, V3, W1	PANEL LAMPS (THRU DIMMER SWITCH)
009	12/16 RED	A1, B1, V1	DOME BATTERY FEED
036	16 BRN/WHI	C1, E1	CAB DOME TO TIMER
046	16 TAN	A2, C1, V1	CAB DOME LAMP
080	16 BLU/WHI	A1, V2	LOAD DOME LAMPS 3-WAY SWITCH
091	16 BRN/YEL	A1, N2	LOAD DOME LAMPS 3-WAY SWITCH
092	16 BLU/YEL	P1, V2	LOAD DOME LAMPS 3-WAY SWITCH
100	12 WHI/RED	A2, J1	ELECTRIC HVAC GROUND
101	12 GRN	A1, J1	ELECTRIC HVAC ACCESSORY POWER
111	16 PNK/BLK	A1, M	WASHER PUMP
116	14 RED/GRN	A1, O1, R1	LIGHTER (BATTERY)
117	16 WHI/RED	B1, D1, V2	LOAD DOME LAMPS RELAY COIL GROUND
118	16 BLK/RED	A1, D1	LOAD DOME LAMPS RELAY COIL BATTERY
121	16 WHI/BLU	A2, M	WASHER PUMP GROUND
122	16 GRY/WHI	B1, D1	WASHER PUMP GROUND
200	10 WHI/RED	G1, G2	GROUND - AUX
204	14 RED/BLK	A1, G1, W1	BATTERY POWER - AUX
206	14 RED/GRN	A2, M1	AUX BATTERY POWER - SWITCHED
226	14 GRN/GRN	A2, U1	AUX ACCESSORY POWER - SWITCHED
303	16 GRN/YEL	A1, V3	FAN SWITCH POWER
304	16 YEL/BLK	A2, V3, W2	DASH FAN LOW
305	16 GRN/BLK	A2, V3, W2	DASH FAN HIGH
*400*	16 GRY/BLK	A2, T2	RH SPEAKER (NEGATIVE)
*401*	16 GRY/WHI	A2, T2	RH SPEAKER (POSITIVE)
*402*	16 WHI/BLK	A2, T2	LH SPEAKER (NEGATIVE)
*403*	16 WHI/GRN	A2, T2	LH SPEAKER (POSITIVE)
404	16 WHI/WHI	A1, T2	RADIO BATTERY FEED
405	16 RED/YEL	A1, T2	RADIO ACCESSORY FEED
JPR1	16 TAN	C2, C2	CAB DOME JAMPER
JPR2	16 GRY	D2, D2	LOAD DOME JAMPER

\* OPTIONAL: CIRCUITS 400 & 401 MAY BE SUPPLIED AS STANDARD SPEAKER "ZIP CORO" PAIRS. CIRCUIT NUMBER AND CONNECTOR INDEXING MUST BE MAINTAINED AS SHOWN.

\* OPTIONAL: CIRCUITS 402 & 403 MAY BE SUPPLIED AS STANDARD SPEAKER "ZIP CORO" PAIRS. CIRCUIT NUMBER AND CONNECTOR INDEXING MUST BE MAINTAINED AS SHOWN.

- ← (000) 12 WHI (11) BODY GROUND
- ← (008) 16 BLU (12) PANEL LAMPS
- ← (009) 12 RED (13) BATTERY-DOME LPS
- ← (080) 16 BLU/WHI (41) 3-WAY SWITCH
- ← (081) 16 BLU/YEL (51) 3-WAY SWITCH
- ← (101) 12 GRN (61) ACCESSORY-HVAC
- ← (111) 16 PNK/BLK (71) WASHER PUMP
- ← (116) 14 RED/GRN (81) BATT-12V OUTLET
- ← (118) 16 BLK/RED (91) DOME RLY COIL B\*
- ← (204) 14 RED/BLK (110) BATTERY-AUX
- ← (206) 14 GRN/BLK (111) ACCESSORY-AUX
- ← (303) 16 GRN/YEL (112) COMMAND CENTER HARNESS
- ← (404) 16 YEL/WHI (113) BATTERY-RADIO
- ← (405) 16 RED/YEL (114) ACCESSORY-RADIO
- ( ) EMPTY (115)

- (007) 14 GRN (11) LOAD DOME LAMPS
- (046) 16 TAN (2) TO CAB DOME LAMPS
- (121) 16 WHI/BLU (31) WASHER GROUND
- (224) 14 RED/GRN (41) SWITCHED BAT LOAD
- (226) 14 GRN/GRN (51) SWITCHED ACY LOAD
- (304) 16 YEL/BLK (61) DASH FAN LOW
- (305) 16 GRN/BLK (71) DASH FAN HIGH
- (400) 16 GRY/BLK (81) RH SPEAKER-NEG
- (401) 16 GRY/WHI (91) RH SPEAKER-POS
- (402) 16 WHI/BLK (110) LH SPEAKER-NEG
- (403) 16 WHI/GRN (111) LH SPEAKER-POS
- (100) 12 WHI/RED (112) HVAC GROUND



**PROPRIETARY**

**MORGAN OLSON**

THIS IS A PROPRIETARY DOCUMENT. IT IS THE PROPERTY OF MORGAN OLSON. IT IS TO BE USED ONLY FOR THE PURPOSES INTENDED BY MORGAN OLSON. IT IS NOT TO BE REPRODUCED, COPIED, OR DISTRIBUTED IN ANY MANNER WITHOUT THE WRITTEN PERMISSION OF MORGAN OLSON. IF YOU HAVE ANY QUESTIONS, PLEASE CONTACT MORGAN OLSON.

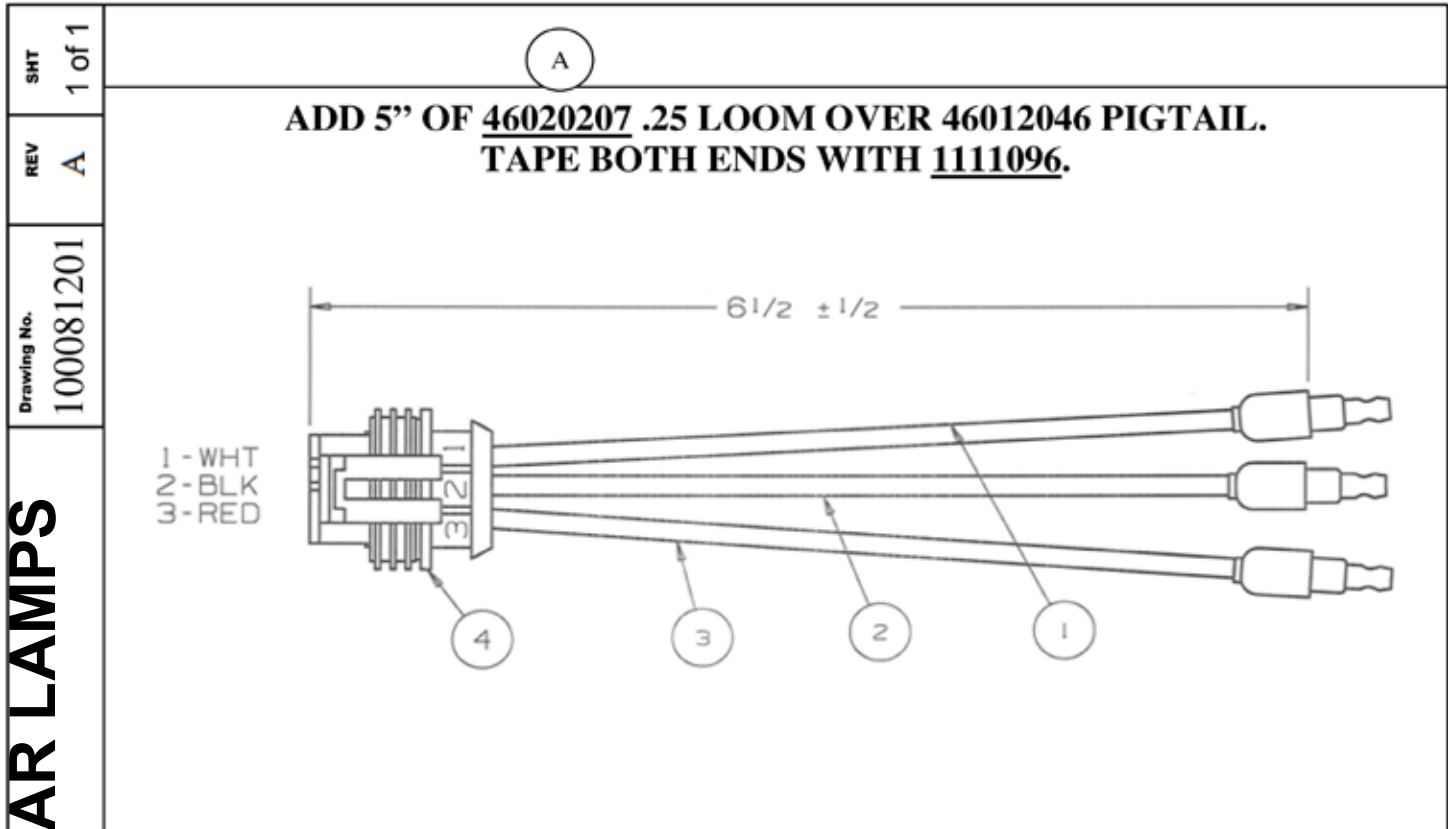
DATE: 08OCT09  
 TIME: 10:00  
 DRAWN BY: JPR  
 CHECKED BY: JPR  
 APPROVED BY: JPR

DO NOT SCALE

HARN 1/P FCC 2009 M-100  
 2P D/PK INT WPR RKR SW

SHEET 4 of 4  
 DRAWING NO. 098084203  
 REV. C

# 100081201 REAR LAMPS



**100081201 REAR LAMPS**

**DIGITAL PHOTO DRAWING**

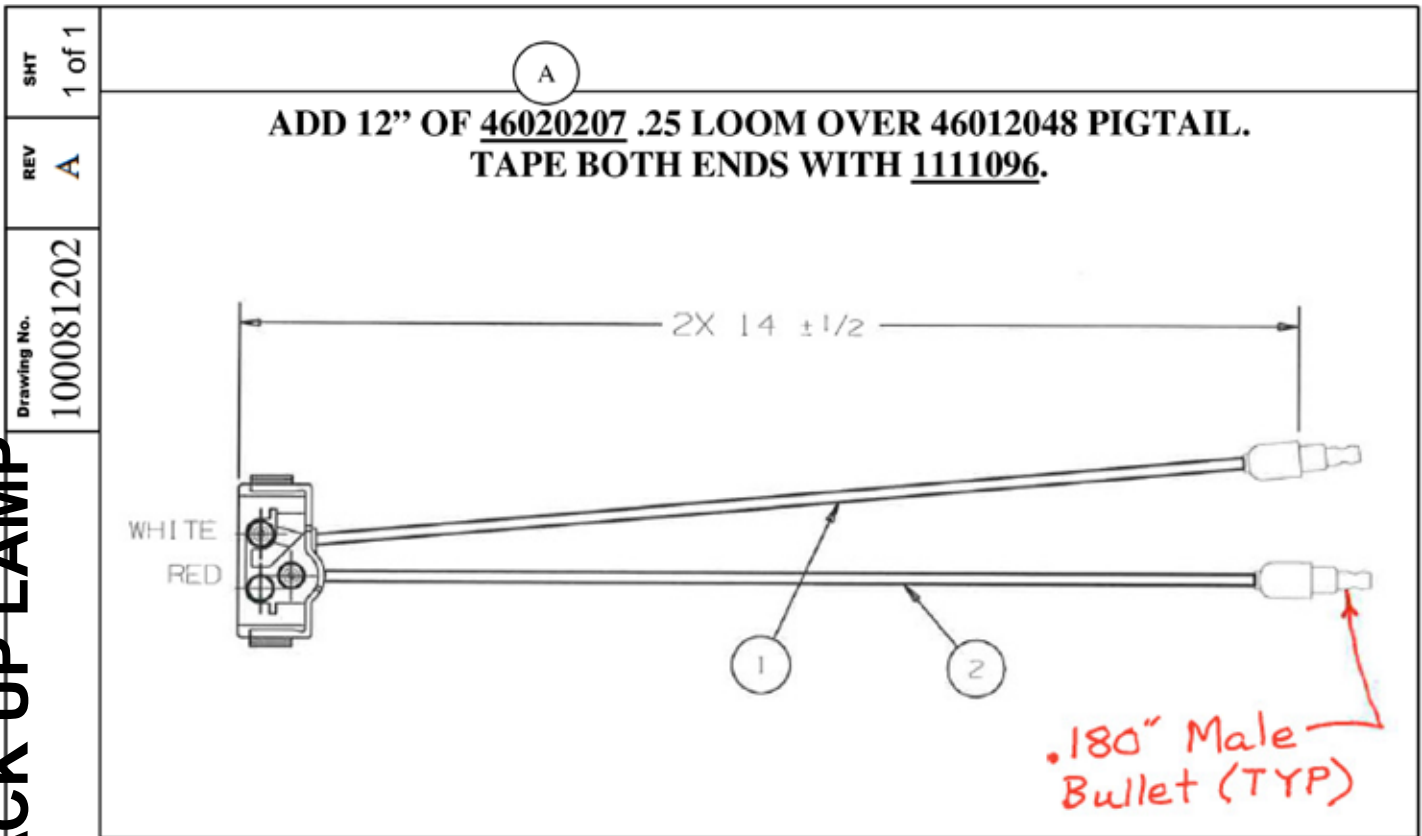


GENERAL STANDARDS UNLESS OTHERWISE NOTED:  
 1. TOLERANCE- .X ± .060 .XX ± .030 .XXX ± .010  
 ANGLES- .X ± .5 DEGREES  
 2. BREAK ALL EXPOSED SHARP EDGES AND DEBURR.  
 3. FOR FLAT PATTERNS ALL INSIDE CORNERS MUST BE WITH .188" R.  
 4. FOR FLAT PATTERNS ALL OUTSIDE CORNERS MAY BE ROUNDED UP TO .188" R TO FACILITATE PRODUCTION.

					DRAWN TJM	CHECKED	RELEASE NO. 31075	
A	LOOM 46020207 WAS 46020201	MTS	43454	DATE 6/10/14	DATE 12MAY10	DATE	DATE 12MAY10	
REV	DESCRIPTION	BY	REL.NO.	DO NOT SCALE				
<p><b>PROPRIETARY</b></p> <p>This drawing and the information and data contained hereon constitutes valuable proprietary trade secret information of Morgan Olson Corp. and may not be used, duplicated or further disclosed or disseminated for any purpose other than that purpose for which it was originally provided, without the prior written consent of Morgan Olson Corp.</p>				<p><b>HARN A S/T/T WITH LOOM (LOOM OVER 46012046)</b></p>				
				SHT 1 of 1	DRAWING NO. 100081201		SCALE NONE	
						REV A		

# 100081202 BACK UP LAMP

100081202 BACK UP LAMP



DIGITAL PHOTO DRAWING



- GENERAL STANDARDS UNLESS OTHERWISE NOTED:
1. TOLERANCE- .X ± .060 .XX ± .030 .XXX ± .010
  - ANGLES- .X ± .5 DEGREES
  2. BREAK ALL EXPOSED SHARP EDGES AND DEBURR.
  3. FOR FLAT PATTERNS ALL INSIDE CORNERS MUST BE WITH .188" R.
  4. FOR FLAT PATTERNS ALL OUTSIDE CORNERS MAY BE ROUNDED UP TO .188" R TO FACILITATE PRODUCTION.

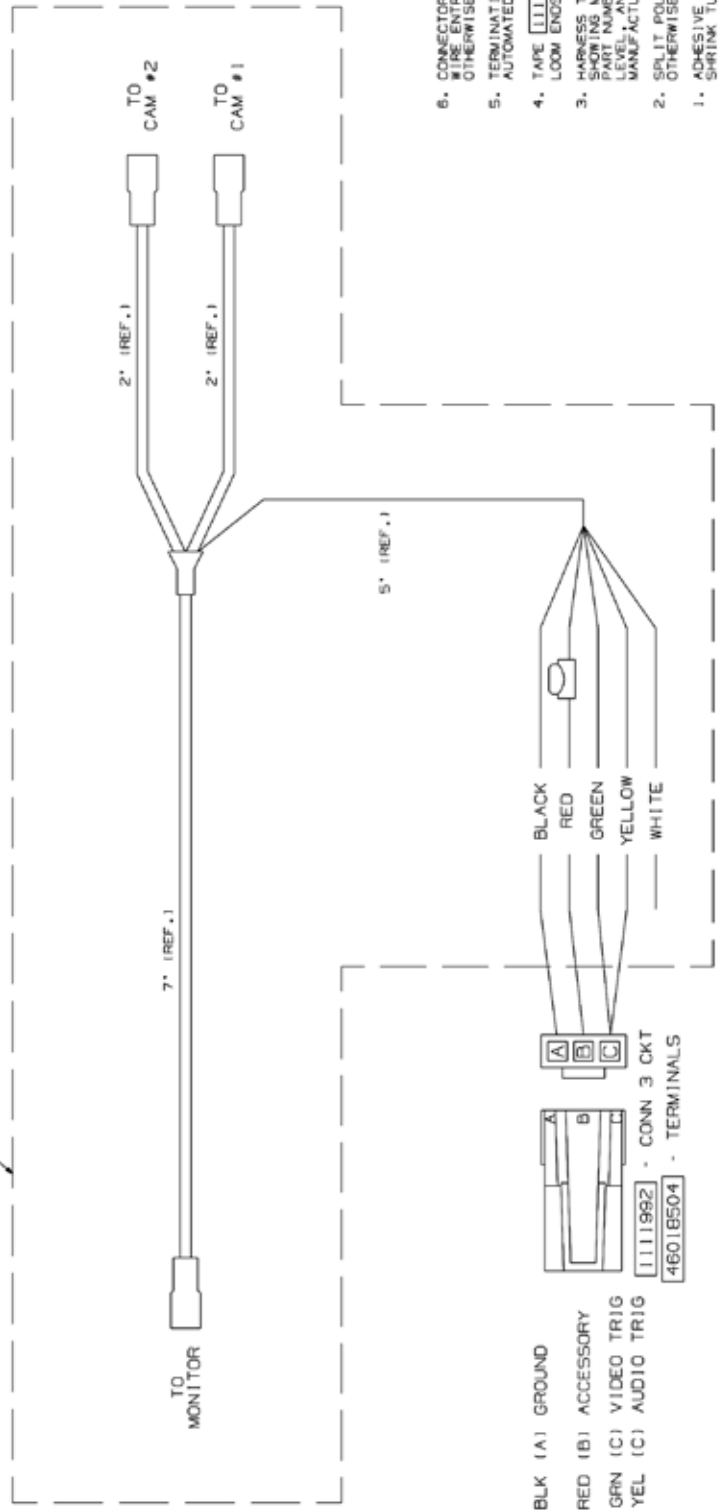
					DRAWN TJM	CHECKED	RELEASE NO. 31075
A	LOOM 46020207 WAS 46020201	MTS	43454	DATE 12MAY10	DATE	DATE 12MAY10	
			6/10/14				
REV	DESCRIPTION	BY	RELNO.	DO NOT SCALE			
		CHK.	DATE	NAME			
<b>PROPRIETARY</b>				<b>HARN A B/U WITH LOOM</b>			
This drawing and the information and data contained hereon constitutes valuable proprietary trade secret information of Morgan Olson Corp. and may not be used, duplicated or further disclosed or disseminated for any purpose other than that purpose for which it was originally provided, without the prior written consent of Morgan Olson Corp.				(LOOM OVER 46012048)			
				SHT	DRAWING NO.	SCALE	
				1 of 1	100081202	NONE	
				REV		A	

# 110094201 MOD SV LCD

# 110094201 MOD SV LCD

DRAWING NO.	REV	SHT
110094201		1 OF 1
REV	DESCRIPTION	DATE
	RELEASE TO PRODUCTION	

SUBJECT MATTER SHOWN WITHIN DOTTED LINES COMPRISES THE INTERFACE CABLE ASSEMBLY SUPPLIED WITHIN THE #48200107 MONITOR KIT



- CONNECTORS SHOWN FROM WIRE ENTRY SIDE, UNLESS OTHERWISE NOTED.
- TERMINATIONS TO BE AUTOMATED.
- TAPE [1111096]: 2" AT LOOM ENDS.
- HARNESS TO HAVE A LABEL WITH MORGAN OLSON PART NUMBER, REVISION LEVEL, AND DATE OF MANUFACTURE.
- SPLIT POLY LOOM UNLESS OTHERWISE NOTED.
- ADHESIVE LINED HEAT SHRINK TUBING.

NOTES:

THIS CONNECTOR WILL MATE TO THE M-100 ROOF NOSE HARNESS

- INSULATE BLUNT CUT END OF WHITE POWER LEAD, USING #46032502 HEAT SHRINK TUBING.
- TERMINATE THE REMAINING COLORED POWER LEADS, AND POPULATE INTO CONNECTOR BODY AS SHOWN.
- COVER POWER LEADS WITH #46020200 LOOM, TAPE ENDS AND ELSEWHERE AS NECESSARY, TO CLOSE LOOM.
- COVER MONITOR LEAD WITH #46020201 LOOM, TAPE ENDS AND ELSEWHERE AS NECESSARY, TO CLOSE LOOM.
- COVER CAMERA #1 LEAD WITH #46020201 LOOM AND TAPE ENDS.
- FOLD BACK, AND SECURE CAMERA #2 LEAD TO MONITOR LEAD, USING #46026310 TYWRAPS.



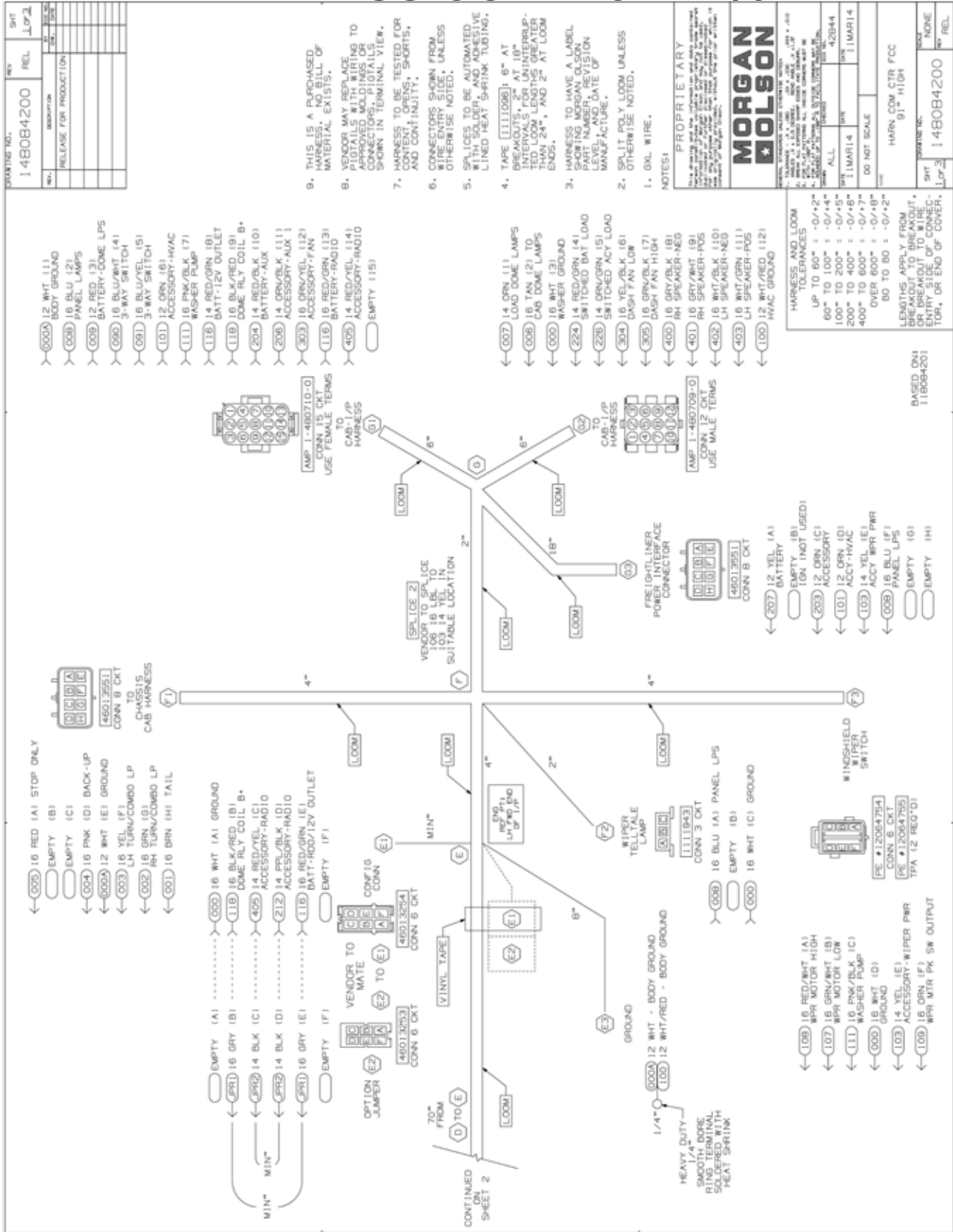
PROPRIETARY	
THIS DRAWING IS THE PROPERTY OF MORGAN OLSON AND SHALL REMAIN THE PROPERTY OF MORGAN OLSON. IT IS TO BE USED ONLY FOR THE MANUFACTURE OF THE PARTS IDENTIFIED HEREIN. IT IS TO BE KEPT IN CONFIDENTIALITY AND NOT TO BE REPRODUCED OR TRANSMITTED IN ANY FORM OR BY ANY MEANS, ELECTRONIC OR MECHANICAL, INCLUDING PHOTOCOPYING, RECORDING, OR BY ANY INFORMATION STORAGE AND RETRIEVAL SYSTEM.	
<b>MORGAN OLSON</b>	
MORGAN OLSON SERVICE PARTS	
DATE	REV
29DEC09	6
DO NOT SCALE	M-100
HARN MOD SV LCD MON W/INTGR. CTLS 2011	
DRAWING NO.	REV
110094201	NONE

HARNESS AND LOOM TOLERANCES	
UP TO 60"	± 0/-2"
60" TO 100"	± 0/-4"
100" TO 200"	± 0/-5"
200" TO 400"	± 0/-6"
400" TO 600"	± 0/-7"
OVER 600"	± 0/-8"
BO TO BO	± 0/-2"
TOLERANCE IS NOT ACCUMULATIVE. LENGTH APPLIES TO OVERALL HARNESS LENGTH, BREAKOUT TO END, OR LOOM.	

FIRST USE: CALIFORNIA BASED ON 097084-203

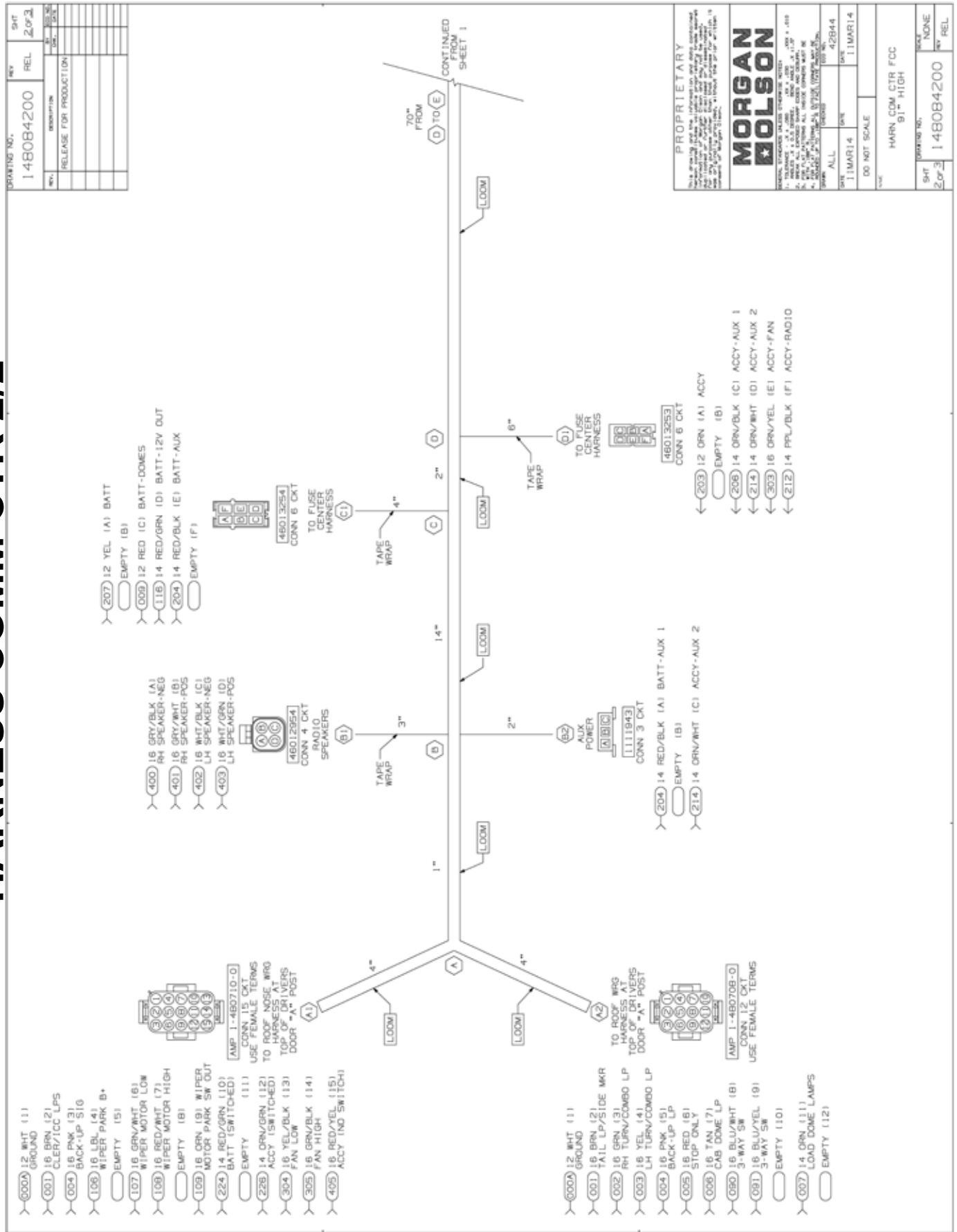
# HARNES COMM CTR 1/3

# HARNES COMM CTR 1/3



# HARNES COMM CTR 2/2

## HARNES COMM CTR 2/2

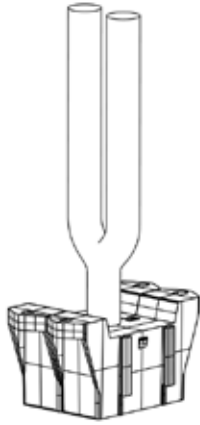




# 098084202 FUSE CENTER

# 098084202 FUSE CENTER

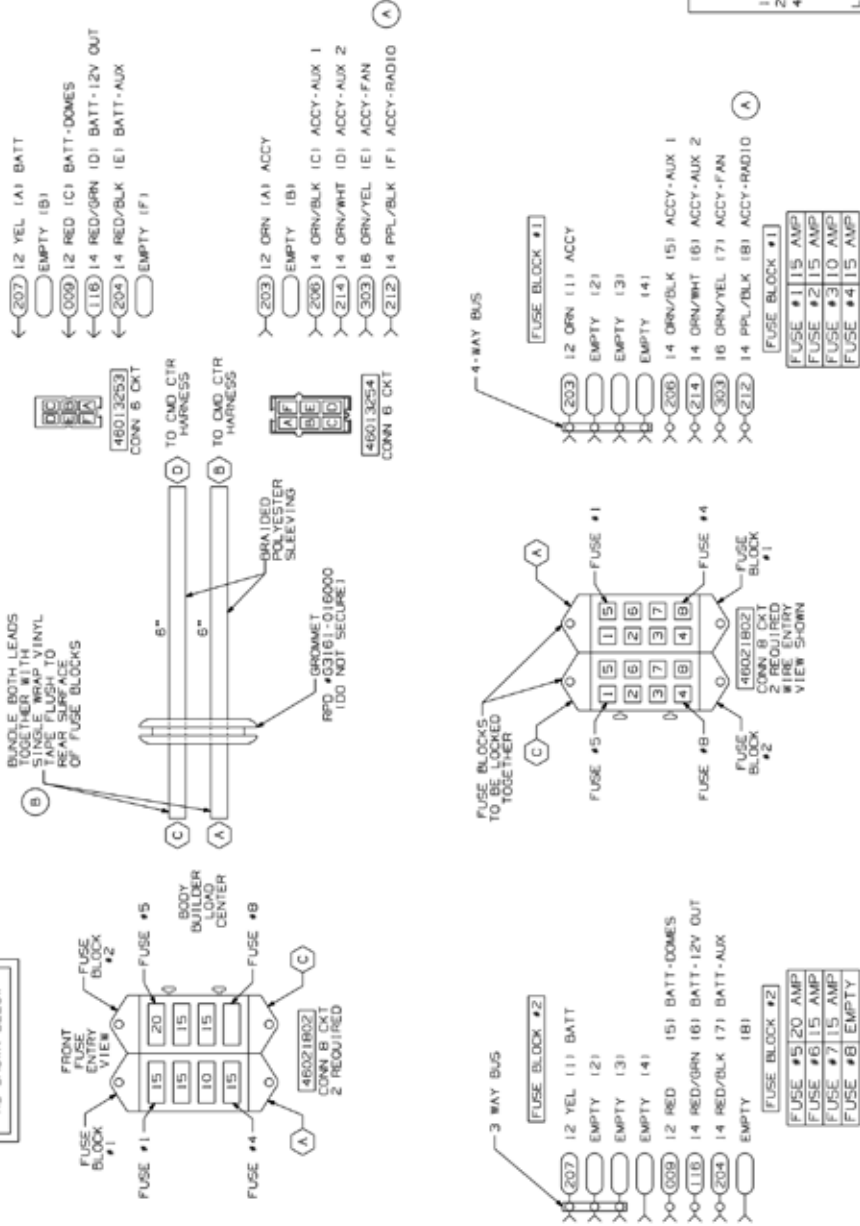
WORKING NO.	REV	SHT
098084202	B	1 OF 1
REV	DESCRIPTION	DATE
A	RELEASE FOR PRODUCTION	08/21/2009
B	CHG 212 14 ORN/BLK TO BATT-12V OUT	08/21/2009
	WAS 14 ORN/BLK TO BATT-12V OUT	
	WAS 14 ORN/BLK TO BATT-12V OUT	
	WAS 14 ORN/BLK TO BATT-12V OUT	



LAY OF WIRE TO BE SUCH THAT WIRING EXTENDS STRAIGHT OUT FROM BEHIND CENTER OF FUSE BLOCK ASSEMBLY, AS SHOWN

CIRCUIT	DESCRIPTION	END POINTS	FUNCTION
009	12 RED	C, D	BATT-DOMES
116	14 RED/GRN	C, D	BATT-12V OUT
203	12 ORN	A, B	ACCY
204	14 RED/BLK	C, D	BATT-AUX
206	14 ORN/BLK	A, B	ACCY-AUX 1
207	12 YEL	C, D	BATT
212	14 PPL/BLK	A, B	ACCY-RADIO
214	14 ORN/WHI	A, B	ACCY-AUX 2
303	16 ORN/YEL	A, B	ACCY-FAN

NOTE: FUSES AND FUSEBLOCKS MUST BE ORIENTED AS SHOWN BELOW



- THIS IS A PURCHASED PART. NO BILL OF MATERIALS EXISTS.
- BRAIDED POLYESTER SLEEVING TO BE CLOSED AT BOTH ENDS. SLEEVING TO BE ADHESIVE LINED HEAT SHRINK TUBING, AND TAPED [111098] 6" AT BREAKOUTS.
- VENDOR MAY REPLACE PILOTAILS WITH WIRING TO BE USED FOR BATT-DOMES CONNECTORS. PILOTAILS SHOWN IN TERMINAL VIEW.
- HARNESSES TO BE TESTED FOR CONTINUITY, SHORTS, AND CONTINUITY.
- CONNECTORS SHOWN FROM THE REVERSE SIDE, UNLESS OTHERWISE NOTED.
- SPLICES TO BE AUTOMATED WITH SOLDER, AND ADHESIVE LINED HEAT SHRINK TUBING.
- TAPE [111098] 6" AT BREAKOUTS AND 2" AT LOOM ENDS.
- HARNESSES TO HAVE A LABEL WITH THE ORGANIZATION, PART NUMBER, REVISION LEVEL, AND DATE OF MANUFACTURE.
- SPLIT POLY LOOM UNLESS OTHERWISE NOTED.
- OXL WIRE.

NOTES:  
 PROPRIETARY  
 THIS DOCUMENT IS THE PROPERTY OF MORGAN OLSON SERVICE PARTS. IT IS TO BE USED ONLY FOR THE PURPOSES INDICATED. IT IS NOT TO BE REPRODUCED, COPIED, OR TRANSMITTED IN ANY FORM OR BY ANY MEANS, ELECTRONIC OR MECHANICAL, INCLUDING PHOTOCOPYING, RECORDING, OR BY ANY INFORMATION STORAGE AND RETRIEVAL SYSTEM. WITHOUT THE WRITTEN PERMISSION OF MORGAN OLSON SERVICE PARTS, ALL RIGHTS ARE RESERVED.

**MORGAN OLSON**

DATE	T.M.	REVISED	BY	DATE
				28198
DO NOT SCALE	RSK	2009		
HARN FUSE CTR FCC 2009 M-100				
SHT	WORKING NO.	REV		
1 OF 1	098084202	NONE		B

HARNESSES AND LOOM TOLERANCES

UP TO 60"	-0/+2
60" TO 100"	-0/+4
100" TO 200"	-0/+5
200" TO 400"	-0/+6
400" TO 600"	-0/+7
OVER 600"	-0/+8
BO TO BO	-0/+2

LENGTHS APPLY FROM BREAKOUT TO BREAKOUT OR BREAKOUT TO WIRE ENTRY SIDE OF CONNECTOR, OR END OF COVER.