

May, 2001

996799002

UNITED STATES POSTAL SERVICE

2 Ton Walk-In Van
Workhorse Custom Chassis/Grumman Olson Body



GRUMMAN  **OLSON**TM
INDUSTRIES INC.

70180 S. Centerville Rd.
Sturgis, MI 49091-0435
Ph. 1-800-233-4823 Fax. 1-616-659-0499
Internet Address: www.grummanolson.com
www.grummanolsonparts.com

Contents

INTRODUCTION	IV
1 CAB	6
WINDSHIELD FRAME ASSEMBLY	7
WINDSHIELD RAIL ASSEMBLY	7
HOOD INSTALLATION	8
HOOD CONTINUED	9
WINDSHIELD WIPER & MOTOR INSTALLATION	9
HOOD GUIDE INSTALLATION	9
WINDSHIELD WASHER MOTOR/BRACKET ASSEMBLY - 001794201	9
GAS SPRING MOUNTING INSTALLATION	9
DASH PANEL SUPPORT ASSEMBLY	10
CAB TIE DOWN	10
SADDLE PLATE	10
DASH PANEL & TOEBOARD INSTALLATION	10
DASH PANEL ASSEMBLY	10
PARKING BRAKE GUSSET	10
TRANSVERSE FLOOR	11
INSTRUMENT PANEL	11
HEATER INSTALLATION	11
SEAT INSTALLATION	12
HI BACK BUCKET SEAT INSTALLATION	12
ENGINE BOX INSTALLATION	12
JUMP SEAT INSTALLATION	12
STEP INSTALLATION	13
2 ROOF	14
ROOF INSTALLATION	15
ROOF ASSEMBLY	15
3 SIDES	16
FUEL FILL INSTALLATION	17
SIDE ASSEMBLY	17
BULKHEAD INSTALLATION	18
LOAD STABILIZER BAR INSTALLATION	18
LINER STIFFENER INSTALLATION	19
4 BACK	20
BACK INSTALLATION	21
5 FLOOR	22
FLOOR ASSEMBLY	23
FLOOR OVERLAY	23

6 DOORS	24
SIDE DOOR INSTALLATION	25
DOOR POCKET INSTALLATION	26
ROLL UP DOOR INSTALLATION	27
7 LOCK & LATCH	28
LOCK & LATCH INSTALLATION (BULKHEAD, SIDE DOORS & REAR DOORS)	29
8 BUMPERS	30
BUMPER REAR	31
BUMPER FRONT	31
9 ELECTRICAL	32
ELECTRICAL	33
INSTRUMENT PANEL WIRING INSTALLATION	33
ROOF WIRING INSTALLATION	33
REAR WIRING INSTALLATION	33
ROOF NOSE WIRING INSTALLATION	33
HOOD WIRING INSTALLATION	33
ELECTRICAL	34
10 MISCELLANEOUS	35
HAND CART BRACKET INSTALLATION	36
TOEBOARD MAT/TRIM ANGLE INSTALLATION	36
SUN VISOR INSTALLATION.....	36
CHASSIS PREP	37
SMART VENT INSTALLATION	37
SHELF AT DOOR POCKET ASSEMBLY	38
SHELVING INSTALLATION - FOLD	38
SHELF LOWER ASSEMBLY LEFT	38
SHELF LOWER ASSEMBLY RIGHT (SHORT)	38
SHELVING INSTALLATION - FOLD	39
SHELF UPPER ASSEMBLY	39
RETAINER TRACK INSTALLATION	40
ORDER FORM	41
INDEX	43

INTRODUCTION

This parts book contains illustrations and parts numbers for the United States Postal Service 2 ton Walk-In Van on a Workhorse Euscom chassis and applies to bill of material # 01000001 produced in 2001.

This book has been divided into chapters. Each chapter has illustrations with part numbers and descriptions. Each part is pointed out to help identify it.

The notation 'Left' or 'Right' in the description of a part indicates the part is a left-hand or right-hand non-interchangeable part. Notations of left and right should be carefully read and considered when identifying parts.

PROCEDURE TO ORDER PARTS

1. Depending on the part desired, turn to the appropriate chapter.
2. Locate the desired part on the illustration page(s) and note it's number.
3. Contact a Grumman Olson Service Products representative. Have part numbers readily available.
4. When placing orders, specify serial number, body size (length, width and height), date and make of chassis, wheelbase, tire size, and rear axle configuration.

ADDITIONAL COPIES OF THIS CATALOG MAY BE OBTAINED BY ORDERING THE PART NUMBER LISTED ON THE FRONT COVER.

FOR WARRANTY INFORMATION CALL 1-800-477-8287.

Any questions or concerns should be directed to
your Service Products Representative at
1-800-233-4823.

HOW TO ORDER PARTS

SERVICE PARTS ORDERS SHOULD BE FORWARDED TO:

GRUMMAN OLSON SERVICE PRODUCTS

70180 S. CENTERVILLE RD.

STURGIS MI 49091

OR CALL

1-800-233-4823 (U.S.)

1-800-786-5766 (CANADA)

(616) 659-0499 FAX

1-800-477-8287 WARRANTY

A Parts Order Form has been supplied at the end of this book. Complete this form and mail or fax to Grumman Olson at the above address. Please have all necessary information ready when calling or faxing order. The body number is found on the vehicle identification tag located in the cab area of the truck. Should the vehicle identification tag be lost, please advise and specify make of chassis, year, serial number and complete body information.

All parts are shipped freight prepaid unless otherwise specified.

All parts returned for credit must be shipped freight prepaid to Grumman Olson Service Products at the above address. Please call and make return arrangements prior to shipment.

Contact your Service Products representative for specific part numbers.

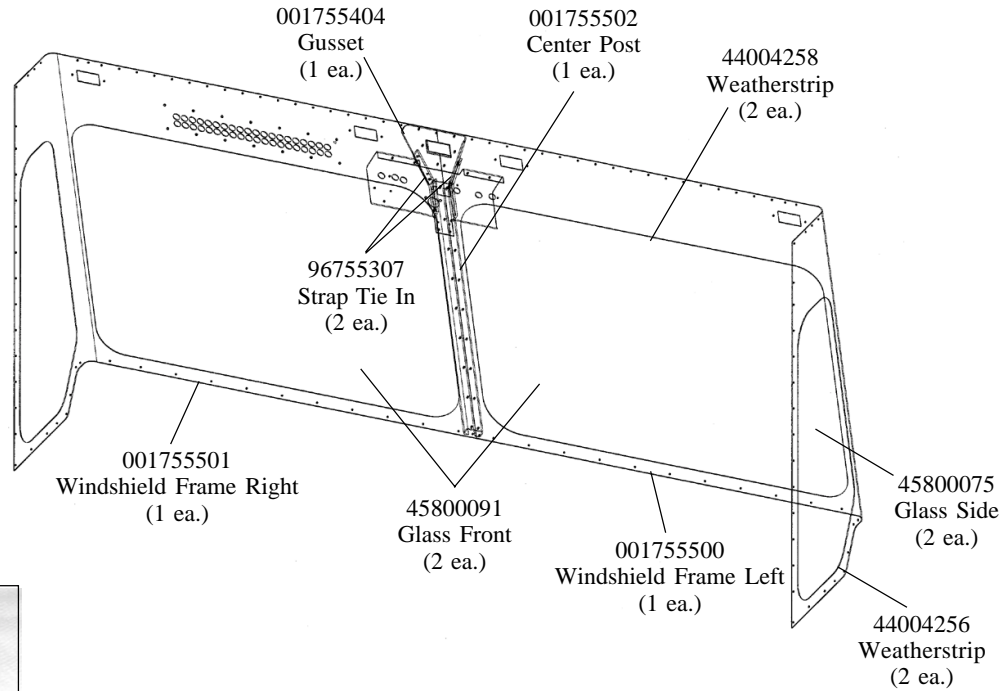
VEH MFD BY WORKHORSE CUSTOM CHASSIS		DATE	<input type="text"/>
BODY BY GRUMMAN OLSON		WARRANTY EXP. DATE	<input type="text"/>
GVWR 14100 LB 6398 KG			
GAWR FRT 5000 LB 2273 KG TIRE 8.00RX19.5/E			
RIM 19.5XB.0 70 PSI 483 KPA COLD			
GAWR RR 11000 LB 5000 KG TIRE 8.00RX19.5/E			
RIM 19.50XB.0 85 PSI 588 KPA COLD DUAL			
U.S.P.S. NO:		<input type="text"/>	
U.S.P.O. ORDER NO: 102594-01-B-1339			
VEH TYPE:		THIS VEHICLE CONFORMS TO ALL APPLICABLE FEDERAL MOTOR	
TRUCK PARCEL		VEHICLE SAFETY STANDARDS IN EFFECT ON THE DATE OF THE	
DELIVERY		MANUFACTURE SHOWN ABOVE	
VEH I.D.		<input type="text"/>	
V.I.N. NO.		<input type="text"/>	
BODY I.D. NO.		<input type="text"/>	

VEHICLE DIMENSIONS
OAH 115.0
OAW 89.9
OAL 243.0

1 CAB

WINDSHIELD FRAME ASSEMBLY

001755250



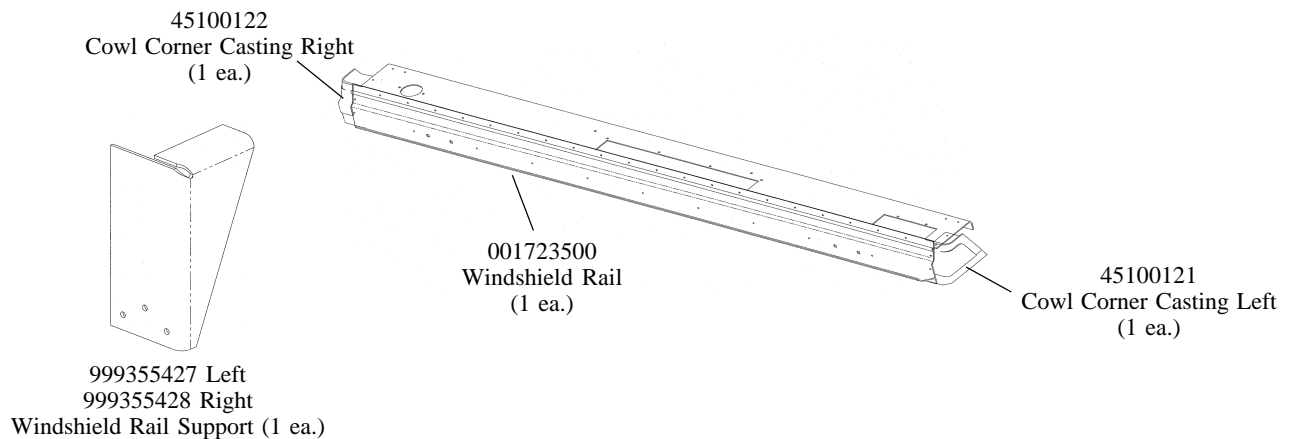
44004200 Filler Strip (38 ft.)

Not Shown

- 999355425 Windshield Stiffener Left (1 ea.)
- 999355426 Windshield Stiffener Right (1 ea.)

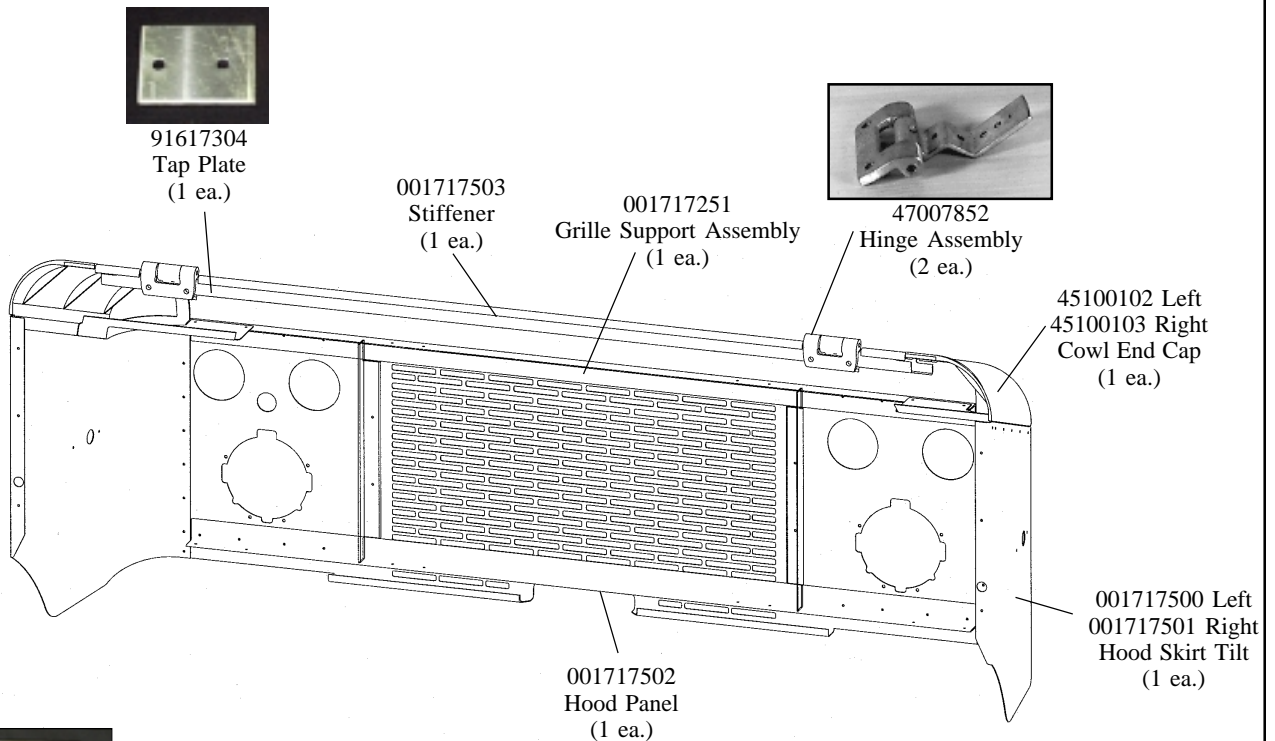
WINDSHIELD RAIL ASSEMBLY

001723250

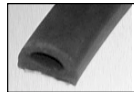


HOOD INSTALLATION

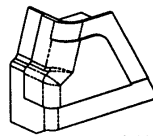
001717050



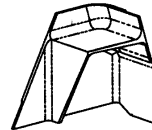
89321314
Headlamp Panel
(2 ea.)



44004056
Hood Seal
(4 ft.)



45100121 Left
45100122 Right
Cowl Corner Casting
(1 ea.)



92417315ND
Hood Hinge Shim
(2 ea.)



92417311 Left Shown
92417312 Right
Corner Gusset Left
(1 ea.)

Not Shown
92417315ND Hood Hinge (3 ea.)

47008545
Vent 2Way Hingeless
(1 ea.)

HOOD LATCH & STOP INSTALLATION

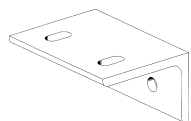
93816004



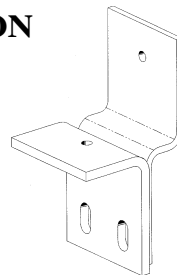
44002004
Rubber Bumper
(2 ea.)



47000613
Hood Latch
(2 ea.)



93816308
Hood Rest Angle
(2 ea.)



93816201
Hood Rest Bracket
(2 ea.)



001705500 Left
001705501 Right
Cab Skirt (1 ea.)

001722500 Left
001722501 Right
Skirt Tail (1 ea.)

HOOD CONTINUED

HOOD GUIDE INSTALLATION 91615001



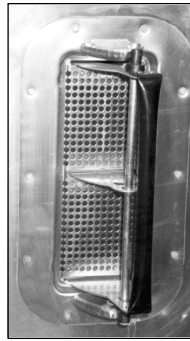
91615301
Plate Guide
(2 ea.)



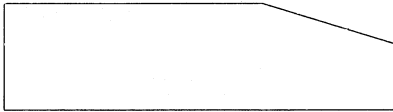
44000221
Hood Guide
Plastic
(2 ea.)



91615302
Plate Receiver
(2 ea.)

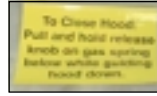


79831001
Hingeless Vent
(2 ea.)



45200072
Splash Pan (2 ea.)

GAS SPRING MOUNTING INSTALLATION 96317017



43000597
Label Instruction
(1 ea.)



40900019
Ball Stud
(4 ea.)



96317301
Bracket
(1 ea.)



40900020
Stud Ball Clip
(4 ea.)



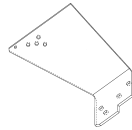
47006018
Spring Shock
(2 ea.)



47006051
Gas Spring
(1 ea.)



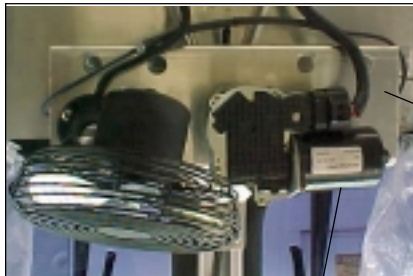
91616309
Angle Mount
(2 ea.)



96317326
Hood Prop Bracket (1 ea.)

WINDSHIELD WIPER & MOTOR INSTALLATION

WINDSHIELD WASHER MOTOR/ BRACKET ASSEMBLY - 001794201



001755405
Wiper Motor Bracket
(1 ea.)

47004115
Wiper Motor
(1 ea.)



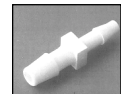
47004065
Wiper Wet Arm (2 ea.)



47004097
Windshield Wiper Blade (2 ea.)



1101694
Washer Tee
(1 ea.)



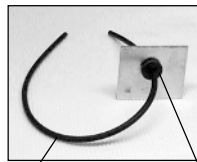
47006602
Fitting (2 ea.)



1114989
Reservoir With Pump
(1 ea.)



1113539
Hole Plug (4 ea.)



1107122
Washer Hose
(20 ft.)

44000069
Grommet
(2 ea.)

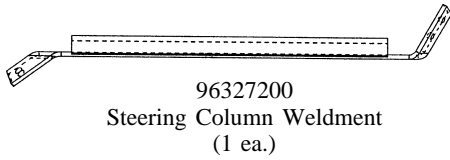


96363301
Washer Bottle
Bracket (1 ea.)

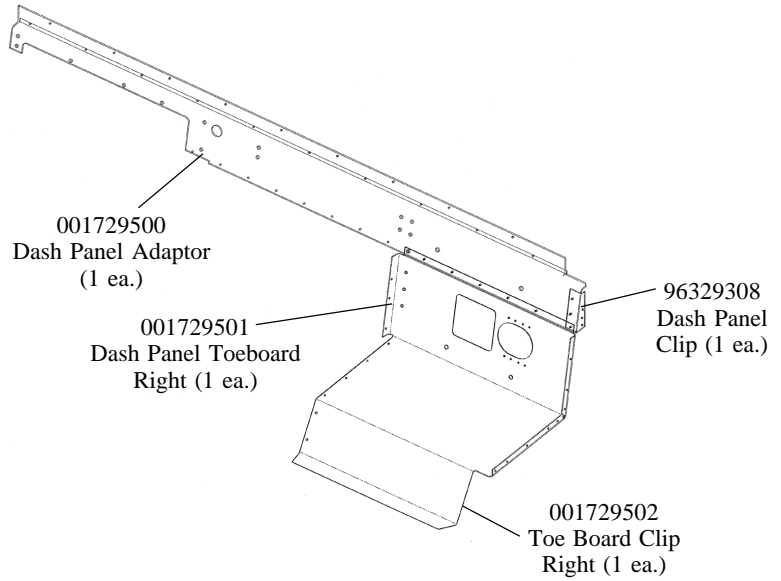


96363302
Washer Bottle
Support
(1 ea.)

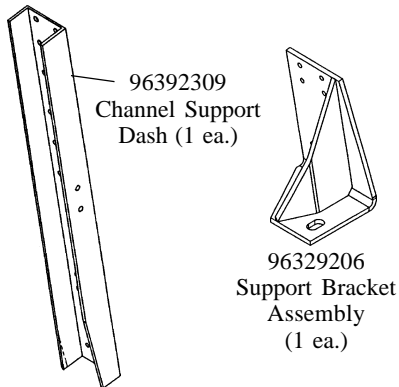
**CAB TIE DOWN
001706250**



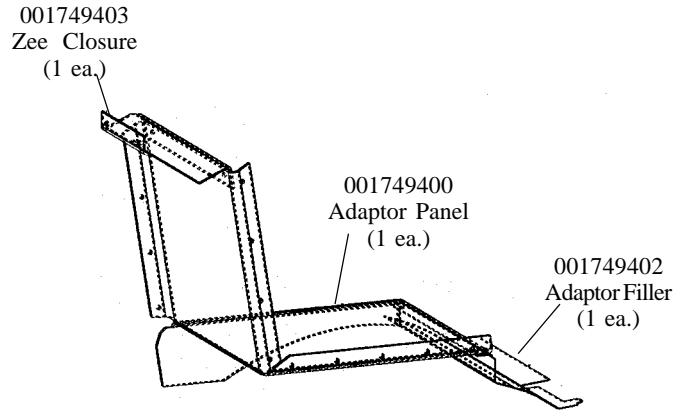
**DASH PANEL ASSEMBLY
001729250**



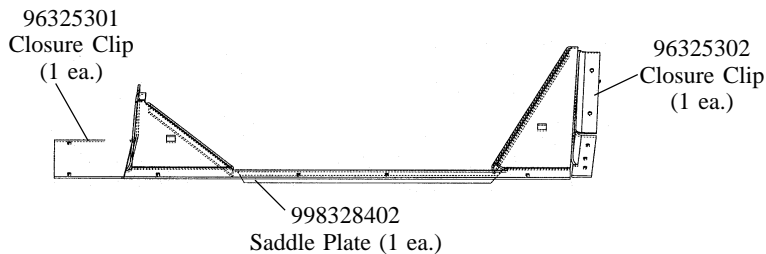
**DASH PANEL SUPPORT
ASSEMBLY 96329207**



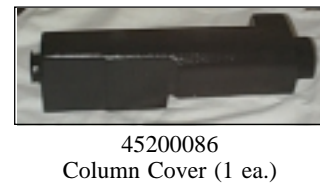
**DASH PANEL & TOEBOARD
INSTALLATION 001749001**



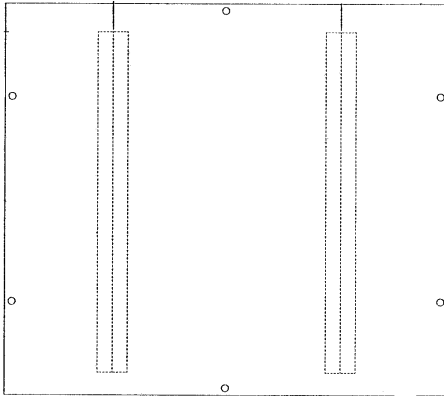
**SADDLE PLATE
998325001**



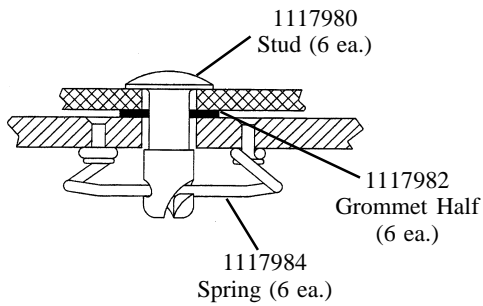
COLUMN COVER



**TRANSVERSE FLOOR
96724056**



96724263
Transverse Floor Weldment Assembly
(1 ea.)



**HEATER INSTALLATION
001780002**



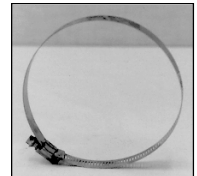
001712200
Heater Kit (1 ea.)



1114712
Hose Clamp (4 ea.)



1107079
Grommet
(2 ea.)



1114640
Clamp 4.00"
(2 ea.)

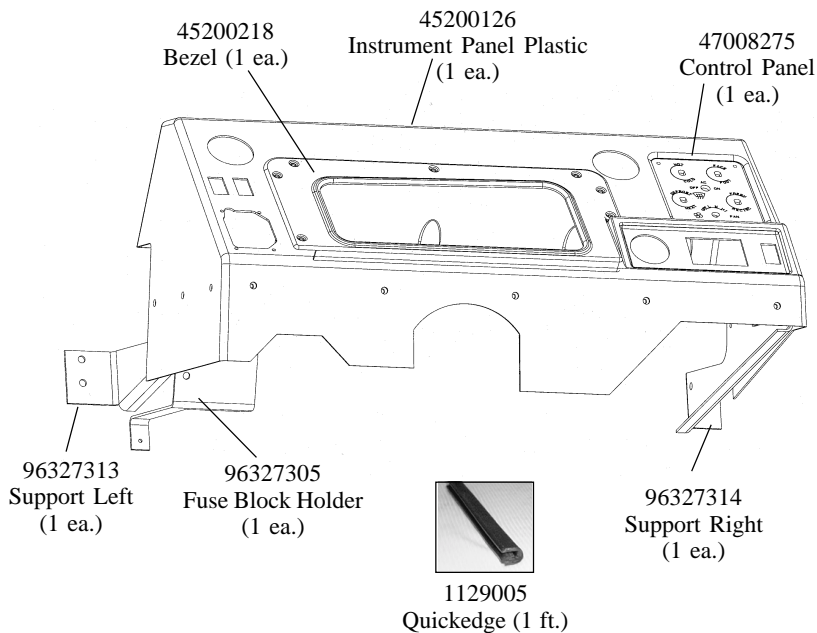


1114103
Flex Hose (1 ea.)

Not Shown

- 46021008 Metal Clamp (1 ea.)
- 46021109 Clamp Con Torq (2 ea.)
- 998312200 Heater Core (1 ea.)
- 998328400 Adaptor Clip
10.28" x 16.04" (1 ea.)

INSTRUMENT PANEL - 001727050



96327315
Support Center (1 ea.)

Not Shown

- 46004416 Grommet (2 ea.)
- 44000065 Grommet (1 ea.)



SEAT INSTALLATION

HI BACK BUCKET SEAT INSTALLATION - 001707001



47002008
Seat Belt 7"
(1 ea.)

47002005
Hi-Back Bucket Seat
(1 ea.)

47002643
Upper Seat Pedestal
(1 ea.)

47002009
Seat Base
(1 ea.)

Seat Socket Installation
Non Tilt 001779050
(1 ea.)

Not Shown
47008287 Knob (1 ea.)

JUMP SEAT INSTALLATION 001714001



95001414
D-Loop Doubler
(1 ea.)

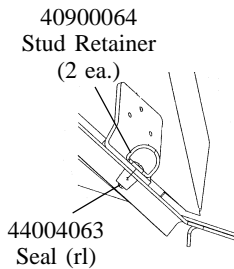
47002452
Head & Back Rest
(1 ea.)

47002597
Seat Belt With Boot
(1 ea.)

47002006
Jump Seat
(1 ea.)

001714401
Reinforcement Panel
(1 ea.)

ENGINE BOX INSTALLATION 001728001



47000932
Latch Adjustable
(2 ea.)

998328403
Engine Box Tab Right
(1 ea.)

998328404
Engine Box Tab
Left (1 ea.)

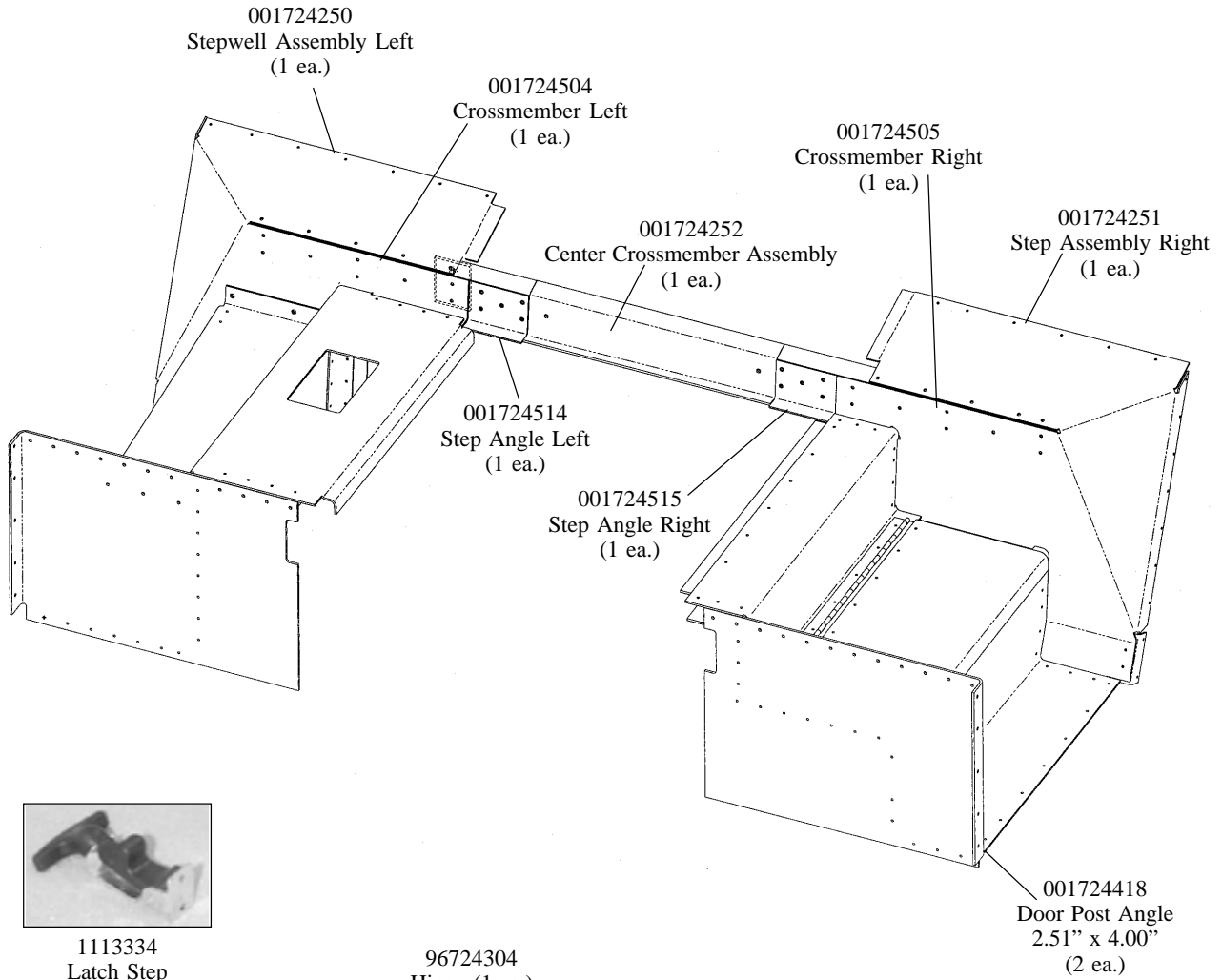
45200984
Engine Box Assembly
(1 ea.)

Not Shown

998328401 Adaptor (1 ea.)
96328303 Adaptor Clip (1 ea.)
40100063 Recept Snap In (2 ea.)
40900076 Stud (2 ea.)

STEP INSTALLATION

001724050



1113334 Latch Step (1 ea.)

96724304 Hinge (1 ea.)



Not Shown
96724322 Auxiliary Step Gusset (1 ea.)

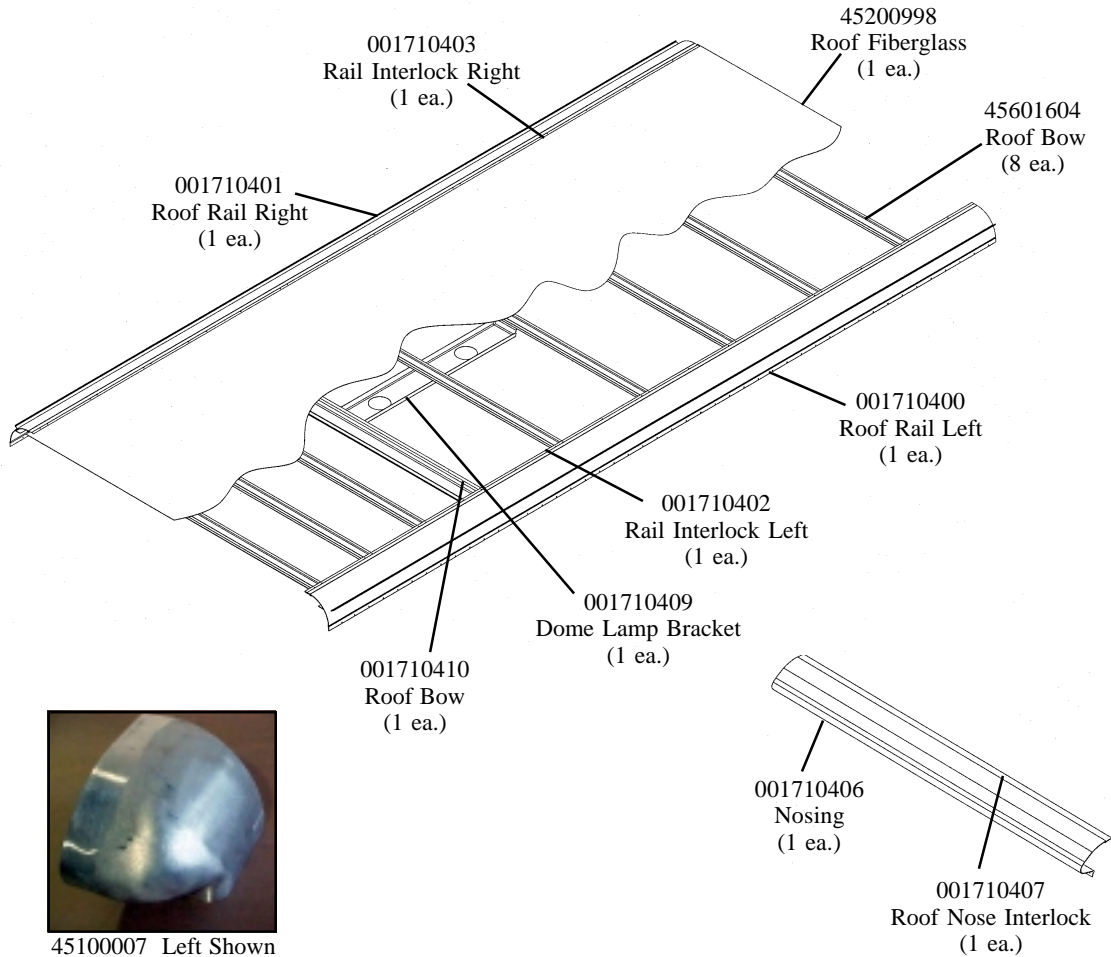
2 ROOF

ROOF INSTALLATION

001710001

ROOF ASSEMBLY

001710200

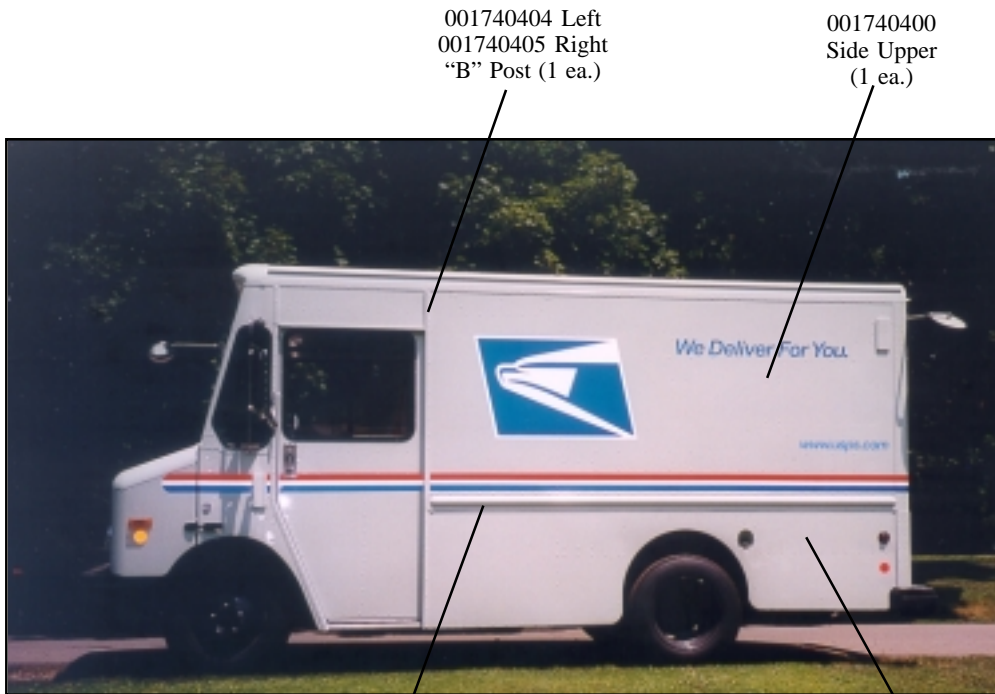


45100007 Left Shown
45100008 Right Opposite
Front Roof Corner Casting
(1 ea.)

Not Shown
1109001 Insulation 1" Fiberglass (11 ft.)
001710408 Roof Transom Interlock (1 ea.)

3 SIDES

SIDE ASSEMBLY



001740404 Left
001740405 Right
"B" Post (1 ea.)

001740400
Side Upper
(1 ea.)

001740401
Rub Rail (1 ea.)

001740500 Left
001740501 Right
Panel Lower
(1 ea.)

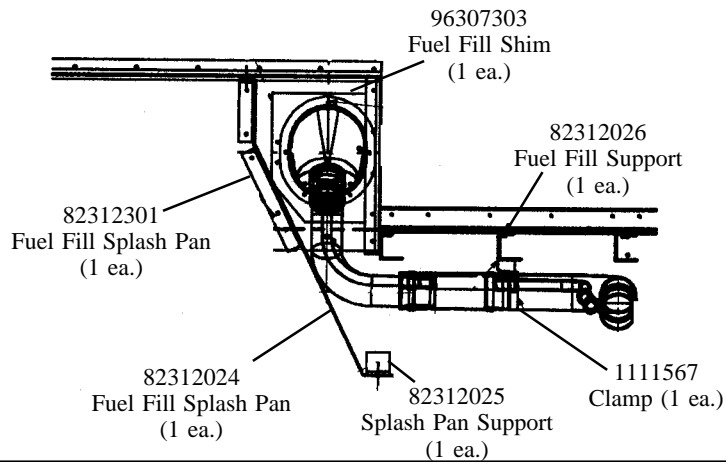


45100011
Rub Rail Cap
(2 ea.)

Not Shown

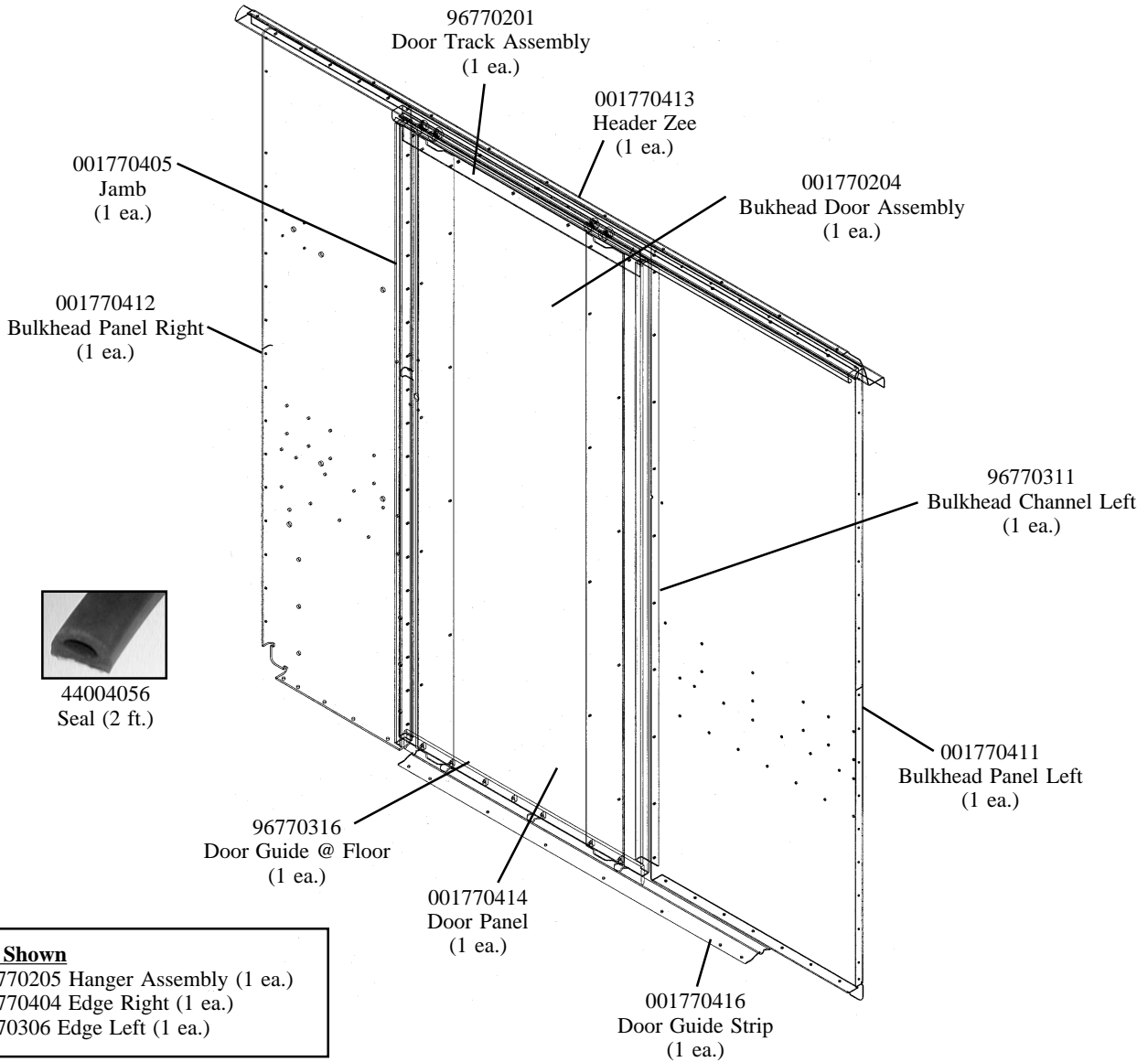
001744001 Gusset Strap Installation (1 ea.)

FUEL FILL INSTALLATION 96307002

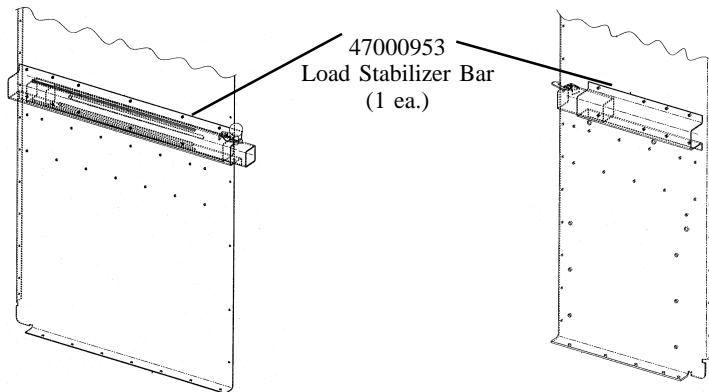


BULKHEAD INSTALLATION

001770002

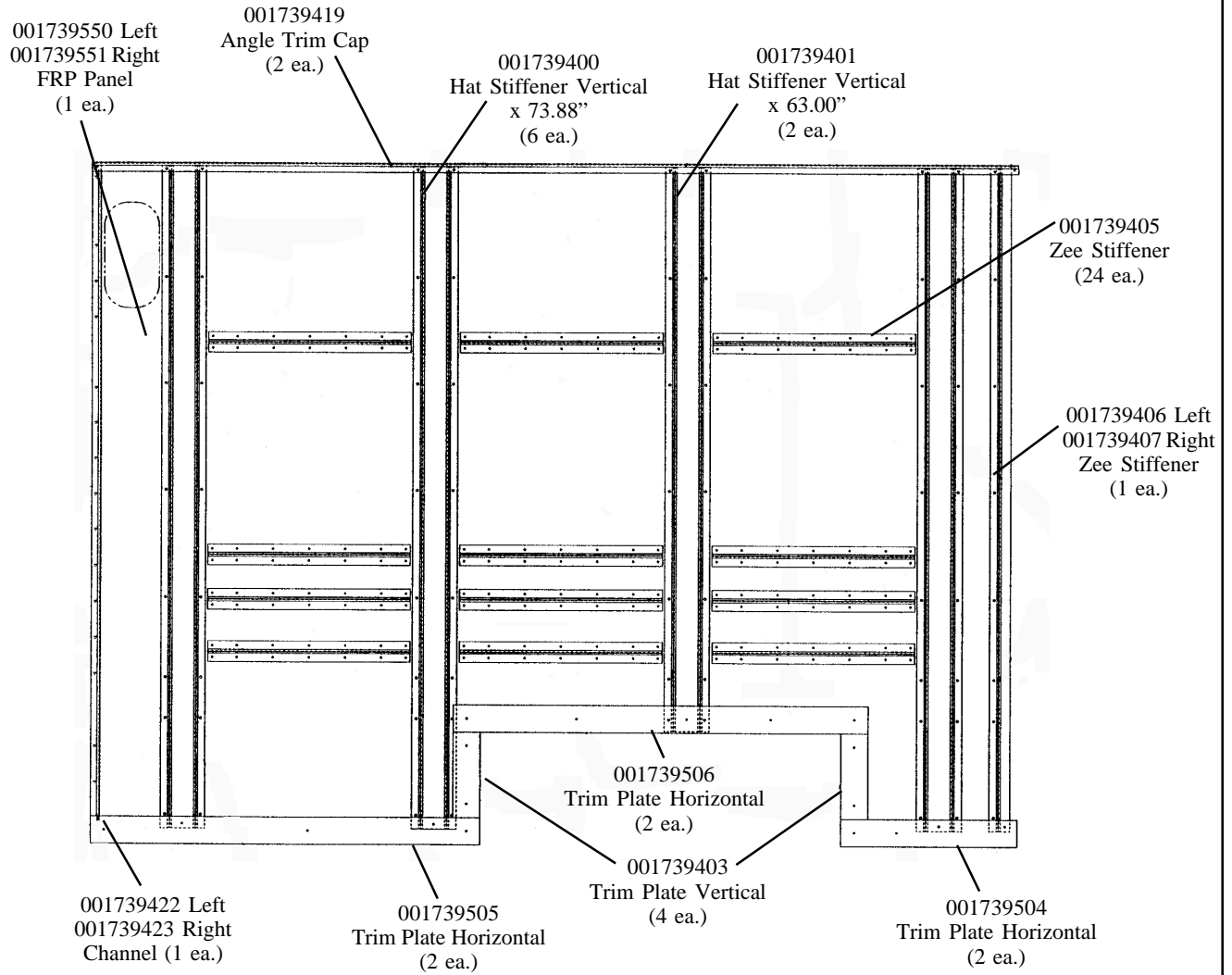


LOAD STABILIZER BAR INSTALLATION 001739003



LINER STIFFENER INSTALLATION

001739050

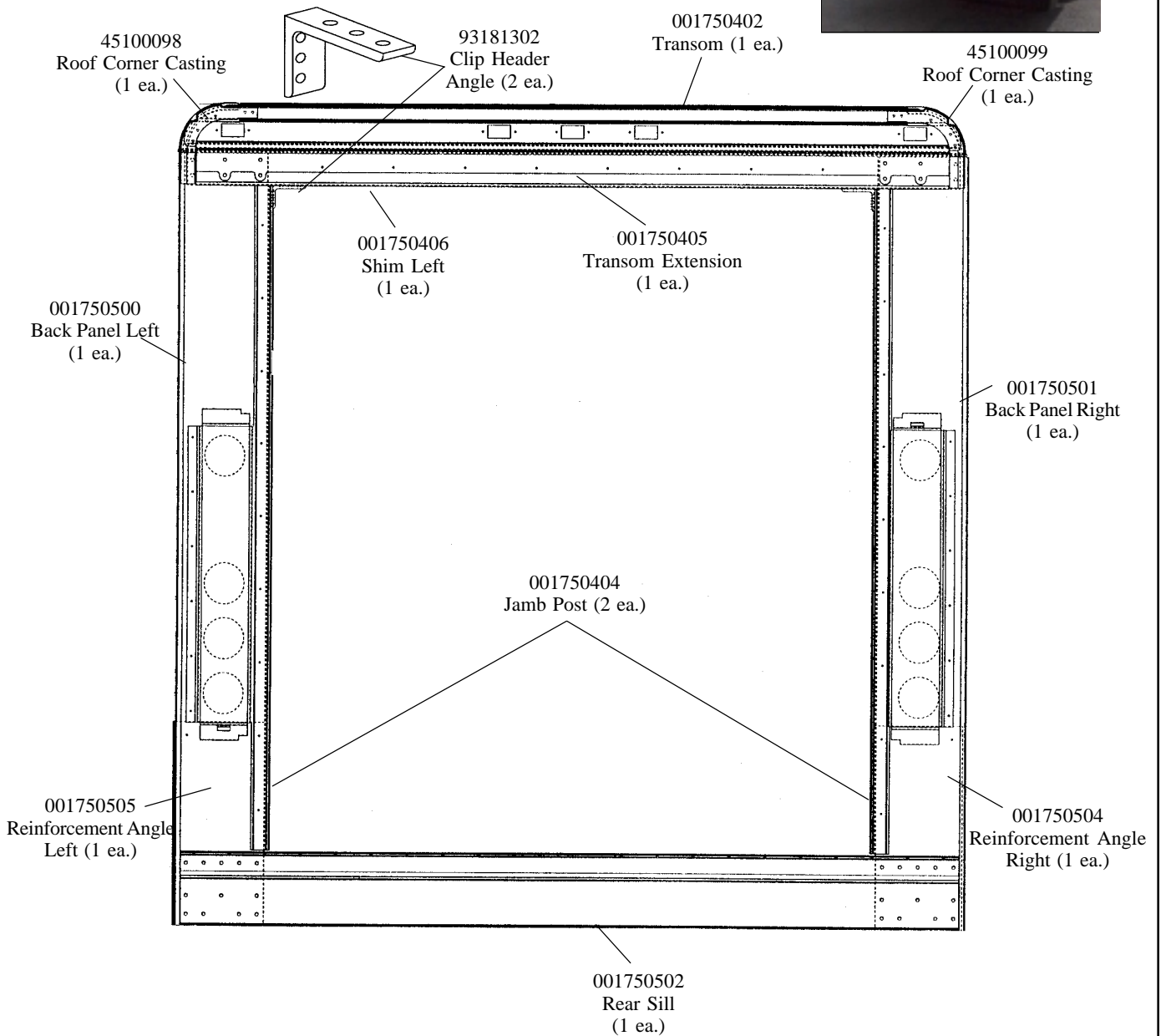


4 BACK

BACK INSTALLATION

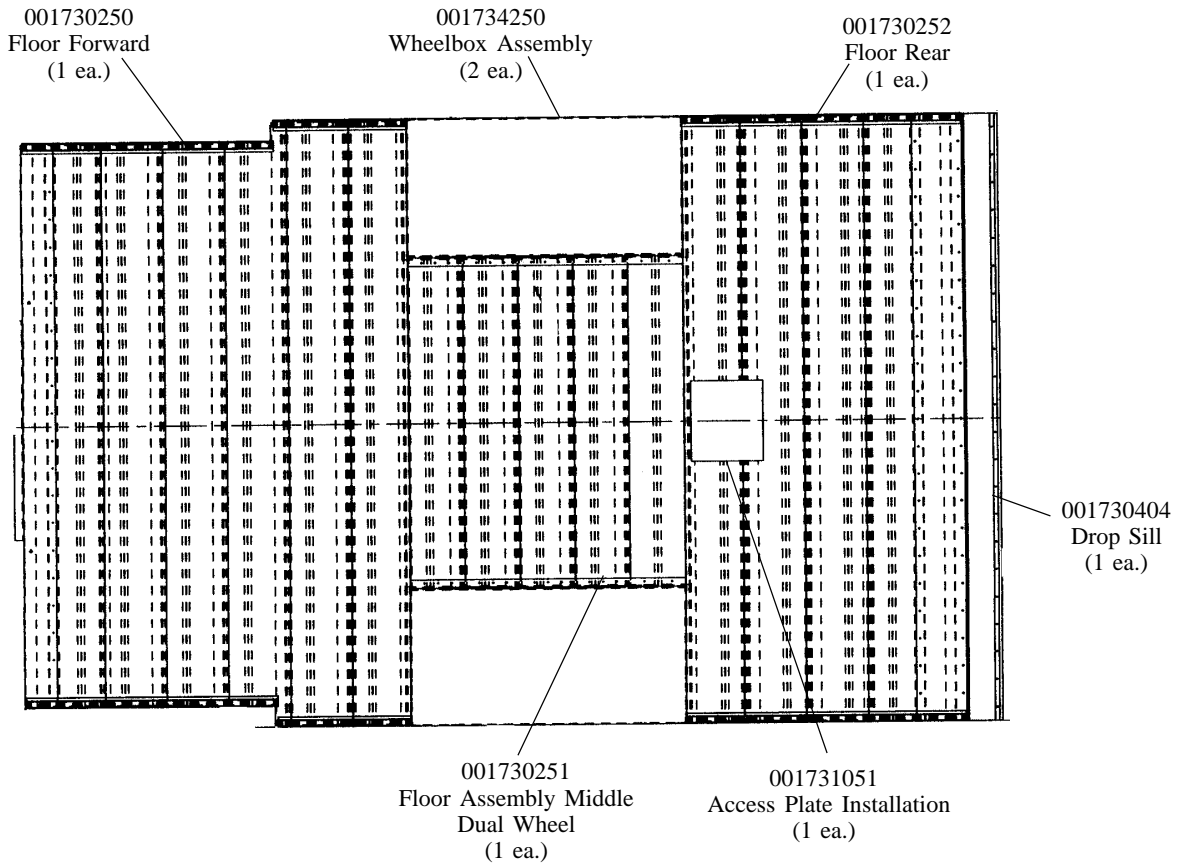
001750050

Back Assembly 001750250

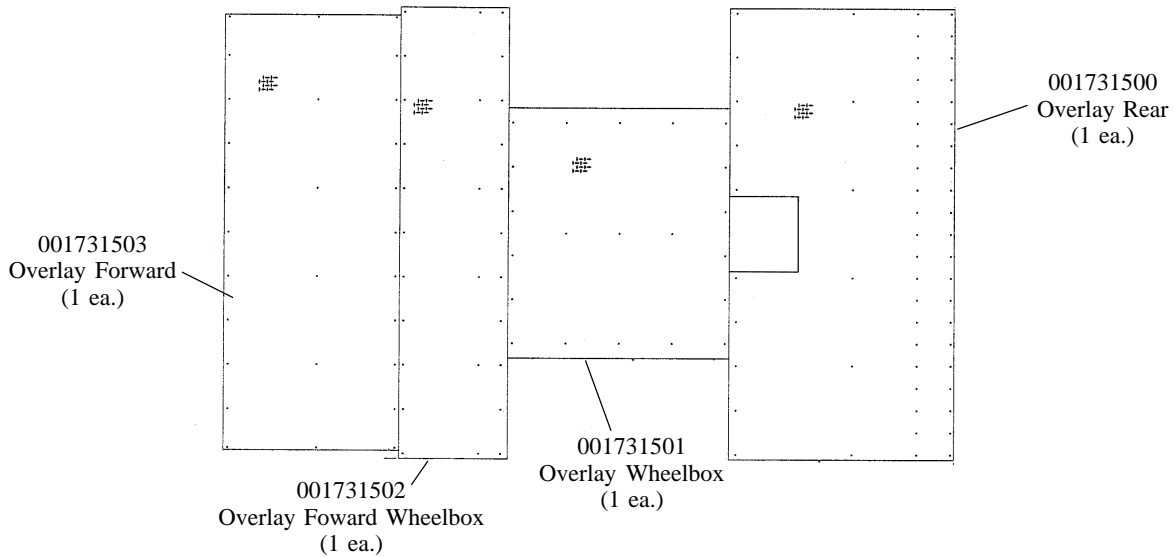


5 FLOOR

FLOOR ASSEMBLY 001730050



FLOOR OVERLAY 001731050

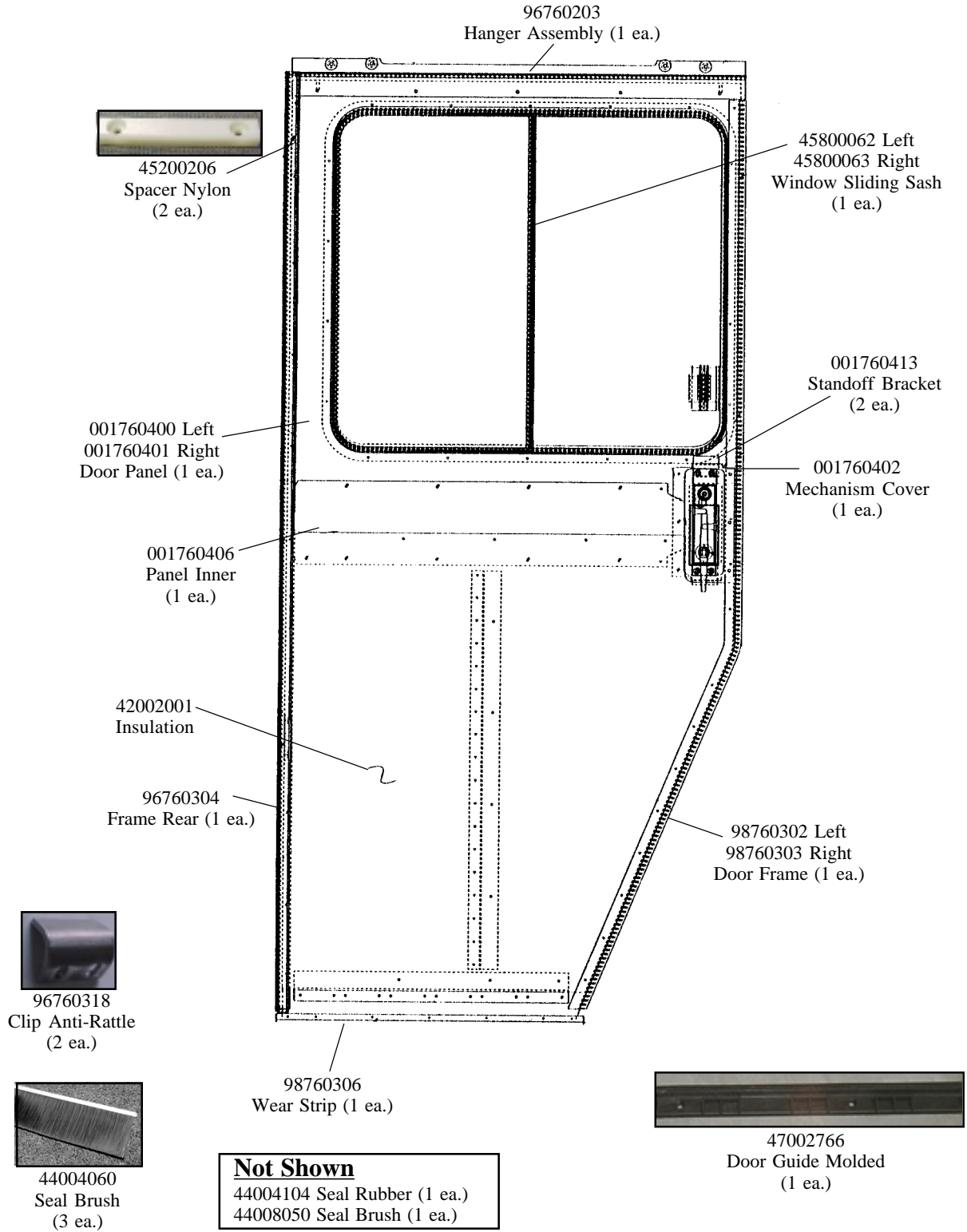


6 DOORS

SIDE DOOR INSTALLATION

001760001 LEFT - 001760002 RIGHT

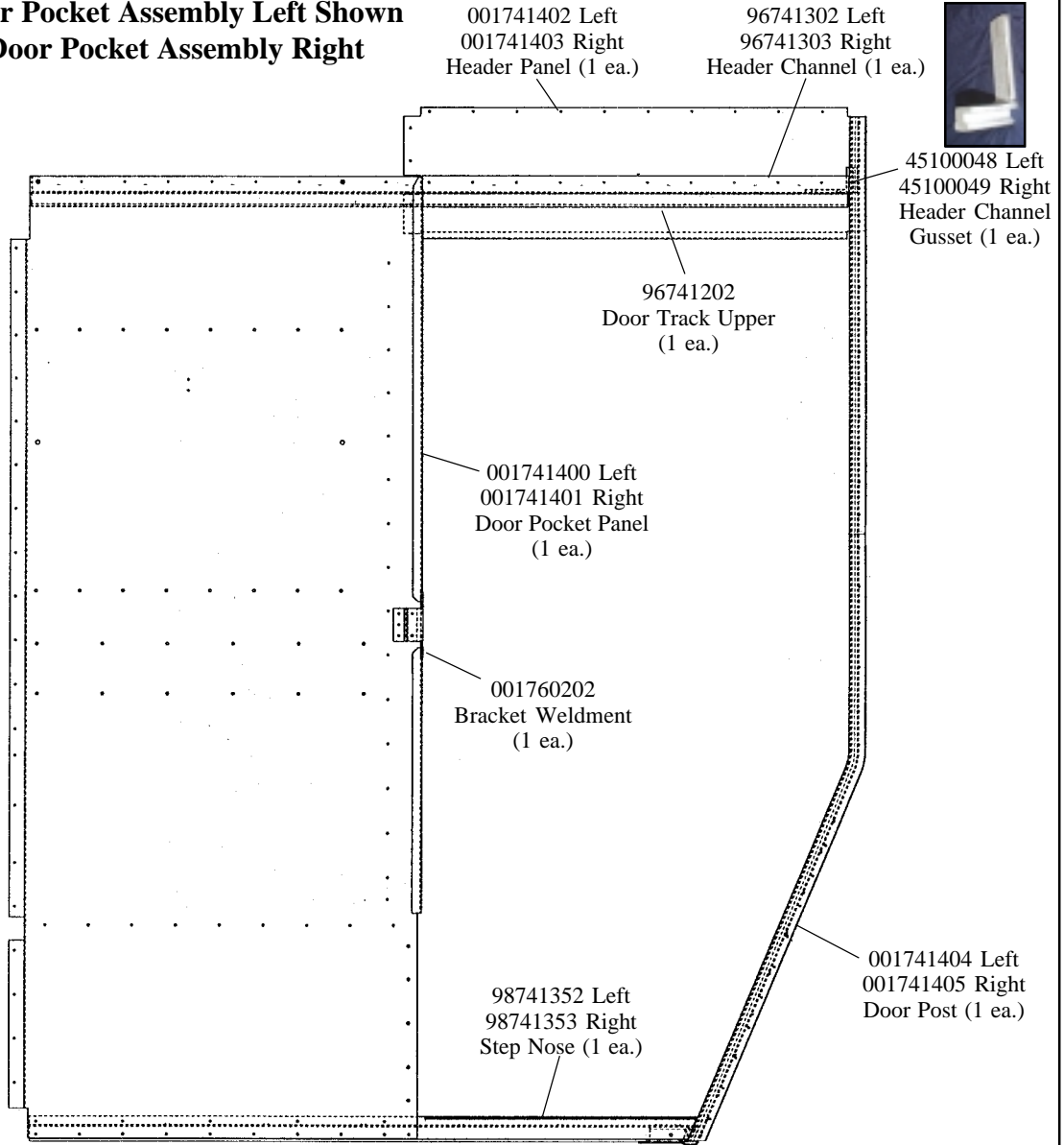
001760200 Door Side Assembly Left - Shown
001760201 Door Side Assembly Right



DOOR POCKET INSTALLATION

001741001 LEFT - 001741002 RIGHT

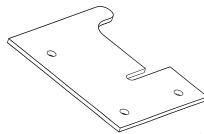
001741200 Door Pocket Assembly Left Shown
001741201 Door Pocket Assembly Right



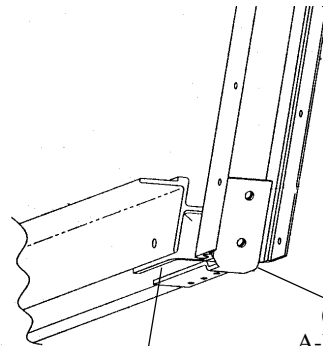
7602963
Door Pocket Cover Left
(1 ea.)



7602964
Door Pocket Cover Right
(1 ea.)



90520301
Fill @ Side Door
(1 ea.)



45100104 Left
45100105 Right
Door Post Lower (1 ea.)

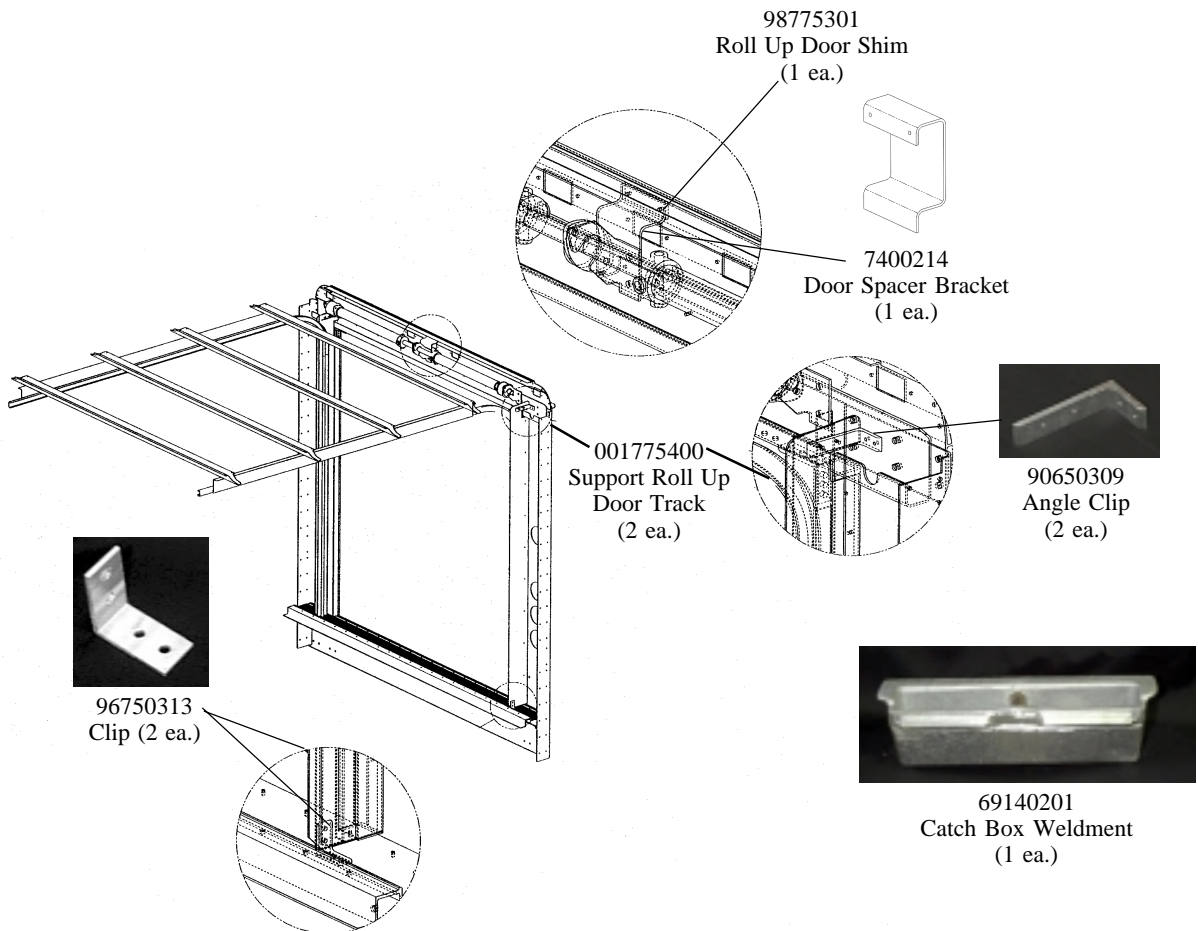
001741407 Left
001741408 Right
A-Post Reinforcement
(1 ea.)

ROLL UP DOOR INSTALLATION

001775001



47004713 Roll Up Door



7 LOCK & LATCH

LOCK & LATCH INSTALLATION 001704002 (BULKHEAD, SIDE DOORS & REAR DOORS)

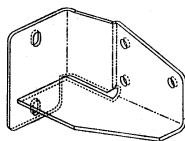
NOT SHOWN

001760403 Shim Latch (4 ea.) (Side Door)
001760405 Shim Forward Strike (2 ea.) (Side Door)
001760411 Bracket Strike Left (1 ea.) (Side Door)
001760412 Bracket Striker Right (1 ea.) (Side Door)
001770408 Shim Door Lock (1 ea.) (Bulkhead)
001770410 Shim Strike (2 ea.) (Bulkhead)
47001016 Door Strike (2 ea.) (Bulkhead)
47001018 Auto Lock Box (1 ea.) (Rear Door)
47001017 Door Strike A & B Post (4 ea.) (Side Doors)
85693025 Rotary Latch (1 ea.) (Bulkhead Door)
85693044 Rotary Latch Left (1 ea.) (Side Door Left)
85693045 Rotary Latch Right (1 ea.) (Side Door Right)
85743402 Carriage Bolt x 2.25" (8 ea.) (Side Door 4 ea.)
40300244 Carriage Bolt x 1.25" (4 ea.) (Bulkhead)

47000954 Latch Kit (1 ea.)
85693050 Lock Cylinder (1 ea.) (Bulkhead)
85693053 Outside Handle (2 ea.)
85693004 Lock Cylinder (Rear Door) (1 ea.)
47000645 Lock Cylinder (1 ea.)
47000646 Key (3 ea.)
44000072 Gasket Rubber (1 ea.)
40900004 Clip Retainer Lock Cylinder (1 ea.)
47000648 Cam Lock Cylinder (1 ea.)
40900005 E-Ring Lock Cylinder (1 ea.)



47001018
Auto Lock Box
(1 ea.)



001760411 Left Shown
001760412 Right
Bracket Forward Strike
Side Door
(1 ea.)



47000954
Latch Kit
(1 ea.)

8 BUMPERS

BUMPER FRONT

001757003



47003752
Front Bumper

Not Shown

001757202 Bumper Bracket Weldment (2 ea.)

BUMPER REAR

001757002



47003773
Rear Bumper

Not Shown

001757201 Rear Bumper Weldment (2 ea.)

9 ELECTRICAL

ELECTRICAL

INSTRUMENT PANEL WIRING INSTALLATION 001784002



46023508 Dome Rocker Switch - Cab (1 ea.) Shown
46023603 Dome Rocker Switch - Front Load (1 ea.)
46023605 Fan Rocker Switch - Dash (1 ea.)

Not Shown

001784201 Instrument Panel Harness (1 ea.)
000481201 Wipe/Wash Lamp Assembly (1 ea.)
44000065 Grommet (1 ea.)

HOOD WIRING INSTALLATION 001785004



46000007
Headlamp (2 ea.)



46021301
Clamp (3 ea.)

Not Shown

89470002 Headlamp Installation (2 ea.)
001785201 Hood Harness (1 ea.)

REAR WIRING INSTALLATION 001786002



46004416
Grommet
(2 ea.)



46021103
Body Clip
(3 ea.)



46023604
Dome Rocker
Switch
(1 ea.)

Not Shown

001786201 Back Harness (1 ea.)
001793200 Transom Harness (1 ea.)

ROOF WIRING INSTALLATION 001793001



1107078
Grommet
(1 ea.)

Not Shown

001793201 Roof Harness (1 ea.)

ROOF NOSE WIRING INSTALLATION 001785003

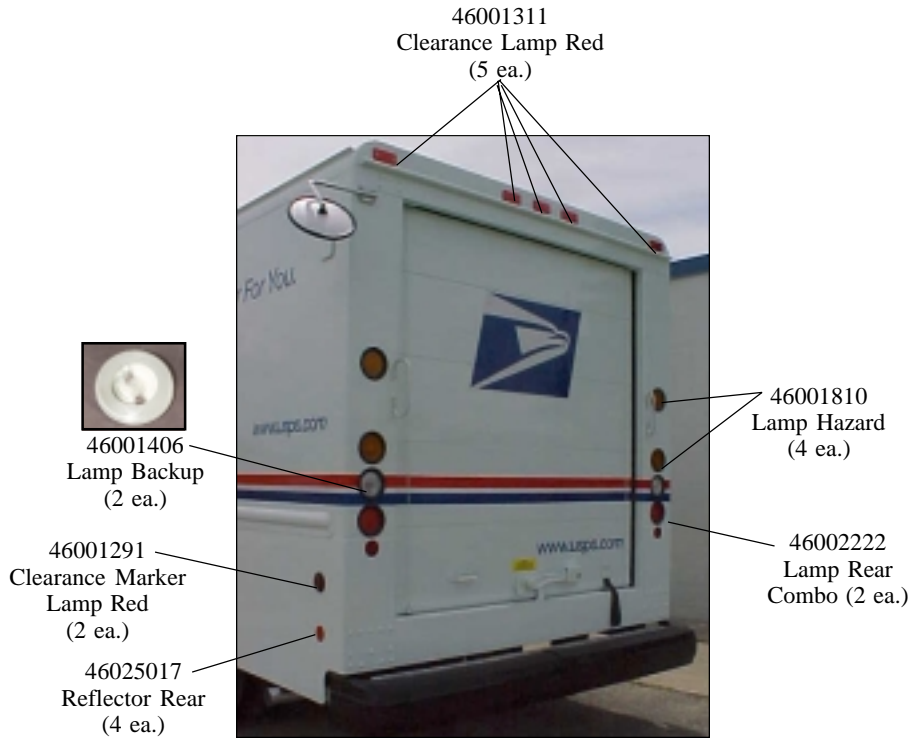


001792001
Fan Installation
Mounted on Wiper Bracket (1 ea.)

Not Shown

001785203 Roof Nose Harness (1 ea.)

ELECTRICAL



46001406
Lamp Backup
(2 ea.)

46001291
Clearance Marker
Lamp Red
(2 ea.)

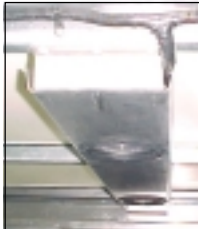
46025017
Reflector Rear
(4 ea.)

Not Shown
88117430 Clearance Lamp Jumper (2 ea.)



46004402
Grommet Round
(14 ea.)

46001310
Clearance Lamp Amber
(5 ea.)



46002608
Dome Lamp Grommet
Mounting
(2 ea.)

46001810
Lamp Hazard (2 ea.)

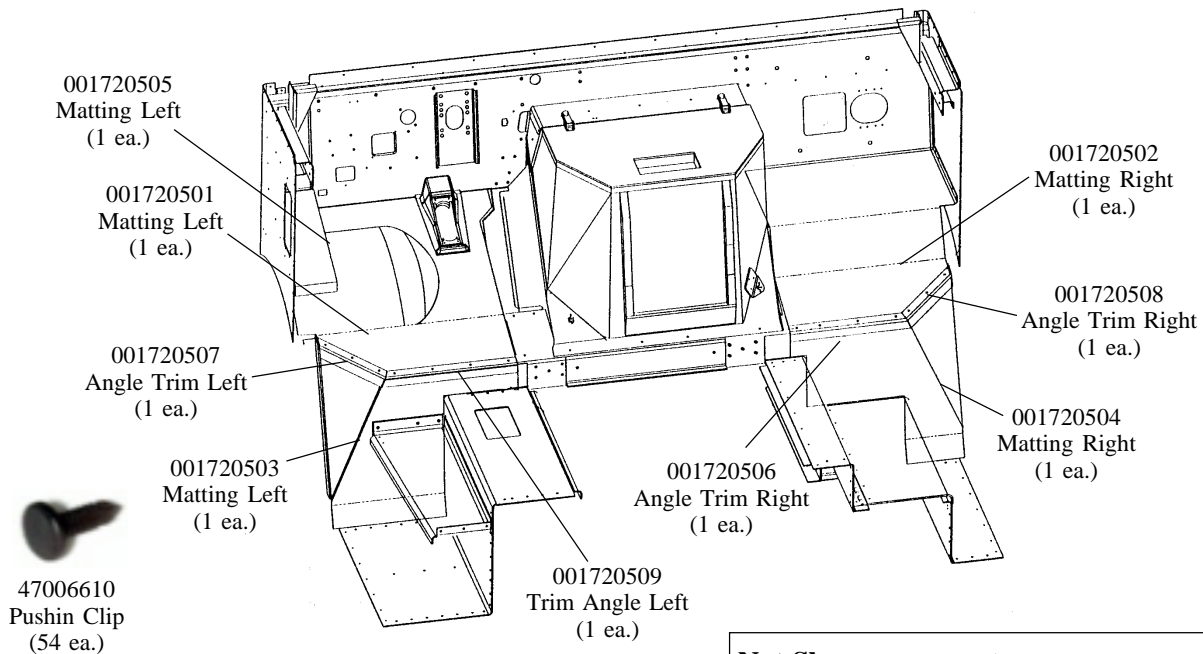
46000802
Lamp Front Park/Turn
(2 ea.)



46002619
Dome Lamp
(1 ea.)

10 MISCELLANEOUS

TOEBOARD MAT/TRIM ANGLE INSTALLATION 001720050



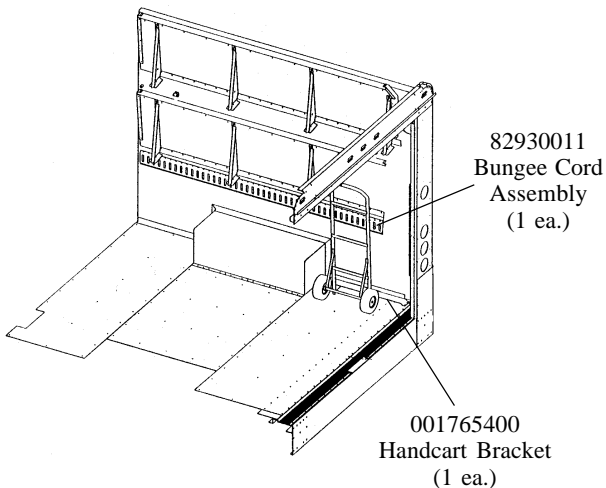
Not Shown

- 001720409 Decal Dash Shelf (1 ea.)
- 001720410 Carpet Left Bulkhead Panel (1 ea.)
- 001720411 Carpet Right Bulkhead Panel (1 ea.)
- 001720412 Carpet Bulkhead Door (1 ea.)
- 42002018 Hood Liner (1 ea.)
- 001720523 Wear Pad Under Gas Pedal (1 ea.)
- 001720525/26 Trim - Saddle (1 ea.)

Not Shown

- 001720510 Acoustical Insulation Dash (1 ea.)
- 001720511 Acoustical Insulation Dash (1 ea.)
- 001720518 Acoustical Insulation Saddle (1 ea.)
- 001720519 Acoustical Insulation Toeboard (1 ea.)
- 001720520 Acoustical Insulation Step (1 ea.)
- 001720527 Acoustical Insulation RH Top C-Chan (1 ea.)
- 001720528 Acoustical Insulation RH C-Chan (1 ea.)
- 001720522 Acoustical Insulation Step (1 ea.)
- 001720415 Acoustical Mat Floor (1 ea.)

HAND CART BRACKET INSTALLATION 001765001

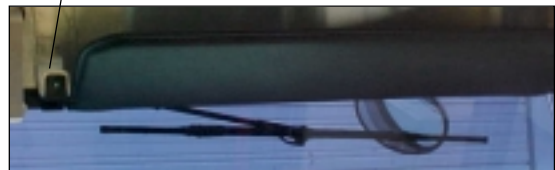


SUN VISOR INSTALLATION 001713004

001713404
Sunvisor Bracket
(2 ea.)

Not Shown

47005578 Mounting Clip (2 ea.)

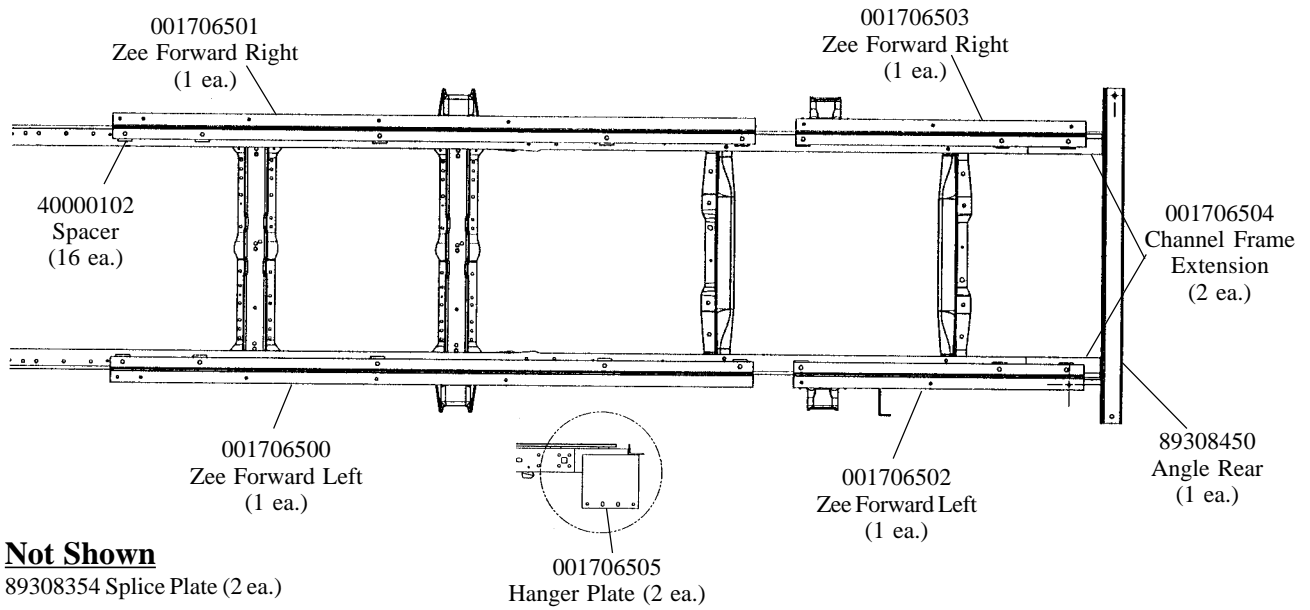


001713403
Sunvisor Clip
(2 ea.)

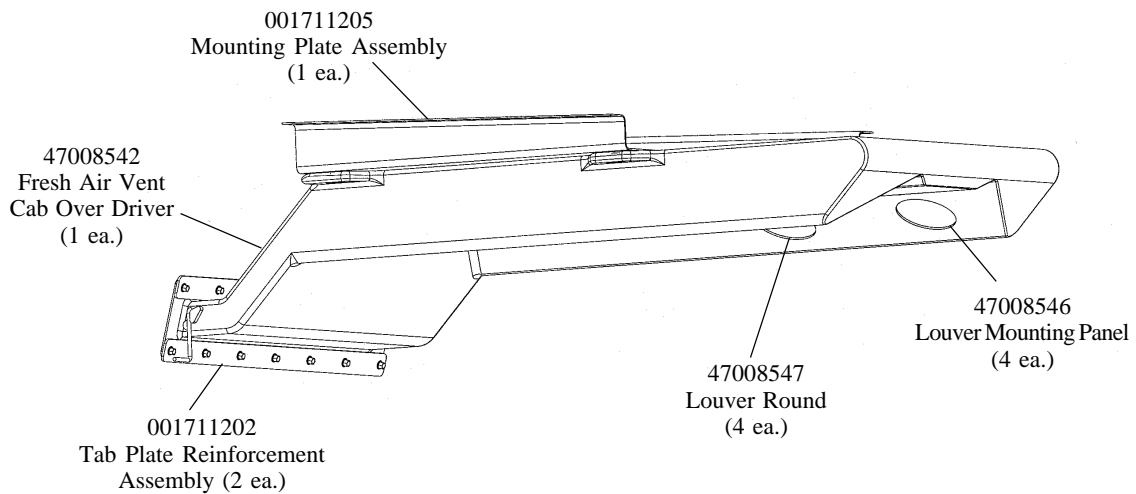
47005571
Sun Visor (2 ea.)



CHASSIS PREP 001706050



SMART VENT INSTALLATION 001711003

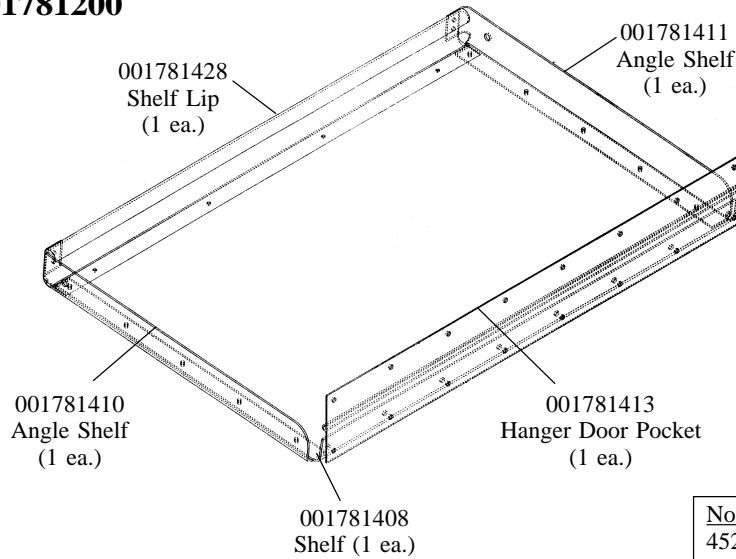


Not Shown
48000504 Foam Filter (4 ea.)

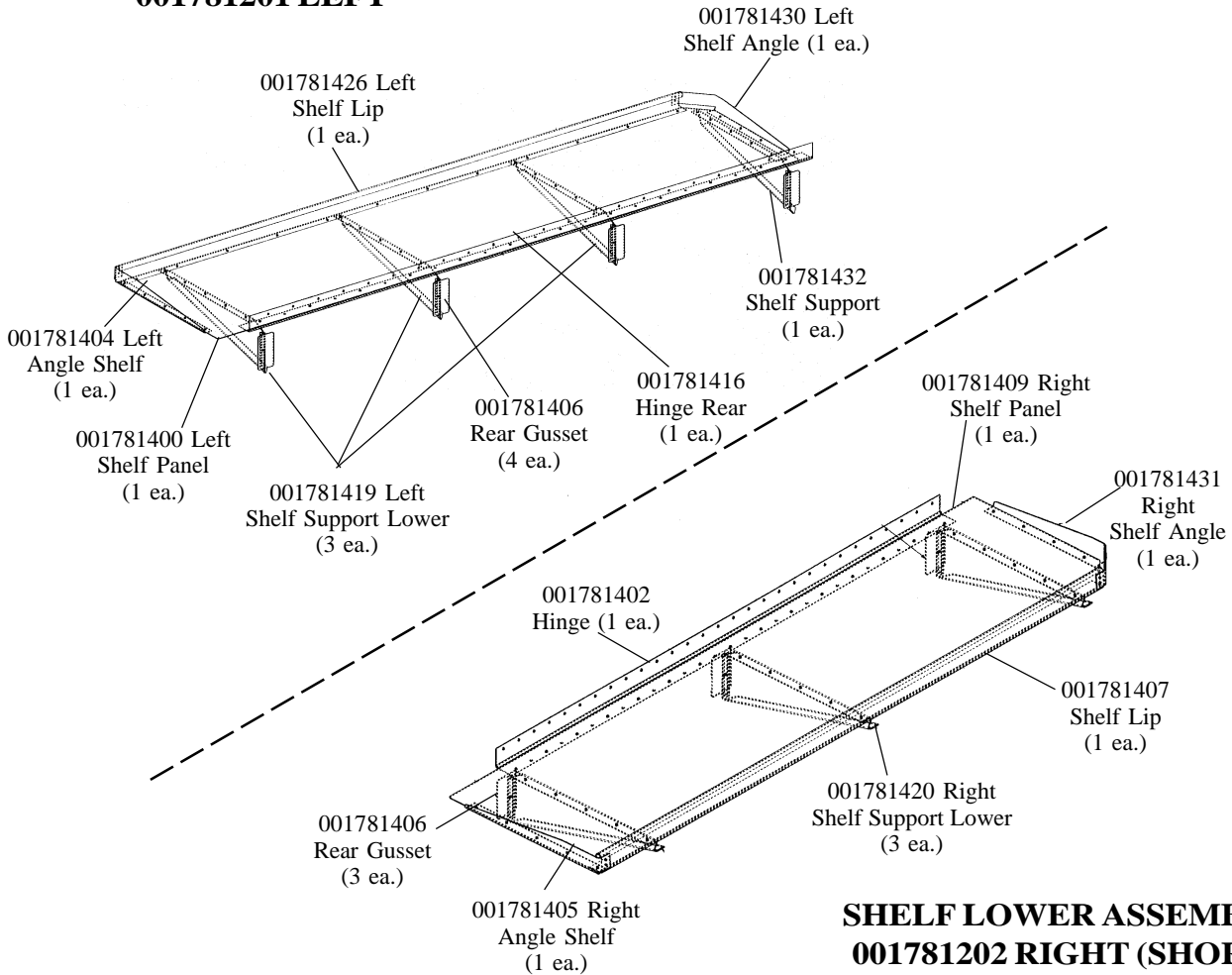
SHELVING INSTALLATION - FOLD

001781001

SHELF AT DOOR POCKET ASSEMBLY 001781200



SHELF LOWER ASSEMBLY 001781201 LEFT



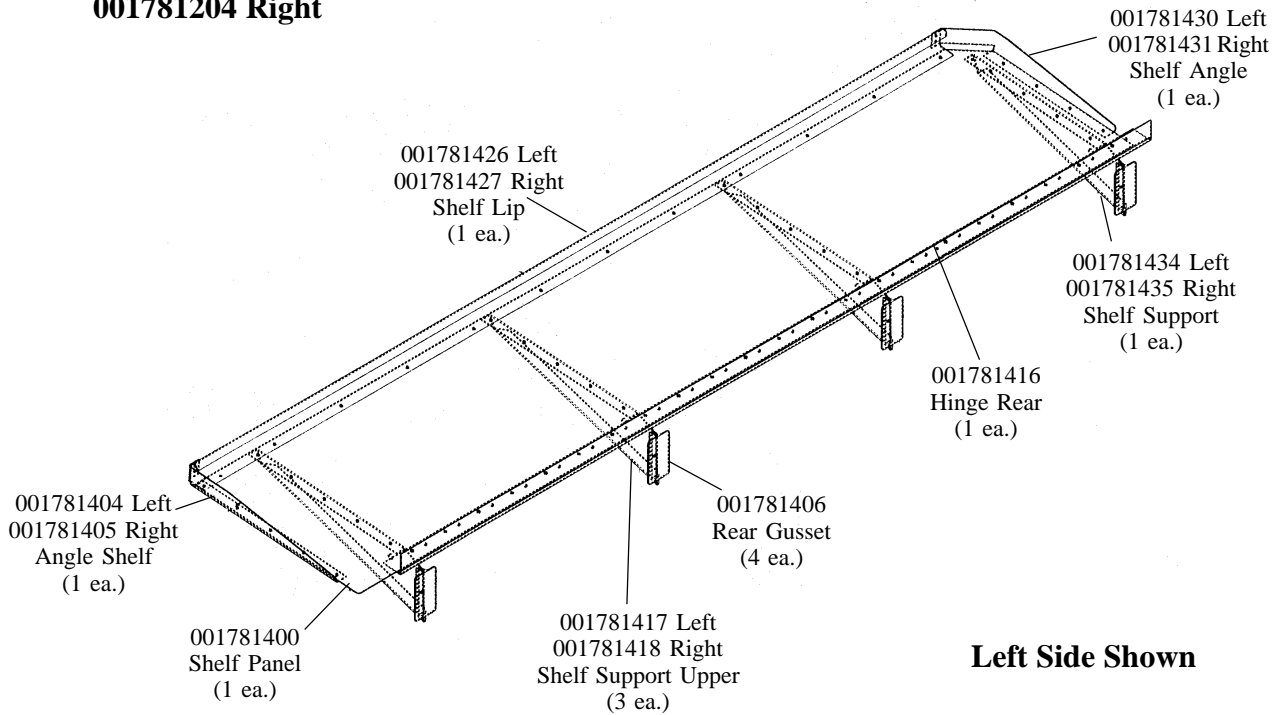
SHELF LOWER ASSEMBLY 001781202 RIGHT (SHORT)

SHELVING INSTALLATION - FOLD

SHELF UPPER ASSEMBLY

001781203 Left

001781204 Right

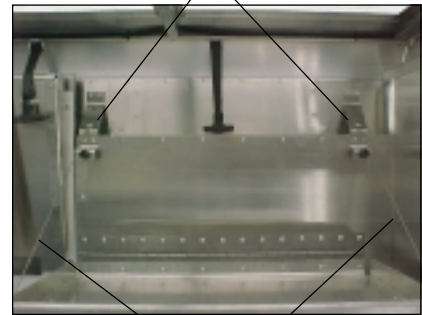


44002011
Rubber Bumper
(20 ea.)

47000511
Flex Latch (12 ea.)



001781442
Zee Clip (4 ea.)



001781421
Cable Assembly
(8 ea.)

Not Shown

001781425 Angle Bracket (4 ea.)

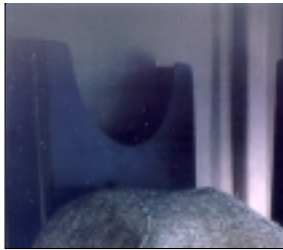
RETAINER TRACK INSTALLATION

001739002



001739501 Track Retainer x 32.00" (2 ea.)
001739502 Track Retainer Left x 26.00" (1 ea.)
001739503 Track Retainer Right x 18.00" (1 ea.)

001739500
Track Retainer x 93.00"
(2 ea.)



85679004
Forms Compartment
(1 ea.)



001713001
Mirror Installation
Right & Left
(1 ea. side)

001713003
Mirror Installation
Crossview Rear
(1 ea.)

001713002
Mirror Installation
Crossview Front
(1 ea.)



90187301
Grab Handle
(4 ea.)

ORDER FORM

Index

A

A-Post Reinforcement	26
Acces Plate Installation	23
Acoustical Insulation	36
Adaptor	12
Adaptor Clip	11, 12
Adaptor Filler	10
Adaptor Panel	10
Angle Bracket	39
Angle Clip	27
Angle Mount	9
Angle Rear	37
Angle Shelf	38, 39
Angle Trim Cap	19
Angle Trim Left	36
Angle Trim Right	36
Assembly, Floor Middle	23
Assembly, Wheelbox	23
Auto Lock Box	29
Auxiliary Step Gusset	13

B

“B” Post	17
Back Assembly	21
Back Harness	33
Back Panel Left	21
Ball Stud	9
Bezel	11
Blade	9
Body Clip	33
Bracket	9
Bracket Forward Strike	29
Bracket Strike Left	29
Bracket Striker Right	29
Bracket Weldment	26
Bukhead Door Assembly	18
Bulkhead Panel Left	18
Bulkhead Panel Right	18
Bumper	31
Bungee CordAssembly	36

C

Cab Skirt	8
Cable Assembly	39
Cam Lock Cylinder	29
Carpet Bulkhead Door	36
Carpet Left Bulkhed Panel	36
Carpet Right Bulkhead Panel	36
Carraige Bolt	29
Carriage Bolt	29
Catch Box Weldment	27
Center Crossmember Assembly	13
Center Post	7
Channel	19
Channel FrameExtension	37

Channel SupportDash	10
Clamp	11, 17, 33
Clamp Con Torq	11
Clearance Lamp Amber	34
Clearance Lamp Jumper	34
Clearance Lamp Red	34
Clearance Marker Lamp Red	34
Clip	27
Clip Anti-Rattle	25
Clip HeaderAngle	21
Clip Retainer Lock Cylinder	29
Control Panel	11
Corner Gusset Left	8
Cowl Corner Casting	8
Cowl Corner Casting Left	7
Cowl Corner Casting Right	7
Cowl End Cap	8
Crossmember Left	13
Crossmember Right	13

D

D-Loop Doubler	12
Dash Panel Adaptor	10
Dash Panel Toeboard	10
Dash PanelClip	10
Decal Dash Shelf	36
Dome Lamp	34
Dome Lamp Bracket	15
Dome Lamp GrommetMounting ..	34
Dome Rocker Switch	33
Door Frame	25
Door Guide @ Floor	18
Door Guide Molded	25
Door Guide Strip	18
Door Panel	18, 25
Door Pocket Cover Left	26
Door Pocket CoverRight	26
Door Pocket Panel	26
Door Post	26
Door Post Lower	26
Door Side Assembly Left	25
Door Side Assembly Right	25
Door Spacer Bracket	27
Door Strike	29
Door Strike A & B Post	29
Door Track Assembly	18
Door Track Upper	26

E

E-Ring Lock Cylinder	29
Edge Left	18
Edge Right	18
Engine Box Assembly	12
Engine Box Tab	12

F

Fan Installation	33
Fan Rocker Switch	33
Fill @ Side Door	26
Filler Clip	10
Fitting	9
Flex Hose	11
Flex Latch	39
Floor Assembly MiddleDual Wheel23	
Floor Forward	23
Floor Rear	23
Foam Filter	37
Forms Compartment	40
Forward, Floor	23
Foward, Overlay Wheelbox	23
Frame Rear	25
Fresh Air VentCab Over Driver ...	37
Front Bumper	31
Front Bumper Weldment	31
Front Roof Corner Casting	15
FRP Panel	19
Fuel Fill Shim	17
Fuel Fill Splash Pan	17
Fuel Fill Support	17
Fuse Block Holder	11

G

Gasket Rubber	29
Glass Front	7
Glass Side	7
Grab Handle	40
Grille Support Assembly	8
Grommet	9, 11, 33
Grommet Half	11
Grommet Round	34
Gusset	7

H

Handcart Bracket	36
Hanger Assembly	18, 25
Hanger Door Pocket	38
Hanger Plate	37
Hanger Rear	38, 39
Hat Stiffener Vertical	19
Head & Back Rest	12
Header Channel	26
Header ChannelGusset	26
Header Panel	26
Header Zee	18
Headlamp	33
Headlamp Installation	33
Headlamp Panel	8
Heater Core	11
Heater Kit	11
Hi-Back Bucket Seat	12

Hinge	13, 38
Hinge Assembly	8
Hole Plug	9
Hood StopBracket Right	8
Hood Harness	33
Hood Hinge	8
Hood Latch	8
Hood Liner	36
Hood Panel	8
Hood Prop Bracket	9
Hood Seal	8
Hood Skirt Tilt	8
Hood Stop Bracket	8
Hose Clamp	11

I

Instrument Panel Harness	33
Instrument Panel Plastic	11
Insulation	15, 25
Insulation 1" Fiberglass	15

J

Jamb	18
Jamb Post	21
Jump Seat	12

K

Key	29
-----------	----

L

Label Instruction	9
Lamp Backup	34
Lamp Front Park/Turn	34
Lamp Rear Combo	34
Lamp SN/TN	34
Latch Adjustable	12
Latch Kit	29
Latch Step	13
Load Stabilizer Bar	18
Lock Cylinder	29
Louver Mounting Panel	37
Louver Round	37

M

Matting Left	36
Matting Right	36
Mechanism Cover	25
Metal Clamp	11
Mirror Installation Crossview Front	40
Mirror Installation Crossview Rear	40
Mirror Installation Right & Left	40
Mounting Clip	36
Mounting Plate Assembly	37

N

Nosing	15
--------------	----

O

Outside Handle	29
Overlay Forward	23
Overlay Forward Wheelbox	23
Overlay Rear	23
Overlay Wheelbox	23

P

Panel Inner	25
Panel Lower	17
parking brake gusset	10
Plate, Acces Installation	23
Plate Guide	9
Plate Receiver	9

Q

Quickedge	11
-----------------	----

R

Rail Interlock Right	15
Rear Bumper	31
Rear Bumper Weldment	31
Rear, Floor	23
Rear Gusset	38, 39
Rear, Overlay	23
Rear Sill	21
Recept Snap In	12
Reinforcement Angle Left	21
Reinforcement AngleRight	21
Reinforcement Panel	12
Reservoir With Pump	9
Roll Up Door	27
Roll Up Door Shim	27
Roof Bow	15
Roof Corner Casting	21
Roof Fiberglass	15
Roof Nose Harness	33
Roof Nose Interlock	15
Roof Rail Left	15
Roof Rail Right	15
Roof Transom Interlock	15
Rotary Latch	29
Rotary Latch Left	29
Rotary Latch Right	29
Rub Rail	17
Rub Rail Cap	17
Rubber Bumper	8, 39

S

Seal	12, 18
Seal Brush	25

Seal Rubber	25
Seat Base	12
Seat Belt 7"	12
Seat Belt With Boot	12
Seat Socket Installation	12
Shelf	38
Shelf Angle	38, 39
Shelf Lip	38, 39
Shelf Panel	38, 39
Shelf Support	38, 39
Shelf Support Lower	38
Shelf Support Upper	39
Shim	27
Shim Door Lock	29
Shim Forward Strike	29
Shim Latch	29
Shim Left	21
Shim Strike	29
Side Upper	17
Skirt Tail	8
Spacer	37
Spacer Nylon	25
Splash Pan	9
Splash Pan Support	17
Splice Plate	37
Spring	11
Spring Shock	9
Steering Column Weldment	10
Step Angle Left	13
Step Angle Right	13
Step Assembly Right	13
Step Nose	26
Stepwell Assembly Left	13
Stiffener	8
Strap Tie In	7
Stud	11, 12
Stud Ball Clip	9
Stud Retainer	12
Sun Visor	36
Sunvisor Bracket	36
Sunvisor Clip	36
Support Bracket Assembly	10
Support Center	11
Support Left	11
Support Right	11

T

Tab Plate Reinforcement Assembly	37
Tap Plate	8
Toe Board Clip	10
Track Retainer	40
Transom	21
Transom Extension	21
Transom Harness	33
Transverse Floor Weldment Assembly	11

U

Upper Seat Pedestal 12

V

Vent 37

Vent 2Way Hingeless 8

W

Washer BottleBracket 9

Washer BottleSupport 9

Washer Hose 9

Washer Tee 9

Wear Strip 25

Weatherstrip 7

Wheel, Dual 23

Wheelbox Assembly 23

Wheelbox, Overlay 23

Window Sliding Sash 25

Windshield Frame Left 7

Windshield Frame Right 7

Windshield Rail 7

Windshield Rail Support 7

Windshield Stiffener Right 7

Windshield Wiper Blade 9

Wiper Motor 9

Wiper Motor Bracket 9

Wiper Wet Arm 9

Z

Zee Closure 10

Zee Clip 39

Zee Forward Left 37

Zee Forward Right 37

Zee Stiffener 19