

Part Number  
43004318

# USPS LLV BODY ILLUSTRATED PARTS CATALOG



**MORGAN**  
**★ OLSON**

1861 S. Centerville Rd.  
Sturgis, MI. 49091-0435

---

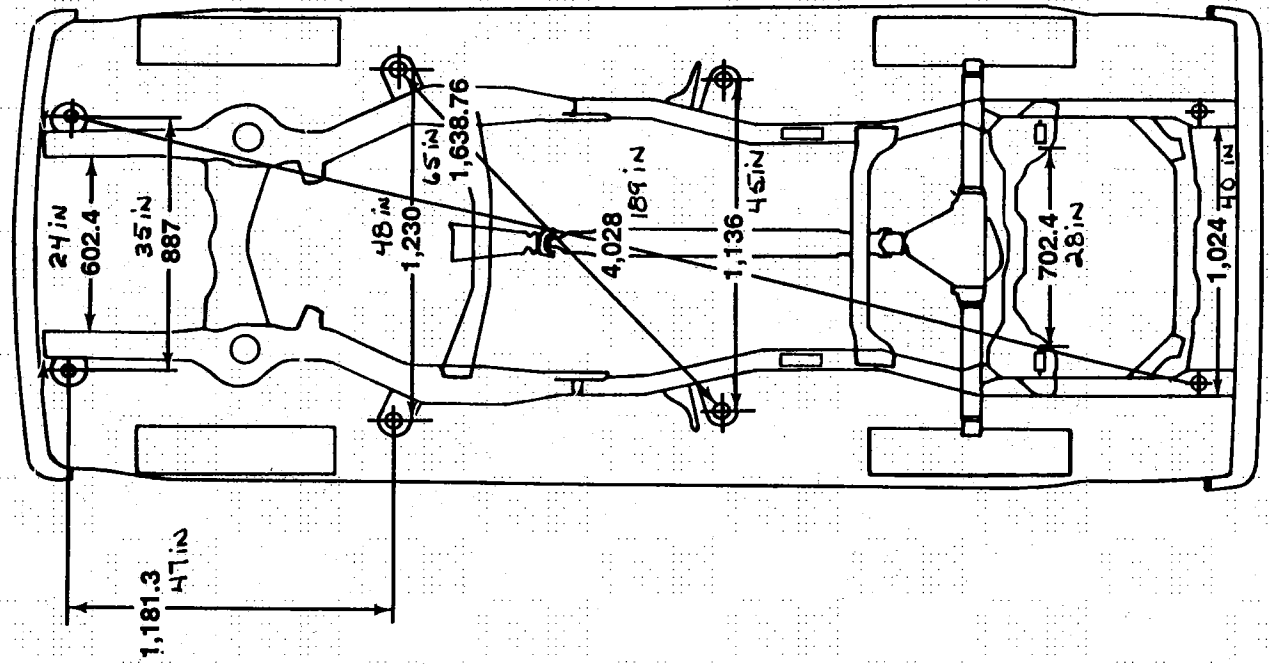
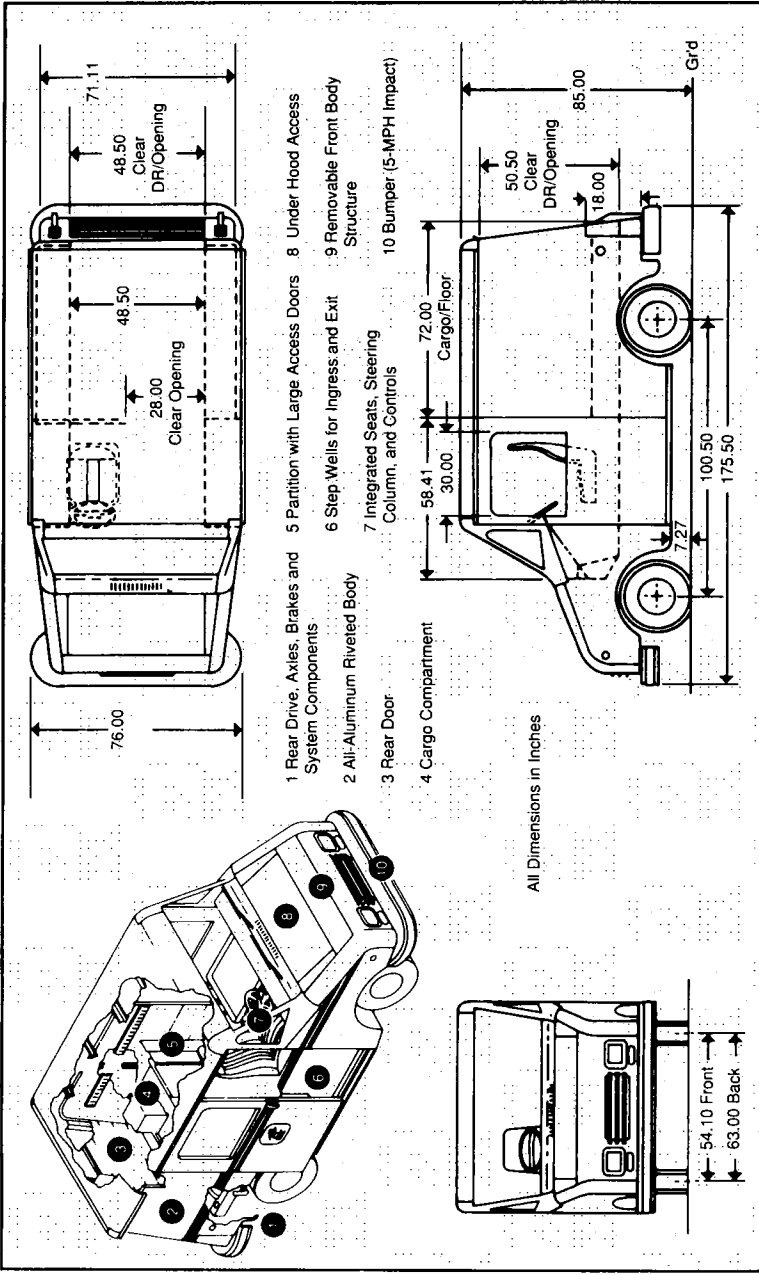
For Parts Orders: 800-521-5289

Fax: 800-385-7039

Manufacturer of Parts for Grumman LLV (Long Life Vehicle)

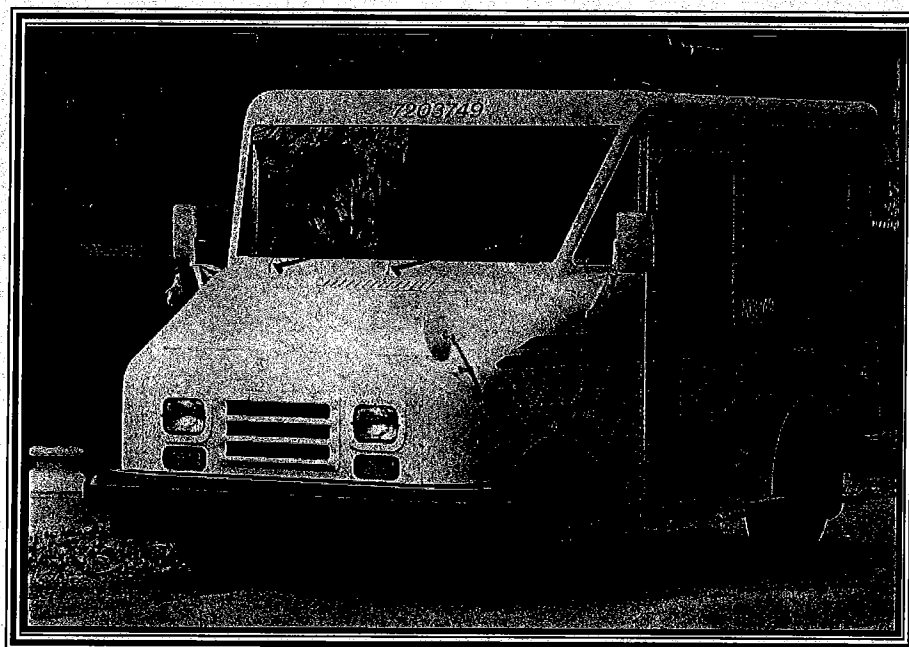
Part Number 43004318 Rev. 6/05

# LONG-LIFE POSTAL DELIVERY VEHICLE



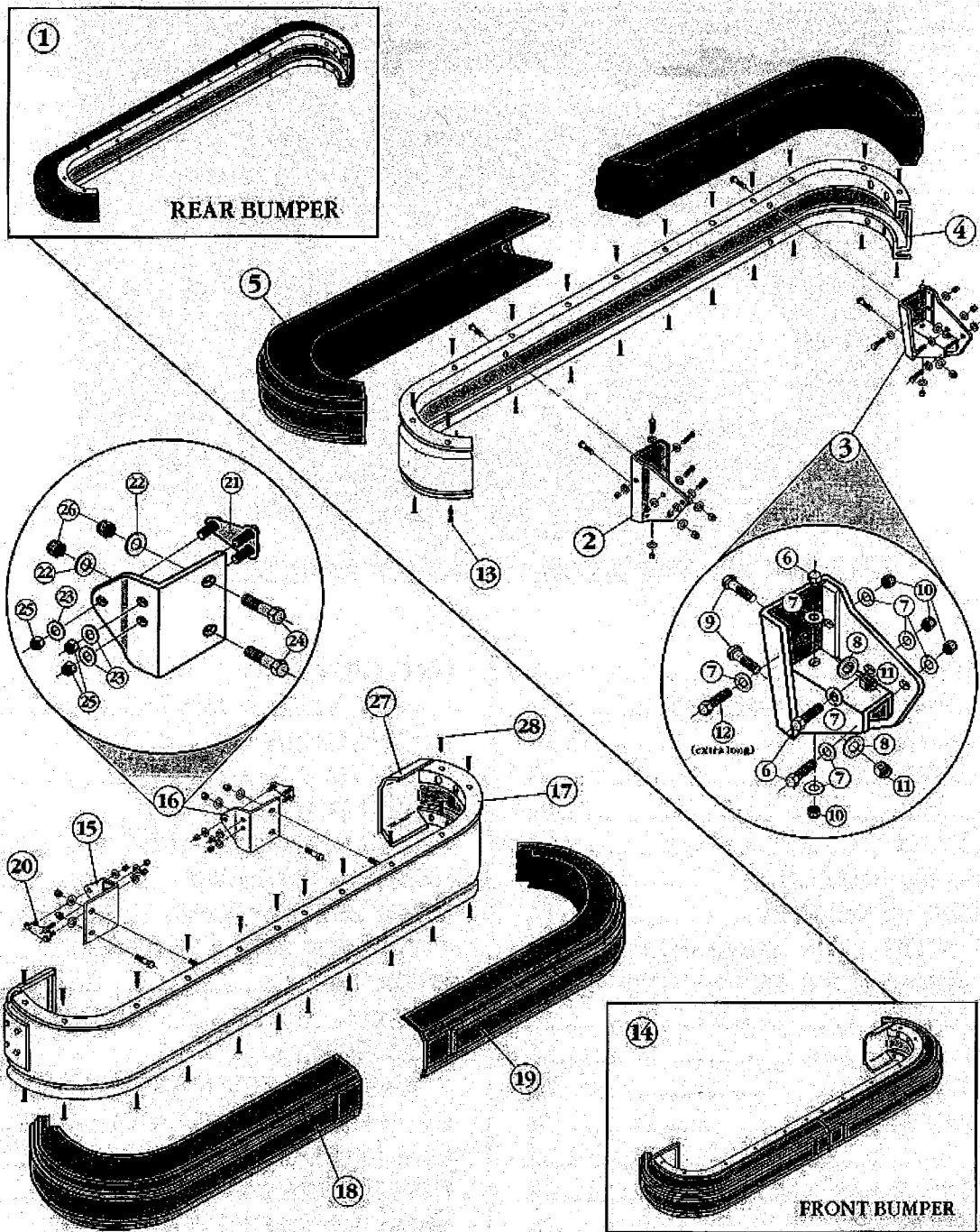
Curb Weight .....	3050 lb.
Height .....	85 in.
Width .....	76 in.
Length .....	175.5 in.
Cargo volume .....	121 cu. ft.
Wheel-base .....	100.5 in.
Payload .....	1400 lb.
Gross vehicle weight rating .....	4450 lb.

# LLV BODY ILLUSTRATED PARTS



<b>BUMPERS.....</b>	<b>2</b>	<b>DRIVER'S SEAT,</b>	
<b>FRONT GRILLE &amp; HEADLIGHTS.....</b>	<b>4</b>	<b>ADJUSTER &amp; BELTS.....</b>	<b>48</b>
<b>RADIATOR SUPPORT.....</b>	<b>6</b>	<b>PASSENGER/OBSERVER</b>	
<b>SKIRT PANELS.....</b>	<b>8</b>	<b>SEAT &amp; BELTS.....</b>	<b>50</b>
<b>HOOD.....</b>	<b>10</b>	<b>FRONT BODY WIRING</b>	
<b>SPLASH PANS.....</b>	<b>12</b>	<b>HARNES &amp; LIGHTS.....</b>	<b>52</b>
<b>LOWER WINDSHIELD</b>		<b>LAMP ASSEMBLIES.....</b>	<b>55</b>
<b>&amp; A-POST ASSEMBLY.....</b>	<b>14</b>	<b>REAR BODY WIRING HARNESS,</b>	
<b>DASH (ENGINE BOX) ASSEMBLY.....</b>	<b>16</b>	<b>LIGHTS, &amp; SWITCHES.....</b>	<b>56</b>
<b>STEP ASSEMBLIES &amp; BULKHEAD</b>		<b>MIRRORS.....</b>	<b>58</b>
<b>PANELS.....</b>	<b>18</b>	<b>DECALS.....</b>	<b>63</b>
<b>FLOOR.....</b>	<b>22</b>	<b>WINDSHIELD</b>	
<b>WHEEL BOXES.....</b>	<b>26</b>	<b>WASHER/WIPER SYSTEM.....</b>	<b>64</b>
<b>SIDE PANELS.....</b>	<b>28</b>	<b>HEATER/DEFROSTER SYSTEM.....</b>	<b>68</b>
<b>ROOF.....</b>	<b>32</b>	<b>CAB EQUIPMENT.....</b>	<b>70</b>
<b>BULKHEAD DOOR AND TRACK.....</b>	<b>34</b>	<b>INSTRUMENT PANEL.....</b>	<b>74</b>
<b>SIDE DOORS.....</b>	<b>36</b>	<b>MUNCY REGULATOR.....</b>	<b>80</b>
<b>REAR DOOR.....</b>	<b>42</b>	<b>PAINTED PARTS.....</b>	<b>82</b>
<b>WINDSHIELD &amp; SIDE</b>		<b>BODY ASSEMBLY.....</b>	<b>83</b>
<b>WINDSHIELDS.....</b>	<b>46</b>	<b>PART NUMBER CHANGES.....</b>	<b>84</b>

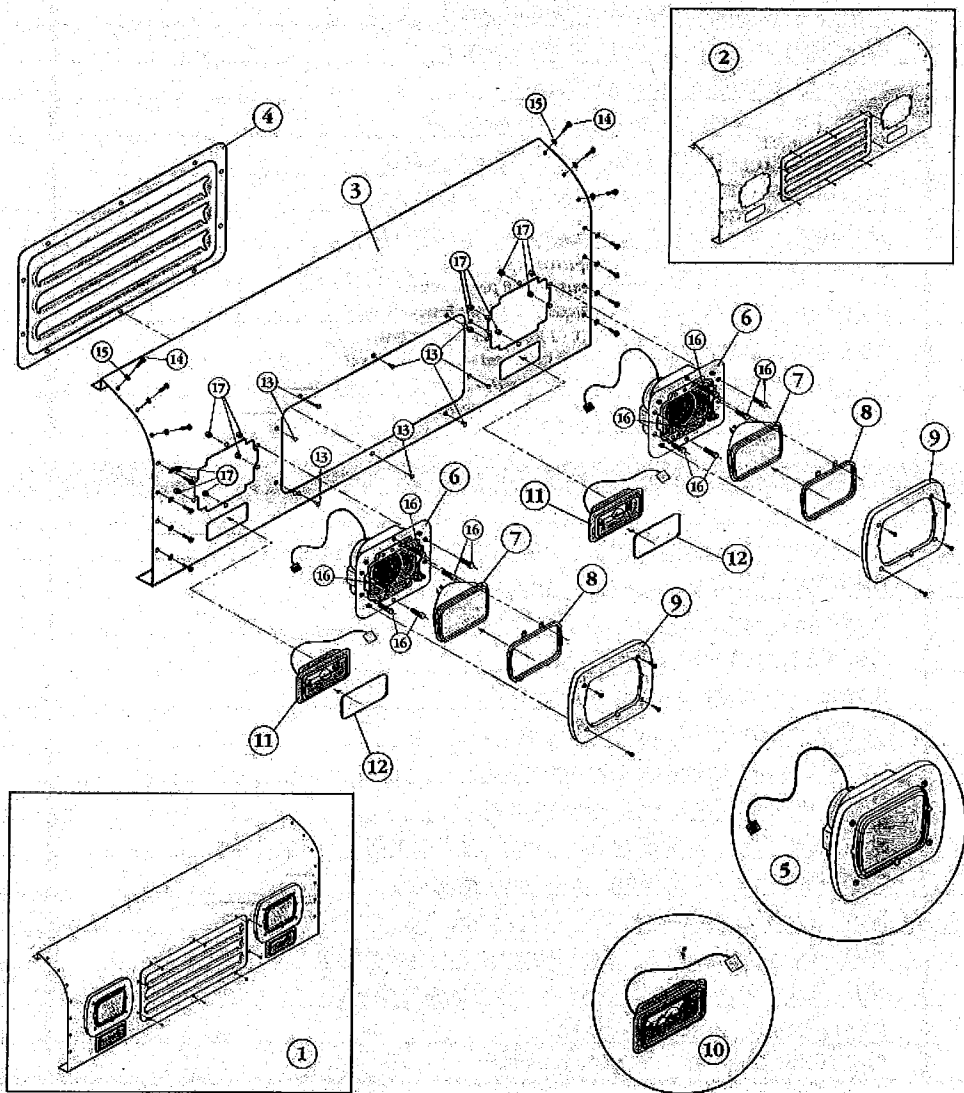
# BUMPERS



# BUMPERS

ILLUS. NO.	DESCRIPTION	PART NUMBER
<b>REAR BUMPER</b>		
1	<b>ASSEMBLY</b> , Bumper, Rear <i>(Includes Item #4, 5, 13)</i>	85689301
2	<b>BRACKET</b> , Bumper, Rear, RS <i>(Undercoated)</i>	05607303
3	<b>BRACKET</b> , Bumper, Rear, LS <i>(Undercoated)</i>	05607304
4	<b>BACK STRUCTURE</b> , Bumper, Rear	85689005
5	<b>RUBBER COVER</b> , Bumper, Rear <i>(2 Required)</i>	81689006
6	<b>BOLT</b> , Hex Head, CP <i>(6 Required -- 3 per bracket)</i>	85743030
7	<b>WASHER</b> , Flat, 7/16 <i>(16 Required -- 8 per bracket)</i>	85761013
8	<b>WASHER</b> , Flat, 1/2, SST <i>(4 Required -- 2 per bracket)</i>	85761010
9	<b>BOLT</b> , .58, 1/2 - 13 x 1-1/4, SST <i>(4 Required -- 2 per bracket)</i>	85743038
10	<b>NUT</b> , Hex, Nylock, 7/16 - 14 <i>(8 Required -- 4 per bracket)</i>	85720711
11	<b>NUT</b> , Hex, Nylock, 1/2 - 13 <i>(4 Required -- 2 per bracket)</i>	85720715
12	<b>Bolt</b> , Hex Head, CP, 7/16 - 14 x 1.5 <i>(2 Required -- 1 per bracket)</i>	85743021
13	<b>FASTENER</b> , Xmas Tree <i>(24 Required)</i>	81600023
<b>FRONT BUMPER</b>		
14	<b>ASSEMBLY</b> , Bumper, Front <i>(Includes Items #17, 18, 19, 27, 28)</i>	85689300
15	<b>BRACKET</b> , Bumper, Front, RS <i>(Undercoated)</i>	05607302
16	<b>BRACKET</b> , Bumper, Front, LS <i>(Undercoated)</i>	05607301
17	<b>BACK STRUCTURE</b> , Bumper, Front	85689004
18	<b>RUBBER COVER</b> , Bumper, Front, RS	81689002
19	<b>RUBBER COVER</b> , Bumper, Front, LS	81689003
20	<b>BOLT</b> , Bracket, Front, RS <i>(Undercoated)</i>	05607305
21	<b>BOLT</b> , Bracket, Front, LS <i>(Undercoated)</i>	05607306
22	<b>WASHER</b> , Flat, 1/2, SST <i>(4 Required -- 2 per bracket)</i>	85761010
23	<b>WASHER</b> , Flat, 7/16 <i>(6 Required -- 3 per bracket)</i>	85761013
24	<b>BOLT</b> , 58, 1/2 - 14 x 1-1/4, SST <i>(4 Required 2 per bracket)</i>	85743038
25	<b>NUT</b> , Hex, Nylock, 7/16 - 14 <i>(6 Required -- 3 per bracket)</i>	85720711
26	<b>NUT</b> , Hex, Nylock, 1/2 - 13 <i>(4 Required -- 2 per bracket)</i>	85720715
27	<b>DEFLECTOR</b> , Bumper Tire Plate	N/A
28	<b>FASTENERS</b> , Xmas Tree <i>(24 Required)</i>	81600023

# FRONT GRILLE & HEADLIGHTS

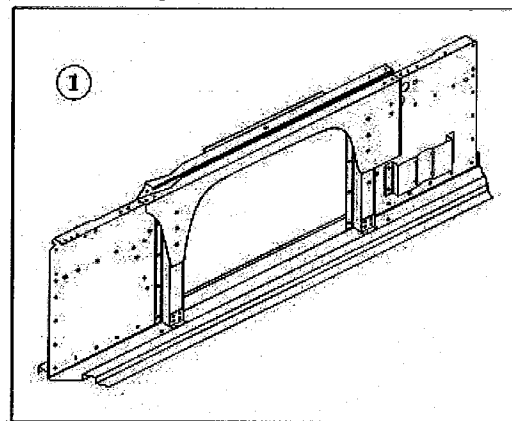
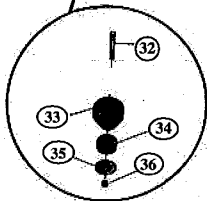
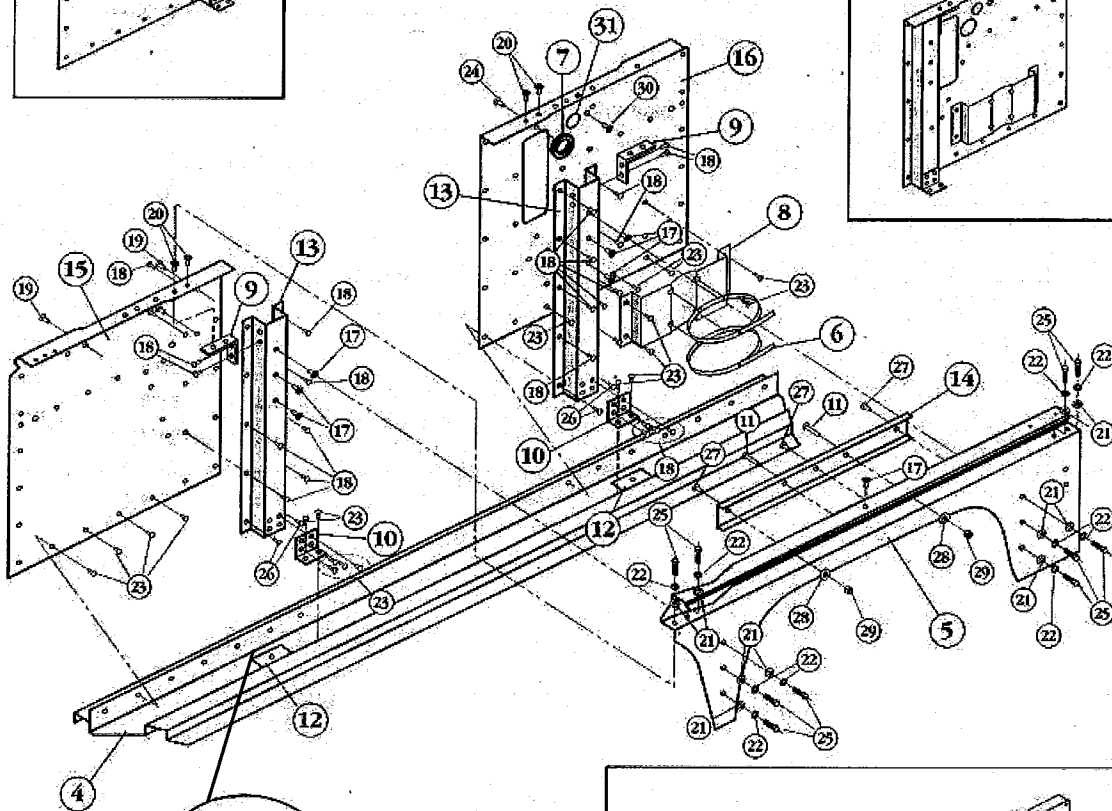
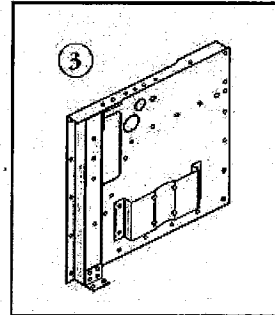
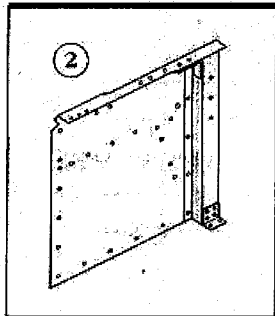




# FRONT GRILLE & HEADLIGHTS

ILLUS. NO.	DESCRIPTION	PART NUMBER
1	<b>ASSEMBLY</b> , Grille, Front <i>(Painted)</i> (Includes Item #2, 5, 10, 16, 17)	85605300
2	<b>SUB-ASSEMBLY</b> , Grille, Front <i>(Painted)</i> (Includes Item #3, 4, 13)	05605300
3	<b>GRILLE</b> , Front <i>(Unpainted)</i>	85605003
4	<b>STAMPING</b> , Grille, Front <i>(Unpainted)</i>	85605004
5	<b>ASSEMBLY</b> , Headlamp (Includes Item #6 thru 9) (2 Required)	85690300
6	<b>BASE</b> , Headlamp (2 Required)	81690003
7	<b>BULB</b> , Headlamp (2 Required)	81690001
8	<b>RETAINER</b> , Headlamp (Includes Screws) (2 Required)	81690004
9	<b>BEZEL</b> , Headlamp (Includes Screws) (2 Required)	81690002
10	<b>ASSEMBLY</b> , Lamp, Front, Turn/Park (Includes Items #11, 12) (2 Required)	85690301
11	<b>BODY</b> , Lamp, Front, Turn/Park (Includes Bulb) (2 Required) <b>N/A Separate</b>	85690301
12	<b>LENS</b> , Lamp, Amber without Reflex (2 Required)	81690006
13	<b>RIVET</b> , AL, BR HD, 3/16 x 5/16 (Use with Item #3, 4) (10 Required)	85780001
14	<b>SCREW</b> , Torx, Powder Coated (Use with Item#3) (14 Required)	85743813
15	<b>WASHER</b> , Flat, Nylon, 1/4" (Use with Item #3) (14 Required)	85761233
16	<b>BOLT</b> , Hex Head, 1/4 - 20 x .625 (Use with Item #6) (6 Required / Each)	85743003
17	<b>NUT</b> , Nylock, SST, 1/4 - 20 (Use with Item #6) (6 Required / Each)	85720703
<b>NS</b>	<b>WASHER</b> , Flat, Nylon 1/4" (Package of 500)	81761233

# RADIATOR SUPPORT

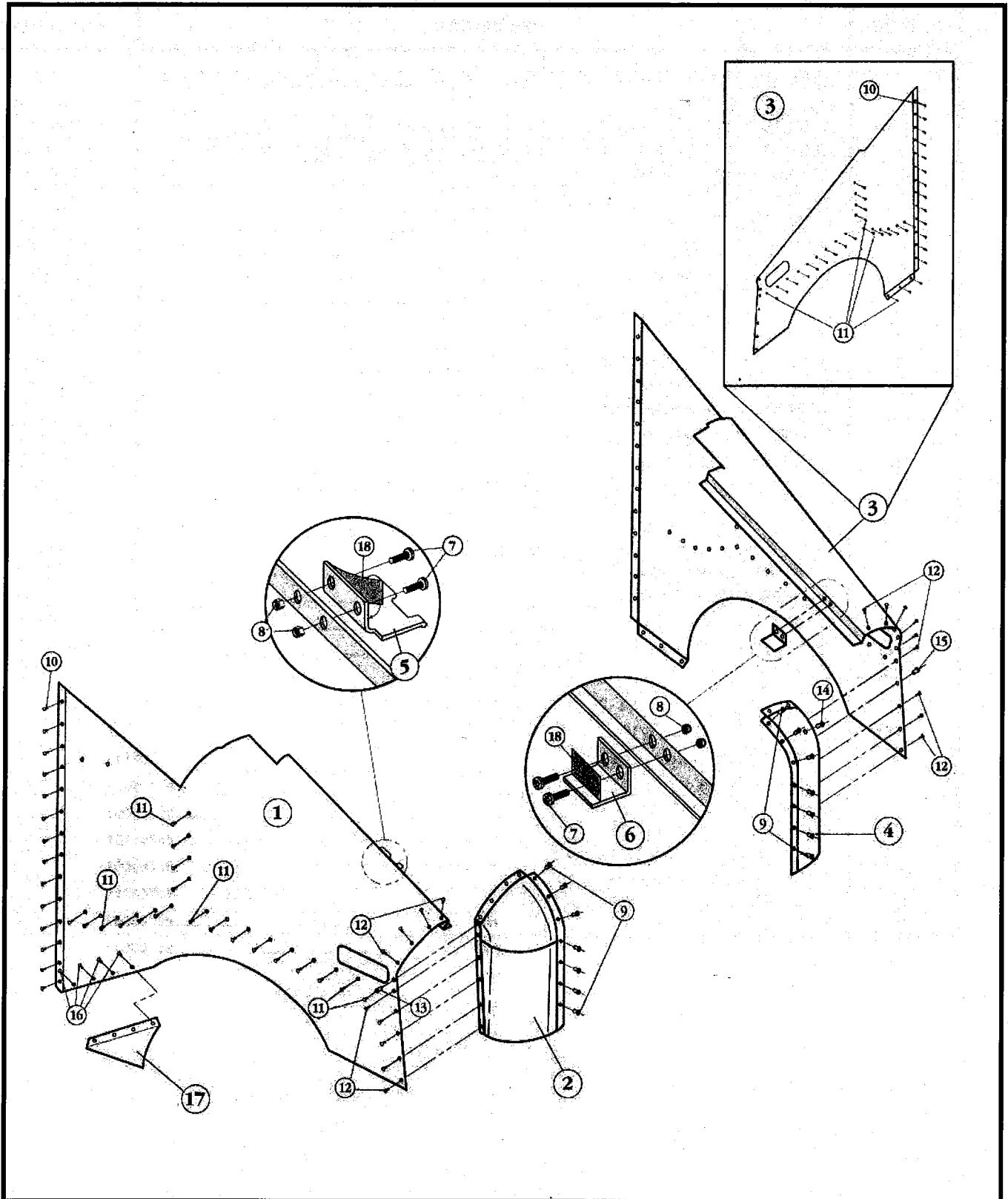




# RADIATOR SUPPORT

ILLUS. NO.	DESCRIPTION	PART NUMBER
1	<b>ASSEMBLY</b> , Radiator Support ( <i>Undercoated</i> ) ( <i>Includes Item #2 thru 5, 7, 8, 11, 14, 17, 21 thru 23, 25 thru 29</i> )	05608301
2	<b>ASSEMBLY</b> , Forward Splash Panel, RS ( <i>Includes Item #9, 10, 13, 15, 18, 20</i> )	85608302
3	<b>ASSEMBLY</b> , Forward Splash Panel, LS ( <i>Includes Item #9, 10, 13, 16, 17, 18, 20, 24, 30</i> )	85608303
4	<b>CROSSMEMBER</b> , Radiator	85608001
5	<b>MEMBER</b> , Horizontal, Radiator Support	85608008
6	<b>WRAP</b> , Tie ( <i>2 Required</i> )	85793001
7	<b>GROMMET</b> ( <i>1 Required</i> )	85684109
8	<b>BRACKET</b> , Evap. Canister	85608006
9	<b>CLIP</b> , Angle Support Upper/Radiator	85608003
10	<b>CLIP</b> , Angle Support Lower/Radiator	85608004
11	<b>STUD</b> , Thread ( <i>2 Required</i> )	85706001
12	<b>BLOCK</b> , Radius ( <i>Undercoated</i> ) ( <i>2 Required</i> )	05622021
13	<b>SUPPORT</b> , Vertical Radiator	85608019
14	<b>SHIM</b> , U-Channel Fan Shroud	85608042
15	<b>PANEL</b> , Splash, Forward, RS ( <i>Unpainted</i> )	85608002
16	<b>PANEL</b> , Splash, Forward, LS ( <i>Unpainted</i> )	85608005
17	<b>RIVNUT</b> , Hex Steel, 1/4 - 20 x .020 / .085 ( <i>7 Required</i> )	85786013
18	<b>RIVET</b> , AL, BR HD < 3/16 x 3/8 ( <i>28 Required</i> )	1117353
19	<b>RIVNUT</b> , Hex Steel ( <i>7 Required</i> )	85786113
20	<b>RIVNUT</b> , Hex Steel, 1/4 - 20 x .145 / .205 ( <i>4 Required</i> )	85786015
21	<b>WASHER</b> , Flat, 1/4" ( <i>10 Required</i> )	85761003
22	<b>WASHER</b> , Lock, 1/4" ( <i>10 Required</i> )	85761101
23	<b>RIVET</b> , AL, BR HD, 3/16 x 7/16 ( <i>8 Required</i> )	1117355
24	<b>RIVNUT</b> , Hex Steel, .7 x .010 / .079 ( <i>1 Required</i> )	85786211
25	<b>BOLT</b> , Hex Head, 1/4 - 20 x .750 ( <i>10 Required</i> )	85743007
26	<b>RIVET</b> , AL, BRHD, 3/16 x 1/2 ( <i>4 Required</i> )	1117357
27	<b>RIVNUT</b> , Hex Steel, 1 x .085 / .144 ( <i>3 Required</i> )	85786114
28	<b>WASHER</b> , Flat, #10 ( <i>2 Required</i> )	85761002
29	<b>NUT</b> , Hex Lock, 10 - 24 ( <i>2 Required</i> )	85720714
30	<b>RIVNUT</b> , Hex Steel, 1.25 x .020 / .100	85786116
31	<b>GROMMET</b> ( <i>1 Required</i> )	85684103
32	<b>BOLT</b> , Body ( <i>2 Required</i> )	15597089
33	<b>CUSHION</b> , Body, Upper, ( <i>2 Required</i> )	15564811
34	<b>CUSHION</b> , Body, Lower ( <i>2 Required</i> )	14032743
35	<b>RETAINER</b> , Body, Bolt ( <i>2 Required</i> )	15688319
36	<b>NUT</b> , Hex ( <i>2 Required</i> )	11515744

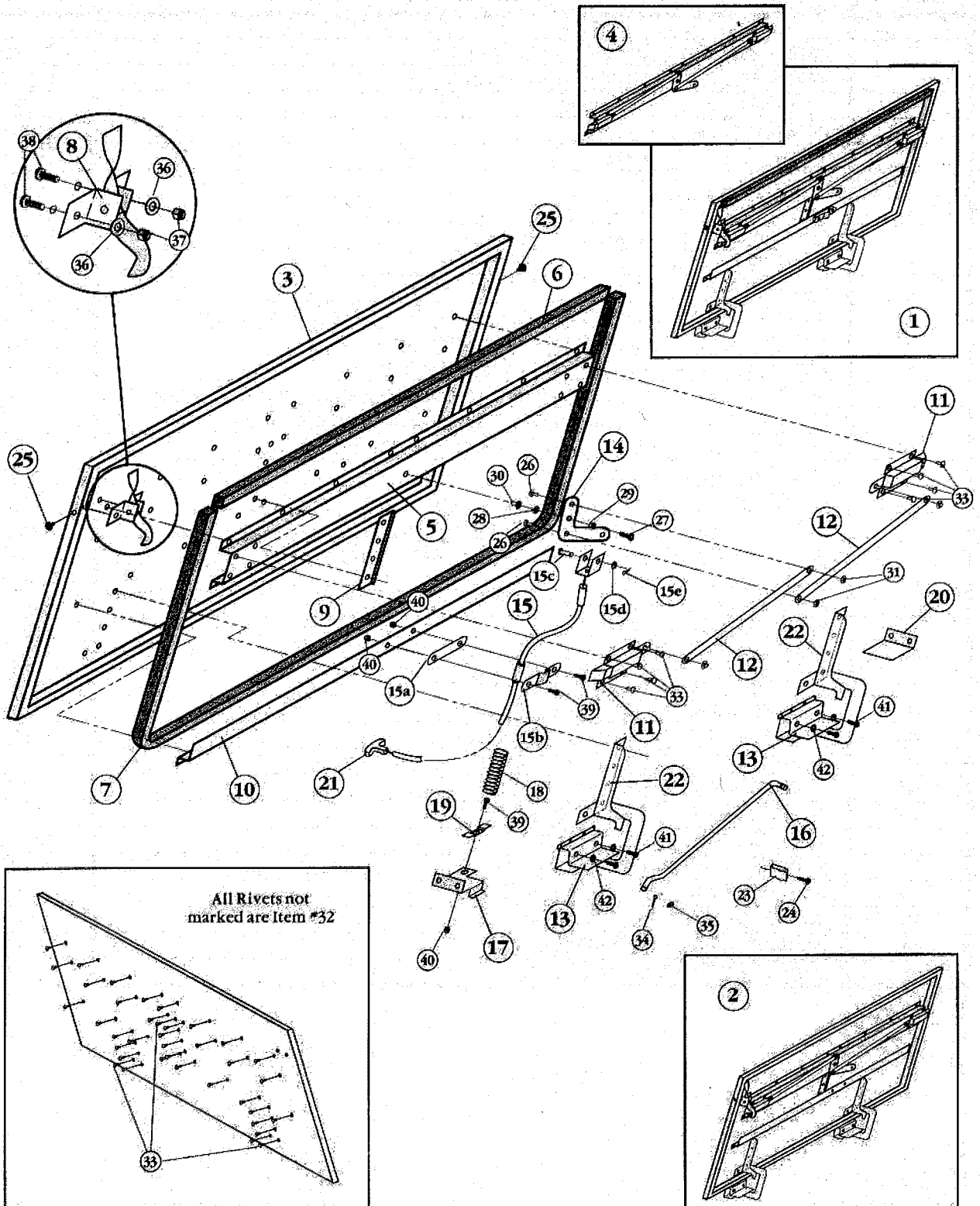
# SKIRT PANELS



# SKIRT PANELS

ILLUS. NO.	DESCRIPTION	PART NUMBER
1	PANEL, Skirt, RS (Unpainted) (Includes Item #17)	81610003
	PANEL, Skirt, RS (Painted) (Includes Item #17)	01610003
2	CORNER, Casting, RS (Unpainted)	85622011
	CORNER, Casting, RS (Painted)	05622011
3	PANEL, Skirt LS (Unpainted)	85610004
	PANEL, Skirt LS (Painted)	05610004
4	CORNER, Casting, LS (Unpainted)	85622010
	CORNER, Casting, LS (Painted)	05622010
5	STRIKER, Hood Latch, RS	81693027
6	STRIKER, Hood Latch, LS	81693005
7	SCREW, Torx, Pan Head, 1/4 - 20 x .625 (Use with Item #5, 6) (2 Required/Each)	85743112
8	NUT, Nylock, 1/4 - 20 (Use with Item #5, 6) (2 Required/Each)	85720704
9	RIVNUT, Hex Steel (Use with Item #2, 4) (7 Required/Each)	85786250
10	RIVET, AL, BR HD, 3/16 x 5/16 (Use with Item #1 - 14 Required; Item #3- 13 Required)	85780001
11	RIVET, AL, BR HD, 3/16 x 3/8 (Item #1 -19 Required; Item #3 - 22 Required)	1117353
12	RIVET, AL, BR HD, 3/16 x 7/16 (Use with Item #1, 3-9 Required/Each)	1117355
13	RIVET, AL, BR HD, 1/4 x 3/8 (1 Required/Each)	85780529
14	RIVNUT, Hex Steel, 1/4 - 20 x .205/.265 (Use with Item #4)	85786023
15	RIVNUT, Hex Steel, 1/4 - 20 x .245/.305 (Use with Item #3, 4)	85786025
16	RIVET, Pop, Powder Coated (5 Required) (Included with Item #17)	85780214
NS	TEMPLATE, Skirt Flap	81600148
17	KIT, Skirt Flap, RS (Includes Skirt Flap, Template and Item #16)	81600136
18	TAPE, Di-electric, 1" Wide	85673001
19	CHEMREX, CX-26 Sealant, (White) Body Seal	41002032
NS	PAINTED RIVET, AL, BR HD, 3/16 x 5/16 (By Lb.)	85780501
NS	PAINTED RIVET, AL, BR HD, 3/16 x 3/8 (By Lb.)	85780502
NS	PAINTED RIVET, AL, BR HD, 3/16 x 7/16 (By Lb.)	85780503
NS	PAINTED RIVET, AL, BR HD, 3/16 x 1/2 (By Lb.)	85780504
NS	PAINTED RIVET, 1/4 x 3/8 (By Lb.)	05780802
NS	PAINTED RIVET, 1/4 x 7/16 (By Lb.)	05780803
NS	PAINTED RIVET, 1/4 x 1/2 (By Lb.)	05780804
NS	PAINTED RIVET, 1/4 x 9/16 (By Lb.)	05780805
NS	UNPAINTED RIVET, 1/4 x 3/8 (By Lb.)	40200025
NS	UNPAINTED RIVET, 1/4 x 7/16 (By Lb.)	1117072
NS	UNPAINTED RIVET, 1/4 x 1/2 (By Lb.)	1117380
NS	UNPAINTED RIVET, 1/4 x 9/16 (By Lb.)	1117385

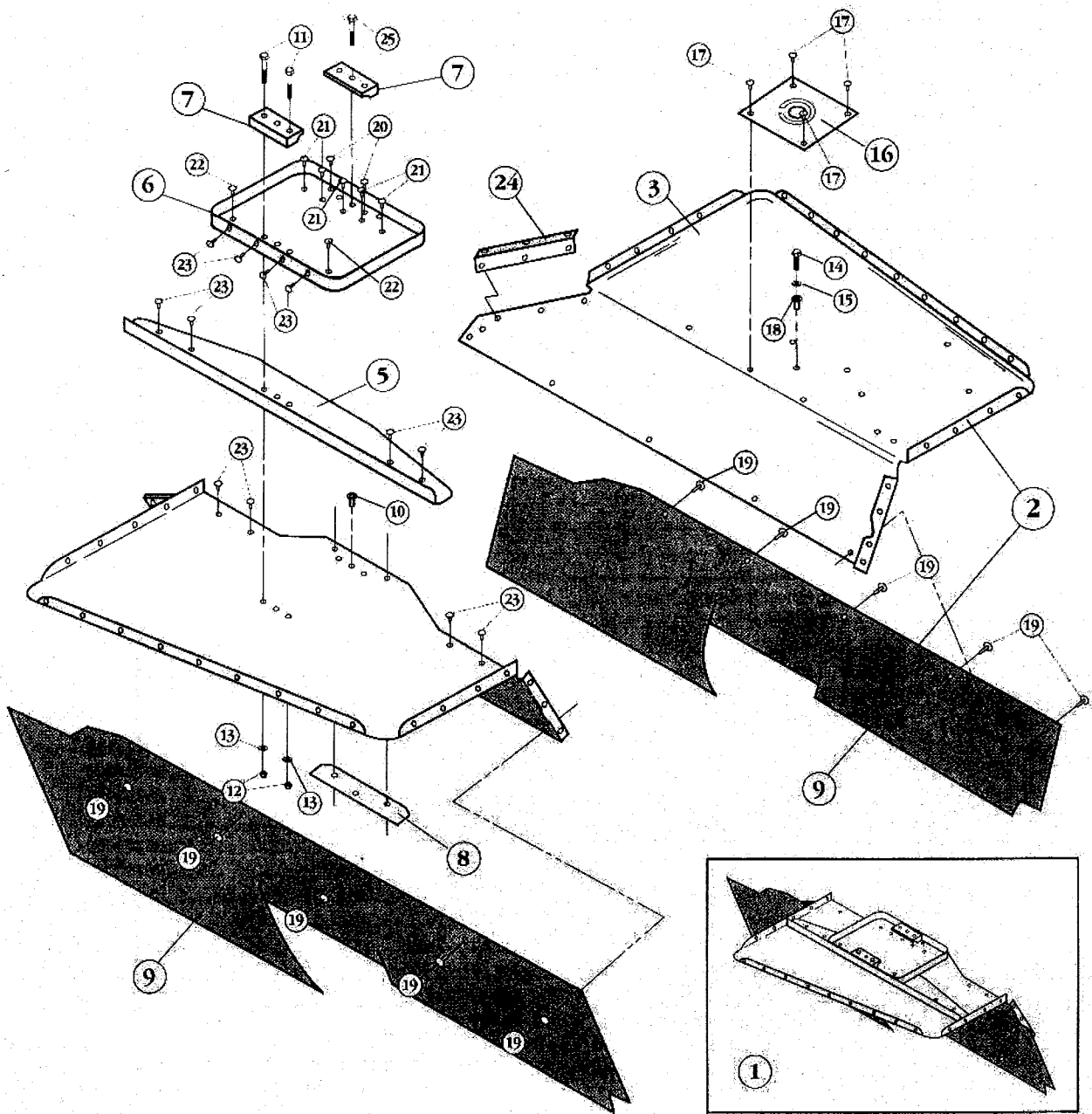
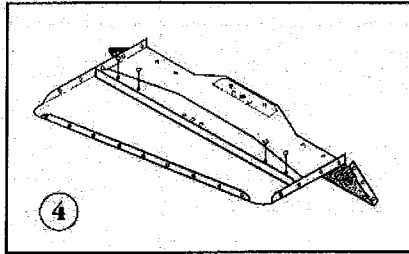
# HOOD



# HOOD

ILLUS. NO.	DESCRIPTION	PART NUMBER
1	ASSEMBLY, Hood, Complete (Painted) (Includes Item #2, 6, 8, 15a, 15b, 25, 36, 38)	35602300
2	SUB-ASSEMBLY, Hood (Painted) (Includes Items #3, 4, 9, 10, 13, 22, 32)	05602300
3	PANEL, Hood	85602002
4	ASSEMBLY, Stiffener, Hood, Horizontal (Includes Item #5, 11, 12, 14, 28 thru 31)	15602300
5	STIFFENER, Hood, Horizontal	85602003
6	SEAL, Hood, Front	85616004
7	SEAL, Hood, Rear (Not Included with Item #1)	85616005
8	CATCH, Safety with Lift	81693028
9	STIFFENER, Vertical	85602010
10	STIFFENER, Horizontal, Zee	85602004
11	LATCH, Hood End Bolt (2 Required)	85693008
12	ROD, Hood Release (2 Required)	85602018
13	HINGE, Hood (2 Required)	85681002
14	PIVOT, Hood Release	85602009
15	CABLE, Latch, Hood Release (Includes Item #15a, 15b, 15c, 15d, 15e)	85693033
15A	SHIM, Hood Release Cable Mount (Included with Item #15)	
15B	CLAMP, Hood Release Cable Mount (Included with Item #15)	
15C	PIN, Hood Release Cable (Included with Item #15)	
15D	WASHER, Hood Release Cable (Included with Item #15)	
15E	PIN, Cotter, Hood Release Cable (Included with Item #15)	
16	ROD, Hood Prop (Painted)	05602006
17	STRIKER, Hood, RS, Safety Catch	81693027
18	SPRING, Hood, RS	85693031
19	CLAMP, Hood Spring	85602005
20	STRIKER, Hood, LS	81693005
21	HANDLE, Hood Release	81600111
22	RETAINER, Hood	85602011
23	CLIP, Prop Rod	85602012
24	SCREW, Tapping, #6 (Use with Item #23)	85743302
25	BUMPER, Hood, Rubber (2 Required)	85684110
26	RIVET, AL, BR HD, 3/16 x 1/2 (Use with Item #14) (2 Required/Each)	1117357
27	SCREW, Torx, Pan Head, 1/4 - 20 x .625 (Use with Item #14)	85743112
28	WASHER, Lock, 1/4 (Use with Item #14)	85761300
29	BUSHING, Flange (Use with Item #14) (4 Required/Each)	85793010
30	RIVNUT, Hex, 1/4-20 x .020 / .085 (Use with Item #14) (3 Required)	85786013
31	PUSHNUT, Bolt Retainer (Use with Item #14) (2 Required)	85720200
32	RIVET, AL, BR HD, 3/16 x 5/16 (Use with Item #3) (35 Required)	1117351
33	RIVET, AL, BR HD, 3/16 x 5/16 (Use with Item #3 - 3 Required; Item #11 - 8 Required)	1117353
34	PIN, Cotter (Use with Item #16) (2 Required)	85720551
35	WASHER, Flat, SST, 1/4 (Use with Item #16) (2 Required)	85761003
36	WASHER, Flat, SST, 18-8 x 1/4 (Use with Item #8) (2 Required)	85761008
37	NUT, Nylock, 1/4 - 20 (Use with Item #8) (2 Required)	85720704
38	SCREW, Torx Powder Coated, 1/4 - 20 x 5/8 (Use with Item #8) (2 Required)	85743813
39	SCREW, Torx, Pan Head, 8/32 x .50 (Use with Item #15b) (2 Required)	85743122
40	NUT, Nylock, 8/32" (Use with Item #15b) (2 Required)	85720701
41	SCREW, Pan Head 10-24 x .625	85743119
42	WASHER, Lock Tooth 18 - 8 #10	85761202
NS	PUSHNUT, at end bolt	81600261

# SPLASH PANS



# SPLASH PANS

ILLUS. NO.	DESCRIPTION	PART NUMBER
1	<b>ASSEMBLY</b> , Splash Pan Complete, RS <i>(Includes Items #4, 6, 7, 9, 11, 12, 13, 20, 23)</i>	81608308
2	<b>ASSEMBLY</b> , Splash Pan Complete, LS <i>(Includes Items #3, 9)</i>	05608311
3	<b>SPLASH PAN</b> , LS <i>(Undercoated)</i>	05608029
4	<b>ASSEMBLY</b> , Splash Pan, RS <i>(Undercoated) (Includes Items #5, 8, 10, 23)</i>	05608308
5	<b>STIFFENER</b> , Splash Pan	85608011
6	<b>TRAY</b> , Battery	85679002
7	<b>CLAMP</b> , Battery <i>(2 Required)</i>	85608021
8	<b>RADIUS BLOCK</b> , Splash Pan	85608024
9	<b>SPLASH GUARD</b> , Rubber, Right and Left Side	85684005
10	<b>RIVNUT</b> , Hex, Steel, 5/16 - 18 x .175 / .245	85786018
11	<b>BOLT</b> , Hex Head, 7/16 - 14 x 15 <i>(Use with Item #7) (2 Required)</i>	85743022
12	<b>NUT</b> , Nylock, 1/4 - 20 SST <i>(Use with Item #7) (2 Required)</i>	85720703
13	<b>WASHER</b> , Flat, SST, 1/4" <i>(Use with Item #7) (2 Required)</i>	85761003
14	<b>BOLT</b> , Hex Head, .312 - 18 - 1.75 <i>(Use with Item #3)</i>	85743019
15	<b>WASHER</b> , SST, 5/16" <i>(Use with Item #3)</i>	85761004
16	<b>LOCATOR</b> , Air Cleaner	85608043
17	<b>RIVET</b> , Pop, AL <i>(Use with Item #16) (4 Required)</i>	85780206
18	<b>RIVNUT</b> , Hex Steel, 1.25 x .020 / .100 <i>(Use with Item #3)</i>	85786116
19	<b>RIVET</b> , AL <i>(Use with Item #9) (5 Required/Each)</i>	85780205
20	<b>RIVET</b> , AL, BR HD, 3/16 x 3/4 <i>(Use with Item #6) (2 Required)</i>	1117365
21	<b>RIVET</b> , AL, BR HD, 3/16 x 7/16 <i>(Use with Item #6) (5 Required)</i>	1117355
22	<b>RIVET</b> , AL, BR HD, 3/16 x 1/2 <i>(Use with Item #6) (2 Required)</i>	1117357
23	<b>RIVET</b> , AL, BR HD, 3/16 x 3/8 <i>(Use with Item #4 - 4 Req'd; Item #5 - 4 Req'd; Item #6 - 4 Req'd;)</i>	1117353
24	<b>CLIP</b> , Splash Pan	85608025
25	<b>BOLT</b> , Hex Head, 5/26 - 18 X 1.75 <i>(Use with Item #7) (1 Required)</i>	85743019



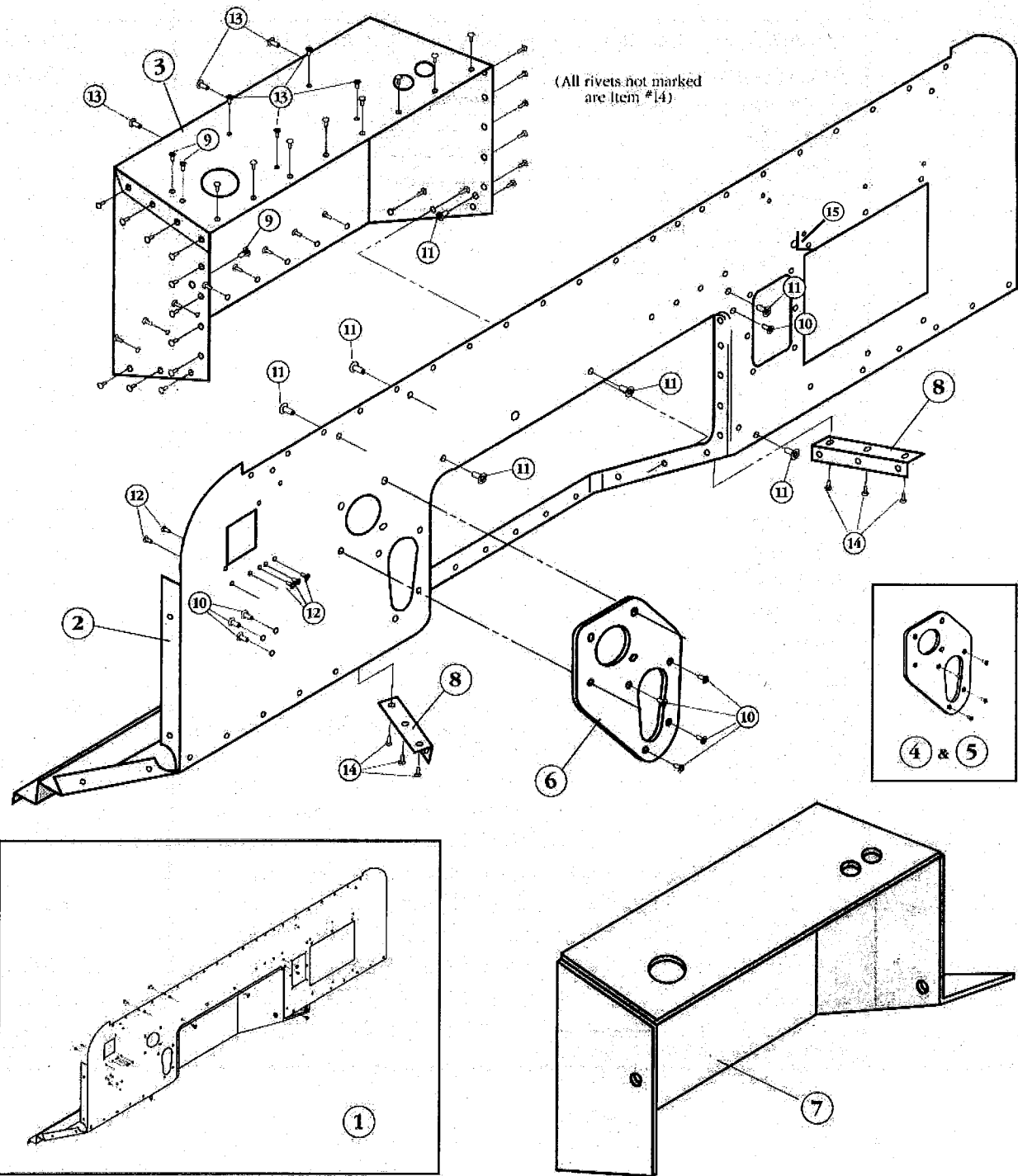
# LOWER WINDSHIELD & A-POST ASSEMBLY



# LOWER WINDSHIELD & A-POST ASSEMBLY

ILLUS. NO.	DESCRIPTION	PART NUMBER
1	<b>ASSEMBLY</b> , Windshield Rail, Lower <i>(Includes Item #2, 3, 4, 6, 7, 14, 15)</i>	15614300
2	<b>RAIL</b> , Windshield	85614001
3	<b>EXTENSION</b> , Rail, Windshield	85614002
4	<b>SHELF</b> , Dash	85614003
5	<b>COVER</b> , Vinyl, Dash <i>(Use with Item #4)</i>	85683030
6	<b>STIFFENER</b> , Skirt, RS	85609003
7	<b>STIFFENER</b> , Skirt, LS	85609004
8	<b>UNPAINTED A-POST</b> , RS	85610005
8	<b>PAINTED A-POST</b> , RS	05610005
9	<b>UNPAINTED A-POST</b> , LS	85610006
9	<b>PAINTED A-POST</b> , LS	05610006
10	<b>SEAL</b> , A-Post, RS x 98.0"	85684033
11	<b>SEAL</b> , A-Post, LS x 101.0"	85684034
12	<b>GUSSET</b> <i>(2 Required / 1 per side)</i>	85610007
13	<b>PLATE</b> , Splice <i>(2 Required / 1 per side)</i>	85610011
14	<b>STIFFENER</b> , Shear, LS	85610009
15	<b>STIFFENER</b> , Shear, RS	85610010
16	<b>STAMPING</b> , Windshield Corner, RS	85609001
17	<b>STAMPING</b> , Windshield Corner, LS	85609002
18	<b>COVER</b> , Dash, Road End	85683031
19	<b>COVER</b> , Dash, Curb End	85683032
20	<b>SEAL</b> , Dash Shelf with Adhesive <i>(2 Required / 1 per side)</i>	85603046
21	<b>RIVET</b> , AL, BR HD, 3/16 x 7/16 <i>(Use with Item #8 &amp; 9 - 6 Required/Each; Item #12-2 Required/Each; Item #13-2 Required/Each; Item #16 &amp; 17 - 7 Required/Each)</i>	1117355
22	<b>RIVET</b> , AL, BR HD, 3/16 x 5/16 <i>(Use with Item #16 &amp; 17 - 7 Required/Each; Item #4 - 20 Required; Item #3 - 18 Required)</i>	1117351
23	<b>RIVET</b> , AL, BR HD, 3/16 x 3/8 <i>(Use with Item #16 &amp; 17 - 32 Required/Each; Item #4 - 6 Required; Item #6 &amp; 7 - 2 Required/Each)</i>	1117353
24	<b>RIVET</b> , AL, BR HD, 3/16 x 1/2 <i>(Use with Item #16, 17) (1 Required/Each)</i>	1117357
25	<b>RIVET</b> , AL, BR HD, 1/4 x 3/8 <i>(Use with Item #16, 17) (2 Required/Each)</i>	85780529
26	<b>RIVET</b> , AL, BR HD, 1/4 X 7/16 <i>(Use with Item #16, 17) (1 Required/Each)</i>	1117072
27	<b>PLUSNUT</b> , Steel <i>(Use with Item #16, 17) (6 Required/Each)</i>	85787001
NS	<b>SEALANT CHEMREX CX-26 STD WHT</b>	41002032

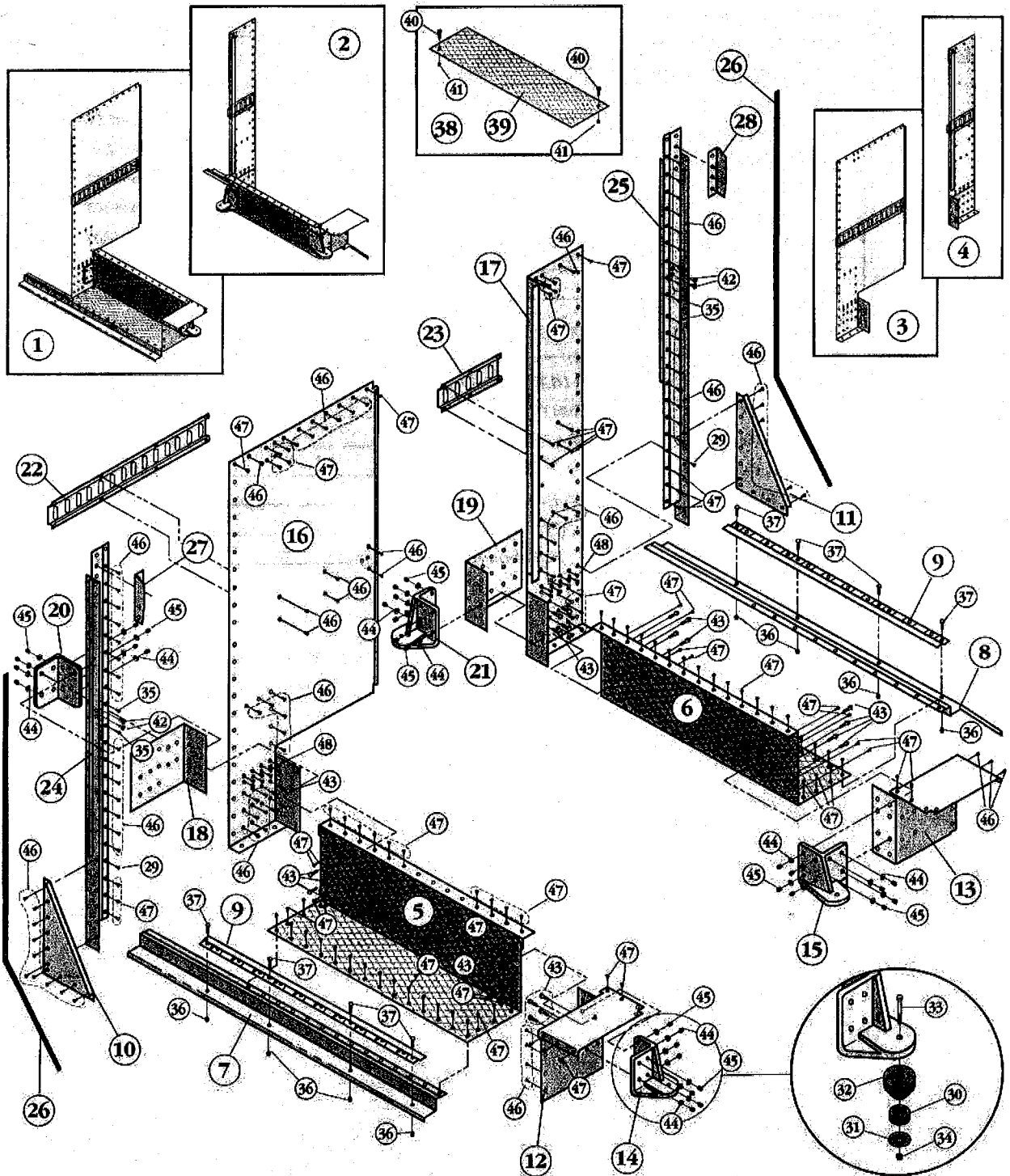
# DASH (ENGINE BOX) ASSEMBLY



# DASH (ENGINE BOX) ASSEMBLY

ILLUS. NO.	DESCRIPTION	PART NUMBER
1	<b>ASSEMBLY</b> , Dash ( <i>Painted</i> ) ( <i>Includes Item #2, 3, 7, 8, 9 thru 14</i> )	05608306
2	<b>PANEL</b> , Dash, Formed	85608030
3	<b>BOX</b> , Engine, Formed	85608312
4	<b>ASSEMBLY</b> , Reinforcement Plate ( <i>Undercoated</i> ) ( <i>Includes Item #6, 10</i> )	05608307
5	<b>ASSEMBLY</b> , Reinforcement Plate ( <i>Includes Item #6, 10</i> )	<b>NOT AVAILABLE</b>
6	<b>PLATE</b> , Reinforcement ( <i>Included in #4</i> )	05608307
7	<b>INSULATION</b> , Engine Box	85680002
8	<b>CLIP</b> , Splash Pan	85608025
9	<b>RIVNUT</b> , Hex Steel	85786113
10	<b>RIVNUT</b> , Hex Steel, 1 x .085 / .144 ( <i>8 Required</i> )	85786114
11	<b>RIVNUT</b> , Hex Steel, 1.25 x .020 / .100 ( <i>7 Required</i> )	85786116
12	<b>RIVNUT</b> , Hex Steel, .7 x .079 / .188 ( <i>5 Required</i> )	85786210
13	<b>RIVNUT</b> , Hex Steel, .7 x .010 / .079 ( <i>7 Required</i> )	85786211
14	<b>RIVET</b> , AL, BR HD, 3/16 x 3/8 ( <i>46 Required</i> )	1117353
15	<b>ANGLE CLIP</b>	85611012

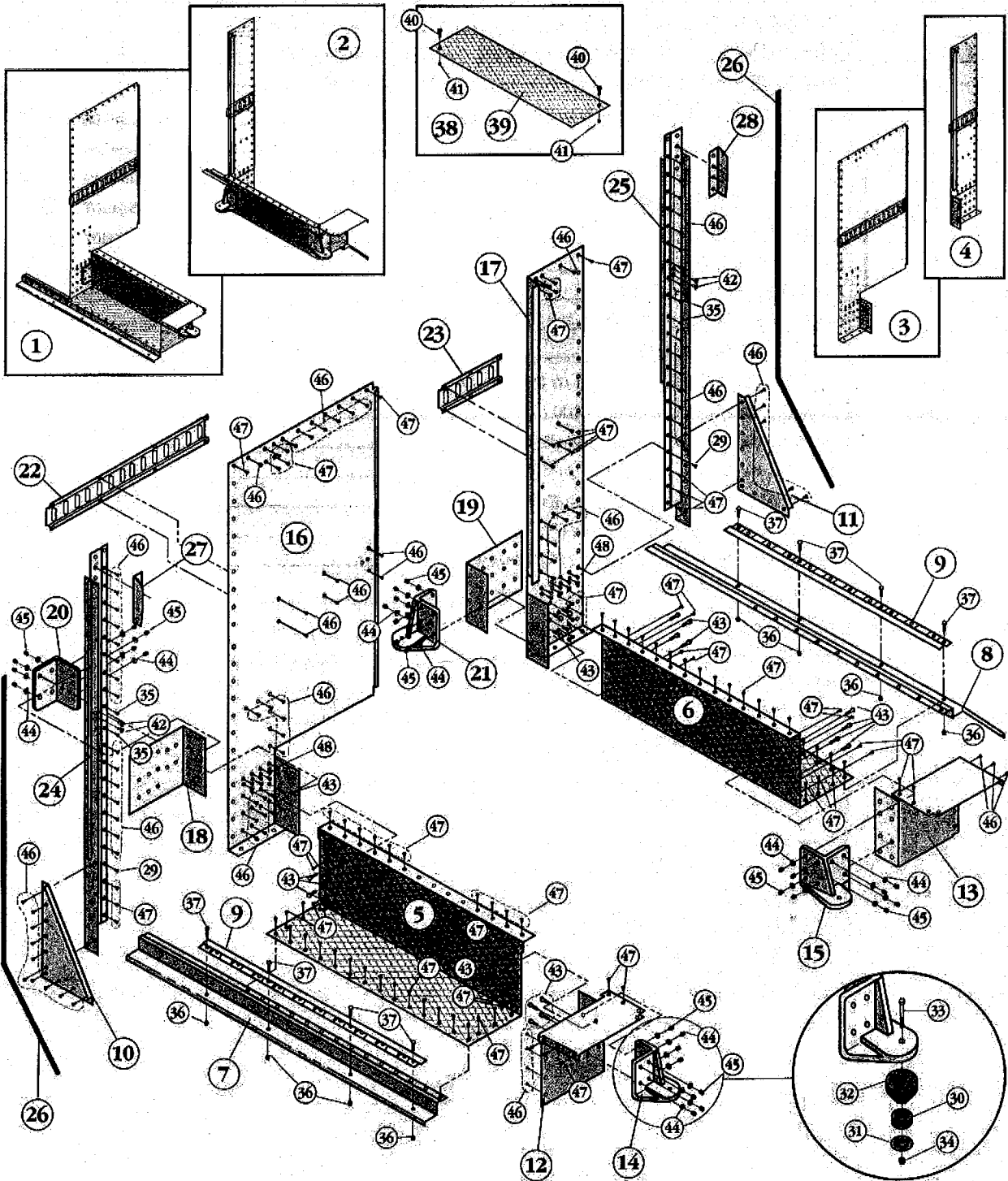
# STEP ASSEMBLIES & BULKHEAD PANELS



# STEP ASSEMBLIES & BULKHEAD PANELS

ILLUS. NO.	DESCRIPTION	PART NUMBER
1	<b>ASSEMBLY</b> , Step, RS <i>(Includes Item #3, 5, 7, 12, 14, 20, 43, 44, 45, 47, 48)</i>	15613301
2	<b>ASSEMBLY</b> , Step, LS <i>(Includes Item #4, 6, 8, 13, 15, 21, 43, 44, 45, 47, 48)</i>	15613304
3	<b>SUB ASSEMBLY</b> , Bulkhead, RS <i>(Includes Items #16, 18, 22, 46, 47)</i>	15613302
4	<b>SUB ASSEMBLY</b> , Bulkhead, LS <i>(Includes Items #17, 19, 23, 46, 47)</i>	15613305
5	<b>PANEL</b> , Step Well, RS	85613008
6	<b>PANEL</b> , Step Well, LS	85613009
7	<b>SILL</b> , Side, RS	85613074
NS	<b>SILL</b> , Side, RS <i>(Painted)</i>	05613074
8	<b>SILL</b> , Side, LS	85613013
NS	<b>SILL</b> , Side, LS <i>(Painted)</i>	05613013
9	<b>CASTING</b> , Side Door Track <i>(2 Required)</i>	85622014
NS	<b>EXTENDED LOWER DOOR TRACK</b> , RS <i>(1 Required)</i>	81600326
10	<b>GUSSET</b> , Side Door, RS	85613019
11	<b>GUSSET</b> , Side Door, LS	85613020
12	<b>PANEL</b> , Closure, Front Step, RS	85613010
13	<b>PANEL</b> , Closure, Front Step, LS	85613011
14	<b>MOUNT</b> , Body, A-Post, RS	85613030
15	<b>MOUNT</b> , Body, A-Post, LS	85613029
16	<b>PANEL</b> , Bulkhead, Stationary, RS	85613001
17	<b>PANEL</b> , Bulkhead, Stationary, LS	85613016
18	<b>PLATE</b> , Doubler, Step Well, RS	85613003
19	<b>PLATE</b> , Doubler, Step Well, LS	85613004
20	<b>MOUNT</b> , Body, B-Post, RS	85613038
21	<b>MOUNT</b> , Body, B-Post, LS	85613037
22	<b>RETAINER</b> , Load, Bulkhead, RS	85613002
23	<b>RETAINER</b> , Load, Bulkhead, LS	85613017
24	<b>B-POST</b> , RS	85613005
NS	<b>B-POST</b> , RS <i>(Painted)</i>	05613005
25	<b>B-POST</b> , LS	85613006
NS	<b>B-POST</b> , LS <i>(Painted)</i>	05613006
26	<b>SEAL</b> , B-Post	85603028
27	<b>ANGLE</b> , Support Seat Belt, RS	85694030
28	<b>ANGLE</b> , Support Seat Belt, LS	85694031
29	<b>RIVET</b> , AL, BR HD, 3/16 x 9/16	1117359

# STEP ASSEMBLIES & BULKHEAD PANELS

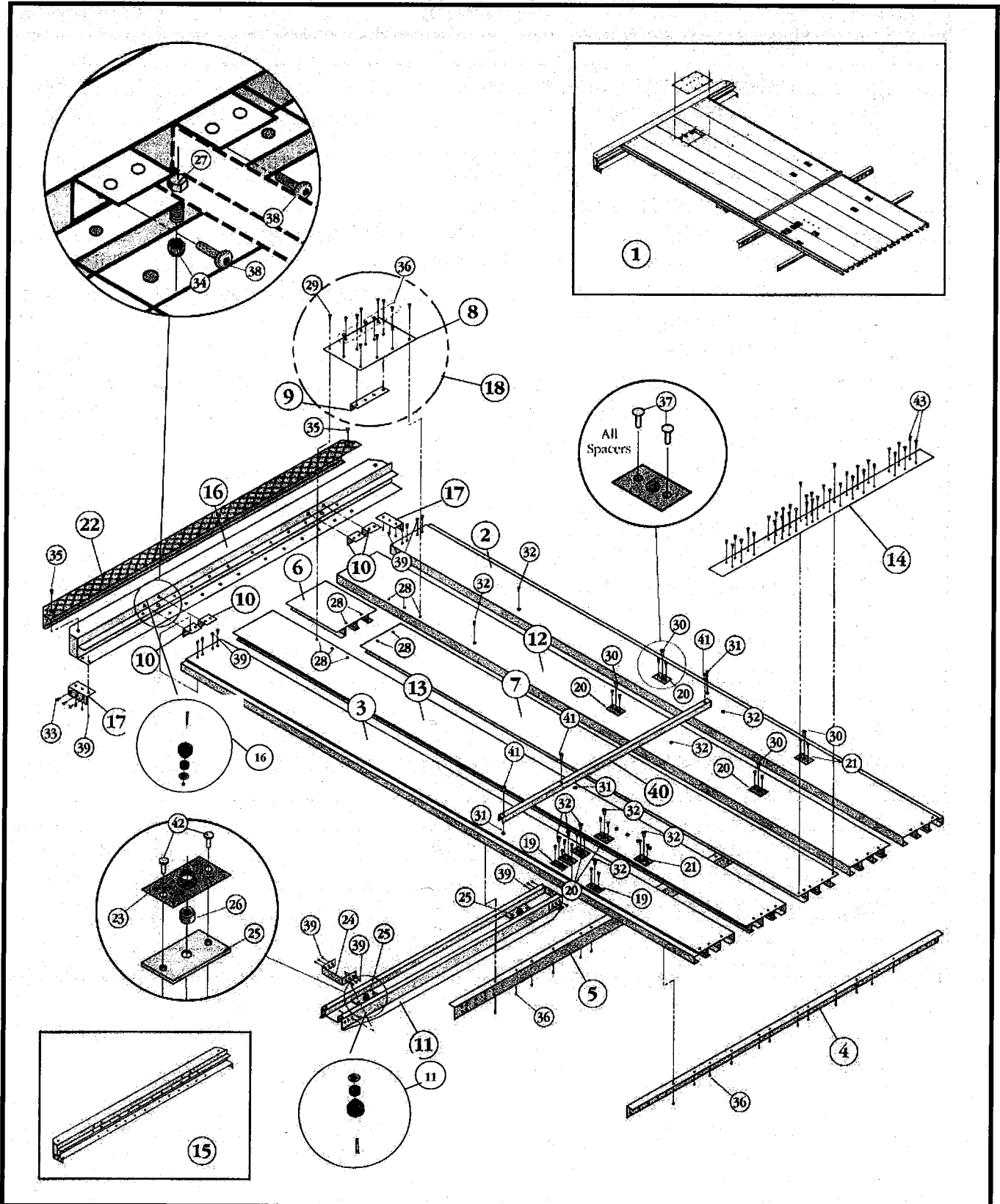




# STEP ASSEMBLIES & BULKHEAD PANELS

ILLUS. NO.	DESCRIPTION	PART NUMBER
30	<b>ASSEMBLY</b> , Cushion, Body Mount, Lower	14032743
31	<b>RETAINER</b> , Body Bolt	15688319
32	<b>ASSEMBLY</b> , Cushion, Body	15564811
33	<b>BOLT</b> , Hex Head, 1/2 - 13 x 3.5 (4 Required)	85743016
34	<b>NUT</b> , Hex Locking, 1/2 - 13 (4 Required)	85720809
35	<b>RIVET</b> , AL, BR HD, 3/16 x 1/2 (Use with Item #18, 19) (2 Required/Each)	1117357
36	<b>NUT</b> , Nylock (Use with Item #9) (4 Required/Each)	85720705
37	<b>SCREW</b> , Flat Head Slotted, 5/16 - 18 x 3/4 (Use with Item #9) (4 Required/Each)	85743202
38	<b>KIT</b> , Step Wear Plate (Includes Item #39, 40, 41 with Caulking)	81600140
39	<b>PLATE</b> , Step Wear	81600135
40	<b>SCREW</b> , Torx, 10/24 x 1.00 (2 Required)	85743129
41	<b>NUT</b> , Nylock 10 -24 (2 Required)	85720702
42	<b>RIVNUT</b> , Hex Steel (Use with Item #24, 25) (2 Required/Each)	85786013
43	<b>BOLT</b> , Hex Head, 3/8 x 16 x 1.25 (32 Required)	85743020
44	<b>WASHER</b> , Flat (32 Required)	85761014
45	<b>NUT</b> , Lock (32 Required)	85720707
46	<b>RIVET</b> , AL, BR HD, 3/16 x 3/8 (12 Required)	1117353
47	<b>RIVET</b> , AL, BR HD, 3/16 x 7/16 (66 Required)	1117355
48	<b>RIVET</b> , AL, BR HD	1117359
NS	<b>SEALANT</b> , Sika 221, White	41002032
NS	<b>TAPE</b> , Dielectric 2" (Roll)	85673003
NS	<b>TAPE</b> , Dielectric 3" (Roll)	85673004
NS	<b>TAPE</b> , Dielectric 4" (Roll)	85673005
NS	<b>STEP WEAR PLATE KIT</b> , Overlay kit for step area ( includes A,B,C,D)	81600140
A	<b>STEP WEAR PLATE</b>	81600135
B	<b>NUT</b> , NYLOCK 10-24 SST	85720702
C	<b>SCREW</b> , PAN HEAD TORX SST 10-24 X1.00	85743129
D	<b>SEALANT CHEMREX</b> , CX-26 STD WHT	41002032
NS	<b>STEP GRATE KIT</b> (Includes clips and grate)	81600388
NS	<b>CLIPS</b>	81600386
NS	<b>GRATE</b>	81600387

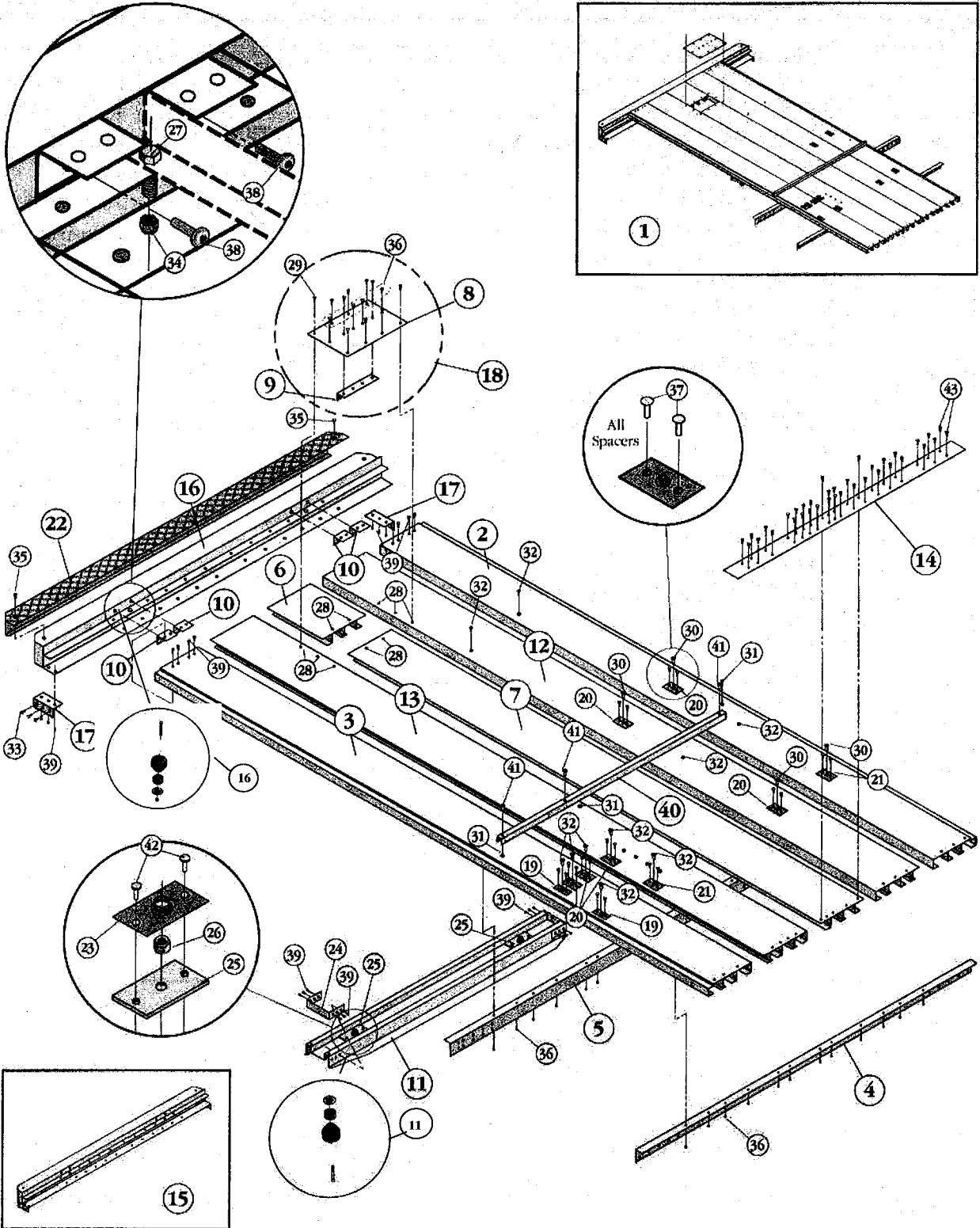
# FLOOR



# FLOOR

ILLUS. NO.	DESCRIPTION	PART NUMBER
1	<b>ASSEMBLY, Floor (Undercoated) (Includes Items #2 thru 7, 10 thru 13, 15, 18 thru 21, 23 thru 34, 37, 38, 40, 41, 42)</b>	05613310
2	<b>EXTRUSION, Outside, LS</b>	85613034
3	<b>EXTRUSION, Outside, RS</b>	85613035
4	<b>CROSSMEMBER, Forward</b>	85613036
5	<b>CROSSMEMBER, Aft</b>	85613076
6	<b>EXTRUSION, Center, Rear</b>	85613039
7	<b>EXTRUSION, Center</b>	85613040
8	<b>PLATE, Cover, Send Unit</b>	85613077
9	<b>ANGLE, Cover Plate</b>	85613045
10	<b>CLIP, Floor to Sill (4 Required)</b>	85613042
11	<b>CROSSMEMBER</b>	85613043
11	<b>BOLT, Hex Head (2 Required)</b>	85743016
11	<b>RETAINER, Body Bolt (2 Required)</b>	15688319
11	<b>CUSHION, Body Upper (2 Required)</b>	15564811
11	<b>CUSHION, Body Lower (2 Required)</b>	14032743
12	<b>EXTRUSION, Inside, LS</b>	85613060
13	<b>EXTRUSION, Inside, RS</b>	85613061
14	<b>PLATE, Splice, Front</b>	85613062
15	<b>ASSEMBLY, Rear Sill (Includes Item #16, 17, 39)</b>	35613310
16	<b>SILL, Rear</b>	85613044
16	<b>BOLT, Hex Head (2 Required)</b>	85743016
16	<b>CUSHION, Body Upper (2 Required)</b>	15564811
16	<b>CUSHION, Body Lower (2 Required)</b>	14032743
16	<b>NUT, Hex Locking (2 Required)</b>	85720809
17	<b>CLIP, Sill to Side Panel (2 Required)</b>	85613046

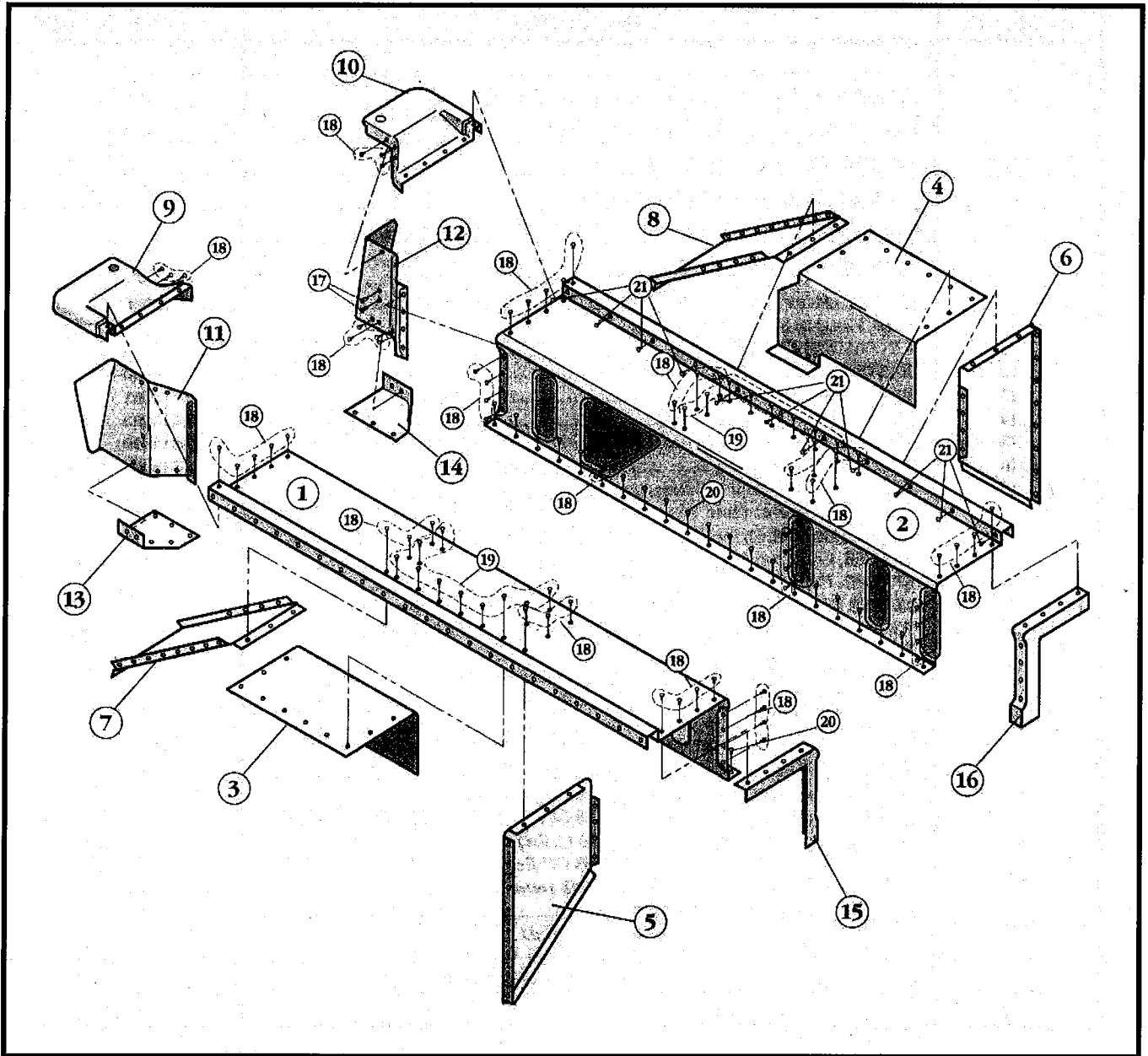
# FLOOR



# FLOOR

ILLUS. NO.	DESCRIPTION	PART NUMBER
18	<b>ASSEMBLY</b> , Cover Plate <i>(Includes Items #8, 9, 36)</i>	25613310
19	<b>RADIUS BLOCK</b> , Driver Seat <i>(2 Required)</i>	85694011
20	<b>SPACER</b> , Observer Seat <i>(6 Required)</i>	85694025
21	<b>SPACER</b> , Passenger Seat <i>(2 Required)</i>	85694026
22	<b>COVER KIT</b> , Rear Sill <i>(Includes 1 - Rear Sill Cover and Item #35)</i>	81600155
23	<b>RETAINER</b> , Nut <i>(Undercoated) (Use with Item #11) (2 Required)</i>	05613071
23	<b>RETAINER</b> , Nut <i>(Not Painted) (Use with Item #11) (2 Required)</i>	05613071
24	<b>CLIP</b> , Crossmember <i>(2 Required)</i>	85613065
25	<b>RADIUS BLOCK</b> <i>(Use with Item #11) (2 Required)</i>	85613072
26	<b>NUT</b> , Nylock, Hex, .500 - 13 <i>(Use with Item #11) (2 Required)</i>	85720709
27	<b>BOLT</b> , Hex Head, 1/4 - 20 x .625 <i>(Use with Item #16) (2 Required)</i>	85743003
28	<b>NUTSERT</b> , 10 -24 <i>(Use with Item #8) (10 Required)</i>	85788000
29	<b>SCREW</b> , Torx, Pan Head, 10 - 24 x .750 <i>(Use with Item #8) (10 Required)</i>	85743124
30	<b>RIVNUT</b> , Hex Steel, 5/16 - 18 x .105/.175 <i>(4 Required)</i>	85786017
31	<b>RIVNUT</b> , Hex Steel, 1/4 - 20 x .085/.140 <i>(3 Required)</i>	85786014
32	<b>RIVNUT</b> , Hex Steel, 5/16 - 18 x .315/.385 <i>(10 Required)</i>	85786022
33	<b>RIVET</b> , AL, BR HD, 3/16 x 7/16 <i>(Use with Item #17) (6 Required)</i>	1117355
34	<b>NUT</b> , Nylatch, 1/4 - 20 <i>(2 Required)</i>	85720704
35	<b>RIVET</b> , Pop <i>(Use with Item #16) (2 Required)</i>	85780212
36	<b>RIVET</b> , AL, BR HD, 3/16 x 1/2 <i>(Use with Item #4, 5, 18) (28 Required)</i>	1117357
37	<b>RIVET</b> , Pop <i>(Use with Item #20, 21) (2 Required/Each)</i>	85780208
38	<b>RIVET</b> , Blind <i>(Use with Item #10) (1 Required/Each)</i>	85780231
39	<b>RIVET</b> , AL, BR HD, 3/16 x 9/16 <i>(Use with Item #2-4 Required; Item #3-4 Required; Item #17-3 Required/Each)</i>	1117359
40	<b>TRACK</b> , Bulkhead Door, Lower	85613073
41	<b>SCREW</b> , Torx, Flathead, SST, 1/4 - 2 x 1.50 <i>(Use with Item #40) (3 Required)</i>	85743201
42	<b>RIVET</b> , AL, BR HD, 3/16 x 5/8 <i>(Use with Item #23) (2 Required)</i>	1117361
43	<b>RIVET</b> , Magna Lock <i>(Use with Item #14) (36 Required)</i>	85780222
NS	<b>PAINT</b> , Non Skid, Ambient, Floor	81600340

# WHEEL BOXES

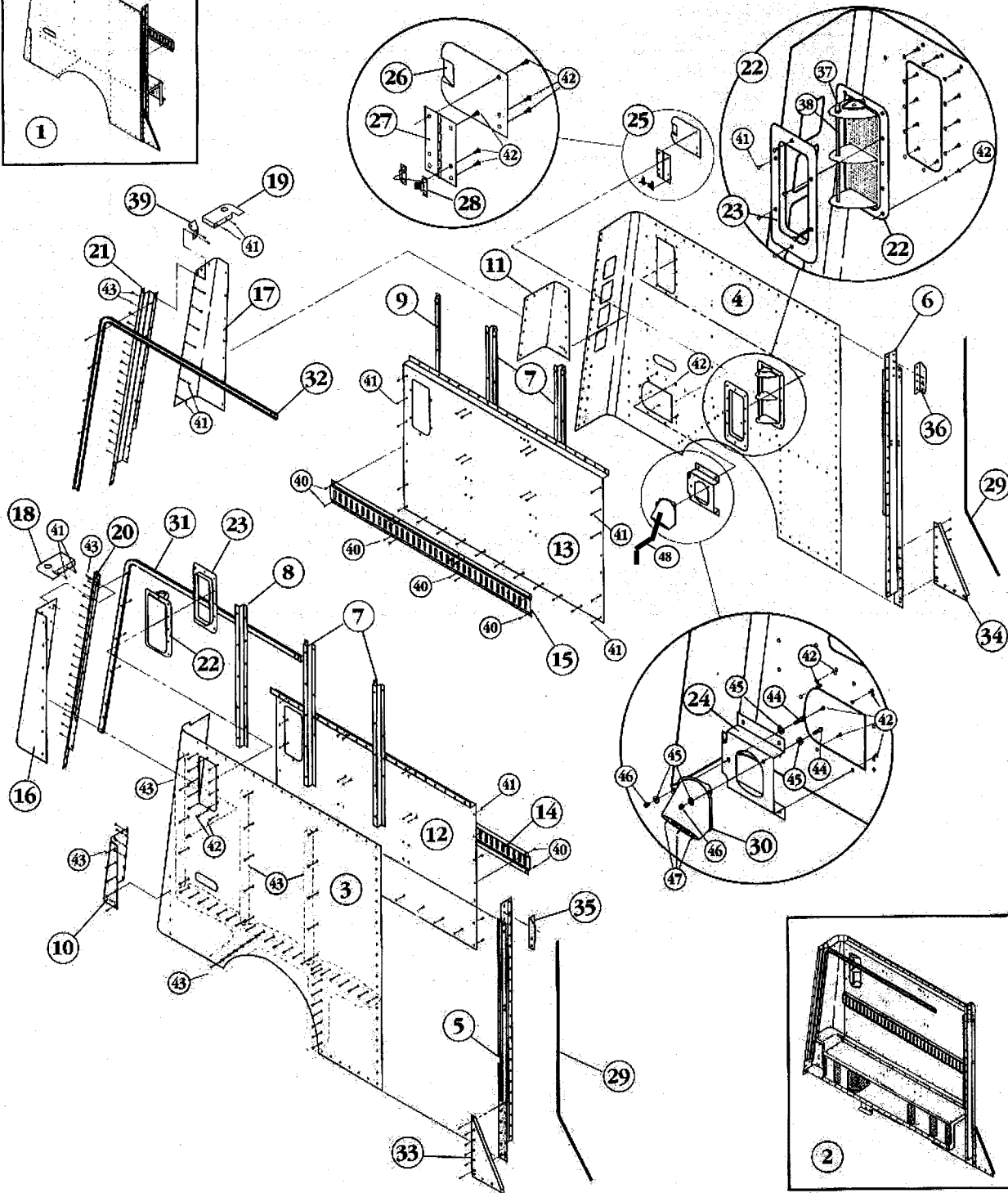
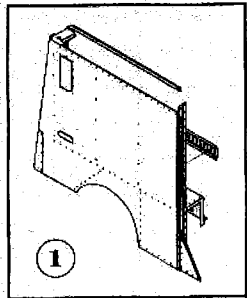


# WHEEL BOXES

ILLUS. NO.	DESCRIPTION	PART NUMBER
1	<b>WHEELBOX, RS</b>	85613024
2	<b>WHEELBOX, LS</b>	85613025
3	<b>LINER, Wheelbox, RS</b>	85613032
4	<b>LINER, Wheelbox, LS</b>	85613033
5	<b>STIFFENER, Forward, Wheelbox, RS</b>	85613022
6	<b>STIFFENER, Forward, Wheelbox, LS</b>	85613023
7	<b>STIFFENER, Rear, Wheelbox, RS</b>	85613026
8	<b>STIFFENER, Rear, Wheelbox, LS</b>	85613027
9	<b>STAMPING, Rear, Wheelbox, Cap, RS</b>	85613056
10	<b>STAMPING, Rear, Wheelbox, Cap, LS</b>	85613057
11	<b>STAMPING, Rear, Wheelbox, Body, RS</b>	85613053
12	<b>STAMPING, Rear, Wheelbox, Body, LS</b>	85613054
13	<b>STAMPING, Rear, Wheelbox, Clip, RS</b>	85613058
14	<b>STAMPING, Rear, Wheelbox, Clip, LS</b>	85613059
15	<b>STAMPING, Forward, Wheelbox Closure, RS</b>	85613048
16	<b>STAMPING, Forward, Wheelbox Closure, LS</b>	85613050
17	<b>RIVNUT, Hex Steel, .250 - 20 x .020/.085(2 Required/Each)</b>	85786013
18	<b>RIVET, AL, BR HD, 3/16 x 5/16 (38 Required/Each)</b>	1117351
19	<b>RIVET, AL, BR HD, 3/16 x 3/8 (Use with Item #3, 4) (10 Required/Each)</b>	1117353
20	<b>RIVET, AL, BR HD, 3/16 x 7/16 (Use with Item #1, 2) (21 Required/Each)</b>	1117355
21	<b>RIVET, Nylon Blind (Use with Item #1, 2) (11 Required/Each)</b>	85792002
<b>NS</b>	<b>SEALANT CHEMREX CX-26 STD WHT</b>	41002032



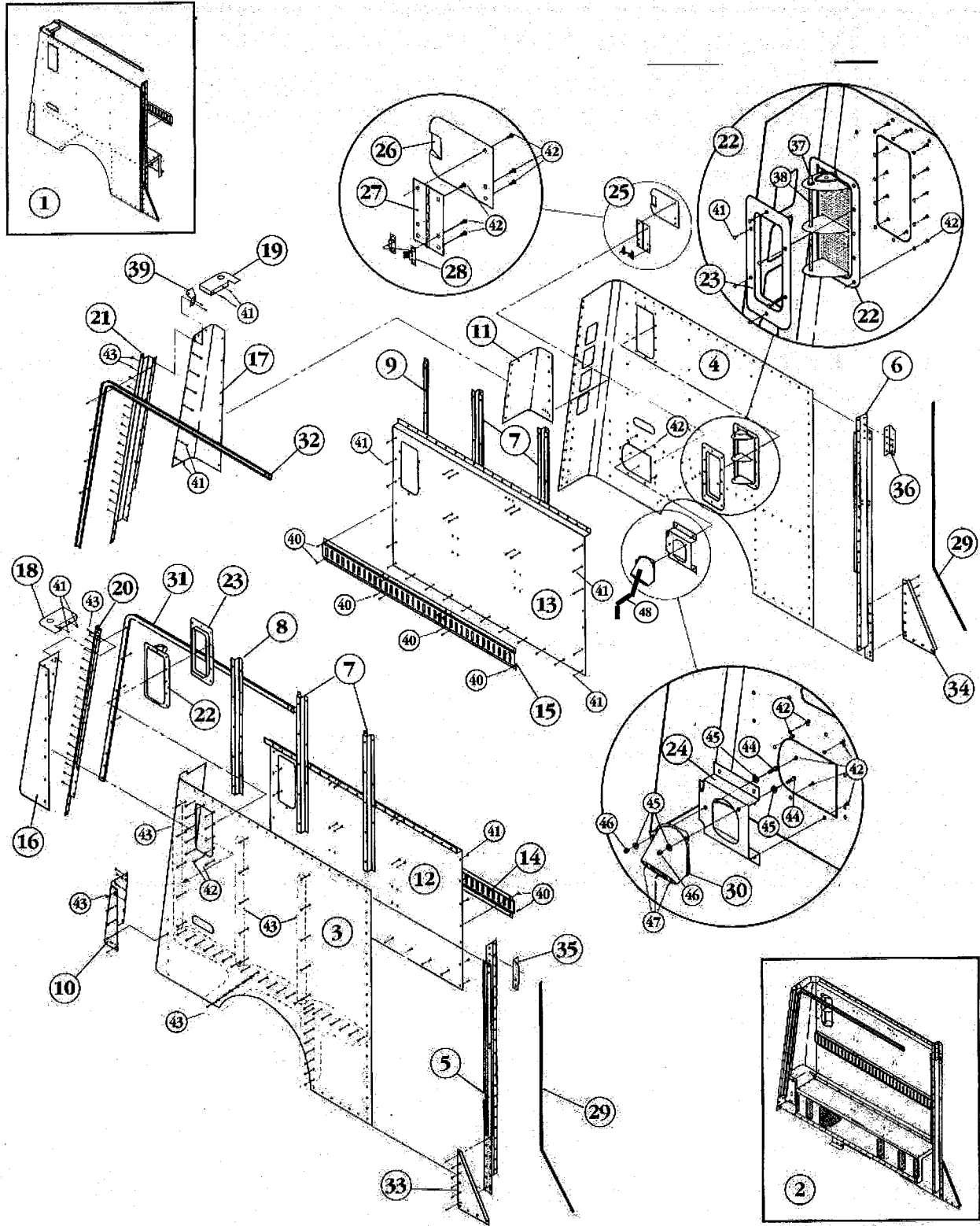
# SIDE PANELS



# SIDE PANELS

ILLUS. NO.	DESCRIPTION	PART NUMBER
1	<b>ASSEMBLY</b> , Side, RS <i>(Includes Item #3, 5, 7, 8, 10, 12, 14, 16, 18, 20, 22, 31, 33, 35, 40, 41, 42, 43, Page 10-23 ~ Item # 1, 3, 5, 7, 9, 11, 13, 15, 17)</i>	45612300
2	<b>ASSEMBLY</b> , Side, LS <i>(Includes Item # 4, 6, 7, 9, 11, 13, 15, 17, 19, 21, 22, 24, 25, 32, 34, 36, 39, 40, 41, 42, 43, 45, 46, Page 10-23 ~ Item #2, 4, 6, 8, 10, 12, 14, 16)</i>	45612301
3	<b>PANEL</b> , Side/Back, RS	85612003
4	<b>PANEL</b> , Side/Back, LS	85612004
5	<b>B-POST</b> , RS	85613005
6	<b>B-POST</b> , LS	85613006
7	<b>STIFFENER</b> , Side, Extrusion <i>(2 Required/Each)</i>	85612001
8	<b>ZEE</b> , RS	85612021
9	<b>ZEE</b> , LS	85612011
10	<b>GUARD</b> , Corner, Rear, RS	85612014
11	<b>GUARD</b> , Corner, Rear, LS	85612015
12	<b>LINER</b> , Side, RS	85612007
13	<b>LINER</b> , Side, LS	85612008
14	<b>RETAINER</b> , Load, Side, RS	85612018
15	<b>RETAINER</b> , Load, Side, LS	85612017
16	<b>LINER</b> , Rear, RS	85612009
17	<b>LINER</b> , Rear, LS	85612010
18	<b>BRACKET</b> , Corner, Upper Rear, RS	85612005
19	<b>BRACKET</b> , Corner, Upper Rear, LS	85612006
20	<b>POST</b> , Rear Door, RS	85612012
21	<b>POST</b> , Rear Door, LS	85612013
22	<b>UNPAINTED VENT</b> , Cargo Compartment <i>(2 Required)</i>	85691001
22	<b>PAINTED VENT</b> , Cargo Compartment <i>(2 Required)</i>	05691001
22	<b>KIT</b> , Painted Vent, Cargo Compartment <i>(2 Required) (includes 12 painted rivets - 85780501)</i>	01691001
23	<b>RING</b> , Trim <i>(2 Required)</i>	85691002
24	<b>BRACKET</b> , Fuel Fill	85612020
25	<b>ASSEMBLY</b> , Fuel Fill Door <i>(Includes Items #26, 27, 28, 42)</i>	15612302

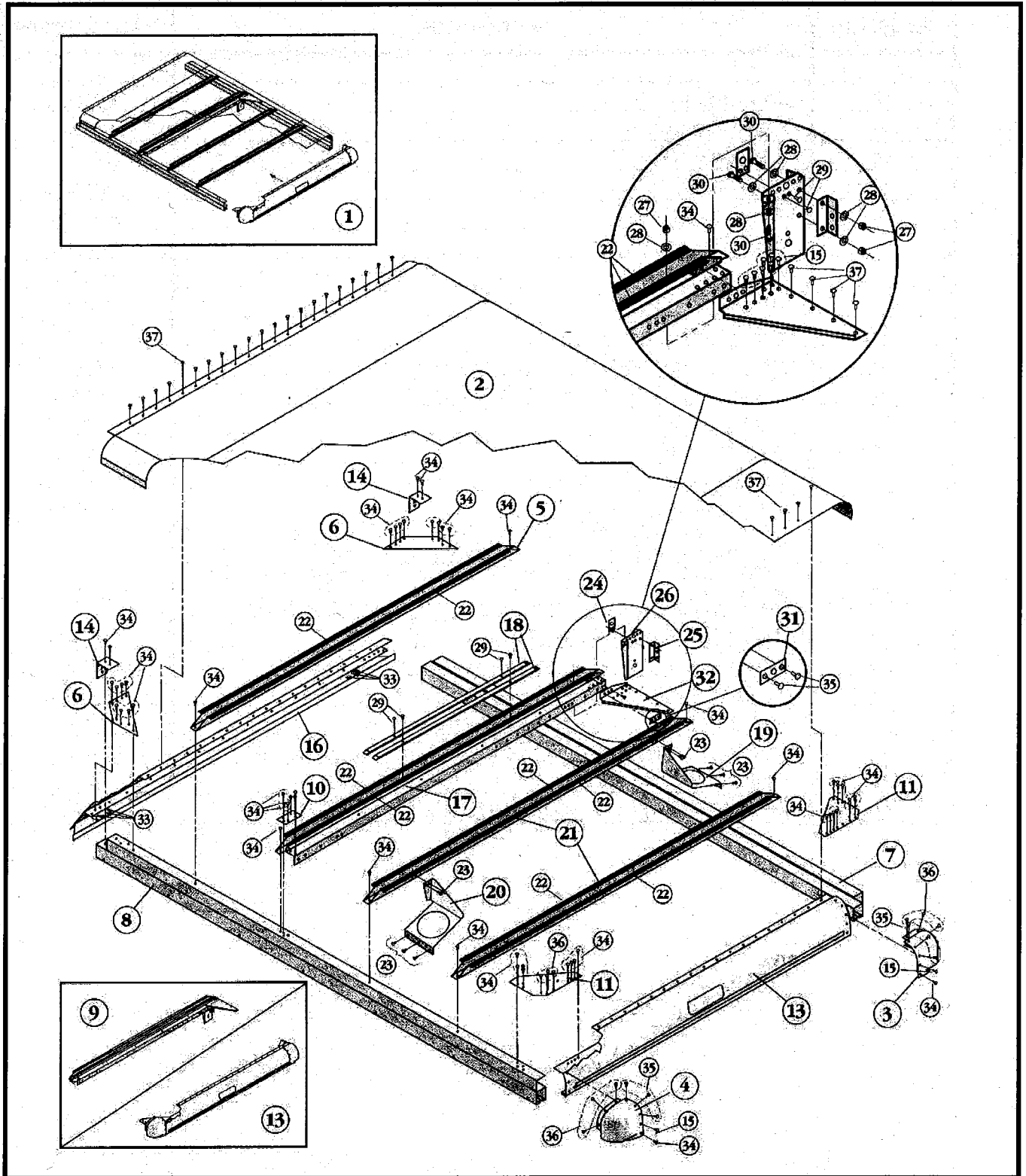
# SIDE PANELS



# SIDE PANELS

ILLUS. NO.	DESCRIPTION	PART NUMBER
26	<b>DOOR</b> , Fuel Fill	85612019
27	<b>HINGE</b> , Fuel Fill Door	85681004
28	<b>ASSEMBLY</b> , Spring	85676004
29	<b>SEAL</b> , B-Post	85603028
30	<b>HOUSING</b> , Fuel Filler Pipe	85676001
31	<b>TRACK</b> , Rear Door, RS	81692003
32	<b>TRACK</b> , Rear Door, LS	81692004
33	<b>GUSSET</b> , Side Door, RS	85613019
34	<b>GUSSET</b> , Side Door, LS	85613020
35	<b>ANGLE</b> , Support, Seat Belt Shoulder Harness, RS	85694030
36	<b>ANGLE</b> , Support, Seat Belt Shoulder Harness, LS	85694031
37	<b>VENT</b> , Bushing Cargo	81600109
38	<b>VENT</b> , Rod Salem	81600168
39	<b>BRACKET</b> , Switch, Rear Door <i>(Use with Item #14, 15)</i>	85692015
40	<b>RIVET</b> , Blind <i>(Use with Item #14, 15) (12 Required/Each)</i>	85780230
41	<b>RIVET</b> , Nylatch <i>(Use with Item #12 - 27 Req'd; #13 - 27 Req'd; #16 - 15 Req'd; #17 - 15 Req'd; #18 - 2 Req'd; #19 - 2 Req'd; #23 - 6 Req'd)</i>	85792002
42	<b>RIVET</b> , AL, BR HD, 3/16 x 5/16 <i>(Use with Item #22 - 12 Req'd; #24 - 6 Req'd; #26 - 6 Req'd; #27 - 4 Req'd)</i>	1117351
43	<b>RIVET</b> , AL, BR HD, 3/16 x 3/8 <i>(Use with Item #3, 4 - 40 Req'd/Each; #7, 8, 9 - 5 Req'd; #10 - 7 Req'd; #20, 21 - 17 Req'd/Each)</i>	1117353
44	<b>BOLT</b> , Hex Head, 1/4 - 20 x .750 <i>(Use with Item #30) (2 Required)</i>	85743007
45	<b>WASHER</b> , Flat, SST, 1/4" <i>(Use with Item #30) (4 Required)</i>	85761003
46	<b>NUT</b> , Nylock, 1/4 - 20 <i>(Use with Item #30) (2 Required)</i>	85720704
47	<b>SCREW</b> , Pan Head, Phillips, #8 - 1/2 <i>(Use with Item #30) (3 Required)</i>	85743303
48	<b>PIPE</b> , Fuel Tank, Filler Neck	15568005
NS	<b>SEALANT CHEMREX</b> , CX-26 STD WHT	41002032

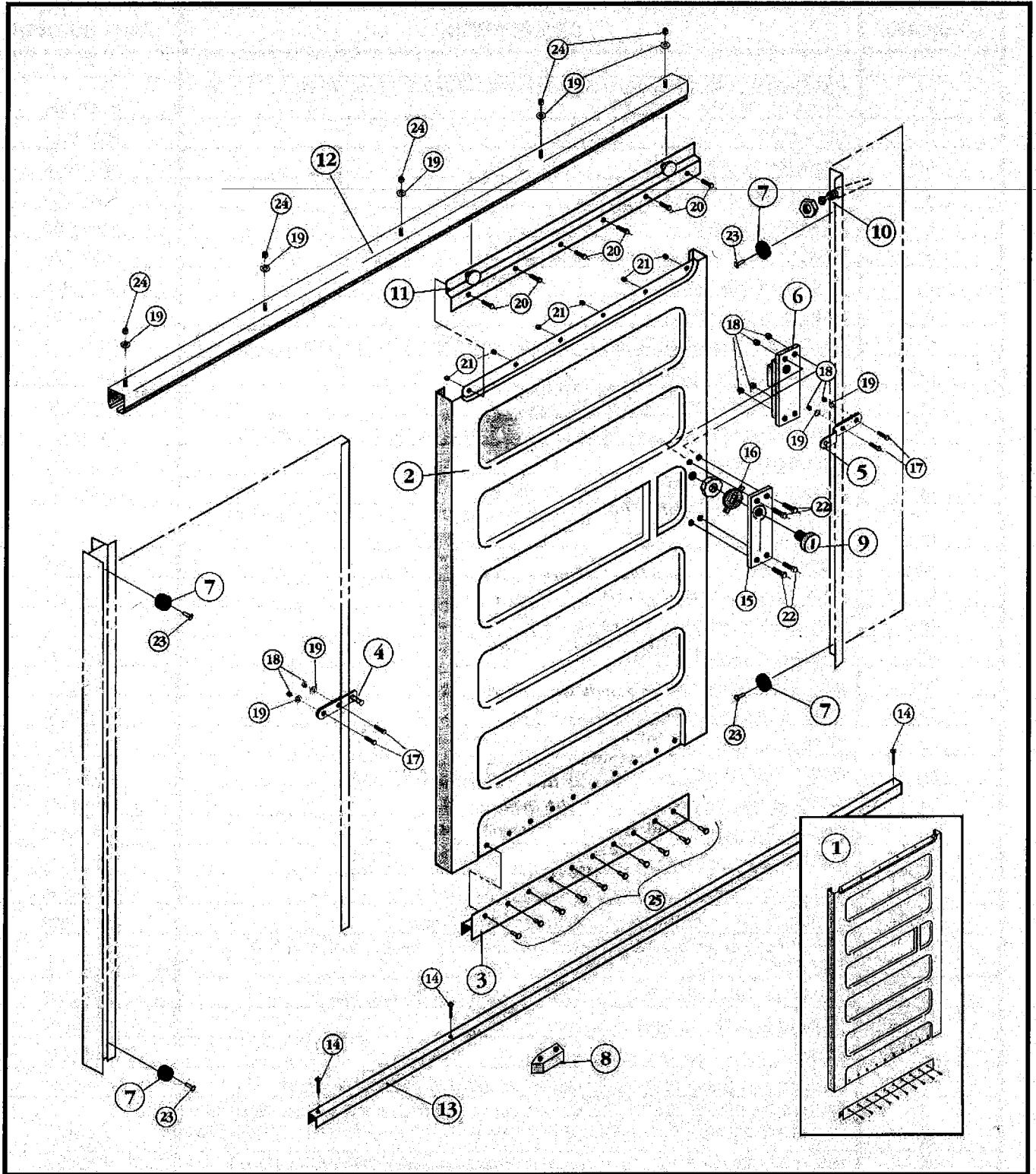
# ROOF



# ROOF

ILLUS. NO.	DESCRIPTION	PART NUMBER
1	<b>ASSEMBLY</b> , Roof, Complete (Includes Item #2, 5 thru 9, 12, 14, 15 16, 21, 22, 27, 33, 34, 35, 36, 37)	81611300
2	<b>SKIN</b> , Roof	85611013
3	<b>CORNER</b> , Roof, Rear, RS	85611016
4	<b>CORNER</b> , Roof, Rear, LS	85611015
5	<b>BOW</b> , Roof, Bowed	85611005
6	<b>GUSSET</b> , Roof Corner, Front (2 Required)	85611006
7	<b>RAIL</b> , Roof Side, RS	85611008
8	<b>RAIL</b> , Roof Side, LS	85611007
9	<b>ASSEMBLY</b> , Gusset, Vertical, RS (Includes Item #10, 15, 17, 18, 24 thru 32, 34, 35)	25611302
10	<b>GUSSET</b> , Roof Side Rail	85611009
11	<b>GUSSET</b> , Roof Corner, Rear (2 Required)	85611010
12	<b>SUB-ASSEMBLY</b> , Transom, Rear (Includes Item #3, 4, 11, 13, 15, 34, 35, 36)	25611301
13	<b>TRANSOM</b> , Rear	85611011
14	<b>ANGLE</b> , Clip, Roof Rail to A-Post (2 Required)	85611012
15	<b>RIVET</b> , AL, BR HD, 3/16 x 7/16 (Use with Item #3, 4 - 1 Required/Each; Item #32 - 7 Required)	1117355
16	<b>NOSING</b> , Front	85611014
17	<b>BOW</b> , Roof Bulkhead	85611017
18	<b>SPACERS</b> , Roof Skin (2 Required)	85611002
19	<b>BRACKET</b> , Dome Light, RS	85612023
20	<b>BRACKET</b> , Dome Light, LS	85612022
21	<b>BOW</b> , Roof Cargo (2 Required)	85611020
22	<b>TAPE</b> , Roof Bow	85677001
23	<b>RIVET</b> , Pop, BR HD (Use with Item #19, 20) (5 Required/Each)	85780201
24	<b>SPACER</b> , Retractor Guide	85694049
25	<b>ANGLE</b> , Retractor Mount Plate	85694050
26	<b>MOUNT</b> , Seat Belt Retractor	85694048
27	<b>NUT</b> , Nylock, 1/4 - 20 (Use with Item #26) (3 Required)	85720704
28	<b>WASHER</b> , Flat, SST, 1/4" (Use with Item #26) (6 Required)	85761003
29	<b>RIVET</b> , AL, Flat Head, 3/16 x 1/2 (Use with Item #18 - 2 Required/Each; #24 - 2 Required)	1117438
30	<b>BOLT</b> , Hex Head, 1/4 - 20 x .750 (Use with Item #24) (3 Required)	85743007
31	<b>RADIUS BLOCK</b> , Shoulder Harness	85694034
32	<b>GUSSET</b> , Horizontal, Shoulder Harness	85694032
33	<b>RIVNUT</b> , Hex Steel, 10 32 x .010 / .085 (Use with Item #16) (6 Required)	85786010
34	<b>RIVNUT</b> , AL BR HD, 3/16 x 3/8 (Use with Item #5 - 2 Req'd; Item #9 - 12 Req'd; Item #12 - 10 Req'd; Item #14 - 2 Req'd/Each; Item #16 - 8 Req'd; Item #21 - 2 Req'd/Each)	1117353
35	<b>RIVET</b> , AL BR HD, 3/16 x 1/2 (Use with Item #12 - 4 Req'd; Item #32 - 2 Req'd)	1117357
36	<b>RIVET</b> , AL BR HD, 3/16 x 5/8 (8 Required) (Use with Item #12)	1117361
37	<b>RIVET</b> , AL BR HD, 3/16 x 5/16 (Use with Item #13 - 21 Required; Item #16 - 48 Required; Item #32 - 6 Required)	1117351

# BULKHEAD DOOR & TRACK

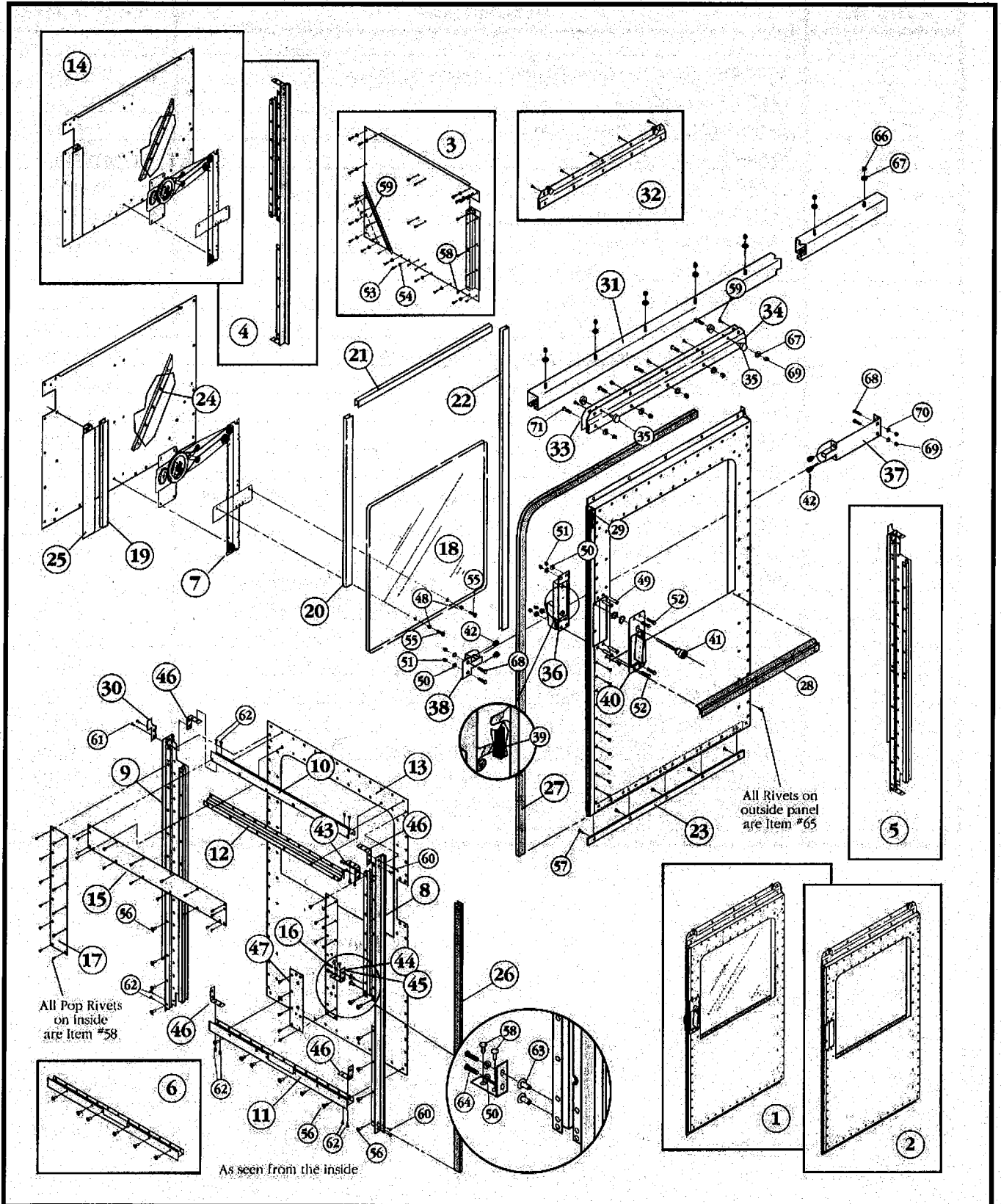


# BULKHEAD DOOR & TRACK

ILLUS. NO.	DESCRIPTION	PART NUMBER
1	<b>ASSEMBLY</b> , Bulkhead Door ( <i>Painted</i> ) ( <i>Includes Items #2, 3, 25</i> )	05601300
2	<b>PANEL</b> , Bulkhead Door	85601002
3	<b>EXTRUSION</b> , Lower Bulkhead Door	85601003
4	<b>STRIKER</b> , Bulkhead Door, RS	81693023
5	<b>STRIKER</b> , Bulkhead Door, LS	81693024
6	<b>LATCH</b> , Rotary, Bulkhead Door	85693025
7	<b>ANTI-RATTLE</b> , ( <i>4 Required</i> )	85679001
8	<b>GUIDE</b> , Bulkhead Door ( <i>Obsolete, Use Item #13</i> )	
9	<b>CYLINDER</b> , Bulkhead Door Lock	
	<b>Original Version</b> ( <i>Specify G#</i> )	Not Available
	<b>Revised Version</b> ( <i>Specify Code</i> ) ( <i>Includes Castings</i> )	Not Available
10	<b>SWITCH</b> , Bulkhead Door	85685001
11	<b>HANGER</b> , Bulkhead Door	85670001
12	<b>TRACK</b> , Bulkhead Door, Upper	85670302
13	<b>TRACK</b> , Bulkhead Door, Lower	85613073
14	<b>SCREW</b> , Torx, Flat Head, SST, 1/4 - 2 x 1.50 ( <i>Use with Item #13</i> ) ( <i>3 Required</i> )	85743201
15	<b>CASTING</b> , Bulkhead Handle	Not Available
16	<b>RETAINER</b> , Lock, Bulkhead	Not Available
17	<b>BOLT</b> , Hex Head, .250 - 20 x 1.00 ( <i>Use with Item # 4, 5</i> ) ( <i>2 Required/Each</i> )	85743005
18	<b>NUT</b> , Nylock, 1/4 - 20 ( <i>Use with Item #4, 5 - 2 Req'd/Each; Item #6 - 4 Req'd</i> )	85720704
19	<b>WASHER</b> , Flat, .25 ( <i>Use with Item #4, 5 - 2 Req'd/Each; Item #12 - 5 Req'd</i> )	85761003
20	<b>SCREW</b> , Pan Head, 10 - 24 x .50 ( <i>Use with Item #11</i> ) ( <i>6 Required</i> )	85743131
21	<b>NUT</b> , Hex Lock, 10 - 24 ( <i>Use with Item #11</i> ) ( <i>6 Required</i> )	85720714
22	<b>BOLT</b> , Carriage ( <i>Use with Item #6</i> ) ( <i>4 Required</i> )	85743451
23	<b>RIVET</b> , Pop, AL ( <i>Use with Item #7</i> ) ( <i>1 Required/Each</i> )	85780202
24	<b>NUT</b> , Nylock, 1/4 - 20, SST ( <i>Use with Item #12</i> ) ( <i>5 Required</i> )	85720703
25	<b>RIVET</b> , AL, BR HD, 3/16 x 3/8 ( <i>Use with Item #2, 3</i> ) ( <i>10 Required</i> )	1117353
NS	<b>TAPE</b> , Dielectric, Black, 1.5" x 100'	1118101



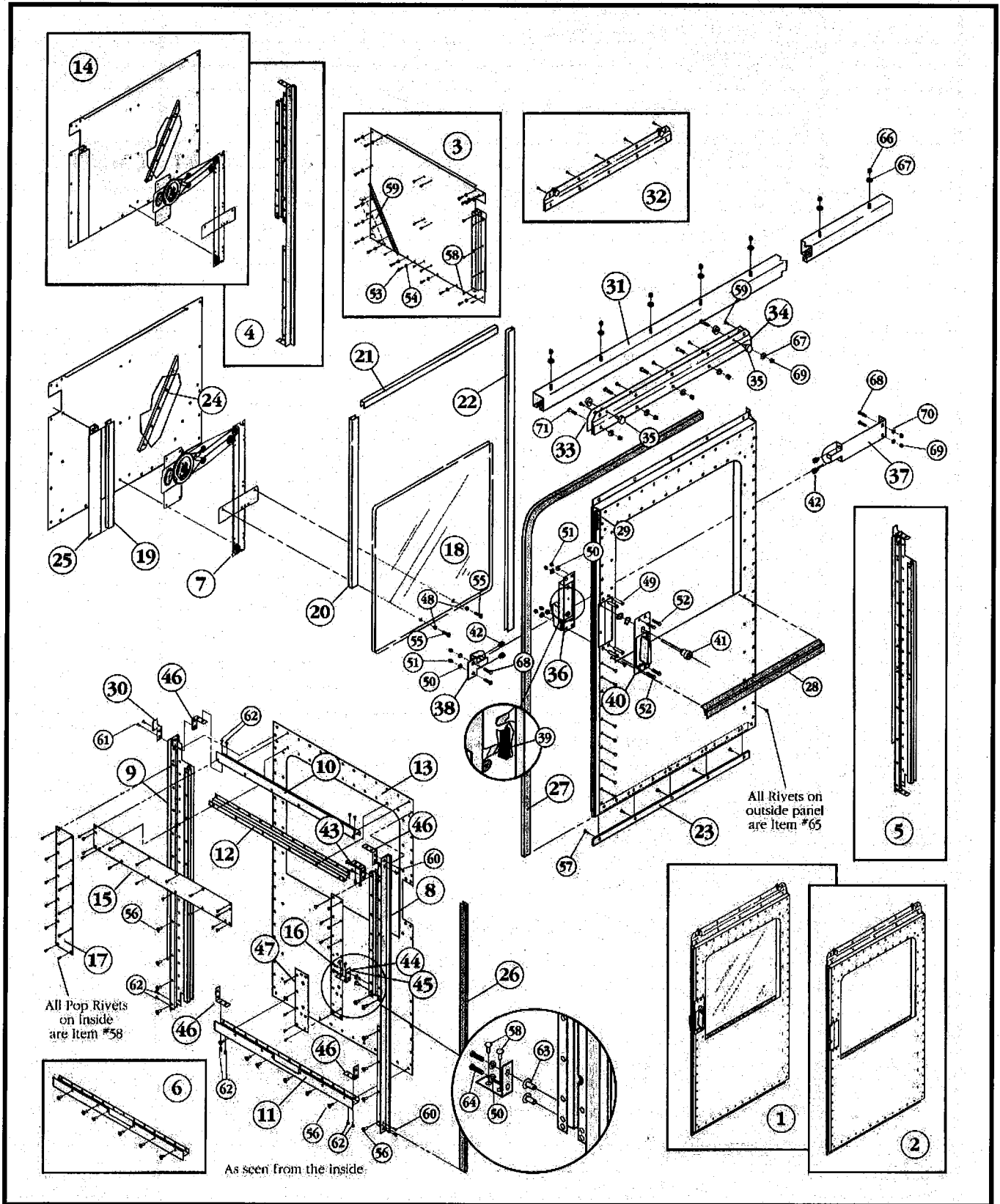
# SIDE DOORS



# SIDE DOORS

ILLUS. NO.	DESCRIPTION	PART NUMBER
1	<b>ASSEMBLY</b> , Door (Includes Items #2, 7, 14, 18, 19, 23, 25, 26, 28, 35, 36, 40, 50, 53, 54, 58, 63, 64) (Hanson Regulator)	
	RS, Complete	Obsolete
	LS, Complete	Obsolete
1	<b>ASSEMBLY</b> , Door (Includes #2, 18, 19, 23, 25, 26, 28, 35, 36, 40, 50, 53, 54, 58, 63, 64) (New Style Muncy Regulator)	
	RS, Complete	81600367
	LS, Complete	81600368
2	<b>ASSEMBLY</b> , Door (Includes Items #3-6, 10-13, 15-17, 20-23, 26, 32, 35, 43, 47, 50, 56-68, 62-65, 69)	
	RS, First Stage	81503301
	LS, First Stage	81503300
3	<b>SUB-ASSEMBLY</b> , Panel, Inside (Items #24, 25)	
	RS (Painted)	01603303
	LS (Painted)	01603302
<b>NS</b>	<b>KIT</b> , LOSS MAIL PREVENT KIT	81600393
4	<b>ASSEMBLY</b> , Door Frame (Includes Item #8, 46, 56, 60), Forward, RS	25603301
	<b>ASSEMBLY</b> , Door Frame (Includes Item #8, 46, 56, 60), Forward, LS	25603300
5	<b>ASSEMBLY</b> , Door Frame (Includes Item #9, 46, 56, 61, 62), Aft, RS	35603301
	<b>ASSEMBLY</b> , Door Frame (Includes Item #9, 46, 56, 61, 62), Aft, LS	35603300
6	<b>ASSEMBLY</b> , Door Frame (Includes Item #11, 56), Bottom, RS	45603301
	<b>ASSEMBLY</b> , Door Frame (Includes Item #11, 56), Bottom, LS	45603300
7	<b>ASSEMBLY</b> , MUNCY WINDOW REGULATOR, RS (ALSO SEE PAGE 82)	81600334
	<b>ASSEMBLY</b> , MUNCY WINDOW REGULATOR, LS (ALSO SEE PAGE 82)	81600333
<b>NS</b>	<b>KIT</b> , Hardware, MUNCY WINDOW REGULATOR	81600365
8	<b>FRAME</b> , Door, Forward, RS	85603002
8	<b>FRAME</b> , Door, Forward, LS	85603001
9	<b>FRAME</b> , Door, Aft, RS	85603004
9	<b>FRAME</b> , Door, Aft, LS	85603003
10	<b>FRAME</b> , Door, Top, RS	85603006
10	<b>FRAME</b> , Door, Top, LS	85603005
11	<b>FRAME</b> , Door, Bottom, RS	85603008
11	<b>FRAME</b> , Door, Bottom, LS	85603007
12	<b>FRAME</b> , Door, Window Top, RS	85603010
12	<b>FRAME</b> , Door, Window Top, LS	85603009
13	<b>PANEL</b> , Outer	85603011
14	<b>SUB-ASSEMBLY</b> , Panel, Inside (Includes Inside Panel, Items #24, 25) (New Style Muncy Regulator)	
	RS (painted)	81600369
	LS (painted)	81600370
<b>NS</b>	<b>KIT</b> , Side Door Regulator (Muncy) Conversion, (Includes Muncy Regulator Sub assembly, All Glass felt, Reinforcement Plate and Mail Loss Prevent Kit), R/S	81600597
<b>NS</b>	<b>KIT</b> , Side Door Regulator (Muncy) Conversion, (Includes Muncy Regulator Sub assembly, All Glass felt, Reinforcement Plate and Mail Loss Prevent Kit), L/S	81600598
15	<b>PANEL</b> , Inside, Upper	85603024
16	<b>PANEL</b> , Inside Upper, Forward	85603014
17	<b>PANEL</b> , Inside Upper, RR	85603015

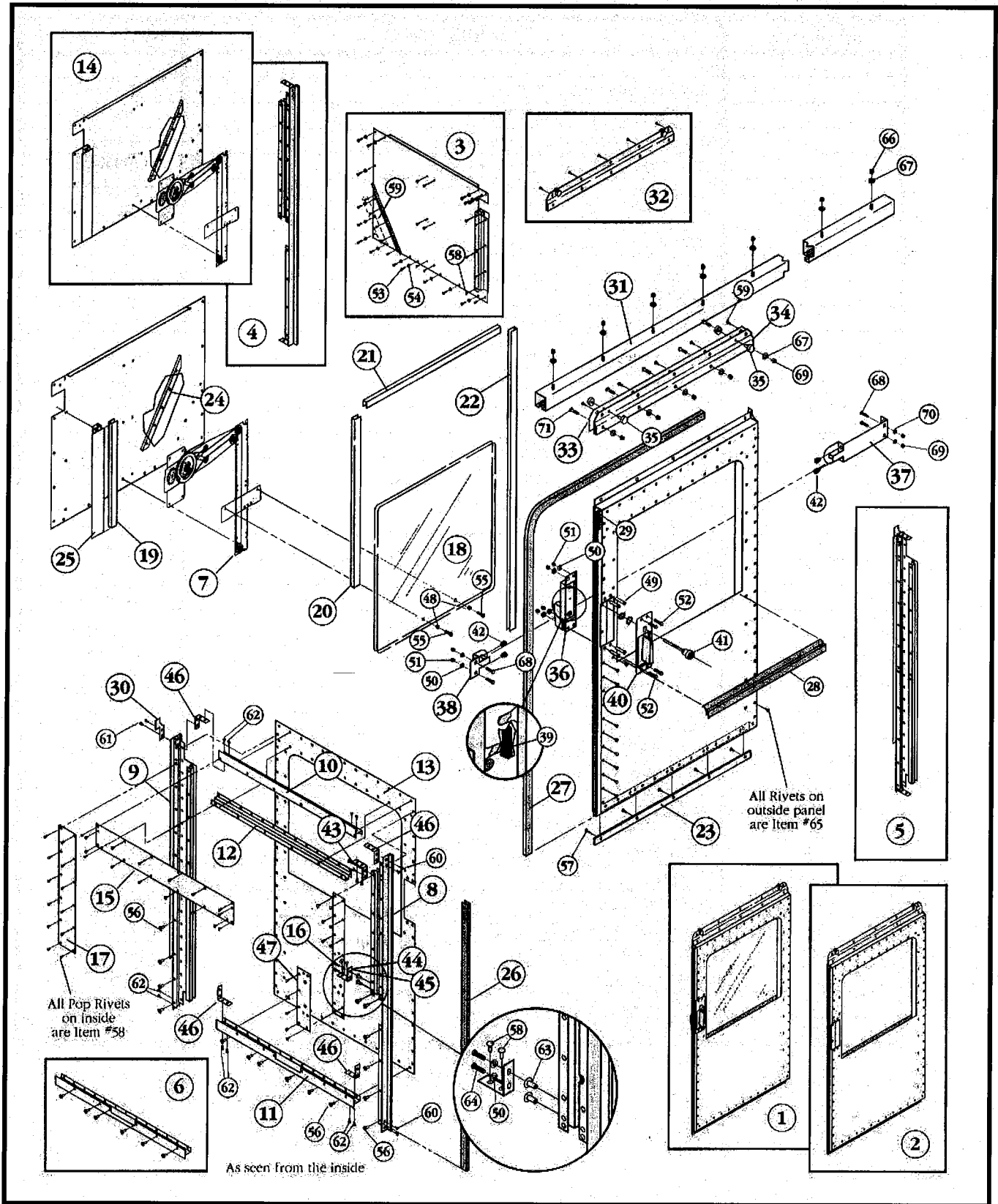
# SIDE DOORS



# SIDE DOORS

ILLUS. NO.	DESCRIPTION	PART NUMBER
18	GLASS, Side Door, RS & LS	85695003
19	CHANNEL, Glass Run, RS & LS	85688014
20	CHANNEL, Glass Run, Front, RS & LS	85688013
21	CHANNEL, Glass Run, Top, RS & LS	85688016
22	CHANNEL, Glass Run, Rear, RS & LS	85688015
23	STRIP, Wear, RS & LS	85603021
23	STRIP, Wear, Stainless Steel, RS & LS	81600338
24	ANGLE, Lower, Rear, RS	85603018
24	ANGLE, Lower, Rear, LS	85603017
25	RETAINER, Glass Run, Channel, RS	85603023
25	RETAINER, Glass Run, Channel, LS	85603022
26	SEAL, Door, Front, RS & LS	85603029
27	SEAL, A-Post, RS, 98"	85684033
27	SEAL, A-Post, LS, 101"	85684034
28	SEAL, Window Sill Edge, RS & LS	85688021
29	SEAL, Side Door Corner, RS & LS	85603032
30	SEAL, Flange Extension, RR, RS	85603020
30	SEAL, Flange Extension, RR, LS	85603019
31	ASSEMBLY, Track, Side Door, Upper RS & LS	85670301
32	ASSEMBLY, (Includes Item #33, 34, 59)	
	Hanger, RS/LS, (Will work for both sides)	81600050
	Hanger, LS/RS, (Will work for both sides)	81600049
	Hanger, Four Roller, RS	81600589
	Hanger, Four Roller, LS	81600588
33	PLATE, Hanger, Inner	85670008
34	PLATE, Hanger, Outer	85670007
35	ROLLER, Set Only, RS & LS	85670006
36	LATCH, Rotary, RS	85693045
36	LATCH, Rotary, LS	85693044
37	STRIKER, Rear, RS & LS	81693030
38	STRIKER, Front, RS & LS	81693029
39	SPRING, Rotary, Latch	81600153
NS	KIT, Rotary Latch Spring (Includes Tool and 10 - Item #39)	Not Available
40	HANDLE, Outside, RS & LS	85693053
41	CYLINDER, Lock, RS & LS	Not Available
42	BUMPER, Striker	81600152
43	CLIP, Angle, Upper	85603041
44	CLIP, Angle, Lower	85603042

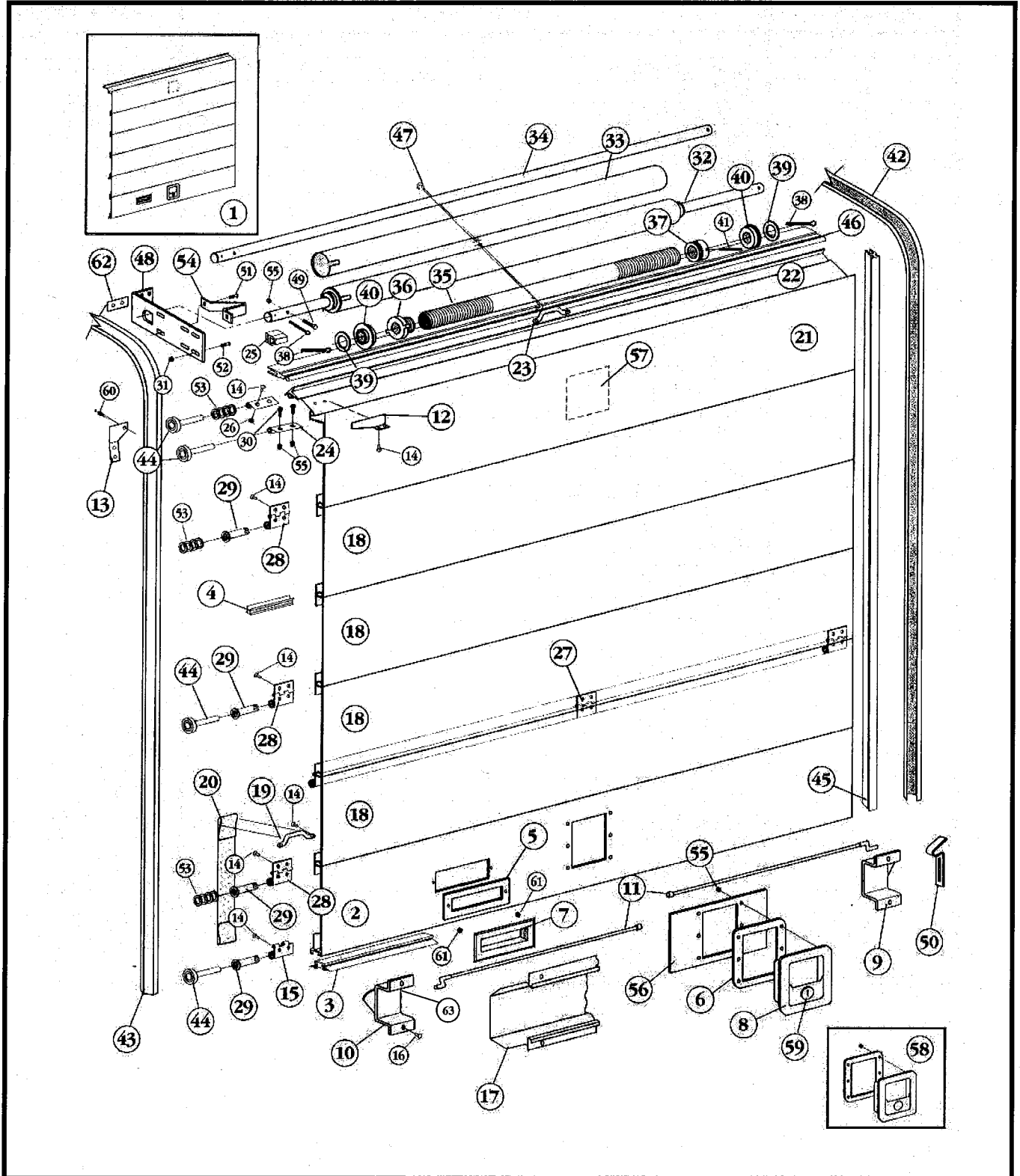
# SIDE DOORS



# SIDE DOORS

ILLUS. NO.	DESCRIPTION	PART NUMBER
45	CLIP, Door (Painted)	05603042
46	CLIP, Angle	85603026
47	PLATE, Doubler	85603030
48	BUSHING, Flanged through Glass	85793002
49	BUSHING	85603031
50	WASHER, Lock, 1/4	85761300
51	NUT, Acorn, 1/4 - 20	85720500
52	BOLT, Carriage, 1/4 - 20 x 2.12	85743402
53	SCREW, Torx	85743151
54	WASHER, Lock, #10	85761202
55	SCREW, Flat Head, 1/4 x 5/8	85743170
56	RIVNUT, Hex, 10/32 x .010/.0080	85786302
57	RIVET, Flat Head 1/8 x 3/8	85780100
58	RIVET, Magna Lock	85780222
59	RIVET, AL, BR HD, 3/16 x 5/16	1117351
60	RIVET, Flat Head, 3/16 x 3/8	1117434
61	RIVET, AL, BR HD, 3/16 x 1/2	1117357
62	RIVET, AL, BR HD, 3/16 x 7/16	1117355
63	RIVNUT, Hex 1/4 - 20 x .20/.085	85786013
64	SCREW, Pan Head, 1/4 - 20 x .625	85743112
65	RIVET, AL, BR HD, 3/16 x 3/8	1117353
66	NUT, Nylock, SST, 1/4 - 20	85720703
67	WASHER, Flat, 1/4	85761003
68	BOLT, Hex Head, 1/4 - 20 x 3/4	85743024
69	NUT, Nylock, 1/4 - 20	85720704
70	WASHER, Flat, SST, 1/4"	85761008
71	SCREW, Pan Head, 1/4 - 20 x 5/8	1117857
NS	<b>DOOR REPAIR KIT</b>	
	Door Reinforcement Plate, RS	81600382
	Door Reinforcement Plate, LS	Same as RS
	Kit, RS	81600384
	Kit, LS	Same as RS
	Screw (Quantity 6)	85743151
	Screw (Quantity 2)	85743152
NS	<b>COSMOLUBE</b>	81600086
NS	KIT, Door, Retrofit, Clips	81600089
NS	KIT, Door, Retrofit, Sleeves	81600090
NS	SLEEVE, Retrofit	81603040
NS	LOCK, Black Window RS	85603037
NS	LOCK, Black Window LS	85603036
NS	BOLT, Carriage, 1/4 - 20	81743403

# REAR DOOR

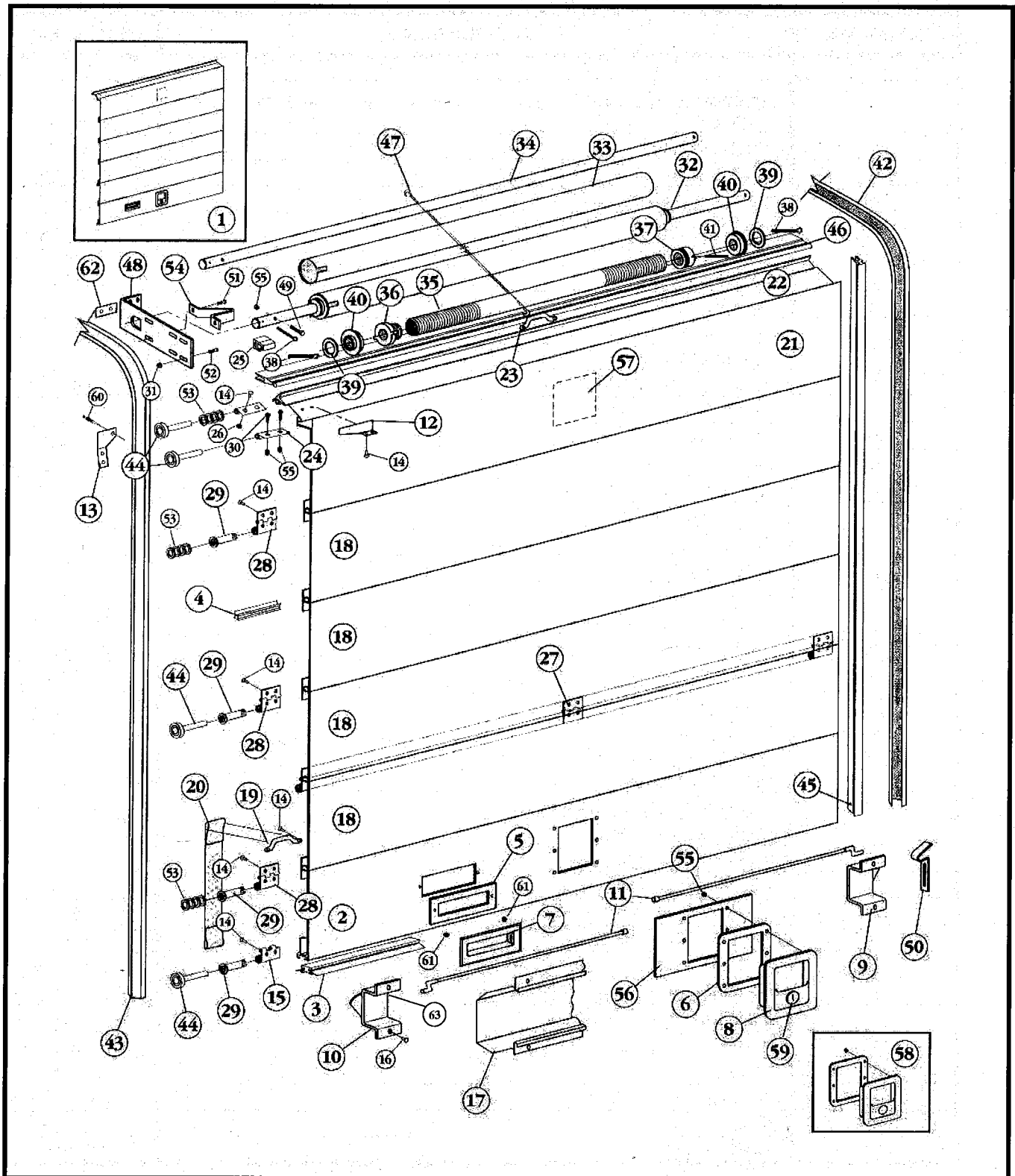


# REAR DOOR

ILLUS. NO.	DESCRIPTION	PART NUMBER
1	<b>ASSEMBLY</b> , Rear Door, Complete ( <i>Includes Items #2-11, 14-16, 18-24, 27-31, 55-57, 61</i> )	85692064
2	<b>PANEL</b> , Bottom	81692016
3	<b>SEAL</b> , Bottom	81692009
4	<b>SEAL</b> , Joint ( <i>5 Required</i> )	81692017
5	<b>SEAL</b> , Handle, Lift	81692018
6	<b>SEAL</b> , Handle, Lock	81692037
7	<b>HANDLE</b> , Lift	81692020
8	<b>HANDLE</b> , Lock	
	<b>Original Version</b>	<b>Obsolete</b>
	<b>Revised Version</b>	81692065
9	<b>ASSEMBLY</b> , End Latch, RS	81692023
10	<b>ASSEMBLY</b> , End Latch, LS	81692022
11	<b>ASSEMBLY</b> , Cable, Lock ( <i>2 Required</i> )	81692024
12	<b>STRIKER</b> , Switch	81692025
13	<b>BRACKET</b> , Switch, Rear Door	85692015
14	<b>RIVET</b> ( <i>4 Required</i> )	81692026
15	<b>HOLDER</b> , Bottom Roller ( <i>2 Required</i> )	81692027
16	<b>RIVET</b> ( <i>4 Required</i> )	81692028
17	<b>COVER</b> , Lock	81692029
17	<b>COVER</b> , Lock, Aluminum	81600313
18	<b>PANEL</b> , Interior ( <i>4 Required</i> )	81692030
19	<b>RETAINER</b> , Pull Strap ( <i>2 Required</i> )	81692031
20	<b>STRAP</b> , Pull	81692032
21	<b>PANEL</b> , Top	81692033
22	<b>PANEL</b> , Lift	81692034
23	<b>BRACKET</b> , Cable Attachment	81692035
24	<b>HOLDER</b> , Top Roller ( <i>4 Required</i> )	81692036
25	<b>BUMPER</b> , Door ( <i>2 Required</i> )	81692019
26	<b>WASHER</b> , Flat ( <i>4 Required</i> )	81692038
27	<b>HINGE</b> , Center ( <i>5 Required</i> )	81692039
28	<b>HINGE</b> , End ( <i>10 Required</i> )	81692040
29	<b>TUBE</b> , Hinge ( <i>12 Required</i> )	81692011
30	<b>SCREW</b> , Weld ( <i>4 Required</i> )	81692041
31	<b>NUT</b> , Flanged ( <i>6 Required</i> )	81692042
32	<b>ASSEMBLY</b> , Counterbalance	81692005
33	<b>TUBE</b>	81692043
34	<b>SHAFT</b>	81692044
35	<b>SPRING</b>	81692045
36	<b>PLUG</b>	81692046
37	<b>PLUG</b> , Anchor	81692047



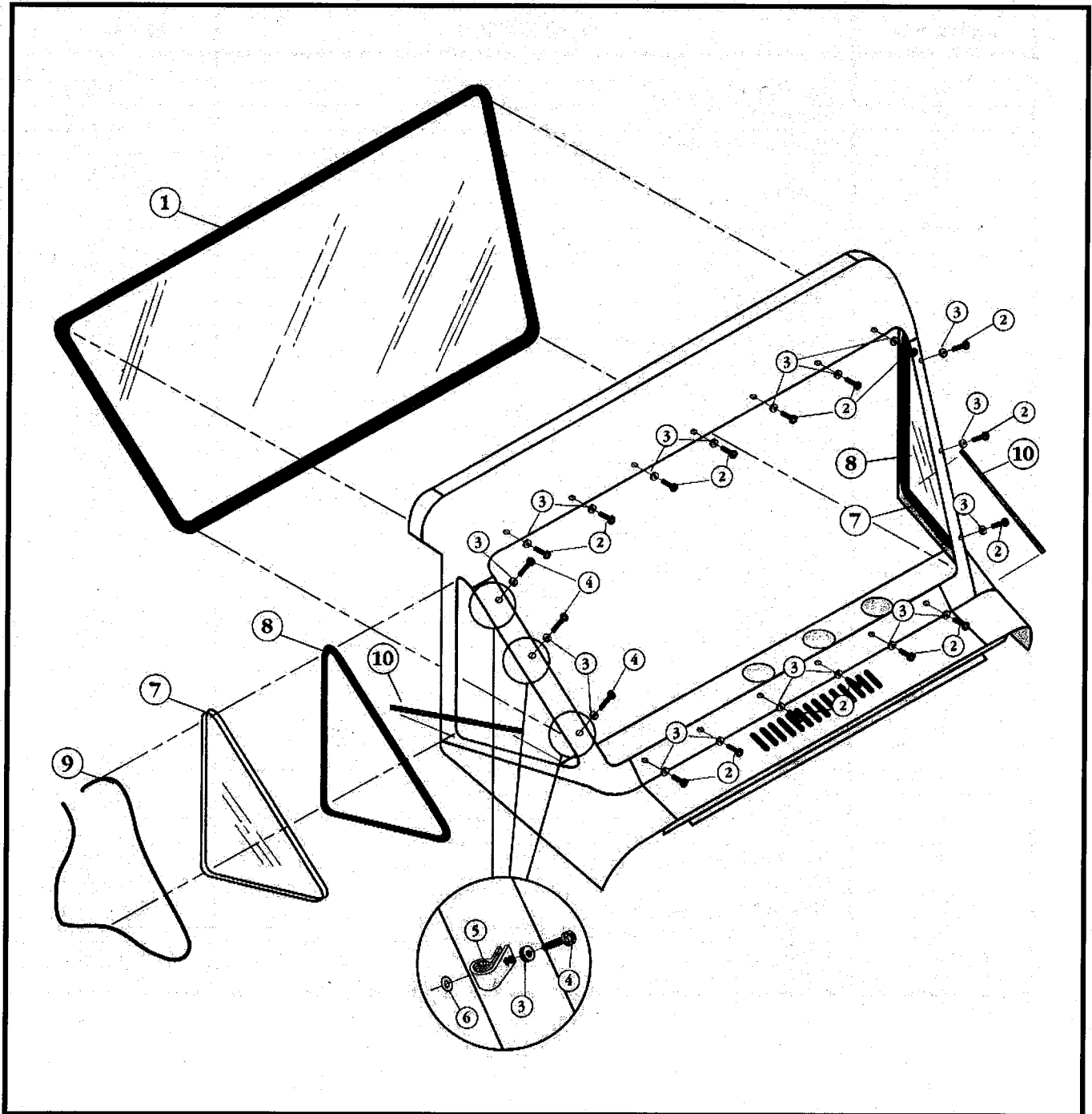
# REAR DOOR



# REAR DOOR

ILLUS. NO.	DESCRIPTION	PART NUMBER
38	<b>PIN</b> , Cotter (4 Required)	81692048
39	<b>WASHER</b> (2 Required)	81692049
40	<b>BEARING</b> (2 Required)	81692050
41	<b>PIN</b> , Drive	81692051
42	<b>TRACK</b> , RS	81692003
43	<b>TRACK</b> , LS	81692004
44	<b>ROLLER</b> (16 Required)	81692052
45	<b>SEAL</b> , Side, 51 - 1/2" (2 Required)	81692008
46	<b>SEAL</b> , Header - 53"	81692007
47	<b>CABLE</b> , Counterbalance	81692053
48	<b>BRACKET</b> , Counterbalance (2 Required)	81692054
49	<b>BOLT</b> , Hex Head, 1/4 x 1-1/2	81692055
50	<b>CATCH</b> , Lock (2 Required)	81692056
51	<b>BOLT</b> , Hex Head, 1/4 x 3/4 (4 Required)	85743007
52	<b>SCREW</b> , Button Head Socket (2 Required)	81692057
53	<b>WASHERS</b> , Spacer (18 Required)	81692058
54	<b>BRACKET</b> , Bumper (2 Required)	81692059
55	<b>NUT</b> , Lock (6 Required)	1117310
56	<b>REINFORCEMENT</b> , Handle	81600187
57	<b>STICKER</b> , Safety Notice	81600188
58	<b>KIT</b> , Lock Paddle Handle (Includes Item #6, 8, 55)	
	<b>Original Version</b>	81692065
	<b>Revised Version</b>	81600221
59	<b>CYLINDER</b> , Lock, Rear Door	
	<b>Original Version (Specify G#)</b>	<b>Not Available</b>
	<b>Revised Version (Specify Code)</b>	<b>Not Available</b>
<b>NS</b>	<b>REPAIR COMPONENTS FOR REAR DOOR LOCK CYLINDER</b>	
	<b>Gasket</b>	81600361
	<b>Clip</b>	81600362
	<b>Push Nut</b>	81600363
	<b>Cam</b>	81600364
60	<b>SWITCH</b> , Rear Door	85685001
61	<b>NUT</b> , Lock	81600009
62	<b>SPACER</b> , Rear Door Track	85692100
63	<b>SPRING</b> , Rear Door (Use with Item #9, 10)	81600256
<b>NS</b>	<b>LUBE</b> , Todco	81600060
<b>NS</b>	<b>LUBE</b> , Todco Kit, Liquid Form	81600301

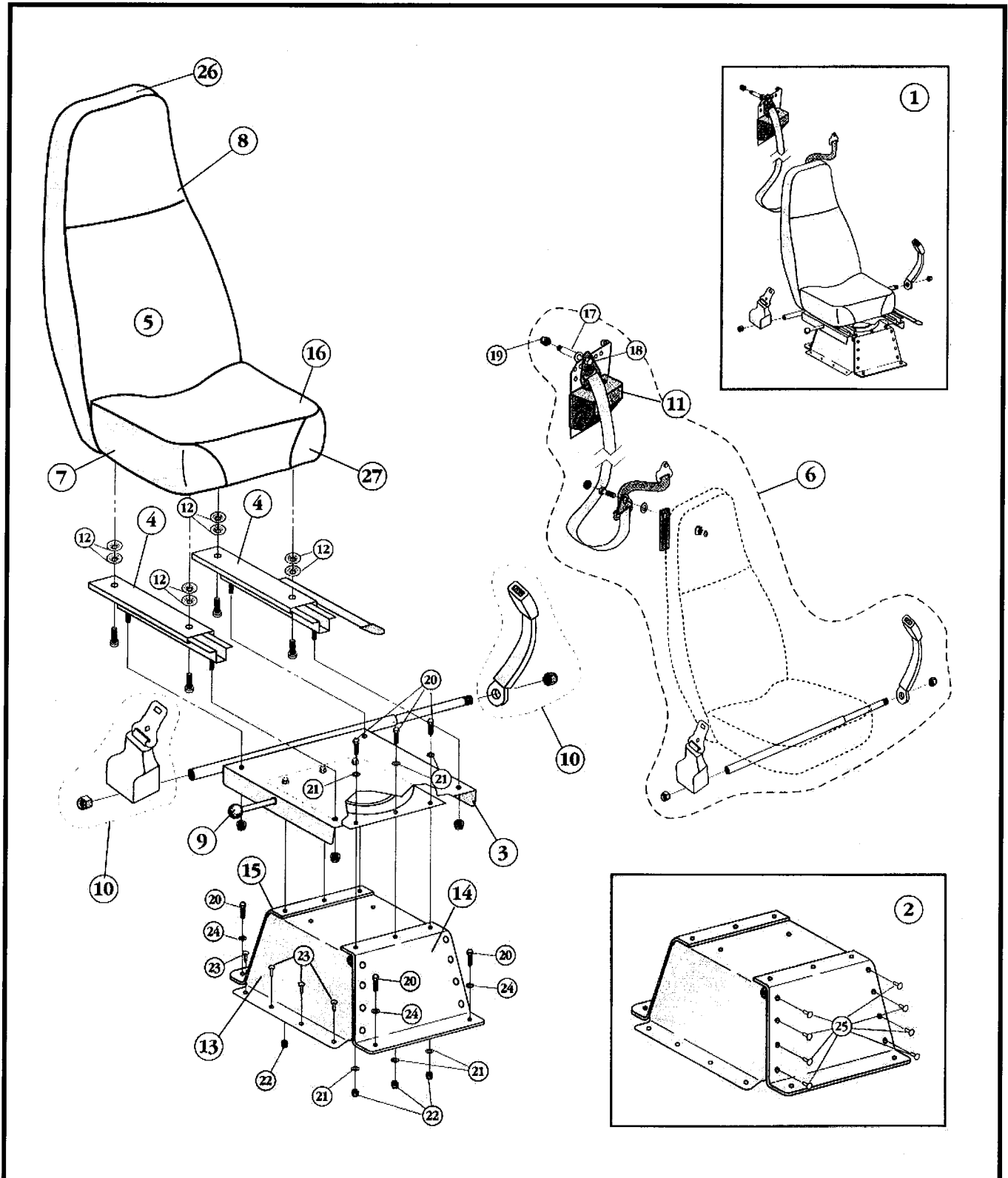
# WINDSHIELD & SIDE WINDSHIELDS



# WINDSHIELD & SIDE WINDSHIELDS

ILLUS. NO.	DESCRIPTION	PART NUMBER
1	<b>GLASS</b> , Windshield, Encapsulated Kit <i>(Includes 2 thru 6 with Caulking)</i>	21617200
2	<b>SCREW</b> , Torx Head, 10 x 24 x .50 <i>(16 Required)</i>	85743117
3	<b>WASHER</b> , Bonded <i>(19 Required)</i>	85761250
4	<b>SCREW</b> , Torx Head, 10 x 24 x 1.125 <i>(3 Required)</i>	85743130
5	<b>CLAMP</b> , Cable, 5/8 <i>(3 Required)</i>	85793104
6	<b>PUSHNUT</b> , Bolt Retainer <i>(3 Required)</i>	85720202
7	<b>GLASS</b> , Side Windshields <i>(2 Required)</i>	85695007
8	<b>HARNESS</b> , Side Windshield <i>(1 Required per Glass)</i>	85695005
9	<b>ZIPPER</b> , Harness <i>(5 ft. Required per Glass)</i>	85695008
10	<b>SEAL</b> , Dash	85603046
NS	<b>ADHESIVE SEALANT</b> CHEMREX CX-26 STD WHT	41002032
NS	<b>WINDSHIELDS</b>	
	Crate of 10 <i>(10 Fastener Kits Required)</i>	81600162
	Crate of 15 <i>(15 Fastener Kits Required)</i>	<b>Obsolete</b>
	Crate of 30 <i>(30 Fastener Kits Required)</i>	<b>Obsolete</b>
NS	<b>FASTENER KIT</b> <i>(Includes Item #2, 3, 4, 5, 6 with Caulking)</i>	81600130
NS	<b>TOOL</b> , Zipper, 7/16" Eye	81600154
NS	<b>WASHER</b> , Bonded <i>(Package of 500)</i>	85761250
NS	<b>PRIMER</b> , Sika Flex	<b>Obsolete</b>

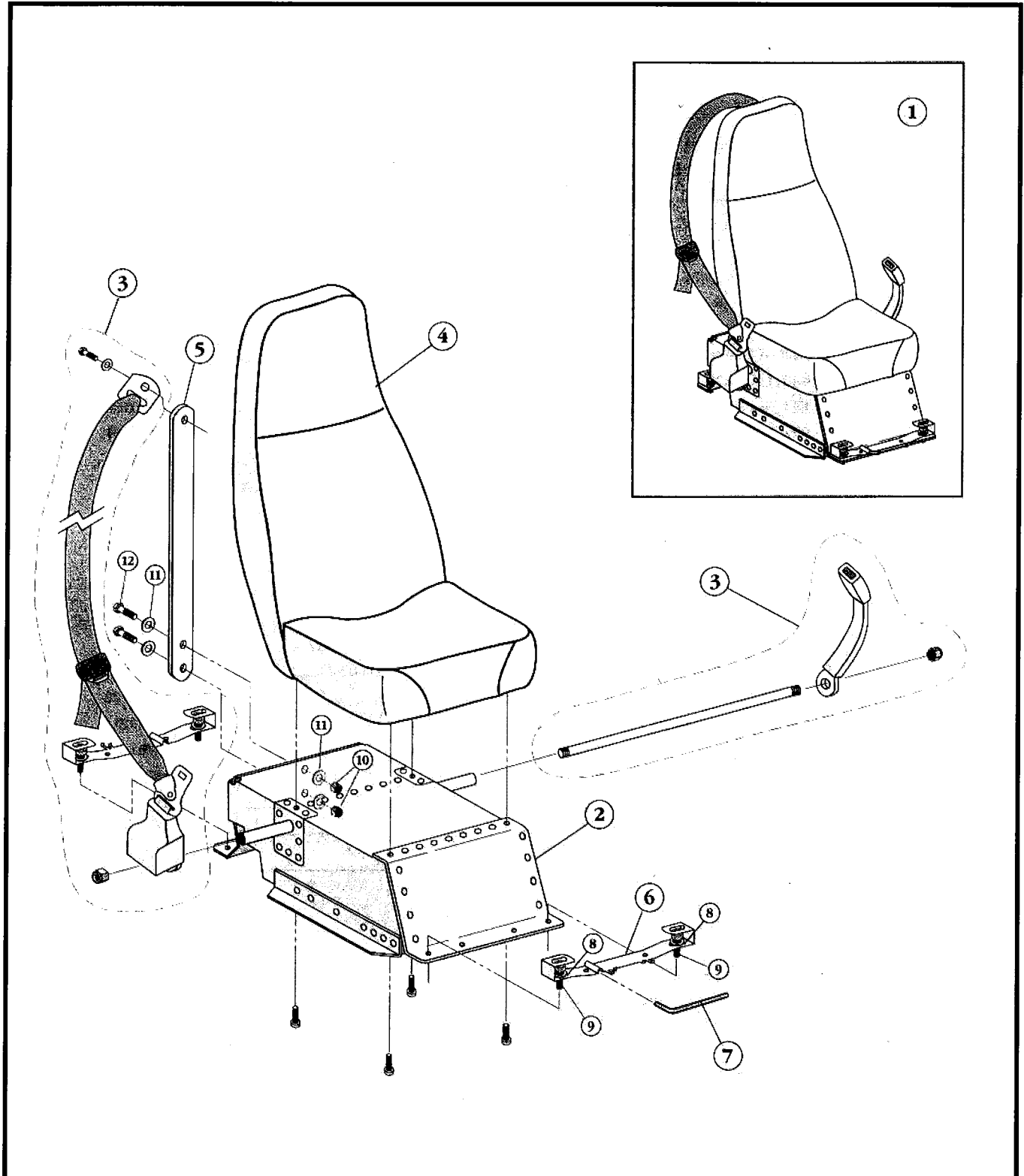
# DRIVER'S SEAT, ADJUSTER & BELTS



# DRIVER'S SEAT, ADJUSTER & BELTS

ILLUS. NO.	DESCRIPTION	PART NUMBER
1	<b>ASSEMBLY</b> , Driver Seat and Support <i>(Includes Item #2, 5, 6, 20, 21, 22)</i>	15694200
2	<b>ASSEMBLY</b> , Seat Box, Driver <i>(Painted) (Includes Item #13, 14, 15, 25)</i>	5694304
3	<b>SWIVEL</b> , Seat	81694002
4	<b>SLIDE</b> , Seat <i>(Set)</i>	81669001
5	<b>SEAT</b> , Driver	81694001
6	<b>ASSEMBLY</b> , Seat Belt, Driver	005667202
7	<b>COVER</b> , Seat, Cushion	81600062
8	<b>COVER</b> , Seat, Back	81600061
9	<b>KNOB</b> , Swivel Seat	81600059
10	<b>KIT</b> , Lap Belt	81600129
11	<b>KIT</b> , Shoulder Belt <i>(Includes new redesign # 17 &amp; #18)</i>	005667201
	<b>KIT</b> , Seatbelt <i>(Includes Item #10, 11 and rod), (Includes new redesign # 17 &amp; #18)</i>	005667202
12	<b>SPACER</b> , Seat, Atwood	85694007
13	<b>PANEL</b> , Side, Driver Seat Box	85694010
14	<b>ZEE</b> , Driver Seat, Forward	85694051
15	<b>ZEE</b> , Driver Seat, Aft	85694052
16	<b>FOAM</b> , Seat Bottom	81600166
17	<b>BUSHING</b> , Steel " SEE KIT BELOW "	Not available separate ATT
18	<b>BOLT</b> , Hex Head, 7/16 - 14 x 3 <i>(Use with Item #6)</i> " SEE KIT BELOW "	Not available separate ATT
	Kit, NEW REDESIGN Item # 17 & # 18	005667200
19	<b>NUT</b> , Nylock <i>(Use with Item #6)</i>	85720711
20	<b>BOLT</b> , Hex Head, 5/16 - 18 x 1.25 <i>(Use with Item #3) (12 Required)</i>	85743010
21	<b>WASHER</b> , Flat, Narrow, 5/16" <i>(Use with Item #3) (12 Required)</i>	85761005
22	<b>NUT</b> , Nylock <i>(Use with Item #3) (6 Required)</i>	85720705
23	<b>RIVETS</b> , Huck, Magna Lock <i>(8 Required)</i>	85780221
24	<b>WASHER</b> , Lock Helical Spring, 5/16" <i>(Use with Item #2) (6 Required)</i>	85761103
25	<b>RIVET</b> , AL BR HD, 3/16 x 5/8	1117361
26	<b>FOAM</b> , Moulded Back	81600204
27	<b>SPRING</b> , Cushion Seat	81600205

# PASSENGER/OBSERVER SEAT & BELTS

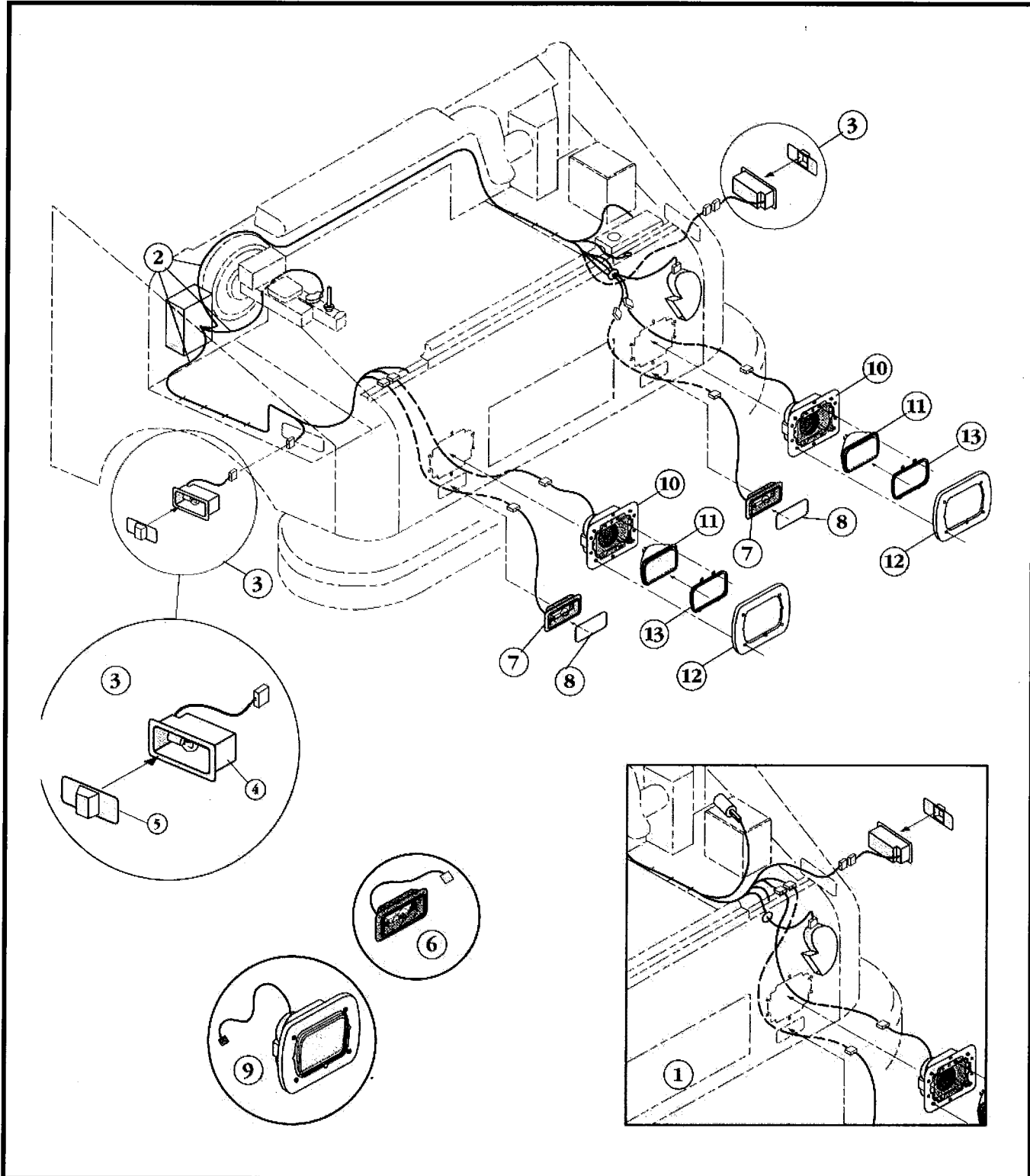


# PASSENGER/OBSERVER SEAT & BELTS

ILLUS. NO.	DESCRIPTION	PART NUMBER
1	<b>ASSEMBLY</b> , Seat, Passenger <i>(Includes Items #2 thru 12)</i>	15694201
2	<b>ASSEMBLY</b> , Seat Box, Passenger/Observer <i>(Painted)</i>	05694302
3	<b>ASSEMBLY</b> , Seat Belt, Single Shoulder	90694056
4	<b>SEAT</b> , Passenger	85694005
5	<b>STRAP</b> , Tension, Passenger/Observer Seat	05694020
6	<b>RETAINER</b> , Seat Bolt <i>(2 Required)</i>	85694027
7	<b>KEY</b> , Hex, Passenger/Observer Seat	85694037
8	<b>WASHER</b> , Lock Spring 5/16 <i>(Use with Item #6) (2 Required/Each)</i>	85761103
9	<b>SCREW</b> , Socket Head Cap, 5/16 - 18 x 1.25 <i>(Use with Item #6) (2 Required/Each)</i>	85743601
10	<b>NUT</b> , Hex Locking <i>(2 Required)</i>	85720711
11	<b>WASHER</b> , Flat <i>(Use with Item #5) (4 Required)</i>	85761009
12	<b>BOLT</b> , Hex Head <i>(2 Required)</i>	85743021



# FRONT BODY WIRING HARNESS & LIGHTS



# FRONT BODY WIRING HARNES & LIGHTS

ILLUS. NO.	DESCRIPTION	PART NUMBER
1	<b>HARNES</b> , Front Body, Wiring	85685041
2	<b>HARNES</b> , Front Body, Wiring, 2.2 Version	85685041
3	<b>ASSEMBLY</b> , Lamp, Front, Side, Turn/Park <i>(Includes Item 4, 5) (2 Required)</i>	85690302
4	<b>BODY</b> , Lamp, Front Side, Turn/Park <i>(Includes Bulb) (2 Required)</i>	<b>Obsolete</b>
5	<b>LENS</b> , Lamp, Front Side, Turn/Park <i>(2 Required)</i>	81690008
6	<b>ASSEMBLY</b> , Lamp, Front, Turn/Park <i>(Includes Item #7, 8) (2 Required)</i>	85690301
7	<b>BODY</b> , Lamp, Front, Turn/Park <i>(Includes Bulb) (2 Required)</i>	<b>Obsolete</b>
8	<b>LENS</b> , Lamp, Front, Turn/Park <i>(2 Required)</i>	81690006
9	<b>ASSEMBLY</b> , Headlamp <i>(Includes Item #10 thru 13)</i>	85690300
10	<b>BASE</b> , Headlamp <i>(2 Required)</i>	81690003
11	<b>BULB</b> , Headlamp <i>(2 Required)</i>	81690001
12	<b>BEZEL</b> , Headlamp <i>(Includes Screws) (2 Required)</i>	81690002
13	<b>RETAINER</b> , Headlamp <i>(Includes Screws) (2 Required)</i>	81690004
<b>NS</b>	<b>TAPE</b> , PVC Foam	85678003
<b>NS</b>	<b>CLIP</b> , Roof Rail Harness	81600599
<b>NS</b>	<b>LED</b> , Yellow <b>LED</b> Front Turn <i>(Replaces #6) (*See note)</i>	81600402

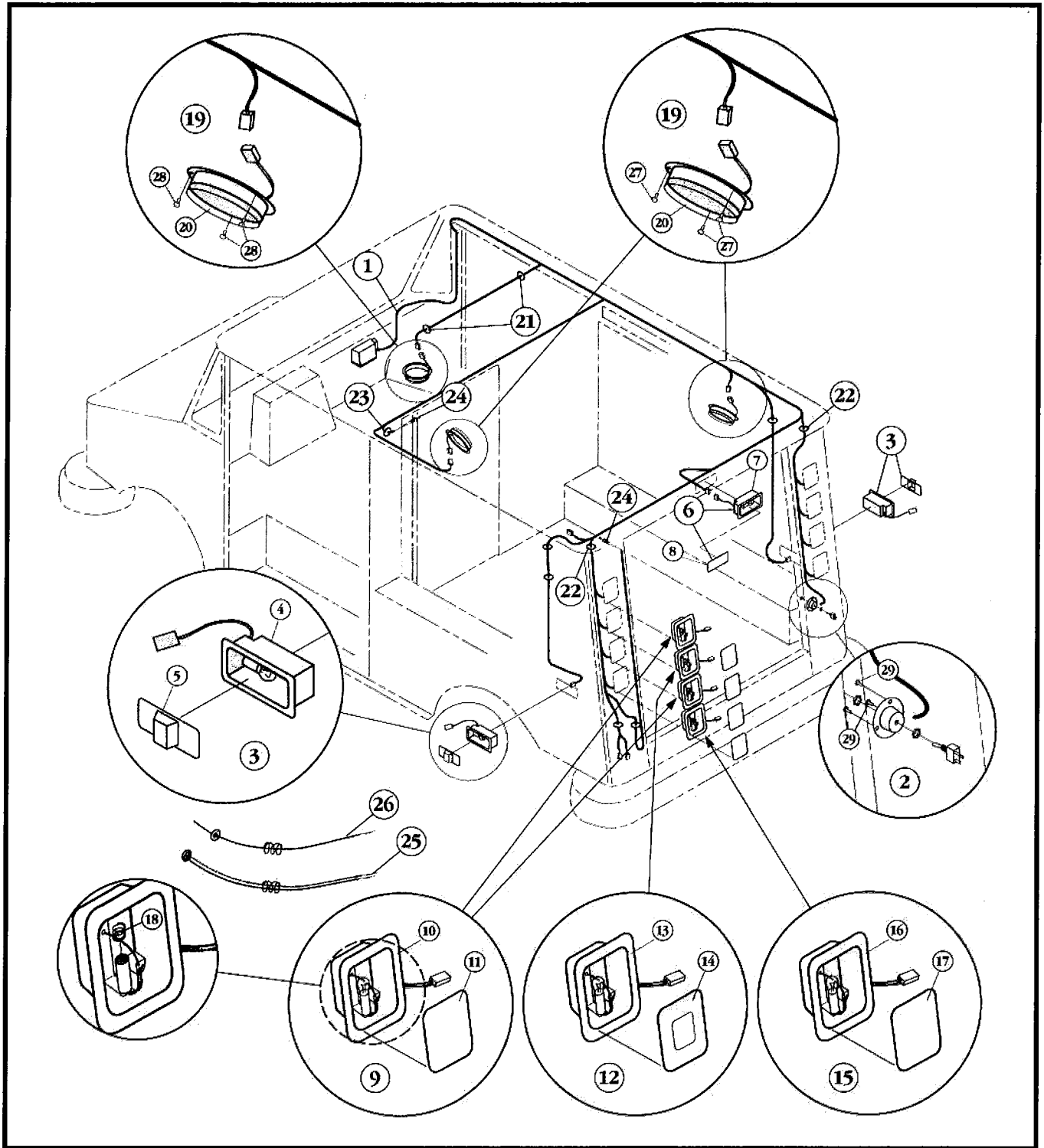
\* LED lights may require Flasher #81600401

# NOTES

# LAMP ASSEMBLES

ILLUS. NO.	DESCRIPTION	PART NUMBER
NS	<b>FRONT, Yellow, Park/Turn (2 Required)</b>	81600291
	<i>Lamp Only</i>	81600398
	<i>Grommet Only</i>	81600399
	<i>Plug Only</i>	81600400
NS	<b>FRONT, Yellow, Side Marker, (2 Required)</b>	81600292
	<i>Lamp Only</i>	81600409
	<i>Grommet Only</i>	81600399
	<i>Plug Only</i>	81600410
NS	<b>REAR, Red, Side Marker, (2 Required)</b>	81600293
	<i>Lamp Only</i>	81600420
	<i>Grommet Only</i>	81600399
	<i>Plug Only</i>	81600411
NS	<b>REAR, Center, High, Stop Lamp, (1 Required)</b>	81600294
	<i>Lamp Only</i>	81600412
	<i>Grommet Only</i>	81600399
	<i>Plug Only</i>	81600413
NS	<b>REAR, Yellow, Turn/Hazard, (4 Required)</b>	81600295
	<i>Lamp Only</i>	81600414
	<i>Grommet Only</i>	81600415
	<i>Plug Only</i>	81600416
NS	<b>CLEAR, Back-Up, (2 Required)</b>	81600296
	<i>Lamp Only</i>	81600417
	<i>Grommet Only</i>	81600415
	<i>Plug Only</i>	81600416
NS	<b>REAR, Stop/Tail, (2 Required)</b>	81600297
	<i>Lamp Only</i>	81600418
	<i>Grommet Only</i>	81600415
	<i>Plug Only</i>	81600419

# REAR BODY WIRING HARNESS, LIGHTS, & SWITCHES

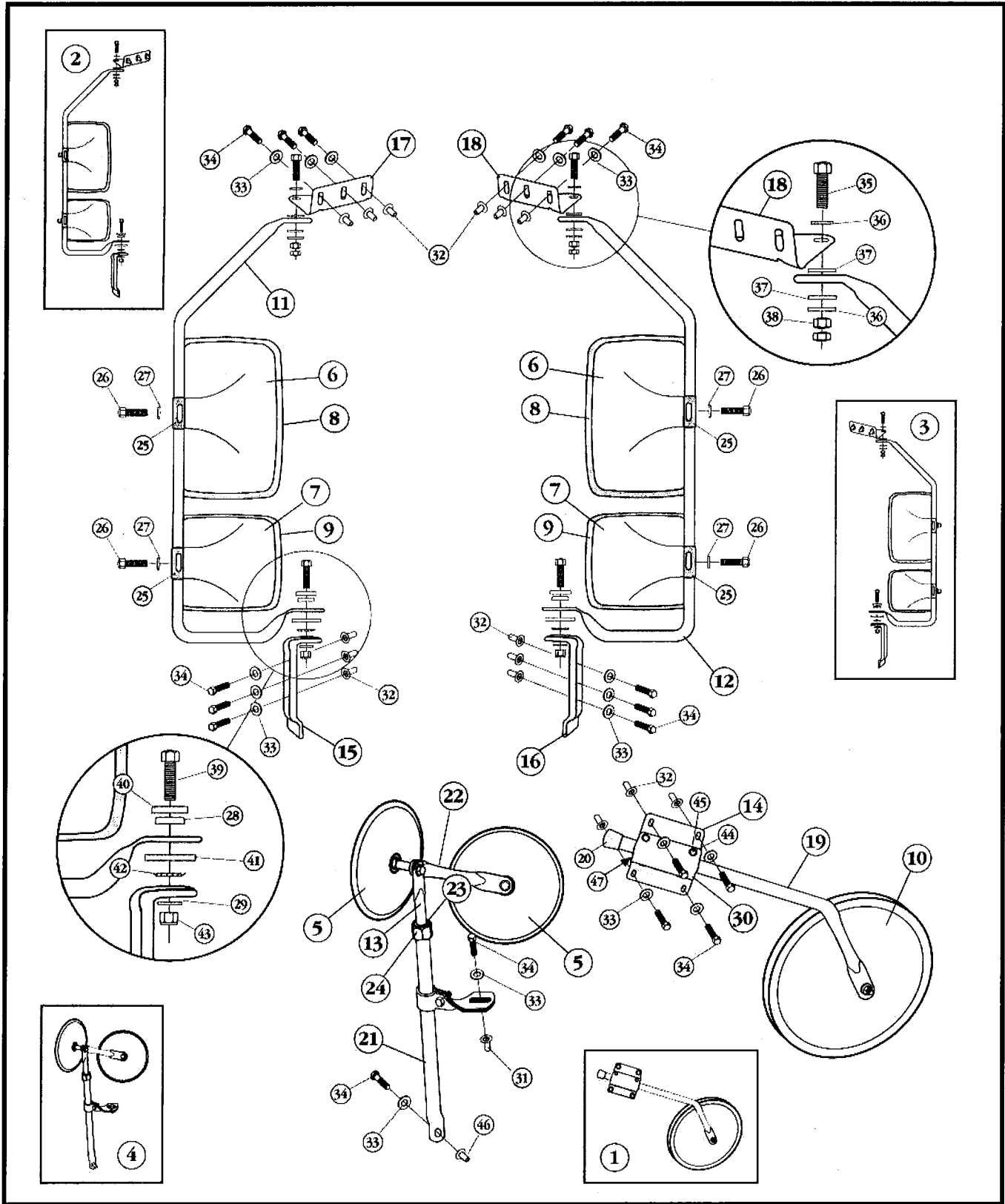


# REAR BODY WIRING HARNESS, LIGHTS, & SWITCHES

ILLUS. NO.	DESCRIPTION	PART NUMBER
1	<b>HARNESS</b> , Rear Body, Wiring	85685004
2	<b>SWITCH</b> , Load Compartment	85685022
3	<b>ASSEMBLY</b> , Lamp, Side Marker, Rear <i>(Includes Item #4, 5) (2 Required)</i>	85690303
4	<b>BODY</b> , Lamp, Side Marker, Rear <i>(Includes Bulb) (2 Required)</i>	<b>Obsolete</b>
5	<b>LENS</b> , Lamp, Side Marker, Rear <i>(2 Required)</i>	81690010
6	<b>ASSEMBLY</b> , Center High, Stop Light	85690304
7	<b>BODY</b> , Center High, Stop Light <i>(Includes Bulb)</i>	<b>Obsolete</b>
8	<b>LENS</b> , Center High, Stop Light	81690012
9	<b>ASSEMBLY</b> , Lamp, Hazard <i>(4 Required)</i>	85690305
10	<b>BODY</b> , Lamp, Hazard <i>(Includes Bulb) (4 Required)</i>	<b>Obsolete</b>
11	<b>LENS</b> , Lamp, Hazard <i>(4 Required)</i>	81690014
12	<b>ASSEMBLY</b> , Lamp, Back-Up <i>(2 Required)</i>	85690306
13	<b>BODY</b> , Lamp, Back-Up <i>(Includes Bulb) (2 Required)</i>	<b>Obsolete</b>
14	<b>LENS</b> , Lamp, Back-Up <i>(2 Required)</i>	81900015
15	<b>ASSEMBLY</b> , Lamp, Rear Stop/Tail <i>(2 Required)</i>	85690307
16	<b>BODY</b> , Lamp, Rear Stop/Tail <i>(Includes Bulb) (2 Required)</i>	<b>Obsolete</b>
17	<b>LENS</b> , Lamp, Rear Stop/Tail <i>(2 Required)</i>	81690017
18	<b>SPRING</b> , Tension, Stop/Tail Lamp	81690018
19	<b>ASSEMBLY</b> , Dome Lamp <i>(3 Required)</i>	85690308
20	<b>LENS</b> , Dome Lamp	81600116
21	<b>GROMMET</b> <i>(2 Required)</i>	85684103
22	<b>GROMMET</b> <i>(2 Required/Each)</i>	85684100
23	<b>GROMMET</b>	85684104
24	<b>SWITCH</b> , Bulkhead Door <i>(2 Required)</i>	85685001
25	<b>CONTACT</b> , Dual	81839001
26	<b>CONTACT</b> , Single	81839000
27	<b>RIVET</b> , Pop, AL, LG HD	85780203
28	<b>RIVET</b> , Pop, AL	85780209
29	<b>RIVET</b> , Blind, Nylon	85792002
NS	<b>LED</b> , Replaces Assemblies above with <b>LED</b> Lights, <i>(TRUCK-LITE)</i>	
	<b>Rear Yellow Lamp</b> , Truck-Lite 45071V <i>(Replaces #9)</i>	81600405
	<b>Rear Red S/T Lamp</b> , Truck-Lite 45072R <i>(Replaces #15)</i>	81600407
	<b>Rear Side Marker Turn (Red) LED</b> <i>(Replaces #3)</i>	81600403
	<b>Rear Center High, Stop (Red) LED</b> <i>(Replaces #6)</i>	81600404
	<b>Front Replacements, SEE PAGE 52</b>	81600404

\* LED lights may require Flasher #81600401

# MIRRORS



# MIRRORS

ILLUS. NO.	DESCRIPTION	PART NUMBER
1	ASSEMBLY, Mirror, Crossview, Rear	85687401
2	ASSEMBLY, Mirror, Side, Rear View, RS	85687402
3	ASSEMBLY, Mirror, Side, Rear View, LS	85687403
4	ASSEMBLY, Mirror, Crossview, Front View	85687404
5	HEAD, Mirror, Crossview, Front	81600014
6	HEAD, Mirror, Flat Glass, 6.5 x 10	81600091
7	HEAD, Mirror, Convex, 6.5 x 6	81600092
8	GLASS, Flat, 6.5 x 10	81600093
9	GLASS, Convex, 6.5 x 6	81600094
10	HEAD, Mirror, Convex, Rear, 10.75 Dia.	81600095
11	LOOP, Mirror, Right	81600096
12	LOOP, Mirror, Left	81600097
13	ARM, Front, Extension (New)	81600098
13	ARM, Front, Extension (Old)	Use New
14	BRACKET, Mounting, Base Plate	81600099
15	CABFOOT, Lower, Right	81600100
16	CABFOOT, Lower, Left	81600101
17	CABFOOT, Upper, Right	81600102
18	CABFOOT, Upper, Left	81600103
19	ARM, Bent, Rear Roof Mirror with Insert	81600117
20	TIP, Crutch, Rear Roof, Bent Arm	81600170
21	ASSEMBLY, Crossview, Threaded Leg	81600122
22	ARM, Front Mirror	81600137
23	SLEEVE, Front Mirror	81600138
24	NUT, Front Mirror	81600139
25	CLAMP, Side Mirror (Head to Loop)	81600123
26	BOLT, Acorn (Use with Item #25)	81600124
27	WASHER, Lock, 5/16 (Use with Item #25)	81600125
28	WASHER, Tension, 5/16	81600159
29	WASHER, SS Tooth 5/16	81600207
30	PLATE, Clamping	81600161
31	RIVNUT, Hex Steel, 1/4 - 20 x .205/.265	85786023
32	PLUSNUT, Steel	85787001
33	WASHER, Lock, Helical Spring, 18 - 8-1/4	85761104
34	BOLT, Hex Head, SST, 1/4 - 20 x 1	85743006
35	BOLT, Hex Head, 5/16 - 18 x 1	81600206
36	WASHER, Flat	81600207
37	WASHER, Nylon	81600208
38	NUT, Hex	81600209
39	BOLT, Hex Head 5/16 - 18 x 1-1/2	81600210
40	CAP, Retaining	81600211
41	PLATE, Lock	81600212
42	WASHER, Lock	81600213





# MIRRORS

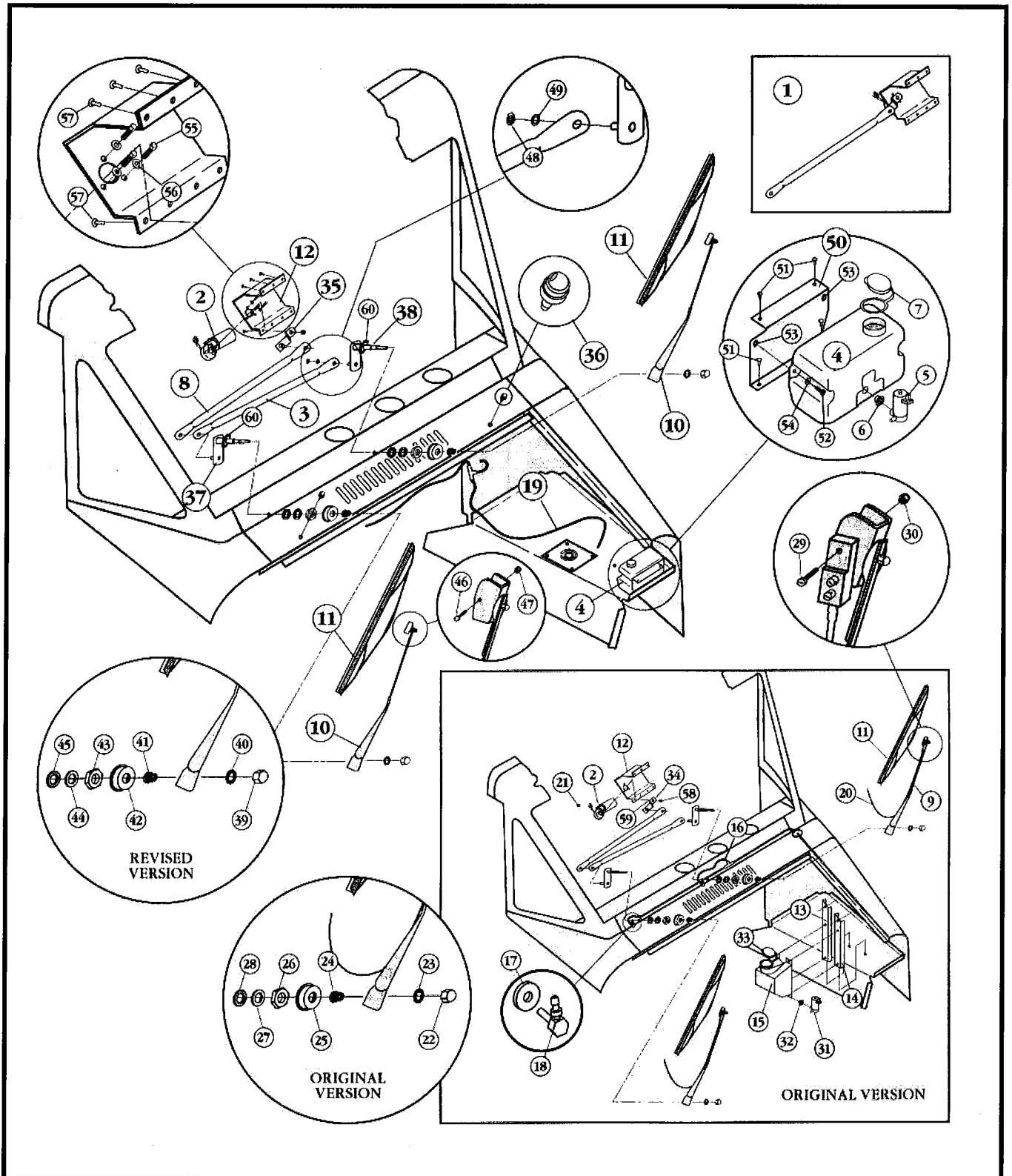
ILLUS. NO.	DESCRIPTION	PART NUMBER
43	NUT, Lock Elastic	81600214
44	SCREW, Cutting Thread	81600215
45	WASHER, Flat	81600216
46	RIVNUT, Hex Steel, 1/4 - 20 x .245/.305	85786025
47	GASKET, Clamping Plate	81600223
NS	KNOB, Torque	81600147
NS	TOOL, Plus Nut	81600085
NS	STUD, Pull Up	81600131
NS	STUD, Pull Up	81600145
NS	ANVIL, C-900	81600146
NS	SEALANT CHEMREX, CX-26 STD WHT	41002032

# NOTES

# DECALS

ILLUS. NO.	DESCRIPTION	PART NUMBER
NS	KIT, Decal, Beltline Kit	81600197
NS	DECAL, Beltline, Side Panel	85683016
NS	DECAL, Beltline, Side Door	85683010
NS	DECAL, Beltline, Cab Skirt, RS	85683011
NS	DECAL, Beltline, Cab Skirt, LS	85683012
NS	DECAL, Beltline, Rear Corner, LS	85683009
NS	DECAL, Beltline, Rear Corner, RS	85683008
NS	DECAL, Beltline, Rear Door	85683007
NS	DECAL, Vehicle No. "0"	85683020
NS	DECAL, Vehicle No. "1"	85683021
NS	DECAL, Vehicle No. "2"	85683022
NS	DECAL, Vehicle No. "3"	85683023
NS	DECAL, Vehicle No. "4"	85683024
NS	DECAL, Vehicle No. "5"	85683025
NS	DECAL, Vehicle No. "6"	85683026
NS	DECAL, Vehicle No. "7"	85683027
NS	DECAL, Vehicle No. "8"	85683028
NS	DECAL, Vehicle No. "9"	85683029
NS	DECAL, TP50	85676005
NS	DECAL, EPA, 1988	85683034
NS	DECAL, EPA, 1989 (comes with belt routing)	85683036
NS	DECAL, EPA, 1990	85683044
NS	DECAL, EPA, 1991	85683048
NS	DECAL, EPA, 1992	85683054
NS	DECAL, EPA, 1993	85683055
NS	DECAL, EPA, 1994	24574720
NS	DECAL, EPA, 1994, California	85683056
NS	DECAL, Cargo Lights	85683013
NS	DECAL, TP-50 & Gas	85676005
NS	DECAL, Safety Checklist	85683038
NS	DECAL, Recirculator Heater	85683045
NS	DECAL, Driver Fan	85683047
NS	DECAL, Dot 5 Fluid Only	85683017
NS	DECAL, Window Lock	85683035
NS	DECAL, ACS, Belt Routing	10044337
NS	DECAL, Look Before Backing	85683015
NS	DECAL, Drive Belt Routing	10044337
NS	DECAL, 2.2 Fan Shroud Routing	10141993

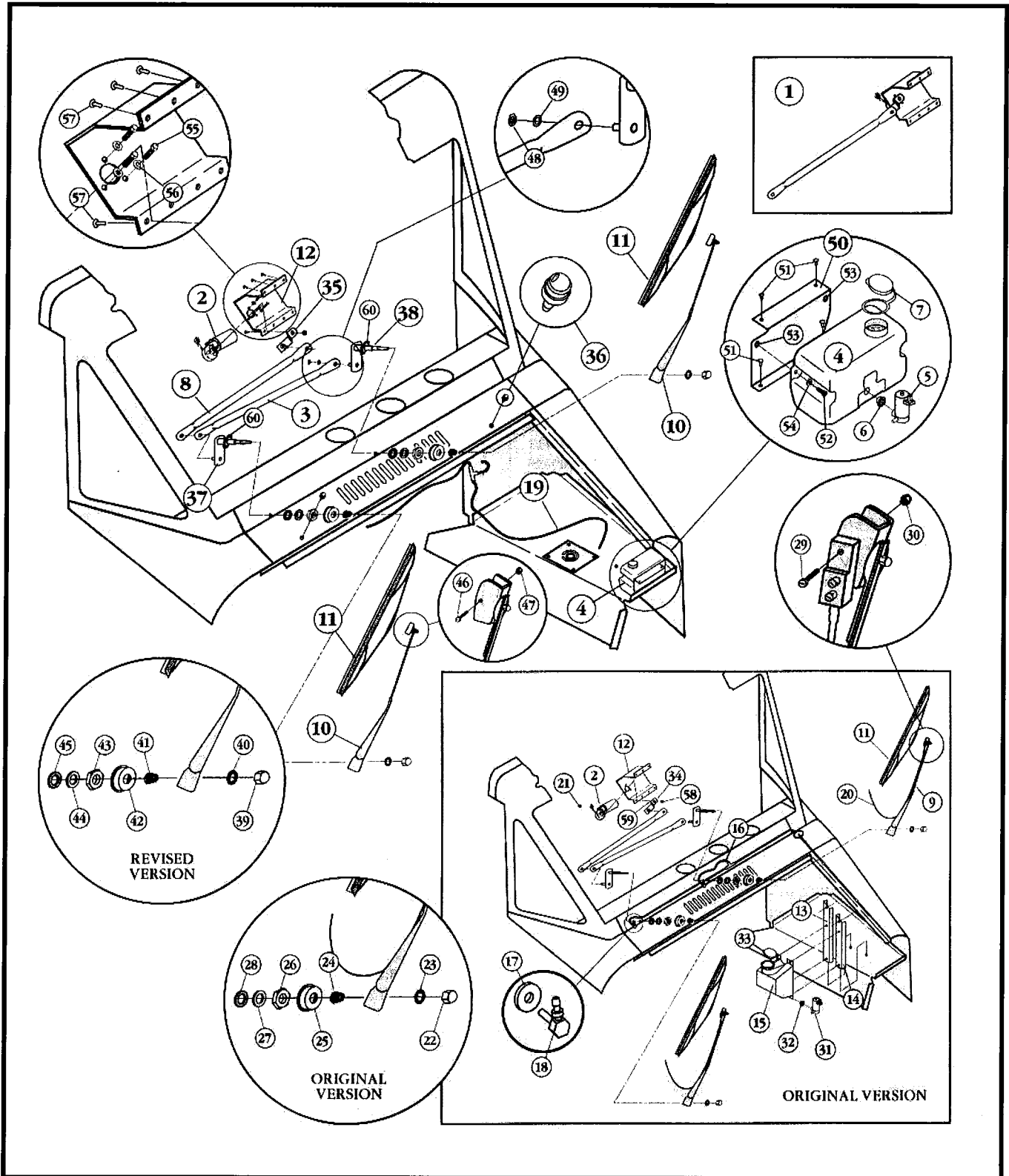
# WINDSHIELD WASHER/WIPER SYSTEM



# WINDSHIELD WASHER/WIPER SYSTEM

ILLUS. NO.	DESCRIPTION	PART NUMBER
1	<b>ASSEMBLY</b> , Wiper Motor <i>(Includes Item #2, 8, 12, 55, 56)</i>	15697200
2	<b>MOTOR</b> , Wiper	47004143
3	<b>LINKAGE</b> , Wiper Connecting	81697001
4	<b>RESERVOIR</b> , Windshield Washer	85696020
5	<b>PUMP</b> , Washer Bottle <i>(2.2 Version)</i>	<b>Use item 4</b>
6	<b>GASKET</b> , Pump, Washer Bottle <i>(2.2 Version)</i>	<b>Use item 4</b>
7	<b>CAP</b> , Washer Bottle <i>(2.2 Version)</i>	<b>Use item 4</b>
8	<b>LINKAGE</b> , Wiper Drive	47004142
9	<b>ARM</b> , Wiper <i>(2 Required)</i>	81697007
10	<b>ARM</b> , Wiper <i>(2 Required)</i>	81697027
11	<b>BLADE</b> , Wiper, Flex <i>(2 Required)</i>	81697026
12	<b>BRACKET</b> , Wiper Motor <i>(Undercoated)</i>	05617001
13	<b>BRACKET</b> , Windshield Washer Tank, Forward <i>(Undercoated) (Original Version)</i>	05616006
14	<b>BRACKET</b> , Windshield Washer Tank, Aft <i>(Undercoated) (Original Version)</i>	05616007
15	<b>ASSEMBLY</b> , Tank, Windshield Washer	47004137
16	<b>TEE</b> , Windshield Washer	1101694
17	<b>WASHER</b> , Rubber <i>(2 Required)</i>	81696008
18	<b>FITTINGS</b> , Hose <i>(2 Required)</i>	81696003
19	<b>HOSE</b> , Windshield Washer, 3/16: I.D.	1107122
20	<b>HOSE</b> , Blade	81600142
21	<b>SCREW</b> , Park	81600056
22	<b>NUT</b> , Cap	81697008
23	<b>WASHER</b> , Lock	81697009
24	<b>DRIVER</b> , Knurled	
	RS	81697030
	LS	47004136
25	<b>CAP</b> , Rubber	81697011
26	<b>NUT</b> , Jamb	81697012
27	<b>WASHER</b> , Steel	81697014
28	<b>WASHER</b> , Fiber	81697013
29	<b>SCREW</b> , Wiper Arm Saddle <i>(Use with Item #9)</i>	81600066
30	<b>NUT</b> , Wiper Arm Saddle <i>(Use with Item #9)</i>	81600067
31	<b>PUMP</b> , Windshield Washer	81600118
32	<b>GROMMET</b> , Pump <i>(Use with Item #31)</i>	81600119
33	<b>CAP</b> , Windshield Washer Bottle	81600120
34	<b>ARM</b> , Drive Motor <i>(Original)</i>	81600053
35	<b>ARM</b> , Drive Motor <i>(Revised)</i>	81600222

# WINDSHIELD WASHER/WIPER SYSTEM

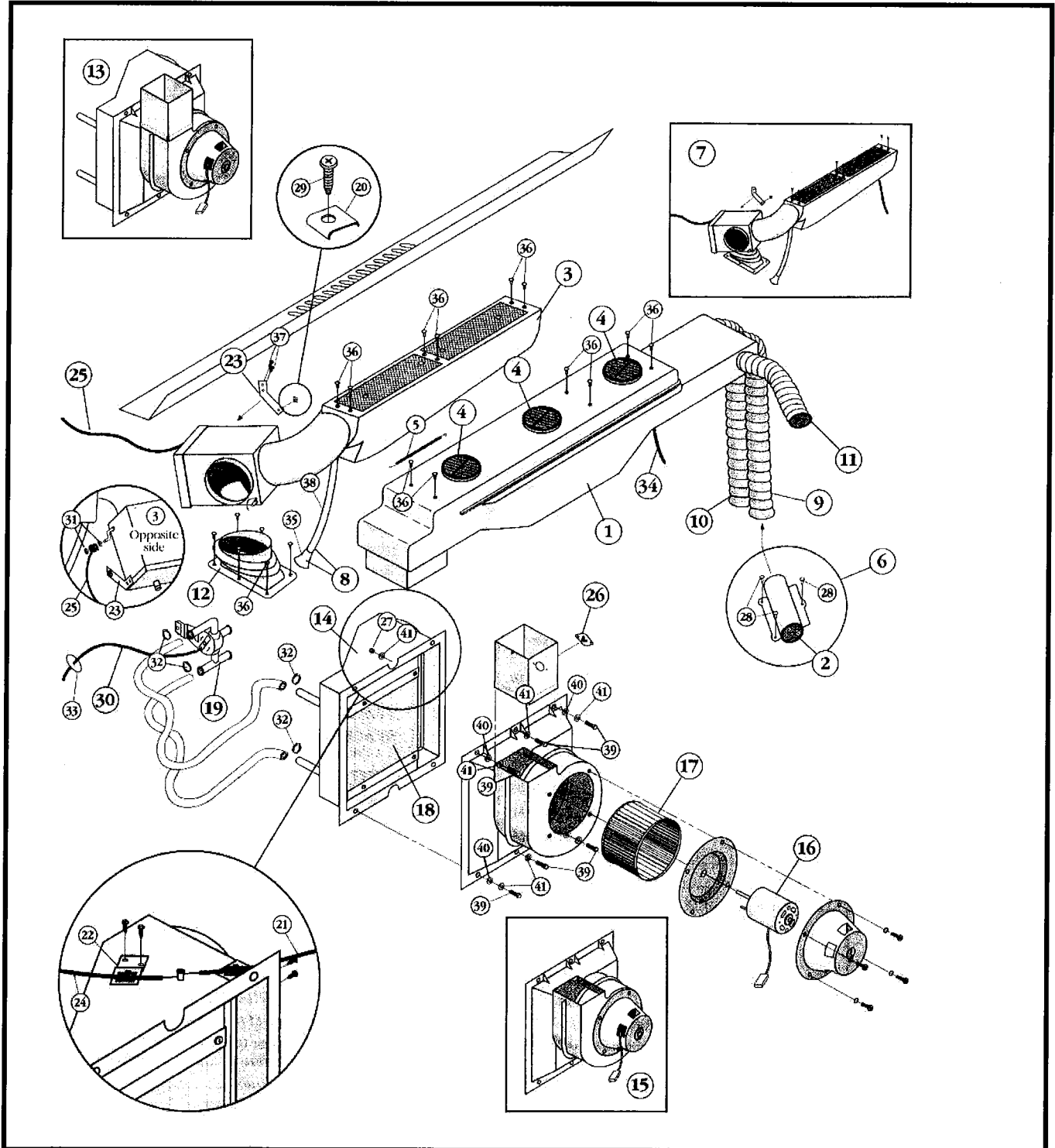


# WINDSHIELD WASHER/WIPER SYSTEM

ILLUS. NO.	DESCRIPTION	PART NUMBER
36	<b>KIT</b> , Retrofit, Windshield Washer Nozzle <i>(Includes 2 Nozzles, Tee, Tie Wrap, Hole Plugs, Item #19)</i>	81600156
<b>NS</b>	<b>KIT</b> , Windshield Washer Nozzle <i>(2 Nozzles and Tee)</i>	85696019
37	<b>ARM</b> , Pivot, Wiper, RS	81697030
38	<b>ARM</b> , Pivot, Wiper, LS	47004136
39	<b>NUT</b> , Crown	81600189
40	<b>WASHER</b> , Lock	81600190
41	<b>DRIVER</b> , Knurled	81600191
42	<b>CAP</b> , Rainshield Seal	81600192
43	<b>NUT</b> , Hex	81600193
44	<b>WASHER</b> , Steel	81600194
45	<b>WASHER</b> , Fiber	81600195
46	<b>SCREW</b> , Wiper Saddle	<b>Obsolete</b>
47	<b>NUT</b> , Wiper Saddle	<b>Obsolete</b>
48	<b>CLIP</b> , Spring <i>(Use with Item #2)</i>	47004012
49	<b>WASHER</b> , <i>(Use with Item #2)</i>	47004019
50	<b>BRACKET</b> , W/S Washer Bottle <i>(Undercoated)</i>	05616100
51	<b>RIVET</b> , Magna Lock <i>(4 Required)</i>	85780222
52	<b>SCREW</b> , Torx, 1/4 - 20 x 5/8 <i>(2 Required)</i>	85743152
53	<b>RIVNUT</b> , Hex, 1/4 - 20 x .020/.085 <i>(2 Required)</i>	85786013
54	<b>WASHER</b> , Flat, 1/4" <i>(2 Required)</i>	85761003
55	<b>BOLT</b> , Hex Head, 1/4 - 28 x 1/2	85743080
56	<b>WASHER</b> , Lock, 1/4	85761101
57	<b>RIVET</b> , AL, BR HD, 3/16 x 7/16	1117355
58	<b>NUT</b> , Lock Wiper Drive <i>(Original)</i>	81600052
59	<b>WASHER</b> , Wave Wiper Drive <i>(Original)</i>	81600055
60	<b>SCREW</b> , Pan Head <i>(1 Required/Each)</i>	85743171
60	<b>NUT</b> , Hex <i>(1 Required/Each)</i>	85720701
<b>NS</b>	<b>GEAR</b> , Wiper Motor <i>(Original Version)</i>	81600115
<b>NS</b>	<b>TIE</b> , Wrap	85793300
<b>NS</b>	<b>PLUG</b> , Hole	1111520



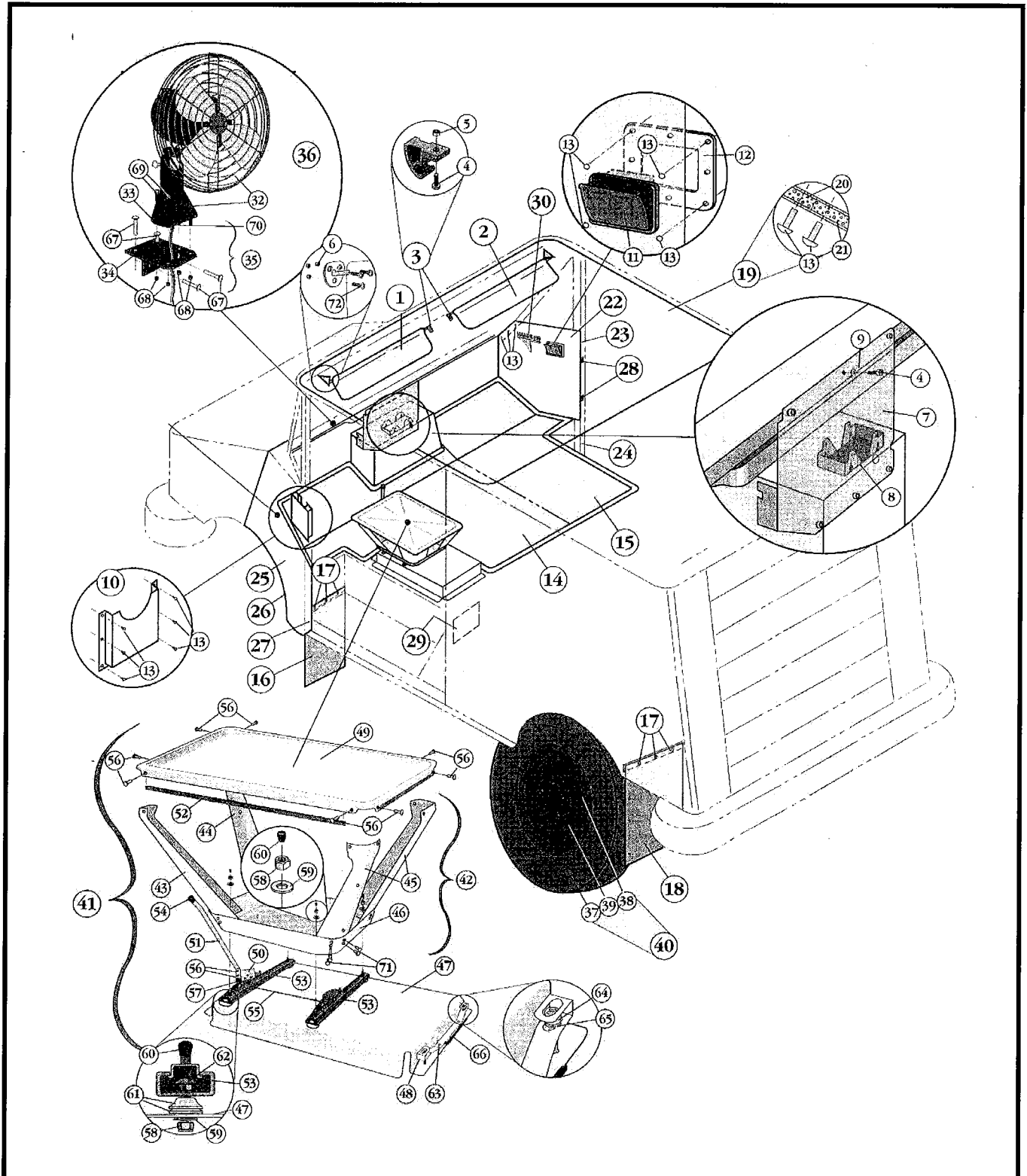
# HEATER/DEFROSTER SYSTEM



# HEATER/DEFROSTER SYSTEM

ILLUS. NO.	DESCRIPTION	PART NUMBER
1	PLENUM, Heater Distribution	85679009
2	PLENUM, Foot Heater	85668202
3	PLENUM, Fresh Air Intake	85668006
4	CAP, Plenum Louver Heater (3 Required)	81600171
5	SPRING, Heater Plenum	85698016
6	KIT, Foot Heater (Includes Item #2, 28)	81668203
7	KIT, Recirculation Plenum Retrofit (Includes Items #3, 8, 12, 20, 23, 25, 31, 33, 34, 36, 37 with Drill Template & Decal)	81600071
8	HOSE, Drain, Plenum	15668201
9	DUCT, Foot Heater	85679023
10	DUCT, Heater, Floor, RS	85679012
11	DUCT, Heater, Floor, LS	85679011
12	VENT, Recirculation	85668007
13	KIT, Heater (Includes Items #14, 15)	Not Available
14	ASSEMBLY, Heater Core (Includes Item #18)	Not Available
15	ASSEMBLY, Heater Blower	Not Available
16	HEATER, Blower, Motor Only	81600079
17	WHEEL, Heater	81600114
18	CORE, Heater	81600781
19	VALVE, Heater	85698014
20	CLAMP, Cable	85698013
21	CABLE, Heater, Valve	81620016
22	BRACKET, Heater Valve Cable (Includes Bracket, Screws, Cable Clip)	85698017
23	BRACKET, Cable	85668008
24	CABLE, Heater (Original Version)	81620016
25	ASSEMBLY, Recirculation Control Cable	85668009
26	RESISTOR, Heater	81600063
27	NUT, Nylock, 1/4 - 2 (Use with Item #15) (2 Required)	85720704
28	RIVET, Pop, Spreading Shank (Use with Item #6) (3 Required)	85780213
29	SCREW, Tapping, #6 (Use with Item #20) (1 Required)	85743302
30	CABLE, Heater (Revised Version)	81620016
31	NUT, Push .188 (Use with Item #25) (2 Required)	85720200
32	CLAMP, Hose (6 Required)	85698009
33	GROMMET, Cable	85684102
34	WRAP, Tie	85793300
35	VALVE, Kazoo Drain	85668010
36	RIVET, Pop Spreading Shank (Use with Item #1, 3) (12 Required)	85780212
37	SCREW, Self-Tapping #10 x 3/4 (Use with Item #23) (2 Required)	85743320
38	HOSE, Rubber Heater, .63 Dia.	44001004
39	BOLT, Hex Head, 1/4 - 20 x 1 (Use with Item #14, 15) (6 Required)	85743005
40	WASHER, Lock Spring, 1/4" (Use with Item #15) (4 Required)	85761101
41	WASHER, Flat, 1/4 (Use with Item #15) (8 Required)	85761003
NS	SEAL, Bond 88	81600031
NS	SEALANT, Bead Polysulphide	85677002
NS	TEMPLATE, Drill	81600073

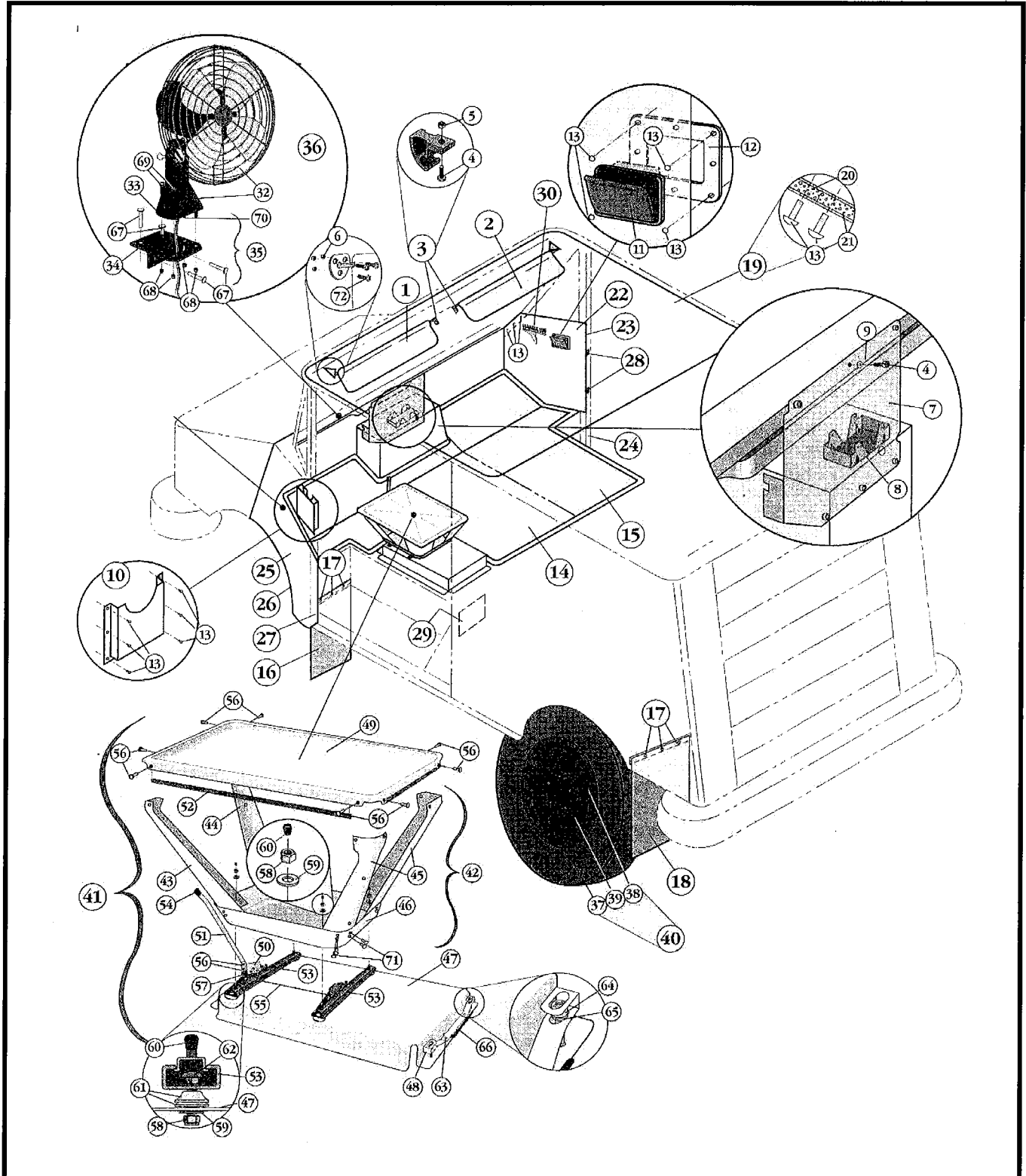
# CAB EQUIPMENT



# CAB EQUIPMENT

ILLUS. NO.	DESCRIPTION	PART NUMBER
1	VISOR, Sun, LS	85686003
2	VISOR, Sun, RS	85686002
3	CLIP, Sun Visor Support (2 Required)	81686004
4	SCREW, Torx, 8-32 x 1/2 (Use with Item #3-1 Required; Item #7-6 Required)	85743102
5	NUT, Nylock, 8/32 (Use with Item #3)	85720700
6	RIVNUT, Hex Steel, 10 - 32 x .010/.085 (Use with Item #1, 2) (3 Required/Each)	85786010
7	COVER, ECM	85679017
8	BRACKET, ECM	85679018
9	WASHER, Flat #10 (Use with Item #7) (6 Required)	85761002
10	COMPARTMENT, Forms	85679004
11	ASHTRAY, (Use with Item #12)	85671001
12	DOUBLER, Ashtray (Use with Item #11)	85606006
13	RIVET, Nylatch (Use with Item #10-6 Required; Item #12-4 Required; Item #19-36 Required; Item #22-3 Required; Item #25-3 Required)	85792002
14	MAT, Floor, Driver Compartment	85684014
15	PATCH, Floor Mat	81600141
16	FLAPS, Mud, Front (19 x 16.5)	85684017
17	RIVET, Pop, Spreading Shank (Use with Item #16-8 Required; Item #18-6 Required)	85780210
18	FLAPS, Mud Rear (10.5 x 14.5)	85684018
19	LINER, Roof, Cab Area	85606003
20	INSULATION, Cab Roof, Forward	85611018
21	INSULATION, Cab Roof, Aft	85611019
22	LINER, Panel, RS (Item #23 Required)	5606001
23	INSULATION, Liner Panel, RS (Item #22 Required)	85606005
24	SEAL, A-Post, RS	85684033
25	LINER, Panel, LS (Item #26 Required)	5606002
26	INSULATION, Liner Panel, LS (Item #25 Required)	85606004
27	SEAL, A-Post, LS	85684034
28	CLIP, Speed, U-Type (Use with Item #22)	85720610
29	PLATE, Data	85616002
30	LOGO, Morgan Olson, RS	<b>Obsolete</b>
31	LOGO, Morgan Olson, LS	<b>Obsolete</b>
32	ASSEMBLY, Driver Fan	81650300
33	BASE, Driver Fan	81600108
34	BRACKET, Mounting, Driver Fan	05650001
35	KIT, Bracket, Driver Fan (Includes Item #34, 56, 68, 69, 70)	81600077
36	KIT, Fan, w/o Switch (Includes Item #32, 35)	81600075
NS	KIT, Fan (Includes Item #36, Switch and Decal)	81600076
37	TIRE, Steel Belted	<b>Not Available</b>
38	STEM, Valve	85615003
39	WHEEL, 14 x 6	85615005
40	ASSEMBLY, Tire, Spare (Includes Item #37, 38, 39)	<b>Obsolete</b>
NS	PLUG, Cigar Lighter	1111513

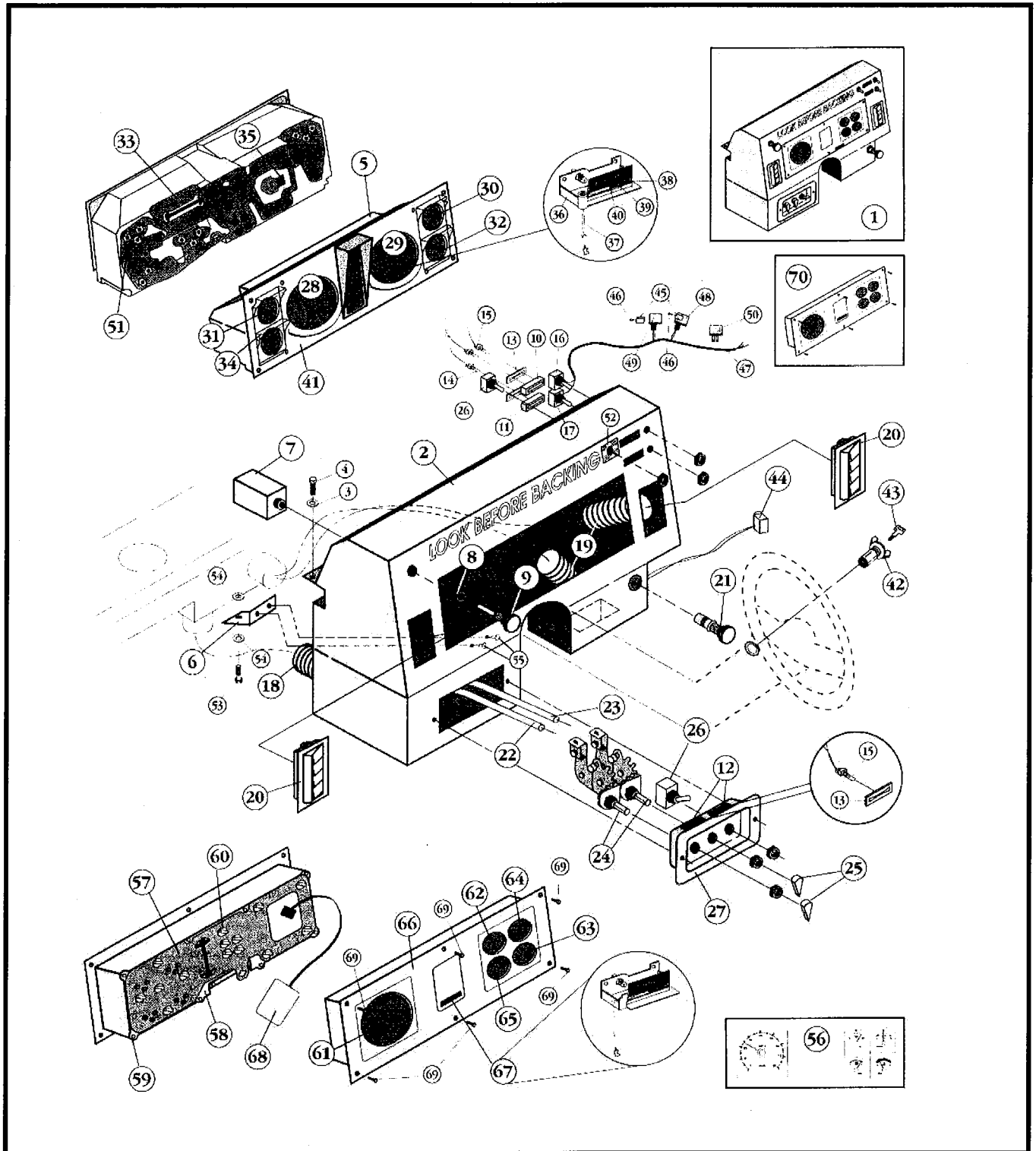
# CAB EQUIPMENT



# CAB EQUIPMENT

ILLUS. NO.	DESCRIPTION	PART NUMBER
41	<b>ASSEMBLY</b> , Tray, Mail <i>(Includes #42, 47, 49 thru 66)</i>	<b>Obsolete</b>
41	<b>NEW MAIL TRAY FULLY ASSEMBLED</b>	81600352
42	<b>SUB-ASSEMBLY</b> , Spyder Support <i>(Painted) (Includes Items #43 thru 46)</i>	<b>Obsolete</b>
43	<b>LEG</b> , Spyder, Forward, LS	<b>Obsolete</b>
44	<b>LEG</b> , Spyder, Forward, RS	<b>Obsolete</b>
45	<b>LEG</b> , Spyder, Rear <i>(2 Required)</i>	<b>Obsolete</b>
46	<b>PAN</b> , Support without Holes	81604006
47	<b>PAN</b> , Mounting, Spyder Support <i>(Painted) (Includes Item #48)</i>	<b>Obsolete</b>
47	<b>PAN</b> , Mounting, Spyder Support <i>(Not Painted)</i>	<b>Obsolete</b>
47	<b>PAN</b> , Mounting, Diamond Plate, Corners Welded	81600331
47	<b>PAN</b> , Mounting, Heavy Duty, Corners Welded	81600350
48	<b>RETAINER</b> , Bolt	85694027
49	<b>TRAY</b> , Mail	85604001
50	<b>BRACKET</b> , Mail Tray Handle	85604007
51	<b>HANDLE</b> , Mail Tray	85604008
52	<b>TRIM</b> , Edge, Mail Tray	85604012
53	<b>SLIDES</b> , Mounting, Mail Tray <i>(2 Required)</i>	85669010
54	<b>TIP</b> , Handle	85684200
55	<b>ROD</b> , Connecting	<b>Obsolete</b>
56	<b>RIVET</b> , Pop <i>(Use with Item #49-8 Required; Item #50-2 Required)</i>	85780201
57	<b>RIVET</b> , AL, BR HD, 3/16 x 7/16 <i>(Use with Item #50) (3 Required)</i>	1117355
58	<b>NUT</b> , Nylock, 10-24 <i>(Use with Item #53) (8 Required)</i>	85720705
59	<b>WASHER</b> , Lock, 1/4" <i>(Use with Item #53) (8 Required)</i>	85761004
60	<b>CAP</b> , Vinyl <i>(Use with Item #53) (4 Required)</i>	<b>Obsolete</b>
61	<b>SPACER</b> <i>(Use with Item #53) (8 Required)</i>	85694007
62	<b>BOLT</b> , Carriage, 5/16 - 18 x 1-1/4 <i>(Use with Item #53) (4 Required)</i>	85743452
63	<b>RIVET</b> , Flat Head, 3/16 x 3/8 <i>(Use with Item #48) (4 Required)</i>	1117434
64	<b>SCREW</b> , Cap, Socket Head <i>(Use with Item #48) (4 Required)</i>	85743601
65	<b>WASHER</b> , Lock <i>(Use with Item #48) (4 Required)</i>	85761103
66	<b>KEY</b> , Hex <i>(Use with Item #48)</i>	85694037
67	<b>RIVET</b> , Pop <i>(Use with Item #34) (4 Required)</i>	85780212
68	<b>NUT</b> , Nylock, 8/32 <i>(Use with Item #34) (4 Required)</i>	85720700
69	<b>SCREW</b> , Torx, Pan Head <i>(4 Required)</i>	85743105
70	<b>WASHER</b> , Star, 18- 8 #10 <i>(Use with Item #34) (1 Required)</i>	85761202
71	<b>RIVET</b> , AL, BR HD, 3/16 x 3/8	1117353
72	<b>SCREW</b> , Torx, Pan Head, 10/32 x 1/2 <i>(Use with Item #1, 2) (3 Required/Each)</i>	85743118
NS	<b>SEALANT CHEMREX</b> , CX-26 STD WHT	41002032

# INSTRUMENT PANEL

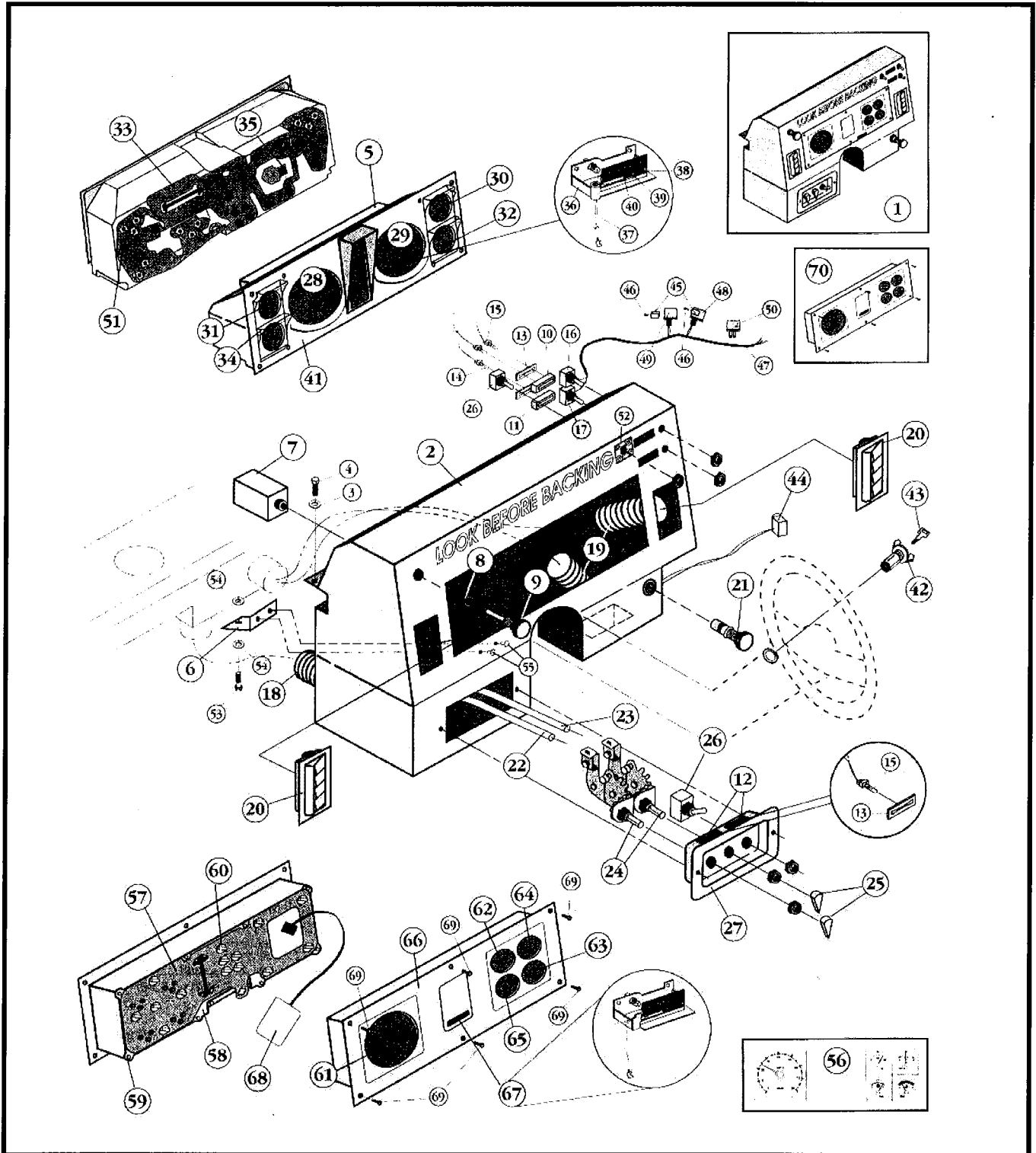


# INSTRUMENT PANEL

ILLUS. NO.	DESCRIPTION	PART NUMBER
<b>ORIGINAL VERSION</b>		
1	<b>ASSEMBLY</b> , Instrument Panel, Complete <i>(Includes Items #2-11, 19-25)</i>	35620301
2	<b>PANEL</b> , Instrument	85630001
3	<b>WASHER</b> , Flat #10 <i>(Use with Item #2) (3 Required)</i>	85761002
4	<b>SCREW</b> , Torx <i>(Use with Item #2) (3 Required)</i>	85743118
5	<b>CLUSTER</b> , Instrument <i>(Use Item #70)</i>	<b>Not Available</b>
6	<b>BRACKET</b> , Instrument Panel, Lower Support	85620017
6	<b>KIT</b> , Bracket, Instrument Panel, Lower Support	81600203
7	<b>SWITCH</b> , Headlamp	85685016
8	<b>NUT</b> , Headlamp Switch	03919021
9	<b>ROD/KNOB</b> , Headlamp Switch	85685018
10	<b>INDICATOR</b> , 4-Way Hazard Housing	85685023
11	<b>INDICATOR</b> , Cargo Light Housing	85685024
12	<b>HOUSING</b> , Heater/Vent Light	85685025
13	<b>SPEEDNUT</b> <i>(Use with Item #10, 11, 12 - 1 Required/Each)</i>	85720210
14	<b>BULB</b> <i>(Use with Item #10, 11)</i>	85685029
15	<b>SOCKET w/Bulb</b> <i>(Use with Item #10, 11 &amp; 12)</i>	85685030
16	<b>SWITCH</b> , Hazard, 4 Pole	85685036
17	<b>SWITCH</b> , Load Compartment Lamp	85685002
18	<b>DUCT</b> , Heater, LS	85679011
19	<b>DUCT</b> , Heater, RS/Floor	85679012
20	<b>OUTLET</b> , Heater <i>(2 Required)</i>	85679005
21	<b>LIGHTER</b>	85685021
22	<b>CABLE</b> , Heater, Defroster	81620014
23	<b>CABLE</b> , Temperature, 81"	81620016
24	<b>CONTROLLER</b> , Cable, Heater/Plenum <i>(2 Required)</i>	81620010
25	<b>KNOB</b> , Heater Control <i>(2 Required)</i>	81620015
26	<b>SWITCH</b> , Driver Comfort	85685005
27	<b>PANEL</b> , Heater Control	81685026
28	<b>GAUGE</b> , Speedometer	<b>Not Available</b>
29	<b>GAUGE</b> , Fuel	<b>Not Available</b>
30	<b>GAUGE</b> , Oil	<b>Not Available</b>
31	<b>GAUGE</b> , Temperature	<b>Not Available</b>
32	<b>GAUGE</b> , Volt	<b>Not Available</b>
33	<b>BOARD</b> , Printed Circuit	<b>Not Available</b>
34	<b>LENS</b> , Cover, Instrument Cluster	<b>Not Available</b>
35	<b>SENSOR</b> , Speed	<b>Not Available</b>
36	<b>HOUSING</b> , PRNDL	81600185



# INSTRUMENT PANEL

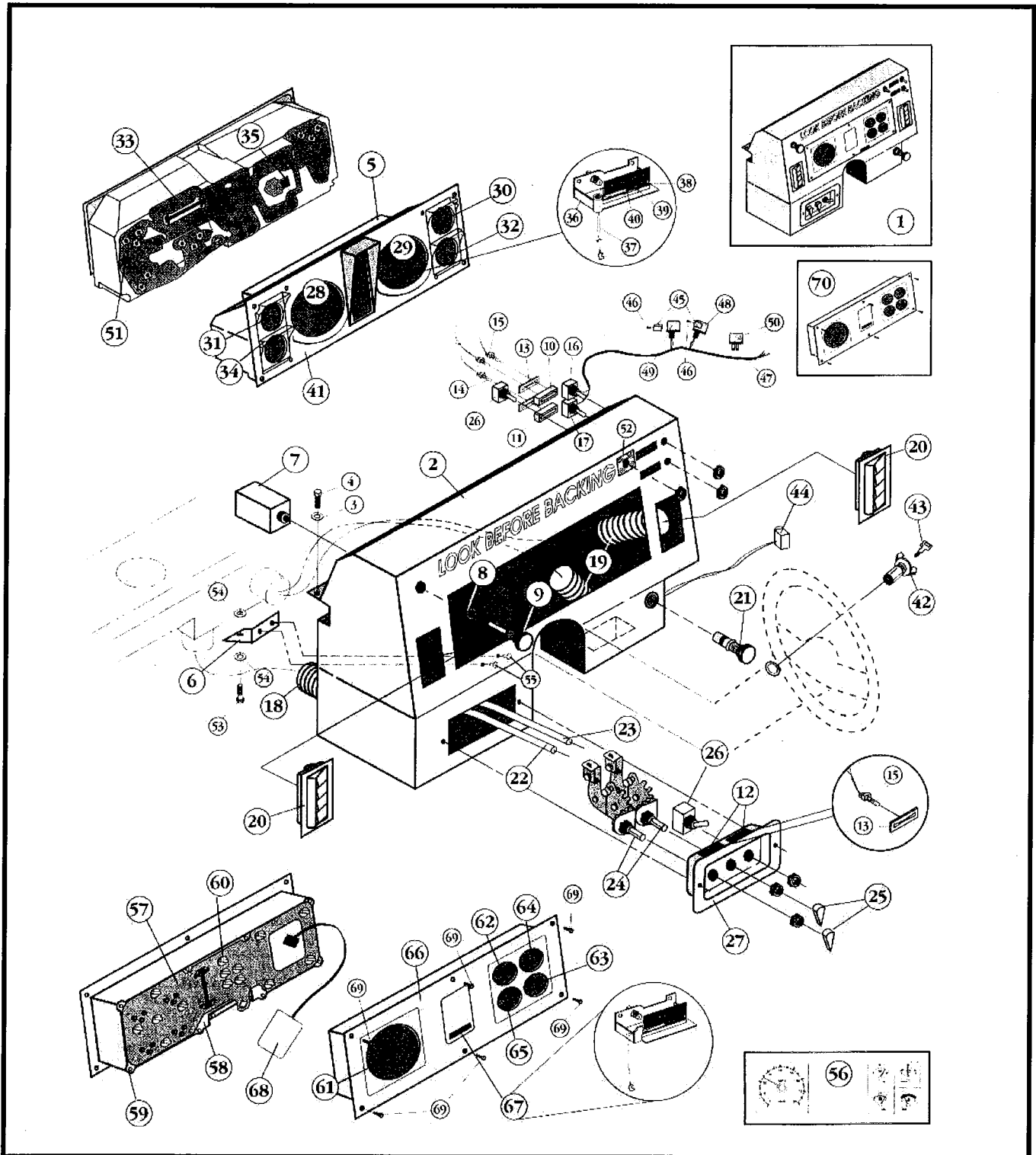


# INSTRUMENT PANEL

ILLUS. NO.	DESCRIPTION	PART NUMBER
<b>ORIGINAL VERSION CONTINUED</b>		
37	<b>CABLE</b> , PRNDL	81600065
38	<b>SPRING</b> , PRNDL	81600069
39	<b>POINTER</b> , PRNDL	81600185
40	<b>SLIDE</b> , PRNDL	81600088
41	<b>COVER</b> , Instrument Panel, Black	81600110
42	<b>CYLINDER</b> , Ignition Lock	
	<b>Original Version</b> (Specify G#)	<b>Not Available</b>
	<b>Revised Version</b> (Specify Code)	<b>Not Available</b>
<b>NS</b>	<b>CYLINDER KIT</b> , Lock (Includes Ignition, 2 Side Doors, 1 Bulk Head, 1 Rear Door, 3 Cut Keys)	
	<b>Original Version</b> (Specify G#)	<b>Not Available</b>
	<b>Revised Version</b> (Specify Code)	<b>Not Available</b>
43	<b>CUT KEY</b>	
	<b>Original Version</b> (Specify G#)	<b>Not Available</b>
	<b>Revised Version</b> (Specify Code)	<b>Not Available</b>
44	<b>LITEMINDER</b>	85685039
45	<b>CLIP</b> , Flasher	85602014
46	<b>RIVET</b> , Pop	85780209
47	<b>HARNESS</b> , 4-Pole Hazard	85685037
48	<b>FLASHER</b> , 323, 12 Volt	10041074
49	<b>FLASHER</b> , 264 Wagner	<b>use # 50</b>
50	<b>FLASHER</b> , Tridon Electronic, 12 Volt	15504673
<b>NS</b>	<b>FLASHER</b> , 4-Way, Electronic, 2.2 Litre	11515961
51	<b>BULBS</b> , Back of Instrument Cluster	
	<b>Blue</b>	<b>Obsolete</b>
	<b>Black</b>	<b>Obsolete</b>
	<b>Gray</b> (Used for Turn Signal)	<b>Obsolete</b>
52	<b>DECAL</b> , Driver Comfort Fan	85683047
53	<b>BOLT</b> , Hex Head, 1.25 x 18	85743070
54	<b>WASHER</b> , Flat, SST, 5/16" (2 Required)	85761004
55	<b>RIVET</b> , Pop, AL, BR HD	85780208

\* **NOTE!** If Lights was replaced with LED item # 50 might need to be replaced with 81600401 flasher because of low voltage draw.

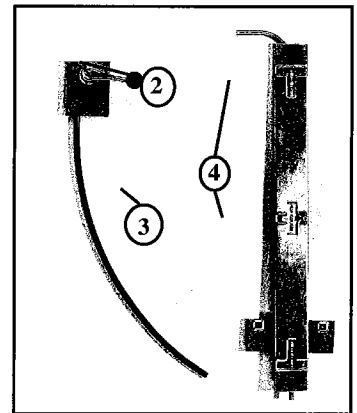
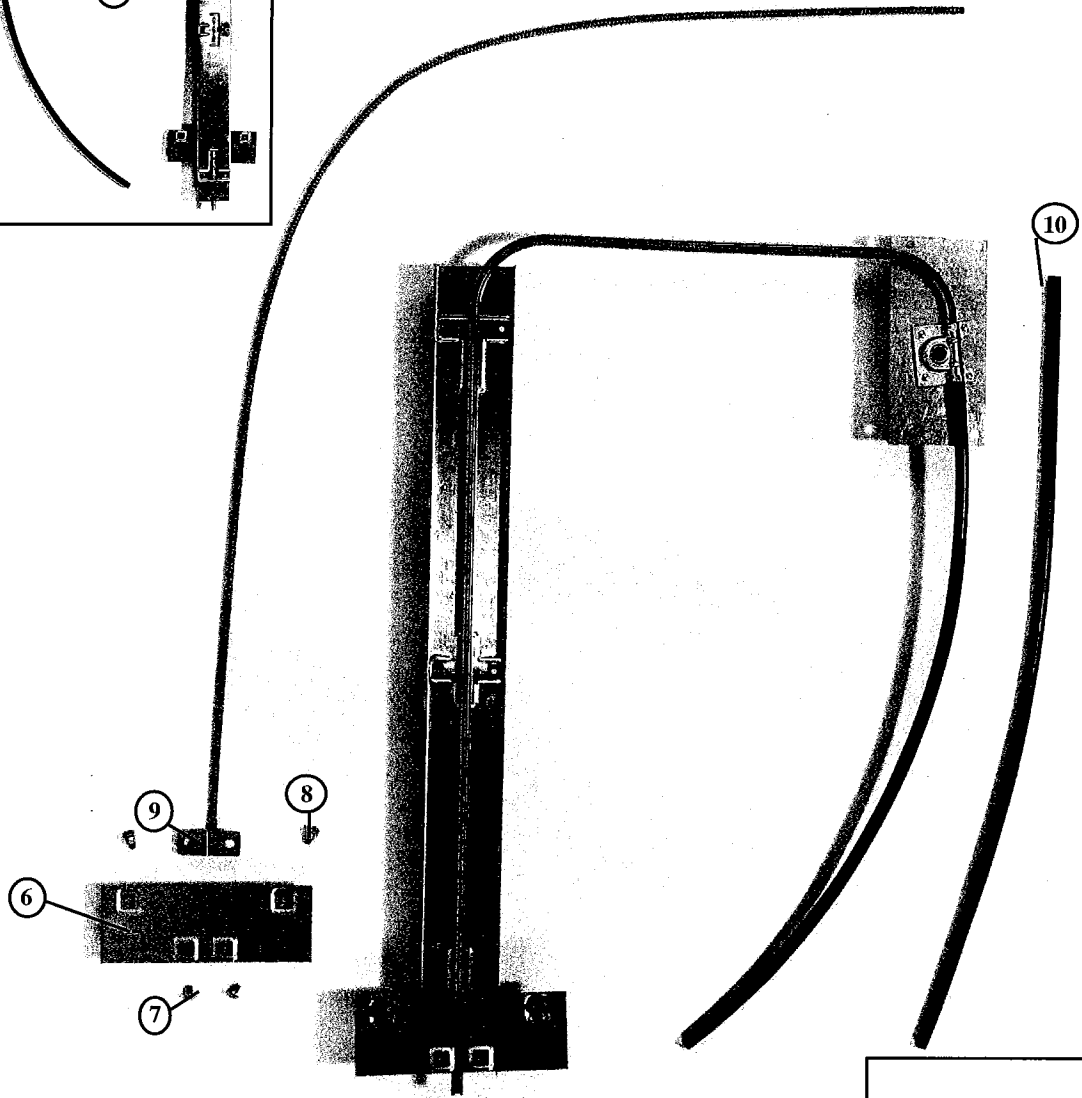
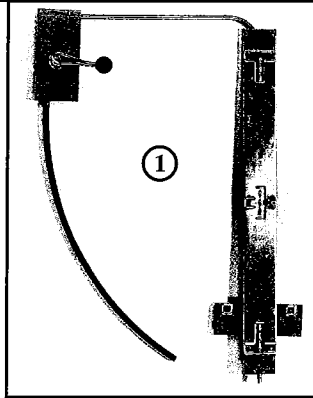
# INSTRUMENT PANEL



# INSTRUMENT PANEL

ILLUS. NO.	DESCRIPTION	PART NUMBER
<b>REVISED VERSION</b>		
Vehicle Effectivity USPS #3313063 VIN #1GBCS10A0P2921028		
56	<b>KIT</b> , Instrument, Gauge <i>(Includes 61 thru 65)</i>	81600174
57	<b>CIRCUIT</b> , Flex	81600175
58	<b>PLATE</b> , Back	81600176
59	<b>SCREW</b> , Hex Wash Head <i>(10 Required)</i>	81600177
60	<b>ASSEMBLY</b> , Lamp Socket <i>(14 Required)</i>	81600178
61	<b>SPEEDOMETER</b> , 85 mph & Clip	81600179
62	<b>GAUGE</b> , Oil Pressure	81600180
63	<b>GAUGE</b> , Water Temperature	81600181
64	<b>GAUGE</b> , Volt	81600182
65	<b>GAUGE</b> , Fuel	81600183
66	<b>ASSEMBLY</b> , Main Instrument Housing	81600184
67	<b>ASSEMBLY</b> , PRNDL Pointer	81600185
68	<b>BUFFER</b> , Speed with Pick-Up	81600186
69	<b>SCREW</b> , Pan Head Torx <i>(6 Required)</i>	85743128
70	<b>CLUSTER</b> , Instrument	85685040

# MUNCY REGULATOR



# MUNCY REGULATOR

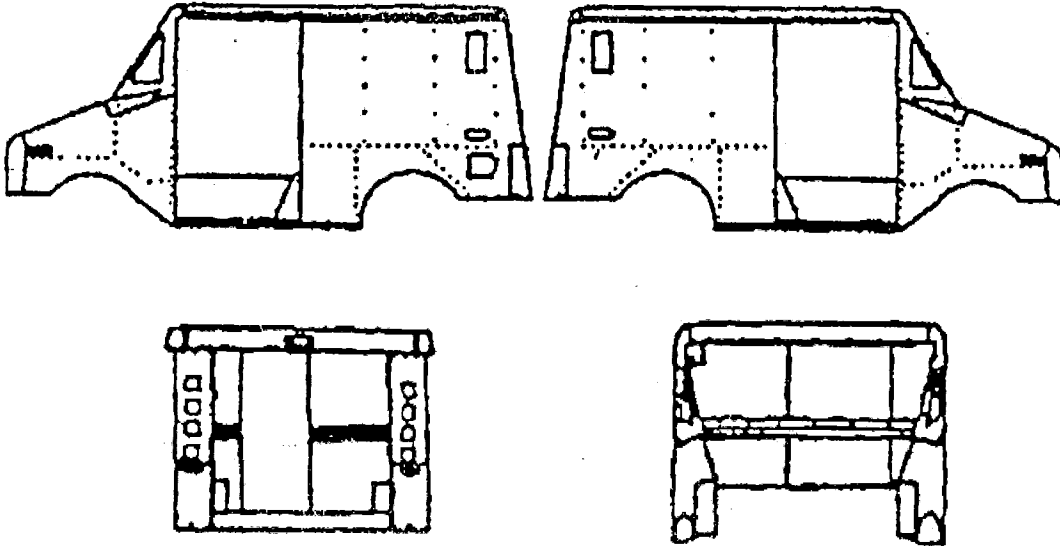
ILLUS. NO.	DESCRIPTION	PART NUMBER
1	<b>ASSEMBLY, WINDOW REGULATOR (Muncy), L/S</b>	81600333
1	<b>ASSEMBLY, WINDOW REGULATOR (Muncy), R/S</b>	81600334
2	<b>CRANK, Chrome Window</b>	81600371
3	<b>SCREW, Window Crank</b>	81600372
4	<b>SCREW, Torx, W/PTCLC PDR CTD 1/4 (6 Required)</b>	85743813
5	<b>CABLE, Reg. Drive W/T Bracket</b>	81600366
6	<b>PLATE, Adapter</b>	81600373
7	<b>SCREW, Adapter Plate (2 Required)</b>	81600374
8	<b>SCREW, Flat Head 1/4 x 5/8 (2 Required)</b>	85743170
9	<b>BUSHING, FLNGD, Nylon (2 Required)</b>	85793002
10	<b>TUBE, Return, Plastic</b>	81600375
<b>NS</b>	<b>KIT, Hardware, Muncy Regulator</b>	81600365
	<b>Rivnut, Hex 10-32</b>	85786010
	<b>Washer, Locking external 3/16</b>	85761202
	<b>Screw, Torx, W/PT 10-32 .625</b>	85743151
<b>NS</b>	<b>KIT, Side Door Regulator (Muncy) Conversion, (Includes Muncy Regulator Sub assembly, All Glass felt, Reinforcement Plate and Mail Loss Prevent Kit), R/S</b>	81600597
<b>NS</b>	<b>KIT, Side Door Regulator (Muncy) Conversion, (Includes Muncy Regulator Sub assembly, All Glass felt, Reinforcement Plate and Mail Loss Prevent Kit), L/S</b>	81600598

# MORGAN OLSON PAINTED PARTS

NO.	DISCRIPTION	PART #
1	FRONT GRILLE ASSY	85605300
2	FRONT GRILLE SUB-ASSY	05605300
3	SKIRT PANEL,RS	01610003
4	CORNER CASTING,RS	05622011
5	SKIRT PANEL,LS	05610004
6	CORNER CASTING,LS	05622010
7	COMPLETE HOOD ASSY	35602300
8	HOOD SUB-ASSY	05602300
9	HOOD PROP ROD	05602006
10	DASH ASSY	05608306
11	LOWER SIDE SILL,RS	05613074
12	LOWER SIDE SILL,LS	05613013
13	A POST,RS	05610005
14	A POST,LS	05610006
15	BULKHEAD DR ASSY	05601300
16	NEW DR ASSY COMPLETE,RS	81600367
17	NEW DR ASSY COMPLETE,LS	81600368
18	DR ASSY FIRST STAGE,RS	81503301
19	DR ASSY FIRST STAGE,LS	81503300
20	LWR INSIDE DR PANEL SUB-ASSY W/REG,RS	01603303
21	LWR INSIDE DR PANEL SUB-ASSY W/REG,LS	01603302
22	LWR INSIDE DR PANEL SUB-ASSY W/REG,RS	81600369
23	LWR INSIDE DR PANEL SUB-ASSY W/REG,LS	81600370
24	SIDE DR REGULATOR CONVERSION KIT,RS	81600597
25	SIDE DR REGULATOR CONVERSION KIT,LS	81600598
26	OUTER DR PANEL,BOTH RS AND LS SIDES	05603011
27	LOSS MAIL PREVENT KIT	81600393
28	DR HANGER ASSY,RS.	81600050
29	DR HANGER ASSY,LS.	81600049
30	FOUR DR ROLLER HANGER,LS	81600588
31	FOUR DR ROLLER HANGER,RS	81600589
32	DOOR CLIP	05603042
33	COMPLETE REAR DR ASSY	85692064
34	DRIVER SEAT BOX ASSY	05694304
35	PASENGER/OBSERVER SEAT BOX ASSY	05694302
36	COMPLETE MAIL TRAY ASSY	81600352
37	PAINTED BODY ASSY	81002004
40	CARGO VENT KIT	01691001
41	CARGO VENT	05691001
42	PANEL LINER,RS	05606001
43	PANEL LINER,LS	05606002
44	PTD FUEL FILL BRKT	05612020
45	PTD FUEL FILL DOOR	05612019
46	PTD STEP CLOSURE PANEL L/S	05613011
47	PTD STEP CLOSURE PANEL R/S	05613010
48	PTD "B" POST L/S	05613006
49	PTD "B" POST R/S	05613005
50	PTD CORNER GUARD L/S	05612015
51	PTD CORNER GUARD R/S	05612014

NO.	DISCRIPTION	PART #
52	TORX SCREW POWDER COAT	85743813
53	POP RIVET POWDER COAT	85780214
54	PAINT RIVET AL BR HD 3/16 x 5/16	85780501
55	PAINT RIVET AL BR HD 3/16 x 3/8	85780502
56	PAINT RIVET AL BR HD 3/16 x 7/16	85780503
57	PAINT RIVET AL BR HD 3/16 x 1/2	85780504
58	TORX SCREW POWDER COAT 8/32X.50	85743122
59	PAINT RIVET AL BR HD 1/4 x 3/8	05780802
60	PAINT RIVET AL BR HD 1/4 x 7/16	05780803
61	PAINT RIVET AL BR HD 1/4 x 1/2	05780804
62	PAINT RIVET AL BR HD 1/4 x 9/16	05780805
63	REAR BUMPER BRACKET RS	05607303
64	REAR BUMPER BRACKET LS	05607304
65	FRONT BUMPER BRACKET RS	05607302
66	FRONT BUMPER BRACKET LS	05607301
67	FRONT BRACKET BOLT RS	05607305
68	FRONT BRACKET BOLT LS	05607306
69	RADIATOR SUPPORT ASSY	05608301
70	RADIUS BLOCK	05622021
71	SPLASH PAN LS	05608029
72	SPLASH PAN ASSY,RS	05608308
73	SPLASH PAN ASSY COMPLETE,LS	05608311
74	SPLASH PAN ASSY COMPLETE,RS	81608308
75	REINFORCEMENT PLATE ASSY	05608307
76	FLOOR ASSY	05613310
77	NUT RETAINER	05613071
78	WIPER MOTOR BRACKET	05617001
79	W/SHIELD WASHER TANK BRACKET FOR	05616006
80	W/SHIELD WASHER TANK BRACKET AFT.	05616007
81	DRIVER FAN MOUNTING BRACKET	05650001

# BODY ASSEMBLY



**GLASS, HOOD, FRONT GRILLE, WIRING, DASH  
ASSEMBLY AND DOORS (SIDE, BULKHEAD AND REAR ROLL UP)  
ARE  
NOT INCLUDED**

## PART NUMBER

**Unpainted Body  
Painted Body**

**81002002  
81002004**

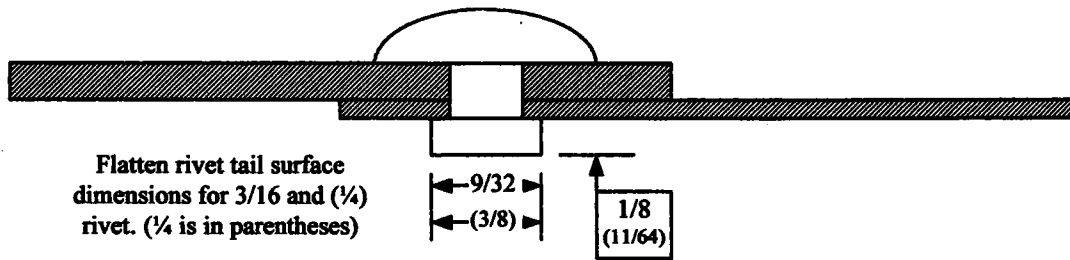


# PART NUMBER CHANGES

Old Number	Description	New Number
15969283	RETAINER BODY BOLT	15688319
65604301	MAIL TRAY LLV USPS	81600352
81600054	WPR WASHER LINKAGE U/T#WA1654	47004019
81600057	WIPER CLIP RETAINER #SP17815	47004012
81600121	FRT EXT ARM T780935 CURRENT	81600098
81600144	HEATER CORE	81600781
81600196	DRIVER SHOULDER BELT&HDW KIT	005667201
81603300	DOOR COMPLETE L/S MC	81600368
81603301	DOOR COMPLETE R/S MC	81600367
81682001	AMBIENT NON SKID	81600340
81689004	BMPR BACK STRUCTURE FRONT	85689004
81689005	BUMPER BACK STRUCTURE REAR	85689005
81689008	BUMPER TIRE DEFLECTOR PLATE	Not sold separately
81690005	LAMP ASM, FRONT TURN/PARK	85690301
81692021	PADDLE LOCK	81692065
81693025	BLKHD DOOR LOCK	85693025
81693044	ROTARY LATCH LH S251XXRX2NXX	85693044
81693045	ROTARY LATCH RH S251XXLX2NXX	85693045
81693053	OUTSIDE HANDLE #S320BSXXCEXX	85693053
81696005	TEE W/S WASHER UNITED TECH	1101694
81696010	W/S WASHER RESERVOIR W/PUMP	47004137
81697004	WIPER DRIVE LINKAGE 25 9/16"LG	47004142
81697029	W/S WPR PIVOT SHAFT ASM	47004136
81720810	NUT LOCK HEX ZP.25-20	1117310
85608307	ASSEMBLY, Reinforcement Plate (Includes Item #6, 10)	Not Available
85613041	PLATE, Cover, Send Unit	85613077
85616008	UNDCD WSHLD WSHR TK SUPT BKT	05616100
85673002	TAPE PVC 1.5"DIELECTRIC BLK 100'	1118101
85682010	SEALANT CHEMREX CX-26 STD WHT	41002032
85685038	ELECTRONIC FLASHER - TRIDON	15504673
85694008	DRIVER SEAT BELT&HDW KIT (LLV)	005667202
85694033	SEAT BELT HARDWARE KIT (LLV)	005667200
85696009	HOSE .188 ID W/S WASHER	1107122
85697028	W/S Wiper motor w/drive arm	47004143
85743018	SEAT BELT HARDWARE KIT (LLV)	005667200
85743111	SCR MACH TRHD PH SS.25-20X .62	1117857
85780001	RIVET #5 AL BR HD .188 X .312	1117351
85780002	RIVET #6 AL BR HD .188 X .375	1117353
85780003	RIVET #7 AL BR HD .188 X .438	1117355
85780004	RIVET #8 AL BR HD .188 X .500	1117357
85780005	RIVET #9 AL BR HD .188 X .562	1117359
85780008	RIVET #10 AL BR HD .188 X .625	1117361
85780009	RIVET #12 AL BR HD .188 X .750	1117365
85780104	RIVET AL FL HD .188 X .500	1117438
85780105	RIVET AL FL HD .188 X .375	1117434
85780802	RIVET AL BR HD .250 X .375	40200025
85780803	RIVET AL BR HD .250 X .438	1117072
85780804	RIVET AL BR HD .250 X .500	1117380
85780805	RIVET AL BR HD .250 X .562	1117385
85786302	HX RVNTZPSST10-32 X.010.085	85786010
85790103	HOSE HEATER HI TEMP .62ID X FT	44001004
85793803	PLUG HOLE HEYCO#DP-500	1111520
ADDED	BOLT HEX HD CP .250-20 X 1.750	85743022

<b>NOTES:</b>	We do not supply -----	Not Available
	ATT -----	At This Time
	Original not available Discontinued -----	Obsolete

# CORRECT RIVET INSTALLATION CONDITION



Length of rivet to be used is determined by total material thickness plus 1/4 to achieve these dimensions.

# MAXIMUM ALLOWABLE INSTALLATION CONDITION

## Typical Defect:

**Gapped Head**- Maximum allowable shank condition between rivet head and surface material shall not exceed .005.

**Dimpling**- Maximum dimpling of material at rivet shall be .016 depression.

**Shanked Material**- Maximum allowable gapping of material at rivet locations shall not exceed .010.

**Flared/Cut Rivet Head**- Not allowable.

**Cracks in Rivet Tail**- Not allowable.

**Oversize Hole**- Not allowable. (might have to go to next size fastener)

