

**UNITED STATES POSTAL SERVICE**  
**2- TON DELIVERY TRUCK**  
**PARTS CATALOG**



**MORGAN**  
**★ OLSON®**

**1801 S. Nottawa Street**

**Sturgis, MI 49091**

**Phone 800-233-4823**

**Fax (616-659-0499)**

**[www.morganolson.com](http://www.morganolson.com)**

**[www.morganolsonparts.com](http://www.morganolsonparts.com)**

P/N 43004534

REV3 Updated 10.20.2021

**THIS PARTS CATALOG IS NOT FOR USE WITH PILOT VEHICLES**

**PILOT VEHICLES  
UNIT #s; 6530001, 6530002, 6530003, 6530004 AND 6530006**

**Please refer to the  
Parts Catalog for Pilot Vehicles  
available for download at [www.morganolsonparts.com](http://www.morganolsonparts.com)**

---

---

---

---

---

---

---

---

---

---

---

---

---

---

---

---

---

---

---

---

---

---

---

---

---

---

---

---

---

---

TABLE OF CONTENTS	4
INTRODUCTION	5
CAB - WINDSHIELD - ENGINE BOX	6-7
STEPS - ENGINE BOX INSULATION	8-9
HEATER - DEFROSTER	10-11
HOOD	12-13
INSTRUMENT PANEL & SEATS	14-15
FLOOR	16-17
SIDES	18-19
ROOF	20-21
BACK	22-23
BULKHEAD	24-25
SIDE DOORS	26-27
SIDE DOOR POCKETS	28-29
ROLL UP DOOR	30-35
SHELVING / CARGO CONTROL	36-37
BUMPERS	38-39
MIRRORS & WIPER ASSEMBLY	40-42
LOCKS & KEYLESS SYSTEMS	43
LIFTGATE	44-45
MISCELLANEOUS	46-47
ELECTRICAL	48-49
WIRING DIAGRAMS	50-67
A/C FARMOUT KIT 2011-2015 FORD E350	68

This parts guide contains illustrations and part numbers for United States Postal Service Package Delivery Production Vehicles produced from 2015 to 2018.  
**FOR PILOT VEHICLES, PLEASE USE PARTS CATALOG FOR PILOT VEHICLES (PILOT VEHICLE UNIT #S; 6530001, 6530002, 6530003, 6530004 AND 6530006)**

This book has been divided into chapters. Each chapter has illustrations with part numbers and descriptions. Each part is pointed out to help identify it. Orientation references are from the rear of the vehicle facing forward. LH (LEFT HAND) is ROADSIDE and RH (RIGHT HAND) is CURBSIDE. Items listed as "Installations" include all fasteners and parts required for completion. Items listed as "Assemblies" include the parts but do not include the common fasteners; nuts, bolts, rivets and washers, required for completion.

#### Procedure to Order Parts

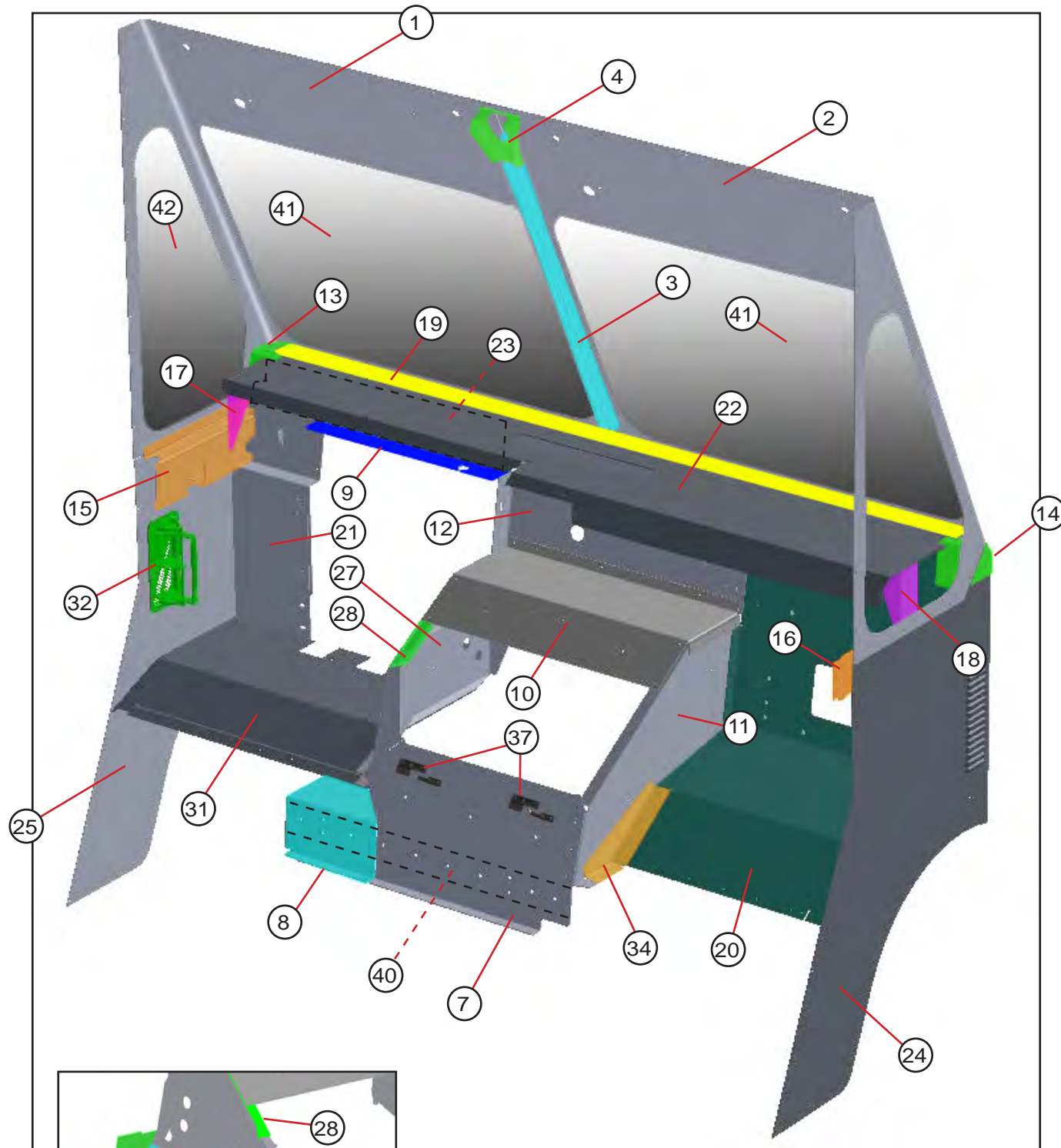
1. Depending on the part desired, turn to the appropriate section.
  2. Locate the desired part on the Illustration Page(s) and note it's number.
  3. Contact a Morgan Olson Service Parts Representative. Have part numbers readily available.
  4. When placing orders, specify serial numbers.
- Parts are also available from our parts website at [www.morganolsonparts.com](http://www.morganolsonparts.com).

FOR WARRANTY INFORMATION CALL 1-800-262-3437

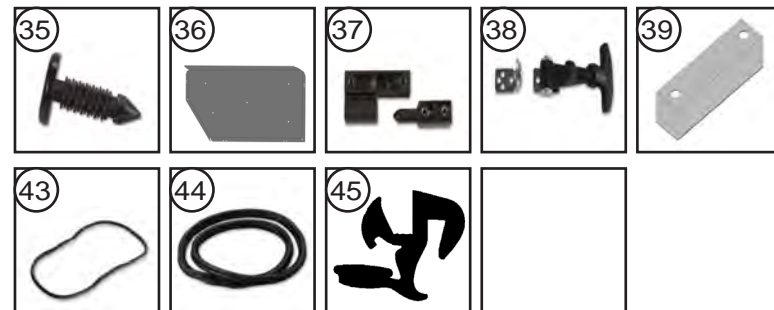
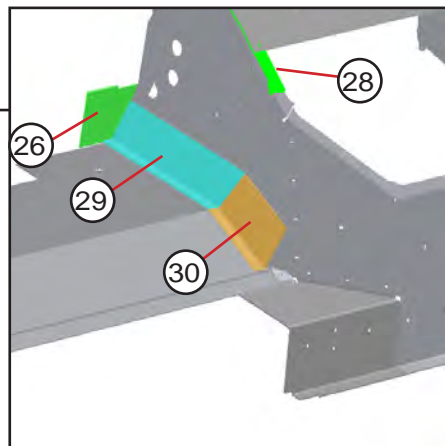
ANY QUESTIONS OR CONCERNS SHOULD BE DIRECTED TO YOUR SERVICE PARTS REPRESENTATIVE AT  
 1-800-233-4823

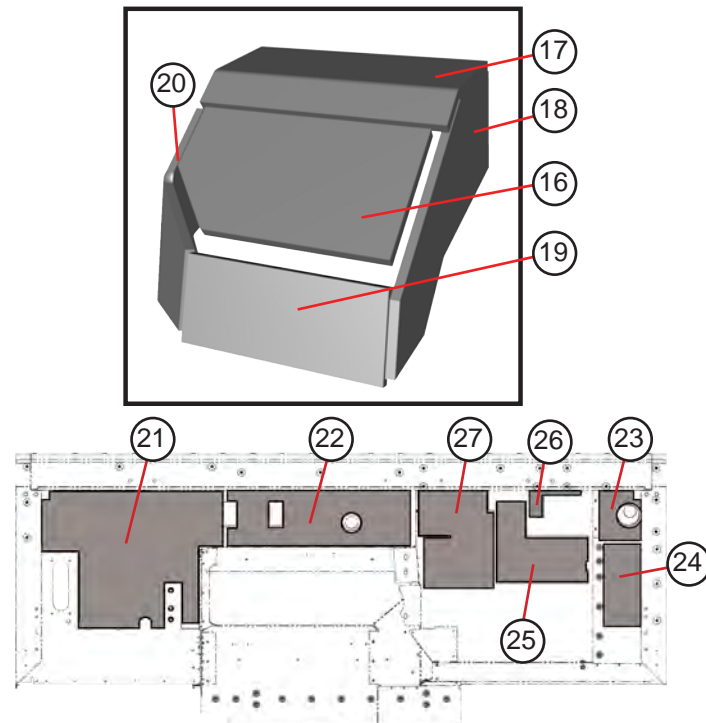
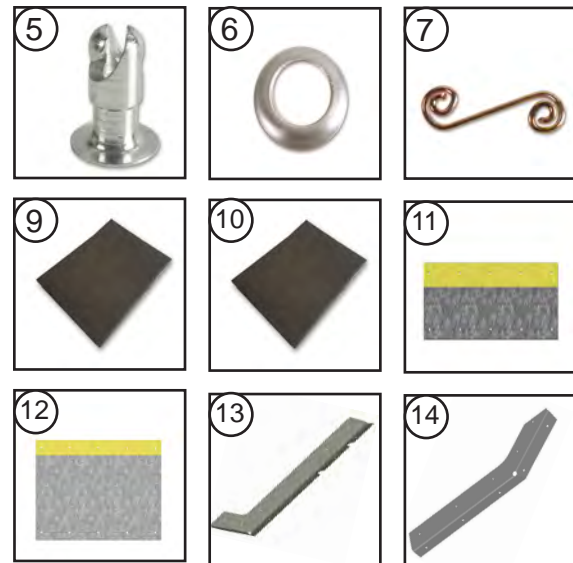
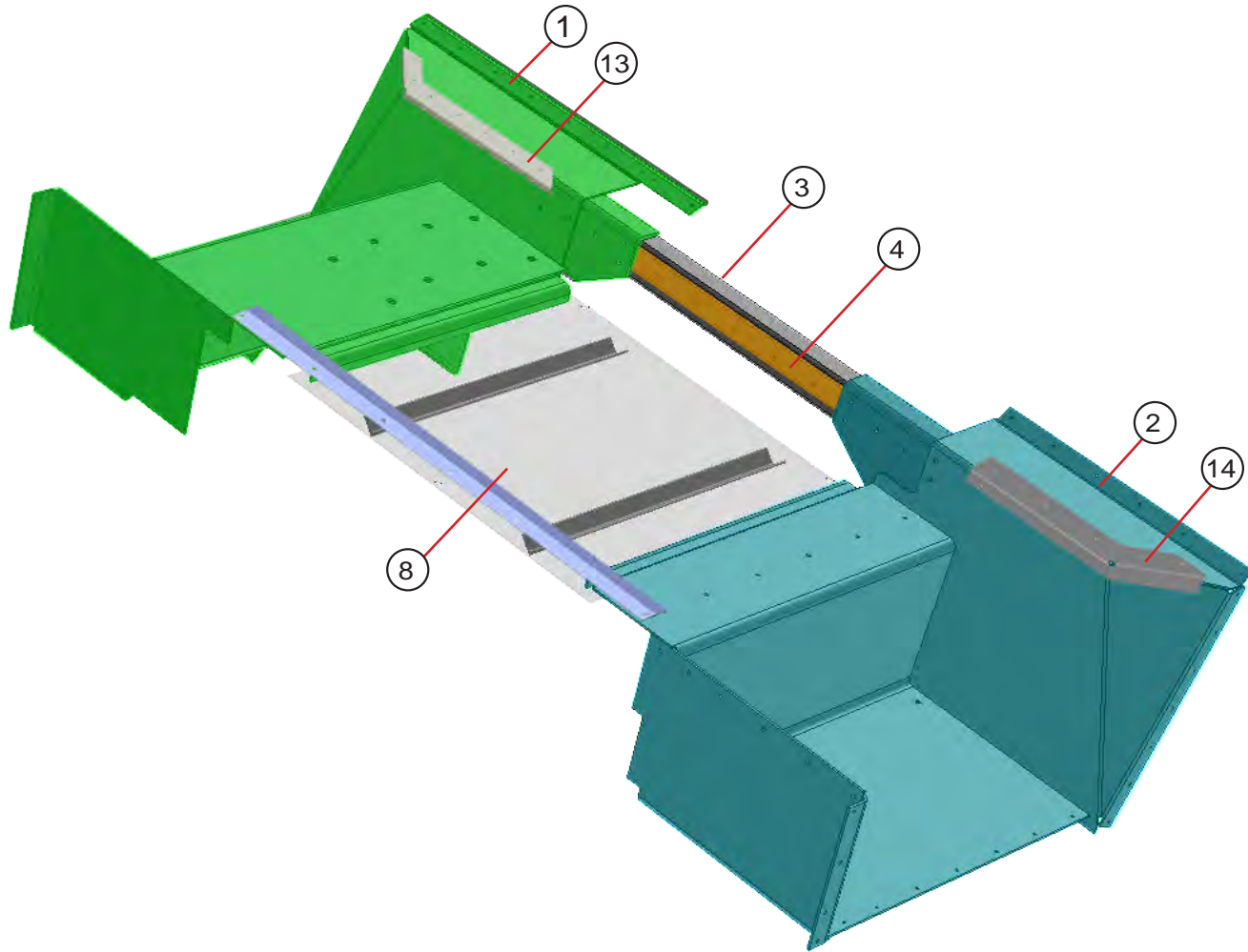
At Morgan Olson, our quest for quality and safety is ongoing and therefore the specifications on the product described herein may vary over time. Please contact Morgan Olson for the latest product information and available safety features and options.

Latest version of all USPS 2 TON documents available at;  
[www.morganolsonparts.com](http://www.morganolsonparts.com)  
<https://www.morganolsonparts.com/parts-catalogs/usps>



ITEM #	PART #	DESCRIPTION	QTY.	UNIT
1	157055401	FRAME W/S AL .102X49.72X67.29 LH	1	EA
2	157055400	FRAME W/S AL .102X49.72X67.58 RH	1	EA
3	077055400	POST W/S CENTER AL 450540X40	1	EA
4	077055402	GUSSET FRAME W/S AL .125X6.49X7.27	1	EA
7	155005411	ENGINE BOX SADDLE AL .102X15.61X23.8	1	EA
8	155005416	ENGINE BOX SADDLE FILLER AL .102X12.8X13.78	1	EA
9	155005409	UPPER DASH WALL AL .125X4.57X23.75 LH	1	EA
10	095005437	ENGINE BOX TOP AL .102X15.68X30.51	1	EA
11	155005418	ENGINE BOX PANEL AL .125X21.52X29.91 RH	1	EA
12	155005414	DASH WALL CENTER AL .102X14.85X31.69	1	EA
13	8502000	CORNER AL CAST W/S LH	1	EA
14	8502001	CORNER AL CAST W/S RH	1	EA
15	157005401	STIFFENER W/S AL .125X12.07X17.69 LH	1	EA
16	157005402	STIFFENER W/S AL .125X12.07X17.69 RH	1	EA
17	083005418	SUPPORTT RAIL W/S AL.102X5.74X8.27 LH	1	EA
18	083005419	SUPPORT RAIL W/S AL.102X5.74X8.27 RH	1	EA
19	083023401	RAIL W/S 88W AL 851100X84	1	EA
20	155005417	TOE BOARD AL .102X30.38X47.75 RH	1	EA
21	155005410	DASH WALL OUTER AL .102X11.01X28.25	1	EA
22	155005403	SHELF CAB AL.125X15.93X84	1	EA
23	095005430	DASH WALL UPPER AL.102X7.36X33.76 LH	1	EA
24	155005402	CAB SKIRT AL.07X40.6X45.91 RH	1	EA
25	155005404	CAB SKIRT AL .07X40.6X45.91 LH	1	EA
26	157005403	CLOSURE CAB AL.07X4.67X6.6	1	EA
27	155005412	PANEL ENGINE BOX AL .102X19.94X32.53 LH	1	EA
28	155005415	PANEL ENGINE BOX AL .102X2.59X11.82	1	EA
29	115005450	ADAPTOR E/BX AL.102X4.36X13.39	1	EA
30	155005419	ADAPTOR E/BX AL.102X4.44X8.88	1	EA
31	155005400	TOEBOARD AL.102X21.03X34.05 LH	1	EA
32	47008545	VENT AL 2WAY HNGLS	1	EA
33	47008548	GASKET FOR SALEM VENT	1	EA
34	077050406	GUSSET TOEBOARD AL .125X5.33X14.88 RH	1	EA
35	47006630	CLIP PLS RND/HD 1.32-1.34	10	EA
36	105028400	LID ENGINE BOX AL.102X18.58X32.44	1	EA
37	47007859	HINGE OFFSET	2	EA
38	1113336	LATCH ENGINE BOX	2	EA
39	117028400	SHIM ENGINE BOX	2	EA
40	077050402	SHIM AL .25X1.62X20.8	1	EA
41	005756400	GLASS W/S FRT 31.29X41.54	2	EA
42	083056401	GLASS 81H TRI 30 DEG	2	EA
43	44004304	WEATHER STRIP GLASS X142.5	2	EA
44	44004305	WEATHER STRIP GLASS X85.5	2	EA
45	N/A	PROFILE VIEW OF WEATHER STRIP		
NS	1107270	SEAL TRIM ENGINE BOX LID	8	FT





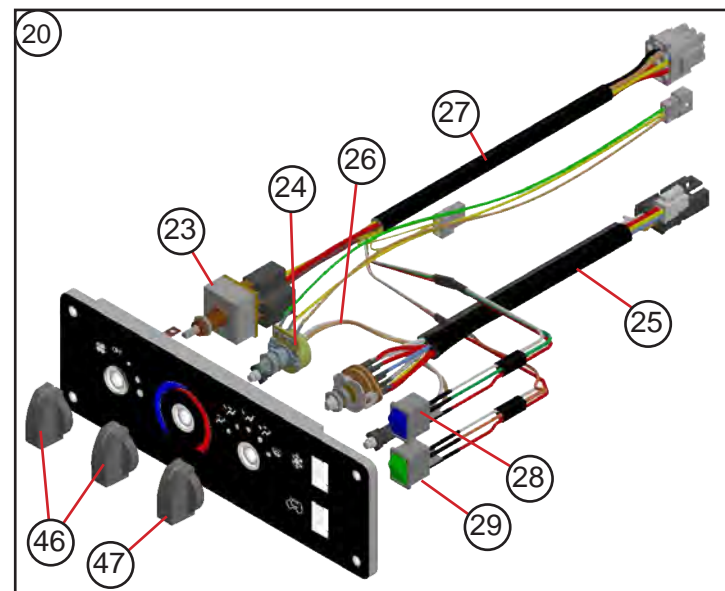
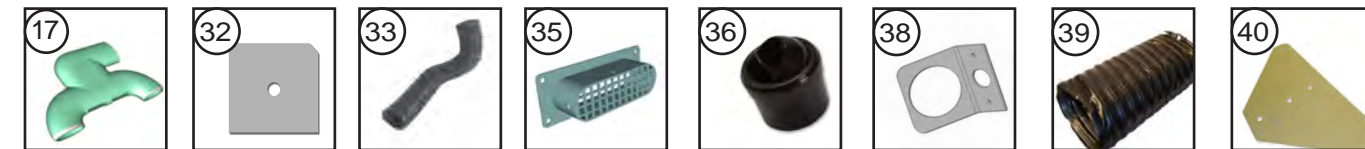
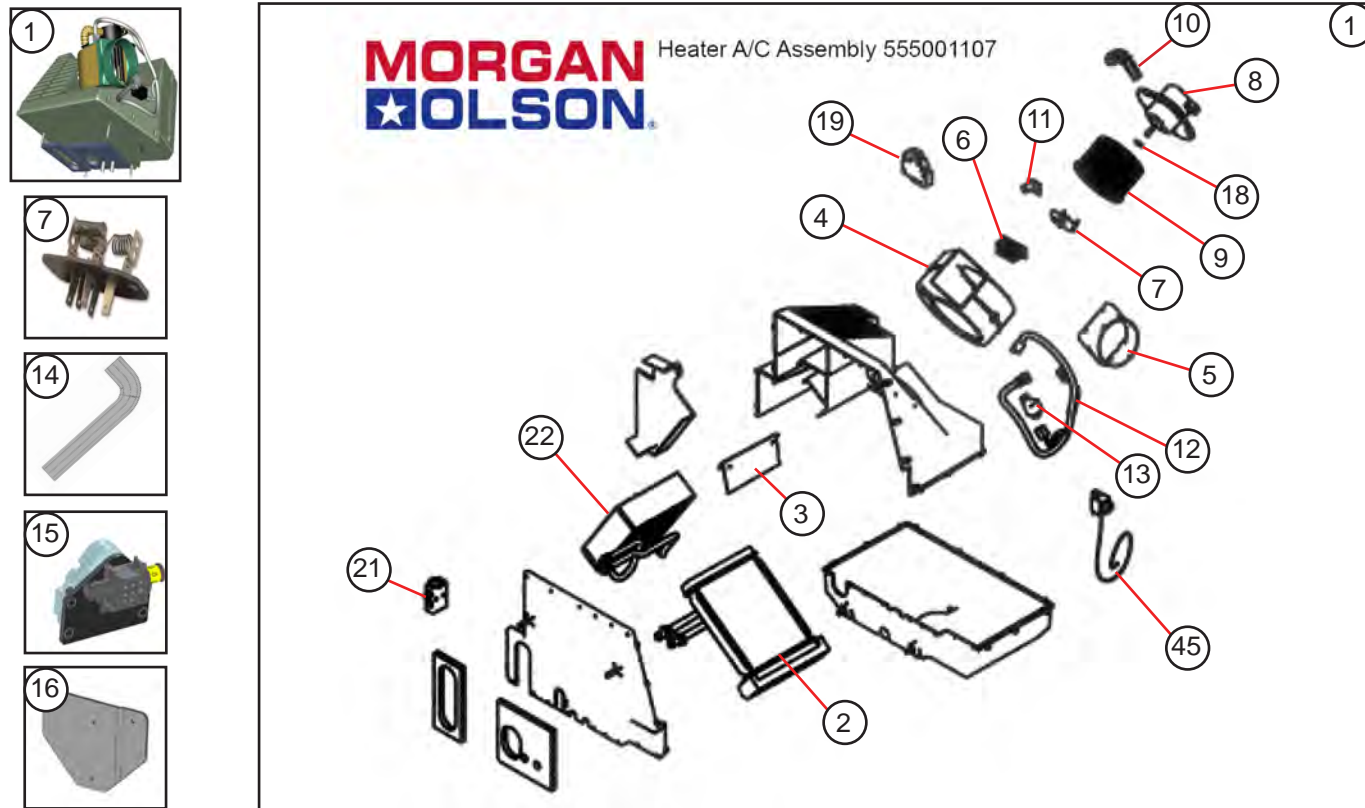
ITEM #	PART #	DESCRIPTION	QTY.	UNIT
1	155024216	STEP ASSEMBLY LH 88W	1	EA
2	155024217	STEP ASSEMBLY RH 88W	1	EA
3	077240400	CROSS MEMBER CENTER AL 456106X41	1	EA
4	077050402	SHIM AL .25X1.62X20.8	1	EA
5	40900080	STUD	7	EA
6	40900081	GROM HALF	7	EA
7	40900082	SPRING	7	EA
8	095024260	FLOOR TRANSVERSE WELDMENT	1	EA
9	42002510	INSULATION SOUND ABSRB FLOORMAT LH	1	EA
10	42002511	INSULATION SOUND ABSRB FLOORMAT RH	1	EA
11	45200358	ANTI SLIP TREAD FIBERGLASS LH .125X7.5X24	1	EA
12	45200374	ANTI SLIP TREAD FIBERGLASS RH .125X13.84X24	1	EA
13	157019400	TRIM TOEBOARD ALD .08X7.32X39.52 LH	1	EA
14	157019401	TRIM TOEBOARD ALD .08X7.54X23.87 RH	1	EA
NS	41002103	SEALANT/ADHESIVE	2	EA

**ENGINE BOX INSULATION**

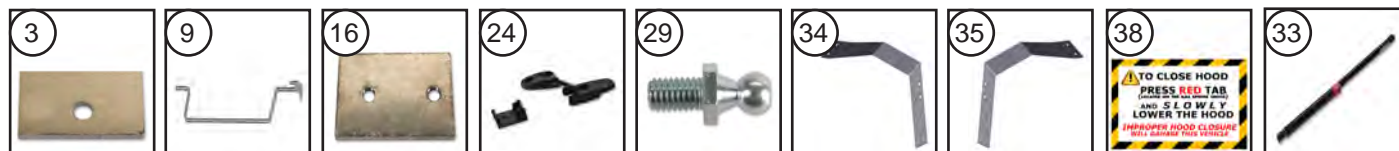
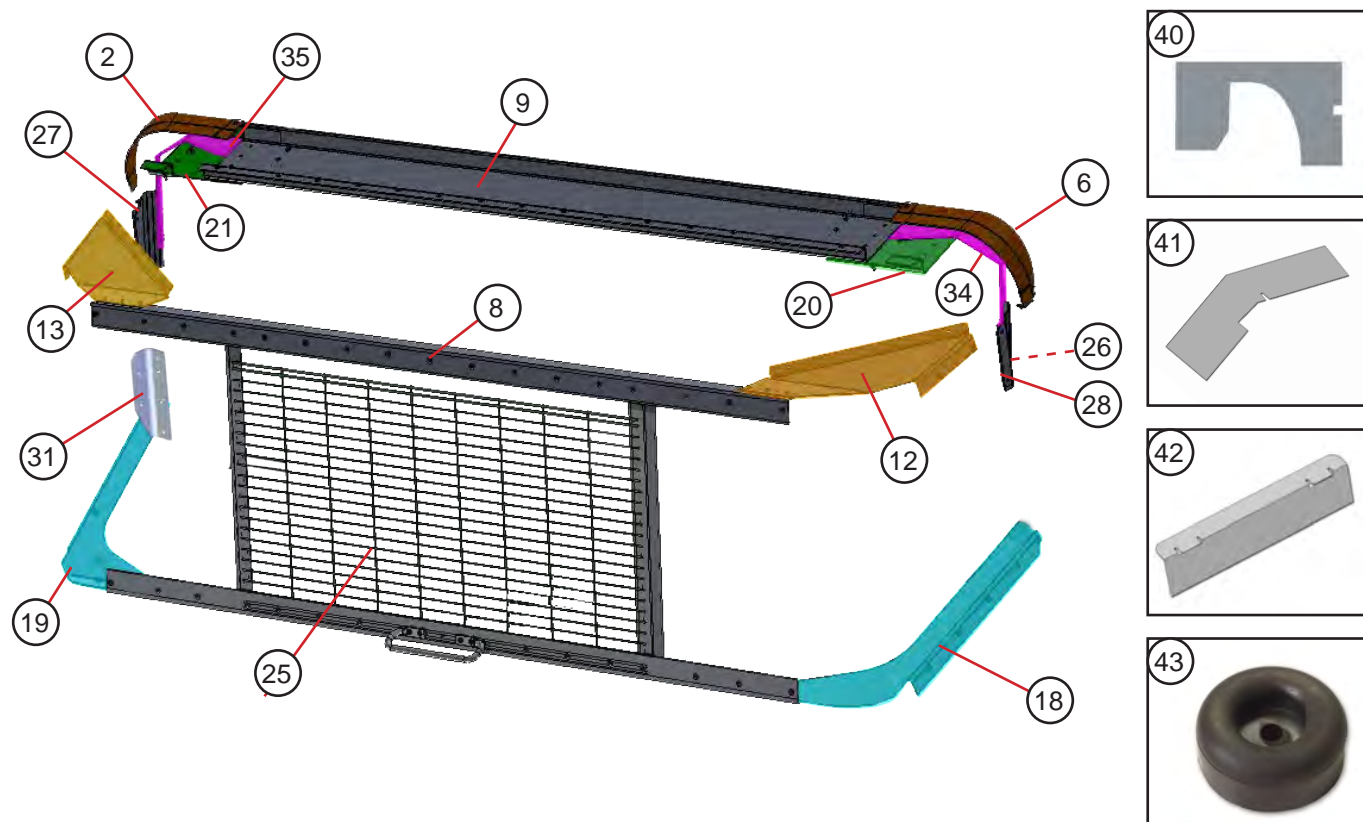
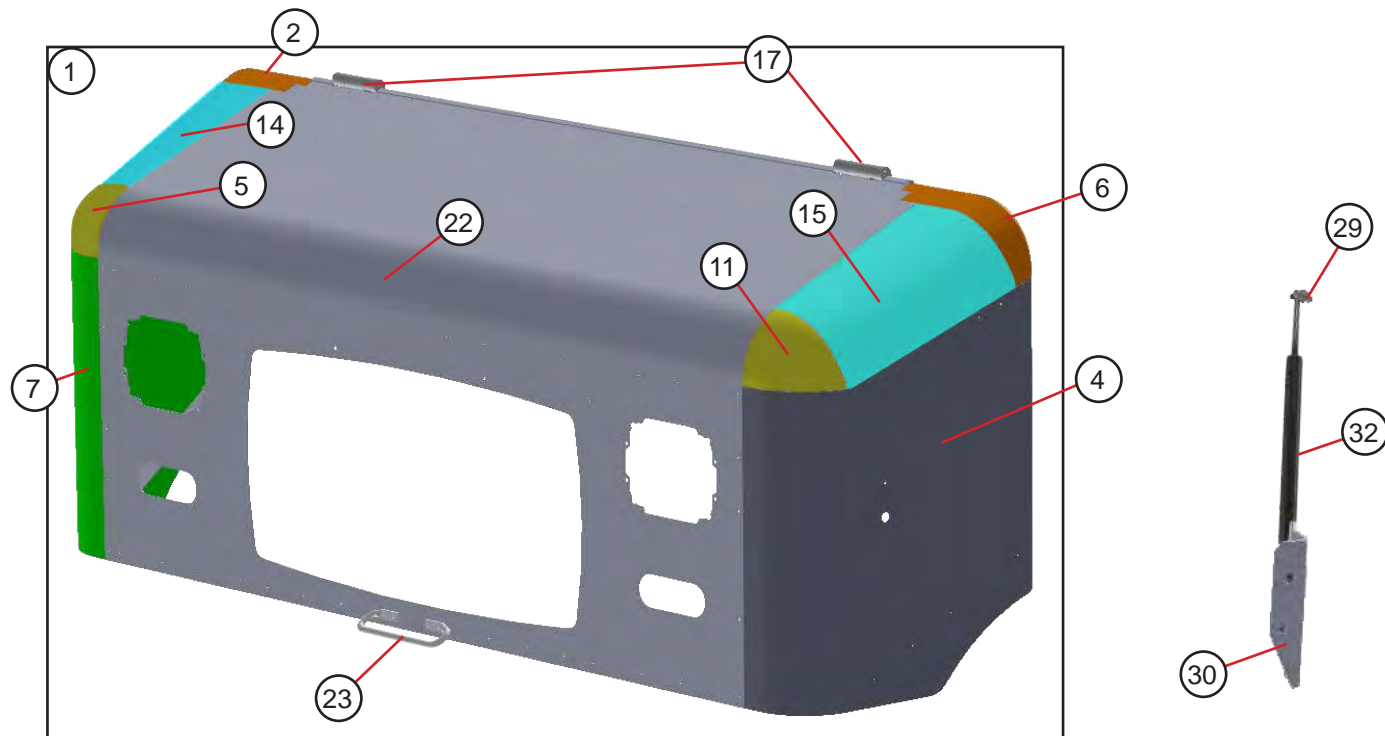
16	188028404	INSULATION E/BX 42002056X16X30.44	1	EA
17	095005455	INSULATION E/BX PSA 1X12.18X28.34	1	EA
18	093005405	INSULATION E/BX PSA 1X17.56X27.46 RH	1	EA
19	105005458	INSULATION E/BX SDL 42002056X7X21.5	1	EA
20	105005456	INSULATION E/BX 42002056X17.44X27.32	1	EA

**ACOUSTIC / COWL INSULATION**

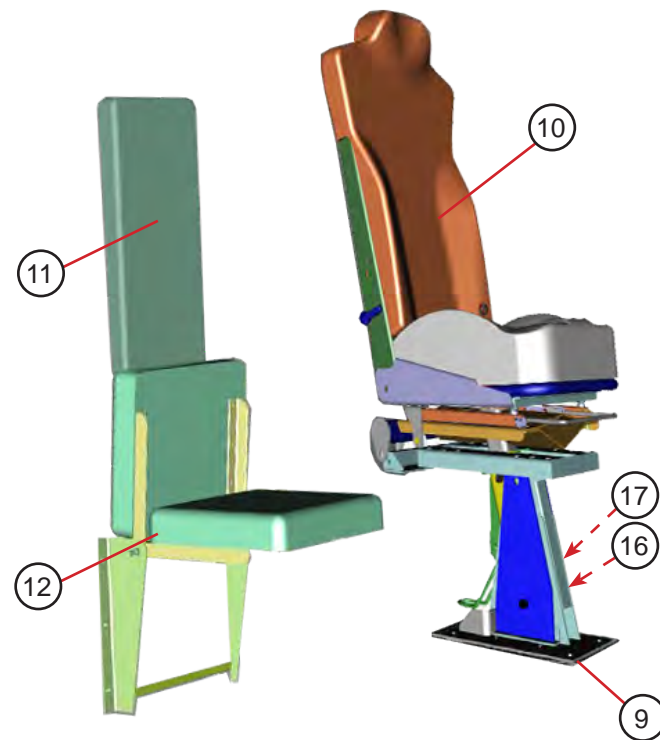
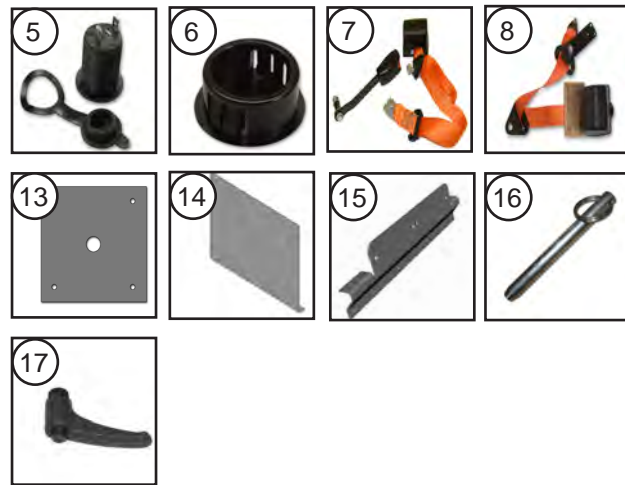
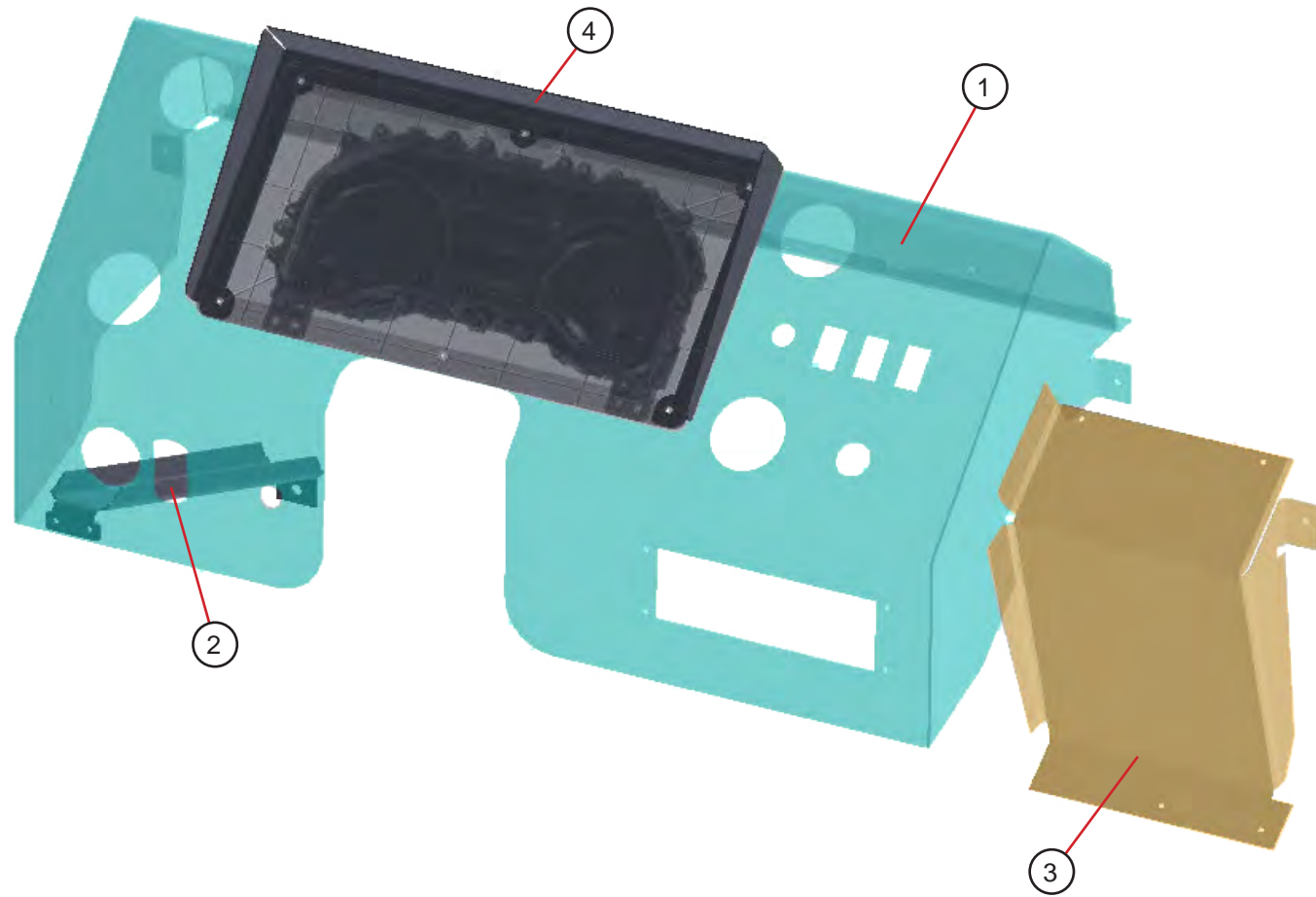
21	155116400	ACSTL COWL 42002056X22.99X27.92	1	EA
22	155116401	ACSTL COWL 42002056X11.81X25.31	1	EA
23	155116402	ACSTL COWL 42002056X11X34.44	1	EA
24	155116403	ACSTL COWL 42002056X10X11.75	1	EA
25	155116405	ACSTL COWL INSULATION RH SI 88W FD	1	EA
26	155116406	ACSTL COWL INSULATION RH SI 88W FD	1	EA
27	155116407	ACSTL COWL INSULATION RH SI 88W FD	1	EA



ITEM #	PART #	DESCRIPTION	QTY	UNIT
1	555001107	HEATER ASSEMBLY	1	EA
2	47008760	HEATER COIL W/GASKET & CLAMP	1	EA
3	47008753	DOOR W/SEAL	1	EA
4	47008754	BLOWER HOUSING	1	EA
5	47008755	BLOWER ADAPTER	1	EA
6	47008732	RESISTER CAGE	1	EA
7	47008460	RESISTER	1	EA
8	46032340	BLOWER MOTOR (WITH HARNESS)	1	EA
9	47008769	BLOWER WHEEL	1	EA
10	47008730	VENT TUBE	1	EA
11	47008731	VENT TUBE ADAPTOR	1	EA
12	47008716	RELAY	1	EA
13	47008768	HARNESS	1	EA
14	47008580	FORMED HEATER HOSE	2	EA
15	555002055	VALVE WATER	1	EA
16	105080401	PLATE MOUNTING FOOT DUMP AL .07X4.25X5.53	1	EA
17	090080401	DUCT FT DUMP SPCL	1	EA
18	47008799	RETAINER CLIP - BLOWER MOTOR	1	EA
19	47008705	SERVO MOTOR - A/C DOOR	1	EA
20	555001416	CONTROL PANEL ASSEMBLY	1	EA
21	47008138	EXPANSION VALVE	1	EA
22	47008763	EVAPORATOR COIL ASSEMBLY	1	EA
23	46023202	SWITCH - BLOWER SPEED	1	EA
24	47008710	SWITCH POTENTIOMETER - TEMPERATURE CONTROL	1	EA
25	47008774	SWITCH - MODE SELECTOR	1	EA
26	47008711	HARNESS ILLUMINATION	1	EA
27	47008778	HARNESS - SPEED CONTROL SWITCH	1	EA
28	47008775	ROCKER SWITCH BLUE (AC)	1	EA
29	47008776	ROCKER SWITCH GREEN	1	EA
30	555001721	DEFROST DUCT CURBSIDE METAL	1	EA
31	555001722	DEFROST DUCT ROADSIDE METAL	1	EA
32	093080400	HOLD DOWN PLATE DEFROSTER DUCTS	4	EA
33	555001524	HOSE DEFROSTER 2.5X30	1	EA
34	555001525	HOSE DEFROSTER 2.5X38 (2x DEFROSTER / 1xFOOT DUMP)	3	EA
35	555002003	COLLER FRESH AIR INTAKE	1	EA
36	555001715	LUVER BALL	6	EA
37	555002007	PLENUM FRESH AIR SIDE WALL (DRAIN HOSE - 555002008)	1	EA
38	107027405	BRACKET HEATER VENT	1	EA
39	555001533	HOSE BLOWER HEATER/DEFROSTER 5"X7.5"	1	EA
40	005780402	MOUNTING PLATE	1	EA
41	002080400	BRACKET HEATER CONTROL AL .102X3X11.67	1	EA
42	555001321	DUCT HVAC	1	EA
43	555001523	HOSE DEFROSTER 2.5X16	1	EA
44	47008017	CONNECTOR STRAIGHT .62ID BLACK NYLON	2	EA
45	47008615	THERMOSTAT	1	EA
46	47008706	KNOB	2	EA
47	47008777	KNOB - MODE SELECTOR SWITCH	1	EA
NS	555002164	CAP DEFROSTER PORT 2.5IN DIA. ROUND	2	EA

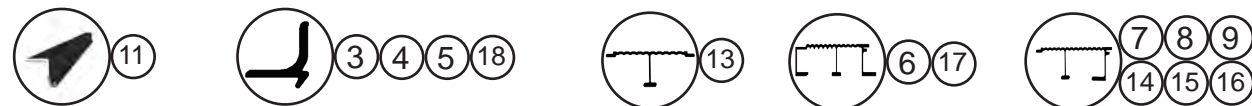
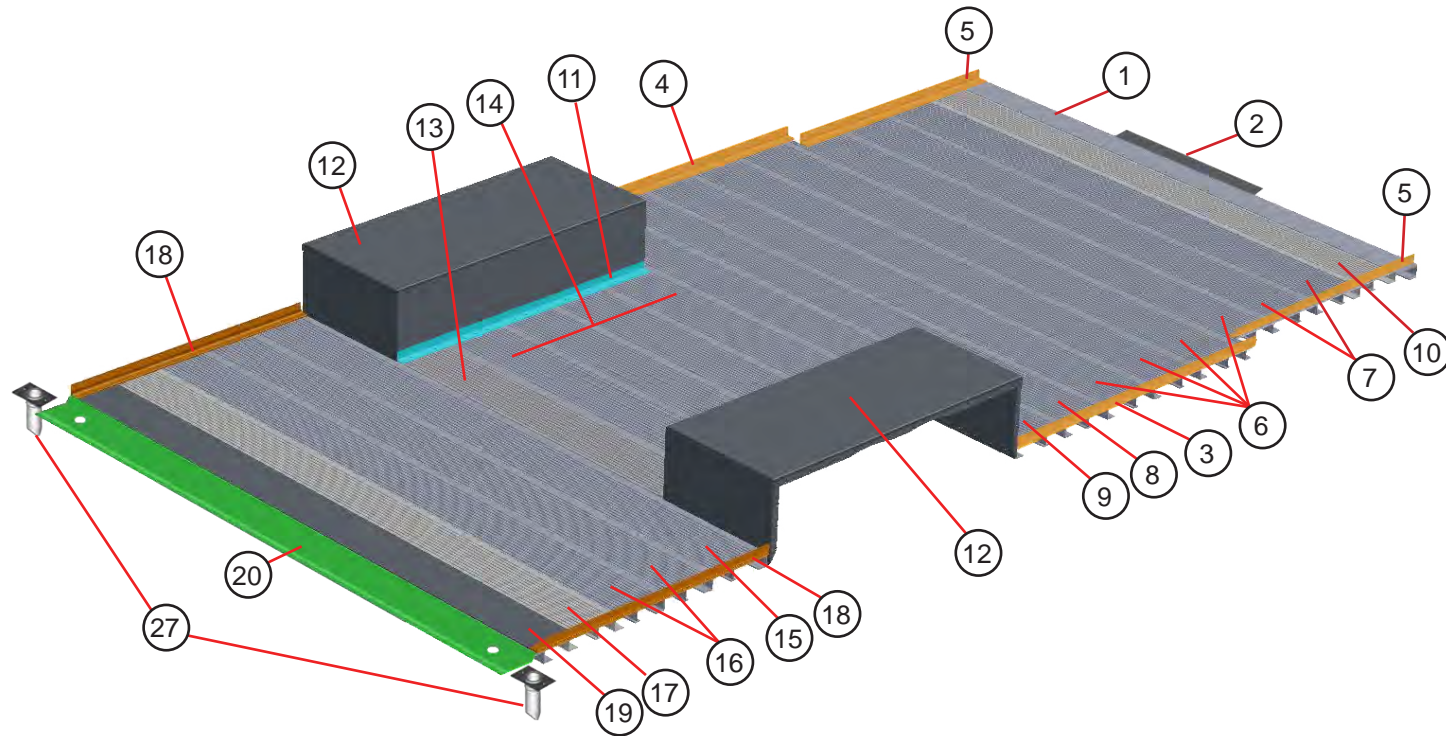


ITEM #	PART #	DESCRIPTION	QTY.	UNIT
1	155017200	HOOD ASSEMBLY AL TILT 88W FORD	1	EA
2	45100061	CAP AL COWL END AFT RH	1	EA
3	96717312	SHIM HOOD AL .125X.62X1.88	2	EA
4	095017405	SKIRT HOOD AL .07X27.89X29.9 LH	1	EA
5	45100058	CORNER AL CAST KNEE COWL FRONT RH	1	EA
6	45100060	CAP AL COWL END AFT LH	1	EA
7	095017406	SKIRT HOOD AL .07X27.89X29.9 RH	1	EA
8	095017202	GRILL SUPPORT WELDMENT HOOD 88W	1	EA
9	088017419	STIFFENER HOOD AL 450015X63.62	1	EA
11	45100057	CORNER AL CAST KNEE COWL FRONT LH	1	EA
12	95817312	GUSSET CORNER AL .07X13.52X14.72 LH	1	EA
13	95817313	GUSSET CORNER AL .07X13.52X14.72 RH	1	EA
14	095017408	COWL HOOD AL.07X15.19X17.47 RH	1	EA
15	095017407	COWL HOOD AL.07X15.19X17.47 LH	1	EA
16	91617304	PLATE TAP AL .188X2X2.69	2	EA
17	47007852	HINGE COMPLETE ASSEMBLY	2	EA
18	095017420	STIFFENER HOOD AL.102X15.92X22.83 LH	1	EA
19	095017421	STIFFENER HOOD AL.102X15.92X22.83 RH	1	EA
20	155017401	STIFFENER HOOD AL.102X11.01X15 LH	1	EA
21	155017402	STIFFENER HOOD AL.102X11.01X15 RH	1	EA
22	155017400	PANEL HOOD AL.07X48.92X69	1	EA
23	90187300	GRAB HANDLE .5DIA X15.7	1	EA
24	47000613	LATCH HOOD	2	EA
25	45700101	GRILLE WIRE MESH 20.5X38.81	1	EA
27	155017404	BRACKET HOOD AL .188X1.25X9.01 RH	1	EA
28	155017403	BRACKET HOOD AL .188X1.25X9.01 LH	1	EA
29	40900019	STUD BALL .31-18	4	EA
30	124016403	BRACKET LOWER HOOD AL.188X2.9X6.4 RH	1	EA
31	124016404	BRACKET LOWER HOOD AL.188X2.9X6.4 LH	1	EA
32	47006132	SPRING GAS NON LOCKING 140LB 28/16.5	1	EA
33	47006133	SPRING GAS 140LB W/LOCK 28/16/5	1	EA
34	124016401	BRACKET GAS SPRING AL.125X6.41X16.41	1	EA
35	124016402	BRACKET GAS SPRING AL.125X6.41X16.41	1	EA
38	43000903	HOOD PROP INSTR LABEL	1	EA
40	006526401	PANEL SPLASH SHIELD VINYL .125X19.25X51.6	2	EA
41	96380300	SHROUD A/C VNL .125X10.77X37.35	2	EA
42	155015400	BRKT HD REST STL7GAX7X28.52	1	EA
43	44002004	BUMPER HOOD REST LATCH	2	EA

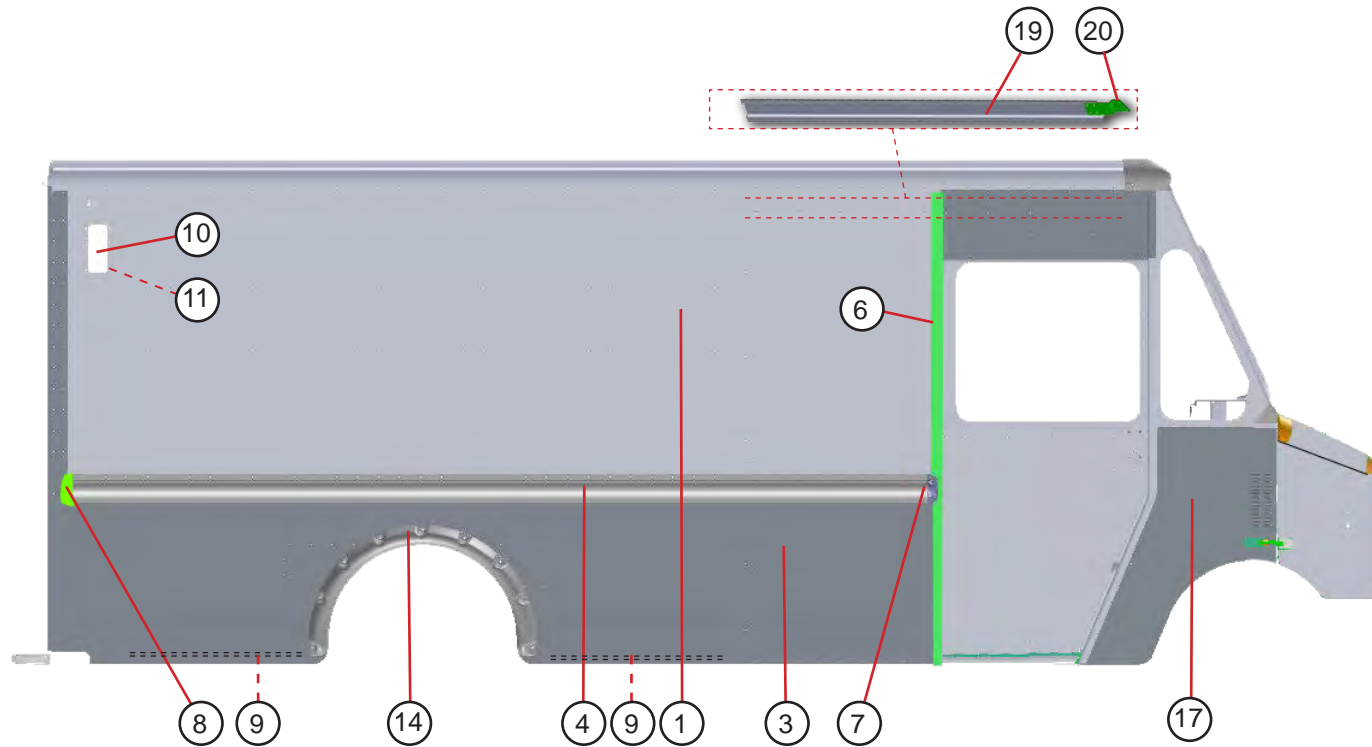
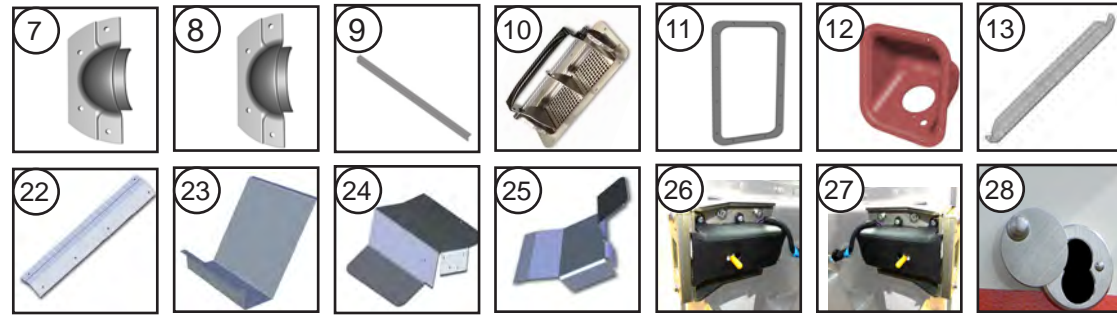
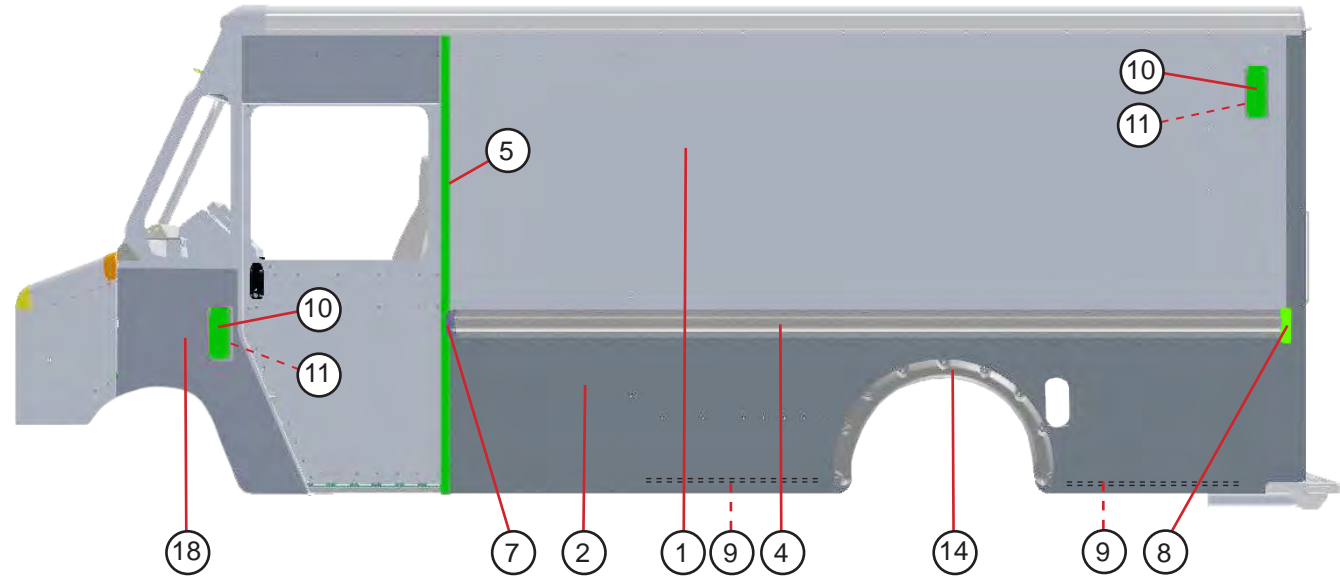


ITEM #	PART #	DESCRIPTION	QTY.	UNIT
1	155027202	INSTRUMENT PANEL WELDMENT	1	EA
2	155027409	BRACE INSTRUMENT PANEL AL.102X1.96X19.97 LH	1	EA
3	155027404	COVER HOSE SUPPORT AL .07X13.74X15.96	1	EA
4	155027411	SHROUD INSTRUMENT PANEL AL .07X3.34X36.75	1	EA
5	46026378	RECEPTICLE 12V POWER W/TETHER SS BODY	1	EA
6	1111513	PLUG HL BLACK	1	EA
<b>SEATS</b>				
7	47004366	SEAT BELT W/BOOT BLKH 3PNT OG R	1	EA
8	47007912	SEAT BELT ORANGE W/O TEATHERS	1	EA
9	47012677	SEAT SOC/PED 3POINT LH	1	EA
10	47006009	SEAT CLOTH DRIVER	1	EA
11	47002506	SEAT HEAD & BACK REST CLOTH	1	EA
12	47002507	SEAT JUMP 3POINT CLOTH	1	EA
13	95001414	DOUBLER D-LOOP AL .125X4X4	1	EA
14	155069400	PLATE BACKER AL .125X16.54X20.22	1	EA
15	005754400	BRACKET ANCHOR STEEL 7GAX7.24X25.75	1	EA
16	47011215	PIN COTTERLESS SELF-LOCK 1/2" OD X4"	1	EA
17	47011216	LEVER SEAT ADJUST	1	EA

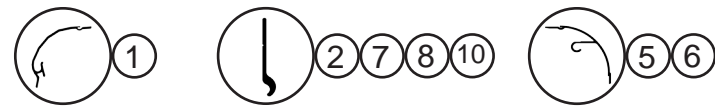
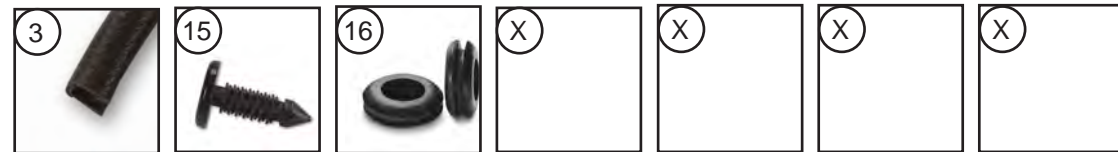
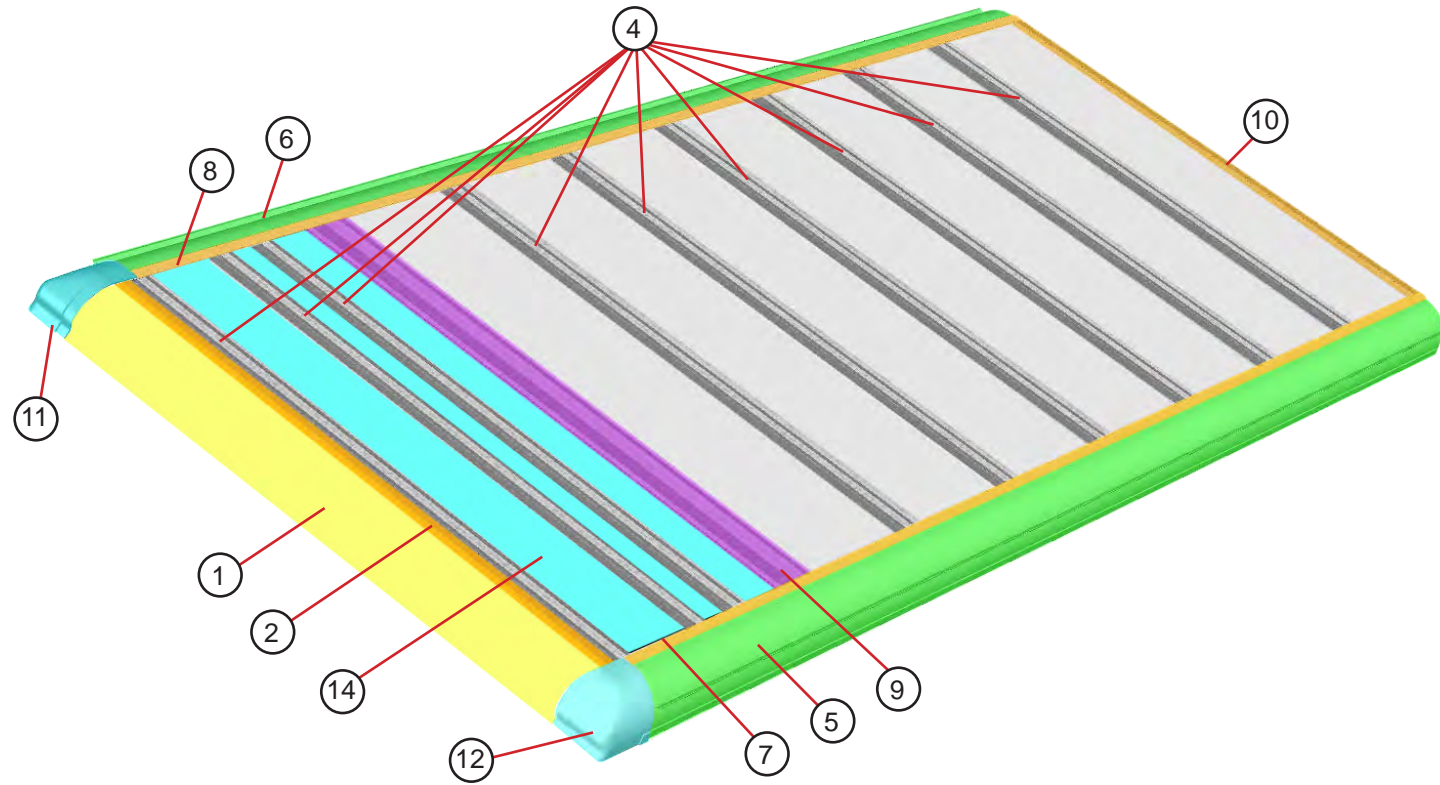




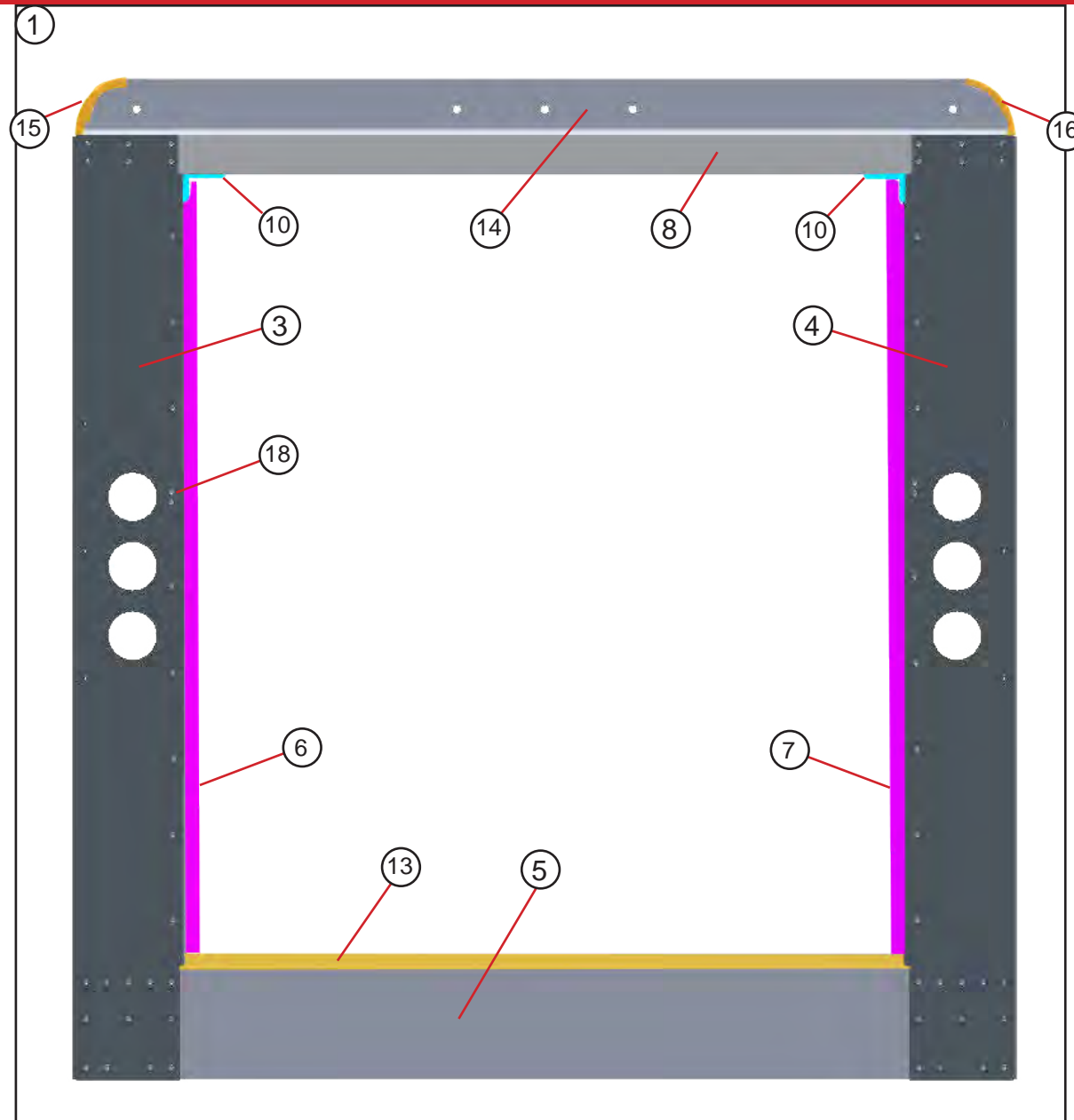
ITEM #	PART #	DESCRIPTION	QTY.	UNIT
1	137030400	BEAM @ O/LINE AL480000X81.38	1	EA
2	001730416	ANGLE STEP AL450187X33.38	1	EA
3	095031419	ANGLE FLOOR 2DR ALE450303X45.75 RH	1	EA
4	095031416	ANGLE FLOOR 2DR ALE450303X45.75 LH	1	EA
5	155031403	ANGLE FLOOR AT DOOR POCKET ALE450303X35.75	2	EA
6	095031426	BEAM FLOOR RIB ALE450586X87.25	4	EA
7	095031434	BEAM FLOOR RIB ALE450586X81.25	2	EA
8	095031451	BEAM FLOOR RIB ALE450584X87.25	1	EA
9	095031476	BEAM FLOOR RIB ALE450587X87.25	1	EA
10	095031486	BEAM FLOOR RIB ALE450583X81.25	1	EA
11	095032425	ANGLE WHEEL BOX ALE450018X44	2	EA
12	155032202	WHEEL BOX ASSEMBLY 88W 44"	2	EA
13	155032406	BEAM FLOOR AL450585X49.26	1	EA
14	155032407	BEAM FLOOR AL450586X49.26	4	EA
15	45058700	BEAM AL FLOOR RIB M/FEM 8.5X87.25	1	EA
16	45058402	BEAM AL FLOOR RIB M/FEM 8X87.25	2	EA
17	45058301	BEAM AL FLOOR RIB FEM/LAP 7X87.25	1	EA
18	135033402	ANGLE FLOOR AL450303X38.19	2	EA
19	135033403	PLATE FILLER ALD.125X6.5X85.38	1	EA
20	087030401	DROP SILL REAR 450592X87.88	1	EA
21	095032209	DOOR ACCESS ASSEMBLY - WELDMENT	1	EA
22	40900082	SPRING	4	EA
23	40900080	STUD	8	EA
24	40900081	GROMMET HALF	8	EA
25	125012400	SUPPORT ACCESS DOOR AL.125X12.22X17.59	1	EA
26	150012400	ANGLE SUPPORT ACC AL450187X29	2	EA
27	47009530	DRAIN CHAMBER	2	EA



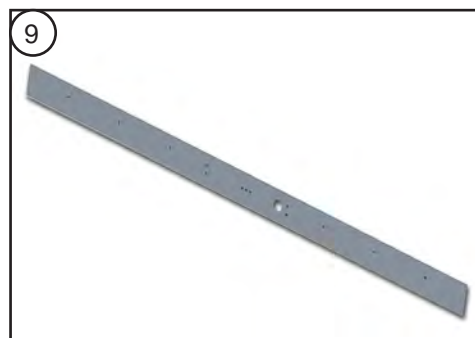
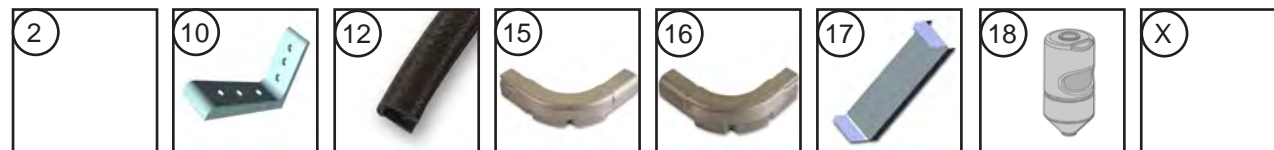
ITEM #	PART #	DESCRIPTION	QTY.	UNIT
1	157038401	SIDE UPPER AL .102X56X169.31 L/R	2	EA
2	135037415	SIDE LOWER AL .102X32X169.31 LH	1	EA
3	135037416	SIDE LOWER AL .102X32X169.31 RH	1	EA
4	135039405	RUB RAIL AL450002X162.5	2	EA
5	095038403	POST B AL450274X90.18 LH	1	EA
6	095038404	POST B AL450274X90.18 RH	1	EA
7	1100800	END CAP FORWARD AL	2	EA
8	1100800	END CAP REAR AL	2	EA
9	167037400	STIFFENER ANGLE LOWER SIDES AL 450184X34	4	EA
10	47008545	VENT AL 2 WAY HINGELESS	3	EA
11	47008548	GASKET FOR VENT	3	EA
12	PP-GF40	CUP MOUNTING FUEL FILL NECK (PROVIDED BY FORD)	1	EA
13	001744400	GUSSET STRAP AL .125X2.1X16.02	2	EA
14	44003020	FENDER FLARE	2	EA
15		BLANK		
16		BLANK		
17	155005402	CAB SKIRT AL .07X40.60X45.91 RH	1	EA
18	155005404	CAB SKIRT AL .07X40.60X45.91 LH	1	EA
19	083042401	STIFFENER HEADER AL X73.75 RH (083042400 - LH)	1	EA
20	96742302	CLIP AL ZEE .102X3X9.57	2	EA
21		Blank		
22	113026401	ADAPTOR SPLASH PAN AL .125X3.17X14.15 RH	1	EA
23		Blank		EA
24	115026406	SPLASH PAN AL.125X15.64X16.73 RH	1	EA
25	115026409	SPLASH PAN AL.125X12.33X16.49 LH	1	EA
26	46029041	LOCK KYLS ENTRY LH D/S 2015	1	EA
27	46029042	LOCK KYLS ENTRY RH D/S 2015	1	EA
NS	1113456	CYLINDER LOCK ASSEMBLY - SEE PAGE 43	2	EA
28	137147415	DUST COVER LOCK ASSEMBLY	2	EA

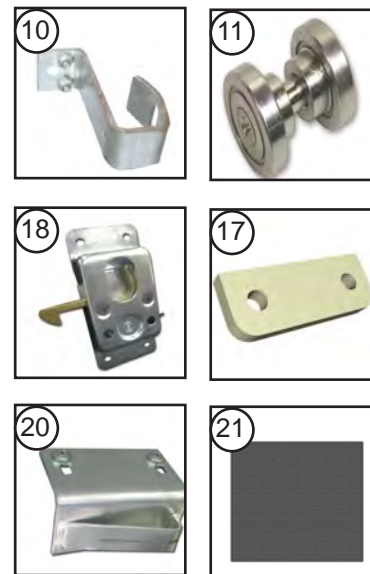
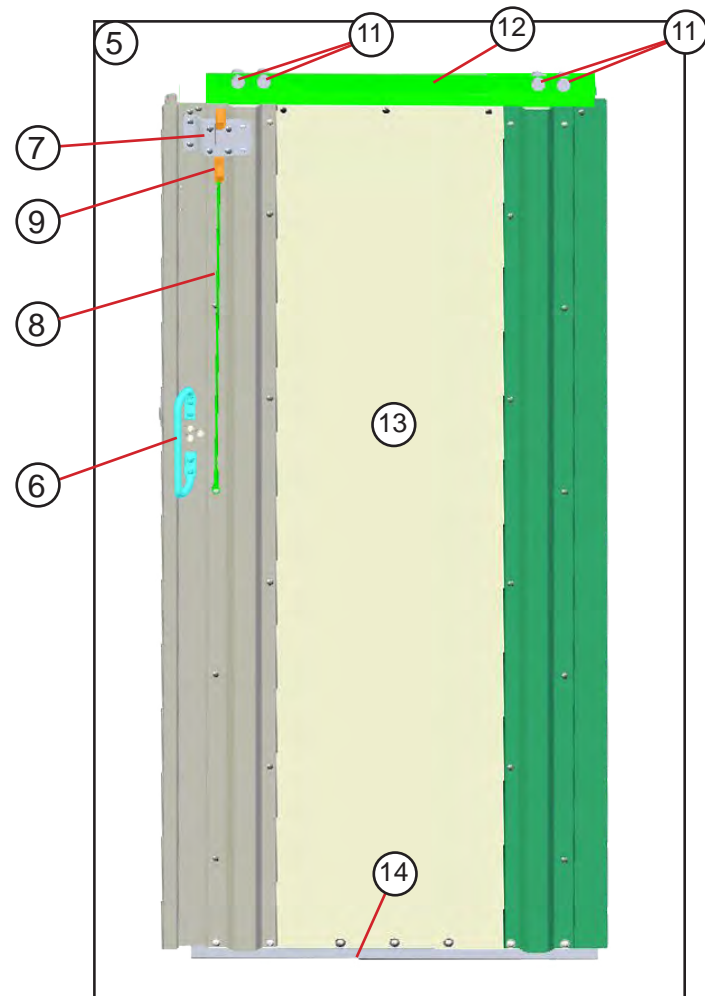
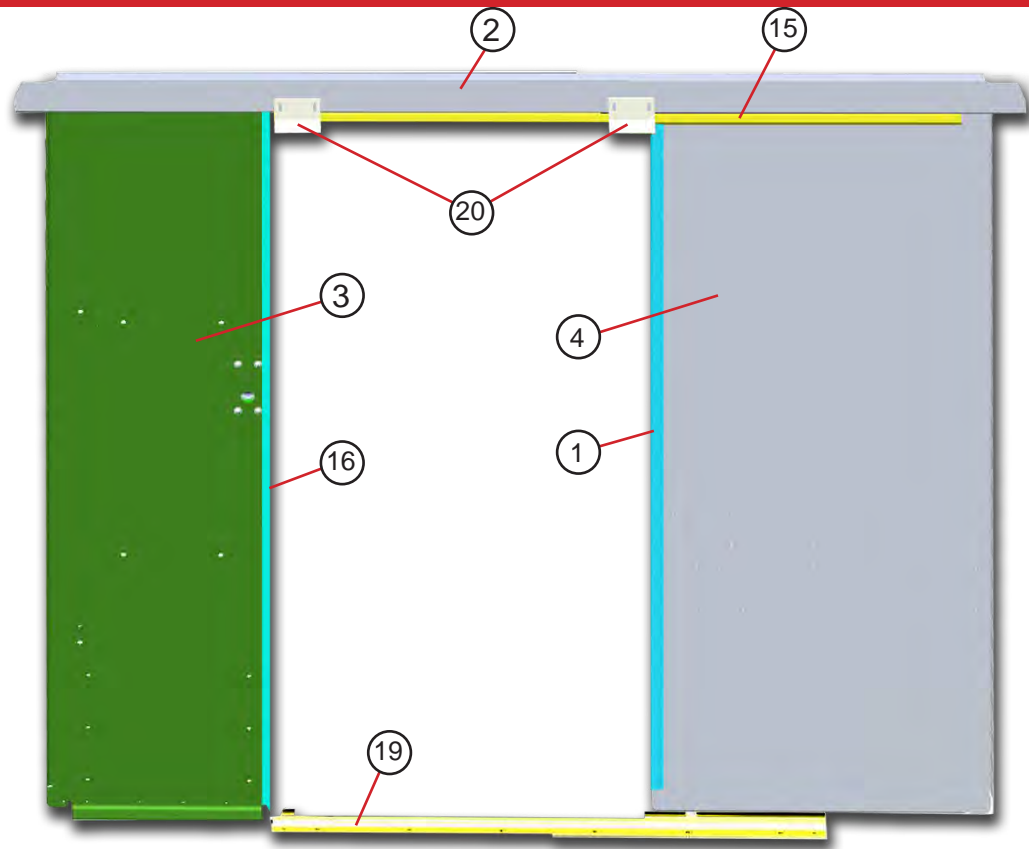


ITEM #	PART #	DESCRIPTION	QTY.	UNIT
1	083010401	NOSE ROOF AL 88WX77.5	1	EA
2	001710407	INTERLOCK NOSE ROOF AL 45014X77.38	1	EA
3	1129005	TRIM QUICKEDGE SGL LIP .12-.19	0.4	FT
4	45601604	ROOF BOW USPS SEC456016 X84.12	9	EA
5	135010401	RAIL ROOF AL 456144X205.25 LH	1	EA
6	135010402	RAIL ROOF AL 456144X205.25 RH	1	EA
7	135010403	INTERLOCK ROOF RAIL AL 450140X205.25 LH	1	EA
8	135010404	INTERLOCK ROOF RAIL AL 450140X205.25 RH	1	EA
9	001710410	ROOF BOW STEEL GALV 14GAX8.33X84.12	1	EA
10	001710408	INTERLOCK ROOF TRANSOM AL 450140X74.88	1	EA
11	077100401	CORNER AL CAST ROOF RH	1	EA
12	077100400	CORNER AL CAST ROOF LH	1	EA
NS	45200847	SKIN FIBERGLASS ROOF RISC. .075X77XFT	17.32	FT
14	42002025	LINER ROOF CAB AL .023X36.75X80	1	EA
15	47006610	CLIP PLASTIC FLAT HEAD .45HEADX.64	20	EA
16	44000052	GROMMET WIRING HARNESS .688X.125X1	3	EA

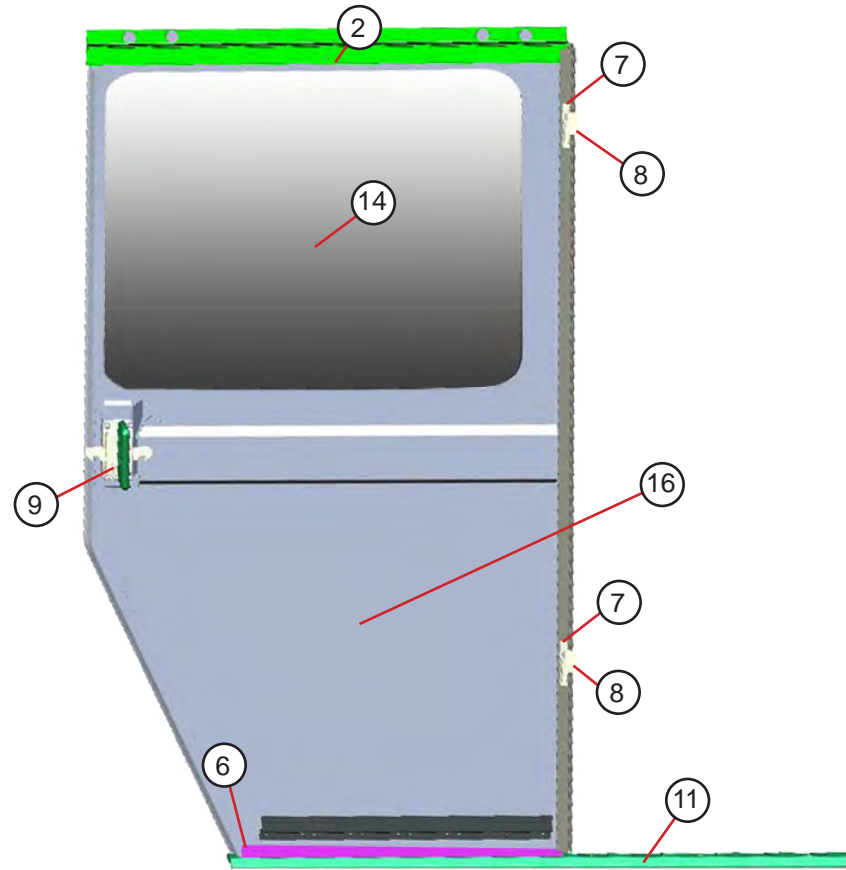


ITEM #	PART #	DESCRIPTION	QTY.	UNIT
1		<b>BACK ASSEMBLY 67" RUD USPS 88W81H</b>		
2				
3	157052402	PANEL BACK AL .125X16.05X88.5 LH (SEE NOTE BELOW)	1	EA
4	157052403	PANEL BACK AL .125X16.05X88.5 RH (SEE NOTE BELOW)	1	EA
5	45002409	SILL AL REAR USPS X87.06	1	EA
6	135052404	SUPPORT TRACK DOOR AL .125X8.46X73.23	1	EA
7	135052405	SUPPORT TRACK DOOR AL .125X8.46X73.23	1	EA
8	001750405	EXTENTION TRANSOM AL .125X7.95X84.42	1	EA
9	001750406	SHIM AL .125X3.58X68.38 LH (001750407 - RH)	1	EA
10	93181302	ANGLE CLIP HEADER AL 450198X1	2	EA
12	1129005	TRIM QUICKEDGE SGL LIP .12-.19	2	FT
13	087030401	DROP SILL REAR 450592X87.88	1	EA
14	135052406	TRANSOM AL 450352X86.62	1	EA
15	45100098	CORNER AL CAST ROOF REAR LH	1	EA
16	45100099	CORNER AL CAST ROOF REAR RH	1	EA
17	157081402	GUARD LAMPS REAR AL .102X11.13X37.95	2	EA
18	47009530	DRAIN FLOOR	1	EA
19				





ITEM #	PART #	DESCRIPTION	QTY.	UNIT
1	135070406	EDGE DOOR BULKHEAD AL450502X72.12	1	EA
2	135070404	HEADER BULKHEAD ZEE AL .102X8.9X87.41	1	EA
3	135070405	PANEL BULKHEAD AL .102X21.65X77.39 RH	1	EA
4	155070411	PANEL BULKHEAD AL .102X30.62X77.39 LH	1	EA
5	135070203	DOOR ASSEMBLY BULKHEAD USPS 2015	1	EA
6	90187300	GRAB HANDLE .5DIA X15.7	1	EA
7	92537309	PLATE MOUNTING LATCH AL .125X3X5.29	1	EA
8	1113600	CABLE BULKHEAD .125X29" BLACK VINYL	1	EA
9	1113046	LATCH FINGER PULL	1	EA
10	005770402	LATCH STRIKER STEEL 7GAX1.5X8.06	1	EA
11	47006595	BEARING SEALED	4	PR
12	157070405	PLATE HANGER WITH BRUSH SEAL	1	EA
13	155070410	PANEL DOOR BULKHEAD AL .102X26.67X73.26	1	EA
14	157070401	GUIDE DOOR WEAR STRIP PLASTIC 452002X30.76	1	EA
15	005770200	TRACK DOOR ASSEMBLY	1	EA
16	087070408	JAMB BULKHEAD DOOR AL 450326X74.37	1	EA
17	96770313	PLATE SPACER AL 450204X2.62	4	EA
18	1113457	LATCH GATE	1	EA
19	96770316	GUIDE DOOR FLOOR AL 450414X47.88	1	EA
20	001770207	STRIKER WELDMENT DOOR BULKHEAD	2	EA
21	155070412	CARPET BULKHEAD 47009600X28.5X75.75	1	EA
21	155070413	CARPET BULKHEAD 47009600X16.75X73.25	1	EA
21	155070414	CARPET BULKHEAD 47009600X19X75.75	1	EA



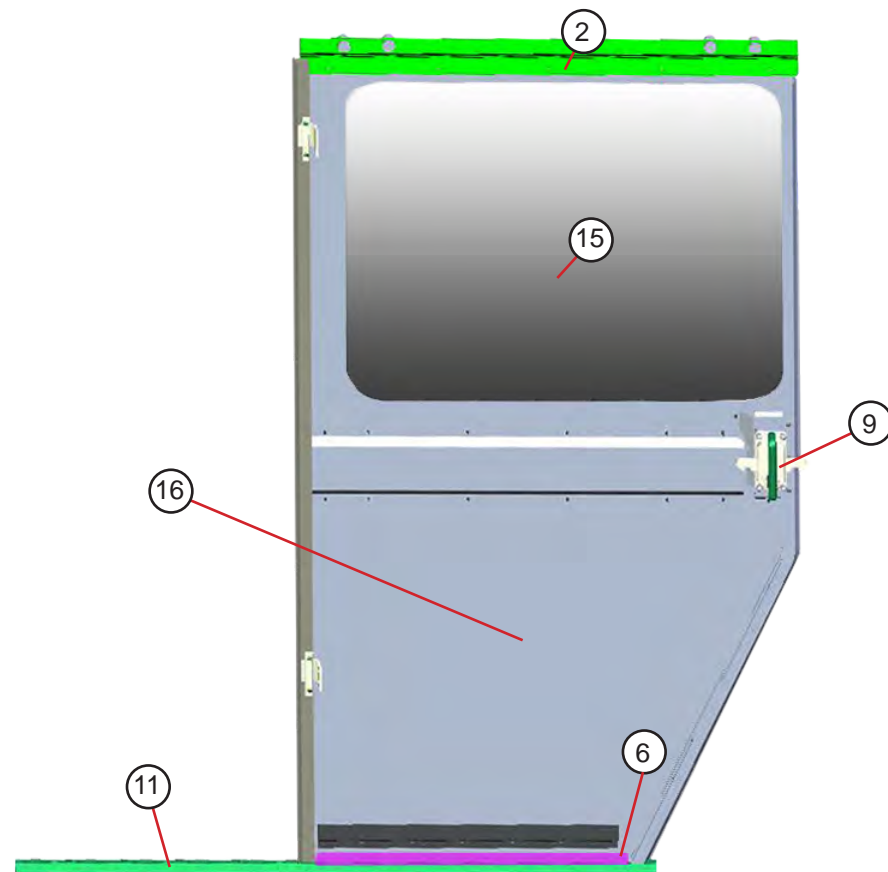
ITEM #	PART #	DESCRIPTION	QTY.	UNIT
--------	--------	-------------	------	------

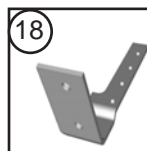
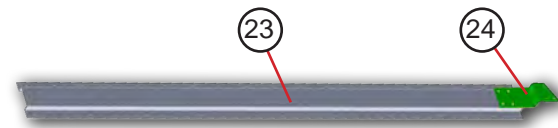
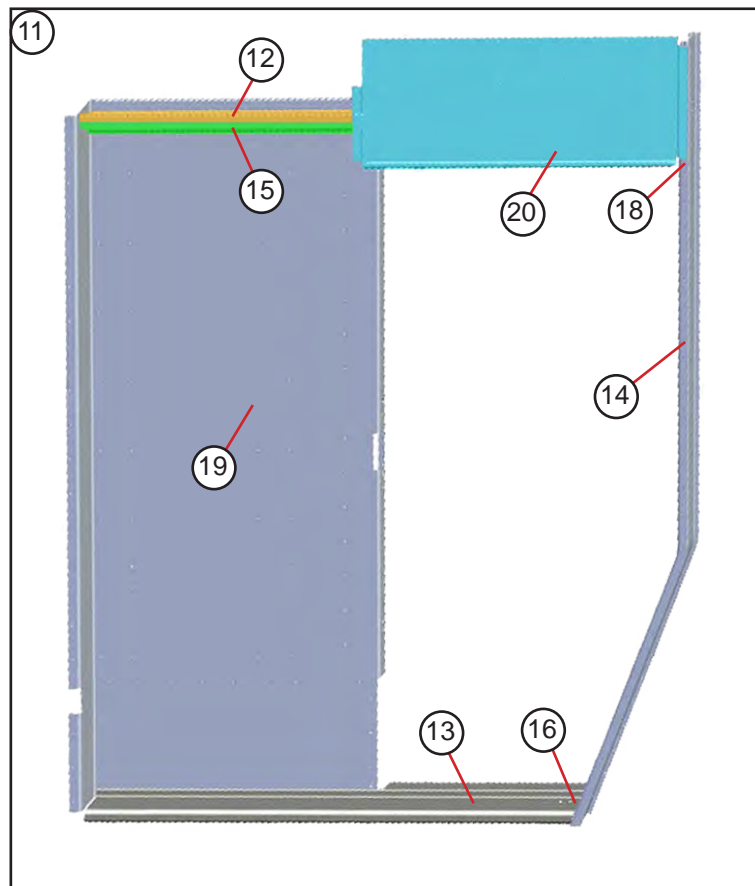
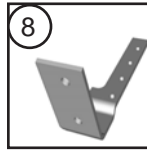
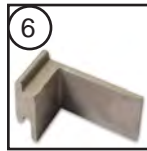
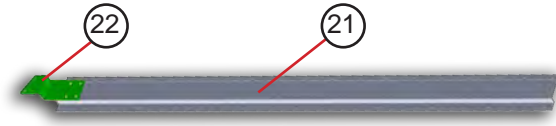
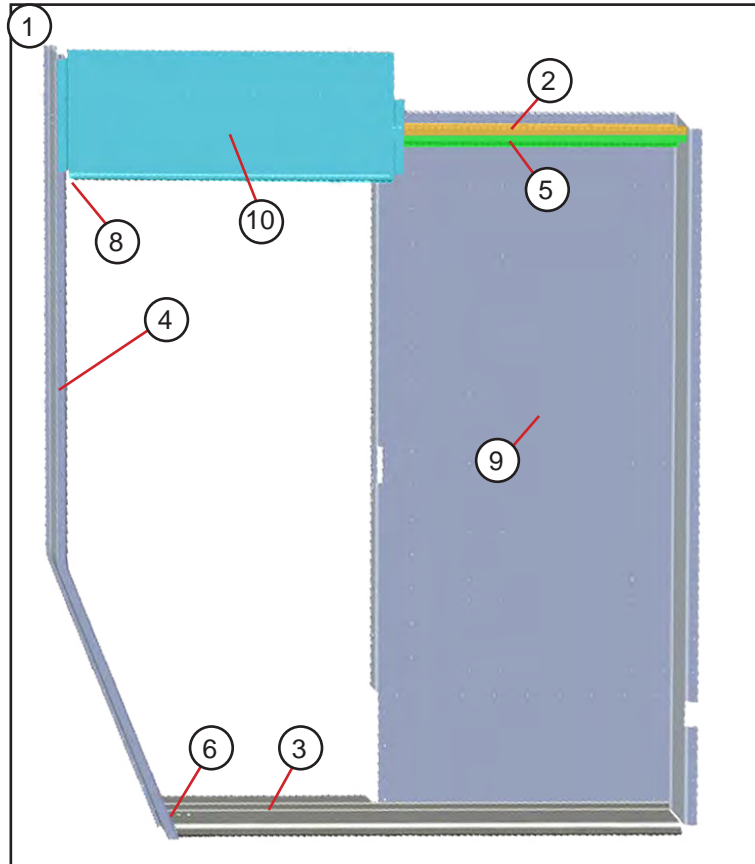
**SIDE DOOR ROADSIDE LH**

1		BLANK		
2	96760203	HANGER ASSEMBLY WITH BEARINGS	1	EA
3		BLANK		
4	44008050	SEAL BRUSH TYPE B 1X83.9	0.5	EA
5	115060201	DOOR ASSEMBLY LH (DOES NOT INCLUDE ITEMS; 2,3,4,7,8,9,10,11,12,14,17,18,19,20)	1	EA
6	095060448	WEAR/STRIP 450008X26.85	1	EA
7	45200206	SPACER ANTI RATTLE NYLON	2	EA
8	45300377	CLIP ANTI RATTLE AL.188X2X2.7	2	EA
9	45100168	LOCK MECH INNER	1	EA
10	087181	LOCK HANDLE SPACER	1	EA
11	47002766	GUIDE NYLON DOOR MOULDED LOWER X51.44	1	EA
12	44004104	SEAL RUBBER RS FWD DR X89.25	1	EA
14	13342990002	GLASS WINDOW SLIDING LH	1	EA
16	115060409	PANEL LOWER AL .07X 39.4X35.45	1	EA
17	47000689	HANDLE SIDE BLACK NO CYLINDER	1	EA
18	1113539	PLUG HL	1	EA

**SIDE DOOR CURBSIDE RH**

1		BLANK		
2	96760203	HANGER ASSEMBLY WITH BEARINGS	1	EA
3		BLANK		
4	44008050	SEAL BRUSH TYPE B 1X83.9	0.5	EA
6	095060448	WEAR/STRIP 450008X26.85	1	EA
7	45200206	SPACER ANTI RATTLE NYLON	2	EA
8	45300377	CLIP ANTI RATTLE AL .188X2X2.7	2	EA
9	45100168	LOCK MECH INNER	1	EA
10	087181	LOCK HANDLE SPACER	1	EA
11	47002766	GUIDE NYLON DOOR MOULDED LOWER X51.44	1	EA
12	44004104	SEAL RUBBER RS FWD DR X89.25	1	EA
13	115060202	DOOR ASSEMBLY RH (DOES NOT INCLUDE ITEMS; 2,3,4,7,8,9,10,11,12,14,17,18,19,20)	1	EA
15	13342990001	GLASS WINDOW SLIDING RH	1	EA
16	115060409	PANEL LOWER AL .07X 39.4X35.45	1	EA
17	47000689	HANDLE SIDE BLACK NO CYLINDER	1	EA
18	1113539	PLUG HL	1	EA
19	44002011	BUMPER RUBBER	1	EA
20	45100093	STRIKER BRZC D/S RR	1	EA

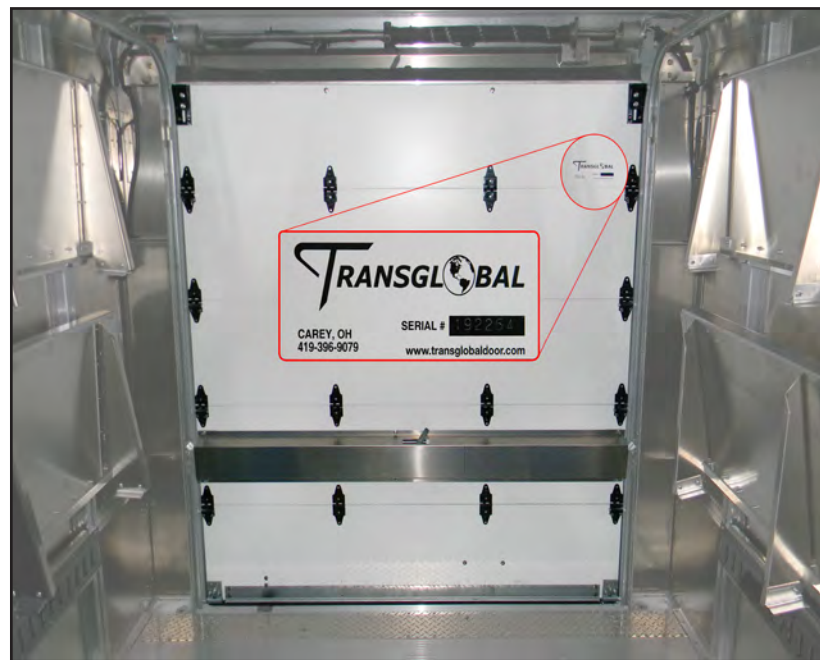




ITEM #	PART #	DESCRIPTION	QTY.	UNIT
<b>DOOR POCKET ROADSIDE</b>				

1		DOOR POCKET ASSEMBLY 81H W/O VENT LH USPS	1	EA
2	96741302	CHANNEL HEADER AL 450256X75 LH	1	EA
3	095041415	NOSING STEP AL450247X62.57 LH	1	EA
4	095041409	DOOR POST AL450294X92.77	1	EA
5	96741202	TRACK DOOR ASSEMBLY UPPER	1	EA
6	45100048	GUSSET AL CAST HEADER CHANNEL TO D/PST LH	1	EA
7	45100104	GUSSET AL CAST D/PST LOWER LH	1	EA
8	001741407	REINFORCEMENT A POST AL.125X1.53X8.04 LH	1	EA
9	157041405	PANEL D/POCKET AL.102X42.28X82.08 LH	1	EA
10	077410406	PANEL HEADER AL .102X15.49X42.37 LH	1	EA
21	083042400	STIFFENER HEADER AL450328X73.75 LH	1	EA
22	96742302	CLIP AL ZEE .102X3X9.57	1	EA

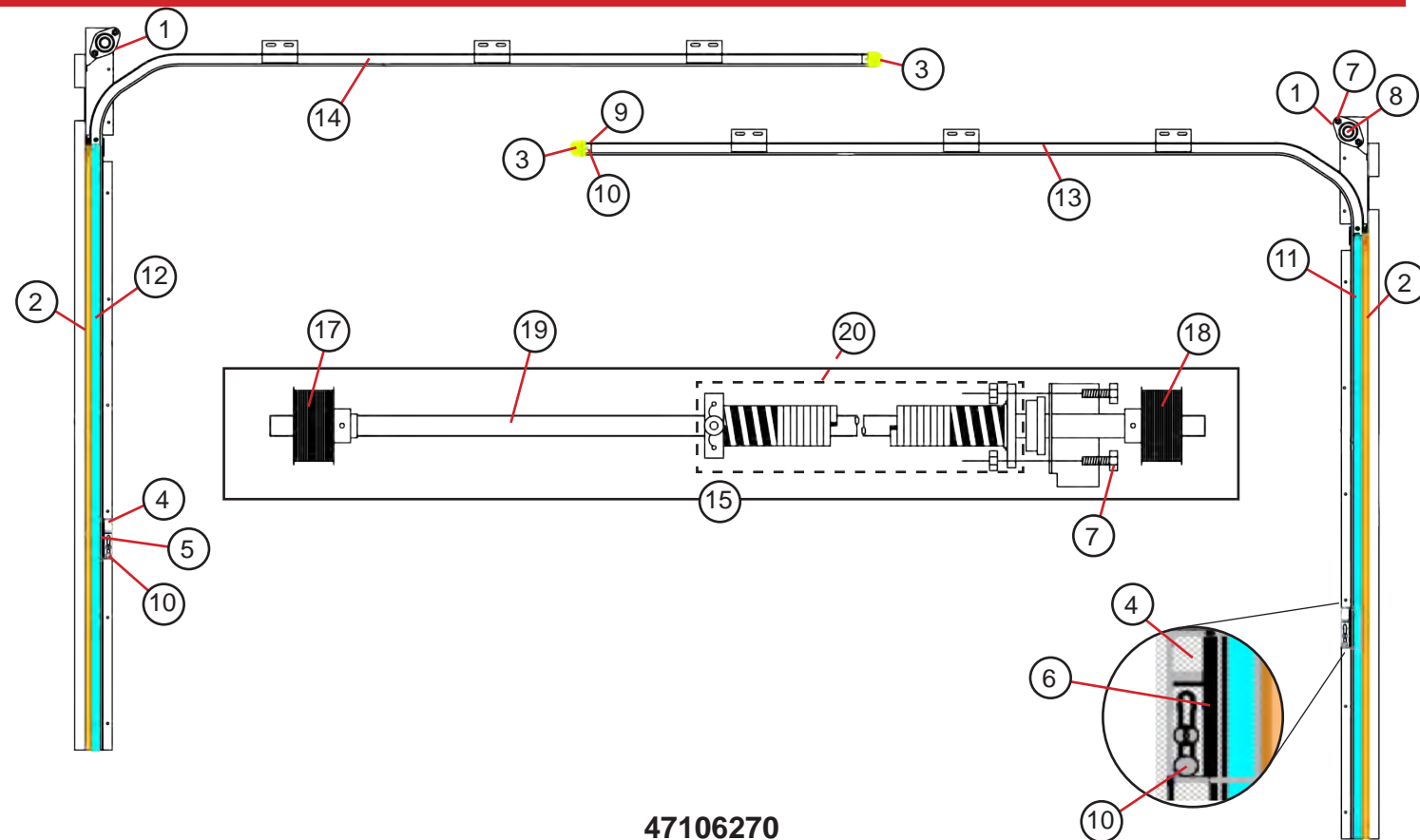
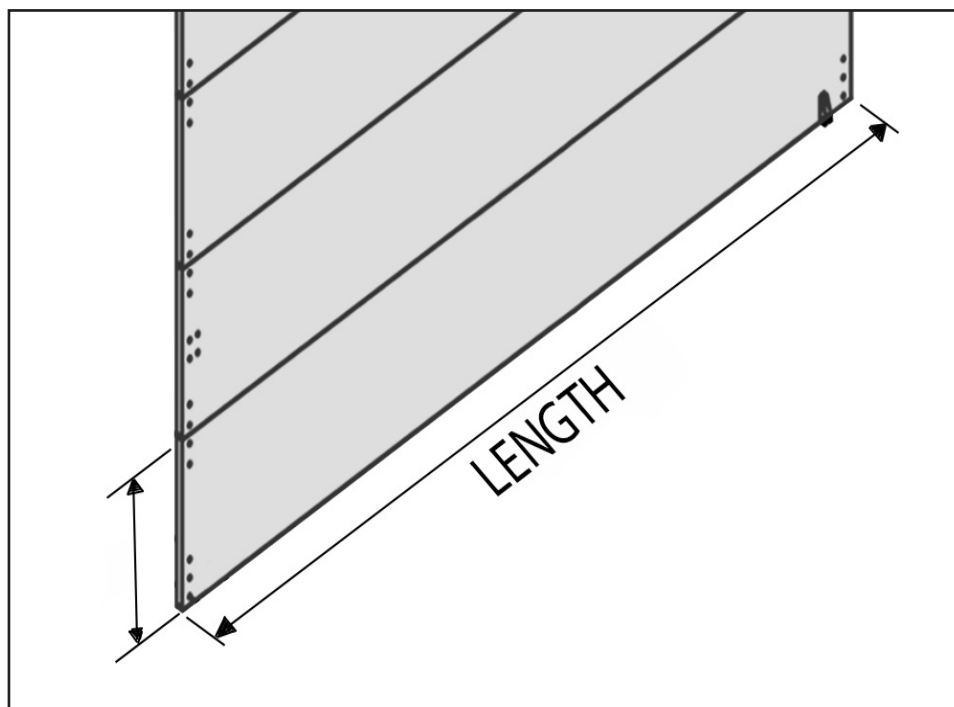
<b>DOOR POCKET CURBSIDE</b>				
11		DOOR POCKET ASSEMBLY 81H RH W/O VENT USPS	1	EA
12	96741303	CHANNEL HEADER AL 450256X75 RH	1	EA
13	095041416	NOSING STEP AL450247X62.57 RH	1	EA
14	095041410	DOOR POST AL450294X92.77	1	EA
15	96741202	TRACK DOOR ASSEMBLY UPPER	1	EA
16	45100049	GUSSET AL CAST HEADER CHANNEL TO D/PST RH	1	EA
17	45100105	GUSSET AL CAST D/PST LOWER RH	1	EA
18	001741408	REINFORCEMENT A POST AL.125X1.53X8.04 RH	1	EA
19	157041406	PANEL D/POCKET AL.102X42.26X82.08 RH	1	EA
20	077410407	PANEL HEADER AL .102X15.49X42.37 RH	1	EA
23	083042401	STIFFENER HEADER AL450328X73.75 RH	1	EA
24	96742302	CLIP AL ZEE .102X3X9.57	1	EA



ROLL-UP DOOR SERIAL NUMBER LOCATION

WHEN ORDERING PARTS FOR ROLL-UP DOORS, PLEASE PROVIDE THE FOLLOWING INFORMATION. THE SERIAL NUMBER LOCATED ON THE INTERIOR TOP PANEL ROADSIDE EDGE. THE LENGTH AND HEIGHT OF THE DOOR PANEL(S) TO BE ORDERED.

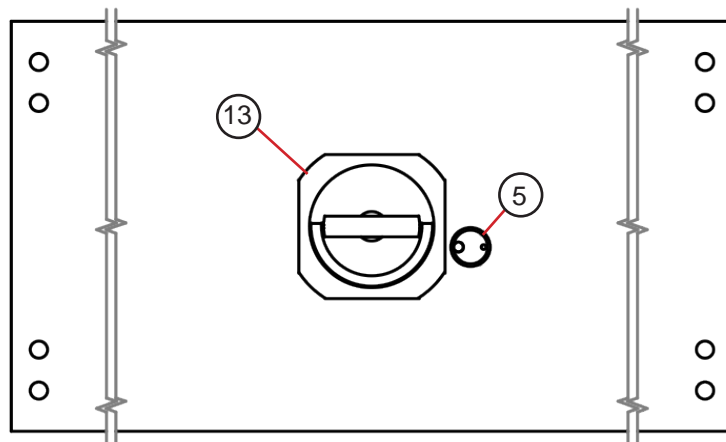
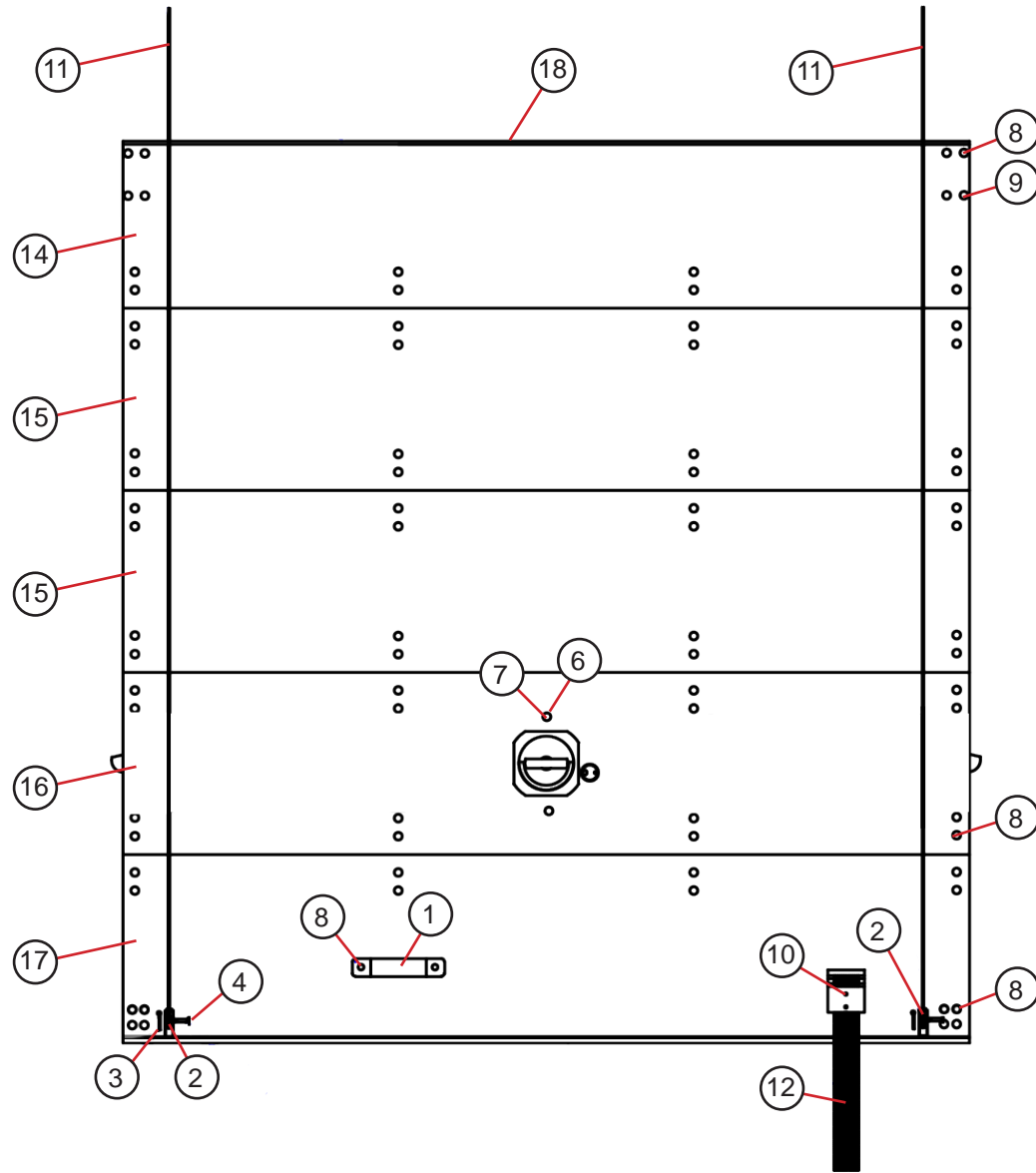
IN THE EVENT OF A DAMAGED, UN-READABLE OR MISSING SERIAL NUMBER, PLEASE TRY TO PROVIDE THE COMPOSITION DETAILS OF THE DOOR PANEL. (PLASTIC COATED, ALUMINUM CLAD, PLYWOOD, ETC.)



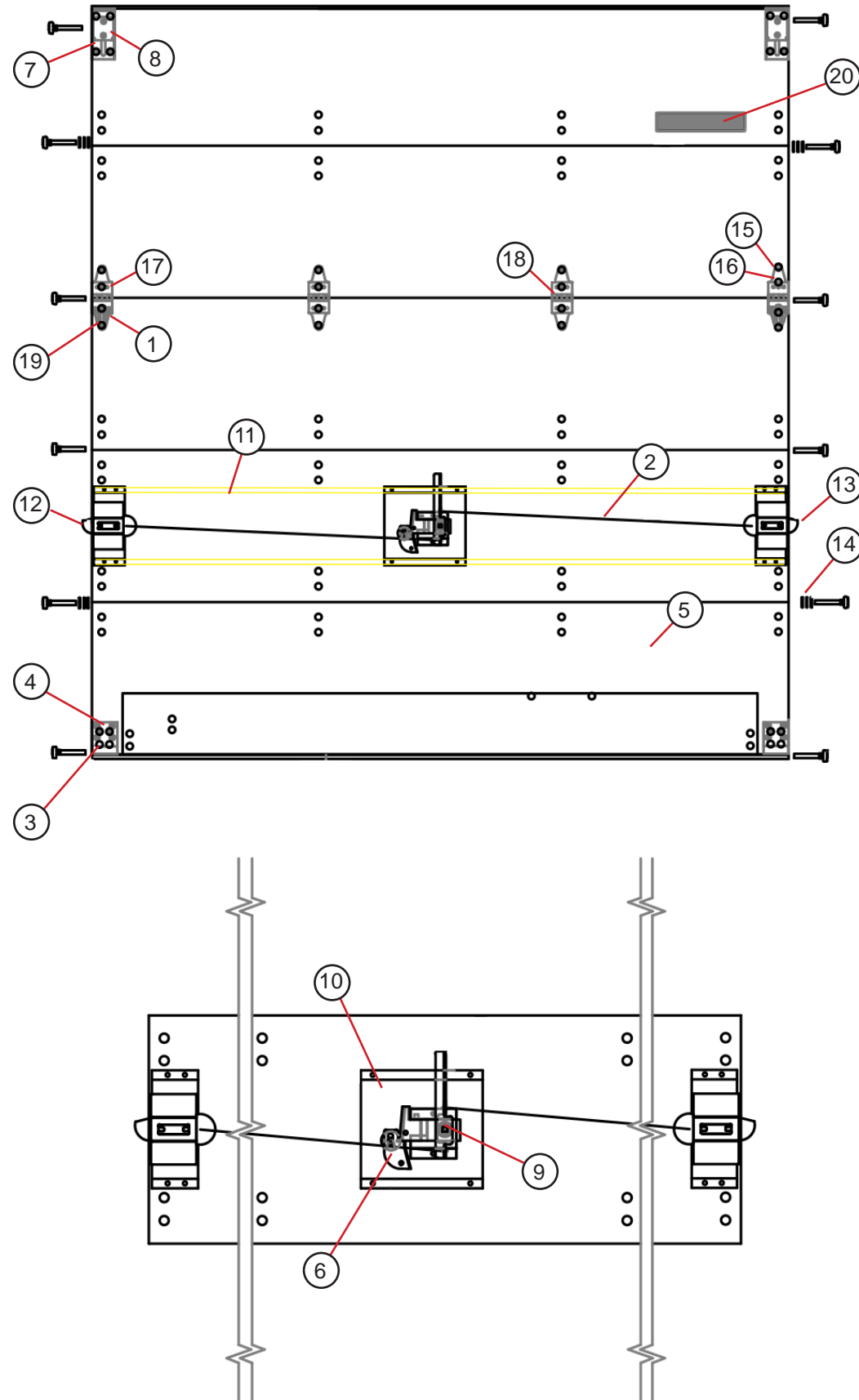
**47106270**

ITEM#	PART#	DESCRIPTION
1	47106737	BEARING ASSEMBLY
2	47106738	SIDE SEAL SNAP-IN STYLE 75.5"
3	47106739	1" HEAD PROTECTOR YELLOW
4	47106740	LOCK CATCH
5	47106758	CATCH MOUNTING PLATE - LH (CS)
6	47106759	CATCH MOUNTING PLATE - RH (RS)
7	47106743	5/16" X 1" HEX HEAD BOLT GRADE 5
8	47106744	5/16 KEP NUT
9	47106745	1/4 -20 X 1 3/4" HEX HEAD BOLT
10	47106746	1/4" KEP NUT
11	47106747	VERTICAL TRACK ASSEMBLY - CURBSIDE
12	47106748	VERTICAL TRACK ASSEMBLY - ROADSIDE
13	47106749	HORIZONTAL TRACK ASSEMBLY - CURBSIDE
14	47106750	HORIZONTAL TRACK ASSEMBLY - ROADSIDE
<b>Counterbalance Assembly</b>		
15	47106751	COUNTERBALANCE ASSEMBLY
17	47106753	CABLE DRUM LH
18	47106754	CABLE DRUM RH
19	47106755	COUNTERBALANCE SHAFT - 68.75"
20	47106859	SPRING W/ PLUGS .192 X 22.25" X 1 3/4"

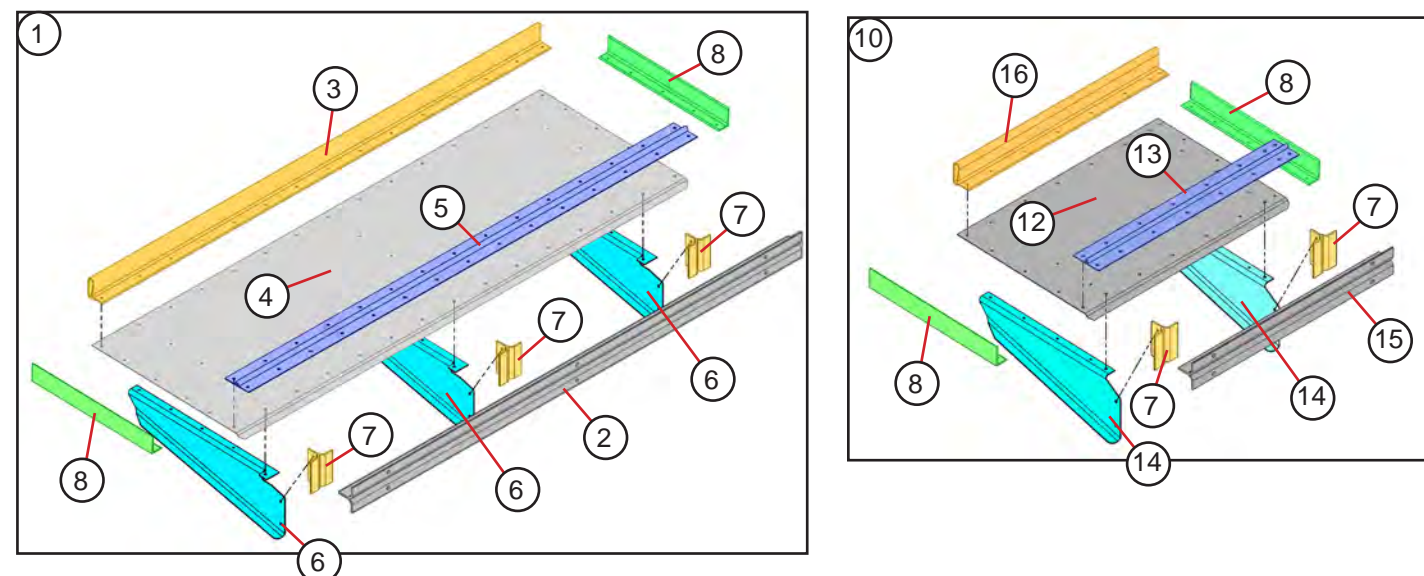
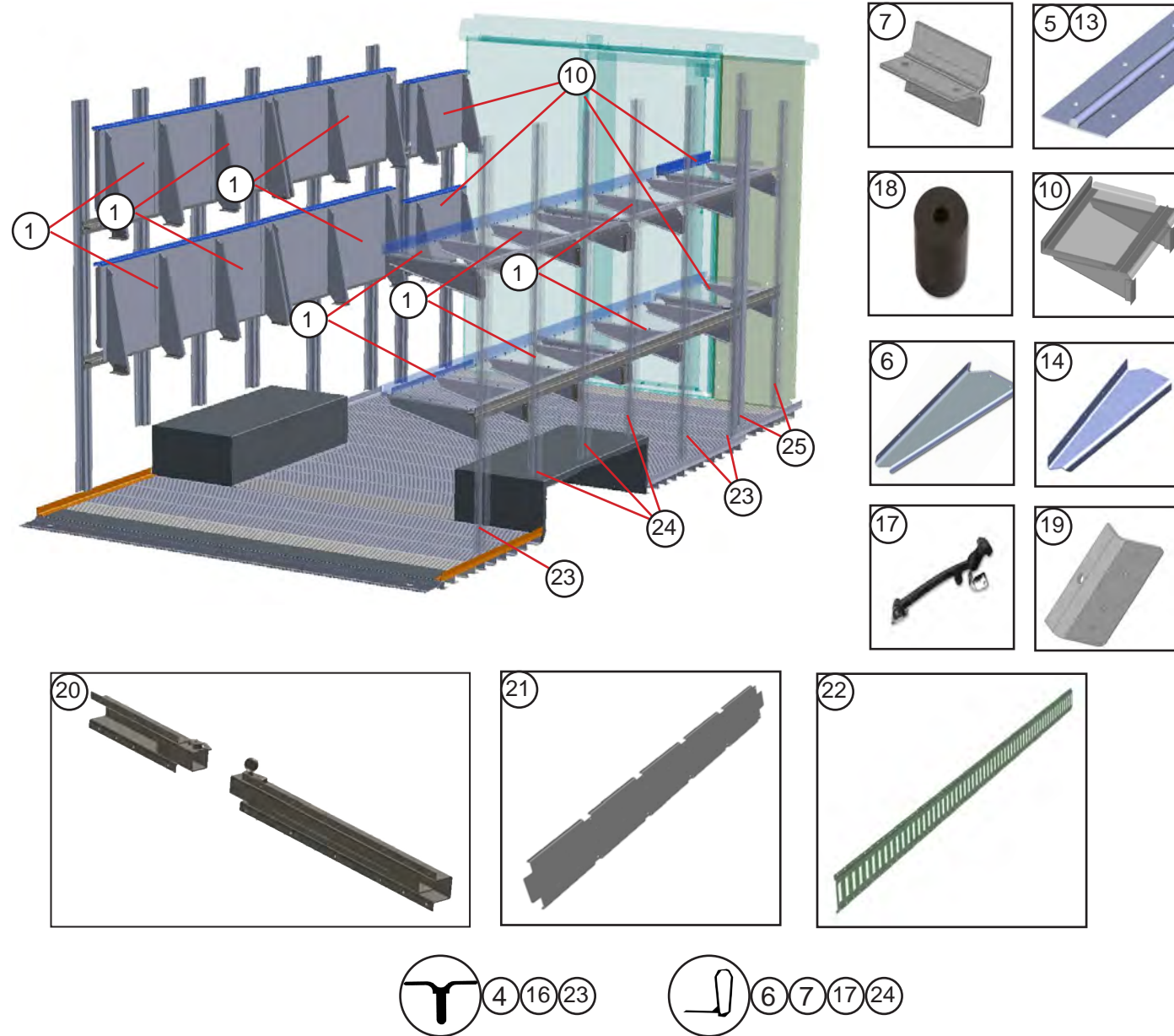




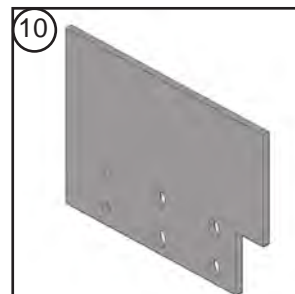
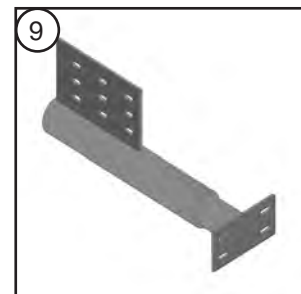
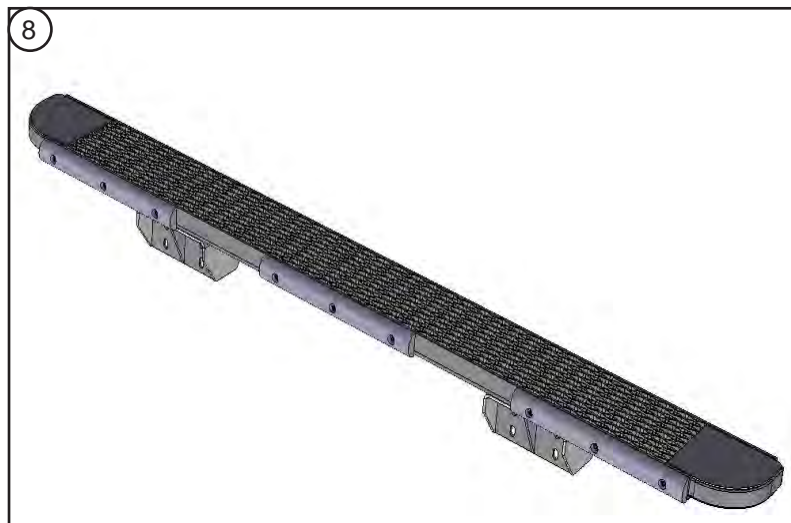
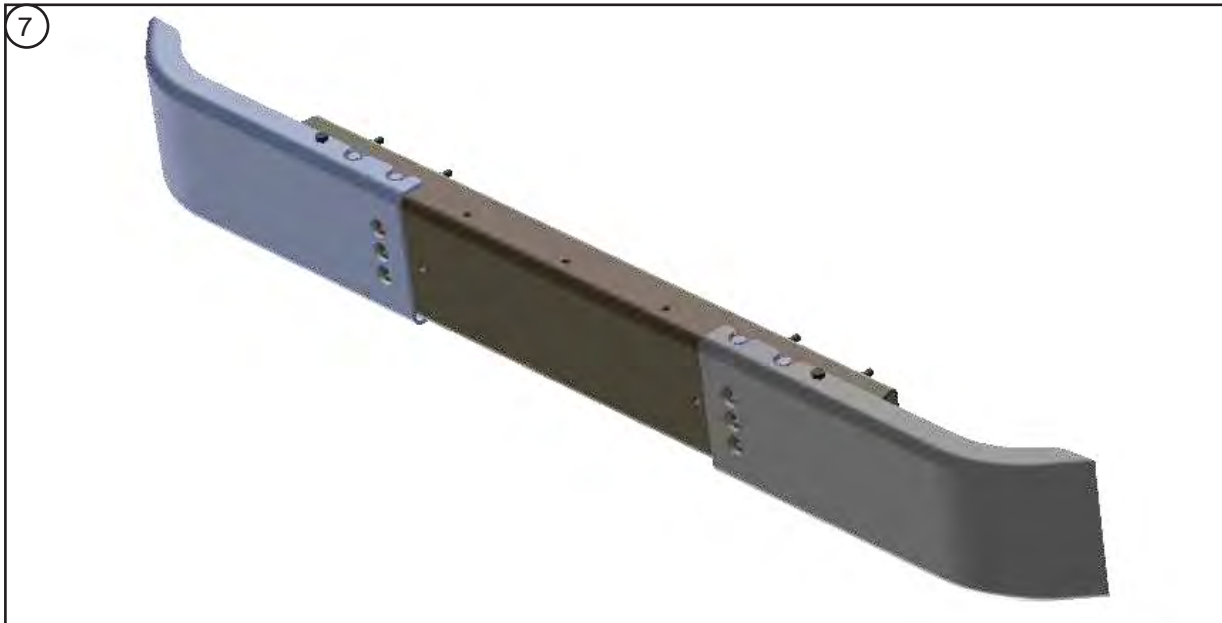
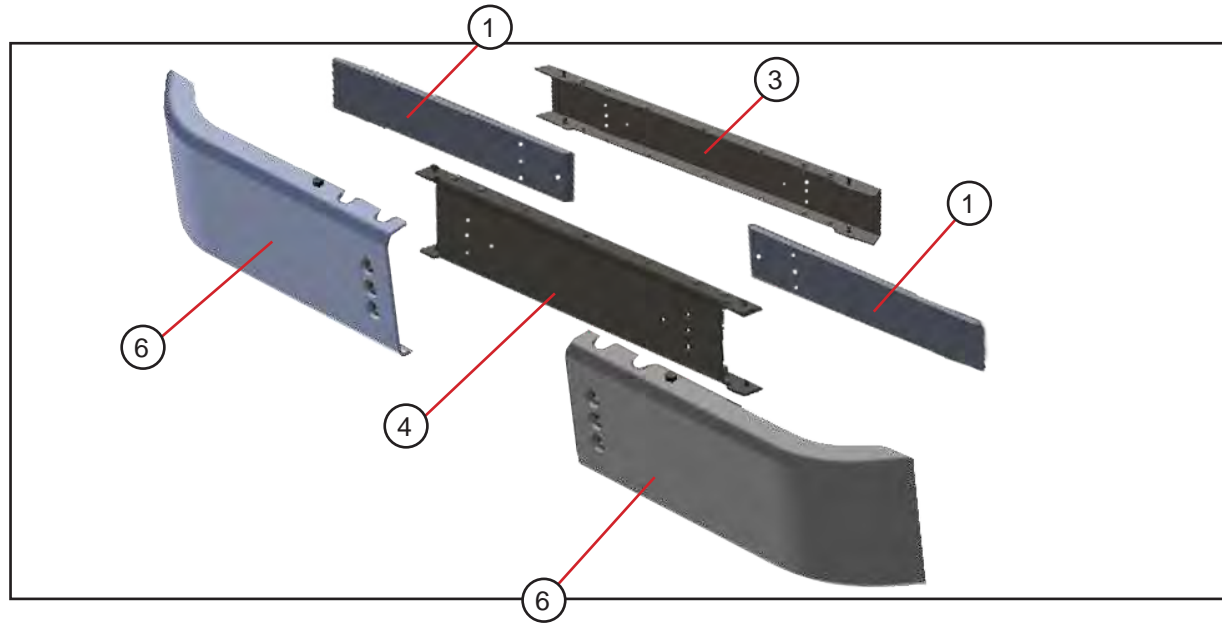
ITEM#	PART#	DESCRIPTION
1	47106701	LIFT HANDLE - WHITE
2	47106703	CABLE ANCHOR BRACKET - WHITE
3	47106706	1/4" X 1" CABLE ANCHOR PIN
4	47106719	3/32" X 1" COTTER PIN
5	47106709	BEST CYLINDER LOCK AND MODIFIED RING 6.25MM
6	47106722	1/4"-20 X 1" CARRIAGE BOLT - STAINLESS STEEL
7	47106723	1/4" NYLOK NUT
8	47106724	1/4" X 5/8" SS SEMI TUBULAR RIVET
9	47106725	1/4" X 3/4" SS SEMI TUBULAR RIVET
10	47106726	1/4" X 7/8" SS SEMI TUBULAR RIVET
11	47106727	CABLE 95" 7 X 19 SS 1/4 METAL EYE (EACH)
12	47106728	12" PULL STRAP - LOOPED W/ BLACK RETAINER
13	47106729	D-RING HANDLE - 2 PT LOCK
14	47106732	.25" COMPOSITE TOP PANEL- COMPLETE- 13.5" X 68.75" W/ SEAL
15	47106733	.25" COMPOSITE INTERMEDIATE PANEL - 15" X 68.75"
16	47106735	.25" COMPOSITE 2PT LOCK PANEL- COMPLETE 15" X 68.75"
17	47106734	.25" COMPOSITE BOTTOM PANEL -COMPLETE 15" X 68.75"
18	47106736	TOP PANEL SEAL ASSEMBLY - 68.75"
NS	47106752	BRUSH SEAL HEADER



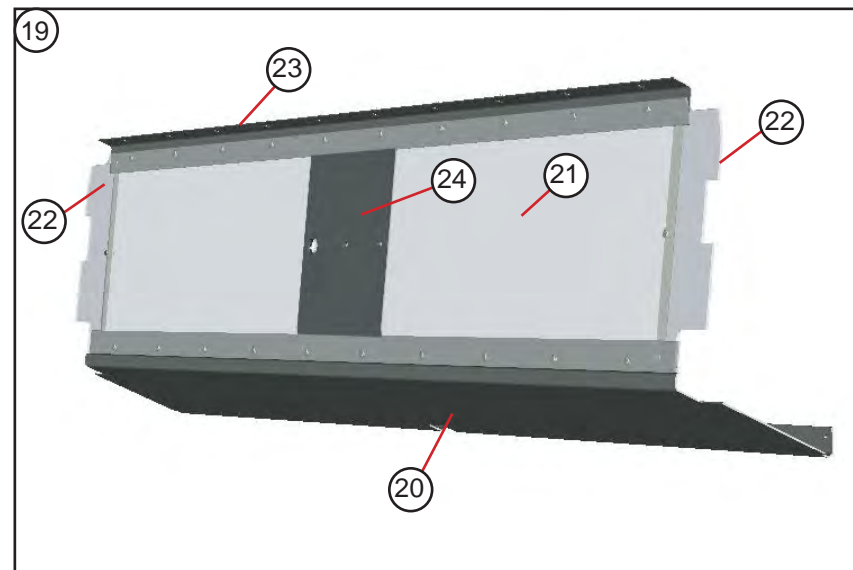
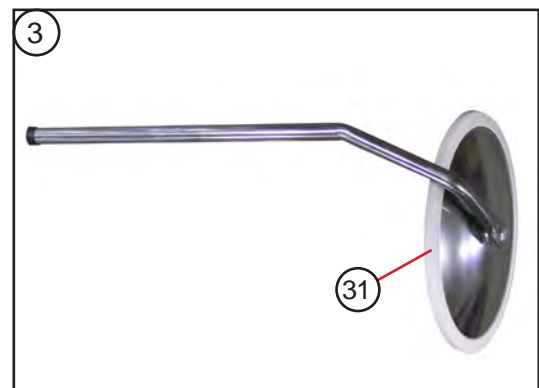
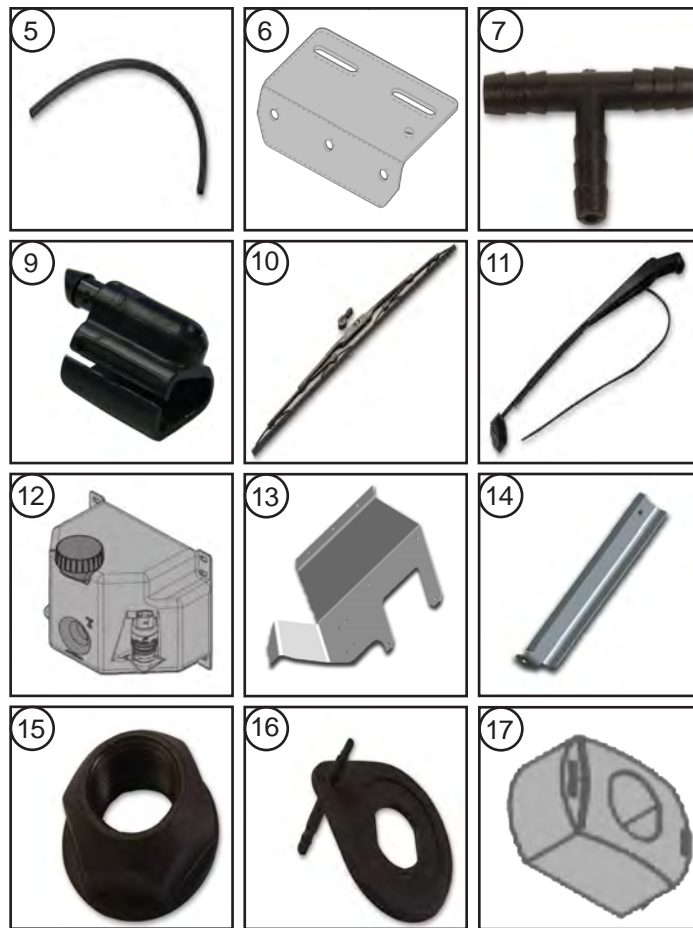
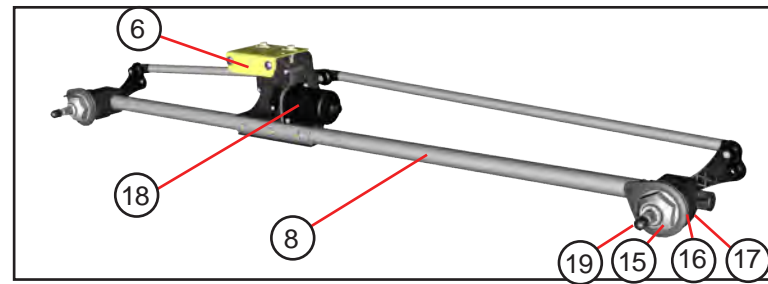
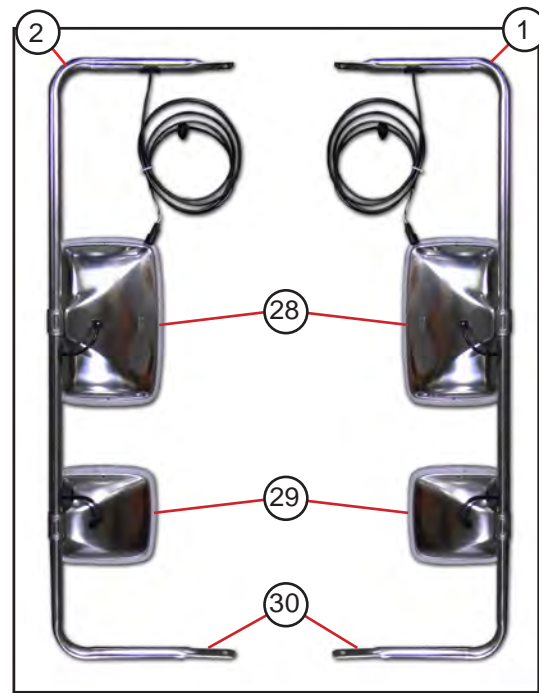
ITEM#	PART#	DESCRIPTION
1	47106700	ROLLER HINGE COVER
2	47106702	CABLE ASSY. 29.75" WITH (2) STOPS & WASHER (EACH) 2
3	47106704	ROLLER CLAMP, 3 HOLE ROLLER CLAMP FOR 1" ROLLERS
4	47106705	3 STUD BOTTOM FIXTURE ASSEMBLY -COMPLETE
5	47106707	1" STEEL ROLLER
6	47106708	TOP CAM CATCH
7	47106710	TOP CLOSURE ASSEMBLY COMPLETE
8	47106711	TOP CLOSURE SLIDE ONLY
9	47106712	CENTER CONTROL COMPLETE
10	47106714	LATCH BASE CENTER - .80" OFF, D-RING,BEST CYLINDER,
11	47106715	ALUMINUM CABLE COVER - 68.375" LENGTH - 7.5MM COMP,
12	47106716	TWO POINT END LATCH ASSEMBLY- CURBSIDE
13	47106717	TWO POINT END LATCH ASSEMBLY- ROADSIDE
14	47106718	SPACER WASHER
15	47106720	BUCK RIVET - 11/16"
16	47106721	BUCK RIVET - 13/16"
17	47106730	1207 HEAVY DUTY
18	47106731	CENTER HINGE-HEAVY DUTY
19	47106723	1/4" NYLOK NUT
20	N/A	IDENTIFICATION PLATE S/N
NS	47106756	PLASTIC LATCH GUARD



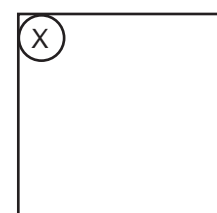
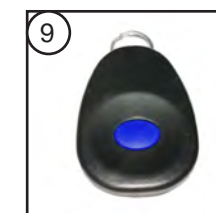
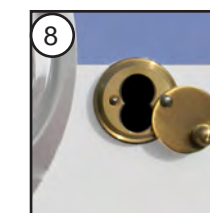
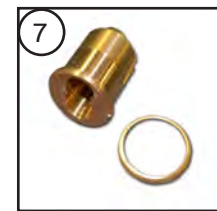
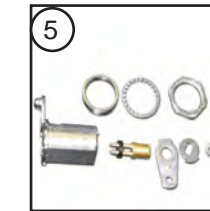
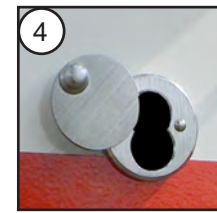
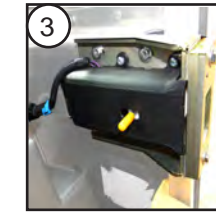
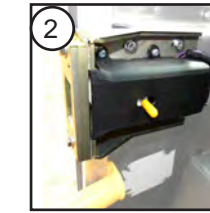
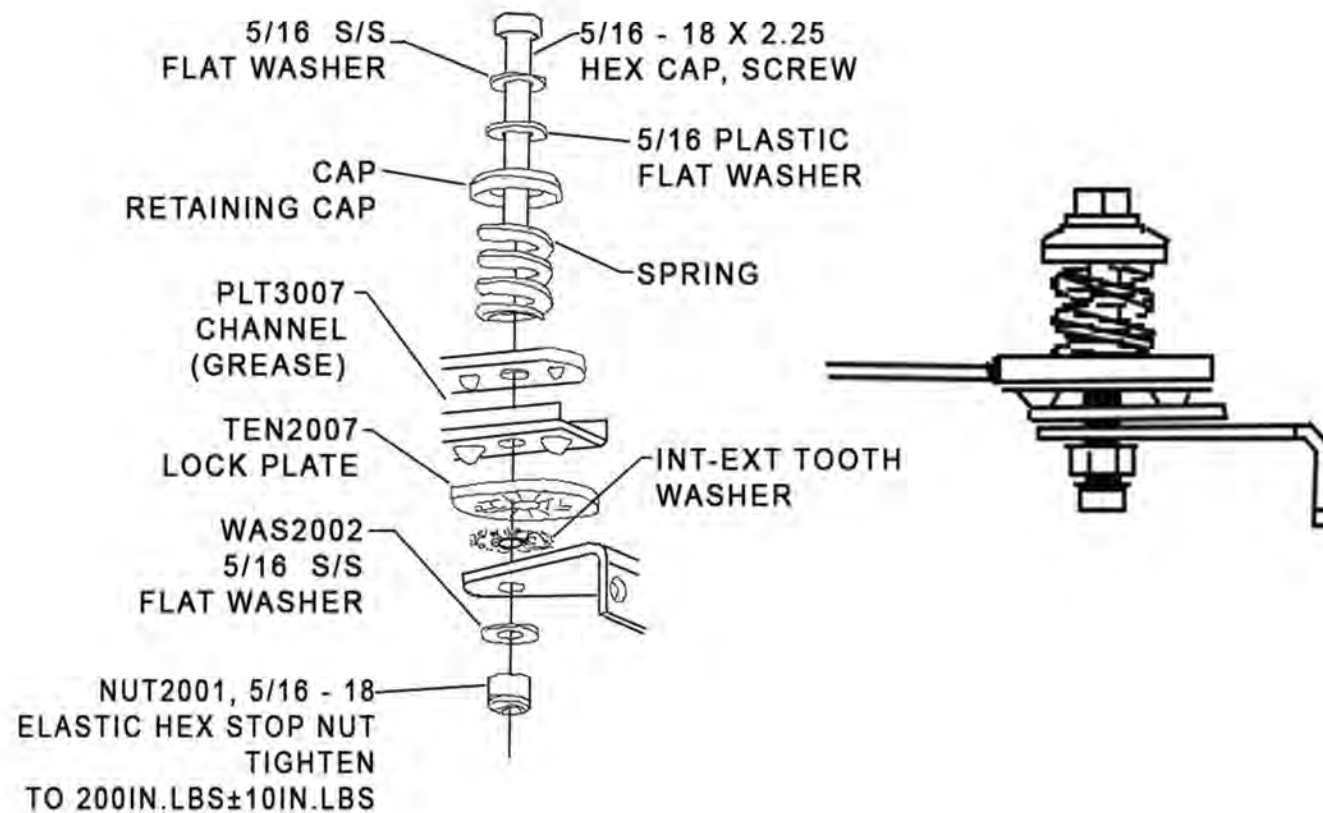
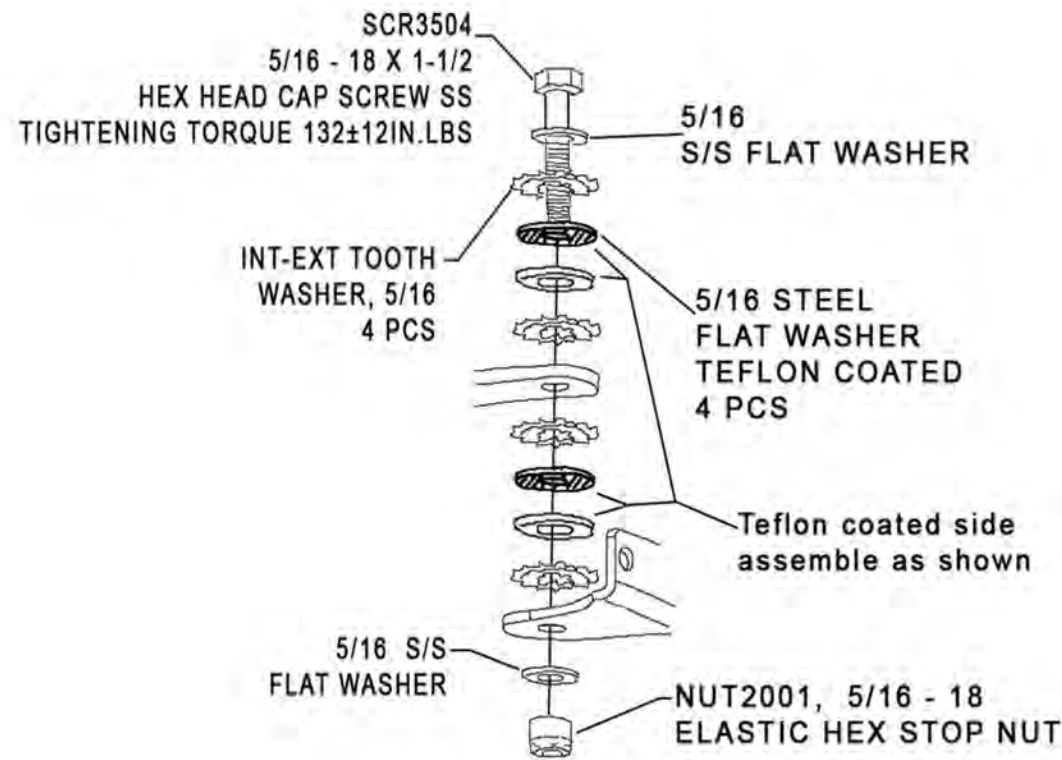
ITEM #	PART #	DESCRIPTION	QTY.	UNIT
1	157106209	<b>SHELF FOLDING ASSEMBLY</b>	12	EA
2	157106453	SUPPORT T HORZ AL 450601X40.25	1	EA
3	157106456	LIP SHELF AL 450589X40.25	1	EA
4	157106455	PANEL SHELF AL .07X19.23X40.25	1	EA
5	47007804	HINGE STEEL ZP 47007795X41	1	EA
6	157106454	SHELF ARM AL .102X7.41X19.91	3	EA
7	157106433	FOOT PAD AL 450601X3.5	3	EA
8	157106441	ANGLE SHELF AL 450188X15.25	2	EA
<b>SHELF FOLDING ASSEMBLY (@DOOR POCKETS)</b>				
10	157106205	<b>SHELF FOLDING ASSEMBLY (@DOOR POCKETS)</b>	4	EA
12	157106434	PANEL SHELF AL .07X16.2X24	1	EA
13	157106435	HINGE STEEL ZP 47007795X24	1	EA
14	157106432	SHELF ARM AL .102X7.54X17.08	2	EA
15	157106430	SUPPORT SHELF T AL450601X24	1	EA
16	157106431	LIP SHELF 450589X24	1	EA
17	47000511	LATCH FLEX DRAW	16	EA
NS	157106442	BRACKET FOR DRAW LATCH	16	EA
18	44002011	BUMPER RUBBER	2	EA
19	157106442	CLIP ANGLE AL.125X3.1X10	1	EA
20	47000953	BAR LOAD STAB ASSEMBLY USPS	1	EA
<b>E-TRACK SECTIONS</b>				
21	157102408	E/TRACK HAT AL.125X7.53X120 LH	2	EA
21	157102405	E/TRACK HAT AL.125X7.54X21 (@DOOR POCKET)	2	EA
22	1101531	E/TRACK 1101531X120 GREY PRIMERED	2	EA
22	157102406	E/TRACK 1101531X18 (@DOOR POCKET)	2	EA
<b>SIDE WALL STIFFENERS</b>				
23	093048411	STIFFENER SIDE AL 450595X75.5	6	EA
24	093048414	STIFFENER SIDE AL 450595X66.25	6	EA
25	157048401	STIFFENER @ DOOR POCKET AL 450595X64.75	4	EA



ITEM #	PART #	DESCRIPTION	QTY.	UNIT
<b>FRONT BUMPER</b>				
1	155008417	BUMPER LEAF SPRING FRONT STEEL .375X5X22 BLANK	2	EA
3	155008416	BUMPER FRONT STEEL .25X14.91X55.31	1	EA
4	155008415	BUMPER CHANNEL OUTER STEEL 7GAX11.27X41 BLANK	2	EA
6	155008206	BUMPER OUTER WELDMENT	2	EA
7	155008004	BUMPER FRONT ASSEMBLY SPRING BACK (ITEMS 1 TO 6)	1	EA
<b>REAR BUMPER</b>				
8	157057203	BUMPER ASSEMBLY REAR 88W USPS 2-TON	1	EA
9	003057201	SHOCK, BUMPER MOUNTING	2	EA
10	155007446	HANGER PLATE BUMPER STEEL .312X9X11	2	EA



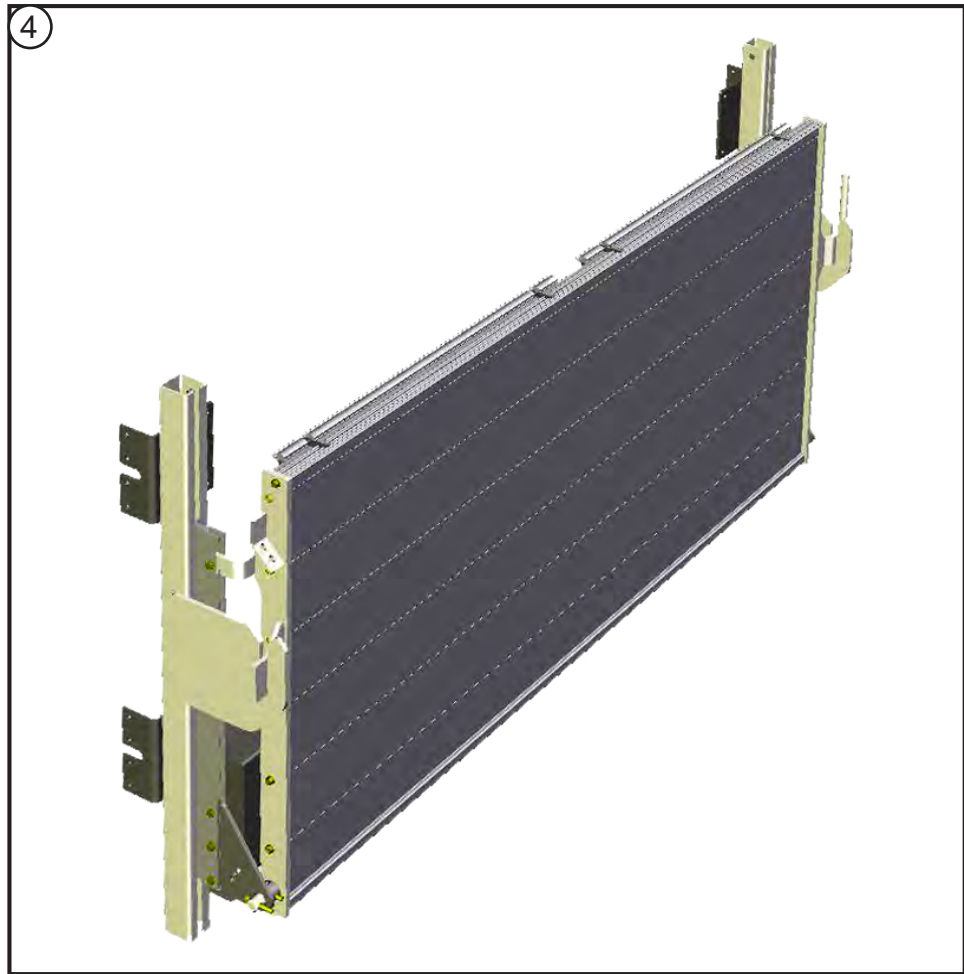
ITEM #	PART #	DESCRIPTION	QTY.	UNIT
<b>MIRROR</b>				
1	47006169	MIRROR ASSEMBLY SS HEATED LH	1	EA
2	47006170	MIRROR ASSEMBLY SS HEATED RH	1	EA
3	47006171	MIRROR ASSEMBLY CROSSVIEW	1	EA
4				
<b>WINDSHIELD WIPER</b>				
5	1107122	HOSE .188 ID WSW	12	FT
6	083055454	BRACKET WIPER MOTOR	1	EA
7	1101694	TEE WSWA U/T	1	EA
8	47004187	WIPER SYSTEM TBLR 2 PIVOT	1	EA
9	47004271	WET KIT (SPRAY NOZZLE & HOSE)	2	EA
10	47004134	BLADE 24IN BLACK	2	EA
11	47004205	ARM WSW WET 20IN RADIAL BLACK	2	EA
12	47004505	RESERVOIR W/PUMP W/S WASHER	1	EA
13	093063400	BRACKET MOUNTING RSVR BOTTLE	1	EA
14	155063400	BRACKET SUPPORT RESERVOIR BOTTLE	1	EA
15	47005901	NUT	2	EA
16	47005902	PIVOT COVER	2	EA
17	47005903	SPACER	2	EA
18	47005900	MOTOR WINDSHIELD WIPER	1	EA
19	81600189	ACORN NUT	2	EA
<b>WIPER MOTOR COVER ASSEMBLY</b>				
20	150076401	WIPER MOTOR COVER BOTTOM AL .102X13.38X86.56	1	EA
21	150076400	MOTOR COVER .5MM 1100 PLYFELT CHRC	1	EA
22	150076403	WIPER MOTOR STRAP AL .07X1X14.5	2	EA
23	150076404	WIPER COVER ZEE (TOP) AL .07X3.09X20.24	1	EA
24	150076402	WIPER MOTOR SUPPORT AL .102X12X14.51	1	EA
25	47006610	CLIP PLASTIC FLAT/HEAD .45HEADX.64	22	EA
26	45201913	LEGEND PLATE HEATED MIRROR	1	EA
27	167076400	WIPER MOTOR COVER CENTER SUPPORT AL .07X4.88X6	1	EA
28	47006175	MIRROR 6.5X10 STAINLESS HEATED	2	EA
29	47006176	MIRROR 6.5X6 STAINLESS HEATED	2	EA
30	47006177	10.5" LOOP ARM STAINLESS	2	EA
31	47006180	10" CROSSVIEW MIRROR HEAD	1	EA
32	47005623	MOUNTING BASE LOWER	2	EA
33	47005610	UPPER MOUNTING BASE LH (47006179 - RH)	1	EA



ITEM #	PART #	DESCRIPTION	QTY.	UNIT
1	46029040	MODULE KEYLESS RF WITH 3 FOBs USPS 201	1	EA
2	46029041	LOCK ASSEMBLY KEYLESS ENTRY LH	1	EA
3	46029042	LOCK ASSEMBLY KEYLESS ENTRY RH	1	EA
4	137147415	LOCK CYLINDER HOUSING (SIDE ENTRY)	2	EA
5	137147415	LOCK CYLINDER HOUSING (DISASSEMBLED VIEW)	1	EA
6	47106676*	CORE KIT 6-PIN W/ 1KEY *NEED PO# WHEN ORDERING	1	EA
7	1113456	LOCK CYLINDER HOUSING (BULKHEAD)	1	EA
8	47106709	LOCK CYLINDER HOUSING (ROLL-UP DOOR)	1	EA
9	46029111	REPLACEMENT KEYLESS FOB	1	EA
10				

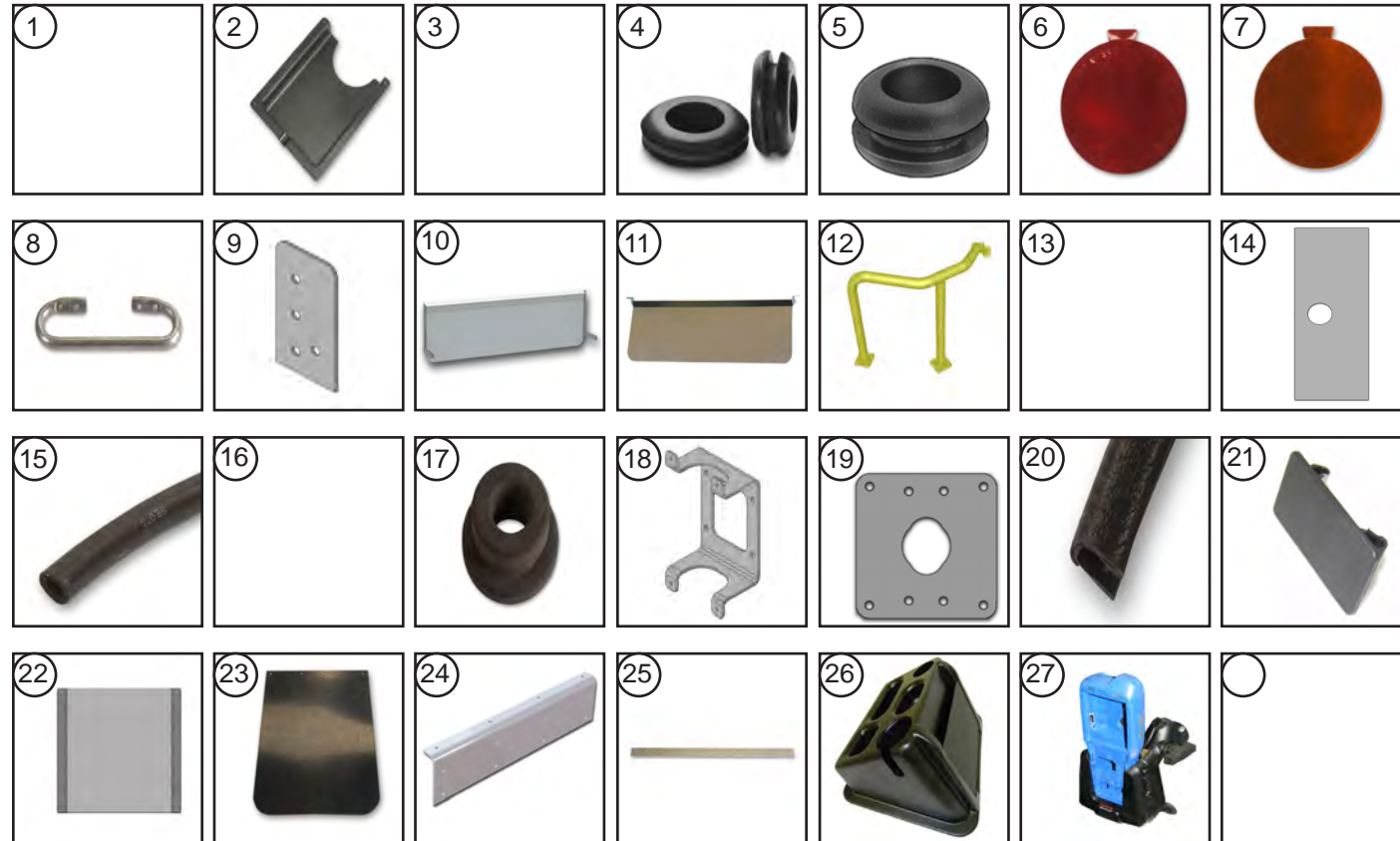
\*Replacement key cylinder part number format includes an additional "PO" number at the end. 47106676-POxx Where xx = a value of 1 through 50

This number is stamped into the face of the lock cylinder and will be required when ordering replacement keys & cylinders to properly match your locks.



ITEM #	PART #	DESCRIPTION	QTY.	UNIT
1	46021115	CLIP BODY LARGE PAN	1	EA
1	46021114	CLIP BODY MED PAN	1	EA
NS	46026407	PAINT ELEC INSUL SPRAY ENAMEL RED	0.04	EA
2	46023524	SWITCH ROCKER BASE ONLY SPST MOMENTARY	1	EA
3	46023619	SWITCH ROCKER ACTUATOR ONLY L/G	1	EA
4	47005488	LIFT GATE 36X83+12 BOLT-ON	1	EA
5	47005332	SWITCH RELAY 190AMP	1	EA
6	132088206	HARNESS BATTERY POSITIVE 2GA 24"	1	EA
7	001750406	SHIM AL .125X3.58X68.38 LH	1	EA
8	157125409	PLATE LOWER LEG AL .188X2X3.5	2	EA
9	157125407	BRACKET UPPER LEG AL .188X8.61X9.47	2	EA
10	157125408	BRACKET LOWER LEG AL .188X2.8X8.62	2	EA
11	46002673	CLAMP VINYL COATED	4	EA
12	47006363	TERMINAL - GROUND 1/4" POST	1	EA
13	47006364	TERMINAL - POSITIVE 1/4" POST	1	EA
14	210092403	BRACKET - RELAY MOUNTING	1	EA
15	210091202	HARNESS LIFT GATE RELAY	1	EA
NS	157125000	LIFTGATE INSTALLATION - ALL ITEMS REQUIRED TO INSTALL LIFTGATE	1	EA





ITEM #	PART #	DESCRIPTION	QTY.	UNIT
1		Blank		EA
2	85679004	DOCUMENT HOLDER COMPT FORMS	1	EA
3		Blank		EA
4	44000052	GROMMET .688X.125X1 BACK UP CAM	1	EA
5		Blank		
6	46025017	REFLECTOR RED 2.88DIA	4	EA
7	46025018	REFLECTOR AMBER 2.88DIA	2	EA
8	90187300	GRAB HANDLE .5X15.7	2	EA
9	150061400	BRACKET S/V AL.07X1.5X3	2	EA
10	47005504	SUN VISOR 8X33	1	EA
11	47005645	SUN VISOR 8X30 W/ SINGLE PIVOT	2	EA
12	47001047	RAIL GRAB PWDRCT YL	1	EA
13		Blank		EA
14	78331095	PLATE TIE DOWN	18	EA
15	44001004	HOSE HEATER HIGH TEMP .62ID	7.5	FT
16		Blank		EA
17	1107072	GROMMET	1	EA
18	102084499	BRACKET FUSE CENTER AL.102X4X12.78	1	EA
19	083092404	COVER FUSE CENTER AL.102X4X4.13	1	EA
20	072109049	TRIM QUICK EDGE BLACK	1	FT
21	46023506	PLUG ROCKER SWITCH BLACK	1	EA
22	155026405	SPLASH PAN FUEL FILL	1	EA
23	44000121	MUD FLAP .25x18x20	2	EA
24	80795014	ANGLE RETAINER AL .188X5X20	2	EA
25	7504428	RETAINER MD/FLP AL .125X1.5X20	2	EA
26	47009653	CENTER CONSOLE	1	EA
27	N/A**	DOCKING / CHARGING STATION (CFMDDHLDR)**	1	EA
28		Blank		

\*\* Item 27 shown with empty shell for reference only, not included with docking station. Charging Station supplied by USPS, not sold by Morgan Olson.





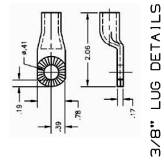
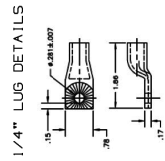
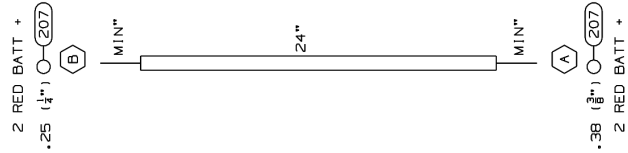
ITEM #	PART #	DESCRIPTION	QTY.	UNIT
1	46000213	HEADLAMP RECT ASSEMBLY	2	EA
2	44000052	GROMMET .68x.125x1	7	EA
3	46027656	GROMMET OBLONG BLACK	2	EA
4	46027653	LAMP PARK / TURN FRONT	2	EA
5	46004443	GROMMET 4"	6	EA
6	46001448	LAMP BACK UP INCANN	2	EA
7	46002266	LAMP REAR COMBO LED	4	EA
8	48200161	CAMERA BACKUP LED	1	EA
9	48200163	MONITOR BACKUP	1	EA
10	46001366	LAMP CLEARANCE MARKER PC AMBER (FRONT CENTER)	1	EA
11	46001367	LAMP CLEARANCE MARKER PC RED	7	EA
12	46001365	LAMP CLEARANCE MARKER PC AMBER	6	EA
13	46002678	LAMP DOME LED SURF MTG	3	EA
14	150091402	BRACKET DOME LAMP AL .102X10.17X25	2	EA
15	100091400	BRACKET DOME LAMP CAB AL .102X9X9	1	EA
16	46032337	MOTION DETECTOR 30 SECOND	1	EA
17	46003017	LAMP INTERMITANT WIPER	1	EA
18	46023511	SWITCH ROCKER DOOR UNLOCK SPST	1	EA
19	46023508	SWITCH ROCKER CAB DOME SPST	1	EA
20	47006164	SWITCH HEATED MIRRORS	1	EA
21	46023310	WIPER SWITCH - INTERMITTENT	1	EA
22	47008767	REPLACEMENT KNOB - WIPER SWITCH	1	EA

PAGE	PART #	DESCRIPTION	QTY.	UNIT
49	48200162	CABLE BACKUP CAMERA TO MONITOR 33'	1	EA
50	132088206	HARNESS BATTERY POS 2GA BRKR 24"	1	EA
51-52	150091201	HARNESS ROOF TO NOSE USPS 2015	1	EA
53-54	153093201	HARNESS ROOF	1	EA
55-61	155084201	HARNESS INSTRUMENT PANEL	1	EA
62	175084201	HARNESS FUSE CENTER	1	EA
63	155085200	HARNESS HOOD USPS 2015	1	EA
64-65	155088200	HARNESS WIPER / ENG	1	EA
66-67	157086201	HARNESS REAR	1	EA
68	990002213	HARNESS A/C	1	EA



DRAWING NO.	REV	SHT
132088206	REL	1 of 1
DESCRIPTION	BY	DATE
RELEASE FOR PRODUCTION		

CIRCUIT	END POINTS	FUNCTION
207	A, B	BATT +



USE SOLDER AND ADD HEAT SHRINK OVER CRIMPED LUGS

- VENDOR MAY REPLACE PIGTAILS WITH WIRING CONNECTORS. PIGTAILS SHOWN IN TERMINAL VIEW.
- HARNESS TO BE TESTED FOR CONTENTS, OPENS, SHORTS, AND CONTINUITY.
- CONNECTORS SHOWN FROM THE VIEWED, UNLESS OTHERWISE NOTED.
- SPLICES TO BE AUTOMATED WITH SOLDER AND ADHESIVE LINED HEAT SHRINK TUBING.
- TAPE [1111096]: 6" AT BREAKOUTS, 2" AT 18" INTERVALS, FOR UNINTERRUPTED LOOM LENGTHS GREATER THAN 24", AND 2" AT LOOM ENDS.
- HARNESS TO HAVE A LABEL SHOWING MORGAN OLSON PART NUMBER, REVISION AND MANUFACTURE DATE.
- SPLIT HI-TEMP POLY LOOM UNLESS OTHERWISE NOTED.
- SGX WIRE.

**NOTES:**

**PROPRIETARY**  
This drawing and the information and data contained hereon are the property of Morgan Olson and shall be used only for the purpose intended. It is not to be reproduced, stored in a retrieval system, or transmitted in any form or by any means, electronic, mechanical, photocopying, recording, or otherwise, without the prior written consent of Morgan Olson.

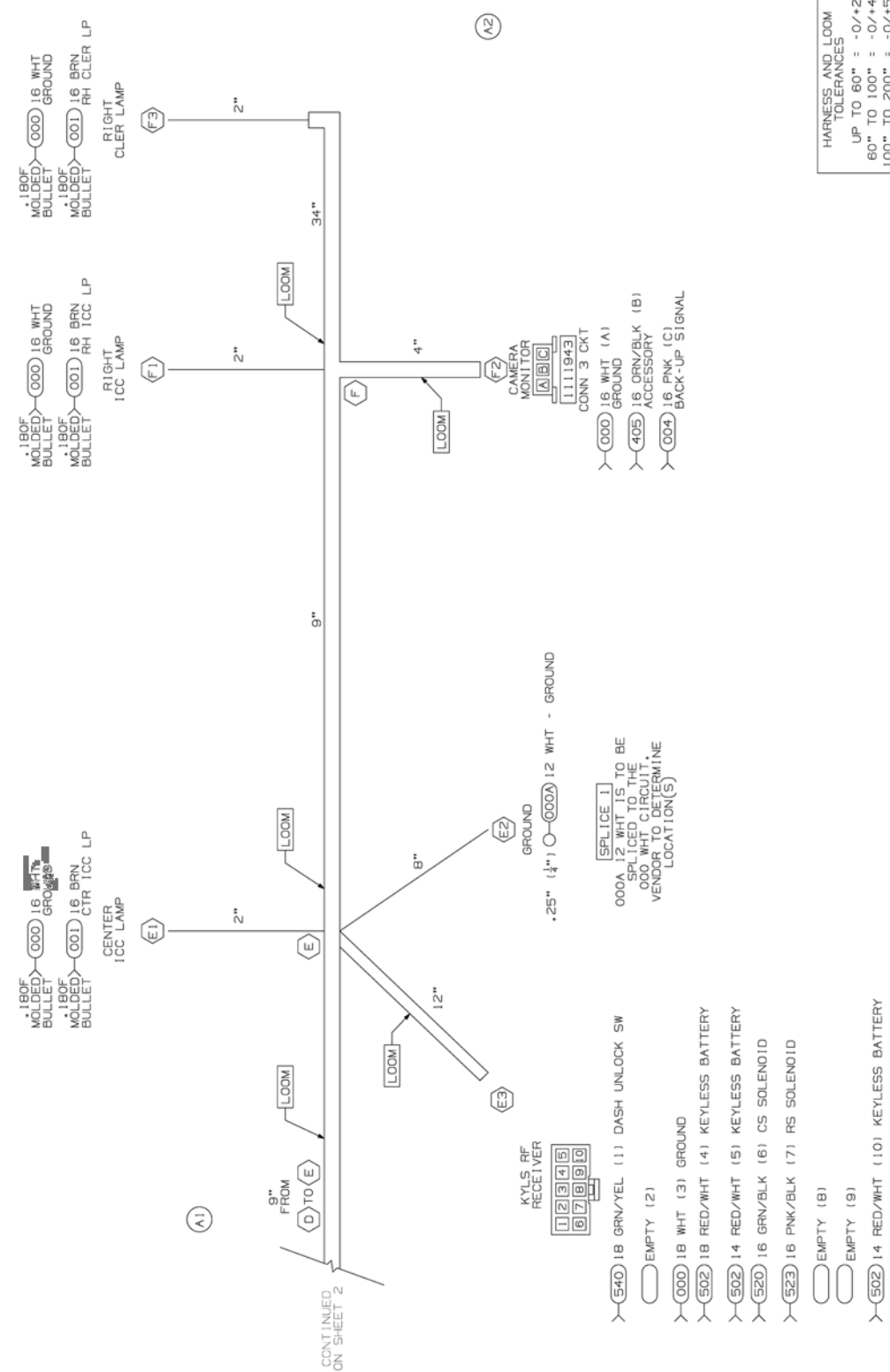
<b>MORGAN OLSON</b>		
GENERAL STANDARDS UNLESS OTHERWISE NOTED:		
1. WIRE GAUGE: 16 AWG	2. WIRE COLOR: RED	3. WIRE TYPE: SGX
4. CRIMP TOOL: 16-18 AWG	5. CRIMP LENGTH: .18"	6. CRIMP STYLE: 16-18 AWG
7. CRIMP POSITION: 1/2"	8. CRIMP SPACING: 1/2"	9. CRIMP TOLERANCE: ±.01"
10. CRIMP METHOD: 16-18 AWG	11. CRIMP MATERIAL: 16-18 AWG	12. CRIMP TEST: 16-18 AWG
13. CRIMP LOCATION: 16-18 AWG	14. CRIMP DIRECTION: 16-18 AWG	15. CRIMP ANGLE: 16-18 AWG
16. CRIMP FORCE: 16-18 AWG	17. CRIMP TIME: 16-18 AWG	18. CRIMP TEMPERATURE: 16-18 AWG
19. CRIMP PRESSURE: 16-18 AWG	20. CRIMP SPEED: 16-18 AWG	21. CRIMP VIBRATION: 16-18 AWG
22. CRIMP HUMIDITY: 16-18 AWG	23. CRIMP ALTITUDE: 16-18 AWG	24. CRIMP POLLUTION: 16-18 AWG
25. CRIMP STORAGE: 16-18 AWG	26. CRIMP SHIPPING: 16-18 AWG	27. CRIMP HANDLING: 16-18 AWG
28. CRIMP DISPOSAL: 16-18 AWG	29. CRIMP REUSE: 16-18 AWG	30. CRIMP REPAIR: 16-18 AWG

<b>HARNESS AND LOOM TOLERANCES</b>	
UP TO 60"	± 0.4 ± 2"
60" TO 100"	± 0.4 ± 4"
100" TO 200"	± 0.4 ± 5"
200" TO 400"	± 0.4 ± 6"
400" TO 600"	± 0.4 ± 7"
OVER 600"	± 0.4 ± 8"
BO TO 60"	± 0.4 ± 2"

LENGTHS APPLY FROM BREAKOUT TO BREAKOUT OR BREAKOUT TO WIRE ENTRY STRIP COVER TOP, OR END OF COVER.

DRAWING NO.	REV	SHT
132088206	REL	1 of 1
DESCRIPTION	BY	DATE
HARN BAT POS 20A BREAKER 24"		

DRAWING NO.	REV	SHT
150091201	REL	1 of 2
DESCRIPTION	BY	DATE
RELEASE FOR PRODUCTION		



- VENDOR TO GREASE FEMALE BULLET TERMINALS.
- THIS IS A PURCHASED HARNESS. NO BILL OF MATERIAL EXISTS.
- VENDOR MAY REPLACE PIGTAILS WITH WIRING TO CONNECTORS. PIGTAILS SHOWN IN TERMINAL VIEW.
- HARNESS TO BE TESTED FOR CONTENTS, OPENS, SHORTS, AND CONTINUITY.
- CONNECTORS SHOWN FROM THE VIEWED, UNLESS OTHERWISE NOTED.
- SPLICES TO BE AUTOMATED WITH SOLDER AND ADHESIVE LINED HEAT SHRINK TUBING.
- TAPE [1111096]: 6" AT BREAKOUTS, 2" AT 18" INTERVALS, FOR UNINTERRUPTED LOOM LENGTHS GREATER THAN 24", AND 2" AT LOOM ENDS.
- HARNESS TO HAVE A LABEL SHOWING MORGAN OLSON PART NUMBER, REVISION AND MANUFACTURE DATE.
- SPLIT POLY LOOM UNLESS OTHERWISE NOTED.
- SGX WIRE.

**NOTES:**

**PROPRIETARY**  
This drawing and the information and data contained hereon are the property of Morgan Olson and shall be used only for the purpose intended. It is not to be reproduced, stored in a retrieval system, or transmitted in any form or by any means, electronic, mechanical, photocopying, recording, or otherwise, without the prior written consent of Morgan Olson.

<b>MORGAN OLSON</b>		
GENERAL STANDARDS UNLESS OTHERWISE NOTED:		
1. WIRE GAUGE: 16 AWG	2. WIRE COLOR: RED	3. WIRE TYPE: SGX
4. CRIMP TOOL: 16-18 AWG	5. CRIMP LENGTH: .18"	6. CRIMP STYLE: 16-18 AWG
7. CRIMP POSITION: 1/2"	8. CRIMP SPACING: 1/2"	9. CRIMP TOLERANCE: ±.01"
10. CRIMP METHOD: 16-18 AWG	11. CRIMP MATERIAL: 16-18 AWG	12. CRIMP TEST: 16-18 AWG
13. CRIMP LOCATION: 16-18 AWG	14. CRIMP DIRECTION: 16-18 AWG	15. CRIMP ANGLE: 16-18 AWG
16. CRIMP FORCE: 16-18 AWG	17. CRIMP TIME: 16-18 AWG	18. CRIMP TEMPERATURE: 16-18 AWG
19. CRIMP PRESSURE: 16-18 AWG	20. CRIMP SPEED: 16-18 AWG	21. CRIMP VIBRATION: 16-18 AWG
22. CRIMP HUMIDITY: 16-18 AWG	23. CRIMP ALTITUDE: 16-18 AWG	24. CRIMP POLLUTION: 16-18 AWG
25. CRIMP STORAGE: 16-18 AWG	26. CRIMP SHIPPING: 16-18 AWG	27. CRIMP HANDLING: 16-18 AWG
28. CRIMP DISPOSAL: 16-18 AWG	29. CRIMP REUSE: 16-18 AWG	30. CRIMP REPAIR: 16-18 AWG

<b>HARNESS AND LOOM TOLERANCES</b>	
UP TO 60"	± 0.4 ± 2"
60" TO 100"	± 0.4 ± 4"
100" TO 200"	± 0.4 ± 5"
200" TO 400"	± 0.4 ± 6"
400" TO 600"	± 0.4 ± 7"
OVER 600"	± 0.4 ± 8"
BO TO 60"	± 0.4 ± 2"

LENGTHS APPLY FROM BREAKOUT TO BREAKOUT OR BREAKOUT TO WIRE ENTRY STRIP COVER TOP, OR END OF COVER.

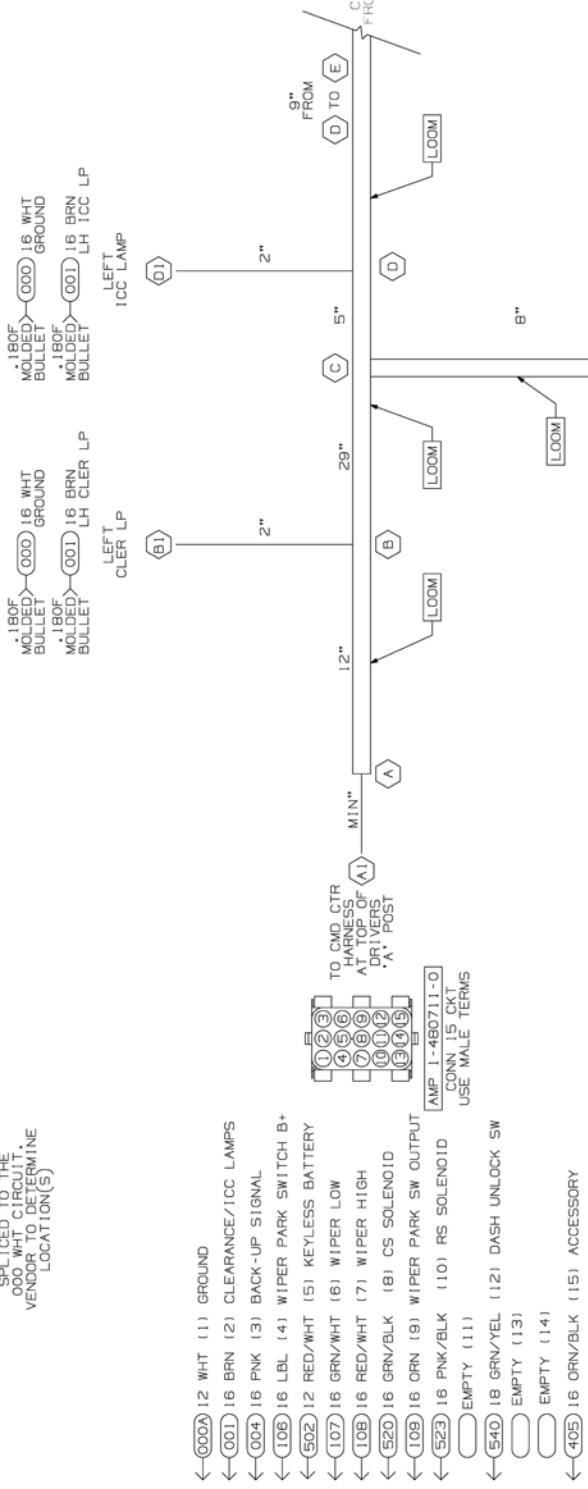
DRAWING NO.	REV	SHT
150091201	REL	1 of 2
DESCRIPTION	BY	DATE
HARN RPN0 RSF 2009 M-100		

DRAWING NO.	150091201	REV	REL	SHT
			2 of 2	
DESCRIPTION	RELEASE FOR PRODUCTION			
REV.		BY	DATE	

CIRCUIT	GA/COLOR	END POINTS	FUNCTION
109	16 ORN	A1.E1	WIPER PK SWITCH OUTPUT
405	16 ORN/BLK	A1.F2	ACCY POWER
502	14,16,18 RED/WHT	A1.E3	KEYLESS BATTERY
520	16 BRN/BLK	A1.E3	CS SOLENOID
523	16 PNK/BLK	A1.E3	RS SOLENOID
540	16 GRN/YEL	A1.E3	DASH UNLOCK SW

CIRCUIT	GA/COLOR	END POINTS	FUNCTION
000A	12 WHT	A1.E2,SPLICE 1	GROUND
000	14/16 WHT	B1,C1,D1,E1,F1,F2,F3,SPLICE 1	GROUND
001	16 BRN	A1,B1,C1,D1,F1,F3	CLEARANCE/ICC LPS
004	16 PNK	A1.F2	BACK-UP SIGNAL
106	16 LBL	A1.E1	WIPER PARK SWITCH B+
107	16 GRN/WHT	A1.E1	WIPER LOW
108	16 RED/WHT	A1.E1	WIPER HIGH

SPLICE 1  
000A 12 WHT IS TO BE  
SPLICED TO THE  
000 WHT CIRCUIT.  
VENDOR TO DETERMINE  
LOCATION(S)



- AME 317-1043 6 CKT CONN
- AME 317-1048 SPACER
- AME 317-1044 TERMINALS (5)
- (106) 16 RED/WHT (H) WIPER HIGH
- (108) 16 LBL (B) WIPER PARK B+
- (109) 16 ORN (S) WPR MTR SW OUTPUT
- (000) 14 WHT (X) GROUND
- (107) 16 GRN/WHT (L) WIPER LOW
- EMPTY (E)

- (000A) 12 WHT (1) GROUND
- (001) 16 BRN (2) CLEARANCE/ICC LAMPS
- (004) 16 PNK (3) BACK-UP SIGNAL
- (106) 16 LBL (4) WIPER PARK SWITCH B+
- (502) 12 RED/WHT (5) KEYLESS BATTERY
- (107) 16 GRN/WHT (6) WIPER LOW
- (108) 16 RED/WHT (7) WIPER HIGH
- (520) 16 GRN/BLK (8) CS SOLENOID
- (109) 16 ORN (9) WIPER PARK SW OUTPUT
- (523) 16 PNK/BLK (10) RS SOLENOID
- EMPTY (11)
- (540) 16 GRN/YEL (12) DASH UNLOCK SW
- EMPTY (13)
- EMPTY (14)
- (405) 16 ORN/BLK (15) ACCESSORY

**PROPRIETARY**  
This drawing and the information and data contained herein are the property of Morgan Olson and shall remain confidential. No part of this drawing may be reproduced, stored in a retrieval system, or transmitted in any form or by any means, electronic, mechanical, photocopying, recording, or by any information storage and retrieval system, without the prior written consent of Morgan Olson.

**MORGAN OLSON**

ORIGINAL STANDARD UNLESS OTHERWISE NOTED:  
1. DIMENSIONS IN INCHES UNLESS OTHERWISE NOTED.  
2. DIMENSIONS IN MILLIMETERS UNLESS OTHERWISE NOTED.  
3. DIMENSIONS IN METERS UNLESS OTHERWISE NOTED.  
4. DIMENSIONS IN FEET UNLESS OTHERWISE NOTED.  
5. DIMENSIONS IN METERS UNLESS OTHERWISE NOTED.  
6. DIMENSIONS IN METERS UNLESS OTHERWISE NOTED.  
7. DIMENSIONS IN METERS UNLESS OTHERWISE NOTED.  
8. DIMENSIONS IN METERS UNLESS OTHERWISE NOTED.  
9. DIMENSIONS IN METERS UNLESS OTHERWISE NOTED.  
10. DIMENSIONS IN METERS UNLESS OTHERWISE NOTED.

DATE 12AUG15  
DRAWN 45795

DO NOT SCALE

HARN RFNO USPS 2015

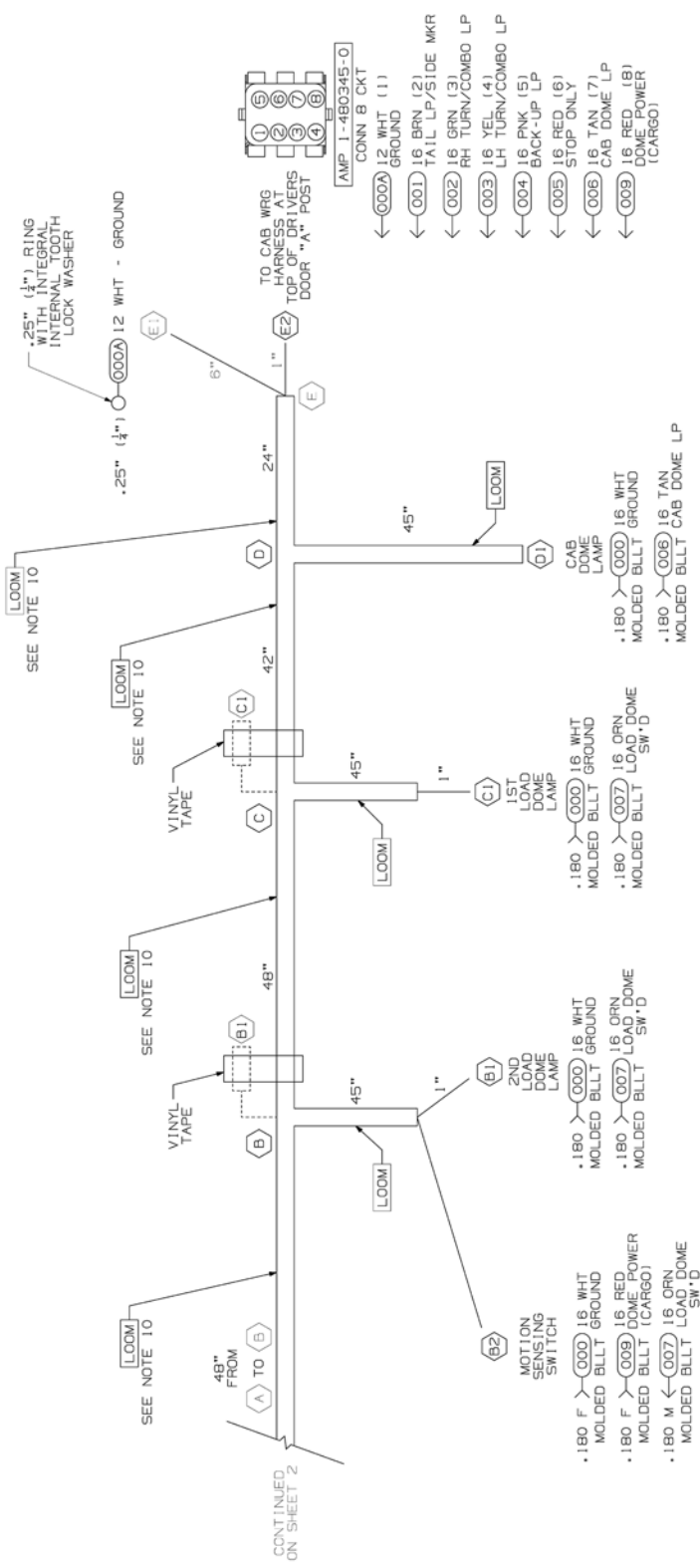
DRAWING NO. NONE

SHT 2 of 2

150091201

REL

DRAWING NO.	153093201	REV	REL	SHT
			1 of 2	
DESCRIPTION	RELEASE TO PRODUCTION			
REV.		BY	DATE	



- (000A) 12 WHT (1) GROUND
- (001) 16 BRN (2) CLEARANCE/ICC LAMPS
- (004) 16 PNK (3) BACK-UP SIGNAL
- (106) 16 LBL (4) WIPER PARK SWITCH B+
- (502) 12 RED/WHT (5) KEYLESS BATTERY
- (107) 16 GRN/WHT (6) WIPER LOW
- (108) 16 RED/WHT (7) WIPER HIGH
- (520) 16 GRN/BLK (8) CS SOLENOID
- (109) 16 ORN (9) WIPER PARK SW OUTPUT
- (523) 16 PNK/BLK (10) RS SOLENOID
- EMPTY (11)
- (540) 16 GRN/YEL (12) DASH UNLOCK SW
- EMPTY (13)
- EMPTY (14)
- (405) 16 ORN/BLK (15) ACCESSORY

**PROPRIETARY**  
This drawing and the information and data contained herein are the property of Morgan Olson and shall remain confidential. No part of this drawing may be reproduced, stored in a retrieval system, or transmitted in any form or by any means, electronic, mechanical, photocopying, recording, or by any information storage and retrieval system, without the prior written consent of Morgan Olson.

**MORGAN OLSON**

ORIGINAL STANDARD UNLESS OTHERWISE NOTED:  
1. DIMENSIONS IN INCHES UNLESS OTHERWISE NOTED.  
2. DIMENSIONS IN MILLIMETERS UNLESS OTHERWISE NOTED.  
3. DIMENSIONS IN METERS UNLESS OTHERWISE NOTED.  
4. DIMENSIONS IN FEET UNLESS OTHERWISE NOTED.  
5. DIMENSIONS IN METERS UNLESS OTHERWISE NOTED.  
6. DIMENSIONS IN METERS UNLESS OTHERWISE NOTED.  
7. DIMENSIONS IN METERS UNLESS OTHERWISE NOTED.  
8. DIMENSIONS IN METERS UNLESS OTHERWISE NOTED.  
9. DIMENSIONS IN METERS UNLESS OTHERWISE NOTED.  
10. DIMENSIONS IN METERS UNLESS OTHERWISE NOTED.

DATE 12AUG15  
DRAWN 45795

DO NOT SCALE

HARN ROOF USPS 2015

DRAWING NO. NONE

SHT 1 of 2

153093201

REL

- MAIN TRUNK OF HARNESS MUST FIT IN A .75 DIA. WIRE CHANNEL
- THIS IS A PURCHASED HARNESS. NO BILL OF MATERIAL EXISTS.
- VENDOR MAY REPLACE WITH APPROVED MOLDINGS OR CONNECTORS. PISTAILS SHOWN IN TERMINAL VIEW.
- HARNESS TO BE TESTED FOR CONTENT, OPENS, SHORTS, AND CONTINUITY.
- CONNECTORS SHOWN FROM WIRE ENTRY SIDE, UNLESS OTHERWISE NOTED.
- SPLICES TO BE AUTOMATED WITH HEAT SHRINK BUT SPLICES ARE ACCEPTABLE FOR M-O FABRICATION IF NECESSARY.
- TAPE [|||||098]: 6" AT BREAKOUTS AND 2" AT LOOM ENDS.
- HARNESS TO HAVE A LABEL SHOWING MORGAN OLSON PART NUMBER, REVISION AND DATE OF MANUFACTURE.
- SPLIT POLY LOOM UNLESS OTHERWISE NOTED.
- SXL WIRE.

HARNES AND LOOM TOLERANCES

LP TO 60"	-0/+2"
60" TO 100"	-0/+4"
100" TO 200"	-0/+5"
200" TO 400"	-0/+6"
400" TO 600"	-0/+7"
OVER 600"	-0/+8"

60 TO 80 = -0/+2"  
80 TO 100 = -0/+4"  
100 TO 200 = -0/+5"  
200 TO 400 = -0/+6"  
400 TO 600 = -0/+7"  
OVER 600 = -0/+8"

TOLERANCE IS NOT APPLICABLE TO OVERALL HARNESS LENGTH, BREAKOUT TO END, OR LOOM.

DRAWING NO.	REV	SHT
153093201	REL	2 of 2
DESCRIPTION	DATE	BY
RELEASE TO PRODUCTION		

000A 12 WHIT IS TO BE  
000A 12 WHIT CIRCUIT  
000 WHIT CIRCUIT  
VENDOR TO DETERMINE  
LOCATION(S)

CIRCUIT	DESCRIPTION	END POINTS	FUNCTION
000A	12 WHIT	A1.E1.E2, SPLICE 1	GROUND
000	14/16 WHIT	A2.B1.C1.D1, SPLICE 1	GROUND
001	16 BRN	A1.E2	CLERK/ICC LPS
002	16 GRN	A1.E2	RH TURN LP
003	16 YEL	A1.E2	LH TURN LP
004	16 PNK	A1.E2	BACK-UP LPS
005	16 RED	A1.E2	STOP LPS
006	16 TAN	D1.E2	CAB DOME LP
009	16 RED	B2.E2	DOME POWER (CARGO)
007	16 ORN	B1.B2.C1	LOAD DOME LAMPS SW'D

10. MAIN TRUNK OF HARNESS MUST FIT IN A .75 DIA. WIRE CHANNEL
9. THIS IS A PURCHASED HARNESS. NO BILL OF MATERIAL EXISTS.
8. VENDOR MAY REPLACE PIGTAILS WITH WIRING TO APPROVED MOLDINGS OR CONNECTORS. PIGTAILS SHOWN IN TERMINAL VIEW.
7. HARNESS TO BE TESTED FOR CONTENT, OPENS, SHORTS, AND CONTINUITY.
6. CONNECTORS SHOWN FROM WIRE ENTRY SIDE UNLESS OTHERWISE NOTED.
5. SPLICES TO BE AUTOMATED WITH HEAT SHRINK TUBING. HEAT SHRINK BUTT SPLICES ARE ACCEPTABLE FOR M-O FABRICATION IF NECESSARY.
4. TAPE [111109B]: 8" AT BREAKOUTS AND 2" AT LOOM ENDS.
3. HARNESS TO HAVE A LABEL SHOWING MORGAN OLSON PART NUMBER, REVISION LEVEL AND DATE OF MANUFACTURE.
2. SPLIT POLY LOOM UNLESS OTHERWISE NOTED.
1. SXL WIRE.

NOTES:

PROPRIETARY

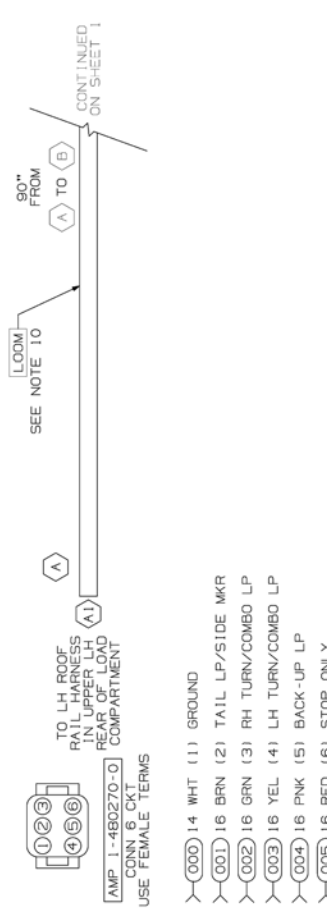
This drawing and the information and data contained hereon are the property of Morgan Olson and are controlled by Morgan Olson. No part of this drawing may be reproduced or transmitted in any form or by any means, electronic, mechanical, photocopying, recording, or by any information storage and retrieval system, without the prior written consent of Morgan Olson.



REVISION	DATE	BY	DESCRIPTION
1			ISSUED FOR PRODUCTION
2			DO NOT SCALE

HARNES AND LOOM TOLERANCES	
UP TO 60" = -0/+2"	
60" TO 100" = -0/+4"	
100" TO 200" = -0/+5"	
200" TO 400" = -0/+6"	
400" TO 600" = -0/+7"	
OVER 600" = -0/+8"	
BO TO BO = -0/+2"	

TOLERANCE IS NOT APPLICABLE TO LENGTH APPLIES TO OVERALL HARNESS LENGTH, BREAKOUT TO END, OR LOOM.



VENDOR TO KEEP LOOM SIZE AS SMALL AS POSSIBLE

DRAWING NO.	REV	SHT
155084201	REL	1 of 2
DESCRIPTION	DATE	BY
RELEASE FOR PRODUCTION		

9. THIS IS A PURCHASED HARNESS. NO BILL OF MATERIAL EXISTS.
8. VENDOR MAY REPLACE PIGTAILS WITH WIRING TO APPROVED MOLDINGS OR CONNECTORS. PIGTAILS SHOWN IN TERMINAL VIEW, UNLESS OTHERWISE NOTED.
7. HARNESS TO BE TESTED FOR CONTENT, OPENS, SHORTS, AND CONTINUITY.
6. CONNECTORS SHOWN FROM WIRE ENTRY SIDE, UNLESS OTHERWISE NOTED.
5. SPLICES TO BE AUTOMATED WITH SOLDER, AND ADHESIVE LINED HEAT SHRINK TUBING.
4. TAPE [111109B]: 8" AT BREAKOUTS AND 2" AT LOOM ENDS.
3. HARNESS TO HAVE A LABEL SHOWING MORGAN OLSON PART NUMBER, REVISION MANUFACTURE.
2. SPLIT POLY LOOM UNLESS OTHERWISE NOTED.
1. SXL WIRE.

NOTES:

PROPRIETARY

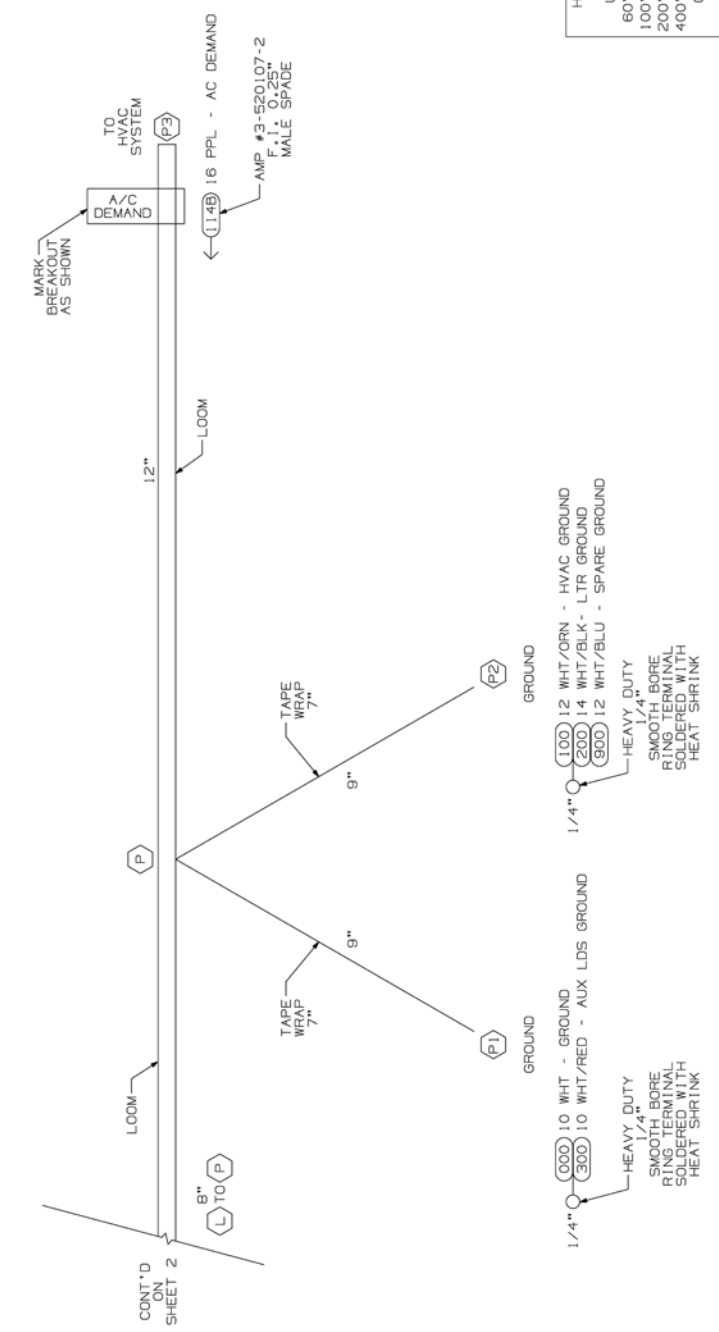
This drawing and the information and data contained hereon are the property of Morgan Olson and are controlled by Morgan Olson. No part of this drawing may be reproduced or transmitted in any form or by any means, electronic, mechanical, photocopying, recording, or by any information storage and retrieval system, without the prior written consent of Morgan Olson.



REVISION	DATE	BY	DESCRIPTION
1			ISSUED FOR PRODUCTION
2			DO NOT SCALE

HARNES AND LOOM TOLERANCES	
UP TO 60" = -0/+2"	
60" TO 100" = -0/+4"	
100" TO 200" = -0/+5"	
200" TO 400" = -0/+6"	
400" TO 600" = -0/+7"	
OVER 600" = -0/+8"	
BO TO BO = -0/+2"	

TOLERANCE IS NOT APPLICABLE TO LENGTH APPLIES TO OVERALL HARNESS LENGTH, BREAKOUT TO END, OR LOOM.



REV	DESCRIPTION	BY	CHK	DATE	SHT
155084201					2 OF 2
RELEASE FOR PRODUCTION					

PREFERRED CONSTRUCTION PIGTAIL WITH THE FORD CONNECTOR AND APPROPRIATE TERMINALS, USING WIRE GAUGES AND COLORS PER TABLE BELOW.

- 001 - 14/16 BRN
- 005 - 14 RED
- 202 - 10 YEL
- 042 - 16 GRN/BLK
- 043 - 16 YEL/BLK
- 052 - 14 GRN
- 053 - 14 YEL

**ALTERNATE CONSTRUCTION**  
 1. LOCATE FORD DUNNAGE 9C24-13A718-AC PIGTAIL (INST-21).  
 2. SPLICE INTO HARNESS TRUNK AS SHOWN, STAGGERING SPLICES FOR NEAT WIRE BUNDLE LAY.  
 3. UNUSED LEADS MAY BE TRIMMED BACK TO IMPROVE NEATNESS.  
 4. APPLY HEAT SHRINK TUBING TO UNUSED LEADS.

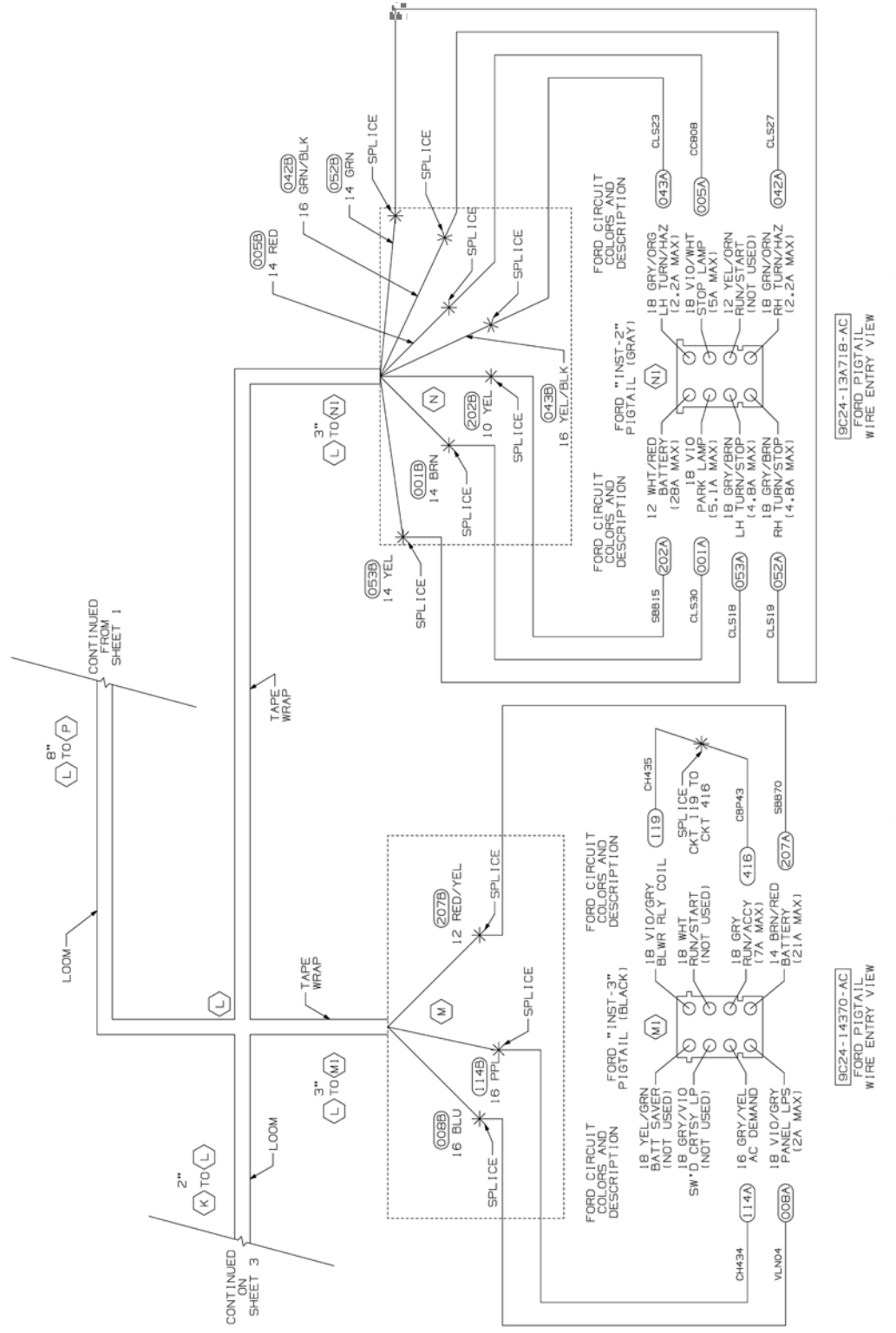
**ALTERNATE CONSTRUCTION REQUIRES FORD PIGTAIL TO BE SHIPPED TO WIRE HARNESS SUPPLIER FROM MORGAN OLSON.**

PREFERRED CONSTRUCTION PIGTAIL WITH THE FORD CONNECTOR AND APPROPRIATE TERMINALS, USING WIRE GAUGES AND COLORS PER TABLE BELOW.

- 008 - 16 BLU
- 114 - 16 GRN
- 207 - 12 RED/YEL
- 416 - 16 GRN

**ALTERNATE CONSTRUCTION**  
 1. LOCATE FORD DUNNAGE 9C24-14370-AC PIGTAIL (INST-3).  
 2. SPLICE INTO HARNESS TRUNK AS SHOWN, STAGGERING SPLICES FOR NEAT WIRE BUNDLE LAY.  
 3. UNUSED LEADS MAY BE TRIMMED BACK TO IMPROVE NEATNESS.  
 4. APPLY HEAT SHRINK TUBING TO UNUSED LEADS.

**ALTERNATE CONSTRUCTION REQUIRES FORD PIGTAIL TO BE SHIPPED TO WIRE HARNESS SUPPLIER FROM MORGAN OLSON.**



9C24-14370-AC FORD PIGTAIL WIRE ENTRY VIEW

9C24-13A718-AC FORD PIGTAIL WIRE ENTRY VIEW

REV	DESCRIPTION	BY	CHK	DATE	SHT
155084201					2 OF 2
RELEASE FOR PRODUCTION					

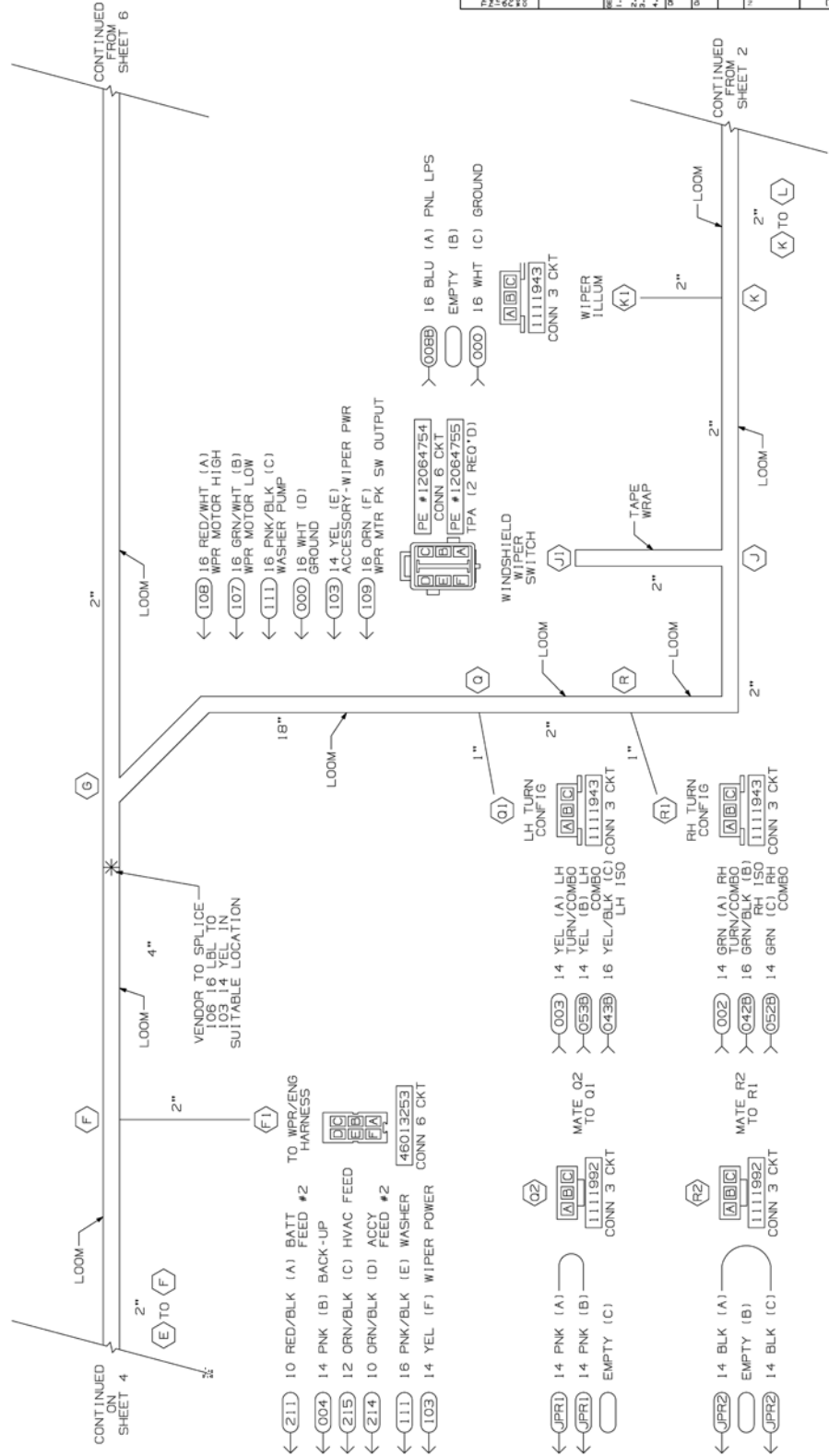
PROPRIETARY  
 This drawing and the information and data contained herein are the property of Morgan Olson and are confidential. No part of this drawing may be reproduced or transmitted in any form or by any means, electronic or mechanical, including photocopying, recording, or by any information storage and retrieval system, without the prior written consent of Morgan Olson.

**MORGAN OLSON**

GENERAL STANDARD VALUE STREAMLINE NOTCH  
 1. MATERIALS: U.S. DIMENSIONS  
 2. DIMENSIONS: DIMENSIONS ARE IN INCHES UNLESS OTHERWISE SPECIFIED  
 3. FINISH: UNLESS OTHERWISE SPECIFIED, ALL DIMENSIONS ARE TO BE UNLESS OTHERWISE SPECIFIED  
 4. DIMENSIONS: DIMENSIONS ARE TO BE UNLESS OTHERWISE SPECIFIED

DATE: 18AUG15  
 TIME: 45755  
 DO NOT SCALE  
 HARN 1/P E-SERIES  
 USPS 2015  
 DRAWING NO.: 155084201  
 SCALE: NONE  
 REV: 2 OF 2

REV	DESCRIPTION	BY	CHK	DATE	SHT
155084201					3 OF 2
RELEASE FOR PRODUCTION					



9C24-13A718-AC FORD PIGTAIL WIRE ENTRY VIEW

REV	DESCRIPTION	BY	CHK	DATE	SHT
155084201					3 OF 2
RELEASE FOR PRODUCTION					

PROPRIETARY  
 This drawing and the information and data contained herein are the property of Morgan Olson and are confidential. No part of this drawing may be reproduced or transmitted in any form or by any means, electronic or mechanical, including photocopying, recording, or by any information storage and retrieval system, without the prior written consent of Morgan Olson.

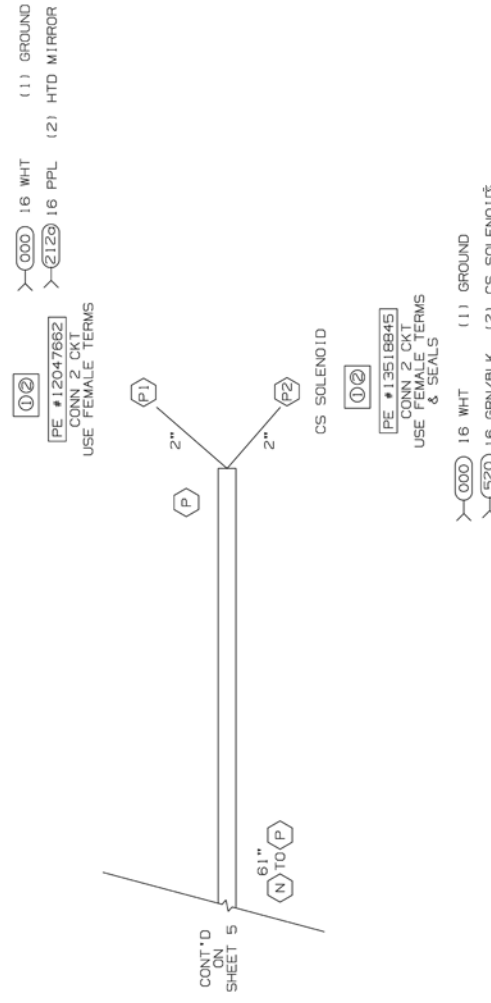
**MORGAN OLSON**

GENERAL STANDARD VALUE STREAMLINE NOTCH  
 1. MATERIALS: U.S. DIMENSIONS  
 2. DIMENSIONS: DIMENSIONS ARE IN INCHES UNLESS OTHERWISE SPECIFIED  
 3. FINISH: UNLESS OTHERWISE SPECIFIED, ALL DIMENSIONS ARE TO BE UNLESS OTHERWISE SPECIFIED  
 4. DIMENSIONS: DIMENSIONS ARE TO BE UNLESS OTHERWISE SPECIFIED

DATE: 18AUG15  
 TIME: 45755  
 DO NOT SCALE  
 HARN 1/P E-SERIES  
 USPS 2015  
 DRAWING NO.: 155084201  
 SCALE: NONE  
 REV: 3 OF 2



REV	155084201	SHT	6 of 7
DESCRIPTION	RELEASE FOR PRODUCTION	DATE	
DATE		DATE	



PROPRIETARY

This drawing and the information and data contained herein are the property of Morgan Olson and shall be used only for the purpose intended. All rights are reserved. For any further information, please contact Morgan Olson.

**MORGAN OLSON**

MINIMUM STANDARD VALUE ORIENTED NOTCH

1. MATERIALS: A. U.S. DIMENSIONS: B. MFG. TOLERANCES: C. FINISH: D. PART NUMBERING: ALL DIMENSIONS UNLESS OTHERWISE SPECIFIED ARE IN INCHES.
2. FINISH: UNLESS OTHERWISE SPECIFIED, ALL DIMENSIONS ARE TO BE MAINTAINED AS SHOWN.
3. DIMENSIONS: UNLESS OTHERWISE SPECIFIED, ALL DIMENSIONS ARE TO BE MAINTAINED AS SHOWN.
4. DIMENSIONS: UNLESS OTHERWISE SPECIFIED, ALL DIMENSIONS ARE TO BE MAINTAINED AS SHOWN.

DATE: 18AUG15  
DRAWING NO.: 155084201  
SCALE: NONE  
REV: 7 of 7

HARN 1/P E-SERIES  
USFS 2015

CIRCUIT	DESCRIPTION	END POINTS	FUNCTION
000	10/12/16 WHT	A1,A2,H1,J1,K1,P1	GROUND
001A	18 V10 GRN	N,N1	CLER/MKR/ICC LAMPS
001B	14/16 BRN	A1,A2,N	CLER/MKR/ICC LAMPS
002	14 GRN	A2,R1	RH TURN/COMBO
003	14 YEL	A2,O1	LH TURN/COMBO
004	14/16 PPK	A1,A2,F1	BACKUP SIGNAL
005A	18 V10/WHI	N,N1	STOP ONLY
005B	14 RED	A2,N	STOP ONLY
007	14 GRN	A2,H2	LOAD DOME LAMP(S)
008A	18 V10/GRY	M,M1	DASH ILLUMINATION
008B	16 BLU	H1,K1,M	DASH ILLUMINATION
009	12/16 RED	D1,F2,H1	DOME BATTERY FEED
042A	18 GRN/ORN	N,N1	RH ISO TURN
042B	16 GRN/BLK	N,R1	RH ISO TURN
043A	18 GRY/ORN	N,N1	LH ISO TURN
043B	16 YEL/BLK	N,O1	LH ISO TURN
052A	18 GRY/BRN	N,N1	RH TURN COMBO
052B	14 GRN	N,R1	RH TURN COMBO
053A	18 GRY/BRN	N,N1	LH TURN COMBO
053B	14 YEL	N,O1	LH TURN COMBO
090	16 BLU/WHI	A2,H1	LOAD DM SW SW
091	16 BLU/YEL	A2,H1	LOAD DM SW SW
100	12 WHI/ORN	H2,P2	HVAC GROUND
101	12 ORN	E1,H1	ELEX HVAC POWER
103	14 YEL	F1,J1,SPLICE	WIPER POWER TACCY1
106	16 BL	A1,SPLICE	WIPER PARK SWITCH B+
107	16 GRN/WHI	A1,J1	WIPER LOW
109	16 RED/WHI	A1,J1	WIPER MOTOR SWITCH
111	16 PPK/BLK	F1,J1	WASHER PUMP
114A	16 GRY/YEL	M,M1	AC DEMAND
114B	16 PPL	M,P3	AC DEMAND
116	14 RED/GRN	E1,H1	LIGHTER/12V OUTLET
118	16 GRY	G1,H1	LOAD DOME RELAY COIL B+
119	18 V10/GRY	M1,M1	HVAC BLOWER RELAY COIL
200	14 WHI/BLK	H2,P2	LIGHTER/12V OUTLET GND
202A	12 WHI/RED	N,N1	BATTERY FEED #1
202B	10 YEL	E1,N	BATTERY FEED #1
204	14 RED/BLK	B2,D1,H1	AUX BATTERY POWER
206	12 ORN/BLK	B2,D1,H1	AUX ACCESSORY POWER
207A	14 BRN/RED	M,M1	SPARE BATTERY FEED
207B	12 RED/YEL	E1,M	SPARE BATTERY FEED
211	10 RED/BLK	D1,F1	BATTERY FEED #2
214	10 ORN/BLK	D1,F1	ACCESSORY FEED #2
215	12 ORN/BLK	E1,F1	HVAC POWER FEED TACCY1
224	14 RED/GRN	A1,A2,H2	SWITCHED BATTERY LOADS
226	14 ORN/GRN	A1,A2,H2	SWITCHED ACCESSORY LOADS
300	10/12 WHI/RED	A1,B2,H1,P1	AUXILIARY LOADS GND
304	16 YEL/BLK	A1,H2	DASH FAN LOW
305	16 GRN/BLK	A1,H2	DASH FAN HIGH
306	16 TAN	A2,H2	CAB DOME LAMP
400	16 GRY/BLK	B1,H2	RH SPEAKER (-)
401	16 GRY/WHI	B1,H2	RH SPEAKER (+)
402	16 WHI/BLK	B1,H2	LH SPEAKER (-)
403	16 WHI/GRN	B1,H2	LH SPEAKER (+)
404	14 YEL/RED	E1,H1	RADIO BATTERY POWER
405	16 ORN/BLK	A1,O1,H1	RDO/FAN/CAM ACCY POWER
416	18 GRY	M1,M1	RUN/ACCESSORY
900	12 WHI/BLU	C1,P2	SPARE GROUND
904	12 RED/WHI	C1,E1	SPARE BATTERY POWER
JPR1	14 PPK	O2,O2	LH TURN JUMPER
JPR2	14 BLK	R2,R2	RH TURN JUMPER

PROPRIETARY

This drawing and the information and data contained herein are the property of Morgan Olson and shall be used only for the purpose intended. All rights are reserved. For any further information, please contact Morgan Olson.

**MORGAN OLSON**

MINIMUM STANDARD VALUE ORIENTED NOTCH

1. MATERIALS: A. U.S. DIMENSIONS: B. MFG. TOLERANCES: C. FINISH: D. PART NUMBERING: ALL DIMENSIONS UNLESS OTHERWISE SPECIFIED ARE IN INCHES.
2. FINISH: UNLESS OTHERWISE SPECIFIED, ALL DIMENSIONS ARE TO BE MAINTAINED AS SHOWN.
3. DIMENSIONS: UNLESS OTHERWISE SPECIFIED, ALL DIMENSIONS ARE TO BE MAINTAINED AS SHOWN.
4. DIMENSIONS: UNLESS OTHERWISE SPECIFIED, ALL DIMENSIONS ARE TO BE MAINTAINED AS SHOWN.

DATE: 18AUG15  
DRAWING NO.: 155084201  
SCALE: NONE  
REV: 7 of 7

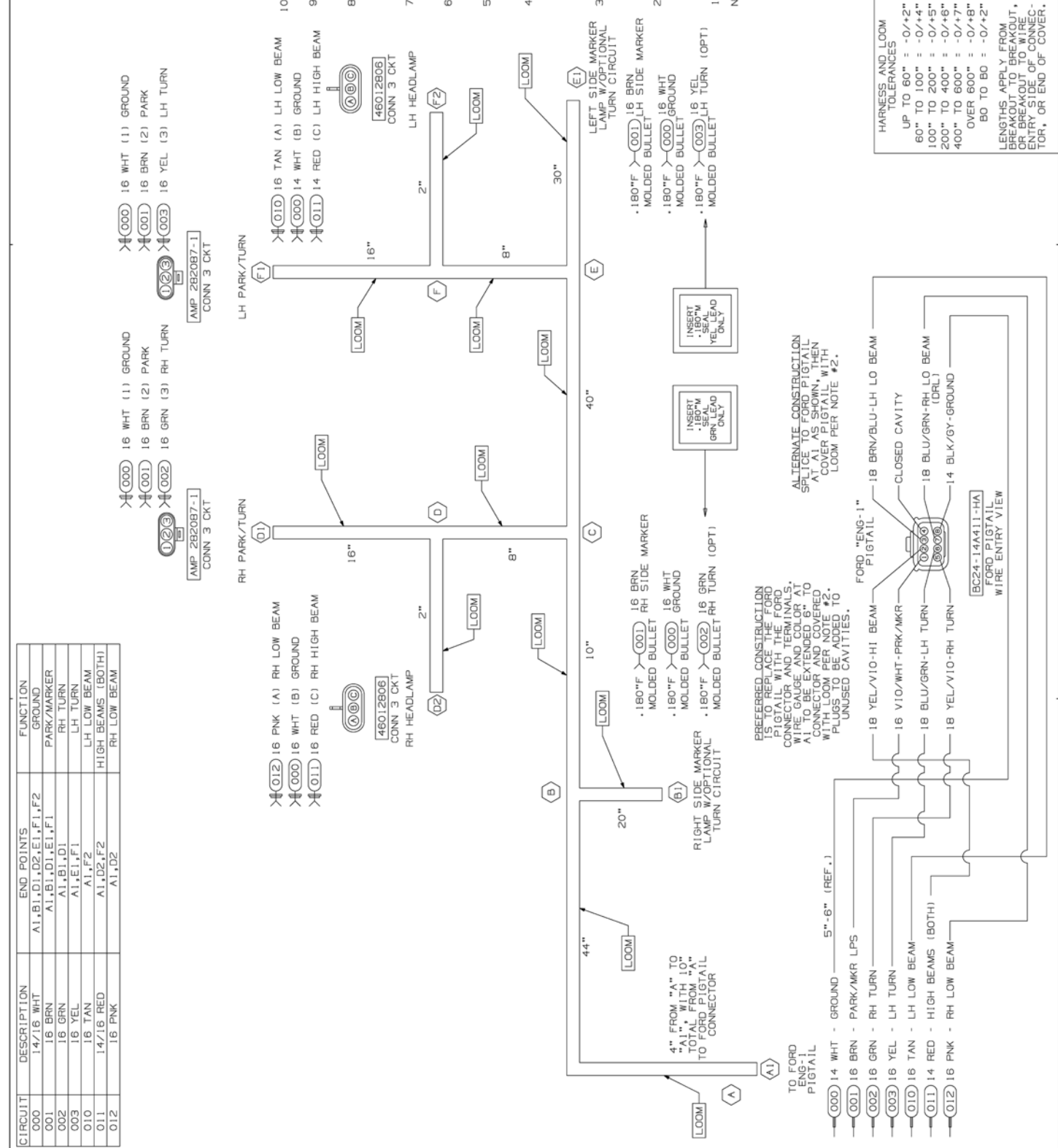
HARN 1/P E-SERIES  
USFS 2015

\*SEE NOTES

OPTIONAL: CIRCUITS 400 & 401 MAY BE SUPPLIED AS STANDARD SPEAKER "ZIP CORD" PAIRS. CIRCUIT NUMBER AND CONNECTOR INDEXING MUST BE MAINTAINED AS SHOWN.

OPTIONAL: CIRCUITS 402 & 403 MAY BE SUPPLIED AS STANDARD SPEAKER "ZIP CORD" PAIRS. CIRCUIT NUMBER AND CONNECTOR INDEXING MUST BE MAINTAINED AS SHOWN.

DRAWING NO.	REV	SHT
155085200	REL	1 of 1
DESCRIPTION	BY	DATE
RELEASE FOR PRODUCTION		



**PROPRIETARY**

**MORGAN OLSON**

THIS DRAWING AND THE INFORMATION AND DATA CONTAINED HEREIN ARE THE PROPERTY OF MORGAN OLSON AND ARE TO BE KEPT CONFIDENTIAL. NO PART OF THIS DRAWING IS TO BE REPRODUCED OR TRANSMITTED IN ANY FORM OR BY ANY MEANS, ELECTRONIC OR MECHANICAL, INCLUDING PHOTOCOPYING, RECORDING, OR BY ANY INFORMATION STORAGE AND RETRIEVAL SYSTEM. ANY UNAUTHORIZED REPRODUCTION OR USE OF THIS DRAWING IS STRICTLY PROHIBITED. © 2015 MORGAN OLSON. ALL RIGHTS RESERVED.

**REVISED:**

REV	DATE	DESCRIPTION
ALL	12AUG15	45755
1	12AUG15	

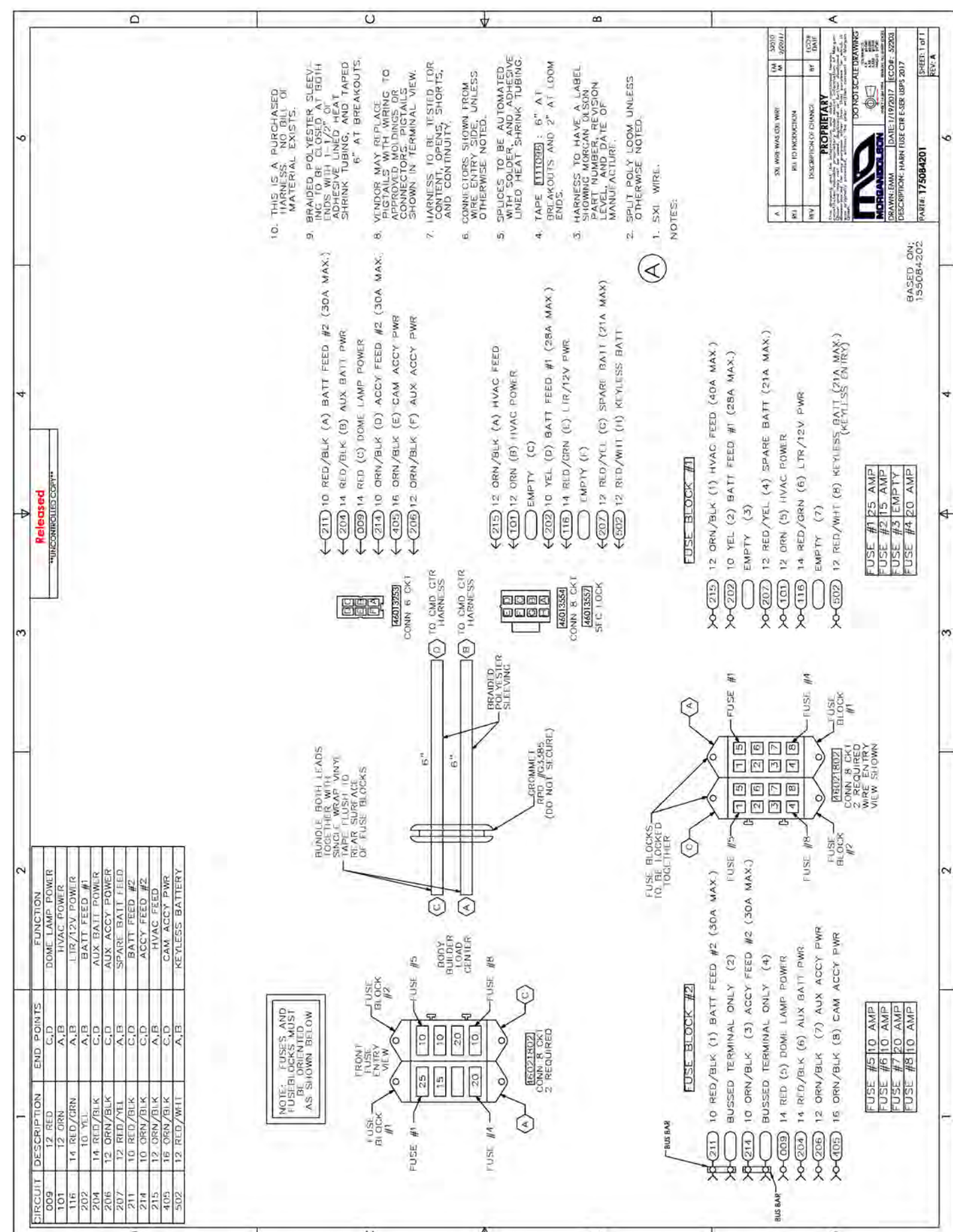
**DO NOT SCALE** 2015 USPS

**NAME:** HARN\_HD\_USPS 2015 LED/F/P/P1

**DRAWING NO.:** 155085200

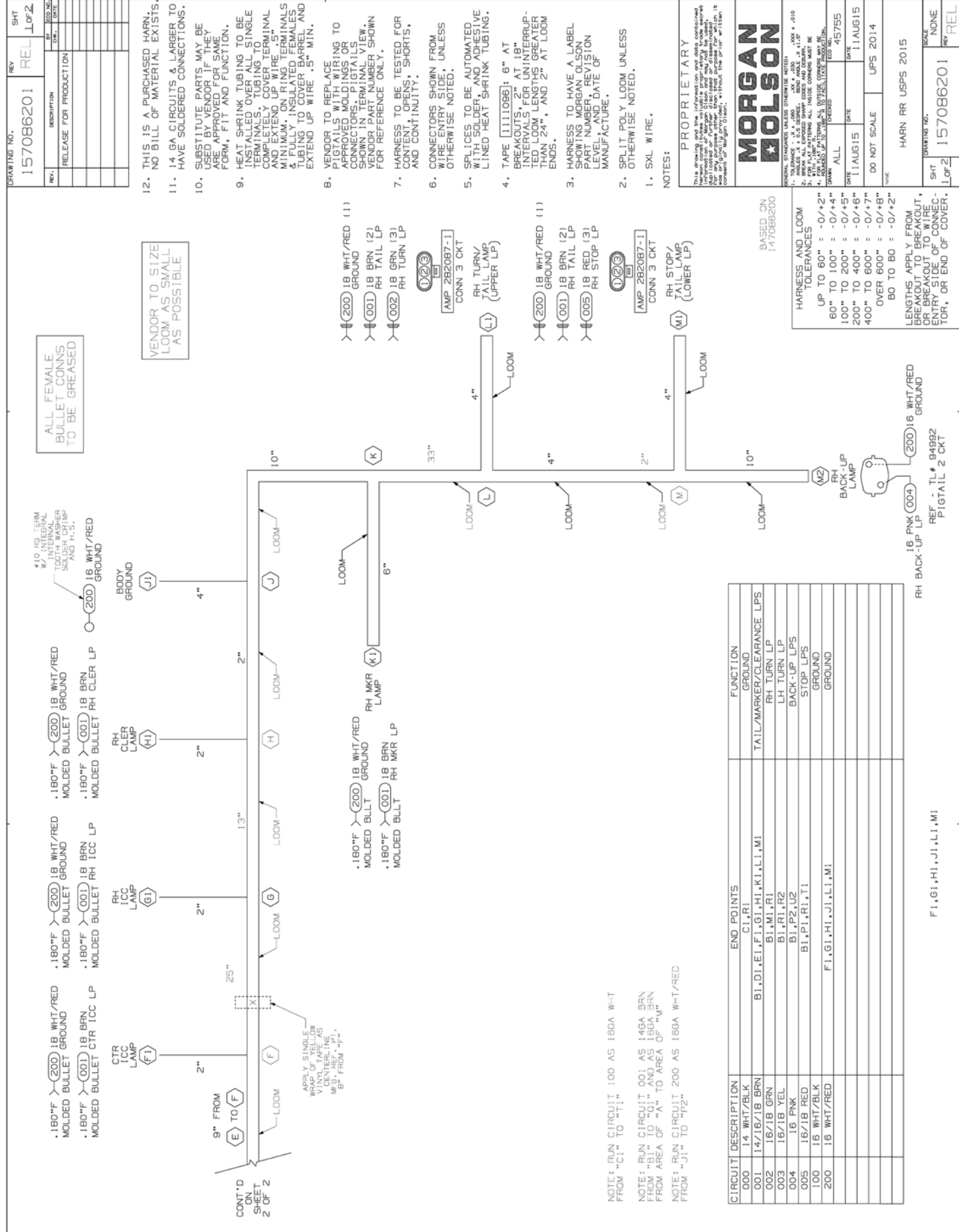
**REV:** NONE

**REV. A**









REV 157086201 REL 2 OF 2

DESCRIPTION FOR PRODUCTION

DATE 11AUG15

SCALE NONE

157086201 REL

HARN RR USPS 2015

USPS 2015

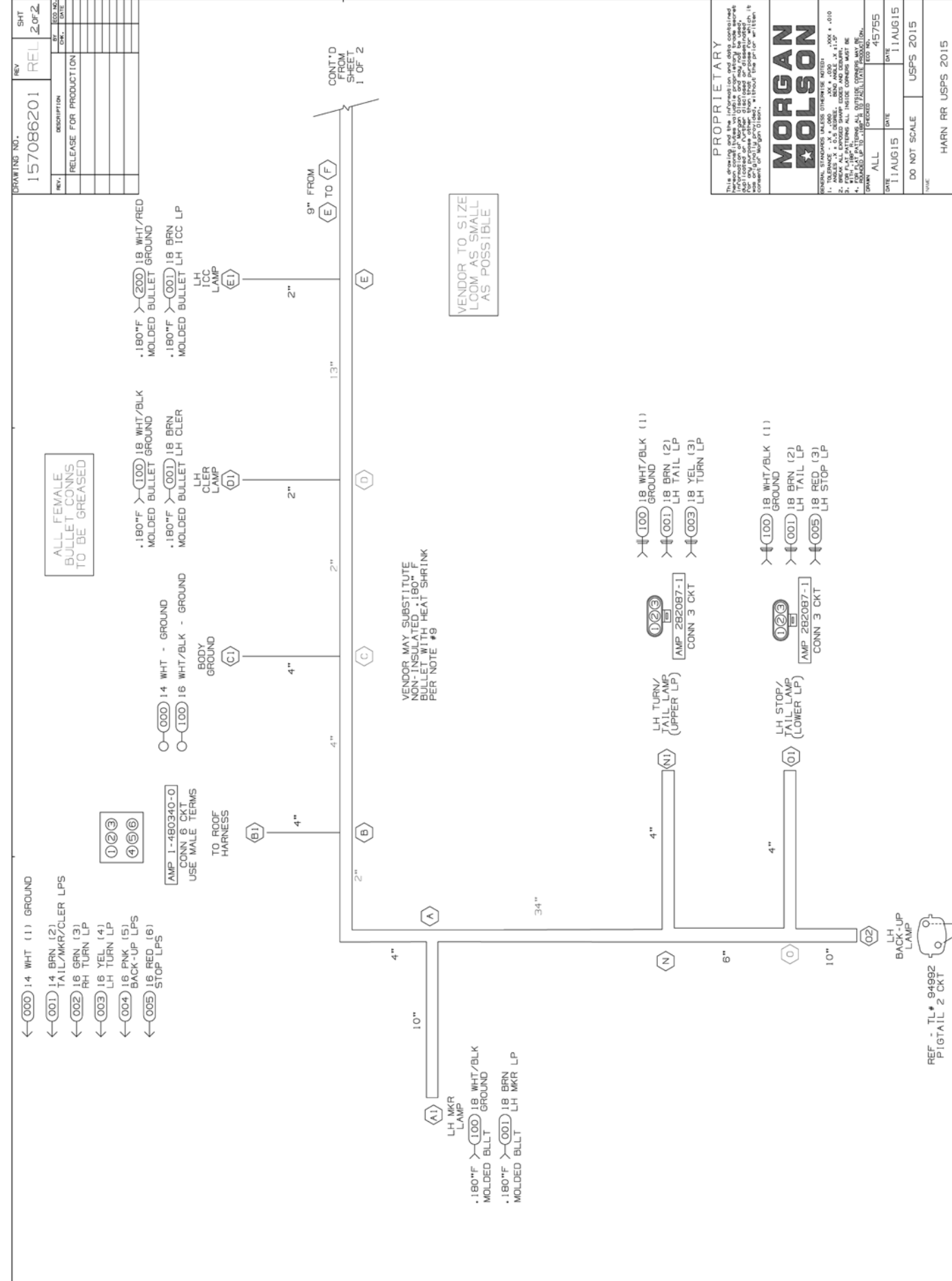
157086201 REL

USPS 2015

157086201 REL

USPS 2015

157086201 REL



REV 157086201 REL 2 OF 2

DESCRIPTION FOR PRODUCTION

DATE 11AUG15

SCALE NONE

157086201 REL

HARN RR USPS 2015

USPS 2015

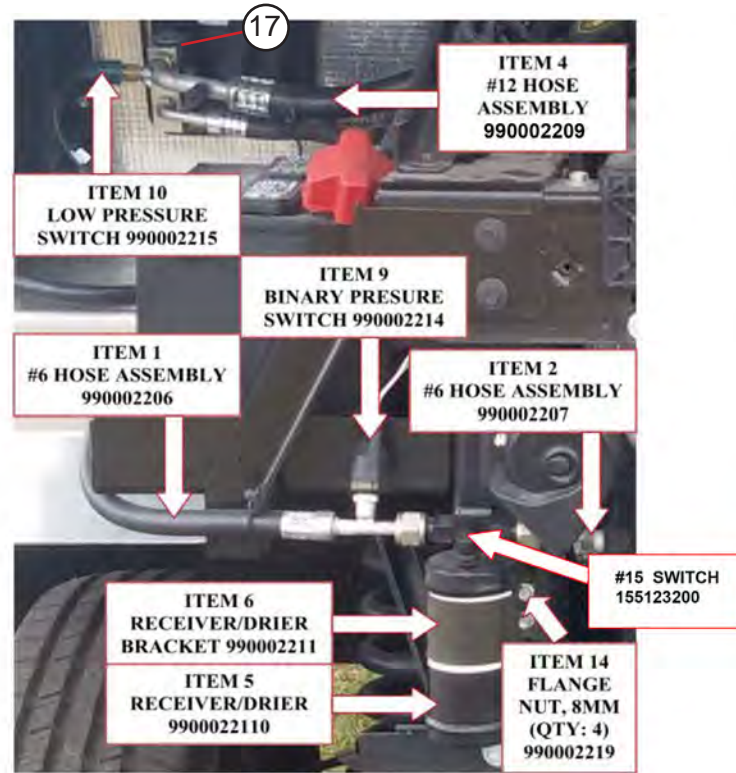
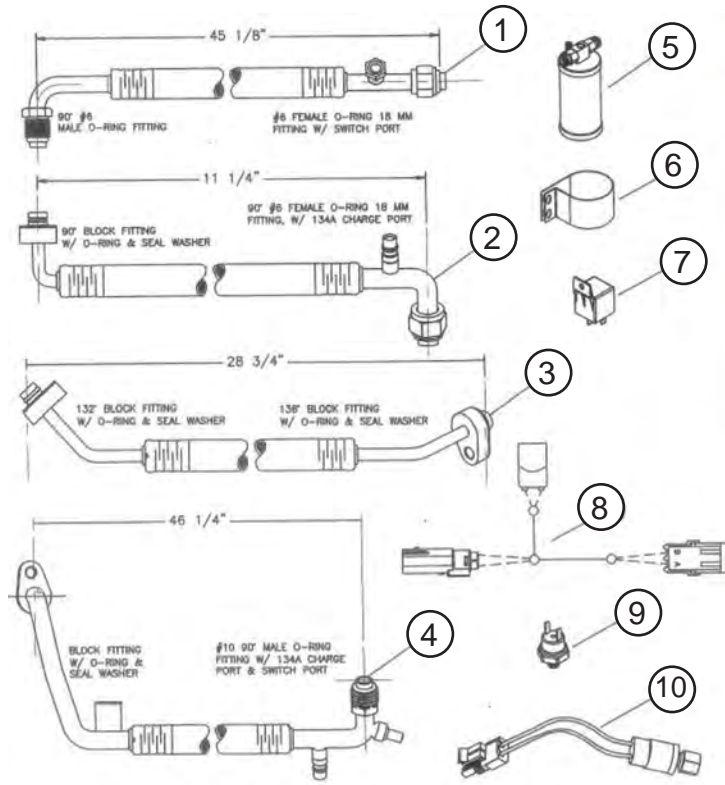
157086201 REL

USPS 2015

157086201 REL

USPS 2015

157086201 REL



FOR UNITS WITH V-8 ENGINE		
ITEM #	PART #	DESCRIPTION
1	990002206	#6 HOSE ASSEMBLY (RECEIVER/DRIER TO EVAPORATOR)
2	990002207	#6 HOSE ASSEMBLY (CONDENSOR TO RECEIVER/DRIER)
3	990002208	#8 HOSE ASSEMBLY (COMPRESSOR TO CONDENSOR)
4	990002209	#12 HOSE ASSEMBLY (EVAPORATOR TO COMPRESSOR)
5	990002210	RECEIVER / DRIER
6	990002211	RECEIVER / DRIER BRACKET
7	990002212	RELAY
8	990002213	WIRE HARNESS
9	990002214	BINARY PRESSURE SWITCH
10	990002215	LOW PRESSURE SWITCH
NS	990002216	LABEL, REFRIGERANT
NS	990002217	#6 O-RING QTY. 2
NS	990002218	#10 O-RING QTY. 2
14	990002219	FLANGE NUT, 8MM QTY. 4
17	47008138	EXPANSION VALVE
FOR UNITS WITH V-10 ENGINE		
15	155123200	SWITCH
NS		WIRE HARNESS