

**UNITED STATES POSTAL SERVICE**  
**2- TON DELIVERY TRUCK**  
**PARTS CATALOG**



**MORGAN**  
**★ OLSON®**

1801 S. Nottawa Street

Sturgis, MI 49091

Phone 800-233-4823

Fax (616-659-0499)

[www.morganolson.com](http://www.morganolson.com)

[www.morganolsonparts.com](http://www.morganolsonparts.com)

**FOR PILOT VEHICLES ONLY - UNIT #s 6530001 thru 6530006**



TABLE OF CONTENTS	4
INTRODUCTION	5
CAB - WINDSHIELD - ENGINE BOX	6-7
STEPS - ENGINE BOX INSULATION	8-9
HEATER - DEFROSTER	10-11
HOOD	12-13
INSTRUMENT PANEL & SEATS	14-15
FLOOR	16-17
SIDES	18-19
ROOF	20-21
BACK	22-23
BULKHEAD	24-25
SIDE DOORS	26-27
SIDE DOOR POCKETS	28-29
ROLL UP DOOR	30-35
SHELVING / CARGO CONTROL	36-37
BUMPERS	38-39
MIRRORS & WIPER ASSEMBLY	40-42
KEYLESS SYSTEMS	43
LIFTGATE	44-45
MISCELLANEOUS	46-47
ELECTRICAL	48-71

This parts catalog applies to the following package delivery vehicles;

VIN #	UNIT#	
1FC3E3KL6GDC17577	6530001	W/O LIFT GATE
1FC3E3KL6GDC27459	6530003	W/O LIFT GATE
1FC3E3KL6GDC27460	6530004	W/O LIFT GATE
1FC3E3KL4GDC17576	6530002	WITH/ LIFT GATE
1FC3E3KL2GDC28401	6530006	WITH/ LIFT GATE

This parts guide contains illustrations and part numbers for United States Postal Service Package Delivery Vehicles and applies to bill of material # JV001218 and JV001219, produced in 2015.

This book has been divided into chapters. Each chapter has illustrations with part numbers and descriptions. Each part is pointed out to help identify it. Orientation references are from the rear of the vehicle facing forward. LH (LEFT HAND) is ROADSIDE and RH (RIGHT HAND) is CURBSIDE. Items listed as "Installations" include all fasteners and parts required for completion. Items listed as "Assemblies" include the parts but do not include the common fasteners; nuts, bolts, rivets and washers, required for completion.

**Procedure to Order Parts**

1. Depending on the part desired, turn to the appropriate section.
2. Locate the desired part on the Illustration Page(s) and note it's number.
3. Contact a Morgan Olson Service Parts Representative. Have part numbers readily available.
4. When placing orders, specify serial numbers.

Parts are also available from our parts website at [www.morganolsonparts.com](http://www.morganolsonparts.com).

FOR WARRANTY INFORMATION CALL 1-800-262-3437

ANY QUESTIONS OR CONCERNS SHOULD BE DIRECTED TO YOUR SERVICE PARTS REPRESENTATIVE AT 1-800-233-4823

At Morgan Olson, our quest for quality and safety is ongoing and therefore the specifications on the product described herein may vary over time. Please contact Morgan Olson for the latest product information and available safety features and options.

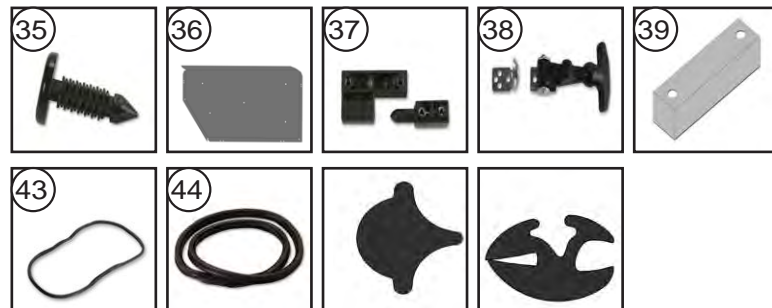
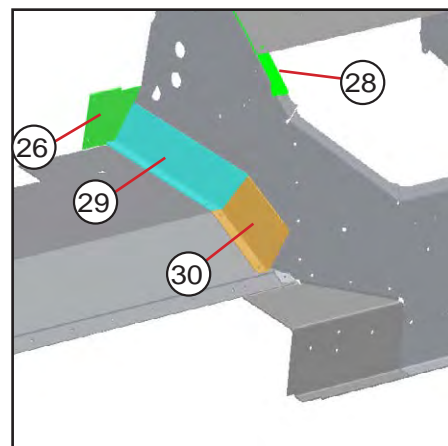
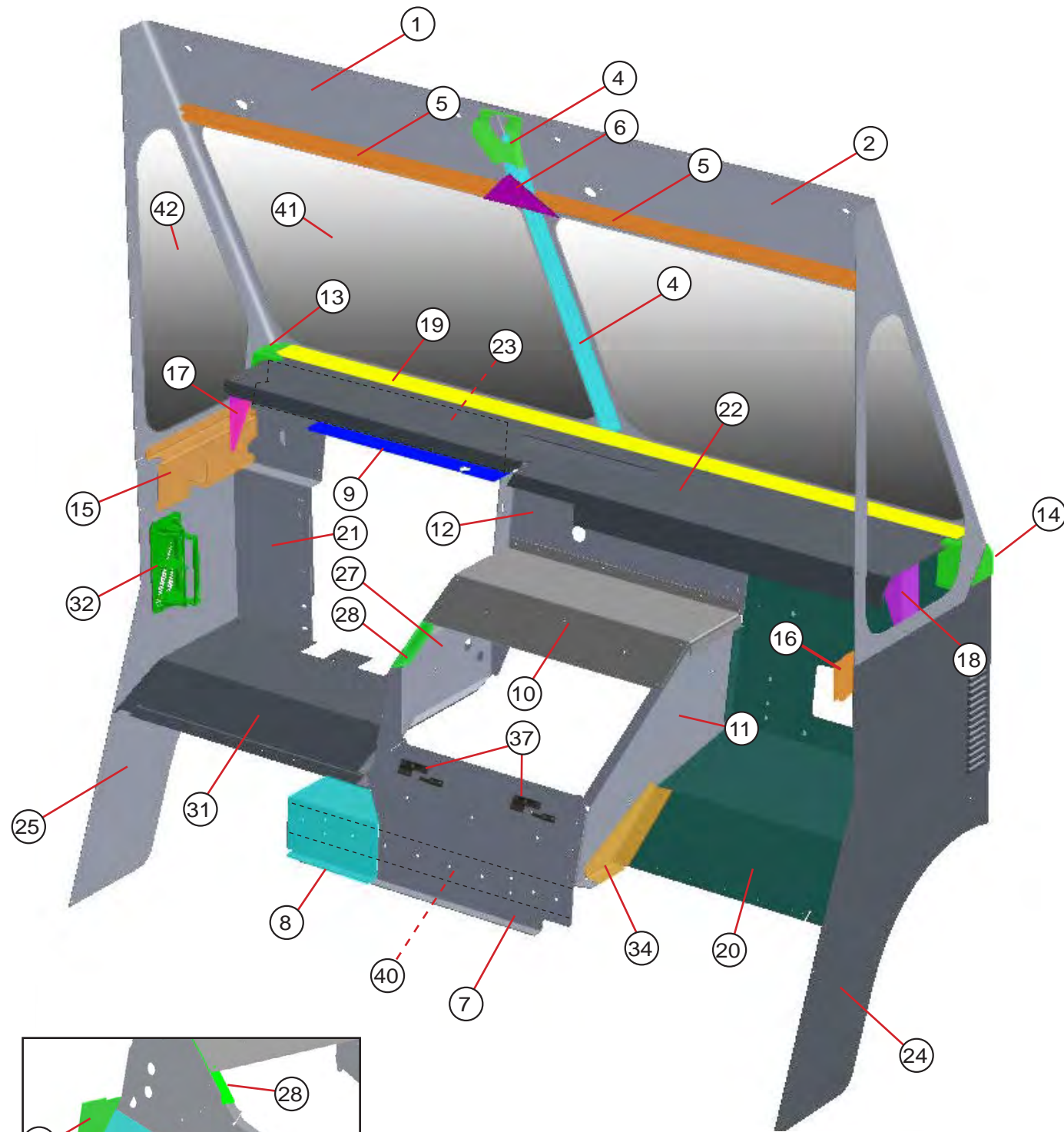
Latest version of all documents available at;  
[www.morganolsonparts.com/t-usps\\_manuals.aspx](http://www.morganolsonparts.com/t-usps_manuals.aspx)  
Access code: usps2016

This catalog is for pilot vehicles only

This catalog is for pilot vehicles only

This catalog is for pilot vehicles only

This catalog is for pilot vehicles only



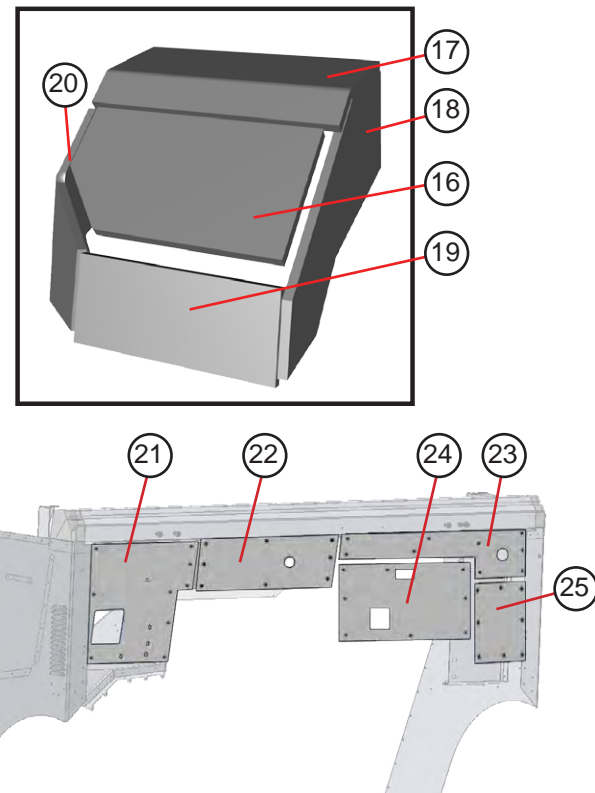
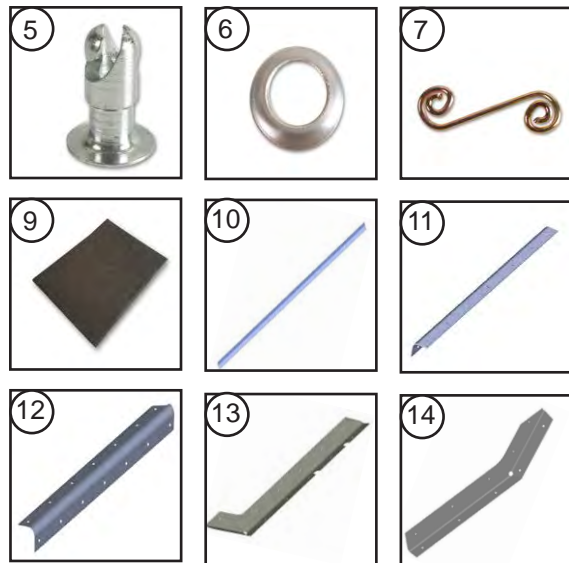
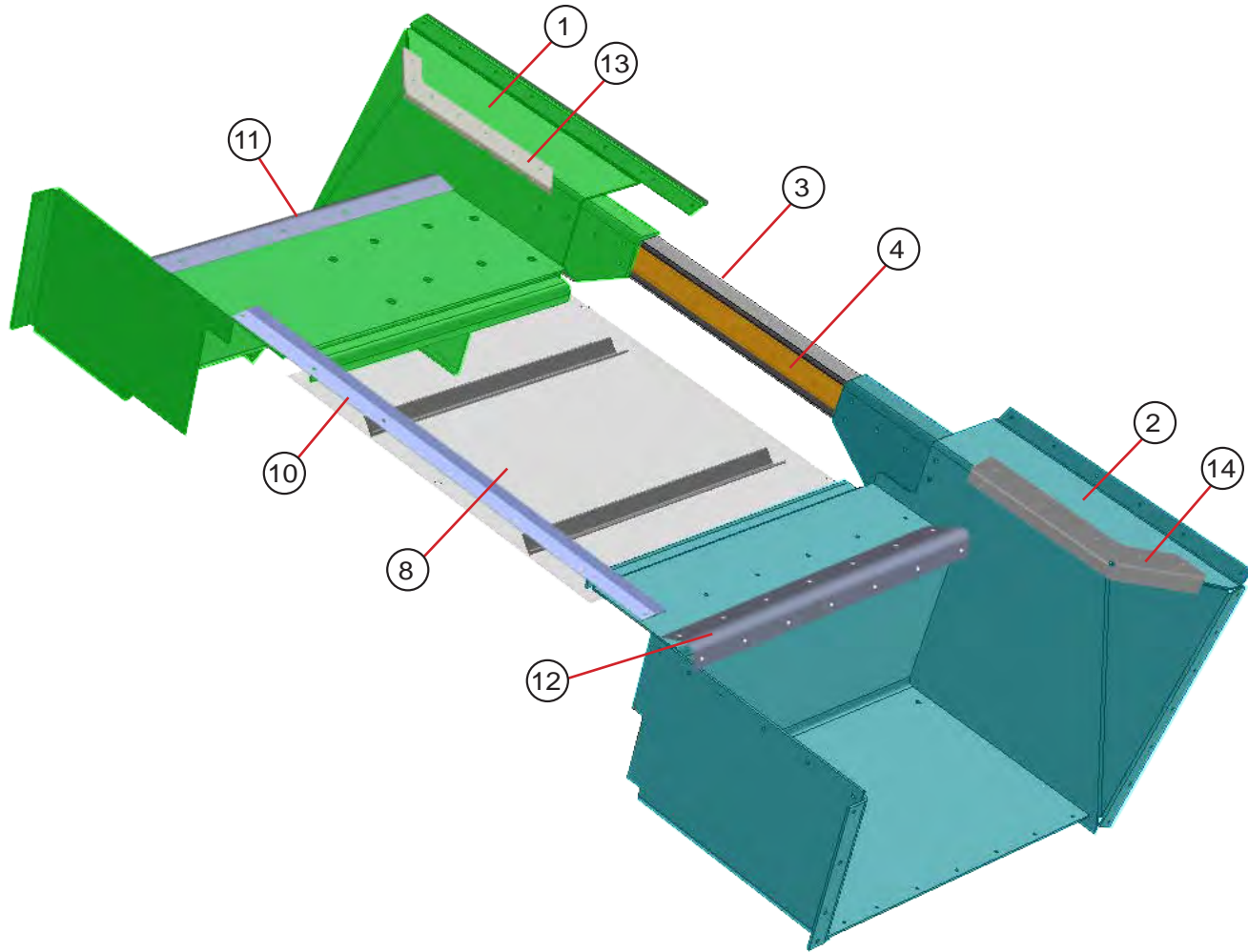
ITEM #	PART #	DESCRIPTION	QTY.	UNIT
1	088055409	FRAME W/S AL .102X49.72X67.27 LH	1	EA
2	088055410	FRAME W/S AL .102X49.72X67.57 RH	1	EA
3	077055400	POST W/S CENTER AL 450540X40	1	EA
4	077055402	GUSSET FRAME W/S AL .125X6.49X7.27	1	EA
5	077055405	STIFFENER W/S AL 450540X41.75	2	EA
6	998555329	GUSSET FRAME W/S	1	EA
7	155005411	ENGINE BOX SADDLE AL .102X15.61X23.8	1	EA
8	155005416	ENGINE BOX SADDLE FILLER AL .102X12.8X13.78	1	EA
9	155005409	UPPER DASH WALL AL .125X4.57X23.75 LH	1	EA
10	095005437	E/BX TP AL .102X15.68X30.51	1	EA
11	155005418	ENGINE BOX PANEL AL .125X21.52X29.91 RH	1	EA
12	155005414	DASH WALL CENTER AL .102X14.85X31.69	1	EA
13	8502000	CORNER AL CAST W/S LH	1	EA
14	8502001	CORNER AL CAST W/S RH	1	EA
15	157005401	STIFFENER W/S AL .125X12.07X17.69 LH	1	EA
16	157005402	STIFFENER W/S AL .125X12.07X17.69 RH	1	EA
17	083005418	SUPPORTT RAIL W/S AL.102X5.74X8.27 LH	1	EA
18	083005419	SUPPORT RAIL W/S AL.102X5.74X8.27 RH	1	EA
19	083023401	RAIL W/S 88W AL 851100X84	1	EA
20	155005417	TOEBOARD AL .102X30.38X47.75 RH	1	EA
21	155005410	DASH WALL OUTER AL .102X11.01X28.25	1	EA
22	155005403	SHELF CAB AL.125X15.93X84	1	EA
23	095005430	DASH WALL UPPER AL.102X7.36X33.76 LH	1	EA
24	155005402	CAB SKIRT AL.07X40.6X45.91 RH	1	EA
25	155005404	CAB SKIRT AL .07X40.6X45.91 LH	1	EA
26	115005452	CLOSURE CAB AL.07X4.67X6.6	1	EA
27	155005412	PANEL ENGINE BOX AL .102X19.94X32.53 LH	1	EA
28	155005415	PANEL ENGINE BOX AL .102X2.59X11.82	1	EA
29	115005450	ADAP E/BX AL.102X4.36X13.39	1	EA
30	115005451	ADAP E/BX AL.102X4.44X8.88	1	EA
31	155005400	TOEBOARD AL.102X21.03X34.05 LH	1	EA
32	47008545	VENT AL 2WAY HNGLS	1	EA
33	47008548	GASKET FOR SALEM VENT	1	EA
34	077050406	GUSSET TOEBOARD AL .125X5.33X14.88 RH	1	EA
35	47006630	CLIP PLS RND/HD 1.32-1.34	10	EA
NS	105028400	LID ENGINE BOX AL.102X18.58X32.44	1	EA
37	47007859	HINGE OFFSET	2	EA
38	1113336	LATCH ENGINE BOX	2	EA
39	117028400	SHIM ENGINE BOX	2	EA
40	077050402	SHIM AL .25X1.62X20.8	1	EA
41	96756400	GLASS W/S FRT 31.29X41.54	2	EA
42	083056401	GLASS 81H TRI 30 DEG	2	EA
43	44004304	WSTR GLS #LS-1660 X142.5	2	EA
44	44004305	WSTR GLS #LS-1660 X85.5	2	EA
NS	1107270	SEAL TRIM ENGINE BOX LID	8	FT

This catalog is for pilot vehicles only

This catalog is for pilot vehicles only

This catalog is for pilot vehicles only

This catalog is for pilot vehicles only



ITEM #	PART #	DESCRIPTION	QTY.	UNIT
1	155024216	STEP ASSEMBLY LH 88W	1	EA
2	155024217	STEP ASSEMBLY RH 88W	1	EA
3	077240400	CROSS MEMBER CENTER AL 456106X41	1	EA
4	077050402	SHIM AL .25X1.62X20.8	1	EA
5	40900080	STUD	7	EA
6	40900081	GROM HALF	7	EA
7	40900082	SPRING	7	EA
8	095024260	FLOOR TRANSVERSE WELDMENT	1	EA
9	42002055	INSULATION SOUND ABSRB FLOORMAT 60X95	1	EA
10	095019440	TRIM MATT @ O/LINE ALD .08X2.29X51	1	EA
11	090019402	TRIM STEP ALD .08X2.68X27.25 LH	1	EA
12	090019403	TRIM STEP ALD .08X2.69X26.50 RH	1	EA
13	095019436	TRIM TOEBOARD ALD .08X7.32X39.52 LH	1	EA
14	095019437	TRIM TOEBOARD ALD .08X7.54X23.87 RH	1	EA
NS	41002103	SEALANT/ADHESIVE	2	EA

**ENGINE BOX INSULATION**

16	155005413	INSULATION E/BX 42002056X16X30.44	1	EA
17	095005455	INSULATION E/BX PSA 1X12.18X28.34	1	EA
18	093005405	INSULATION E/BX PSA 1X17.56X27.46 RH	1	EA
19	105005458	INSULATION E/BX SDL 42002056X7X21.5	1	EA
20	105005456	INSULATION E/BX 42002056X17.44X27.32	1	EA

**ACOUSTIC / COWL INSULATION**

21	155116400	ACSTL COWL 42002056X22.99X27.92	1	EA
22	155116401	ACSTL COWL 42002056X11.81X25.31	1	EA
23	155116402	ACSTL COWL 42002056X11X34.44	1	EA
24	155116403	ACSTL COWL 42002056X10X11.75	1	EA
25	155116404	ACSTL COWL 42002056X15.25X22.52	1	EA

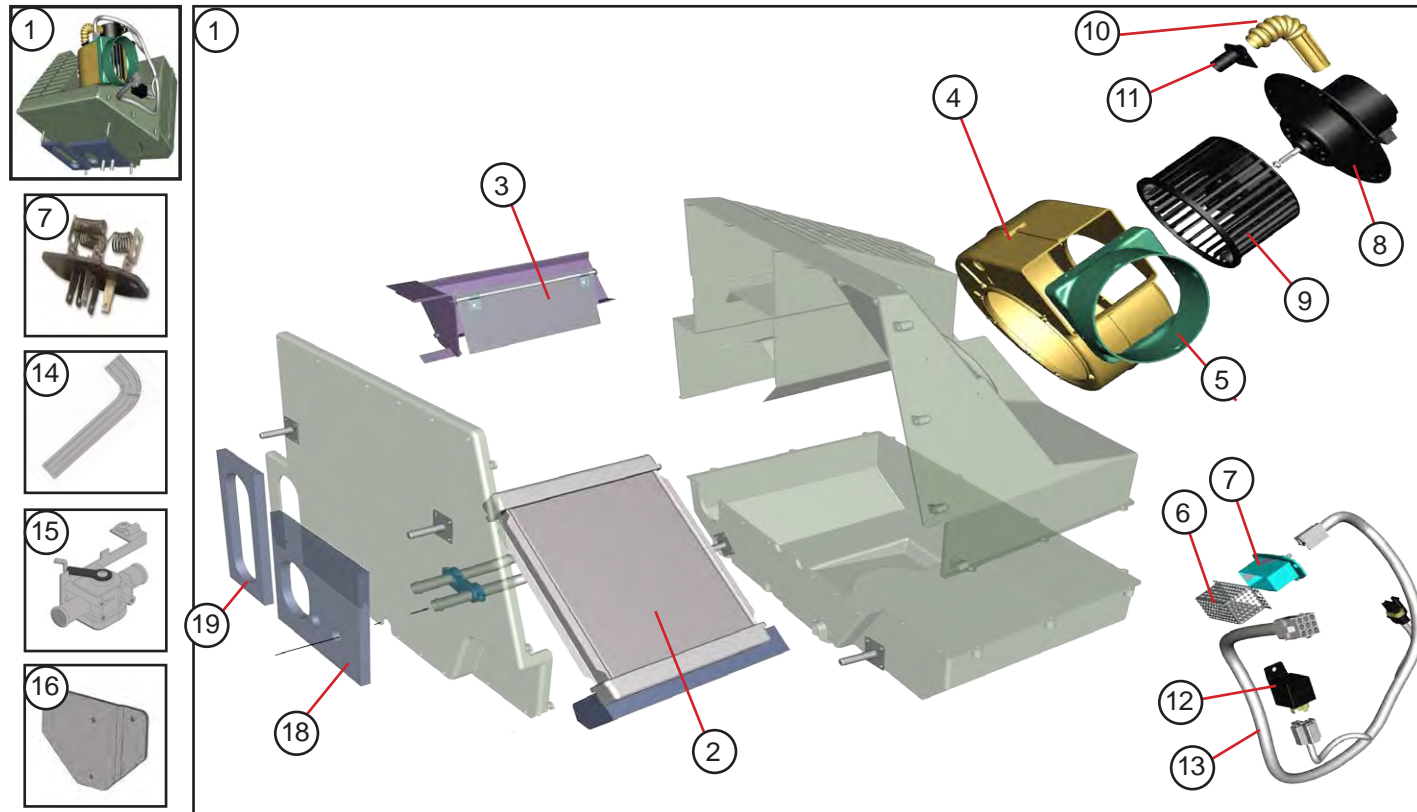
This catalog is for pilot vehicles only

This catalog is for pilot vehicles only

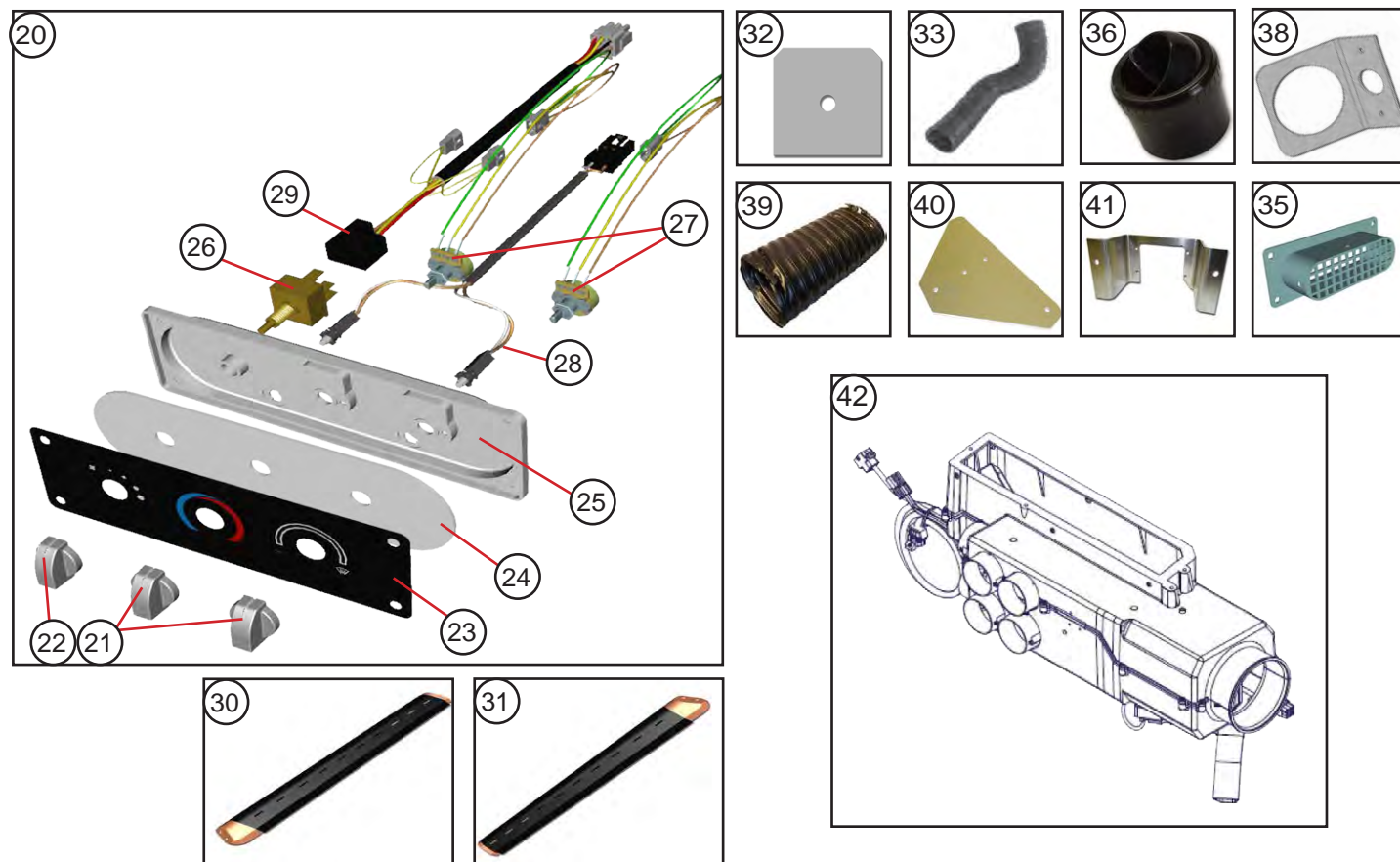
This catalog is for pilot vehicles only

This catalog is for pilot vehicles only

This catalog is for pilot vehicles only



This catalog is for pilot vehicles only

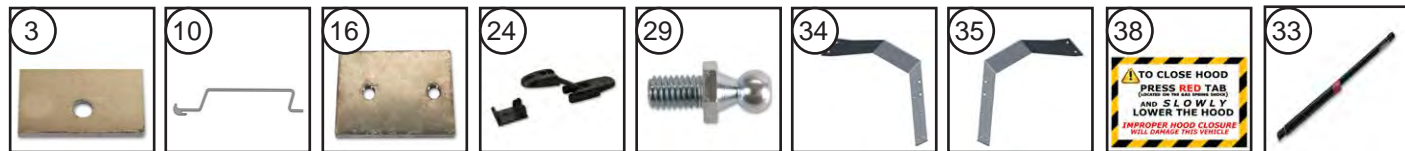
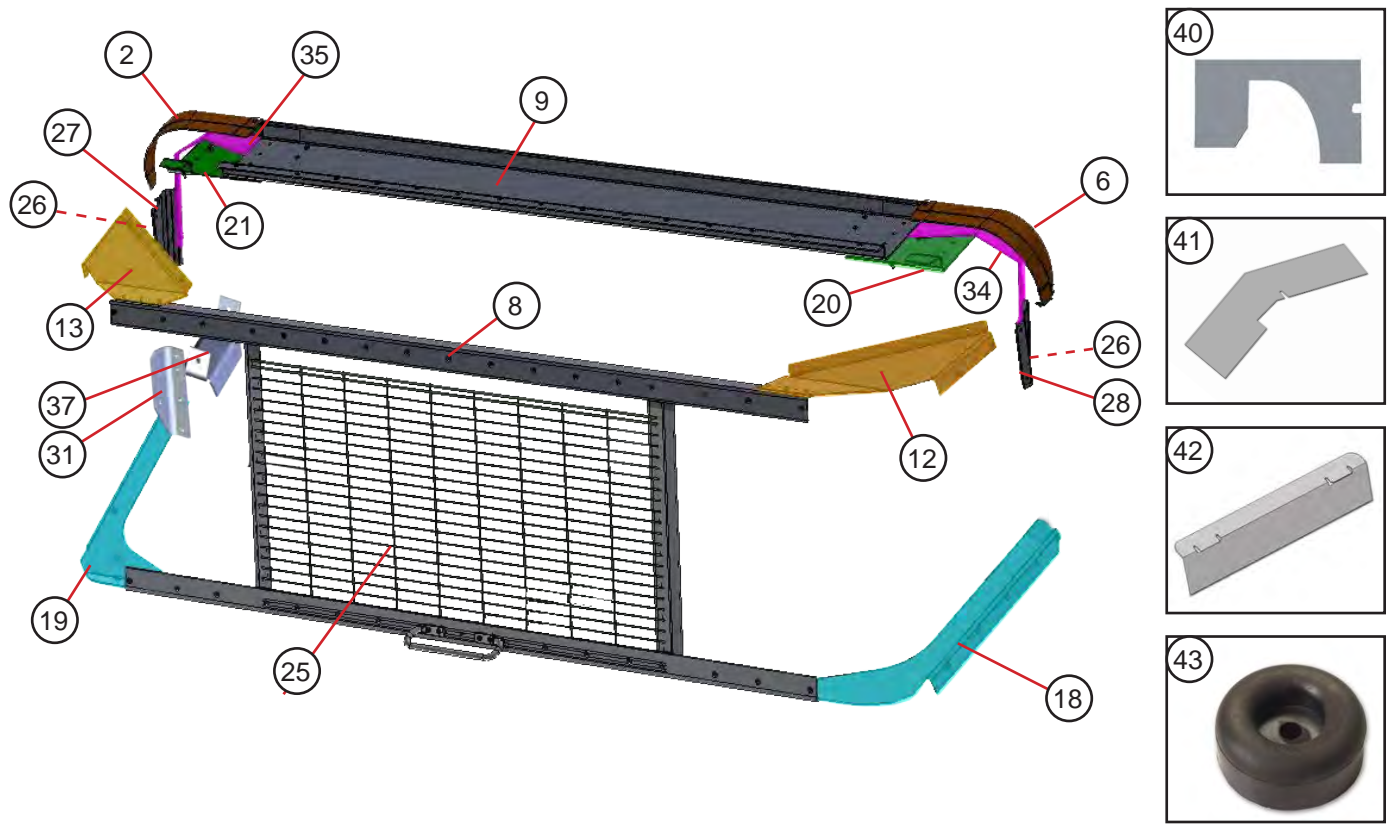
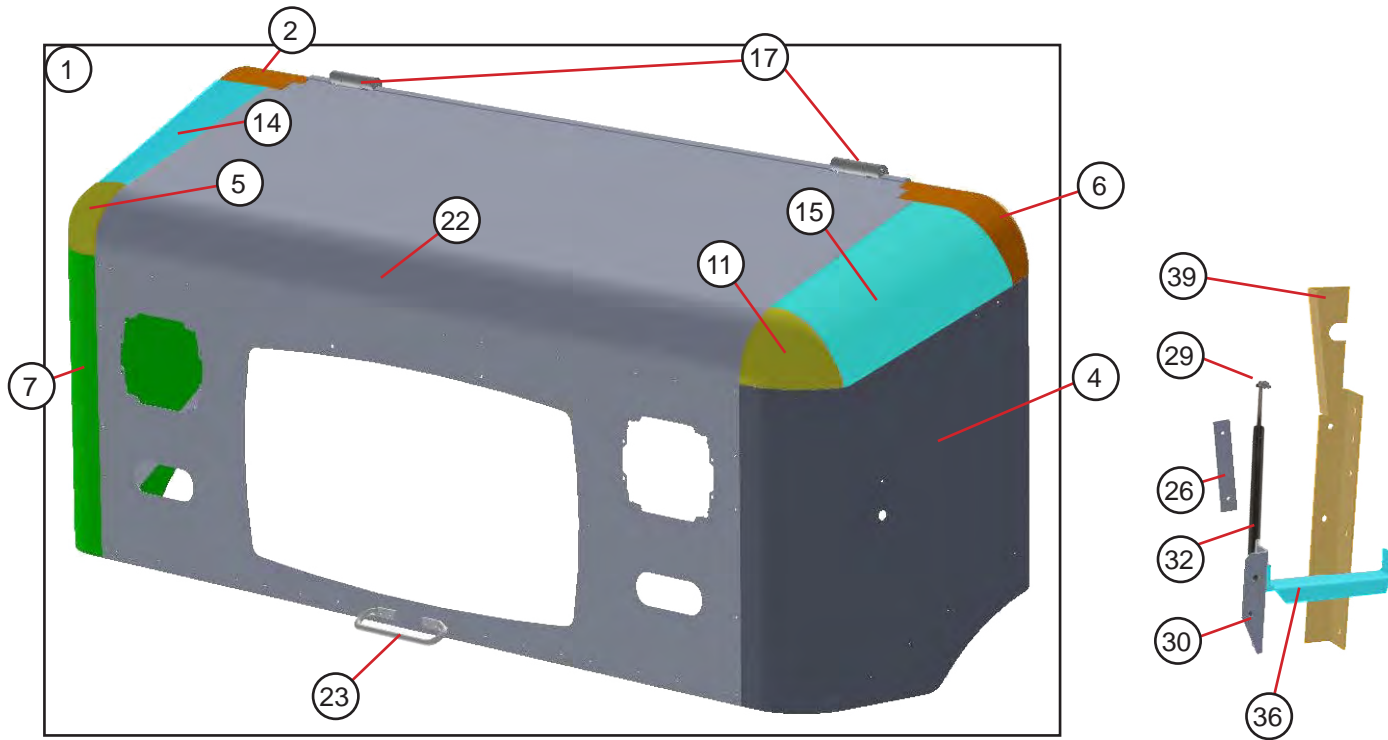


ITEM #	PART #	DESCRIPTION	QTY	UNIT
1	555001107	HEATER CORE ASSEMBLY	1	EA
2	47008760	HEATER COIL W/GASKET & CLAMP	1	EA
3	47008753	DOOR W/SEAL	1	EA
4	47008754	BLOWER HOUSING	1	EA
5	47008755	BLOWER ADAPTER	1	EA
6	47008732	RESISTER CAGE	1	EA
7	47008357	RESISTER	1	EA
8	47008756	BLOWER MOTOR	1	EA
9	47008757	BLOWER WHEEL	1	EA
10	47008730	VENT TUBE	1	EA
11	47008731	VENT TUBE ADAPTOR	1	EA
12	47008716	RELAY	1	EA
13	47008758	HARNESS	1	EA
14	47008580	FORMED HEATER HOSE	2	EA
15	555002053	VALVE WATER	1	EA
16	105080401	PLATE MOUNTING FOOT DUMP AL .07X4.25X5.53	1	EA
17	090080401	DUCT FT DUMP SPCL	1	EA
18	N/A	GASKET - PART OF HEATER ASSEMBLY	1	EA
19	N/A	GASKET - PART OF HEATER ASSEMBLY	1	EA
20	555001416	CONTROL PANEL ASSEMBLY	1	EA
21	47008706	KNOB	2	EA
22	47008735	KNOB	1	EA
23	47008707	DECAL	1	EA
24	47008708	LIGHT PANEL	1	EA
25	47008709	CONTROL SUB PANEL	1	EA
26	47008700	BLOWER SWITCH	1	EA
27	47008710	POTENTIOMETER SWITCH	2	EA
28	47008711	HARNESS ILLUMINATION W/BULBS	1	EA
29	47008712	HARNESS BLOWER MOTOR	1	EA
30	555001721	DEFROST DUCT CURBSIDE METAL	1	EA
31	555001722	DEFROST DUCT ROADSIDE METAL	1	EA
32	093080400	HOLD DOWN PLATE DEFROSTER DUCTS	4	EA
33	555001524	HOSE DEFROSTER 2.5X30	1	EA
34	555001525	HOSE DEFROSTER 2.5X38 (2x DEFROSTER / 1xFOOT DUMP)	3	EA
35	555002003	COLLER FRESH AIR INTAKE	1	EA
36	555001715	LUVER BALL	6	EA
37	555002007	PLENUM FRESH AIR SIDE WALL (DRAIN HOSE - 555002008)	1	EA
38	107027405	BRACKET HEATER VENT	1	EA
39	555001533	HOSE BLOWER HEATER/DEFROSTER 5"X7.5"	1	EA
40	005780402	MOUNTING PLATE	1	EA
41	002080400	BRACKET HEATER CONTROL AL .102X3X11.67	1	EA
42	555001321	DUCT HVAC	1	EA
43	555001523	HOSE DEFROSTER 2.5X16	1	EA
44	47008017	CONNECTOR STRAIGHT .62ID BLACK NYLON	2	EA
NS	555002164	CAP DEFROSTER PORT 2.5IN DIA ROUND	2	EA

This catalog is for pilot vehicles only

This catalog is for pilot vehicles only

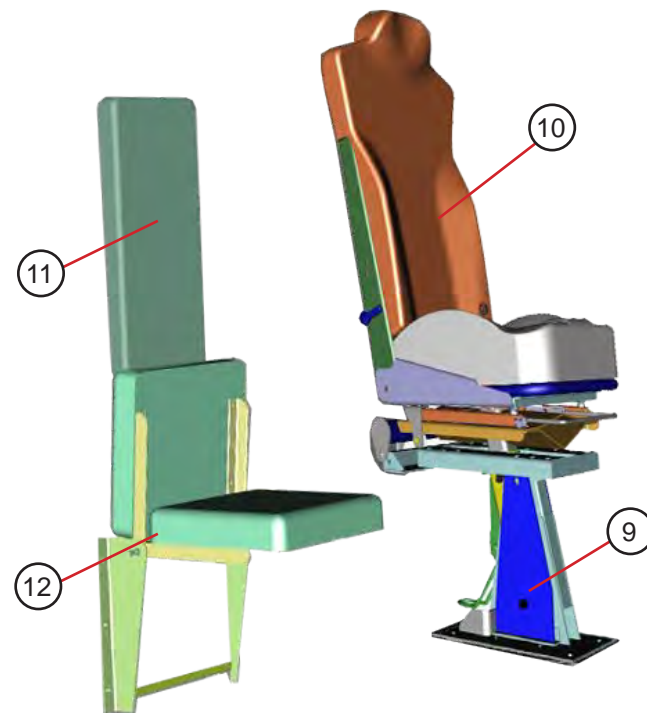
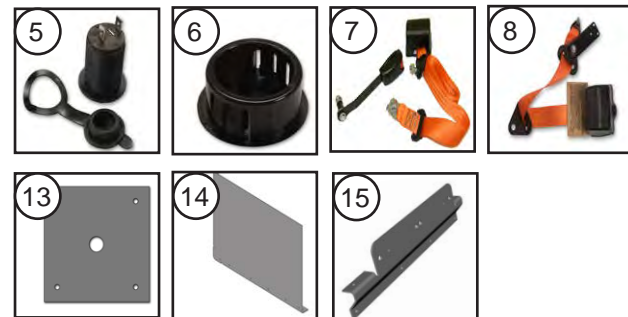
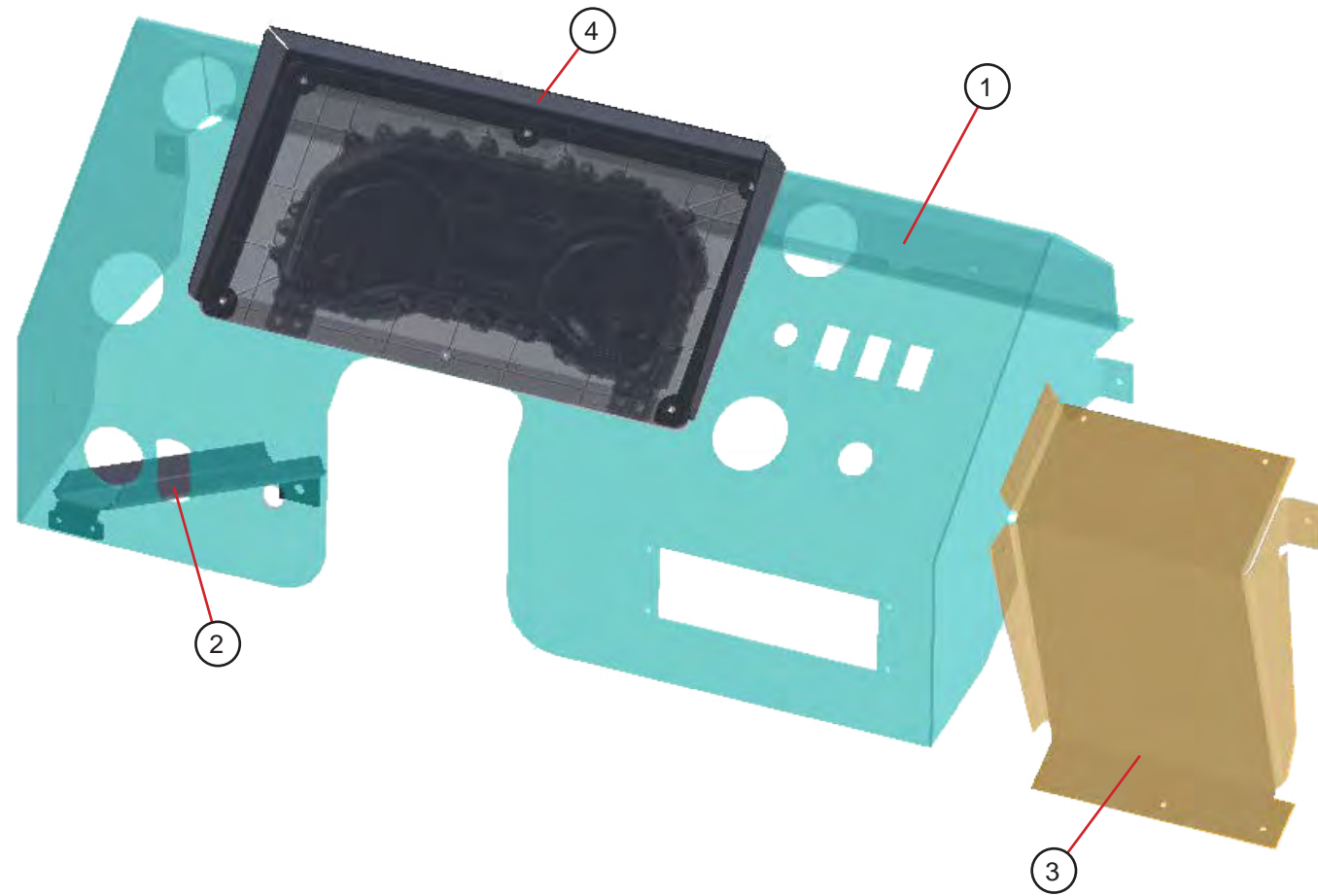
This catalog is for pilot vehicles only



This catalog is for pilot vehicles only

This catalog is for pilot vehicles only

ITEM #	PART #	DESCRIPTION	QTY.	UNIT
1	155017200	HOOD ASSEMBLY AL TILT 88W FORD	1	EA
2	45100061	CAP AL COWL END AFT RH	1	EA
3	96717312	SHIM HOOD AL .125X.62X1.88	2	EA
4	095017405	SKIRT HOOD AL .07X27.89X29.9 LH	1	EA
5	45100058	CORNER AL CAST KNEE COWL FRONT RH	1	EA
6	45100060	CAP AL COWL END AFT LH	1	EA
7	095017406	SKIRT HOOD AL .07X27.89X29.9 RH	1	EA
8	095017202	GRILL SUPPORT WELDMENT HOOD 88W	1	EA
9	088017419	STIFFENER HOOD AL 450015X63.62	1	EA
10	45001500	BRACKET AL HOOD X69.77	1	EA
11	45100057	CORNER AL CAST KNEE COWL FRONT LH	1	EA
12	95817312	GUSSET CORNER AL .07X13.52X14.72 LH	1	EA
13	95817313	GUSSET CORNER AL .07X13.52X14.72 RH	1	EA
14	095017408	COWL HOOD AL.07X15.19X17.47 RH	1	EA
15	095017407	COWL HOOD AL.07X15.19X17.47 LH	1	EA
16	91617304	PLATE TAP AL .188X2X2.69	2	EA
17	47007852	HINGE COMPLETE ASSEMBLY	2	EA
18	095017420	STIFFENER HOOD AL.102X15.92X22.83 LH	1	EA
19	095017421	STIFFENER HOOD AL.102X15.92X22.83 RH	1	EA
20	095017422	STIFFENER HOOD AL.102X10.98X12 LH	1	EA
21	095017423	STIFFENER HOOD AL.102X10.98X12 RH	1	EA
22	155017400	PANEL HOOD AL.07X48.92X69	1	EA
23	90187300	GRAB HANDLE .5DIA X15.7	1	EA
24	47000613	LATCH HOOD	2	EA
25	45700101	GRILLE WIRE MESH 20.5X38.81	1	EA
26	083016400	SHIM AL .102X1X5.5	2	EA
27	077160401	BRACKET HOOD AL .125X6.76X7.75 RH	1	EA
28	077160400	BRACKET HOOD AL .125X6.76X7.75 LH	1	EA
29	47006086	STUD BALL .31-18	4	EA
30	124016403	BRACKET LOWER HOOD AL.188X2.9X6.4 RH	1	EA
31	077160404	BRACKET LOWER HOOD AL.188X2.9X6.4 LH	1	EA
32	47006132	SPRING GAS NON LOCKING 140LB 28/16.5	1	EA
33	47006133	SPRING GAS 140LB W/LOCK 28/16/5	1	EA
34	124016401	BRACKET GAS SPRING AL.125X6.41X16.41	1	EA
35	124016402	BRACKET GAS SPRING AL.125X6.41X16.41	1	EA
36	095016403	CAB SKIRT SUPPORT AL.125X3.38X11.18	1	EA
37	095016404	CAB SKIRT SUPPORT AL.125X3.38X10.74	1	EA
38	43000903	HOOD PROP INSTR LABEL	1	EA
39	095006410	PANEL TIE ISLAND AL .125X6.42X23.44	1	EA
40	006526401	PANEL SPLASH SHIELD VINYL .125X19.25X51.6	2	EA
41	96380300	SHROUD A/C VNL .125X10.77X37.35	2	EA
42	155015400	BRKT HD REST STL7GAX7X28.52	1	EA
43	44002004	BUMPER HOOD REST LATCH	2	EA



ITEM #	PART #	DESCRIPTION	QTY.	UNIT
1	155027202	INSTRUMENT PANEL WELDMENT	1	EA
2	155027409	BRACE INSTRUMENT PANEL AL.102X1.96X19.97 LH	1	EA
3	155027404	COVER HOSE SUPPORT AL .07X13.74X15.96	1	EA
4	155027405	SHROUD INSTRUMENT PANEL AL .07X11.28X22.09	1	EA
5	46026378	RECEPTICLE 12V POWER W/TETHER SS BODY	1	EA
6	1111513	PLUG HL BLACK	1	EA
<b>SEATS</b>				
7	47004366	SEAT BELT W/BOOT BLKH 3PNT OG R	1	EA
8	47007912	SEAT BELT ORANGE W/O TEATHERS	1	EA
9	47012677	SEAT SOC/PED 3POINT LH	1	EA
10	47006009	SEAT CLOTH DRIVER	1	EA
11	47002506	SEAT HEAD & BACK REST CLOTH	1	EA
12	47002507	SEAT JUMP 3POINT CLOTH	1	EA
13	95001414	DOUBLER D-LOOP AL .125X4X4	1	EA
14	155069400	PLATE BACKER AL .125X16.54X20.22	1	EA
15	005754400	BRACKET ANCHOR STEEL 7GAX7.24X25.75	1	EA

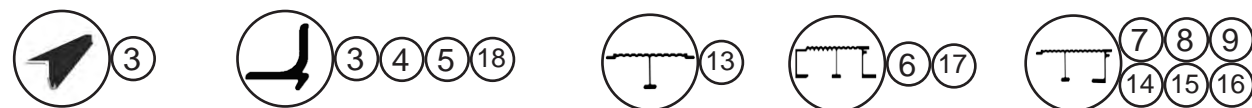
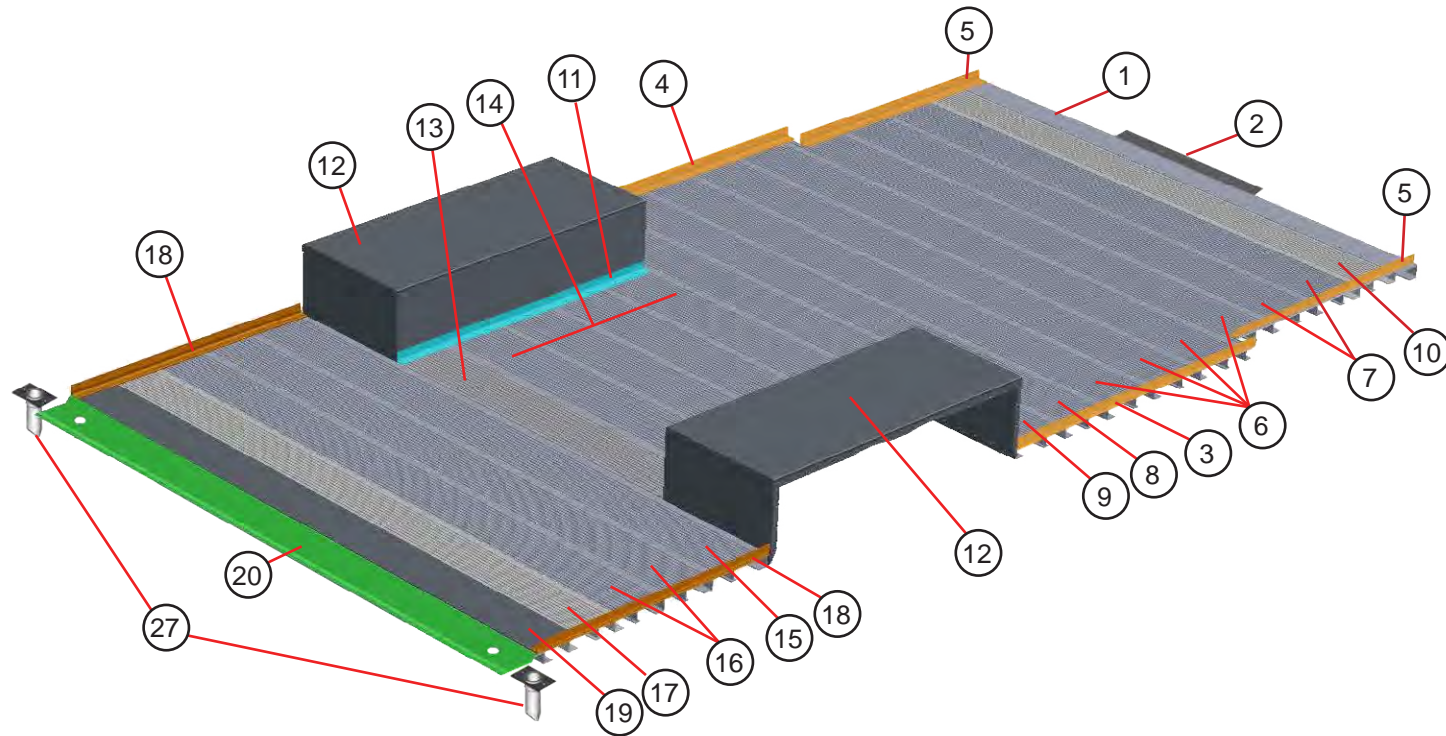
This catalog is for pilot vehicles only

This catalog is for pilot vehicles only

This catalog is for pilot vehicles only

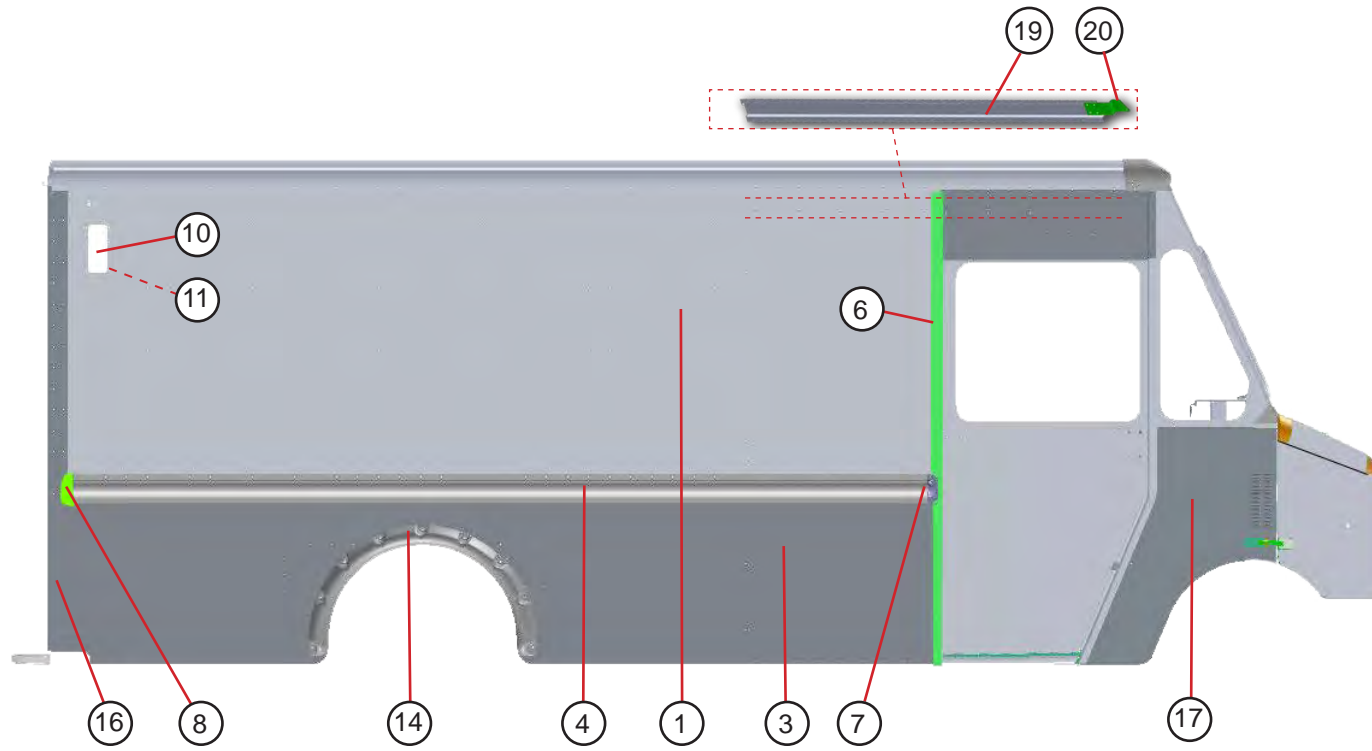
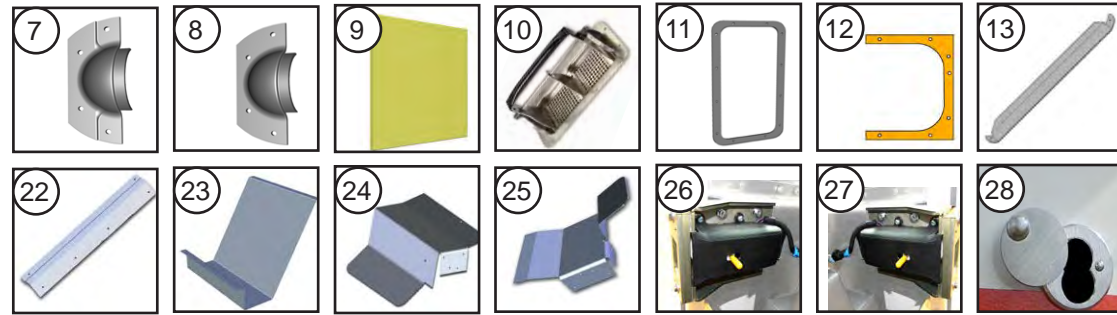
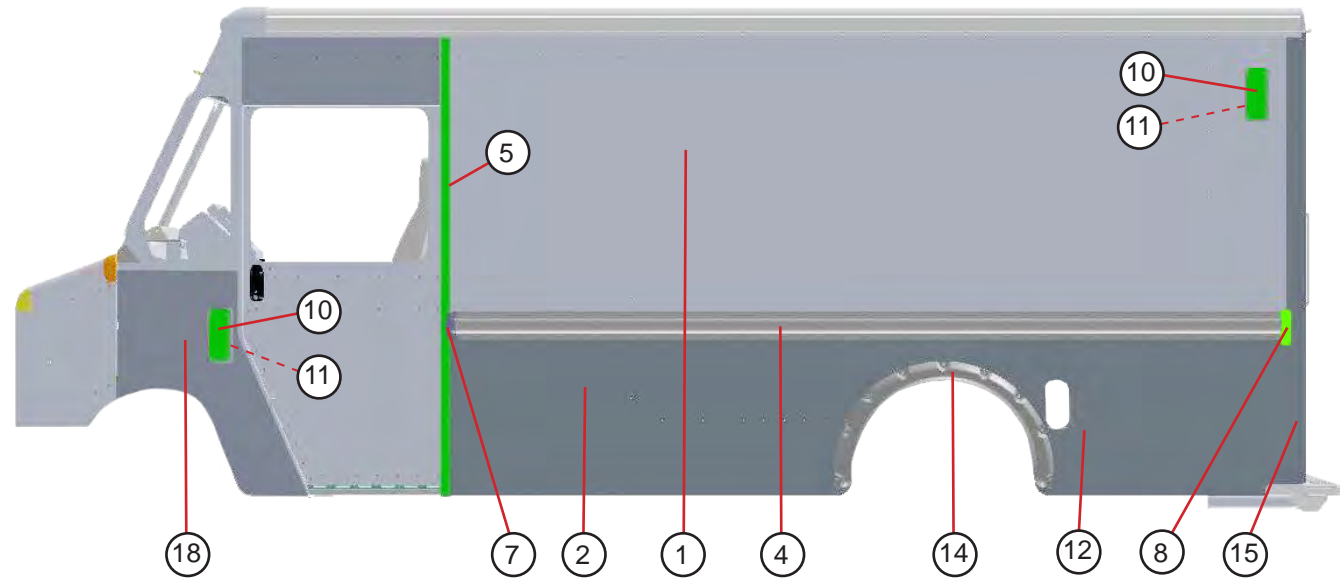
This catalog is for pilot vehicles only





ITEM #	PART #	DESCRIPTION	QTY.	UNIT
1	137030400	BEAM @ O/LINE AL480000X81.38	1	EA
2	001730416	ANGLE STEP AL450187X33.38	1	EA
3	095031419	ANGLE FLOOR 2DR ALE450303X45.75 RH	1	EA
4	095031416	ANGLE FLOOR 2DR ALE450303X45.75 LH	1	EA
5	155031403	ANGLE FLOOR AT DOOR POCKET ALE450303X35.75	2	EA
6	095031426	BEAM FLOOR RIB ALE450586X87.25	4	EA
7	095031434	BEAM FLOOR RIB ALE450586X81.25	2	EA
8	095031451	BEAM FLOOR RIB ALE450584X87.25	1	EA
9	095031476	BEAM FLOOR RIB ALE450587X87.25	1	EA
10	095031486	BEAM FLOOR RIB ALE450583X81.25	1	EA
11	095032425	ANGLE WHEEL BOX ALE450018X44	2	EA
12	155032202	WHEEL BOX ASSEMBLY 88W 44"	2	EA
13	155032406	BEAM FLOOR AL450585X49.26	1	EA
14	155032407	BEAM FLOOR AL450586X49.26	4	EA
15	45058700	BEAM AL FLOOR RIB M/FEM 8.5X87.25	1	EA
16	45058402	BEAM AL FLOOR RIB M/FEM 8X87.25	2	EA
17	45058301	BEAM AL FLOOR RIB FEM/LAP 7X87.25	1	EA
18	135033402	ANGLE FLOOR AL450303X38.19	2	EA
19	135033403	PLATE FILLER ALD.125X6.5X85.38	1	EA
20	087030401	DROP SILL REAR 450592X87.88	1	EA
21	095032209	DOOR ACCESS ASSEMBLY - WELDMENT	1	EA
22	40900082	SPRING	4	EA
23	40900080	STUD	8	EA
24	40900081	GROMMET HALF	8	EA
25	125012400	SUPPORT ACCESS DOOR AL.125X12.22X17.59	1	EA
26	150012400	ANGLE SUPPORT ACC AL450187X29	2	EA
27	91013001	DRAIN CHAMBER INSTALLATION	2	EA

This catalog is for pilot vehicles only



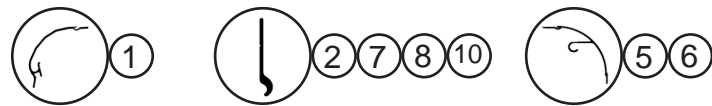
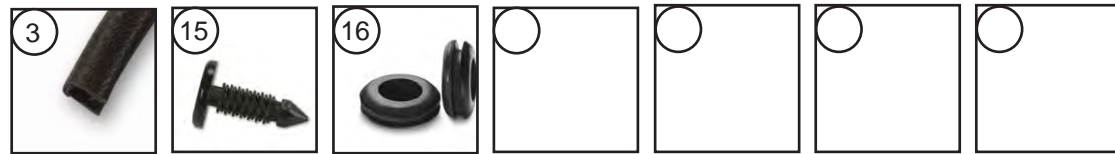
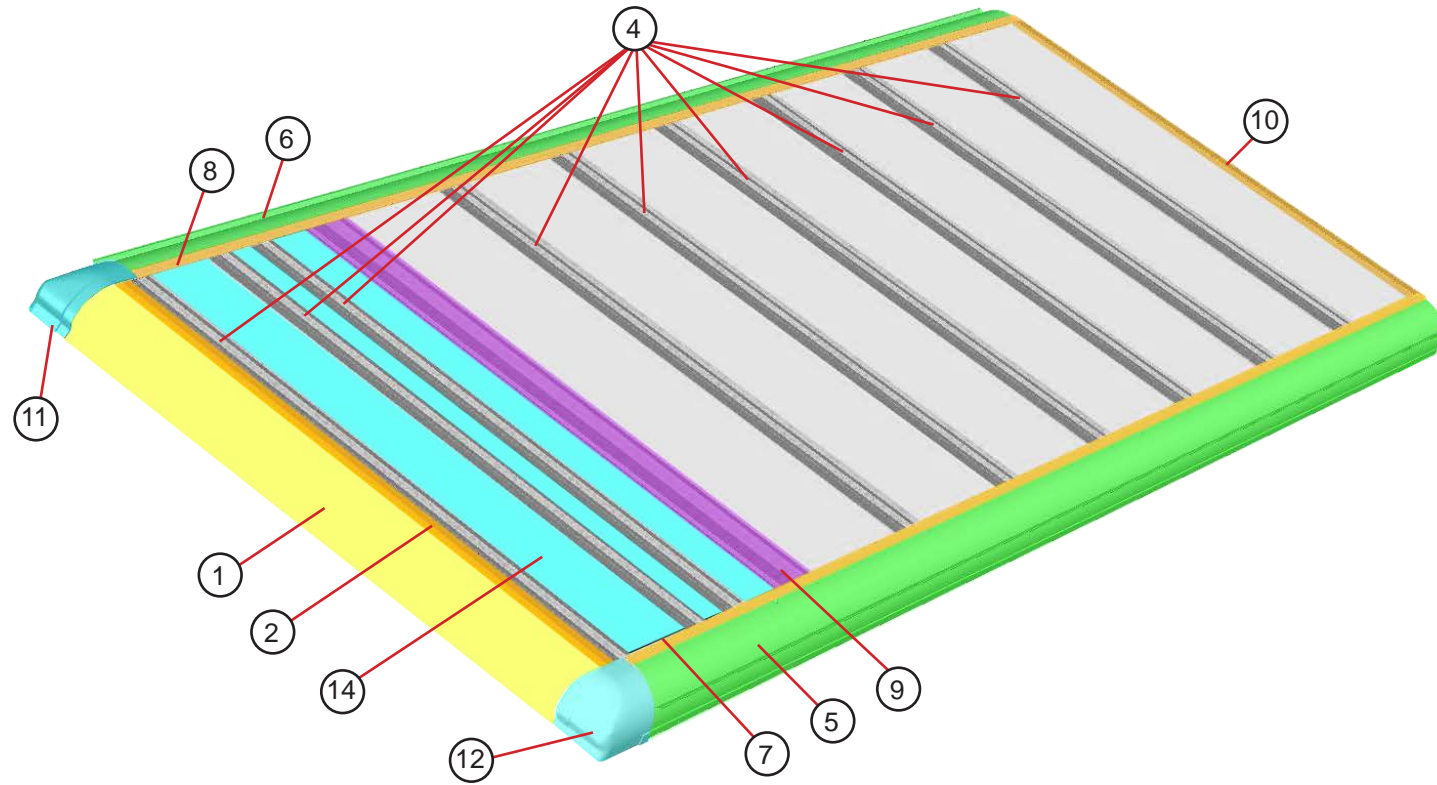
This catalog is for pilot vehicles only

ITEM #	PART #	DESCRIPTION	QTY.	UNIT
1	157038400	SIDE UPPER AL .102X56X169.31 L/R	2	EA
2	135037415	SIDE LOWER AL .102X32X169.31 LH	1	EA
3	135037416	SIDE LOWER AL .102X32X169.31 RH	1	EA
4	135039405	RUB RAIL AL450002X162.5	2	EA
5	095038403	POST B AL450274X90.18 LH	1	EA
6	095038404	POST B AL450274X90.18 RH	1	EA
7	1100800	END CAP FORWARD AL .125X2.37X5.5	4	EA
8	1100799	END CAP REAR FL AL .125X2.37X5.5	2	EA
9	7600165	PLATE FILLER RUB/RAIL AL .125X2.88X3	2	EA
10	47008545	VENT AL 2WAY HINGELESS	3	EA
11	47008548	GASKET FOR VENT	3	EA
12	998512001	REINFORCEMENT FUEL FILL	1	EA
13	001744400	GUSSET STRAP AL .125X2.1X16.02	2	EA
14	44003020	FENDER FLARE	2	EA
15	135052402	PANEL BACK AL .125X16.03X88.5 LH	1	EA
16	135052403	PANEL BACK AL .125X16.03X88.5 RH	1	EA
17	155005402	CAB SKIRT AL .07X40.60X45.91 RH	1	EA
18	095005444	CAB SKIRT AL .07X40.60X45.91 LH	1	EA
19	083042401	STIFFENER HEADER AL X73.75 RH (083042400 - LH)	1	EA
20	96742302	CLIP AL ZEE .102X3X9.57	2	EA
NS	1100486	ANGLE STIFFENER LOWER SIDE PANEL AL .125X1X1X192	2	EA
22	113026401	ADAPTOR SPLASH PAN AL .125X3.17X14.15 RH	1	EA
23	998526301	SPLASH PAN FUEL FILL AL .07X19X30.44	1	EA
24	115026406	SPLASH PAN AL.125X15.64X16.73 RH	1	EA
25	115026409	SPLASH PAN AL.125X12.33X16.49 LH	1	EA
26	46029041	LOCK KYLS ENTRY LH D/S 2015	1	EA
27	46029042	LOCK KYLS ENTRY RH D/S 2015	1	EA
28	1113456	CYLINDER LOCK ASSEMBLY	2	EA
28	137147415	DUST COVER LOCK ASSEMBLY	2	EA

This catalog is for pilot vehicles only

This catalog is for pilot vehicles only

This catalog is for pilot vehicles only

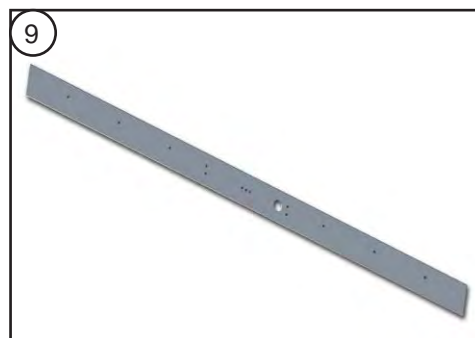
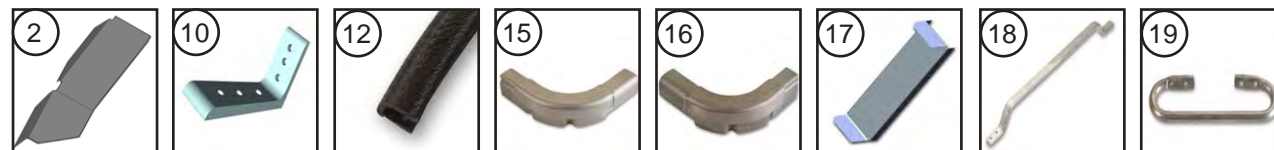
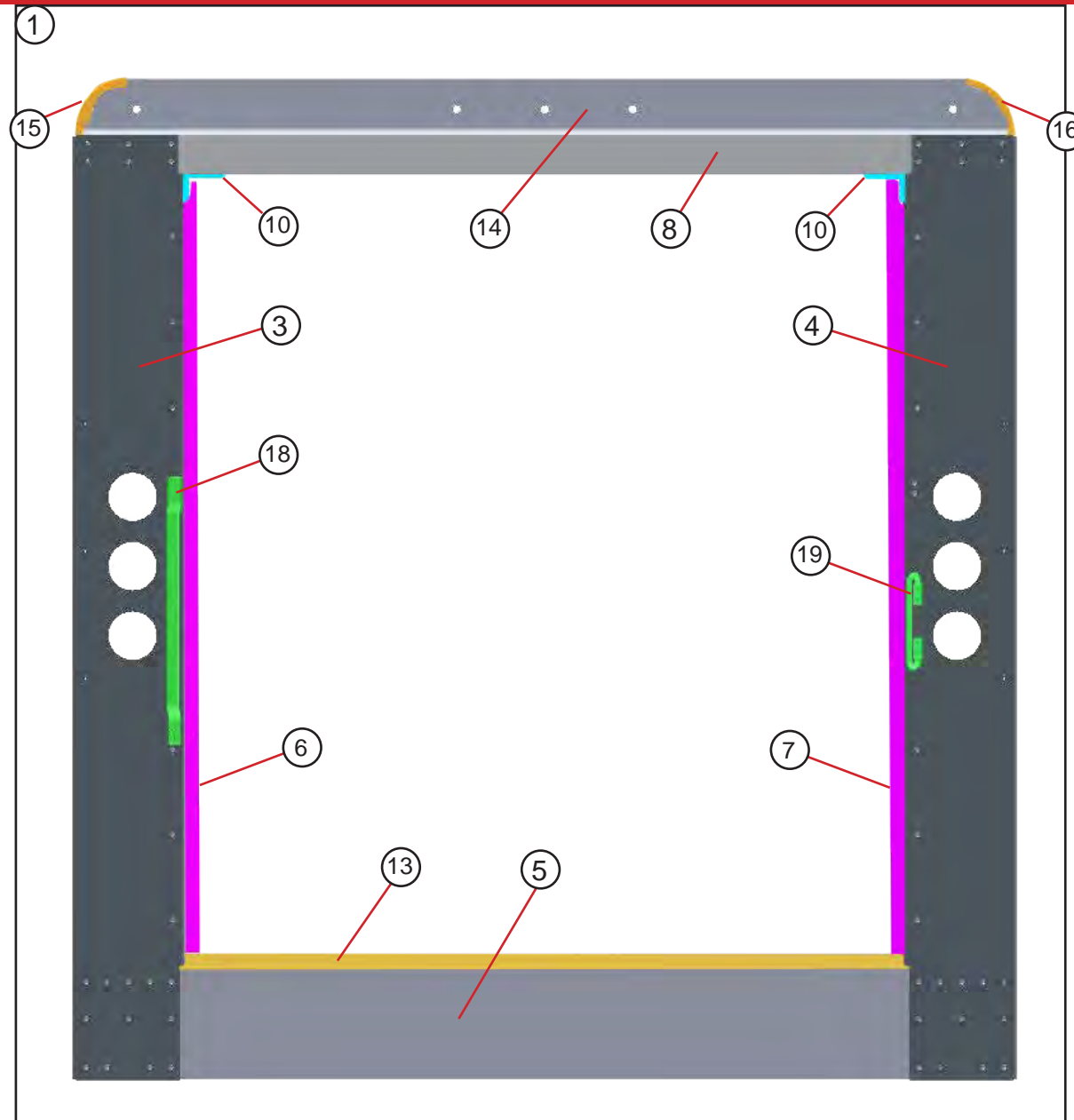


This catalog is for pilot vehicles only

ITEM #	PART #	DESCRIPTION	QTY.	UNIT
1	083010401	NOSE ROOF AL 88WX77.5	1	EA
2	001710407	INTERLOCK NOSE ROOF AL 45014X77.38	1	EA
3	1129005	TRIM QUICKEDGE SGL LIP .12-.19	0.4	FT
4	001710410	ROOF BOW USPS SEC456016 X84.12	9	EA
5	135010401	RAIL ROOF AL 456144X205.25 LH	1	EA
6	135010402	RAIL ROOF AL 456144X205.25 RH	1	EA
7	135010403	INTERLOCK ROOF RAIL AL 450140X205.25 LH	1	EA
8	135010404	INTERLOCK ROOF RAIL AL 450140X205.25 RH	1	EA
9	001710410	ROOF BOW STEEL GALV 14GAX8.33X84.12	1	EA
10	001710408	INTERLOCK ROOF TRANSOM AL 450140X74.88	1	EA
11	077100401	CORNER AL CAST ROOF RH	1	EA
12	077100400	CORNER AL CAST ROOF LH	1	EA
NS	45200847	SKIN FIBERGLASS ROOF RISC. .075X77XFT	17.32	FT
14	157011400	PANEL ROOF LINER CAB AL .023X36.75X80	1	EA
15	47006610	CLIP PLASTIC FLAT HEAD .45HEADX.64	20	EA
16	44000052	GROMMET WIRING HARNESS .688X.125X1	3	EA

This catalog is for pilot vehicles only

This catalog is for pilot vehicles only



ITEM #	PART #	DESCRIPTION	QTY.	UNIT
1	N/A	BACK ASSEMBLY 67" RUD USPS 88W81H	1	EA
2	001750413	GUARD SWITCH AL .055X6.26X14.32	1	EA
3	135052402	PANEL BACK AL .125X16.03X88.5 LH	1	EA
4	135052403	PANEL BACK AL .125X16.03X88.5 RH	1	EA
5	45002409	SILL AL REAR USPS X87.06	1	EA
6	135052404	SUPPORT TRACK DOOR AL .125X8.46X73.23	1	EA
7	135052405	SUPPORT TRACK DOOR AL .125X8.46X73.23	1	EA
8	001750405	EXTENTION TRANSOM AL .125X7.95X84.42	1	EA
9	001750406	SHIM AL .125X3.58X68.38 LH (001750407 - RH)	1	EA
10	93181302	ANGLE CLIP HEADER AL 450198X1	2	EA
NS	001750422	COVER LAMP REAR AL .102X10.17X39.68	2	EA
12	1129005	TRIM QUICKEDGE SGL LIP .12-.19	2	FT
13	087030401	DROP SILL REAR 450592X87.88	1	EA
14	135052406	TRANSOM AL450352X86.62	1	EA
15	45100098	CORNER AL CAST ROOF REAR LH	1	EA
16	45100099	CORNER AL CAST ROOF REAR RH	1	EA
17	157081402	GUARD LAMPS REAR AL .102X11.13X37.95	2	EA
18	98150310	GRAB HANDLE AL 450243X26.38	1	EA
19	90187300	GRAB HANDLE .5DIAX15.7	1	EA

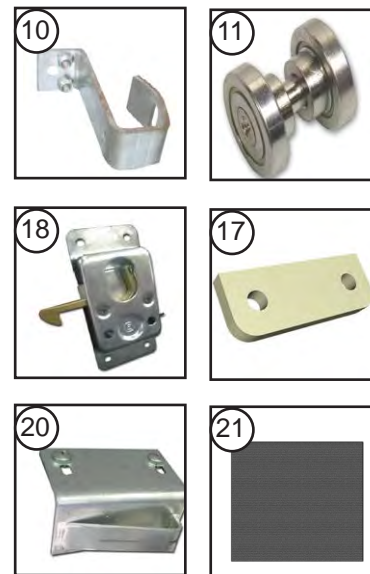
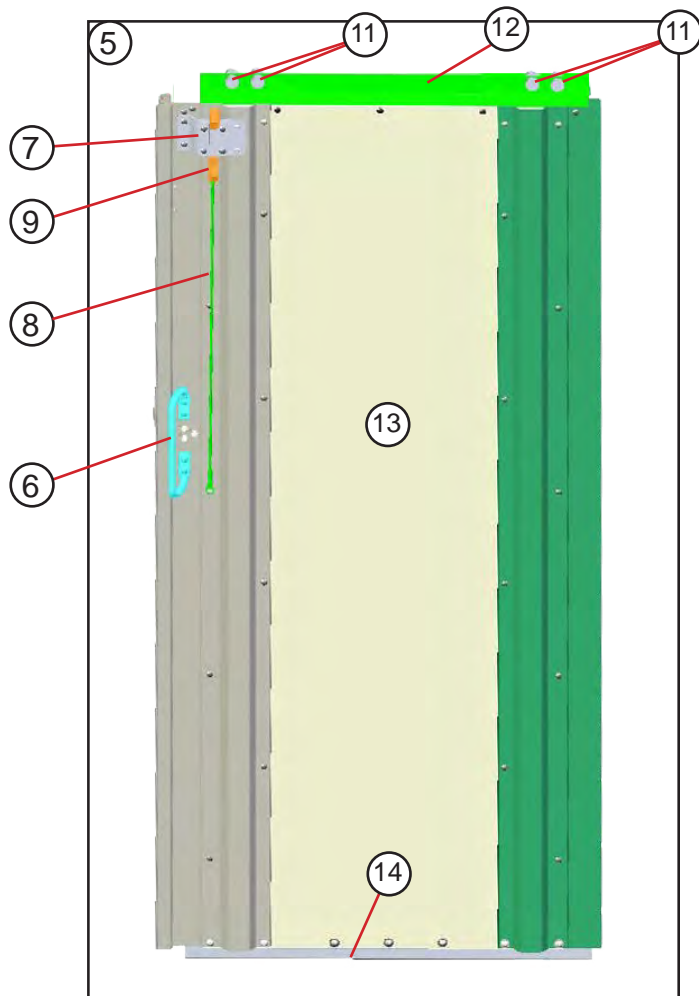
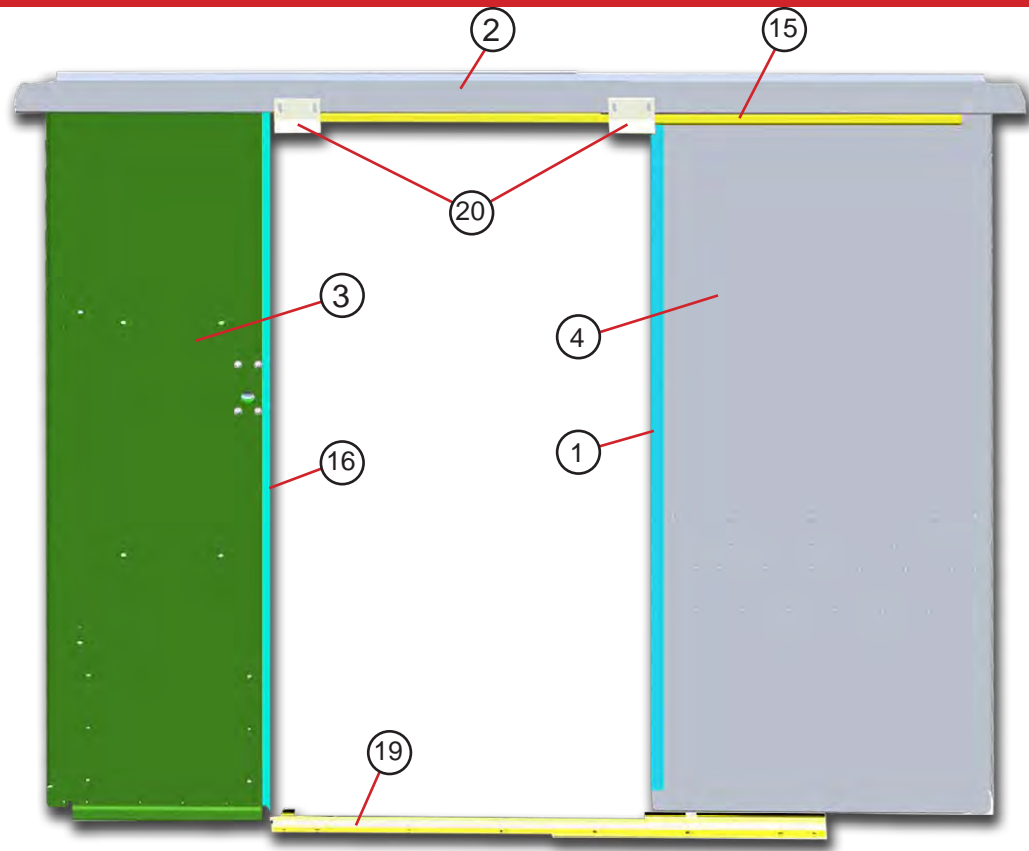


This catalog is for pilot vehicles only

This catalog is for pilot vehicles only

This catalog is for pilot vehicles only

This catalog is for pilot vehicles only



ITEM #	PART #	DESCRIPTION	QTY.	UNIT
1	135070406	EDGE DOOR BULKHEAD AL450502X72.12	1	EA
2	135070404	HEADER BULKHEAD ZEE AL .102X8.9X87.41	1	EA
3	135070405	PANEL BULKHEAD AL .102X21.65X77.39 RH	1	EA
4	155070411	PANEL BULKHEAD AL .102X30.62X77.39 LH	1	EA
5	135070203	DOOR ASSEMBLY BULKHEAD USPS 2015	1	EA
6	90187300	GRAB HANDLE .5DIAX15.7	1	EA
7	92537309	PLATE MOUNTING LATCH AL .125X3X5.29	1	EA
8	1113600	CABLE BULKHEAD .125X29" BLACK VINYL	1	EA
9	1113046	LATCH FINGER PULL	1	EA
10	005770402	LATCH STRIKER STEEL 7GAX1.5X8.06	1	EA
11	47006595	BEARING SEALED	4	PR
12	147070404	PLATE HANGER W/BRSL 450515X30.6	1	EA
13	155070410	PANEL DOOR BULKHEAD AL .102X26.67X73.26	1	EA
14	96770304	GUIDE DOOR STRIP PLASTIC 452002X30.14	1	EA
15	005770200	TRACK DOOR ASSEMBLY	1	EA
16	087070408	JAMB BULKHEAD DOOR AL 450326X74.37	1	EA
17	96770313	PLATE SPACER AL 450204X2.62	4	EA
18	1113457	LATCH GATE	1	EA
19	96770316	GUIDE DOOR FLOOR AL 450414X47.88	1	EA
20	001770207	STRIKER WELDMENT DOOR BULKHEAD	2	EA
21	47009600	CARPET BULKHEAD	18.5	FT

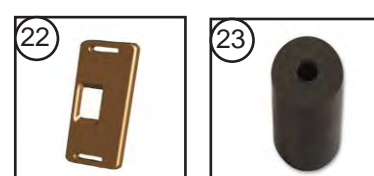
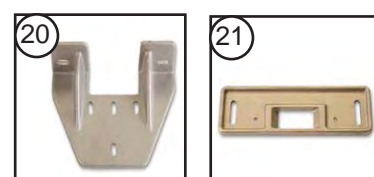
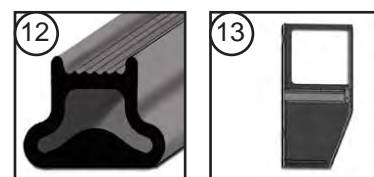
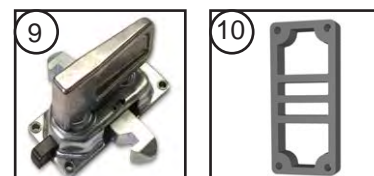
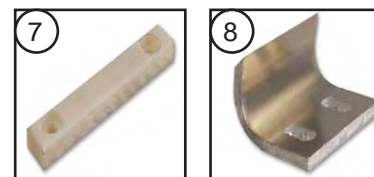
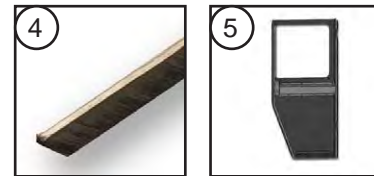
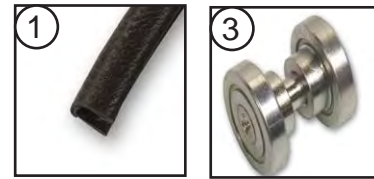
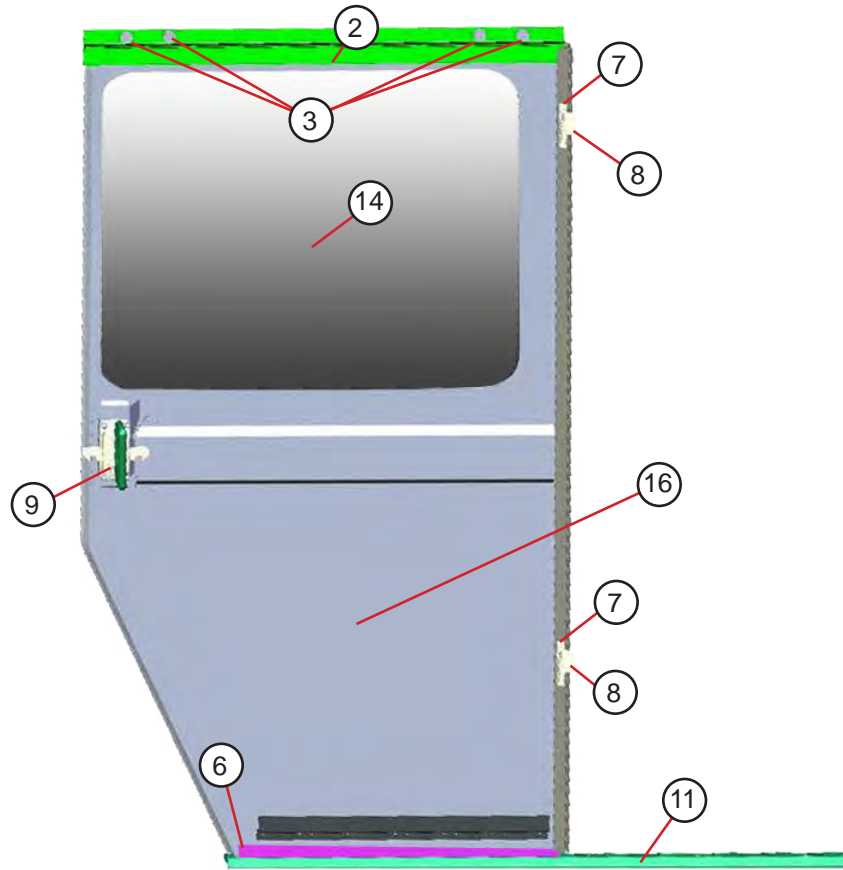
This catalog is for pilot vehicles only

This catalog is for pilot vehicles only

This catalog is for pilot vehicles only

This catalog is for pilot vehicles only

This catalog is for pilot vehicles only



ITEM #	PART #	DESCRIPTION	QTY.	UNIT
--------	--------	-------------	------	------

### SIDE DOOR ROADSIDE LH

1	44000260	TRIM X200FT RL	0.167	FT
2	96760307	HANGER AL 450515X40.09	1	EA
3	47006595	BEARING	4	PR
4	44008050	SEAL BRUSH TYPE B 1X83.9	0.5	EA
5	115060201	DOOR SIDE ASSEMBLY LH (DOES NOT INCLUDE ITEMS; 2,3,4,7,8,9,10,11,12,14,17,18,19,20)	1	EA
6	095060448	WEAR/STRIP 450008X26.85	1	EA
7	45200206	SPACER ANTI RATTLE NYLON	2	EA
8	96760318	CLIP ANTI RATTLE AL.188X2X2.7	2	EA
9	45100168	LOCK MECH INNER	1	EA
10	087181	LOCK HANDLE SPACER	1	EA
11	47002766	GUIDE NYLON DOOR MOULDED LOWER X51.44	1	EA
12	44004104	SEAL RUBBER RS FWD DR X89.25	1	EA
14	45800062	GLASS WINDOW SLIDING LH	1	EA
16	115060409	PANEL LOWER AL .07X 39.4X35.45	1	EA
NS	42002001	INSULATION RFTLX 4FT X 2.75FT	1	EA
17	47000689	HANDLE SIDE BLACK NO CYLINDER	1	EA
18	1113539	PLUG HL	1	EA

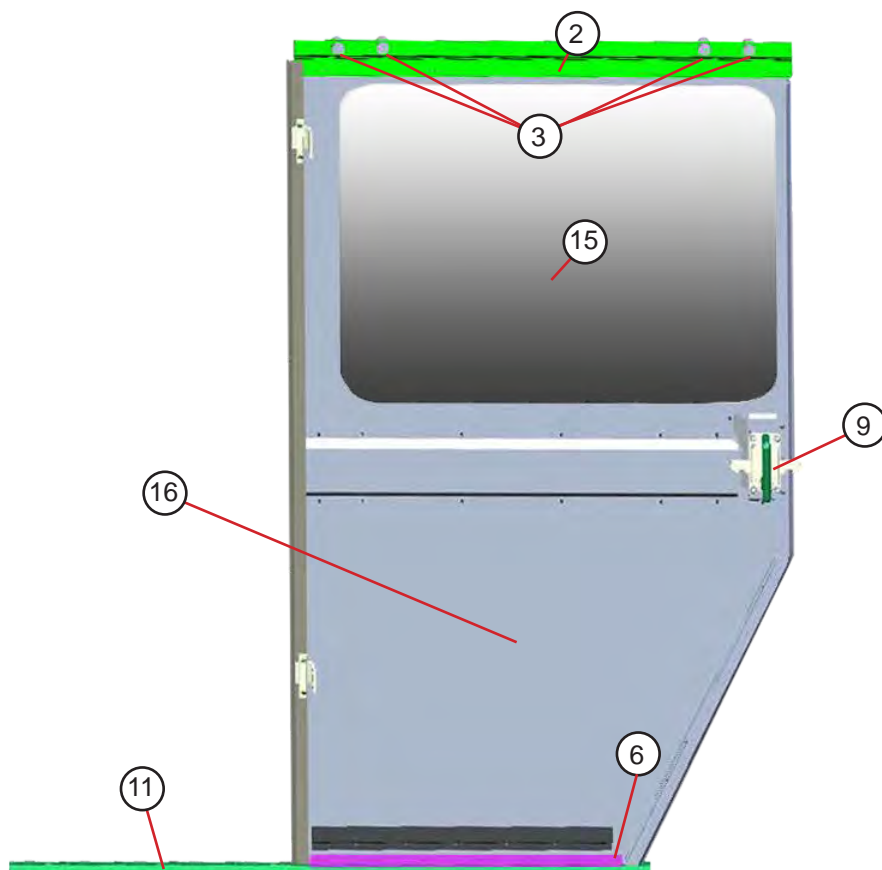
### SIDE DOOR CURBSIDE RH

1	44000260	TR X200FT RL MC #8451A53	0.167	FT
2	96760307	HANGER AL 450515X40.09	1	EA
3	47006595	BEARING	4	PR
4	44008050	SEAL BRUSH TYPE B 1X83.9	0.5	EA
9	45100168	LOCK MECH INNER	1	EA
10	087181	LOCK HANDLE SPACER	1	EA
13	115060202	DOOR SIDE ASSEMBLY RH (DOES NOT INCLUDE ITEMS; 2,3,4,7,8,9,10,11,12,14,17,18,19,20)	1	EA
15	45800063	GLASS WINDOW SLIDING RH	1	EA
16	115060409	PANEL LOWER AL .07X 39.4X35.45	1	EA
NS	42002001	INSULATION RFTLX 4FT X 2.75FT	1	EA
17	47000689	HANDLE SIDE BLACK NO CYLINDER	1	EA
18	1113539	PLUG HL	1	EA
20	45100094	BRACKET STRIKER CAST D/S	1	EA
21	45100093	STRIKER BRZC D/S RR	1	EA
22	45100163	STRIKER BRZC D/S RR	1	EA
23	44002011	BUMPER RUBBER	1	EA

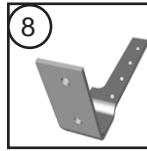
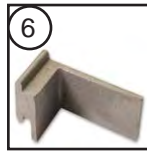
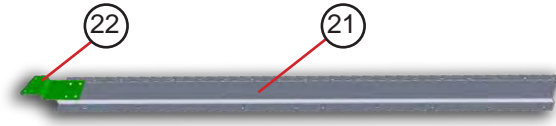
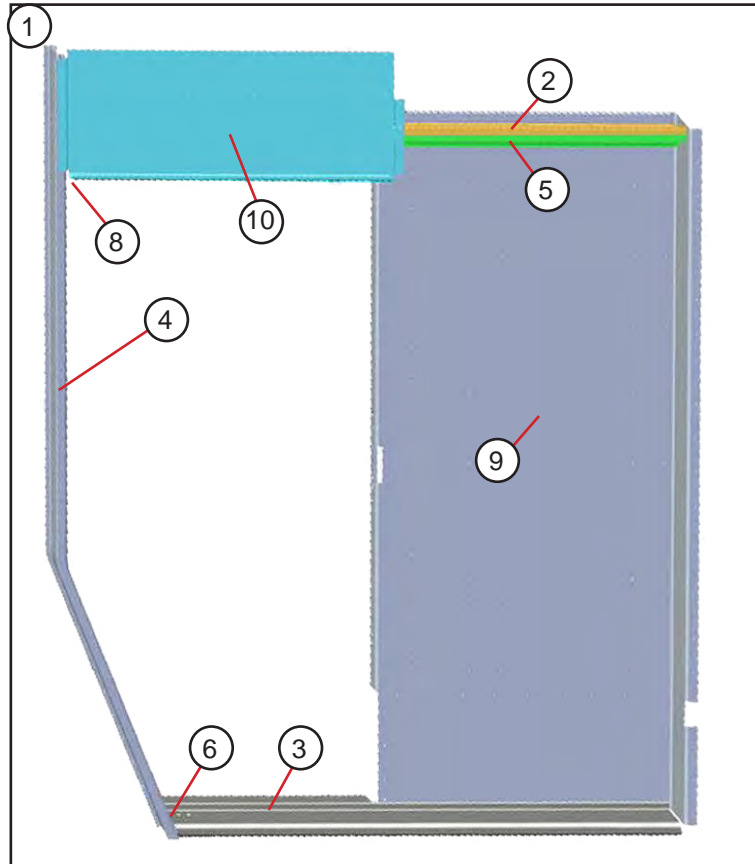
This catalog is for pilot vehicles only

This catalog is for pilot vehicles only

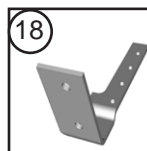
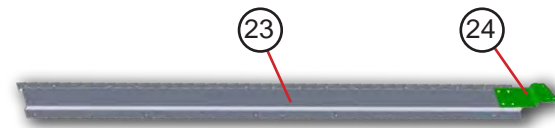
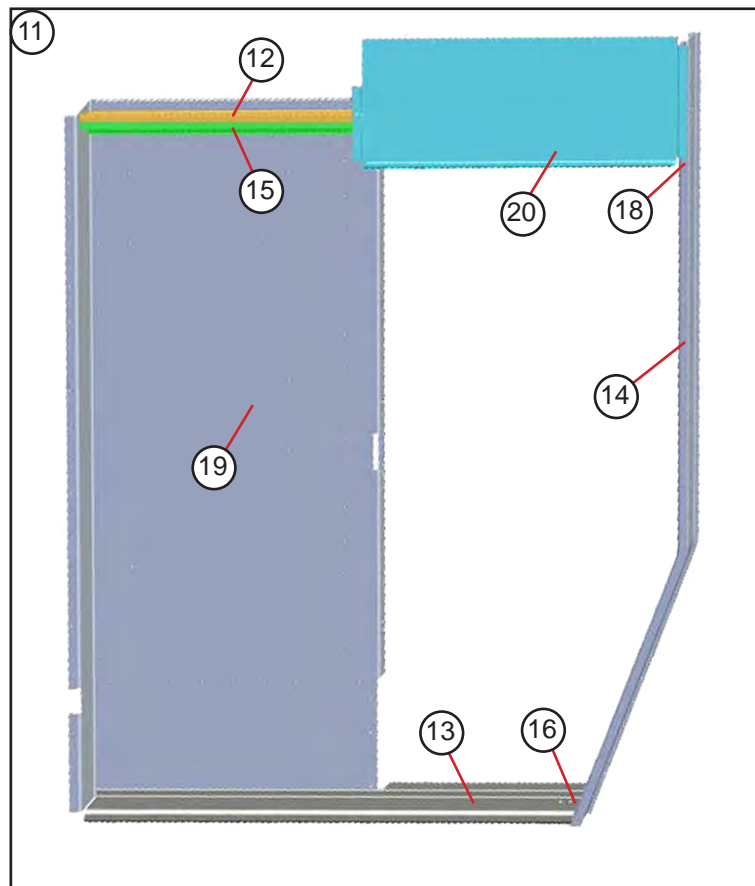
This catalog is for pilot vehicles only



This catalog is for pilot vehicles only



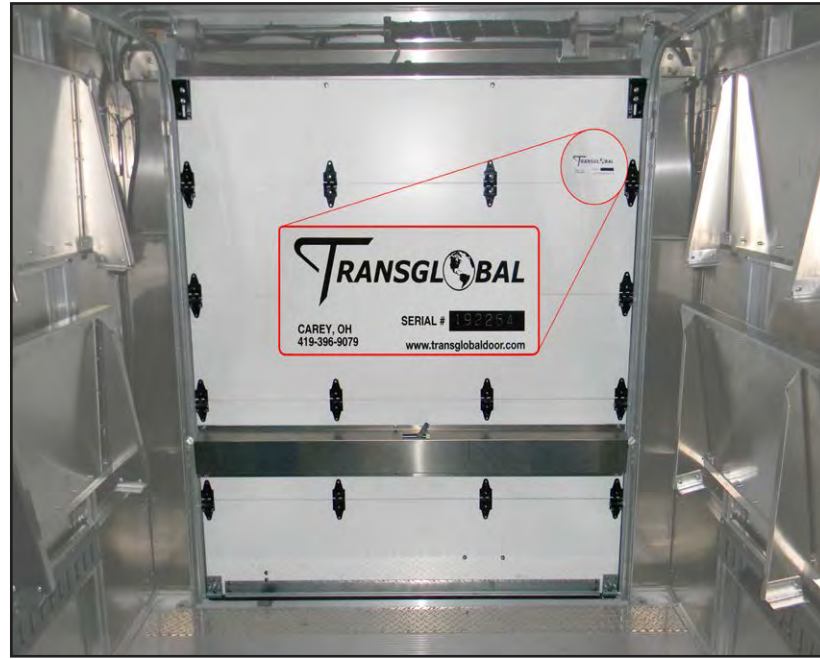
This catalog is for pilot vehicles only



This catalog is for pilot vehicles only

This catalog is for pilot vehicles only

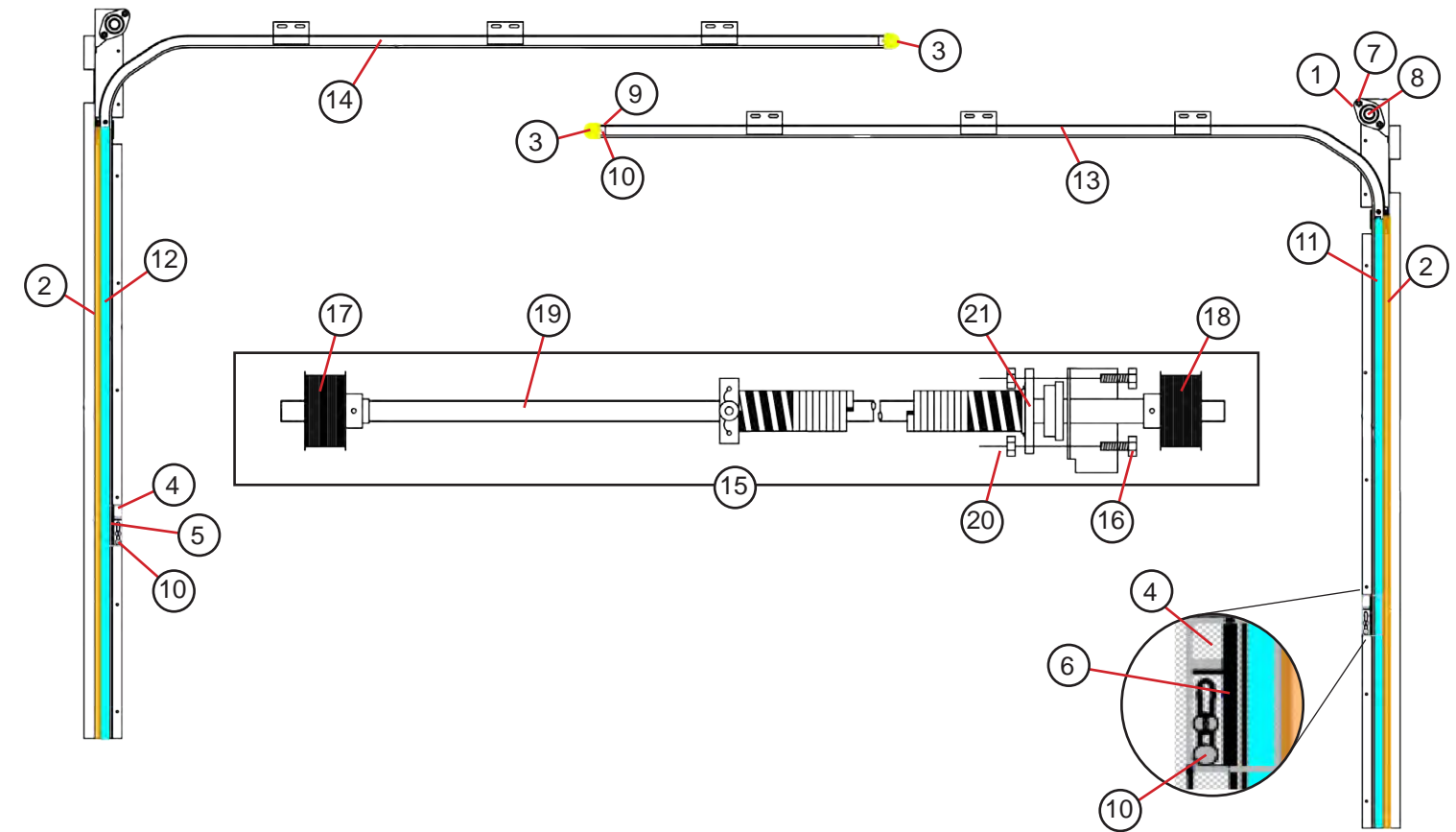
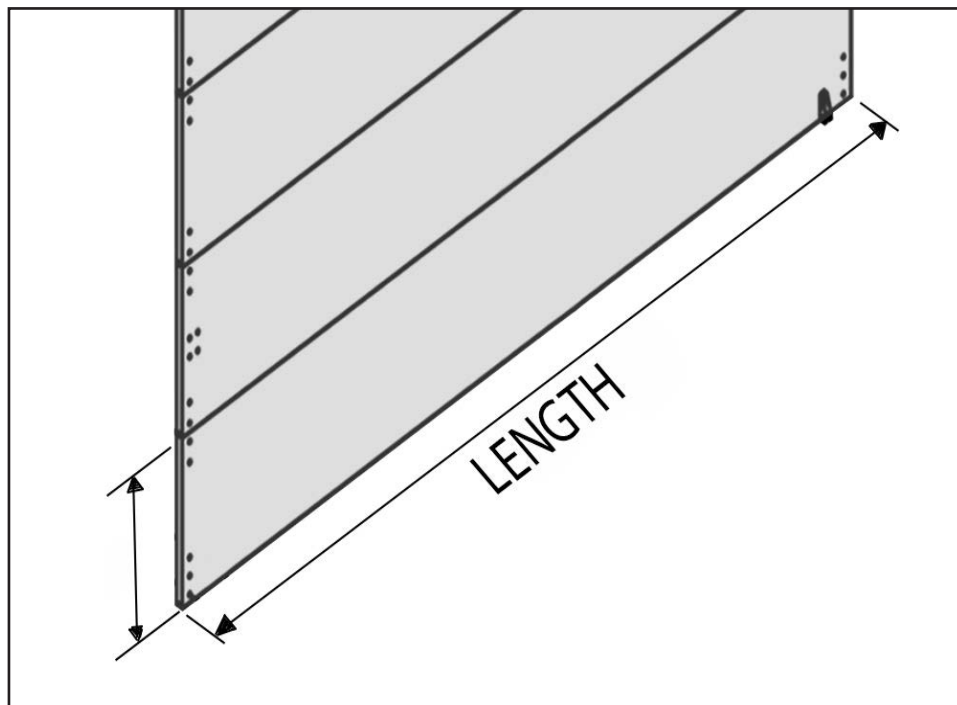
ITEM #	PART #	DESCRIPTION	QTY.	UNIT
<b>DOOR POCKET ROADSIDE</b>				
1	N/A	DOOR POCKET ASSEMBLY 81H W/O VENT LH USPS	1	EA
2	96741302	CHANNEL HEADER AL 450256X75 LH	1	EA
3	095041415	NOSING STEP AL450247X62.57 LH	1	EA
4	095041409	DOOR POST AL450294X92.77	1	EA
5	96741202	TRACK DOOR ASSEMBLY UPPER	1	EA
6	45100048	GUSSET AL CAST HEADER CHANNEL TO D/PST LH	1	EA
7	45100104	GUSSET AL CAST D/PST LOWER LH	1	EA
8	001741407	REINFORCEMENT A POST AL.125X1.53X8.04 LH	1	EA
9	157041405	PANEL D/POCKET AL.102X42.28X82.08 LH	1	EA
10	077410406	PANEL HEADER AL .102X15.49X42.37 LH	1	EA
21	083042400	STIFFENER HEADER AL450328X73.75 LH	1	EA
22	96742302	CLIP AL ZEE .102X3X9.57	1	EA
<b>DOOR POCKET CURBSIDE</b>				
11	N/A	DOOR POCKET ASSEMBLY 81H RH W/O VENT USPS	1	EA
12	96741303	CHANNEL HEADER AL 450256X75 RH	1	EA
13	095041416	NOSING STEP AL450247X62.57 RH	1	EA
14	095041410	DOOR POST AL450294X92.77	1	EA
15	96741202	TRACK DOOR ASSEMBLY UPPER	1	EA
16	45100049	GUSSET AL CAST HEADER CHANNEL TO D/PST RH	1	EA
17	45100105	GUSSET AL CAST D/PST LOWER RH	1	EA
18	001741408	REINFORCEMENT A POST AL.125X1.53X8.04 RH	1	EA
19	157041406	PANEL D/POCKET AL.102X42.26X82.08 RH	1	EA
20	077410407	PANEL HEADER AL .102X15.49X42.37 RH	1	EA
23	083042401	STIFFENER HEADER AL450328X73.75 RH	1	EA
24	96742302	CLIP AL ZEE .102X3X9.57	1	EA



ROLL-UP DOOR SERIAL NUMBER LOCATION

WHEN ORDERING PARTS FOR ROLL-UP DOORS, PLEASE PROVIDE THE FOLLOWING INFORMATION. THE SERIAL NUMBER LOCATED ON THE INTERIOR TOP PANEL ROADSIDE EDGE. THE LENGTH AND HEIGHT OF THE DOOR PANEL(S) TO BE ORDERED.

IN THE EVENT OF A DAMAGED, UN-READABLE OR MISSING SERIAL NUMBER, PLEASE TRY TO PROVIDE THE COMPOSITION DETAILS OF THE DOOR PANEL. (PLASTIC COATED, ALUMINUM CLAD, PLYWOOD, ETC.)



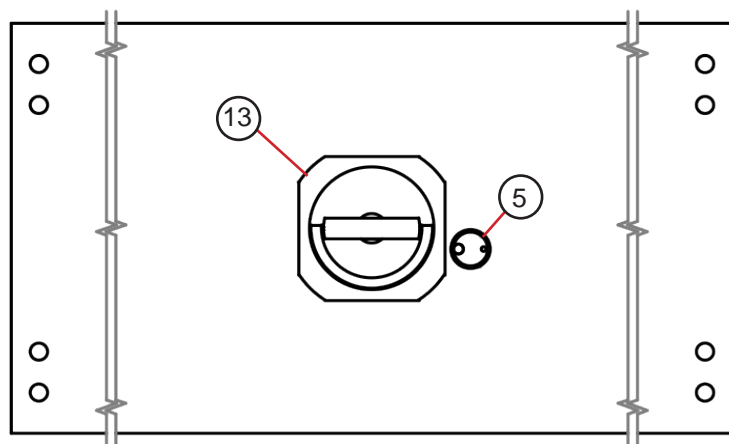
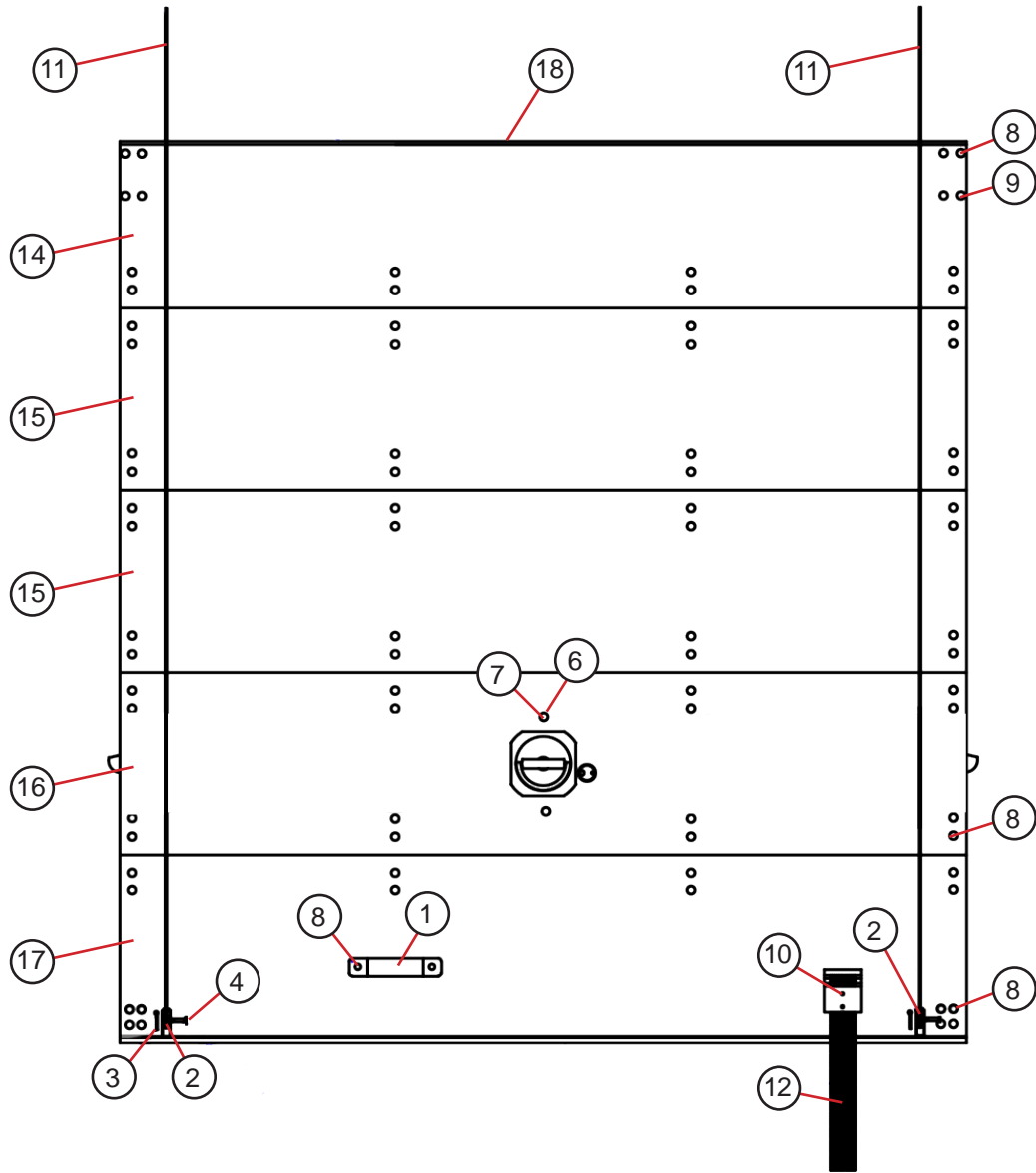
ITEM #	PART #	DESCRIPTION
1	47106737	BEARING ASSEMBLY
2	47106738	SIDE SEAL SNAP-IN STYLE 75.5"
3	47106739	1" HEAD PROTECTOR YELLOW
4	47106740	LOCK CATCH
5	47106758	CATCH MOUNTING PLATE - LH (CS)
6	47106759	CATCH MOUNTING PLATE - RH (RS)
7	47106743	5/16" X 1" HEX HEAD BOLT GRADE 5
8	47106744	5/16 KEP NUT
9	47106745	1/4 -20 X 1 3/4" HEX HEAD BOLT (25C175HCS5Z)
10	47106746	1/4" KEP NUT
11	47106747	VERTICAL TRACK ASSEMBLY - #47106270- CURBSIDE
12	47106748	VERTICAL TRACK ASSEMBLY - #47106270- ROADSIDE
13	47106749	HORIZONTAL TRACK ASSEMBLY- #47106270- CURBSIDE
14	47106750	HORIZONTAL TRACK ASSEMBLY- #47106271- ROADSIDE
<b>Counterbalance Assembly</b>		
15	47106751	COUNTERBALANCE ASSEMBLY - #47106270
17	47106753	CABLE DRUM LH
18	47106754	CABLE DRUM RH
19	47106755	COUNTERBALANCE SHAFT - 68.75"

This catalog is for pilot vehicles only

This catalog is for pilot vehicles only

This catalog is for pilot vehicles only





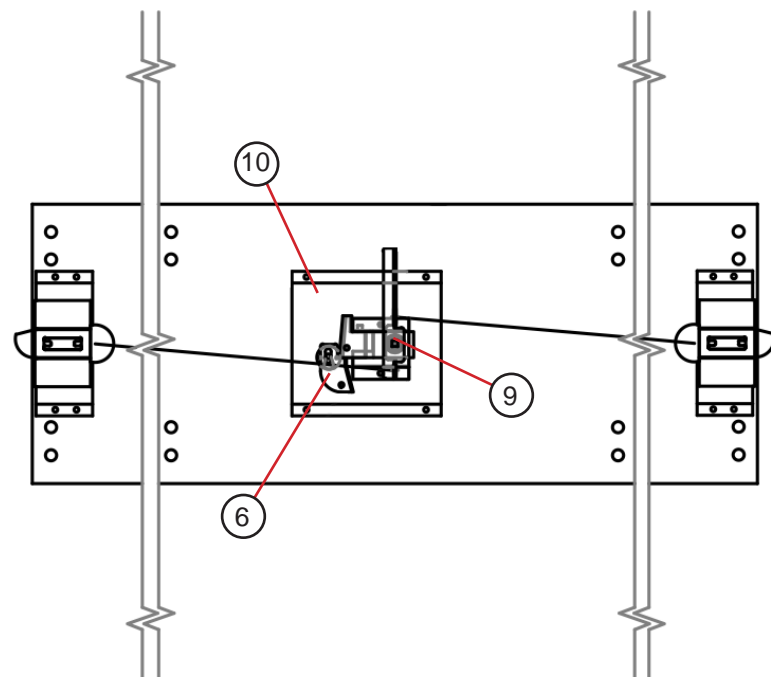
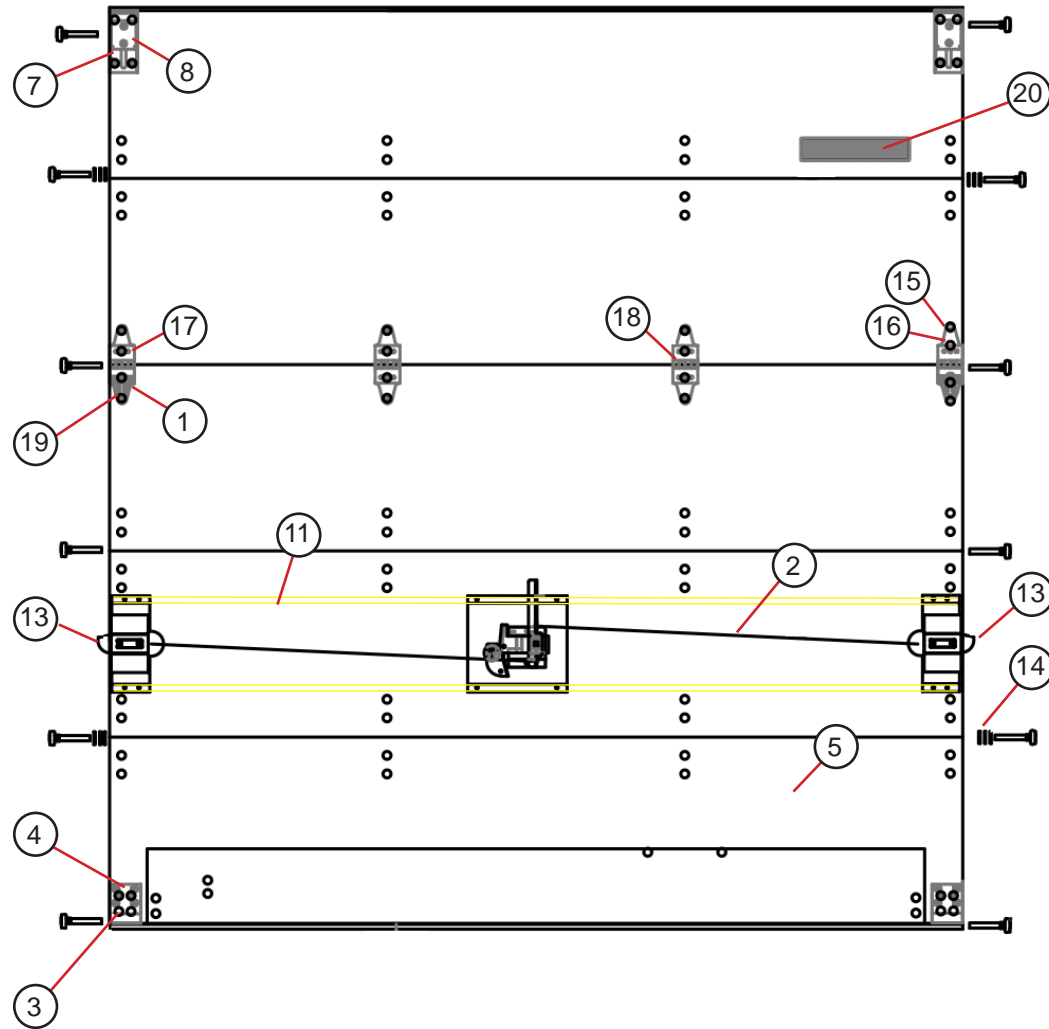
ITEM#	PART#	DESCRIPTION
1	47106701	LIFT HANDLE - WHITE
2	47106703	CABLE ANCHOR BRACKET - WHITE
3	47106706	1/4" X 1" CABLE ANCHOR PIN
4	47106719	3/32" X 1" COTTER PIN
5	47106709	BEST CYLINDER LOCK AND MODIFIED RING 6.25MM
6	47106722	1/4"-20 X 1" CARRIAGE BOLT - STAINLESS STEEL
7	47106723	1/4" NYLOK NUT
8	47106724	1/4" X 5/8" SS SEMI TUBULAR RIVET
9	47106725	1/4" X 3/4" SS SEMI TUBULAR RIVET
10	47106726	1/4" X 7/8" SS SEMI TUBULAR RIVET
11	47106727	CABLE 95" 7 X 19 SS 1/4 METAL EYE (EACH)
12	47106728	12" PULL STRAP - LOOPED W/ BLACK RETAINER
13	47106729	D-RING HANDLE - 2 PT LOCK
14	47106732	.25" COMPOSITE TOP PANEL- COMPLETE- 13.5" X 68.75" W/ SEAL
15	47106733	.25" COMPOSITE INTERMEDIATE PANEL - 15" X 68.75"
16	47106735	.25" COMPOSITE 2PT LOCK PANEL- COMPLETE 15" X 68.75"
17	47106734	.25" COMPOSITE BOTTOM PANEL -COMPLETE 15" X 68.75"
18	47106736	TOP PANEL SEAL ASSEMBLY - 68.75"

This catalog is for pilot vehicles only

This catalog is for pilot vehicles only

This catalog is for pilot vehicles only

This catalog is for pilot vehicles only



ITEM#	PART#	DESCRIPTION
1	47106700	ROLLER HINGE COVER
2	47106702	CABLE ASSY. 29.75" WITH (2) STOPS & WASHER (EACH) 2
3	47106704	ROLLER CLAMP, 3 HOLE ROLLER CLAMP FOR 1" ROLLERS
4	47106705	3 STUD BOTTOM FIXTURE ASSEMBLY -COMPLETE
5	47106707	1" STEEL ROLLER
6	47106708	TOP CAM CATCH
7	47106710	TOP CLOSURE ASSEMBLY COMPLETE
8	47106711	TOP CLOSURE SLIDE ONLY
9	47106712	CENTER CONTROL COMPLETE
10	47106714	LATCH BASE CENTER - .80" OFF, D-RING,BEST CYLINDER,
11	47106715	ALUMINUM CABLE COVER - 68.375" LENGTH - 7.5MM COMP,
12	47106716	TWO POINT END LATCH ASSEMBLY- CURBSIDE
13	47106717	TWO POINT END LATCH ASSEMBLY- ROADSIDE
14	47106718	SPACER WASHER
15	47106720	BUCK RIVET - 11/16"
16	47106721	BUCK RIVET - 13/16"
17	47106730	1207 HEAVY DUTY
18	47106731	CENTER HINGE-HEAVY DUTY
19	47106723	1/4" NYLOK NUT
20	N/A	IDENTIFICATION PLATE S/N

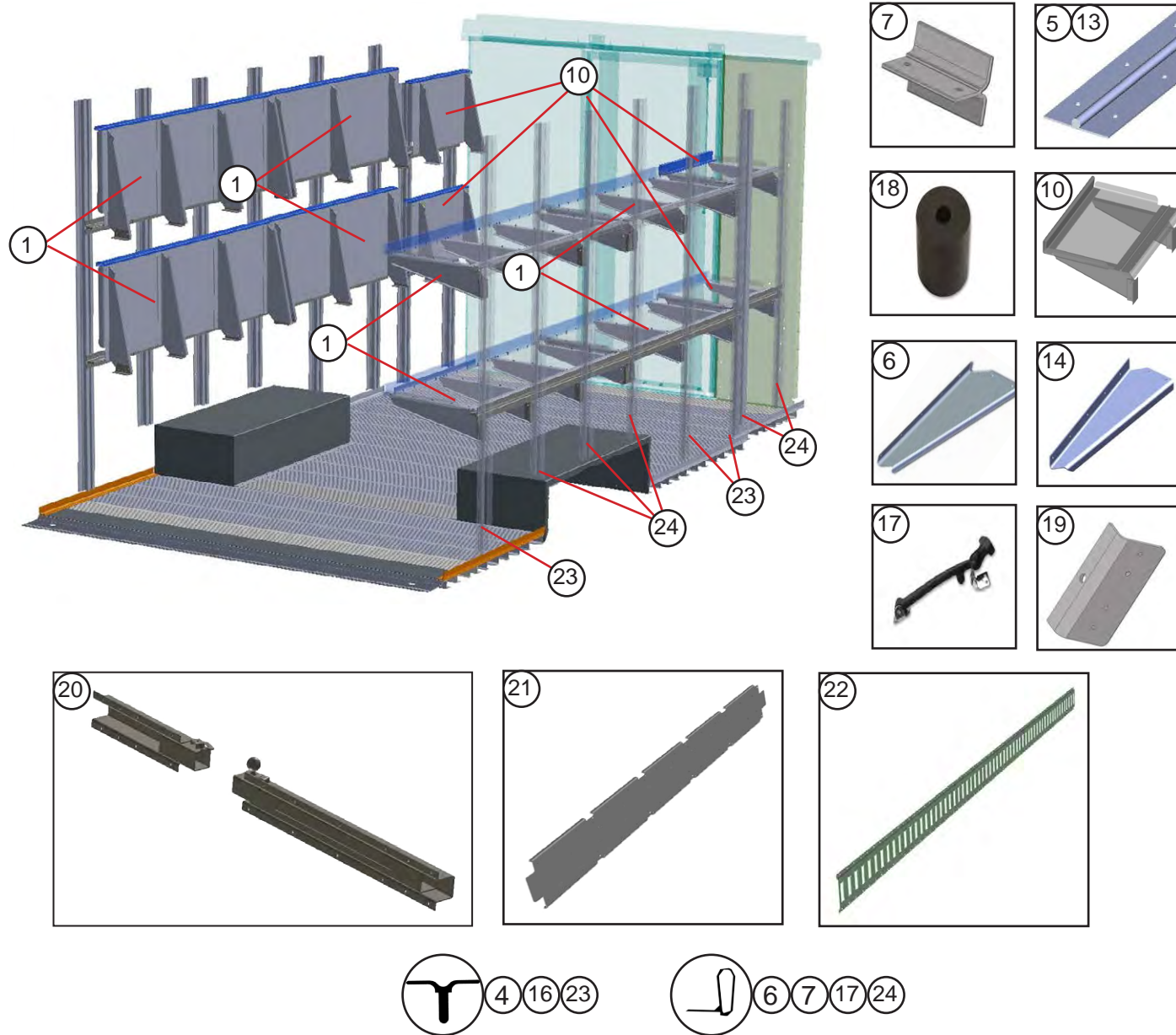
This catalog is for pilot vehicles only

This catalog is for pilot vehicles only

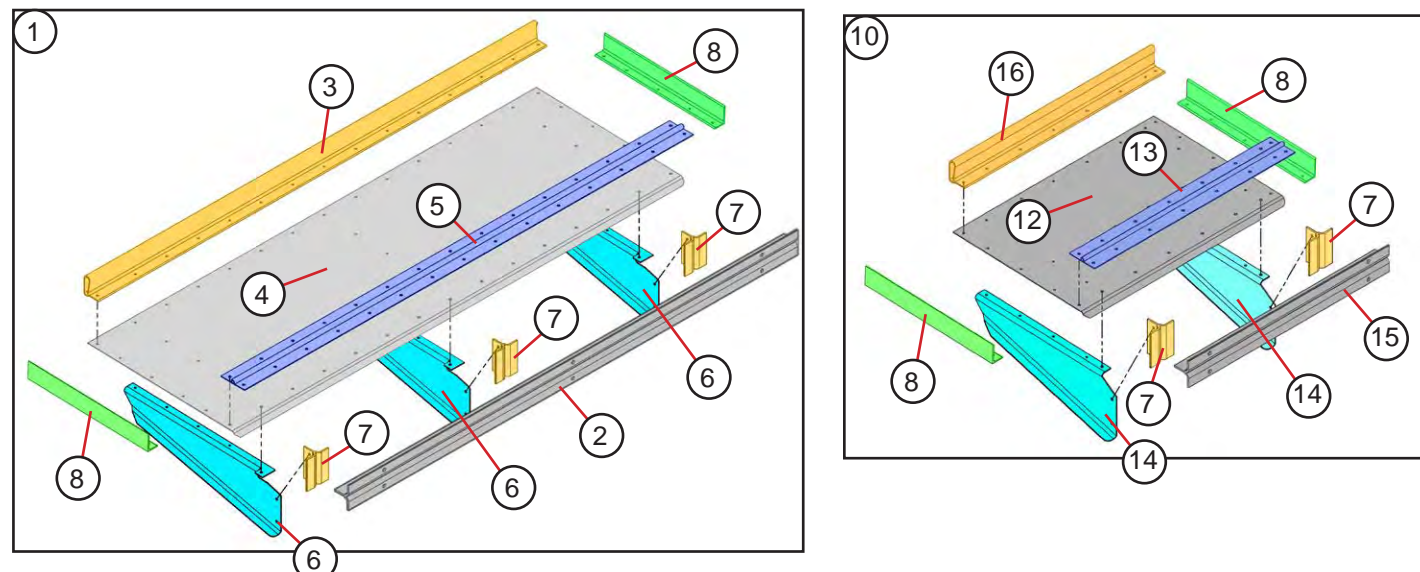
This catalog is for pilot vehicles only

This catalog is for pilot vehicles only

This catalog is for pilot vehicles only



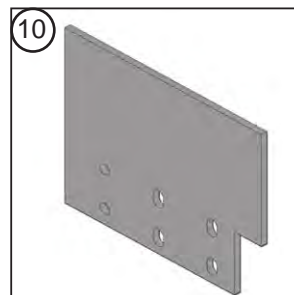
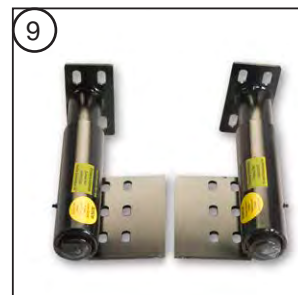
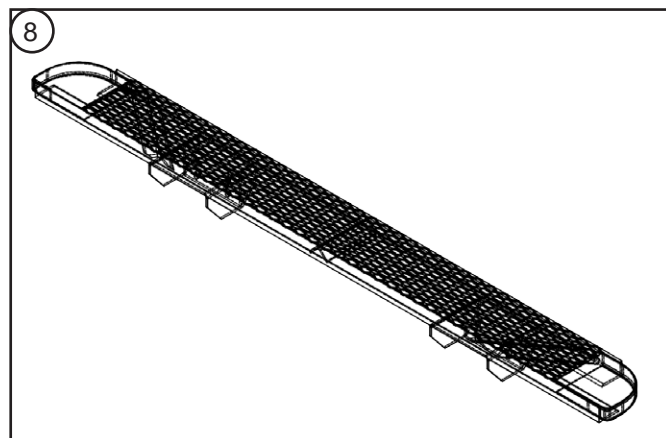
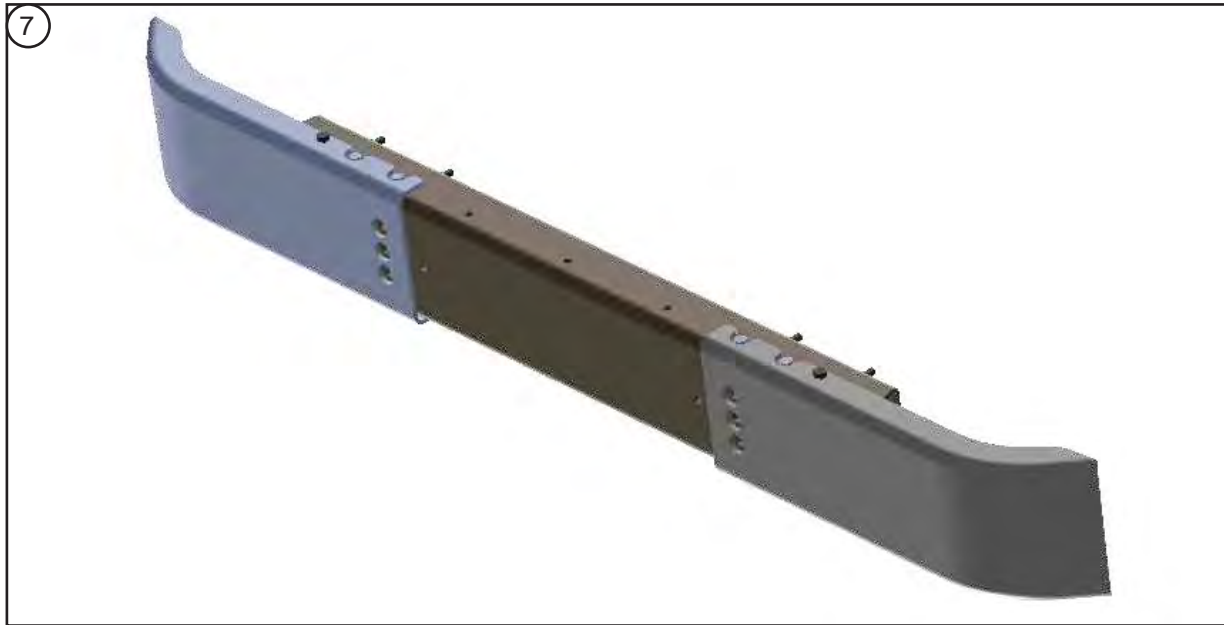
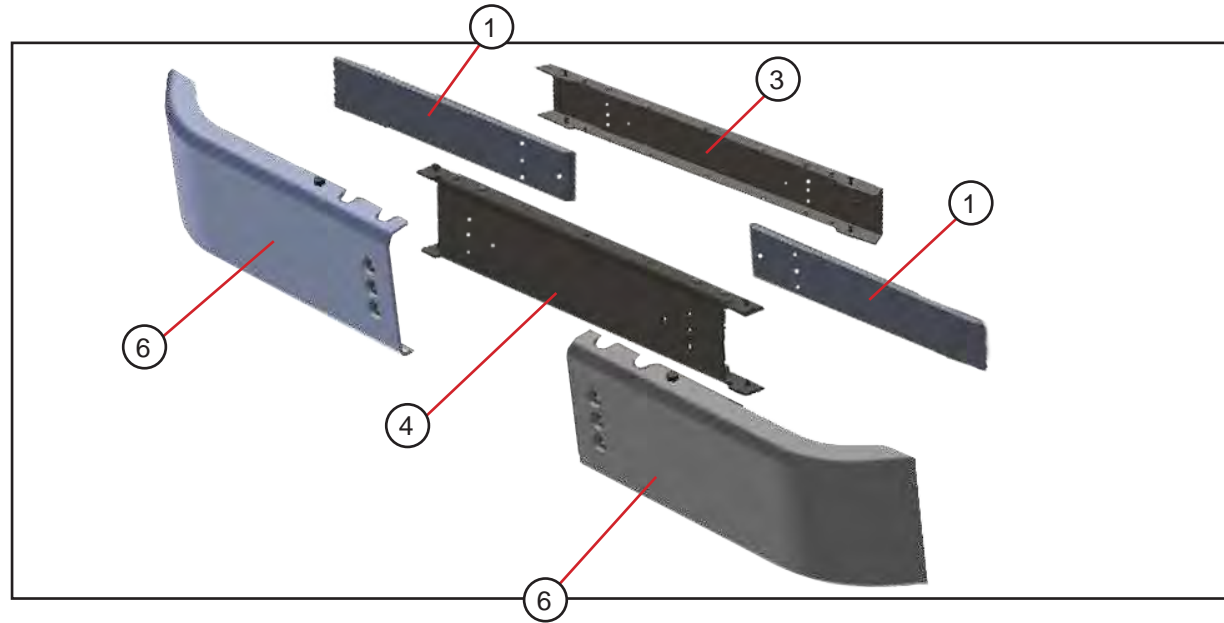
This catalog is for pilot vehicles only



ITEM #	PART #	DESCRIPTION	QTY.	UNIT
1	157106201	<b>SHELF FOLDING ASSEMBLY</b>	8	EA
2	157106436	SUPPORT T HORZ AL 450601X57	1	EA
3	157106437	LIP SHELF AL 450589X57	1	EA
4	157106438	PANEL SHELF AL .07X19.23X57	1	EA
5	157106439	HINGE STEEL ZP 47007795X57	1	EA
6	157106440	SHELF ARM AL .102X7.41X20.07	3	EA
7	157106433	FOOT PAD AL 450601X3.5	3	EA
8	157106441	ANGLE SHELF AL 450188X15.25	2	EA
<b>SHELF FOLDING ASSEMBLY (@DOOR POCKETS)</b>				
10	157106205	<b>SHELF FOLDING ASSEMBLY (@DOOR POCKETS)</b>	4	EA
7	157106433	FOOT PAD AL 450601X3.5	2	EA
12	157106434	PANEL SHELF AL .07X16.2X24	1	EA
13	157106435	HINGE STEEL ZP 47007795X24	1	EA
14	157106432	SHELF ARM AL .102X7.54X17.08	2	EA
15	157106430	SUPPORT SHELF T AL450601X24	1	EA
16	157106431	LIP SHELF 450589X24	1	EA
8	157106441	ANGLE SHELF AL 450188X15.25	2	EA
17	47000511	LATCH FLEX DRAW	1	EA
18	44002011	BUMPER RUBBER	2	EA
19	093106578	CLIP ANGLE AL.125X3.1X5	1	EA
20	47000953	BAR LOAD STAB ASSEMBLY USPS	1	EA
<b>E-TRACK SECTIONS</b>				
21	157102402	E/TRACK HAT AL.125X7.54X110	2	EA
21	157102405	E/TRACK HAT AL.125X7.54X21 (@DOOR POCKET)	2	EA
22	157102400	E/TRACK 1101531X110	2	EA
22	157102401	E/TRACK 1101531X22	2	EA
22	157102406	E/TRACK 1101531X19 (@DOOR POCKET)	2	EA
<b>SIDE WALL STIFFENERS</b>				
23	093048411	STIFFENER SIDE AL 450595X75.5	6	EA
24	157048401	STIFFENER SIDE AL 450595X64.75	10	EA

This catalog is for pilot vehicles only

This catalog is for pilot vehicles only



ITEM #	PART #	DESCRIPTION	QTY.	UNIT
<b>FRONT BUMPER</b>				
1	155008417	BUMPER LEAF SPRING FRONT STEEL .375X5X22	2	EA
3	155008416	BUMPER FRONT STEEL .25X14.91X55.31	1	EA
4	155008415	BUMPER CHANNEL OUTER STEEL 7GAX11.27X41	2	EA
6	155008206	BUMPER OUTER WELDMENT	2	EA
7	155008001	BUMPER FRONT ASSEMBLY (ITEMS 1 TO 6)	1	EA
<b>REAR BUMPER</b>				
8	157057203	BUMPER ASSEMBLY 88W USPS 2-TON	1	EA
9	003057200	MOUNTING BUMPER SHOCK	2	EA
10	155007446	HANGER PLATE BUMPER STEEL .312X9X11	2	EA

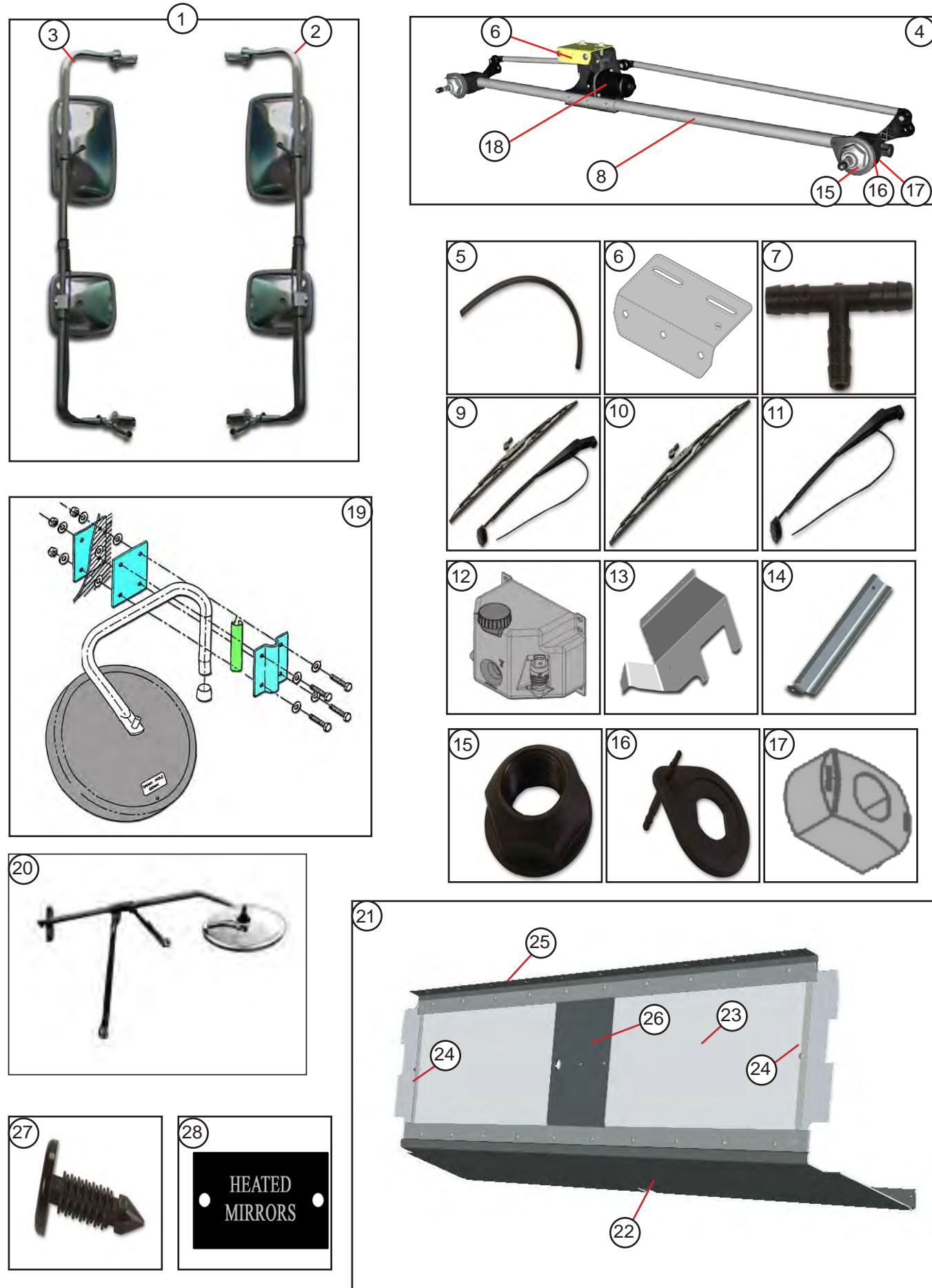
This catalog is for pilot vehicles only

This catalog is for pilot vehicles only

This catalog is for pilot vehicles only

This catalog is for pilot vehicles only

This catalog is for pilot vehicles only

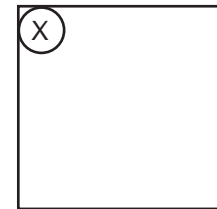
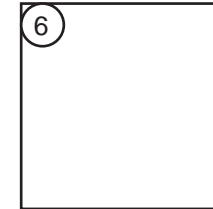
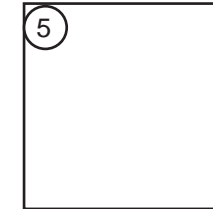
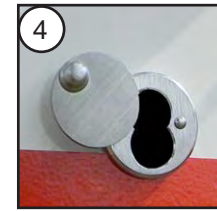
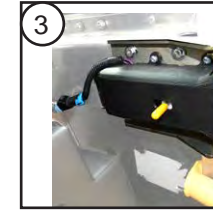
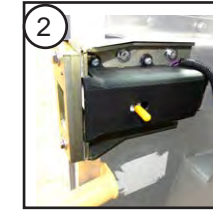
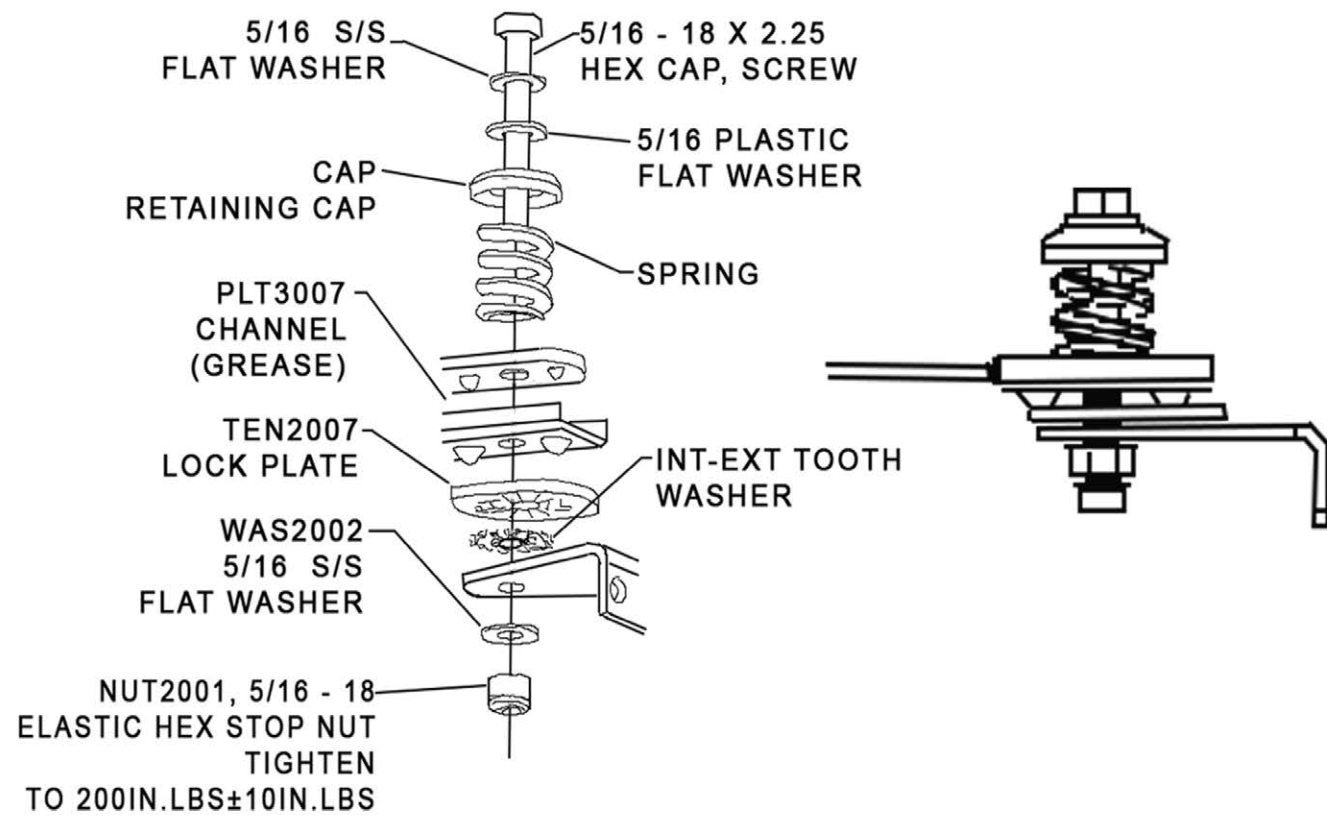
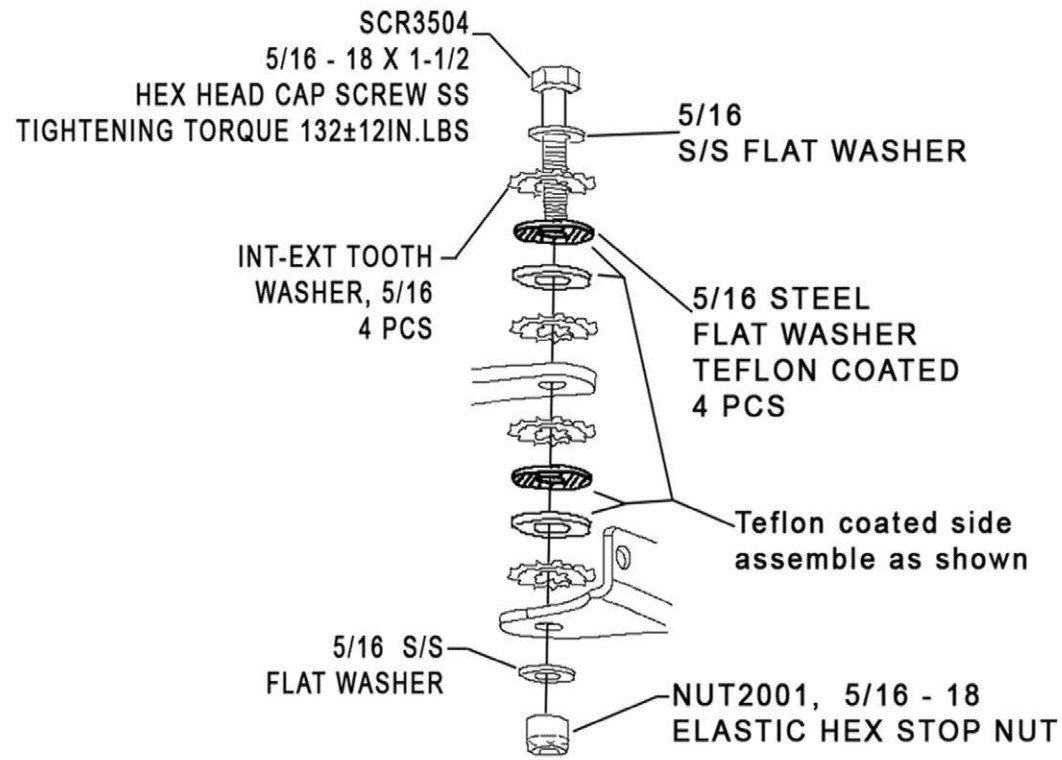


This catalog is for pilot vehicles only

ITEM #	PART #	DESCRIPTION	QTY.	UNIT
<b>MIRROR ASSEMBLIES</b>				
1				
2	47006162	MIRROR SS HEATED LH	2	EA
3	47006163	MIRROR SS HEATED RH	2	EA
19	47005090	MIRROR SS ADJUSTABLE WITH BRACKET	1	EA
20	47005099	MIRROR FRONT SIDE VIEW	1	EA
<b>WINDSHIELD WIPER</b>				
5	1107122	HOSE .188 ID WSW	12	FT
6	083055454	BRACKET WIPER MOTOR	1	EA
7	1101694	TEE WSWA U/T	1	EA
8	47004187	WIPER SYSTEM TBLR 2 PIVOT	1	EA
9	146363001	WIPER ARM WITH BLADE 20/24	1	EA
10	47004134	BLADE 24IN BLACK	1	EA
11	47004205	ARM WSW WET 20IN RADIAL BLACK	1	EA
12	47004505	RSVR W/PUMP WSWA	1	EA
13	093063400	BRACKET MOUNTING RSVR BOTTLE AL.102X14.22X23.72	1	EA
14	155063400	BRACKET SUPPORT W/BTL AL.102X2.95X10.41	1	EA
15	47005901	NUT	2	EA
16	47005902	PIVOT COVER	2	EA
17	47005903	SPACER	2	EA
18	47005900	MOTOR WINDSHIELD WIPER	1	EA
21	150076000	WIPER MOTOR COVER ASSEMBLY	1	EA
22	150076401	WIPER MOTOR COVER BOTTOM AL .102X13.38X86.56	1	EA
23	150076400	MOTOR COVER .5MM 1100 PLYFELT CHRC	1	EA
24	150076403	WIPER MOTOR STRAP AL .07X1X14.5	2	EA
25	150076404	WIPER COVER ZEE (TOP) AL .07X3.09X20.24	1	EA
26	150076402	WIPER MOTOR SUPPORT AL .102X12X14.51	1	EA
27	47006610	CLIP PLASTIC FLAT/HEAD .45HEADX.64	22	EA
28	45201913	LEGEND PLATE HEATED MIRROR	1	EA

This catalog is for pilot vehicles only

This catalog is for pilot vehicles only



ITEM #	PART #	DESCRIPTION	QTY.	UNIT
1	46029040	MODULE KEYLESS RF WITH 3 FOBS USPS 201	1	EA
2	46029041	LOCK KYLS ENTRY LH D/S 2015	1	EA
3	46029042	LOCK KYLS ENTRY RH D/S 2015	1	EA
4	1113456	CYLINDER LOCK ASSEMBLY	1	EA
5	137147415	LOCK COVER W/DUST CVR 1.12 CAM	1	EA
6	47106676	CORE KIT 6-PIN PO W/1KEY	1	EA
7			1	EA
8			1	EA
9			1	EA
10			1	EA

This catalog is for pilot vehicles only

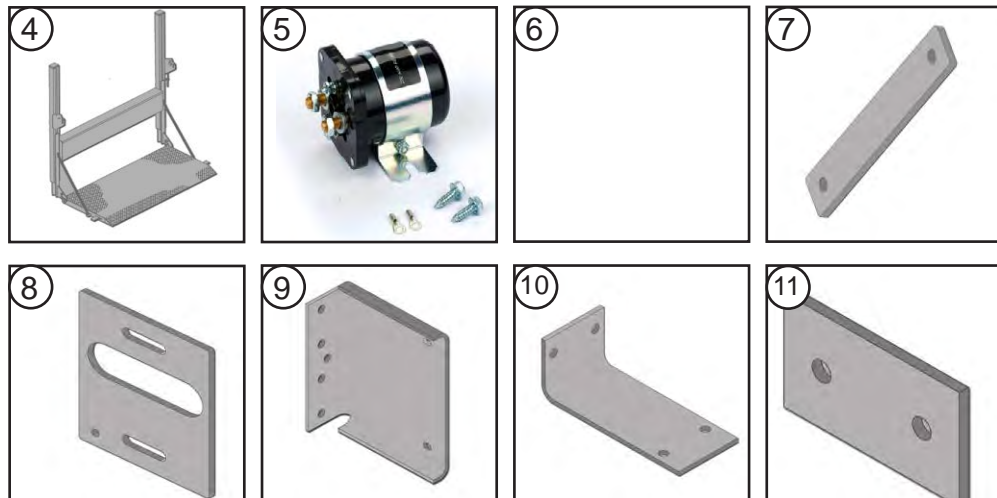
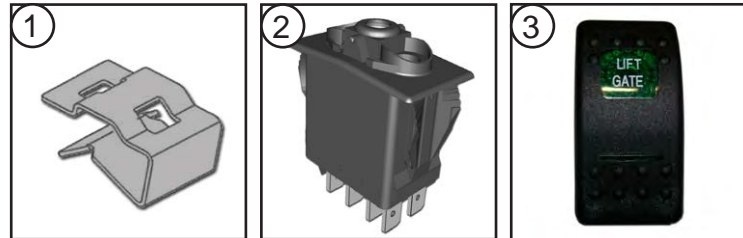
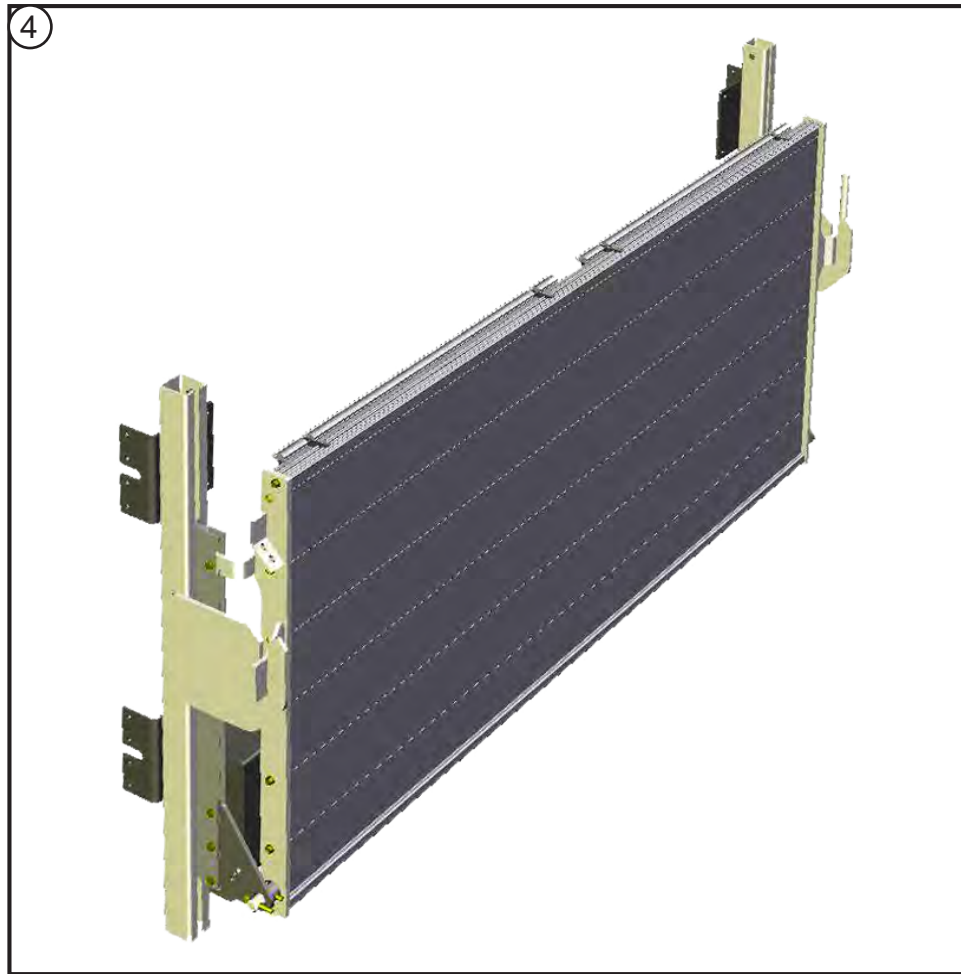
This catalog is for pilot vehicles only

This catalog is for pilot vehicles only

This catalog is for pilot vehicles only

This catalog is for pilot vehicles only

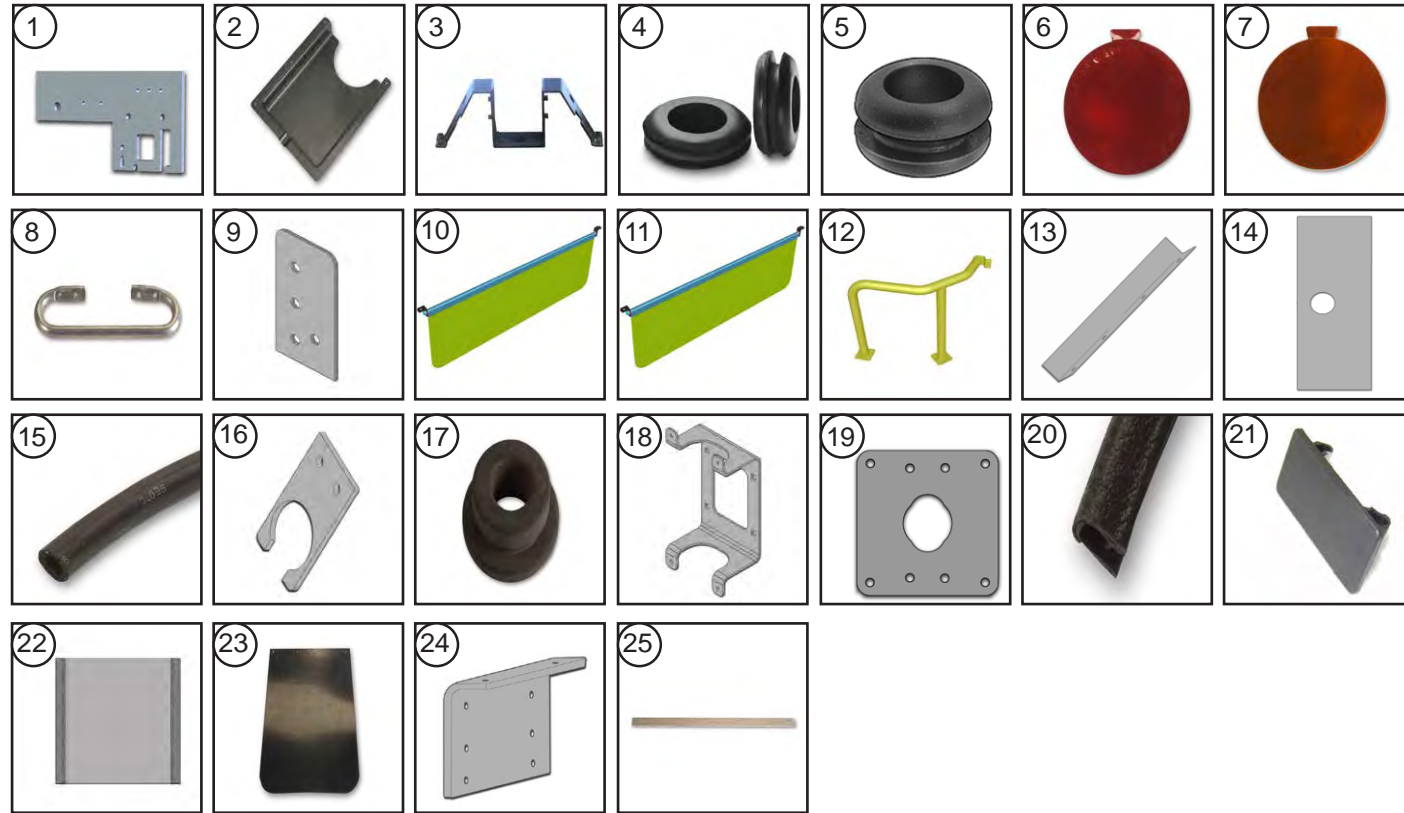
This catalog is for pilot vehicles only



ITEM #	PART #	DESCRIPTION	QTY.	UNIT
1	46021115	CLIP BODY LARGE PAN	1	EA
1	46021114	CLIP BODY MED PAN	1	EA
NS	46026407	PAINT ELEC INSUL SPRAY ENAMEL RED	0.04	EA
2	46023524	SWITCH ROCKER BASE ONLY SPST MOMENTARY	1	EA
3	46023619	SWITCH ROCKER ACTUATOR ONLY L/G	1	EA
4	47005488	LIFT GATE 36X83+12 BOLT-ON	1	EA
5	47005289	SWITCH RELAY 200AMP	1	EA
NS	132088206	HARNESS BATTERY POS 2GA BRKR 24"	1	EA
7	157125405	SHIM UPR LEG AL .25X1.5X7.25	2	EA
8	157125406	SHIM LWR LEG AL .25X6X7.25	2	EA
9	157125407	BRACKET UPR LEG AL .188X8.61X9.47	2	EA
10	157125408	BRACKET LWR LEG AL .188X2.8X8.62	2	EA
11	157125409	PLATE LOWER LEG AL .188X2X3.5	2	EA

This catalog is for pilot vehicles only

This catalog is for pilot vehicles only



ITEM #	PART #	DESCRIPTION	QTY.	UNIT
1	095116400	INSULATION DASH WALL	1	EA
2	85679004	DOCUMENT HOLDER COMPT FORMS	1	EA
3	98794400	GUARD CAMERA AL .102X1.56X25.40	1	EA
4	44000052	GROMMET .688X.125X1 BACK UP CAM	1	EA
5	46004404	GROMMET 0.313 X 0.188 X 0.531 BACK UP CAM	1	PK
6	46025017	REFLECTOR RED 2.88DIA	4	EA
7	46025018	REFLECTOR AMBER 2.88DIA	2	EA
8	90187300	GRAB HANDLE .5X15.7	2	EA
9	150061400	BRACKET S/V AL.07X1.5X3	2	EA
10	47005504	SUN VISOR 8X33	1	EA
11	47005645	SUN VISOR 8X30 W/ SINGLE PIVOT	2	EA
12	47001047	RAIL GRAB PWDRCT YL	4	EA
13	97650306	ANGLE CLIP AL 450196X3.5 (TIE DOWN)	2	EA
14	78331095	PLATE TIE DOWN	18	EA
15	44001004	HOSE HEATER HIGH TEMP .62ID	7.5	FT
16	090087401	PLATE FILLER WIRING AL .102X 1.44X2.63	2	EA
17	1107072	GROMMET	1	EA
18	102084499	BRACKET FUSE CENTER AL.102X4X12.78	1	EA
19	083092404	COVER FUSE CENTER AL.102X4X4.13	1	EA
20	072109049	TRIM QUICK EDGE BLACK	1	FT
21	46023506	PLUG ROCKER SWITCH BLACK	1	EA
22	155026405	SPLASH PAN FUEL FILL	1	EA
23	44000121	MUD FLAP .25x18x20	2	EA
24	80795014	ANGLE RETAINER AL .188X5X20	2	EA
25	7504428	RETAINER MD/FLP AL .125X1.5X20	2	EA

This catalog is for pilot vehicles only

This catalog is for pilot vehicles only

This catalog is for pilot vehicles only

This catalog is for pilot vehicles only





ITEM #	PART #	DESCRIPTION	QTY.	UNIT
1	46000206	HEADLAMP RECT ASSEMBLY	2	EA
2	44000052	GROMMET .68x.125x1	7	EA
3	46027656	GROMMET OBLONG BLACK	2	EA
4	46027653	LAMP PARK / TURN FRONT	2	EA
5	46004443	GROMMET 4"	6	EA
6	46001448	LAMP BACK UP LED	2	EA
7	46002266	LAMP REAR COMBO LED	4	EA
8	48200161	CAMERA BACKUP LED	1	EA
9	48200163	MONITOR BACKUP	1	EA
10	46001391	LAMP CLEARANCE MARKER PC AMBER	2	EA
11	46001388	LAMP CLEARANCE MARKER PC RED	7	EA
12	46001390	LAMP CLEARANCE MARKER PC AMBER	6	EA
13	46002637	LAMP DOME RECESSED LED CAB	1	EA
13	46002668	LAMP DOME LED SURF MTG	3	EA
14	150091402	BRACKET DOME LAMP AL .102X10.17X25	2	EA
15	150091401	BRACKET DOME LAMP AL .102X10.17X15	1	EA
16	46032323	DET MOTION DOME LAMP 10 MIN TMR	1	EA
17	46003017	LAMP INTERMITANT WIPER	1	EA
18	46023511	SWITCH ROCKER DOOR UNLOCK SPST	1	EA
19	46023508	SWITCH ROCKER CAB DOME SPST	1	EA
20	47006164	SWITCH HEATED MIRRORS	1	EA

This catalog is for pilot vehicles only

This catalog is for pilot vehicles only

This catalog is for pilot vehicles only

This catalog is for pilot vehicles only

This catalog is for pilot vehicles only

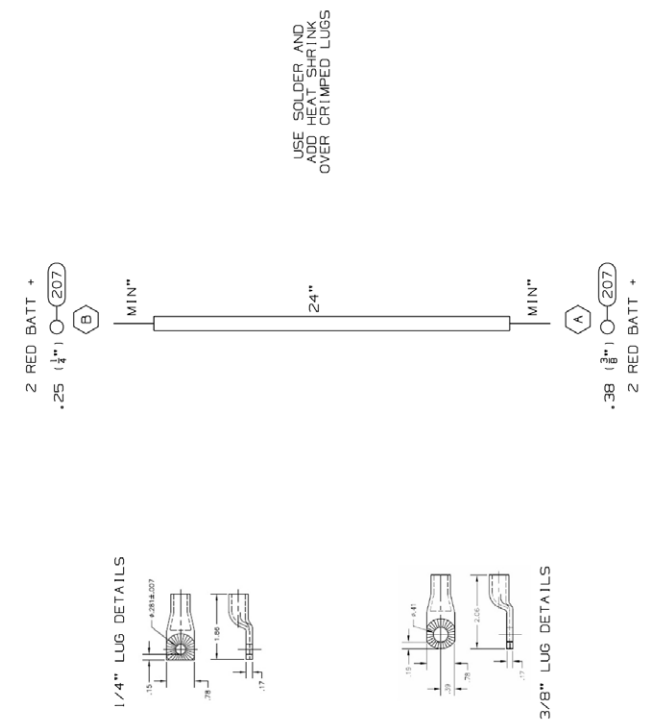
PAGE	PART #	DESCRIPTION	QTY.	UNIT
49	132088206	HARNESS BATTERY POS 2GA BRKR 24"	1	EA
50-51	150091201	HARNESS ROOF TO NOSE USPS 2015	1	EA
52-53	153093201	HARNESS ROOF	1	EA
54-60	155084201	HARNESS INSTRUMENT PANEL	1	EA
61	155084202	HARNESS FUSE CENTER	1	EA
62	155085200	HARNESS HOOD USPS 2015	1	EA
64-65	155088200	HARNESS WIPER / ENG	1	EA
66-67	157086201	HARNESS REAR	1	EA
FIG. 1	48200162	CABLE BACKUP CAMERA TO MONITOR 33'	1	EA
68	990002213	HARNESS A/C	1	EA



This catalog is for pilot vehicles only

DRAWING NO.	REV	SHT
132088206	REL	1 OF 1
DESCRIPTION	BY	DATE
RELEASE FOR PRODUCTION		

CIRCUIT	GA/COLOR	END POINTS	FUNCTION
207	2 RED	A, B	BATT +



- VENDOR MAY REPLACE PIGTAILS WITH WIRING TO CONNECTOR PIGTAILS SHOWN IN TERMINAL VIEW.
- HARNESS TO BE TESTED FOR CONTENTS, SHORTS, AND CONTINUITY.
- CONNECTORS SHOWN FROM THE VIEW INDICATED, UNLESS OTHERWISE NOTED.
- SPLICES TO BE AUTOMATED WITH SOLDER AND ADHESIVE LINED HEAT SHRINK TUBING.
- TAPE (111096): 6" AT BREAKOUTS, 2" AT 18" INTERVALS. FOR UNINTERRUPTED LOOM LENGTHS GREATER THAN 24", AND 2" AT LOOM ENDS.
- HARNESS TO HAVE A LABEL SHOWING MORGAN OLSON PART NUMBER, REVISION NUMBER, DATE OF MANUFACTURE.
- SPLIT HI-TEMP POLY LOOM UNLESS OTHERWISE NOTED.
- SGX WIRE.

**PROPRIETARY**  
This drawing and the information and data contained herein are the property of Morgan Olson and may not be copied, reproduced, or transmitted in any form or by any means, electronic or mechanical, including photocopying, recording, or by any information storage and retrieval system, without the prior written consent of Morgan Olson.

**MORGAN OLSON**

GENERAL STANDARDS UNLESS OTHERWISE NOTED:  
1. DIMENSIONS: UNLESS OTHERWISE SPECIFIED, ALL DIMENSIONS ARE IN INCHES AND DECIMALS THEREOF.  
2. FINISH: UNLESS OTHERWISE SPECIFIED, ALL DIMENSIONS ARE TO BE TO THE CLOSEST FRACTIONAL PART.  
3. DIMENSIONS TO UNLESS OTHERWISE SPECIFIED.  
4. DIMENSIONS TO UNLESS OTHERWISE SPECIFIED.  
5. DIMENSIONS TO UNLESS OTHERWISE SPECIFIED.

HARNESS AND LOOM TOLERANCES:  
UP TO 60" : -0/+2"  
60" TO 100" : -0/+4"  
100" TO 200" : -0/+5"  
200" TO 400" : -0/+6"  
400" TO 600" : -0/+7"  
OVER 600" : -0/+8"  
60 TO 80 : -0/+2"

LENGTHS APPLY FROM BREAKOUT TO BREAKOUT OR BREAKOUT TO WIRE ENTRY POINT OR CONN. FOR OR END OF COVER.

DATE: 17OCT13  
DRAWN: ALL  
DATE: 41952  
DO NOT SCALE  
NAME: HARN BAT POS 2GA BREAKER 24"  
DRAWING NO.: 132088206  
SHT: 1 OF 1  
REV: REL

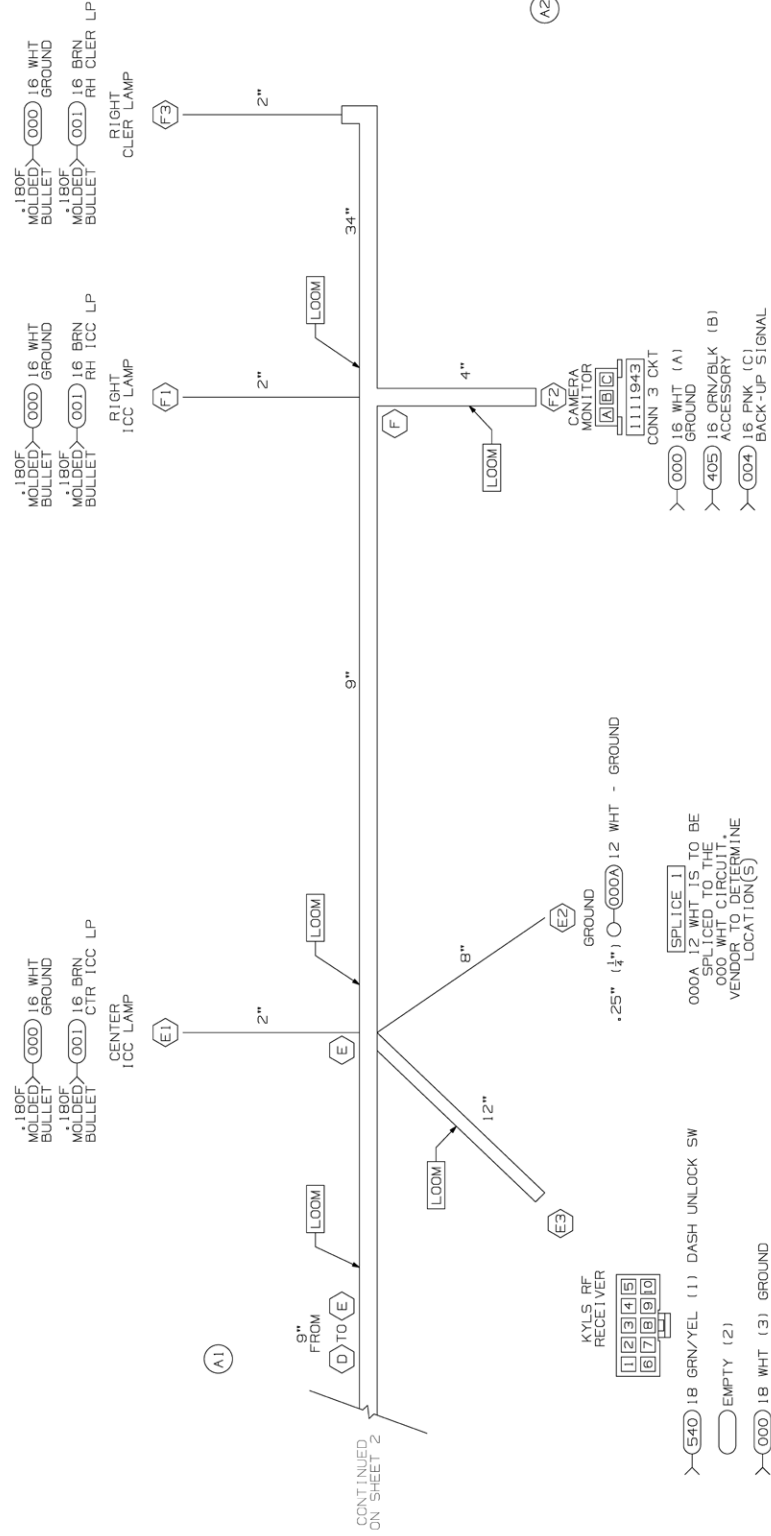
This catalog is for pilot vehicles only

This catalog is for pilot vehicles only

This catalog is for pilot vehicles only

This catalog is for pilot vehicles only

DRAWING NO.	REV	SHT
150091201	REL	1 of 2
DESCRIPTION	BY	DATE
RELEASE FOR PRODUCTION		



10. VENDOR TO GREASE FEMALE BULLET TERMINALS.
9. THIS IS A PURCHASED PART. NO STOCK OF MATERIAL EXISTS.
8. VENDOR MAY REPLACE PARTS WITH WIRING TO DIFFERENT CONNECTORS. PARTS SHOWN IN TERMINAL VIEW.
7. HARNESS TO BE TESTED FOR CONTINUITY, SHORTS, AND CONTINUITY.
6. CONNECTORS SHOWN FROM FRONT VIEW, UNLESS OTHERWISE NOTED.
5. SPLICES TO BE AUTOMATED WITH SOLDER, AND ADHESIVE LINED HEAT SHRINK TUBING.
4. TAPE [1111098]: 6" AT BREAKOUTS, 2" AT 18" INTERVALS, FOR UNINTERRUPTED LOOM LENGTHS GREATER THAN 24", AND 2" AT LOOM ENDS.
3. HARNESS TO HAVE A LABEL SHOWING MORGAN OLSON PART NUMBER, REVISION MANUFACTURE.
2. SPLIT POLY LOOM UNLESS OTHERWISE NOTED.
1. SXL WIRE.

NOTES:

- > (540) 18 GRN/YEL (1) DASH UNLOCK SW
- > ( ) EMPTY (8)
- > (000) 18 WHT (3) GROUND
- > (502) 18 RED/WHT (4) KEYLESS BATTERY
- > (502) 14 RED/WHT (5) KEYLESS BATTERY
- > (520) 16 GRN/BLK (6) CS SOLENOID
- > (523) 16 PNK/BLK (7) RS SOLENOID
- > ( ) EMPTY (8)
- > ( ) EMPTY (9)
- > (502) 14 RED/WHT (10) KEYLESS BATTERY

SPLICE 1  
000A 12 WHT IS TO BE SPLICED TO THE 000 WHT CIRCUIT. VENDOR TO DETERMINE LOCATION(S)

HARNESS AND LOOM TOLERANCES  
 UP TO 60" = -0/+2"  
 60" TO 100" = -0/+4"  
 100" TO 200" = -0/+5"  
 200" TO 400" = -0/+8"  
 400" TO 600" = -0/+7"  
 OVER 600" = -0/+8"  
 80 TO 60 = -0/+2"

LENGTHS APPLY FROM BREAKOUT TO BREAKOUT, OR BREAKOUT TO WIRE ENTRY POINT OF COVER, TOP, OR END OF COVER.

**MORGAN OLSON**

GENERAL STANDARD VALUES (UNLESS OTHERWISE NOTED)  
 1. WIRE GAUGE: 18 AWG  
 2. WIRE COLOR: 18 GRN/BLK  
 3. WIRE TYPE: SXL  
 4. WIRE LENGTH: 100 INCHES  
 5. WIRE PART NUMBER: 18 GRN/BLK (6)  
 6. WIRE DATE: 12AUG15  
 7. WIRE REVISION: 45755  
 8. WIRE MANUFACTURE: 12AUG15

DO NOT SCALE

HARN RFD NO RSF 2009 M-100

DRAWING NO. 150091201

SHT 1 of 2

REL

This catalog is for pilot vehicles only

This catalog is for pilot vehicles only

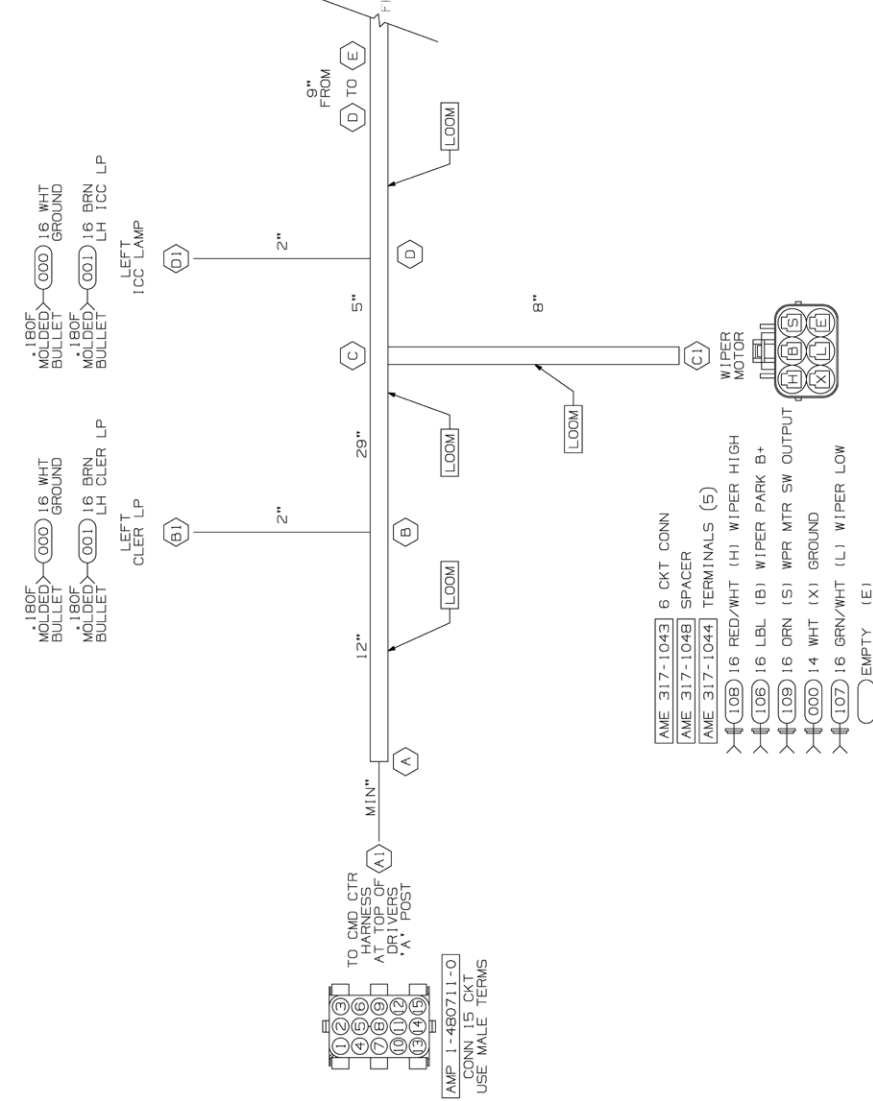
DRAWING NO.	REV	SHT
150091201	REL	2 of 2
DESCRIPTION	BY	DATE
RELEASE FOR PRODUCTION		

CIRCUIT	GA/COLOR	END POINTS	FUNCTION
109	16 GRN	A1,E1	WIPER PK SWITCH OUTPUT
405	16 GRN/BLK	A1,F2	ACCY POWER
502	14,16,18 RED/WHT	A1,E3	KEYLESS BATTERY
520	16 BRN/BLK	A1,E3	CS SOLENOID
523	16 PNK/BLK	A1,E3	RS SOLENOID
540	16 GRN/YEL	A1,E3	DASH UNLOCK SW

CIRCUIT	GA/COLOR	END POINTS	FUNCTION
000A	12 WHT	A1,E2,SPLICE 1	GROUND
000	14/16 WHT	B1,C1,D1,E1,F1,F2,F3,SPLICE 1	GROUND
001	16 BRN	A1,B1,C1,D1,F1,F3	CLEARANCE/ICC LPS
004	16 PNK	A1,F2	BACK-UP SIGNAL
106	16 LBL	A1,E1	WIPER PARK SWITCH B+
107	16 GRN/WHT	A1,E1	WIPER LOW
108	16 RED/WHT	A1,E1	WIPER HIGH

SPLICE 1  
 000A 12 WHT IS TO BE SPLICED TO THE 000 WHT CIRCUIT. VENDOR TO DETERMINE LOCATION(S)

- < (000A) 12 WHT (1) GROUND
- < (001) 16 BRN (2) CLEARANCE/ICC LAMPS
- < (004) 16 PNK (3) BACK-UP SIGNAL
- < (106) 16 LBL (4) WIPER PARK SWITCH B+
- < (502) 12 RED/WHT (5) KEYLESS BATTERY
- < (107) 16 GRN/WHT (6) WIPER LOW
- < (108) 16 RED/WHT (7) WIPER HIGH
- < (520) 16 GRN/BLK (8) CS SOLENOID
- < (109) 16 GRN (9) WIPER PARK SW OUTPUT
- < (523) 16 PNK/BLK (10) RS SOLENOID
- < ( ) EMPTY (11)
- < (540) 18 GRN/YEL (12) DASH UNLOCK SW
- < ( ) EMPTY (13)
- < ( ) EMPTY (14)
- < (405) 16 GRN/BLK (15) ACCESSORY



- > (106) 16 RED/WHT (H) WIPER HIGH
- > (106) 16 LBL (B) WIPER PARK B+
- > (109) 16 GRN (S) WPR MTR SW OUTPUT
- > (000) 14 WHT (X) GROUND
- > (107) 16 GRN/WHT (L) WIPER LOW
- > ( ) EMPTY (E)

**MORGAN OLSON**

GENERAL STANDARD VALUES (UNLESS OTHERWISE NOTED)  
 1. WIRE GAUGE: 18 AWG  
 2. WIRE COLOR: 18 GRN/BLK  
 3. WIRE TYPE: SXL  
 4. WIRE LENGTH: 100 INCHES  
 5. WIRE PART NUMBER: 18 GRN/BLK (6)  
 6. WIRE DATE: 12AUG15  
 7. WIRE REVISION: 45755  
 8. WIRE MANUFACTURE: 12AUG15

DO NOT SCALE

HARN RFD NO USPS 2015

DRAWING NO. 150091201

SHT 2 of 2

REL











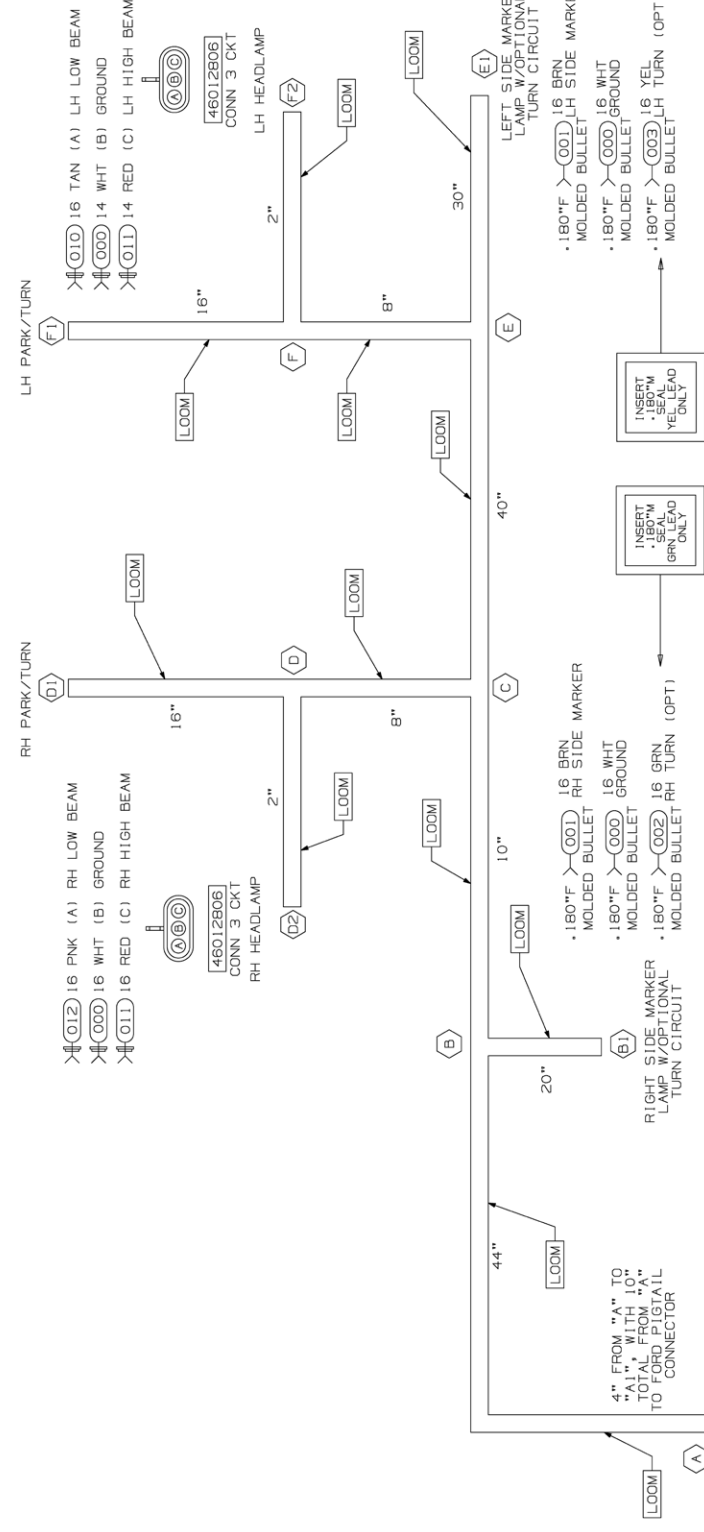


This catalog is for pilot vehicles only

This catalog is for pilot vehicles only

DRAWING NO.	REV	SHT
155085200	REL	1 of 1
DESCRIPTION	BY	DATE
RELEASE FOR PRODUCTION		

CIRCUIT	DESCRIPTION	END POINTS	FUNCTION
000	14/16 WHI	A1, B1, D1, D2, E1, F1, F2	GROUND
001	16 BRN	A1, B1, D1, E1, F1	PARK/MARKER
002	16 GRN	A1, B1, D1	RH TURN
003	16 YEL	A1, E1, F1	LH TURN
010	16 TAN	A1, F2	LH LOW BEAM
011	14/16 RED	A1, D2, F2	HIGH BEAMS (BOTH)
012	16 PNK	A1, D2	RH LOW BEAM



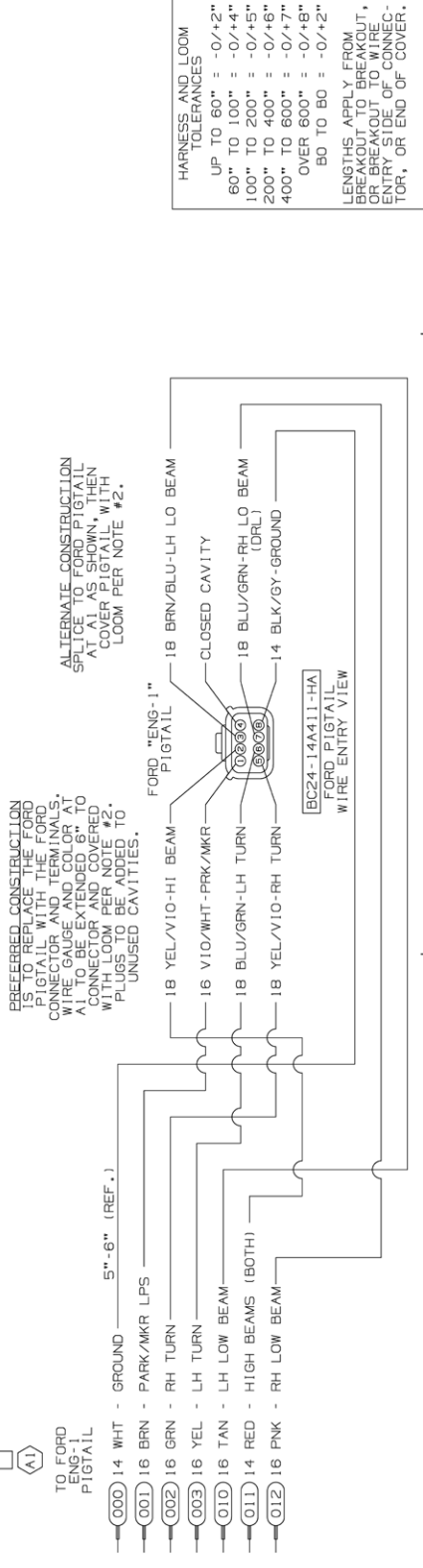
- VENDOR TO GREASE FEMALE BULLET TERMINALS.
- THIS IS A PURCHASED HARNESS. NO BILL OF MATERIAL EXISTS.
- VENDOR MAY REPLACE PIGTAILS WITH WIRING TO APPROVED MOLDED OR SHOWN IN TERMINAL VIEW.
- HARNESS TO BE TESTED FOR CONTENT OPEN, SHORTS, AND CONTINUITY.
- CONNECTORS SHOWN FROM WIRE ENTRY SIDE, UNLESS OTHERWISE NOTED.
- SPLICES TO BE AUTOMATED WITH SOLDER, AND ADHESIVE LINED HEAT SHRINK TUBING.
- TAPE [L1108E], 6" AT BENDS.
- INTERVALS FOR UNINTERRUPTED LOOM LENGTHS GREATER THAN 24", AND 2" AT LOOM ENDS.
- HARNESS TO HAVE A LABEL SHOWING MORGAN OLSON PART NUMBER, REVISION LEVEL AND DATE OF MANUFACTURE.
- SPLIT NYLON LOOM, BLACK WITH GRAY STRIPE. VENDOR MUST USE THE LISTED PRACTICAL SIZE LINES SPECIFIED ON THE DRAWING.
- SXL WIRE.

NOTES:

**PROPRIETARY**  
This drawing and the information and data contained herein are the property of Morgan Olson and may be used only for the specific application for which it was prepared. It is not to be used for any other application without the written consent of Morgan Olson.

**MORGAN OLSON**

GENERAL STANDARDS UNLESS OTHERWISE NOTED:  
1. DIMENSIONS ARE IN INCHES UNLESS OTHERWISE SPECIFIED.  
2. DIMENSIONS ARE TO CENTER UNLESS OTHERWISE SPECIFIED.  
3. DIMENSIONS ARE TO DIMENSION LINES UNLESS OTHERWISE SPECIFIED.  
4. DIMENSIONS ARE TO DIMENSION LINES UNLESS OTHERWISE SPECIFIED.  
5. DIMENSIONS ARE TO DIMENSION LINES UNLESS OTHERWISE SPECIFIED.  
6. DIMENSIONS ARE TO DIMENSION LINES UNLESS OTHERWISE SPECIFIED.  
7. DIMENSIONS ARE TO DIMENSION LINES UNLESS OTHERWISE SPECIFIED.  
8. DIMENSIONS ARE TO DIMENSION LINES UNLESS OTHERWISE SPECIFIED.  
9. DIMENSIONS ARE TO DIMENSION LINES UNLESS OTHERWISE SPECIFIED.  
10. DIMENSIONS ARE TO DIMENSION LINES UNLESS OTHERWISE SPECIFIED.



**PREFERRED CONSTRUCTION**  
IS TO REPLACE THE FORD PIGTAIL WITH THE FORD CONNECTOR AND TERMINALS. CONNECTOR AND COVERED WITH LOOM PER NOTE #2. UNUSED CAVITIES, PLUS TO BE EXTENDED 6" TO ALL AS SHOWN, THEN COVER PIGTAIL WITH LOOM PER NOTE #2.

**ALTERNATE CONSTRUCTION**  
SPLICE TO FORD PIGTAIL AT ALL AS SHOWN, THEN COVER PIGTAIL WITH LOOM PER NOTE #2.

**HARNESS AND LOOM TOLERANCES**  
UP TO 60" = -0/+2"  
60" TO 100" = -0/+4"  
100" TO 200" = -0/+5"  
200" TO 400" = -0/+6"  
400" TO 600" = -0/+7"  
OVER 600" = -0/+8"  
60 TO 60 = -0/+2"

LENGTHS APPLY FROM BREAKOUT TO BREAKOUT, OR BREAKOUT TO WIRE ENTRY POINT OF COVER, TOP, OR END OF COVER.

TO FORD ENG-1 PIGTAIL  
000 14 WHI - GROUND - 5"-6" (REF.)  
001 16 BRN - PARK/MKR LPS  
002 16 GRN - RH TURN  
003 16 YEL - LH TURN  
010 16 TAN - LH LOW BEAM  
011 14 RED - HIGH BEAMS (BOTH)  
012 16 PNK - RH LOW BEAM

BC24-14A411-HA  
FORD PIGTAIL  
WIRE ENTRY VIEW

Blank

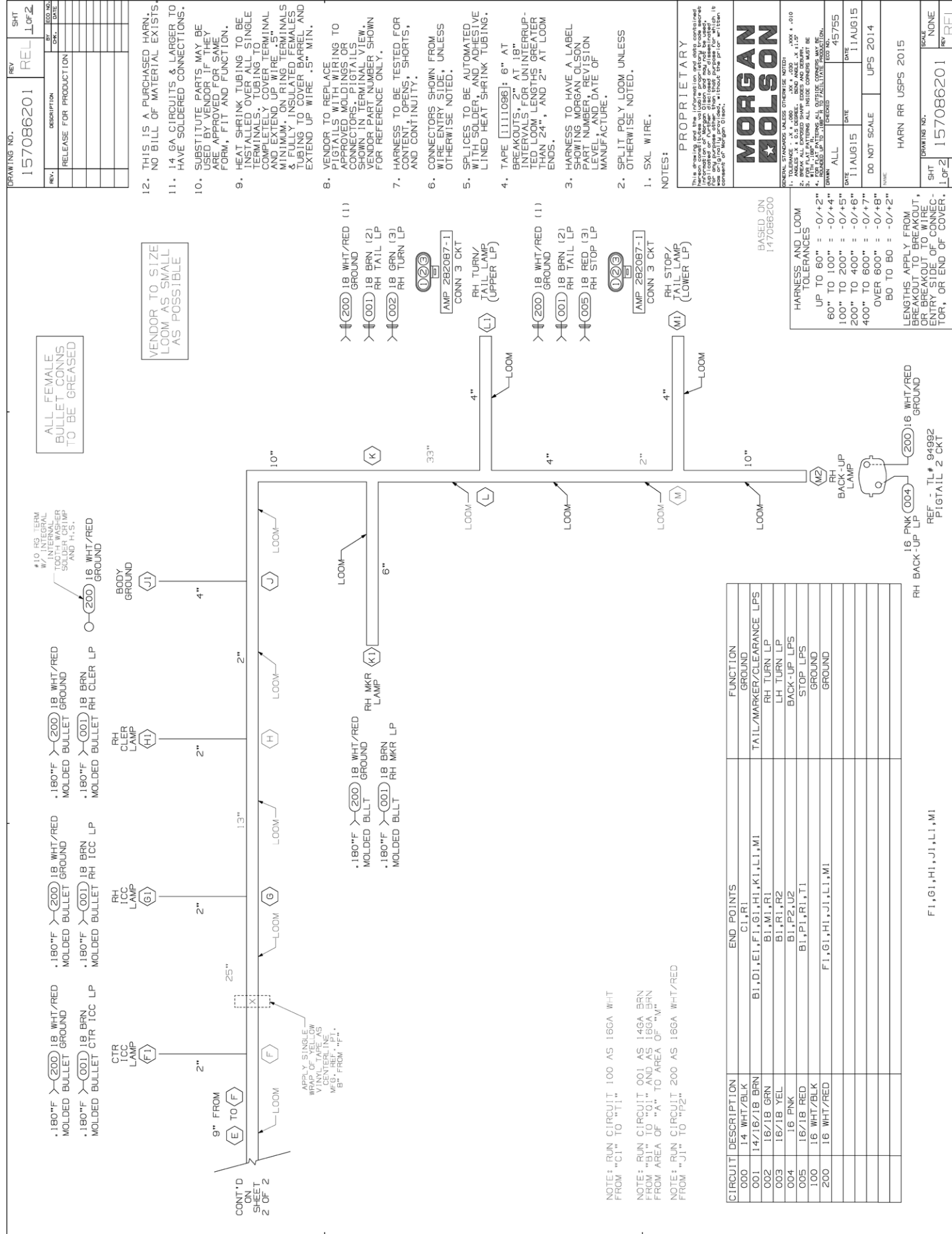
This catalog is for pilot vehicles only

This catalog is for pilot vehicles only



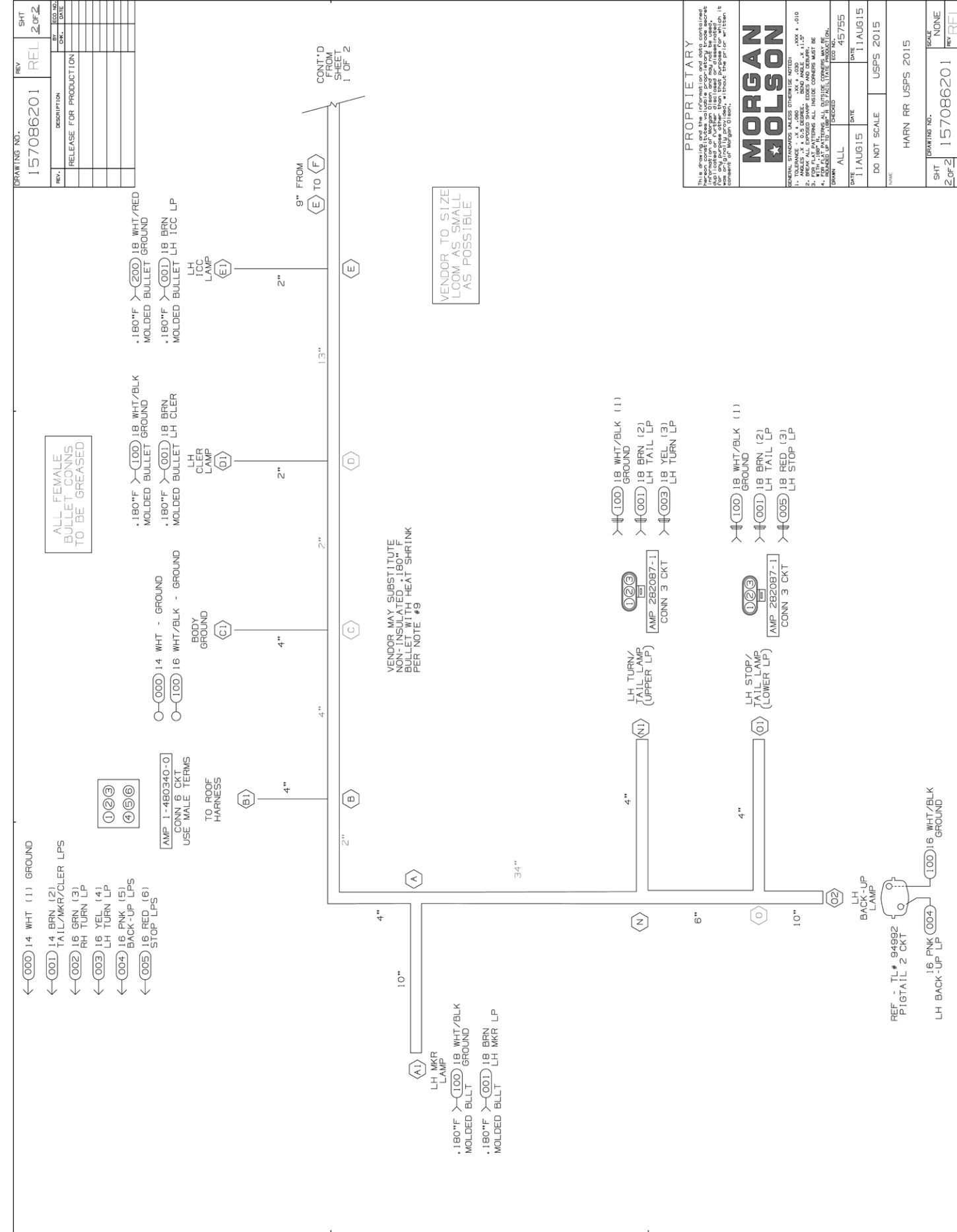
This catalog is for pilot vehicles only

This catalog is for pilot vehicles only



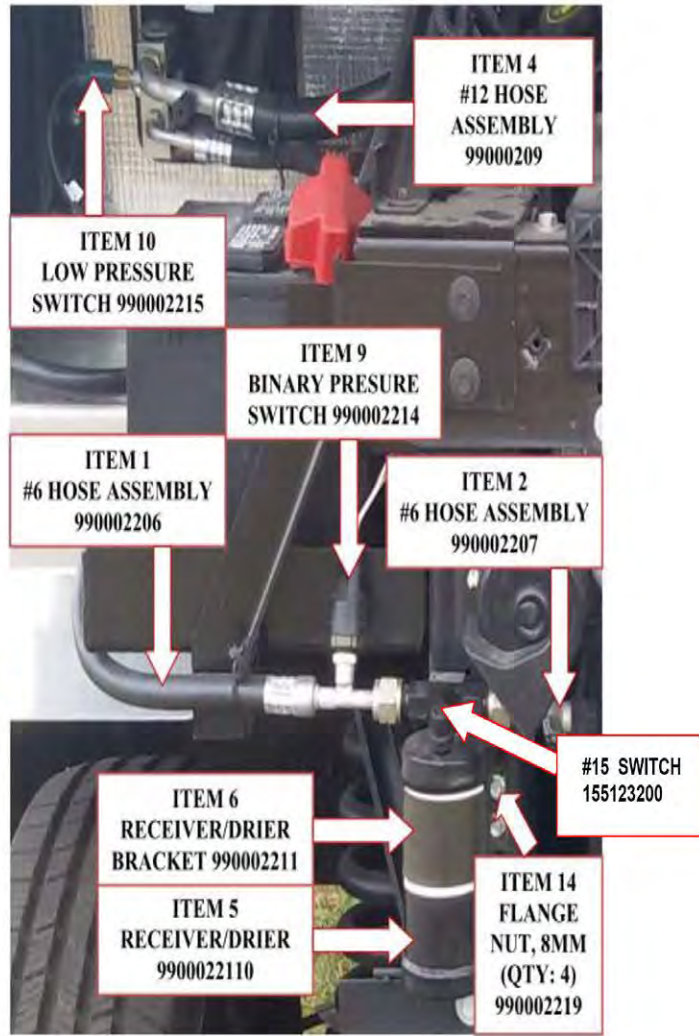
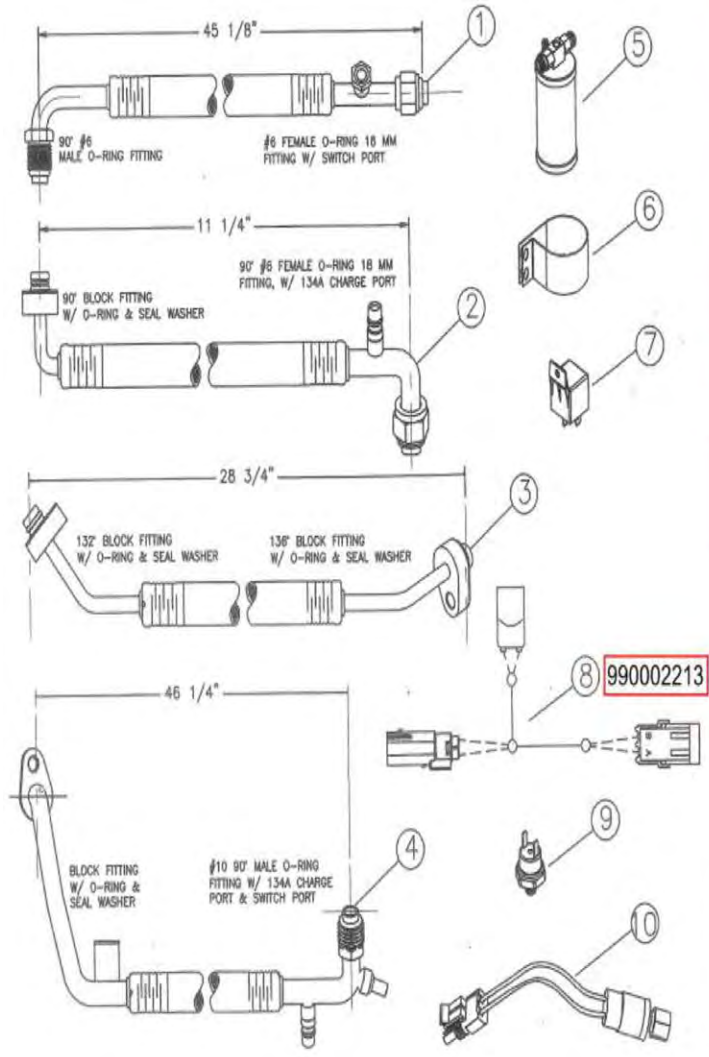
This catalog is for pilot vehicles only

This catalog is for pilot vehicles only



This catalog is for pilot vehicles only

This catalog is for pilot vehicles only



This catalog is for pilot vehicles only

This catalog is for pilot vehicles only