

Star Ledger

PARTS CATALOG

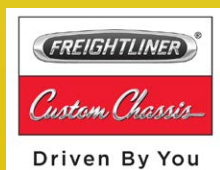
Published August 2014



2014 Morgan Olson Body
2014 Freightliner Chassis

1.800.233.4823

WWW.MORGANOLSON.COM



INTRODUCTION	3
CAB & ENGINE BOX	4
STEPS	5
WINDSHIELD	6
INSTRUMENT PANEL	7
HOOD	8-9
SEATS	10
FLOOR	11
SIDES	12-13
ROOF	14
REAR	15
BULKHEAD	16
SIDE DOOR	17
SIDE DOOR CARGO AREA	18
SIDE DOOR CARGO AREA LOCKS	19
SIDE DOOR POCKET	20-21
ROLL UP DOOR (RUD)	22-25
CARGO INTERIOR	26
BUMPERS	27
MIRRORS & WINDSHEILD WIPERS	28
HEATER	29-31
ELECTRICAL	32-33
MISCELLANEOUS	34-36

This parts guide contains illustrations and part numbers for STAR LEDGER Delivery Vehicle Package Cars and applies to bill of material # CV102178 produced in 2013-2014.

This book has been divided into chapters. Each chapter has illustrations with part numbers and descriptions. When possible, each part is pointed out to help identify it. Orientation references are from the rear of the vehicle facing forward. LH (LEFT HAND) is roadside and RH (RIGHT HAND) is curbside.

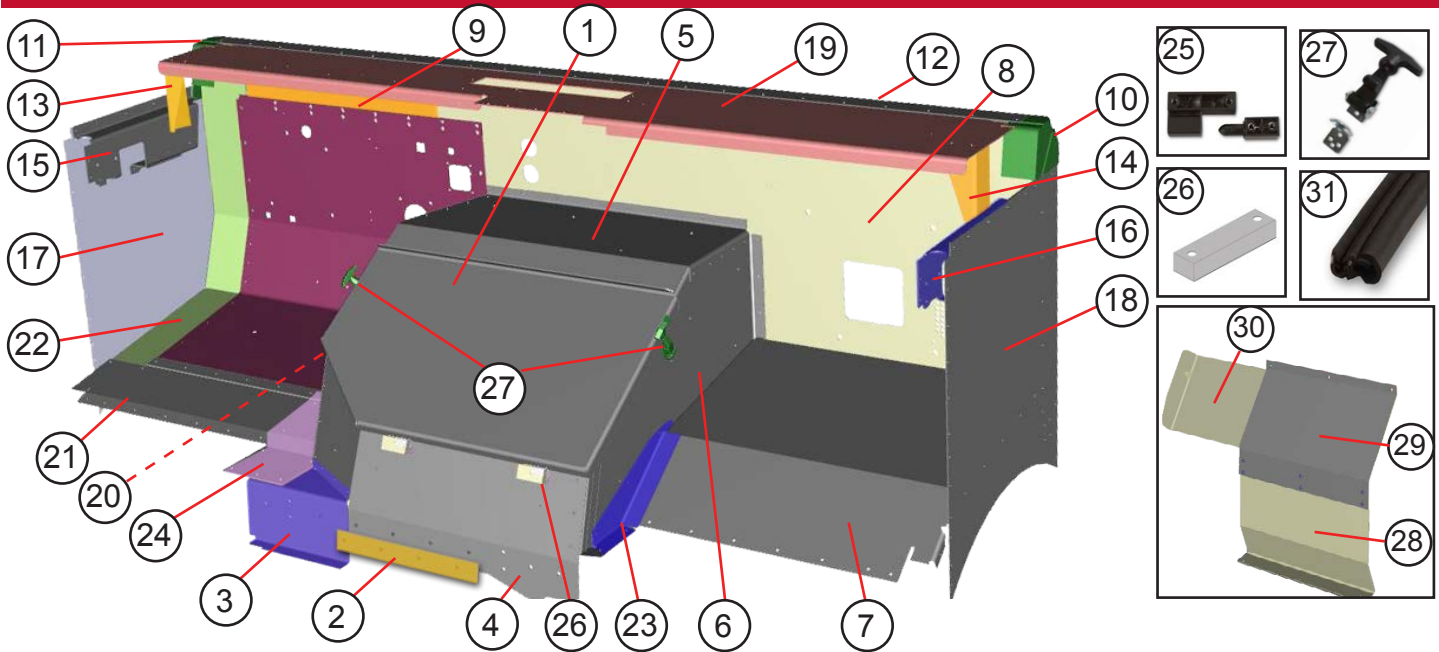
Procedure to Order Parts

1. Depending on the part desired, turn to the appropriate section.
2. Locate the desired part on the Illustration Page(s) and note it's part number.
3. Contact a Morgan Olson Service Parts Representative. Have part numbers readily available.
4. When placing orders, specify vehicle VIN number.

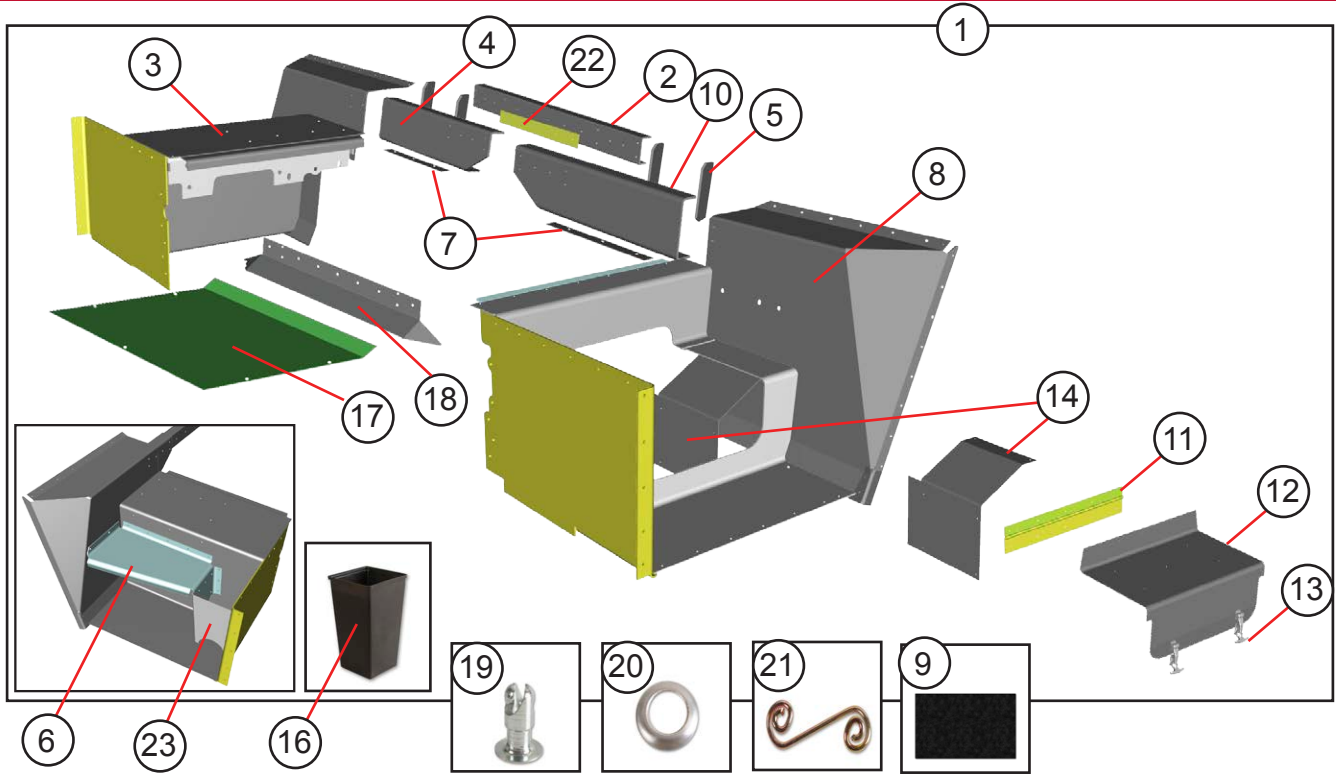
FOR WARRANTY INFORMATION CALL 1-800-262-3437

ANY QUESTIONS OR CONCERNS SHOULD BE DIRECTED TO YOUR SERVICE
PARTS REPRESENTATIVE AT
1-800-233-4823

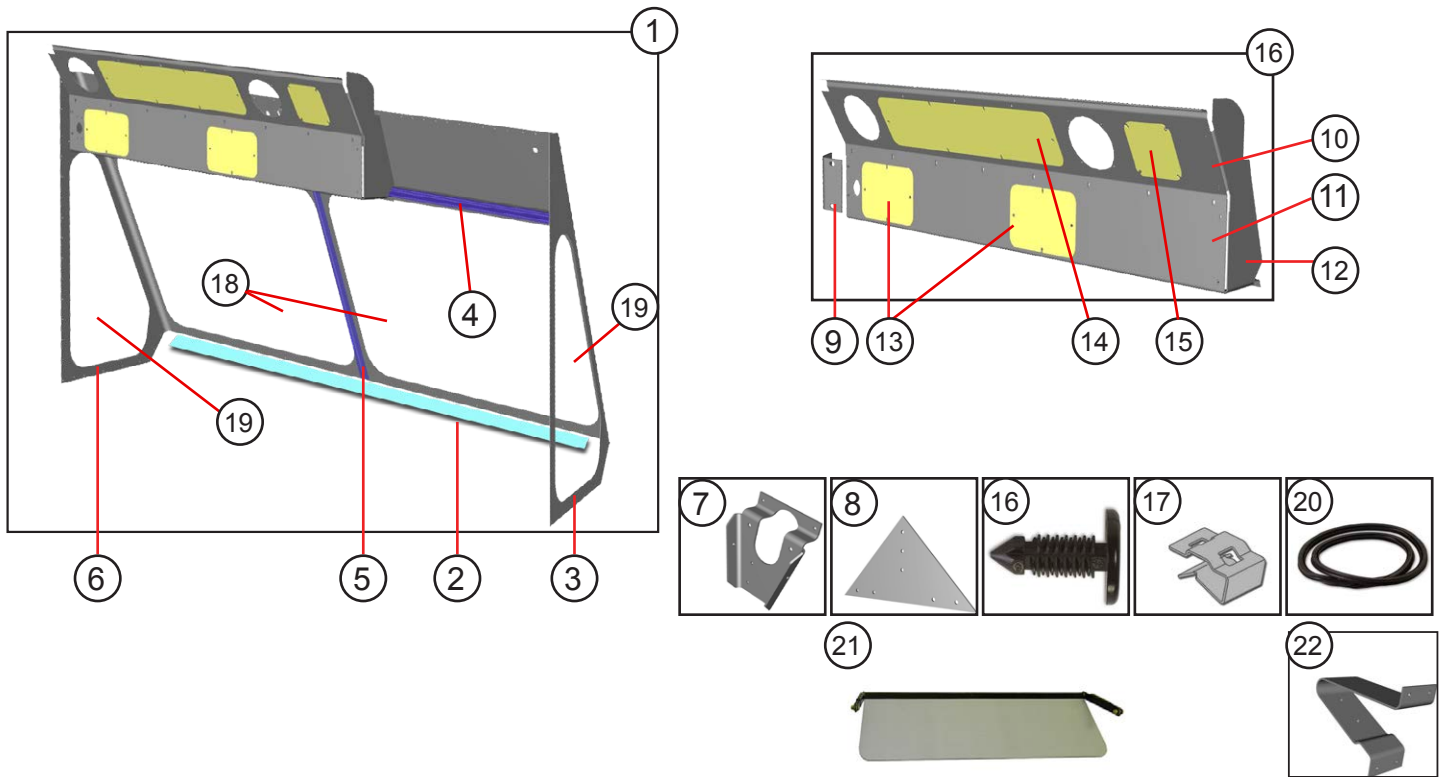
At Morgan Olson, our quest for quality and safety is ongoing and therefore the specifications on the product described herein may vary over time. Please contact Morgan Olson for the latest product information and available safety features and options.



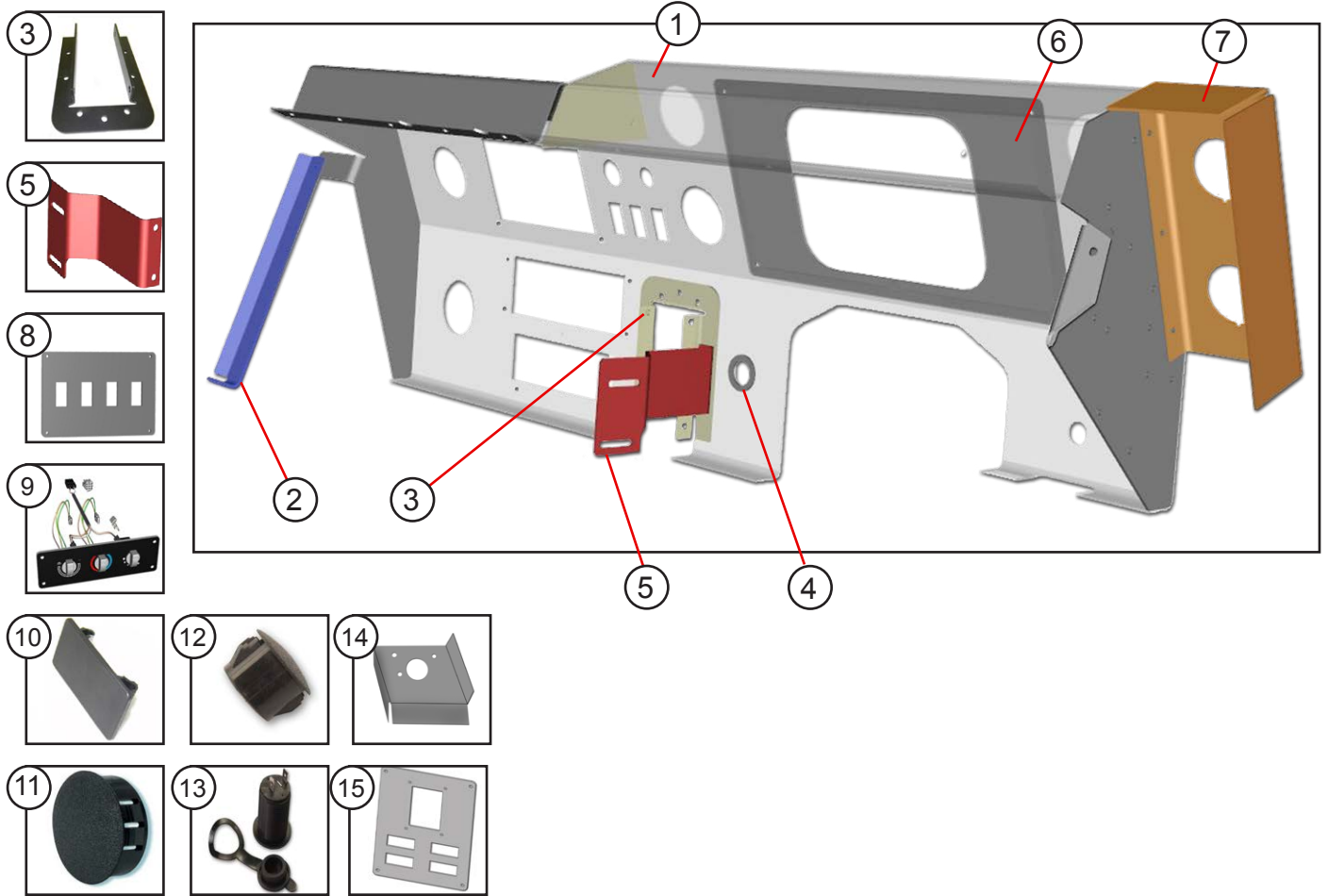
ITEM #	PART #	DESCRIPTION	QTY.	UNIT
1	098028402	LID ENGINE BOX AL.102X20.15X34.23	1	EA
2	077050402	SHIM AL .25X1.62X20.8	1	EA
3	077050411	FILLER SADDLE AL.125X11.79X14.49	1	EA
4	098005502	ENGINE BOX SADDLE AL.125X19.69X32.66	1	EA
5	098005400	ENGINE BOX TOP AL.125X15.86X32.75	1	EA
6	098005501	ENGINE BOX HOUSING AL.102X20.85X32.55 CURBSIDE	1	EA
7	098005462	DASH PANEL AL.102X29.44X28	1	EA
8	098005472	DASH WALL AL .125X25.89X62.92	1	EA
9	077050408	DASH WALL AL .125X8.84X27.25	1	EA
10	8502001	CORNER AL CAST W/S CURBSIDE	1	EA
11	8502000	CORNER AL CAST W/S ROADSIDE	1	EA
12	083023402	RAIL WINDSHIELD 93W AL 851100X89	1	EA
13	083005418	SUPPORT RAIL W/S AL.102X5.74X8.27 ROADSIDE	1	EA
14	083005419	SUPPORT RAIL W/S AL.102X5.74X8.27 CURBSIDE	1	EA
15	077050400	STIFFENER W/S AL.125X10.93X17.81 ROADSIDE	1	EA
16	077050401	STIFFENER W/S AL.125X10.93X17.81 CURBSIDE	1	EA
17	093005420	CAB SKIRT AL.070X27.28X30.57 ROADSIDE	1	EA
18	093005440	CAB SKIRT AL.070X27.28X30.57 CURBSIDE	1	EA
19	093005512	SHELF DASH AL.125X13.74X89	1	EA
20	098005503	ENGINE BOX SIDE AL.102X21.24X27.96 ROADSIDE	1	EA
21	077050423	TOEBOARD AL.125X8.7X33.53 ROADSIDE	1	EA
22	077050419	TOEBOARD DA AL .125X7.62X42.1 ROADSIDE	1	EA
23	077050406	GUSSET TOEBOARD AL .125X5.33X14.88 CURBSIDE	1	EA
24	077050446	PLATE SCUFF HEEL ALD .125X7X13.38	1	EA
25	47007859	HINGE OFFSET	2	EA
26	117028400	SHIM ENGINE BOX HINGE	1	EA
27	1113336	LATCH	2	EA
28	148080400	GUARD HEATER LOWER AL.102X16.63X19.5	1	EA
29	148080401	GUARD HEATER UPPER AL.102X15.3X19.5	1	EA
30	148080402	GUARD HEATER AL.102X10.4X16.63	1	EA
31	1107270	SEAL TR SCHLEG1426-X999	8	FT



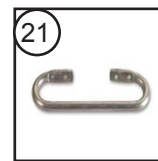
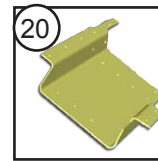
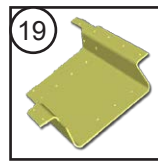
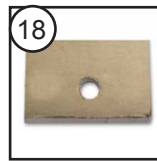
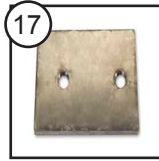
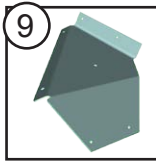
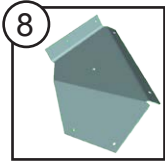
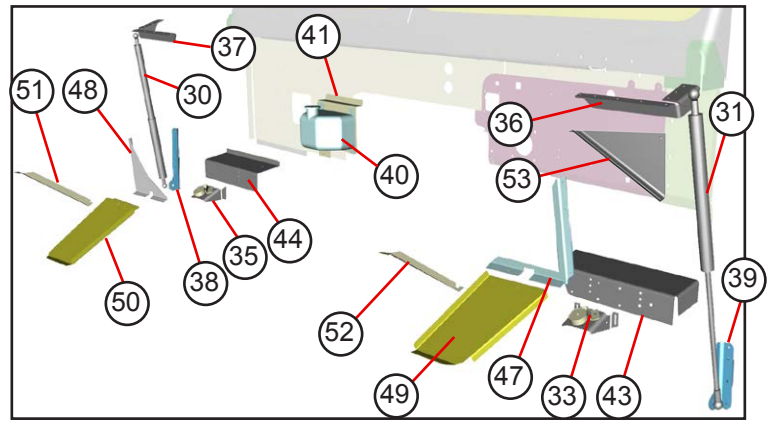
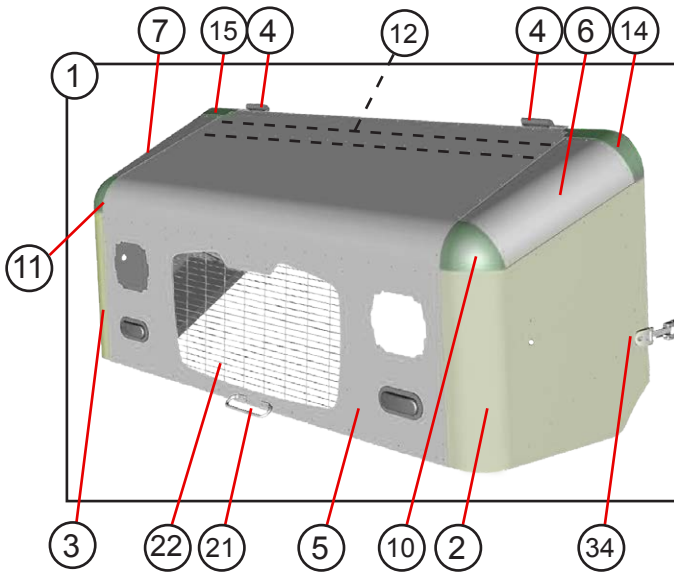
ITEM #	PART #	DESCRIPTION	QTY.	UNIT
1	148024001	STEP INSTALLATION CAB 93W MT55 2DR	1	EA
2	077240400	CROSSMEMBER CENTER AL 456106X41	1	EA
3	088024243	STEP ASSEMBLY ROADSIDE	1	EA
4	083024464	CHANNEL CROSSMEMBER AL 456109X27LH	1	EA
5	077240438	GUSSET AL .25X2.25X5.63	4	EA
6	077240468	STEP MID ALD.125X13.61X26.19 ROADSIDE	1	EA
7	088024417	SHIM OUTRIGGER AL .125XX1.75X18.6	2	EA
8	148024200	STEP ASSEMBLY CURBSIDE	1	EA
9	148024404	PAD DAMPENING 45200007X9X16.5	1	EA
10	083024465	CHANNEL CROSSMEMBER AL 456109X27RH	1	EA
11	148024400	HINGE AL.075X1.12X1.75X17.5	1	EA
12	148024401	LID BATTERY ALD.125X18.75X24.82	1	EA
13	1113334	LATCH STEP	2	EA
14	148024417	SPLASH PAN BATTERY BOX AL.102X11X16.13	1	EA
NS	148024418	VINYL .125X5X20	1	EA
16	45200051	TRASH BIN	1	EA
17	077024200	TRANVERSE WELDMENT	1	EA
18	077024402	ANGLE FLOOR TRANVERSE	1	EA
19	40900080	STUD	6	EA
20	40900081	GROMMET HALF	6	EA
21	40900082	SPRING	6	EA
22	077050402	SHIM (BETWEEN SADDLE AND TRANVERSE ANGLE)	1	EA
23	077240433	BRACKET TRASH	1	EA



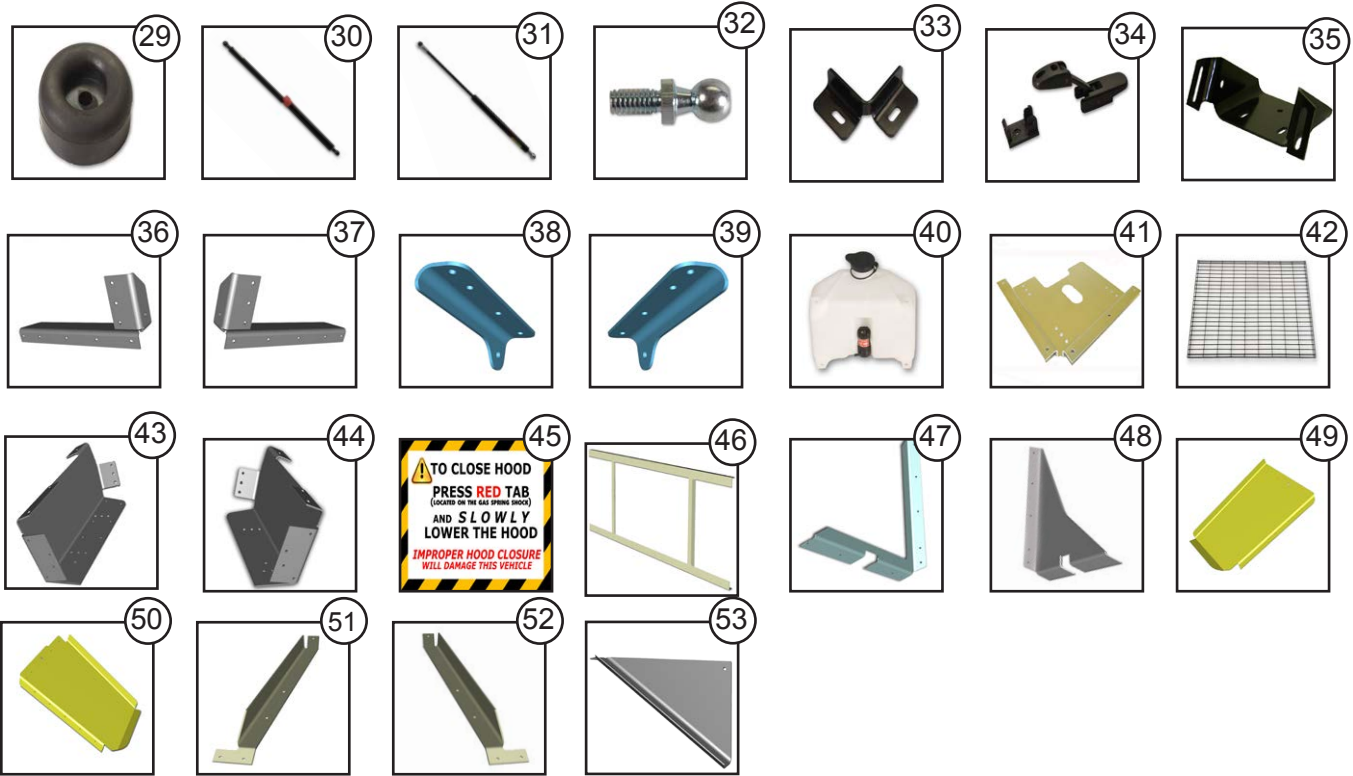
ITEM #	PART #	DESCRIPTION	QTY.	UNIT
1	088055204	WINDSHIELD ASSEMBLY 85H93W NO VENT	1	EA
2	083023402	WINDSHIELD RAIL (SEE PAGE 4 ITEM 12)	1	EA
3	088055406	FRAME W/S AL .102X53.45X70.25 CURBSIDE	1	EA
4	077055404	STIFFENER W/S AL 450540X44.25	2	EA
5	077055401	POST W/S CENTER AL 450540X44.84	1	EA
6	088055405	FRAME WINDSHEILD ROADSIDE	1	EA
7	077055402	GUSSET FRAME W/S AL .125X6.49X7.27	1	EA
8	998555329	GUSSET FRAME W/S AL .125X4.6X9.19	1	EA
9	088076449	BRACKET, MOUNTING	1	EA
10	097076488	COVER WIPER MOTOR UPPER	1	EA
11	097076476	SHELF LOWER	1	EA
12	097076461	COVER WIPER CURBSIDE	1	EA
13	097076436	PLATE COVER	2	EA
14	097076435	PLATE COVER	1	EA
15	097076437	PLATE COVER	1	EA
16	47006610	CLIP PUSH IN .45HEADX.64	52	EA
17	46021115	CLIP LARGE BODY PAN	1	EA
18	96756400	GLASS WINDSHIELD	2	EA
19	006756400	GLASS SIDE TRIANGLE	2	EA
20	44004303	WEATHER STRIPPING LS-1660 X147.5	2	EA
20	44004309	WEATHER STRIPPING LS-1660 X86.25	2	EA
21	47005504	SUN VISOR	2	EA
22	090061400	BRACKET SUN VISOR CURBSIDE	1	EA
NS	1109001	INSULATION FIBERGLASS 1X48X7.25FT	1	FT
NS	118011402	LINER ROOF CAB 452100X37.12X86.75	1	EA
NS	100011400	POLYESTER FILL ROOF LINER 4X22.5	1	EA



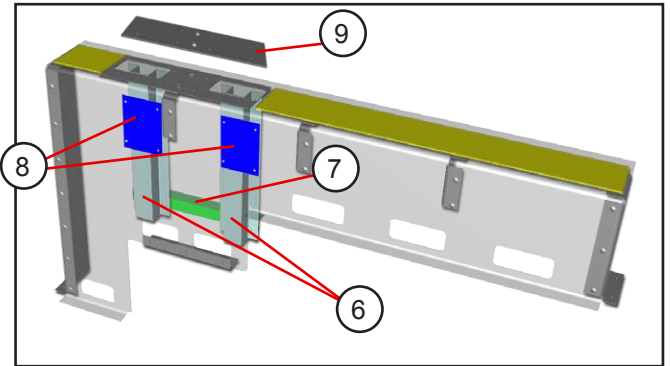
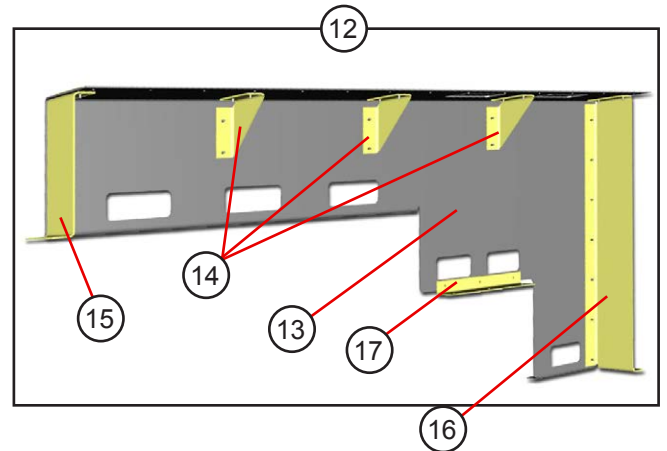
ITEM #	PART #	DESCRIPTION	QTY.	UNIT
1	088027200	INSTRUMENT PANEL WELDMENT	1	EA
2	093027402	BRACKET STIFFENER AL .125X1.91X12.66	1	EA
3	002027423	BRACKET SHIFTER STL 11GAX4.87X6.43	2	EA
4	006327202	SPACER IGNITION SWITCH	1	EA
5	107027403	BRACE INSTRUMENT PANEL	1	EA
6	098027402	PLATE ADAPTOR	1	EA
7	109084400	BRACKET AIR GUAGE AL.102X8.07X12.03	1	EA
8	098027405	PLATE COVER I/P AL.102X4.98X8.25	1	EA
9	555001413	PANEL CONTROL HEATER (SEE PAGE 27)	1	EA
10	46023506	PLUG HOLE ROCKER SWITCH BLACK	3	EA
11	44000117	PLUG HOLE BLACK 1.125" MOUNTING HOLE	1	EA
12	1111513	PLUG HOLE BLACK .875" MOUNTING HOLE	1	EA
13	46026378	RECEPTICLE 12V POWER W/TETHER SS BODY	1	EA
14	04M221022	BRACKET PARKING AIR BRAKE	1	EA
15	083027405	PLATE COVER I/P (AUX HEATER OPTION) AL.07X4.98X8.25	1	EA



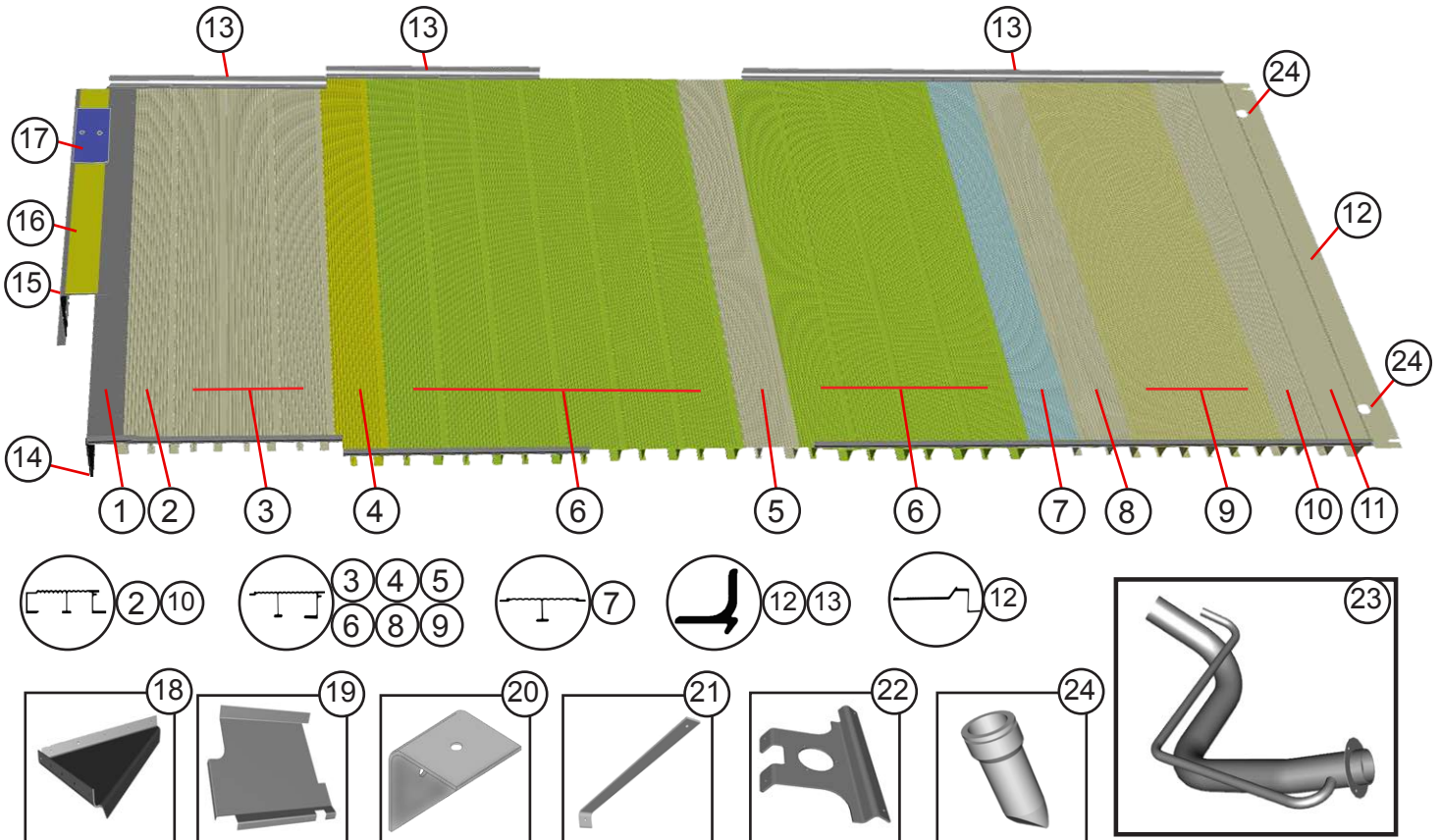
ITEM #	PART #	DESCRIPTION	QTY.	UNIT
1	108017202	HOOD ASSEMBLY	1	EA
2	088017414	HOOD SKIRT AL .07X30.78X33.11 ROADSIDE	1	EA
3	088017415	HOOD SKIRT AL .07X30.78X33.11 CURBSIDE	1	EA
4	47007852	HINGE ASSEMBLY	2	EA
5	108017401	PANEL HOOD FCC AL.07X53.36X72	1	EA
6	088017416	COWL HOOD ROADSIDE AL .07X15.91X22.28	1	EA
7	088017417	COWL HOOD CURBSIDE AL .07X15.91X22.28	1	EA
8	95817312	GUSSET CORNER ROADSIDE AL .07X13.52X14.72	1	EA
9	95817313	GUSSET CORNER CURBSIDE AL .07X13.52X14.72	1	EA
10	45100057	CORNER CAST KNEE COWL FRONT ROADSIDE	1	EA
11	45100058	CORNER CAST KNEE COWL FRONT CURBSIDE	1	EA
12	088017420	STIFFENER HOOD AL 450015X68.62	1	EA
13	45001500	BRACKET HOOD AL HD X69.77	1	EA
14	45100060	CAP COWL END ROADSIDE	1	EA
15	45100061	CAP COWL END CURBSIDE	1	EA
46	088017255	SUPPORT ASSEMBLY GRILL	1	EA
17	91617304	PLATE TAP	2	EA
18	96717312	SHIM	2	EA
19	115017403	STIFFENER HOOD ROADSIDE	1	EA
20	115017404	STIFFENER HOOD CURBSIDE	1	EA
21	90187300	GRAB HANDLE	1	EA
22	45700101	MESH GRILLE	1	EA
NS	088017423	ANGLE SUPPORT GRILLE 450186X69.62	1	EA
NS	088017421	SUPPORT GRILLE ANGLE 450180X22.8	2	EA
NS	088017441	ANGLE HORZ 450186X69.62	1	EA
NS	44004077	SEAL TAPE #1458BTXFT	4.42	FT



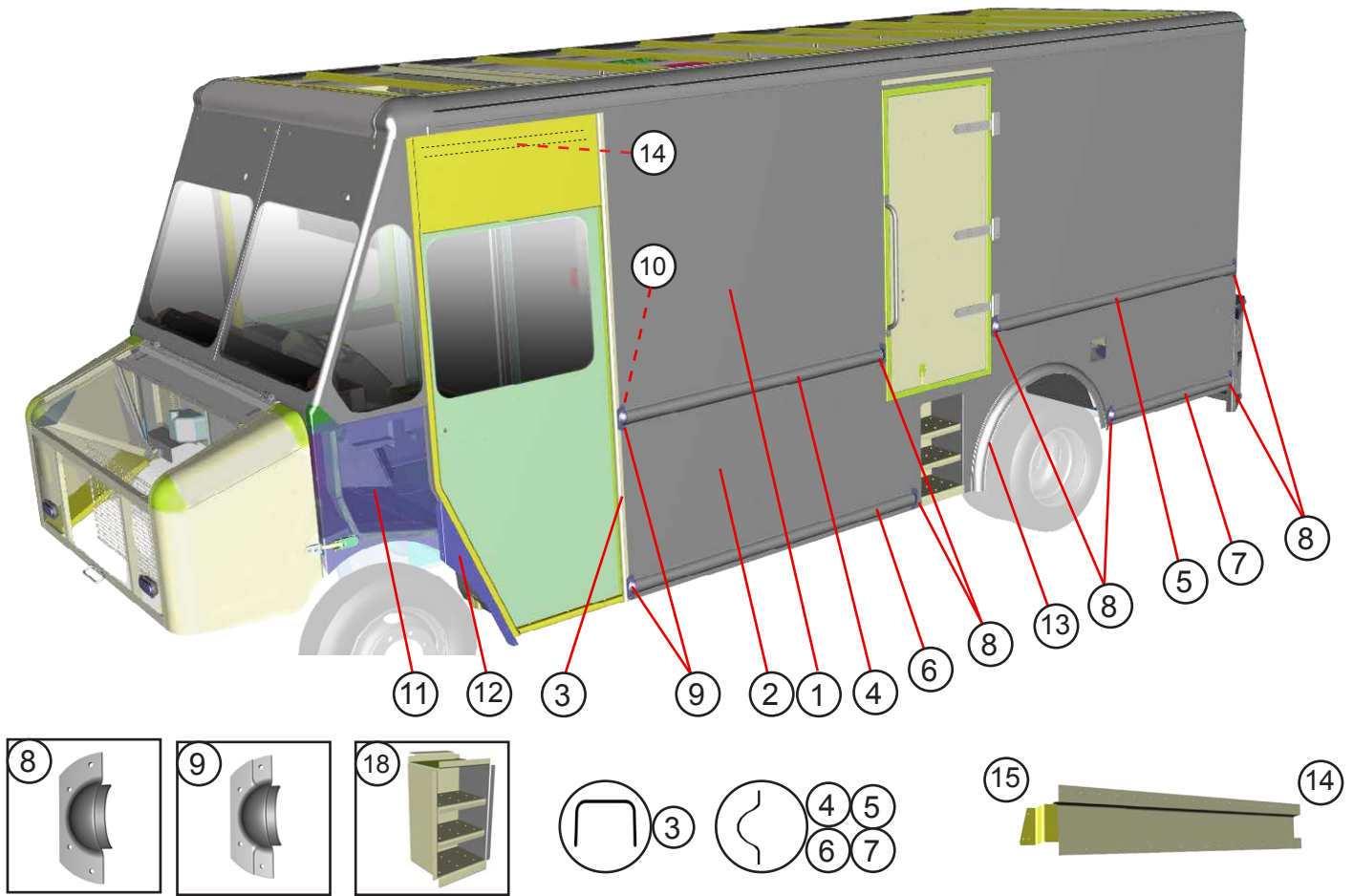
ITEM #	PART #	DESCRIPTION	QTY.	UNIT
29	44002004	BUMPER RUBBER HOOD REST	2	EA
30	47006116	GAS SPRING WITH LOCK 140LB 20/12 IGS	1	EA
31	47006117	GAS SPRING WITH OUT LOCK 140LB 20/12 IGS	1	EA
32	40900019	STUD BALL SUSPENSION	4	EA
33	96713300	STOP ANGLE HOOD REST	2	EA
34	47000613	HOOD LATCH	2	EA
35	077150400	BRACKET HOOD REST	2	EA
36	124016401	BRACKET GAS SPRING AL.125X3.6X16.48 ROADSIDE	1	EA
37	124016402	BRACKET GAS SPRING AL.125X3.6X16.48 CURBSIDE	1	EA
38	124016403	BRACKET HOOD LOWER AL.188X2.85X6.4 CURBSIDE	1	EA
39	124016404	BRACKET HOOD LOWER AL.188X2.85X6.4 ROADSIDE	1	EA
40	47004137	WASHER BOTTLE WITH PUMP	1	EA
41	003705413	WASHER BOTTLE MOUNTING PLATE	1	EA
42	45700101	MESH GRILL	1	EA
43	077260400	SPLASH PAN ROADSIDE	1	EA
44	077260404	SPLASH PAN CURBSIDE	1	EA
45	43000903	HOOD PROPER INSTRUCTIONS LABEL	1	EA
47	088017433	SUPPORT SPLASH PAN AL .102X16.07X16.83	1	EA
48	088017436	SUPPORT SPLASH PAN AL .102X16.07X16.83	1	EA
49	088017427	SPLASH PAN AL .102X19.43X26.95 ROADSIDE	1	EA
50	088017430	SPLASH PAN AL .102X19.93X26.95 CURBSIDE	1	EA
51	088017437	STRAP AL .125X2.98X25.76 ROADSIDE	1	EA
52	088017438	STRAP AL .125X2.98X25.76 CURBSIDE	1	EA
53	147026414	DRIP RAIL EXTENSION	1	EA
NS	44004077	SEAL TAPE #1458BTXFT	4.42	FT



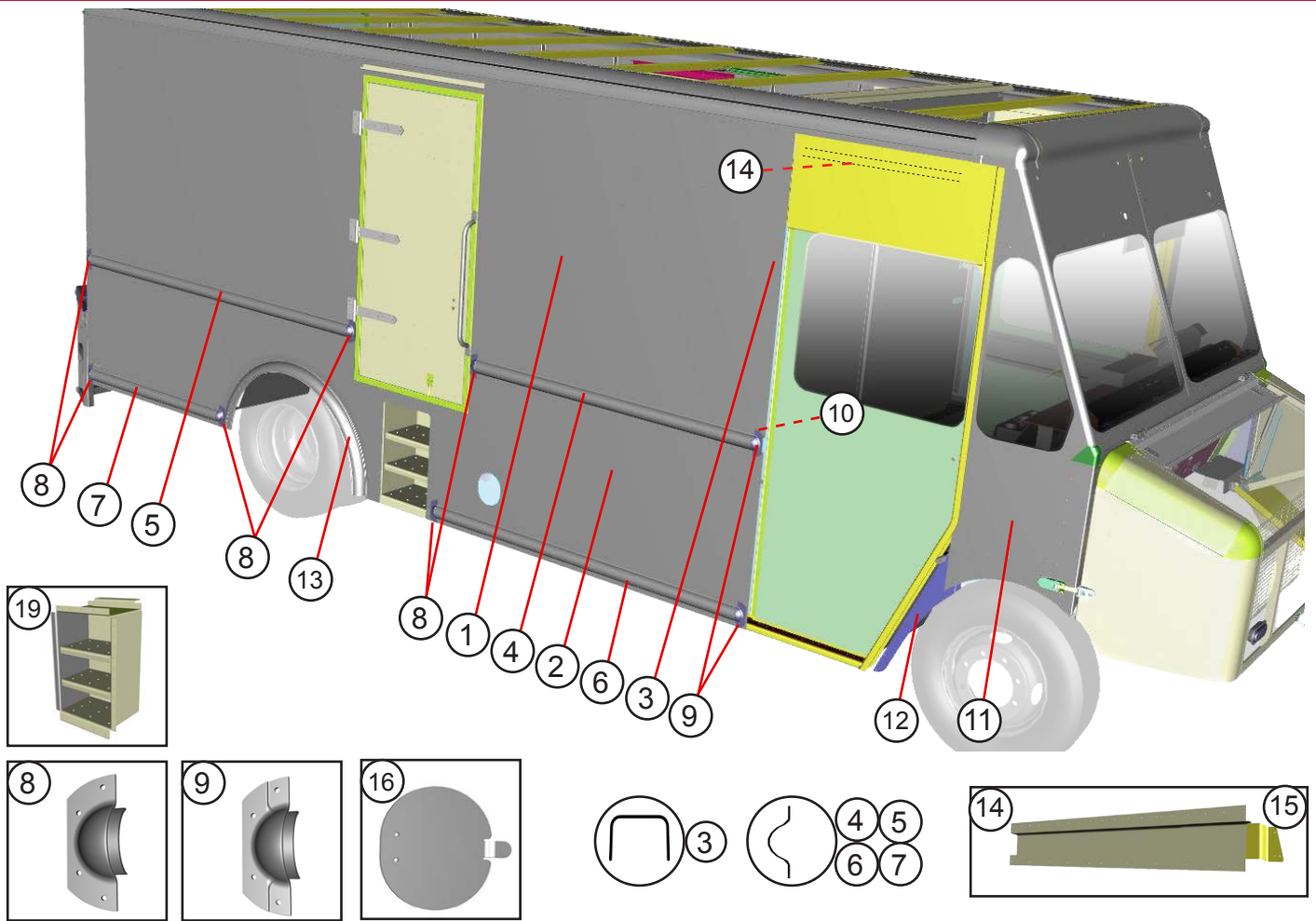
ITEM	PART #	DESCRIPTION	QTY.	UNIT
1	47004317	SEAT BLACK H/BK MAG100 W/ARMS	1	EA
2	47012668	SEAT SOC/PEDESTAL FRE 3POINT NTLT ROADSIDE	1	EA
3	128024410	BASE REINFORCEMENT STEEL 12GAX2X8	1	EA
4	48002690	SEAT BELT 3PNT W/7IN D LOOP	1	EA
5	005754400	BRACKET ANCHOR STEEL 7GAX7.24X25.75	1	EA
6	148069400	RETAINER JUMP SEAT AL450139X16.5	2	EA
7	002069402	ANGLE STRAP AL 450187X14.28	1	EA
8	148069401	SHIM JUMP SEAT AL.125X4.25X9.5	2	EA
9	148024410	PLATE COVER JUMP SEAT AL.102X5X15.5	1	EA
10				
11				
12	148024201	FLOOR STEP EXTENTION BOX ASSEMBLY	1	EA
13	148024405	FLOOR EXTENTION BOX AL.125X35.06X54	1	EA
14	148024406	FLOOR PLATE GUSSET AL.125X5.84X5.84	3	EA
15	148024408	FLOOR EXTENTION BOX AL.125X5.98X12.38 LEFT	1	EA
16	148024407	FLOOR EXTENTIONN BOX AL.125X5.92X29.43 RIGHT	1	EA
17	148024409	ANGLE MOUNTING FLOOR AL450188X9.75	1	EA



ITEM	PART #	DESCRIPTION	QTY.	UNIT
1	128040400	PLATE FILLER @ O'LINE AL.07X9.69X86.36	1	EA
2	45061103	BEAM AL FLOOR H/D RIB 7X86.19 O/	1	EA
3	45061201	BEAM AL FLOOR H/D RIB 8X85.5	3	EA
4	088031430	BEAM AL FLOOR 93W D/P 2DR & DLH	1	EA
5	45061202	BEAM AL FLOOR H/D RIB 8X92.19	1	EA
6	45061301	BEAM AL FLOOR H/D RIB 9X92.19	10	EA
7	45061401	BEAM AL FLOOR H/D RIB 8.5X92.19	2	EA
8	45058506	BEAM AL FLOOR RIB M/M 8"X92.19	1	EA
9	45061202	BEAM AL FLOOR H/D RIB 8X92.19	3	EA
10	45061101	BEAM AL FLOOR H/D RIB 7X92.19	1	EA
11	088033401	PLATE FILLER AL .125X6.68X92.38	1	EA
12	45059400	DROP SILL AL FLOOR 2.62X92.69	1	EA
13	45030300	ANGLE ATTATCH FLOOR / SIDE AL X241 (CURBSIDE SHOWN)	1.5	EA
14	128034400	BEAM FLOOR @ O'LINE AL.125X4.75X86.38	1	EA
15	148024405	FLOOR EXTENTION BOX AL.125X35.06X54	1	EA
16	45400511	ADHESIVE ANTI SLIP VINYL 4.5X32 YELLOW	2	EA
17	148024410	PLATE COVER JUMP SEAT AL.102X5X15.5	1	EA
18	130037400	GUSSET FLOOR TO SIDE	10	EA
19	128012419	SPLASH PAN FUEL FILL AL.07X21.36X29.84	1	EA
20	82312025	SUPPORT SPLASH PAN AL .07X1.5X2.84	1	EA
21	128012422	SUPPORT FUEL FILL AL.102X1X12.81	1	EA
22	128012420	BRACKET SUPPORT AL.125X8.14X11.5	1	EA
23	47007037	NECK FUEL FILL ROADSIDE FCC 2011	1	EA
24	47006607	VALVE DRAIN (MOUNTING PLATE 97435300)	2	EA

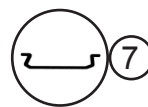
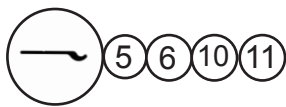
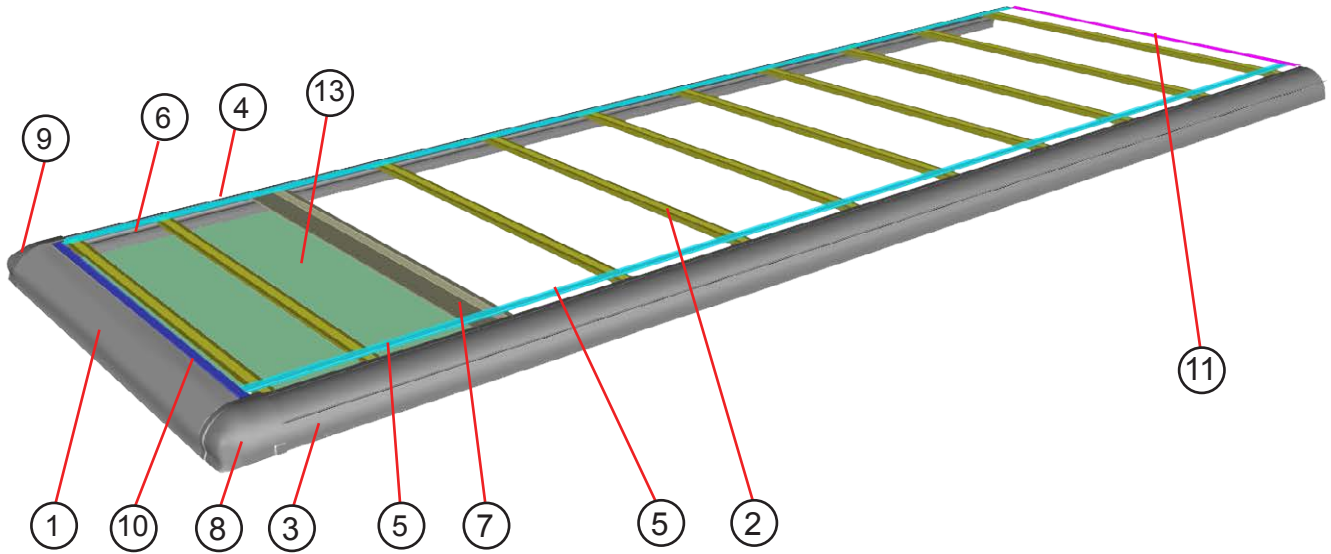


ITEM	PART #	DESCRIPTION	QTY.	UNIT
1	128038415	SIDE UPPER AL.102X60X201.31 L/R	1	EA
2	148037401	SIDE LOWER AL.102X37.5X201.31 ROADSIDE	1	EA
3	077400400	B POST AL 450274X99.62 ROADSIDE	1	EA
4	128038416	RUBRAIL UPPER FORWARD AL450002X69.37	1	EA
5	148038400	RUBRAIL UPPER REAR AL450002X89.81	1	EA
6	148110400	RUBRAIL LOWER FORWARD AL 450002X78.69	1	EA
7	148110401	RUBRAIL LOWER REAR AL450002X47.5	1	EA
8	1100799	END CAP REAR FL AL.125X2.37X5.5	6	EA
9	1100800	END CAP FORWARD AL.125X2.37X5.5	2	EA
10	7600165	PLATE FILLER RUBRAIL AL.125X2.88X3	1	EA
11	093005420	CAB SKIRT AL.070X27.28X30.57 ROADSIDE	1	EA
12	093022400	CAB SKIRT TAIL AL07X5.75X36.83 ROADSIDE	1	EA
13	083129404	FENDER RUBBER TYPE B X69.25 REAR	1	EA
14	083042400	STIFFENER HEADER AL450328X73.75 ROADSIDE	1	EA
15	96742302	CLIP AL ZEE .102X3X9.57	1	EA
NS	117012400	DOOR FUEL FILL	1	EA
NS	47007888	HINGE FUEL DOOR	1	EA
18	148042000	SIDE STEP ASSEMBLY WELDMENT	1	EA

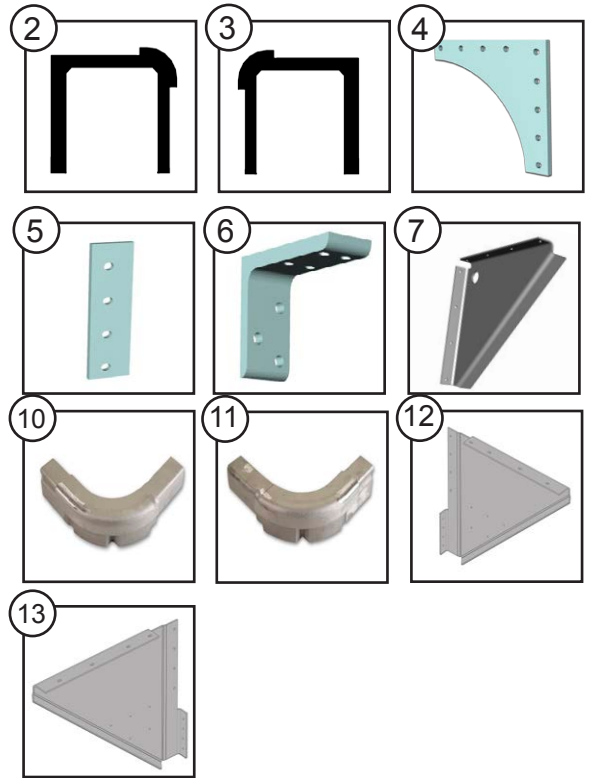
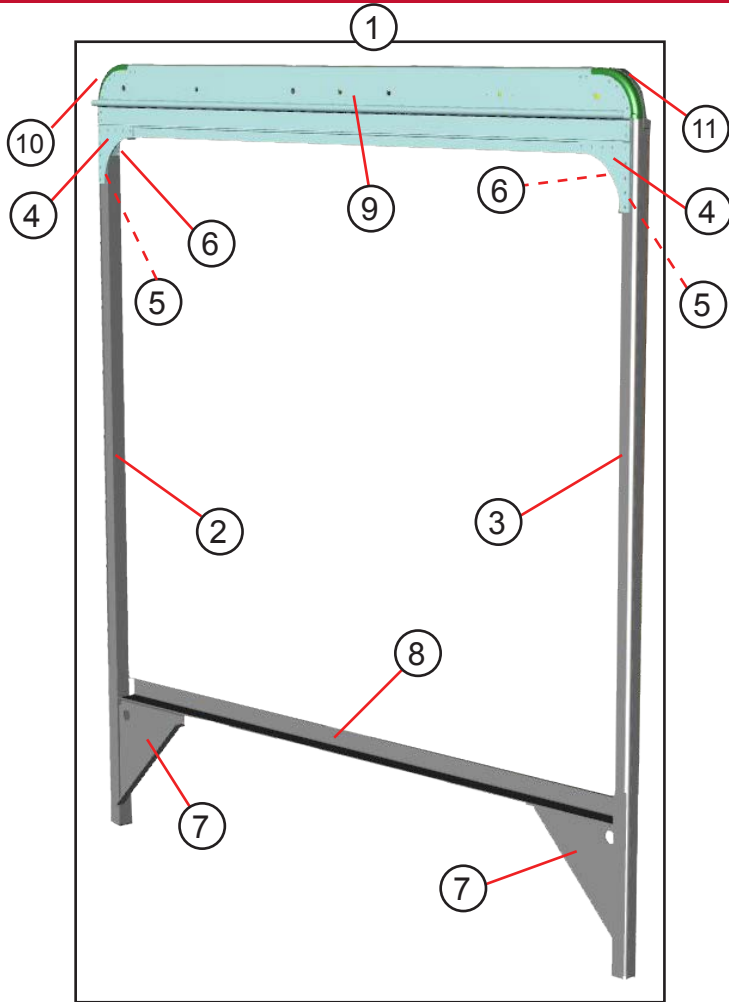


ITEM	PART #	DESCRIPTION	QTY.	UNIT
1	128038415	SIDE UPPER AL.102X60X201.31 L/R	1	EA
2	148037402	SIDE LOWER AL.102X37.5X201.31 CURBSIDE	1	EA
3	077400401	B POST AL 450274X99.62 ROADSIDE	1	EA
4	128038416	RUBRAIL UPPER FORWARD AL450002X69.37	1	EA
5	148038400	RUBRAIL UPPER REAR AL450002X89.81	1	EA
6	148110400	RUBRAIL LOWER FORWARD AL 450002X78.69	1	EA
7	148110401	RUBRAIL LOWER REAR AL450002X47.5	1	EA
8	1100799	END CAP REAR FL AL.125X2.37X5.5	6	EA
9	1100800	END CAP FORWARD AL.125X2.37X5.5	2	EA
10	7600165	PLATE FILLER RUBRAIL AL.125X2.88X3	1	EA
11	093005440	CAB SKIRT AL.070X27.28X30.57 CURBSIDE	1	EA
12	093022401	CAB SKIRT TAIL AL07X5.75X36.83 CURBSIDE	1	EA
13	083129404	FENDER RUBBER TYPE B X69.25 REAR	1	EA
14	083042401	STIFFENER HEADER AL450328X73.75 CURBSIDE	1	EA
15	96742302	CLIP AL ZEE .102X3X9.57	1	EA
16	095012410	DEF TANK DOOR	1	EA
NS	47007888	HINGE S/CO #C6-28	1	EA
NS	1107102	PLUG BUMPER DOOR	1	EA
19	148042200	SIDE STEP ASSEMBLY WELDMENT	1	EA

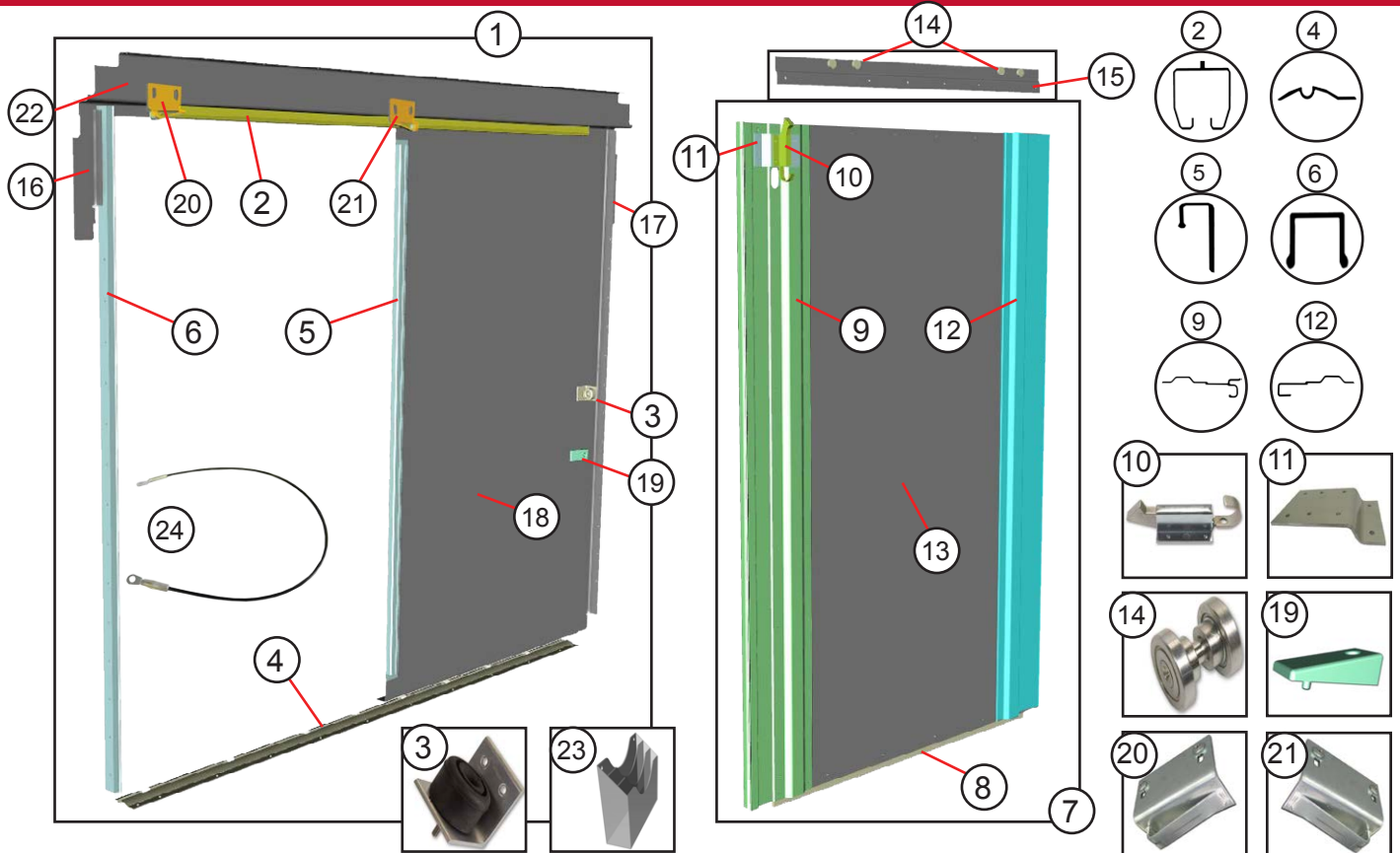
①



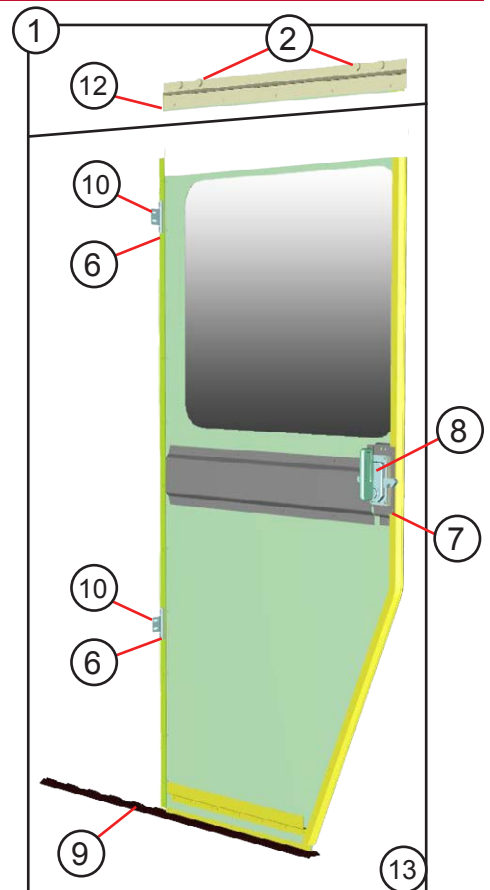
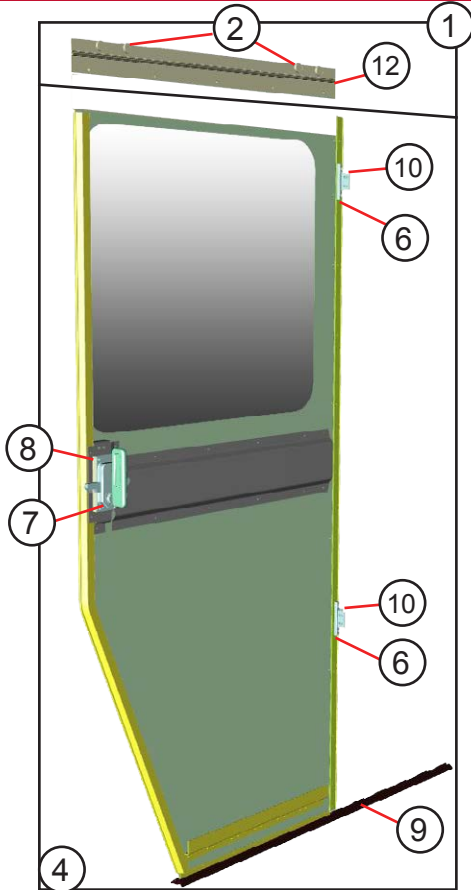
ITEM	PART #	DESCRIPTION	QTY.	UNIT
1	083010400	ROOF NOSE 93W AL 456107x82.5	1	EA
2	45601603	ROOF BOW STEEL 16GA SEC456016 X89.12	10	EA
3	098010407	RAIL ROOF 16' 456144X237.25 ROADSIDE	1	EA
4	098010408	RAIL ROOF 16' 456144X237.25 CURBSIDE	1	EA
5	088010512	RAIL INTERLOCK ROOF AL 450140X237.25 ROADSIDE	1	EA
6	088010513	RAIL INTERLOCK ROOF AL 450140X237.25 CURBSIDE	1	EA
7	118010402	ROOF BOW @ O/LINE 14GA GLNX9.54X89.12	1	EA
8	077100400	CORNER AL CAST ROOF ROADSIDE	1	EA
9	077100401	CORNER AL CAST ROOF CURBSIDE	1	EA
10	89310506	NOSE ROOF INTERLOCK AL 45014X82.38	1	EA
11	89310507	ROOF INTERLOCK TRANSOM AL 450140X79.88	1	EA
NS	45200851	SKIN FBG ROOF .075X82.25XFT	19.98	FT
13	118011402	LINER ROOF CAB 452100X37.12X86.75	1	EA
14	47006610	CLIP PLASTIC FLAT HEAD .45HEADX.64	52	EA
NS	100011400	POLYST FILL ROOF LINER 4200200 4X22.5	3	EA
NS	1109001	INSULATION FIBERGLASS 1 X 48 X 7.25 FT	1	EA



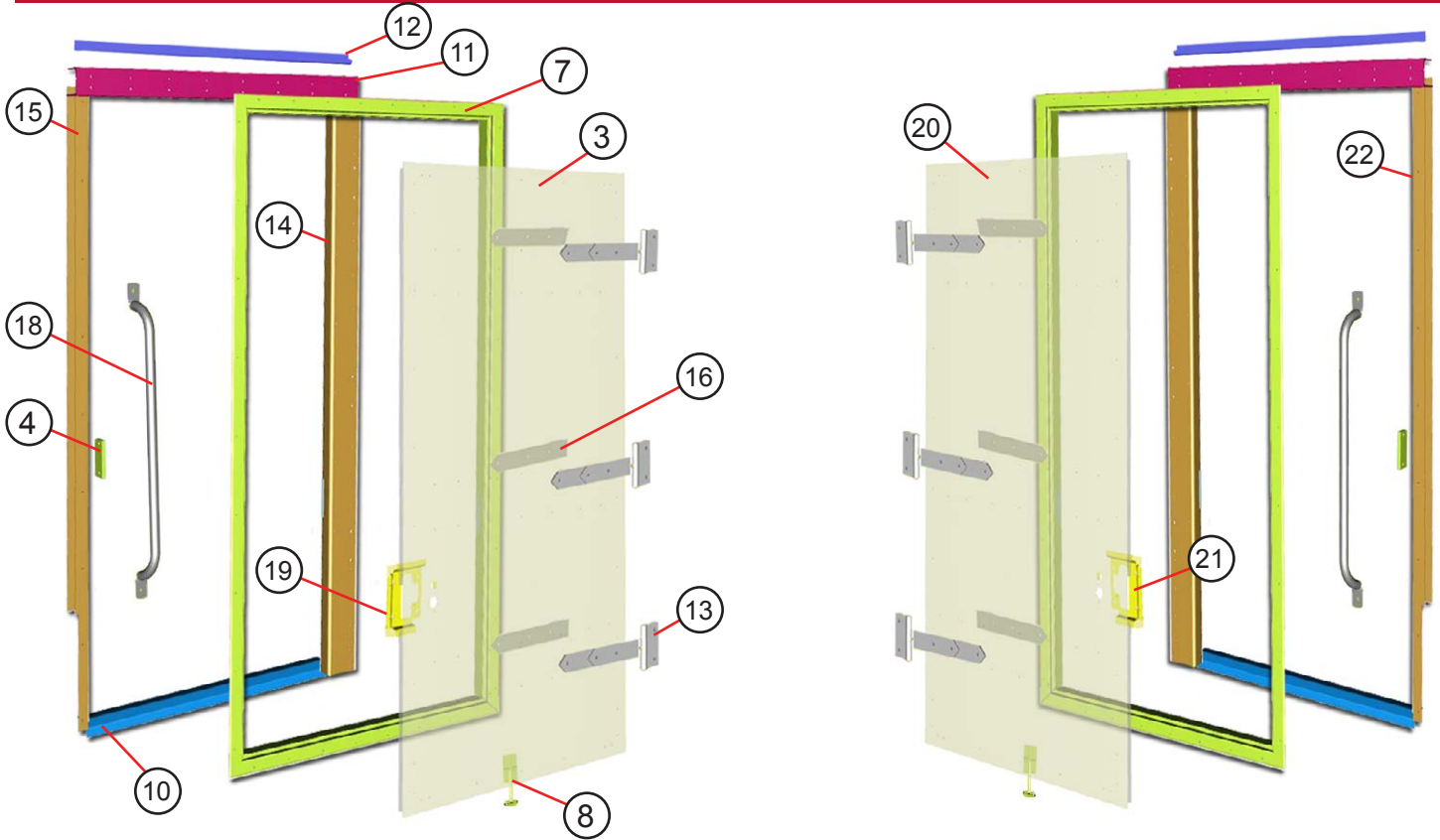
ITEM #	PART #	DESCRIPTION	QTY	UNIT
1	148053002	BACK ASSEMBLY 85H 93W F/O RUD N/LMP N/BX	1	EA
2	148053404	CHANNEL POST CORNER AL 450359X92.69	1	EA
3	148053405	CHANNEL POST CORNER AL 450359X92.69	1	EA
4	7400207	GUSSET RUD UPPER .25X7.12X7.38	2	EA
5	7400208	SHIM GUSSET .188X1.38X6	2	EA
6	89353301	CLIP HOLDER AL 450198X1.25LH/RH	2	EA
7	135057419	BRACE STEEL 7GA x 15.85 x 15.85	2	EA
8	135057418	CHANNEL BUMPER SILL STEEL 7GA X 7.75 X 89	1	EA
9	083053401	TRANSOM REAR RUD AL 450266X91.62	1	EA
10	45100009	POST AL CAST CORNER REAR ROOF ANGLE ROADSIDE	1	EA
11	45100010	POST AL CAST CORNER REAR ROOF ANGLE CURBSIDE	1	EA
12	148053410	GUSSET BACK	1	EA
13	148053411	GUSSET BACK	1	EA



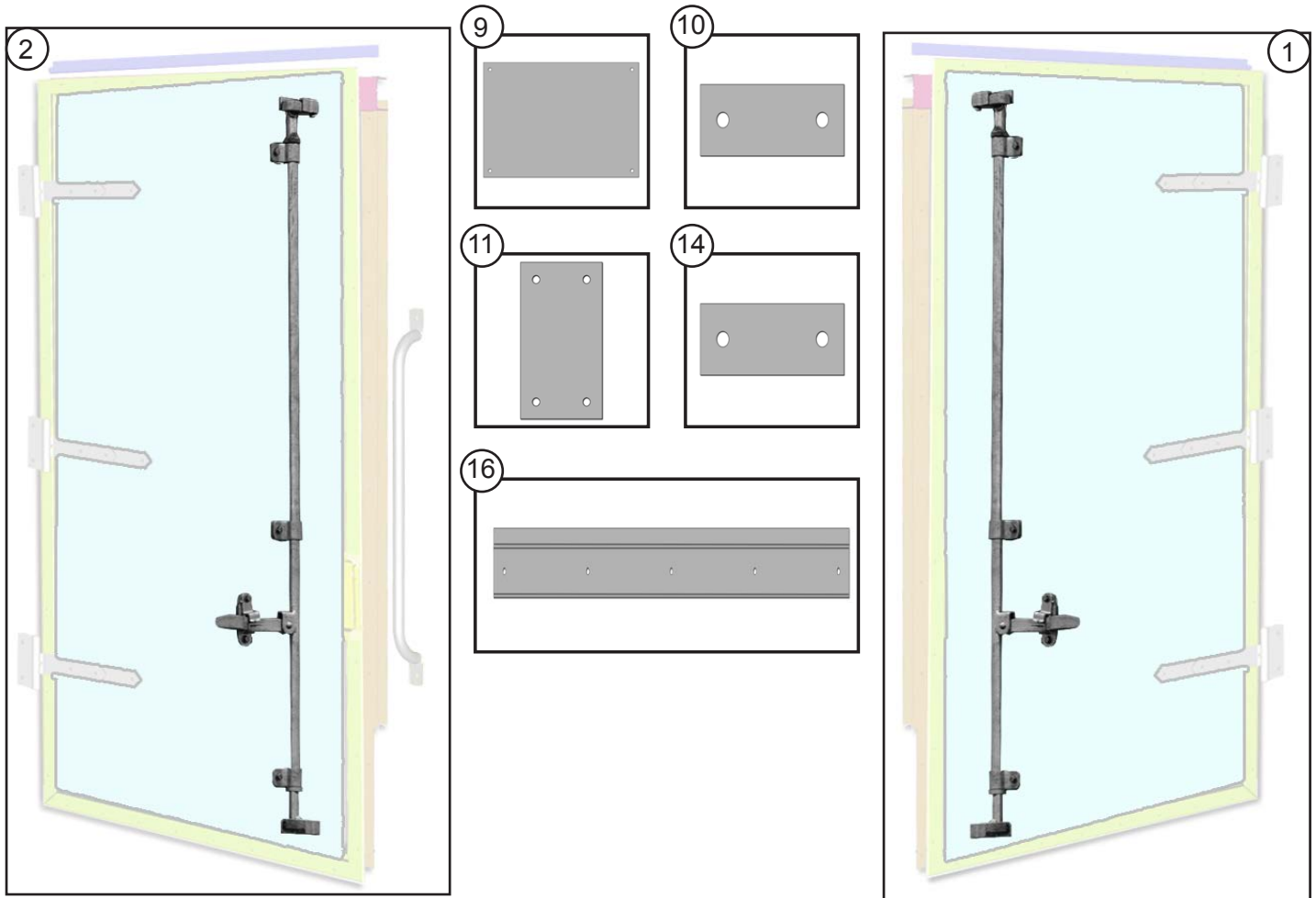
ITEM #	PART #	DESCRIPTION	QTY	UNIT
1	148070000	BULKHEAD INSTALLATION 93W85H 2PC LH SLIDING	1	EA
2	96741202	TRACK DOOR ASSEMBLY	1	EA
3	5903152	DOOR STOP ASSEMBLY (ANGLE 82140014 / BUMPER 1107086)	1	EA
4	148070405	GUIDE DOOR BULKHEAD AL450414X78.97	1	EA
5	148070407	JAMB DOOR BHD AL450502X64.93	1	EA
6	148070406	JAMB DOOR BHD AL450326X68.34	1	PR
7	148070200	DOOR ASSEMBLY BHD SLIDING RH 93W85H 2DR	1	EA
8	148070404	GUIDE DOOR BHD AL452002X38.35	1	EA
9	148070401	FRAME BHD DOOR AL450504X67.68	1	EA
10	1113046	LATCH FINGER PULL	1	EA
11	92537309	PLATE MOUNTING LATCH AL .125X3X5.29	1	EA
12	148070402	FRAME BHD DOOR AL450503X67.68	1	EA
13	148070403	PANEL BHD DOOR AL.102X38.36X67.68	1	EA
14	47006595	BEARINGS	4	PR
15	148070410	PLATE HANGER AL.125X3.04X42.5	1	EA
16	118070411	PLATE BULKHEAD AL.055X3.56X12.29RH	1	EA
17	118070412	PLATE BULKHEAD AL.055X3.56X12.29LH	1	EA
18	148070408	PANEL BULKHEAD AL.102X44.91X71.31LH	1	EA
19	45200208	DOOR CHOCK NYL 33%GLS FILLED DOOR	1	EA
20	062070202	STRIKER WELDMENT BHD DOOR RH	1	EA
21	062070201	STRIKER WELDMENT BHD DOOR LH	1	EA
22	148070400	ZEE HEADER BULKHEAD AL.102X8.9X92.4	1	EA
23	47009286	DOCUMENT HOLDER 3 POCKET	1	EA
24	1113600	CABLE BULKHEAD	1	EA



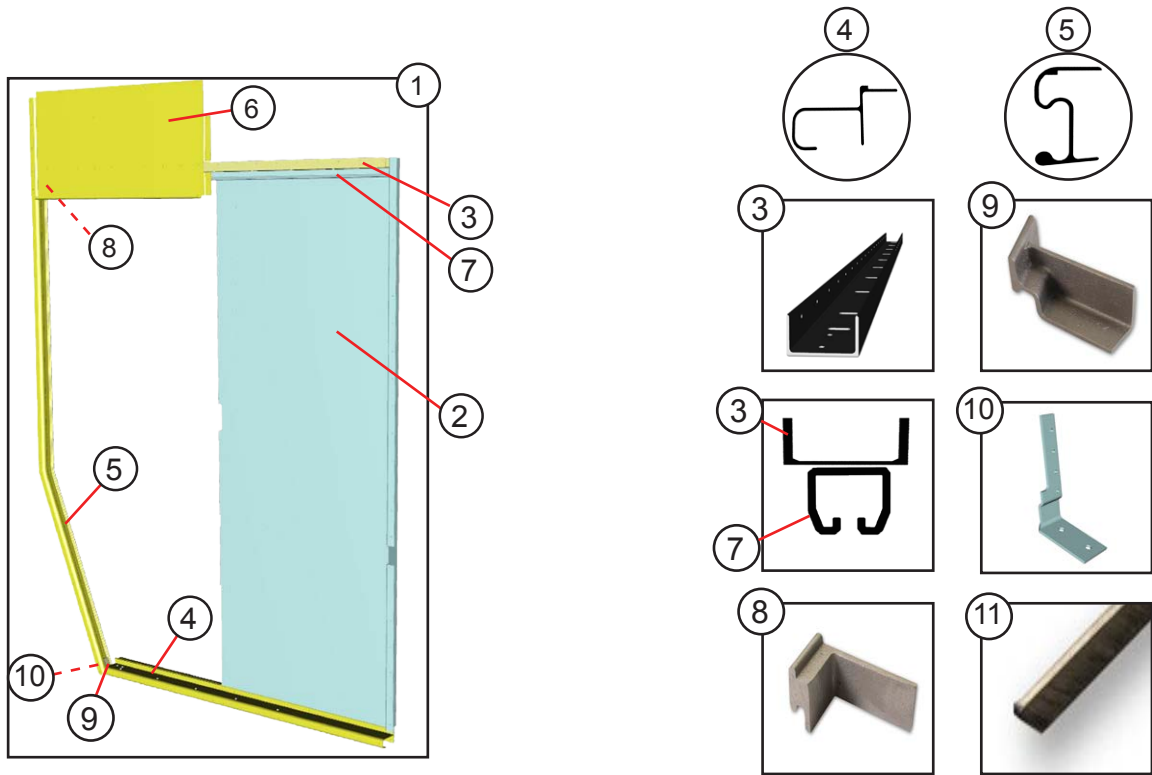
ITEM #	PART #	DESCRIPTION	QTY	UNIT
1	96760203	HANGER ASSEMBLY	1	EA
2	47006595	BEARINGS	4	PR
3	44008050	SEAL BRUSH TYPE B	1	EA
4	118060201	DOOR ASSEMBLY CURBSIDE	1	EA
5	98760306	WEATHERSTRIP	1	EA
6	45200206	SPACER ANTI RATTLE CLIP	2	EA
7	1113016	LATCH MECHINISM	1	EA
8	087181	KASON SPACER LATCH	1	EA
9	47002766	GUIDE NYLON DOOR MOLDED LOWER X51.44	1	EA
10	96760318	CLIP ANTI RATTLE	2	EA
11	44004104	SEAL RUBBER RS FWD DR X89.25	1	EA
12	96760307	PLATE DOOR HANGER	1	EA
13	118060200	DOOR ASSEMBLY ROADSIDE	1	EA
14	45100094	BRACKET STRIKER CAST D/S	2	EA
15	45100093	STRIKER BRONZE D/S RR	4	EA
16	45100163	STRIKER BRONZE D/S RR	2	EA
17	44002011	BUMPER RUBBER A/I #0021W	2	EA
18	47000689	HANDLE SIDE BLACK	2	EA
19	47001194	REMOVABLE KASSTASPLKEY	2	EA
20	45800062	WINDOW SLIDING CURBSIDE	1	EA
21	45800063	WINDOW SLIDING ROADSIDE	1	EA
22	118060403	PANEL INTERIOR LOWER DOOR SKIN AL.07X39.4X40.02	1	EA
NS	42002001	INSULATION RFLTX 4FTx3.12FT	3.12	FT



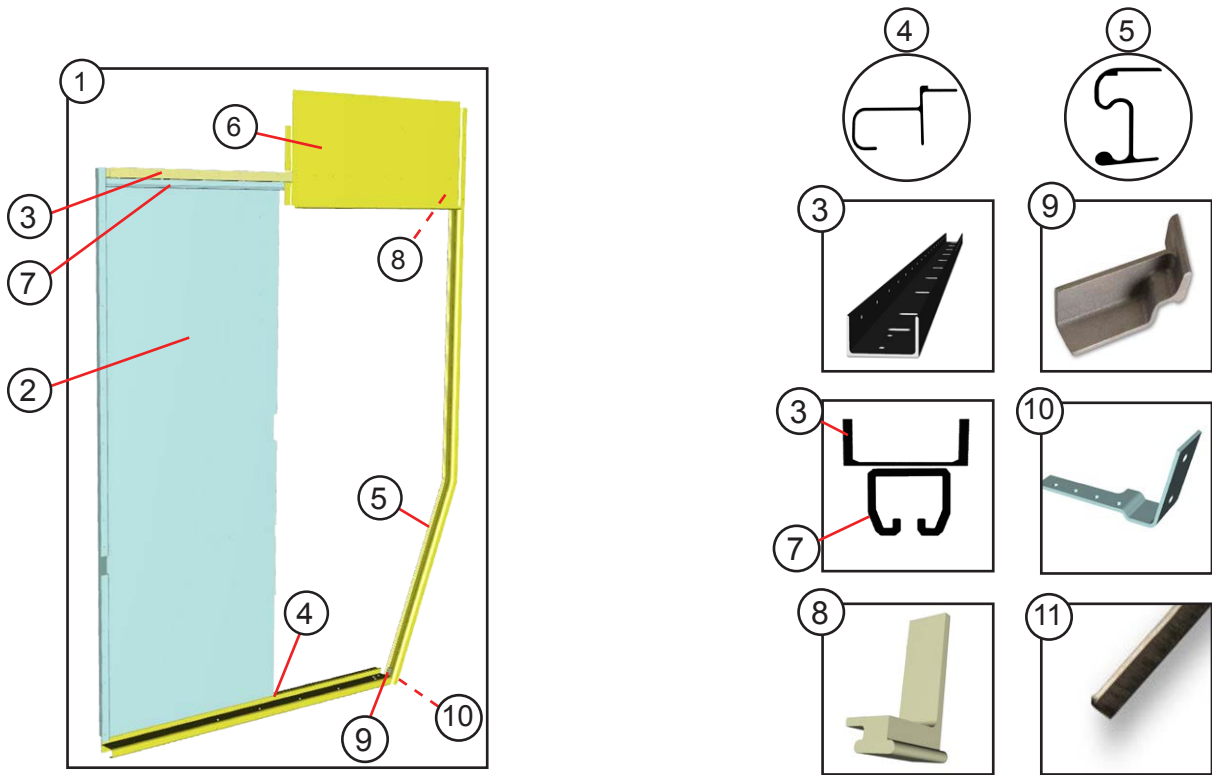
ITEM #	PART #	DESCRIPTION	QTY	UNIT
ROADSIDE CARGO DOOR				
1	1113298	LOCK KIT EBH #2-206U LH	1	EA
2	1113420	HANDLE LEVER LAT.31SQ SNKX1.5	1	EA
3	148042202	DOOR ASSEMBLY 66H30W ROADSIDE	1	EA
4	89367457	SPACER LOCK AL BAR .375X1.5X4	1	EA
5	83142001	LOCK PILR INSTALLATION SED DOOR HNDL	1	EA
6	1113708	PILLER LOCK .288 SQ SNKX1.5	1	EA
7	006842201	JAMB ASSEMBLY (HORZ-006842402 X2 VERT-04M206071 X2)	1	EA
8	1113094	DOOR HOLDER POS M HK #5601	1	EA
9	1113095	DOOR HOLDER POS FEM KPR #5601	1	EA
10	006842401	RNF SILL AL .102X3.26X31	1	EA
11	006842403	STIFNENER HORZ TOP AL450064X31	1	EA
12	006842404	RAIL DRIP AL 450006X34	1	EA
13	47007900	HINGE AL STRAP W/ZERK .25 OFF SET	3	EA
14	148042403	STIFFENER FORWARD AL.125X6.34X66.75LH	1	EA
15	04M206091	STIFFENER REAR VERTICLE AL 450011X66.75	1	EA
16	124051418	SHIM HINGE AL.125X2X10.7	3	EA
17	45400484	STRAP DOOR PULL 12IN KND #1512	1	EA
18	47001063	GRAB HANDLE 1" AL 31.875L 2.75DP ANZ	1	EA
19	003564425	BRACKET LOCK ROADSIDE	1	EA
CURBSIDE CARGO DOOR - SAME AS ABOVE EXCEPT FOR THE FOLLOWING:				
20	148042203	DOOR ASSEMBLY 66H30W CURBSIDE	1	EA
21	003564424	BRACKET LOCK CURBSIDE	1	EA
22	006842409	FRAME DOOR VERTICLE 450034X65.5 RH	1	EA



ITEM #	PART #	DESCRIPTION	QTY	UNIT
1	140098001	LOCK ROD KIT ROADSIDE (COMPLETE INSTALLATION)	1	EA
2	140098002	LOCK ROD KIT CURBSIDE (COMPLETE INSTALLATION)	1	EA
NS	44004079	SEAL "D" .25 X .375 16FT (1 PER SIDE)	2	EA
NS	076543	GASKET-DOOR HANDLE RETAINER (1 PER SIDE)	2	EA
NS	053400	FASTENER SC .375-16X1.25 FL/HD TORX (4 PER SIDE)	8	EA
NS	076544	GASKET-DOOR LOCK ROD GUIDE (3 PER SIDE)	6	EA
NS	087726	LHW POLAR KEEPER 0258-222 (1 PER SIDE)	2	EA
NS	087725	LHW POLAR KEEPER 0258-220 (1 PER SIDE)	2	EA
9	140098400	COVER PLATE AL.102X6.5X9 (1 PER SIDE)	2	EA
10	140098402	SPACER AL.25X1.75X4.5 (3 PER SIDE)	6	EA
11	140098401	COVER PLATE AL.102X2X3.5 (1 PER SIDE)	2	EA
NS	140098200	LOCK ROD WELDMENT ROADSIDE	1	EA
NS	140098201	LOCK ROD WELDMENT CURBSIDE	1	EA
14	140098405	BACK PLATE AL.102X1.75X4.5 (6 PER SIDE)	12	EA
NS	087729	LHW POLAR HARDWARE KIT (1 PER SIDE)	1	EA
16	140098406	WAT STP AL450145X29.75 (1 PER SIDE)	2	EA
10	140098407	SPACER AL.125X2X5.12 (1 PER SIDE)	2	EA
14	140098408	SPACER AL.25X2X5.12 (1 PER SIDE)	2	EA



ITEM #	PART #	DESCRIPTION	QTY.	UNIT
1	128041214	D/PKT A 3" 85H Y LH	1	EA
2	128041439	PANEL DOOR POCKET AL.102X42.26X87.65 ROADSIDE	1	EA
3	96741302	CHANNEL HEADER AL 450256X75 ROADSIDE	1	EA
4	98741352	NOSE STEP AL 450247X61.29 ROADSIDE	1	EA
5	077410400	DOOR POST AL 450294X102.43 ROADSIDE	1	EA
6	077410404	PANEL HEADER AL .102X19.49X42.37 ROADSIDE	1	EA
7	96741202	TRACK DOOR ASSEMBLY UPPER	1	EA
8	45100048	GUSSET AL CAST HEADER CHANNEL TO DOOR POST ROADSIDE	1	EA
9	45100104	DOOR POST AL CAST LOWER ROADSIDE	1	EA
10	001741407	REINFORCEMENT A POST AL.125X1.53X8.04 ROADSIDE	1	EA
11	44008050	SEAL BRUSH TYPE B 1X83.9	1	EA
12	44004060	SEAL BRUSH TYPE C 1.5X82	1	EA
NS	45900001	PLUG WD RUBRAIL .75X1.12X2.9	1	EA



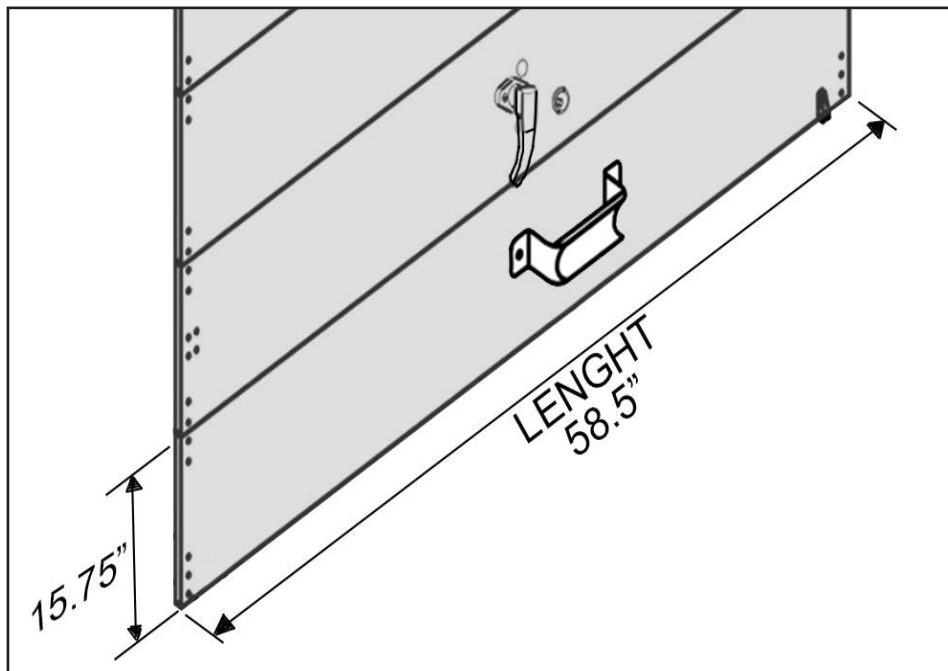
ITEM #	PART #	DESCRIPTION	QTY.	UNIT
1	128041215	D/PKT A 3" 85H Y LH	1	EA
2	128041440	PANEL DOOR POCKET AL.102X42.26X87.65 CURBSIDE	1	EA
3	96741303	CHANNEL HEADER AL 450256X75 CURBSIDE	1	EA
4	98741353	NOSE STEP AL 450247X61.29 CURBSIDE	1	EA
5	077410401	DOOR POST AL 450294X102.43 CURBSIDE	1	EA
6	077410405	PANEL HEADER AL .102X19.49X42.37 CURBSIDE	1	EA
7	96741202	TRACK DOOR ASSEMBLY UPPER	1	EA
8	45100049	GUSSET AL CAST HEADER CHANNEL TO DOOR POST RH	1	EA
9	45100105	DOOR POST AL CAST LOWER CURBSIDE	1	EA
10	001741408	REINFORCEMENT A POST AL.125X1.53X8.04 CURBSIDE	1	EA
11	44008050	SEAL BRUSH TYPE B 1X83.9	1	EA
12	44004060	SEAL BRUSH TYPE C 1.5X82	1	EA
NS	45900001	PLUG WD RUBRAIL .75X1.12X2.9	1	EA

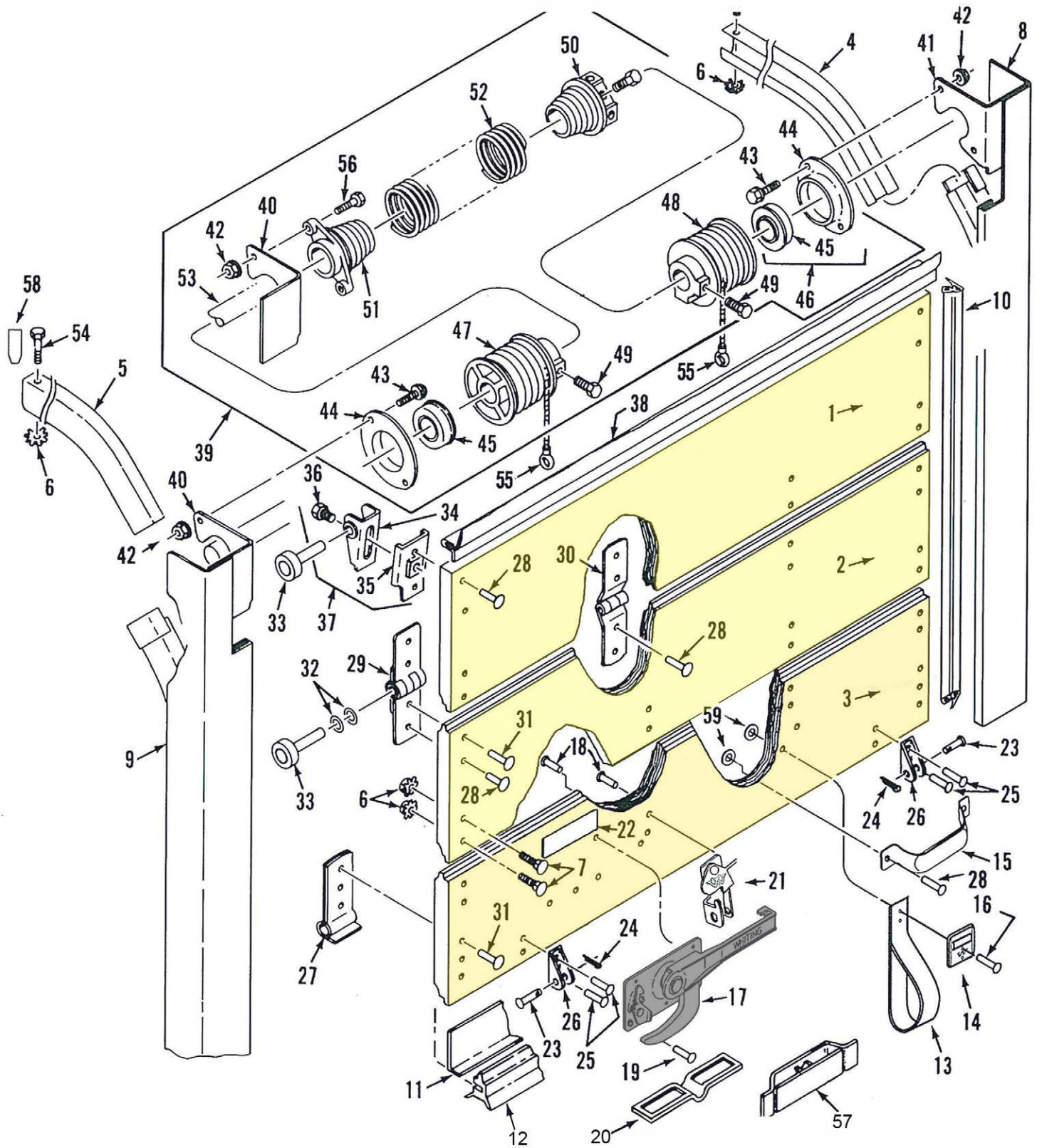


ROLL-UP DOOR SERIAL NUMBER LOCATION

WHEN ORDERING PARTS FOR ROLL-UP DOORS,
PLEASE PROVIDE THE FOLLOWING INFORMATION.
THE SERIAL NUMBER LOCATED ON THE INTERIOR TOP PANEL ROADSIDE EDGE.
THE LENGHT AND HEIGHT OF THE DOOR PANEL TO BE REPLACED.

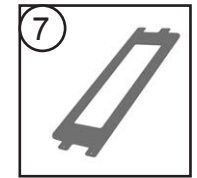
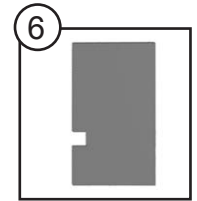
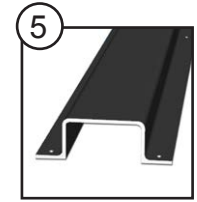
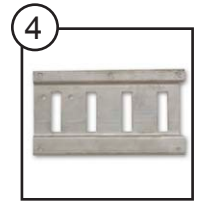
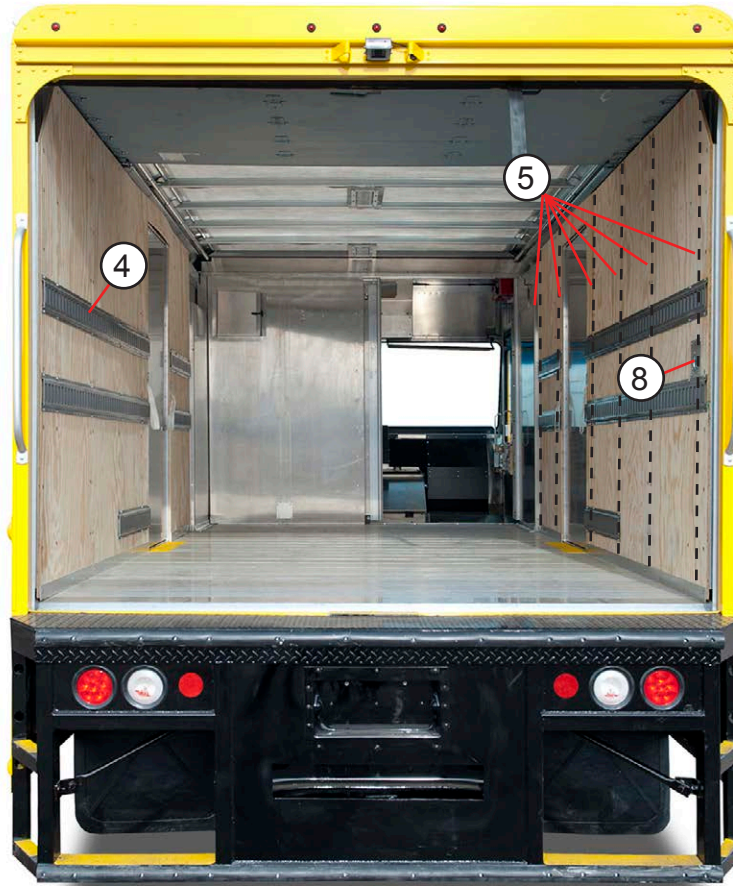
IN THE EVENT OF A DAMAGED, UN-READABLE OR MISSING SERIAL NUMBER,
PLEASE TRY TO PROVIDE THE COMPOSITION DETAILS OF THE DOOR PANEL.
(PLASTIC COATED, ALUMINUM CLAD, PLYWOOD, ETC.)



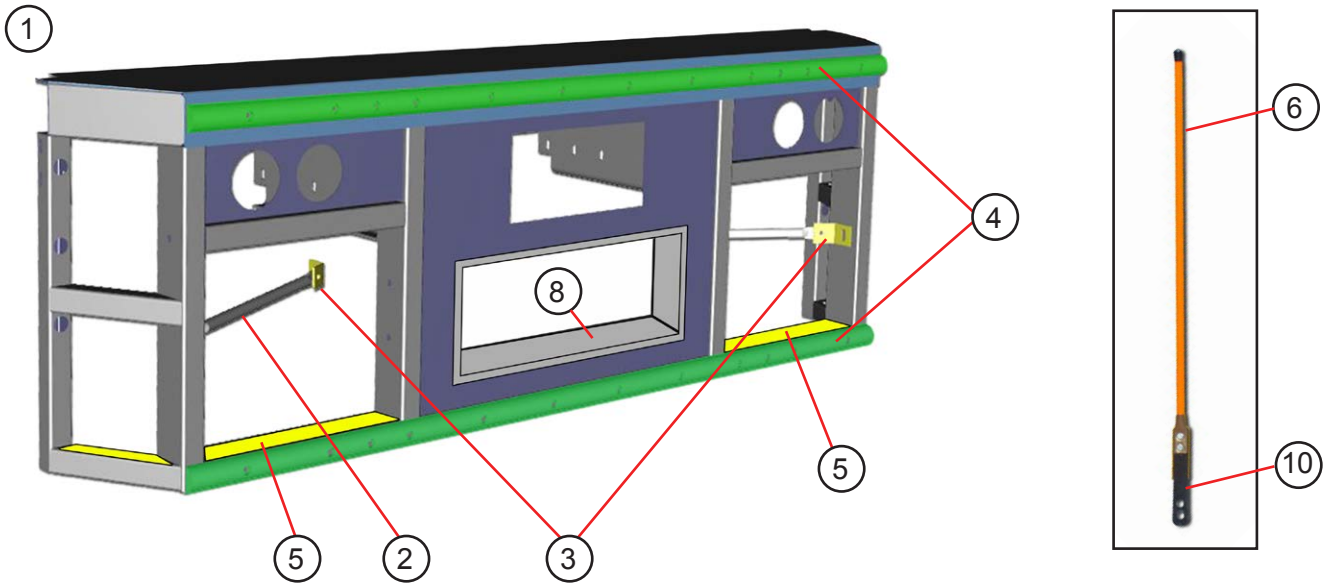


ITEM#	WHITING	TODCO	DESCRIPTION
1	4441		TOP PANEL - PLASTIC - COMPLETE - (SPECIFY L & W)
1	4429		TOP PANEL - ALUMINUM CLAD - COMPLETE - (SPECIFY L & W)
2	4042	29014	INTERMEDIATE PANEL - PLASTIC - (SPECIFY L & W)
2	4130	29018	INTERMEDIATE PANEL - ALUMINUM CLAD - (SPECIFY L & W)
3	4445		BOTTOM PANEL - PLASTIC - COMPLETE - (SPECIFY L & W)
3	4433		BOTTOM PANEL - ALUMINUM CLAD - COMPLETE - (SPECIFY L & W)
3	4043		BOTTOM PANEL - PLASTIC - COMPLETE, LESS LOCK (SPECIFY L & W)
4	4053	41043	HORIZONTAL TRACK - CURBSIDE - (SPECIFY LENGHT)
5	4052	41042	HORIZONTAL TRACK - ROADSIDE - (SPECIFY LENGHT)
6	10-1022-1	80352-420	HEX NUT - SELF LOCKING - 1/4" NC
7	10-1003-8	80015-1612	STEP BOLT
8	4046	41035-1	VERTICLE TRACK & MOUNTING ANGLE CURBSIDE (SPECIFY LENGHT)
9	4045	41034-2	VERTICLE TRACK & MOUNTING ANGLE ROADSIDE (SPECIFY LENGHT)
10	4019/97	69840	SIDE SEAL - (SPECIFY LENGHT)
11	4034	61191	BOTTOM ANGLE SEAL RETAINER (SPECIFY LENGHT)
12	4143-1/96.5		BOTTOM SEAL (SPECIFY LENGHT)
13	9723	80844	PULL STRAP - 19" WITH #7575 RETAINER
13	9723-1		PULL STRAP - 32" WITH #7575 RETAINER
13	9723-2		PULL STRAP - 42" WITH #7575 RETAINER
14	7575		PULL STRAP RETAINER
15	1715	61401	LIFT HANDLE
16	10-1002-9		RIVET - 1/4 X 1-5/16 X 1/2 HD, COATED STEEL
17	4077		CAM LOCK, NO KEEPER
18	10-1002-42		RIVET - 1/4 X 1-1/16 X 3/4 HD, COATED STEEL
19	10-1002-11		RIVET - 1/4 X 1-1/8 X 1/2 HD, COATED STEEL
20	4021		LATCH PLATE
21	7515		KEEPER ASSEMBLY
22	3034		"DO NOT MOVE" DECAL
23	10-1004-2	61026	CABLE ANCHOR CLEVIS PIN
24	10-1009-5	80401-316	COTTER PIN
25	10-1002-9		RIVET - 1/4 X 1-5/16 X 1/2 HD, COATED STEEL
26	4004	61204	CABLE ANCHOR BRACKET
27	4003	61352	BOTTOM ROLLER FIXTURE
27	8813	70123-2	BOTTOM ROLLER FIXTURE - HIGH STRENGHT, 2 PIECE, ROADSIDE
27	8814	70123-1	BOTTOM ROLLER FIXTURE - HIGH STRENGHT, 2 PIECE, CURBSIDE
28	10-1002-3	80841	RIVET - 1/4 X 1 X 3/4 HD COATED STEEL
28	10-1002-23		RIVET - 1/4 X 1-1/32 X 3/4 HD COATED STEEL
29	4007	69035	END HINGE
29	8656	70236	END HINGE HIGH STRENGHT
30	4012	61196	CENTER HINGE
30	8654	70238	CENTER HINGE HIGH STRENGHT
31	10-1002-36	80842	RIVET - 1/4 X 1-1/8 X 3/4 HD COATED STEEL
31	10-1002-43		RIVET - 1/4 X 1-3/32 X 3/4 HD STAINLESS

ITEM#	WHITING	TODCO	DESCRIPTION
32	6	80020	SPACER WASHER ROLLER
33	4026		ROLLER - 1" PRECISION, STEEL
33	4027	61174	ROLLER - 1" STAMPED, STEEL
34	4038	69431	SLIDE - ADJUSTABLE TOP FIXTURE
34	8652	70233	SLIDE - ADJUSTABLE TOP FIXTURE HIGH STRENGHT
35	4051	69432	BASE - ADJUSTABLE TOP FIXTURE
36	10-1073-2	89049	BOLT - ADJUSTABLE TOP FIXTURE
37	4039	69433	ADJUSTABLE TOP FIXTURE ASSEMBLY COMPLETE
38	5886/95.187		TOP SEAL, BRUSH (SPECIFY LENGHT)
39	4090	59174	BALANCER ASSEMBLY - COMPLETE LESS MOUNTING BRACKETS - (DOES NOT INCLUDE # 40, 46 & 55) (SPECIFY LENGHT)
40	4028	51036-2	BALANCER MOUNTING BRACKET ROADSIDE & CENTER
41	4029	51036-1	BALANCER MOUNTING BRACKET CURBSIDE
42	10-1063-1	80352-518	HEX NUT - SELF LOCKING - 5/16" NC
43	10-1010-8	89043-1	BOLT = 5/16 NC X 5/8"
44	4023		BEARING RETAINER
45	10-1025-4	80701-2	BEARING
46	4033	51038	BEARING AND RETAINER ASSEMBLY - 1" BALL BEARING
47	4014	51040-1	CABLE DRUM - 3" DIA. - ROADSIDE - UP TO 105" DOOR
47	4128	59033-2	CABLE DRUM - 3" DIA. - ROADSIDE - UP TO 144" DOOR
48	4013	51040-2	CABLE DRUM - 3" DIA. - CURBSIDE - UP TO 105" DOOR
48	4127	59033-1	CABLE DRUM - 3" DIA. - CURBSIDE - UP TO 144" DOOR
49	2699	80300-2414	HEX HEAD SET SCREW - 3/8 NC X 7/8"
50	4050	51041	SPRING WINDING PLUG - 1-3/4"
51	4025	51043	SPRING ANCHOR PLUG - 1-3/4"
52	2701	51042	TORSION SPRING - 1-3/4" DIA. (SPECIFY SIZE)
53	3100	51037	COUNTER BALANCE SHAFT (SPECIFY LENGHT)
54	10-1010-31	80105-416	HEX HEAD BOLT - 1/4 NC X 2"
55	4020-1	59004	STAINLESS STEEL CABLE ASSEMBLY - 1/4" EYE, 115" - UP TO 105" DOOR
56	10-1010-9	80105-508	HEX HEAD BOLT - 5/16 NC X 1"
57	4024	69341	CATCH BOX
58	4204		1" TRACK STOP BUMPER
59	10-1006-1		WASHER
NS	9292/96		SIDE SEAL AUX.



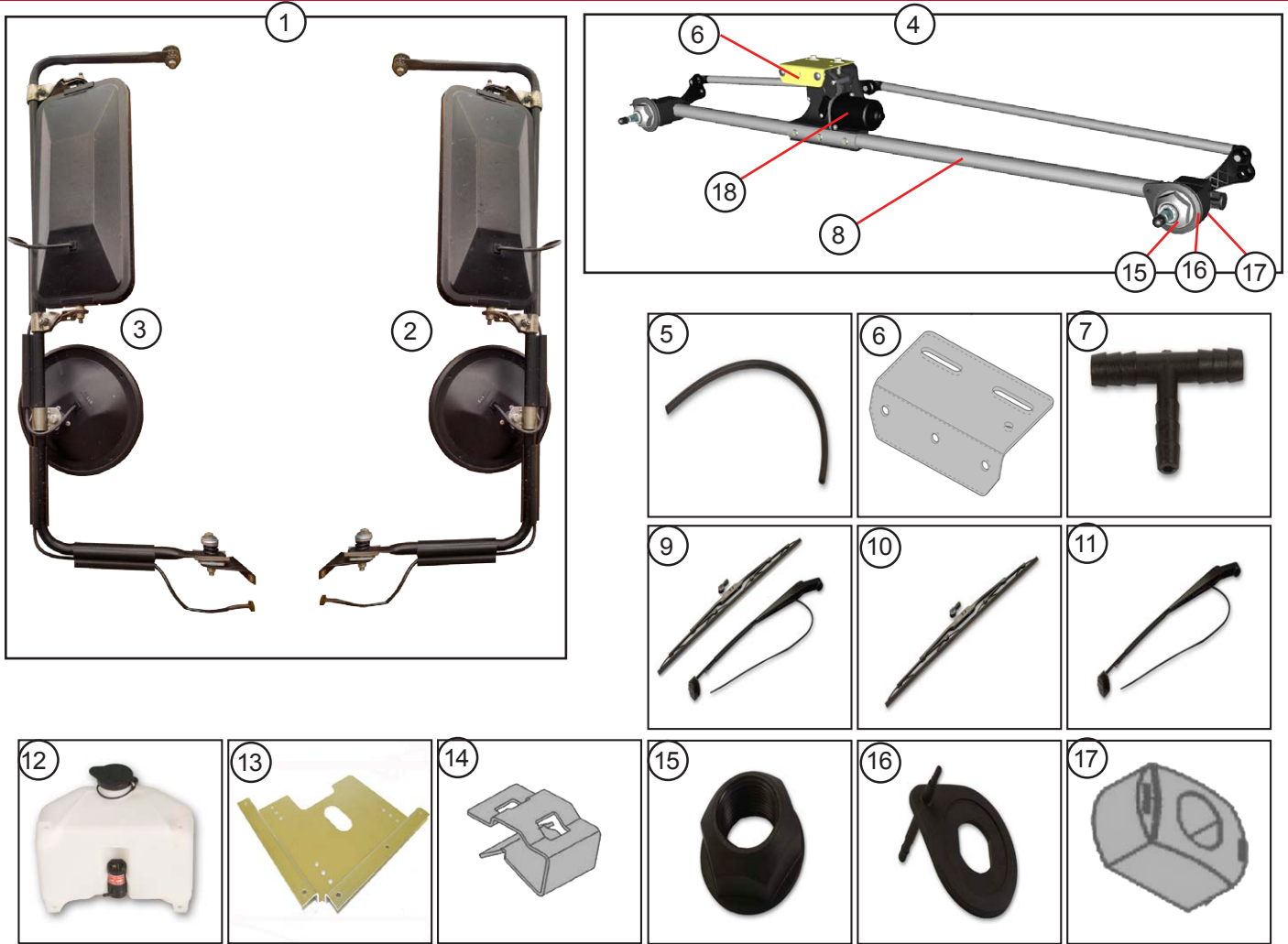
ITEM #	PART #	DESCRIPTION	QTY.	UNIT
1	1109016	PLYWOOD .5X48X96 AC	8	EA
NS	89845317	TIE STRAP AL .125X2X96	8	EA
NS	1100912	ZEE AL 1.5X89.12	3	EA
4	1101531	E/TRK HORZ GRY PRM X120	2	EA
5	148048417	STIFFENER SIDE AL450039X69.5	14	EA
6	148013400	LINER DOOR SKIN INTERIOR AL.102X29.5X65.5	2	EA
7	100092401	BRACKET DOME LAMP	2	EA
8		REAR CARGO AREA DOME LAMP SWITCH SEE PAGE 32		
4	091050458	E/TRK HORZ 1101531X24.50	2	EA



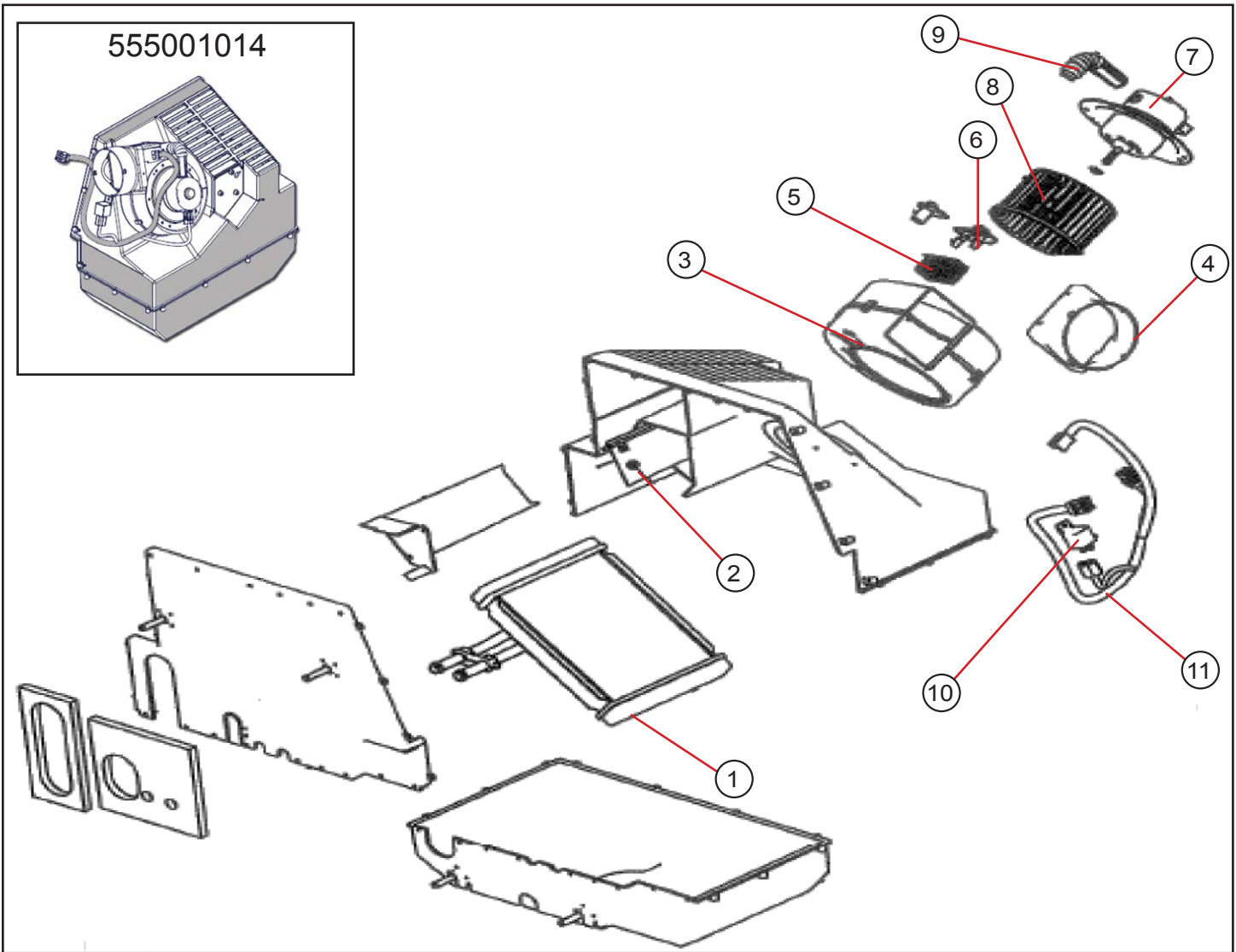
ITEM #	PART #	DESCRIPTION	QTY.	UNIT
1	148057200	BUMPER REAR WELDMENT	1	EA
2	62557135	BRACE BUMPER STEEL .75" SCH-40X24.44	2	EA
3	89308351	CLIP CHASSIS STEEL .188X2X4.34	4	EA
4	148102400	PROTECTIVE BUMPER RUBBER 1107307X81	3	EA
5	45400504	ADHESIVE ANTI SLIP VINYL 4.5X48 YL	2	EA
6	47009160	FINDER PLS FDR OG X36	1	PR
7	1106120	BOX LICENSE PLATE	1	EA
8	148057201	STEP WELDMENT REAR BUMPER	1	EA
9	003709200	BRACKET BUMPER WELDMENT	2	EA
10	148108400	BRACKET MOUNTING SIGHT ROD	2	EA

FRONT BUMPER SUPPLIED BY CHASSIS MANUFACTURER

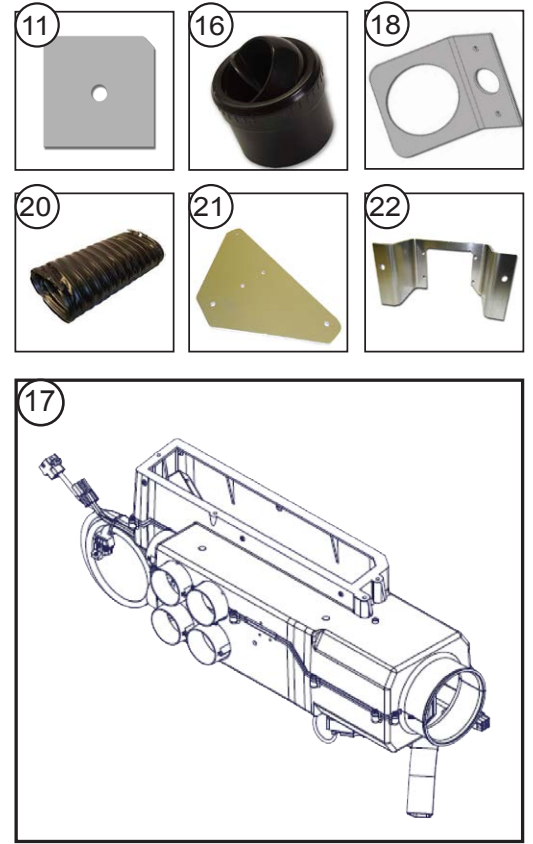
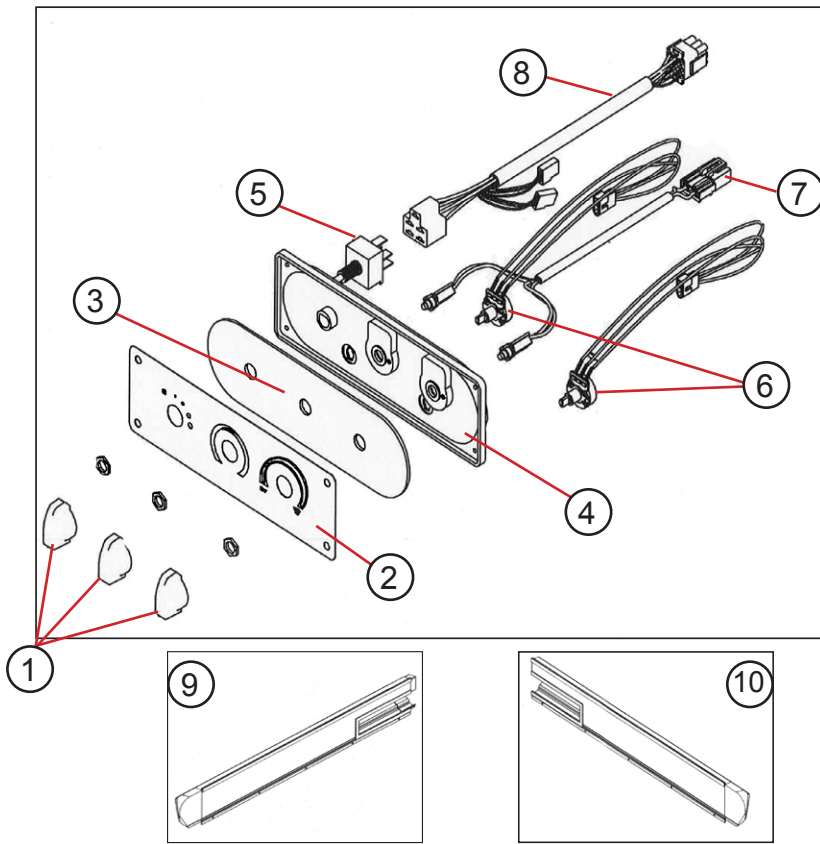
PLEASE CALL FOR ASSISTANCE



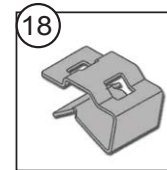
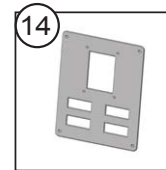
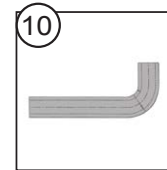
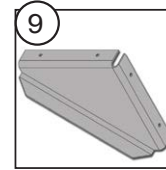
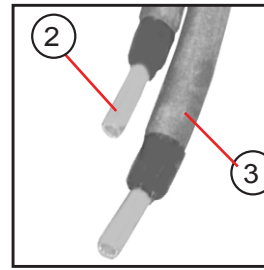
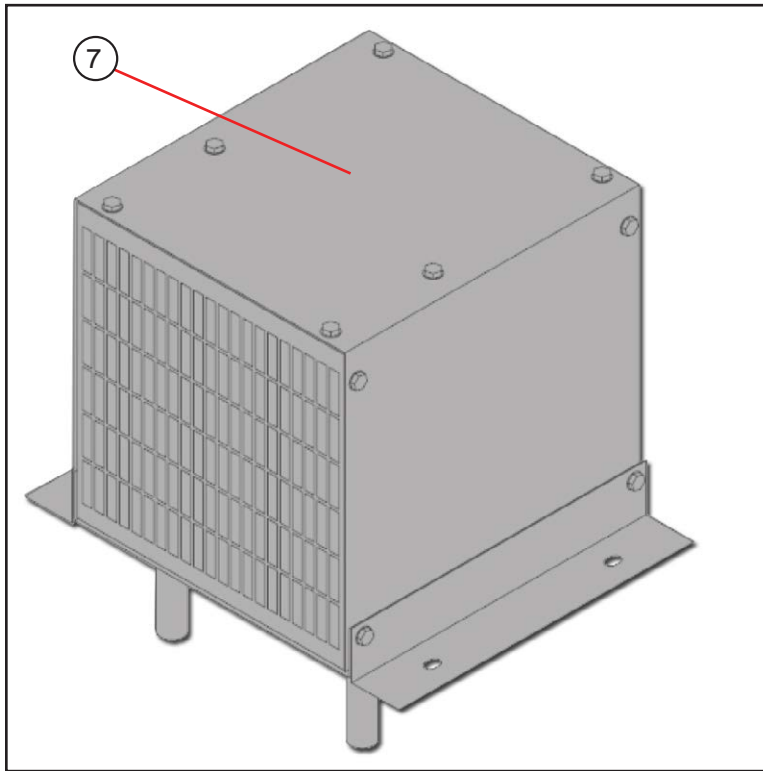
ITEM #	PART #	DESCRIPTION	QTY.	UNIT
1	007151000	MIRROR INSTALLATION	1	PR
2	47005681	HEATED MIRROR ASSEMBLY ROADSIDE	1	EA
3	47005680	HEATED MIRROR ASSEMBLY CURBSIDE	1	EA
4	117363001	WINDSHIELD WIPER INSTALLATION (INCLUDES ITEMS 5,6,7, 8)	1	EA
5	1107122	HOSE .188 ID WSW	12	FT
6	083055454	BRACKET WIPER MOTOR	1	EA
7	1101694	TEE WSWA U/T	1	EA
8	47004188	WIPER SYSTEM TBLR 2 PIVOT	1	EA
9	007363004	WIPER ARM WITH BLADE	1	EA
10	47004134	BLADE 24IN BLACK	1	EA
11	47004186	ARM WSW WET 22IN RADIAL BLACK	1	EA
12	47004137	RSVR W/PUMP WSWA	1	EA
13	003705413	BRACKET MOUNTING RSVR	1	EA
14	46021115	CLIP BODY LARGE PAN	1	EA
15	47005901	NUT	2	EA
16	47005902	PIVOT COVER	2	EA
17	47005903	SPACER	2	EA
18	47005900	MOTOR WINDSHIELD WIPER	1	EA
NS	47005625	NON HEATED MIRROR ROADSIDE (CURBSIDE 47005624) SEE COVER PIC	1	EA



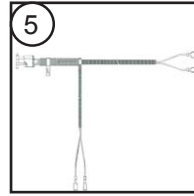
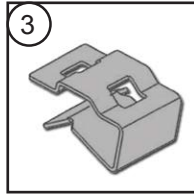
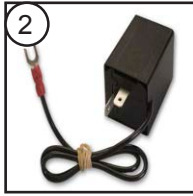
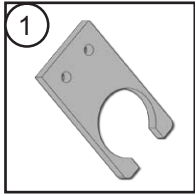
ITEM #	PART #	DESCRIPTION	QTY	UNIT
	555001014	HEATER CORE VCS# 70-07907	1	EA
1	47008760	HEATER COIL W/GASKET & CLAMP	1	EA
2	47008753	DOOR W/SEAL	1	EA
3	47008754	BLOWER HOUSING	1	EA
4	47008755	BLOWER ADAPTER	1	EA
5	47008732	RESISTER CAGE	1	EA
6	47008460	RESISTER	1	EA
7	47008756	BLOWER MOTOR	1	EA
8	47008757	BLOWER WHEEL	1	EA
9	47008730	VENT TUBE	1	EA
10	47008716	RELAY	1	EA
11	47008758	HARNESS	1	EA
NS	47008580	FORMED HEATER HOSE VCS#30-00611	2	EA
NS	555002053	VALVE WAT SCS #70-07754	1	EA
NS	090080004	DUCT FT DUMP SPCL	1	EA
NS	090080401	DUCT FT DUMP SPCL	1	EA



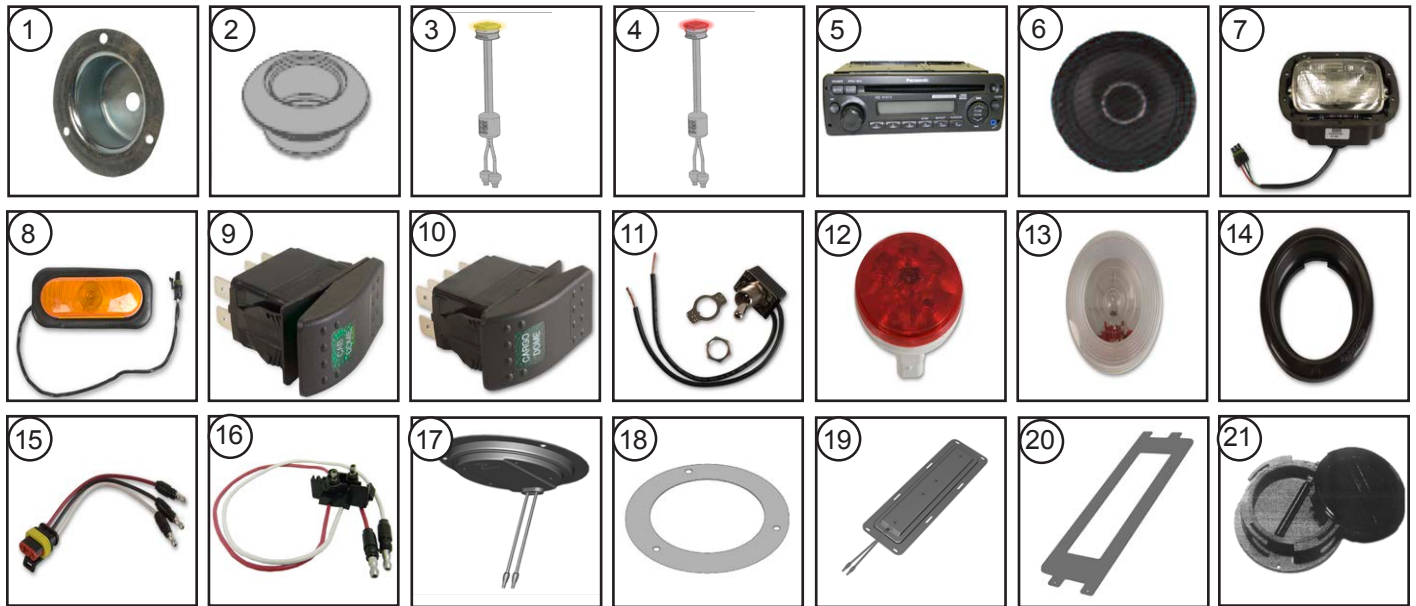
ITEM #	PART #	DESCRIPTION	QTY	UNIT
1	47008706	KNOB	3	EA
2	47008707	DECAL	1	EA
3	47008708	LIGHT PANEL	1	EA
4	47008709	CONTROL PANEL	1	EA
5	47008700	BLOWER SWITCH	1	EA
6	47008710	POTENTIOMETER SWITCH	2	EA
7	47008711	HARNESS W/BULBS	1	EA
8	47008712	HARNESS	1	EA
9	555001719	DEFROST DUCT CURBSIDE	1	EA
10	555001720	DEFROST DUCT ROADSIDE	1	EA
11	093080400	HOLD DOWN PLATE DEFROSTER DUCTS	4	EA
NS	555001523	HOSE DEFROSTER 2.5X16	2	EA
NS	555001524	HOSE DEFROSTER 2.5X30	2	EA
NS	555001525	HOSE DEFROSTER 2.5x38	1	EA
NS	555002003	CLR FRESH SCS #01-06294	1	EA
16	555001715	LUVER BALL	6	EA
17	555001323	DUCT HVAC	1	EA
18	107027405	BRACKET HEATER VENT	1	EA
20	47008232	HOSE HEATER/DEFROSTER 5"X14"	1	EA
21	005780402	MOUNTING PLATE	1	EA
22	002080400	BRACKET HEATER CONTROL AL .102X3X11.67	1	EA



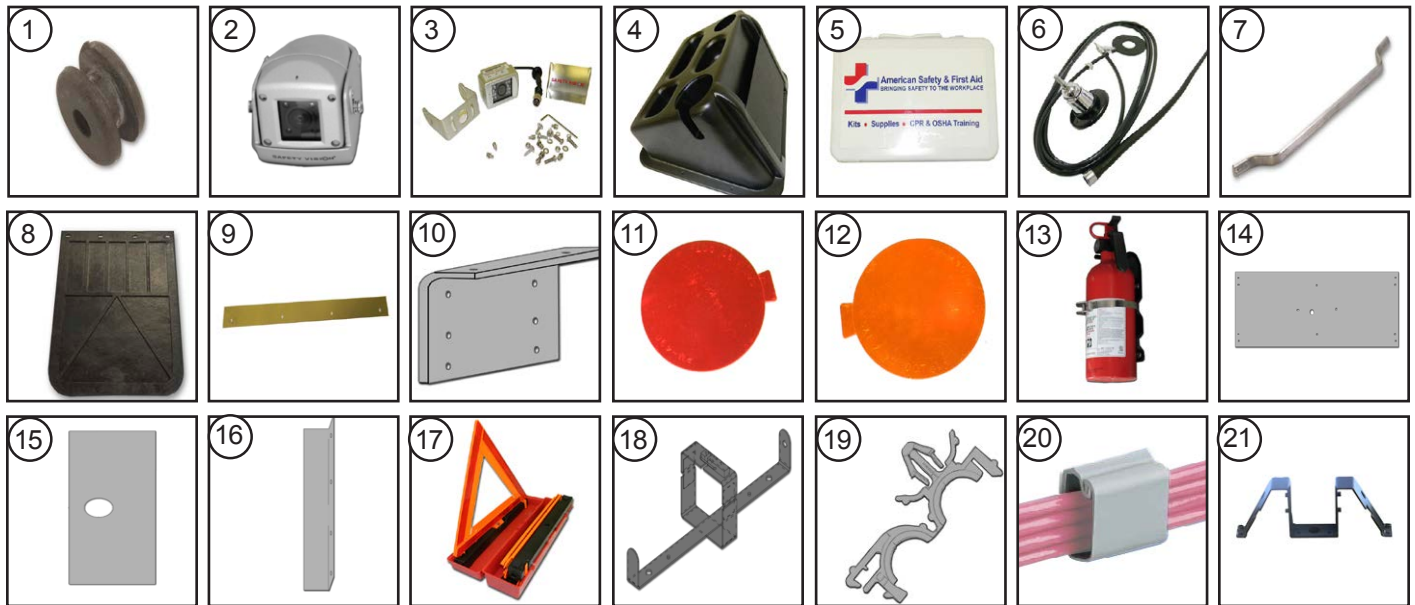
ITEM #	PART #	DESCRIPTION	QTY	UNIT
	007144004	AUXILLARY HEATER INSTALLATION	1	EA
2	44001004	HOSE HEATER HI TEMP .62IDXFT	20	FT
3	1109156	INSULATION HEATER HOSE 1.12DIA XFT	10	FT
4	1111567	CLASP STAINLESS STEEL W/CUSHION 2IN	4	EA
5	46020205	LOOM WR 1ID SPLIT HITEMP	10	FT
6	47008594	CLAMP HEATER HOSE 24MM	10	EA
7	47008587	HEATER AUX 16.6K BTU 2 SPD	1	EA
8	46004416	GROM 1ID .25 MATL THK	2	EA
9	007144400	BRACKET AUX HEATER AL.102X9.54X9.54	2	EA
10	47008580	HOSE HEATER FORMED VCS# 30-00611	2	EA
NS	46021015	CLASP STAINLESS STEEL W/CUSHION 3.00ID	3	EA
ELECTRICAL COMPONENTS FOR AUX HEATER				
12	46023616	SWITCH ROCKER ACTR ONLY AUX HTR	1	EA
NS	46023617	SWITCH ROCKER BASE ONLY SPDT ON-OFF-ON	1	EA
14	083027405	PLATE COVER INSTRUMENT PANEL AL.07X4.98X8.25	1	EA
NS	007388322	HARNESS JUMPER Y 2WR P&P X120	1	EA
NS	007388326	HARNESS JUMPER Y 2WR P&P X72	1	EA
NS	05M279200	HARNESS ROCKER SWITCH	1	EA
18	46021115	CLIP BODY LARGE PAN	1	EA



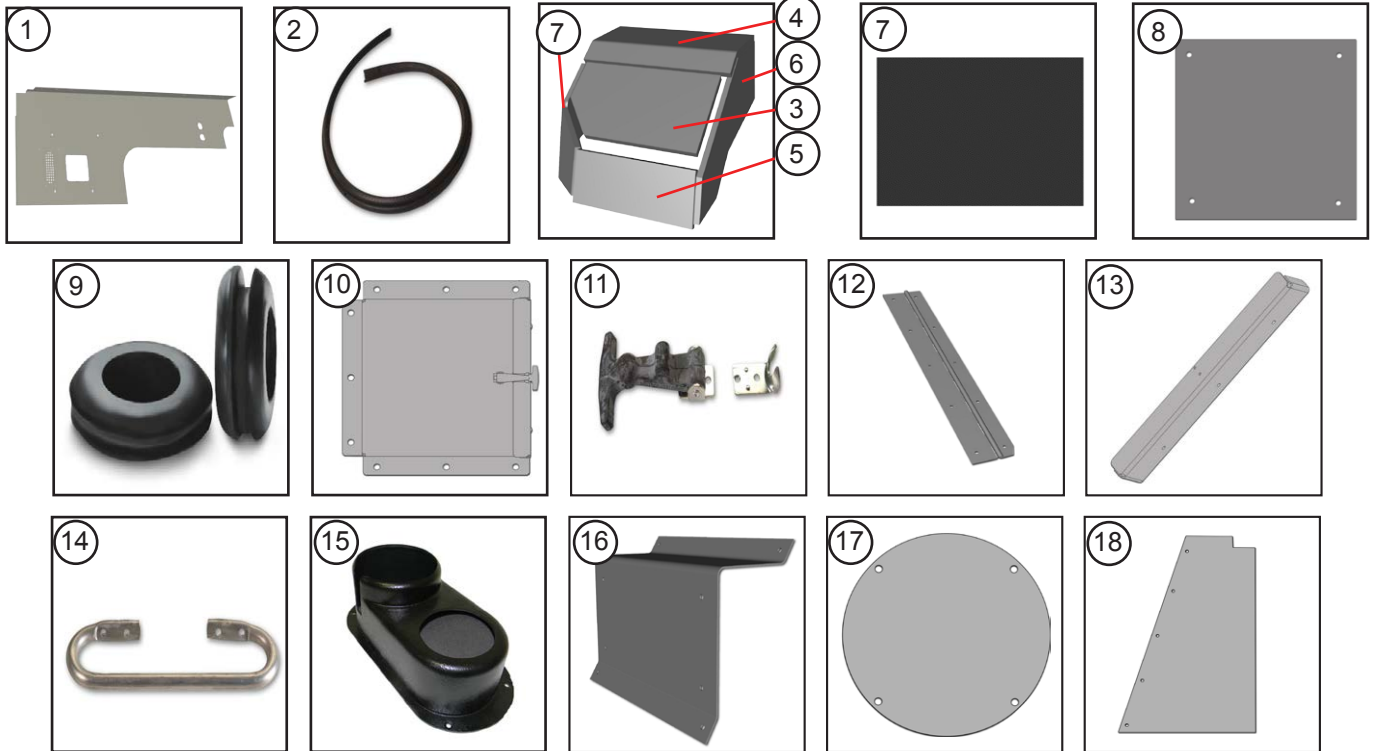
ITEM #	PART #	DESCRIPTION	QTY.	UNIT
1	090087401	FILLER PLATE WIRING	1	EA
2	46026380	FLASHER FOR TTL LED APPLICATIONS	1	EA
3	46021115	CLIP LARGE BODY (SAME AS 005392206)	1	EA
3	46021114	CLIP MEDIUM BODY (SAME APPEARANCE AS ITEM 3)	1	EA
4	48200015	HARNESS - REAR CAMERA TO MONITOR	1	EA
5	46025591	HARNESS - SPEAKER WIRING	1	EA
NS	098085201	HARNESS - HOOD 2009 FCC AL HD	1	EA
NS	007391210	HARNESS - ROOF NOSE	1	EA
NS	128084201	HARNESS - FUSE CENTER	1	EA
NS	098084203	HARNESS - INSTRUMENT PANEL	1	EA
NS	093093201	HARNESS - ROOF 13/16FT6IN	1	EA
NS	007388310	HARNESS - JUMPER 1WR P&P X120	1	EA
NS	120088201	HARNESS - JUMPER 72" 1W (2) .180 BLLT	1	EA
NS	093093205	HARNESS - TRANSOM CHMSL READY	1	EA
NS	118084201	HARNESS - COM CENTER FCC 2011	1	EA
NS	130092202	HARNESS - LICENSE PLATE LAMPS	1	EA
NS	112067202	HARNESS - POWER MAG 100 AIR SEAT SUSPENSION	1	EA
NS	88117510	HARNESS - JUMPER REAR 3WAY LOOSE CONN	1	EA
NS	090087200	HARNESS - REAR ROADSIDE SILL WCC/FCC	1	EA
NS	090087202	HARNESS - REAR CURBSIDE SILL WCC/FCC	1	EA
NS	46010846	HARNESS - BACKUP ALARM	1	EA
NS	090093202	HARNESS JUMPER CRG DOME LAMP	1	EA
NS	093051201	HARNESS - ROCKER SWITCH FOR HEATED MIRRORS	1	EA
NS	48200115	CABLE - MONITOR INTERFACE	1	EA
NS	48200147	CABLE - SIDE CAMERA TO MONITOR 16.5 FT	1	EA
NS	46003017	LAMP INT WIPER	1	EA
NS	128000401	LABEL FUSE BLOCK FCC 2012 CURBSIDE	1	EA
NS	128000402	LABEL FUSE BLOCK FCC 2012 ROADSIDE	1	EA
NS	46023310	SWITCH WIPER INT SGL MTR D/PK W/WASH	1	EA
6	46002434	LAMP LICENSE PLATE (QTY 2)	1	EA
7	46024513	ALARM BACK-UP	1	EA



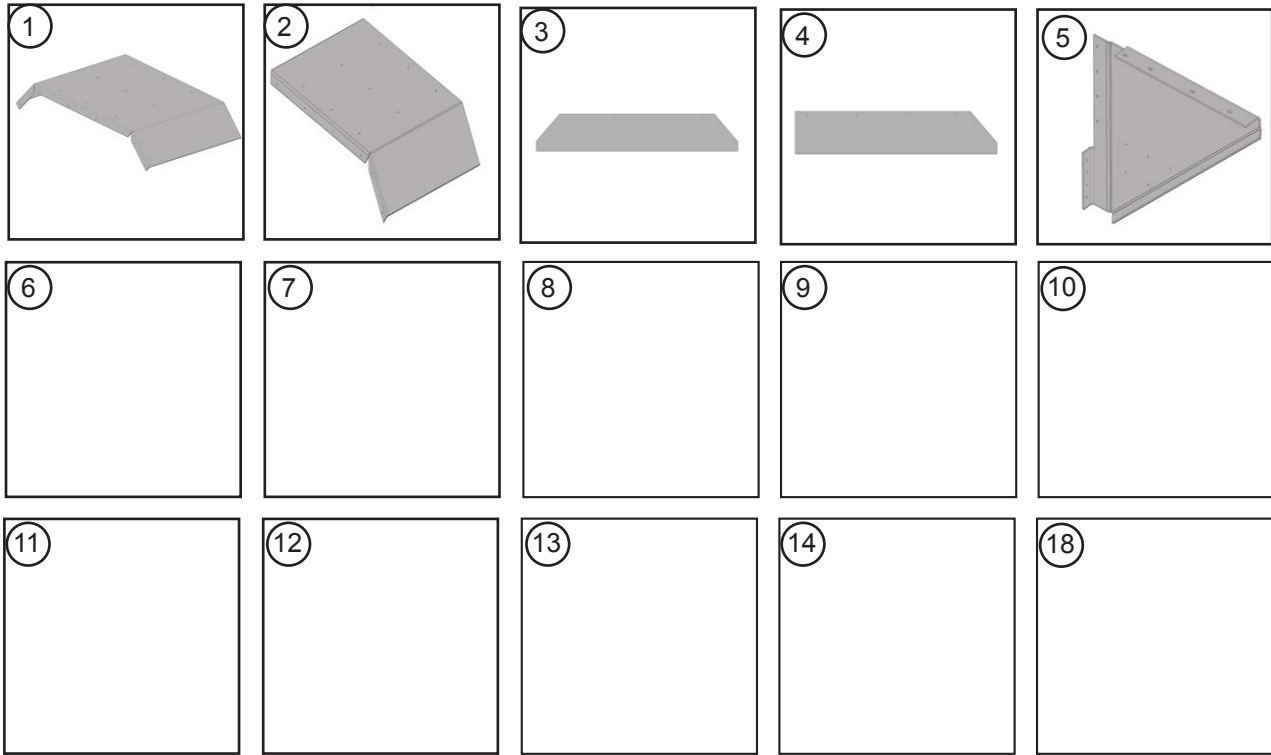
ITEM #	PART #	DESCRIPTION	QTY.	UNIT
1	46022608	CUP SWITCH MOUNTING W/O SWITCH - REAR DOME LAMP	1	EA
2	46001342	GROMMET FOR CLEARANCE MARKERS	1	EA
3	46001339	LAMP CLEARANCE MARKER LED PC - AMBER X7	1	EA
3	46001362	LAMP CLEARANCE MARKER LED PC - AMBER X1	1	EA
4	46001340	LAMP CLEARANCE MARKER LED NO PC - RED X7	1	EA
5	46025594	RADIO AM/FM/WB/RBDS JEN	1	EA
6	46025590	SPEAKER 6.5 IN.	1	PR
7	46000206	HEADLAMP RECTANGLE ASSEMBLY QTY-2	1	EA
8	46000615	LAMP PARK/TURN LED (SHOWN WITH GROMMET 46004403)	1	EA
9	46023508	SWITCH ROCKER CAB DOME SPST ON-OFF	1	EA
10	46023603	SWITCH ROCKER FRONT CARGO DOME SPDT ON-ON	1	EA
11	46022607	TOGGLE SWITCH 3 WAY WITH LEADS - REAR DOME LAMP	1	EA
12	46002222	LAMP RR COMB LED T/L #44302R	1	EA
13	46001406	LAMP B/U SEAL T/L #40244	1	EA
14	46004402	GROMMET 4" ROUND BLACK	1	EA
15	46012046	PIGTAIL STOP/TURN/TAIL LED	1	EA
16	46012048	PIGTAIL BACKUP LED IN	1	EA
17	46002637	LAMP DOME REC LED (3 LOAD / 1 CAB)	1	EA
18	47006065	RING TUBE STEEL 4IN ROUND DOME LAMPS (3 LOAD / 1 CAB)	1	EA
19	46002636	LAMP DOME RECESSED LED	1	EA
20	100092401	BRACKET DOME LAMP	1	EA
21	47009100	DOCUMENT POUCH	1	EA
NS	46024513	ALARM BACK UP	1	EA
NS	46023611	SWITCH ROCKER BASE ONLY SPDT ON-ON	1	EA
NS	46023618	SWITCH ROCKER ACTR ONLY HEATED MIRRORS	1	EA
NS	47006616	CLIP LATCH	3	EA



ITEM #	PART #	DESCRIPTION	QTY.	UNIT
1	1107324	GROMMET	1	EA
2	48200146	CAMERA SD CLR BLT BLIND SPOT RH	1	EA
3	48200043	CAMERA KIT CLR	1	EA
NS	48200114	MONITOR B/U 5.6" CLR LCD DEKIT	1	EA
4	47009626	CENTER CONSOLE CUP HOLDER	1	EA
5	007301001	FIRST AID KIT - DSL/GAS W/O LOGO US RSK	1	EA
6	46025559	ANTENNA TP/SI MITO #10-CAM1CRM0	1	EA
7	98150310	GRAB HANDLE AL 450243X26.38 QTY 2	1	EA
8	1107309	MUD FLAPS 24X36 BLACK NO LOGO 1 PAIR	1	EA
9	7504428	RETAINER MUD FLAPS	1	EA
10	80795014	ANGLE RETAINER MUD FLAPS	1	EA
11	46025017	REFLECTOR RED SPITFIRE 2.88 DIA. X4	1	EA
12	46025018	REFLECTOR AMBER SPITFIRE 2.88 DIA. X2	1	EA
13	47009621	FIRE EXTINGUISHER W/BRACKET & MET STRAP	1	EA
14	100092400	BRACKET DOME LAMP MOUNTING (3 LOAD / 1 CAB)	1	EA
NS	95801001	TIE DOWN KIT	1	EA
15	78331095	PLATE TIE DOWN	1	EA
16	97650306	ANGLE TIE DOWN	1	EA
17	47009547	REFLECTOR KIT - TRIANGLES	1	EA
18	47009548	BRACKET REFLECTOR FLARE KIT	1	EA
19	46021301	CLAMP LOOM PUSH IN QTY-13	1	EA
20	47006615	CLIP WIRE GUIDES .75X.75 (1x1.5 - 47006617)	1	EA
21	98794400	GUARD CAMERA	1	EA
NS	46024513	ALARM BACK UP	1	EA



ITEM #	PART #	DESCRIPTION	QTY.	UNIT
1	093116410	INSULATION DASH WALL	1	EA
2	1107270	SEAL ENGINE BOX LID	8	FT
3	098028401	ENGINE BOX INSULATION 42002056X13.55X28.25	1	EA
4	098005404	ENGINE BOX INSULATION 42002056X14.28X31.29	1	PR
5	098005405	ENGINE BOX INSULATION 42002056X15.09X33.05	1	EA
6	098005406	ENGINE BOX INSULATION 42002056X21.25X30.59	1	EA
7	098005407	ENGINE BOX INSULATION 42002056X19.58X30.72	1	EA
8	135057420	GUARD LAMP REAR AL.102X11.5X13	2	EA
9	44000052	GROMMET	1	EA
10	148126200	STORAGE BOX ASSEMBLY	1	EA
11	1113334	LATCH STORAGE BOX	1	EA
12	148126403	HINGE STORAGE BOX LID	1	EA
13	148126402	LID STORAGE BOX	1	EA
14	90187300	GRAB HANDLE .5DIAX15.7	2	EA
15	42007001	CUP HOLDER	1	EA
16	083125400	BRACKET CUP HOLDER	1	EA
17	148070409	COVER BULKHEAD	1	EA
18	95826321	PANEL SPLASH VNL .125X18X29.31 LH	2	EA
NS	45400484	STRAP DOOR PULL 12" KND#1512	4	EA
NS	45400511	ADHESIVE ANTI SLIP VINYL TREAD 4.5X32 YELLOW	2	EA
NS	007300098	FIC SIDE CART LOADING	1	EA
NS	47106593	SEAL SIDE RUBBER WTG#5377X93	2	EA



ITEM #	PART #	DESCRIPTION	QTY.	UNIT
1	148026400	SPLASH PAN	1	EA
2	148026401	SPLASH PAN	1	FT
3	148026402	SPLASH PAN	1	EA
4	148026403	SPLASH PAN	1	EA
5	148053410	GUSSET BACK	1	EA
NS	148053411	GUSSET BACK	1	EA
7				EA
8				EA
9				EA
10				EA
11				EA
12				EA
13				EA
14				EA
15				EA
16				EA
17				EA
18				EA