



**PARTS CATALOG
2016**



2016 MORGAN OLSON BODY
2016 FREIGHTLINER MT45 CHASSIS

JV001352
16' x 93W" x 85H"



PUBLISHED 06.2016
1.800.233.4823
WWW.MORGANOLSON.COM



TABLE OF CONTENTS & CATALOG APPLICATION GUIDE	2
INTRODUCTION	3
CAB & ENGINE BOX	4
STEPS	5
WINDSHIELD	6
INSTRUMENT PANEL	7
HOOD	8-9
SEATS	10
FLOOR	11
SIDES	12-13
ROOF	14
REAR	15
SIDE DOOR	16
SIDE DOOR POCKET	17
ROLL UP WINDOW	18
BULKHEAD	19
REAR DOORS	20-21
STIFFENERS	22
BUMPERS	23
MIRRORS & WINDSHEILD WIPERS	24-25
HEATER	26-27
MISCELLANEOUS	28-29
BATTERY BOX	30
WALK-IN VAN COMMON FASTENERS	31-35
ELECTRICAL	36-37
WIRING DIAGRAMS	38-57

THIS CATALOG APPLIES TO THE FOLLOWING SNAP ON LDV VEHICLES

4UZAAPDU7HCHV2147	4UZAAPDU2HCHV2167	4UZAAPDU7HCHV2181
4UZAAPDU9HCHV2148	4UZAAPDU4HCHV2168	4UZAAPDU9HCHV2182
4UZAAPDU0HCHV2149	4UZAAPDU6HCHV2169	4UZAAPDU0HCHV2183
4UZAAPDU7HCHV2150	4UZAAPDU2HCHV2170	4UZAAPDU2HCHV2184
4UZAAPDU9HCHV2151	4UZAAPDU4HCHV2171	4UZAAPDU4HCHV2185
4UZAAPDU0HCHV2152	4UZAAPDU6HCHV2172	4UZAAPDU6HCHV2186
4UZAAPDU2HCHV2153	4UZAAPDU8HCHV2173	4UZAAPDU8HCHV2187
4UZAAPDU4HCHV2154	4UZAAPDUXHCHV2174	4UZAAPDUXHCHV2188
4UZAAPDU6HCHV2155	4UZAAPDU1HCHV2175	4UZAAPDU1HCHV2189
4UZAAPDU8HCHV2156	4UZAAPDU3HCHV2176	4UZAAPDU8HCHV2190
4UZAAPDU5HCHV2163	4UZAAPDU5HCHV2177	4UZAAPDUXHCHV2191
4UZAAPDU7HCHV2164	4UZAAPDU7HCHV2178	4UZAAPDU6HCHV2205
4UZAAPDU9HCHV2165	4UZAAPDU9HCHV2179	4UZAAPDU8HCHV2206
4UZAAPDU0HCHV2166	4UZAAPDU5HCHV2180	

This parts guide contains illustrations and part numbers for Snap On package delivery cars and applies to bill of material # JV001352 produced in 2016.

This book has been divided into chapters. Each chapter has illustrations with part numbers and descriptions. When possible, each part is pointed out to help identify it. Orientation references are from the rear of the vehicle facing forward. LH (LEFT HAND) is roadside and RH (RIGHT HAND) is curb-side.

Optional parts assemblies may be included in product illustrations that were not installed as part of the original vehicle order.

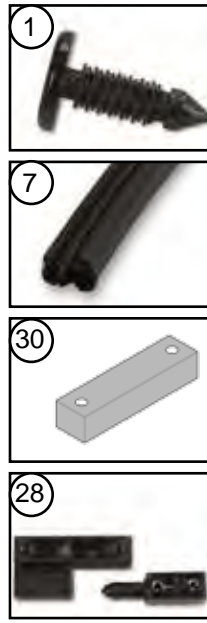
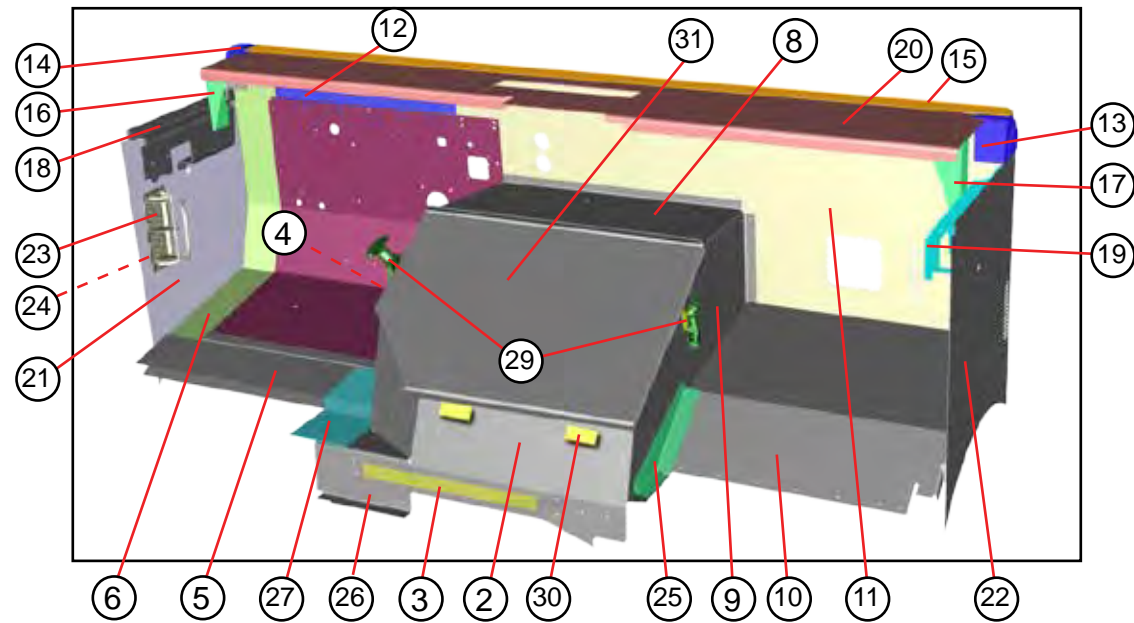
Procedure to Order Parts

1. Depending on the part desired, turn to the appropriate section.
2. Locate the desired part on the illustration page(s) and note it's part number.
3. Contact a Morgan Olson Service Parts Representative. Have part numbers readily available.
4. When placing orders, specify vehicle VIN number.
5. For roll-up door parts, please have door serial number available.

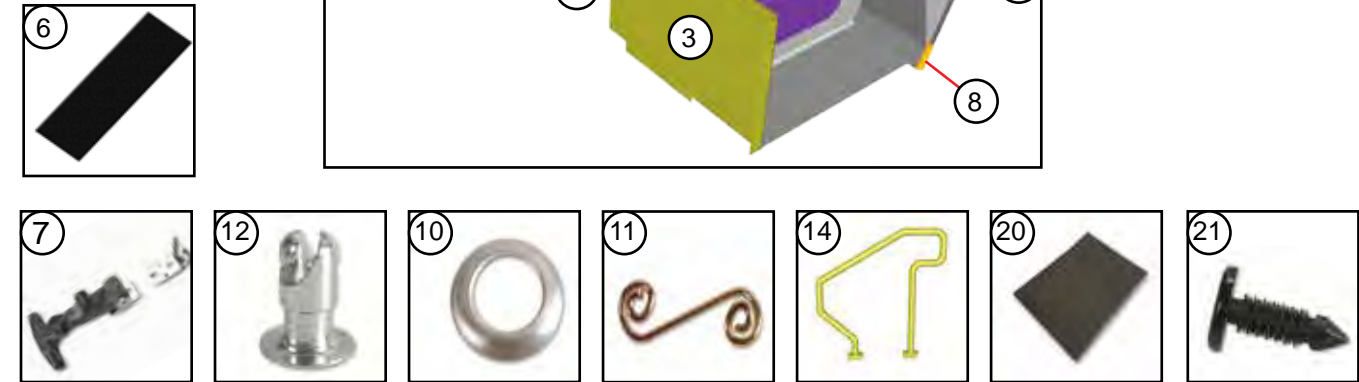
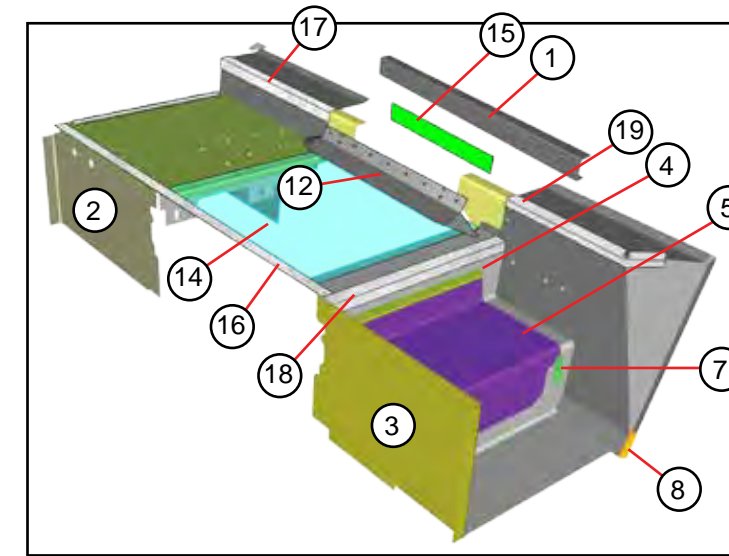
FOR WARRANTY INFORMATION CALL 1-800-262-3437

ANY QUESTIONS OR CONCERNS SHOULD BE DIRECTED TO YOUR SERVICE PARTS REPRESENTATIVE AT
1-800-233-4823

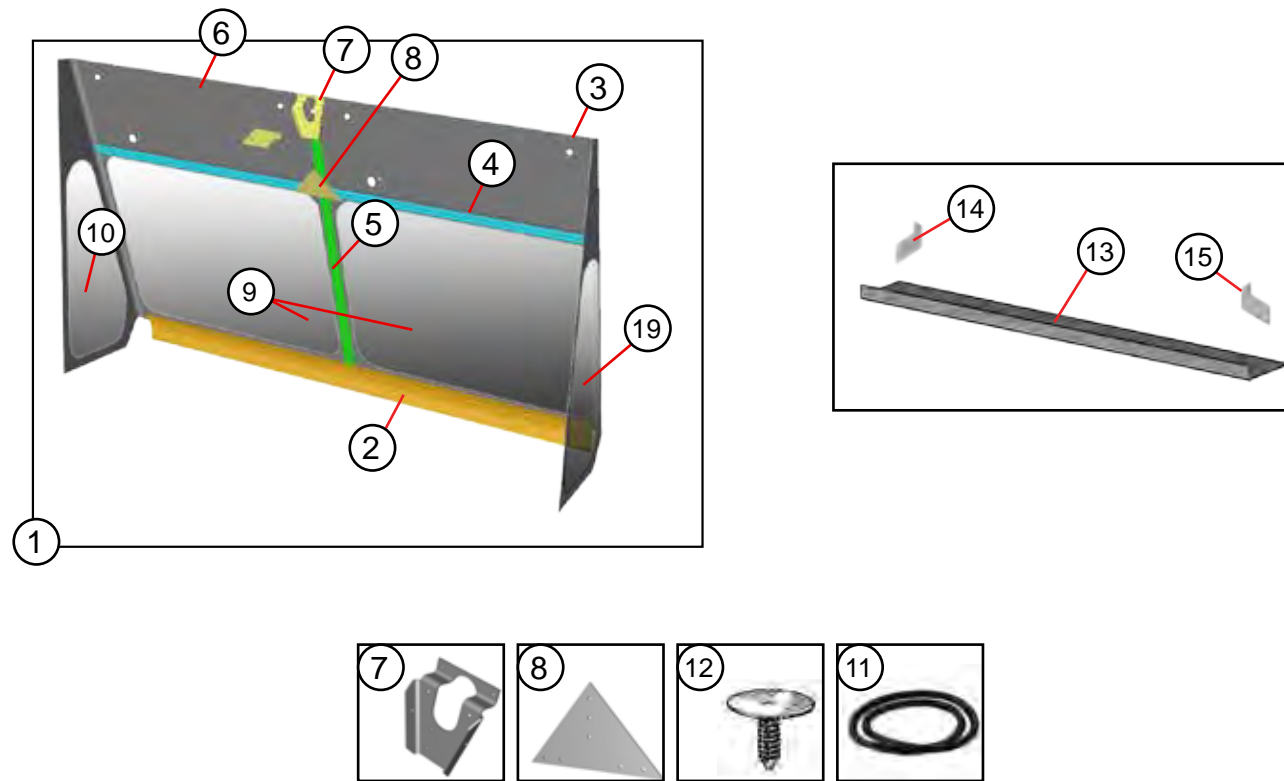
At Morgan Olson, our quest for quality and safety is ongoing and therefore the specifications on the product described herein may vary over time. Please contact Morgan Olson for the latest product information and available safety features and options.



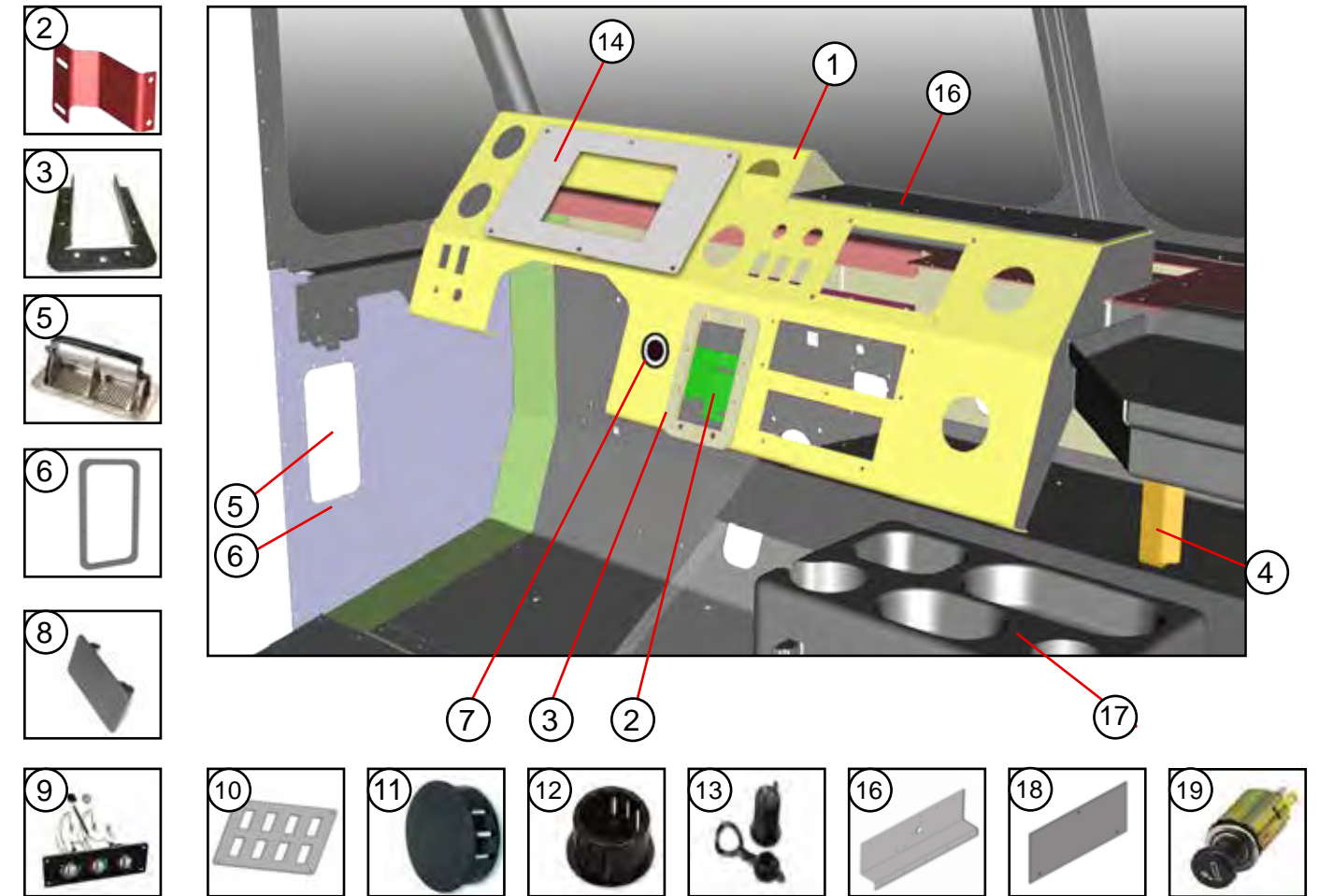
ITEM #	PART #	DESCRIPTION	QTY.	UNIT
1	47006630	CLIP PLASTIC ROUND/HEAD 1.32-1.34	27	EA
2	098005502	ENGINE BOX SADDLE AL .125X19.69X32.66	1	EA
3	077050402	SHIM AL .25X1.62X20.8	1	EA
4	098005503	ENGINE BOX SIDE ROADSIDE AL .102X21.24X27.96 LH	1	EA
5	077050423	TOE BOARD ROADSIDE AL .125X8.7X33.53 LH	1	EA
6	077050419	TOE BOARD DASH ROADSIDE AL .125X7.62X42.1 LH	1	EA
7	1107270	SEAL TRIM RUBBER	8	FT
8	098005400	ENGINE BOX TOP AL .125X15.86X32.75	1	EA
9	098005501	ENGINE BOX HOUSING AL .102X20.85X32.55 RH	1	EA
10	098005462	DASH PANEL AL .102X29.44X28	1	EA
11	098005472	DASH WALL CURBSIDE AL .125X25.9X62.92	1	EA
12	077050408	DASH WALL ROADSIDE AL .125X8.84X27.25	1	EA
13	8502001	CORNER CASTING CURBSIDE	1	EA
14	8502000	CORNER CASTING ROADSIDE	1	EA
15	083023402	WINDSHIELD RAIL AL 851100X89	1	EA
16	083005418	SUPPORT RAIL ROADSIDE AL .102X5.74X8.27 LH	1	EA
17	083005419	SUPPORT RAIL CURBSIDE AL .102X5.74X8.27 RH	1	EA
18	077050400	STIFFENER ROADSIDE AL .125X10.93X17.81 LH	1	EA
19	077050401	STIFFENER CURBSIDE AL .125X10.93X17.81 RH	1	EA
20	093005512	DASH SHELF AL .125X13.74X89	1	EA
21	093005421	CAB SKIRT ROADSIDE AL .070X27.28X30.57 LH	1	EA
22	108005401	CAB SKIRT CURBSIDE AL .070X27.28X30.57 RH	1	EA
23	47008545	VENT 2 WAY HINGLESS	1	EA
24	47008548	VENT GASKET	1	EA
25	077050406	GUSSET TOE BOARD CURBSIDE AL .125X5.33X14.88 RH	1	EA
26	077050411	FILLER SADDLE AL .125X11.79X14.49	1	EA
27	077050446	HEEL SCUFF PLATE ALD .125X7X13.38	1	EA
28	47007859	HINGE OFFSET	2	EA
29	1113336	LATCH	2	EA
30	117028400	SHIM ENGINE BOX	2	EA
31	118028400	LID ENGINE BOX AL .102X20.28X34.23	1	EA



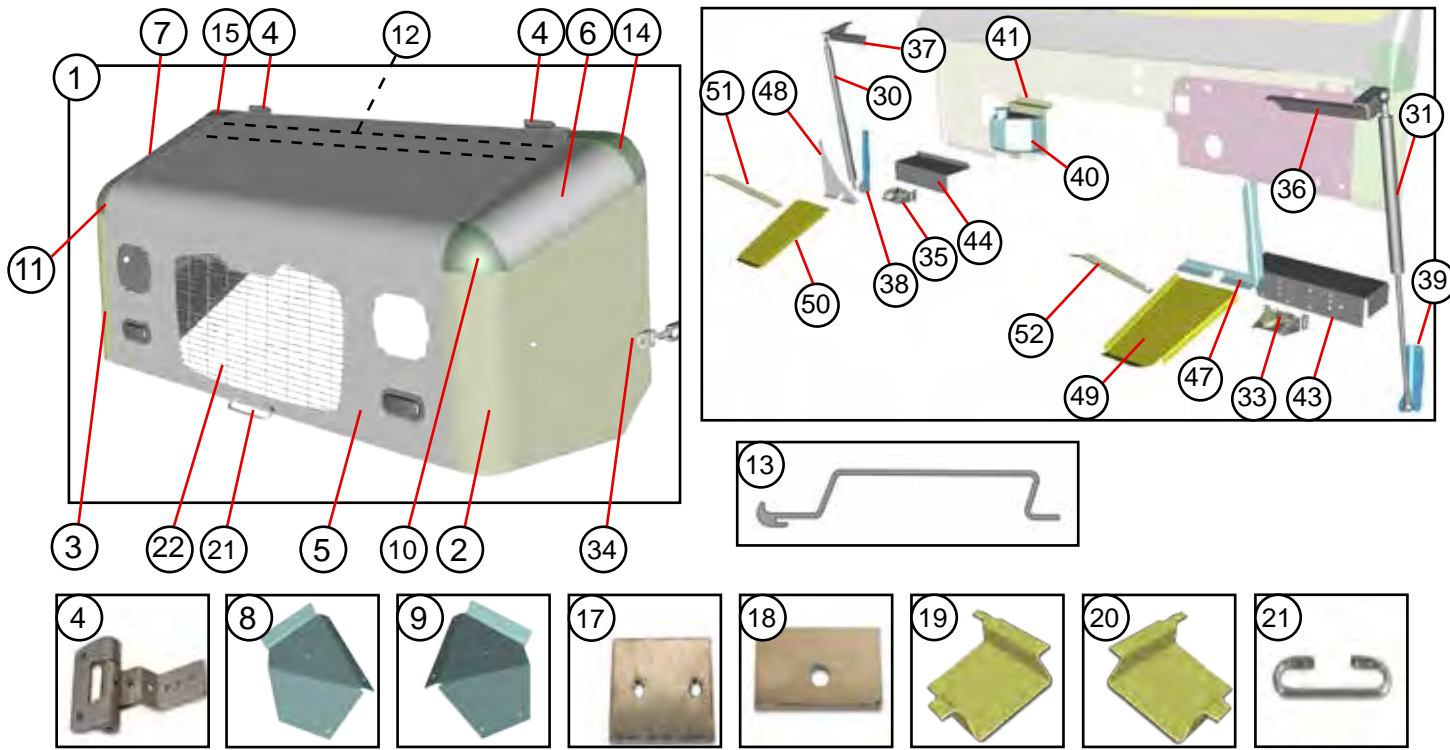
ITEM #	PART#	DESCRIPTION	QTY.	UNIT
1	077240400	CROSS MEMBER CENTER AL 456106X41	1	EA
2	088024246	STEP ASSEMBLY CAB ROADSIDE	1	EA
3	098024202	STEP ASSEMBLY CAB CURBSIDE	1	EA
4	006324498	HINGE AL .075X1.12X1.75X21	1	EA
5	107024419	LID BATTERY ALD .125X22.25X24.82	1	EA
6	96724608	PAD DAMPENING 45200007X9X20	1	EA
7	1113334	LATCH STRAP	2	EA
8	084024415	RISER CORNER AL .125X3.5X3.61	1	EA
9	40900080	STUD	4	EA
10	40900081	GROMMET HALF	4	EA
11	40900082	SPRING	4	EA
12	077024402	ANGLE TRIM FLOOR AL .102X6.35X38.7	1	EA
13	108024201	FLOOR TRANSVERSE WELDMENT	1	EA
14	47001053	GRAB RAIL FIXED YELLOW	1	EA
15	077050402	SHIM AL .25X1.62X20.8	1	EA
16	083019413	TRIM MAT @ O/LN ALD .08X2.29X63.41	1	EA
17	103019402	TRIM TOEBOARD ALD .08X2.63X30.58 LH	1	EA
18	090019403	TRIM STEP ALD .08X2.69X26.5 RH	1	EA
19	090019401	TRIM TOEBOARD ALD .08X2.69X26.5 RH	1	EA
20	42002055	MAT FLOOR SOUND ABSORBING 60X95	2	EA
21	47006630	CLIP PLASTIC ROUND HEAD	12	EA



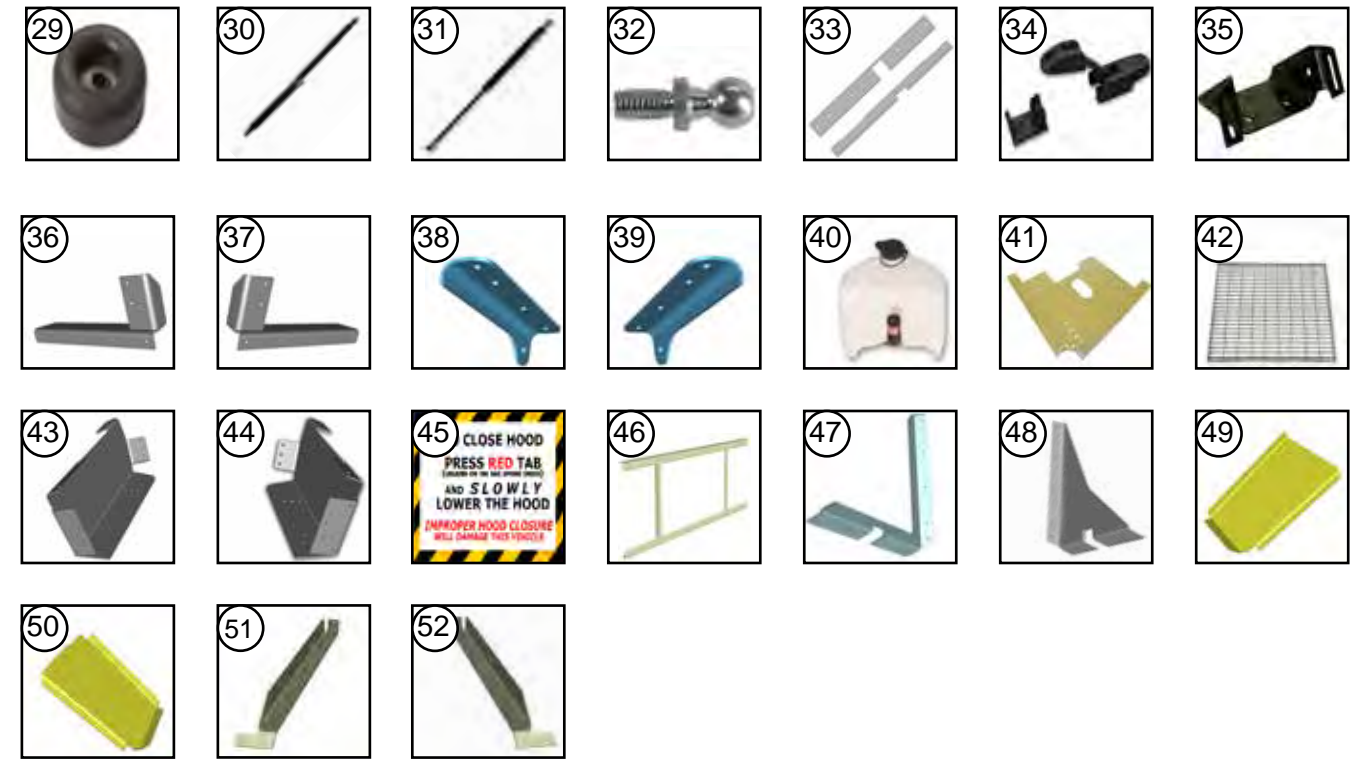
ITEM #	PART #	DESCRIPTION	QTY.	UNIT
1	088055204	WINDSHIELD ASSEMBLY 85H93W NO VENT	1	EA
2	083023402	WINDSHIELD RAIL 93W AL 851100X89	1	EA
3	088055406	FRAME WINDSHEILD CURBSIDE AL .102X53.45X70.25	1	EA
4	077055404	STIFFNER W/S AL 450540X44.25	2	EA
5	077055401	POST W/S CENTER AL 450540X44.84	1	EA
6	088055405	FRAME WINDSHEILD ROADSIDE AL .102X53.45X69.95	1	EA
7	077055402	GUSSET FRAME W/S AL .125X6.49X7.27	1	EA
8	998555329	GUSSET FRAME W/S AL .125X4.6X9.19	1	EA
9	96756400	GLASS WINDSHIELD	2	EA
10	006756400	GLASS SIDE TRIANGLE	2	EA
11	44004303	WEATHER STRIPPING 1660 X147.5	2	EA
11	44004309	WEATHER STRIPPING 1660 X86.25	2	EA
12	47006610	PUSH-IN CLIP	32	EA
13	117076400	SHELF OVERHEAD STORAGE AL .102X14.8X87.9	1	EA
14	117076401	BRACKET MOUNTING AL .102X2X4.96 LH	1	EA
15	117076402	BRACKET MOUNTING AL .102X2X4.96 RH	1	EA



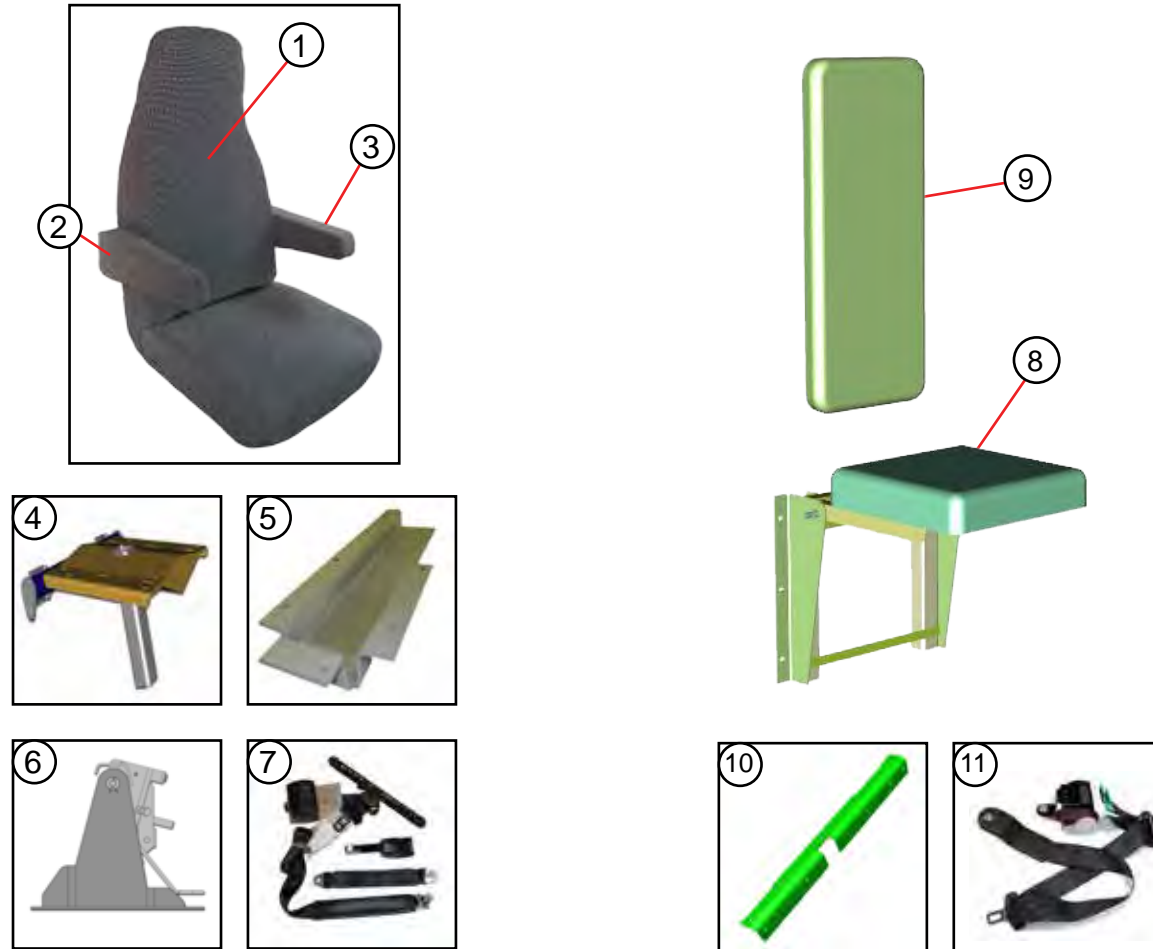
ITEM #	PART #	DESCRIPTION	QTY.	UNIT
1	088027200	INSTRUMENT PANEL WELDMENT	1	EA
2	107027403	BRACE I/P AL .102X3.75X8.43	1	EA
3	002027423	BRACKET SHIFTER STL 11GAX4.87X6.43	2	EA
4	093027402	BRACKET STIFFENER AL .125X1.91X12.66	1	EA
5	47008545	VENT 2 WAY HINGLESS	1	EA
6	47008548	GASKET VENT	1	EA
7	006327202	SPACER IGNITION SWITCH AL .102X1.5X1.5	1	EA
8	46023506	PLUG HL ROCKER SWITCH BLACK	3	EA
9	555001416	PANEL CONTROL HVAC	1	EA
10	098027406	PLATE COVER INSTRUMENT PANEL AL .102X4.98X8.25	1	EA
11	44000119	PLUG HL BLACK	1	EA
12	1111513	PLUG HL BLACK	1	EA
13	46026378	RECEPTACLE 12V POWER W/TETHER SS BODY	2	EA
14	098027402	PLATE ADAPTOR AL .102X8.25X16	1	EA
15	47000100	SHELF AL. WORK STATION 30"	1	EA
16	088027413	I/P END CENTER AL .102X8.4X18.5	1	EA
17	47009653	CENTER CONSOLE BLACK	1	EA
18	107027406	PLATE COVER I/P AL .07X3.63X7.75	1	EA
19	46026366	LIGHTER 12V	1	EA



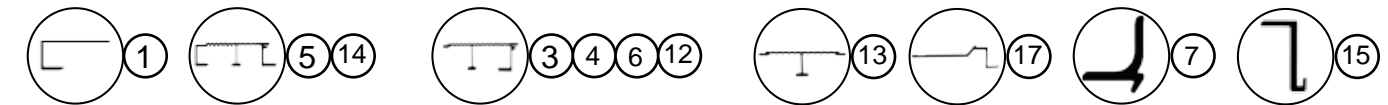
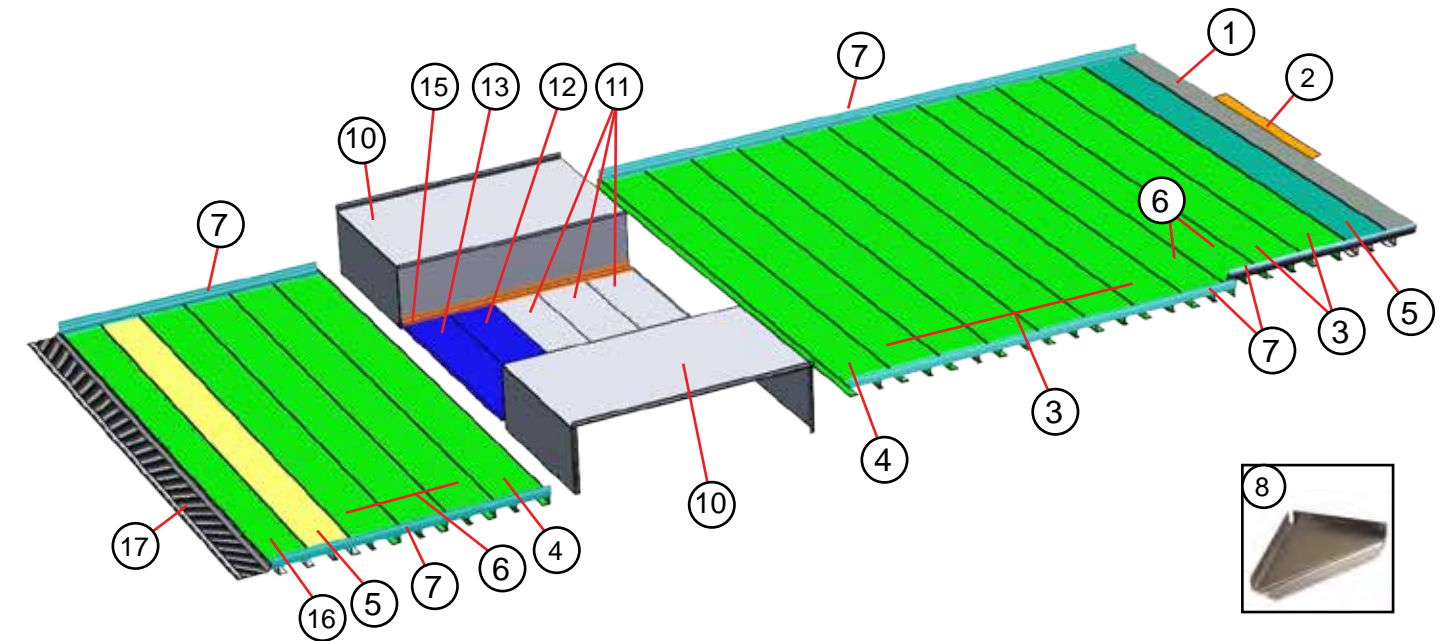
ITEM #	PART #	DESCRIPTION	QTY.	UNIT
1	118017202	HOOD ASSEMBLY	1	EA
2	088017414	HOOD SKIRT AL .07X30.78X33.11 ROADSIDE	1	EA
3	088017415	HOOD SKIRT AL .07X30.78X33.11 CURBSIDE	1	EA
4	47007852	HINGE ASSEMBLY	2	EA
5	108017401	PANEL HOOD FCC AL.07X53.36X72	1	EA
6	088017416	COWL HOOD ROADSIDE AL .07X15.91X22.28	1	EA
7	088017417	COWL HOOD CURBSIDE AL .07X15.91X22.28	1	EA
8	95817312	GUSSET CORNER ROADSIDE AL .07X13.52X14.72	1	EA
9	95817313	GUSSET CORNER CURBSIDE AL .07X13.52X14.72	1	EA
10	45100057	CORNER CAST KNEE COWL FRONT ROADSIDE	1	EA
11	45100058	CORNER CAST KNEE COWL FRONT CURBSIDE	1	EA
12	088017420	STIFFENER HOOD AL 450015X68.62	1	EA
13	45001500	BRACKET HOOD AL HD X69.77	1	EA
14	45100060	CAP COWL END ROADSIDE	1	EA
15	45100061	CAP COWL END CURBSIDE	1	EA
17	91617304	PLATE TAP AL .188X2X2.69	2	EA
18	96717312	SHIM AL .125X.62X1.88	2	EA
19	115017403	STIFFENER HOOD ROADSIDE	1	EA
20	115017404	STIFFENER HOOD CURBSIDE	1	EA
21	90187300	GRAB HANDLE .5DIA X15.7	1	EA
22	45700101	MESH GRILLE 20.5X38.81	1	EA
NS	088017423	ANGLE SUPPORT GRILLE 450186X69.62	1	EA
NS	088017421	SUPPORT GRILLE ANGLE 450180X22.8	2	EA
NS	088017441	ANGLE HORZ 450186X69.62	1	EA
NS	44004077	SEAL TAPE #1458BTXFT	4.42	FT



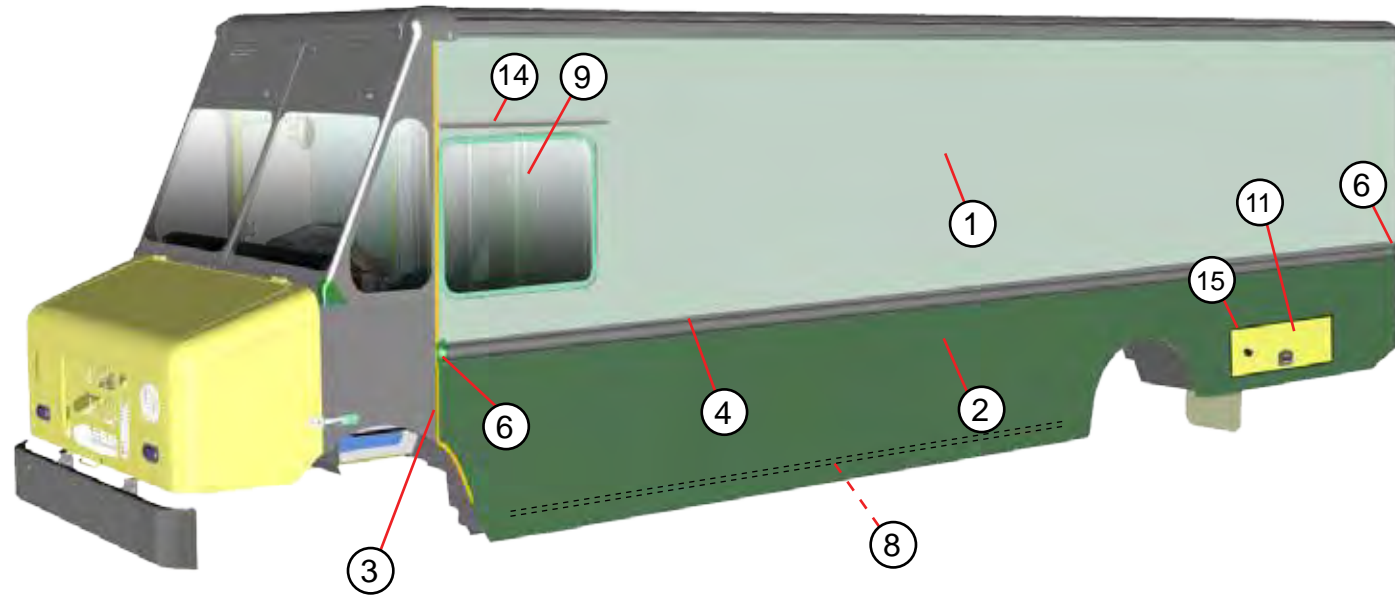
ITEM #	PART #	DESCRIPTION	QTY.	UNIT
29	44002004	BUMPER RUBBER HOOD REST	2	EA
30	47006116	GAS SPRING WITH LOCK 140LB 20/12 IGS	1	EA
31	47006117	GAS SPRING WITH OUT LOCK 140LB 20/12 IGS	1	EA
32	40900019	STUD BALL SUSPENSION	4	EA
33	96713300	STOP ANGLE HOOD REST	2	EA
34	47000613	LATCH HOOD	2	EA
35	077150400	BRACKET SUPPORT HOOD REST	2	EA
36	124016401	BRACKET GAS SPRING AL.125X3.6X16.48 ROADSIDE	1	EA
37	124016402	BRACKET GAS SPRING AL.125X3.6X16.48 CURBSIDE	1	EA
38	124016403	BRACKET HOOD LOWER AL.188X2.85X6.4 CURBSIDE	1	EA
39	124016404	BRACKET HOOD LOWER AL.188X2.85X6.4 ROADSIDE	1	EA
40	47004137	WASHER BOTTLE WITH PUMP	1	EA
41	003705413	WASHER BOTTLE MOUNTING PLATE	1	EA
42	45700101	MESH GRILLE 20.5X38.81	1	EA
43	077260400	SPLASH PAN ROADSIDE	1	EA
44	077260404	SPLASH PAN CURBSIDE	1	EA
45	43000903	HOOD PROPER INSTRUCTIONS LABEL	1	EA
46	088017255	SUPPORT ASSEMBLY GRILLE	1	EA
47	088017433	SUPPORT SPLASH PAN AL .102X16.07X16.83	1	EA
48	088017436	SUPPORT SPLASH PAN AL .102X16.07X16.83	1	EA
49	088017427	SPLASH PAN AL .102X19.43X26.95 ROADSIDE	1	EA
50	088017430	SPLASH PAN AL .102X19.93X26.95 CURBSIDE	1	EA
51	088017437	STRAP AL .125X2.98X25.76 ROADSIDE	1	EA
52	088017438	STRAP AL .125X2.98X25.76 CURBSIDE	1	EA



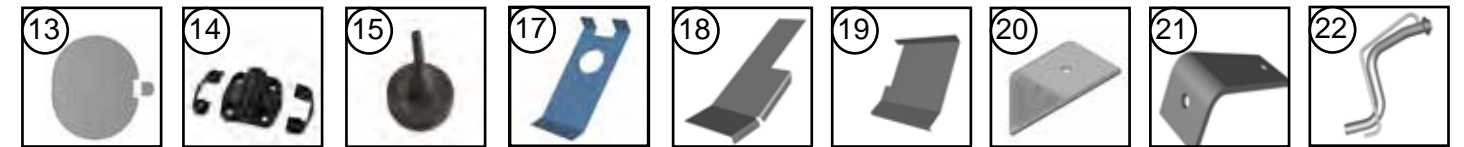
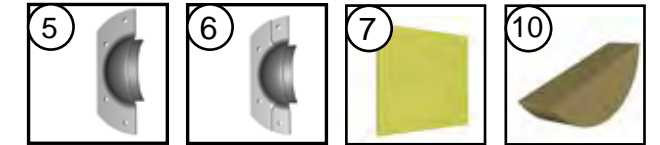
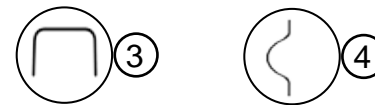
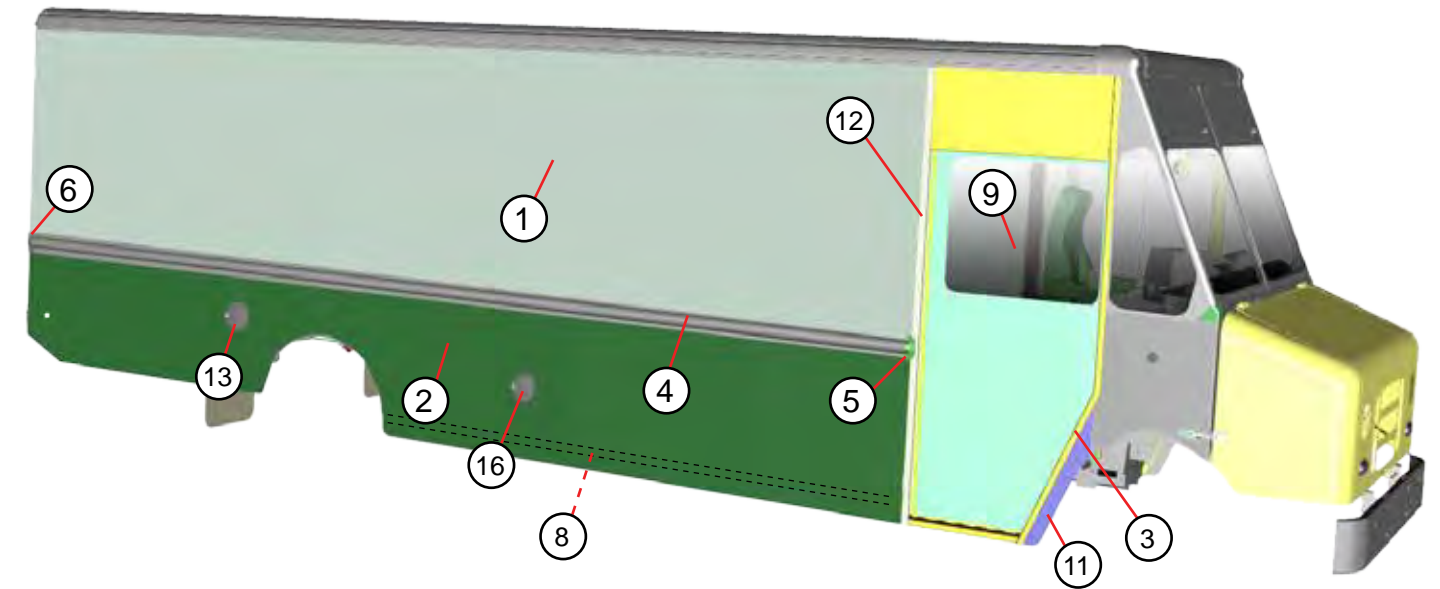
ITEM #	PART #	DESCRIPTION	QTY.	UNIT
1	47004656	SEAT DRIVER CLOTH LUMBAR	2	EA
2	47011201	ARM REST SEAT 3PNT RH	1	EA
3	47011200	ARM REST SEAT 3PNT LH	1	EA
4	47004332	PEDESTAL SEAT UPPER 3PNT/IN FCC	1	EA
5	98M582030	BRACE SUPPORT STEEL 7GAX9.43X23.43	1	EA
6	47012658	SEAT SOC/PEDESTAL BASE FRE 3PNT TILT	1	EA
7	47007914	S/BELT BLACK W/O TEATHERS	1	EA
8	47004348	JUMP SEAT FOLDING	1	EA
9	47004349	BACK REST JUMP SEAT	1	EA
10	91614300	ANGLE FLOOR AL .188X2.84X19.1	1	EA
11	47004504	SEAT BELT BLACK W/O TEATHERS	1	EA



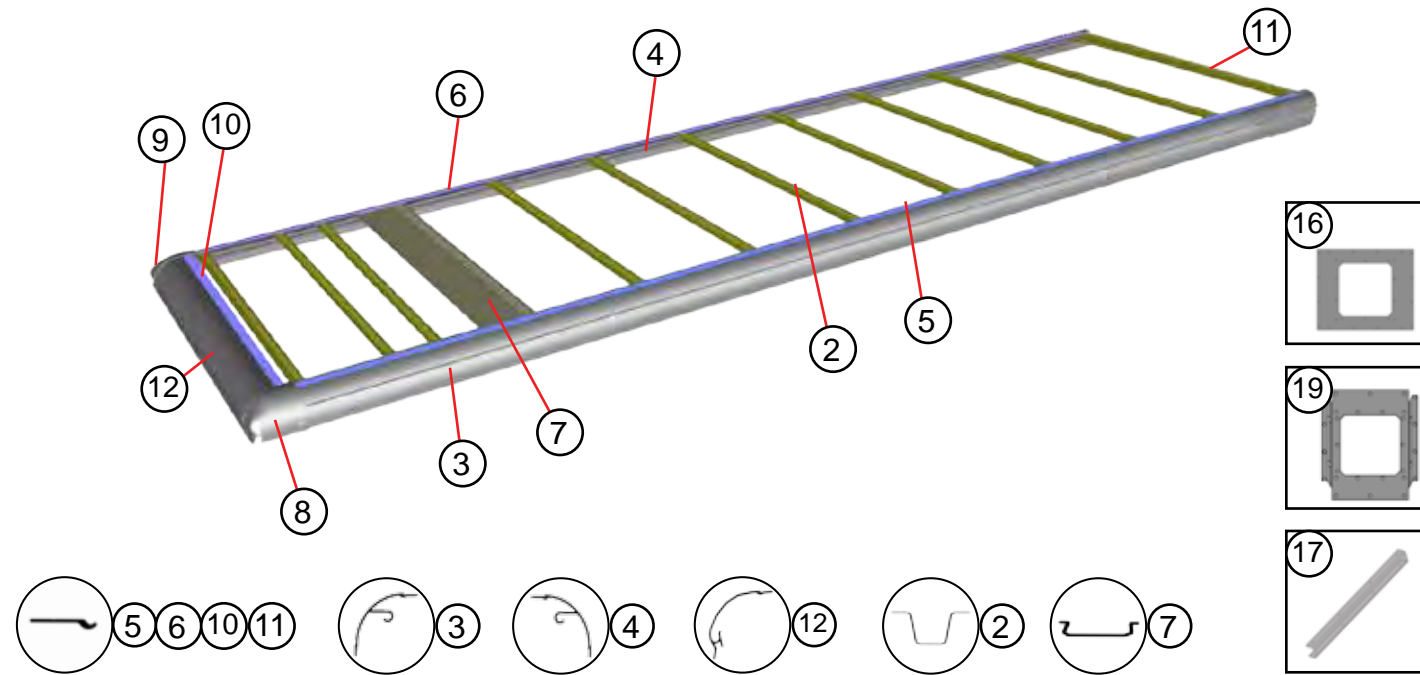
ITEM #	PART #	DESCRIPTION	QTY	UNIT
1	083033509	BEAM @ O LINE	1	EA
2	001730412	ANGLE STEP	1	EA
3	45040103	BEAM AL FLOOR M-FEM 9X89.38 AND 92.38	8	EA
4	45040503	BEAM AL FLOOR M-FEM 8.5X92.38	2	EA
5	45051003	BEAM AL FLOOR FEM-LAP 7X92.38	2	EA
6	45040203	BEAM AL FLOOR M-FEM 8X89.38 AND 92.38	5	EA
7	45030300	ANGLE ATTATCH FLOOR/SIDE	1.81	EA
8	7504176	GUSSET FLOOR TO SIDE AL .102X12.1X12.1	5	EA
9	95869302	ANGLE W/BOX ATTATCH (ROADSIDE SHOWN)	2	EA
10	118032202	WHEEL BOX ASSEMBLY	2	EA
11	06M106008	BEAM FLOOR AL 8X450402X40.62	2	EA
12	95869303	BEAM FLOOR AL 9X450401X40.6	2	EA
13	95869304	BEAM FLOOR AL 8X450407X40.6	1	EA
14	45051003	BEAM FLOOR RIBBED FEMALE/LAP 7X92.25	1	EA
15	03M553071	ANGLE ATTATCH W/BOX	.5	EA
16	088033401	FILLER PLATE AL .125X6.68X92.38	1	EA
17	45059200	DROP SILL	1	EA
18	108012409	PLATE SUPPORT ACCESS COVER AL .125X10.3X13.5	1	EA
19	108012400	COVER ACCESS PLATE AL .125X9.61X11.62	1	EA
20	40900080	STUD ACCESS COVER FASTENER	4	EA
21	40900081	HALF WASHER ACCESS COVER FASTENER	4	EA
22	40900082	SPRING ACCESS COVER FASTENER	4	EA



ITEM #	PART #	DESCRIPTION	QTY	UNIT
1	123046400	SIDE UPPER AL .102X60X242.31 DLH	1	EA
2	168045400	SIDE LOWER AL .102X37.5X242.31 DLH	1	EA
3	088044403	DOOR POST BOTTOM (DOOR POST TOP - 088044402)	1	EA
4	088039327	RUBRAIL AL 450002X238.31 DLH	1	EA
5	1100800	END CAP FORWARD	0	EA
6	1100799	END CAP REAR	2	EA
7	7600165	FILLER PLATE RUBRAIL	1	EA
8	1100486	ANGLE STIFFENER .125X1X1X192	1	EA
9	45800093	GLASS WINDOW ROLL UP	1	EA
10	7504176	GUSSET FLOOR TO SIDE AL .102X12.1X12.1	5	EA
11	130009201	BATTERY BOX ASSEMBLY	1	EA
12	47001498	HANDLE T STAINLESS	1	EA
13	47000921	DOOR HOLDER	1	EA
14	89367380	DRIP RAIL OVER WINDOW AL 450006X35.32	1	EA
15	130009405	HINGE - BATTERY BOX	1	EA



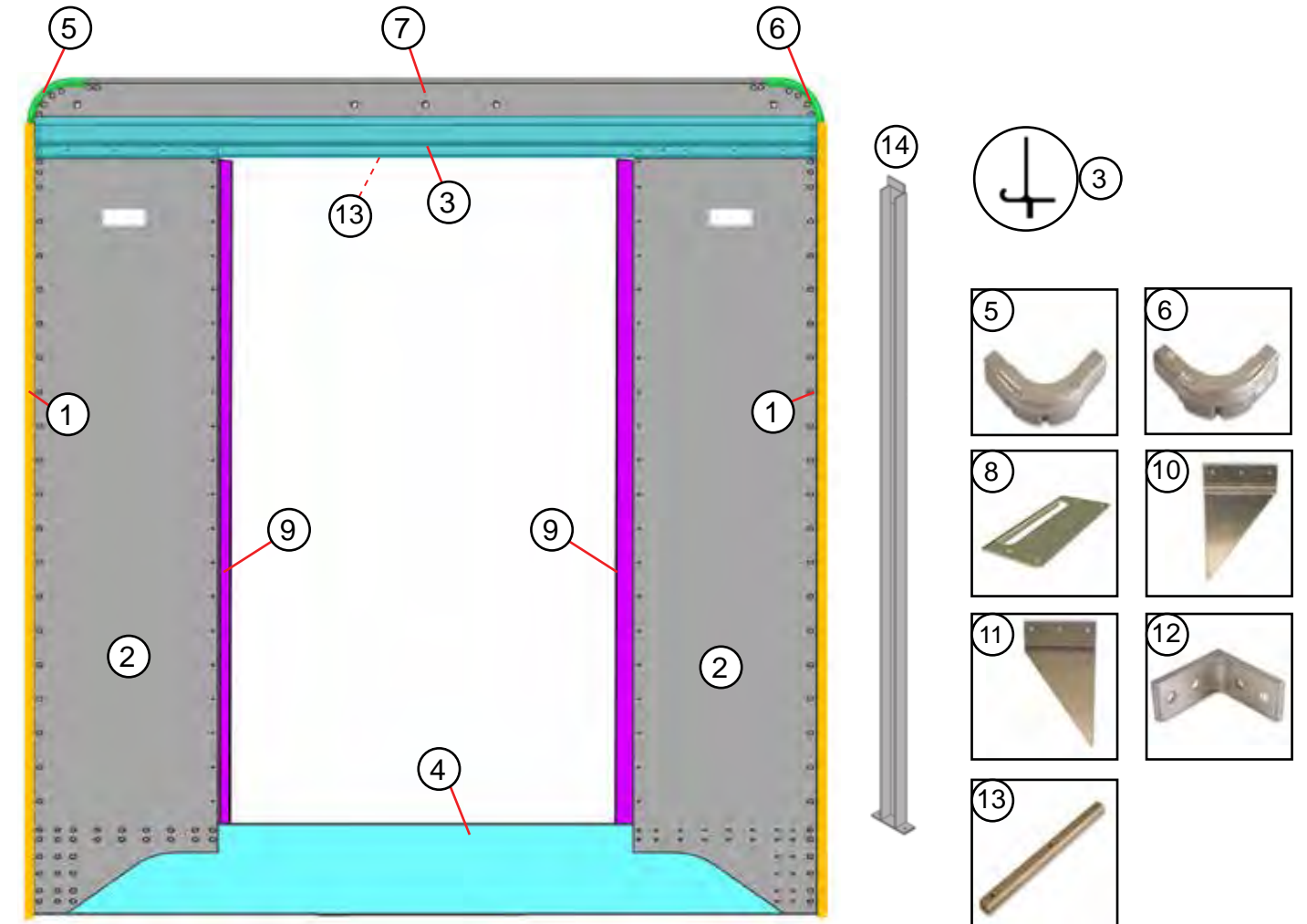
ITEM #	PART #	DESCRIPTION	QTY	UNIT
1	098038405	SIDE UPPER AL .102X60X201.31	1	EA
2	168037400	SIDE LOWER AL .102X37.5X201.31	1	EA
3	088044403	DOOR POST BOTTOM (DOOR POST TOP - 088044404)	1	EA
4	088039305	RUBRAIL AL 450002X197 DLH	1	EA
5	1100800	END CAP FORWARD	1	EA
6	1100799	END CAP REAR	1	EA
7	7600165	FILLER PLATE RUBRAIL	1	EA
8	1100486	ANGLE STIFFENER .125X1X1X192	1	EA
9	45800103	WINDOW SLIDING SASH	1	EA
10	45900001	PLUG WOOD RUB RAIL		EA
11	098022401	SKIRT TAIL CURBSIDE AL .07X5.76X36.83	1	EA
12	077400401	B POST CURBSIDE AL 450274X99.62 RH	1	EA
13	095012410	DEF TANK DOOR AL .102X6.89X7.02	1	EA
14	47007888	HINGE	2	EA
15	1107102	RUBBER BUMPER	1	EA
16	117012400	FUEL FILL DOOR AL .102X5.54X5.86	1	EA
17	108012403	BRACKET SUPPORT AL .125X4.5X11.87	1	EA
18	108012404	SPLASH PAN FUEL FILL AL .07X8.39X20.34	1	EA
19	108012405	SPLASH PAN FUEL FILL AL .07X19.5X23.82	1	EA
20	82312025	SUPPORT SPLASH PAN AL .07X1.5X2.84	1	EA
21	82312026	SUPPORT FUEL FILL AL .102X1X3.52	1	EA
22	47007038	NECK FUEL FILL	1	EA



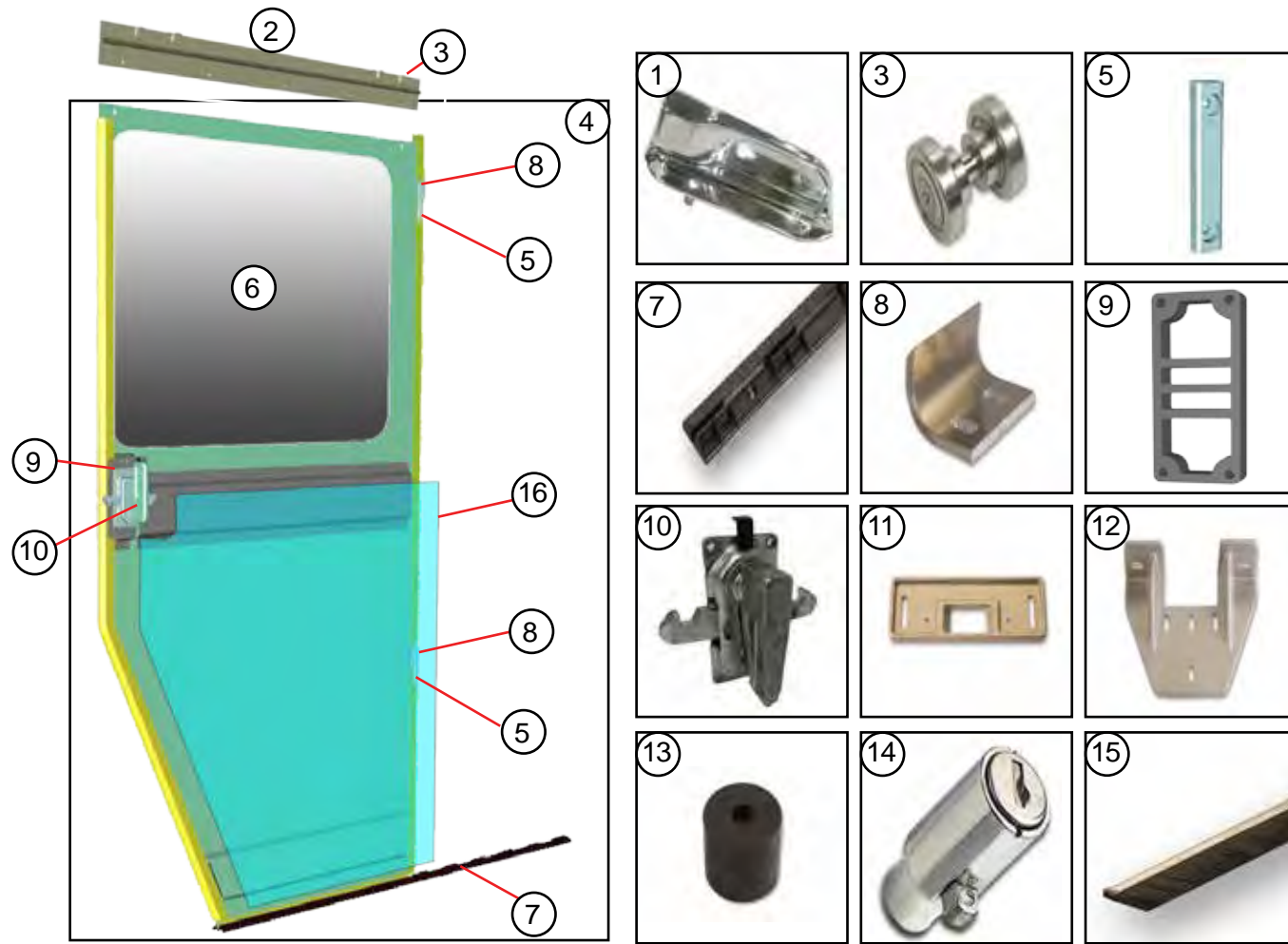
ITEM #	PART #	DESCRIPTION	QTY	UNIT
NS	1100010	ROOF SKIN	19.98	FT
2	91083303	ROOF BOW STEEL 14GA 450358X89.12	11	EA
3	083010420	ROOF RAIL 22' 456144X309.25 ROADSIDE	1	EA
4	083010421	ROOF RAIL 22' 456144X309.25 CURBSIDE	1	EA
5	088010512	RAIL INTERLOCK ROADSIDE AL 450140X237.25L	1	EA
6	088010513	RAIL INTERLOCK CURBSIDE AL 450140X237.25R	1	EA
7	89310478	ROOF BOW @ O LINE 14GA GLNX13.54X89.12	1	EA
8	077100400	CORNER CASTING ROADSIDE	1	EA
9	077100401	CORNER CASTING CURBSIDE	1	EA
10	89310506	INTERLOCK ROOF NOSE AL45014X82.38	1	EA
11	89310507	INTERLOCK ROOF TRANSOM AL450140X79.88	1	EA
12	083010400	ROOF NOSE	1	EA

ROOF A/C REINFORCEMENT

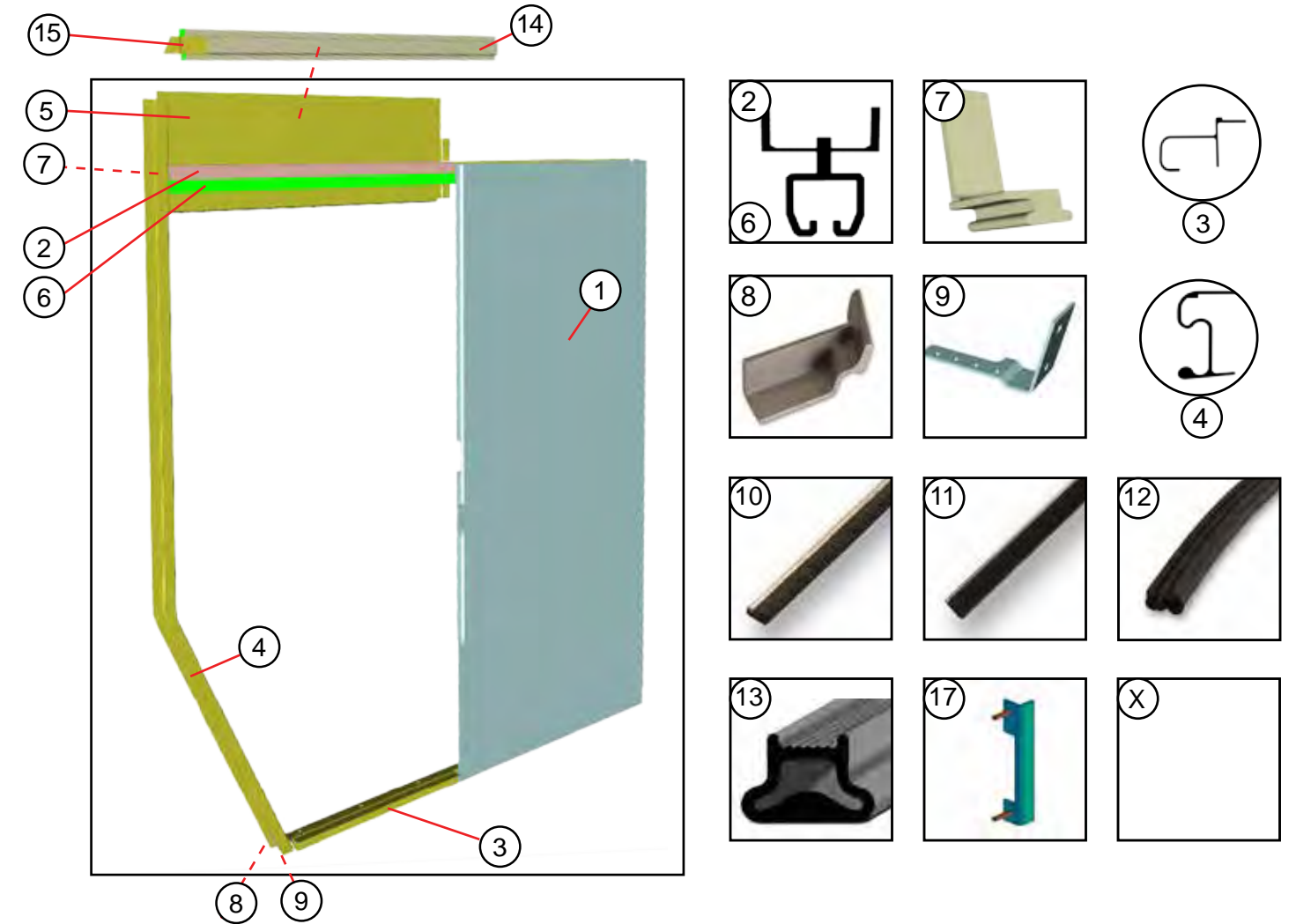
ITEM #	PART #	DESCRIPTION	QTY.	UNIT
NS	46027584	COUPLING AL RIG CONDUIT .5IN	1	EA
NS	168010414	REINFORCEMENT RF A/C C-CHANNEL AL .102X3.09X14	2	EA
NS	46027583	NIP AL RIG CDT .5X2	1	EA
16	168010412	PLATE REINFORCEMENT AL .102X21.70X25.88	1	EA
17	072010403	CHANNEL A/C AL .102X3.08X17.5	2	EA
NS	46027506	BUSHING PLASTIC ELC INSULATION .5IN	1	EA
19	168010413	PLATE REINFORCEMENT AL .102X24.15X25.88	1	EA



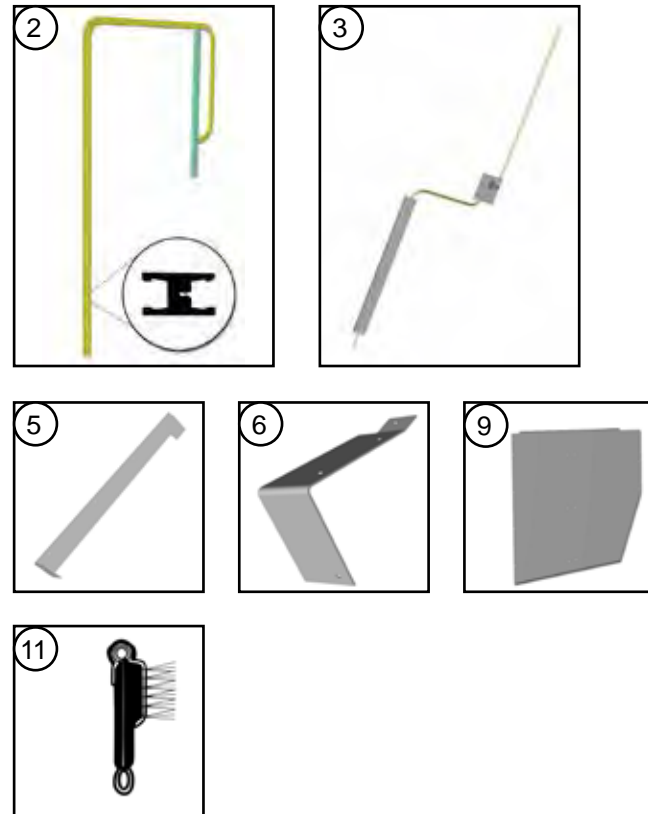
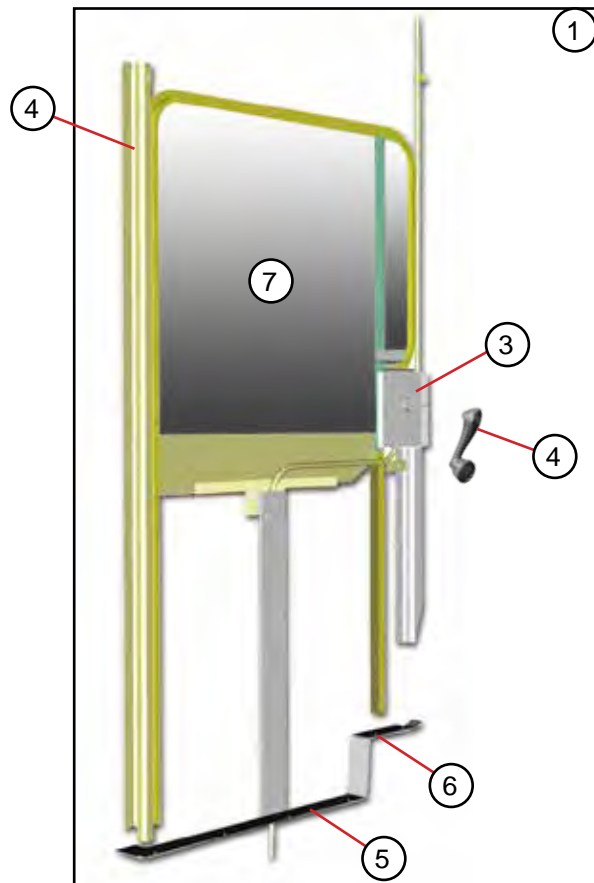
ITEM #	PART #	DESCRIPTION	QTY.	UNIT
1	168050400	CHANNEL POST CORNER AL 450359X96.19	2	EA
2	168050401	PANEL BACK AL .102X26.63X88.44	2	EA
3	77552018	HEADER BACK 93W AL 450138X92	1	EA
4	083053605	SILL REAR 93W AL 450024X88.75	1	EA
5	45100009	CORNER CAST LH	1	EA
6	45100010	CORNER CAST RH	1	EA
7	083050410	TRANSOM AL 450254X91.62	1	EA
8	004051401	PLATE STRIKER D/R LOWER 11GASSX4.33X9	1	EA
9	083050461	POST HINGE AL 450011X77.13	2	EA
10	90650305	GUSSET UPPER AL .125X5.12X6.59 RH	1	EA
11	90650304	GUSSET UPPER AL .125X5.12X6.59 LH	1	EA
12	96750313	ANGLE CLIP AL 450196X1	2	EA
13	45100106	STRIKER BRZC D/R	1	EA
14	118050202	CHANNEL POST WELDMENT FOR LIFTGATE	2	EA
NS	87144300	ANGLE MOUNTING REAR CORNER POST AL 450180X76	2	EA



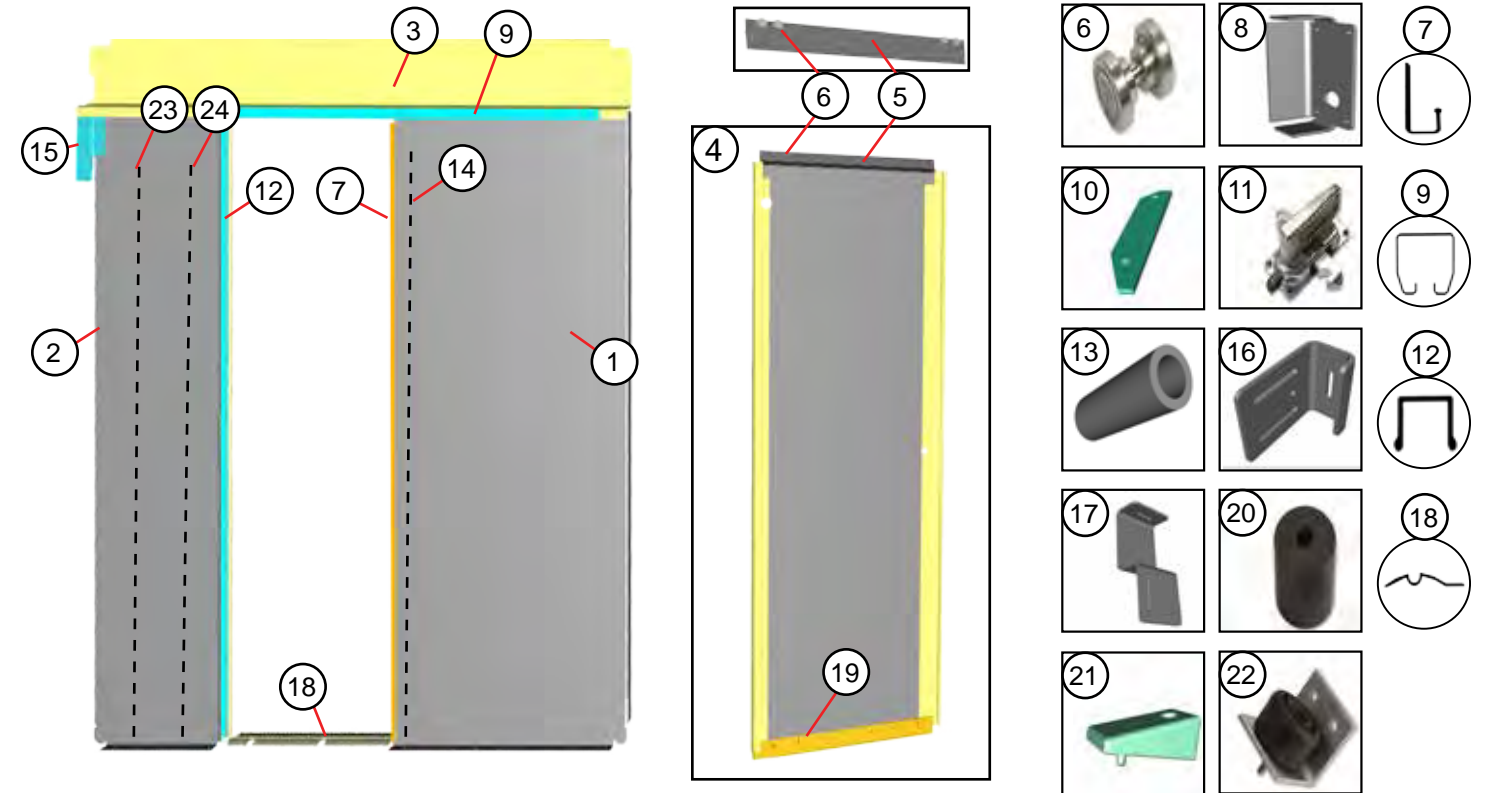
ITEM #	PART #	DESCRIPTION	QTY.	UNIT
1	1113393	HANDLE SIDE DOOR CHROME (REMOVABLE CYLINDER)	1	EA
2	96760307	HANGER DOOR AL 450515X40.09	1	EA
3	47006595	BEARING SR311-214 & RT311-278	4	PR
4	148060200	SIDE DOOR ASSEMBLY	1	EA
5	45200206	SPACER ANTI RATTLE	2	EA
6	1110001	WINDOW (WEATHER STRIP - 44004229)	1	EA
7	47002766	DOOR GUIDE NYLON	1	EA
8	96760318	CLIP ANTI RATTLE	2	EA
9	087181	KASON SPACER	1	EA
10	1113016	LATCH	1	EA
11	45100093	STRIKER BRONZE CAST D/S RR	2	EA
12	45100094	BRACKET STRIKER	1	EA
13	44002011	RUBBER BUMPER	1	EA
14	1113383	CYLINDER REMOVABLE W/KEY	1	EA
15	44008050	SEAL BRUSH TYPE B 1X41.95"	1	EA
16	148060406	PANEL DOOR LOWER AL .07X39.4X40.02	1	EA



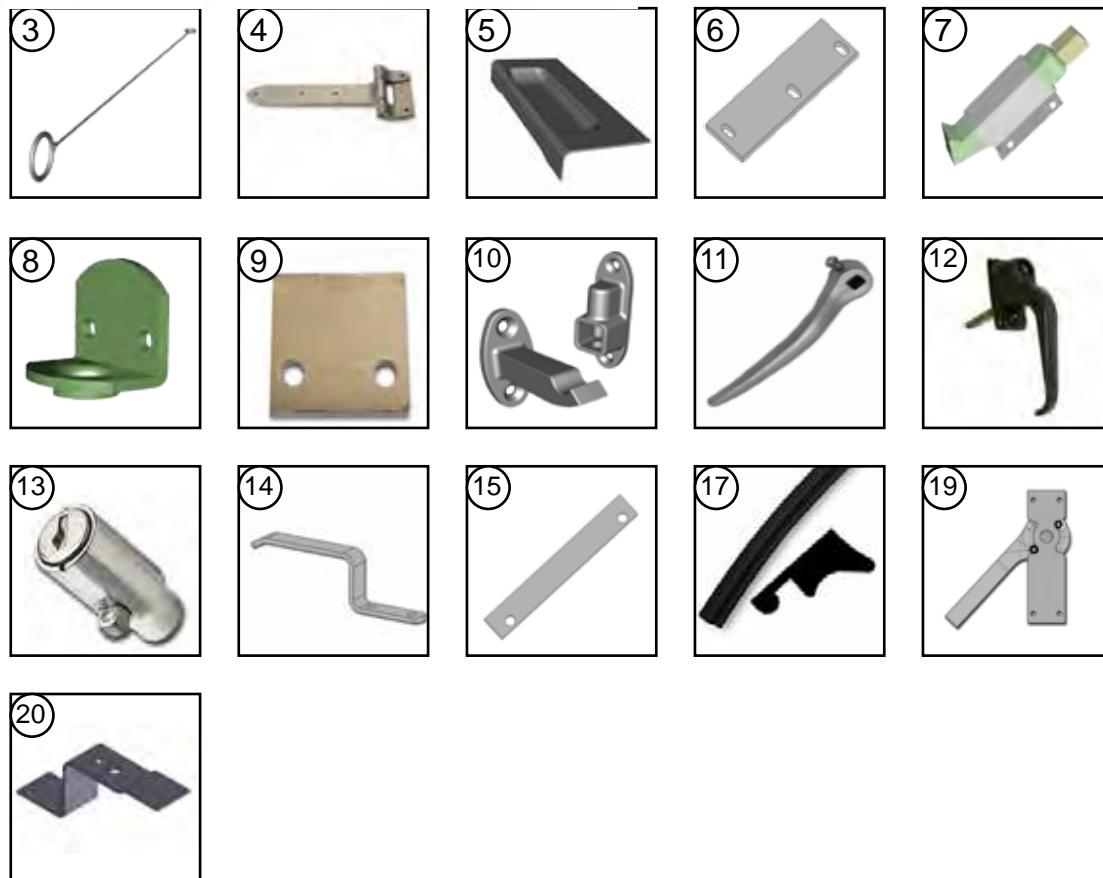
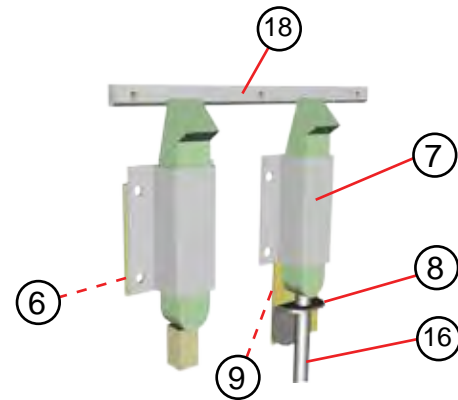
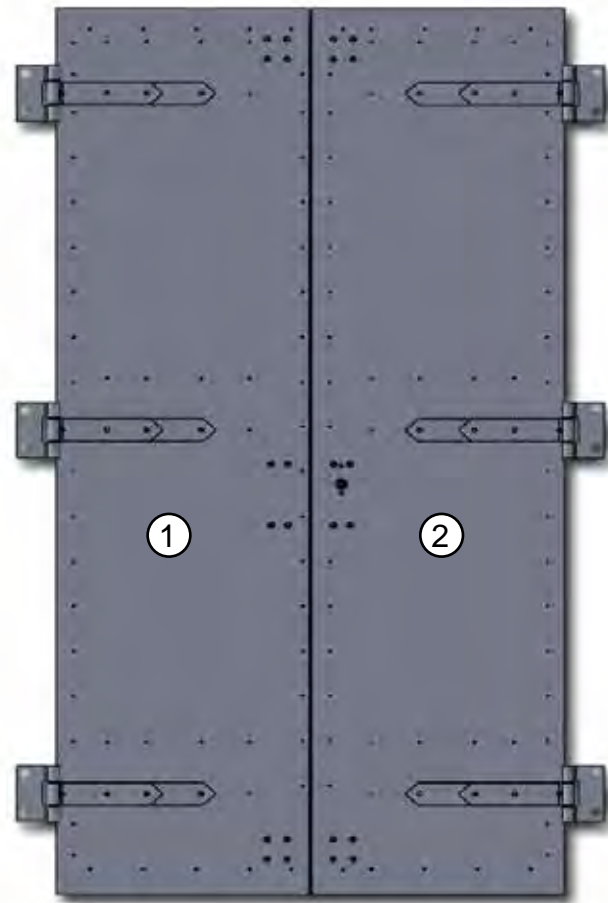
ITEM #	PART #	DESCRIPTION	QTY.	UNIT
1	118041410	PANEL DOOR POCKET AL .102X42.26X87.65 RH	1	EA
2	96741303	CHANNEL HEADER AL 450256X75 RH	1	EA
3	98741353	NOSE STEP AL 450247X61.29 RH	1	EA
4	077410401	POST DOOR AL 450294X102.43 RH	1	EA
5	077410405	PANEL HEADER AL .102X19.51X42.39 RH	1	EA
6	96741202	TRACK DOOR ASSEMBLY UPPER	1	EA
7	45100049	GUSSETT AL CAST HEADER CHANNEL TO D/PST RH	1	EA
8	45100105	DOOR POST AL CAST LWR RH	1	EA
9	001741408	REINFORCEMENT A POST AL .125X1.53X8.04 RH	1	EA
10	44008050	SEAL BRUSH TYPE B 1X83.9	1	EA
11	44004060	SEAL BRUSH TYPE C 1.5X82	1	EA
12	1107270	SEAL DOOR EDGE	8	FT
13	44004104	SEAL DOOR FORWARD 89.25"	1	EA
14	083042401	STIFFENER HEADER AL 450328X73.75 RH	1	EA
15	96742302	ZEE CLIP AL.102X3X9.57	1	EA
NS	87146300	ANGLE DOOR POCKET AL 450194X58.25	1	EA
17	97R653002	STRIKER WELDMENT	1	EA



ITEM #	PART #	DESCRIPTION	QTY.	UNIT
1	088066001	ROLL UP WINDOW INSTALLATION	1	EA
2	45800079	FRAME ASSEMBLY	1	EA
3	47007526	WINDOW REGULATOR	1	EA
4	47007522	HANDLE WINDOW REGULATOR	1	EA
5	084024422	COVER LOWER AL .102X3.43X28.73	1	EA
6	084024423	COVER UPPER AL .102X2.25X13	1	EA
7	45800093	GLASS ROLL UP WINDOW .125X28.43X32.59	1	EA
NS	89367380	DRIP RAIL OVER WINDOW AL 450006X35.32	1	EA
9	088066400	PANEL REGULATOR AL .102X33.19X36.20 DL	1	EA
10	998566407	STIFFENER ZEE REAR AL .102X2.94X62.73 L/R	1	EA
11	998566419	FELT GLASS x28.12	1	EA

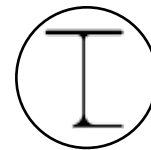
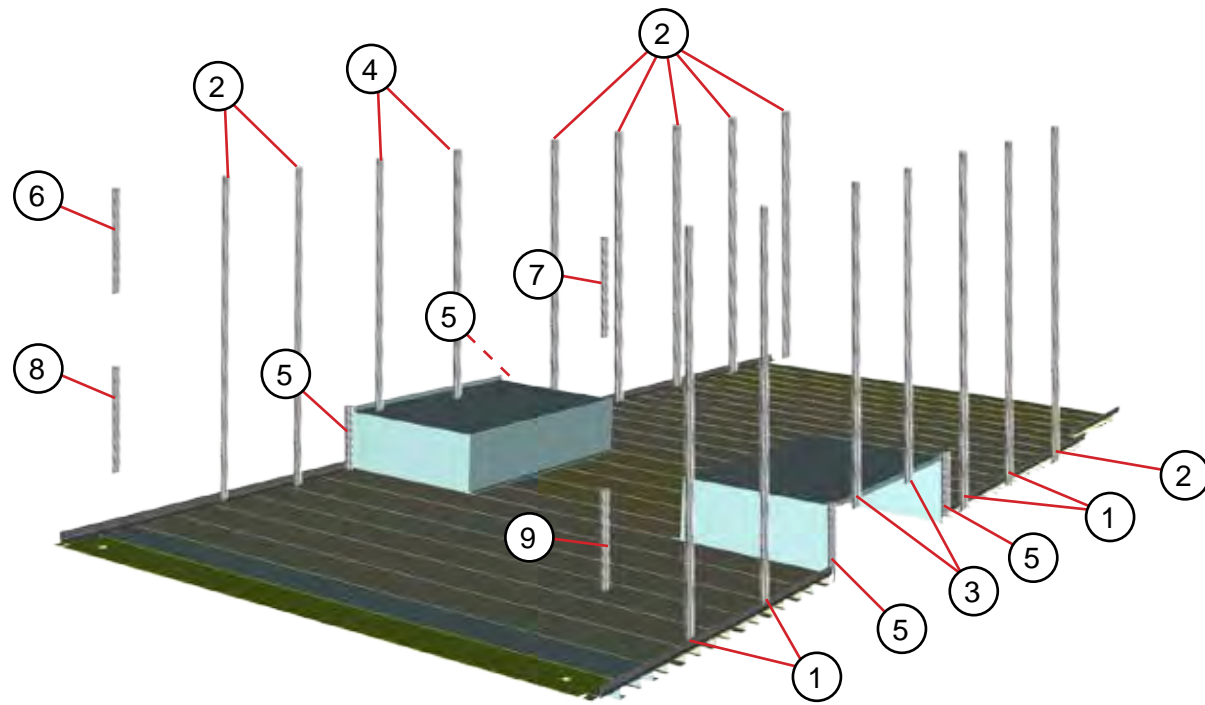


ITEM #	PART #	DESCRIPTION	QTY.	UNIT
1	138070473	PANEL BHD AL.102X37.84X77.38 DLH	1	EA
2	138070472	PANEL BHD AL.102X27.13X77.38 RH	1	EA
3	138070474	ZEE HEADER BHD AL.102X14.65X92.4	1	EA
4	088070201	DOOR ASSEMBLY BHD N/WDO UPR HNDL POS	1	EA
5	088070439	PLATE HANGER AL 450515X27.38	1	EA
6	47006595	BEARINGS SEALED	4	PR
7	088070438	CHANNEL BHD UPPER AL 450502X63.08	1	EA
8	088070433	SPACER DOOR BHD AL .125X4.6X10.02	1	EA
9	005770200	TRACK DOOR ASSEMBLY	1	EA
10	06M202043	SHIM HANDLE DOOR AL .125X1X7	1	EA
11	1113016	LOCK MECH INNER D/S	1	EA
12	96770312	JAMB AL 450326X74.37 RH	1	EA
13	088070482	SPACER BHD 1101200X1.75	2	EA
14	002069406	STIFFENER ZEE ALE450043X72.12	1	EA
15	088070443	PLATE BHD AL .055X3.65X8.29 RH	1	EA
16	088070431	BRACKET STRIKER STL 7GAX3.5X6.32 LH	1	EA
17	088070432	BRACKET STRIKER STL 7GAX3.5X11.77 RH	1	EA
18	128070481	GUIDE DOOR BHD AL 45041402X47.88	1	EA
19	088070434	WEAR STRIP DOOR BOTTOM	1	EA
20	44002011	BUMPER RUBBER	2	EA
21	45200208	DOOR CHOCK NYLON	1	EA
22	5903152	DOOR STOP	1	EA
23	133069400	STIFFENER BULKHEAD FOR JUMP SEAT AL 450043X72.12	1	EA
24	083069404	STIFFENER BULKHEAD FOR JUMP SEAT AL 450043X72.12	1	EA

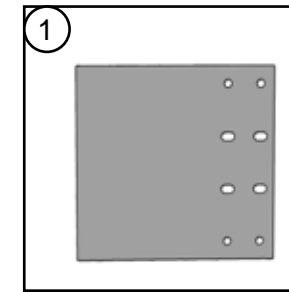


REAR DOOR ASSEMBLIES

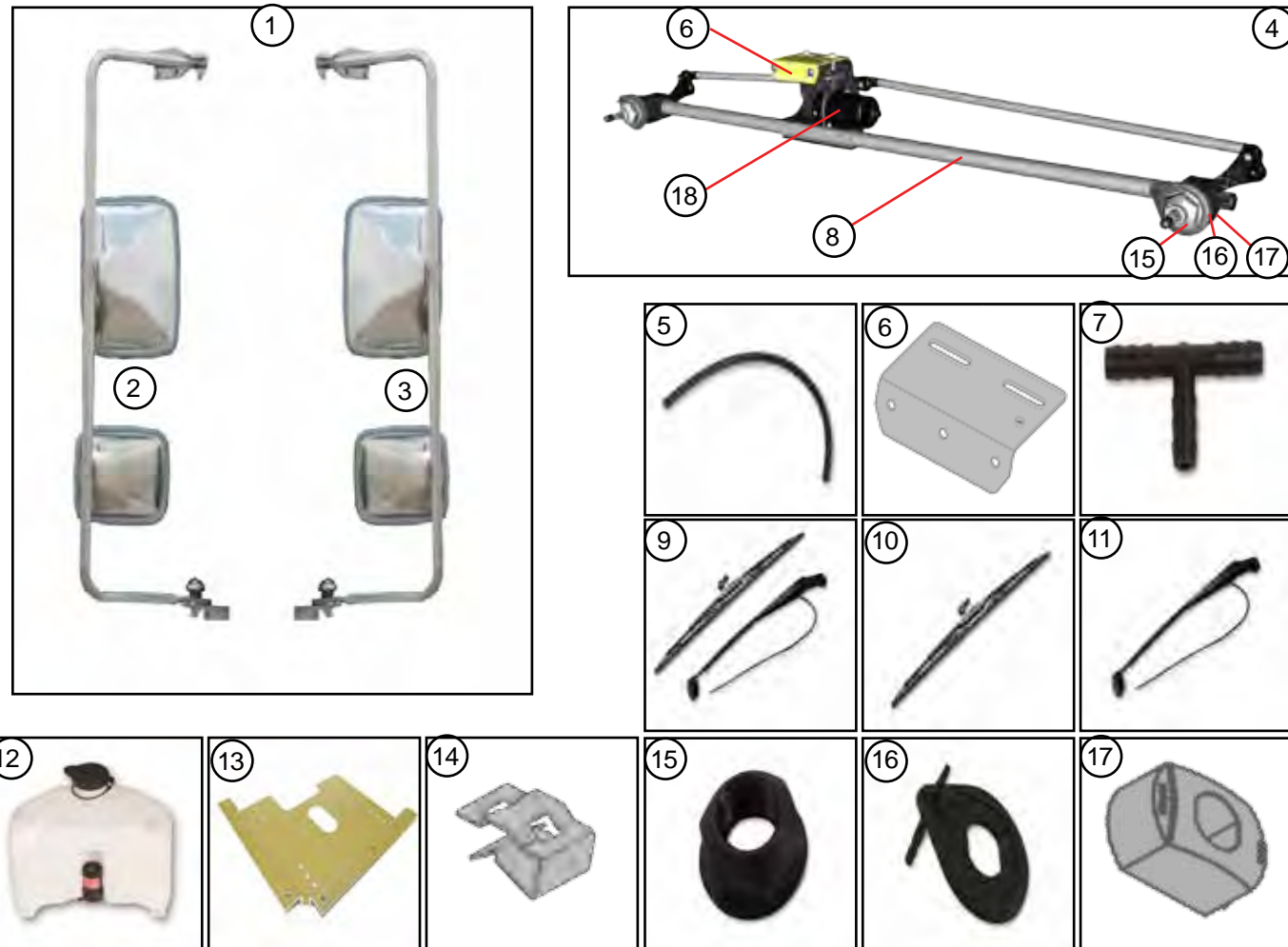
ITEM #	DESCRIPTION	PART #
1	DOOR ASEMBLY REAR LH	84352330
2	DOOR ASEMBLY REAR RH	84352323
3	CABLE	47000541
4	HINGE STRAP W/ZERK	47007900 x6
5	DUST PAN	7500036
6	SHIM LATCH DOOR	110051400
7	LATCH FINGER PULL	1113021
8	GUIDE ROD	1112011
9	SHIM GUIDE	7400126
10	DOOR HOLDERS	1113035
11	HANDLE DOOR INT.	1113015
12	HANDLE DOOR EXT.	47001176
13	CYLINDER LOCK	47001181
14	HANDLE DOOR FLAT INT.	47000669
15	SHIM MECHINISM	7401809
16	ROD UPPER	47000539
NS	ROD LOWER	47000549
17	SEAL SPONGE P/N 1107047 RH	17.12 FT
17	SEAL SPONGE P/N 1107047 LH	10.56 FT
18	STRIKER BRONZE UPPER	45100106
19	HANDLE MECHINISM	47000547
20	BRACKET STRIKER	148133403



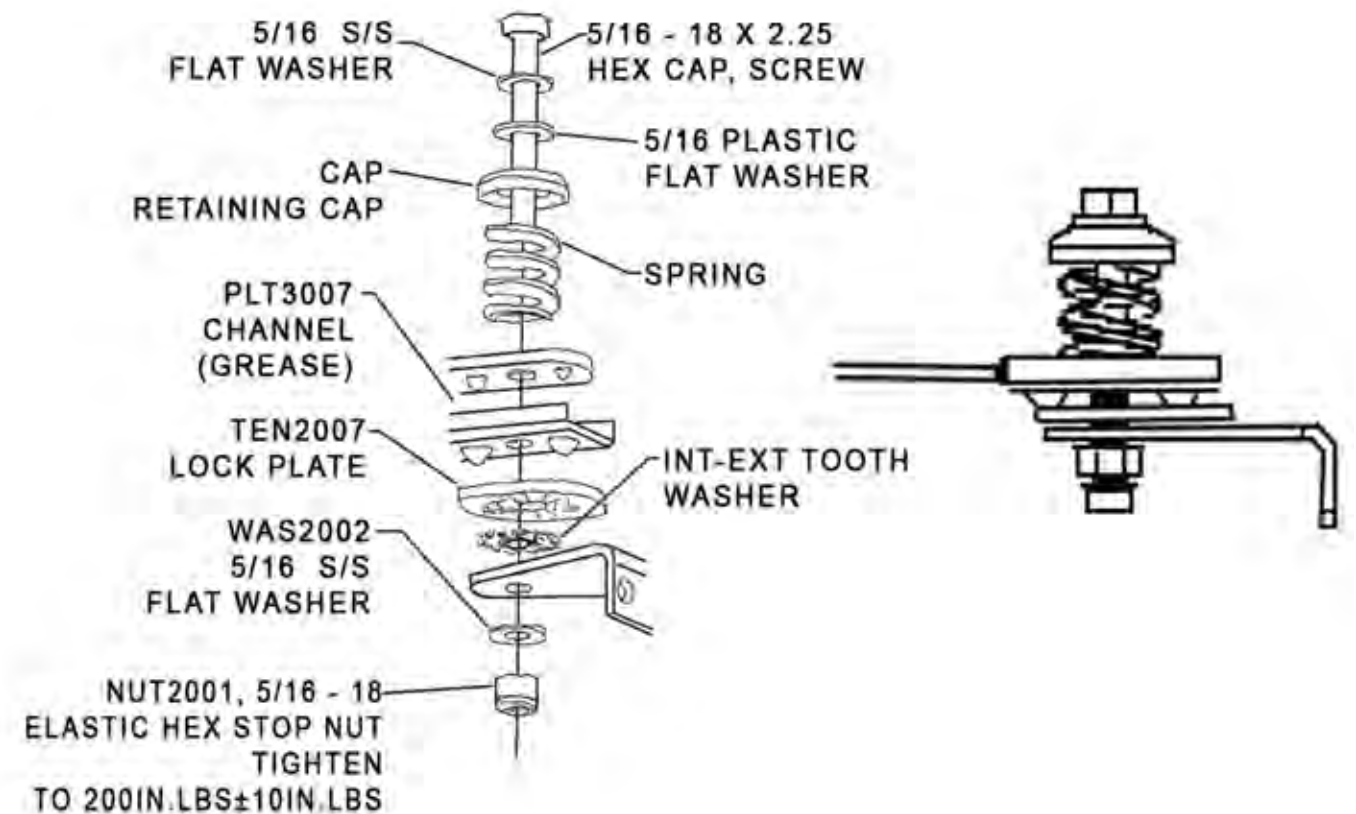
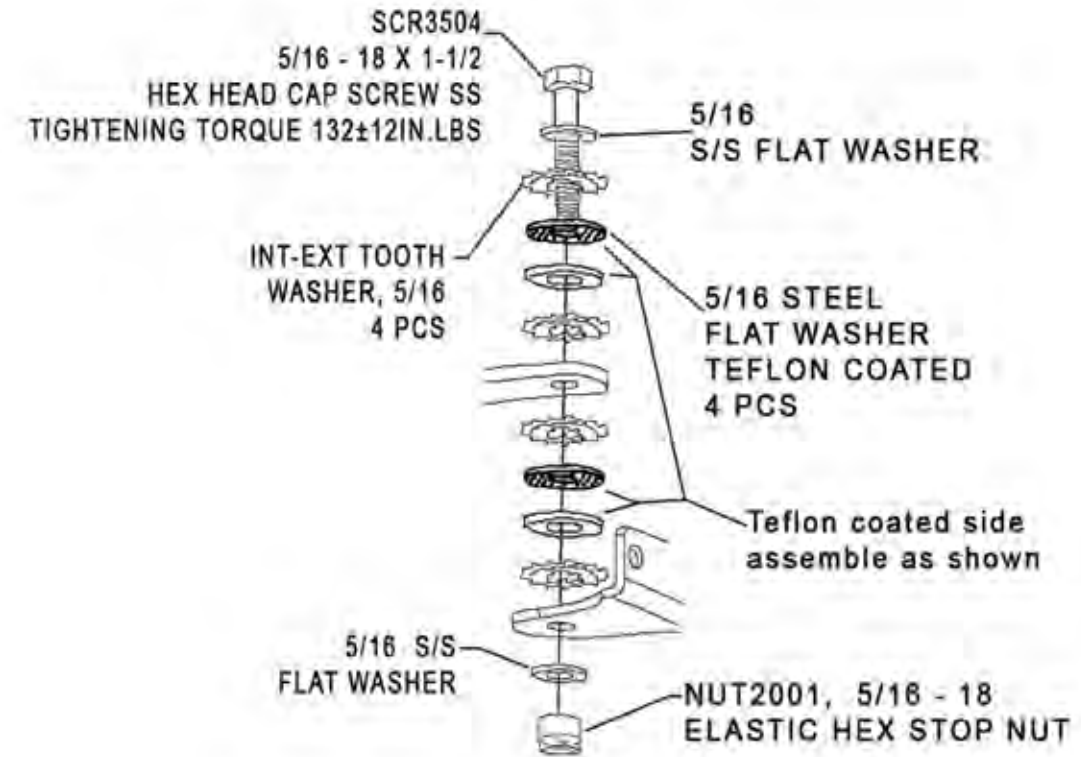
ITEM #	PART #	DESCRIPTION	QTY.	UNIT
1	103048410	STIFFENER ALE 450092X79	4	EA
2	103048411	STIFFENER ALE 450092X79	8	EA
3	103048412	STIFFENER ALE 450092X69.69 ABOVE W/BOX	2	EA
4	103048413	STIFFENER ALE 450092X69.69 ABOVE W/BOX	2	EA
5	103048414	STIFFENER BESIDE W/BOX AL 450092X7.75	2	EA
6	103048415	STIFFENER RR UPR ALE 450092X26 LH	1	EA
7	103048416	STIFFENER RR UPR ALE 450092X26 RH	1	EA
8	103048417	STIFFENER RR LWR ALE 450092X14.19 LH	1	EA
9	103048418	STIFFENER RR LWR ALE 450092X14.19 RH	1	EA

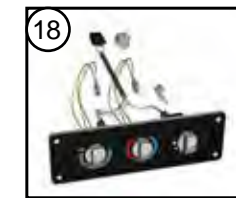
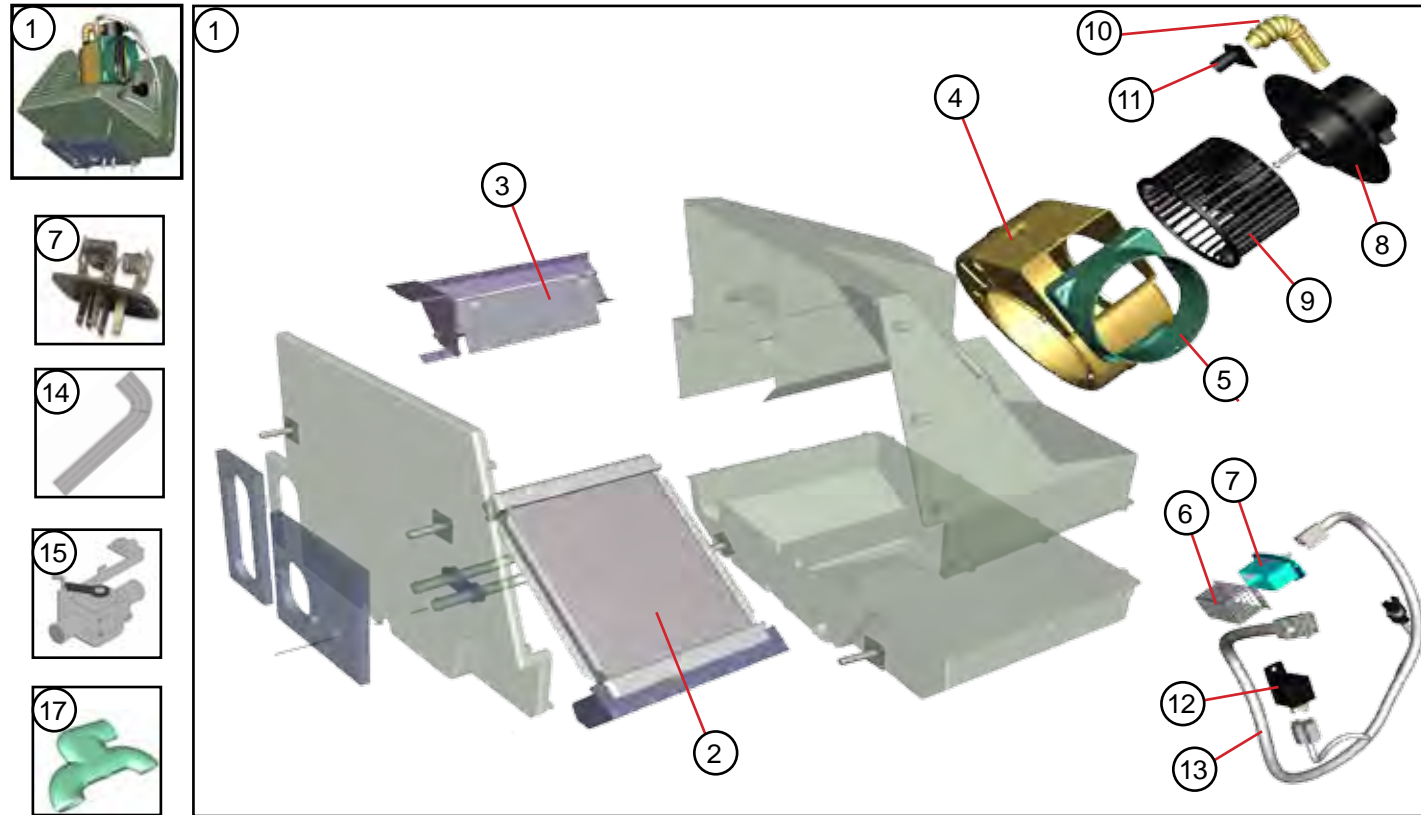


ITEM #	PART #	DESCRIPTION	QTY.	UNIT
1	90506341	PLATE HANGER BUMPER	2	EA
2	N/A	FRONT BUMPER SUPPLIED BY CHASSIS MFG.	1	EA

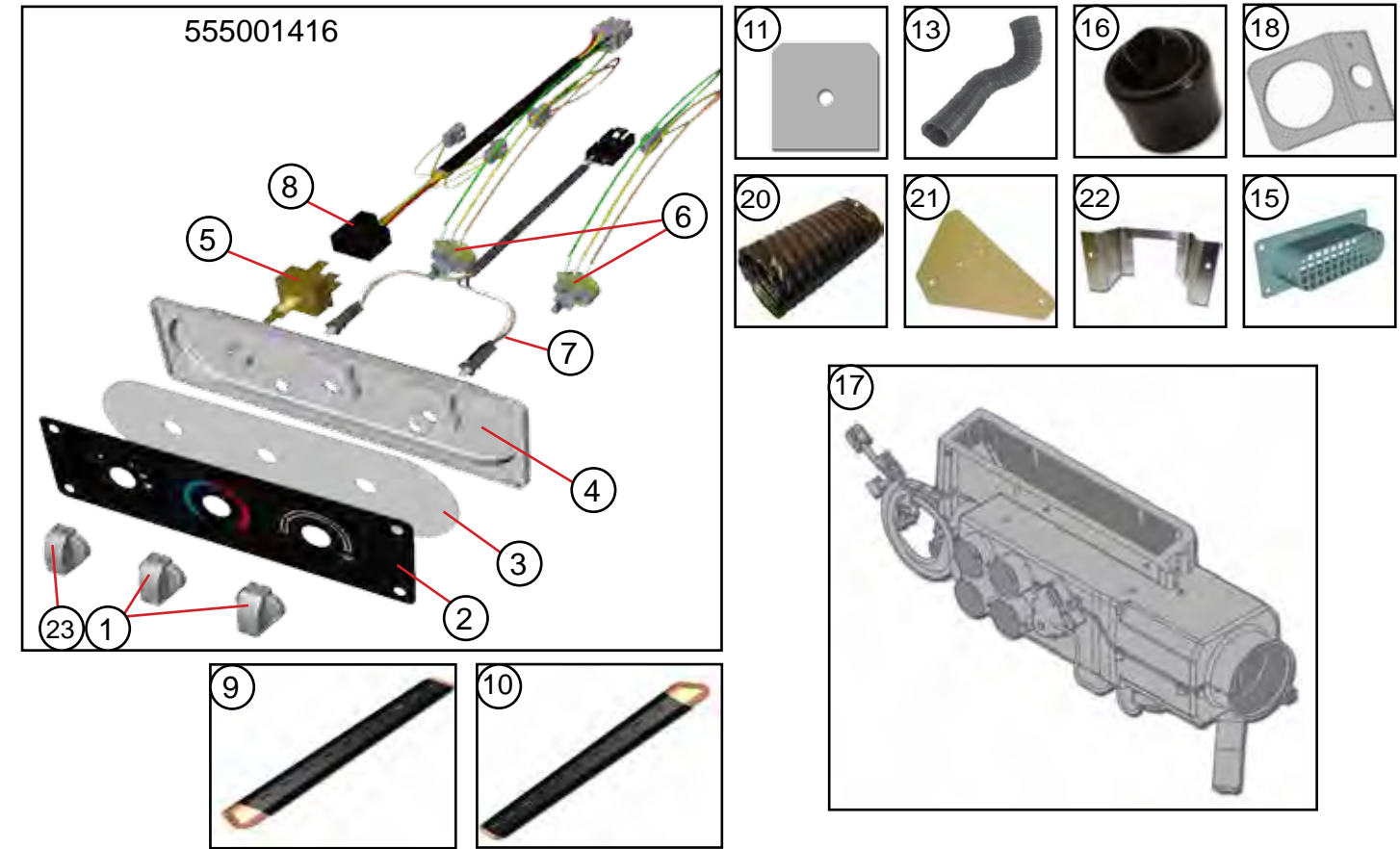


ITEM #	PART #	DESCRIPTION	QTY.	UNIT
1		MIRRORS		
2	47006150	MIRROR ASSEMBLY SS HEATED ROADSIDE	1	EA
3	47006151	MIRROR ASSEMBLY SS HEATED CURBSIDE	1	EA
4		WINDSHIELD WIPER		
5	1107122	HOSE .188 ID WSW	12	FT
6	083055454	BRACKET WIPER MOTOR	1	EA
7	1101694	TEE WSWA U/T	1	EA
8	47004188	WIPER SYSTEM TBLR 2 PIVOT	1	EA
9	146363002	WIPER ARM WITH BLADE	1	EA
10	47004134	BLADE 24IN BLACK	1	EA
11	47004206	ARM WSW WET 22IN RADIAL BLACK	1	EA
12	47004505	RSVR W/PUMP WSWA	1	EA
13	003705413	BRACKET MOUNTING RSVR	1	EA
14	46021115	CLIP BODY LARGE PAN	1	EA
15	47005901	NUT	2	EA
16	47005902	PIVOT COVER	2	EA
17	47005903	SPACER	2	EA
18	47005900	MOTOR WINDSHIELD WIPER	1	EA





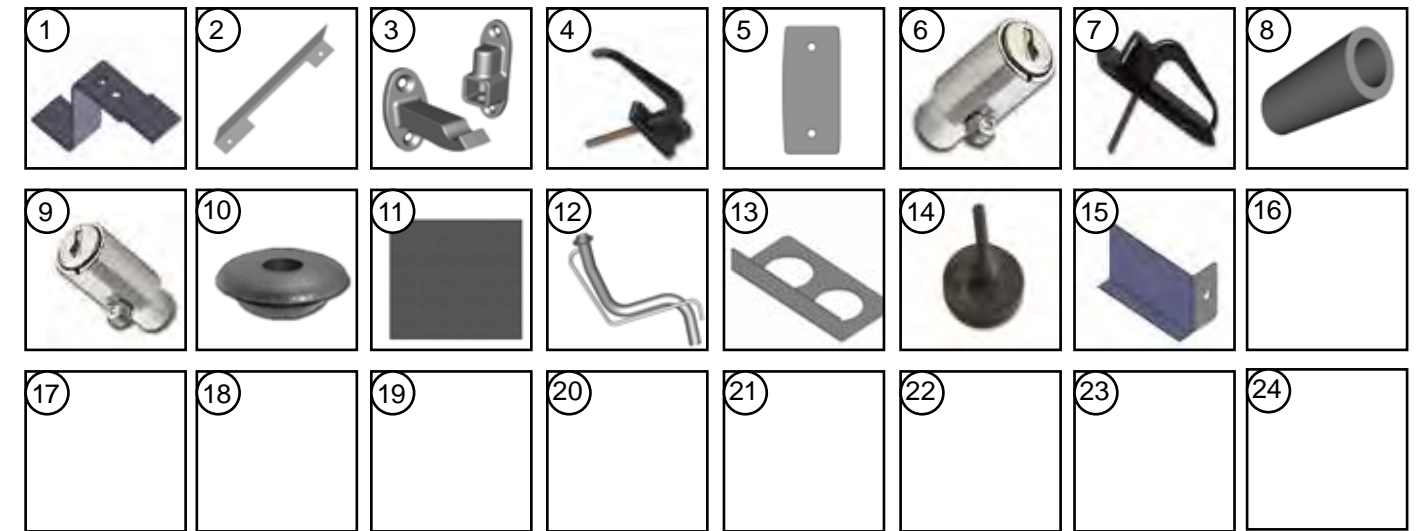
ITEM #	PART #	DESCRIPTION	QTY	UNIT
1	555001108	HEATER CORE ASSEMBLY WITH FILTER	1	EA
2	47008760	HEATER COIL W/GASKET & CLAMP	1	EA
3	47008753	DOOR W/SEAL	1	EA
4	47008754	BLOWER HOUSING	1	EA
5	47008755	BLOWER ADAPTER	1	EA
6	47008732	RESISTER CAGE	1	EA
7	47008357	RESISTER	1	EA
8	47008756	BLOWER MOTOR	1	EA
9	47008757	BLOWER WHEEL	1	EA
10	47008730	VENT TUBE	1	EA
11	47008731	VENT TUBE ADAPTOR	1	EA
12	47008716	RELAY	1	EA
13	47008768	HARNESS	1	EA
14	47008580	FORMED HEATER HOSE	2	EA
15	555002053	VALVE WATER	1	EA
17	090080401	DUCT FT DUMP SPECIAL (MOUNTING PLATE - 005780402)	1	EA
18	555001416	CONTROL PANEL HVAC	1	EA



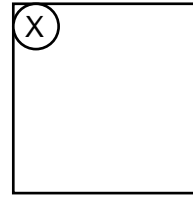
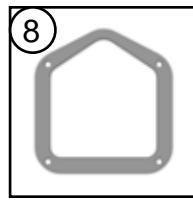
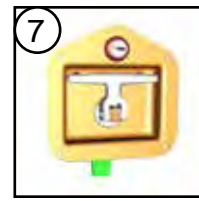
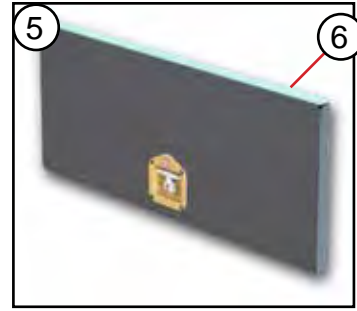
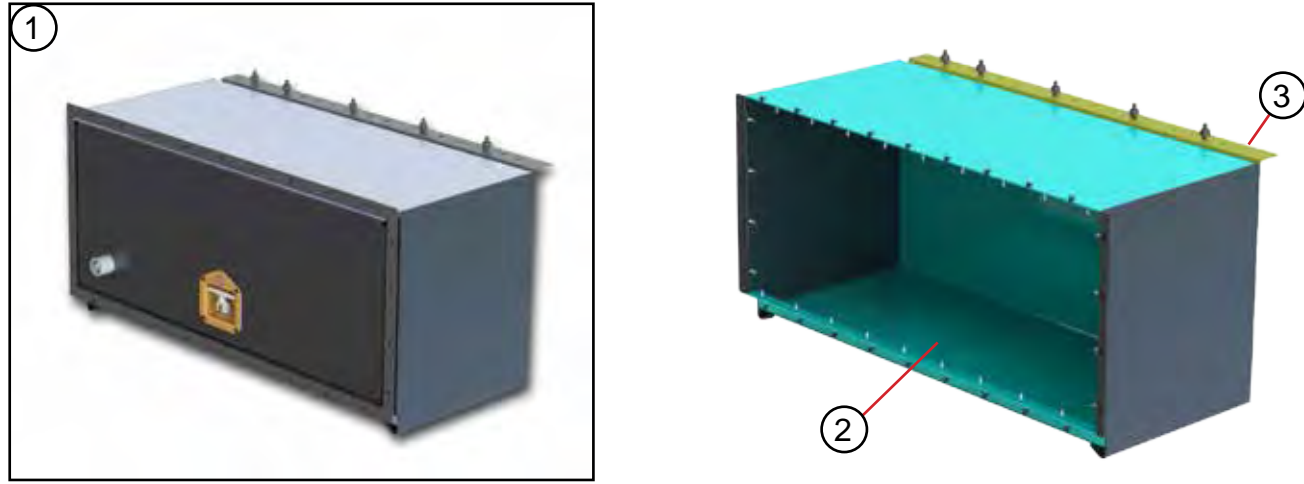
ITEM #	PART #	DESCRIPTION	QTY	UNIT
1	47008706	KNOB	2	EA
23	47008735	KNOB	1	EA
2	47008707	DECAL	1	EA
3	47008708	LIGHT PANEL	1	EA
4	47008709	CONTROL PANEL	1	EA
5	47008700	BLOWER SWITCH	1	EA
6	47008710	POTENTIOMETER SWITCH	2	EA
7	47008711	HARNESS ILLUMINATION W/BULBS	1	EA
8	47008712	HARNESS BLOWER MOTOR	1	EA
9	555001723	DEFROST DUCT CURBSIDE	1	EA
10	555001724	DEFROST DUCT ROADSIDE	1	EA
11	093080400	HOLD DOWN PLATE DEFROSTER DUCTS	4	EA
NS	555001523	HOSE DEFROSTER 2.5X16	2	EA
13	555001524	HOSE DEFROSTER 2.5X30	2	EA
NS	555001525	HOSE DEFROSTER 2.5x38	1	EA
15	555002003	COLLER FRESH AIR INTAKE	1	EA
16	555001715	LUVER BALL	6	EA
17	555001321	DUCT HVAC	1	EA
18	107027405	BRACKET HEATER VENT	1	EA
20	555001533	HOSE BLOWER HEATER/DEFROSTER 5"X7.5"	1	EA
21	005780402	MOUNTING PLATE	1	EA
22	002080400	BRACKET HEATER CONTROL AL .102X3X11.67	1	EA



ITEM #	PART #	DESCRIPTION	QTY.	UNIT
1	46025017	REFLECTOR 2.88 RED	1	EA
2	46025018	REFLECTOR 2.88 AMBER	2	EA
3	008300401	LABEL FUSE BLOCK LH	1	EA
4	008300402	LABEL FUSE BLOCK RH	1	EA
5	083092404	COVER FUSE CENTER AL.102X4X4.13	1	EA
6	102084499	BRACKET MOUNTING FUSE BOX AL.102X4X12.78	1	EA
7	46026311	TYCLAMP #10 X 7.5	1	EA
8	1107072	GROMMET	1	EA
9	1107109	GROMMET 0.375X0.125X.0625	1	EA
10	44000052	GROMMET .688X.125X1	1	EA
11	40900081	GROMMET HALF	4	EA
12	46004402	GROMMET ROUND BLACK 4IN LAMP	6	EA
13	46004403	GROMMET OBLONG BLACK LAMP	2	EA
14	44000800	MUD FLAPS LDV BLACK 24X26	1	PR
15	7504428	RETAINER MUD FLAP	2	EA
16	80795014	ANGLE RETAINER MUD FLAP	2	EA
17	138077401	BRACKET SUPPORT AL .102X4.61X24.11	1	EA
18	138077403	BRACKET SUPPORT AL .102X2.37X13.29	1	EA
19	138077405	BRACKET RETAINER AL .188X5X20	1	EA
20	1113334	LATCH BATTERY LID	1	EA
21	47000613	LATCH HOOD	1	EA
22	1113336	LATCH ENGINE BOX	1	EA
23	093116410	INSULATION DASH WALL	1	EA
24	098005404	INSULATION E/BX42002056X14.28X31.29	1	EA
25	098005405	INSULATION E/BX42002056X15.09X33.05	1	EA
26	098005406	INSULATION E/BX42002056X21.25X30.59	1	EA
27	098005407	INSULATION E/BX42002056X19.58X30.72	1	EA
28	098028401	INSULATION E/BX42002056X13.55X28.25	1	EA



ITEM #	PART #	DESCRIPTION	QTY.	UNIT
1	148133403	BRACKET STRIKER REAR DOOR AL .102X1.4X7.96	1	EA
2	97R653020	PLATE STRIKER STL 11GAX1.47X8	1	EA
3	1113035	DOOR HOLDER REAR 3" M/FEM	2	KIT
4	1113382	DOOR HANDLE	1	EA
5	47001149	GASKET DOOR HANDLE	1	EA
6	1113383	CYLINDER LOCK WITH KEY	1	EA
7	47001189	HANDLE BULKHEAD DOOR	1	EA
8	088070482	SPACER DOOR HANDLE	1	EA
9	47001181	CYLINDER REMOVABLE BULKHEAD DOOR HANDLE	1	EA
10	11007087	GROMMET HEATED MIRRORS	4	EA
11	47009600	CARPET BULKHEAD GREY	18.5	FT
12	47007038	NECK FUEL FILL	1	EA
13	46004708	BRACKET MOUNTING TEMP LAMPS	2	EA
14	1107102	RUBBER BUMPER DOOR	1	EA
15	165092400	BRACKET MOUNTING TEMP LAMP (LICENSE PLATE)	1	EA
16				EA
17				EA
18				EA
19				EA
20				EA
21				EA
22				EA
23				EA
24				EA



ITEM #	PART #	DESCRIPTION	QTY.	UNIT
1		BATTERY BOX COMPLETE	1	EA
2	130009201	BATTERY BOX ASSEMBLY	1	EA
3	130009408	ANGLE SUPPORT AL 450523X36	1	EA
4	130009200	FRAME ASSEMBLY OUTER - BATTERY BOX	1	EA
5	130009204	DOOR ASSEMBLY (DOOR, HINGE, HANDLE & GASKET)	1	EA
6	130009405	HINGE STAINLESS 47007794X36"	1	EA
7	47001498	HANDLE T POLISHED STAINLESS W/LOCK RH	1	EA
8	47001499	GASKET - HANDLE	1	EA
9	47000921	HOLD/BACK DOOR 6LBS	1	EA
10	44004079	SEAL "D" .25 X .375	9	FT
11	47008674	PLUG ROUND	2	EA

HEX CAP SCREWS



Size	Description	Thread	Lengths															
			.62	3/4"	1"	1-1/4"	1-1/2"	1-3/4"	2"	2-1/2"	3"	3-1/4"	4"					
1/4" Hex Cap Screw	GR5 ZC/RO	20				1117009												
1/4" Hex Cap Screw	GR5 ZC/RoHS	20	85743007		1101688													
1/4" Hex Cap Screw	18-8 Stainless	20	1117816		85743006	1117010												
1/4" Hex Cap Screw	ASTM F593C	20			1117819													
5/16" Hex Cap Screw	18-8 Stainless	18							1117804									
5/16" Hex Cap Screw	GR8 ZC/Y	18			1117045													
5/16" Hex Cap Screw	ASTM F593	18			1117803					1117059								
5/16" Hex Cap Screw	GR5 ZC/R	16							1117837									
3/8" Hex Cap Screw	GR8 ZC/Y	18							1117049	1117055								
3/8" Hex Cap Screw	GR8 ZC/Y	16			1117843													
3/8" Hex Cap Screw	GR5 ZC/RO	16			47012646													
3/8" Hex Cap Screw	GR5 ZC/RoHS	16	40300056															
3/8" Hex Cap Screw	ASTM F593C	16								1117805	40300058							
7/16" Hex Cap Screw	GR8 ZC/Y	20								1117097	1117052							
1/2" Hex Cap Screw	GR5 ZC/RoHS	13																
1/2" Hex Cap Screw	GR5 ZC/RO	13																
1/2" Hex Cap Screw	GR5 ZC/RoHS	13																
1/2" Hex Cap Screw	GR5 ZC	13																
5/8" Hex Cap Screw	GR5	11																

ZC	Zinc Coated
ZP	Zinc Plated
Y	Yellow
GR	Grade
RoHS	AS9100C ISO 9001:2008
ASTM F593C	American Standards Measurements Specifications

	Grade 8 Medium Carbon Alloy Steel
	Grade 5 Medium Carbon Steel
	Grade 2 Low or Medium Carbon Steel



ZP - ZINC PLATED

Standard	Thread	FIG.	#8	#10	1/4"	5/16	3/8"	.44	1/2"	DIA.
NYLON LOCKING NUT, HEX	32	1		052266						
NYLON LOCKING NUT, HEX	24	1		40301303						
NYLON LOCKING NUT, HEX ZP	24	3		1117307						
NYLON LOCKING NUT, HEX ZP	20	3			1117310					
NYLON LOCKING NUT, HEX ZP	18	3				1117838				
NYLON LOCKING NUT, HEX ZP	16	3					1117344			
LOCKING NUT HEX FLANGE .44-20 OVAL	20	4						1217003		
NUTSERT EXPANDING NYL .275 SQ	20	5		40900006						
NUT NON LOCKING	24	2		1117303						
NUT NON LOCKING	20	2			1117312					
NUT NON LOCKING	16	2					1117316			
GRADE 5										
NUT STL LK LRG FLG GD5 .31-18	18	4				40100560				
NUT STL HEX LK B ZP .5 -13 GR 5	13	1							1117283	
18-8 Stainless										
NUT SS LOCKING	32	3	1117347	1117699						
NUT SS LOCKING	24	6		1103354						
NUT SS LOCKING	20	6			1117336					
NUT SS NON LOCKING	20	7			40100044					
NUT SS ACORN LOW CROWN	20	8			40100061					
Speciality										
CHANNEL NUT WITH SPRING 1 X 1-1/4"	20	9			47009988					

Genuine OEM Parts

1.800.233.4823

www.morganolsonparts.com



	Diameter	Fig.	.25	.312	.375	.438	.44	.5	.562	.625	.687	.75	.875	1"
HUCK R6-4	.188	1		1117084	1117061									
HUCK R8-6	.25	2		1117087										
PROTRUDING HEAD	.25	3			40200304		40200634			40200303				
FLUSH HEAD B6-4	.25	4						40200630						
RIV AL BRAIZER HEAD	.125	5		1117402	1117404	1117405		1117406						
RIV AL BRAIZER HEAD	.188	5		1117351	1117353	1117355		1117357	1117359	1117361	1117363	1117365	1117368	
RIV AL BRAIZER HEAD	.25	5						1117380	1117385	1117382		1117386		1117395
RIV AL BRAIZER HEAD MOD	.25	5			40200213		40200214	1117409	1117410		1117408	1117869	1117390	
RIV AL FLAT HEAD	.125	7			85780100									
RIV AL FLAT HEAD	.188	7			1117434	1117436		1117438		1117440	1117442			
RIV AL FLAT HEAD POP	.25	7								40200630				
RIV AL DOME HEAD BLIND	.125	10	1117464											
RIV AL DOME HEAD BLIND	.188	10	1117456		1117457			1117458		1117459				
POP AL OPEN END BLIND	.125	6			1117421									
POP AL OPEN END BLIND	.188	6	1117456		1117457					1117459		1117458		
POP CLSD BLACK		8						40200629		40200631				
SNAP FASTNER		9						40900925						
BULB TYPE BLIND w/WASHER	.188	10			40200621			40200501						

Genuine OEM Parts

1.800.233.4823

www.morganolsonparts.com



Standard	I/D	FIG.	3/8	1/2	9/16	5/8	3/4"	7/8	1"	1-1/4"	1-3/4"
#10 TYPE B FLAT WASHER ZINC/ROHS	.190	1			1117929						
#10 X 1 FENDER WASHER ZC	.190	2							1117950		
#10 EXTERNAL TOOTH LW ZC	.190	3	1117971								
1/4 EXTERNAL TOOTH LW ZC	1/4	3		1117975							
1/4 TYPE B NARROW FLAT WASHER	1/4	4			1117941						
1/4 USS FLAT WASHER ZC/ROHS	1/4	1					1117953				40300918
1/4 F436 (A325) FLAT WASHER ZC/ROHS	1/4	1				40000047					
FLAT WASHER .060 THICK ZC/RO	1/4	1							1117952		
1/4 USS FLAT WASHER	1/4	1			1117885						
5/16 SPLIT LOCK WASHER ZC/ROHS	5/16	5	1117965								
5/16 USS FLAT WASHER ZC/ROHS	5/16	1						1117955			
3/8 USS FLAT WASHER ZC/ROHS	3/8	1						1117957			
3/8 X 1 FLAT WASHER 1/4 THK NYLON	3/8	6							40000038		
1/2 TYPE B REGULAR FLAT WASHER	1/2	1								40000050	
1/2 TYPE B REGULAR FLAT WASHER ZC	1/2	1								1117945	
1/2 TYPE B WIDE FLAT WASHER ZC/ROHS	1/2	1									1117959
Grade 8											
1/4 FLAT WASHER GR 8 ZC/Y	1/4	7								85761003	
5/16 FLAT WASHER GR 8 ZC/Y	5/16	7						1117937			
3/8 FLAT WASHER GR 8 ZC/Y	3/8	7					40000046		1117947		
7/16 FLAT WASHER GR 8 ZC/Y	7/16	7								1217002	
1/2 FLAT WASHER GR 8 ZC/Y	1/2	7							1117943	85761009	
Stainless 18-8											
#10 X 5/8 BONDED SEALER 18-8 SS	.190	8			85761250						
1/4 X 5/8 BONDED SEALER 18-8 SS	1/4	8				40000053					
3/8 X 3/4 BONDED SEALER 18-8 SS	3/8	8				40000051					
3/8 X 1" BONDED SEALER 18-8 SS	3/8	8								40000054	
1/4 EXTERNAL TOOTH SS LW ZC	1/4	3			40000510						40000055
Speciality											
WASHER NYLON .13 X .62 ID X 1.38OD	5/8	9									137147429

Genuine OEM Parts

1.800.233.4823

www.morganolsonparts.com



18-8 Stainless	Diameter	Fig.	Length												
			.5	.625	.75	.875	1"	1-1/4"	1-1/2"	2-1/4"	2-1/2"	3"			
PHILLIPS TRUSS M/S 18-8 SS	8 - 32	1		1117716											
PHILLIPS TRUSS M/S 18-8 SS	10 - 24	1	1117800	1117814	40300498				40300451	1117835					
PHILLIPS TRUSS M/S 18-8 SS	1/4 - 20	1		1117857	1117784				40300453	40300454					
PHILLIPS TRUSS M/S 18-8 SS	5/16 - 18	1			1117928										
PHILLIPS FLAT M/S 18-8 SS	10 - 32	2						1117830	1117900						
PHILLIPS FLAT M/S 18-8 SS	10 - 24	2							40300510						
PHILLIPS FLAT M/S 18-8 SS	1/4 - 20	2						1117786	40300634						
PHILLIPS FLAT M/S 18-8 SS	3/8 - 16	2							1117782	40300634			40300630	40300631	40300638
PHILLIPS ROUND M/S 18-8 SS	10 - 24	6										1117789			
6 LOBE PAN T/C M/S 18-8 SS	1/4 - 20	9							1117815			40300309			
Standard Steel RoHS															
PHILLIPS ROUND M/S ZC/ROHS	8 - 32	6													
PHILLIPS PAN TEKS/3 ZC/ROHS	10 - 16	5								1117674					
PHILLIPS TRUSS M/S ZC/ROHS	10 - 24	1													1117793
PHILLIPS TRUSS M/S ZC/ROHS	10 - 32	1	1117723		1117688				1117715						
T/C - Thread Cutting															
PHIL PAN T/S TYPE A ZC	10	8													
PHIL TRUSS T/S TYPE A BLK	10	4							1117680						
PHIL PAN T/S TYPE A BLK	10	7							40300101						
PHIL PAN T/S TYPE A ZC	12	8							40300503						
6 LOBE PAN T/C	1/4 - 20	9		85743152	1117668				40300922			1117684			40300042



T/C Thread Cutting 6 Lobe Type A
Genuine OEM Parts

1.800.233.4823

www.morganolsonparts.com

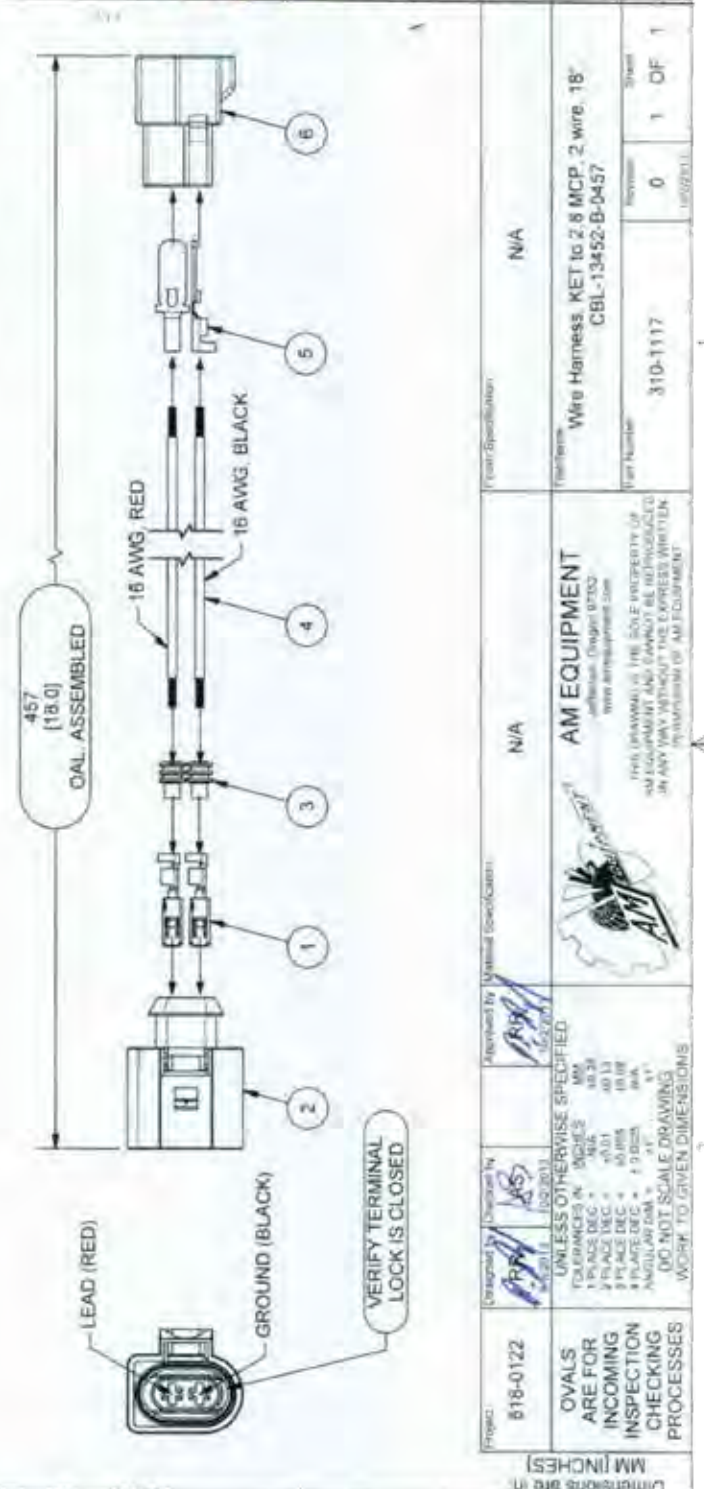


ITEM #	PART #	DESCRIPTION	QTY.	UNIT
1	46024513	BACK UP ALARM	1	FT
2	46023605	SWITCH ROCKER DASH FAN ON-OFF-ON	1	FT
3	46023508	SWITCH CAB DOME LAMP SPST ON-OFF	1	EA
4	46023618	SWITCH ROCKER ACTUATOR HEATED MIRRORS	1	EA
5	46023611	SWITCH ROCKER BASE HTD/ MIRRORS SPDT ON - ON	1	EA
6	46030011	FAN 2 SPEED 270 CFM	1	EA
7	46023310	SWITCH WIPER ON/OFF, WASH & SPEED CONTROL	1	EA
8	46003017	LAMP INTERMITANT WIPER	1	EA
9	46002427	LAMP LICENSE PLATE LED CLEAR	1	EA
10	46001905	LAMP AUX STOP TURN BAR	1	EA
11	46002209	LAMP REAR COMBO LED (SHOWN WITH GROMMET 4600402)	4	EA
12	46001406	LAMP B/U LED (SHOWN WITH GROMMET 46004402)	2	EA
13	46000615	LAMP PARK / TURN FRONT LED (USE GROMMET 46004403)	2	EA
14	46000213	LAMP HEADLIGHT ASSEMBLY	2	EA
15	46026380	FLASHER FOR TURN/TAIL LED	1	EA
16	46001339	LAMP CLEARANCE MARKER LED AMBER	6	EA
17	46001362	LAMP CLEARANCE MARKER LED AMBER	1	EA
18	46001340	LAMP CLEARANCE MARKER LED RED	7	EA
19	46019325	LOCK SECD .180 BULLET M/FEM	1	EA
20	46026432	POWER POINT USB 5V 3.1 AMP OUTPUT	1	EA
21	46025303	SWITCH MAGNETIC REED CLOSED LOOP	4	EA
22	124091400	BRACKET MAGNET DOOR AL .102X3.91X4.47 RH	1	EA
23	074091402	BRACKET SWITCH AL .102X2.5X3.62	2	EA
24	124091401	BRACKET MAGNET DOOR AL .102X3.91X4.47 LH	1	EA

PAGE #	PART #	DESCRIPTION	QTY.	UNIT
38	47004506	HARNESS PIGTAIL PUMP WINDOW WASHER	1	EA
39	082091200	HARNESS POWER OPTION FROM BATTERY	1	EA
40	090051201	HARNESS MIRROR HEATED W/RKR SW	1	EA
41	098084202	HARNESS FUSE CENTER	1	EA
42	098085201	HARNESS HOOD (FOR ALUMINUM HOOD)	1	EA
43	124091200	HARNESS JPR LIFT GATE DOOR SAFETY	1	EA
44	130087200	HARNESS REAR WRG LH SILL	1	EA
45	130087201	HARNESS REAR WRG RH SILL	1	EA
46-47	132093200	HARNESS ROOF 13/16" SPCL	1	EA
48	133093201	HARNESS TRANSOM CHMSL	1	EA
49-50	137391200	HARNESS ROOF TO NOSE	1	EA
51-53	138084200	HARNESS COMMAND CENTER FCC	1	EA
54	162088201	HARNESS JUMPER AUX BATTERY	1	EA

REV	DESCRIPTION	BY	REL. DATE
	RELEASE TO PRODUCTION		

PARTS LIST		
ITEM	QTY	DESCRIPTION
1	2	AMP MCP2 8 FLAT TYPE RECEPTACLE
2	1	AMP MCP2 8, TE P/N: 1-968851-1
3	2	CONNECTOR, 2POS. AMP MCP2.8 TE P/N: 1-1355200-1
4	2	SINGLE SEAL, 5.6 mm DIA, TE P/N: 528605-1
5	2	STRANDED WIRE, 16 AWG, INSULATED SXL/AEXF OR EQUIVALENT
6	2	Terminal, Male, 250 Type (KET ST40254-1) (Yasaki T1142020)
8	1	Housing, Female, 2 Terminal, 250 Type (KET MG620042) (Yasaki PN 71222128)



PROPRIETARY
This drawing and the information and data contained herein constitutes valuable proprietary trade secret information of Morgan Olson Corp. and may not be used, duplicated or further disclosed or disseminated for any purpose other than that purpose for which it was originally provided, without the prior written consent of Morgan Olson Corp.

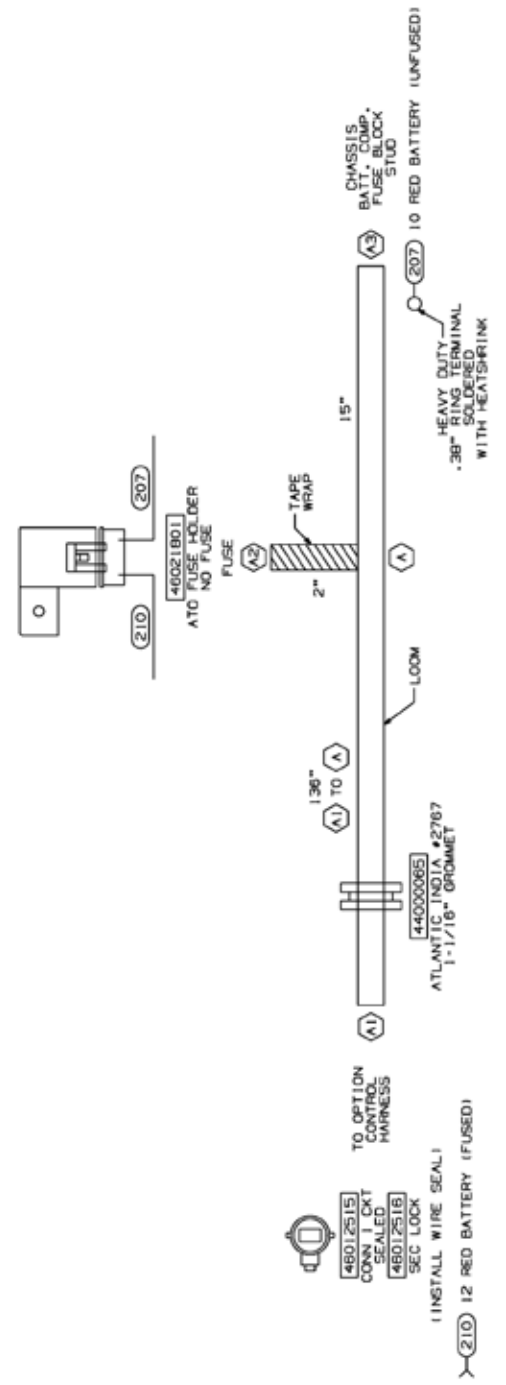


CONVERSION INFORMATION
1. TOLERANCE: X .1 (0.001) XX .2 (0.002) XXX .3 (0.003)
2. ANGLES: X .5 DEGREES
3. HOLE OR ALL DIMENSIONS UNLESS OTHERWISE SPECIFIED ARE IN INCHES
4. DIMENSIONS IN PARENTHESES ARE IN MILLIMETERS
5. FOR FLAT PATTERNS ALL OUTSIDE CORNERS MAY BE ROUNDED UP TO .125" R TO FACILITATE PRODUCTION.
DRAWN: ALL CHECKED: RELEASE NO: 45440
DATE: DATE DATE: 17JUN15
DO NOT SCALE

Project:	818-0122	Designed by:	MS	Approved by:	MS	Material Specification:	N/A
Part Name:	OVALS ARE FOR INCOMING INSPECTION CHECKING PROCESSES	Part Number:	310-1117	Revision:	0	Sheet:	1 OF 1
Part Description:	UNLESS OTHERWISE SPECIFIED: TOLERANCES IN INCHES: .125, .1875, .25, .375, .5, .75, 1.0, 1.5, 2.0, 3.0, 4.0, 6.0, 8.0, 10.0, 15.0, 20.0, 30.0, 40.0, 60.0, 80.0, 100.0, 150.0, 200.0, 300.0, 400.0, 600.0, 800.0, 1000.0. DIMENSIONS IN PARENTHESES ARE IN MILLIMETERS. (DO NOT SCALE DRAWING WORK TO GIVEN DIMENSIONS)	Part Name:	Wire Harness, KET to 2 8 MCP, 2 wire, 18" CBL-13452-B-0457	Part Number:	310-1117	Revision:	0
Part Description:	AM EQUIPMENT www.amequipment.com THIS DRAWING IS THE SOLE PROPERTY OF AM EQUIPMENT. IT IS TO BE USED ONLY FOR THE EQUIPMENT IDENTIFIED HEREIN.	Part Name:	N/A	Part Number:	N/A	Revision:	N/A

CIRCUIT	GAUGE/COLOR	END POINTS	FUNCTION
207	10 RED	A2, A3	BATTERY (UNFUSED)
210	12 RED	A1, A2	BATTERY (FUSED)

DRAWING NO.	082091200	SHEET	1 OF 1
REV		DATE	
DESCRIPTION	RELEASE FOR PRODUCTION	BY	



10. SEALED CONNECTORS AS NOTED TO BE GREASED WITH AN ANTI-OXIDANT CORROSION PREVENTATIVE COMPOUND OR EQUIV.
9. THIS IS A PURCHASED MATERIAL. MATERIAL EXISTS.
8. VENDOR TO REPLACE CONNECTOR WITH APPROVED MOLDING OR CONNECTORS. PICTAILS SHOWN IN TERMINAL VIEW. VENDOR PART NUMBER SHOWN FOR REFERENCE ONLY.
7. HARNESS TO BE TESTED FOR CONTENT, OPENS, SHORTS, AND CONTINUITY.
6. CONNECTORS SHOWN FROM WIRE ENTRY SIDE, UNLESS OTHERWISE NOTED.
5. SPLICES TO BE AUTOMATED WITH HEAT SHRINK TUBING.
4. TAPE [1111098]: 8" AT BREAKOUTS AND 2" AT LOOM ENDS.
3. HARNESS TO HAVE A LABEL SHOWING GRAMMAN OLSON LABEL NUMBER, REVISION LEVEL, NUMBER, DATE OF MANUFACTURE.
2. SPLIT POLY LOOM UNLESS OTHERWISE NOTED.
1. OXL WIRE.

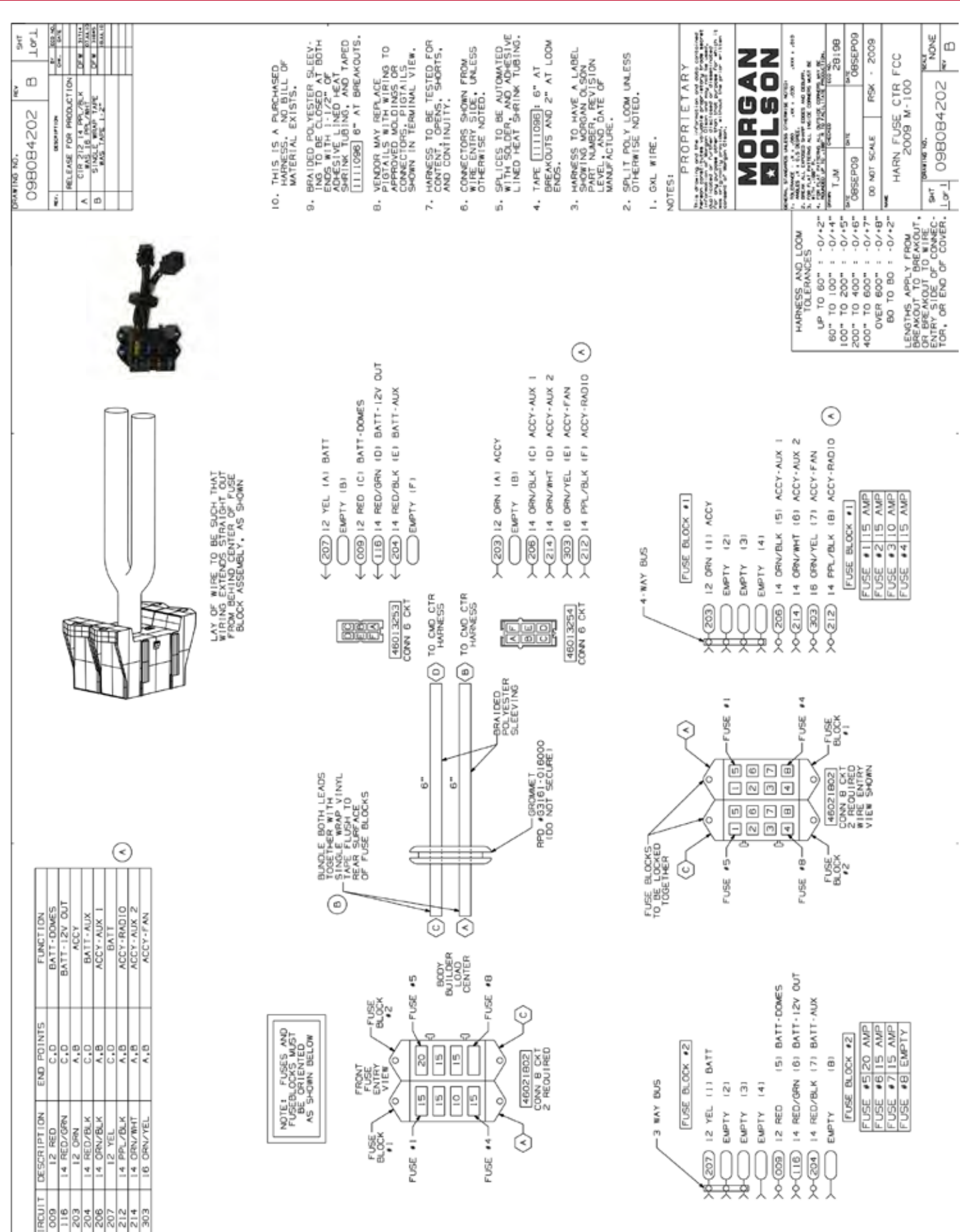
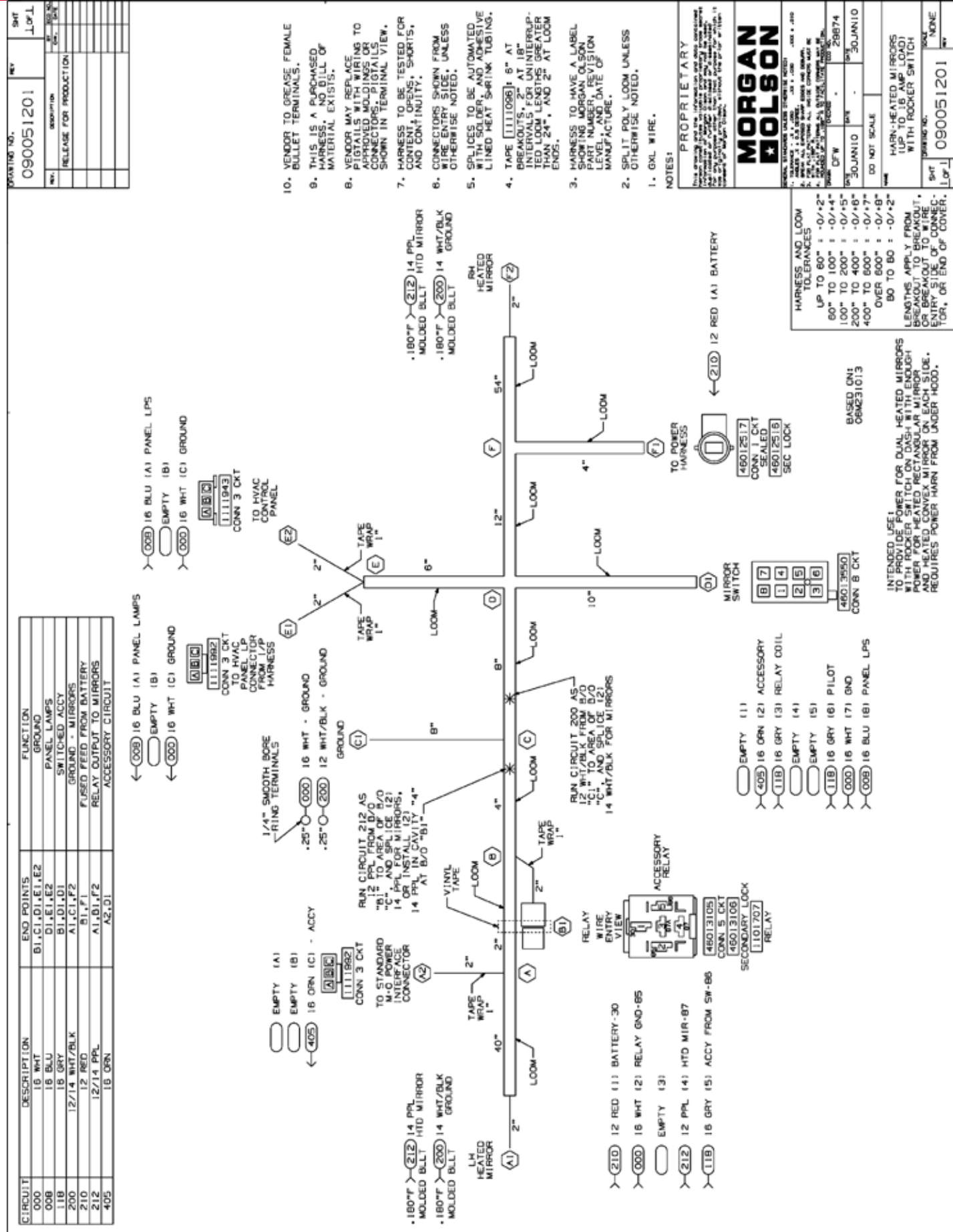
NOTES:
1. OXL WIRE.
2. SPLIT POLY LOOM UNLESS OTHERWISE NOTED.

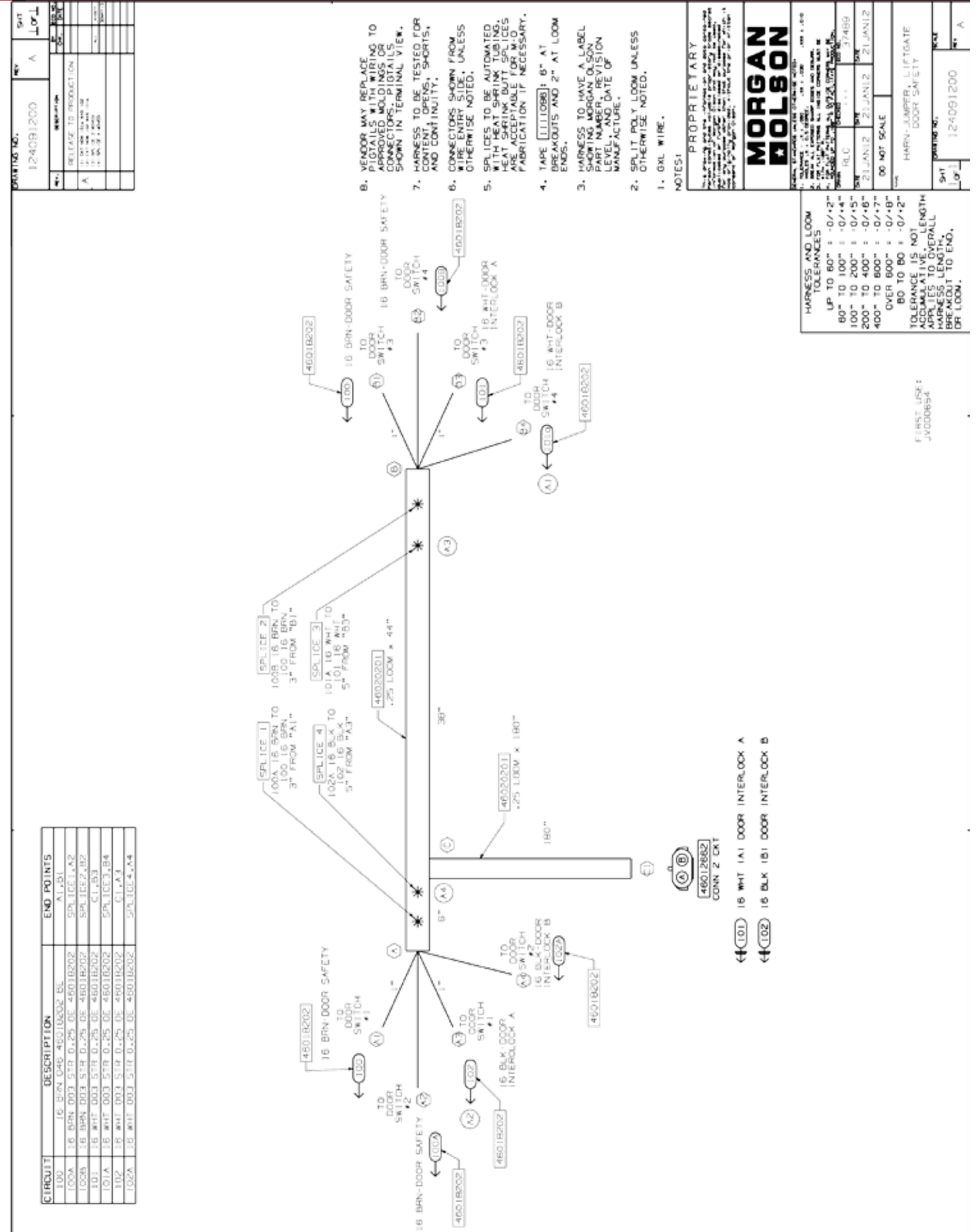
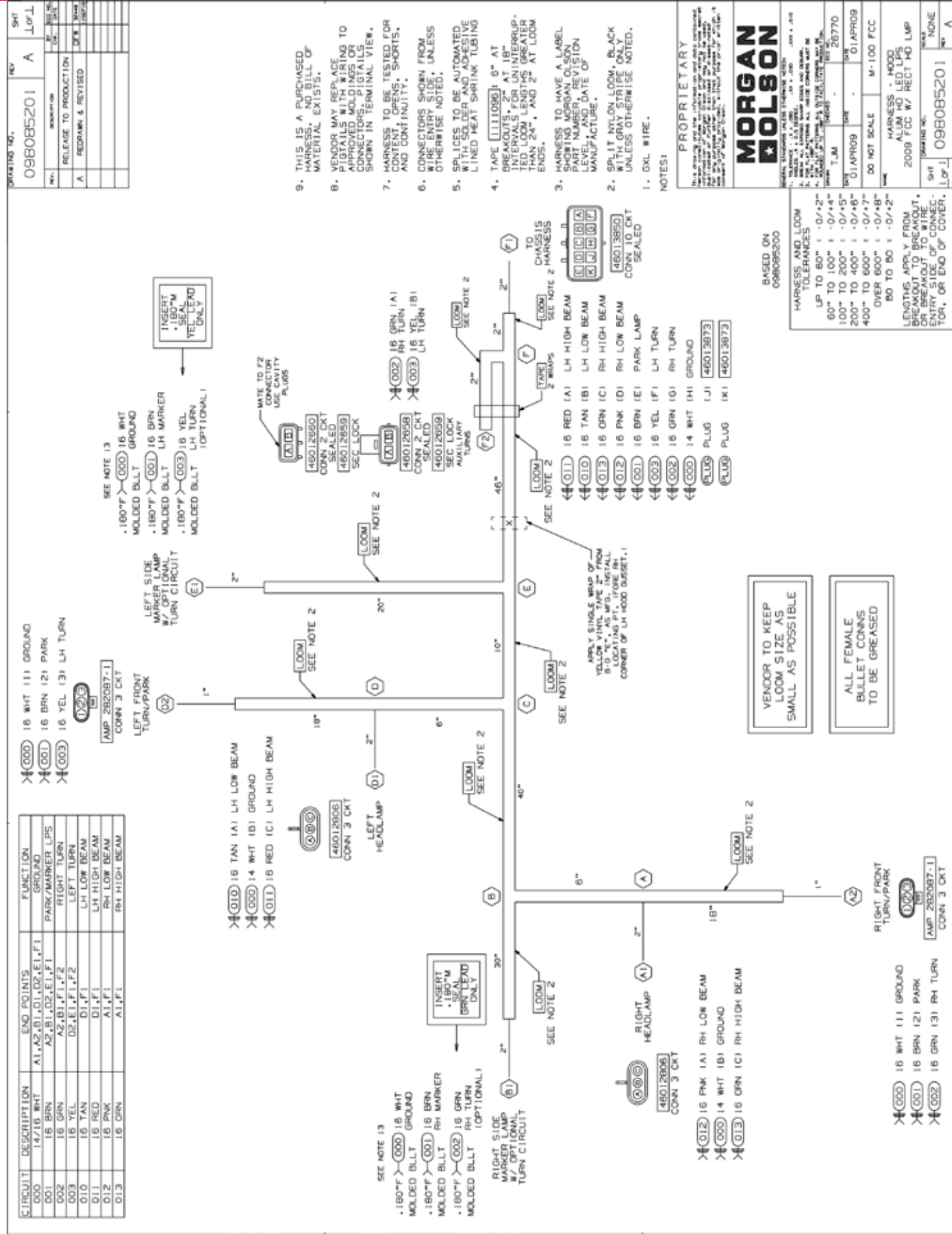
PROJECT:	818-0122	DATE:	17JUN15
DESIGNED BY:	MS	CHECKED BY:	MS
APPROVED BY:	MS	DATE:	17JUN15
DO NOT SCALE			

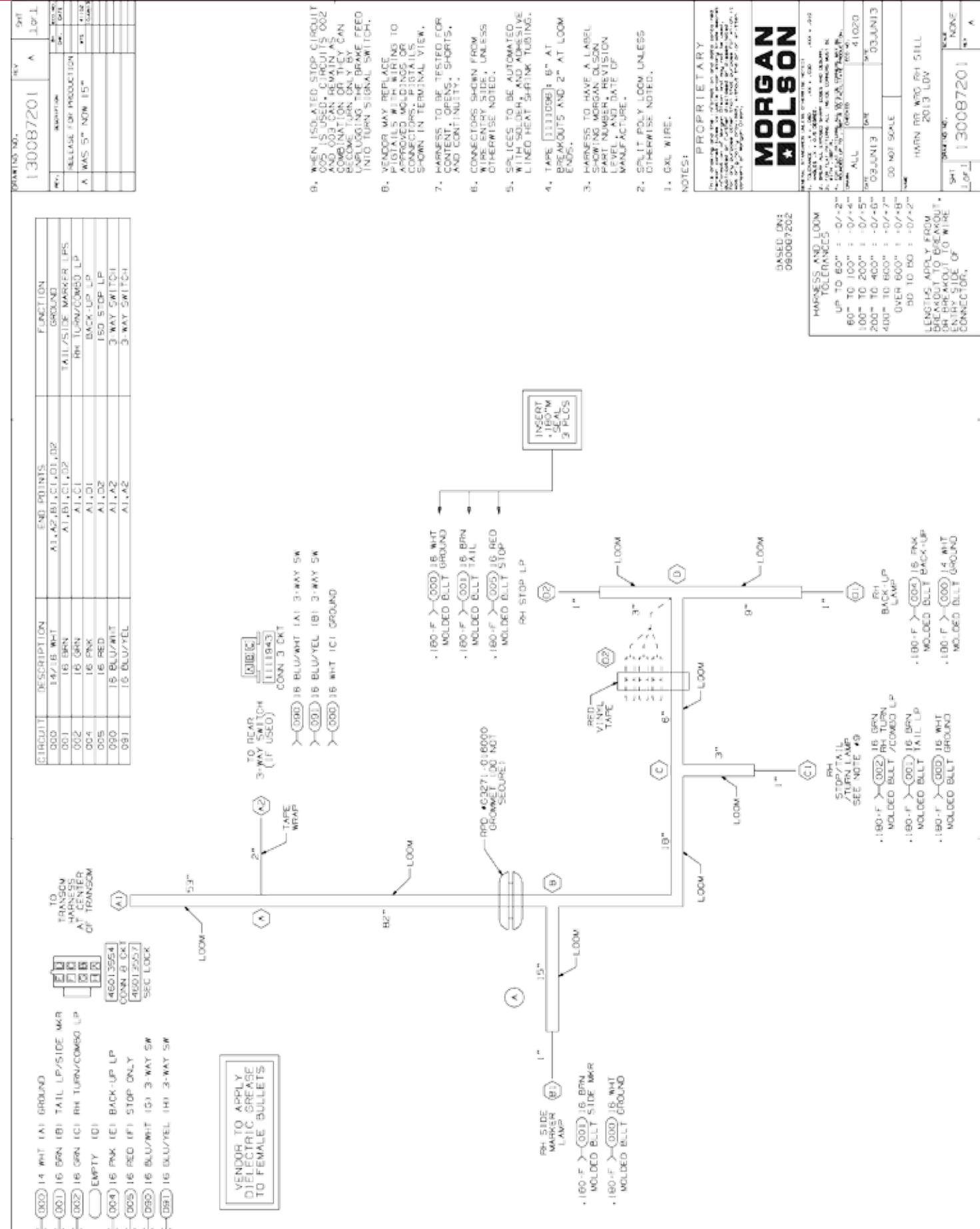
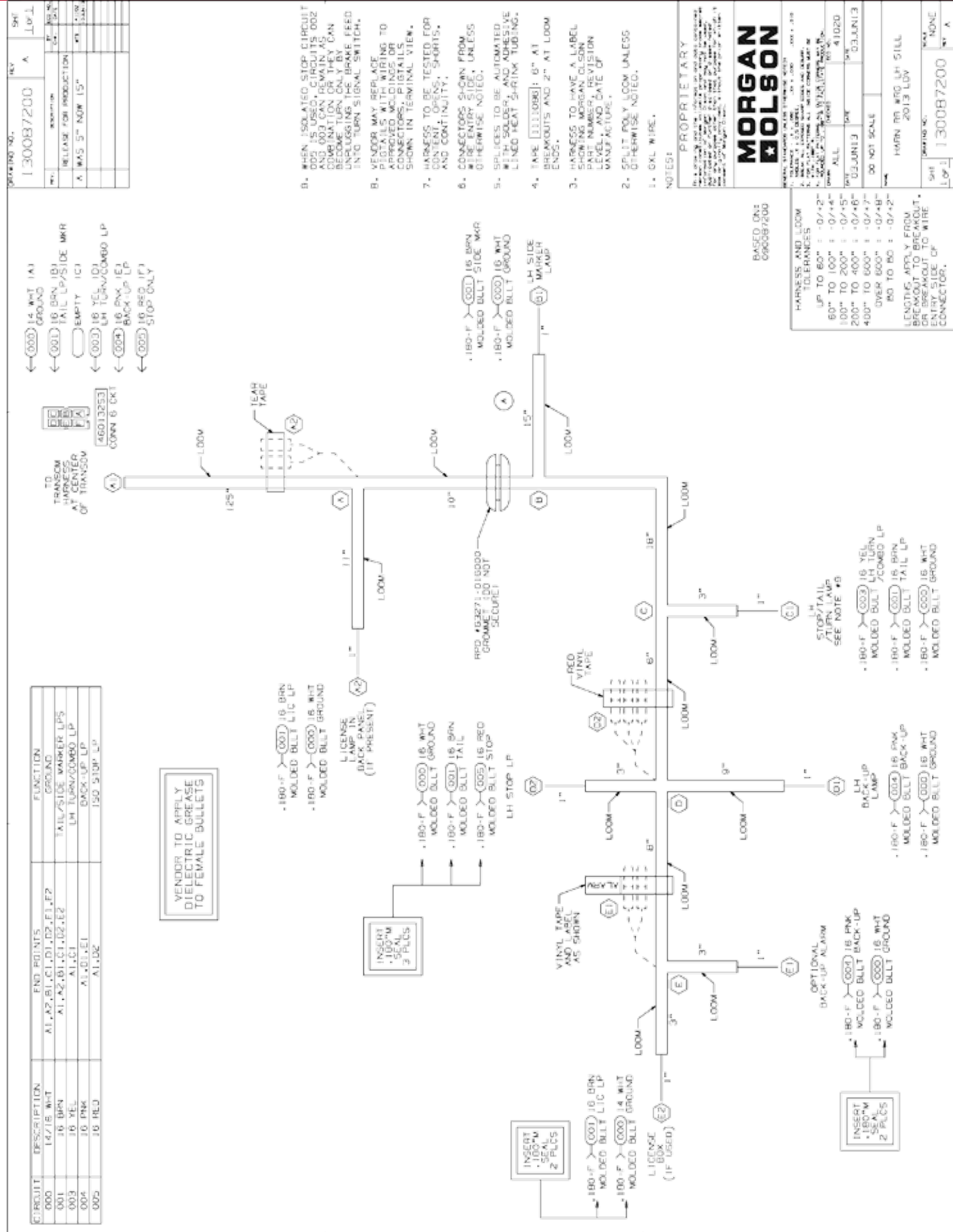
HARNESS AND LOOM TOLERANCES
UP TO 60" : -0/+2"
60" TO 100" : -0/+4"
100" TO 200" : -0/+5"
200" TO 400" : -0/+6"
400" TO 600" : -0/+7"
OVER 600" : -0/+8"
BD TO 80" : -0/+2"
TOLERANCE IS NOT APPLICABLE TO LENGTH APPLIES TO OVERALL HARNESS LENGTH, BREAKOUT TO END, OR LOOM.

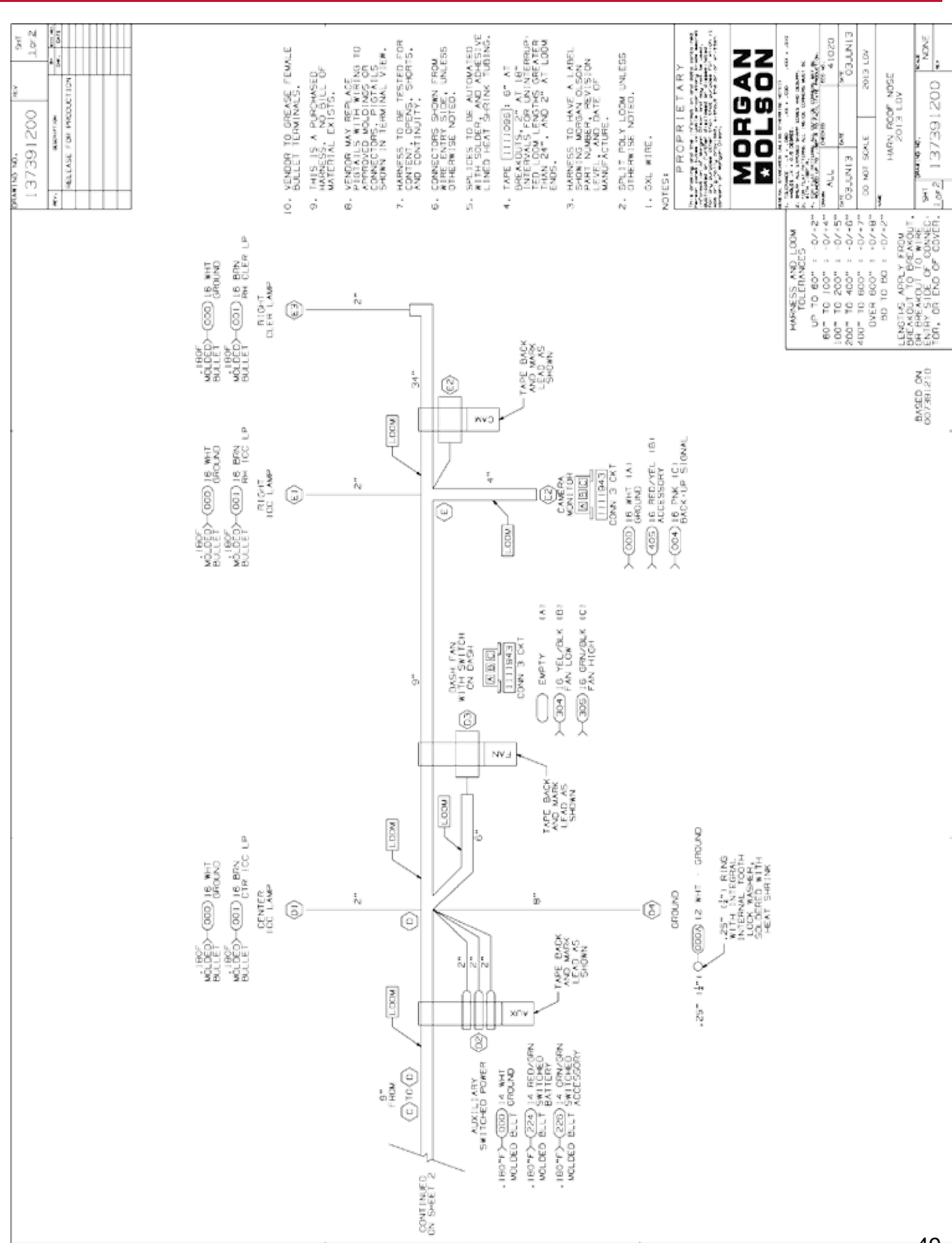
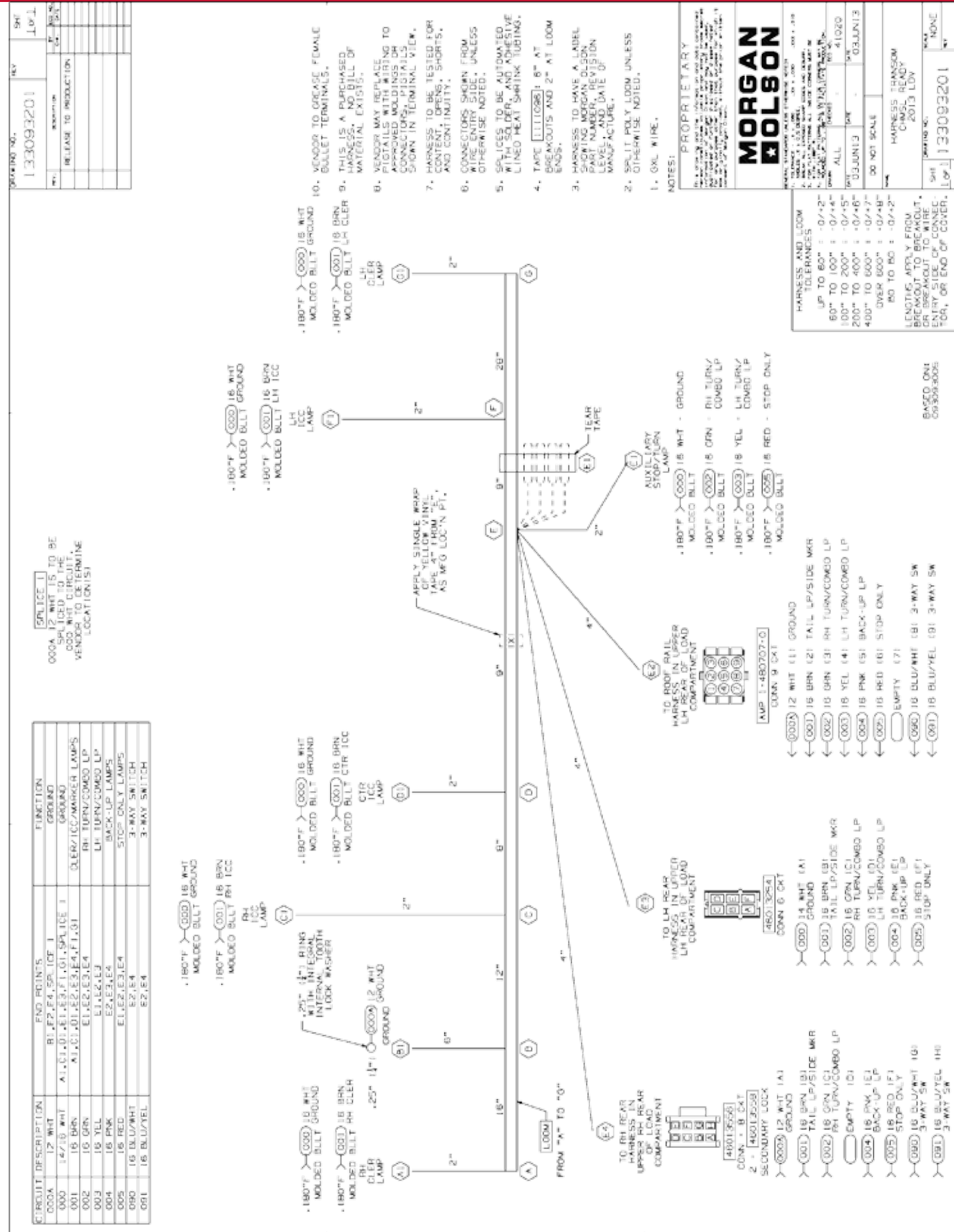
BASED ON: 074093201

PROJECT:	082091200	SHEET:	NONE
REV:		DATE:	
DESCRIPTION:		BY:	









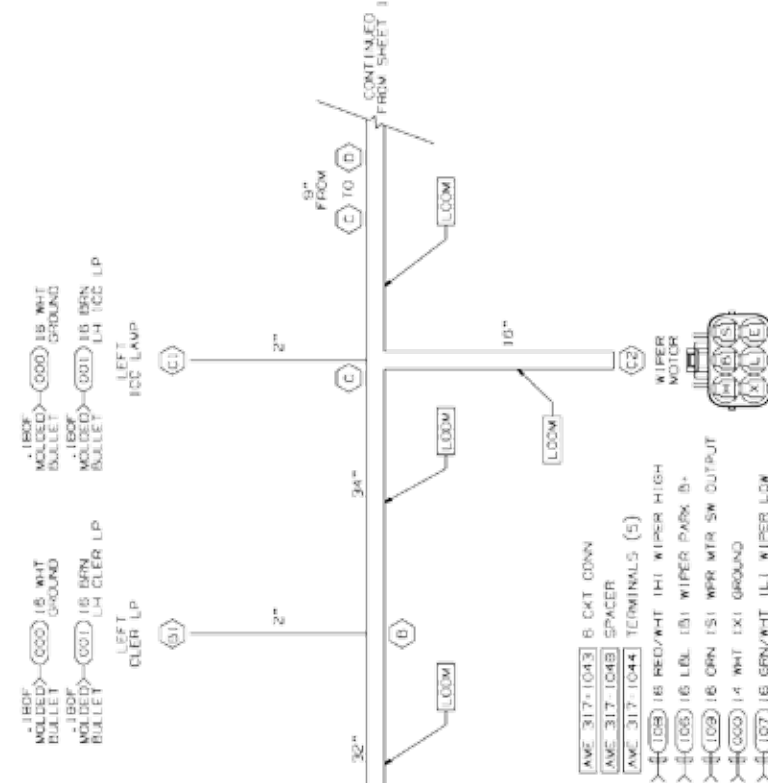
DRAWING NO.	REV	SHT
137391200		2 of 2
DATE	APPROVED BY	DATE
RELEASE FOR PRODUCTION		

CIRCUIT	GW/COLOR	END POINTS	FUNCTION
159	16 GRN	A1-G2	WIPER DR. SWITCH OUTPUT
224	14 RED/GRN	A1-G2	BATTERY - SWITCHED
228	14 CRN/GRN	A1-G2	ACCESSORY - SWITCHED
304	16 YEL/BLK	A1-G3	DASH FAN LOW
305	16 GRN/BLK	A1-G3	DASH FAN HIGH
405	16 RED/YEL	A1-G2	AUXILIARY ACCESSORY

CIRCUIT	GW/COLOR	END POINTS	FUNCTION
000A	12 WHT	A1-G4, SPLICE 1	GROUND
000	14/16 WHT	B3,C3,C4,D3,D2,E1,E2,E3,SPLICE 1	GROUND
001	16 BRN	A1,B1,C1,D1,E1,E3	CLEARANCE/ICC LPS
004	16 PNK	A1-G2	BACK-UP SIGNAL
006	16 LBL	A1-G2	WIPER PARK SWITCH B+
007	16 GRN/WHT	A1-G2	WIPER LOW
008	16 RED/WHT	A1-G2	WIPER HIGH

SPLICE 1
000A, 12 WHT IS TO BE
SPLICED TO THE
000B, 12 WHT CABLE
AFTER INSTALLATION.
VENDOR TO DETERMINE
LOCATION(S)

- ← 000A 12 WHT (1) GROUND
- ← 000 10 BRN (2) CLEARANCE/ICC LAMPS
- ← 000 14/16 WHT (2) BACK-UP SIGNAL
- ← 001 16 BRN (1) WIPER PARK SWITCH B+
- ← 004 16 PNK (1) WIPER LOW
- ← 006 16 LBL (1) WIPER HIGH
- ← 007 16 GRN/WHT (1) WIPER LOW
- ← 008 16 RED/WHT (1) WIPER HIGH
- ← 009 16 GRN (1) WIPER PARK SW OUTPUT
- ← 224 14 RED/GRN (1) BATT (SW)
- ← 228 14 CRN/GRN (1) ACCY (SW)
- ← 304 16 YEL/BLK (1) FAN LOW
- ← 305 16 GRN/BLK (1) FAN HIGH
- ← 405 16 RED/YEL (1) ACCESSORY

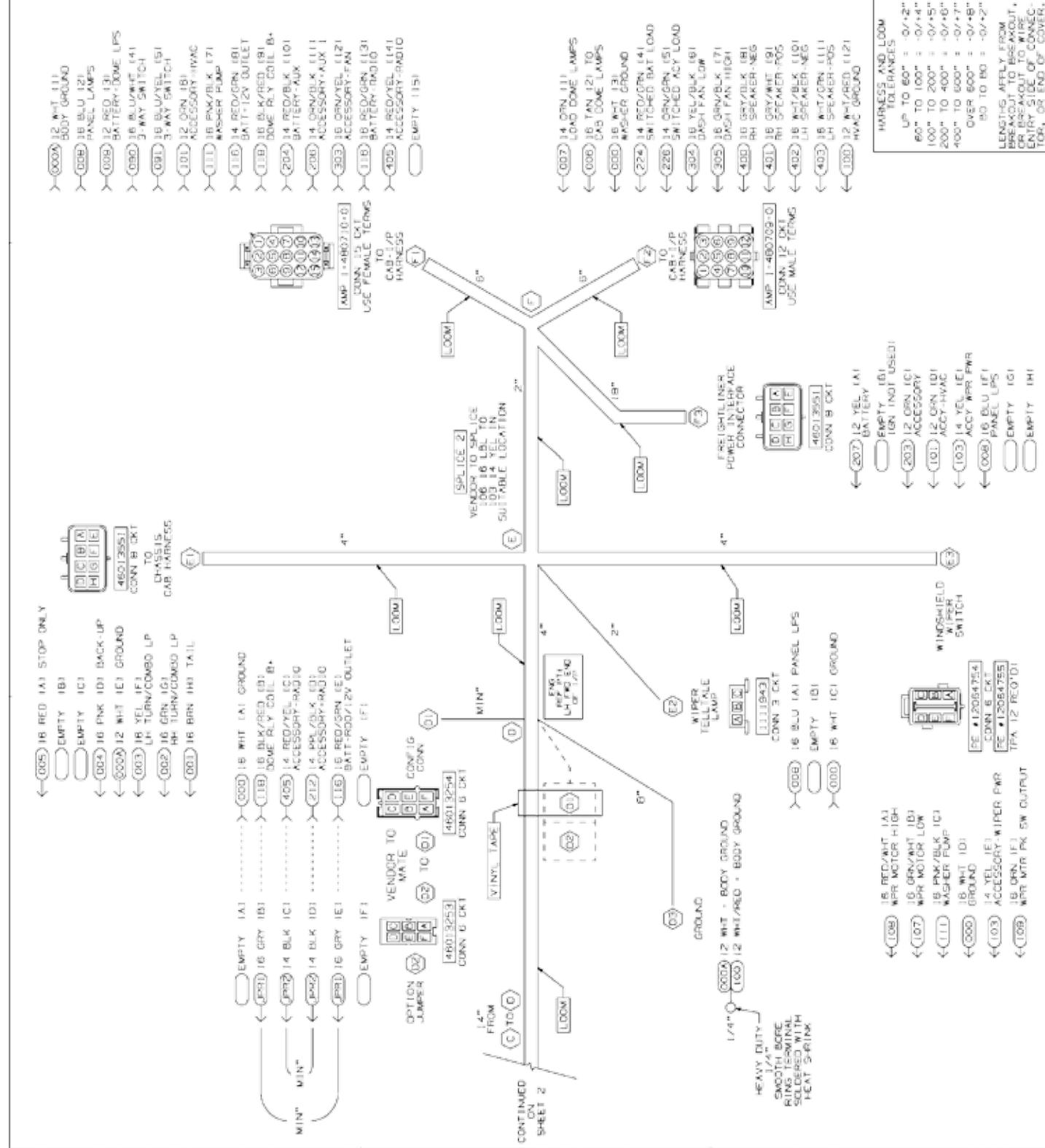


PROPRIETARY
 THIS INFORMATION IS THE PROPERTY OF MORGAN NOLSON AND IS NOT TO BE DISCLOSED TO ANY OTHER PARTY WITHOUT THE WRITTEN CONSENT OF MORGAN NOLSON.
MORGAN NOLSON
 12345 W. HWY. 101, SUITE 100
 DENVER, CO 80202
 ALL RIGHTS RESERVED
 DATE: 03/JAN/13
 BY: J. J. JONES
 DRAWING NO: 137391200
 REV: NONE
 SHEET: 2 of 2

16 WHT GROUND
 16 BRN WIPER PARK B+
 16 GRN WIPER SW OUTPUT
 14 WHT (1) GROUND
 16 GRN/WHT (1) WIPER LOW
 EMPTY (1)

AVE 317-1043 6 CKT CONN
 AVE 317-1048 SPACER
 AVE 317-1044 TERMINALS (5)
 16 RED/WHT (1) WIPER HIGH
 16 LBL (1) WIPER PARK B+
 16 BRN (1) WIPER SW OUTPUT
 14 WHT (1) GROUND
 16 GRN/WHT (1) WIPER LOW
 EMPTY (1)

DRAWING NO.	REV	SHT
138084200		1 of 2
DATE	APPROVED BY	DATE
RELEASE FOR PRODUCTION		



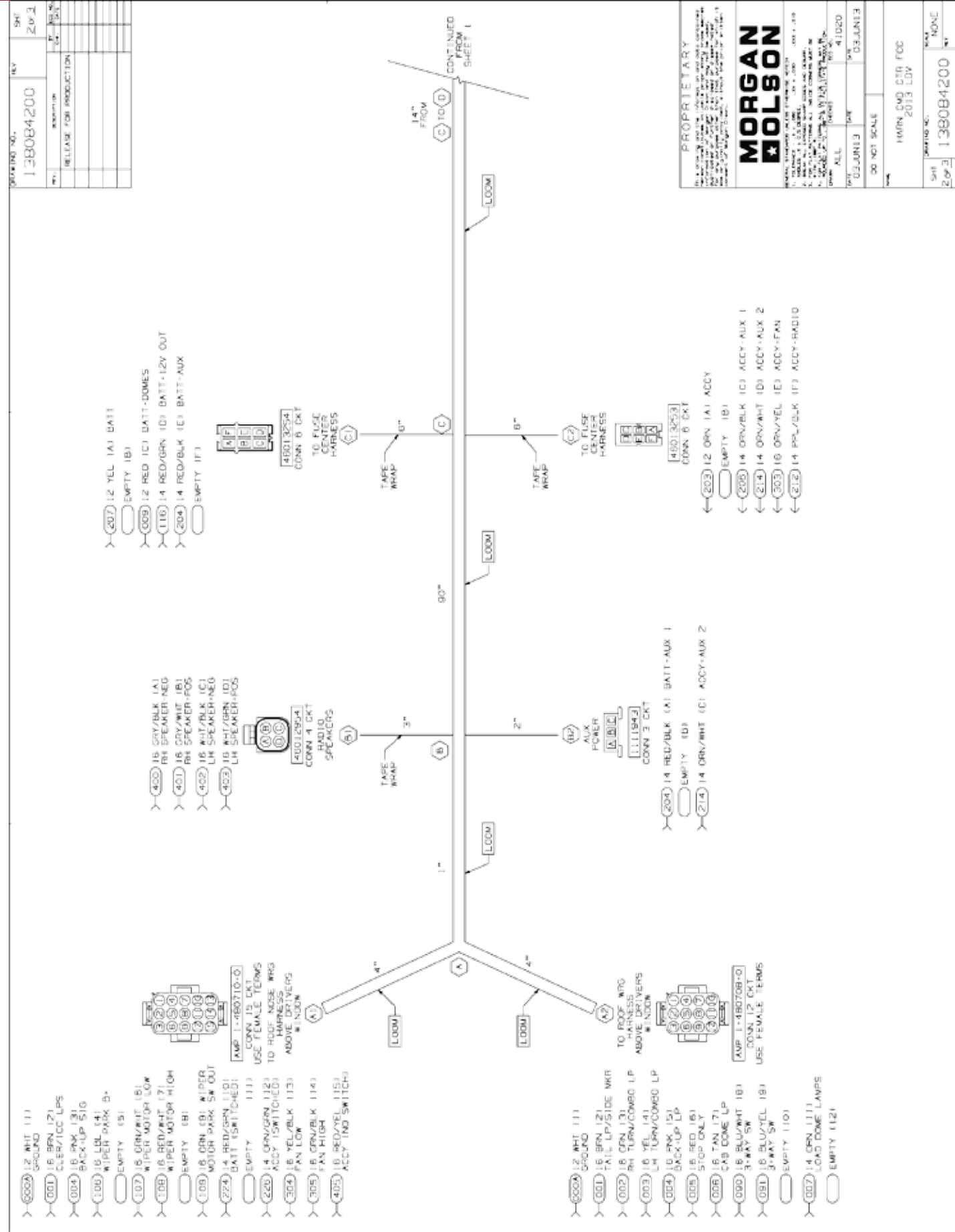
16 RED (1) STOP ONLY
 EMPTY (1)
 16 PNK (1) BACK-UP
 12 WHT (1) GROUND
 16 YEL (1) LP TURN/COMBO LP
 16 GRN (1) HP TURN/COMBO LP
 16 BRN (1) TAIL

EMPTY (1)
 16 WHT (1) GROUND
 16 BLK/RED (1) DOME RLY COIL B+
 14 RED/YEL (1) ACCESSORY-RADIO
 14 BLK (1) ACCESSORY-RADIO
 16 GRN (1) BATT-ROD/12V OUTLET
 EMPTY (1)

16 RED/WHT (1) WIPER MOTOR HIGH
 16 GRN/WHT (1) WIPER MOTOR LOW
 16 PNK/BLK (1) WIPER PUMP
 16 WHT (1) GROUND
 14 YEL (1) ACCESSORY-WIPER PWR
 16 BRN (1) WIPER SW OUTPUT

WIRING AND LOOM TOLERANCES
 LP TO 60" = +/-2"
 60" TO 100" = +/-4"
 100" TO 200" = +/-6"
 200" TO 400" = +/-8"
 400" TO 600" = +/-7.5"
 OVER 600" = +/-7.5"
 50 TO 100 = +/-2"
 LENGTHS APPLY FROM BREAKOUT TO WIRE OR BREAKOUT TO BREAKOUT, OR FROM CENTER OF CONSOLE TO END OF COVER.

PROPRIETARY
 THIS INFORMATION IS THE PROPERTY OF MORGAN NOLSON AND IS NOT TO BE DISCLOSED TO ANY OTHER PARTY WITHOUT THE WRITTEN CONSENT OF MORGAN NOLSON.
MORGAN NOLSON
 12345 W. HWY. 101, SUITE 100
 DENVER, CO 80202
 ALL RIGHTS RESERVED
 DATE: 03/JAN/13
 BY: J. J. JONES
 DRAWING NO: 138084200
 REV: NONE
 SHEET: 1 of 2



• OPTIONAL CIRCUITS 400 & 401 MAY BE SUPPLIED AS STANDARD SPEAKER "ZIP CORD" PAIRS. CIRCUIT NUMBER AND CONNECTOR INDEXING MUST BE MAINTAINED AS SHOWN.

• OPTIONAL CIRCUITS 402 & 403 MAY BE SUPPLIED AS STANDARD SPEAKER "ZIP CORD" PAIRS. CIRCUIT NUMBER AND CONNECTOR INDEXING MUST BE MAINTAINED AS SHOWN.

PROPRIETARY

MORGAN NOLSON

160RN CMO CTR FCC 2013 LDV

DATE: 03JUN13
BY: 41020
DO NOT SCALE

REV: 2013
138084200

PROPRIETARY

MORGAN NOLSON

160RN CMO CTR FCC 2013 LDV

DATE: 03JUN13
BY: 41020
DO NOT SCALE

REV: 2013
138084200

CIRCUIT	DESCRIPTION	END POINTS	FUNCTION
000	16 WHI	D1-E2-E3-F2-SP1-CE1	GROUND
001A	12 WHI	A1-A2-10-11-F1-SP1-1051	GROUND
001	16 BRN	A1-A2-E1	CLEAR/ICC LAMPS
002	16 GRN	A2-E1	RIGHT HAND TURN LAMP
003	16 YEL	A2-E1	LEFT HAND TURN LAMP
004	16 PPK	A1-A2-E1	BACK-UP LP SIGNAL
005	16 RED	A2-F1	STOP ONLY LAMP
006	16 TAN	A2-F2	CAB DOME LAMP
007	14 GRN	A2-F2	LOAD DOME LAMPS
008	16 BLU	E2-F1-F3	DASH ILLUM
009	12 RED	C1-F1	BATTERY-DOME LAMP RELAY FEED
090	16 BLU/WHI	A2-F1	LOAD DM 3M SW
091	16 BLU/YEL	A2-F1	LOAD DM 5M SW
100	12 WHI/RED	F2-03	ELECTRIC HVAC GROUND
101	12 GRN	F1-F3	ELECTRIC WIPER POWER
104	14 YEL	E1-F1-SP1-ICE-2	ACCESSORY WIPER POWER
106	16 LBL	A1-SP1-ICE-2	WIPER POWER (B+)
107	16 GRN/WHI	A1-F3	WIPER MOTOR LOW
108	16 RED/WHI	A1-F3	WIPER MOTOR HIGH
109	16 GRN	A1-F3	WIPER MOTOR PARK SWITCH OUTPUT
111	16 PPK/BLK	E2-F1	WASHER PUMP
116	14/16 RED/GRN	C1-01-F1-F1	BAT-12V OUTLET/RADIO
118	16 BLK/RED	D1-F1	LOAD DOME RELAY COIL (B+)
203	12 GRN	C2-F3	ACCESSORY TO FUSE BLOCK
204	14 RED/BLK	B2-C1-F1	BATTERY-AUXILIARY 1
206	14 GRN/BLK	C2-F1	ACCESSORY-AUXILIARY 1
207	12 YEL	C1-F3	BATTERY TO FUSE BLOCK
212	14 PPL/BLK	C2-01	ACCESSORY-RADIO
214	14 GRN/WHI	B2-C2	ACCESSORY-AUXILIARY 2
226	14 RED/GRN	A1-F2	BATTERY-AUXILIARY SWITCHED
228	14 GRN/GRN	A1-F2	ACCESSORY-AUXILIARY SWITCHED
304	16 YEL/BLK	C2-F1	DASH FAN LOW
305	16 GRN/BLK	A1-F2	DASH FAN HIGH
400	16 GRY/BLK	B1-F2	RH SPEAKER 1-1
401	16 GRY/WHI	B1-F2	LH SPEAKER 1-1
402	16 WHI/BLK	B1-F2	LH SPEAKER 1-1
403	16 WHI/GRN	B1-F2	LH SPEAKER 1-1
405	14/16 RED/YEL	A1-01-F1	ACCY RADIO/CAM
J94	16 GRY	D1-01	BATTERY-LOW VOLTAGE SWITCH
J92	14 BLK	D1-01	ACCESSORY-LOW VOLTAGE SWITCH

• OPTIONAL CIRCUITS 400 & 401 MAY BE SUPPLIED AS STANDARD SPEAKER "ZIP CORD" PAIRS. CIRCUIT NUMBER AND CONNECTOR INDEXING MUST BE MAINTAINED AS SHOWN.

• OPTIONAL CIRCUITS 402 & 403 MAY BE SUPPLIED AS STANDARD SPEAKER "ZIP CORD" PAIRS. CIRCUIT NUMBER AND CONNECTOR INDEXING MUST BE MAINTAINED AS SHOWN.

PROPRIETARY

MORGAN NOLSON

160RN CMO CTR FCC 2013 LDV

DATE: 03JUN13
BY: 41020
DO NOT SCALE

REV: 2013
138084200

