



**PARTS CATALOG
2014-2015**



2015 MORGAN OLSON BODY
2015 FREIGHTLINER MT45 CHASSIS

JV000957
16' x 93W" x 85H"



PUBLISHED 06.2016
1.800.233.4823
WWW.MORGANOLSON.COM



TABLE OF CONTENTS & CATALOG APPLICATION GUIDE	2
INTRODUCTION	3
CAB & ENGINE BOX	4
STEPS	5
WINDSHIELD	6
INSTRUMENT PANEL	7
HOOD	8-9
SEATS	10
FLOOR	11
SIDES	12-13
ROOF	14
REAR	15
SIDE DOOR	16
SIDE DOOR POCKET	17
ROLL UP WINDOW	18
BULKHEAD	19
REAR DOORS	20-21
STIFFENERS	22
BUMPERS	23
MIRRORS & WINDSHIELD WIPERS	24-25
HEATER	26-27
MISCELLANEOUS	28-29
BATTERY BOX	30
WALK-IN VAN COMMON FASTENERS	31-35
ELECTRICAL	36-37
WIRING DIAGRAMS	38-57

THIS CATALOG APPLIES TO THE FOLLOWING SNAP ON LDV VEHICLES

4UZAAPDU0FCGJ7735	4UZAAPDU2FCGL7582	4UZAAPDU4FCGN7168	4UZAAPDU6FCGN7205	4UZAAPDU8FCGN7254
4UZAAPDU0FCGJ7749	4UZAAPDU2FCGN7136	4UZAAPDU4FCGN7171	4UZAAPDU6FCGN7219	4UZAAPDU9FCGJ7748
4UZAAPDU0FCGL7578	4UZAAPDU2FCGN7153	4UZAAPDU4FCGN7185	4UZAAPDU6FCGN7222	4UZAAPDU9FCGL7577
4UZAAPDU0FCGL7581	4UZAAPDU2FCGN7167	4UZAAPDU4FCGN7199	4UZAAPDU6FCGN7236	4UZAAPDU9FCGL7580
4UZAAPDU0FCGL7595	4UZAAPDU2FCGN7170	4UZAAPDU4FCGN7204	4UZAAPDU6FCGN7253	4UZAAPDU9FCGL7594
4UZAAPDU0FCGN7149	4UZAAPDU2FCGN7184	4UZAAPDU4FCGN7218	4UZAAPDU7FCGJ7747	4UZAAPDU9FCGN7148
4UZAAPDU0FCGN7152	4UZAAPDU2FCGN7198	4UZAAPDU4FCGN7221	4UZAAPDU7FCGL7576	4UZAAPDU9FCGN7151
4UZAAPDU0FCGN7166	4UZAAPDU2FCGN7203	4UZAAPDU4FCGN7235	4UZAAPDU7FCGL7593	4UZAAPDU9FCGN7165
4UZAAPDU0FCGN7183	4UZAAPDU2FCGN7217	4UZAAPDU4FCGN7249	4UZAAPDU7FCGN7147	4UZAAPDU9FCGN7179
4UZAAPDU0FCGN7197	4UZAAPDU2FCGN7220	4UZAAPDU4FCGN7252	4UZAAPDU7FCGN7150	4UZAAPDU9FCGN7196
4UZAAPDU0FCGN7202	4UZAAPDU2FCGN7234	4UZAAPDU5FCGJ7746	4UZAAPDU7FCGN7164	4UZAAPDU9FCGN7201
4UZAAPDU0FCGN7216	4UZAAPDU2FCGN7248	4UZAAPDU5FCGL7575	4UZAAPDU7FCGN7178	4UZAAPDU9FCGN7215
4UZAAPDU0FCGN7233	4UZAAPDU2FCGN7251	4UZAAPDU5FCGL7589	4UZAAPDU7FCGN7181	4UZAAPDU9FCGN7229
4UZAAPDU0FCGN7247	4UZAAPDU3FCGJ7745	4UZAAPDU5FCGL7592	4UZAAPDU7FCGN7195	4UZAAPDU9FCGN7232
4UZAAPDU0FCGN7250	4UZAAPDU3FCGL7574	4UZAAPDU5FCGN7146	4UZAAPDU7FCGN7200	4UZAAPDU9FCGN7246
4UZAAPDU1FCGJ7744	4UZAAPDU3FCGL7588	4UZAAPDU5FCGN7163	4UZAAPDU7FCGN7214	4UZAAPDUXFCGJ7743
4UZAAPDU1FCGL7573	4UZAAPDU3FCGL7591	4UZAAPDU5FCGN7177	4UZAAPDU7FCGN7228	4UZAAPDUXFCGL7572
4UZAAPDU1FCGL7587	4UZAAPDU3FCGN7145	4UZAAPDU5FCGN7180	4UZAAPDU7FCGN7231	4UZAAPDUXFCGL7586
4UZAAPDU1FCGL7590	4UZAAPDU3FCGN7159	4UZAAPDU5FCGN7194	4UZAAPDU7FCGN7245	4UZAAPDUXFCGN7143
4UZAAPDU1FCGN7144	4UZAAPDU3FCGN7162	4UZAAPDU5FCGN7213	4UZAAPDU8FCGJ7739	4UZAAPDUXFCGN7157
4UZAAPDU1FCGN7158	4UZAAPDU3FCGN7176	4UZAAPDU5FCGN7227	4UZAAPDU8FCGJ7742	4UZAAPDUXFCGN7160
4UZAAPDU1FCGN7161	4UZAAPDU3FCGN7193	4UZAAPDU5FCGN7230	4UZAAPDU8FCGL7585	4UZAAPDUXFCGN7174
4UZAAPDU1FCGN7175	4UZAAPDU3FCGN7209	4UZAAPDU5FCGN7244	4UZAAPDU8FCGN7139	4UZAAPDUXFCGN7188
4UZAAPDU1FCGN7189	4UZAAPDU3FCGN7212	4UZAAPDU6FCGJ7738	4UZAAPDU8FCGN7142	4UZAAPDUXFCGN7191
4UZAAPDU1FCGN7192	4UZAAPDU3FCGN7226	4UZAAPDU6FCGJ7741	4UZAAPDU8FCGN7156	4UZAAPDUXFCGN7207
4UZAAPDU1FCGN7208	4UZAAPDU3FCGN7243	4UZAAPDU6FCGL7584	4UZAAPDU8FCGN7173	4UZAAPDUXFCGN7210
4UZAAPDU1FCGN7211	4UZAAPDU4FCGJ7737	4UZAAPDU6FCGN7138	4UZAAPDU8FCGN7187	4UZAAPDUXFCGN7224
4UZAAPDU1FCGN7225	4UZAAPDU4FCGJ7740	4UZAAPDU6FCGN7141	4UZAAPDU8FCGN7190	4UZAAPDUXFCGN7238
4UZAAPDU1FCGN7239	4UZAAPDU4FCGL7583	4UZAAPDU6FCGN7155	4UZAAPDU8FCGN7206	4UZAAPDUXFCGN7241
4UZAAPDU1FCGN7242	4UZAAPDU4FCGN7137	4UZAAPDU6FCGN7169	4UZAAPDU8FCGN7223	
4UZAAPDU2FCGJ7736	4UZAAPDU4FCGN7140	4UZAAPDU6FCGN7172	4UZAAPDU8FCGN7237	
4UZAAPDU2FCGL7579	4UZAAPDU4FCGN7154	4UZAAPDU6FCGN7186	4UZAAPDU8FCGN7240	

This parts guide contains illustrations and part numbers for Snap On package delivery cars and applies to bill of material # JV000957 produced in 2014 and 2015.

This book has been divided into chapters. Each chapter has illustrations with part numbers and descriptions. When possible, each part is pointed out to help identify it. Orientation references are from the rear of the vehicle facing forward. LH (LEFT HAND) is roadside and RH (RIGHT HAND) is curb-side.

Optional parts assemblies may be included in product illustrations that were not installed as part of the original vehicle order.

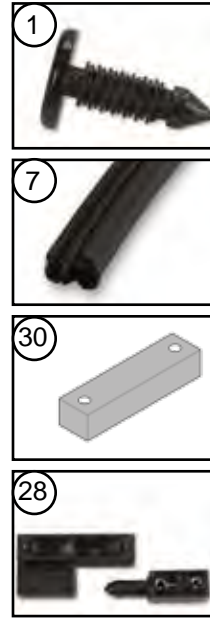
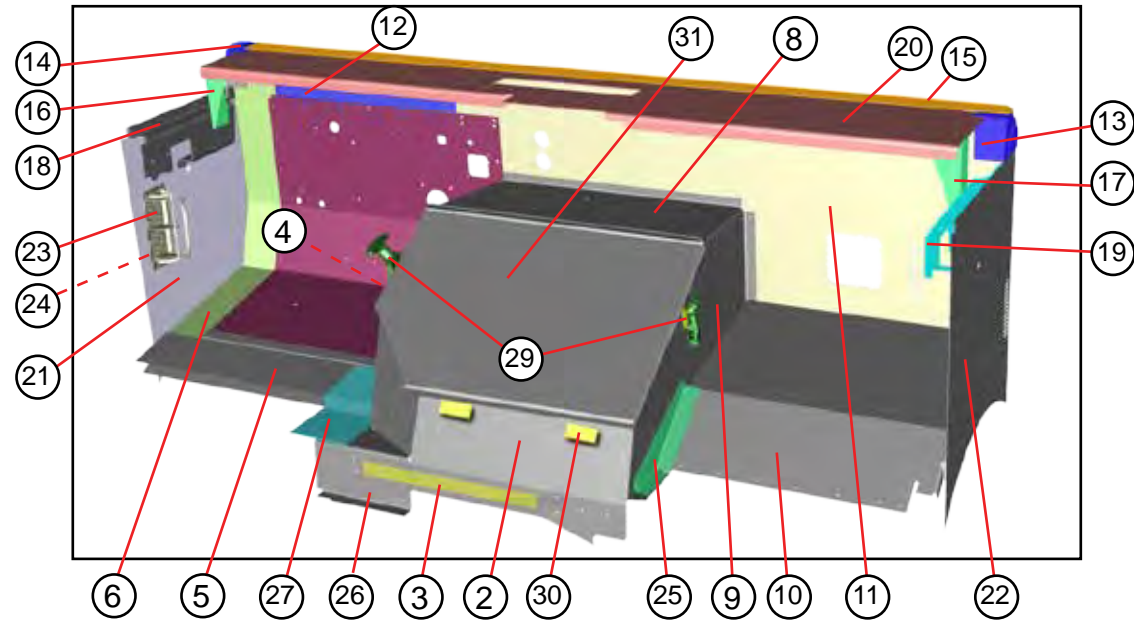
Procedure to Order Parts

1. Depending on the part desired, turn to the appropriate section.
2. Locate the desired part on the illustration page(s) and note it's part number.
3. Contact a Morgan Olson Service Parts Representative. Have part numbers readily available.
4. When placing orders, specify vehicle VIN number.
5. For roll-up door parts, please have door serial number available. (See page 20)

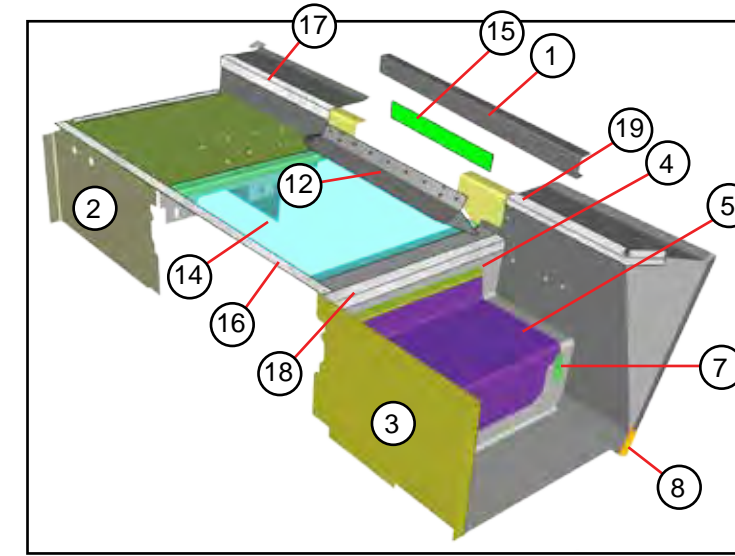
FOR WARRANTY INFORMATION CALL 1-800-262-3437

ANY QUESTIONS OR CONCERNS SHOULD BE DIRECTED TO YOUR SERVICE PARTS REPRESENTATIVE AT 1-800-233-4823

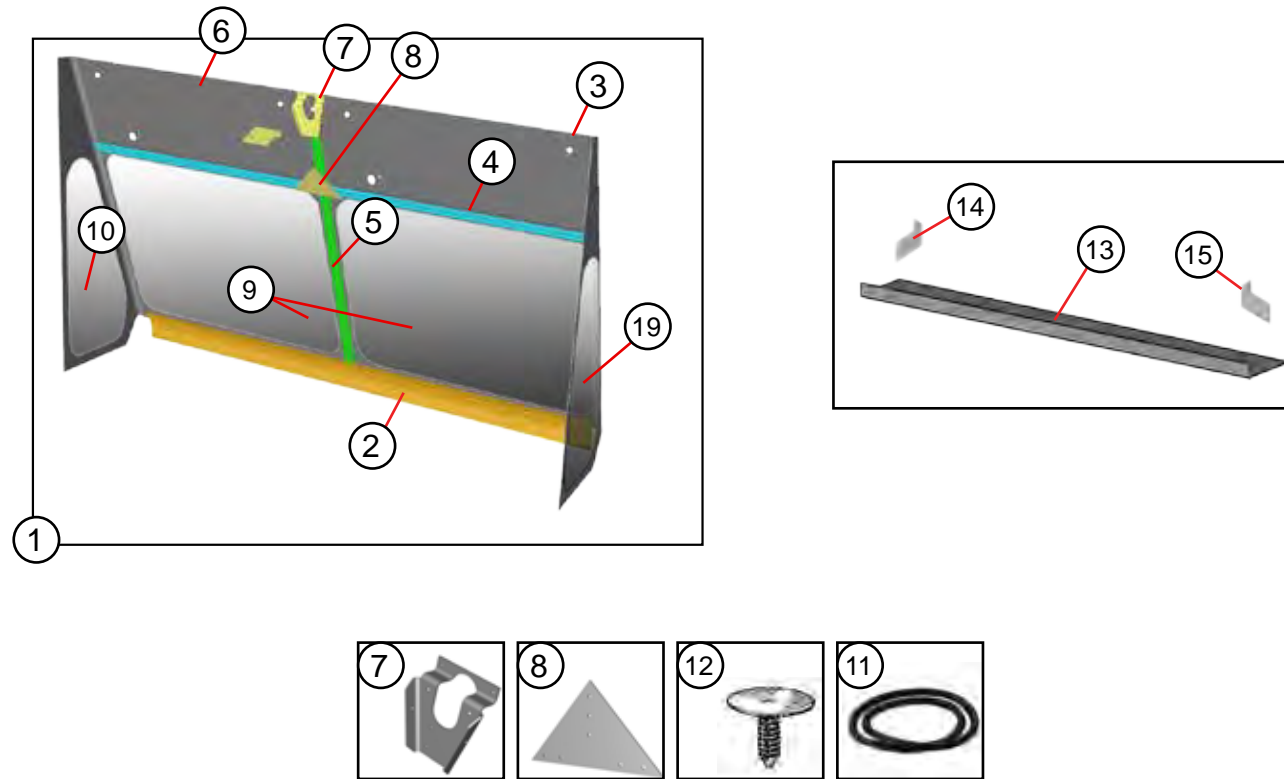
At Morgan Olson, our quest for quality and safety is ongoing and therefore the specifications on the product described herein may vary over time. Please contact Morgan Olson for the latest product information and available safety features and options.



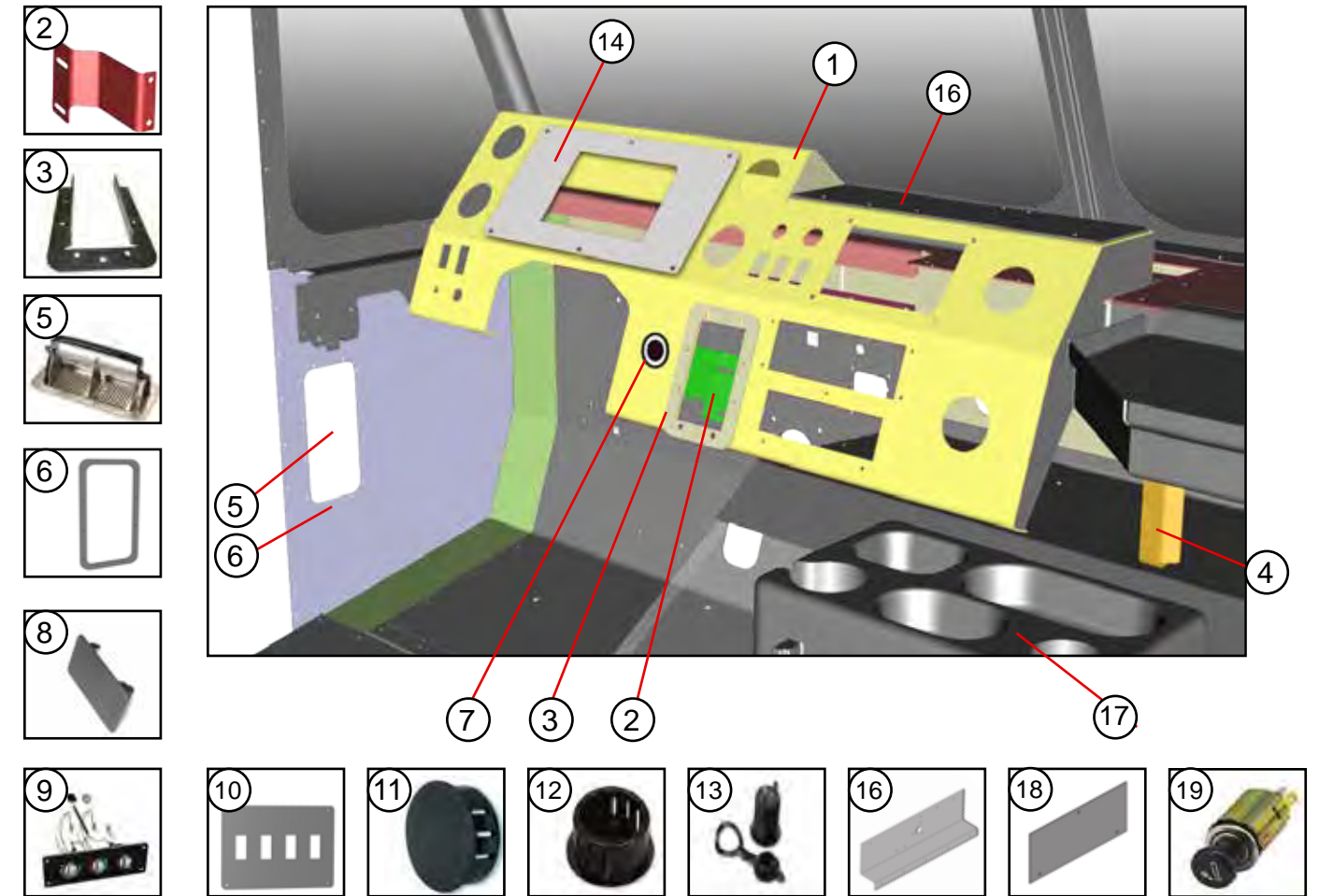
ITEM #	PART #	DESCRIPTION	QTY.	UNIT
1	47006630	CLIP PLASTIC ROUND/HEAD 1.32-1.34	27	EA
2	098005502	ENGINE BOX SADDLE AL .125X19.69X32.66	1	EA
3	077050402	SHIM AL .25X1.62X20.8	1	EA
4	098005503	ENGINE BOX SIDE ROADSIDE AL .102X21.24X27.96 LH	1	EA
5	077050423	TOE BOARD ROADSIDE AL .125X8.7X33.53 LH	1	EA
6	077050419	TOE BOARD DASH ROADSIDE AL .125X7.62X42.1 LH	1	EA
7	1107270	SEAL TRIM RUBBER	8	FT
8	098005400	ENGINE BOX TOP AL .125X15.86X32.75	1	EA
9	098005501	ENGINE BOX HOUSING AL .102X20.85X32.55 RH	1	EA
10	098005462	DASH PANEL AL .102X29.44X28	1	EA
11	098005472	DASH WALL CURBSIDE AL .125X25.9X62.92	1	EA
12	077050408	DASH WALL ROADSIDE AL .125X8.84X27.25	1	EA
13	8502001	CORNER CASTING CURBSIDE	1	EA
14	8502000	CORNER CASTING ROADSIDE	1	EA
15	083023402	WINDSHIELD RAIL AL 851100X89	1	EA
16	083005418	SUPPORT RAIL ROADSIDE AL .102X5.74X8.27 LH	1	EA
17	083005419	SUPPORT RAIL CURBSIDE AL .102X5.74X8.27 RH	1	EA
18	077050400	STIFFENER ROADSIDE AL .125X10.93X17.81 LH	1	EA
19	077050401	STIFFENER CURBSIDE AL .125X10.93X17.81 RH	1	EA
20	093005512	DASH SHELF AL .125X13.74X89	1	EA
21	093005421	CAB SKIRT ROADSIDE AL .070X27.28X30.57 LH	1	EA
22	108005401	CAB SKIRT CURBSIDE AL .070X27.28X30.57 RH	1	EA
23	47008545	VENT 2 WAY HINGLESS	1	EA
24	47008548	VENT GASKET	1	EA
25	077050406	GUSSET TOE BOARD CURBSIDE AL .125X5.33X14.88 RH	1	EA
26	077050411	FILLER SADDLE AL .125X11.79X14.49	1	EA
27	077050446	HEEL SCUFF PLATE ALD .125X7X13.38	1	EA
28	47007859	HINGE OFFSET	2	EA
29	1113336	LATCH	2	EA
30	117028400	SHIM ENGINE BOX	2	EA
31	118028400	LID ENGINE BOX AL .102X20.28X34.23	1	EA



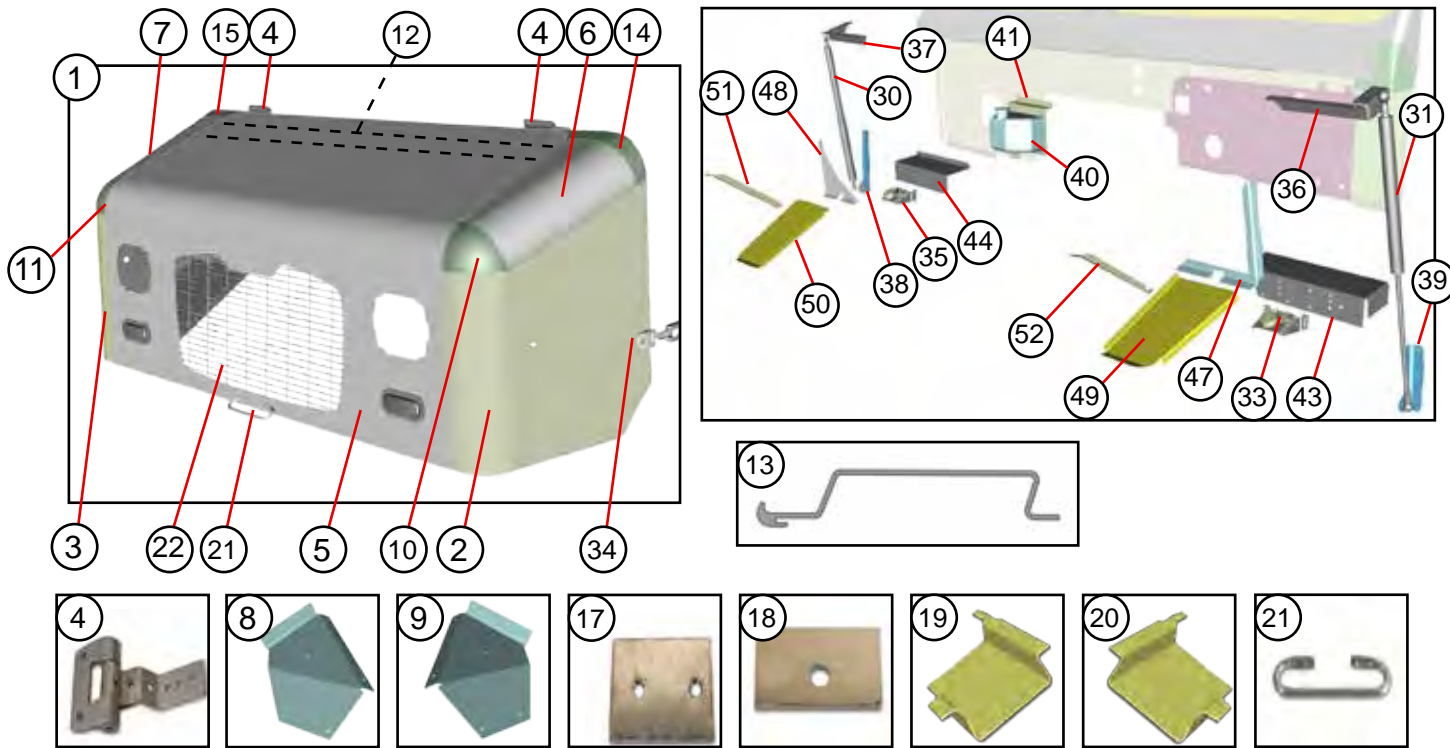
ITEM #	PART#	DESCRIPTION	QTY.	UNIT
1	077240400	CROSS MEMBER CENTER AL 456106X41	1	EA
2	088024246	STEP ASSEMBLY CAB ROADSIDE	1	EA
3	098024202	STEP ASSEMBLY CAB CURBSIDE	1	EA
4	006324498	HINGE AL .075X1.12X1.75X21	1	EA
5	107024419	LID BATTERY ALD .125X22.25X24.82	1	EA
6	96724608	PAD DAMPENING 45200007X9X20	1	EA
7	1113334	LATCH STRAP	2	EA
8	084024415	RISER CORNER AL .125X3.5X3.61	1	EA
9	40900080	STUD	4	EA
10	40900081	GROMMET HALF	4	EA
11	40900082	SPRING	4	EA
12	077024402	ANGLE TRIM FLOOR AL .102X6.35X38.7	1	EA
13	108024201	FLOOR TRANSVERSE WELDMENT	1	EA
14	47001053	GRAB RAIL FIXED YELLOW	1	EA
15	077050402	SHIM AL .25X1.62X20.8	1	EA
16	083019413	TRIM MAT @ O/LN ALD .08X2.29X63.41	1	EA
17	103019402	TRIM TOEBOARD ALD .08X2.63X30.58 LH	1	EA
18	090019403	TRIM STEP ALD .08X2.69X26.5 RH	1	EA
19	090019401	TRIM TOEBOARD ALD .08X2.69X26.5 RH	1	EA
NS	42002055	MAT FLOOR SOUND ABSORBING 60X95	1	EA



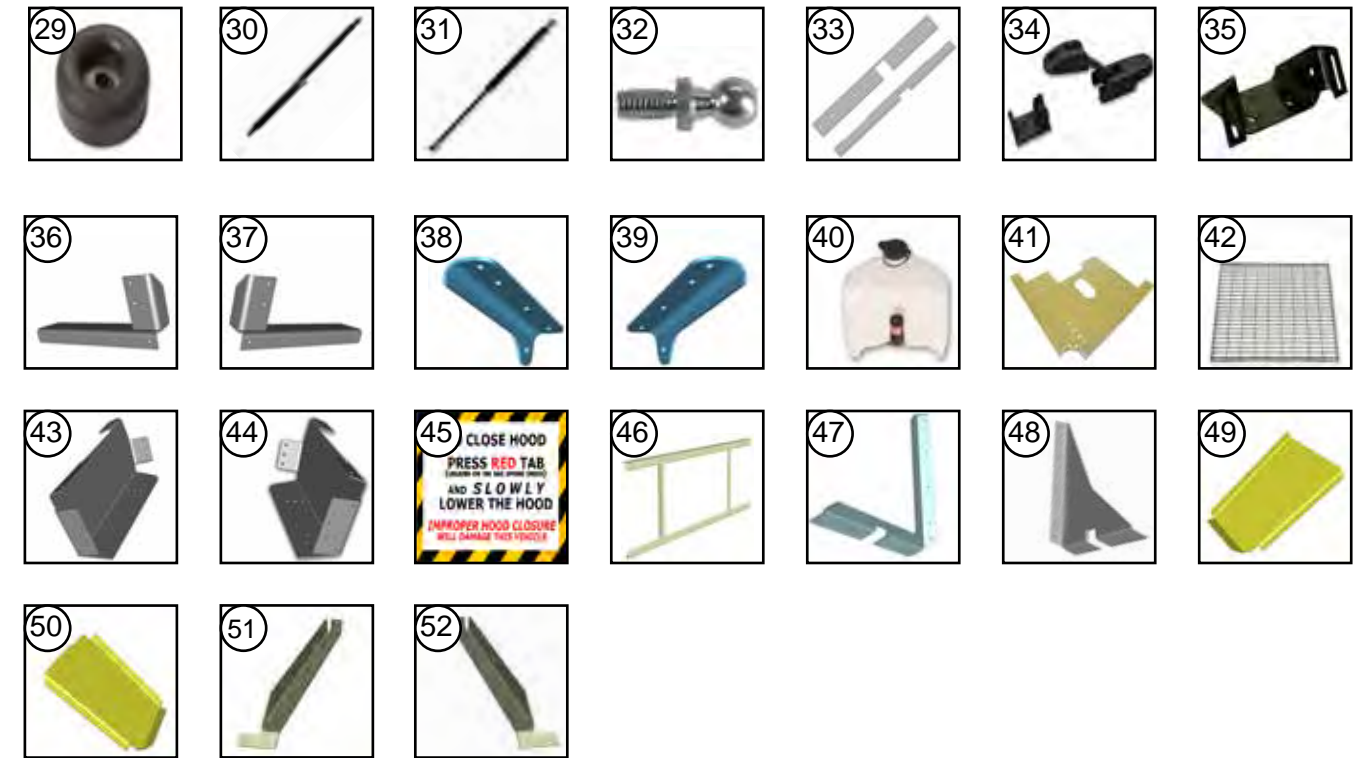
ITEM #	PART #	DESCRIPTION	QTY.	UNIT
1	088055204	WINDSHIELD ASSEMBLY 85H93W NO VENT	1	EA
2	083023402	WINDSHIELD RAIL 93W AL 851100X89	1	EA
3	088055406	FRAME WINDSHEILD CURBSIDE AL .102X53.45X70.25	1	EA
4	077055404	STIFFNER W/S AL 450540X44.25	2	EA
5	077055401	POST W/S CENTER AL 450540X44.84	1	EA
6	088055405	FRAME WINDSHEILD ROADSIDE AL .102X53.45X69.95	1	EA
7	077055402	GUSSET FRAME W/S AL .125X6.49X7.27	1	EA
8	998555329	GUSSET FRAME W/S AL .125X4.6X9.19	1	EA
9	96756400	GLASS WINDSHIELD	2	EA
10	006756400	GLASS SIDE TRIANGLE	2	EA
11	44004303	WEATHER STRIPPING 1660 X147.5	2	EA
11	44004309	WEATHER STRIPPING 1660 X86.25	2	EA
12	47006610	PUSH-IN CLIP	32	EA
13	117076400	SHELF OVERHEAD STORAGE AL .102X14.8X87.9	1	EA
14	117076401	BRACKET MOUNTING AL .102X2X4.96 LH	1	EA
15	117076402	BRACKET MOUNTING AL .102X2X4.96 RH	1	EA



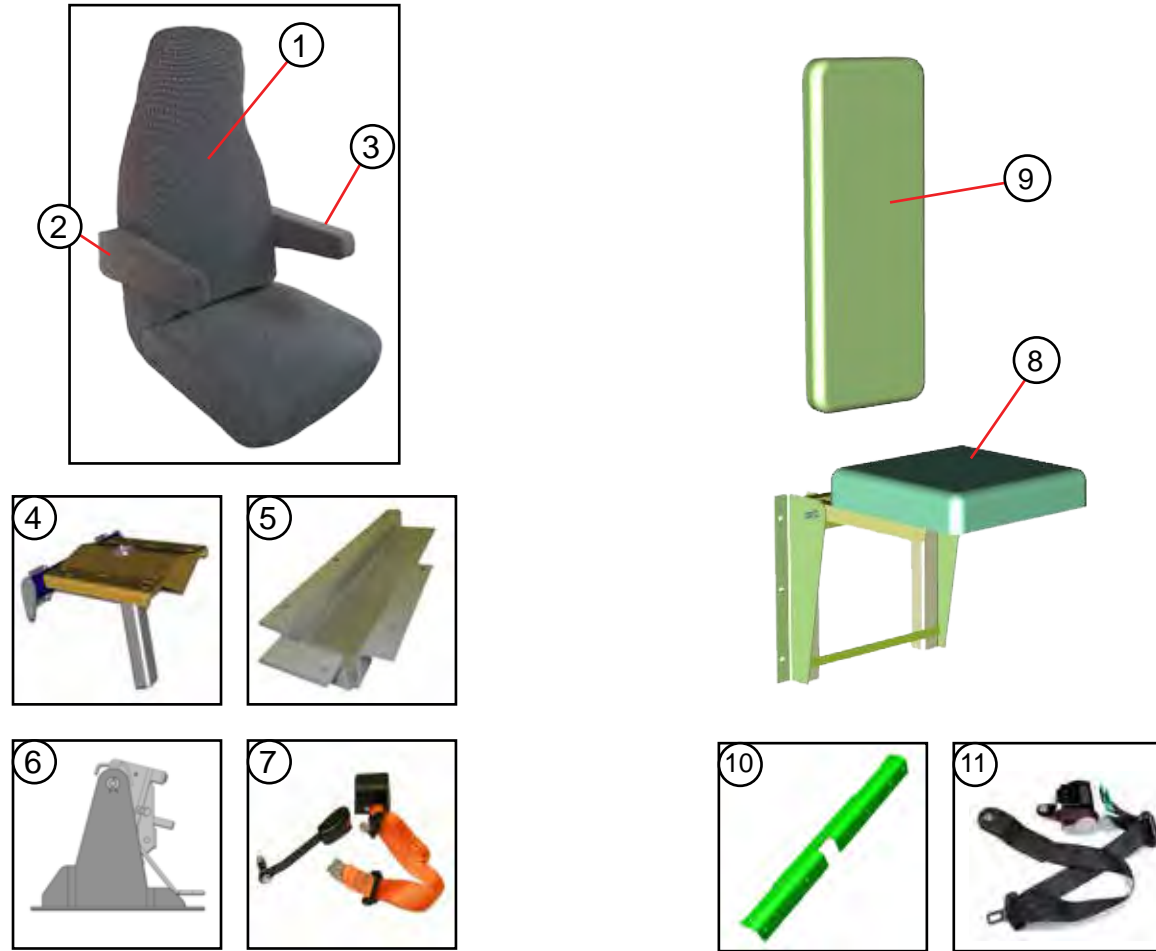
ITEM #	PART #	DESCRIPTION	QTY.	UNIT
1	088027200	INSTRUMENT PANEL WELDMENT	1	EA
2	107027403	BRACE I/P AL .102X3.75X8.43	1	EA
3	002027423	BRACKET SHIFTER STL 11GAX4.87X6.43	2	EA
4	093027402	BRACKET STIFFENER AL .125X1.91X12.66	1	EA
5	47008545	VENT 2 WAY HINGLESS	1	EA
6	47008548	GASKET VENT	1	EA
7	006327202	SPACER IGNITION SWITCH AL .102X1.5X1.5	1	EA
8	46023506	PLUG HL ROCKER SWITCH BLACK	3	EA
9	555001416	PANEL CONTROL HVAC	1	EA
10	098027405	PLATE COVER INSTRUMENT PANEL AL .102X4.98X8.25	1	EA
11	44000119	PLUG HL BLACK	1	EA
12	1111513	PLUG HL BLACK	1	EA
13	46026378	RECEPTACLE 12V POWER W/TETHER SS BODY	2	EA
14	098027402	PLATE ADAPTOR AL .102X8.25X16	1	EA
15	47000100	SHELF AL. WORK STATION 30"	1	EA
16	088027413	I/P END CENTER AL .102X8.4X18.5	1	EA
17	47009653	CENTER CONSOLE BLACK	1	EA
18	107027406	PLATE COVER I/P AL .07X3.63X7.75	1	EA
19	46026366	LIGHTER 12V	1	EA



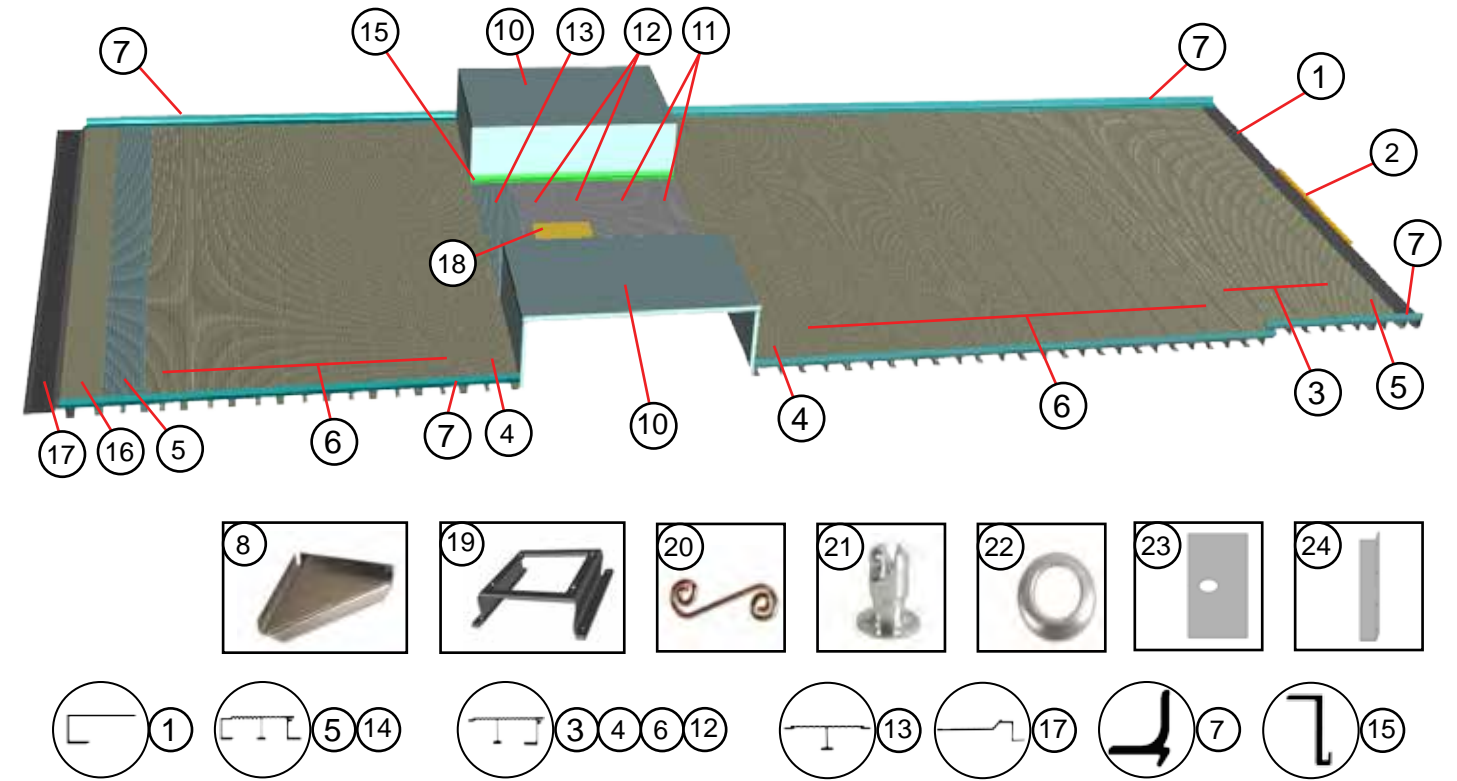
ITEM #	PART #	DESCRIPTION	QTY.	UNIT
1	108017202	HOOD ASSEMBLY	1	EA
2	088017414	HOOD SKIRT AL .07X30.78X33.11 ROADSIDE	1	EA
3	088017415	HOOD SKIRT AL .07X30.78X33.11 CURBSIDE	1	EA
4	47007852	HINGE ASSEMBLY	2	EA
5	108017401	PANEL HOOD FCC AL.07X53.36X72	1	EA
6	088017416	COWL HOOD ROADSIDE AL .07X15.91X22.28	1	EA
7	088017417	COWL HOOD CURBSIDE AL .07X15.91X22.28	1	EA
8	95817312	GUSSET CORNER ROADSIDE AL .07X13.52X14.72	1	EA
9	95817313	GUSSET CORNER CURBSIDE AL .07X13.52X14.72	1	EA
10	45100057	CORNER CAST KNEE COWL FRONT ROADSIDE	1	EA
11	45100058	CORNER CAST KNEE COWL FRONT CURBSIDE	1	EA
12	088017420	STIFFENER HOOD AL 450015X68.62	1	EA
13	45001500	BRACKET HOOD AL HD X69.77	1	EA
14	45100060	CAP COWL END ROADSIDE	1	EA
15	45100061	CAP COWL END CURBSIDE	1	EA
17	91617304	PLATE TAP AL .188X2X2.69	2	EA
18	96717312	SHIM AL .125X.62X1.88	2	EA
19	115017403	STIFFENER HOOD ROADSIDE	1	EA
20	115017404	STIFFENER HOOD CURBSIDE	1	EA
21	90187300	GRAB HANDLE .5DIA X15.7	1	EA
22	45700101	MESH GRILLE 20.5X38.81	1	EA
NS	088017423	ANGLE SUPPORT GRILLE 450186X69.62	1	EA
NS	088017421	SUPPORT GRILLE ANGLE 450180X22.8	2	EA
NS	088017441	ANGLE HORZ 450186X69.62	1	EA
NS	44004077	SEAL TAPE #1458BTXFT	4.42	FT



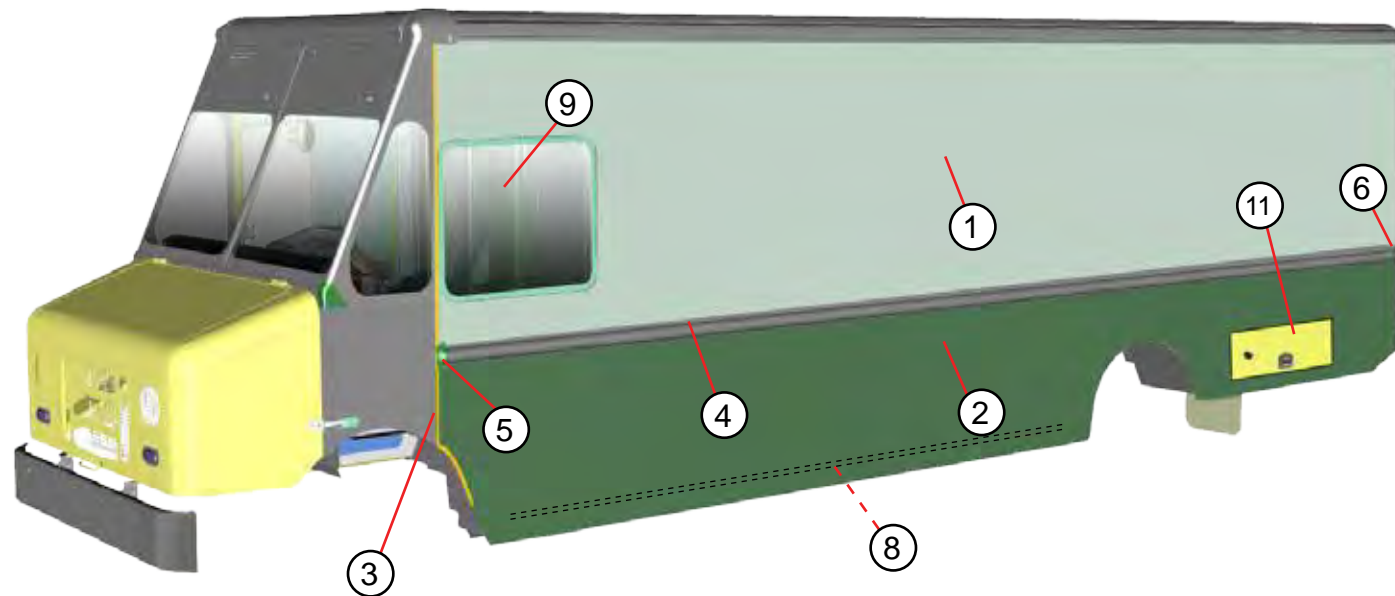
ITEM #	PART #	DESCRIPTION	QTY.	UNIT
29	44002004	BUMPER RUBBER HOOD REST	2	EA
30	47006116	GAS SPRING WITH LOCK 140LB 20/12 IGS	1	EA
31	47006117	GAS SPRING WITH OUT LOCK 140LB 20/12 IGS	1	EA
32	40900019	STUD BALL SUSPENSION	4	EA
33	96713300	STOP ANGLE HOOD REST	2	EA
34	47000613	LATCH HOOD	2	EA
35	077150400	BRACKET SUPPORT HOOD REST	2	EA
36	124016401	BRACKET GAS SPRING AL.125X3.6X16.48 ROADSIDE	1	EA
37	124016402	BRACKET GAS SPRING AL.125X3.6X16.48 CURBSIDE	1	EA
38	124016403	BRACKET HOOD LOWER AL.188X2.85X6.4 CURBSIDE	1	EA
39	124016404	BRACKET HOOD LOWER AL.188X2.85X6.4 ROADSIDE	1	EA
40	47004137	WASHER BOTTLE WITH PUMP	1	EA
41	003705413	WASHER BOTTLE MOUNTING PLATE	1	EA
42	45700101	MESH GRILLE 20.5X38.81	1	EA
43	077260400	SPLASH PAN ROADSIDE	1	EA
44	077260404	SPLASH PAN CURBSIDE	1	EA
45	43000903	HOOD PROPER INSTRUCTIONS LABEL	1	EA
46	088017255	SUPPORT ASSEMBLY GRILLE	1	EA
47	088017433	SUPPORT SPLASH PAN AL .102X16.07X16.83	1	EA
48	088017436	SUPPORT SPLASH PAN AL .102X16.07X16.83	1	EA
49	088017427	SPLASH PAN AL .102X19.43X26.95 ROADSIDE	1	EA
50	088017430	SPLASH PAN AL .102X19.93X26.95 CURBSIDE	1	EA
51	088017437	STRAP AL .125X2.98X25.76 ROADSIDE	1	EA
52	088017438	STRAP AL .125X2.98X25.76 CURBSIDE	1	EA



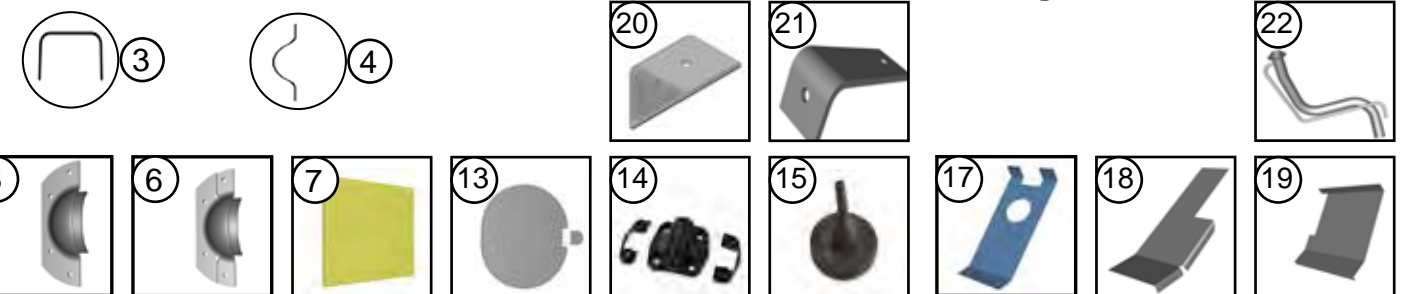
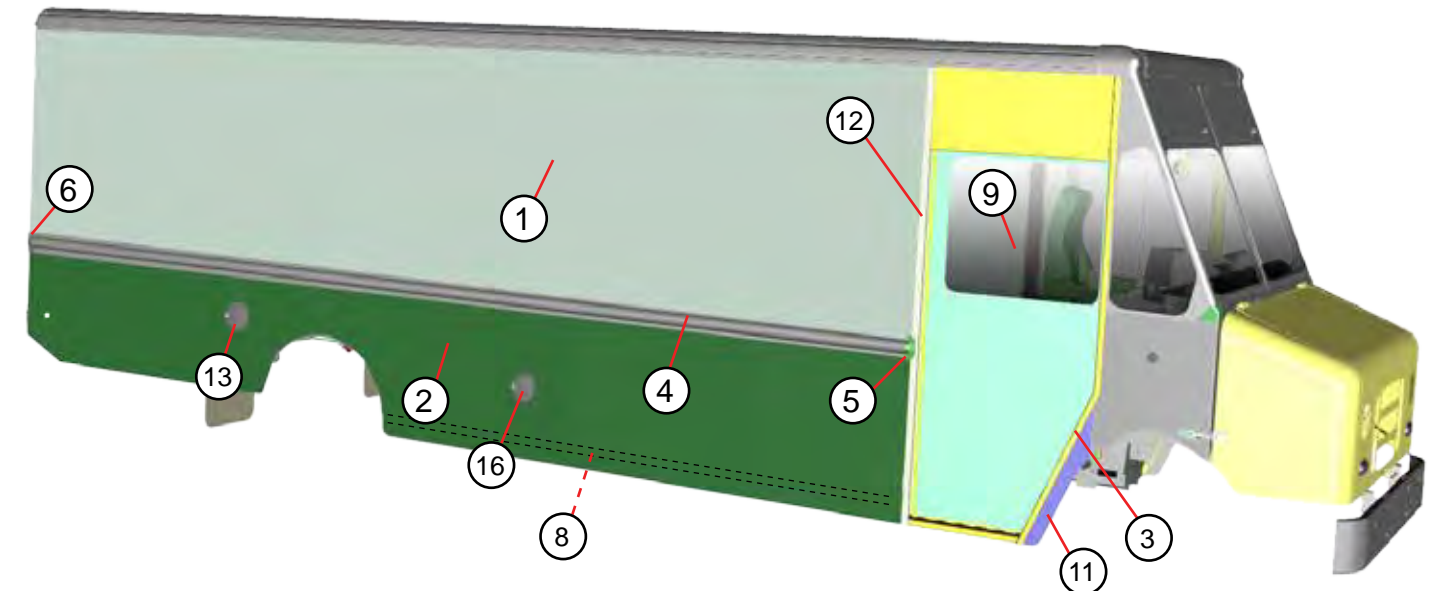
ITEM #	PART #	DESCRIPTION	QTY.	UNIT
1	47004656	SEAT DRIVER CLOTH LUMBAR	2	EA
2	47011201	ARM REST SEAT 3PNT RH	1	EA
3	47011200	ARM REST SEAT 3PNT LH	1	EA
4	47004332	PEDESTAL SEAT UPPER 3PNT/IN FCC	1	EA
5	98M582030	BRACE SUPPORT STEEL 7GAX9.43X23.43	1	EA
6	47012658	SEAT SOC/PEDESTAL BASE FRE 3PNT TILT	1	EA
7	47007914	S/BELT 3PNT/IN W/O TEATHERS	1	EA
8	47004348	JUMP SEAT FOLDING	1	EA
9	47004349	BACK REST JUMP SEAT	1	EA
10	91614300	ANGLE FLOOR AL .188X2.84X19.1	1	EA
11	47004451	SEAT BELT BLACK	1	EA



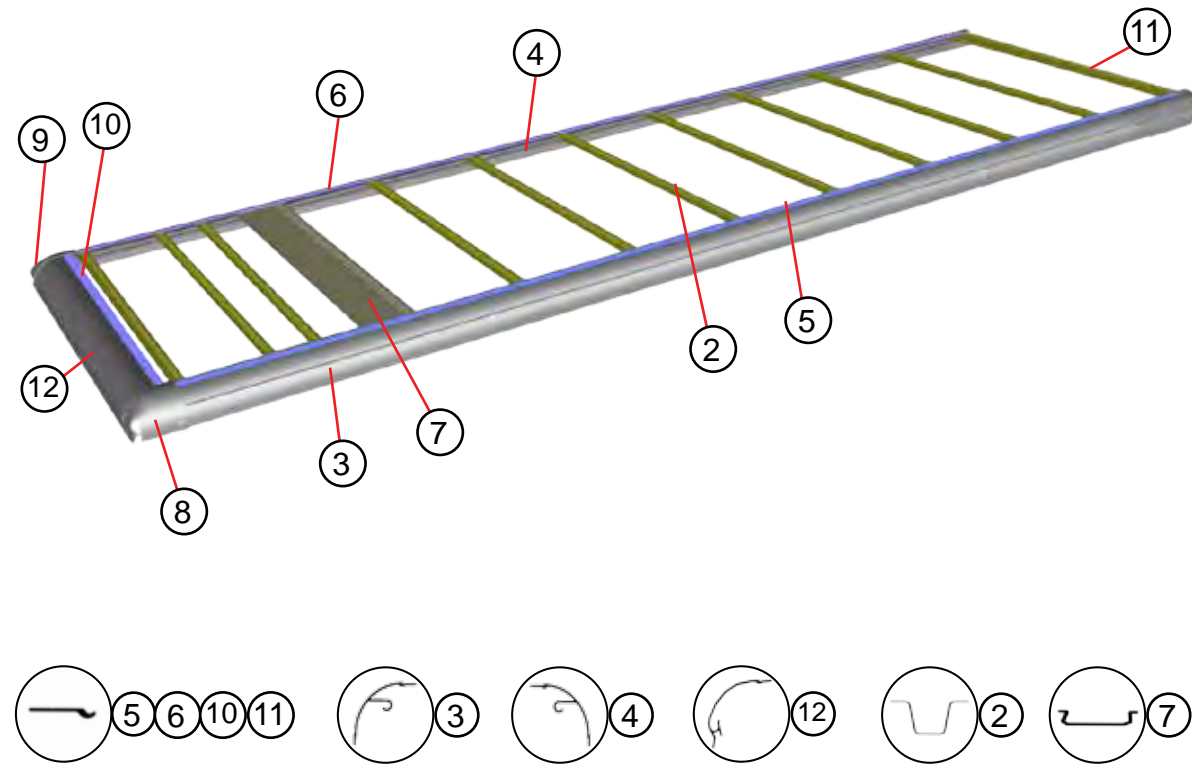
ITEM #	PART #	DESCRIPTION	QTY	UNIT
1	083033509	BEAM @ O LINE	1	EA
2	001730412	ANGLE STEP	1	EA
3	45040103	BEAM AL FLOOR M-FEM 9X92.19	8	EA
4	45040503	BEAM AL FLOOR M-FEM 8.5X92.19	2	EA
5	45051003	BEAM AL FLOOR FEM-LAP 7X92.19	2	EA
6	45040203	BEAM AL FLOOR M-FEM 8X92.1	5	EA
7	45030300	ANGLE ATTATCH FLOOR/SIDE	1.81	EA
8	7504176	GUSSET FLOOR TO SIDE AL .102X12.1X12.1	10	EA
9	95869302	ANGLE W/BOX ATTATCH (ROADSIDE SHOWN)	2	EA
10	118032202	WHEEL BOX ASSEMBLY	2	EA
11	06M106008	BM FLR AL 8X450402X40.62	2	EA
12	95869303	BEAM FLOOR AL 9X450401X40.6	2	EA
13	95869304	BEAM FLOOR AL 8X450407X40.6	1	EA
14	45051003	BEAM FLOOR RIBBED FEMALE/LAP 7X92.25	1	EA
15	03M553071	ANGLE ATTATCH W/BOX	.5	EA
16	088033401	FILLER PLATE AL .125X6.68X92.38	1	EA
17	45059200	DROP SILL	1	EA
18	003330476	ACCESS DOOR PANEL AL .102X9.61X11.62	1	EA
19	95871302	SUPPORT ACCESS DOOR AL .125X11.36X16.56	1	EA
20	40900082	SPRING	4	EA
21	40900080	STUD	4	EA
22	40900081	GROMMET HALF	4	EA
23	78331095	PLATE TIE DOWN AL .125X1.12X3	23	EA
24	97650306	ANGLE CLIP AL 450196X3.5	2	EA



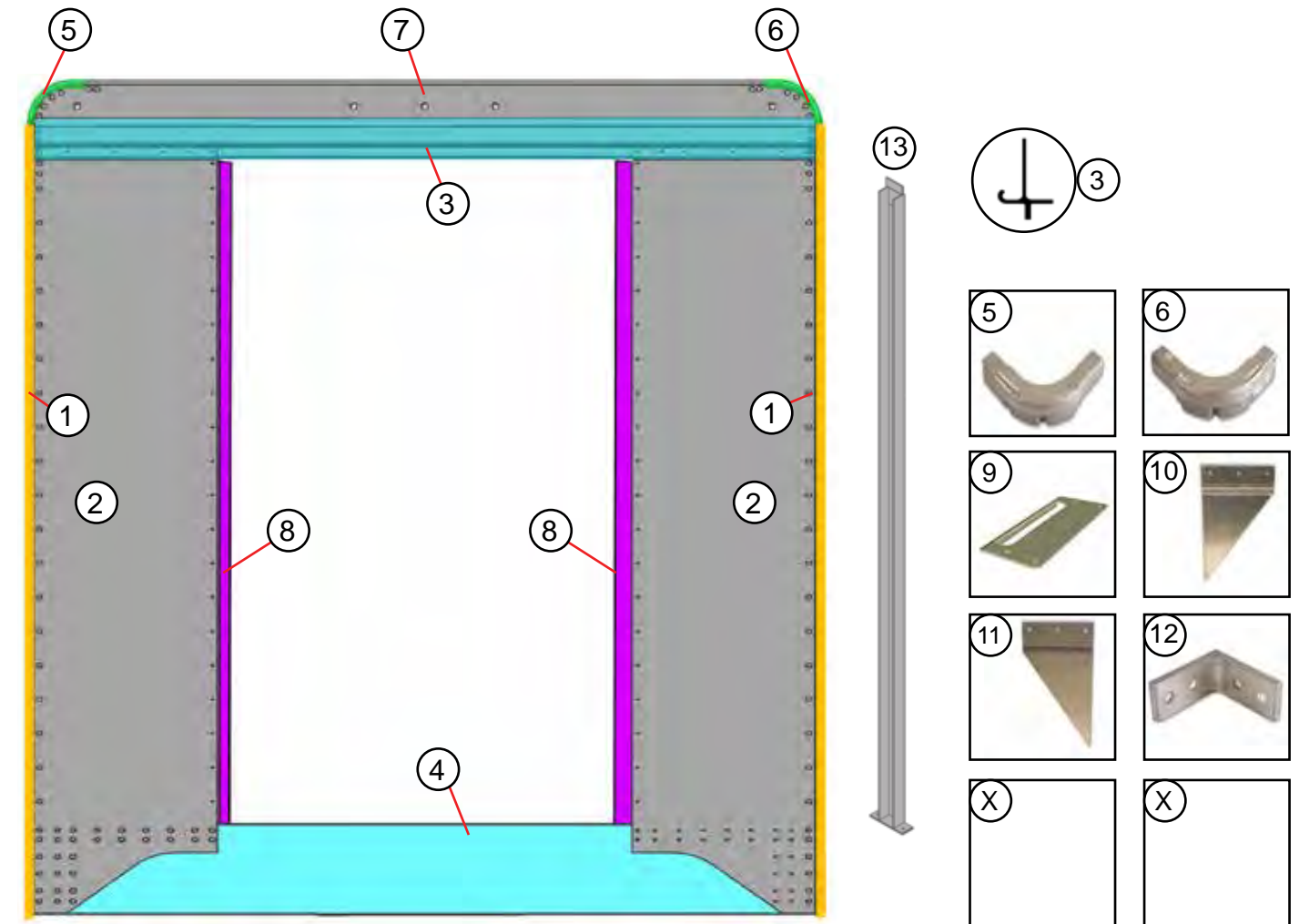
ITEM #	PART #	DESCRIPTION	QTY	UNIT
1	123046400	SIDE UPPER AL .102X60X242.31 DLH	1	EA
2	130045402	SIDE LOWER AL .102X37.5X242.31 DLH	1	EA
3	088044403	DOOR POST BOTTOM (DOOR POST TOP - 088044402)	1	EA
4	088039333	RUBRAIL AL 450002X238.31 DLH	1	EA
5	1100800	END CAP FORWARD	1	EA
6	1100799	END CAP REAR	1	EA
7	7600165	FILLER PLATE RUBRAIL	1	EA
8	1100486	ANGLE STIFFENER .125X1X1X192	1	EA
9	45800093	GLASS WINDOW ROLL UP	1	EA
10	7504176	GUSSET FLOOR TO SIDE AL .102X12.1X12.1	5	EA
11	130009201	BATTERY BOX ASSEMBLY	1	EA
12	47001498	HANDLE T STAINLESS	1	EA
13	47000921	DOOR HOLDER	1	EA



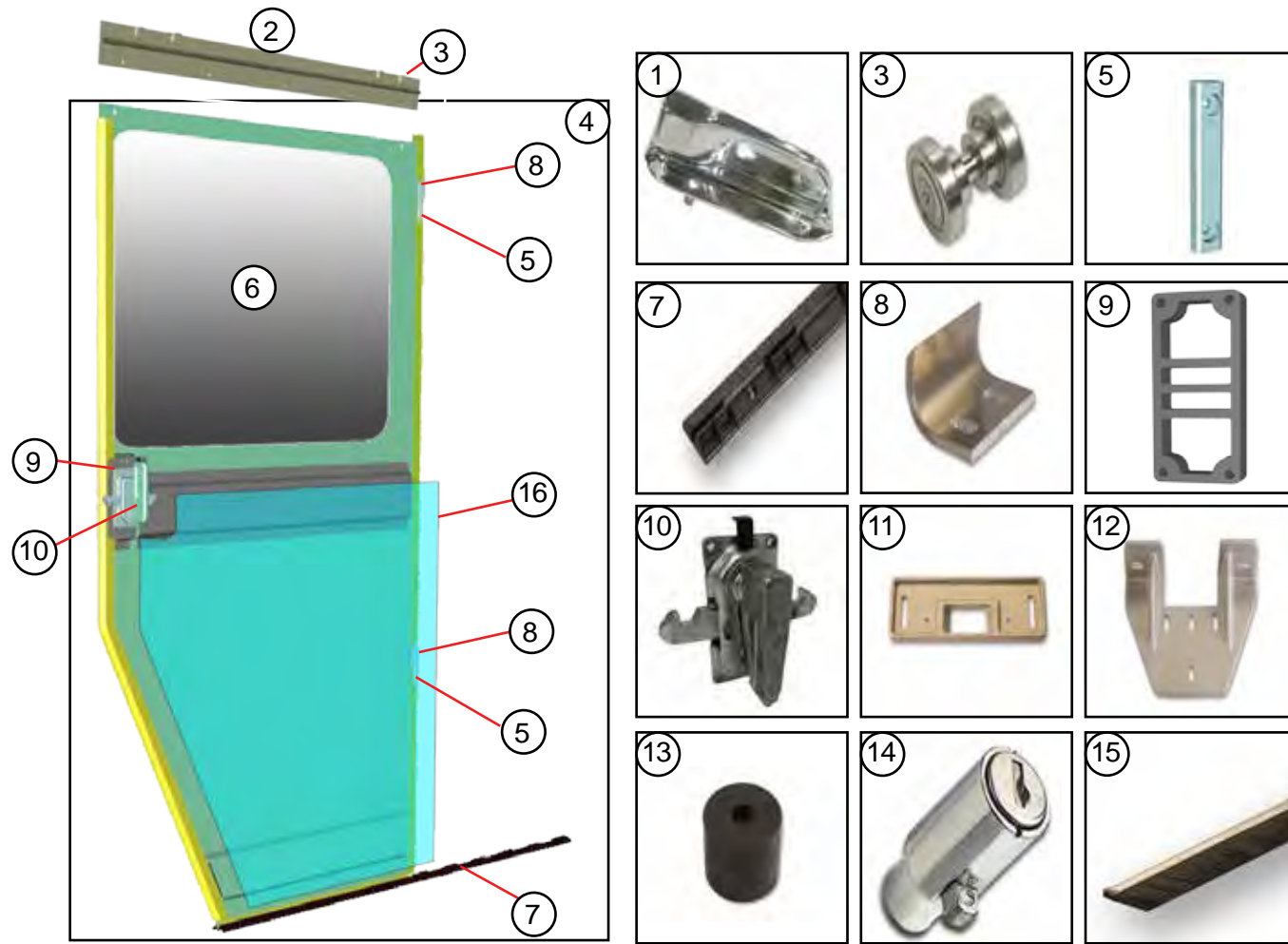
ITEM #	PART #	DESCRIPTION	QTY	UNIT
1	098038405	SIDE UPPER AL .102X60X201.31	1	EA
2	118037688	SIDE LOWER AL .102X37.5X201.31	1	EA
3	088044403	DOOR POST BOTTOM (DOOR POST TOP - 088044404)	1	EA
4	088039305	RUBRAIL AL 450002X197 DLH	1	EA
5	1100800	END CAP FORWARD	1	EA
6	1100799	END CAP REAR	1	EA
7	7600165	FILLER PLATE RUBRAIL	1	EA
8	1100486	ANGLE STIFFENER .125X1X1X192	1	EA
9	45800103	WINDOW SLIDING SASH	1	EA
10				EA
11	098022401	SKIRT TAIL CURBSIDE AL .07X5.76X36.83	1	EA
12	077400401	B POST CURBSIDE AL 450274X99.62 RH	1	EA
13	095012410	DEF TANK DOOR AL .102X6.89X7.02	1	EA
14	47007888	HINGE	2	EA
15	1107102	RUBBER BUMPER	1	EA
16	117012400	FUEL FILL DOOR AL .102X5.54X5.86	1	EA
17	108012403	BRACKET SUPPORT AL .125X4.5X11.87	1	EA
18	108012404	SPLASH PAN FUEL FILL AL .07X8.39X20.34	1	EA
19	108012405	SPLASH PAN FUEL FILL AL .07X19.5X23.82	1	EA
20	82312025	SUPPORT SPLASH PAN AL .07X1.5X2.84	1	EA
21	82312026	SUPPORT FUEL FILL AL .102X1X3.52	1	EA
22	47007038	NECK FUEL FILL	1	EA



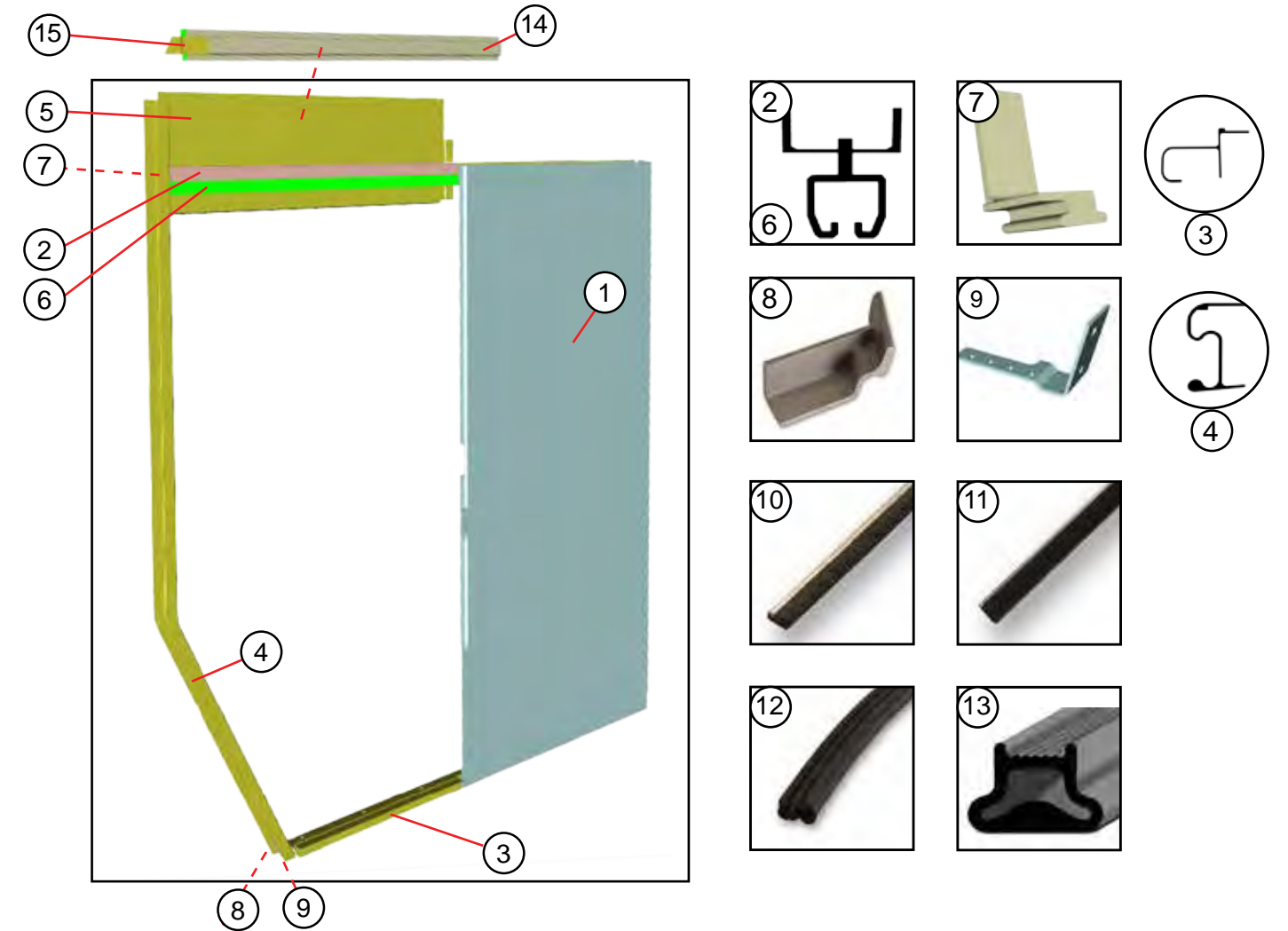
ITEM #	PART #	DESCRIPTION	QTY	UNIT
NS	1100010	ROOF SKIN	19.96	FT
2	91083303	ROOF BOW STEEL 14GA 450358X89.12	11	EA
3	083010420	ROOF RAIL 22' 456144X309.25 ROADSIDE	1	EA
4	083010421	ROOF RAIL 22' 456144X309.25 CURBSIDE	1	EA
5	088010512	RAIL INTERLOCK ROADSIDE AL 450140X237.25L	1	EA
6	088010513	RAIL INTERLOCK CURBSIDE AL 450140X237.25R	1	EA
7	89310478	ROOF BOW @ O LINE 14GA GLNX13.54X89.12	1	EA
8	077100400	CORNER CASTING ROADSIDE	1	EA
9	077100401	CORNER CASTING CURBSIDE	1	EA
10	89310506	INTERLOCK ROOF NOSE AL45014X82.38	1	EA
11	89310507	INTERLOCK ROOF TRANSOM AL450140X79.88	1	EA
12	083010400	ROOF NOSE	1	EA



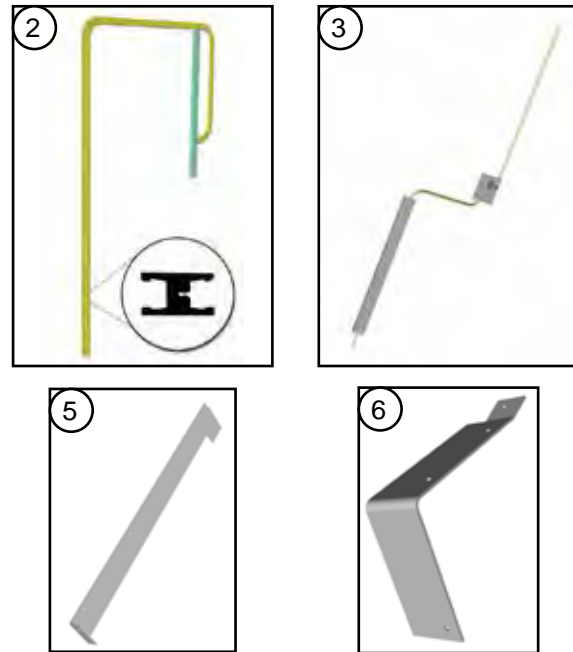
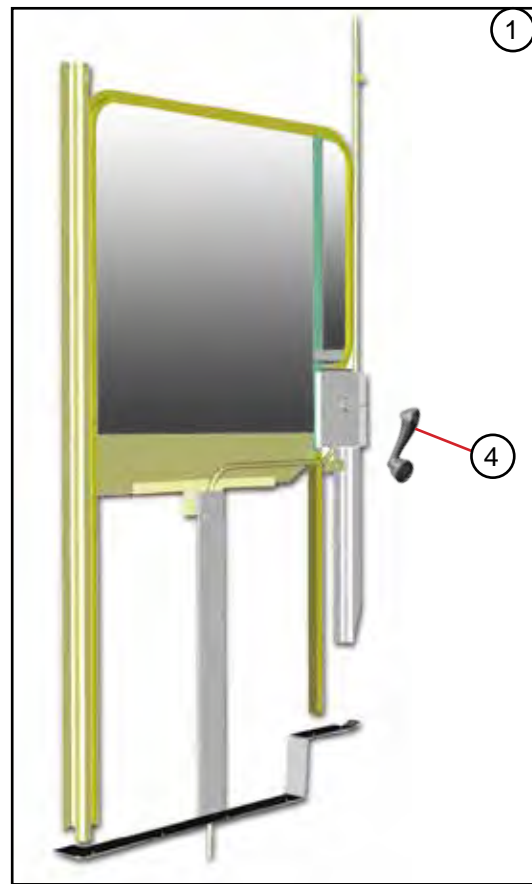
ITEM #	PART #	DESCRIPTION	QTY	UNIT
1	083053453	CHANNEL POST CORNER AL 450359X92.69	2	EA
2	083050705	PANEL BACK AL .102X26.63X88.44L/R	2	EA
3	77552018	HEADER TRANSOM AL 450138X92	1	EA
4	083053605	SILL REAR 93W AL 450024X88.75	1	EA
5	45100009	CORNER CAST LH	1	EA
6	45100010	CORNER CAST RH	1	EA
7	083050410	TRANSOM AL 450254X91.62	1	EA
8	083050461	POST HINGE AL 450011X77.13	2	EA
9	004051401	PLATE STRIKER DOOR LOWER 11GASSX4.33X9	1	EA
10	90650304	GUSSETT UPPER AL .125X5.12X6.59 LH	1	EA
11	90650305	GUSSETT UPPER AL .125X5.12X6.59 RH	1	EA
12	96750313	ANGLE CLIP AL 450196X1	2	EA
13	118050202	CHANNEL POST WELDMENT FOR LIFTGATE	2	EA



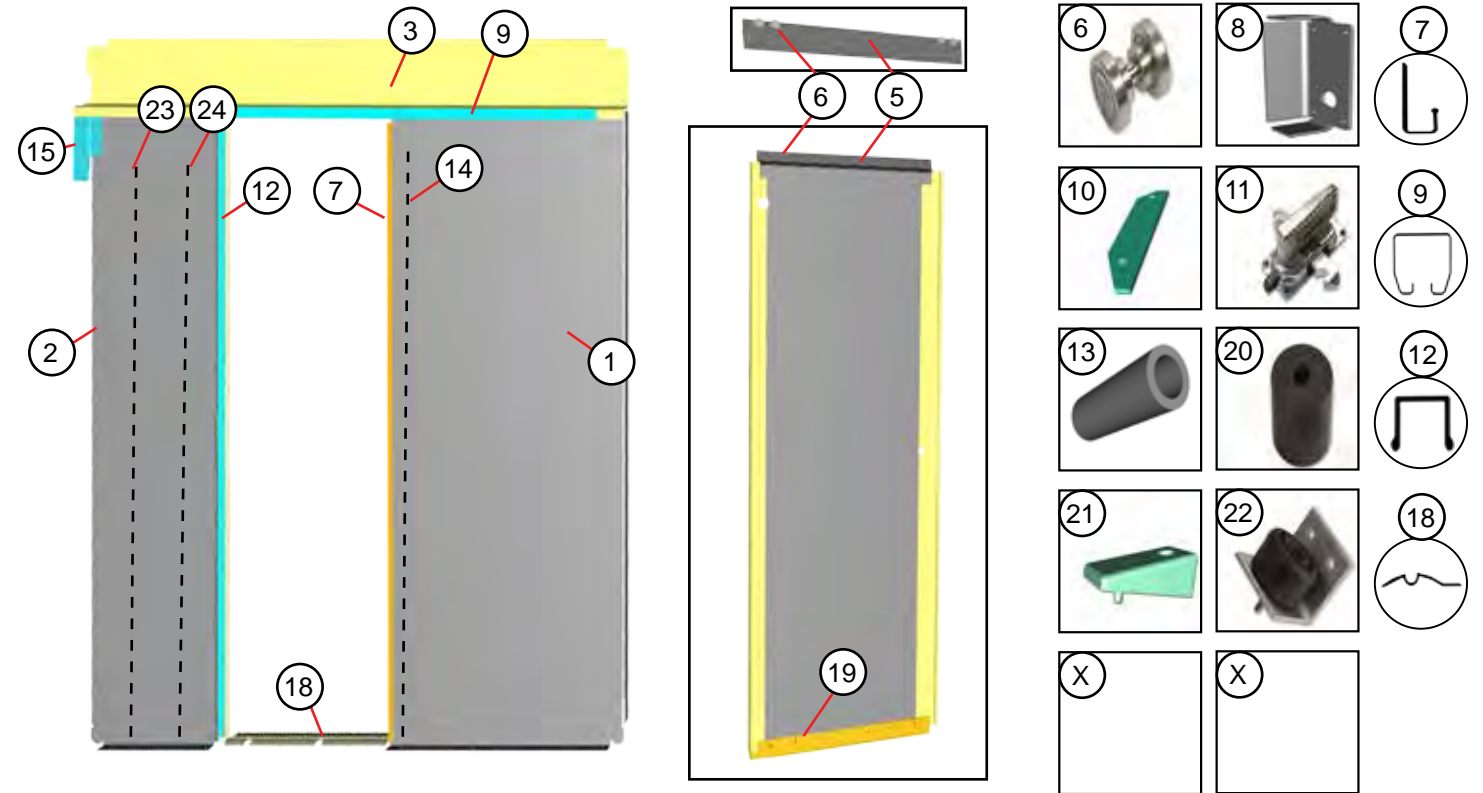
ITEM #	PART #	DESCRIPTION	QTY.	UNIT
1	1113393	HANDLE SIDE DOOR CHROME (REMOVABLE CYLINDER)	1	EA
2	96760307	HANGER DOOR AL 450515X40.09	1	EA
3	47006595	BEARING SR311-214 & RT311-278	4	PR
4	148060200	SIDE DOOR ASSEMBLY	1	EA
5	45200206	SPACER ANTI RATTLE	2	EA
6	1110001	WINDOW (WEATHER STRIP, GLASS - 44004229)	1	EA
7	47002766	DOOR GUIDE NYLON	1	EA
8	96760318	CLIP ANTI RATTLE	2	EA
9	087181	KASON SPACER	1	EA
10	1113016	LATCH	1	EA
11	45100093	STRIKER BRONZE CAST D/S RR	2	EA
12	45100094	BRACKET STRIKER	1	EA
13	44002011	RUBBER BUMPER	1	EA
14	1113383	CYLINDER REMOVABLE W/KEY	1	EA
15	44008050	SEAL BRUSH TYPE B 1X41.95"	1	EA
16	148060402	PANEL DOOR LOWER AL .07X39.4X40.02	1	EA



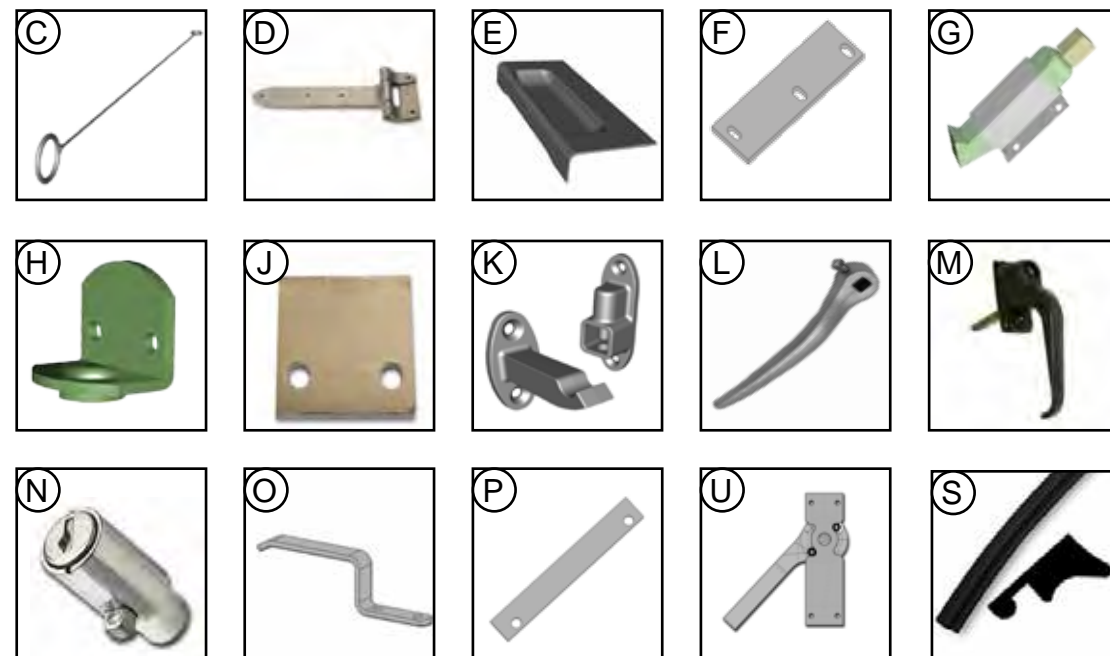
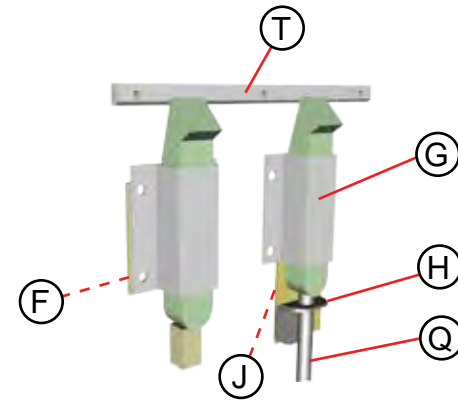
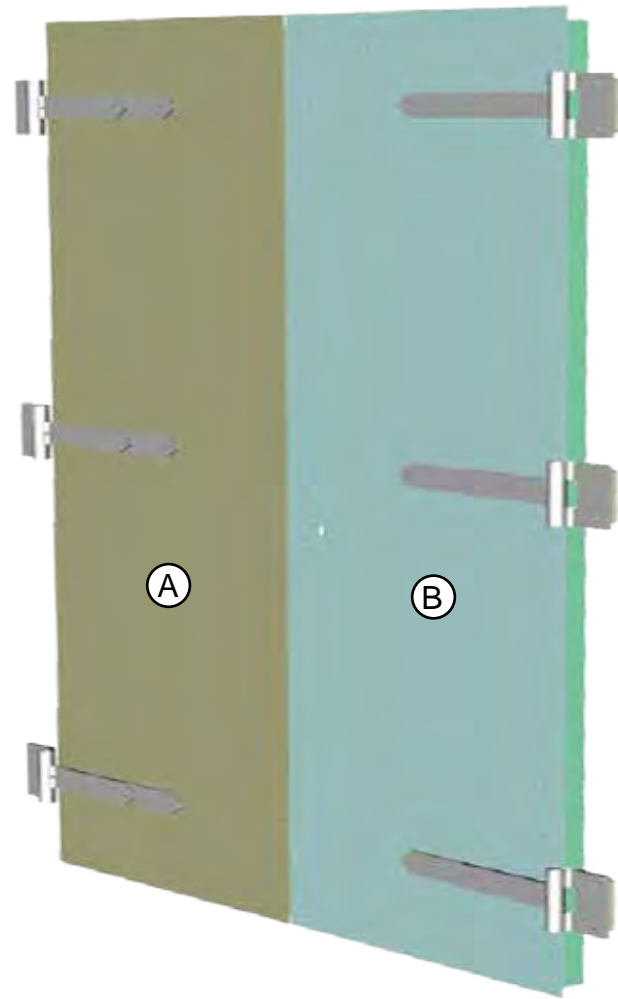
ITEM #	PART #	DESCRIPTION	QTY.	UNIT
1	118041410	PANEL DOOR POCKET AL .102X42.26X87.65 RH	1	EA
2	96741303	CHANNEL HEADER AL 450256X75 RH	1	EA
3	98741353	NOSE STEP AL 450247X61.29 RH	1	EA
4	077410401	POST DOOR AL 450294X102.43 RH	1	EA
5	077410405	PANEL HEADER AL .102X19.51X42.39 RH	1	EA
6	96741202	TRACK DOOR ASSEMBLY UPPER	1	EA
7	45100049	GUSSETT AL CAST HEADER CHANNEL TO D/PST RH	1	EA
8	45100105	DOOR POST AL CAST LWR RH	1	EA
9	001741408	REINFORCEMENT A POST AL .125X1.53X8.04 RH	1	EA
10	44008050	SEAL BRUSH TYPE B 1X83.9	1	EA
11	44004060	SEAL BRUSH TYPE C 1.5X82	1	EA
12	1107270	SEAL DOOR EDGE	8	FT
13	44004104	SEAL DOOR FORWARD 89.25"	1	EA
14	083042401	STIFFENER HEADER AL 450328X73.75 RH	1	EA
15	96742302	ZEE CLIP AL.102X3X9.57	1	EA
NS	87146300	ANGLE DOOR POCKET AL 450194X58.25	1	EA



ITEM #	PART #	DESCRIPTION	QTY.	UNIT
1	088066001	ROLL UP WINDOW INSTALLATION	1	EA
2	45800079	FRAME ASSEMBLY	1	EA
3	47007526	WINDOW REGULATOR	1	EA
4	47007522	HANDLE WINDOW REGULATOR	1	EA
5	084024422	COVER LOWER AL .102X3.43X28.73	1	EA
6	084024423	COVER UPPER AL .102X2.25X13	1	EA
7	45800093	GLASS ROLL UP WINDOW .125X28.43X32.59	1	EA
NS	89367380	DRIP RAIL OVER WINDOW AL 450006X35.32	1	EA

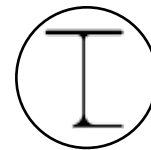
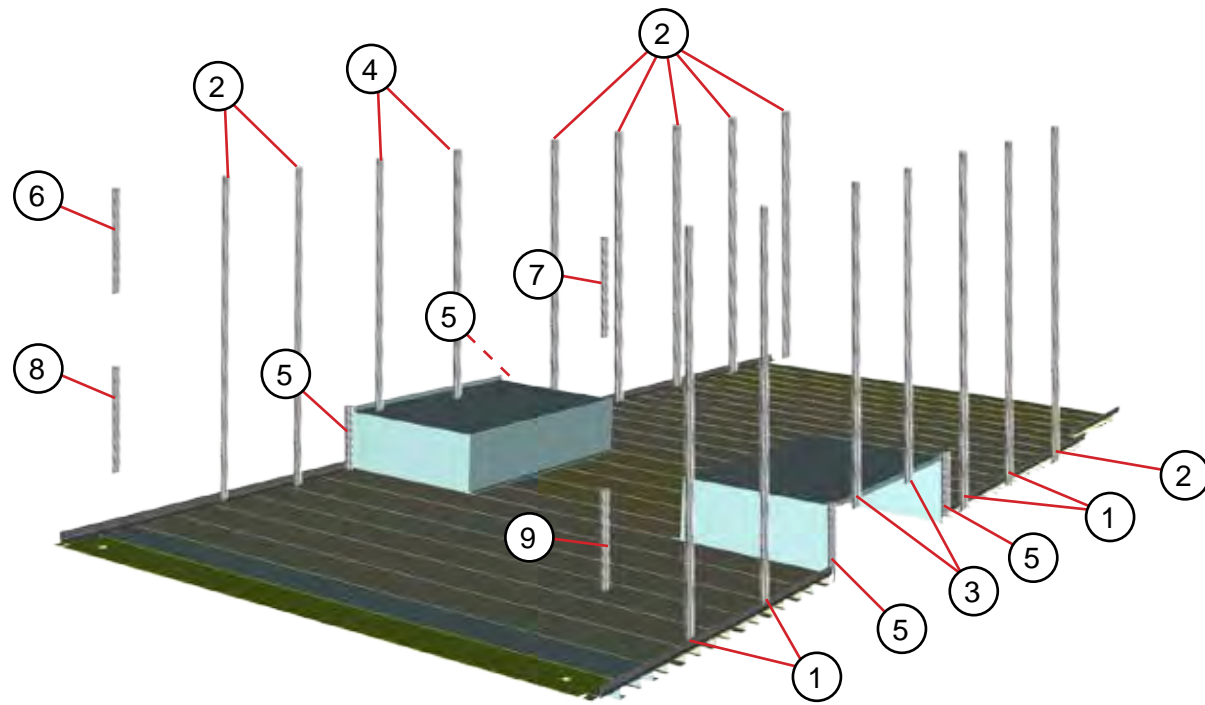


ITEM #	PART #	DESCRIPTION	QTY.	UNIT
1	138070473	PANEL BHD AL.102X37.84X77.38 DLH	1	EA
2	138070472	PANEL BHD AL.102X27.13X77.38 RH	1	EA
3	138070474	ZEE HEADER BHD AL.102X14.65X92.4	1	EA
4	088070201	DOOR ASSEMBLY BHD N/WDO UPR HNDL POS	1	EA
5	088070439	PLATE HANGER AL 450515X27.38	1	EA
6	47006595	BEARINGS SEALED	4	PR
7	088070438	CHANNEL BHD UPPER AL 450502X63.08	1	EA
8	088070433	SPACER DOOR BHD AL .125X4.6X10.02	1	EA
9	005770200	TRACK DOOR ASSEMBLY	1	EA
10	06M202043	SHIM HANDLE DOOR AL .125X1X7	1	EA
11	1113016	LOCK MECH INNER D/S	1	EA
12	96770312	JAMB AL 450326X74.37 RH	1	EA
13	088070482	SPACER BHD 1101200X1.75	2	EA
14	002069406	STIFFENER ZEE ALE450043X72.12	1	EA
15	088070443	PLATE BHD AL .055X3.65X8.29 RH	1	EA
16	088070431	BRACKET STRIKER STL 7GAX3.5X6.32 LH	1	EA
17	088070432	BRACKET STRIKER STL 7GAX3.5X11.77 RH	1	EA
18	128070481	GUIDE DOOR BHD AL 45041402X47.88	1	EA
19	088070434	WEAR STRIP DOOR BOTTOM	1	EA
20	44002011	BUMPER RUBBER	2	EA
21	45200208	DOOR CHOCK NYLON	1	EA
22	5903152	DOOR STOP	1	EA
23	133069400	STIFFENER BULKHEAD FOR JUMP SEAT AL 450043X72.12	1	EA
24	083069404	STIFFENER BULKHEAD FOR JUMP SEAT AL 450043X72.12	1	EA

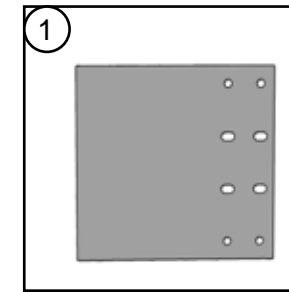


REAR DOOR ASSEMBLIES

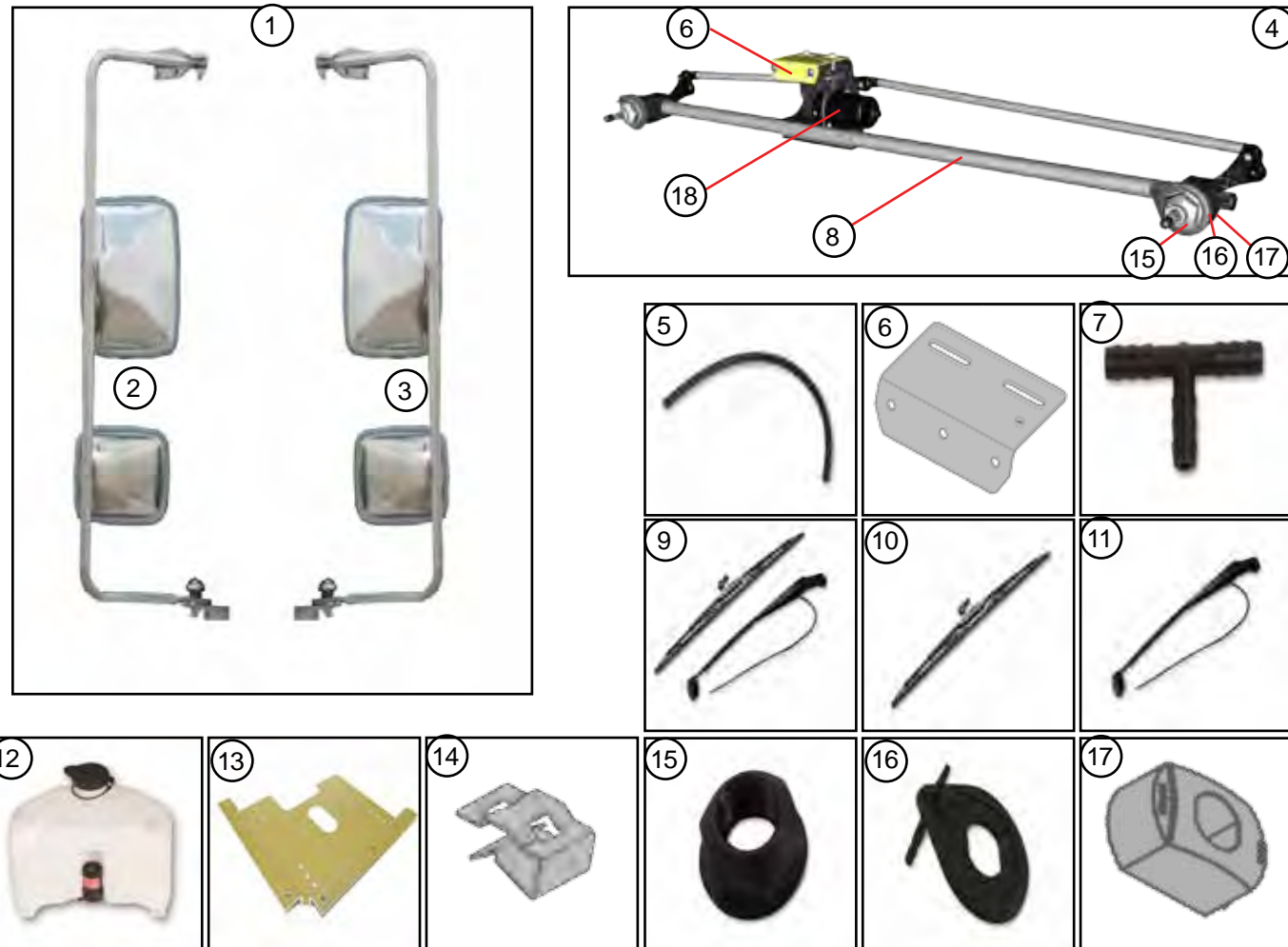
ITEM #	DESCRIPTION	PART #
A	DOOR REAR ASSY LH	84352330
B	DOOR REAR ASSY RH	84352323
C	CABLE	47000541
D	HINGE STRAP W/ZERK	47007900 x6
E	DUST PAN	7500036
F	SHIM LATCH DOOR	110051400
G	LATCH FINGER PULL	1113021
H	GUIDE ROD	1112011
J	SHIM GUIDE	7400126
K	DOOR HOLDERS	1113035
L	HANDLE DOOR INT.	1113015
M	HANDLE DOOR EXT.	47001176
N	CYLINDER LOCK	47001181
O	HANDLE DOOR FLAT INT.	47000669
P	SHIM MECHINISM	7401809
Q	ROD UPPER	47000539
NS	ROD LOWER	47000549
S	SEAL SPONGE P/N 1107047 RH	17.12 FT
S	SEAL SPONGE P/N 1107047 LH	10.56 FT
T	STRIKER BRONZE UPPER	45100106
U	HANDLE MECHINISM	47000547



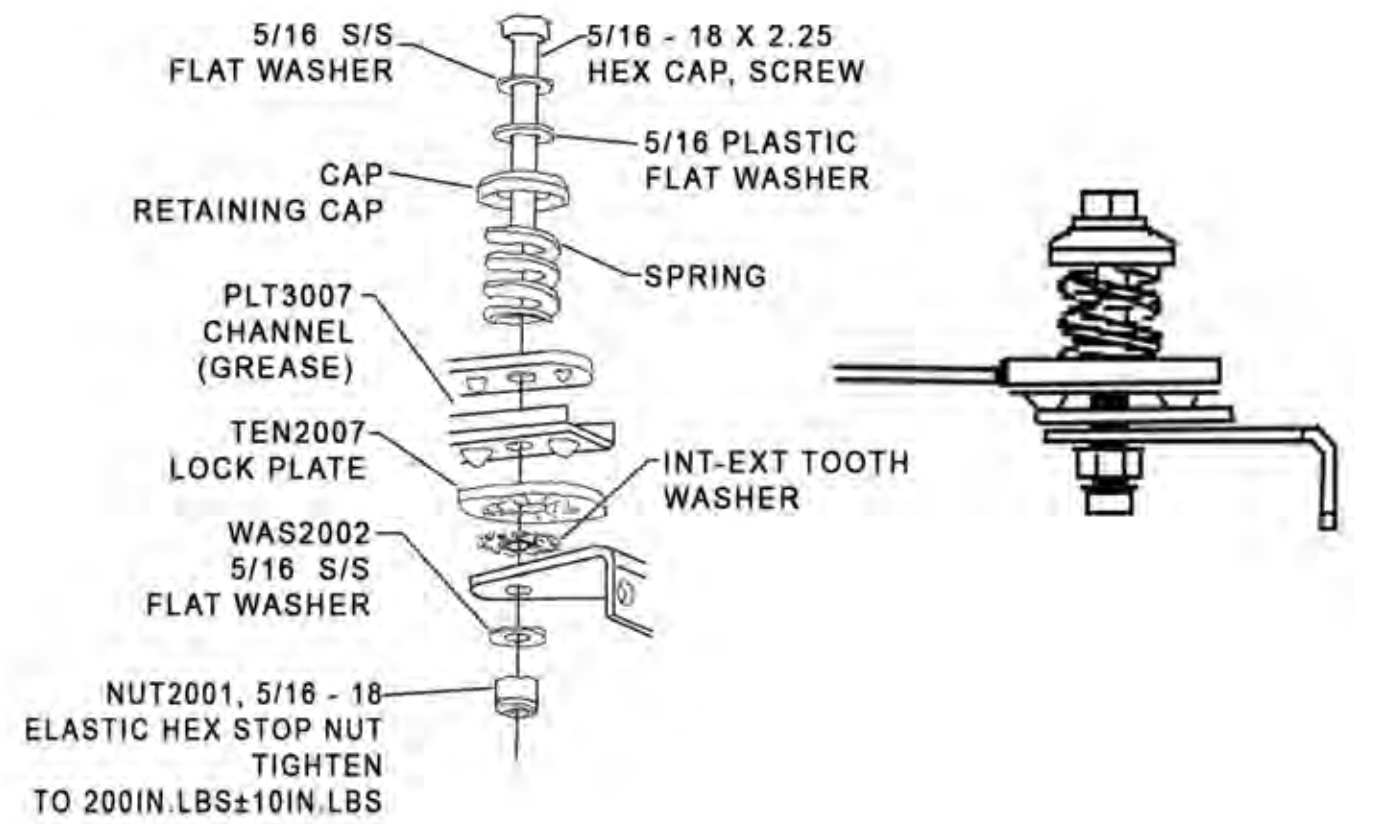
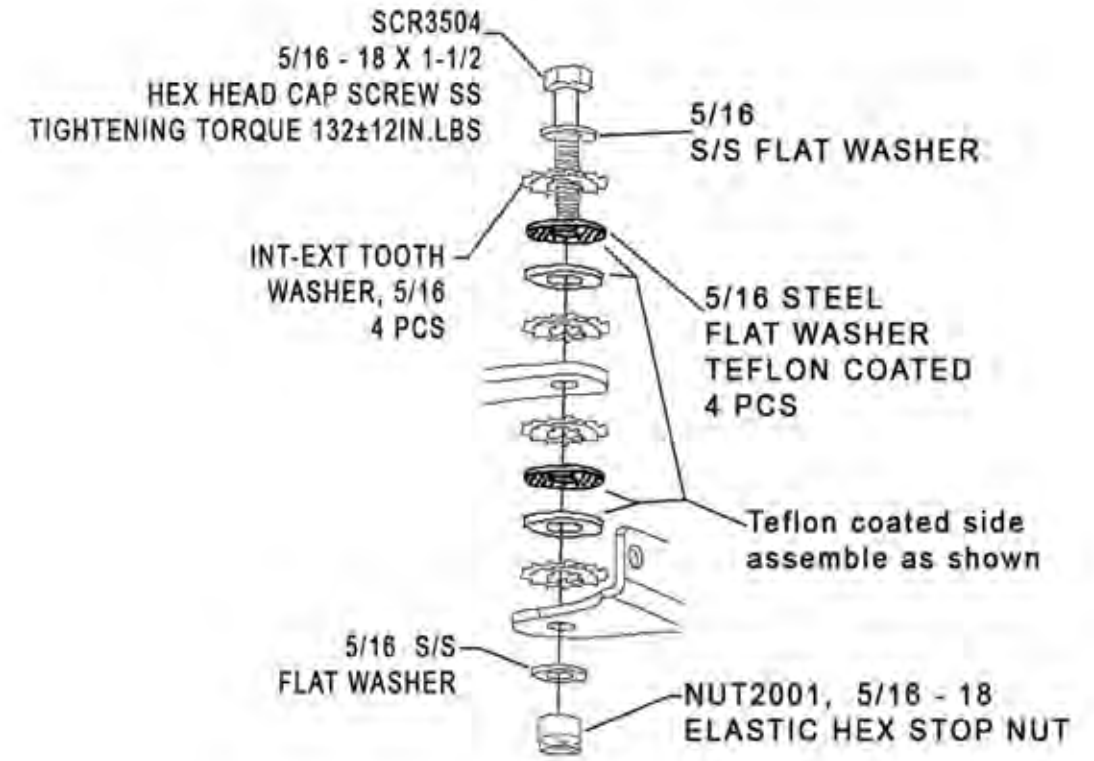
ITEM #	PART #	DESCRIPTION	QTY.	UNIT
1	103048410	STIFFENER ALE 450092X79	4	EA
2	103048411	STIFFENER ALE 450092X79	8	EA
3	103048412	STIFFENER ALE 450092X69.69 ABOVE W/BOX	2	EA
4	103048413	STIFFENER ALE 450092X69.69 ABOVE W/BOX	2	EA
5	103048414	STIFFENER BESIDE W/BOX AL 450092X7.75	2	EA
6	103048415	STIFFENER RR UPR ALE 450092X26 LH	1	EA
7	103048416	STIFFENER RR UPR ALE 450092X26 RH	1	EA
8	103048417	STIFFENER RR LWR ALE 450092X14.19LH	1	EA
9	103048418	STIFFENER RR LWR ALE 450092X14.19RH	1	EA

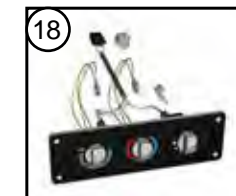
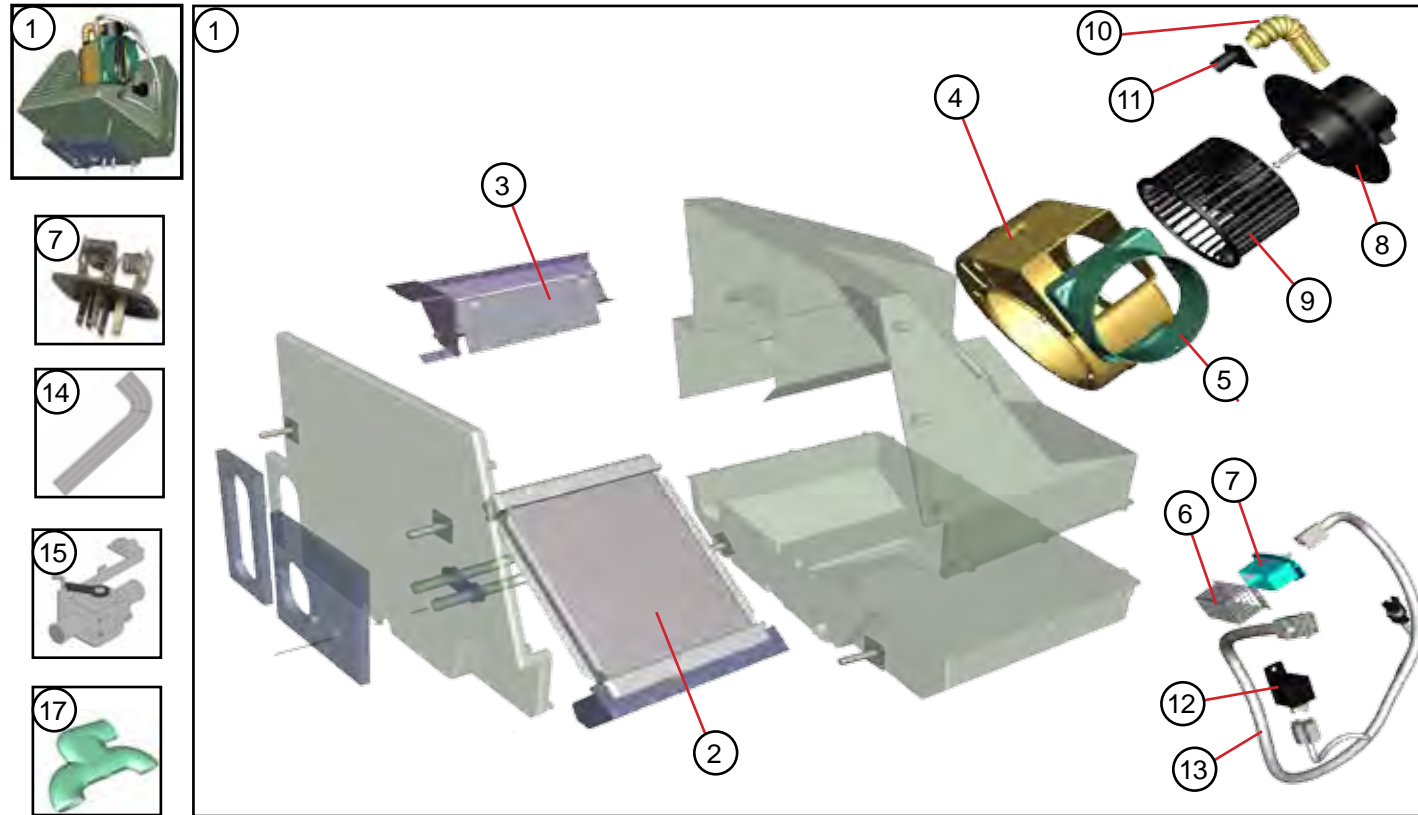


ITEM #	PART #	DESCRIPTION	QTY.	UNIT
1	90506341	PLATE HANGER BUMPER	2	EA
2	N/A	FRONT BUMPER SUPPLIED BY CHASSIS MFG.	1	EA

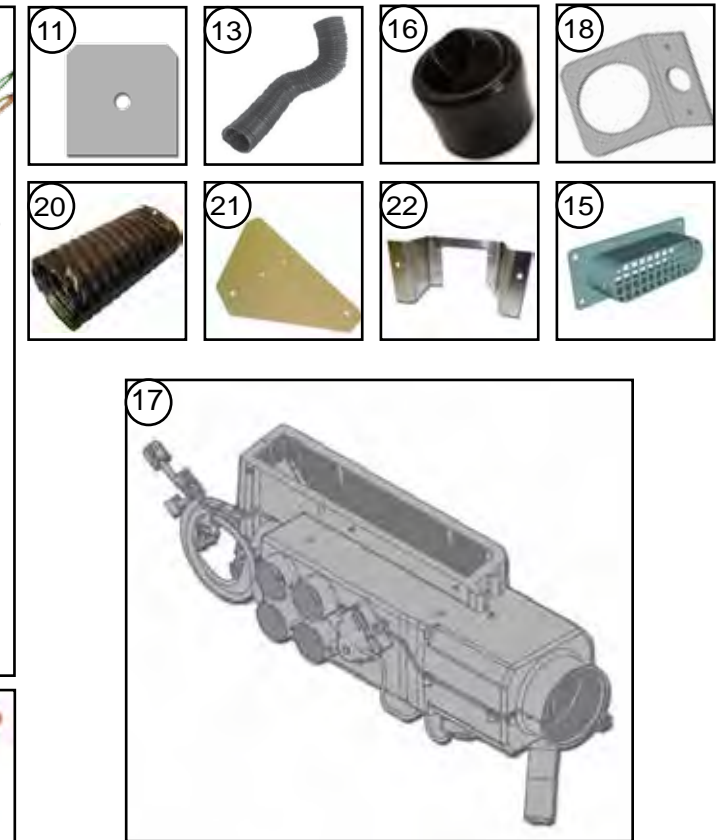
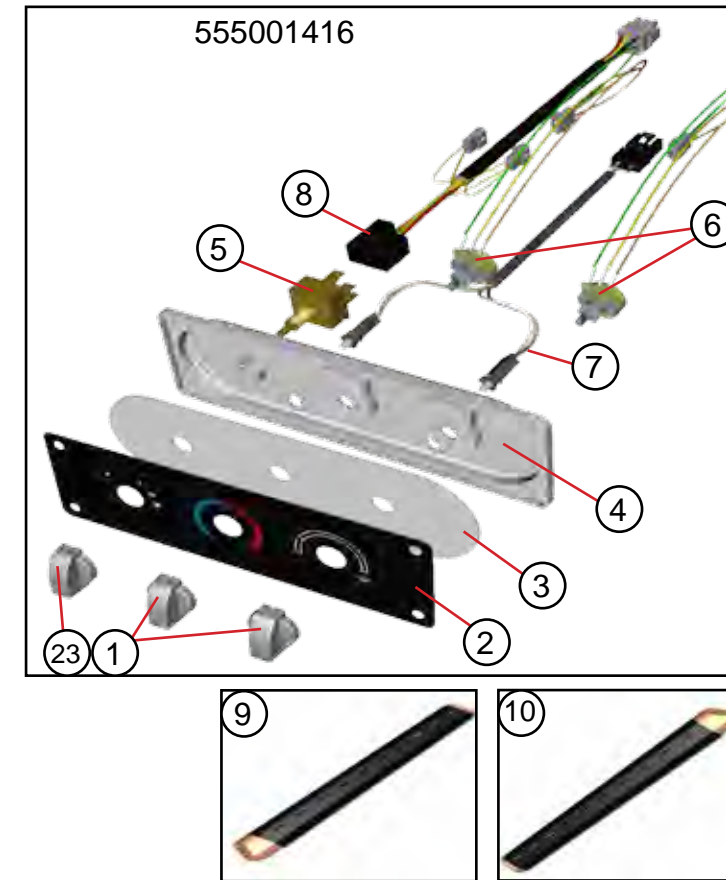


ITEM #	PART #	DESCRIPTION	QTY.	UNIT
1		MIRRORS		
2	47006150	MIRROR ASSEMBLY SS HEATED ROADSIDE	1	EA
3	47006151	MIRROR ASSEMBLY SS HEATED CURBSIDE	1	EA
4		WINDSHIELD WIPER		
5	1107122	HOSE .188 ID WSW	12	FT
6	083055454	BRACKET WIPER MOTOR	1	EA
7	1101694	TEE WSWA U/T	1	EA
8	47004188	WIPER SYSTEM TBLR 2 PIVOT	1	EA
9	146363002	WIPER ARM WITH BLADE	1	EA
10	47004134	BLADE 24IN BLACK	1	EA
11	47004206	ARM WSW WET 22IN RADIAL BLACK	1	EA
12	47004505	RSVR W/PUMP WSWA	1	EA
13	003705413	BRACKET MOUNTING RSVR	1	EA
14	46021115	CLIP BODY LARGE PAN	1	EA
15	47005901	NUT	2	EA
16	47005902	PIVOT COVER	2	EA
17	47005903	SPACER	2	EA
18	47005900	MOTOR WINDSHIELD WIPER	1	EA

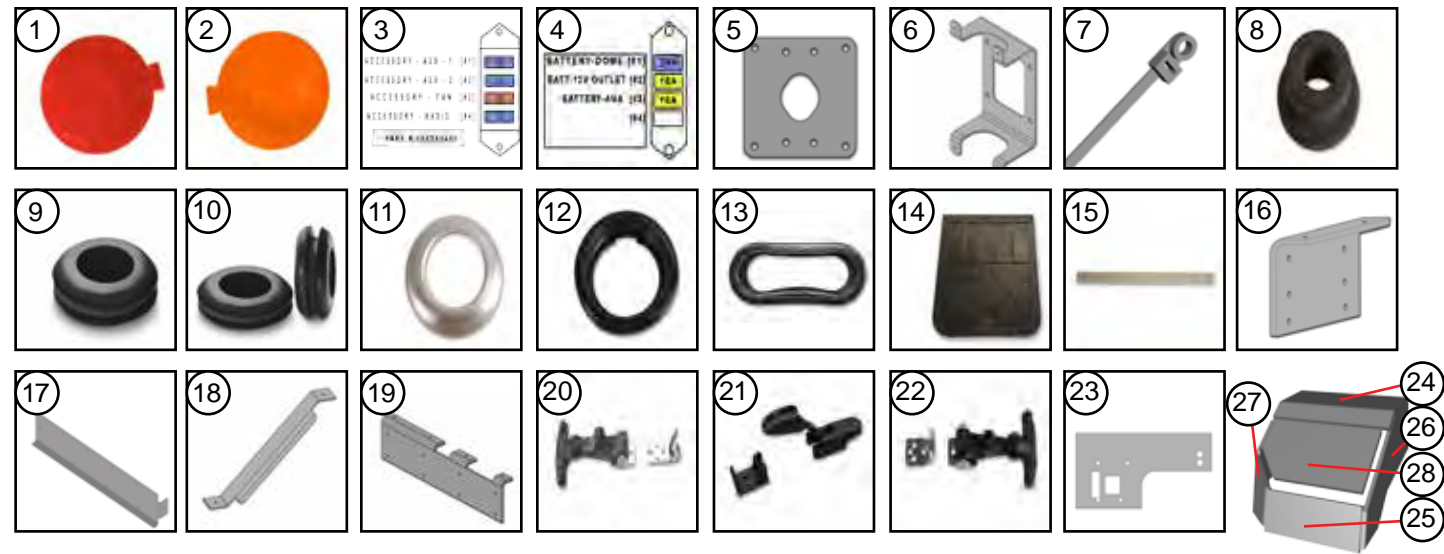




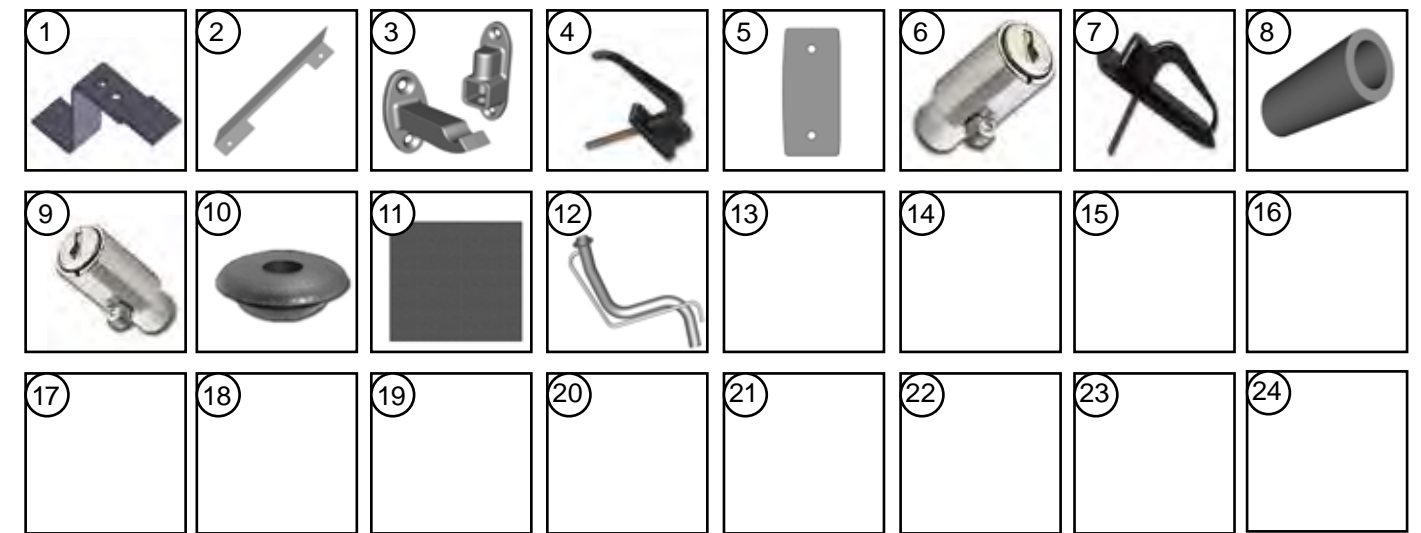
ITEM #	PART #	DESCRIPTION	QTY	UNIT
1	555001107	HEATER ASSEMBLY	1	EA
2	47008760	HEATER COIL W/GASKET & CLAMP	1	EA
3	47008753	DOOR W/SEAL	1	EA
4	47008754	BLOWER HOUSING	1	EA
5	47008755	BLOWER ADAPTER	1	EA
6	47008732	RESISTER CAGE	1	EA
7	47008357	RESISTER	1	EA
8	47008756	BLOWER MOTOR	1	EA
9	47008757	BLOWER WHEEL	1	EA
10	47008730	VENT TUBE	1	EA
11	47008731	VENT TUBE ADAPTOR	1	EA
12	47008716	RELAY	1	EA
13	47008768	HARNESS	1	EA
14	47008580	FORMED HEATER HOSE	2	EA
15	555002053	VALVE WATER	1	EA
17	090080401	DUCT FT DUMP SPECIAL (MOUNTING PLATE - 005780402)	1	EA
18	555001416	CONTROL PANEL HVAC	1	EA



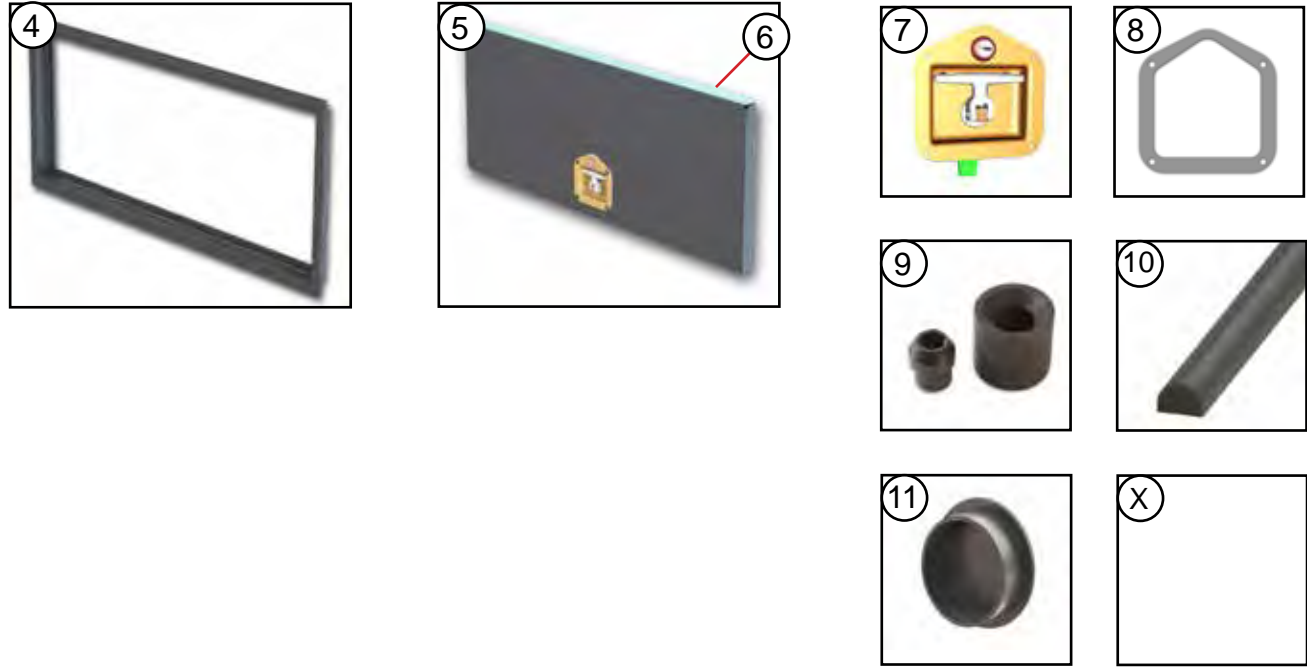
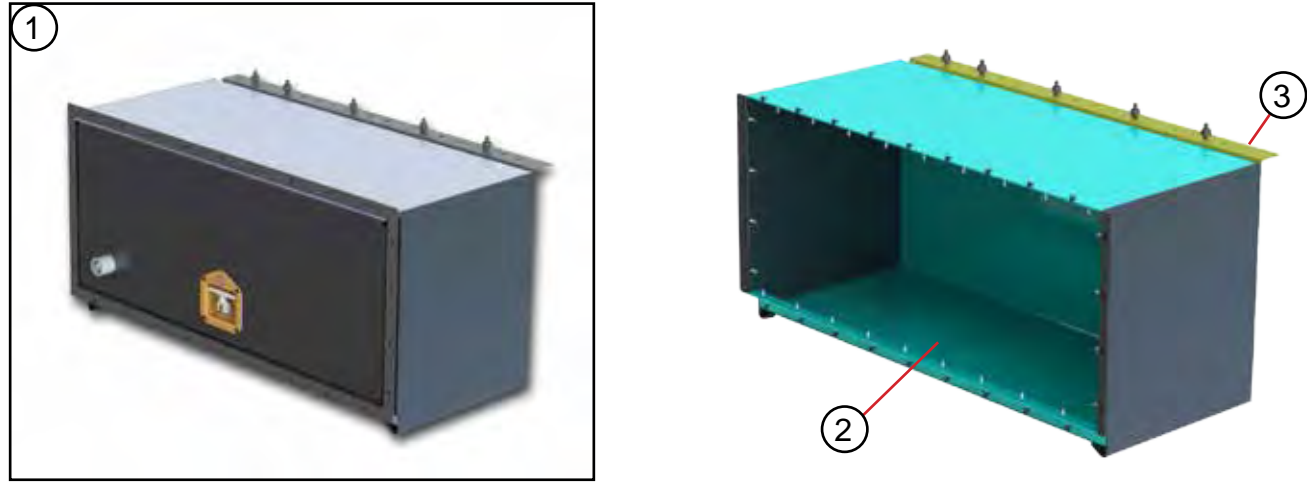
ITEM #	PART #	DESCRIPTION	QTY	UNIT
1	47008706	KNOB	2	EA
23	47008735	KNOB	1	EA
2	47008707	DECAL	1	EA
3	47008708	LIGHT PANEL	1	EA
4	47008709	CONTROL PANEL	1	EA
5	47008700	BLOWER SWITCH	1	EA
6	47008710	POTENTIOMETER SWITCH	2	EA
7	47008711	HARNESS ILLUMINATION W/BULBS	1	EA
8	47008712	HARNESS BLOWER MOTOR	1	EA
9	555001721	DEFROST DUCT CURBSIDE	1	EA
10	555001722	DEFROST DUCT ROADSIDE	1	EA
11	093080400	HOLD DOWN PLATE DEFROSTER DUCTS	4	EA
NS	555001523	HOSE DEFROSTER 2.5X16	2	EA
13	555001524	HOSE DEFROSTER 2.5X30	2	EA
NS	555001525	HOSE DEFROSTER 2.5x38	1	EA
15	555002003	COLLER FRESH AIR INTAKE	1	EA
16	555001715	LOUVER BALL	6	EA
17	555001321	DUCT HVAC	1	EA
18	107027405	BRACKET HEATER VENT	1	EA
20	555001533	HOSE BLOWER HEATER/DEFROSTER 5"X7.5"	1	EA
21	005780402	MOUNTING PLATE	1	EA
22	002080400	BRACKET HEATER CONTROL AL .102X3X11.67	1	EA



ITEM #	PART #	DESCRIPTION	QTY.	UNIT
1	46025017	REFLECTOR 2.88 RED	1	EA
2	46025018	REFLECTOR 2.88 AMBER	2	EA
3	008300401	LABEL FUSE BLOCK LH	1	EA
4	008300402	LABEL FUSE BLOCK RH	1	EA
5	083092404	COVER FUSE CENTER AL.102X4X4.13	1	EA
6	102084499	BRACKET MOUNTING FUSE BOX AL.102X4X12.78	1	EA
7	46026311	TYCLAMP #10 X 7.5	1	EA
8	1107072	GROMMET	1	EA
9	1107109	GROMMET 0.375X0.125X.0625	1	EA
10	44000052	GROMMET .688X.125X1	1	EA
11	40900081	GROMMET HALF	4	EA
12	46004402	GROMMET ROUND BLACK 4IN LAMP	6	EA
13	46004403	GROMMET OBLONG BLACK LAMP	2	EA
14	44000800	MUD FLAPS LDV BLACK 24X26	1	PR
15	7504428	RETAINER MUD FLAP	2	EA
16	80795014	ANGLE RETAINER MUD FLAP	2	EA
17	138077401	BRACKET SUPPORT AL .102X4.61X24.11	1	EA
18	138077403	BRACKET SUPPORT AL .102X2.37X13.29	1	EA
19	138077405	BRACKET RETAINER AL .188X5X20	1	EA
20	1113334	LATCH BATTERY LID	1	EA
21	47000613	LATCH HOOD	1	EA
22	1113336	LATCH ENGINE BOX	1	EA
23	093116410	INSULATION DASH WALL	1	EA
24	098005404	INSULATION E/BX42002056X14.28X31.29	1	EA
25	098005405	INSULATION E/BX42002056X15.09X33.05	1	EA
26	098005406	INSULATION E/BX42002056X21.25X30.59	1	EA
27	098005407	INSULATION E/BX42002056X19.58X30.72	1	EA
28	098028401	INSULATION E/BX42002056X13.55X28.25	1	EA

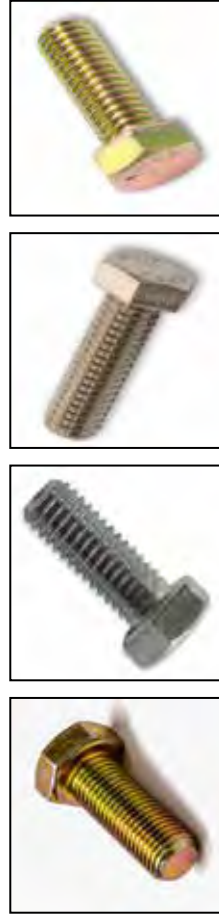


ITEM #	PART #	DESCRIPTION	QTY.	UNIT
1	148133403	BRACKET STRIKER DOOR AL .102X1.4X7.96	1	EA
2	97R653020	PLATE STRIKER STL 11GAX1.47X8	1	EA
3	1113035	DOOR HOLDER REAR 3" M/FEM	2	KIT
4	1113382	DOOR HANDLE	1	EA
5	47001149	GASKET DOOR HANDLE	1	EA
6	1113383	CYLINDER LOCK WITH KEY	1	EA
7	47001189	HANDLE BULKHEAD DOOR	1	EA
8	088070482	SPACER DOOR HANDLE	1	EA
9	47001181	CYLINDER REMOVABLE BULKHEAD DOOR HANDLE	1	EA
10	11007087	GROMMET HEATED MIRRORS	4	EA
11	47009600	CARPET BULKHEAD GREY	18.5	FT
12	47007038	NECK FUEL FILL	1	EA
13				EA
14				EA
15				EA
16				EA
17				EA
18				EA
19				EA
20				EA
21				EA
22				EA
23				EA
24				EA



ITEM #	PART #	DESCRIPTION	QTY.	UNIT
1		BATTERY BOX COMPLETE	1	EA
2	130009201	BATTERY BOX ASSEMBLY	1	EA
3	130009408	ANGLE SUPPORT AL 450523X36	1	EA
4	130009200	FRAME ASSEMBLY OUTER - BATTERY BOX	1	EA
5	130009204	DOOR ASSEMBLY (DOOR, HINGE, HANDLE & GASKET)	1	EA
6	130009405	HINGE STAINLESS 47007794X36"	1	EA
7	47001498	HANDLE T POLISHED STAINLESS W/LOCK RH	1	EA
8	47001499	GASKET - HANDLE	1	EA
9	47000921	HOLD/BACK DOOR 6LBS	1	EA
10	44004079	SEAL "D" .25 X .375	9	FT
11	47008674	PLUG ROUND	2	EA

HEX CAP SCREWS



Size	Description	Thread	Lengths															
			.62	3/4"	1"	1-1/4"	1-1/2"	1-3/4"	2"	2-1/2"	3"	3-1/4"	4"					
1/4" Hex Cap Screw	GR5 ZC/RO	20				1117009												
1/4" Hex Cap Screw	GR5 ZC/RoHS	20	85743007		1101688													
1/4" Hex Cap Screw	18-8 Stainless	20	1117816		85743006	1117010												
1/4" Hex Cap Screw	ASTM F593C	20			1117819													
5/16" Hex Cap Screw	18-8 Stainless	18					1117804											
5/16" Hex Cap Screw	GR8 ZC/Y	18			1117045													
5/16" Hex Cap Screw	ASTM F593	18			1117803				1117059									
5/16" Hex Cap Screw	GR5 ZC/R	16					1117837											
3/8" Hex Cap Screw	GR8 ZC/Y	18					1117049	1117055										
3/8" Hex Cap Screw	GR8 ZC/Y	16			1117843													
3/8" Hex Cap Screw	GR5 ZC/RO	16			47012646					1117097								
3/8" Hex Cap Screw	GR5 ZC/RoHS	16	40300056							40300058								
3/8" Hex Cap Screw	ASTM F593C	16							1117805	1117052								
7/16" Hex Cap Screw	GR8 ZC/Y	20							1217000									
1/2" Hex Cap Screw	GR5 ZC/RoHS	13																
1/2" Hex Cap Screw	GR5 ZC/RO	13																
1/2" Hex Cap Screw	GR5 ZC/RoHS	13								1117121								
1/2" Hex Cap Screw	GR5 ZC	13								1117043	1117124	1117051						
5/8" Hex Cap Screw	GR5	11							1117036	051461								
	ZC																	
	ZP																	
	Y																	
	GR																	
	RoHS																	
	ASTM F593C																	

ZC	Zinc Coated
ZP	Zinc Plated
Y	Yellow
GR	Grade
RoHS	AS9100C ISO 9001:2008
ASTM F593C	American Standards Measurements Specifications

	Grade 8 Medium Carbon Alloy Steel
	Grade 5 Medium Carbon Steel
	Grade 2 Low or Medium Carbon Steel



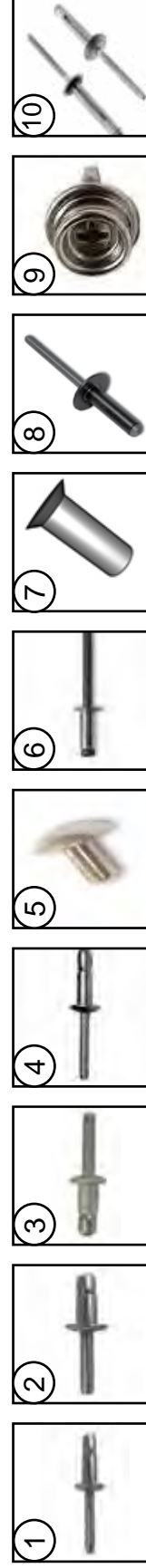
ZP - ZINC PLATED

Standard	Thread	FIG.	#8	#10	1/4"	5/16	3/8"	.44	1/2"	DIA.
NYLON LOCKING NUT, HEX	32	1		052266						
NYLON LOCKING NUT, HEX	24	1		40301303						
NYLON LOCKING NUT, HEX ZP	24	3		1117307						
NYLON LOCKING NUT, HEX ZP	20	3			1117310					
NYLON LOCKING NUT, HEX ZP	18	3				1117838				
NYLON LOCKING NUT, HEX ZP	16	3					1117344			
LOCKING NUT HEX FLANGE .44-20 OVAL	20	4						1217003		
NUTSERT EXPANDING NYL .275 SQ	20	5		40900006						
NUT NON LOCKING	24	2		1117303						
NUT NON LOCKING	20	2			1117312					
NUT NON LOCKING	16	2					1117316			
GRADE 5										
NUT STL LK LRG FLG GD5 .31-18	18	4				40100560				
NUT STL HEX LK B ZP .5 -13 GR 5	13	1							1117283	
18-8 Stainless										
NUT SS LOCKING	32	3	1117347	1117699						
NUT SS LOCKING	24	6		1103354						
NUT SS LOCKING	20	6			1117336					
NUT SS NON LOCKING	20	7			40100044					
NUT SS ACORN LOW CROWN	20	8			40100061					
Speciality										
CHANNEL NUT WITH SPRING 1 X 1-1/4"	20	9			47009988					

Genuine OEM Parts

1.800.233.4823

www.morganolsonparts.com



	Diameter	Fig.	.25	.312	.375	.438	.44	.5	.562	.625	.687	.75	.875	1"
HUCK R6-4	.188	1		1117084	1117061									
HUCK R8-6	.25	2		1117087										
PROTRUDING HEAD	.25	3			40200304		40200634			40200303				
FLUSH HEAD B6-4	.25	4						40200630						
RIV AL BRAIZER HEAD	.125	5		1117402	1117404	1117405		1117406						
RIV AL BRAIZER HEAD	.188	5		1117351	1117353	1117355		1117357	1117359	1117361	1117363	1117365	1117368	
RIV AL BRAIZER HEAD	.25	5						1117380	1117385	1117382		1117386		1117395
RIV AL BRAIZER HEAD MOD	.25	5			40200213		40200214	1117409	1117410		1117408	1117869	1117390	
RIV AL FLAT HEAD	.125	7			85780100									
RIV AL FLAT HEAD	.188	7			1117434	1117436		1117438		1117440	1117442			
RIV AL FLAT HEAD POP	.25	7								40200630				
RIV AL DOME HEAD BLIND	.125	10	1117464											
RIV AL DOME HEAD BLIND	.188	10	1117456		1117457			1117458		1117459				
POP AL OPEN END BLIND	.125	6			1117421									
POP AL OPEN END BLIND	.188	6	1117456		1117457					1117459		1117458		
POP CLSD BLACK		8						40200629		40200631				
SNAP FASTNER		9						40900925						
BULB TYPE BLIND w/WASHER	.188	10			40200621			40200501						

Genuine OEM Parts

1.800.233.4823

www.morganolsonparts.com



Standard	I/D	FIG.	3/8	1/2	9/16	5/8	3/4"	7/8	1"	1-1/4"	1-3/4"
#10 TYPE B FLAT WASHER ZINC/ROHS	.190	1			1117929						
#10 X 1 FENDER WASHER ZC	.190	2							1117950		
#10 EXTERNAL TOOTH LW ZC	.190	3	1117971								
1/4 EXTERNAL TOOTH LW ZC	1/4	3		1117975							
1/4 TYPE B NARROW FLAT WASHER	1/4	4			1117941						
1/4 USS FLAT WASHER ZC/ROHS	1/4	1					1117953				40300918
1/4 F436 (A325) FLAT WASHER ZC/ROHS	1/4	1				40000047					
FLAT WASHER .060 THICK ZC/RO	1/4	1							1117952		
1/4 USS FLAT WASHER	1/4	1			1117885						
5/16 SPLIT LOCK WASHER ZC/ROHS	5/16	5	1117965								
5/16 USS FLAT WASHER ZC/ROHS	5/16	1						1117955			
3/8 USS FLAT WASHER ZC/ROHS	3/8	1						1117957			
3/8 X 1 FLAT WASHER 1/4 THK NYLON	3/8	6							40000038		
1/2 TYPE B REGULAR FLAT WASHER	1/2	1								40000050	
1/2 TYPE B REGULAR FLAT WASHER ZC	1/2	1								1117945	
1/2 TYPE B WIDE FLAT WASHER ZC/ROHS	1/2	1									1117959
Grade 8											
1/4 FLAT WASHER GR 8 ZC/Y	1/4	7								85761003	
5/16 FLAT WASHER GR 8 ZC/Y	5/16	7						1117937			
3/8 FLAT WASHER GR 8 ZC/Y	3/8	7					40000046		1117947		
7/16 FLAT WASHER GR 8 ZC/Y	7/16	7								1217002	
1/2 FLAT WASHER GR 8 ZC/Y	1/2	7							1117943	85761009	
Stainless 18-8											
#10 X 5/8 BONDED SEALER 18-8 SS	.190	8			85761250	40000053					
1/4 X 5/8 BONDED SEALER 18-8 SS	1/4	8				40000051					
3/8 X 3/4 BONDED SEALER 18-8 SS	3/8	8					40000054				
3/8 X 1" BONDED SEALER 18-8 SS	3/8	8							40000055		
1/4 EXTERNAL TOOTH SS LW ZC	1/4	3			40000510						
Speciality											
WASHER NYLON .13 X .62 ID X 1.38OD	5/8	9									137147429

Genuine OEM Parts

1.800.233.4823

www.morganolsonparts.com



18-8 Stainless	Diameter	Fig.	Length													
			.5	.625	.75	.875	1"	1-1/4"	1-1/2"	2-1/4"	2-1/2"	3"				
PHILLIPS TRUSS M/S 18-8 SS	8 - 32	1		1117716												
PHILLIPS TRUSS M/S 18-8 SS	10 - 24	1	1117800	1117814	40300498			40300451	1117835							
PHILLIPS TRUSS M/S 18-8 SS	1/4 - 20	1		1117857	1117784			40300453	40300454							
PHILLIPS TRUSS M/S 18-8 SS	5/16 - 18	1			1117928											
PHILLIPS FLAT M/S 18-8 SS	10 - 32	2						1117830	1117900							
PHILLIPS FLAT M/S 18-8 SS	10 - 24	2							40300510							
PHILLIPS FLAT M/S 18-8 SS	1/4 - 20	2						1117782	40300634	40300634			40300630	40300631	40300638	
PHILLIPS FLAT M/S 18-8 SS	3/8 - 16	2														
PHILLIPS ROUND M/S 18-8 SS	10 - 24	6														
6 LOBE PAN T/C M/S 18-8 SS	1/4 - 20	9							1117815							
Standard Steel RoHS																
PHILLIPS ROUND M/S ZC/ROHS	8 - 32	6														
PHILLIPS PAN TEKS/3 ZC/ROHS	10 - 16	5								1117674						1117793
PHILLIPS TRUSS M/S ZC/ROHS	10 - 24	1														
PHILLIPS TRUSS M/S ZC/ROHS	10 - 32	1	1117723		1117688			1117715								
T/C - Thread Cutting																
PHIL PAN T/S TYPE A ZC	10	8														
PHIL TRUSS T/S TYPE A BLK	10	4							1117680							
PHIL PAN T/S TYPE A BLK	10	7							40300101							
PHIL PAN T/S TYPE A ZC	12	8							40300503							
6 LOBE PAN T/C	1/4 - 20	9		85743152	1117668				40300922				1117684			40300042



T/C Thread Cutting 6 Lobe Type A
Genuine OEM Parts

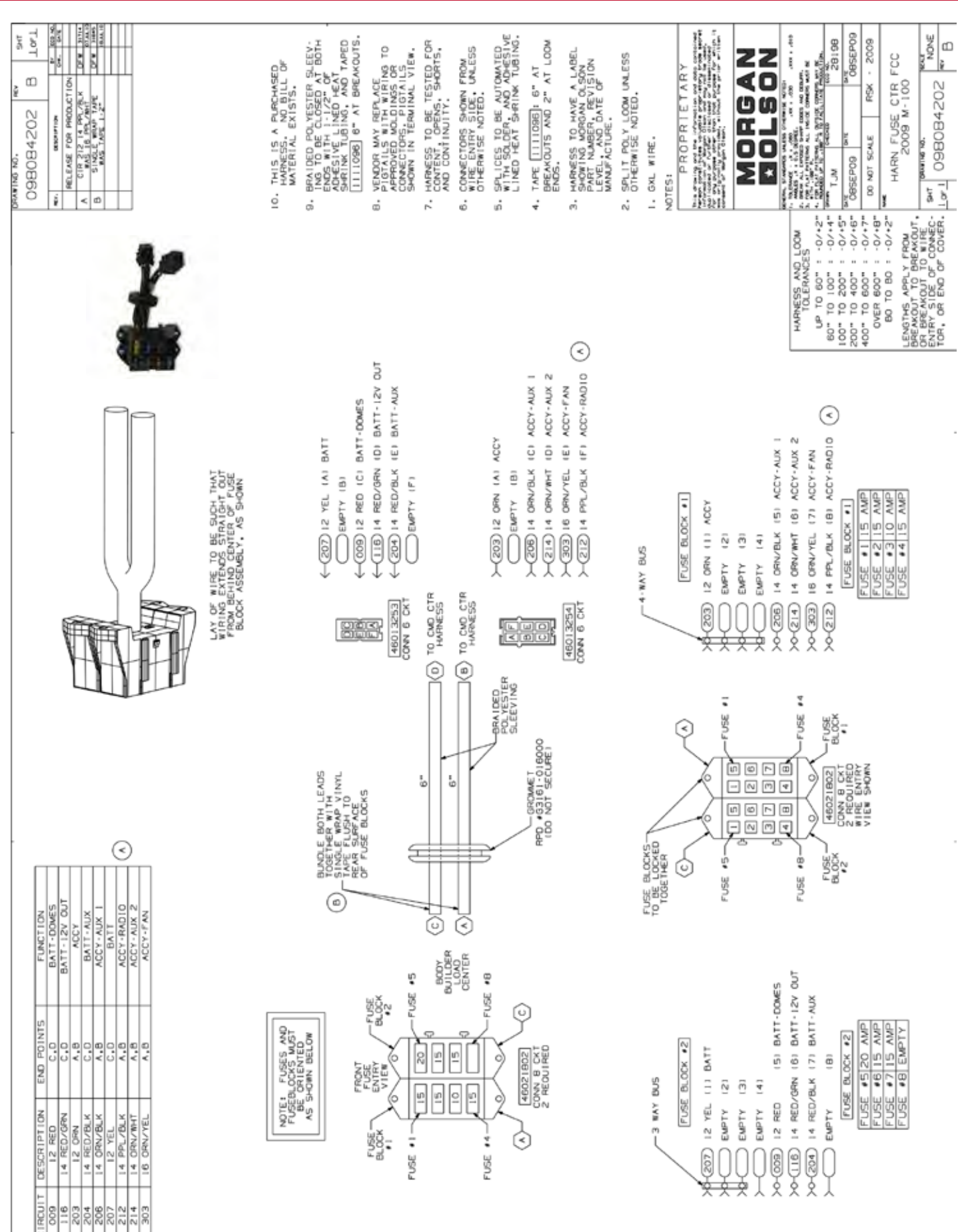
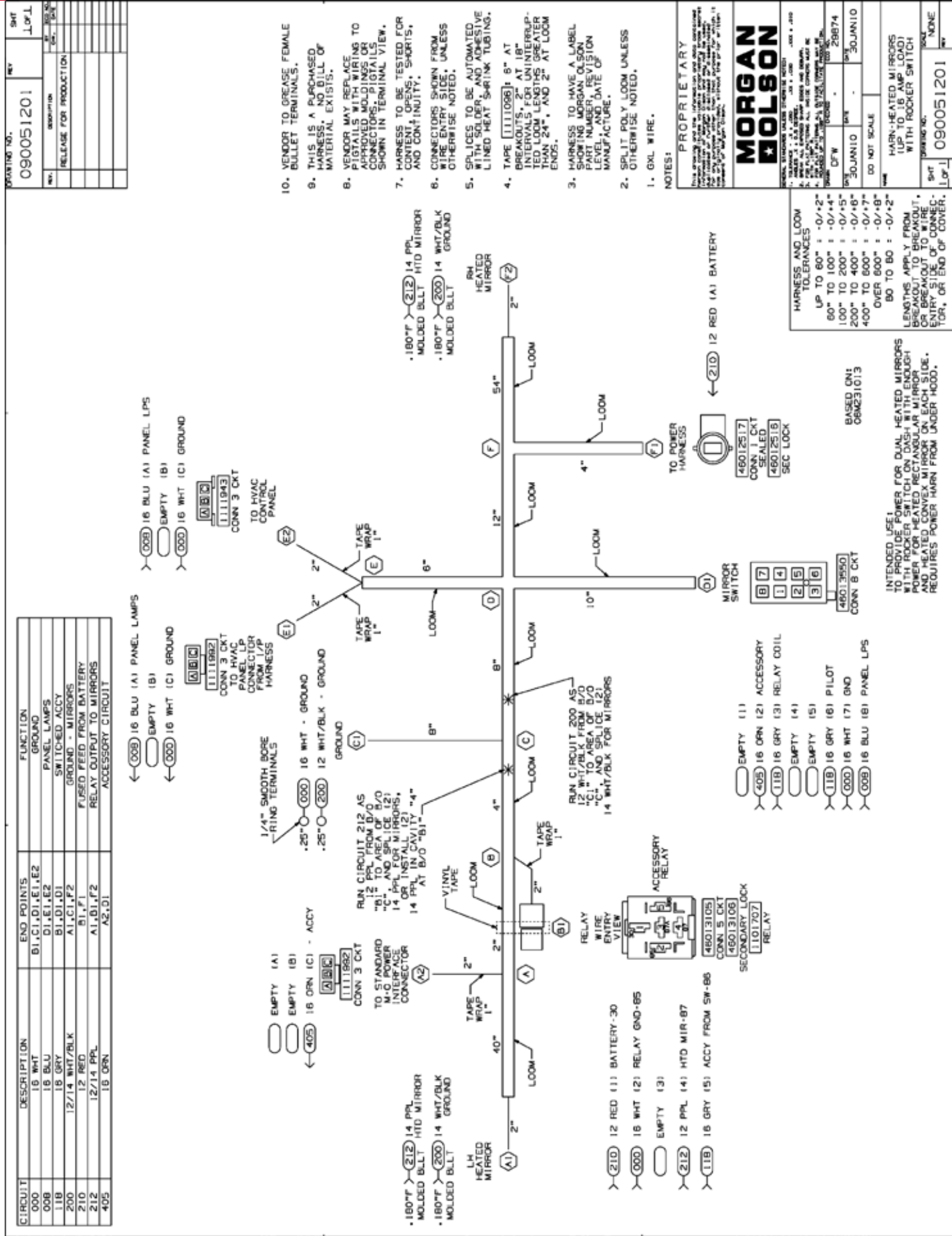
1.800.233.4823

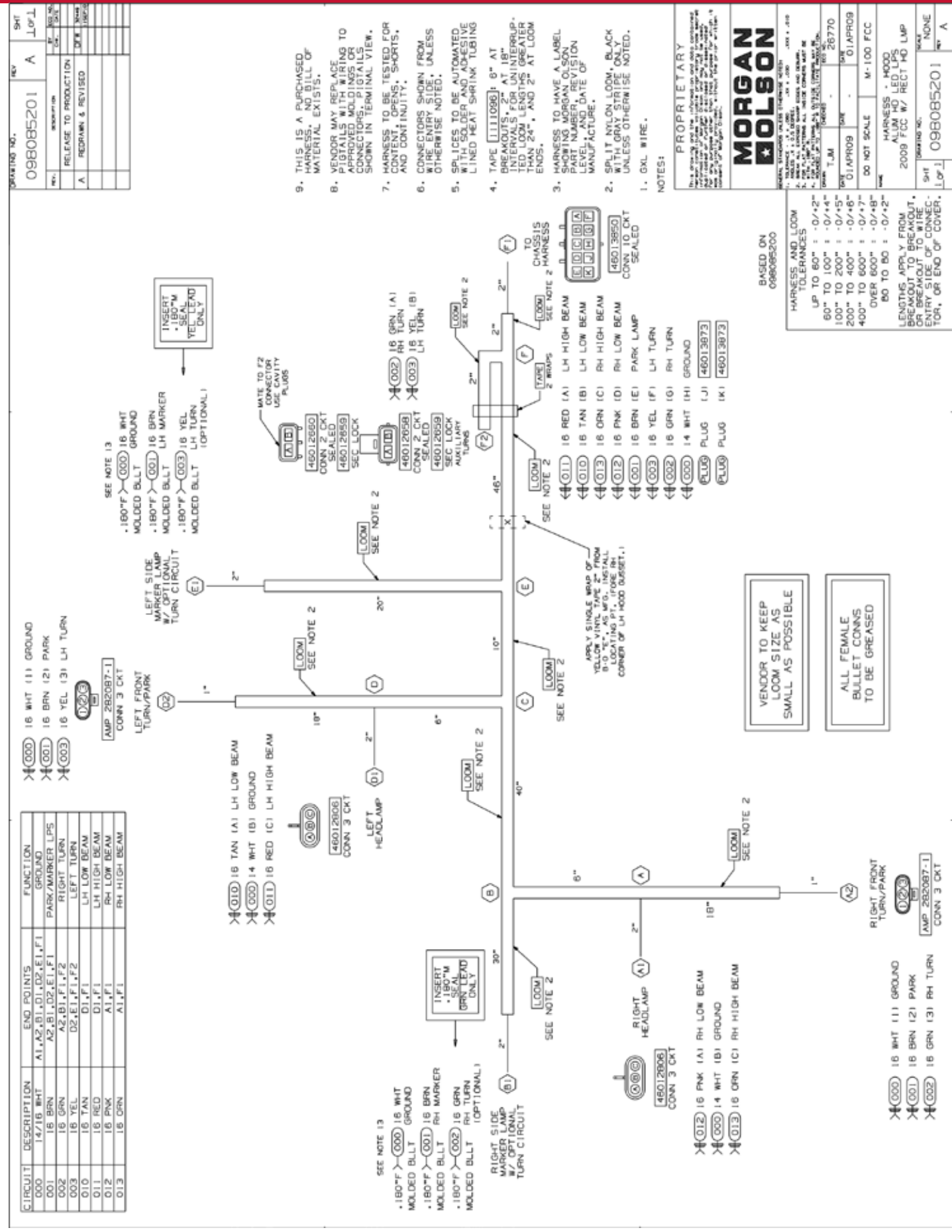
www.morganolsonparts.com



ITEM #	PART #	DESCRIPTION	QTY.	UNIT
1	46024513	BACK UP ALARM	1	FT
2	46023605	SWITCH ROCKER DASH FAN ON-OFF-ON	1	FT
3	46023508	SWITCH CAB DOME LAMP SPST ON-OFF	1	EA
4	46023618	SWITCH ROCKER ACTUATOR HEATED MIRRORS	1	EA
5	46023611	SWITCH ROCKER BASE HTD/ MIRRORS SPDT ON - ON	1	EA
6	46030011	FAN 2 SPEED 270 CFM	1	EA
7	46023310	SWITCH WIPER ON/OFF, WASH & SPEED CONTROL	1	EA
8	46003017	LAMP INTERMITANT WIPER	1	EA
9	46002427	LAMP LICENSE PLATE LED CLEAR	1	EA
10	46001905	LAMP AUX STOP TURN BAR	1	EA
11	46002209	LAMP REAR COMBO LED (SHOWN WITH GROMMET 4600402)	4	EA
12	46001406	LAMP B/U LED (SHOWN WITH GROMMET 46004402)	2	EA
13	46000615	LAMP PARK / TURN FRONT LED (USE GROMMET 46004403)	2	EA
14	46000213	LAMP HEADLIGHT ASSEMBLY	2	EA
15	46026380	FLASHER FOR TURN/TAIL LED	1	EA
16	46001339	LAMP CLEARANCE MARKER LED AMBER	6	EA
17	46001362	LAMP CLEARANCE MARKER LED AMBER	1	EA
18	46001340	LAMP CLEARANCE MARKER LED RED	7	EA
19	46019325	LOCK SECD .180 BULLET M/FEM	1	EA
21	46025303	SWITCH MAGNETIC REED CLOSED LOOP	4	EA
22	124091400	BRACKET MAGNET DOOR AL .102X3.91X4.47 RH	1	EA
23	074091402	BRACKET SWITCH AL .102X2.5X3.62	2	EA
24	124091401	BRACKET MAGNET DOOR AL .102X3.91X4.47 LH	1	EA

PAGE #	PART #	DESCRIPTION	QTY.	UNIT
38	47004506	HARNESS PIGTAIL PUMP WINDOW WASHER	1	EA
39	082091200	HARNESS POWER OPTION FROM BATTERY	1	EA
40	090051201	HARNESS MIRROR HEATED W/RKR SW	1	EA
41	098084202	HARNESS FUSE CENTER	1	EA
42-45	098084203	HARNESS I/P FCC	1	EA
46	098085201	HARNESS HOOD (FOR ALUMINUM HOOD)	1	EA
47	124091200	HARNESS JPR LIFT GATE DOOR SAFETY	1	EA
48	130087200	HARNESS REAR WRG LH SILL	1	EA
49	130087201	HARNESS REAR WRG RH SILL	1	EA
50-51	132093200	HARNESS ROOF 13/16" SPCL	1	EA
52	133093201	HARNESS TRANSOM CHMSL	1	EA
53-54	137391200	HARNESS ROOF TO NOSE	1	EA
55-57	138084200	HARNESS COMMAND CENTER FCC	1	EA





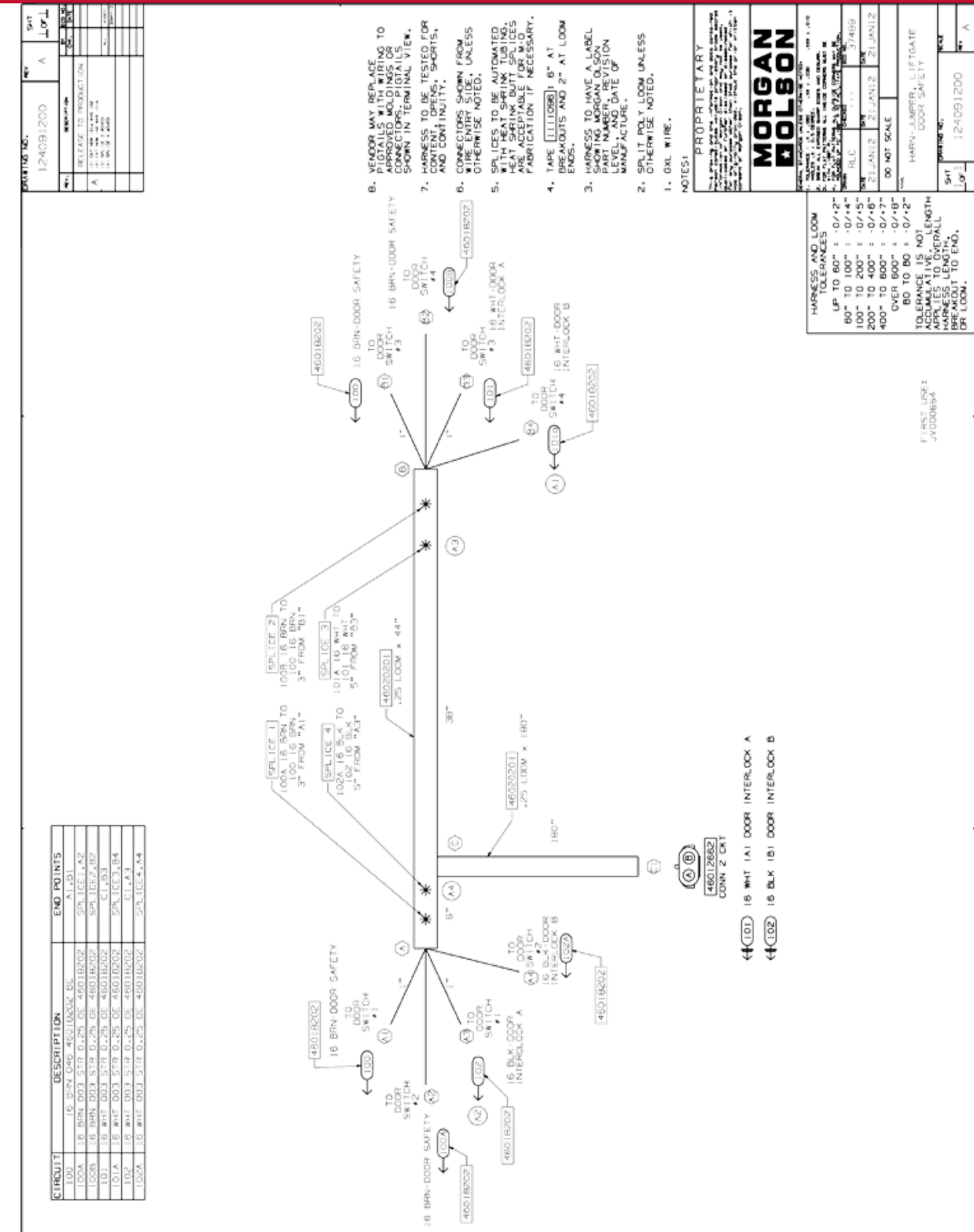
9. THIS IS A PURCHASED HARNESSES. NO BILL OF MATERIAL EXISTS.
 10. VENDOR MAY REPLACE PIGTAILS WITH WIRING TO APPROVED MOLDED BULBS OR CONNECTORS. PIGTAILS SHOWN IN TERMINAL VIEW.
 11. HARNESSES TO BE TESTED FOR CONTENT, OPENS, SHORTS, AND CONTINUITY.
 12. CONNECTORS SHOWN FROM WIRE ENTRY SIDE, UNLESS OTHERWISE NOTED.
 13. SPLICES TO BE AUTOMATED WITH SOLDER AND ADHESIVE LINED HEAT SHRINK TUBING [1111098]. 8" AT BREAKOUTS, 18" AT INTERVALS FOR UNINTERLUPTED LOOM LENGTHS GREATER THAN 24", AND 2" AT LOOM ENDS.
 14. HARNESSES TO HAVE A LABEL SHOWING MORGAN NOLSON PART NUMBER, REVISION NUMBER, AND DATE OF MANUFACTURE.
 15. SPLIT NYLON LOOM, BLACK WITH GRAY STRIPE ONLY, UNLESS OTHERWISE NOTED.
 16. GXL WIRE.

NOTES:

PROPRIETARY

MORGAN NOLSON

DATE: 12/11/2009
 REV: A
 BY: J.M.
 PART NO: 098085201
 DO NOT SCALE
 M-100 FCC
 HARNESSES HOOD LAMP W/ LED LAMP 2009 FCC W/ RECT LAMP
 SHEET: NONE
 OF: 1
 098085201
 REV: A



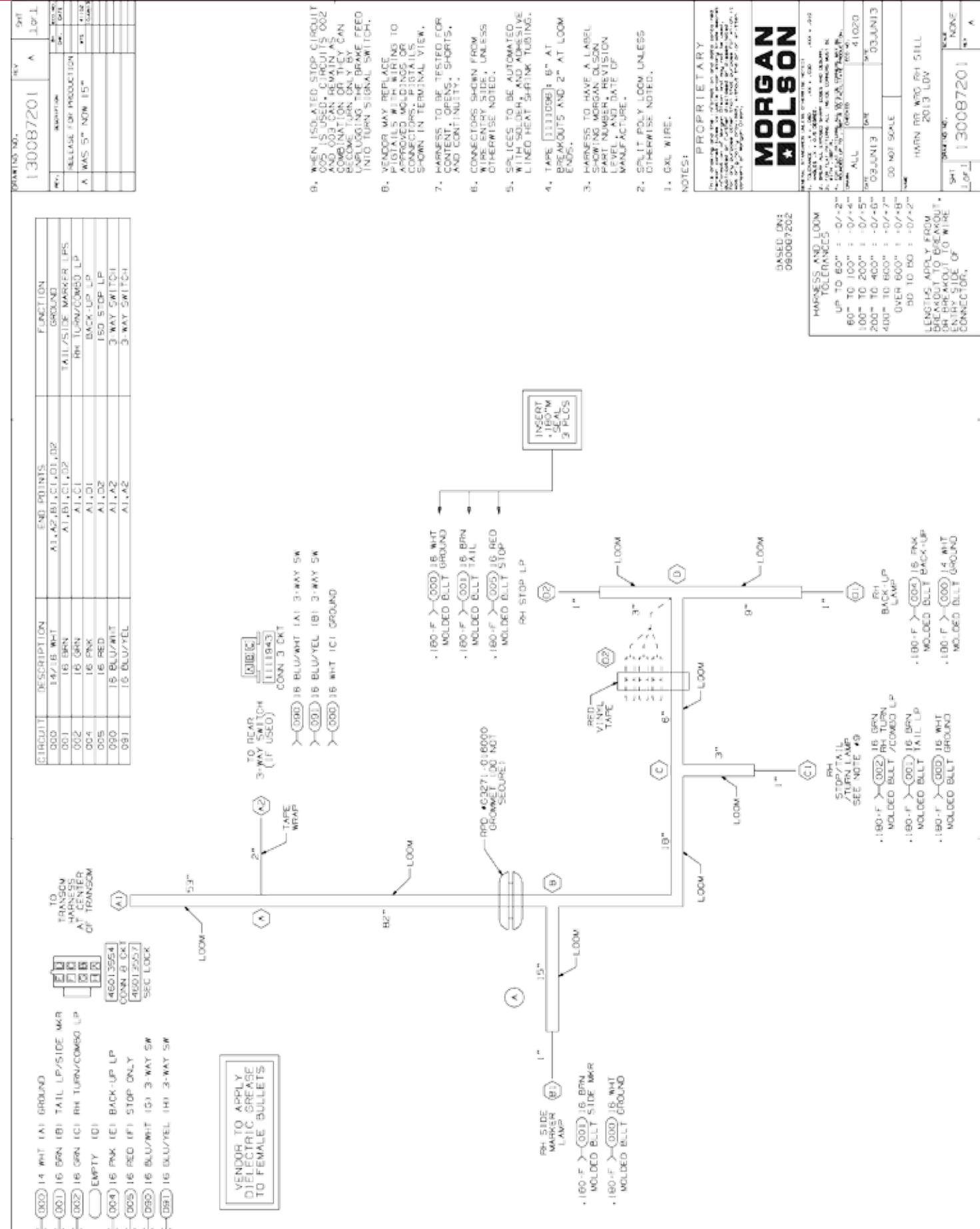
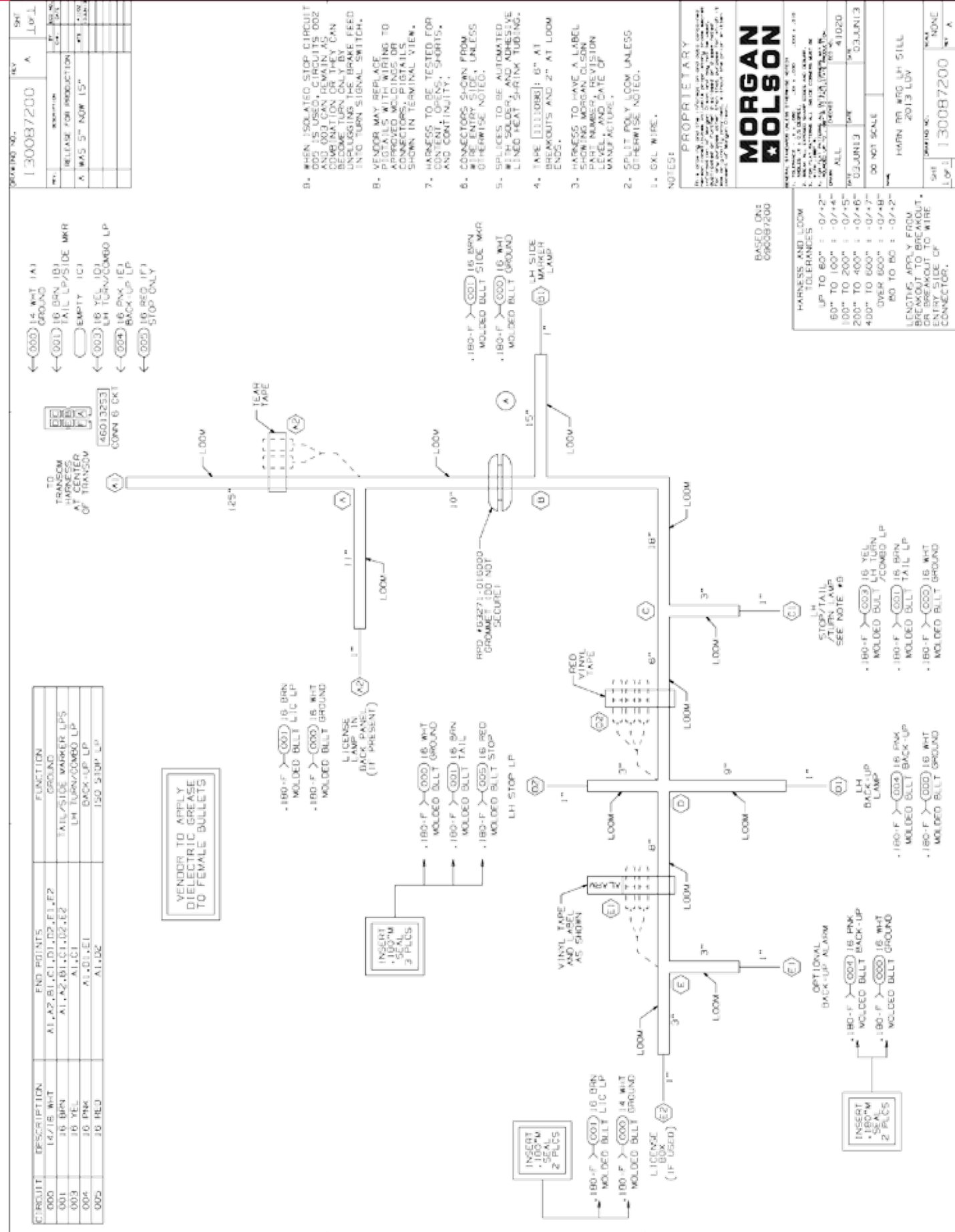
9. THIS IS A PURCHASED HARNESSES. NO BILL OF MATERIAL EXISTS.
 10. VENDOR MAY REPLACE PIGTAILS WITH WIRING TO APPROVED MOLDED BULBS OR CONNECTORS. PIGTAILS SHOWN IN TERMINAL VIEW.
 11. HARNESSES TO BE TESTED FOR CONTENT, OPENS, SHORTS, AND CONTINUITY.
 12. CONNECTORS SHOWN FROM WIRE ENTRY SIDE, UNLESS OTHERWISE NOTED.
 13. SPLICES TO BE AUTOMATED WITH SOLDER AND ADHESIVE LINED HEAT SHRINK TUBING ARE ACCEPTABLE FOR W.O. FABRICATION IF NECESSARY.
 14. TAPE [1111098]. 8" AT BREAKOUTS AND 2" AT LOOM ENDS.
 15. HARNESSES TO HAVE A LABEL SHOWING MORGAN NOLSON PART NUMBER, REVISION NUMBER, AND DATE OF MANUFACTURE.
 16. SPLIT POLY LOOM UNLESS OTHERWISE NOTED.
 17. GXL WIRE.

NOTES:

PROPRIETARY

MORGAN NOLSON

DATE: 12/11/2009
 REV: A
 BY: J.M.
 PART NO: 124091200
 DO NOT SCALE
 HARNESSES HOOD LAMP W/ LED LAMP 2009 FCC W/ RECT LAMP
 SHEET: NONE
 OF: 1
 124091200
 REV: A



WORKING NO.	REV	SHT
132093200	A	2 OF 2
DATE	DESCRIPTION	BY
	100% WAS 50"	

11. VENDOR TO GROUND FEMALE BULLET TERMINALS.
10. MAIN TRUNK OF HARNESS MUST FIT IN A .75 DIA. WIRE CHANNEL
9. THIS IS A PURCHASED HARNESS. NO BILL OF MATERIAL EXISTS.
8. VENDOR MAY REPLACE PIGTAILS WITH WIRING TO APPROVED MOLDINGS OR CONNECTORS. PIGTAILS SHOWN IN TERMINAL VIEW.
7. HARNESS TO BE TESTED FOR CONTENT, OPEN, SHORTS, AND CONTINUITY.
6. CONNECTORS SHOWN FROM WIRE ENTRY SIDE, UNLESS OTHERWISE NOTED.
5. SPLICES TO BE AUTOMATED WITH SOLDER, AND ADHESIVE LINED HEAT SHRINK TUBING.
4. TAPE [1111009]: 6" AT BREAKOUT, 2" AT 18" RADIUS, 1" AT 24" RADIUS, 1/2" AT 48" RADIUS, 1/4" AT 96" RADIUS, 1/8" AT 192" RADIUS.
3. HARNESS TO HAVE A LABEL SHOWING MORGAN NOLSON PART NUMBER, REVISION LEVEL, AND DATE OF MANUFACTURE.
2. SPLIT POLY LOOM UNLESS OTHERWISE NOTED.
1. OIL WIRE.

NOTES:

PROPRIETARY

MORGAN NOLSON

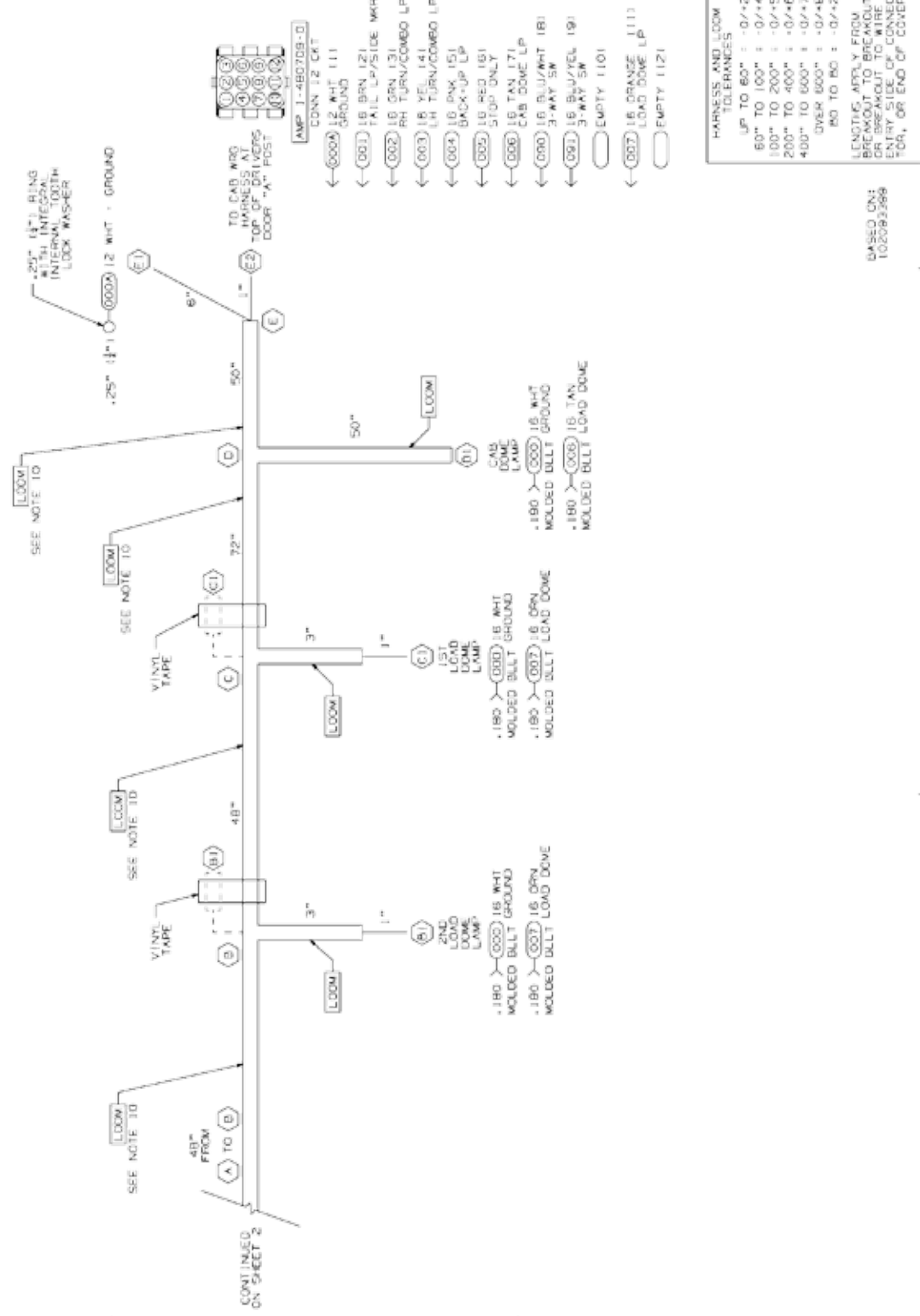
ALL RIGHTS RESERVED. UNLESS OTHERWISE SPECIFIED, THIS HARNESS IS THE PROPERTY OF MORGAN NOLSON. NO PART OF THIS HARNESS IS TO BE REPRODUCED OR TRANSMITTED IN ANY FORM OR BY ANY MEANS, ELECTRONIC OR MECHANICAL, INCLUDING PHOTOCOPYING, RECORDING, OR BY ANY INFORMATION STORAGE AND RETRIEVAL SYSTEM.

DATE: 04-10-20
 BY: [UNINIT]
 CHECKED: [UNINIT]
 APPROVED: [UNINIT]

DO NOT SCALE

HARNESS ROOF: 13" x 18" x 5"
 SPCL 2013 LDV

WORK NO: 132093200
 REV: A



HARNESS AND LOOM TOLERANCES

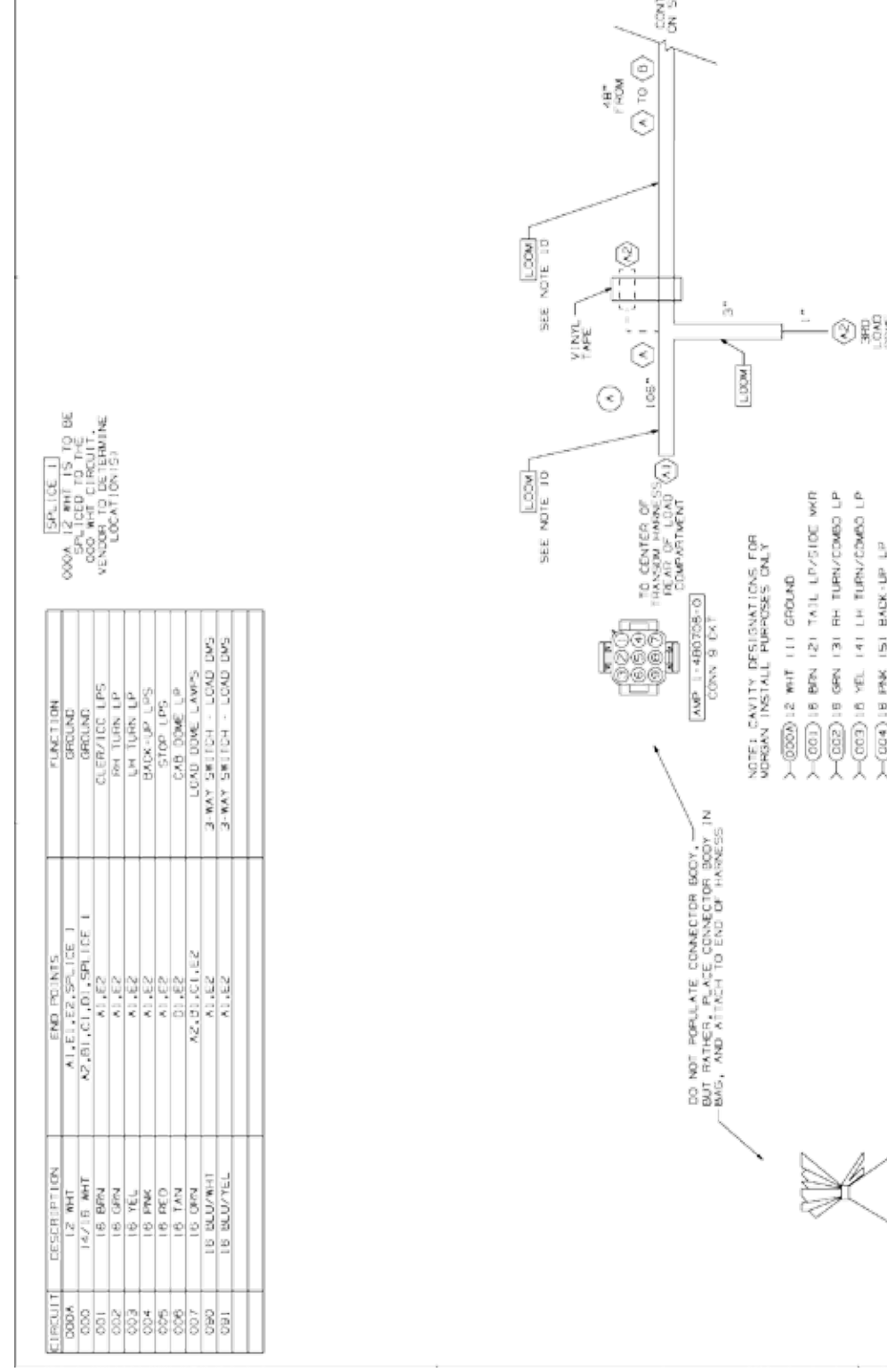
LP TO 60"	± 0/+2"
60" TO 100"	± 0/+4"
100" TO 200"	± 0/+5"
200" TO 400"	± 0/+6"
400" TO 600"	± 0/+7"
OVER 600"	± 0/+8"

80 TO 80 ± -0/+2"

LEADING: APPLY FROM BREAKOUT TO BREAKOUT. OR BREAKOUT TO WIRE ENTRY POINT. COVER FOR, OR END OF COVER.

BASED ON: 102093268

WORKING NO.	REV	SHT
132093200	A	2 OF 2
DATE	DESCRIPTION	BY
	100% WAS 50"	



CIRCUIT	DESCRIPTION	END POINTS	FUNCTION
000A	12 WHT	A1, E2, SPLICE 1	GROUND
000	14/18 WHT	A2, B1, C1, D1, SPLICE 1	GROUND
001	16 BRN	A1, E2	CLERK/ICC LPS
002	16 GRN	A1, E2	RM TURN LP
003	16 YEL	A1, E2	LM TURN LP
004	16 PNK	A1, E2	BACK-UP LPS
005	16 RED	A1, E2	STOP LPS
006	16 TAN	A1, E2	CAB DOME LP
007	18 GRN	A2, D1, C1, E2	LOAD DOME LAMPS
080	18 BLU/WHT	A1, E2	3-WAY SWITCH - LOAD DMS
081	18 BLU/YEL	A1, E2	3-WAY SWITCH - LOAD DMS

PROPRIETARY

MORGAN NOLSON

ALL RIGHTS RESERVED. UNLESS OTHERWISE SPECIFIED, THIS HARNESS IS THE PROPERTY OF MORGAN NOLSON. NO PART OF THIS HARNESS IS TO BE REPRODUCED OR TRANSMITTED IN ANY FORM OR BY ANY MEANS, ELECTRONIC OR MECHANICAL, INCLUDING PHOTOCOPYING, RECORDING, OR BY ANY INFORMATION STORAGE AND RETRIEVAL SYSTEM.

DATE: 04-10-20
 BY: [UNINIT]
 CHECKED: [UNINIT]
 APPROVED: [UNINIT]

DO NOT SCALE

HARNESS ROOF: 13" x 18" x 5"
 SPCL 2013 LDV

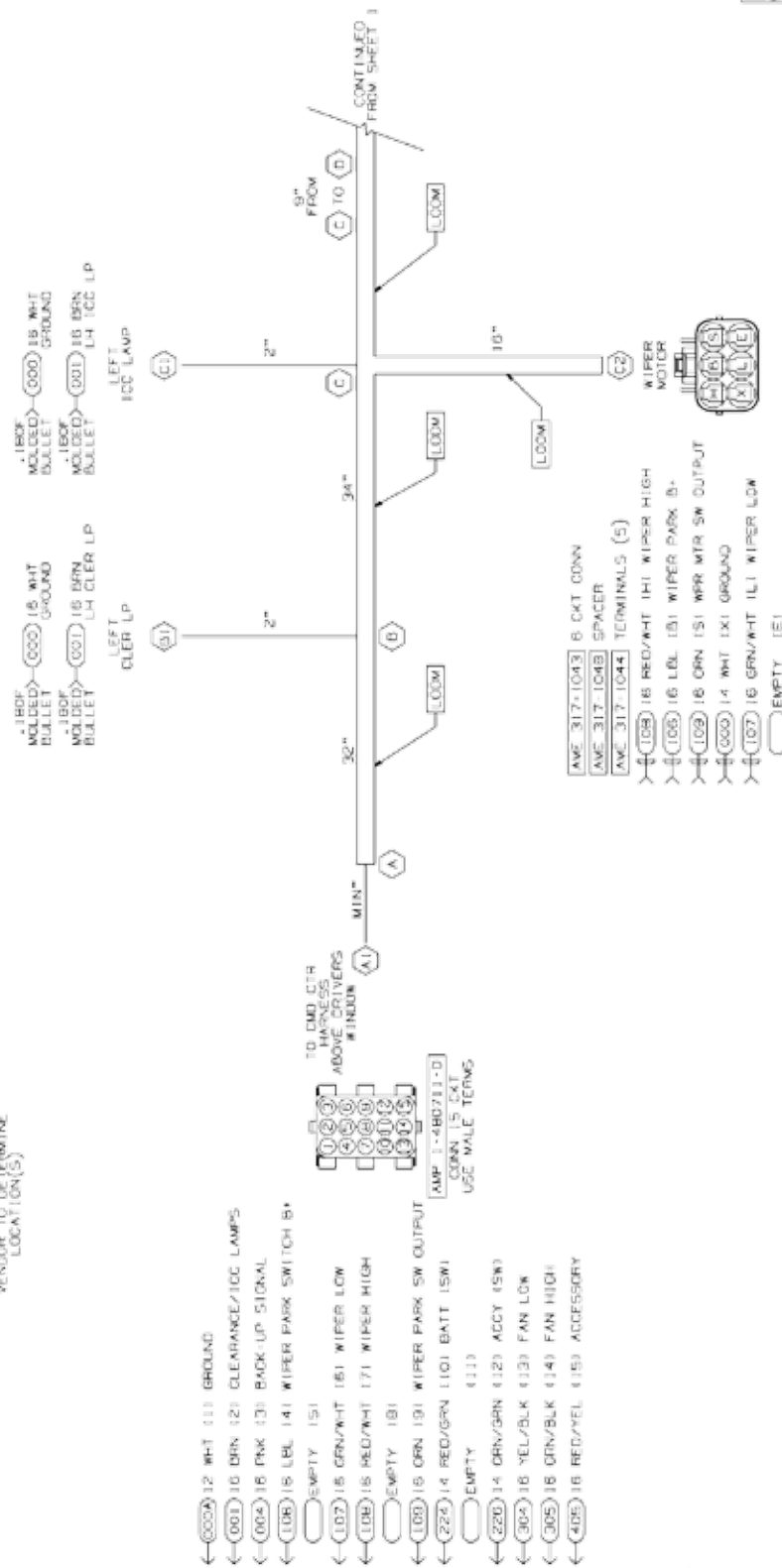
WORK NO: 132093200
 REV: A

DESIGN NO.	REV	SHT
137391200		2 of 2
NO.	DESCRIPTION	DATE
	RELEASE FOR PRODUCTION	

CIRCUIT	GA/COLOR	END POINTS	FUNCTION
109	18 GRN	A1-G2	WIPER SW SWITCH OUTPUT
224	14 RED/GRN	A1-G2	BATTERY - SWITCHED
228	14 GRN/GRN	A1-G2	ACCESSORY - SWITCHED
304	16 YEL/BLK	A1-G3	DASH FAN HIGH
305	16 GRN/BLK	A1-G3	DASH FAN LOW
405	16 RED/YEL	A1-G2	AUXILIARY ACCESSORY

CIRCUIT	GA/COLOR	END POINTS	FUNCTION
000A	12 WHT	A1-G4, SPLICE 1	GROUND
000	14/16 WHT	B3, C1, C2, D1, D2, E1, E2, E3, SPLICE 1	GROUND
001	16 BRN	A1, B1, C1, D1, E1, F1, E3	CLEARANCE/ICC LPS
004	16 PNK	A1-G2	BACK-UP SIGNAL
106	16 LBL	A1-G2	WIPER PARK SWITCH B+
107	16 GRN/WHT	A1-G2	WIPER LOW
108	16 RED/WHT	A1-G2	WIPER HIGH

SPLICE 1
 000A, 12 WHT IS TO BE
 SPLICED TO BULKHEAD
 WIRE. CABLE TO
 VENDOR TO DETERMINE
 LOCATION(S).



PROPRIETARY

MORGAN NOLSON

ALL INFORMATION CONTAINED HEREIN IS UNCLASSIFIED EXCEPT WHERE SHOWN OTHERWISE

DATE: 10/13/2010

FILE: 137391200

NO. ALL

REV. 03JAN13

DO NOT SCALE

2013 LV

DATE

HARN. ROOF NOSE

2013 LV

SHT. NONE

OF 1

NO. 137391200

PROPRIETARY

MORGAN NOLSON

ALL INFORMATION CONTAINED HEREIN IS UNCLASSIFIED EXCEPT WHERE SHOWN OTHERWISE

DATE: 10/13/2010

FILE: 138084200

NO. ALL

REV. 03JAN13

DO NOT SCALE

2013 LV

DATE

HARN. END CTR FCC

2013 LV

SHT. NONE

OF 1

NO. 138084200

