



**225 NORTH PATTERSON ST.**

**CAREY, OH 43316**

**CUSTOMER SERVICE PHONE 877-876-7452**

## **ROLL-UP DOOR PREVENTIVE MAINTENANCE CHECKLIST**

### **⚠️ WARNING**

The Counterbalance Spring is wound under High Tension. This High Tension Counterbalance Spring can cause Severe Injury or Death. Only Qualified technicians should adjust this spring.

Use two winding bars that are ½" in diameter and 15" long on Single Spring Assembly and one winding bar that is 3/8" in diameter and 15" long on Dual Spring Assembly with TG-Winder. DO NOT USE bent winding bars, screwdrivers or punches for spring winding.

### **⚠️ CAUTION**

Read all instructions before starting Preventive Maintenance Checklist. Always maintain firm footing and control of tools.

Adjustments and repairs must be made by trained service personnel using proper tools and instructions.

DO NOT use the rear door pull strap to support yourself when entering or exiting the rear. The strap can break or pull the door down on you. Use the grab handles for aid getting in and out of the rear.

Stand clear of the opening while the door is moving.

### **NOTICE**

To prevent damage to the cargo or vehicle, be sure that the rear door is closed and latched before driving the vehicle.

**For more detailed instructional information on repairs and adjustments, see Transglobal's installation and repair manual.**

# NOTICE

## LUBRICATION

Lubricate the Counterbalance Spring, Counterbalance Shaft Bearings, Rollers, Hinges, Top Fixtures, Bottom Roller Holders and Locks liberally with Transglobal Lube. Do NOT use grease. Wipe dirt from track. Frequency of door maintenance will vary with climate conditions and door cleaning procedures. Doors which are steam cleaned will need lubricated more often. Doors on equipment operated in areas where road salts are used will require lock lubrication at closer intervals. Do NOT use any petroleum-based lubricant on rubber door seals.

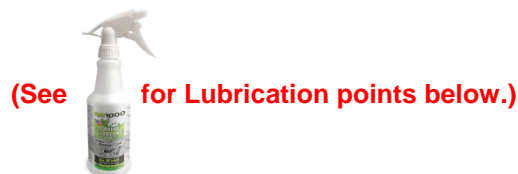
## TGS1000

### ADVANTAGES

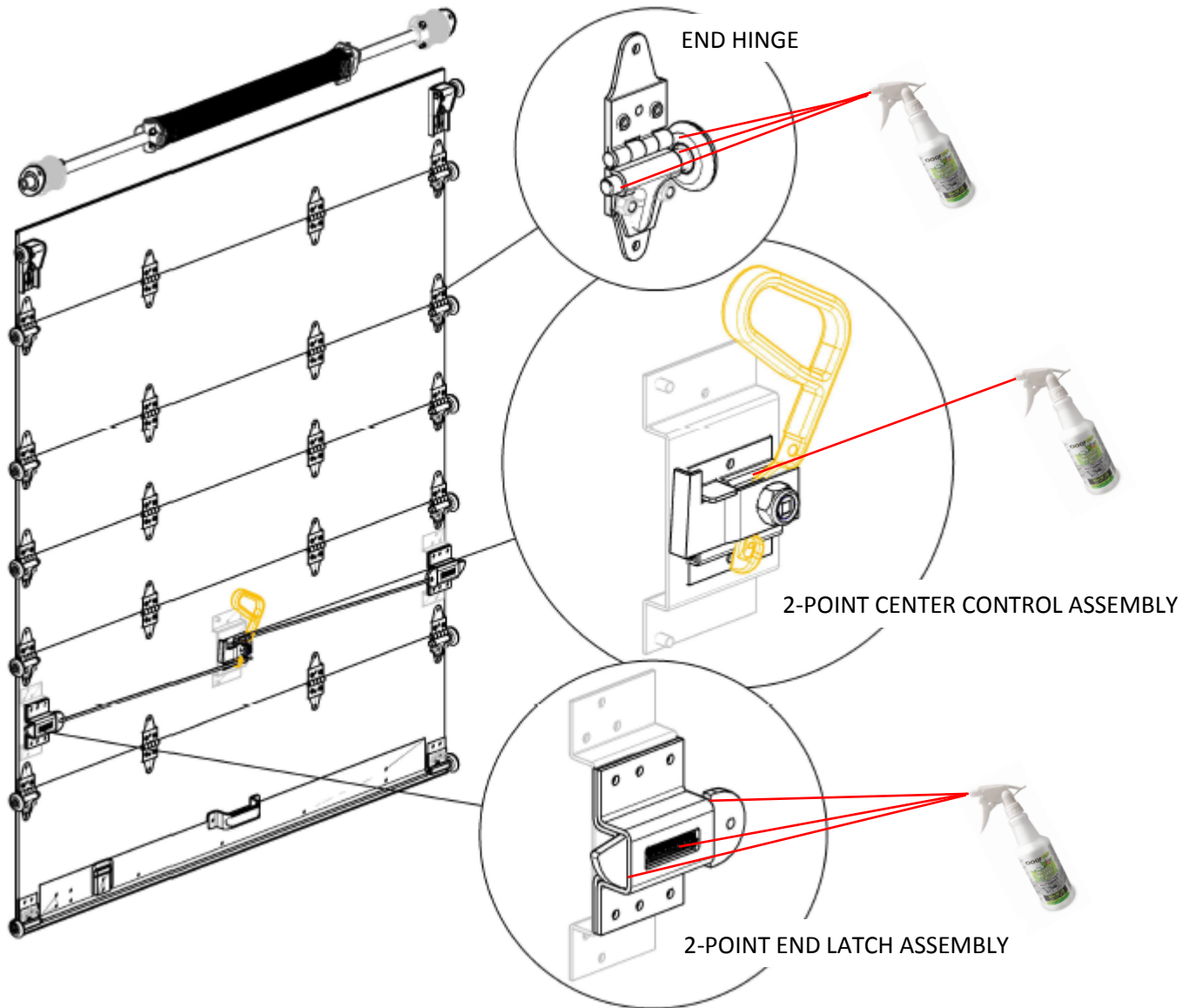
Long lasting, non-toxic, non-static, non-staining, non-conductive, contains no petroleum distillates, no silicones, no acids, no carcinogens, no halogens and no allergens. Will not dry out, or wash off with water. Will not damage plastics, paints, metals, fiberglass, enamels, or neoprene seals. No petroleum smell.  
H- Registered for Food Processing Areas.

### USES

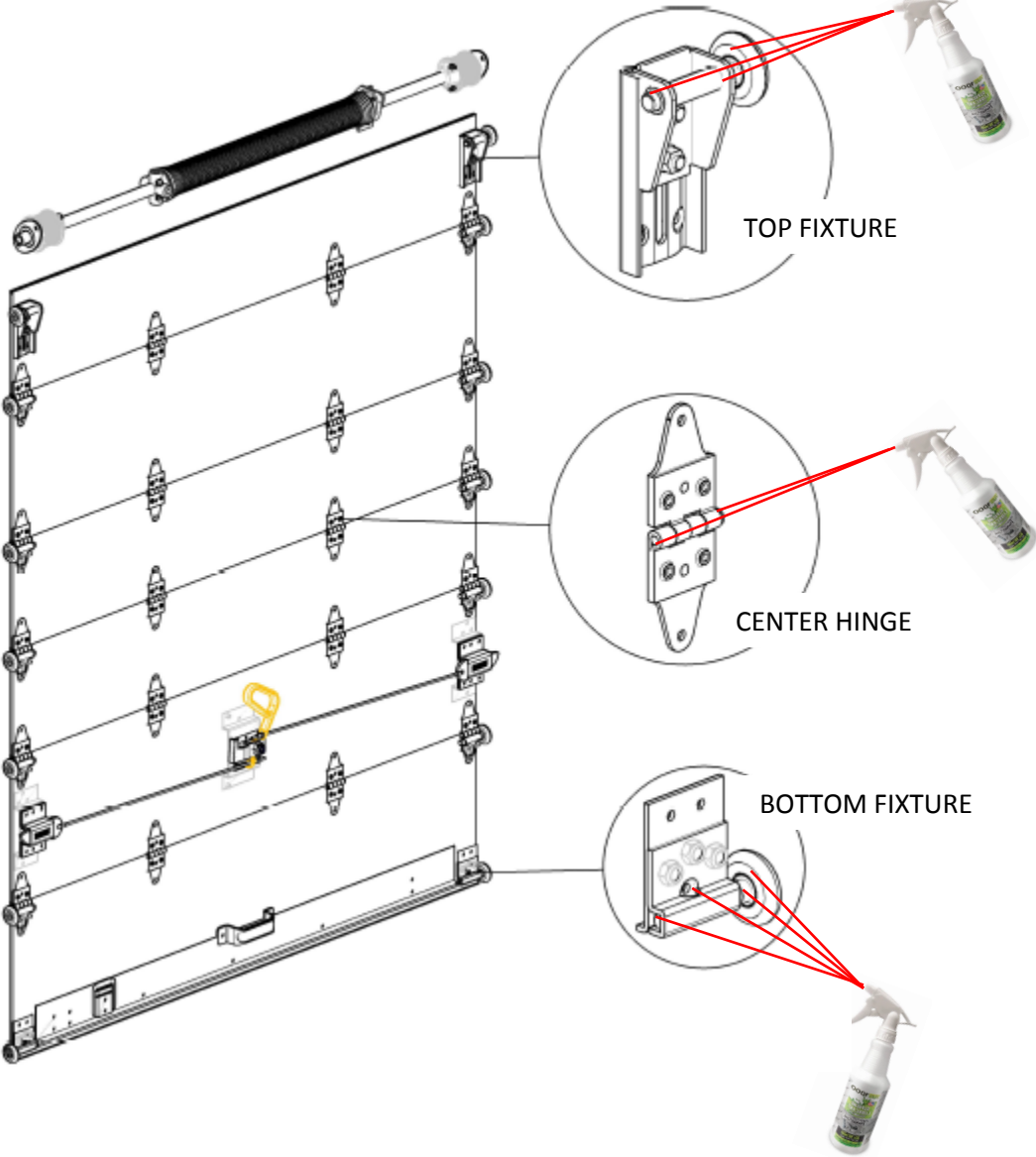
Lubricate and protect locks, hinges, rollers, air tools, roll-up doors, lift gates, springs, chains, and bearings. Cutting oil for drilling and tapping. Penetrates and neutralizes rust on nuts, bolts, screws, equipment and motors. Cleans corrosion and oxidation off battery terminals and metals.



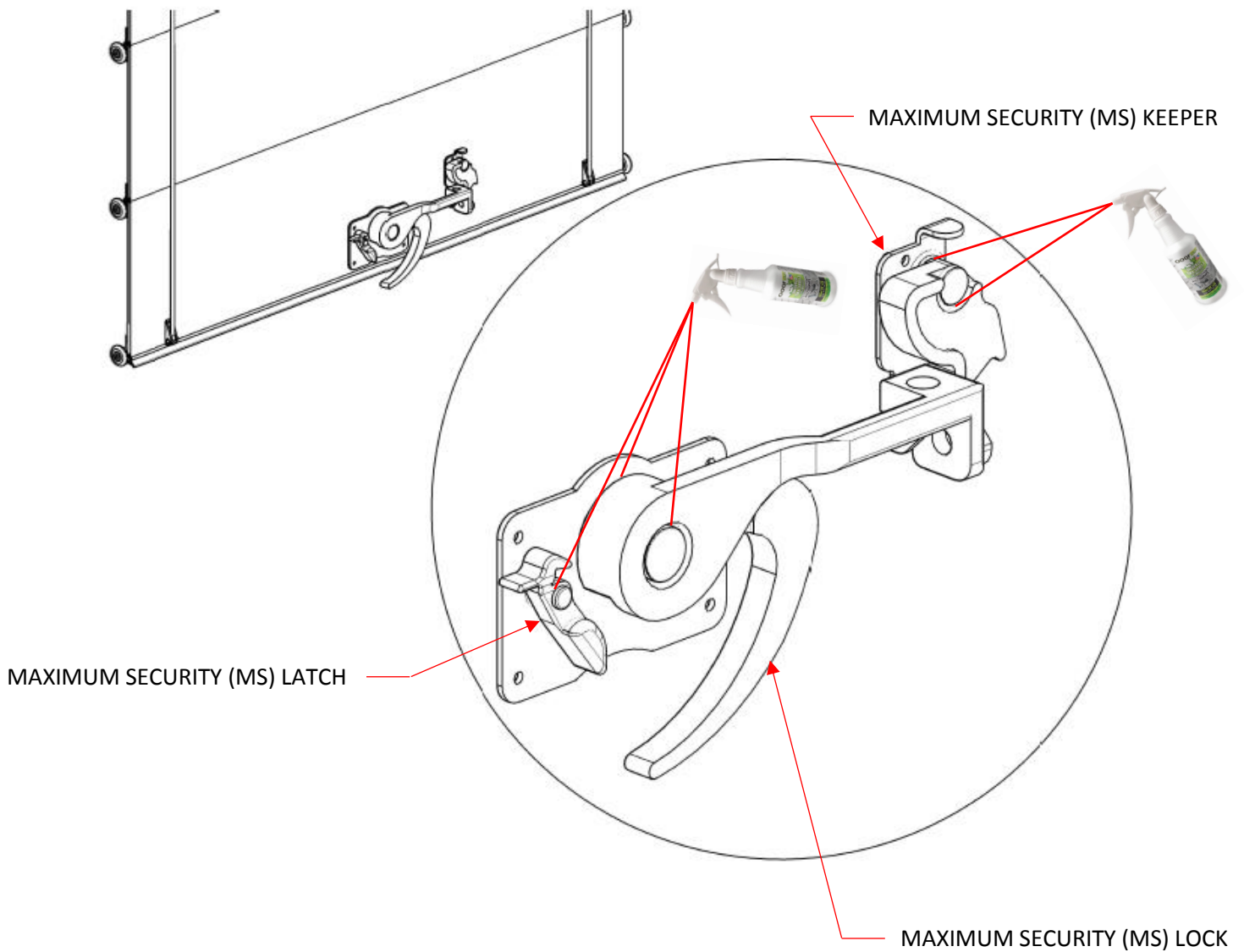
## LUBRICATION OF END HINGES, 2-POINT CENTER CONTROL & END LATCHES



**LUBRICATION OF TOP FIXTURE, CENTER HINGE & BOTTOM FIXTURE**



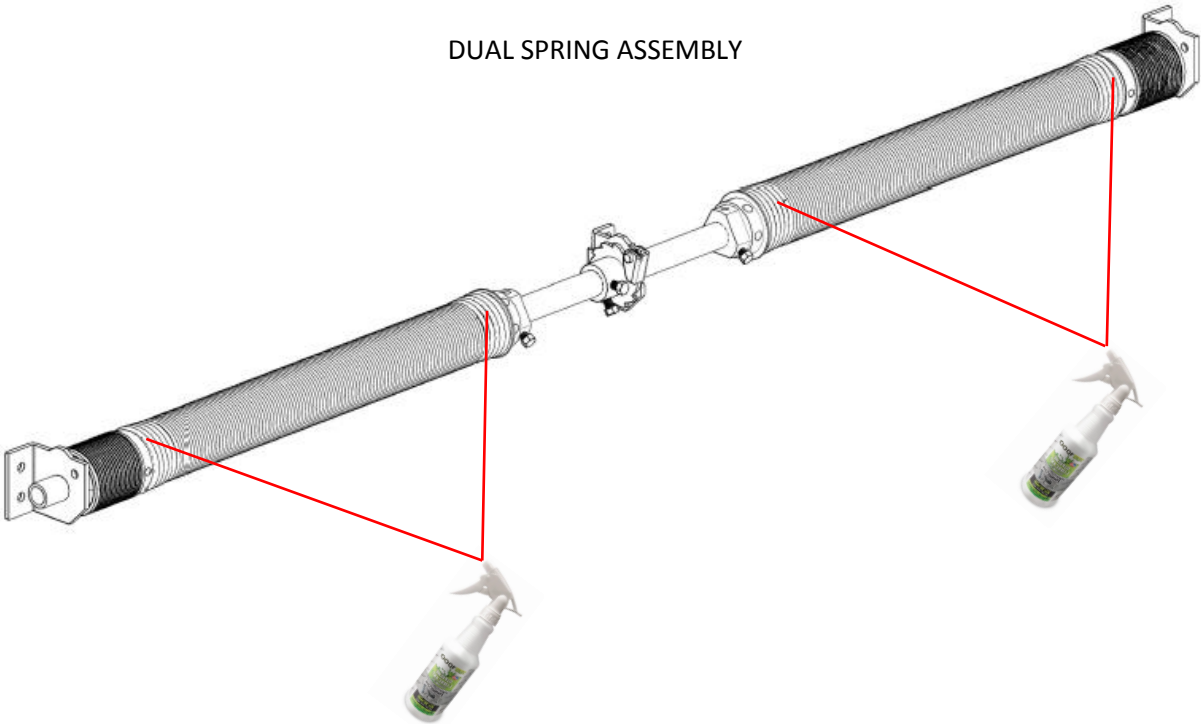
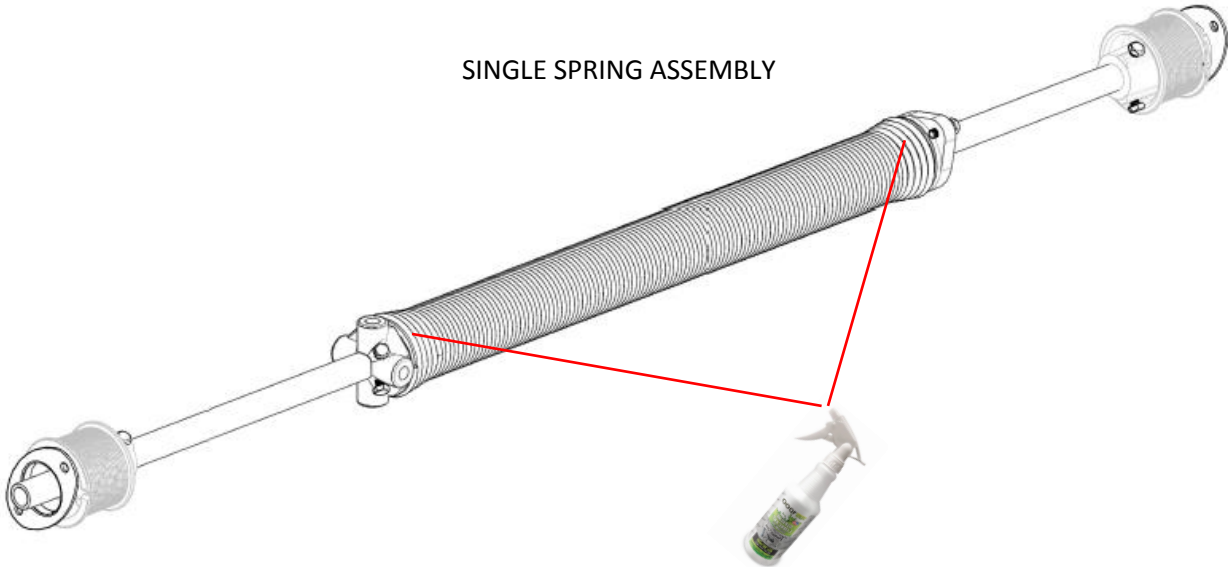
## LUBRICATION OF MAXIMUM SECURITY (MS) LOCK AND KEEPER



**LUBRICATION OF SINGLE AND DUAL SPRING ASSEMBLIES**

**NOTICE**

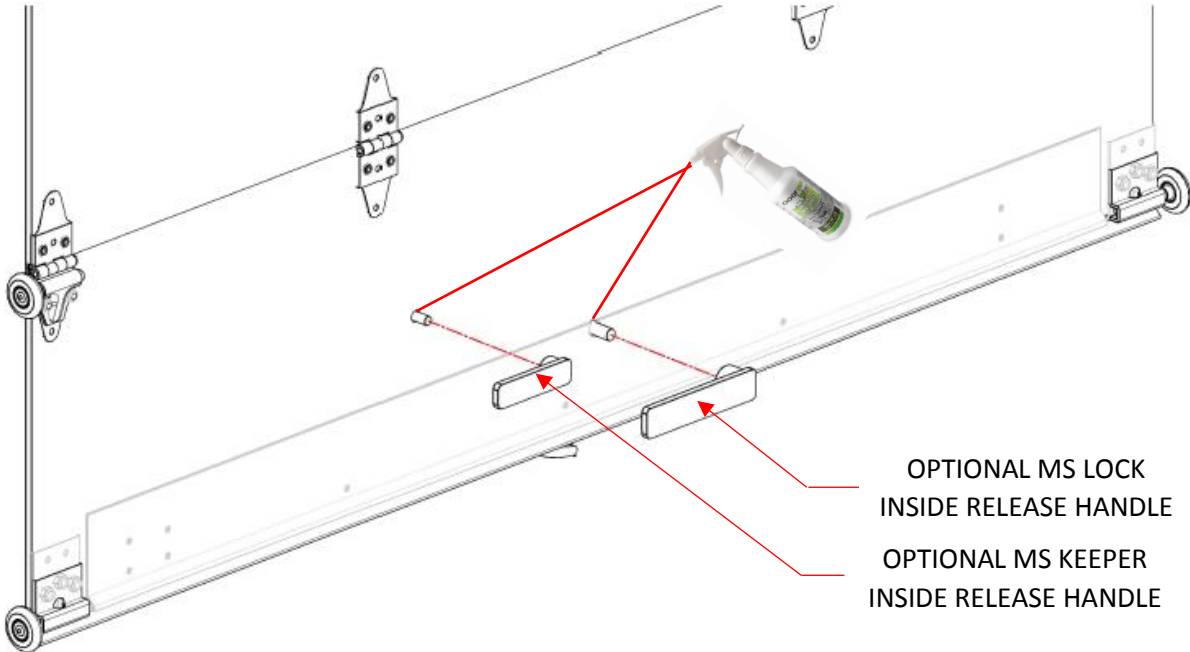
On single and dual spring assemblies – lubricate spring(s) along their entire length to prevent rusting.



**LUBRICATION OPTIONAL MS LOCK INSIDE RELEASE**

**NOTICE**

Remove inside release handles to lubricate the maximum security (MS) lock and keeper for inside release handles.



# NOTICE

## DOOR OPERATION – PLEASE INSPECT THE FOLLOWING:

1. Check to see if the door lock operates easily and latches tight, compressing the bottom seal.
2. Check to see if the door operates freely (up and down) with side play between the tracks and door approximately ¼" to 3/8".
3. Check for loose fasteners or other components.
4. Are the spacer washers installed at the 1<sup>st</sup> Intermediate hinge and the last intermediate hinge on both sides? (4 required per roller by door design, but NO less than 3 per roller to keep the door from contacting the track). (See Figure 1).
5. Are the side seals installed in a manner that the seal uniformly contacts the door but doesn't bind or impede the door operation?
6. Inspect Roll-up Door Side Seals for wear/damage and replace if needed.
7. Does the top seal contact the header at the ends well as the middle while keeping the top panel in a vertical position? (See Figure 2).
8. Inspect Roll-up Door Top Seals for wear/damage and replace if needed.
9. Inspect Roll-up Door Pull Strap for fraying or wear damage and replace if needed. (See Figure 3).
10. On Roll-up Doors with 2-point latch system, Inspect Door Latch Cables for fraying or wear damage and replace if needed.

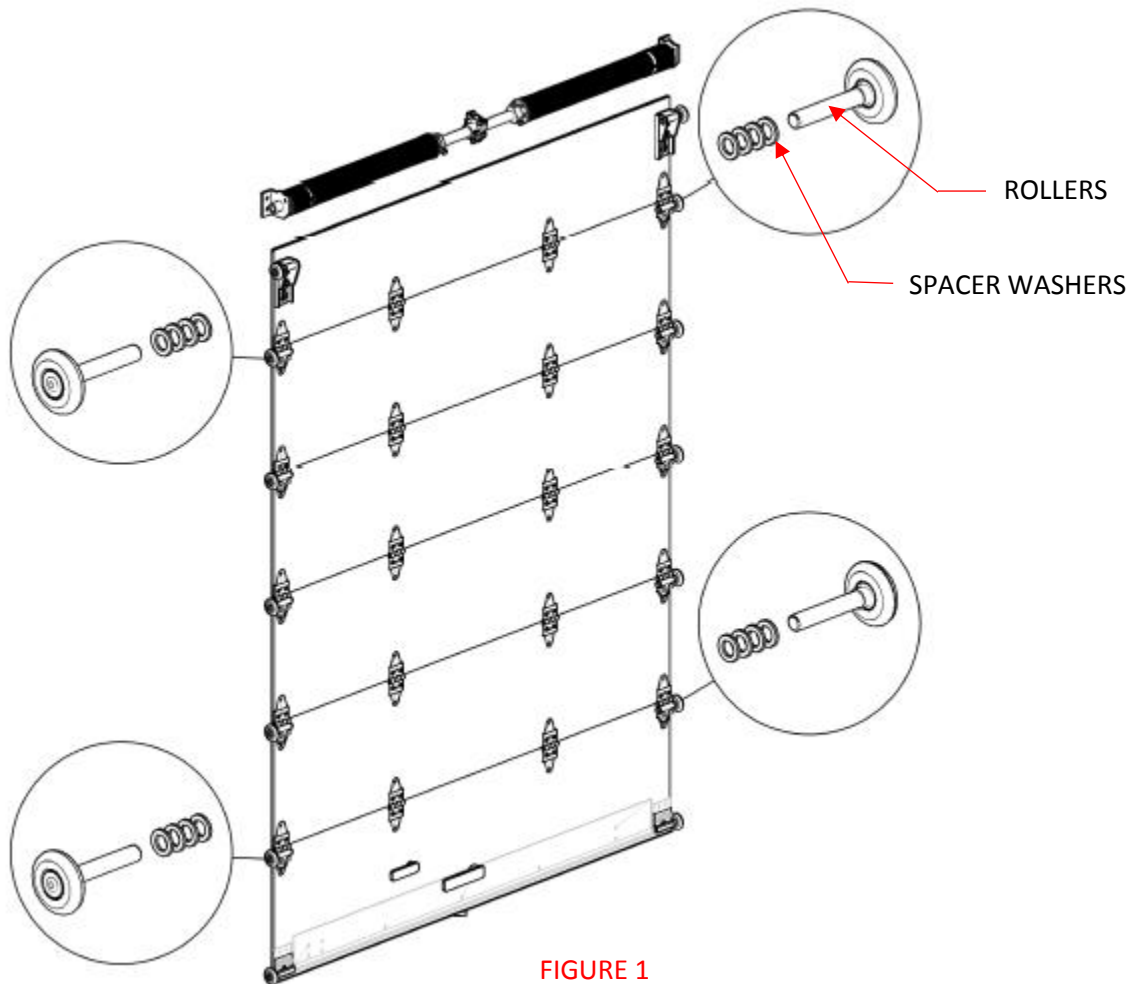


FIGURE 1



# NOTICE

Loosen the two 5/16" nuts on both top fixture assemblies, adjust the top fixture slides until the top door panel is in the same plane as the rest of the door panels and retighten 5/16" nuts.

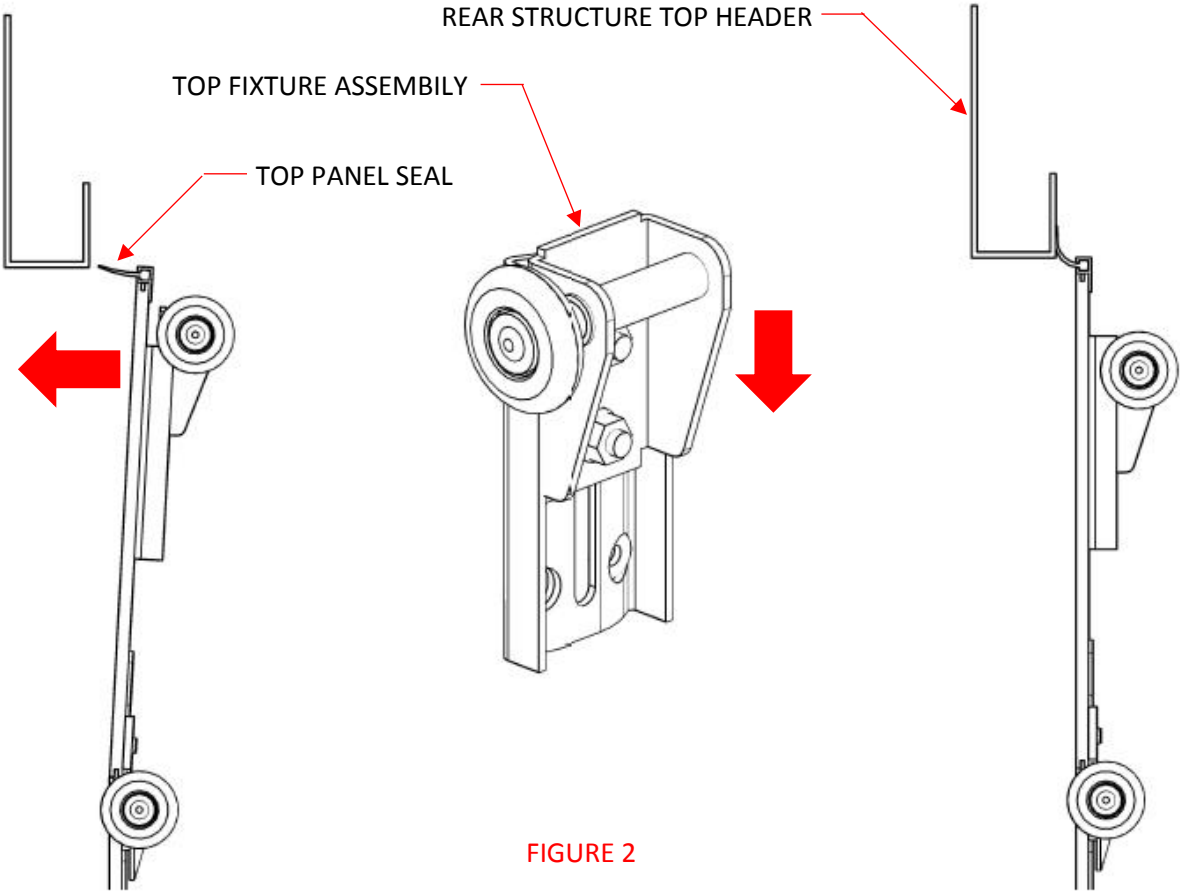
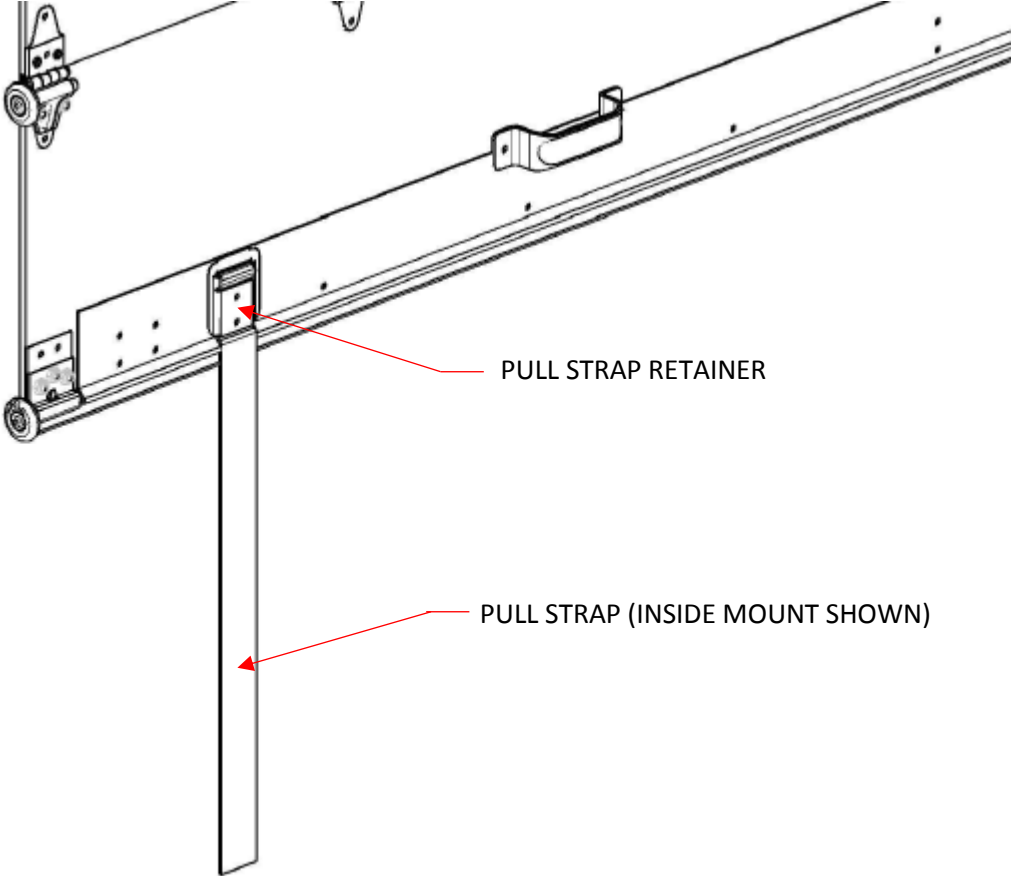


FIGURE 2

VIEW OF INCORRECT  
TOP PANEL SEAL  
CONTACT TO HEADER

VIEW OF CORRECT  
TOP PANEL SEAL  
CONTACT TO HEADER

**PULL STRAP**



**FIGURE 3**

**⚠ CAUTION**

Failure to replace worn or frayed door pull strap may result in injury.

# NOTICE

## SPRING BALANCER – PLEASE INSPECT THE FOLLOWING:

**Note:** All spring systems are designed to assist in the operation of opening and closing the door. The door should never free fall or fly open buy itself. All spring systems are designed for both cables to have uniform pull so the door doesn't pull to one side or the other.

1. Does the door "balance" (neither rise nor fall) without assistance?
2. Are the cables (door in open position) nearly vertical from the cable anchor bracket to the cable drum? The cables should NOT skip grooves or travel over another cable on the drum.
3. Inspect Roll-up Door Cables for fraying or wear damage and replace if needed. (See Figure 4).
4. Inspect Cotter Pins and Cable Anchor Bracket Pins for wear damage and replace if needed. (See Figure 4).

## SINGLE SPRING – PLEASE INSPECT THE FOLLWING:

1. Are the cable drums tight against the counterbalance shaft bearings, the set screws properly tightened, and both cables are tight and have equal tension? (See Figure 5).

## DUAL SPRING – PLEASE INSPECT THE FOLLWING:

1. Are both springs wound to the same number of turns?

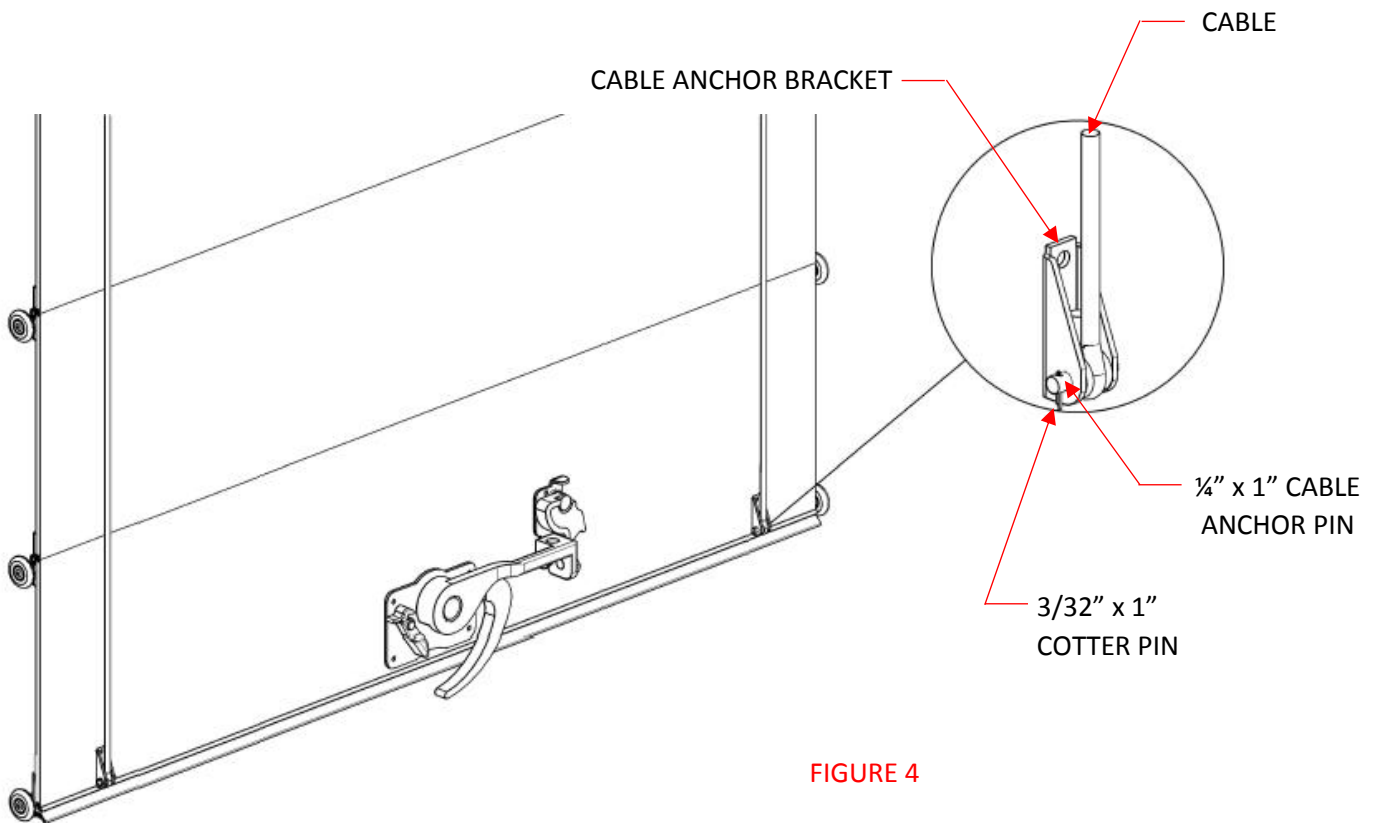


FIGURE 4

# NOTICE

Cable drums need to be tight against counterbalance shaft bearing assemblies on both sides.

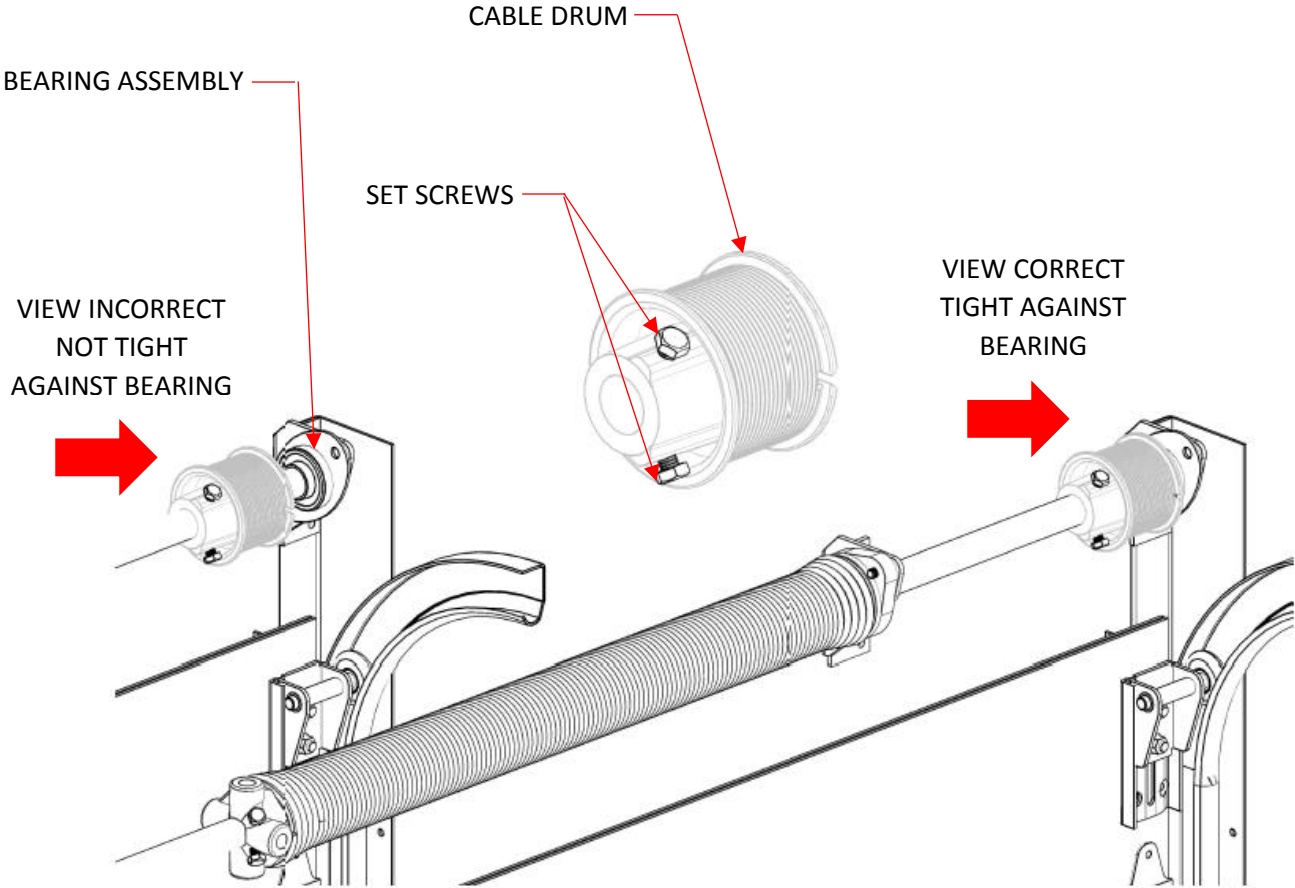


FIGURE 5

## LOCATIONS OF TRANSGLOBAL'S SERIAL NUMBER PLATES

# NOTICE

Transglobal has (2) location. Outside mount / bottom panel / RS (Standard) and inside mount / top panel / RS.

When ordering parts for roll-up door, specify the serial number of the door.

