

# *Purolator*

We deliver Canada

## 2021 Parts Catalog



Ford E-450 & F-59 Chassis

2021 Morgan Olson Body



1.800.233.4823  
WWW.MORGANOLSON.COM



TABLE OF CONTENTS	2
INTRODUCTION	3
CAB - ENGINE BOX - WINDSHIELD E-450	4-5
CAB - ENGINE BOX - WINDSHIELD F-59	6-7
STEPS - ENGINE BOX INSULATION E-450	8-9
STEPS - ENGINE BOX INSULATION F-59	10-11
HEATER - DEFROSTER	12-13
HOOD E-450	14-15
HOOD F-59	16-17
INSTRUMENT PANEL E-450	18
INSTRUMENT PANEL F-59	19
SPLASH PANS	20
SEATS	21
FLOOR	22-23
SIDES	24-25
ROOF - BACK	26-27
SIDE DOOR - SIDE DOOR POCKET	28-29
ROLL UP WINDOW	30-31
BULKHEAD	32-33
ROLL UP DOOR - PART NUMBER 47005936	34-39
SHELVING / CARGO CONTROL FOLDING	40-41
SHELVING / CARGO CONTROL FIXED	42-43
BUMPERS 86W	44
KEY-LESS SYSTEMS	45
MIRRORS & WIPER ASSEMBLY	46-47
WIPER SYSTEM LOW MOUNT	48-49
MISCELLANEOUS	50-51
ELECTRICAL	52-53
WALK-IN VAN COMMON FASTENERS	54-58
WIRING HARNESS	59
WIRING DIAGRAMS	60-96

This parts catalog applies to Morgan Olson Walk-In Vans for Purolator 2021 on FORD E-450 & F-59 Chassis				
Unit #s	21621102 thru 21621761	Bill of Material#	JV003473	16' E-450 English Decals
Unit #s	21621373 thru 21621610	Bill of Material#	JV003518	16' E-450 French Decals
Unit #s	21821762 and 21821763	Bill of Material#	JV003474	18' F-59 English Decals

**How to order parts from Morgan Olson.**

The first step is to locate the part numbers you would like to order.

**Method 1 (Recommended)**

Go to our parts web site, [WWW.MORGANOLSONPARTS.COM](http://WWW.MORGANOLSONPARTS.COM) and search your vehicle VIN number to get a list of parts generated directly from your vehicles Bill of Material.

You can filter the list of items further by selecting a category for the location of the parts. IE. Bumper, Hood, Glass, Rear Door, etc.

You may change the search drop down menu to search by part number, description, unit number or VMRS number.

**Method 2**

Use this parts catalog to identify your part numbers.

Then go to [WWW.MORGANOLSONPARTS.COM](http://WWW.MORGANOLSONPARTS.COM) and search by part number to add the items to your shopping cart.

**Method 3**

Call our Parts Department at 1-800-233-4823.

Please have your VIN number available and one of our customer service representatives will be able to help you identify the parts you need.

\*If you already know the part numbers of the items you want to order, use our Quick Order page to enter your part numbers and quantities, then click add to cart. [WWW.MORGANOLSONPARTS.COM/QUICK-ORDER](http://WWW.MORGANOLSONPARTS.COM/QUICK-ORDER)

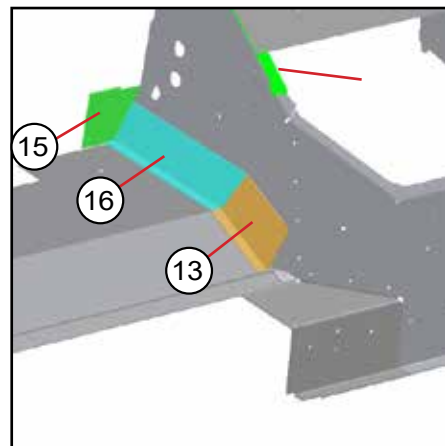
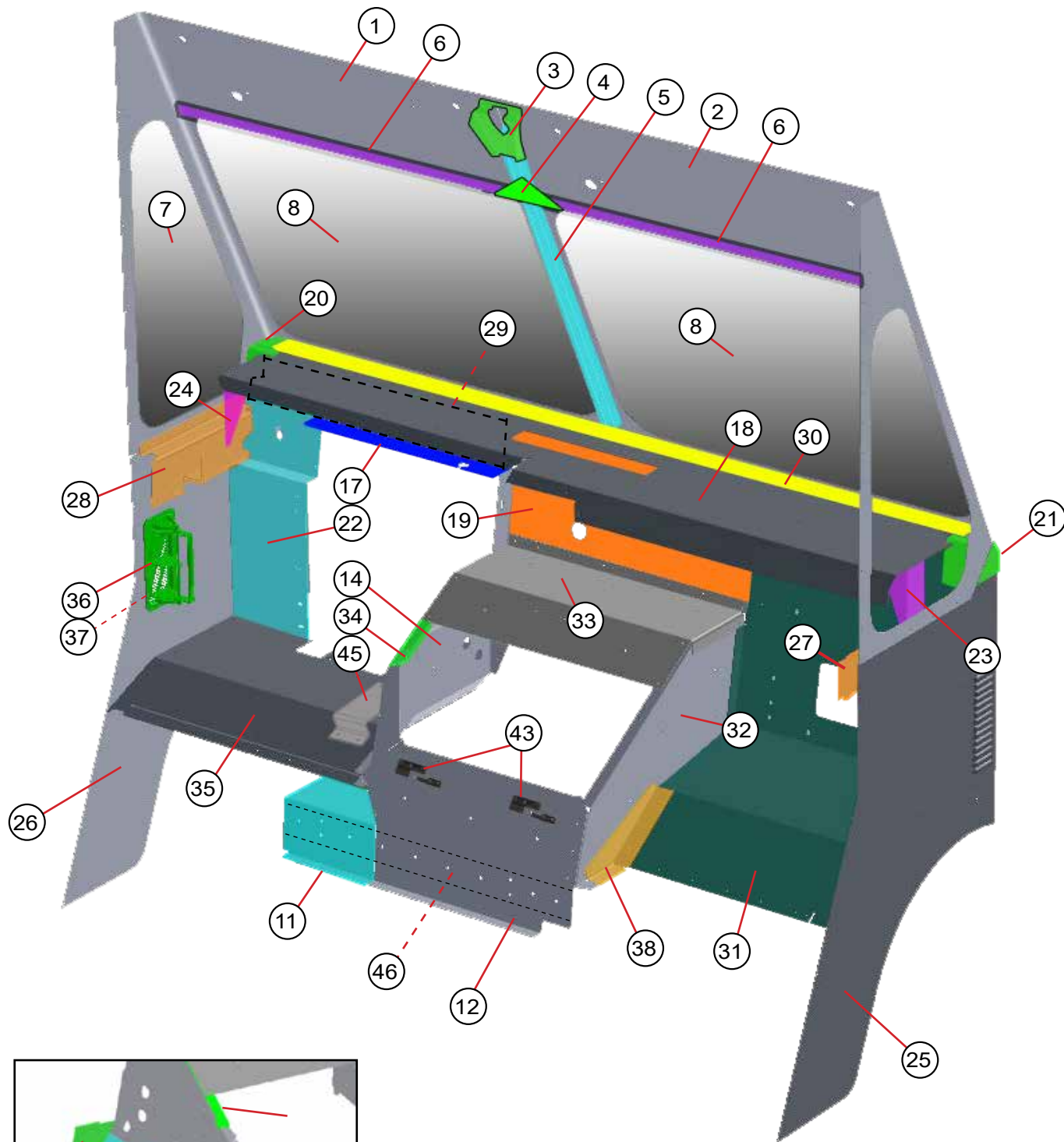
Note\* Orientation is always from the rear of the vehicle looking forward.

Roadside = Left Hand LH

Curbside = Right Hand RH

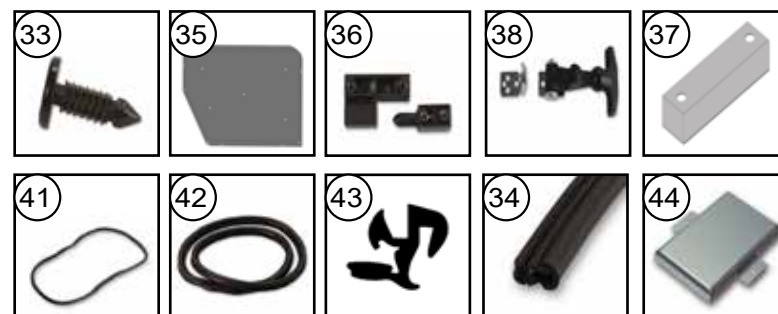
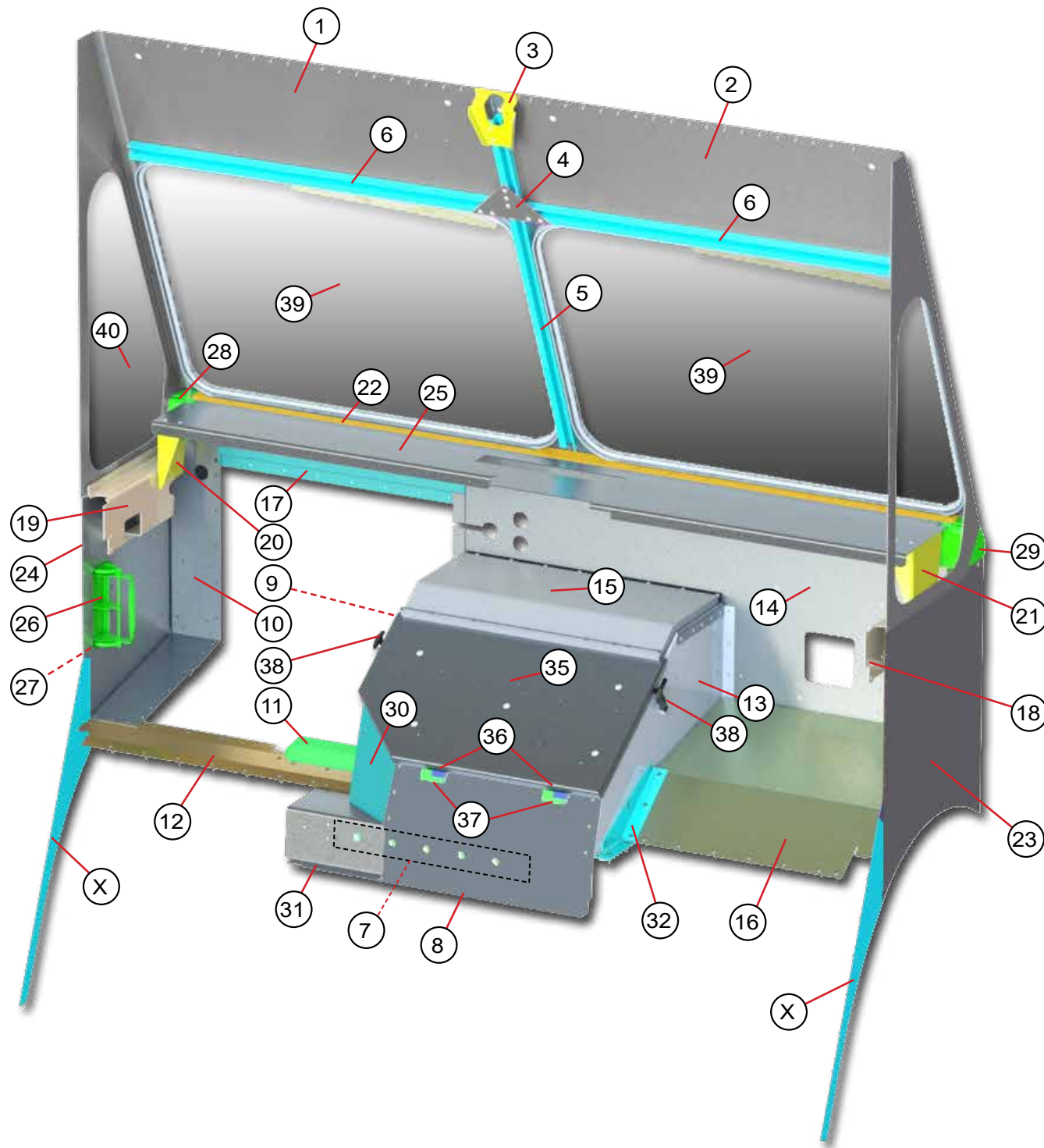
For warranty information, please call 1-800-262-3437

Purolator 2021 E-450 & F-59 JV003473, JV003474 & JV003518



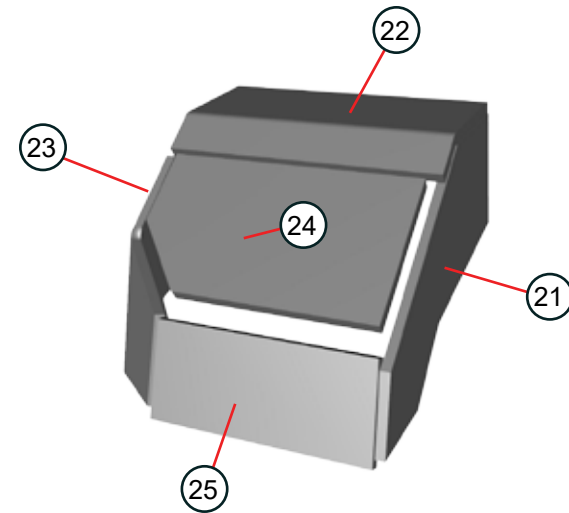
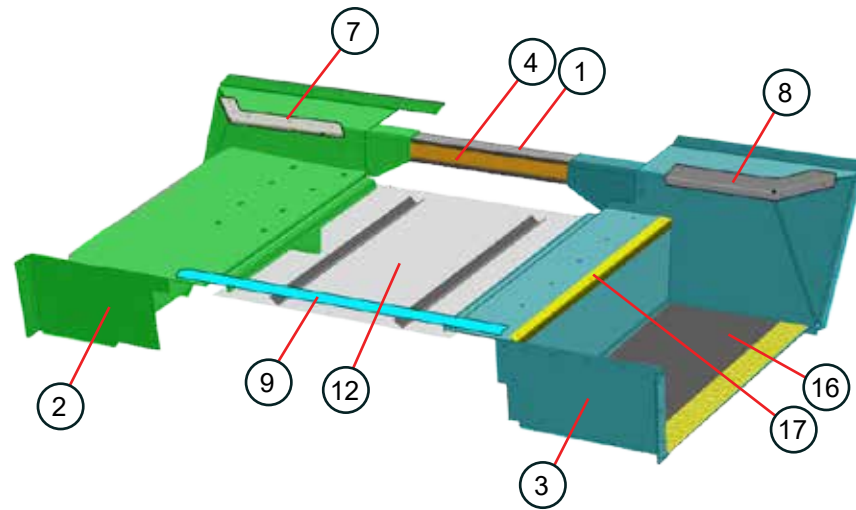
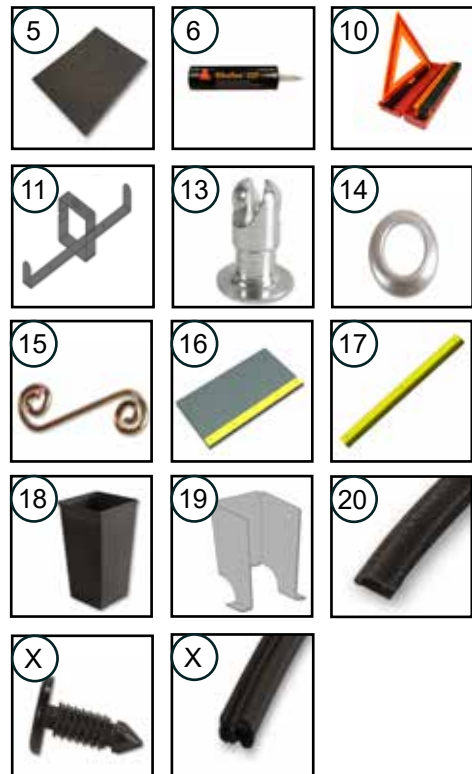
ITEM #	PART #	DESCRIPTION	QTY.	UNIT
1	207055403	FRAME W/S AL .102X49.72X69.8 LH	1	EA
2	207055404	FRAME W/S AL .102X49.72X70.07 RH	1	EA
3	<a href="#">077055402</a>	GUSSET FRAME W/S AL .125X6.49X7.27	1	EA
4	<a href="#">998555329</a>	GUSSET FRAME W/S AL .125X4.6X9.19	1	EA
5	<a href="#">077055400</a>	POST W/S CENTER AL 450540X40	1	EA
6	<a href="#">077055404</a>	STIFFENER W/S AL 450540X44.25	2	EA
7	<a href="#">083056401</a>	GLASS SIDE TRI ANGLE	2	EA
8	<a href="#">96756400</a>	GLASS W/S FRONT 31.29X44.04	2	EA
9	<a href="#">44004303</a>	WEATHERSTRIP FRONT X147.5	2	EA
10	<a href="#">44004305</a>	WEATHERSTRIP SIDE X85.5	2	EA
11	<a href="#">155005416</a>	FILLER ENGINE BOX SADDLE AL .102X12.8X13.78	1	EA
12	<a href="#">155005411</a>	ENGINE BOX SADDLE AL .102X15.61X23.8	1	EA
13	<a href="#">155005419</a>	ENGINE BOX ADAPTOR REAR AL .102X4.72X9.82	1	EA
14	<a href="#">205005408</a>	ENGINE BOX PANEL AL .102X19.94X29.41 LH	1	EA
15	<a href="#">115005452</a>	CLOSER CAB AL .07X5.05X6.6	1	EA
16	<a href="#">115005450</a>	ADAPTOR ENGINE BOX AL.102X4.59X13.14	1	EA
17	<a href="#">155005409</a>	UPPER DASH WALL AL .125X4.57X23.75 LH	1	EA
18	<a href="#">125027406</a>	SHELF DASH AL .102X13.77X89	1	EA
19	<a href="#">165005410</a>	DASH WALL CENTER AL .102X14.85X31.69	1	EA
20	<a href="#">8502000</a>	CORNER CASTING AL LH	1	EA
21	<a href="#">8502001</a>	CORNER CASTING AL RH	1	EA
22	<a href="#">095005435</a>	DASH WALL OUTER AL .102X13.64X28.36	1	EA
23	215005400	SUPPORT RAIL W/S AL .102X5.83X8.49 RH	1	EA
24	<a href="#">083005418</a>	SUPPORT RAIL W/S AL .102X5.83X8.49 LH	1	EA
25	<a href="#">207005402</a>	CAB SKIRT AL .07X40.6X45.91 RH	1	EA
26	<a href="#">095005444</a>	CAB SKIRT AL .07X40.60X45.91 LH	1	EA
27	<a href="#">157005402</a>	STIFFENER W/S AL .125X12.07X17.69 RH	1	EA
28	<a href="#">083005521</a>	STIFFENER W/S AL .125X10.93X17.81 LH	1	EA
29	<a href="#">095005431</a>	DASH WALL UPPER AL.102X7.36X36.26 LH	1	EA
30	205005415	RAIL W/S AL 851100X89 93W	1	EA
31	<a href="#">175005402</a>	TOEBOARD AL .125X32.88X47.75 RH	1	EA
32	<a href="#">155005418</a>	ENGINE BOX PANEL AL .125X21.52X29.91 RH	1	EA
33	<a href="#">095005437</a>	ENGINE BOX TOP AL .102X15.66X30.49	1	EA
34	<a href="#">155005415</a>	ENGINE BOX UPPER PANEL AL .102X2.59X11.82	1	EA
35	<a href="#">115005453</a>	TOEBOARD AL .125X21.01X36.54 LH	1	EA
36	<a href="#">47008545</a>	VENT AL 2 WAY HINGELESS	1	EA
37	<a href="#">47008548</a>	GASKET FOR VENT #47008545	1	EA
38	<a href="#">077050406</a>	GUSSET TOEBOARD AL .125X5.23X14.88 RH	1	EA
39	<a href="#">1107270</a>	SEAL - EDGE TRIM	8	FT
40	<a href="#">47006630</a>	CLIP PLASTIC ROUND HEAD 1.32-1.34	17	EA
41	<a href="#">105028400</a>	LID ENGINE BOX AL .102X18.6X32.44	1	EA
42	<a href="#">117028400</a>	SHIM ENGINE BOX LID	2	EA
43	<a href="#">47007859</a>	HINGE OFFSET @ ENGINE BOX LID	2	EA
44	<a href="#">1113336</a>	LATCH ENGINE BOX	2	EA
45	<a href="#">155005420</a>	HEEL REST - SCUFF PLATE	1	EA
46	<a href="#">077050402</a>	SHIM AL .25X1.63X20.8	1	EA





ITEM #	PART #	DESCRIPTION	QTY.	UNIT
1	207055403	FRAME W/S AL .102X49.72X69.8 LH	1	EA
2	207055404	FRAME W/S AL .102X49.72X70.07 RH	1	EA
3	<a href="#">077055402</a>	GUSSET FRAME W/S AL .125X6.49X7.27	1	EA
4	<a href="#">998555329</a>	GUSSET FRAME W/S AL .125X4.6X9.19	1	EA
5	<a href="#">077055400</a>	POST W/S CENTER AL 450540X40	1	EA
6	<a href="#">077055404</a>	STIFFENER W/S AL 450540X44.25	2	EA
7	<a href="#">077050402</a>	SHIM AL .25X1.63X20.8	1	EA
8	<a href="#">115005404</a>	PLATE SADDLE AL .125X15.74X24.07	1	EA
9	<a href="#">115005403</a>	ENGINE BOX SIDE LH AL .102X19.26X27.88	1	EA
10	195005418	ADAPTOR TOEBOARD AL .102X7.24X45.61	1	EA
11	195005410	CASTING TRANSITION F59	1	EA
12	205005400	TOEBOARD AL .125X6.76X34.53 LH	1	EA
13	<a href="#">098005501</a>	ENGINE BOX HOUSING AL .102X20.85X32.55 RH	1	EA
14	217005400	DASH WALL AL .125X25.89X60.38	1	EA
15	<a href="#">115005402</a>	ENGINE BOX TOP AL .125X15.88X33.04	1	EA
16	<a href="#">177005408</a>	TOEBOARD AL .102X28.08X29.44 RH	1	EA
17	<a href="#">115005401</a>	DASH PANEL DRIVER ISLAND AL .125X8.46X30.45	1	EA
18	175005405	STIFFENER W/S AL .125X12.33X17.69 RH	1	EA
19	<a href="#">083005521</a>	STIFFENER W/S AL .125X12.62X17.81 LH	1	EA
20	<a href="#">177005411</a>	SUPPORT RAIL W/S AL .102X8.26X9.65 LH	1	EA
21	<a href="#">177005412</a>	SUPPORT RAIL W/S AL .102X8.26X9.65 RH	1	EA
22	205005415	RAIL W/S 93W AL 851100X89	1	EA
23	<a href="#">115005417</a>	CAB SKIRT AL .07X27.29X30.57 LH	1	EA
24	205005410	CAB SKIRT AL .07X27.28X30.57 RH	1	EA
25	<a href="#">093005512</a>	SHELF DASH AL .125X13.74X89	1	EA
26	<a href="#">47008545</a>	VENT AL 2WAY HINGELESS	1	EA
27	<a href="#">47008548</a>	GASKET FOR VENT #47008545	1	EA
28	<a href="#">8502000</a>	CORNER CASTING AL W/S LH	1	EA
29	<a href="#">8502001</a>	CORNER CASTING AL W/S RH	1	EA
30	<a href="#">115005408</a>	SADDLE FILLER LOWER AL .125X9.6X13.06	1	EA
31	<a href="#">115005409</a>	SADDLE FILLER LOWER AL .125X11.67X14.51	1	EA
32	<a href="#">077050406</a>	GUSSET TOEBOARD AL .125X5.23X14.88 RH	1	EA
33	<a href="#">47006630</a>	CLIP PLASTIC ROUND HEAD 1.32-1.34	15	EA
34	<a href="#">1107270</a>	SEAL TRIM QUICK EDGE - ENGINE BOX	8	FT
35	<a href="#">175028400</a>	LID ENGINE BOX AL .102X20.18X32.87	1	EA
36	<a href="#">47007859</a>	HINGE OFFSET	2	EA
37	<a href="#">117028400</a>	SHIM ENGINE BOX	2	EA
38	<a href="#">1113336</a>	LATCH ENGINE BOX	2	EA
39	<a href="#">96756400</a>	GLASS WINDSHIELD	2	EA
40	<a href="#">006756400</a>	GLASS SIDE WINDOW TRIANGLE	2	EA
41	<a href="#">44004303</a>	WEATHER STRIP WINDSHIELD X147.5	2	EA
42	<a href="#">44004309</a>	WEATHER STRIP SIDE WINDOW X86.25	2	EA
43	N/A	WEATHER STRIP PROFILE VIEW	-	-
44	217005401	CAB COVER - LOWER WIPER F-59 ONLY	1	EA

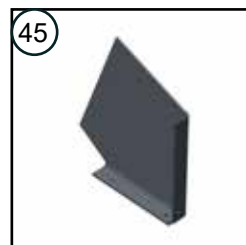
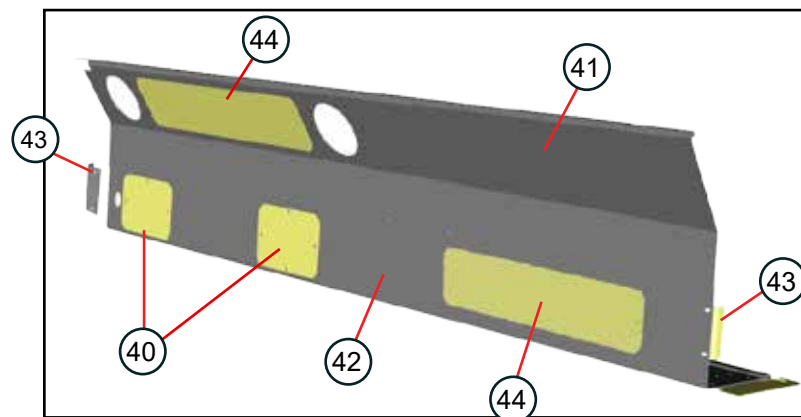
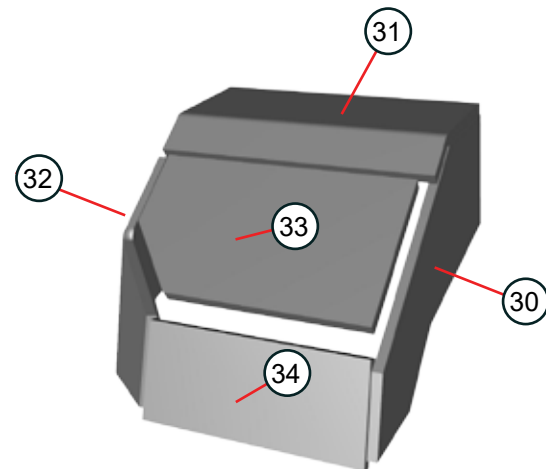
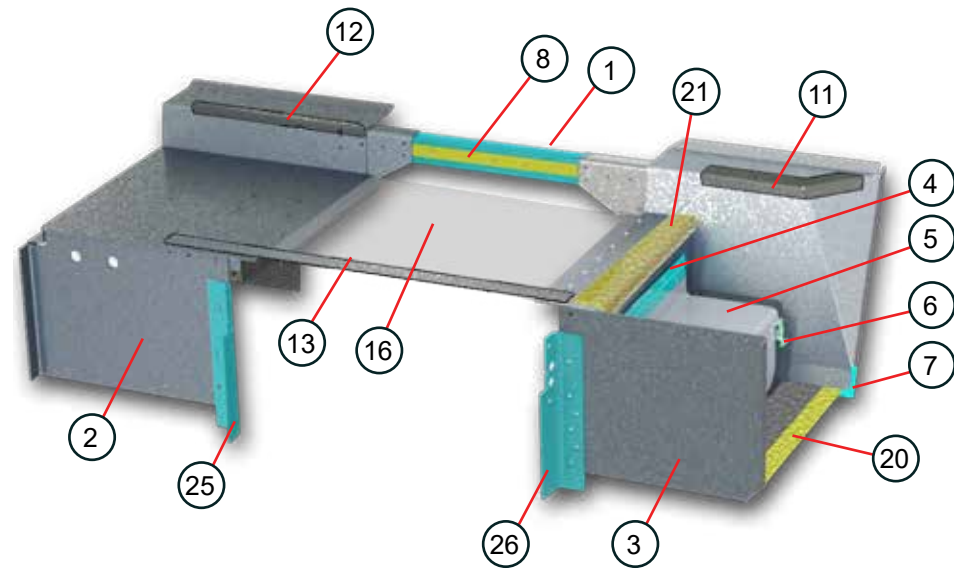




ITEM #	PART #	DESCRIPTION	QTY.	UNIT
1	<a href="#">077240400</a>	CROSSMEMBER CENTER AL 456106X41	1	EA
2	<a href="#">105024207</a>	STEP ASSEMBLY WELDMENT ROADSIDE 93W E-450	1	EA
3	<a href="#">095024242</a>	STEP ASSEMBLY WELDMENT CURBSIDE 93W E-450	1	EA
4	<a href="#">077050402</a>	SHIM AL .25X1.62X20.8	1	EA
5	<a href="#">42002059</a>	PAD RUBBER RIBBED 54X96	1	EA
6	<a href="#">41002103</a>	SEALANT / ADHESIVE	2	EA
7	<a href="#">095019437</a>	TRIM TOEBOARD ALD .08X7.54X23.87 RH E-450	1	EA
8	<a href="#">175019403</a>	TRIM TOEBOARD ALD .08X2.77X35.31 LH E-450	1	EA
9	<a href="#">148019403</a>	TRIM @ O-LINE ALD .08X2.29X63.66 E-450	1	EA
10	<a href="#">47009547</a>	SAFETY KIT 3 TRIANGLES IN STORAGE BOX	1	EA
11	<a href="#">47009548</a>	BRACKET MOUNTING TRIANGLE KIT	1	EA
12	<a href="#">115024207</a>	TRANSVERSE FLOOR PLATE WELDMENT E-450	1	EA
13	<a href="#">40900080</a>	STUD	7	EA
14	<a href="#">40900081</a>	GROMMET HALF	7	EA
15	<a href="#">40900082</a>	SPRING	7	EA
16	<a href="#">45400803</a>	ANTI SLIP STEP TREAD FBG .125X13.84X25.13	1	EA
17	<a href="#">45400582</a>	ANTI SLIP STEP TREAD	1	EA
18	<a href="#">45200051</a>	TRASH RECEPTICLE	1	EA
19	<a href="#">05M078011</a>	SUPPORT RECEPTICLE AL .125X19.89X24.7	1	EA
20	<a href="#">1129005</a>	TRIM QUICK EDGE	7	FT

**ENGINE BOX INSULATION**

21	<a href="#">195005412</a>	INSULATION ENGINE BOX RH	1	EA
22	<a href="#">195005413</a>	INSULATION ENGINE BOX TOP	1	EA
23	<a href="#">195005414</a>	INSULATION ENGINE BOX LH	1	EA
24	<a href="#">195005415</a>	INSULATION ENGINE BOX LID	1	EA
25	<a href="#">195005416</a>	INSULATION ENGINE BOX SADDLE	1	EA
26	<a href="#">47006630</a>	CLIP PLASTIC ROUND HEAD	17	EA
27	<a href="#">1107270</a>	SEAL QUICK EDGE	8	FT



ITEM #	PART #	DESCRIPTION	QTY.	UNIT
1	<a href="#">077240400</a>	CROSSMEMBER CENTER AL 456106X41	1	EA
2	<a href="#">115024203</a>	STEP ASSEMBLY WELDMENT ROADSIDE 93W F59	1	EA
3	<a href="#">135024200</a>	STEP ASSEMBLY WELDMENT CURBSIDE 93W F59	1	EA
4	<a href="#">006324498</a>	HINGE F-59	1	EA
5	<a href="#">125024400</a>	LID - BATTERY COVER F-59	1	EA
6	<a href="#">1113334</a>	LATCH F-59	2	EA
7	<a href="#">084024415</a>	RISER - CORNER RH	1	EA
8	<a href="#">077050402</a>	SHIM AL .25X1.62X20.8	1	EA
9	<a href="#">42002059</a>	PAD RUBBER RIBBED 54X96	1	EA
10	<a href="#">41002103</a>	SEALANT / ADHESIVE	2	EA
11	<a href="#">090019401</a>	TRIM TOEBOARD ALD .08X7.89X22.32 RH F-59	1	EA
12	<a href="#">103019402</a>	TRIM TOEBOARD ALD .08X2.64X37.76 LH F-59	1	EA
13	<a href="#">083019413</a>	TRIM @ O-LINE ALD .08X2.29X63.66 F-59	1	EA
14	<a href="#">47009547</a>	SAFETY KIT 3 TRIANGLES IN STORAGE BOX	1	EA
15	<a href="#">47009548</a>	BRACKET MOUNTING TRIANGLE KIT	1	EA
16	<a href="#">105024209</a>	TRANSVERSE FLOOR PLATE WELDMENT F-59	1	EA
17	<a href="#">40900080</a>	STUD	7	EA
18	<a href="#">40900081</a>	GROMMET HALF	7	EA
19	<a href="#">40900082</a>	SPRING	7	EA
20	<a href="#">098137400</a>	PLATE STEP TREAD FBG ANTI SLIP	1	EA
21	<a href="#">45400582</a>	PLATE STEP FBG ANTI SLIP	1	EA
22	<a href="#">45200051</a>	TRASH RECEPTICLE	1	EA
23	<a href="#">05M078011</a>	SUPPORT RECEPTICLE AL .125X19.89X24.7	1	EA
24	<a href="#">1129005</a>	TRIM QUICK EDGE	7	FT
25	<a href="#">165024412</a>	ANGLE LH	1	EA
26	<a href="#">205024433</a>	ANGLE RH	1	EA

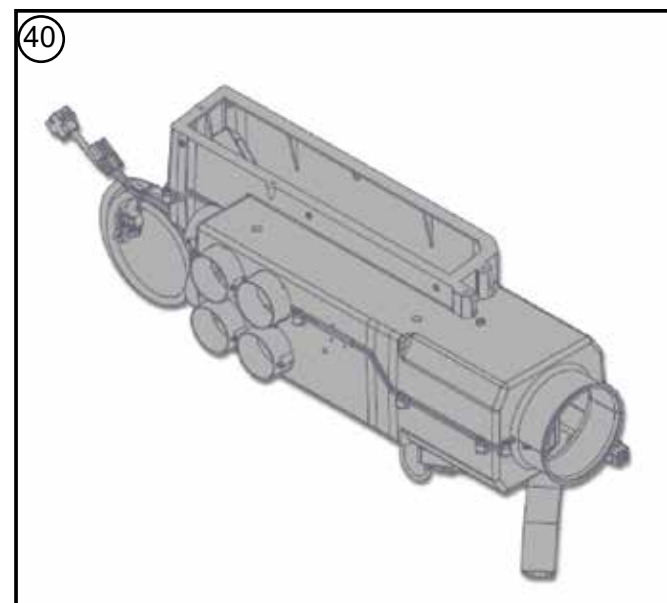
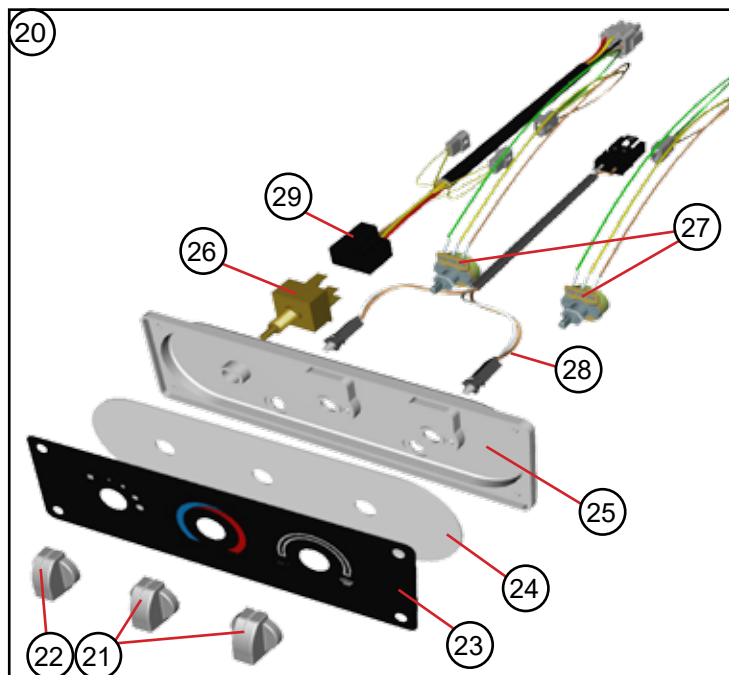
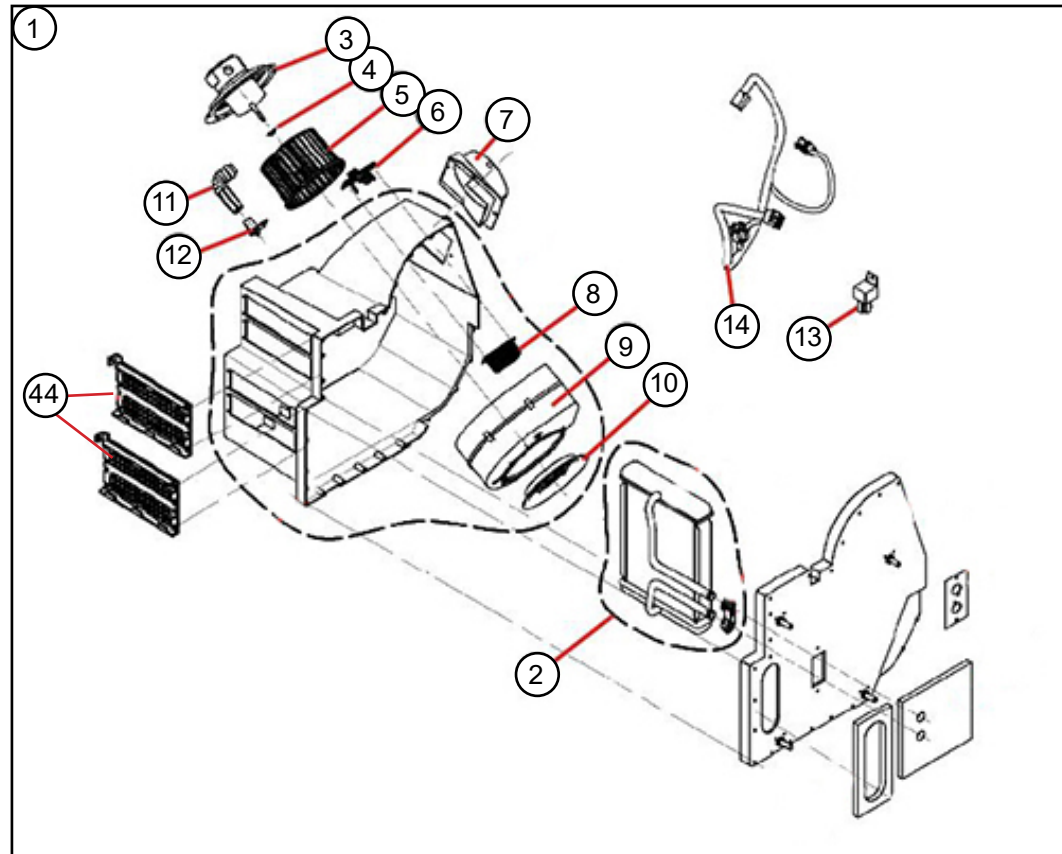
**ENGINE BOX INSULATION**

30	<a href="#">195005412</a>	INSULATION ENGINE BOX RH	1	EA
31	<a href="#">195005413</a>	INSULATION ENGINE BOX TOP	1	EA
32	<a href="#">195005414</a>	INSULATION ENGINE BOX LH	1	EA
33	<a href="#">195005415</a>	INSULATION ENGINE BOX LID	1	EA
34	<a href="#">195005416</a>	INSULATION ENGINE BOX SADDLE	1	EA
35	<a href="#">47006630</a>	CLIP PLASTIC ROUND HEAD	15	EA
36	<a href="#">1107270</a>	SEAL QUICK EDGE	8	FT

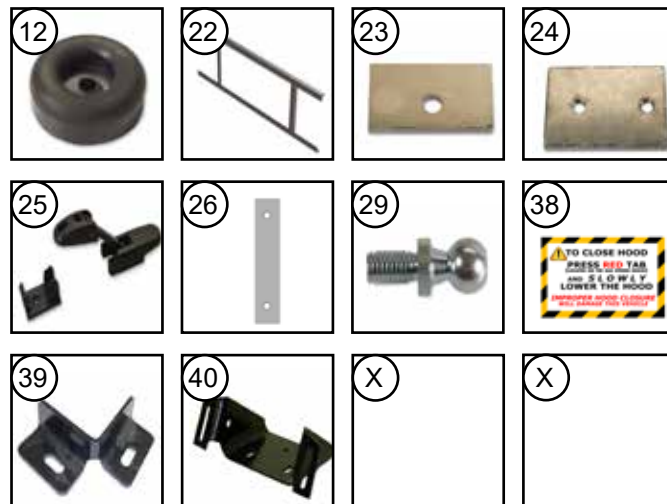
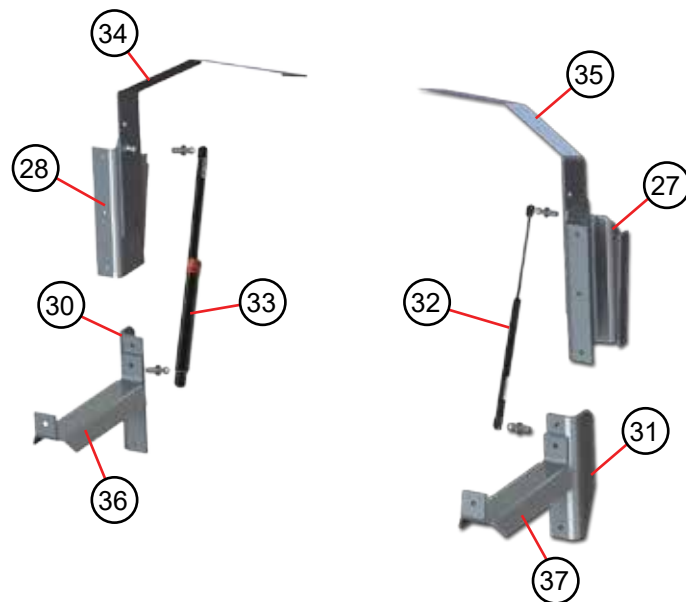
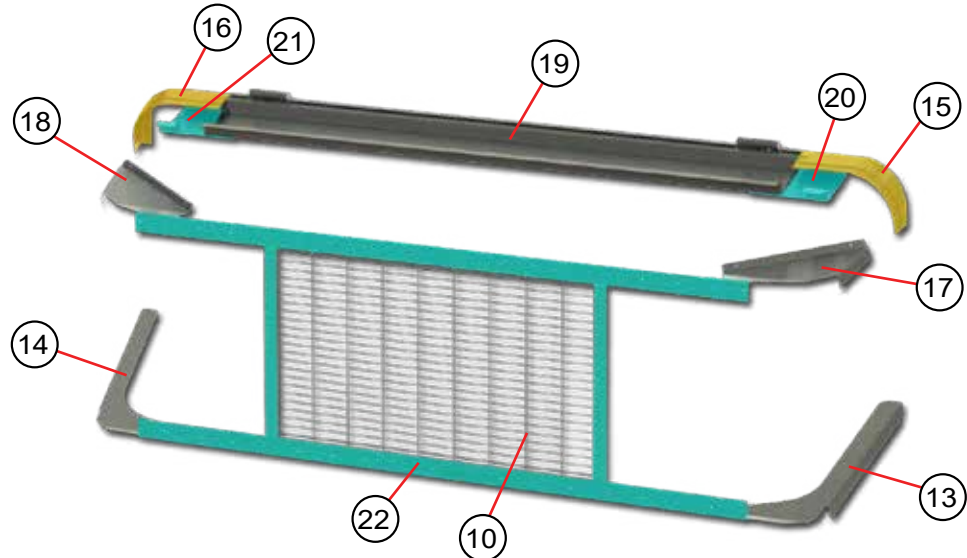
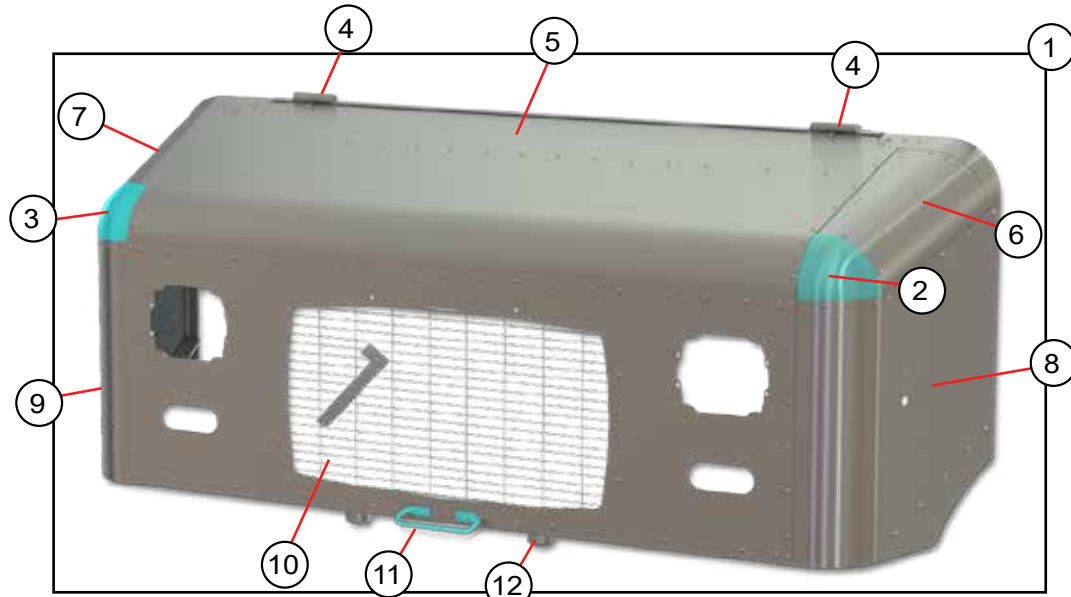
**COVER WIPER ASSEMBLY**

40	<a href="#">088076431</a>	PLATE COVER WPR MTR AL .102X5X12	2	EA
41	<a href="#">088076437</a>	COVER MOTOR WPR AL .102X10.85X87.25	1	EA
42	<a href="#">165076402</a>	SHELF LOWER AL .102X16.9X90.31	1	EA
43	<a href="#">088076449</a>	BRACKET MOUNTING AL .102X2.36X3.9 LH	1	EA
44	<a href="#">097076435</a>	PLATE COVER ACC AL .070X6X28.38	2	EA
45	<a href="#">088076451</a>	DIVIDER SHELF AL .102X9.01X9.46	1	EA



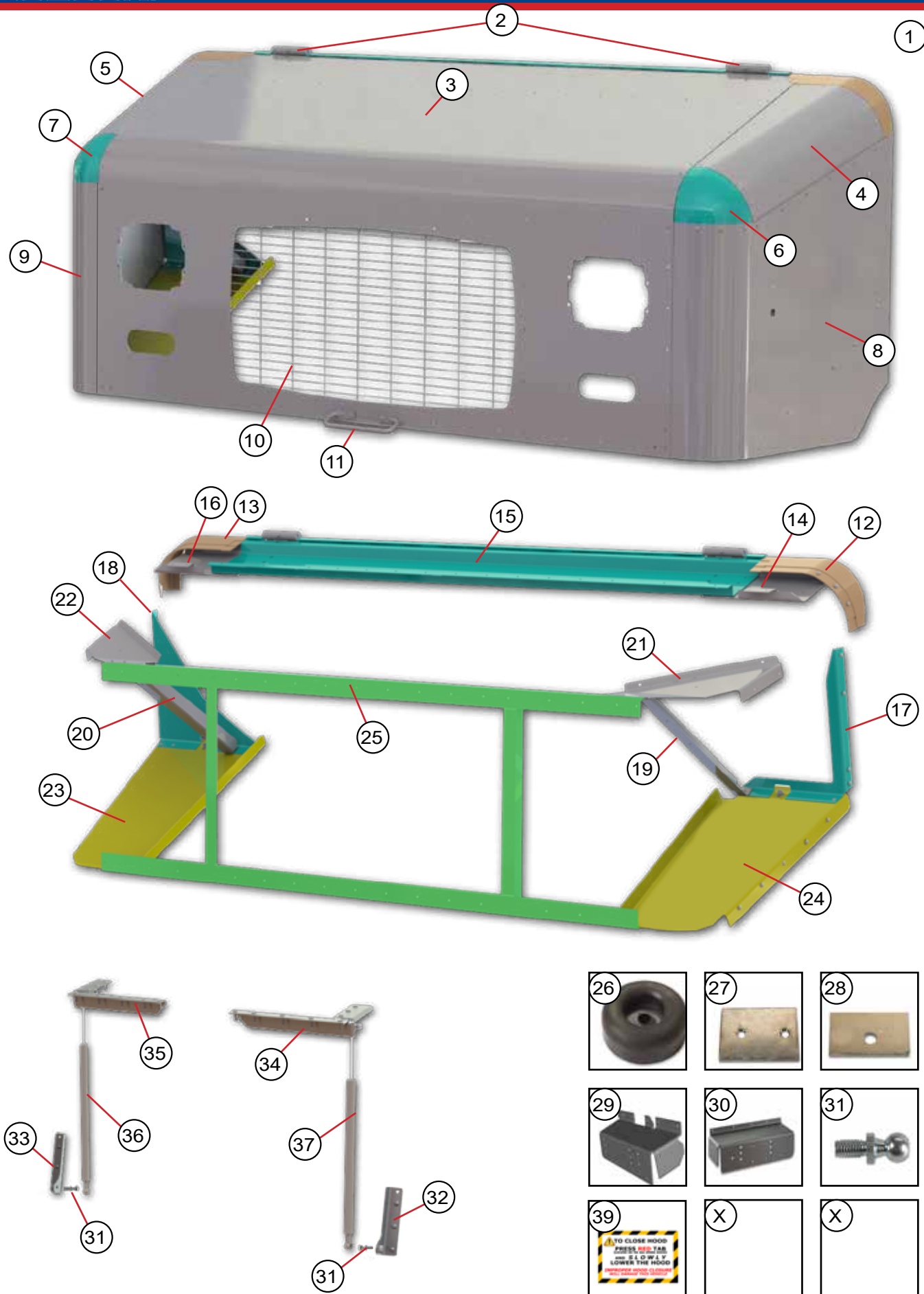


ITEM #	PART #	DESCRIPTION	QTY	UNIT
1	<a href="#">555001018</a>	HEATER ASSEMBLY	1	EA
2	<a href="#">47008797</a>	HEATER COIL W/GASKET	1	EA
3	<a href="#">46032339</a>	BLOWER MOTOR	1	EA
4	<a href="#">47008799</a>	CLIP	1	EA
5	<a href="#">47008769</a>	BLOWER WHEEL	1	EA
6	<a href="#">47008357</a>	RESISTOR	1	EA
7	<a href="#">47008800</a>	HOSE ADAPTER	1	EA
8	<a href="#">47008795</a>	RESISTOR CAGE	1	EA
9	<a href="#">47008794</a>	BLOWER HOUSING	1	EA
10	<a href="#">47008796</a>	VENTURI RING	1	EA
11	<a href="#">47008730</a>	VENT TUBE	1	EA
12	<a href="#">47008731</a>	VENT TUBE ADAPTER	1	EA
13	<a href="#">47008716</a>	RELAY	1	EA
14	<a href="#">47008758</a>	HARNES	1	EA
15	<a href="#">47008580</a>	FORMED HEATER HOSE	2	EA
16	<a href="#">555002053</a>	VALVE WATER	1	EA
17	205080401	BRACKET FOOT DUMP E-450	1	EA
18	200027500	BRACKET FOOT DUMP F-59	1	EA
20	<a href="#">555001413</a>	CONTROL PANEL ASSEMBLY	1	EA
21	<a href="#">47008706</a>	KNOB	2	EA
22	<a href="#">47008735</a>	KNOB	1	EA
23	<a href="#">47008707</a>	DECAL	1	EA
24	<a href="#">47008708</a>	LIGHT PANEL	1	EA
25	<a href="#">47008709</a>	CONTROL SUB PANEL	1	EA
26	<a href="#">46023202</a>	BLOWER SWITCH	1	EA
27	<a href="#">47008710</a>	POTENTIOMETER SWITCH	2	EA
28	<a href="#">47008711</a>	HARNES ILLUMINATION W/BULBS	1	EA
29	<a href="#">47008712</a>	HARNES BLOWER MOTOR SWITCH	1	EA
30	<a href="#">555001723</a>	DEFROST DUCT CURBSIDE METAL	1	EA
31	<a href="#">555001724</a>	DEFROST DUCT ROADSIDE METAL	1	EA
32	<a href="#">093080400</a>	HOLD DOWN PLATE DEFROSTER DUCTS	4	EA
33	<a href="#">555001524</a>	HOSE DEFROSTER 2.5X30	1	EA
34	<a href="#">555001525</a>	HOSE DEFROSTER 2.5X38 (2X DEFROSTER / 1XFOOT DUMP)	3	EA
35	<a href="#">555002006</a>	FRESH AIR INTAKE SIDE WALL	1	EA
36	<a href="#">555002005</a>	FRESH AIR INTAKE @ TOEBOARD	1	EA
37	<a href="#">555001715</a>	LOUVER BALL	6	EA
38	<a href="#">555001532</a>	HOSE BLOWER HEATER / DEFROSTER 4"	1	EA
39	<a href="#">002080400</a>	BRACKET MOUNTING WATER VALVE AL .102X3X11.67	1	EA
40	<a href="#">555001323</a>	PLENUM DUCT HVAC	1	EA
41	<a href="#">555001523</a>	HOSE DEFROSTER 2.5X16	1	EA
42	<a href="#">47008017</a>	CONNECTOR STRAIGHT .62ID BLACK NYLON	2	EA
43	<a href="#">47008705</a>	ACTUATOR MOTOR	1	EA
44	<a href="#">555001019</a>	FILTER KIT (FILTER ONLY USE P/N <a href="#">47008625</a> )	2	EA

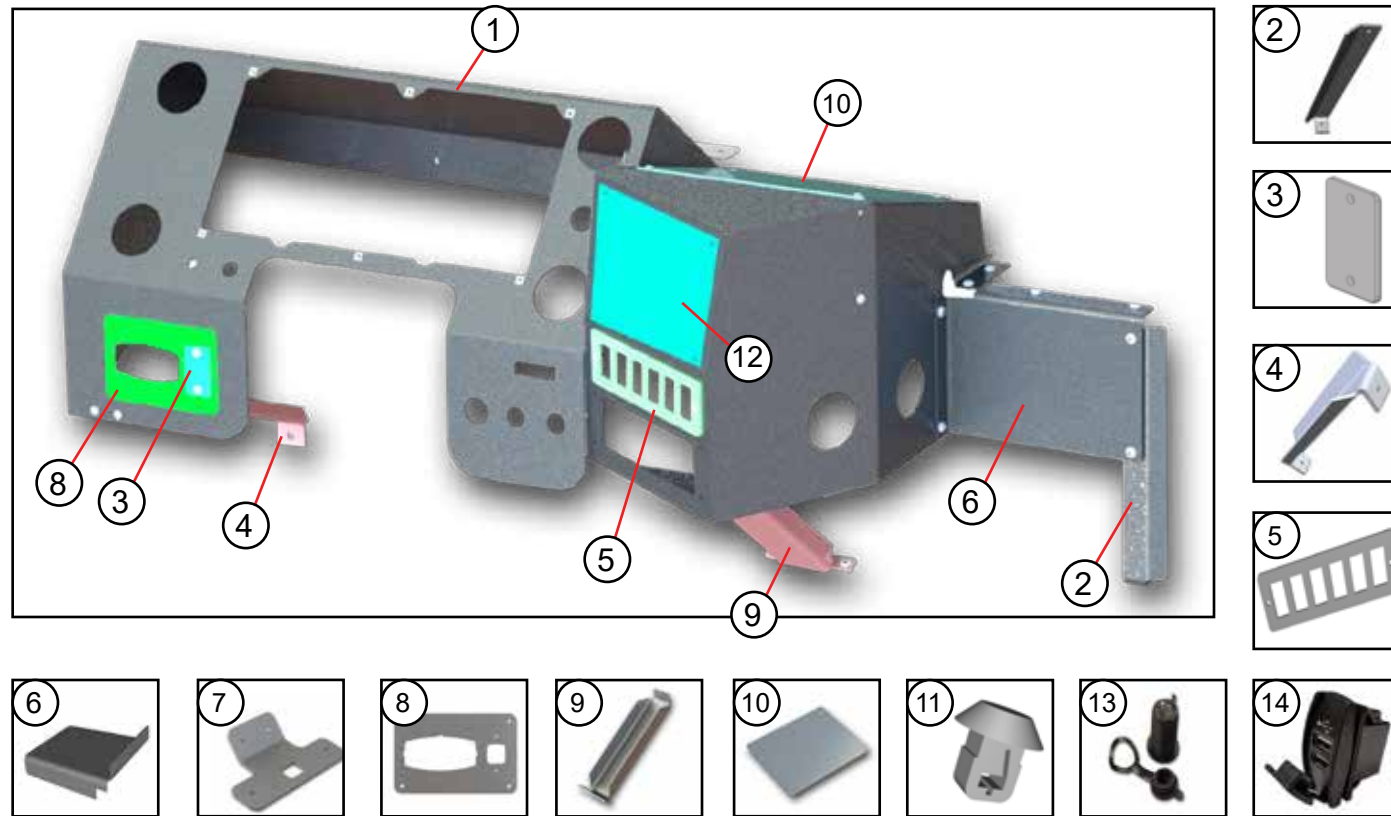


ITEM #	PART #	DESCRIPTION	QTY.	UNIT
1	<a href="#">167017200</a>	HOOD ASSEMBLY AL TILT 93W FORD E350/450	1	EA
2	<a href="#">45100057</a>	CORNER CASTING KNEE COWL FRONT LH	1	EA
3	<a href="#">45100058</a>	CORNER CASTING KNEE COWL FRONT RH	1	EA
4	<a href="#">47007852</a>	HINGE COMPLETE ASSEMBLY	2	EA
5	<a href="#">167017400</a>	PANEL HOOD 93W AL .07X48.92X74	1	EA
6	<a href="#">167017425</a>	COWL HOOD AL .07X15.22X17.47 LH	1	EA
7	<a href="#">167017426</a>	COWL HOOD AL .07X15.22X17.47 RH	1	EA
8	<a href="#">167017427</a>	HOOD SKIRT AL .07X27.9X29.9	1	EA
9	<a href="#">167017428</a>	HOOD SKIRT AL .07X27.9X29.9	1	EA
10	<a href="#">45700101</a>	GRILLE WIRE MESH 20.5X38.81	1	EA
11	<a href="#">90187300</a>	GRAB HANDLE .5DIAX15.7	1	EA
12	<a href="#">44002004</a>	BUMPER RUBBER HOOD SUPPORT	2	EA
13	<a href="#">167017433</a>	STIFFENER HOOD AL .102X15.93X22.83 LH	1	EA
14	<a href="#">167017434</a>	STIFFENER HOOD AL .102X15.93X22.83 RH	1	EA
15	<a href="#">45100060</a>	CAP AL COWL END AFT LH	1	EA
16	<a href="#">45100061</a>	CAP AL COWL END AFT RH	1	EA
17	<a href="#">167017402</a>	GUSSET CORNER AL .07X13.43X14.73 LH	1	EA
18	<a href="#">167017403</a>	GUSSET CORNER AL .07X13.43X14.73 RH	1	EA
19	<a href="#">167017413</a>	STIFFENER HOOD AL 450015X68.62	1	EA
20	<a href="#">167017431</a>	STIFFENER HOOD ANGLE AL .102X10.98X12 LH	1	EA
21	<a href="#">167017432</a>	STIFFENER HOOD ANGLE AL .102X10.98X12 RH	1	EA
22	<a href="#">167017202</a>	GRILL SUPPORT ASSEMBLY WELDMENT HD 93W E350/450	1	EA
23	<a href="#">167017412</a>	SHIM AL .125X.62X1.88	2	EA
24	<a href="#">167017411</a>	TAP PLATE HOOD HINGE AL .188X2X2.69	1	EA
25	<a href="#">47000613</a>	LATCH HOOD	2	EA
26	<a href="#">083016400</a>	SHIM AL .102X1X5.5	2	EA
27	<a href="#">077160401</a>	BRACKET HOOD AL .125X6.76X7.75 RH	1	EA
28	<a href="#">077160400</a>	BRACKET HOOD AL .125X6.76X7.75 LH	1	EA
29	<a href="#">47006086</a>	BALL STUD .31-18	4	EA
30	<a href="#">077160406</a>	BRACKET LOWER HOOD AL .188X2.84X6.34	1	EA
31	<a href="#">077160405</a>	BRACKET LOWER HOOD AL .188X2.84X6.34	1	EA
32	<a href="#">47006106</a>	SPRING GAS NON-LOCKING 110LB 20/12	1	EA
33	<a href="#">47006105</a>	SPRING GAS LOCKING 110LB 20/12	1	EA
34	<a href="#">095016401</a>	BRACKET GAS SPRING AL .125X6.41X16.41	1	EA
35	<a href="#">095016402</a>	BRACKET GAS SPRING AL .125X6.41X16.41	1	EA
36	<a href="#">095016403</a>	CAB SKIRT SUPPORT AL .125X3.38X11.18	1	EA
37	<a href="#">095016404</a>	CAB SKIRT SUPPORT AL .125X3.38X10.74	1	EA
38	<a href="#">43000903</a>	HOOD PROPER INSTRUCTION LABEL	1	EA
39	<a href="#">96713300</a>	ANGLE HOOD REST	2	EA
40	<a href="#">077150400</a>	SUPPORT HOOD STEEL 11GAX5.53X9.62	2	EA

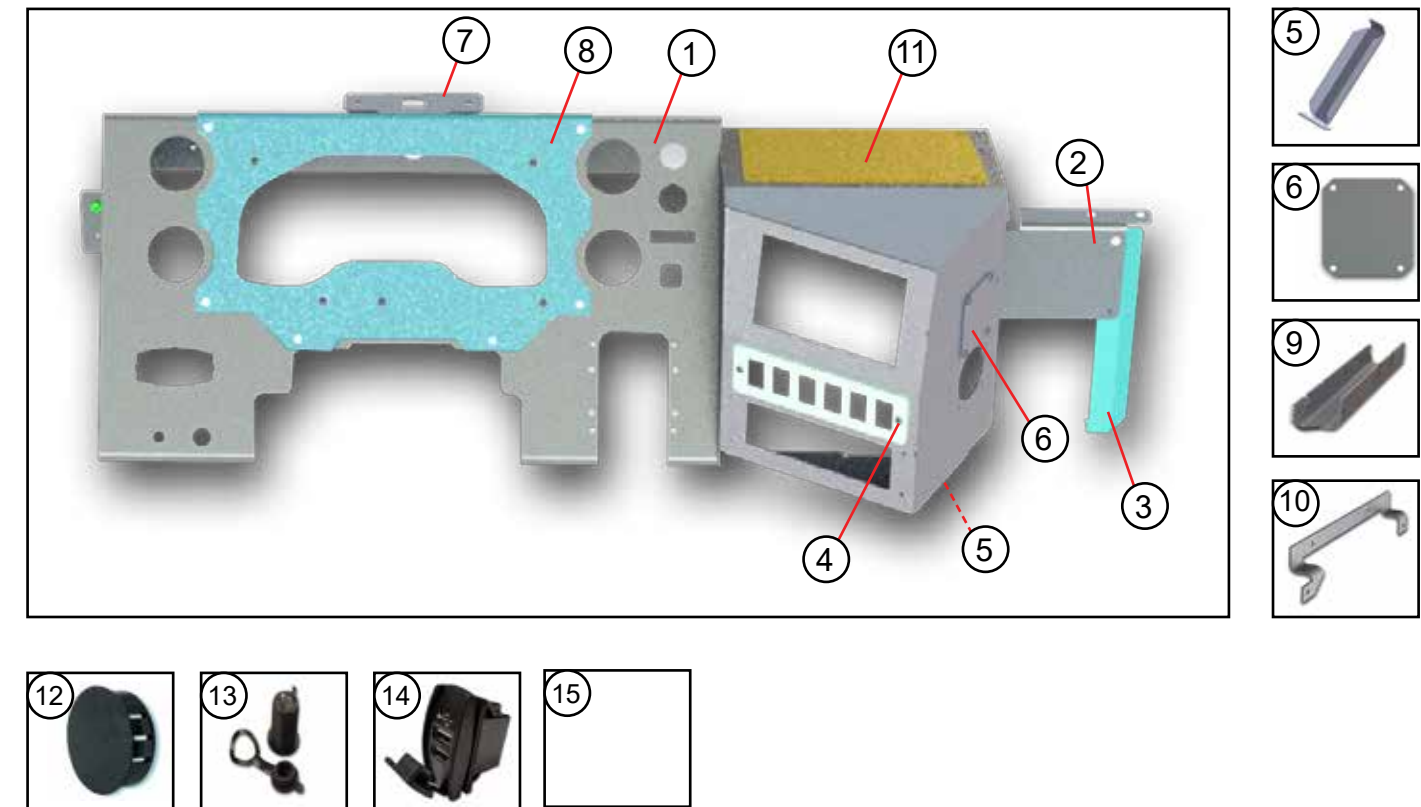




ITEM #	PART #	DESCRIPTION	QTY.	UNIT
1	<a href="#">167017001</a>	HOOD INSTALLATION TLT 93W	1	EA
2	<a href="#">47007852</a>	HINGE COMPLETE ASSEMBLY	2	EA
3	<a href="#">167017401</a>	PANEL HOOD AL .07X53.36X72	1	EA
4	<a href="#">167017404</a>	COWL HOOD AL .07X15.91X22.28 LH	1	EA
5	<a href="#">167017405</a>	COWL HOOD AL .07X15.91X22.28 RH	1	EA
6	<a href="#">45100057</a>	CORNER CASTING KNEE COWL FRONT LH	1	EA
7	<a href="#">45100058</a>	CORNER CASTING KNEE COWL FRONT RH	1	EA
8	<a href="#">167017406</a>	SKIRT HOOD AL .07X30.78X33.11 LH	1	EA
9	<a href="#">167017407</a>	SKIRT HOOD AL .07X30.78X33.11 RH	1	EA
10	<a href="#">45700101</a>	GRILLE WIRE MESH 20.5X38.81	1	EA
11	<a href="#">90187300</a>	GRAB HANDLE .5DIAX15.7	1	EA
12	<a href="#">45100060</a>	CAP AL COWL END AFT LH	1	EA
13	<a href="#">45100061</a>	CAP AL COWL END AFT RH	1	EA
14	<a href="#">167017414</a>	STIFFENER HOOD AL .102X11.02X15 LH	1	EA
15	<a href="#">167017413</a>	STIFFENER HOOD AL 450015X68.62	1	EA
16	<a href="#">167017415</a>	STIFFENER HOOD AL .102X11.02X15 RH	1	EA
17	<a href="#">167017416</a>	SPLASH PAN SUPPORT AL .102X13.16X16.84 LH	1	EA
18	<a href="#">167017417</a>	SPLASH PAN SUPPORT AL .102X16.08X16.84 RH	1	EA
19	<a href="#">167017420</a>	STRAP AL .125X2.98X25.76 LH	1	EA
20	<a href="#">167017421</a>	STRAP AL .125X2.98X25.76 RH	1	EA
21	<a href="#">167017402</a>	GUSSET CORNER AL .07X13.43X14.73 LH	1	EA
22	<a href="#">167017403</a>	GUSSET CORNER AL .07X13.43X14.73 RH	1	EA
23	<a href="#">167017418</a>	SPLASH PAN HOOD AL .102X16.45X26.95 LH	1	EA
24	<a href="#">167017419</a>	SPLASH PAN HOOD AL .102X18.02X26.95 RH	1	EA
25	<a href="#">167017203</a>	SUPPORT ASSEMBLY GRILLE 93W	1	EA
26	<a href="#">44002004</a>	BUBBER BUMPER HOOD REST	2	EA
27	<a href="#">167017411</a>	TAP PLATE HOOD HINGE AL .188X2X2.69	2	EA
28	<a href="#">96717312</a>	SHIM AL .125X.62X1.88	2	EA
29	<a href="#">115026400</a>	SPLASH SHIELD AL .125X8.95X19.79 LH	1	EA
30	<a href="#">077260404</a>	SPLASH SHIELD AL .125X8.49X19.49 RH	1	EA
31	<a href="#">40900019</a>	STUD BALL	4	EA
32	<a href="#">124016403</a>	BRACKET HOOD LOWER AL .188X2.9X6.4 LH	1	EA
33	<a href="#">124016404</a>	BRACKET HOOD LOWER AL .188X2.9X6.4 RH	1	EA
34	<a href="#">124016401</a>	BRACKET GAS SPRING AL .125X3.6X16.49 LH	1	EA
35	<a href="#">124016402</a>	BRACKET GAS SPRING AL .125X3.6X16.49 RH	1	EA
36	<a href="#">47006116</a>	GAS SPRING WITH LOCK 150LB 28/16.5 IGS	1	EA
37	<a href="#">47006117</a>	GAS SPRING W/O LOCK 150LB 28/16.5 IGS	1	EA
39	<a href="#">43000903</a>	HOOD PROPER INSTRUCTION LABEL	1	EA

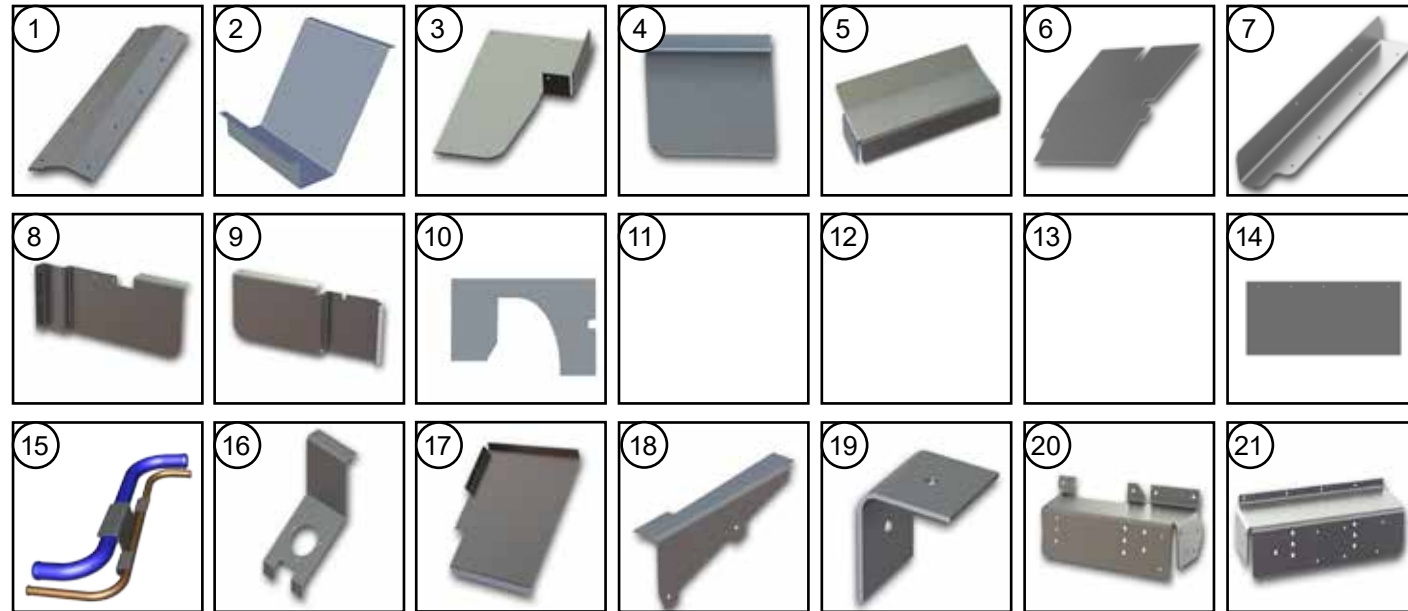


ITEM #	PART #	DESCRIPTION	QTY.	UNIT
1	215027202	INSTRUMENT PANEL WELDMENT FORD E-450	1	EA
2	<a href="#">093027402</a>	BRACKET STIFFENER AL .125X1.91X12.66	1	EA
3	<a href="#">095027408</a>	BLOCK OFF PLATE AL .102X1.32X2.30	1	EA
4	<a href="#">095027412</a>	BRACE I/P AL .102X3.43X18.39 LH	1	EA
5	<a href="#">118027417</a>	PLATE ROCKER SWITCH AL .102X2.50X8.75	1	EA
6	<a href="#">125027416</a>	BRACKET MOUNTING AL .102X7.74X10.14	1	EA
7	187027412	ANGLE MOUNTING - SENSOR AL .102X3.95X6.63	1	EA
8	205027405	PLATE LITE SWITCH AL .102X4X6	1	EA
9	215027409	BRACKET I/P AL .102X4.32X10.55	1	EA
10	218027400	PLATE ACCESS COVER - RADIO AL .102X9X11	1	EA
11	<a href="#">46026364</a>	TIE WRAP MOUNT PUSH-IN	4	EA
12	175027400	PLATE COVER I/P AL .07X5.74X8.64	1	EA
13	<a href="#">46026378</a>	RECEPTICLE 12V POWER W/ TETHER	2	EA
14	<a href="#">46026432</a>	POWER POINT USB 5V OUTPUT	1	EA

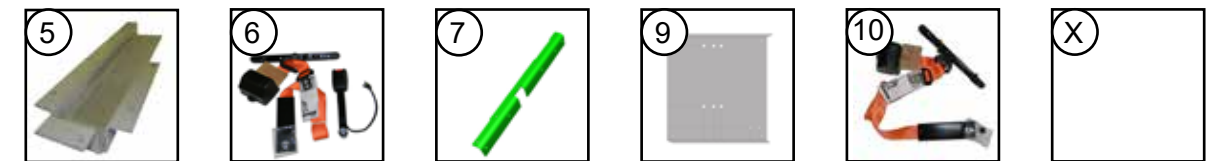


ITEM #	PART #	DESCRIPTION	QTY.	UNIT
1	205027205	INSTRUMENT PANEL WELDMENT FORD F-59	1	EA
2	<a href="#">114027403</a>	BRACKET MOUNTING AL .125X6.49X8.51	1	EA
3	<a href="#">118027414</a>	BRACE AL .125X1.91X12.9	1	EA
4	<a href="#">118027417</a>	PLATE ROCKER SWITCH AL .102X2.50X8.75	1	EA
5	<a href="#">125027407</a>	BRACKET I/P AL .102X4.32X11.06	1	EA
6	180027410	PLATE COVER HVAC AL .102X3X3.46	1	EA
7	187027412	ANGLE MOUNTING SENSOR AL .102X3.95X6.63	1	EA
8	187027415	PLATE FACE IP AL .102X11.99X18.39	1	EA
9	187027416	IP CLUSTER MOUNT AL .102X3.33X14.13	1	EA
10	187027417	IP CLUSTER MOUNT AL .102X2.67X14	1	EA
11	218027400	PLATE ACCESS COVER RADIO AL .102X9X11	1	EA
12	<a href="#">44000117</a>	HOLE PLUG BLACK	3	EA
13	<a href="#">46026378</a>	RECEPTICLE 12V POWER W/ TETHER	1	EA
14	<a href="#">46026432</a>	POWER POINT USB 5V OUTPUT	1	EA
15				

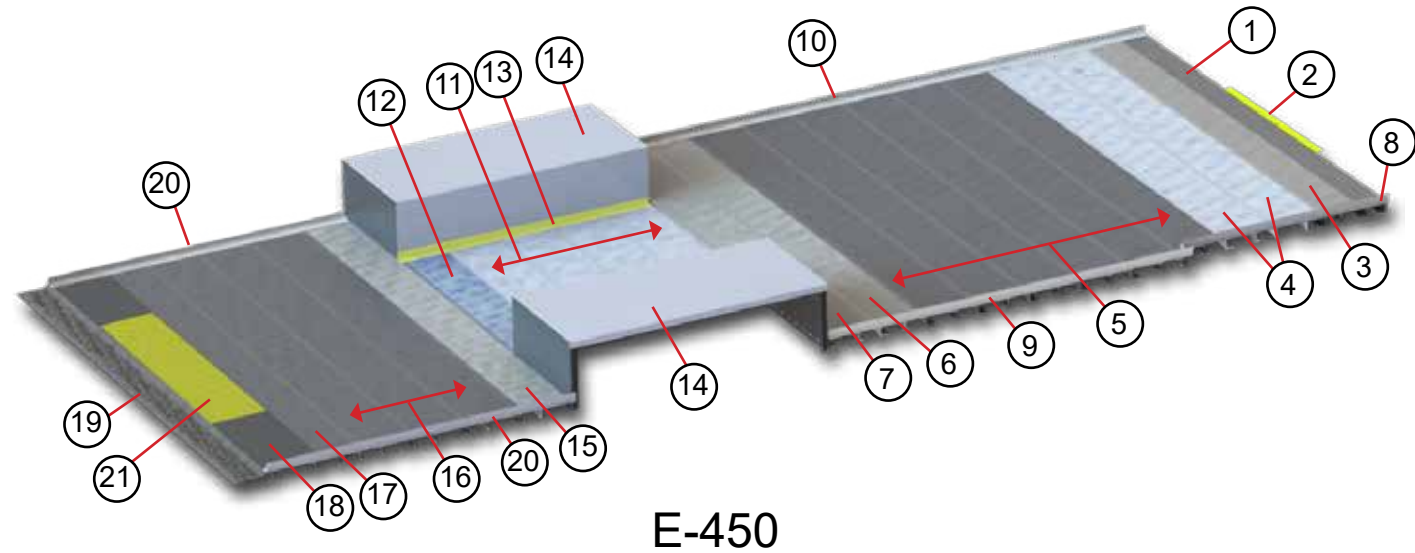




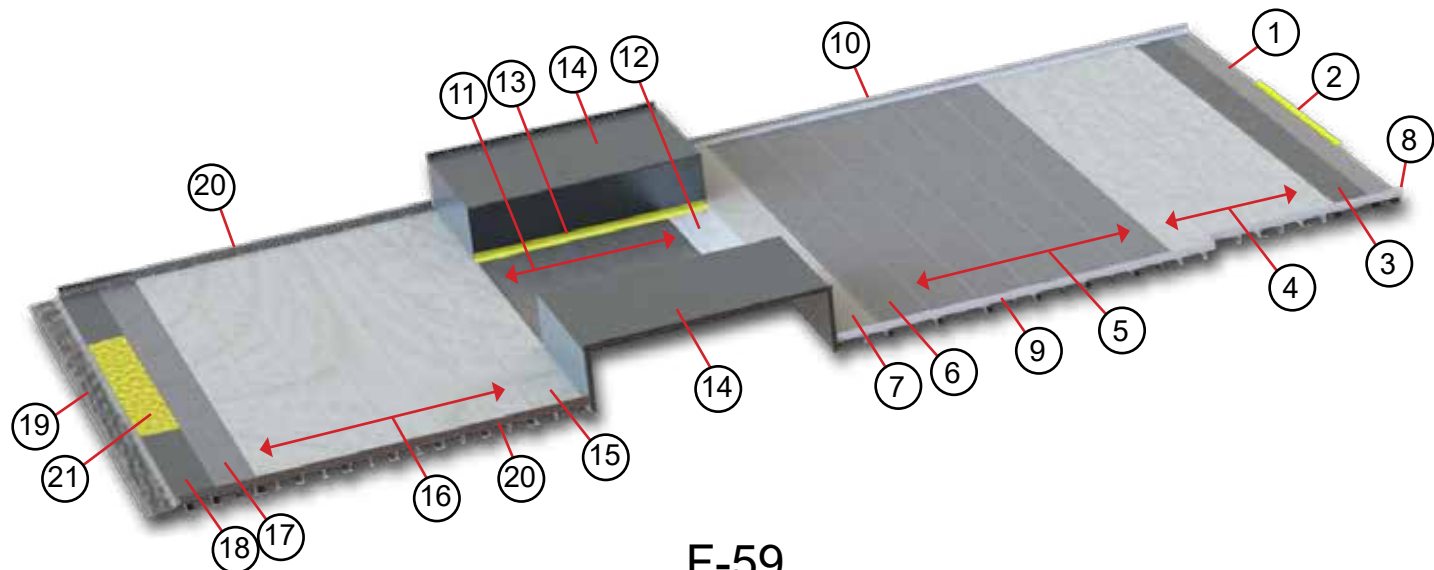
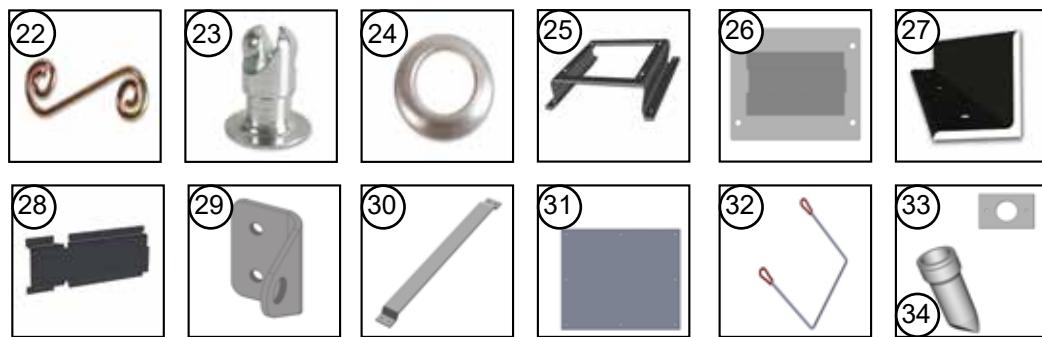
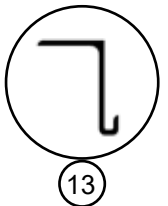
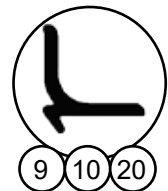
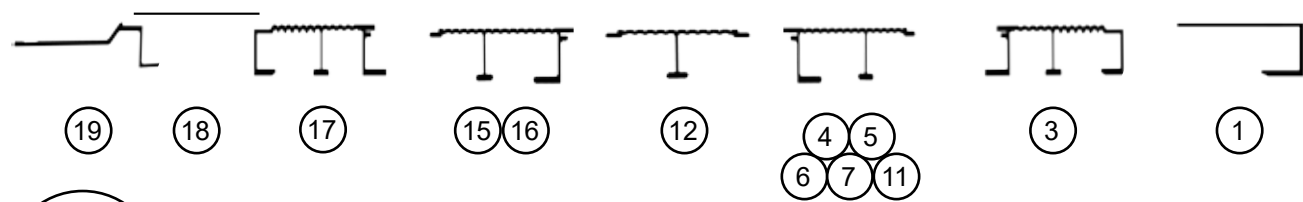
ITEM #	PART #	DESCRIPTION	QTY.	UNIT
<b>SPLASH PANS E-450</b>				
1	113026402	ADAPTOR SPLASH PAN AL .125X3.17X16.65 RH	1	EA
2	998526301	SPLASH PAN FUEL FIIL AL .07X19X30.44	1	EA
3	217026401	SPLASH PAN AL .125X15.27X21.99 LH	1	EA
4	217026402	SPLASH PAN AL .125X14.03X16.32 RH	1	EA
5	217026405	SPLASH PAN AL .125X9.56X19.2 RH	1	EA
6	217026406	SPLASH PAN VINYL 45200014X8.8X9.59 RH	1	EA
7	217026407	SPLASH PAN AL .102X4.76X20 LH	1	EA
8	217026403	SPLASH PAN FRONT AL .07X11.25X23.77 LH	1	EA
9	217026404	SPLASH PAN FRONT AL .07X10.63X24 RH	1	EA
10	006526401	SPLASH PANEL VINYL .125X19.25X52	2	EA
<b>SPLASH PAN F-59</b>				
14	138026413	SPLASH SHIELD VINYL 8 X 21"	1	EA
15	115012400	EXTENSION FUEL FILL F59	1	EA
16	115012402	BRACKET MOUNTING - FUEL FILL	1	EA
17	115012403	SPLASH PAN FUEL FILL	1	EA
18	115012406	HANGER MOUNTING	1	EA
19	82312025	SUPPORT CLIP - SPLASH PAN	1	EA
20	115026400	SPLASH PAN LH AL .125X8.95X19.79	1	EA
21	077260404	SPLASH PAN RH AL .125X8.49X19.49	1	EA



ITEM #	PART #	DESCRIPTION	QTY.	UNIT
1	<a href="#">47002685</a>	SEAT DRIVER	1	EA
NS	<a href="#">47012685</a>	DRIVER SEAT ONLY - WITHOUT SLIDES	1	EA
2	47002686	SEAT BASE	1	EA
3	47002684	DRIVER SEAT WITH HANDI BELT OPTION	1	EA
4	<a href="#">47011208</a>	ARM REST ROADSIDE	1	EA
5	<a href="#">98M582030</a>	BRACE SUPPORT STEEL 7GAX9.43X23.43	1	EA
6	47003199	SEAT BELT 7" ADJUSTABLE D ORANGE	1	EA
7	<a href="#">91614300</a>	ANGLE FLOOR .188X2.84X19.1	1	EA
8	<a href="#">47002687</a>	JUMP SEAT	1	EA
9	165069400	PLATE REINFORCEMENT JUMP SEAT	1	EA
10	<a href="#">47004365</a>	SEAT BELT WITH BOOT ADJUSTABLE D ORANGE	1	EA



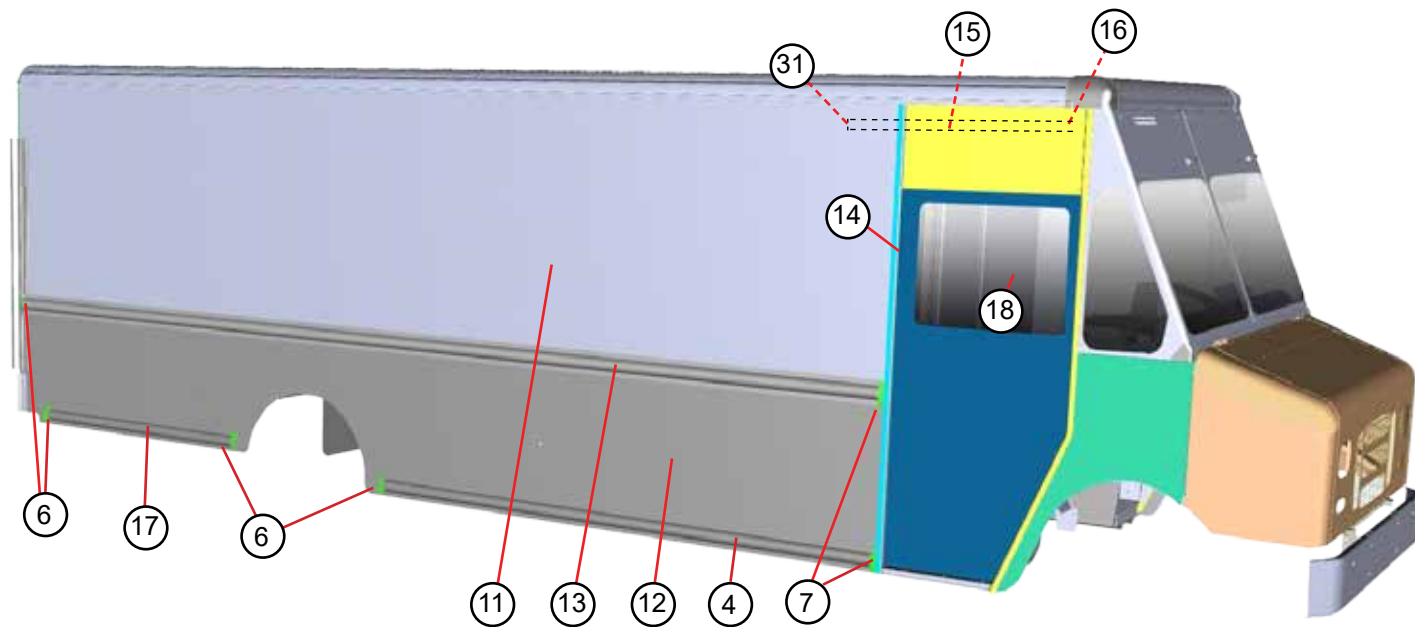
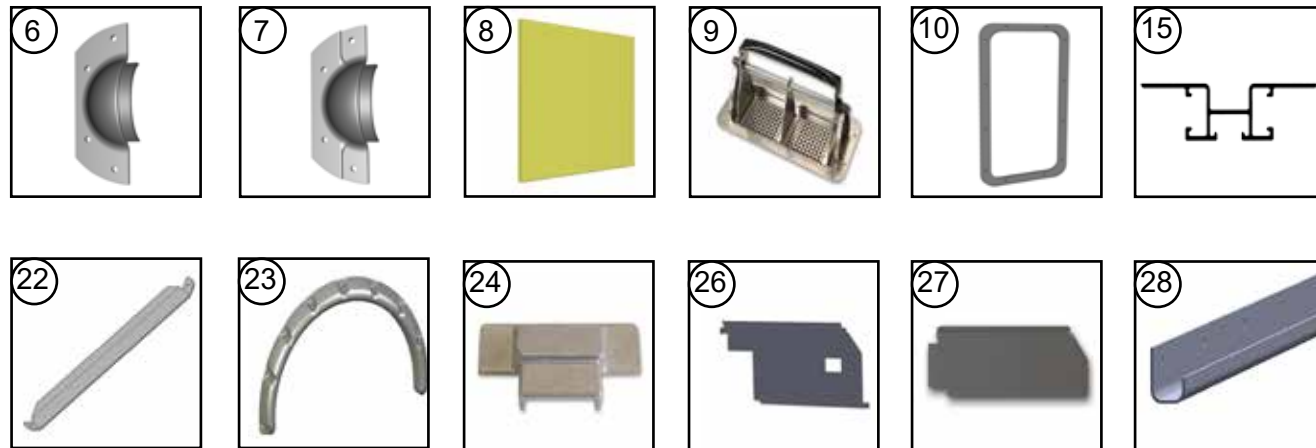
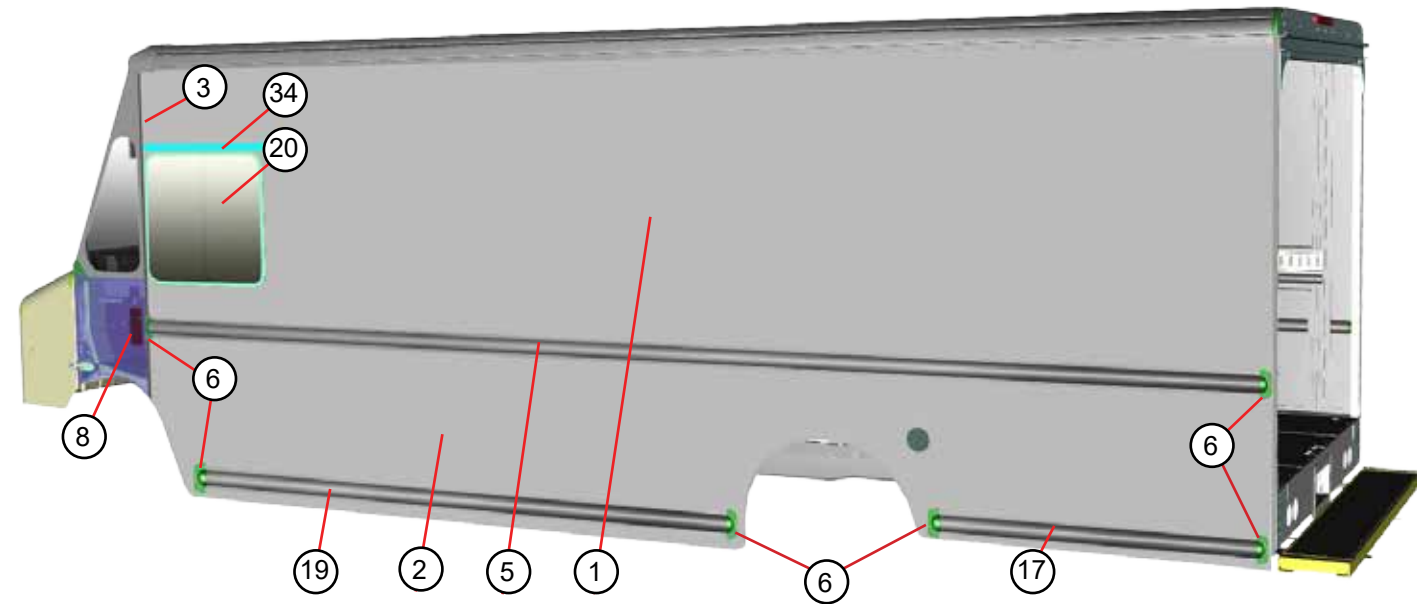
**E-450**



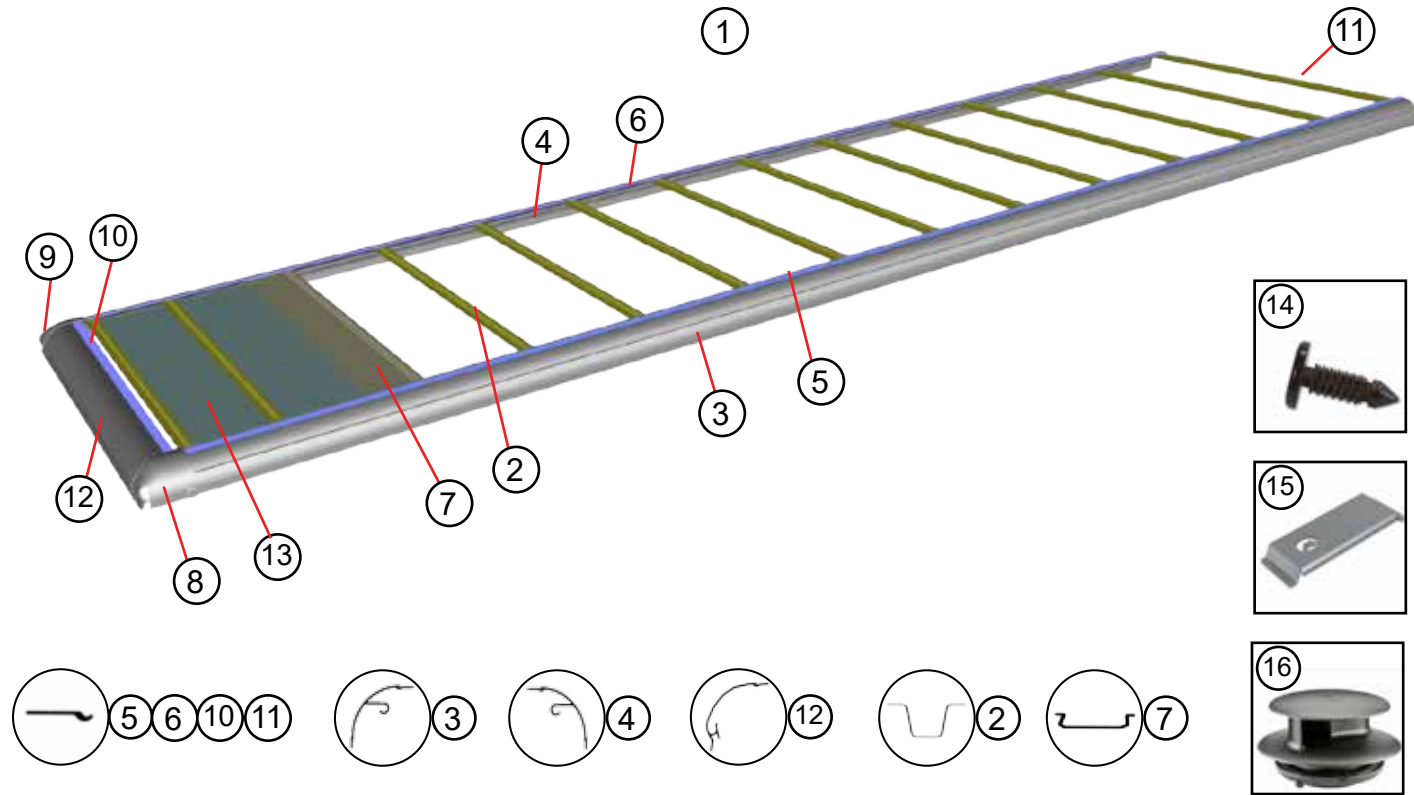
**F-59**

ITEM #	DESCRIPTION	UNIT	E-450	QTY	F-59	QTY
1	BEAM @ O/LINE	EA	<a href="#">095031411</a>	1	<a href="#">095031411</a>	1
2	ANGLE STEP	EA	<a href="#">003330525</a>	1	<a href="#">003330525</a>	1
<b>FLOOR FORWARD</b>						
3	BEAM FLOOR RIB ALE	EA	095031495	1	095031495	1
4	BEAM FLOOR RIB ALE	EA	095031443	2	095031452	4
5	BEAM FLOOR RIB ALE	EA	095031427	6	095031427	6
6	BEAM FLOOR RIB ALE	EA	095031452	1	095031452	4
7	BEAM FLOOR RIB ALE	EA	095031477	1	095031477	
8	ANGLE FLOOR AT DOOR	EA	155031403		<a href="#">001730410</a>	
9	ANGLE FLOOR 2DR ALE RH	EA	<a href="#">095031420</a>	1	999330417	
10	ANGLE FLOOR DLH ALE	EA	<a href="#">095031423</a>	1	?	
<b>FLOOR MID</b>						
11	BEAM FLOOR AL	EA	095032428	4	190032401	4
12	BEAM FLOOR AL	EA	095032426	1	190032400	1
13	ANGLE W/BX ATTACH	EA	<a href="#">095032425</a>	2	<a href="#">095869302</a>	2
14	WHEEL BOX ASSEMBLY 44"	EA	<a href="#">095032206</a>	2	<a href="#">095869202</a>	2
<b>FLOOR REAR</b>						
15	BEAM FLOOR RIB	EA	095031477	1	095031477	1
16	BEAM FLOOR RIB	EA	095031427	3	095031452	6
17	BEAM RIB FLOOR	EA	095033417	1	095033417	1
18	PLATE FILLER REAR	EA	095033437	1	088033401	1
19	DROP SILL AL FLOOR	EA	<a href="#">45059200</a>	1	<a href="#">45059200</a>	1
20	ANGLE FLOOR AL	EA	095033413	2	210030403	2
21	ANTI SLIP YELLOW TAPE VINYL 4X48	EA	<a href="#">45400523</a>	1	<a href="#">45400523</a>	1
<b>ACCESS DOOR</b>						
22	SPRING	EA	<a href="#">40900082</a>	4		
23	STUD	EA	<a href="#">40900080</a>	4		
24	GROMMET HALF	EA	<a href="#">40900081</a>	4		
25	SUPPORT ACCESS DOOR	EA	<a href="#">125012400</a>	1		
26	DOOR ACCESS WELDMENT	EA	<a href="#">130032200</a>	1		
27	ANGLE ACCESS DOOR	EA	<a href="#">150012400</a>	2		
<b>MISC</b>						
28	BRACKET HAND CART	EA	<a href="#">165127402</a>	1		
29	BRACKET BUNGEE CORD	EA	<a href="#">150127456</a>	2		
30	CATCH HAND CART STL	EA	<a href="#">165127401</a>	1		
31	PANEL WEAR HAND CART	EA	<a href="#">150127462</a>	1		
32	BUNGEE CORD	EA	<a href="#">45400581</a>	1		
33	PLATE MOUNTING DRAIN VALVE	EA	<a href="#">97435300</a>	2		
34	DRAIN VALVE 1-1/2 X 4-1/2	EA	<a href="#">47006607</a>	2		

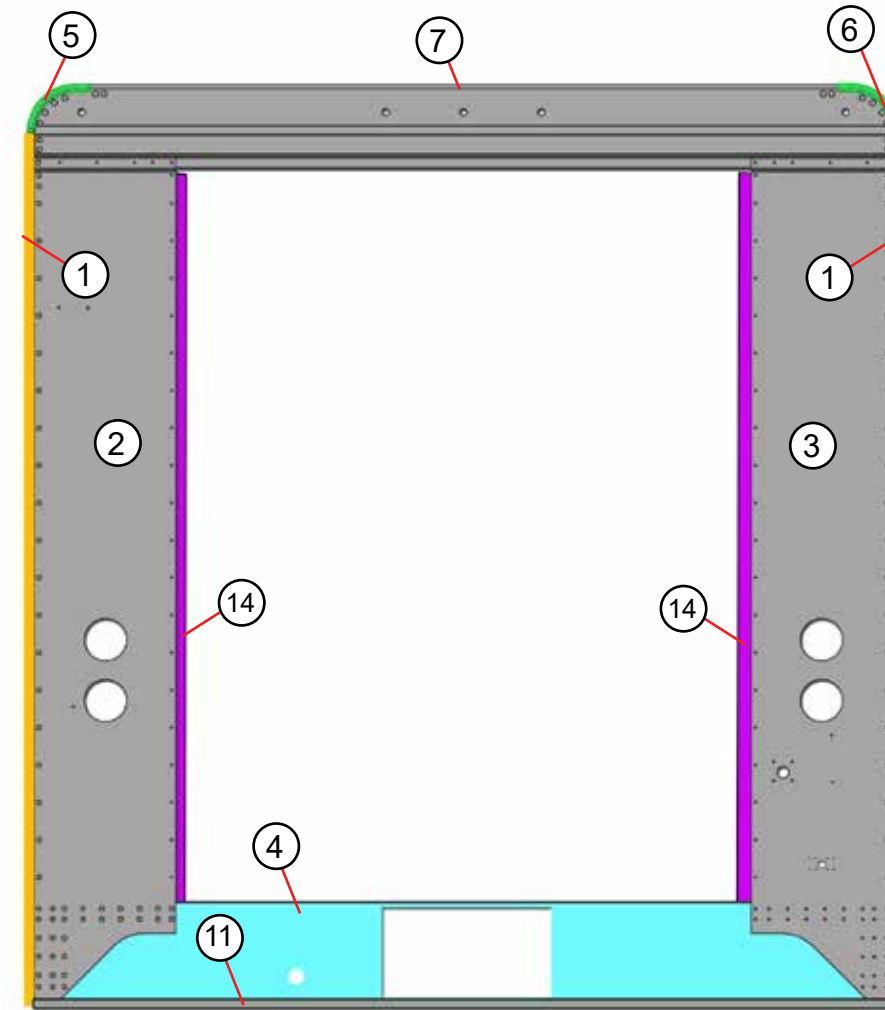




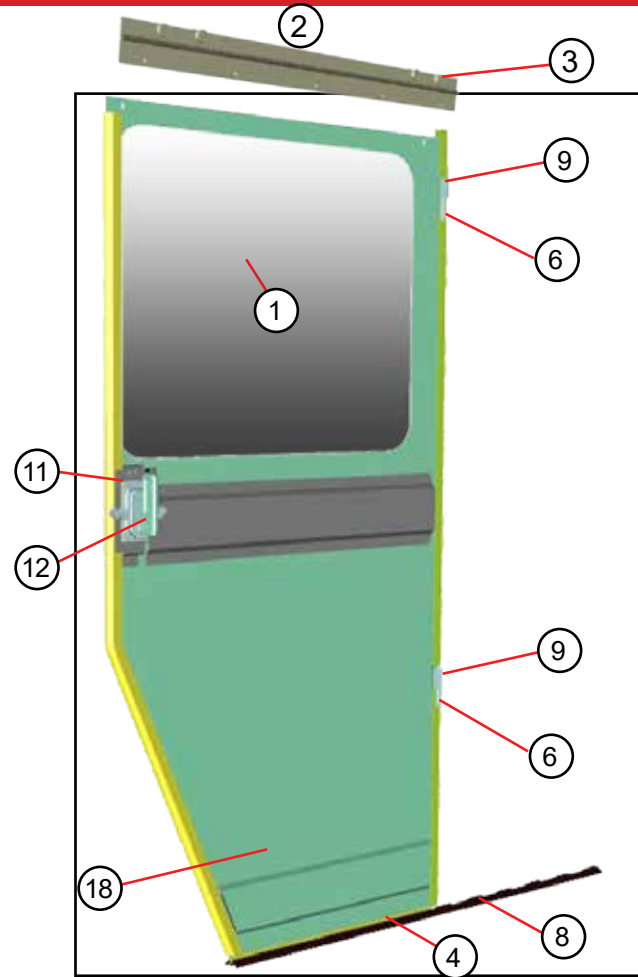
ITEM #	DESCRIPTION	QTY.	UNIT	E-450	F-59
1	SIDE UPPER DLH	1	EA	207046400	205046401
2	SIDE LOWER DLH	1	EA	<a href="#">165045404</a>	205045401
3	DOOR POST ASSEMBLY LH	1	EA	<a href="#">095044300</a>	<a href="#">088044201</a>
4	RUB RAIL LOWER FRONT RH	1	EA	<a href="#">125038413</a>	<a href="#">148039443</a>
5	RUB RAIL DLH	1	EA	165046409	<a href="#">088039329</a>
6	END CAP REAR	10	EA	<a href="#">1100799</a>	<a href="#">1100799</a>
7	END CAP FORWARD	2	EA	<a href="#">1100800</a>	<a href="#">1100800</a>
8	PLATE FILLER RUB RAIL	2	EA	<a href="#">7600165</a>	<a href="#">7600165</a>
9	VENT AL 2WAY HNGLS	1	EA	<a href="#">47008545</a>	<a href="#">47008545</a>
10	GASKET FOR VENT	1	EA	<a href="#">47008548</a>	<a href="#">47008548</a>
11	SIDE UPPER RH	1	EA	207038400	205038402
12	SIDE LOWER RH	1	EA	<a href="#">175037402</a>	177037438
13	RUB RAIL	1	EA	<a href="#">125038413</a>	<a href="#">088039307</a>
14	POST "B" RH	1	EA	<a href="#">095038404</a>	<a href="#">095038404</a>
15	STIFFENER HEADER RH ( 165042400 - LH )	1	EA	<a href="#">083042401</a>	<a href="#">083042401</a>
16	CLIP ZEE	1	EA	<a href="#">96742302</a>	<a href="#">96742302</a>
17	RUB RAIL LOWER REAR	2	EA	165039402	<a href="#">148039433</a>
18	WINDOW SLIDING RH	1	EA	<a href="#">13342990003</a>	<a href="#">13342990003</a>
19	RUB RAIL LOWER FRONT LH	1	EA	<a href="#">165039403</a>	<a href="#">148039449</a>
20	GLASS - ROLL UP WINDOW	1	EA	<a href="#">45800093</a>	<a href="#">45800093</a>
NS	STIFFENER ZEE BELOW WINDOW LH	1	EA	<a href="#">093019408</a>	<a href="#">093019408</a>
22	GUSSETT FLOOR TO SIDE STRAP	3	EA	<a href="#">001744400</a>	<a href="#">001744400</a>
23	FENDER RUBBER REAR	2	EA	<a href="#">66104047</a>	<a href="#">66104047</a>
24	CAP RAIL END	1	EA	<a href="#">45100074</a>	<a href="#">45100074</a>
NS	PANEL LNR BELOW WINDOW LH	1	EA	177019403	177019403
26	PANEL LNR ABOVE WINDOW DLH	1	EA	175019400	175019400
27	PANEL LNR ABOVE WINDOW RH	1	EA	175019401	175019401
28	DRIP RAIL OVER WINDOW	1	EA	<a href="#">89367380</a>	<a href="#">89367380</a>
NS	INSULATION FBG	2.5	FT	<a href="#">1109001</a>	<a href="#">1109001</a>



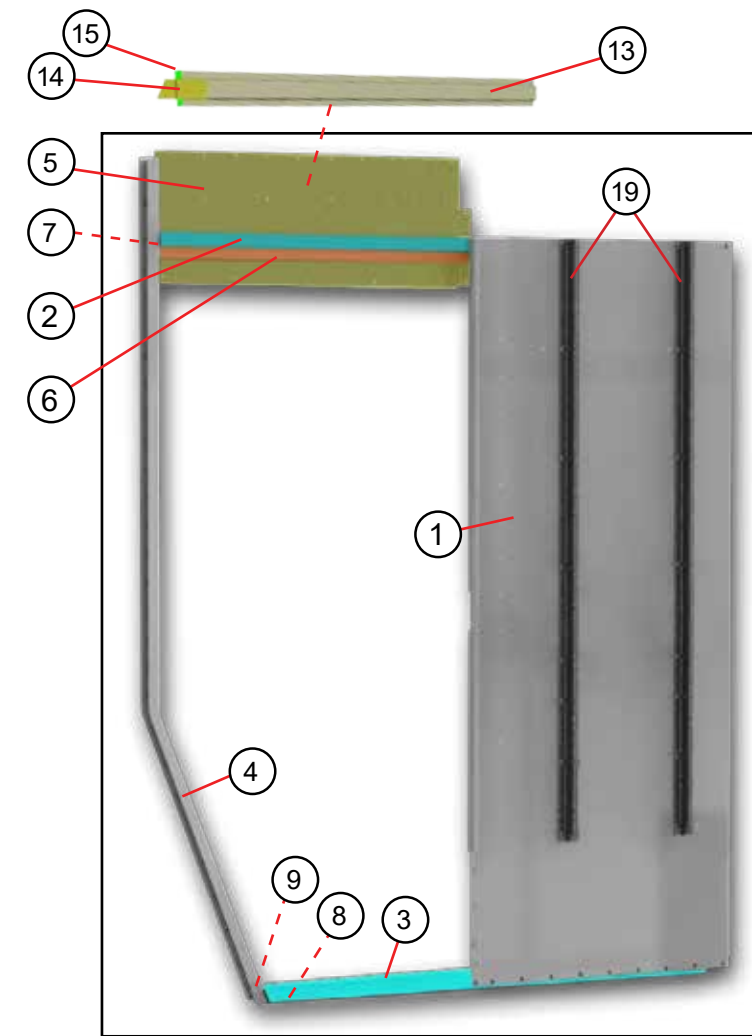
ITEM #	DESCRIPTION	QTY	UNIT	E-450	F-59
2	ROOF BOW STEEL	10	EA	<a href="#">45601603</a>	<a href="#">45601603</a>
3	ROOF RAIL LH	1	EA	<a href="#">098010407</a>	<a href="#">098010413</a>
4	ROOF RAIL RH	1	EA	<a href="#">098010408</a>	<a href="#">098010414</a>
5	RAIL INTERLOCK LH	1	EA	<a href="#">088010512</a>	<a href="#">088010516</a>
6	RAIL INTERLOCK RH	1	EA	<a href="#">088010513</a>	<a href="#">088010517</a>
7	ROOF BEAM @ O LINE	1	EA	<a href="#">118010402</a>	<a href="#">118010402</a>
8	CORNER CASTING LH	1	EA	<a href="#">077100400</a>	<a href="#">077100400</a>
9	CORNER CASTING RH	1	EA	<a href="#">077100401</a>	<a href="#">077100401</a>
10	INTERLOCK ROOF NOSE	1	EA	<a href="#">89310506</a>	<a href="#">89310506</a>
11	INTERLOCK ROOF REAR	1	EA	<a href="#">89310507</a>	<a href="#">89310507</a>
12	ROOF NOSE	1	EA	<a href="#">083010400</a>	<a href="#">083010400</a>
13	LINER ROOF	1	EA	<a href="#">083011470</a>	<a href="#">083011470</a>
14	CLIP PLASTIC FLAT HEAD	52	EA	<a href="#">47006610</a>	<a href="#">47006610</a>
15	BRACKET ROOF VENT	1	EA	<a href="#">208091400</a>	<a href="#">208091400</a>
16	VENT ROOF 8" 80CFM	1	EA	<a href="#">47009306</a>	<a href="#">47009306</a>
NS	ROOF SKIN FBG <a href="#">45200851</a>	-	FT	19.98 FT	21.98 FT
NS	INSULATION FBG	7.25	FT	<a href="#">1109001</a>	<a href="#">1109001</a>
NS	POLYESTER FILL	3	EA	100011400	100011400



ITEM #	DESCRIPTION	QTY	UNIT	PART #
1	CHANNEL POST CORNER	2	EA	<a href="#">083053452</a>
2	PANEL BACK LH	1	EA	207053401
3	PANEL BACK RH	1	EA	207053402
4	SILL REAR	1	EA	207053400
5	CORNER CASTING LH	1	EA	<a href="#">45100009</a>
6	CORNER CASTING RH	1	EA	<a href="#">45100010</a>
7	TRANSOM HEADER	1	EA	<a href="#">083053401</a>
8	PLACARD HOLDER	4	EA	<a href="#">43001402</a>
9	BOX LICENSE PLATE	1	EA	<a href="#">140092400</a>
10	LAMP LICENSE PLATE	1	EA	<a href="#">47009642</a>
11	PLATE FILLER BACK	1	EA	<a href="#">165135400</a>
12	GUARD LAMP	2	EA	<a href="#">003750424</a>
13	GUARD KEYLESS	1	EA	207081402
14	JAMB DOOR POST ASSEMBLY	2	EA	<a href="#">167130406</a>
15	BRACKET - SPACER	1	EA	<a href="#">7400214</a>
16	ANGLE CLIP AL 450192X.88	2	EA	<a href="#">90650309</a>
17	WIRING COVER @ TRANSOM	1	EA	<a href="#">175127400</a>
18	BRACKET MOUNTING	2	EA	170130402

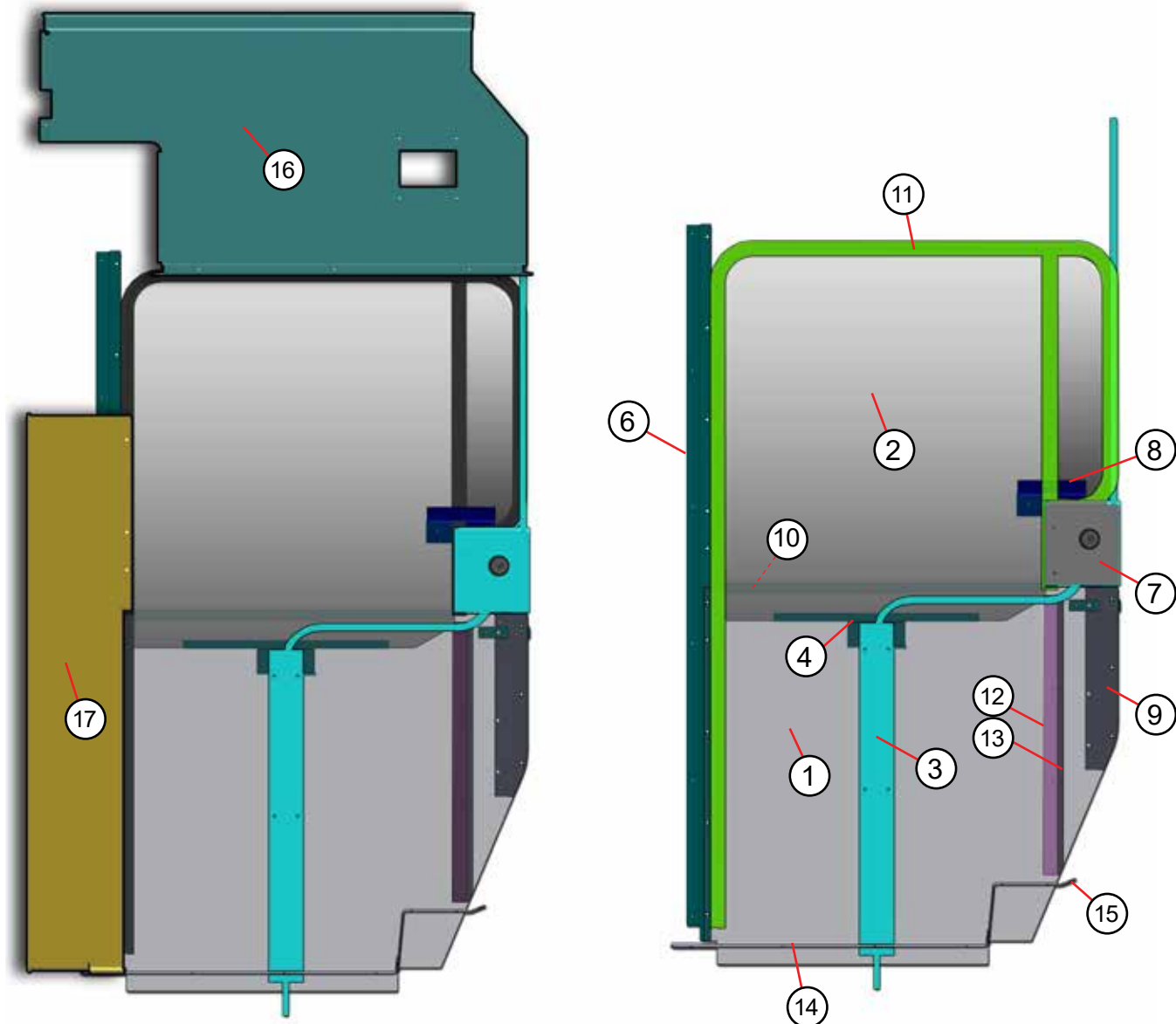


ITEM #	DESCRIPTION	QTY.	UNIT	E-450	F-59
1	WINDOW SLIDING RH	1	EA	<a href="#">13342990003</a>	<a href="#">13342990003</a>
2	HANGER ASSEMBLY	1	EA	<a href="#">96760203</a>	<a href="#">96760203</a>
3	SIDE DOOR ASSEMBLY	1	EA	<a href="#">115060202</a>	<a href="#">118060201</a>
4	WEAR STRIP E-450	1	EA	<a href="#">095060448</a>	<a href="#">98760306</a>
6	SPACER ANTI RATTLE NYLON	2	EA	<a href="#">45200206</a>	<a href="#">45200206</a>
8	DOOR GUIDE NYLON	1	EA	<a href="#">47002766</a>	<a href="#">47002766</a>
9	CLIP ANTI RATTLE AL.188X2X2.7	2	EA	<a href="#">45300377</a>	<a href="#">45300377</a>
10	DOOR SEAL RUBBER FORWARD	1	EA	<a href="#">44004104</a>	<a href="#">44004104</a>
11	KASON SPACER	1	EA	<a href="#">087181</a>	<a href="#">087181</a>
NS	ADDITIONAL SPACER FOR LATCH	1	EA	<a href="#">157060404</a>	<a href="#">157060404</a>
12	LATCH MECHINISM	1	EA	<a href="#">45100168</a>	<a href="#">45100168</a>
13	STRIKER BRONZE CAST D/S RR	2	EA	<a href="#">45100093</a>	<a href="#">45100093</a>
14	HANDLE - NON LOCKING SILVER	1	EA	<a href="#">47001326</a>	<a href="#">47001326</a>
15	BRACKET STRIKER	1	EA	<a href="#">45100094</a>	<a href="#">45100094</a>
16	RUBBER BUMPER	1	EA	<a href="#">44002011</a>	<a href="#">44002011</a>
17	SEAL BRUSH TYPE B 1X41.95"	1	EA	<a href="#">44008050</a>	<a href="#">44008050</a>
18	PANEL DOOR - INNER LOWER	1	EA	<a href="#">115060409</a>	<a href="#">118060403</a>

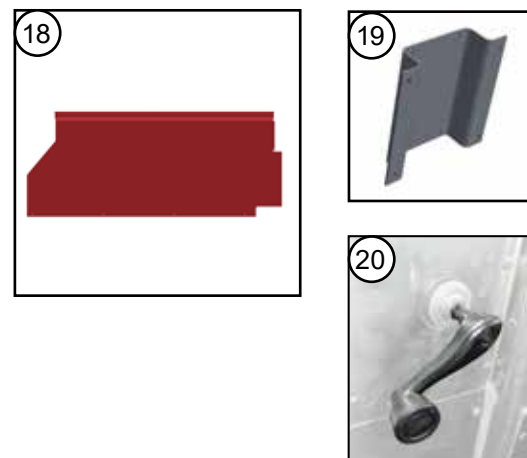
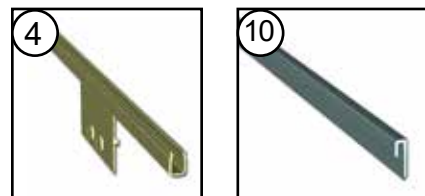


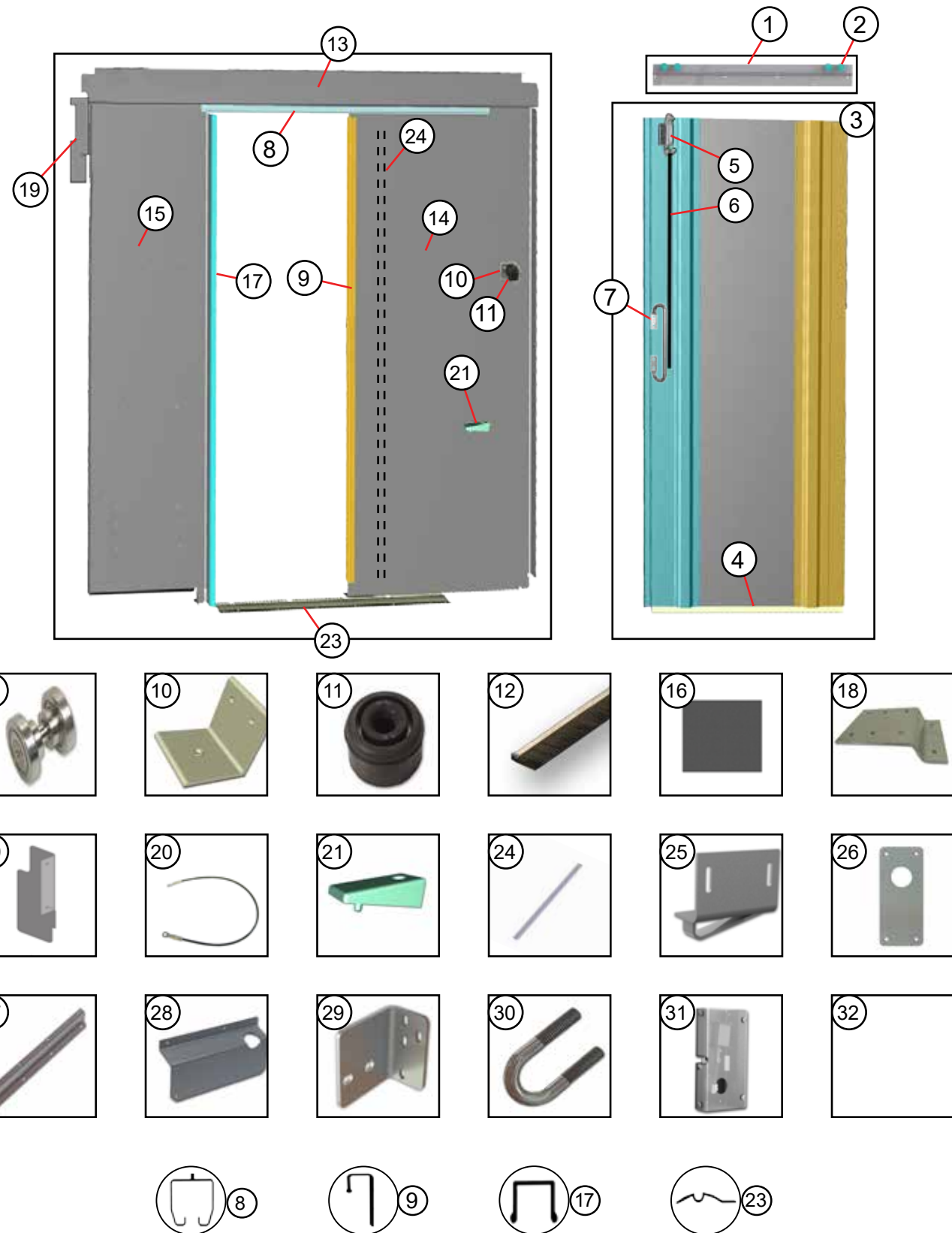
ITEM #	DESCRIPTION	QTY.	UNIT	E-450	F-59
1	PANEL DOOR POCKET RH	1	EA	207041400	205041400
2	CHANNEL HEADER AL 450256X75 RH	1	EA	<a href="#">96741303</a>	<a href="#">96741303</a>
3	NOSE STEP AL 450247X62.57 RH	1	EA	<a href="#">095041416</a>	<a href="#">98741353</a>
4	DOOR POST AL 450294X92.77 RH	1	EA	<a href="#">095041410</a>	<a href="#">077410403</a>
5	PANEL HEADER AL .102X15.56X42.39 RH	1	EA	215041401	215041401
6	TRACK ASSEMBLY UPPER	1	EA	<a href="#">96741202</a>	<a href="#">96741202</a>
7	GUSSET HEADER CHANNEL TO DOOR POST	1	EA	<a href="#">45100049</a>	<a href="#">45100049</a>
8	DOOR POST CASTING LOWER	1	EA	<a href="#">45100105</a>	<a href="#">45100105</a>
9	REINFORCEMENT BRACKET RH	1	EA	<a href="#">001741408</a>	<a href="#">001741408</a>
10	SEAL BRUSH TYPE C 1.5X82	1	EA	<a href="#">44004060</a>	<a href="#">44004060</a>
11	SEAL BRUSH TYPE B 1X83.9	1	EA	<a href="#">44008050</a>	<a href="#">44008050</a>
12	PLUG WD RUBRAIL .75X1.12X2.9	1	EA	<a href="#">45900001</a>	<a href="#">45900001</a>
13	STIFFENER HEADER AL450328X73.75 RH	1	EA	<a href="#">083042401</a>	<a href="#">083042401</a>
14	CLIP AL Z .102X3X9.57	1	EA	<a href="#">96742302</a>	<a href="#">96742302</a>
15	CAP RAIL END (OPTIONAL)	1	EA	<a href="#">45100074</a>	<a href="#">45100074</a>
16	VENT CAP PLASTIC (OPTIONAL)	1	EA	<a href="#">47008533</a>	<a href="#">47008533</a>
17	PANEL LINER HEADER AL.07X19.48X50.57 RH	1	EA	175019400	175019401
18	CARPET GREY BLACHFORD	2	FT	<a href="#">47009600</a>	<a href="#">47009600</a>
19	STIFFENER AL 459919X66.75	2	EA	205048404	205048405
20	PLUG DRIP RAIL	1	EA	<a href="#">44002024</a>	<a href="#">44002024</a>





ITEM#	PART#	DESCRIPTION	QTY.	UNIT
1	095066402	PANEL REGULATOR AL .102X33.81X36.26 DL	1	EA
2	<a href="#">45800093</a>	GLASS D/S ROLL UP WINDOW .125X28.43X32.59	1	EA
3	<a href="#">47007526</a>	WINDOW REGULATOR LH	1	EA
4	<a href="#">47007532</a>	CHANNEL MOUNTING WINDOW REGULATOR X18	1	EA
NS	<a href="#">998566419</a>	FELT GLS X28.12	1	EA
6	<a href="#">998566407</a>	STIFFENER Z REAR AL .102X2.94X62.73L/R	1	EA
7	<a href="#">998566450</a>	PLATE MOUNTING CRANK AL .07X7.19X7.51	1	EA
8	<a href="#">998566451</a>	PLATE MOUNTING Z AL .102X3.92X6	1	EA
9	095066404	COVER Z FORWARD AL .102X3.56X16	1	EA
10	<a href="#">998566456</a>	TRIM WINDOW EDGE AL 450234X27.92	1	EA
11	<a href="#">13342290002</a>	FRAME WINDOW ASSEMBLY RUW LH	1	EA
12	<a href="#">998566557</a>	GUIDE CHANNEL RUW AL 47007530X24.5	1	EA
13	095066403	GUIDE CHANNEL MOUNTING RUW 47007531X24.5	1	EA
14	<a href="#">084024422</a>	COVER LOWER AL .102X3.43X28.73 DL	1	EA
15	095024495	COVER PLATE DLS AL .102X2.25X12.23	1	EA
16	175019400	PANEL LINER AL .07X23.46X45.35 DLH	1	EA
17	177019403	PANEL LINER AL .102X10.13X49.11 DLH	1	EA
18	175019401	PANEL AL .07X19.48X43.68 RH	1	EA
19	175019402	BRACKET AL .102X6X8.1	1	EA
20	<a href="#">47007522</a>	REPLACEMENT WINDOW HANDLE	1	EA





ITEM #	DESCRIPTION	QTY	UNIT	PART #
1	HANGER ASSEMBLY	1	EA	<a href="#">088070257</a>
2	BEARING ASSEMBLY ONLY	4	PR	<a href="#">47006595</a>
3	BULKHEAD DOOR ASSEMBLY	1	EA	207070201
4	WEAR STRIP BHD	1	EA	<a href="#">088070524</a>
5	LATCH FINGER PULL	1	EA	<a href="#">1113046</a>
6	CABLE BULKHEAD	1	EA	<a href="#">1113600</a>
7	GRAB HANDLE	1	EA	<a href="#">90187300</a>
8	TRACK DOOR ASSEMBLY	1	EA	<a href="#">088070256</a>
9	CHANNEL BHD UPPER	1	EA	175070407
10	ANGLE MOUNTING - DOOR STOP	1	EA	<a href="#">82140014</a>
11	RUBBER BUMPER - DOOR STOP	1	EA	<a href="#">1107086</a>
12	SEAL BRUSH TYPE B x83.9	1	EA	<a href="#">44008050</a>
13	HEADER BHD ZEE	1	EA	207070405
14	PANEL BHD LH	1	EA	175070403
15	PANEL BHD RH	1	EA	207070403
16	CARPET GREY	18.5	FT	<a href="#">47009600</a>
17	JAMB AL 450326X76.44	1	EA	207070406
18	PLATE MOUNTING LATCH	1	EA	<a href="#">92537309</a>
19	PLATE FILLER UPPER RH	1	EA	175070405
21	DOOR CHOCK NYLON	1	EA	<a href="#">45200208</a>
23	GUIDE DOOR FLOOR	1	EA	<a href="#">96770316</a>
24	STIFFENER BULKHEAD	1	EA	<a href="#">083069404</a>
25	STRIKER WELDMENT	1	EA	<a href="#">98770202</a>
26	SPACER LATCH	1	EA	<a href="#">197147406</a>
27	WIRING GUARD	1	EA	207070407
28	WIRING GUARD	1	EA	207070408
29	STRIKER LATCH	1	EA	<a href="#">197147408</a>
30	U-BOLT STRIKER	1	EA	<a href="#">40300931</a>
31	LATCH ASSEMBLY KEYLESS	1	EA	207147202
32				

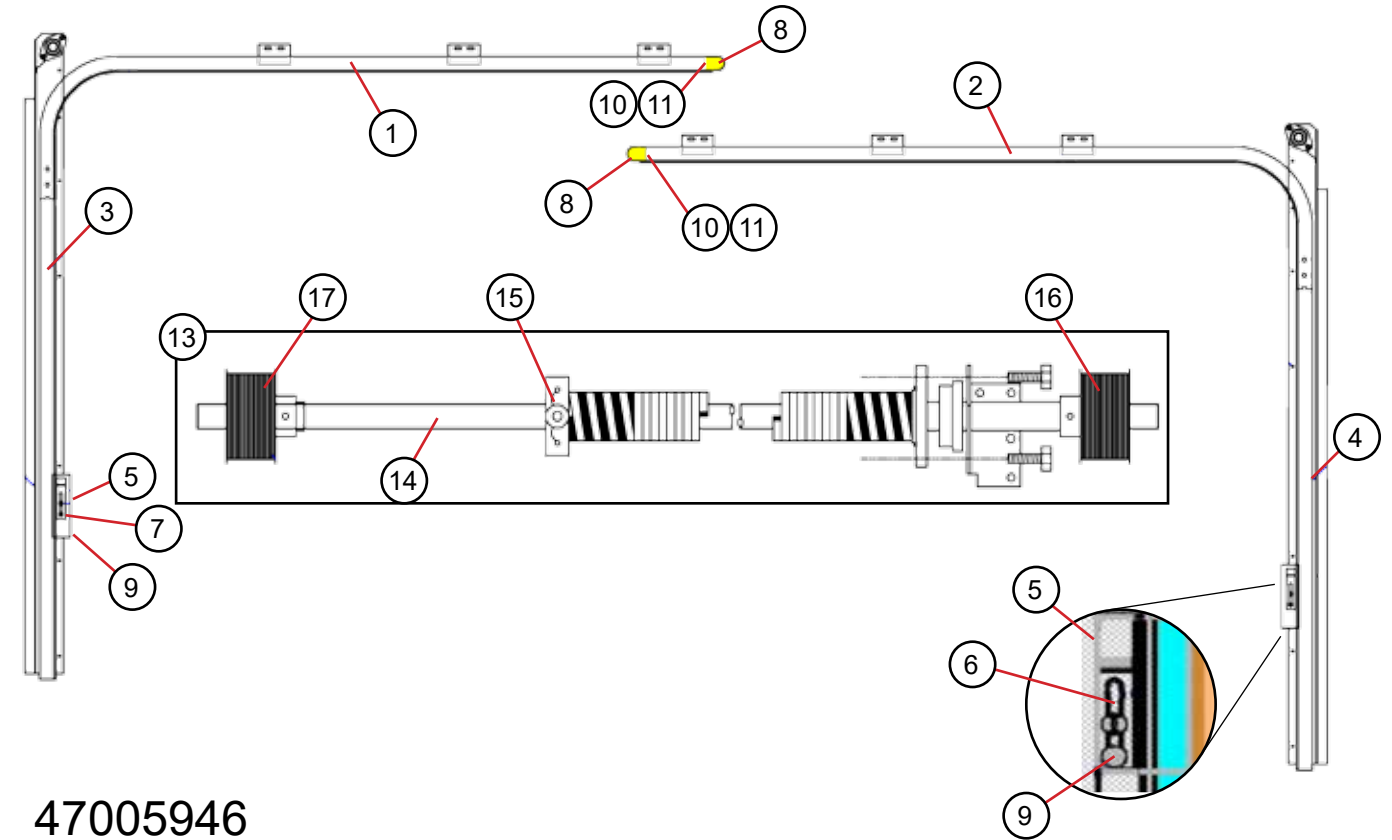
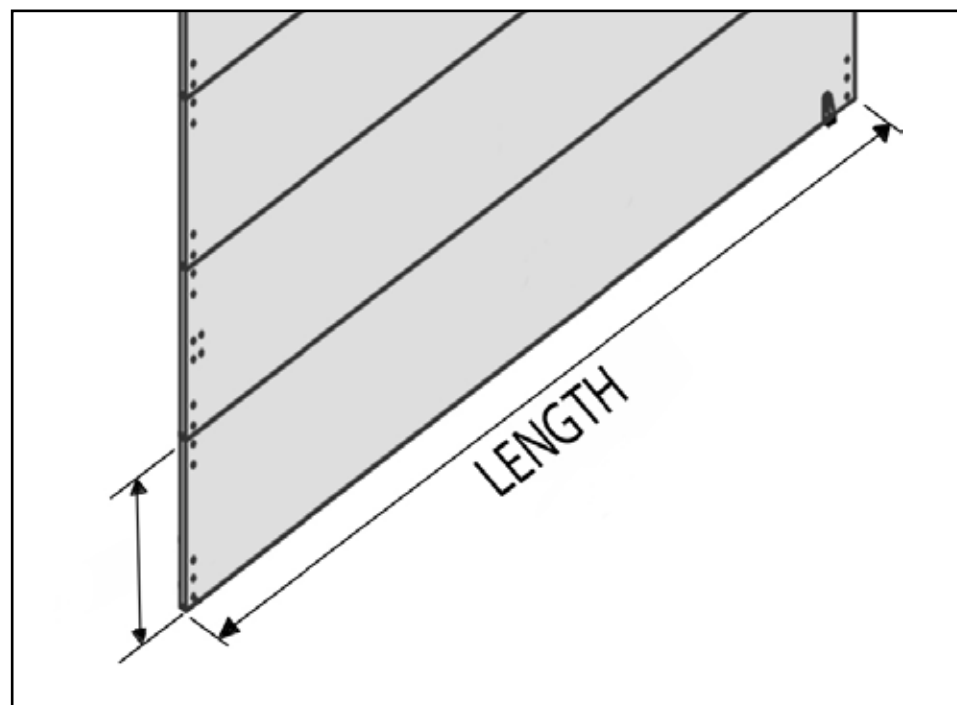




ROLL-UP DOOR SERIAL NUMBER LOCATION

WHEN ORDERING PARTS FOR ROLL-UP DOORS, PLEASE PROVIDE THE FOLLOWING INFORMATION. THE SERIAL NUMBER LOCATED ON THE INTERIOR TOP PANEL ROADSIDE EDGE. THE LENGTH AND HEIGHT OF THE DOOR PANEL(S) TO BE ORDERED.

IN THE EVENT OF A DAMAGED, UN-READABLE OR MISSING SERIAL NUMBER, PLEASE TRY TO PROVIDE THE COMPOSITION DETAILS OF THE DOOR PANEL. (PLASTIC PANEL (WEATHERTITE), ALUMINUM CLAD, PLYWOOD, ETC.)

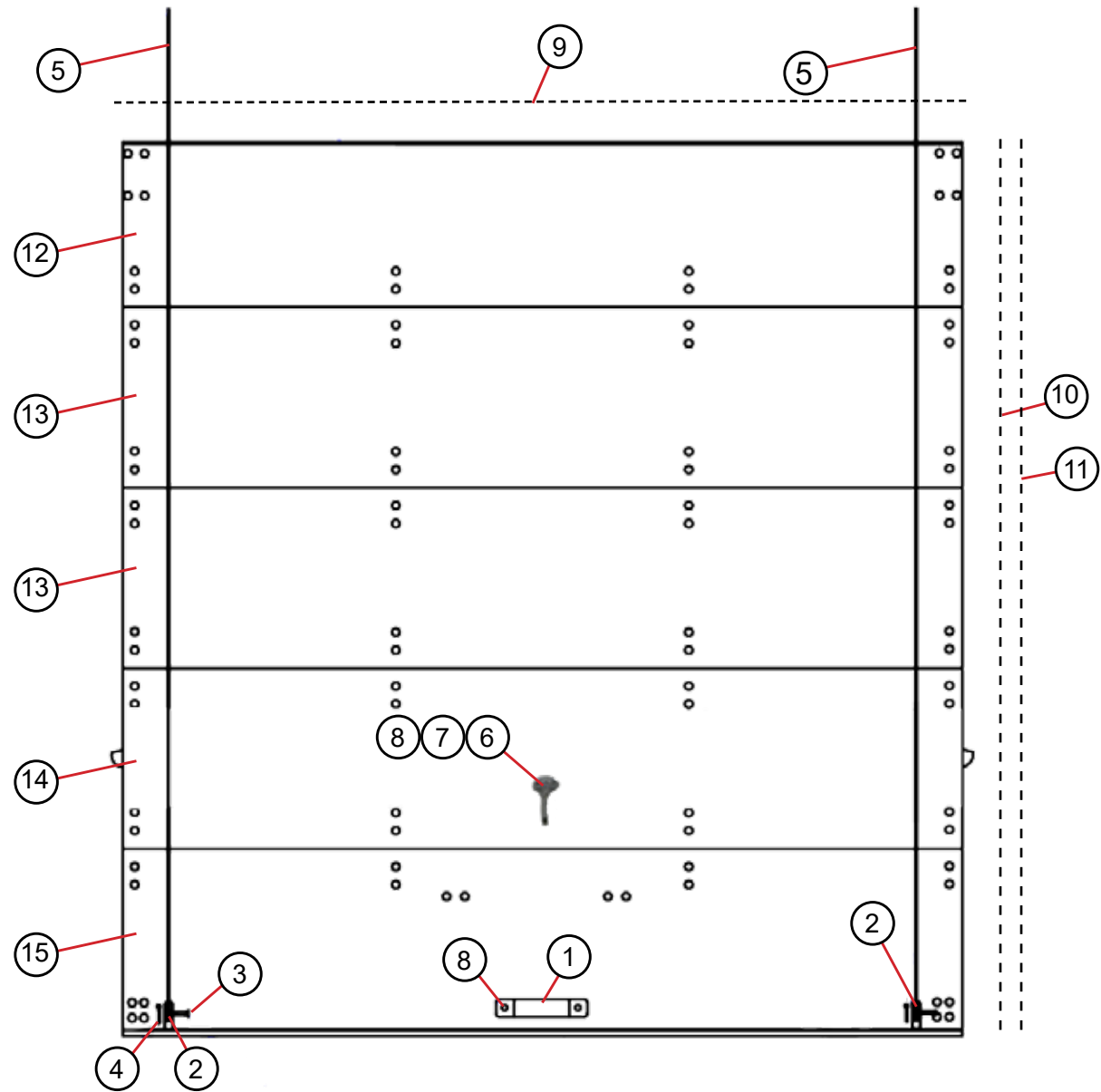


47005946

ITEM#	PART#	DESCRIPTION
1	<a href="#">47106850</a>	HORIZONTAL TRACK ASSEMBLY - CURBSIDE
2	<a href="#">47106853</a>	HORIZONTAL TRACK ASSEMBLY - ROADSIDE
3	<a href="#">47106854</a>	VERTICAL TRACK ASSEMBLY - CURBSIDE
4	<a href="#">47106855</a>	VERTICAL TRACK ASSEMBLY - ROADSIDE
5	<a href="#">47106740</a>	LOCK CATCH
6	<a href="#">47106758</a>	CATCH MOUNTING PLATE - LH
7	<a href="#">47106759</a>	CATCH MOUNTING PLATE - RH
8	<a href="#">47106787</a>	2" YELLOW HEAD PROTECTOR
9	<a href="#">47106744</a>	5/16-18 KEEP NUT
10	<a href="#">47106746</a>	1/4-20 KEEP NUT
11	<a href="#">47106788</a>	1/4-20 X 2-1/2 HEX HEAD BOLT

**Counterbalance Assembly**

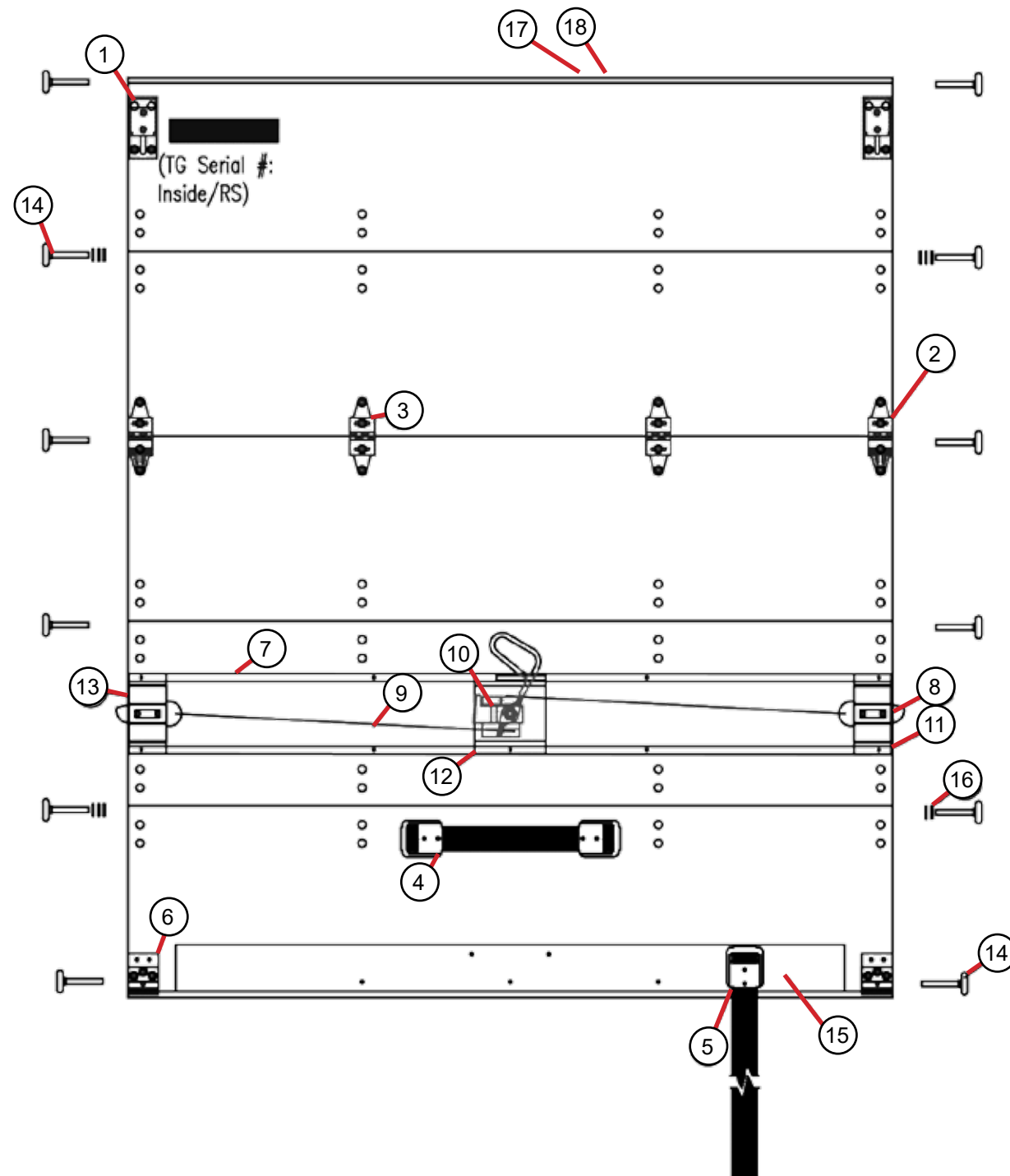
13	<a href="#">47106857</a>	COUNTERBALANCE ASSEMBLY
14	47106862	COUNTERBALANCE SHAFT - 62"
15	<a href="#">47106858</a>	SPRING W. PLUGS .192 SQ WIRE X 2.50 X 27.50 (RH)
16	<a href="#">47106753</a>	CABLE DRUM LH (HEX HEAD SET SCREWS)
17	<a href="#">47106754</a>	CABLE DRUM RH (HEX HEAD SET SCREWS)



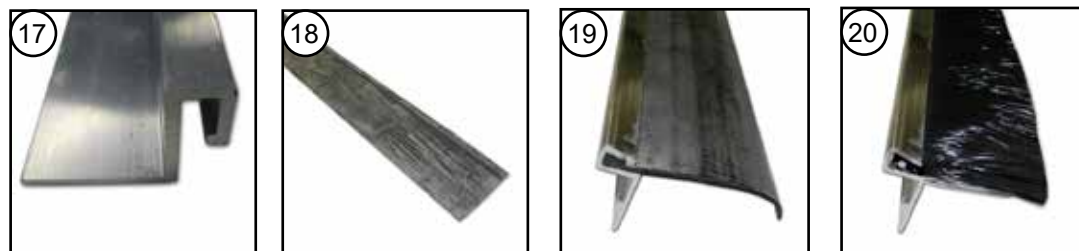
ITEM #	PART #	DESCRIPTION
1	<a href="#">47106796</a>	LIFT HANDLE - BLACK
2	<a href="#">47106762</a>	BRACKET CABLE ANCHOR
3	<a href="#">47106706</a>	PIN CABLE ANCHOR BRACKET
4	<a href="#">47106719</a>	COTTER PIN
5	<a href="#">47106727</a>	CABLE SS 95" METAL EYE
6	<a href="#">47106774</a>	L-HANDLE, NON-KEYED
7	<a href="#">47106783</a>	10-24 X 1" SS SCREW
8	<a href="#">47106784</a>	10-24 SS NYLOK NUT
9	<a href="#">47000804</a>	SEAL - HEADER RUBBER BELTED 60" (Mounted to Vehicle)
10	<a href="#">47000805</a>	SEAL - SIDE RUBBER BELTED 74.125"
11	<a href="#">47000803</a>	SEAL - SIDE BRUSH TYPE 1.5" X 75.375"
12	<a href="#">47106852</a>	1/4" COMPOSITE PANEL TOP
13	<a href="#">47106851</a>	1/4" COMPOSITE PANEL INTERMEDIATE X2
14	<a href="#">47106849</a>	1/4" COMPOSITE LATCH PANEL
15	<a href="#">47106848</a>	1/4" COMPOSITE PANEL BOTTOM

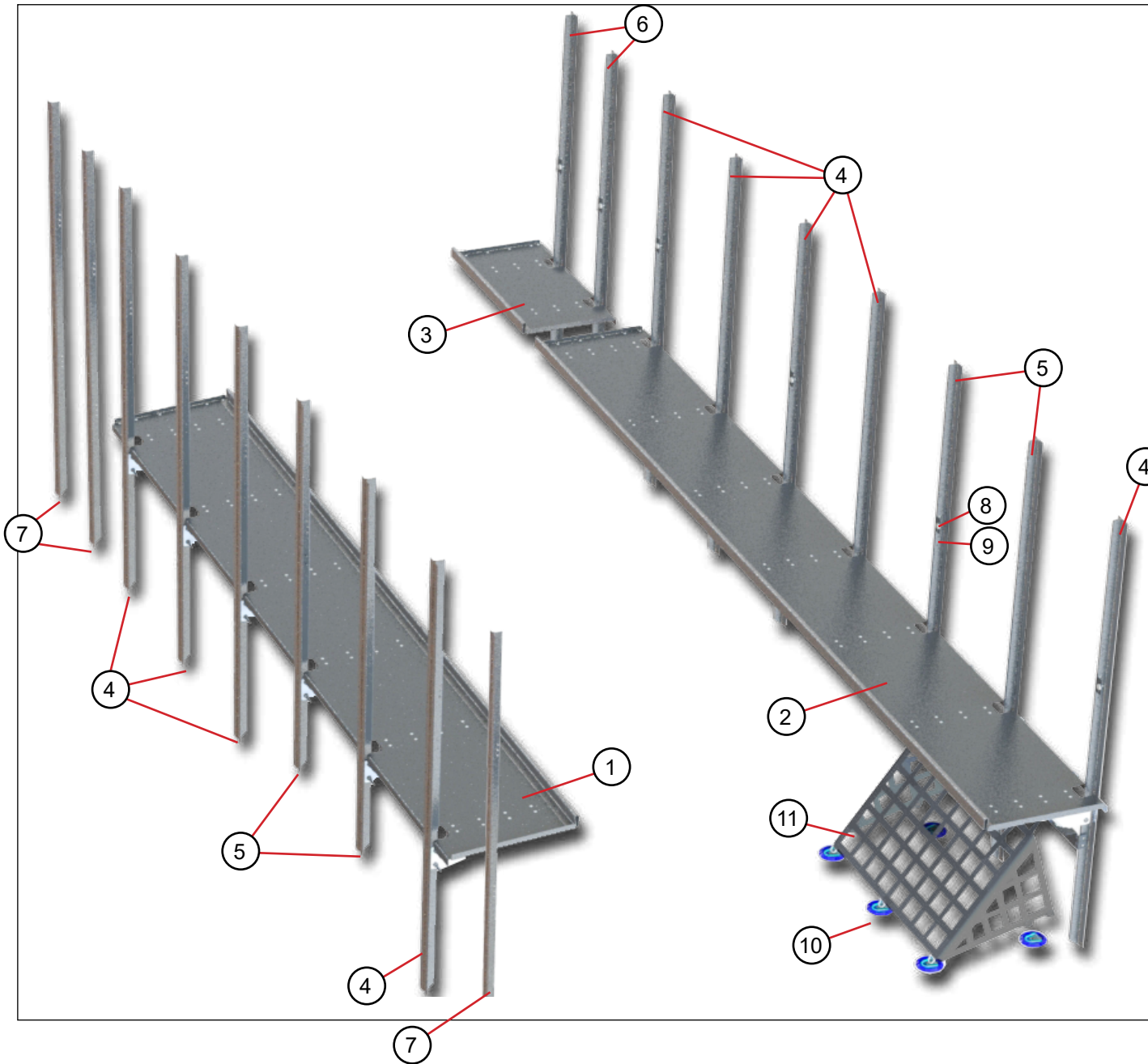






ITEM#	PART#	DESCRIPTION
1	<a href="#">47106710</a>	TOP CLOSURE COMPLETE
2	<a href="#">47106797</a>	END HINGE
3	<a href="#">47106731</a>	CENTER HINGE
4	<a href="#">47106837</a>	12" PULL STRAP, NO LOOP - 2 BLK RETAINERS
5	<a href="#">47106802</a>	60" PULL STRAP, NO LOOP
6	<a href="#">47106764</a>	BOTTOM ROLLER BRACKET ASSM, 2" ROLLER
7	<a href="#">47106847</a>	CABLE COVER W/ STUDS - 62" LENGTH
8	<a href="#">47106717</a>	2 PT END LATCH - RS
9	<a href="#">47106860</a>	CABLE ASSEMBLY, 2 PT LOCK W/ 2 STOPS & WASHER
10	<a href="#">47106891</a>	2-PT CENTER CONTROL WITH D HANDLE
11	<a href="#">47106836</a>	LATCH BASE END - .91" OFF, PVC/WOOD/13MM COMP, 2" TRACK
12	<a href="#">47106767</a>	LATCH BASE CENTER - .91" OFF, PVC/WOOD/13MM COMP, 2" TRACK
13	<a href="#">47106716</a>	2 PT END LATCH - CS
14	<a href="#">47106765</a>	2" HD SOLID STEEL ROLLER
15	<a href="#">47106861</a>	BLACK 56" LONG BOTTOM ANGLE FOR .25" COMPOSITE W/ INSIDE PS
16	<a href="#">47106718</a>	SPACER WASHER @ ROLLER
17	<a href="#">47106829</a>	TOP PANEL SEAL RETAINER SS
18	<a href="#">47106830</a>	TOP PANEL RUBBER SEAL
19	<a href="#">47106685</a>	HEADER SEAL ASSEMBLY (RETAINER AND RUBBER SEAL 96")
20	<a href="#">47006894</a>	PANEL TOP SEAL ASSEMBLY (RETAINER AND BRUSH SEAL - ON DOOR)
NS	<a href="#">47106724</a>	5/8" STAINLESS STEEL RIVET
NS	<a href="#">47106725</a>	3/4" STAINLESS STEEL RIVET
NS	<a href="#">47106726</a>	7/8" STAINLESS STEEL RIVET
NS	<a href="#">47106720</a>	11/16" ALUMINUM BUCK RIVET
NS	<a href="#">47106721</a>	13/16" ALUMINUM BUCK RIVET

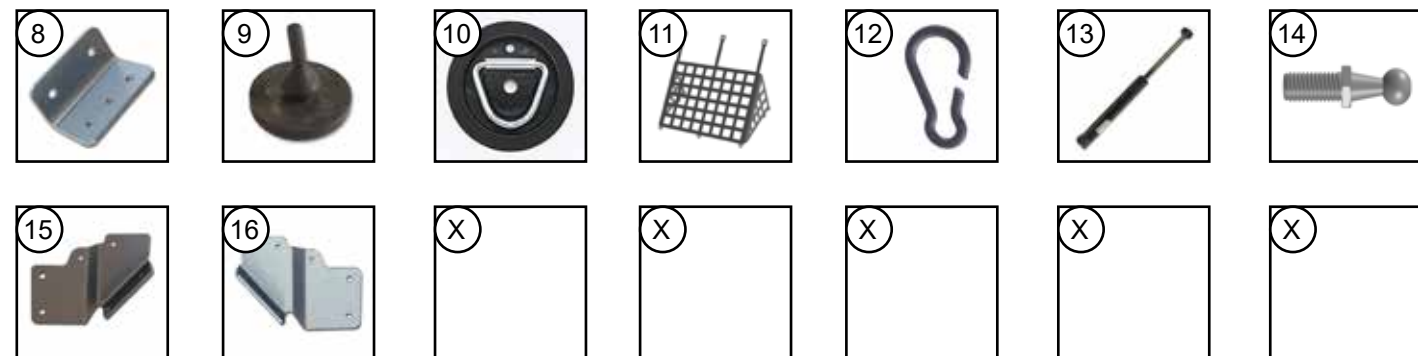




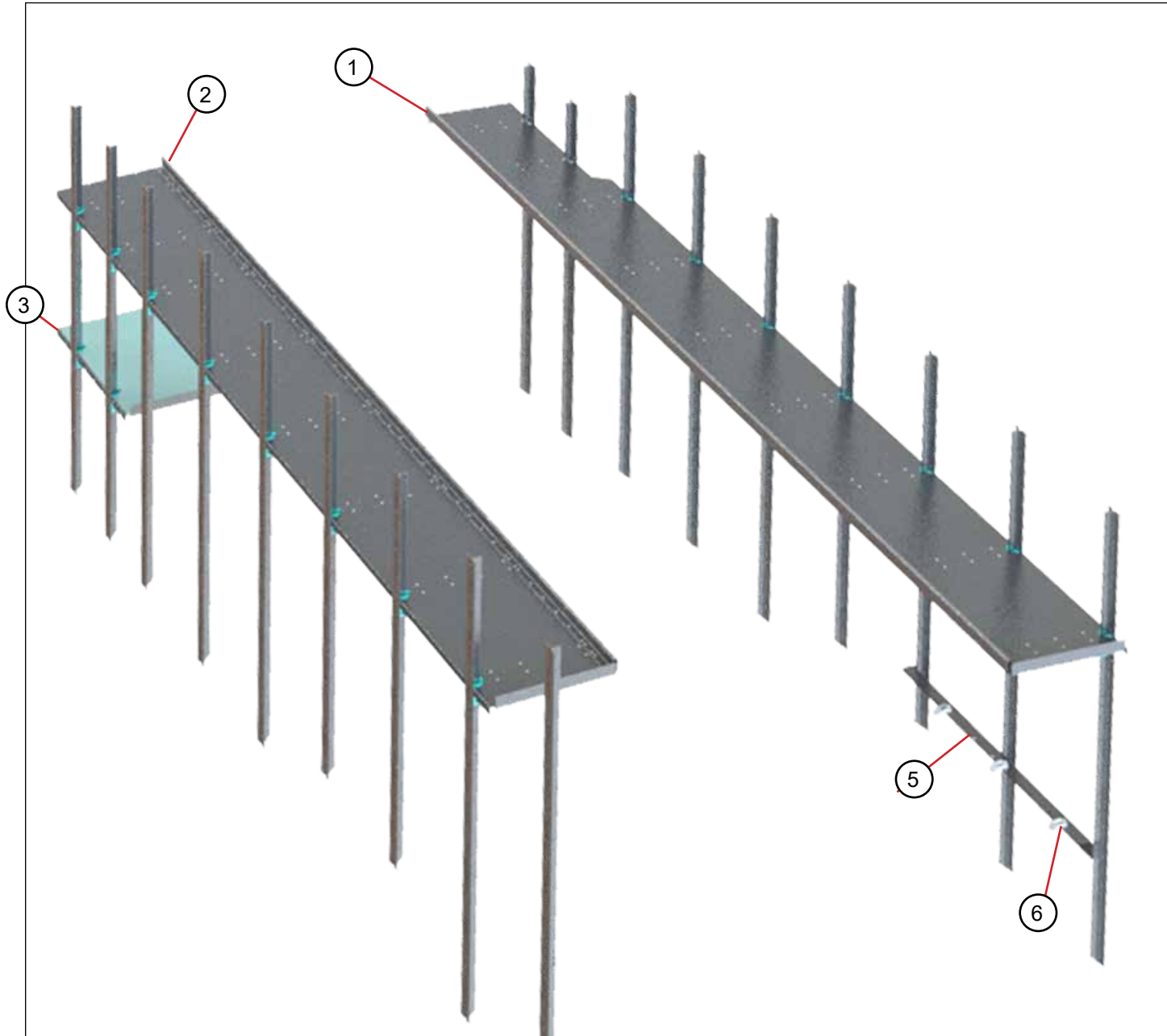
ITEM #	PART #	DESCRIPTION	QTY.	UNIT
1	200105201	SHELF ASSEMBLY FOLDING L/R 133" E-450	1	EA
2	200105200	SHELF ASSEMBLY FOLDING L/R 155" E-450	1	EA
1	200105200	SHELF ASSEMBLY FOLDING L/R 155" F-59	1	EA
2	200105202	SHELF ASSEMBLY FOLDING L/R 179" F-59	1	EA
3	<a href="#">200105203</a>	SHELF ASSEMBLY FOLDING @ D/POCKET L/R	1	EA
4	205048402	STIFFENER X75.25"	9	EA
5	205048403	STIFFENER @ WHEEL BOX X65.75"	4	EA
6	205048404	STIFFENER @ DOOR POCKET X66.75"	2	EA
7	205048406	STIFFENER X75.25"	3	EA
8	<a href="#">150106410</a>	ANGLE BUMPER	7	EA
9	<a href="#">1107102</a>	PLUG BUMPER D/R	7	EA
10	<a href="#">47006020</a>	TIE DOWN RING	5	EA
11	<a href="#">47009297</a>	CARGO NET BLACK	1	EA
12	47009294	CONNECTOR LINK	5	EA

**SHELF HARDWARE @ EACH STIFFENER**

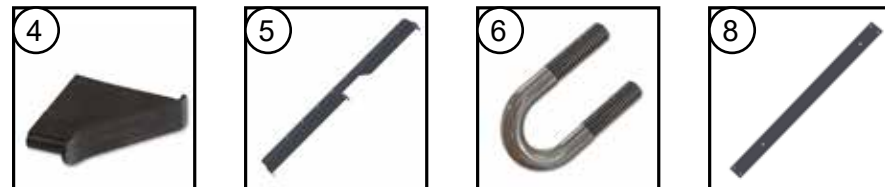
13	<a href="#">126106426</a>	GAS SPRING W/O LOCK 60LB 8.7/6.2	1	EA
14	<a href="#">126106427</a>	BALL STUD 10X.31-18 X1.6OA	2	EA
15	<a href="#">190105411</a>	SHELF BRACKET	1	EA
16	<a href="#">190105412</a>	SHELF BRACKET	1	EA

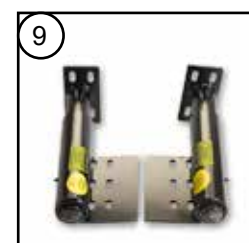
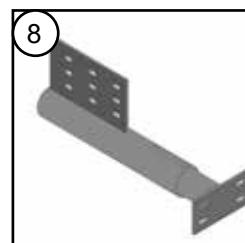
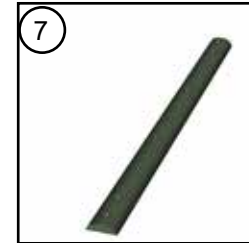
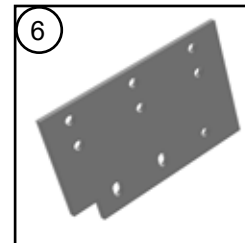
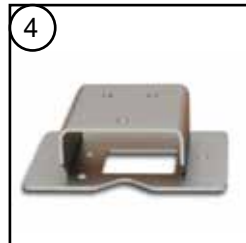
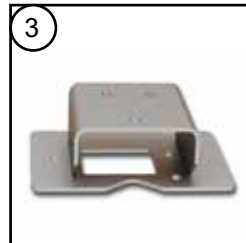
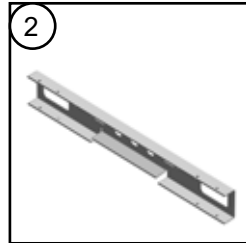
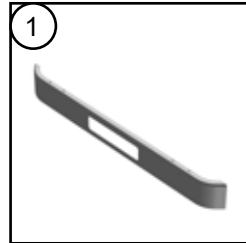
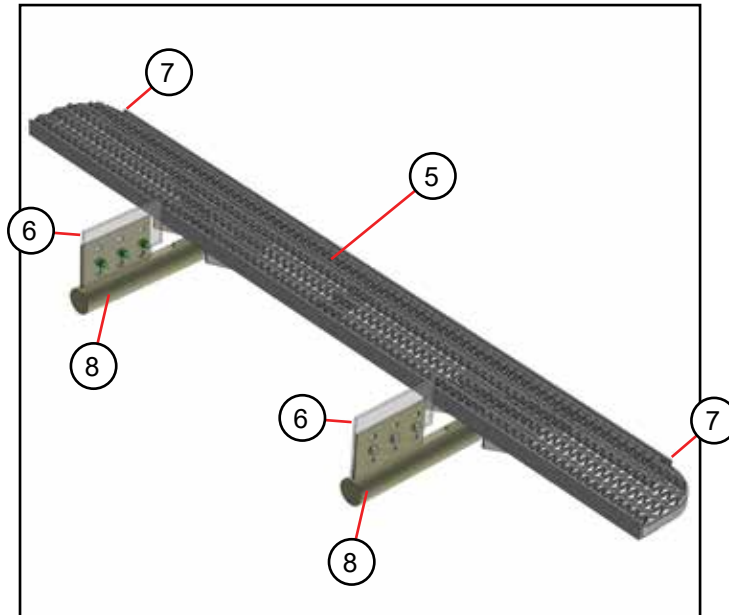
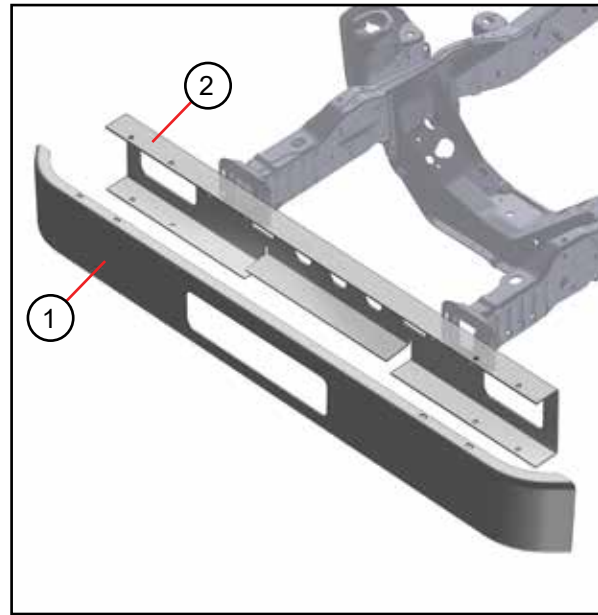




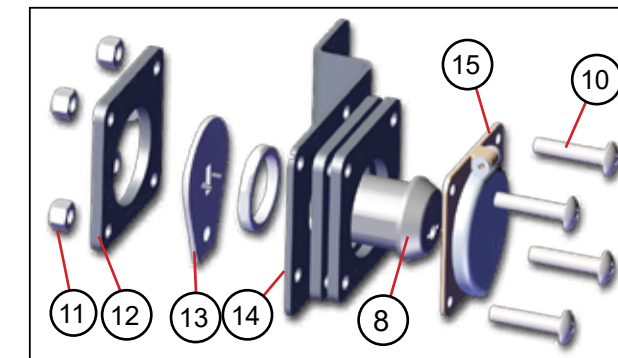
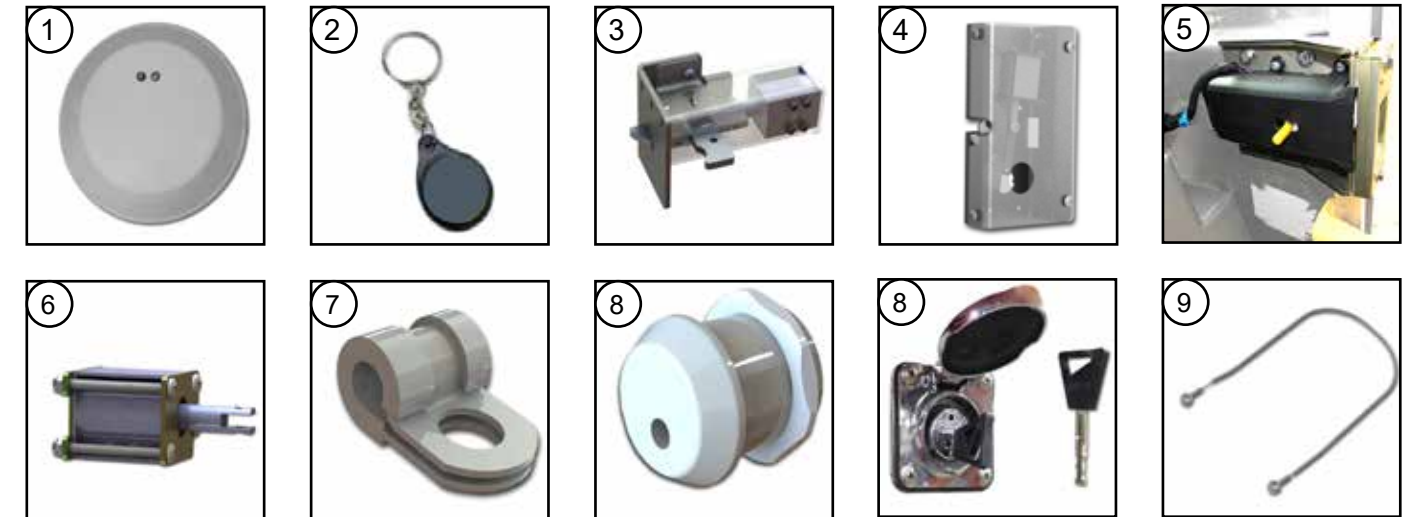


ITEM #	PART #	DESCRIPTION	QTY.	UNIT
1	165105204	SHELF ASSEMBLY TOP FIXED RH 188.13" E-450	1	EA
2	165105203	SHELF ASSEMBLY TOP FIXED LH 166.38" E-450	1	EA
1	175105204	SHELF ASSEMBLY TOP FIXED RH 213.38" F-59	1	EA
2	175105203	SHELF ASSEMBLY TOP FIXED LH 190.38" F-59	1	EA
3	165105205	SHELF ASSEMBLY LOWER FIXED LH	1	EA
4	<a href="#">1106157</a>	PLUG BRACKET SHELF PLASTIC	19	EA
5	150127457	CARGO NET SUPPORT	1	EA
6	47009298	U-BOLT .25-20 X 1.2"	3	EA
7	47012413	WIRE BASKET (OPTIONAL)	1	EA
8	150127459	SUPPORT WIRE BASKET (OPTIONAL)	2	EA

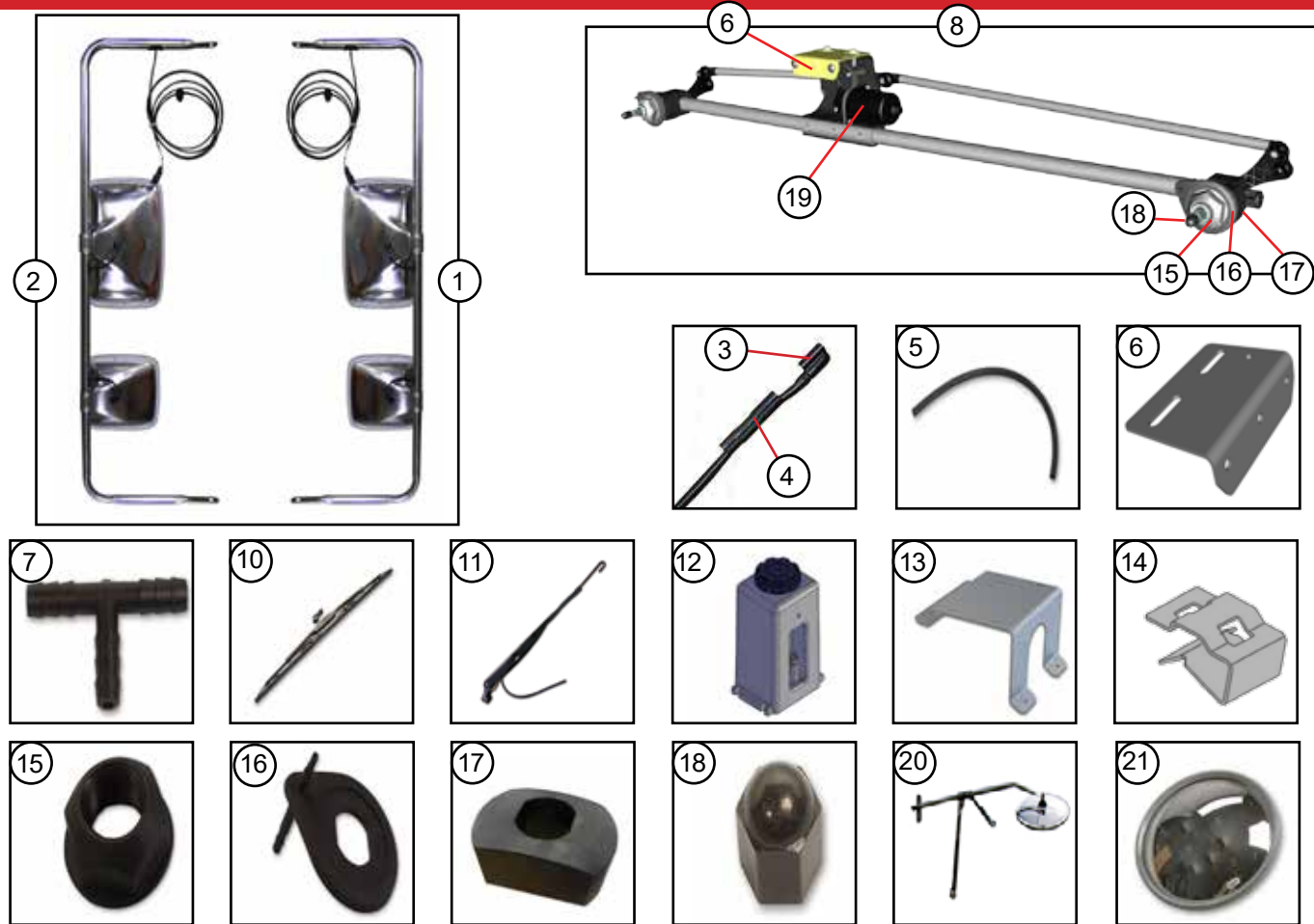




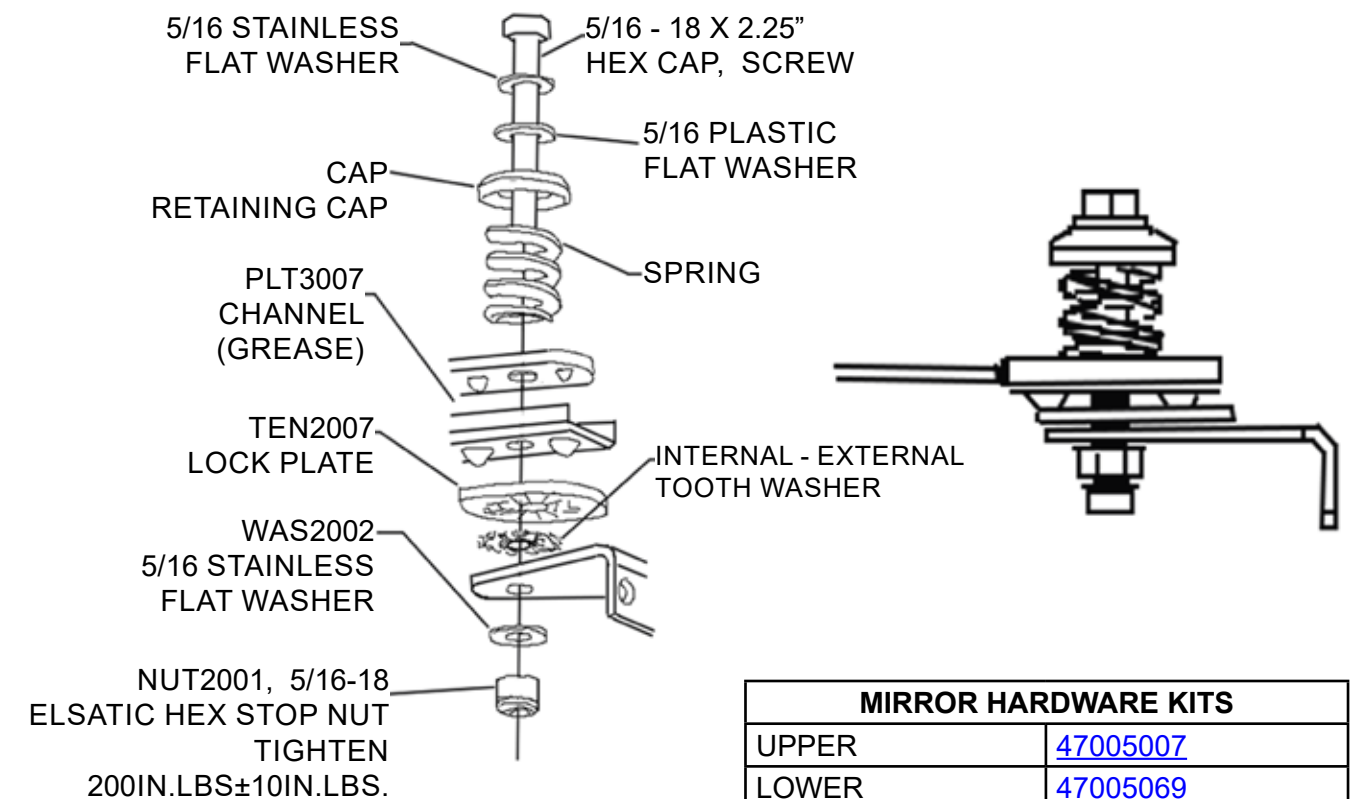
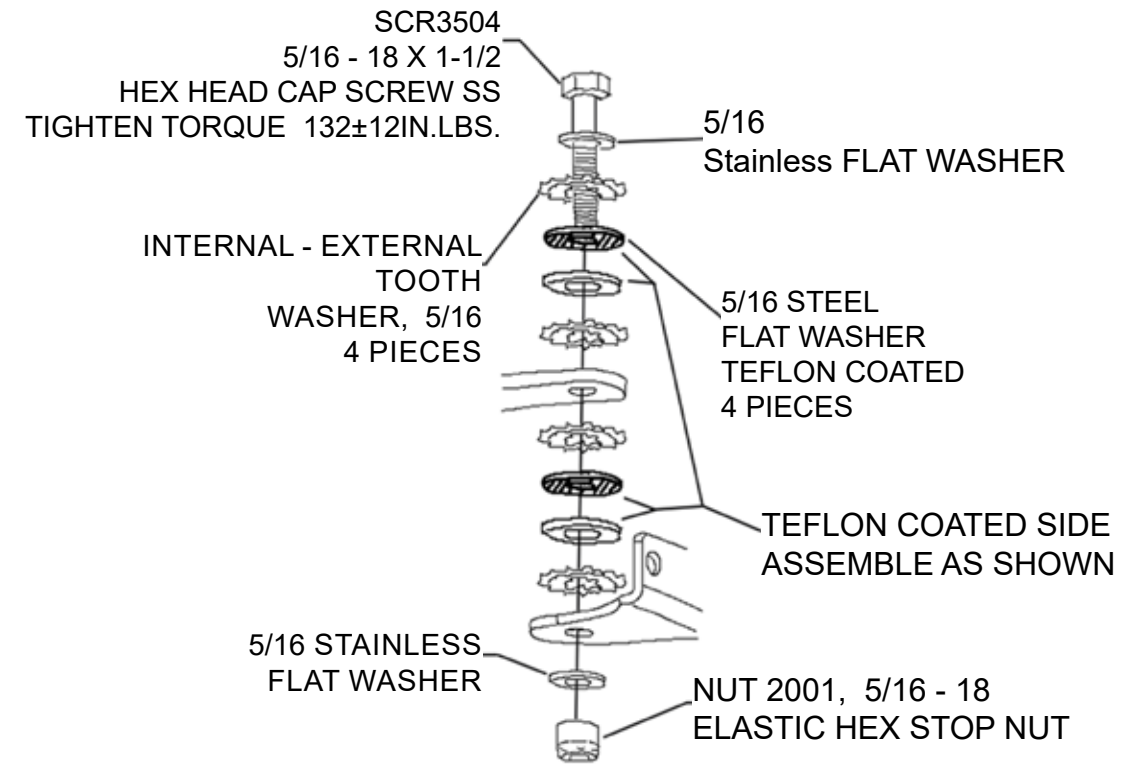
ITEM #	PART #	DESCRIPTION	QTY.	UNIT
<b>FRONT BUMPER</b>				
1	<a href="#">47004269</a>	BUMPER FRONT STEEL 93W 9IN	1	EA
2	<a href="#">165008402</a>	BRACE BUMPER FRONT STL .7X15.22X73	1	EA
3	<a href="#">177008200</a>	BUMPER BRACKET LH F-59 ONLY	1	EA
4	<a href="#">177008201</a>	BUMPER BRACKET RH F-59 ONLY	1	EA
<b>REAR BUMPER</b>				
5	<a href="#">47004270</a>	BUMPER REAR 93W 10" DEEP E-450	1	EA
5	<a href="#">47004280</a>	BUMPER REAR 93W 10" DEEP F-59 (SHOCK MOUNTED)	1	EA
6	<a href="#">175007403</a>	PLATE HANGER STEEL .312X7X11 E-450	2	EA
7	<a href="#">006370401</a>	PROTECTIVE RUBBER BUMPER X18" E-450	2	EA
8	<a href="#">003057201</a>	SHOCK BUMPER E-450	2	EA
9	<a href="#">003057200</a>	SHOCK BUMPER F-59 (PAIR)	2	EA



ITEM #	PART #	DESCRIPTION	QTY.	UNIT
1	<a href="#">46029066</a>	RFID READER W/ 3 FOBS (@ CURBSIDE DOOR)	1	EA
1	<a href="#">46029067</a>	RFID READER (@ BULKHEAD & REAR)	2	EA
2	<a href="#">46029068</a>	REPLACEMENT KEY TAG	-	EA
3	<a href="#">207147200</a>	LATCH ASSEMBLY @ REAR DOOR	1	EA
4	<a href="#">207147202</a>	LATCH ASSEMBLY @ BULKHEAD	1	EA
5	<a href="#">46029042</a>	LOCK ASSEMBLY @ CURBSIDE DOOR	1	EA
6	<a href="#">137147400</a>	SOLENOID (BULKHEAD & REAR)	1	EA
6	<a href="#">46032317</a>	SOLENOID W/ SPRING (CURBSIDE DOOR)	1	EA
7	<a href="#">137147428</a>	CLAMP	2	EA
8	<a href="#">47000993</a>	CYLINDER LOCK W/ 2 KEYS (REAR LOCK OVERRIDE)	1	EA
9	<a href="#">137147414</a>	CABLE	1	EA
10	<a href="#">1117835</a>	SCREW STAINLESS #10-24 X2.5"	4	EA
11	<a href="#">1103354</a>	NUT STAINLESS #10-24	4	EA
12	<a href="#">150127465</a>	SHIM	3	EA
13	<a href="#">40900011</a>	STEEL CAM	1	EA
14	<a href="#">207147402</a>	BRACKET MOUNTING	1	EA
15	<a href="#">136060401</a>	RECEPTICAL COVER	1	EA

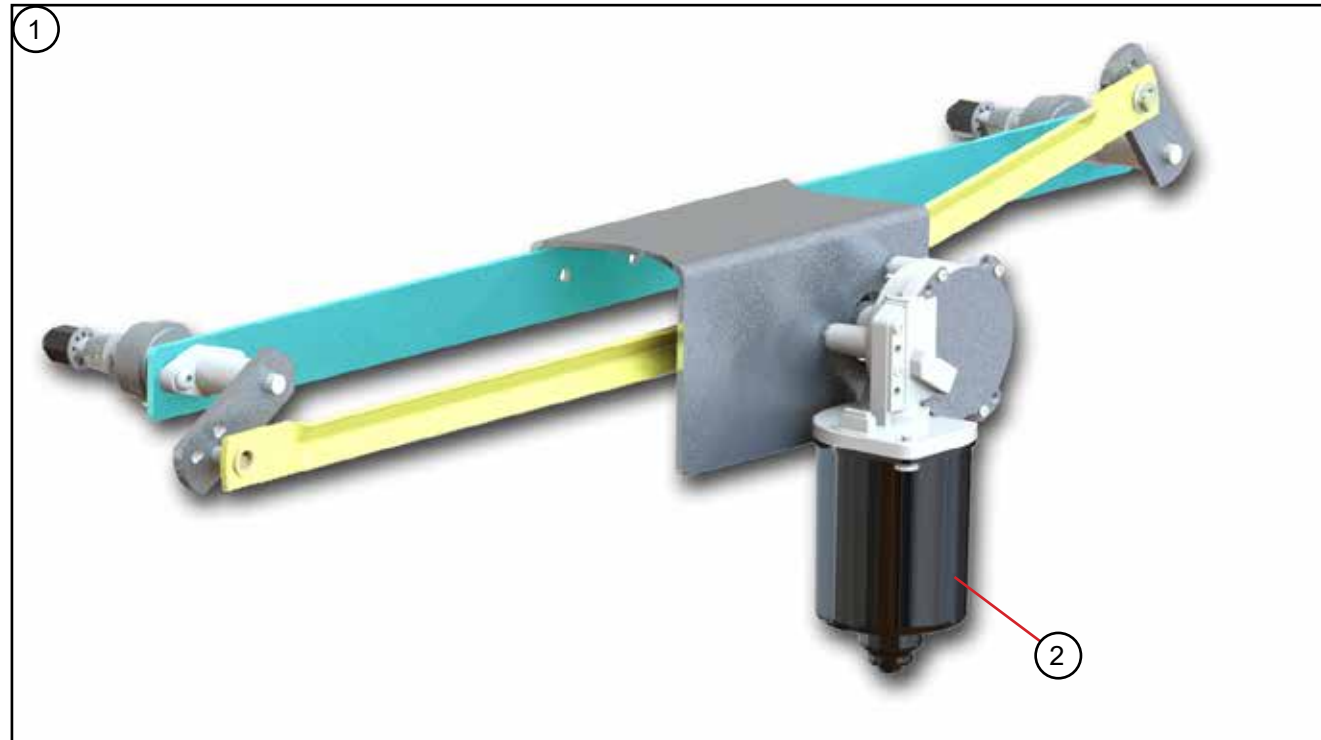


ITEM #	PART #	DESCRIPTION	QTY.	UNIT
1	<a href="#">47006169</a>	MIRROR ASSEMBLY ROADSIDE HEATED	1	EA
2	<a href="#">47006170</a>	MIRROR ASSEMBLY CURBSIDE HEATED	1	EA
3	<a href="#">47004271</a>	WET KIT FOR WIPER ARM (SPRAY NOZZLE & HOSE)	1	EA
4	<a href="#">47004272</a>	RETAINER CLIP FOR HOSE 2"	1	EA
5	<a href="#">1107122</a>	HOSE .188 ID WSW	12	FT
6	<a href="#">083055454</a>	BRACKET WIPER MOTOR	1	EA
7	<a href="#">1101694</a>	TEE WSWA U/T	1	EA
8	<a href="#">47004188</a>	WIPER SYSTEM TBLR 2 PIVOT (HIGH MOUNT)	1	EA
10	<a href="#">47004134</a>	BLADE 24IN BLACK	1	EA
11	<a href="#">47004206</a>	ARM WSW WET 22IN RADIAL BLACK	1	EA
12	47005855	RESERVOIR W/PUMP WINDSHIELD WASHER	1	EA
13	<a href="#">155063401</a>	BRACKET MOUNTING RSVR AL .25X14.9X17.58	1	EA
14	<a href="#">46021115</a>	CLIP BODY LARGE PAN	1	EA
15	<a href="#">47005901</a>	NUT	2	EA
16	<a href="#">47005902</a>	PIVOT COVER	2	EA
17	<a href="#">47005903</a>	SPACER	2	EA
18	<a href="#">81600189</a>	ACORN NUT	2	EA
19	<a href="#">47005900</a>	MOTOR WINDSHIELD WIPER	1	EA
20	<a href="#">47005099</a>	MIRROR ASSEMBLY FRONT SIDE VIEW	1	EA
21	<a href="#">47006180</a>	11" ROUND MIRROR ONLY	-	EA



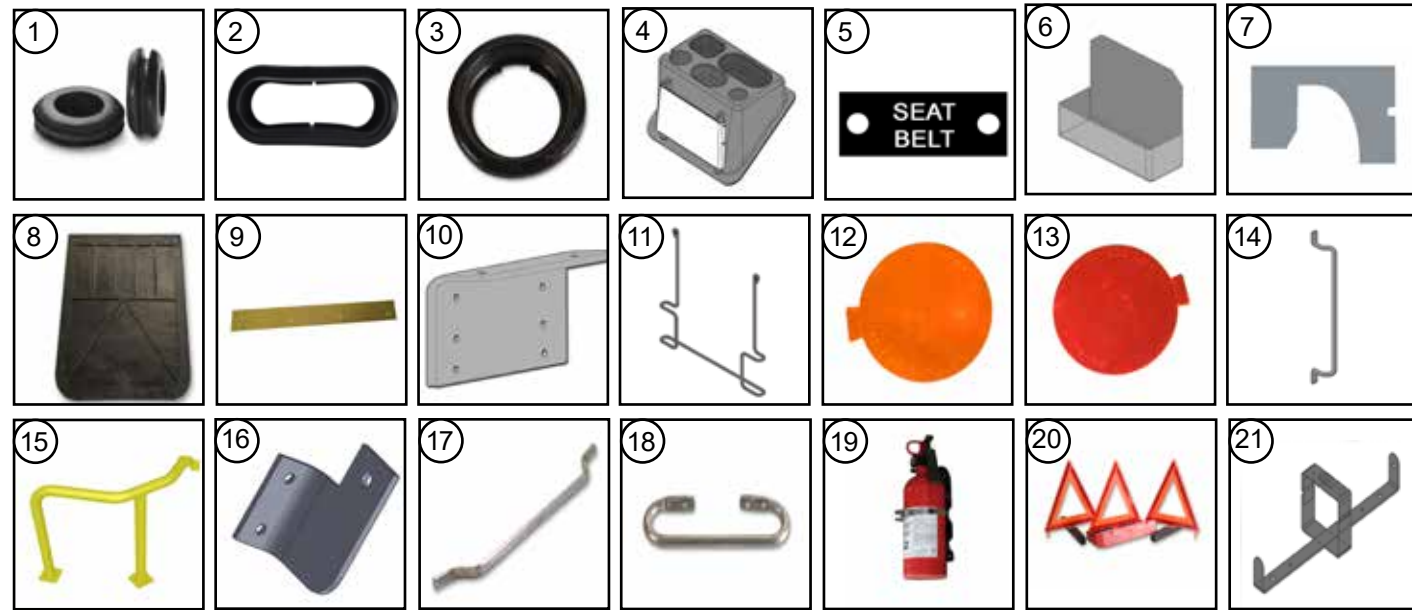
MIRROR HARDWARE KITS	
UPPER	<a href="#">47005007</a>
LOWER	<a href="#">47005069</a>



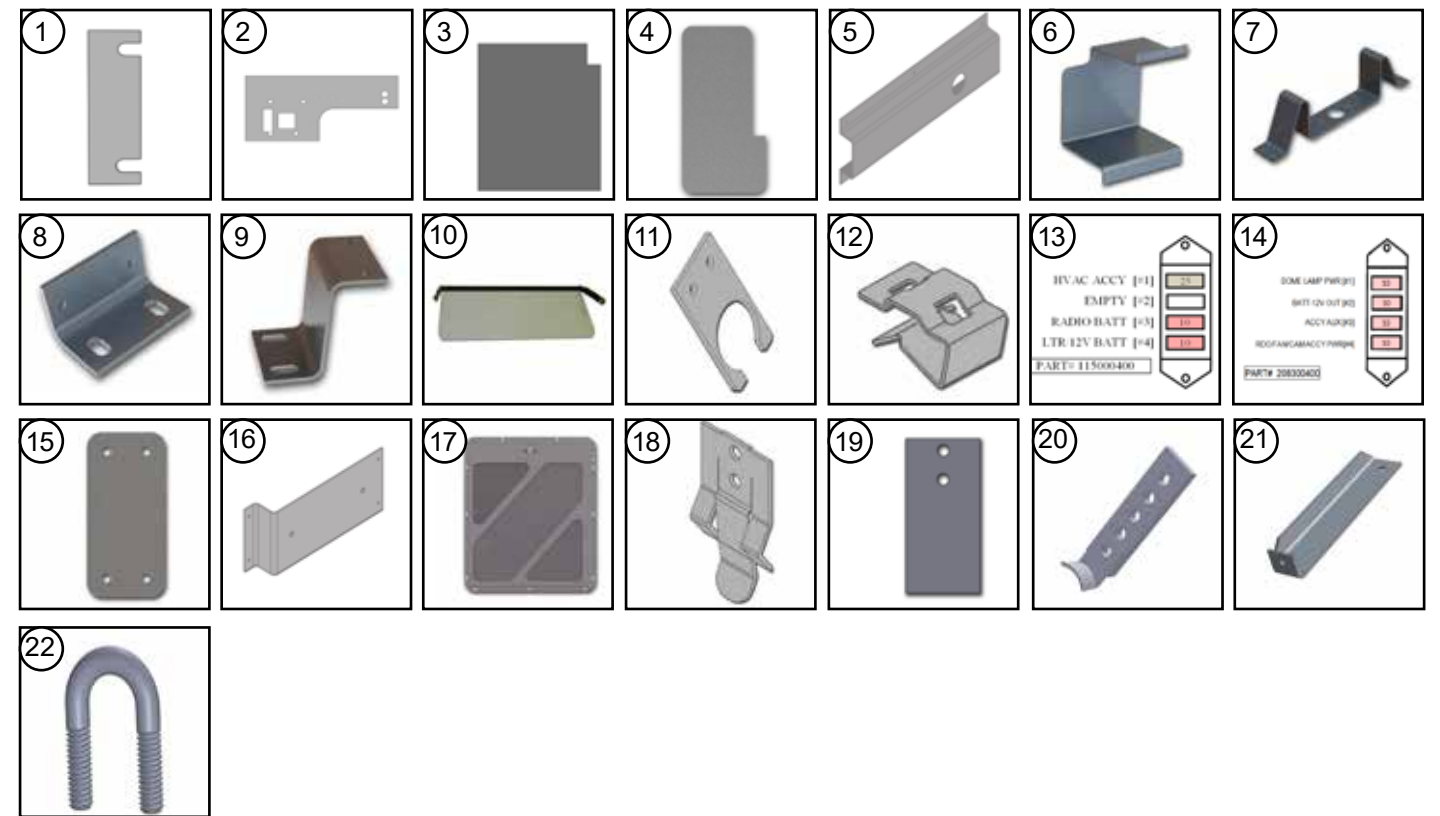


ITEM #	PART #	DESCRIPTION	QTY.	UNIT
1	47004200	WIPER SYSTEM WITH 2 PIVOTS 93/96W	1	EA
2	<a href="#">47004153</a>	MOTOR ASSEMBLY W/ DRV ARM	1	EA
3	<a href="#">47004226</a>	WIPER ARM 19IN KNURL LH 20°	1	EA
4	<a href="#">47004225</a>	WIPER ARM 19IN KNURL RH 20°	1	EA
5	<a href="#">47004134</a>	BLADE WSW 24IN BLACK	2	EA
6	<a href="#">1107122</a>	HOSE .188 ID WSW	12	FT
7	<a href="#">1101694</a>	TEE WSWA U/T	1	EA
8	47004223	WASHER KIT 90 (2X PASS THROUGH FITTINGS)	1	EA
9	<a href="#">81600189</a>	ACORN NUT	2	EA
10	47004271	SPRAY NOZZLE	1	EA
11	<a href="#">47004272</a>	RETAINER CLIP (HOSE)	1	EA





ITEM #	PART #	DESCRIPTION	QTY.	UNIT
1	<a href="#">44000052</a>	GROMMET .688X.125X1	2	EA
2	<a href="#">46004403</a>	GROMMET OBLONG BLACK	2	EA
3	<a href="#">46004402</a>	GROMMET ROUND BLACK 4IN LAMP	4	EA
4	<a href="#">47009653</a>	CENTER CONSOLE (SHOWN WITH FRONT PANEL)	1	EA
-	165127403	FRONT PANEL FOR CENTER CONSOLE	1	EA
5	<a href="#">45200256</a>	LABEL SEAT BELT ALARM	1	EA
6	150107400	HOLDER FIRST AID KIT	1	EA
7	<a href="#">006526401</a>	PANEL SPLASH VINYL .125X19.25X51.6	2	EA
8	<a href="#">1107308</a>	MUD FLAP BLACK NO LOGO 20X24	1	PR
9	<a href="#">7504428</a>	RETAINER MD/FLP AL .125X1.5X20	2	EA
10	<a href="#">80795014</a>	ANGLE RETAINER AL .188X5X20	2	EA
11	<a href="#">47009706</a>	SUPPORT BRACKET MUD FLAPS	2	EA
12	<a href="#">46025018</a>	REFLECTOR 2.88" AMBER	2	EA
13	<a href="#">46025017</a>	REFLECTOR 2.88" RED	4	EA
14	<a href="#">47001084</a>	GRAB HANDLE OFFSET	1	EA
15	<a href="#">47001047</a>	GRAB RAIL POWDER COATED YELLOW (CLIP P/N)	1	EA
16	<a href="#">107005490</a>	MOUNTING CLIP FOR GRAB RAIL	1	EA
17	<a href="#">98150310</a>	GRAB HANDLE AL 450243X26.38	2	EA
18	<a href="#">90187300</a>	GRAB HANDLE .5X15.7 (@ HOOD)	1	EA
19	47009656	FIRE EXTINGUISHER 2.5 LB.	1	EA
20	<a href="#">47009547</a>	TRIANGLE KIT SAFETY	1	EA
21	<a href="#">47009548</a>	BRACKET MOUNTING TRIANGLE KIT	1	EA



ITEM #	PART #	DESCRIPTION	QTY.	UNIT
1	<a href="#">117094402</a>	SHIM - BULKHEAD DOOR	1	EA
2	095116400	INSULATION DASH WALL	1	EA
3	175026400	SPLASH PAN FILLER 45200014X9X9	1	EA
4	198005401	PLATE FILLER @ A-POST	1	EA
5	155127400	GUARD MARKER LAMP AL 450039X16.44	2	EA
6	207147407	GUARD KEYLESS REAR	1	EA
7	140092402	GUARD BACK UP CAMERA	1	EA
8	207094400	BRACKET SWITCH MAGNETIC AL .102X2X2.12	1	EA
9	207094401	BRACKET SWITCH MAGNETIC RUD AL .102X2X5.37	1	EA
10	<a href="#">47005504</a>	SUN VISOR 8X33	2	EA
11	<a href="#">090087401</a>	PLATE FILLER WIRING AL.102X 1.44X2.63	2	EA
12	<a href="#">46021114</a>	CLIP MEDIUM	1	EA
12	<a href="#">46021115</a>	CLIP LARGE	1	EA
13	115000400	LABEL FUSE BLOCK LH	1	EA
14	208300400	LABEL FUSE BLOCK RH	1	EA
15	093084401	PLATE COVER FUSE BOX	1	EA
16	165094400	BRACKET MOUNTING JUNCTION BOX REAR WIRING	1	EA
17	<a href="#">43001402</a>	PLACARD FRAME	4	EA
18	47009300	SPRING CLIP PLACARD	1	EA
19	165119400	BACKER PLATE PLACARD CLIP	1	EA
20	40300929	STRAP HANGER	1	EA
21	165040400	BRACKET HANGER AL .125X2.54X12.04	1	EA
22	40300930	"U" BOLT 3.5"	1	EA



ITEM #	PART #	DESCRIPTION	QTY.	UNIT
1	<a href="#">46000213</a>	HEADLAMP ASSEMBLY	2	EA
2	<a href="#">46000615</a>	LAMP PARK / TURN (GROMMET - <a href="#">46004403</a> x2)	2	EA
3	<a href="#">46002222</a>	LAMP COMBO S/T/T (GROMMET <a href="#">46004402</a> X2)	2	EA
4	<a href="#">46001339</a>	LAMP CLEARANCE MARKER LED AMBER	4	EA
4	<a href="#">46001362</a>	LAMP CLEARANCE MARKER LED AMBER	1	EA
5	<a href="#">46001382</a>	LAMP CLEARANCE MARKER LED AMBER P2 D/FUNC	4	EA
6	<a href="#">46001340</a>	LAMP CLEARANCE MARKER LED RED P2	2	EA
7	<a href="#">46001380</a>	LAMP CLEARANCE MARKER LED RED P2 D/FUNC	3	EA
8	<a href="#">46001384</a>	LAMP CLEARANCE MARKER LED RED PC	2	EA
9	<a href="#">47009642</a>	LAMP LICENSE PLATE CLEAR LED	1	EA
10	<a href="#">46002427</a>	LAMP LED CLEAR STEPWELL	2	EA
11	<a href="#">46002638</a>	LAMP DOME LED CARGO (BRACKET - <a href="#">100092401</a>	2	EA
11	<a href="#">46002650</a>	LAMP DOME LED CAB (BRACKET - <a href="#">090091403</a> )	1	EA
12	<a href="#">46024701</a>	LAMP / BUZZER SEAT BELT ALARM	1	EA
13	<a href="#">46023508</a>	SWITCH ROCKER DOME CAB SPST ON-OFF	1	EA
14	<a href="#">46023603</a>	SWITCH ROCKER DOME CARGO SPDT ON-ON	1	EA
15	<a href="#">46023511</a>	SWITCH ROCKER DOOR UNLOCK SPST	2	EA
16	<a href="#">46029061</a>	SWITCH ROCKER DASH FAN SPDT ON-OFF-ON	1	EA
17	<a href="#">46023611</a>	SWITCH ROCKER BASE ONLY SPDT ON-ON	1	EA
18	<a href="#">46023618</a>	SWITCH ACTUATOR ONLY HEATED MIRRORS	1	EA
19	<a href="#">46023603</a>	SWITCH ROCKER DOME CARGO SPDT ON-ON	1	EA
20	<a href="#">46023310</a>	WIPER SWITCH - INTERMITANT	1	EA
21	<a href="#">47008767</a>	REPLACEMENT KNOB - WIPER SWITCH	-	EA



ITEM #	PART #	DESCRIPTION	QTY.	UNIT
1	<a href="#">48200164</a>	MONITOR BACK UP CAMERA (MOUNT - 48200193)	1	EA
2	<a href="#">46029042</a>	LOCK KEYLESS ENTRY CURBSIDE	1	EA
3	<a href="#">46025620</a>	RADIO AM/ FM/ USB/ MP3 /BT /AUX	1	EA
4	<a href="#">46025590</a>	SPEAKERS 6.5" BLACK	2	EA
5	<a href="#">46025559</a>	ANTENNA TOP/SIDE MOUNT	1	EA
6	<a href="#">46030011</a>	FAN 2 SPEED 270 CFM	1	EA
7	<a href="#">46027623</a>	BOOT E/BLK HEATER WEATHER PACK CHROME RECEPTICLE	1	EA
8	<a href="#">46027624</a>	PLUG 5-15 E/BLK HEATER WEATHER PACK CHROME	1	EA
9	<a href="#">46027625</a>	RECEPTICLE 5-15 FLEX CABLE BLACK	1	EA
10	<a href="#">46027377</a>	RECEPTICLE CHROME FOR BLANKET HEATER CORD	1	EA
11	<a href="#">46025305</a>	SWITCH MAGNETIC REED NORMALLY OPEN	1	EA
11	<a href="#">46025313</a>	SWITCH MAGNETIC REED NORMALLY OPEN	1	EA
12	<a href="#">46032312</a>	TIMER 30 MIN 10A W/O RELAY	1	EA
13	<a href="#">46032336</a>	TIMER 20 SECOND 10A MAX	1	EA
14	48200167	CABLE - CAMERA TO MONITOR	1	EA
15	<a href="#">48200191</a>	CAMERA BACK UP (CAMERA SUN VISOR - 48200192)	1	EA
16				
17				
18				
19				
20				
21				





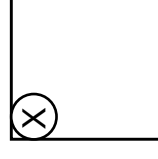
Size	Description	Thread	Lengths													
			.62	3/4"	1"	1-1/4"	1-1/2"	1-3/4"	2"	2-1/2"	3"	3-1/4"	4"			
1/4" Hex Cap Screw	GR5 ZC/RO	20				1117009										
1/4" Hex Cap Screw	GR5 ZC/RoHS	20			1101688								1117818			
1/4" Hex Cap Screw	18-8 Stainless	20		1117816		1117010										
1/4" Hex Cap Screw	ASTM F593C	20			1117819											
5/16" Hex Cap Screw	18-8 Stainless	18			1117045											40300737
5/16" Hex Cap Screw	GR8 ZC/Y	18			1117803											
5/16" Hex Cap Screw	ASTM F593	18			1117803											
5/16" Hex Cap Screw	GR5 ZC/R	16				1117837										
3/8" Hex Cap Screw	GR8 ZC/Y	18			1117049	1117055										
3/8" Hex Cap Screw	GR8 ZC/Y	16			1117843											
3/8" Hex Cap Screw	GR5 ZC/RO	16			47012646											
3/8" Hex Cap Screw	GR5 ZC/RoHS	16	40300056	40300054										051166		
3/8" Hex Cap Screw	ASTM F593C	16				1117805	1117052							05125	1117040	05128
7/16" Hex Cap Screw	GR8 ZC/Y	20				1217000										
1/2" Hex Cap Screw	GR5 ZC/RoHS	13														1117035
1/2" Hex Cap Screw	GR5 ZC/RO	13				1117121								1117050		
1/2" Hex Cap Screw	GR5 ZC/RoHS	13							1117043	1117124	1117043			1117051		
1/2" Hex Cap Screw	GR5 ZC	13							1117036	051461						
5/8" Hex Cap Screw	GR5	11														40300259

	<b>Grade 5</b> Medium Carbon Steel	Zinc Coated
	<b>Grade 8</b> Medium Carbon Alloy Steel	Grade
	<b>Grade 2</b> Low or Medium Carbon Steel	Yellow
		AS9100C ISO 9001:2008
		American Standards Measurements Specifications

Genuine OEM Parts

1.800.233.4823

www.morganolsonparts.com



ZP - ZINC PLATED

Standard	Thread	FIG.	#8	#10	1/4"	5/16	3/8"	.44	1/2"	DIA.	
										1117310	1117838
NYLON LOCKING NUT, HEX	32	1		052266							
NYLON LOCKING NUT, HEX	24	1		40301303							
NYLON LOCKING NUT, HEX ZP	24	3		1117307							
NYLON LOCKING NUT, HEX ZP	20	3			1117310						
NYLON LOCKING NUT, HEX ZP	18	3				1117838					
NYLON LOCKING NUT, HEX ZP	16	3					1117344				
LOCKING NUT HEX FLANGE .44-20 OVAL	20	4						1217003			
NUTSERT EXPANDING NYL .275 SQ	20	5		40900006							
NUT NON LOCKING	24	2		1117303							
NUT NON LOCKING	20	2			1117312						
NUT NON LOCKING	16	2					1117316				
<b>GRADE 5</b>											
NUT STL LK LRG FLG GD5 .31-18	18	4				40100560					
NUT STL HEX LK B ZP .5-13 GR 5	13	1							1117283		
<b>Stainless</b>											
NUT SS LOCKING	32	3	1117347	1117699							
NUT SS LOCKING	24	6		1103354							
NUT SS LOCKING	20	6			1117336						
NUT SS NON LOCKING	20	7			40100044						
NUT SS ACORN LOW CROWN	20	8			40100061						
<b>Specialty</b>											
CHANNEL NUT WITH SPRING 1 X 1-1/4"	20	9			47009988						



MAGNA LOCK	Length													
	Diameter	Fig.	.25	.312	.375	.438	.44	.5	.562	.625	.687	.75	.875	1"
HUCK R6-4	.188	1	1117084	1117084	1117061									
HUCK R8-6	.25	2	1117087											
PROTRUDING HEAD	.25	3			40200304		40200634			40200303				
FLUSH HEAD B6-4	.25	4						40200630						
RIV AL BRAIZER HEAD	.125	5	1117402	1117402	1117404	1117405		1117406						
RIV AL BRAIZER HEAD	.188	5	1117351	1117351	1117353	1117355		1117357	1117359	1117361	1117363	1117365		
RIV AL BRAIZER HEAD	.25	5						1117380					1117390	1117395
RIV AL BRAIZER HEAD MOD	.25	5					40200214	1117409	1117410		1117408			
RIV AL FLAT HEAD	.188	7						1117438						
RIV AL FLAT HEAD POP	.25	7								40200630				
RIV AL DOME HEAD BLIND	.125	10	1117464											
RIV AL DOME HEAD BLIND	.188	10	1117456		1117457			1117458		1117459				
POP AL OPEN END BLIND	.125	6			1117421									
POP AL OPEN END BLIND	.188	6	1117456		1117457					1117459			1117458	
POP CLSD BLACK		8						40200629		40200631				
SNAP FASTNER		9						40900925						
BULB TYPE BLIND w/WASHER	.188	10			40200621			40200501						

Genuine OEM Parts

1.800.233.4823

www.morganolsonparts.com



Standard	Center	FIG.	3/8	1/2	9/16	5/8	3/4"	7/8	1"	1-1/4"	1-3/4"
#10 TYPE B FLAT WASHER ZINC/ROHS	.19	1			1117929						
#10 X 1 FENDER WASHER ZC	.19	2							1117950		
#10 EXTERNAL TOOTH LW ZC	.19	3	1117971								
1/4 EXTERNAL TOOTH LW ZC	1/4	3		1117975							
1/4 TYPE B NARROW FLAT WASHER	1/4	4			1117941						
1/4 USS FLAT WASHER ZC/ROHS	1/4	1					1117953				
1/4 F436 (A325) FLAT WASHER ZC/ROHS	1/4	1				40000047					
.266 X 1 FLAT WASHER .060 THK ZC/RO	1/4	1							1117952		
1/4 USS FLAT WASHER	1/4	1		1117885							
5/16 SPLIT LOCK WASHER ZC/ROHS	5/16	5	1117965								
5/16 USS FLAT WASHER ZC/ROHS	5/16	1						1117955			
3/8 USS FLAT WASHER ZC/ROHS	3/8	1						1117957			
3/8 X 1 FLAT WASHER 1/4 THK NYLON	3/8	6							40000038		
1/2 TYPE B REGULAR FLAT WASHER	1/2	1								40000050	
1/2 TYPE B REGULAR FLAT WASHER ZC	1/2	1								1117945	
1/2 TYPE B WIDE FLAT WASHER ZC/ROHS	1/2	1									1117959
<b>Grade 8</b>											
5/16 USS FLAT WASHER GR 8 ZC/Y	5/16	7						1117937			
3/8 USS FLAT WASHER GR 8 ZC/Y	3/8	7							1117947		
3/8 SAE FLAT WASHER GR 8 ZC/Y	3/8	7					40000046				
7/16 USS FLAT WASHER GR 8 ZC/Y	7/16	7								1217002	
1/2 SAE FLAT WASHER GR 8 ZC/Y	1/2	7							1117943		
<b>Stainless 18-8</b>											
#10 X 5/8 BONDED SEALER 18-8 SS	.19	8				40000053					
1/4 X 5/8 BONDED SEALER 18-8 SS	1/4	8				40000051					
3/8 X 3/4 BONDED SEALER 18-8 SS	3/8	8					40000054				
3/8 X 1" BONDED SEALER 18-8 SS	3/8	8							40000055		
1/4 EXTERNAL TOOTH SS LW ZC	1/4	3		40000510							
<b>Specialty</b>											
WASHER NYLON .13 X .62 ID X 1.38OD	5/8	9									137147429

Genuine OEM Parts

1.800.233.4823

www.morganolsonparts.com



	Diameter	Fig.	Length									2-1/4"	2-1/2"	3"	
			.625	.75	.875	1"	1-1/4"	1-1/2"	1-3/4"	2"	2-1/2"				
<b>18-8 Stainless</b>															
PHILLIPS TRUSS M/S 18-8 SS	8 - 32	1	1117716												
PHILLIPS TRUSS M/S 18-8 SS	10 - 24	1	1117814	40300498											
PHILLIPS TRUSS M/S 18-8 SS	1/4 - 20	1		1117784						40300453	40300454				
PHILLIPS TRUSS M/S 18-8 SS	5/16 - 18	1		1117928											
PHILLIPS FLAT M/S 18-8 SS	10 - 32	2							1117830						
PHILLIPS FLAT M/S 18-8 SS	1/4 - 20	2		40300809					1117782			40300630	40300631		
PHILLIPS ROUND M/S 18-8 SS	10 - 24	6		1117209											
6 LOBE PAN T/C M/S 18-8 SS	1/4 - 20	9							1117815						
<b>Standard Steel RoHS</b>															
PHILLIPS ROUND M/S ZC/ROHS	8 - 32	6								1117839					
PHILLIPS PAN TEKS/3 ZC/ROHS	10 - 16	5													
PHILLIPS TRUSS M/S ZC/ROHS	10 - 24	1													1117793
PHILLIPS TRUSS M/S ZC/ROHS	10 - 32	1		1117723					1117715						
<b>T/C - Thread Cutting</b>															
PHIL PAN T/S TYPE A ZC	10	8								1117680					
PHIL TRUSS T/S TYPE A BLK	10	4								40300101					
PHIL PAN T/S TYPE A BLK	10	7								40300503					
PHIL PAN T/S TYPE A ZC	12	8													
6 LOBE PAN T/C	1/4 - 20	9												40300042	



T/C Thread Cutting 6 Lobe Type A  
Genuine OEM Parts

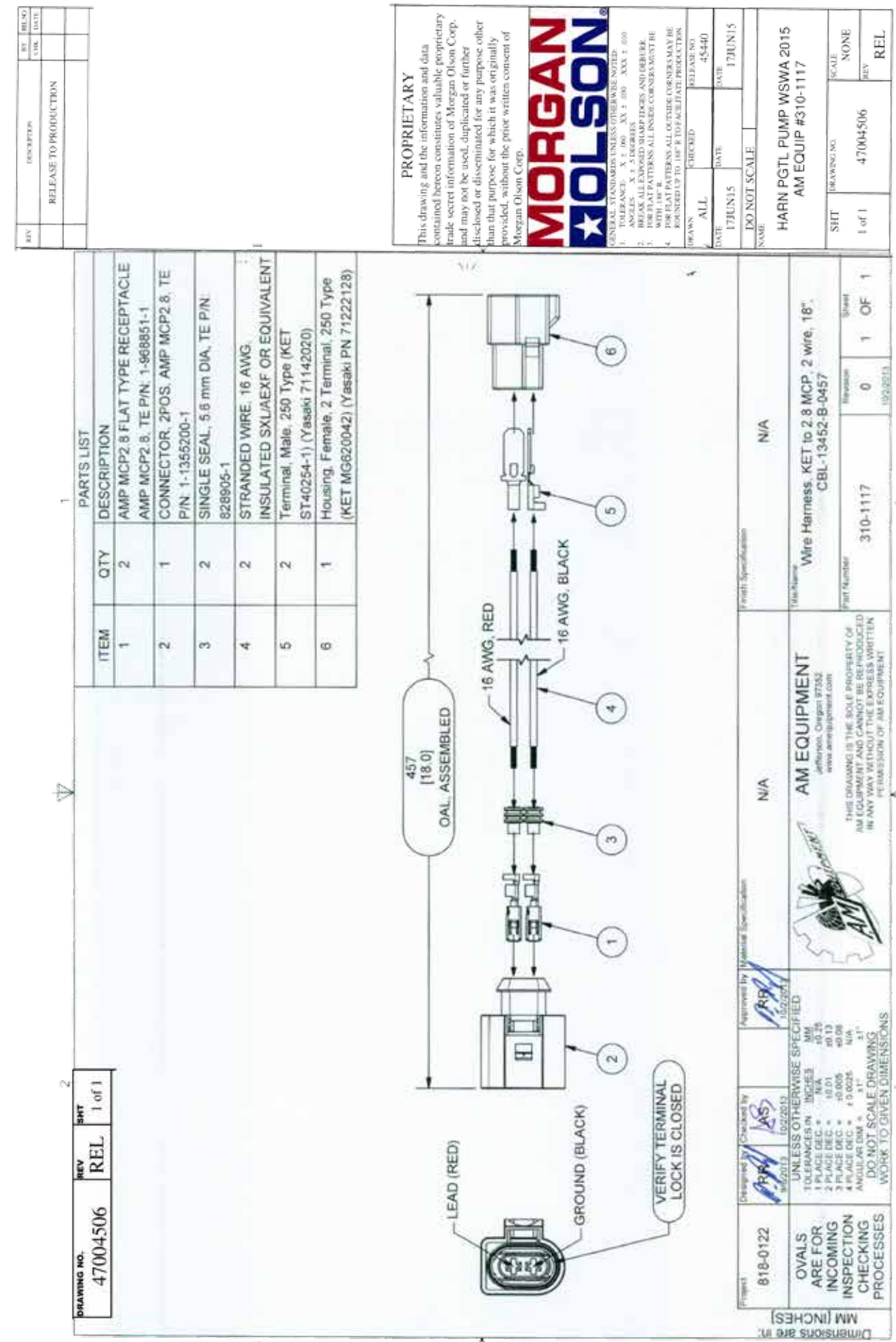
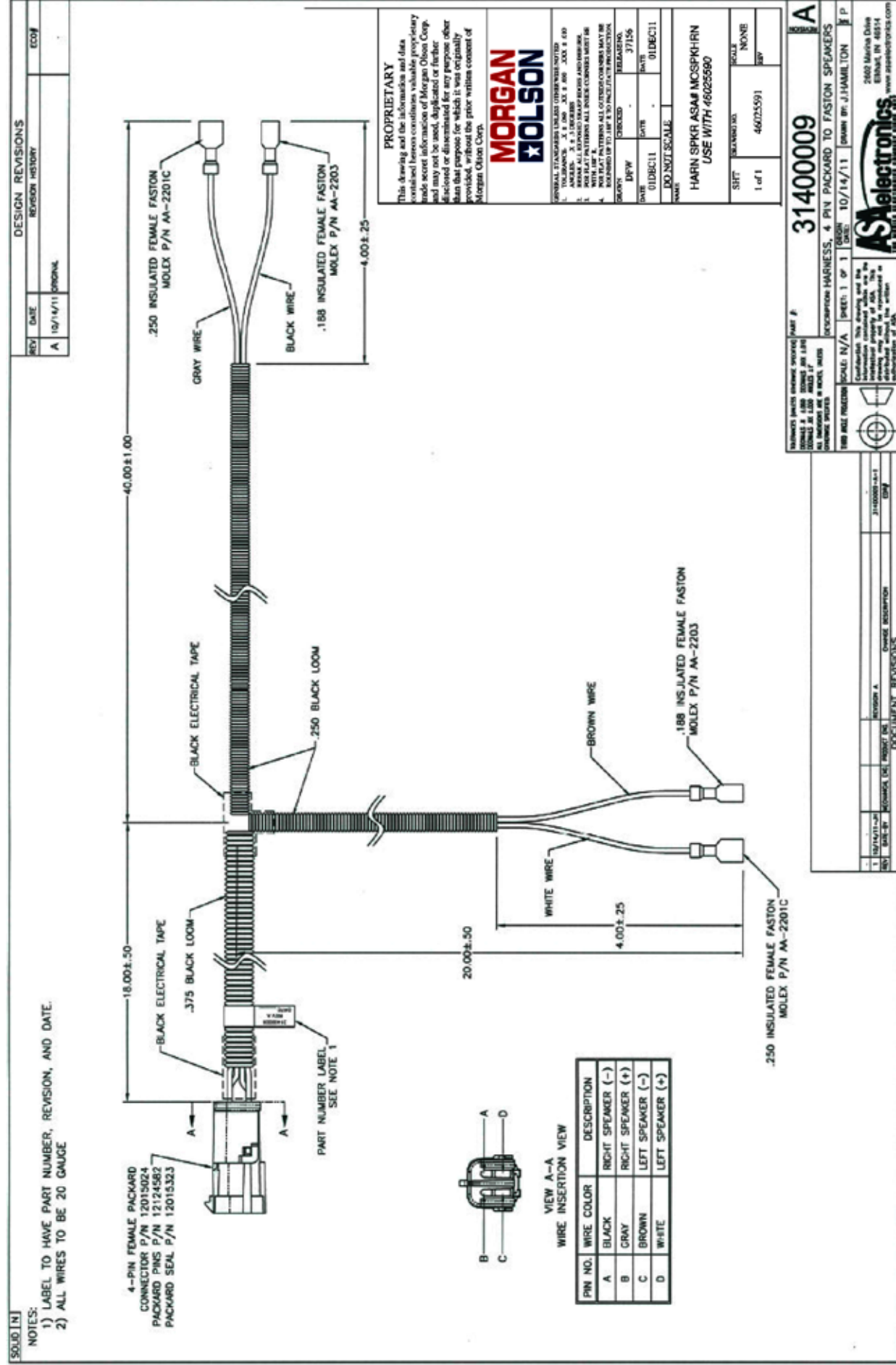
1.800.233.4823

www.morganolsonparts.com

# WIRING HARNESS

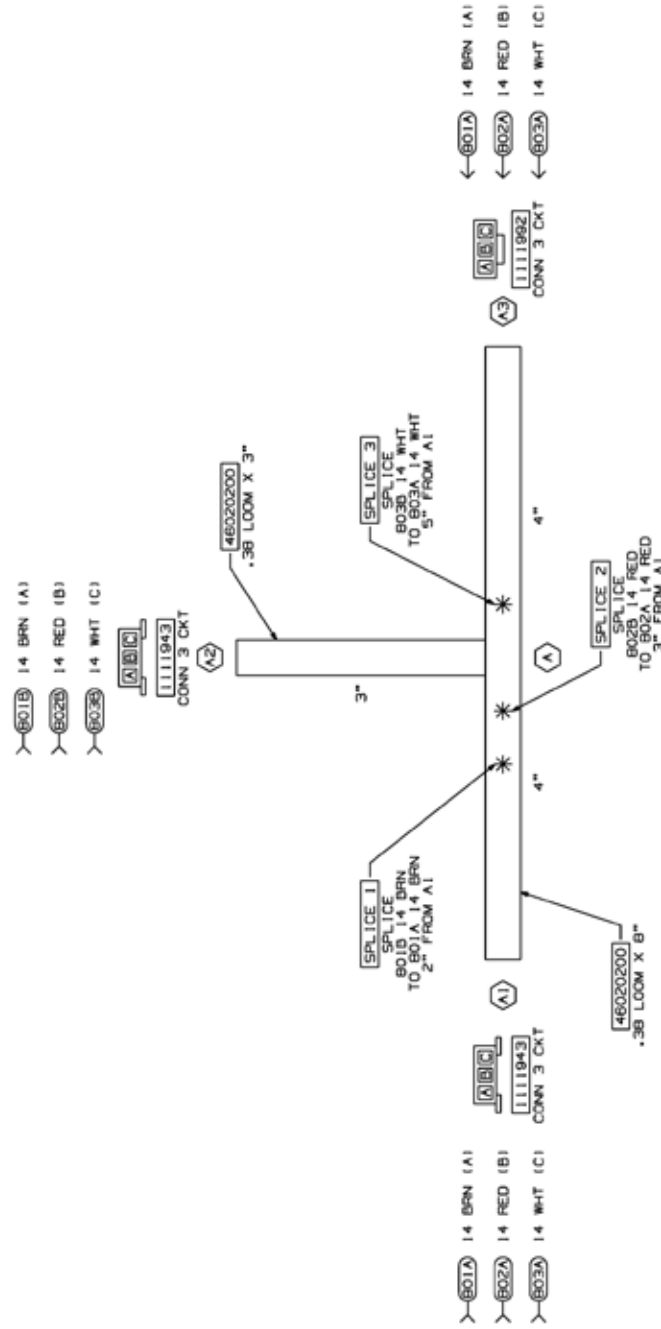
PAGE #	PART #	DESCRIPTION	QTY.	UNIT
62	<a href="#">46025591</a>	HARNESS SPEAKER	1	EA
63	<a href="#">47004506</a>	HARNESS PIGTAIL WASHER PUMP	1	EA
64	<a href="#">88117437</a>	HARNESS JUMPER TEE	1	EA
65	88117501	HARNESS JUMPER 3CIRC 5' (60")	1	EA
66	<a href="#">117067201</a>	HARNESS SEAT SENSOR WRG GEOTAB	1	EA
67	<a href="#">117091201</a>	HARNESS ROOF - NOSE	1	EA
68	140088200	HARNESS JUMPER Y 2WR X48	1	EA
69	<a href="#">155084203</a>	HARNESS SWITCH RADIO OFF REV TRIG W/RELAY	1	EA
70	167081200	HARNESS JUMPER 3WR X135	2	EA
71-72	185085200	HARNESS HOOD <b>ONLY</b> W/HORN <b>F-59</b>	1	EA
73	<a href="#">197092200</a>	HARNESS JUMPER MAGNETIC SWITCH	1	EA
74	<a href="#">197092201</a>	HARNESS STEP WELL LAMPS	1	EA
75-82	205084201	HARNESS IP RFID READER KYLS <b>F-59</b>	1	EA
83	205085201	HARNESS HOOD LED LAMPS <b>E-SERIES</b>	1	EA
84	205088201	HARNESS REAR BACK UP JUMPER <b>E-SERIES</b>	1	EA
85-86	205088202	HARNESS WIPER MOTOR <b>E-SERIES</b>	1	EA
87-88	207087200	HARNESS REAR JUNCTION BOX KYLS	1	EA
89-90	207093200	HARNESS ROOF JUNCTION BOX KYLS	1	EA
91-98	217084200	HARNESS I/P RFID READER KYLS <b>E-SERIES</b>	1	EA





DRAWING NO.	REV	SHIT
BB117437		LOP1
DESCRIPTION		
RELEASE TO PRODUCTION		

CIRCUIT	DESCRIPTION	END POINTS	FUNCTION
B01A	14 BRN 008 1111944 OE 46018504	A1, A3	GENERIC
B01B	14 BRN 005 1111944 OE 51R .25	A2, SPLICE 1	GENERIC
B02A	14 RED 008 1111944 OE 46018504	A1, A3	GENERIC
B02B	14 RED 004 1111944 OE 51R .25	A2, SPLICE 2	GENERIC
B03A	14 WHT 008 1111944 OE 46018504	A1, A3	GENERIC
B03B	14 WHT 004 1111944 OE 51R .24	A2, SPLICE 3	GENERIC



- VENDOR MAY REPLACE PIGTAILS WITH WIRING TO APPROVED MOLDINGS OR CONNECTOR PIGTAILS SHOWN IN TERMINAL VIEW.
- HARNESSES TO BE TESTED FOR CONTENT, OPENS, SHORTS, AND CONTINUITY.
- CONNECTORS SHOWN FROM WIRE ENTRY SIDE, UNLESS OTHERWISE NOTED.
- SPLICES TO BE AUTOMATED WITH HEAT SHRINK TUBING. HEAT SHRINK BUTT SPLICES ARE ACCEPTABLE FOR GO FABRICATION IF NECESSARY.
- TAPE (1111098): 8" AT BREAKOUTS AND 2" AT LOOM ENDS.
- HARNESSES TO HAVE A LABEL SHOWING MORGAN-NOLSON PART NUMBER, REVISION LEVEL, AND DATE OF MANUFACTURE.
- SPLIT POLY LOOM UNLESS OTHERWISE NOTED.
- GEN. WIRE.

**NOTES:**

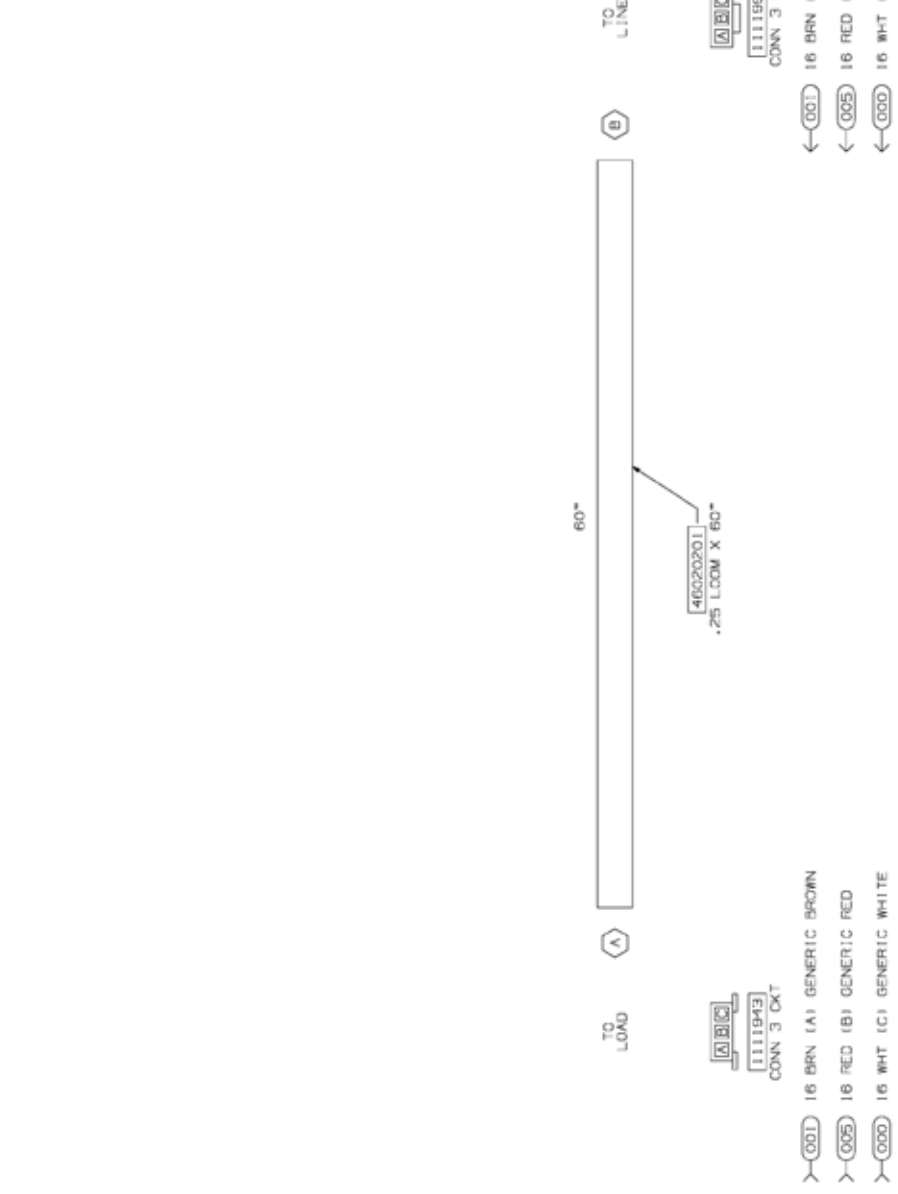
**PROPRIETARY**  
This drawing and the information contained herein are the property of Morgan-Nolson. No part of this drawing may be reproduced or transmitted in any form or by any means, electronic, mechanical, photocopying, recording, or by any information storage and retrieval system, without the prior written permission of Morgan-Nolson.



HARNESSES AND LOOM TOLERANCES	
UP TO 60"	± 0/±2"
60" TO 100"	± 0/±4"
100" TO 200"	± 0/±5"
200" TO 400"	± 0/±6"
400" TO 600"	± 0/±7"
OVER 600"	± 0/±8"
80 TO 90	± 0/±2"
TOLERANCE IS NOT APPLICABLE TO OVERALL HARNESSES LENGTH, HARNESSES LENGTH, BREAKOUT TO END, OR LOOM.	
JUMPER-HARN TEE-GENERIC	
FORMING NO.	88117437
SHIT	NONE
LOP	1

CIRCUIT	DESCRIPTION	END POINTS	FUNCTION
000	16 WHT 060 1111944 OE 46018504	A, B	GENERIC WHITE
001	16 BRN 060 1111944 OE 46018504	A, B	GENERIC BROWN
002	16 RED 060 1111944 OE 46018504	A, B	GENERIC RED

DRAWING NO.	REV	SHIT
BB117501		LOP1
DESCRIPTION		
RELEASE TO PRODUCTION		



- VENDOR MAY REPLACE PIGTAILS WITH WIRING TO APPROVED MOLDINGS OR CONNECTOR PIGTAILS SHOWN IN TERMINAL VIEW.
- HARNESSES TO BE TESTED FOR CONTENT, OPENS, SHORTS, AND CONTINUITY.
- CONNECTORS SHOWN FROM WIRE ENTRY SIDE, UNLESS OTHERWISE NOTED.
- SPLICES TO BE AUTOMATED WITH HEAT SHRINK TUBING. HEAT SHRINK BUTT SPLICES ARE ACCEPTABLE FOR GO FABRICATION IF NECESSARY.
- TAPE (1111098): 8" AT BREAKOUTS AND 2" AT LOOM ENDS.
- HARNESSES TO HAVE A LABEL SHOWING MORGAN-NOLSON PART NUMBER, REVISION LEVEL, AND DATE OF MANUFACTURE.
- SPLIT POLY LOOM UNLESS OTHERWISE NOTED.
- GEN. WIRE.

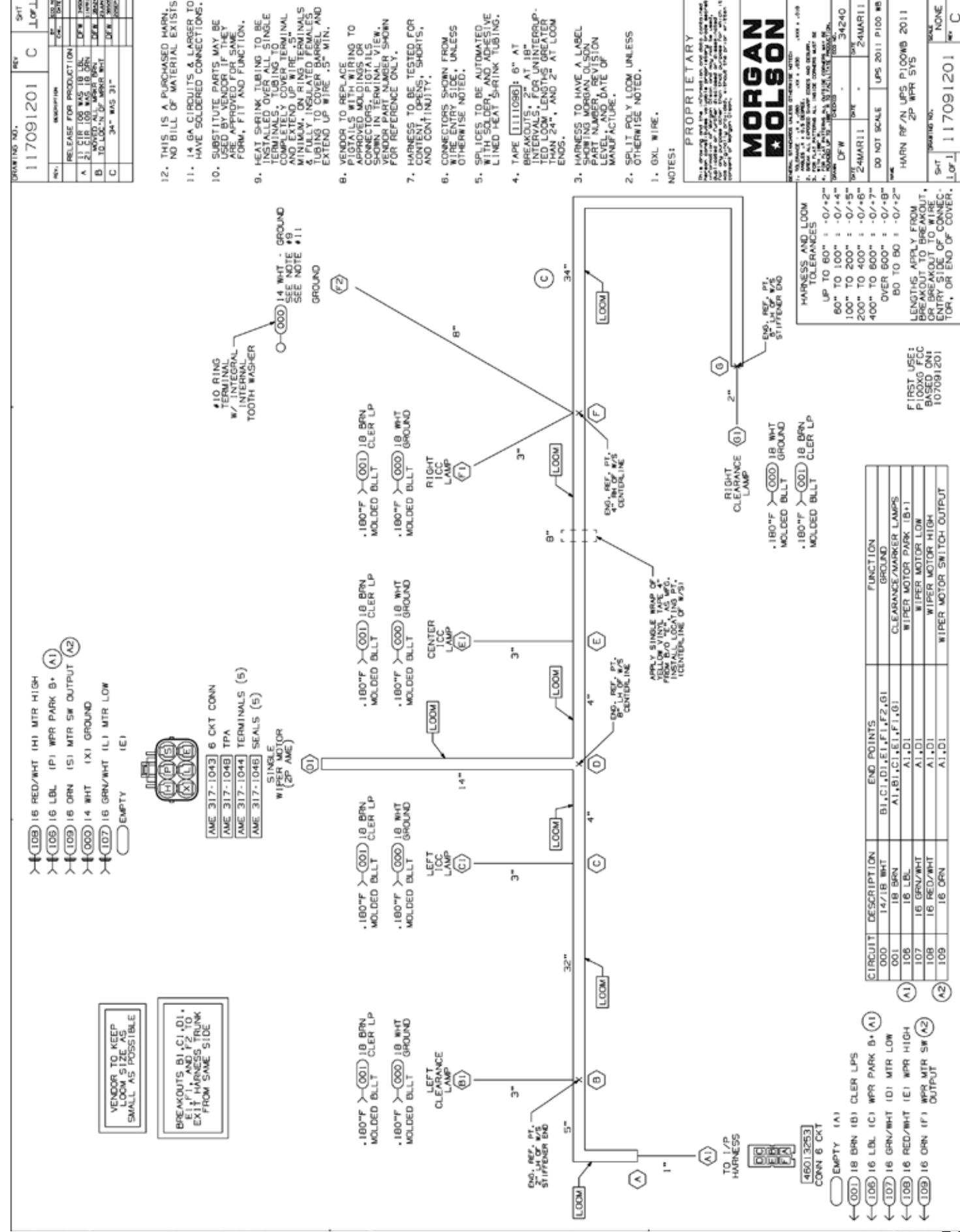
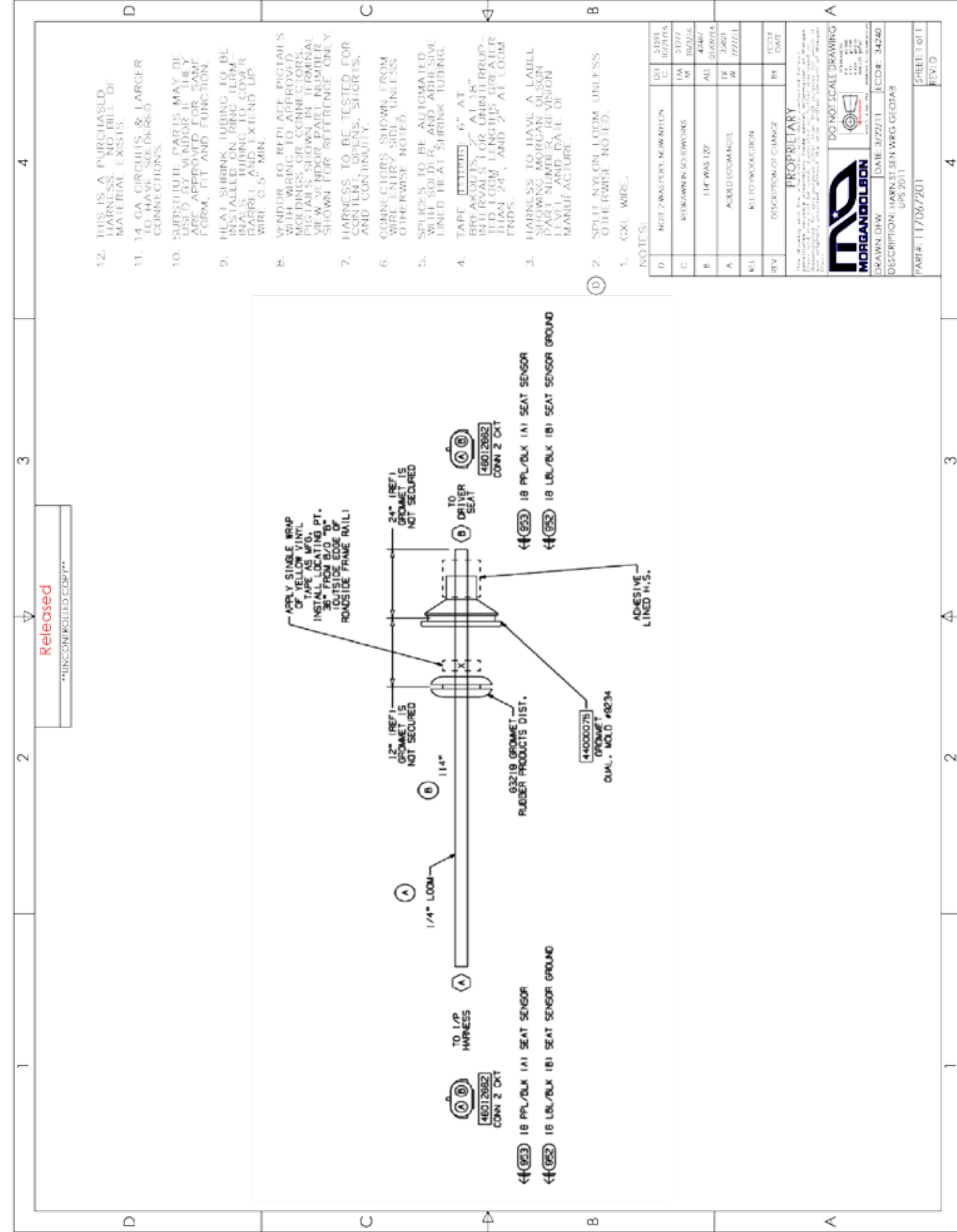
**NOTES:**

**PROPRIETARY**  
This drawing and the information contained herein are the property of Morgan-Nolson. No part of this drawing may be reproduced or transmitted in any form or by any means, electronic, mechanical, photocopying, recording, or by any information storage and retrieval system, without the prior written permission of Morgan-Nolson.



HARNESSES AND LOOM TOLERANCES	
UP TO 60"	± 0/±2"
60" TO 100"	± 0/±4"
100" TO 200"	± 0/±5"
200" TO 400"	± 0/±6"
400" TO 600"	± 0/±7"
OVER 600"	± 0/±8"
80 TO 90	± 0/±2"
TOLERANCE IS NOT APPLICABLE TO OVERALL HARNESSES LENGTH, HARNESSES LENGTH, BREAKOUT TO END, OR LOOM.	
JUMPER-HARNESSES-GENERIC	
FORMING NO.	88117501
SHIT	NONE
LOP	1







DRAWING NO.	REV.	SHEET
1400BB200		1 OF 1
DESCRIPTION	DATE	BY
RELEASE TO PRODUCTION		

CIRCUIT	DESCRIPTION	END POINTS	FUNCTION
000	16 WHT	A1, B1, B2	GROUND
001	16 BLK	A2, B3, B4	POWER

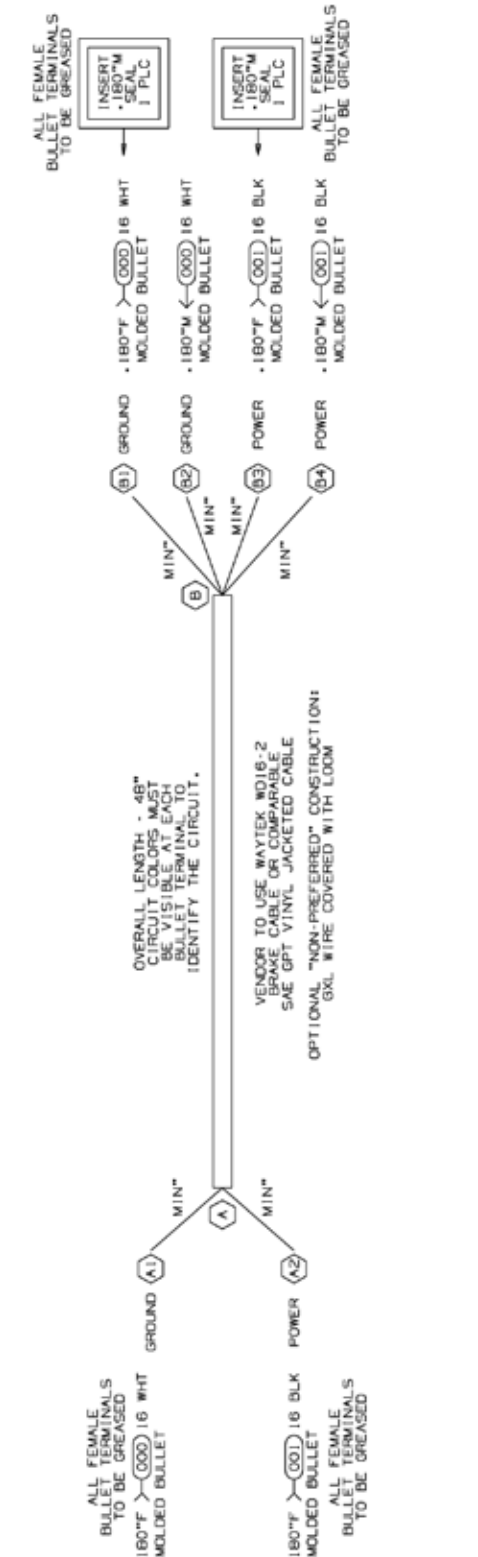
- VENDOR MAY REPLACE PIGTAILS WITH WIRING TO APPROVED MOLDINGS OR CONNECTORS. PIGTAILS SHOWN IN TERMINAL VIEW.
- HARNESS TO BE TESTED FOR CONTENT, OPENS, SHORTS, AND CONTINUITY.
- CONNECTORS SHOWN FROM WIRE ENTRY SIDE, UNLESS OTHERWISE NOTED.
- SPLICES TO BE AUTOMATED WITH HEAT SHRINK TUBING. HEAT SHRINK BUTT SPLICES ARE ACCEPTABLE FOR M-D FABRICATION IF NECESSARY.
- TAPE (1111098): 6" AT BREAKOUTS AND 2" AT LOOM ENDS.
- HARNESS TO HAVE A LABEL SHOWING MORGAN OLSON PART NUMBER, REVISION LEVEL AND DATE OF MANUFACTURE.
- SPLIT POLY LOOM UNLESS JACKETED CABLE IS USED.
- JACKETED CABLE AS NOTED.

NOTES:

PROPRIETARY  
THIS DRAWING AND THE INFORMATION CONTAINED HEREIN ARE THE PROPERTY OF MORGAN OLSON. ALL RIGHTS ARE RESERVED. NO PART OF THIS DRAWING IS TO BE REPRODUCED OR TRANSMITTED IN ANY FORM OR BY ANY MEANS, ELECTRONIC OR MECHANICAL, INCLUDING PHOTOCOPYING, RECORDING, OR BY ANY INFORMATION STORAGE AND RETRIEVAL SYSTEM, WITHOUT THE WRITTEN PERMISSION OF MORGAN OLSON.

**MORGAN  
OLSON**

DATE	17DEC13	DATE	17DEC13
TIME	17:00	TIME	17:00
BY	MTS	BY	MTS
APP'D		APP'D	
SCALE	DO NOT SCALE	SCALE	NONE
SHEET	1 OF 1	SHEET	NONE
DRAWING NO.	1400BB200	DRAWING NO.	NONE



HARNESS AND LOOM TOLERANCES

UP TO 60"	-0/+2"
60" TO 100"	-0/+4"
100" TO 200"	-0/+5"
200" TO 400"	-0/+6"
400" TO 600"	-0/+7"
OVER 600"	-0/+8"

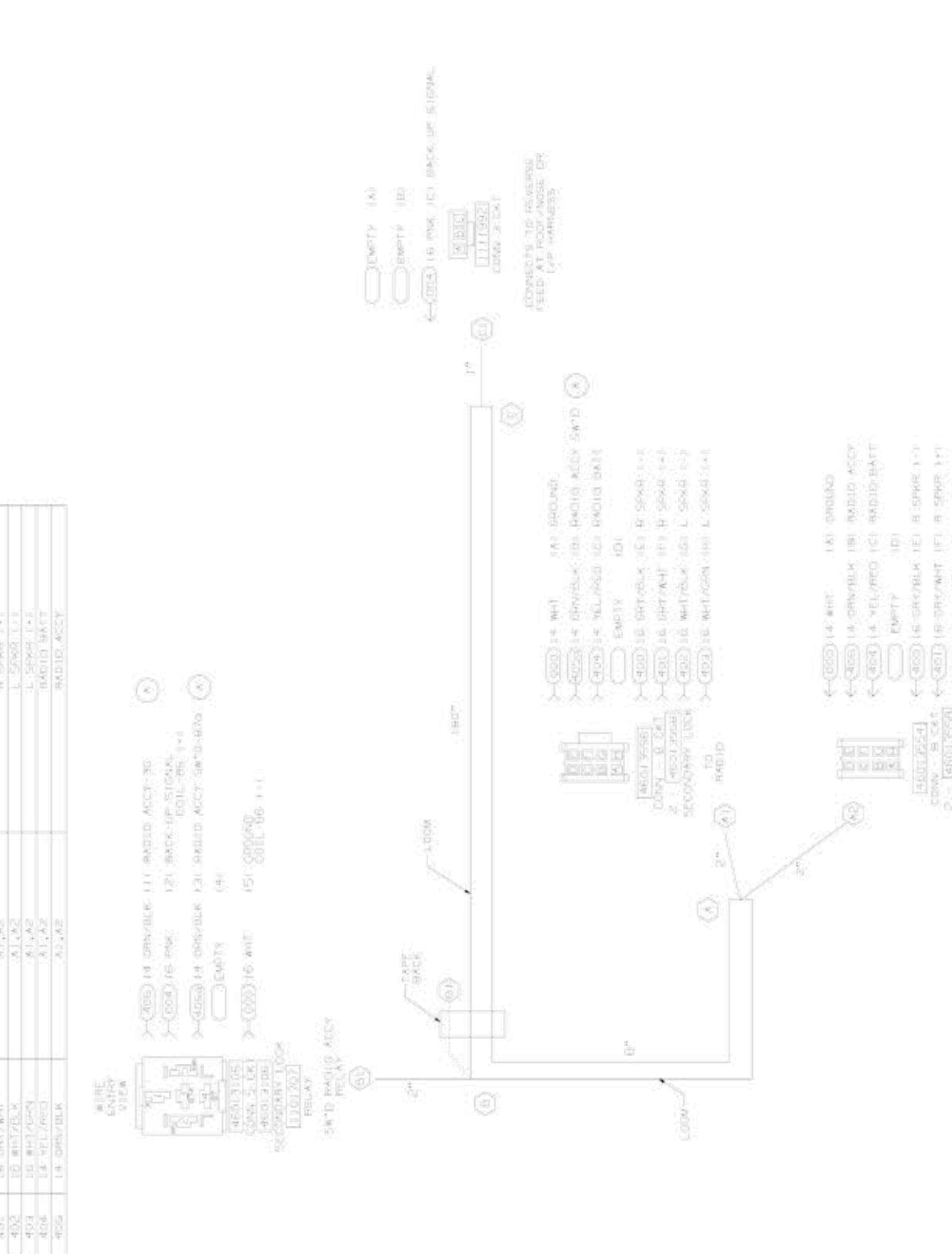
80 TO 90 : -0/+2"

TOLERANCE IS NOT ACCUMULATIVE. LENGTH APPLIES TO OVERALL HARNESS LENGTH, BREAKOUT TO END, OR LOOM.

\*FIRST USE: CURBSIDE M.I.D-BODY MARKER

DRAWING NO.	REV.	SHEET
1550BA203	A	1 OF 1
DESCRIPTION	DATE	BY
RELEASE FOR PRODUCTION		

CIRCUIT	DESCRIPTION	END POINTS	FUNCTION
000	14/16 WHT	A2, B1	GROUND
001	14/16 BLK	A1, B2	GROUND
002	16 PRK	B1, C1	BACK-UP SIGNAL
003	16 GRN/BLK	A1, A2	R SPKR L+R
004	16 WHT/BLK	A1, A2	L SPKR L+R
005	14 GRN/BLK	A1, A2	L SPKR L+R
006	14 WHT/BLK	A1, A2	L SPKR L+R
007	14 YEL/PRK	A1, A2	RADIO BATT
008	14 GRN/BLK	A3, A2	RADIO ACCY

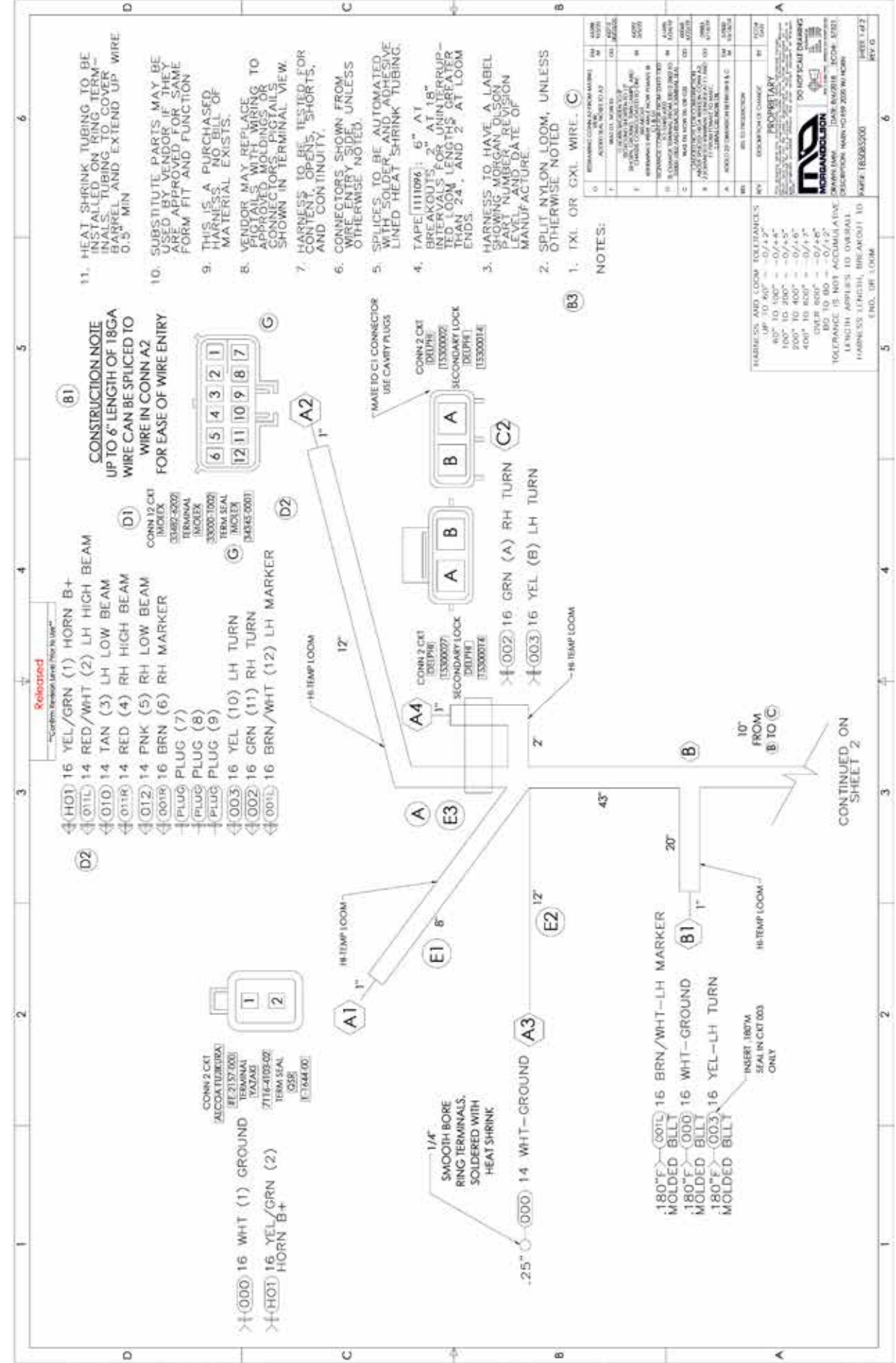
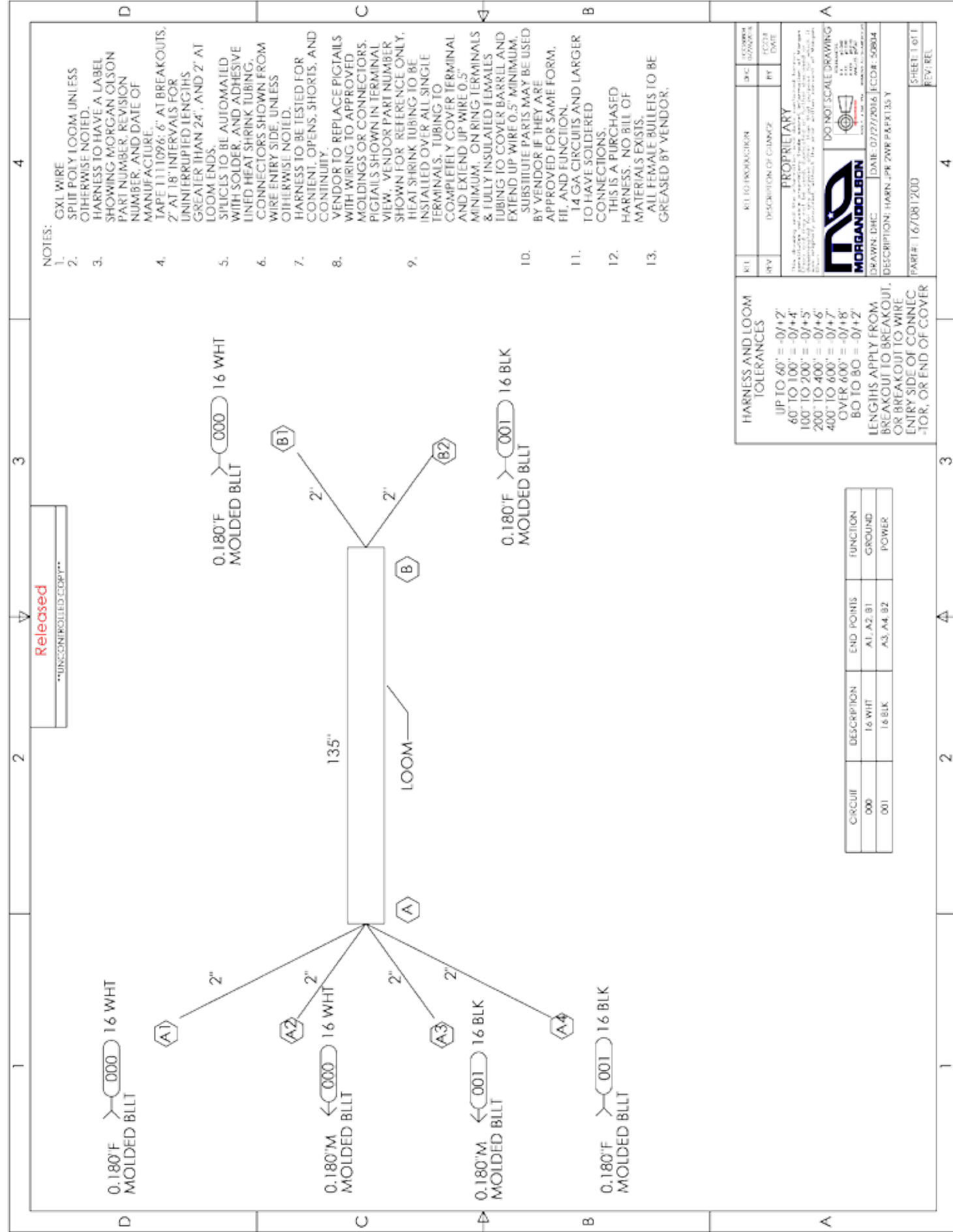


PROPRIETARY  
THIS DRAWING AND THE INFORMATION CONTAINED HEREIN ARE THE PROPERTY OF MORGAN OLSON. ALL RIGHTS ARE RESERVED. NO PART OF THIS DRAWING IS TO BE REPRODUCED OR TRANSMITTED IN ANY FORM OR BY ANY MEANS, ELECTRONIC OR MECHANICAL, INCLUDING PHOTOCOPYING, RECORDING, OR BY ANY INFORMATION STORAGE AND RETRIEVAL SYSTEM, WITHOUT THE WRITTEN PERMISSION OF MORGAN OLSON.

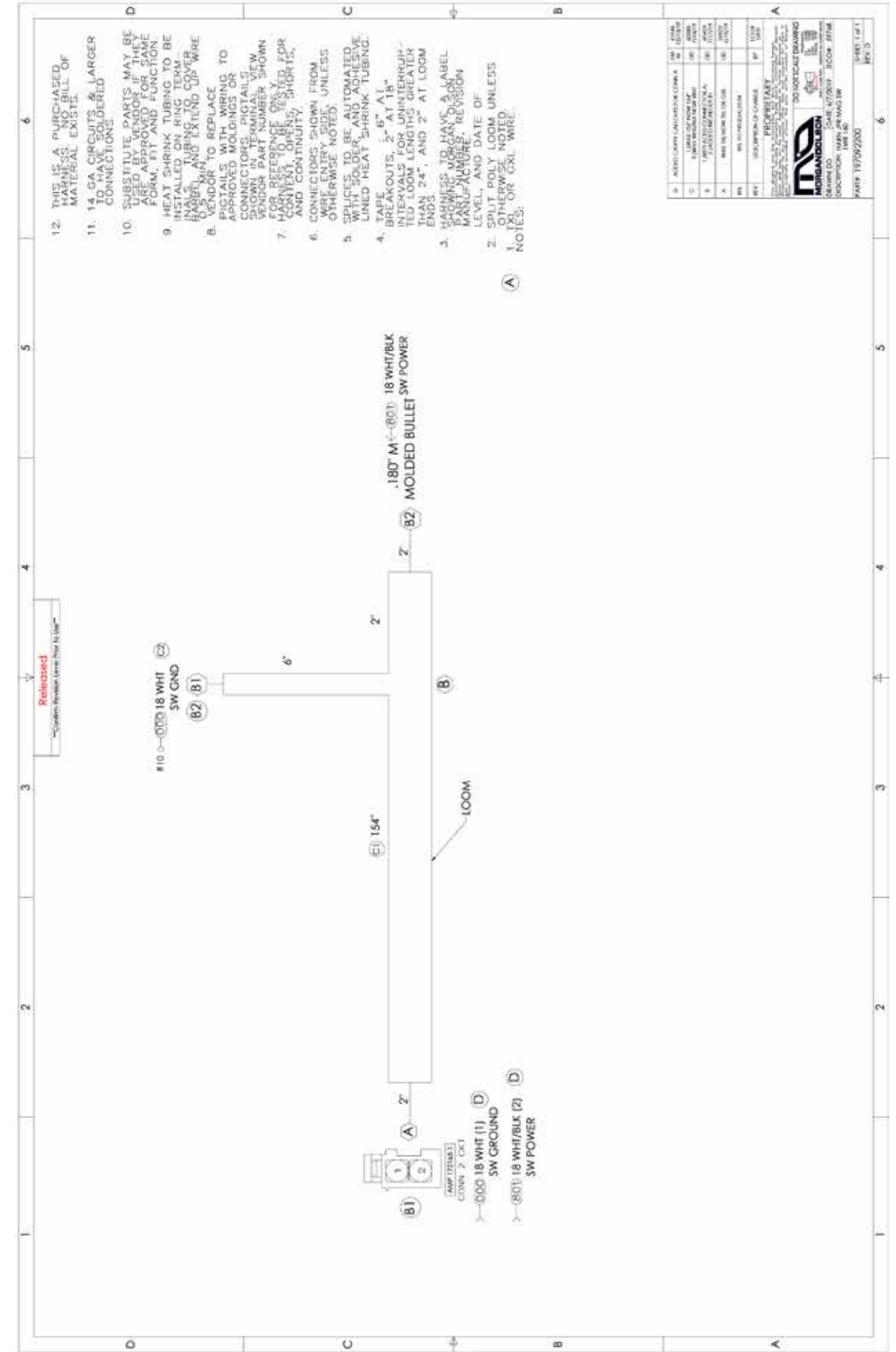
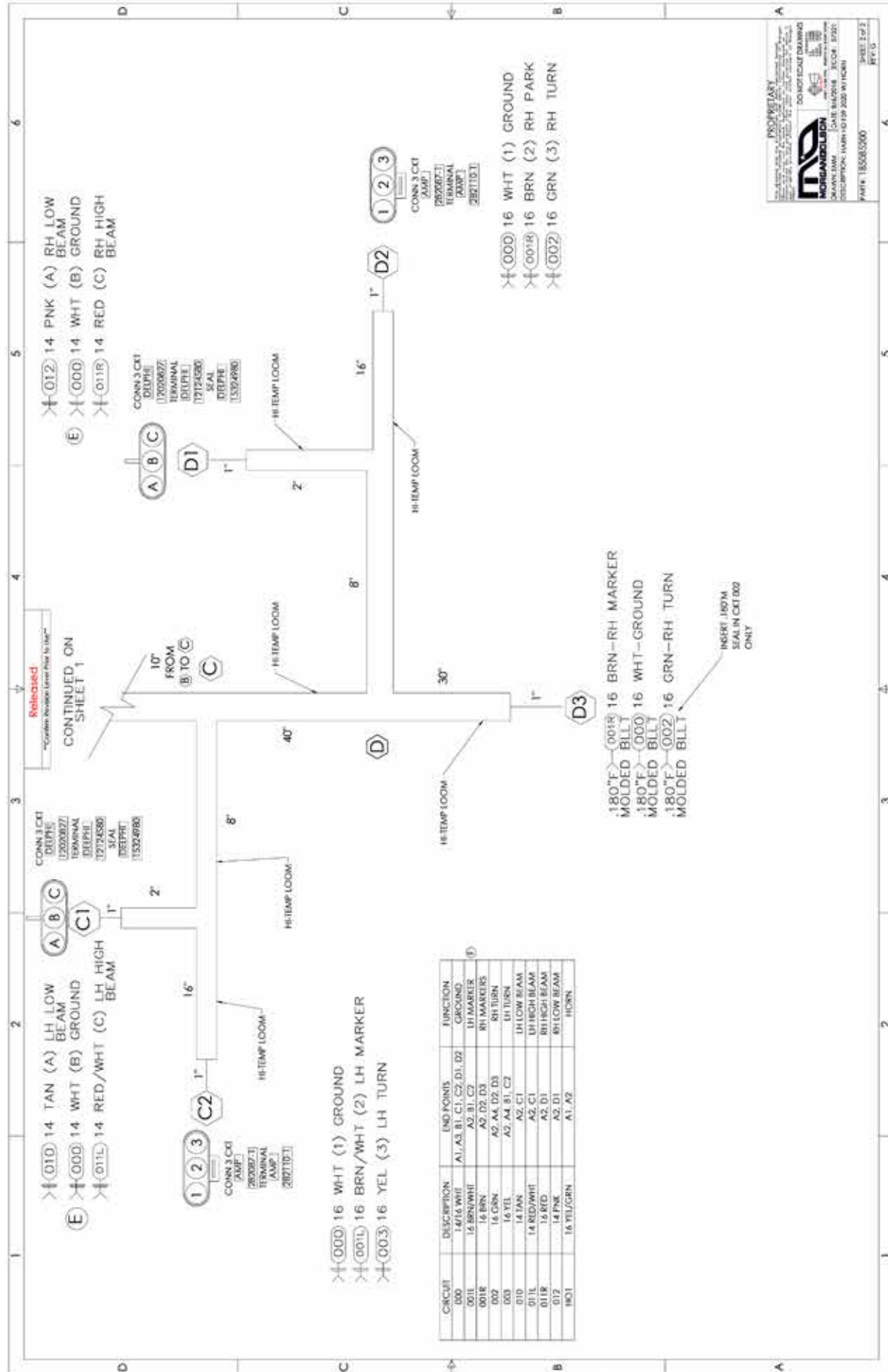
**MORGAN  
OLSON**

DATE	1550BA203	DATE	1550BA203
TIME		TIME	
BY		BY	
APP'D		APP'D	
SCALE		SCALE	
SHEET	1 OF 1	SHEET	
DRAWING NO.	1550BA203	DRAWING NO.	

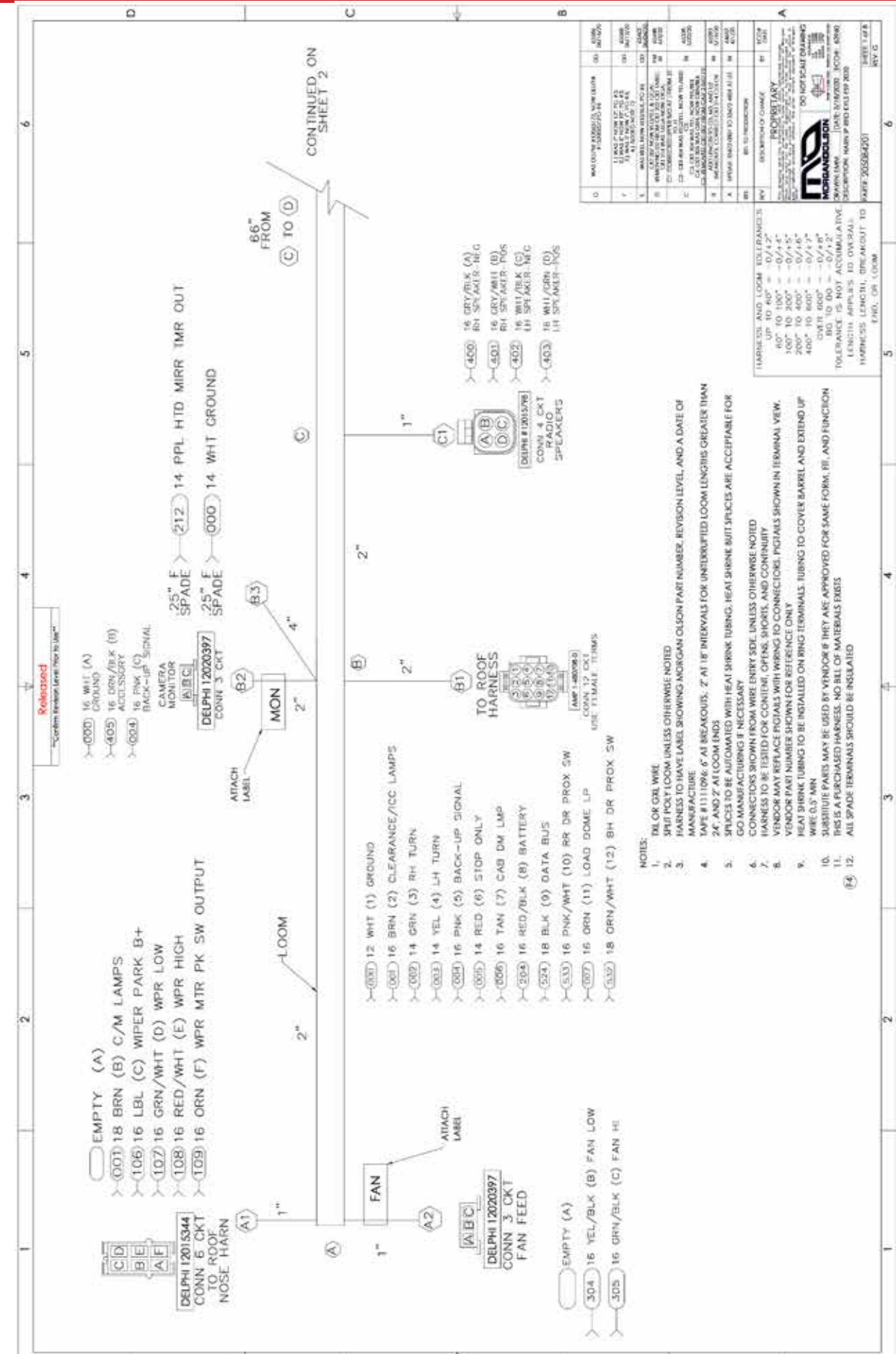
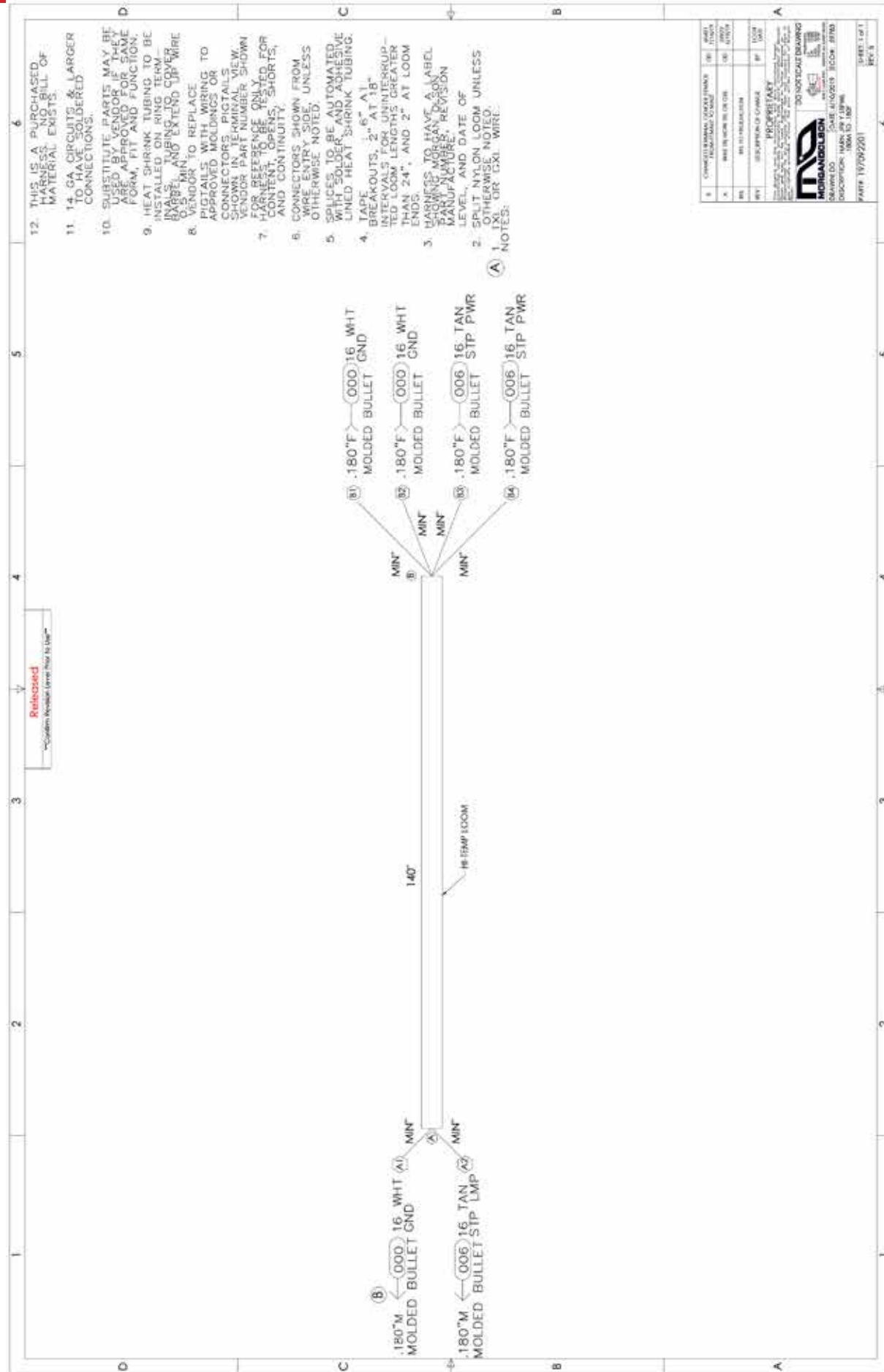
\*FIRST USE: CURBSIDE M.I.D-BODY MARKER

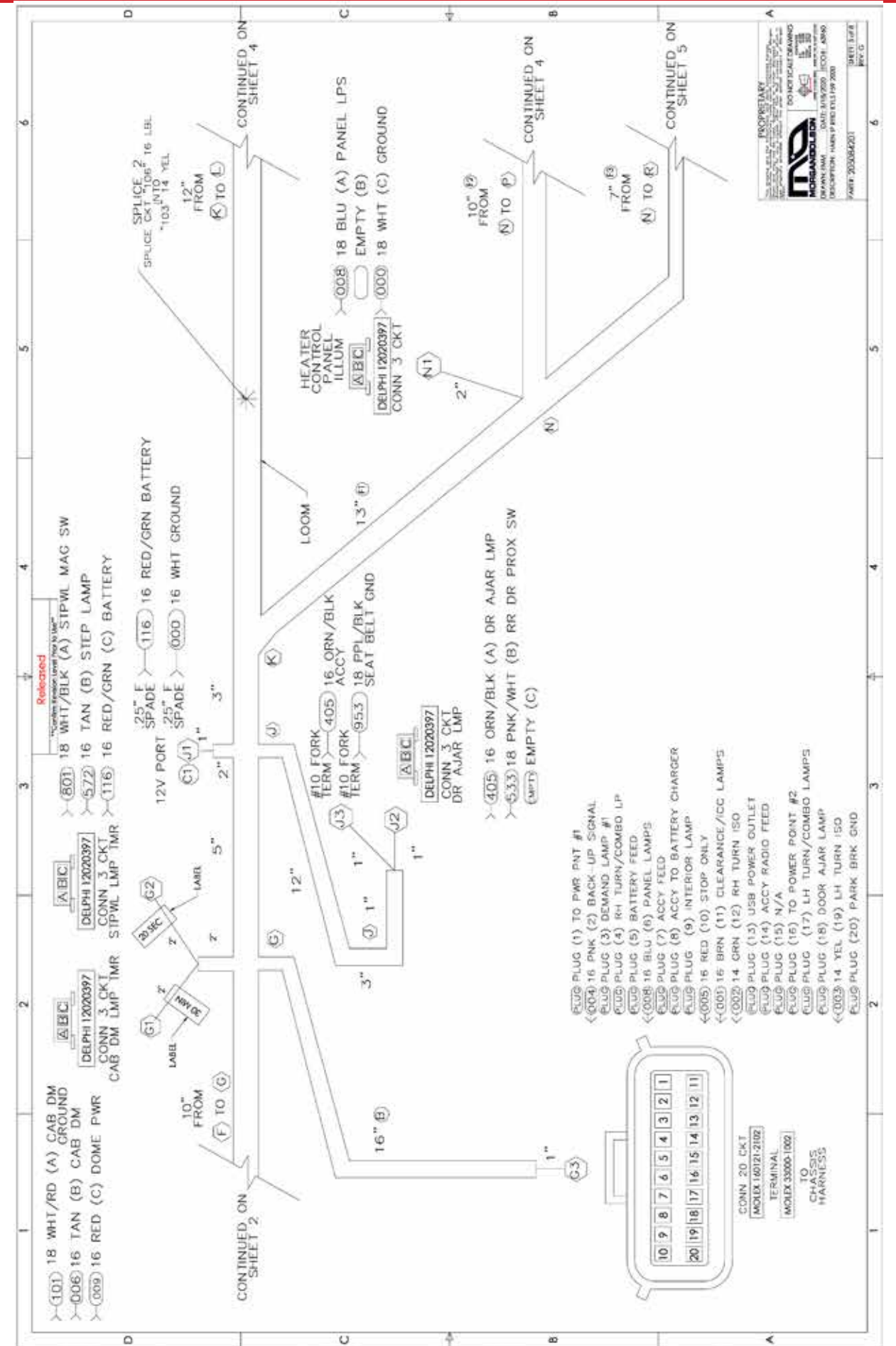
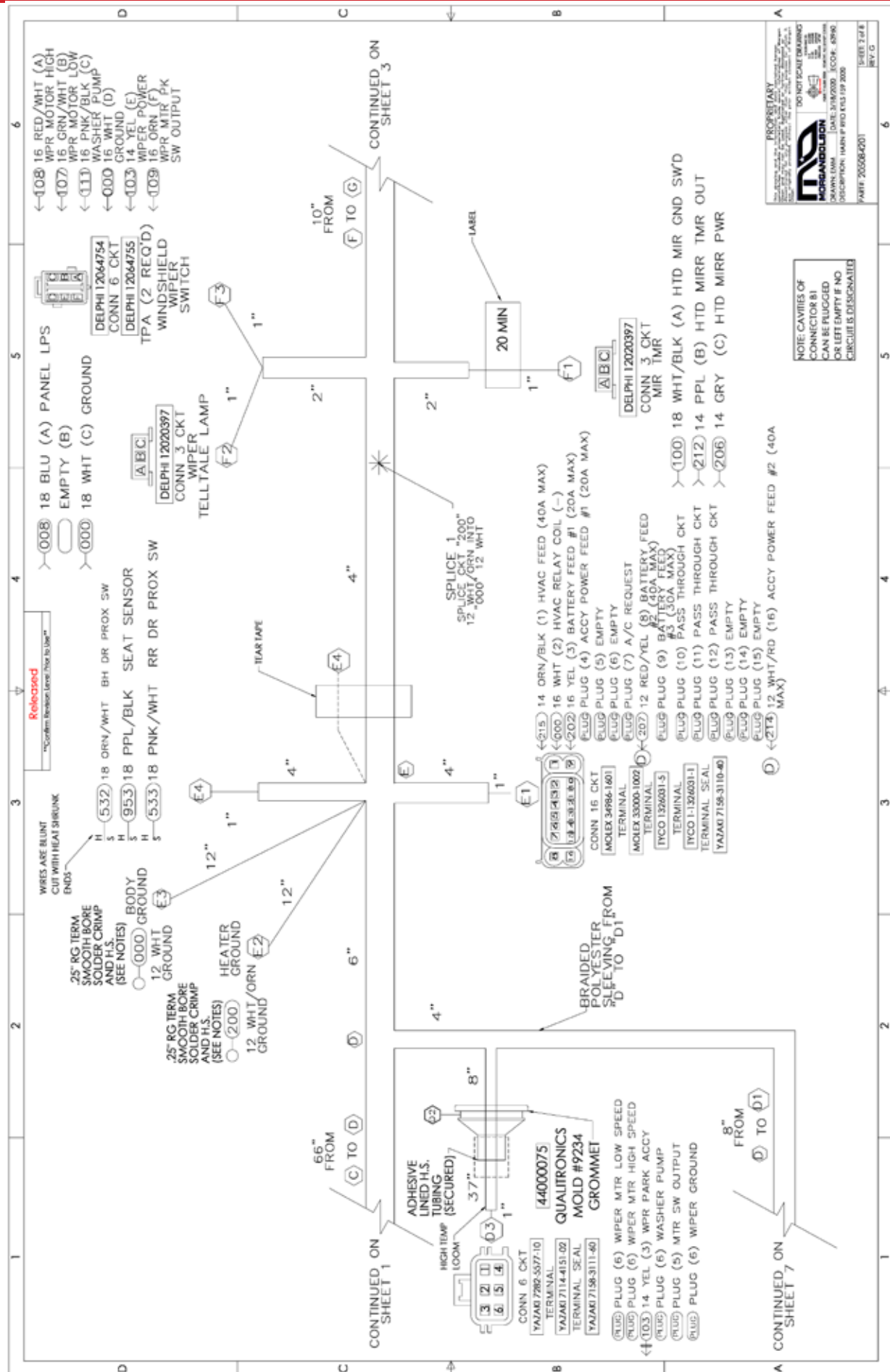




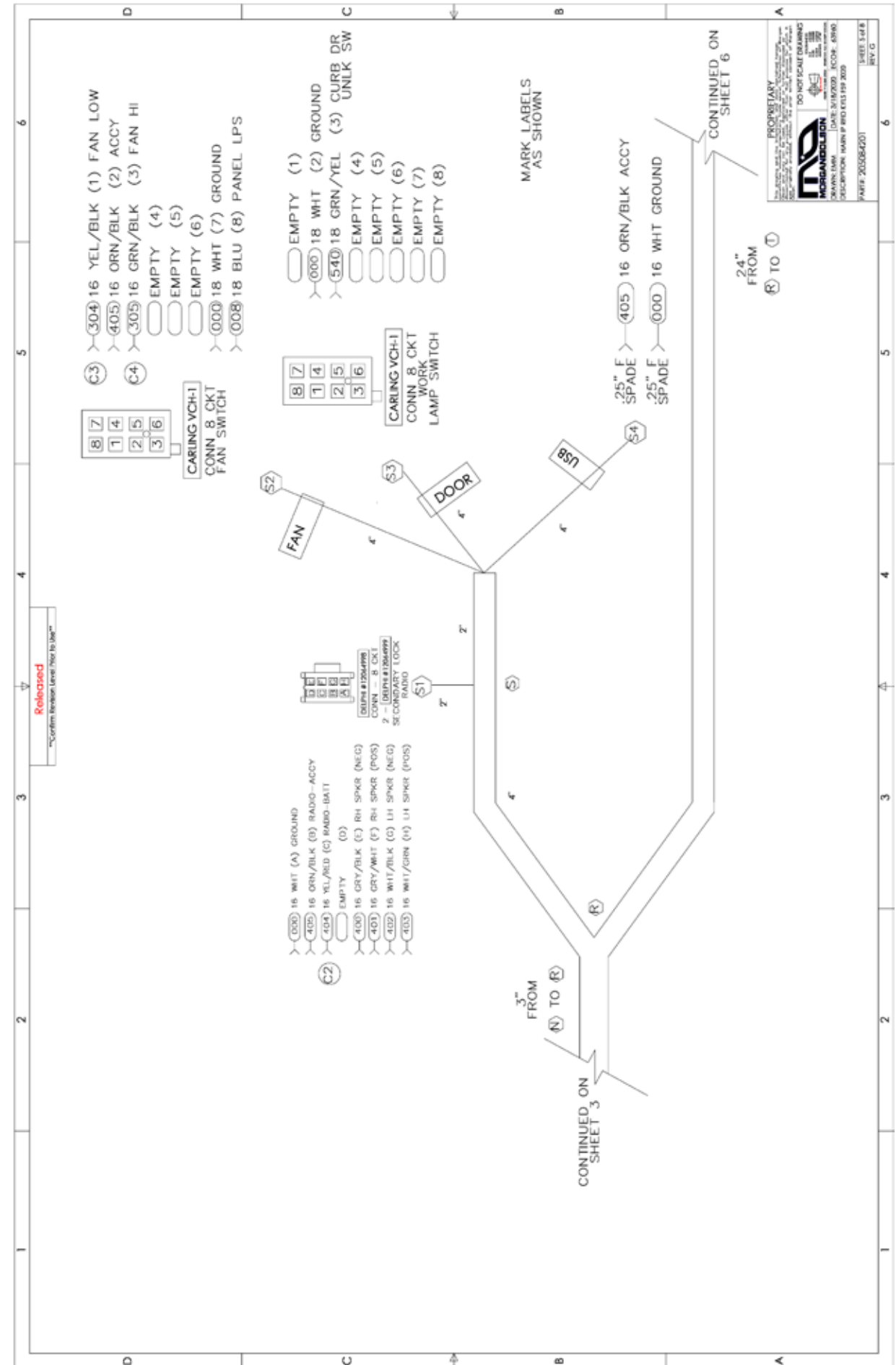
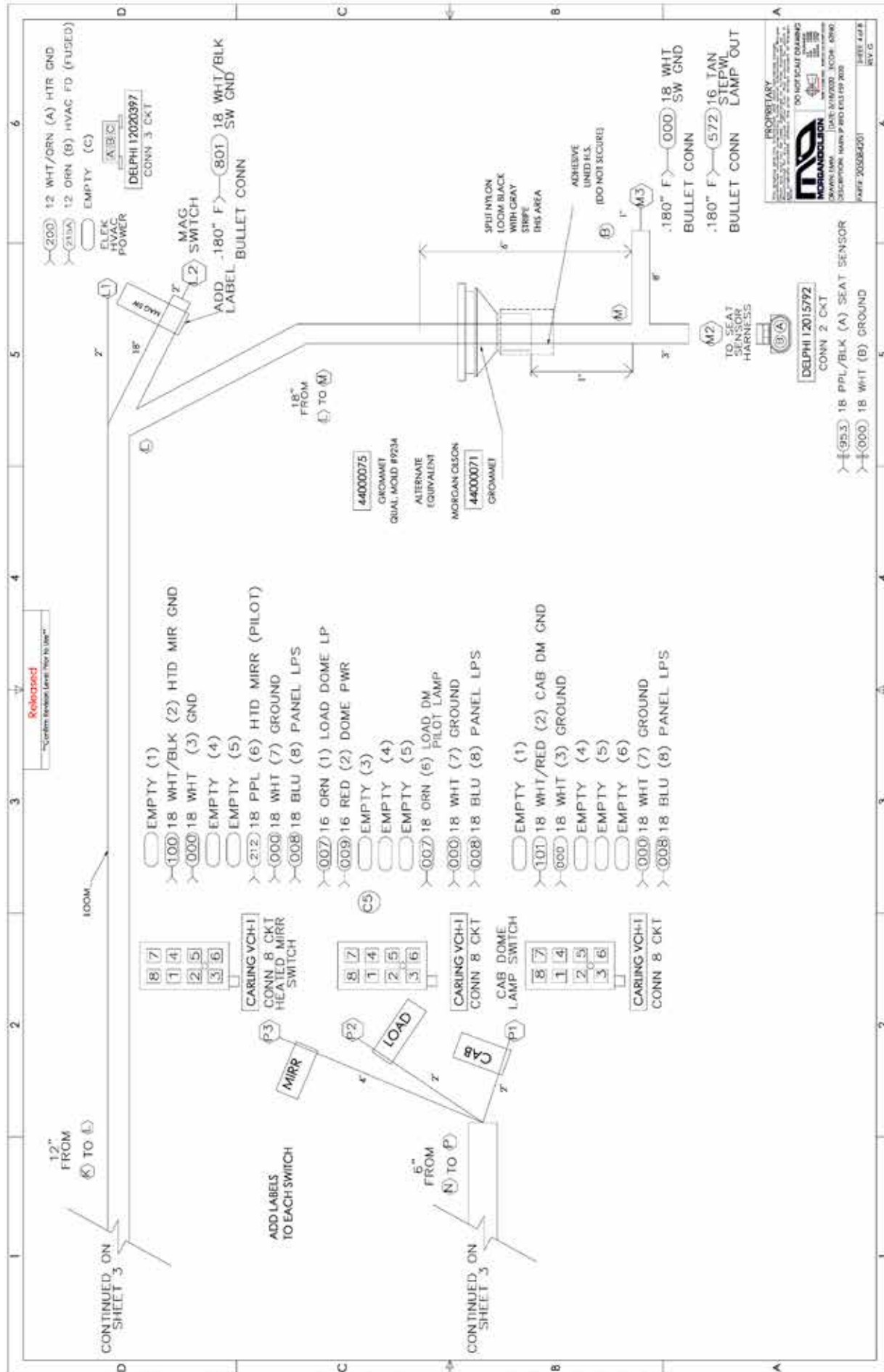




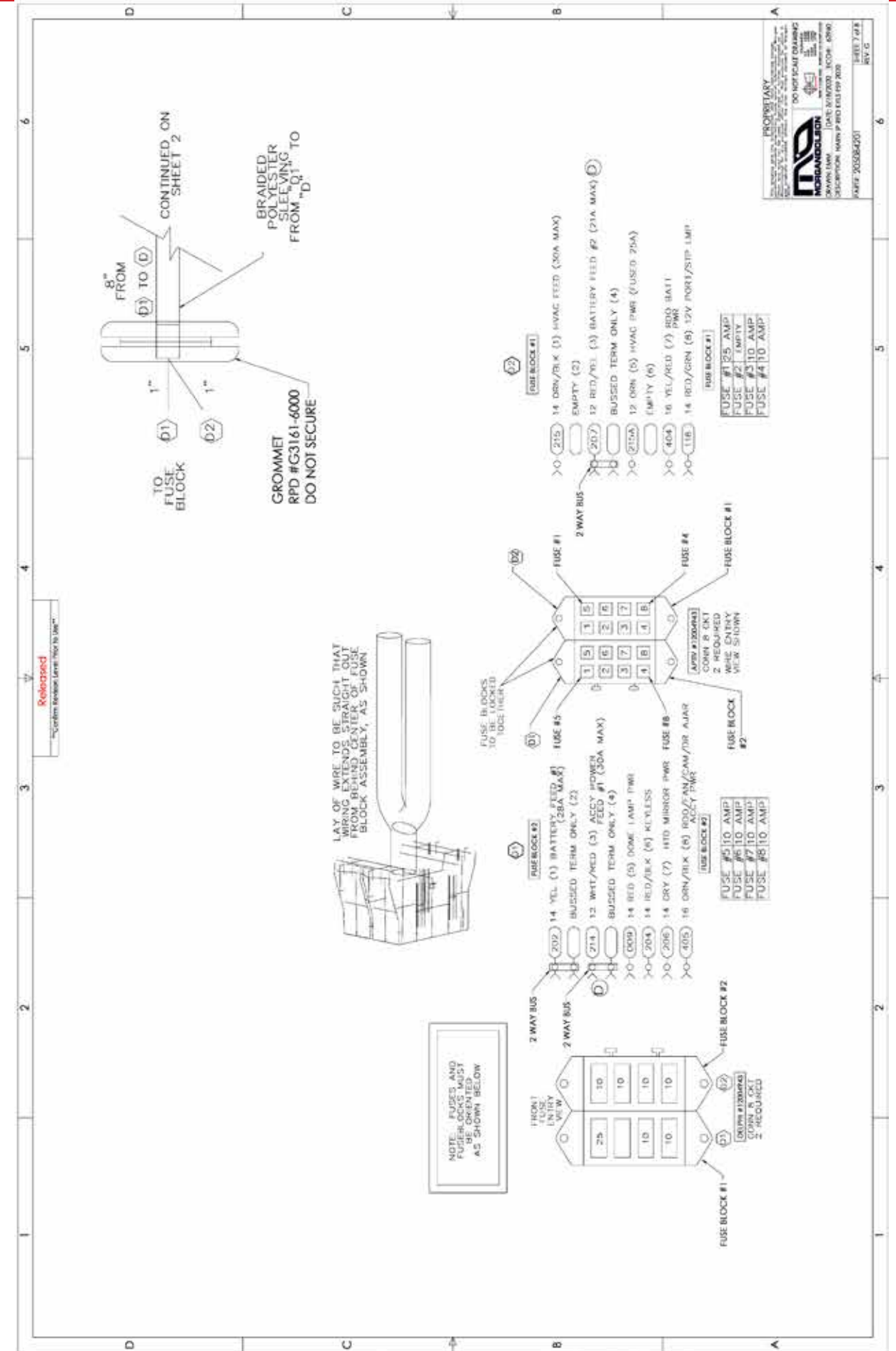
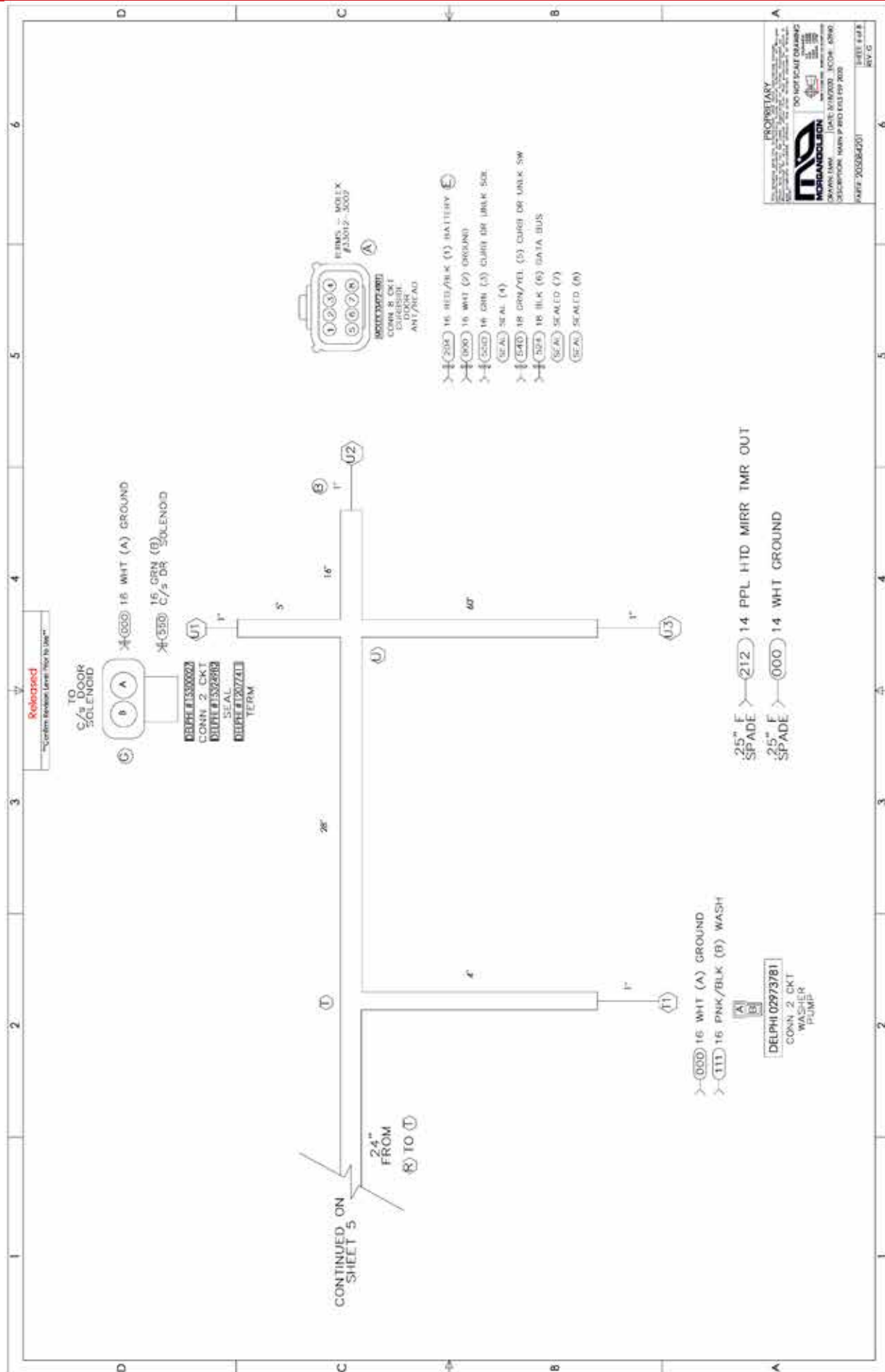


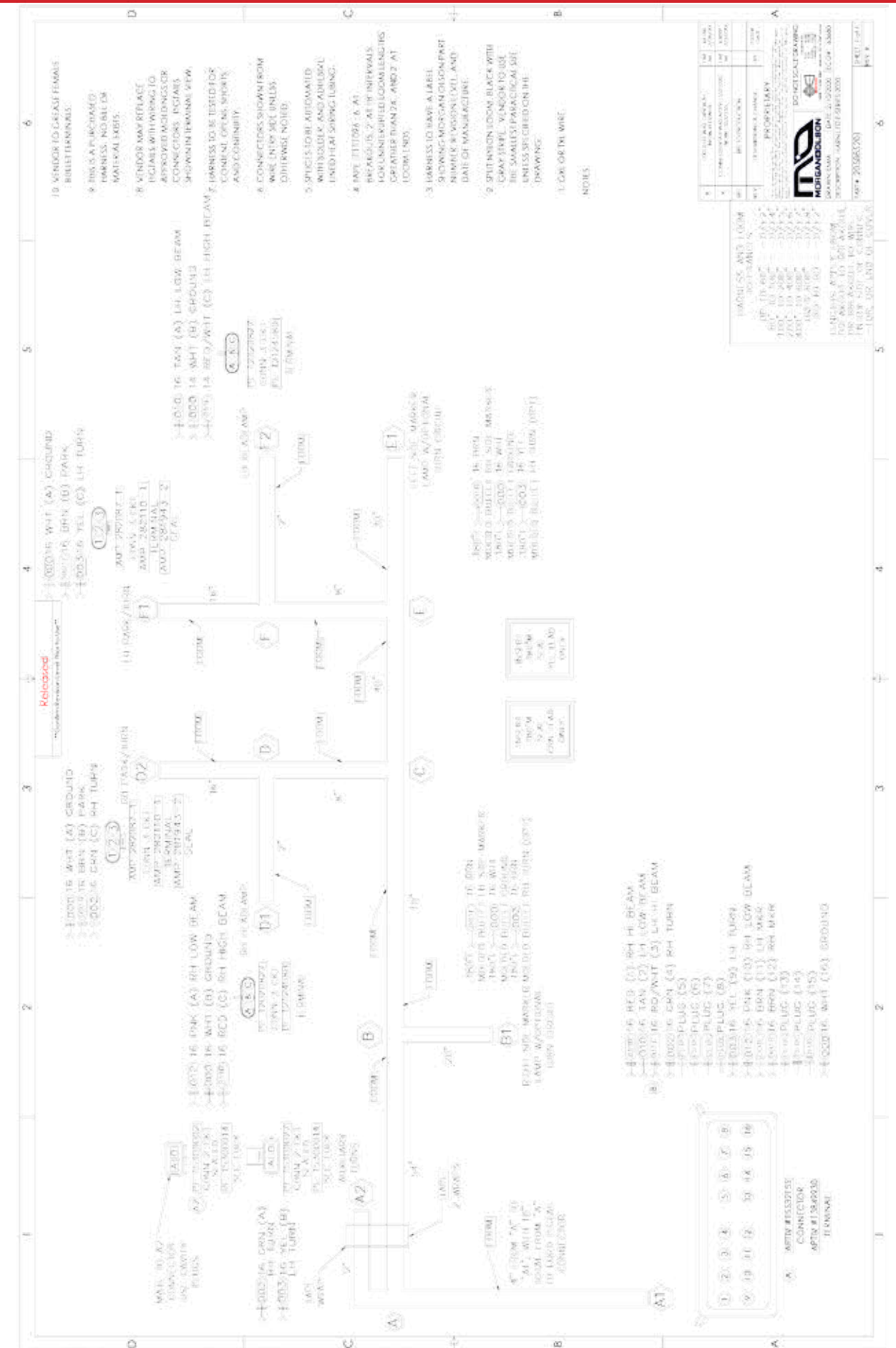


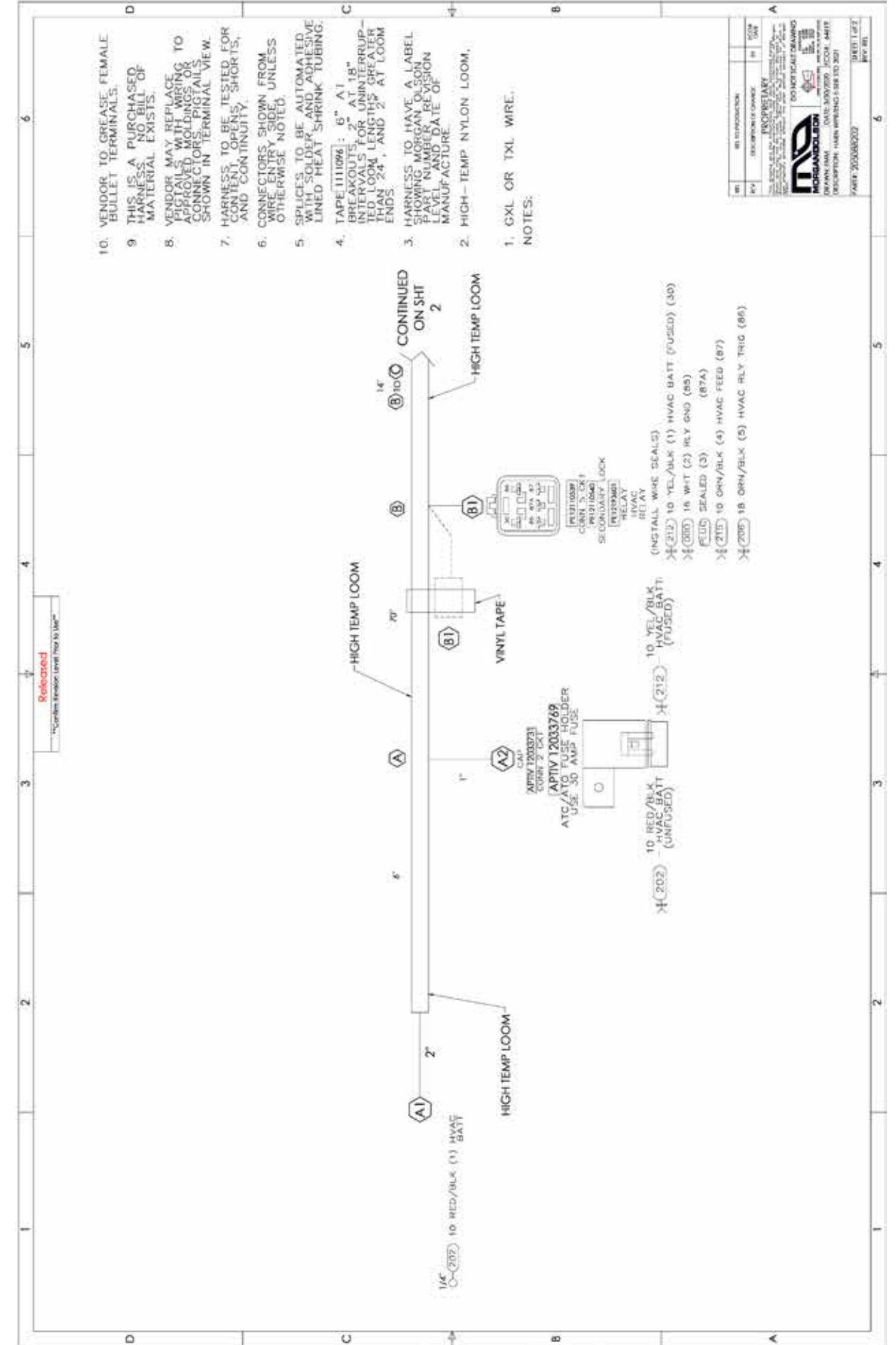
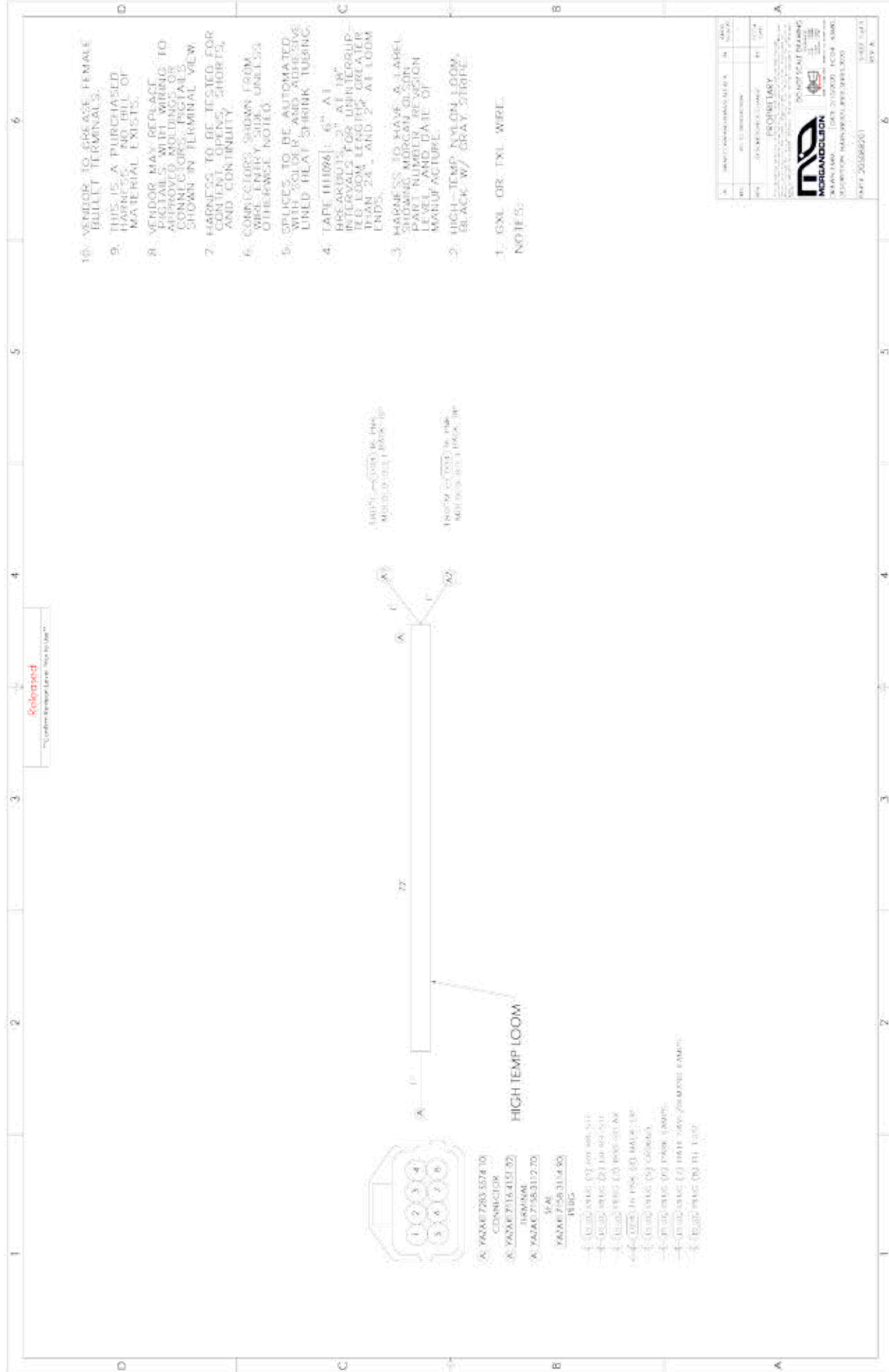




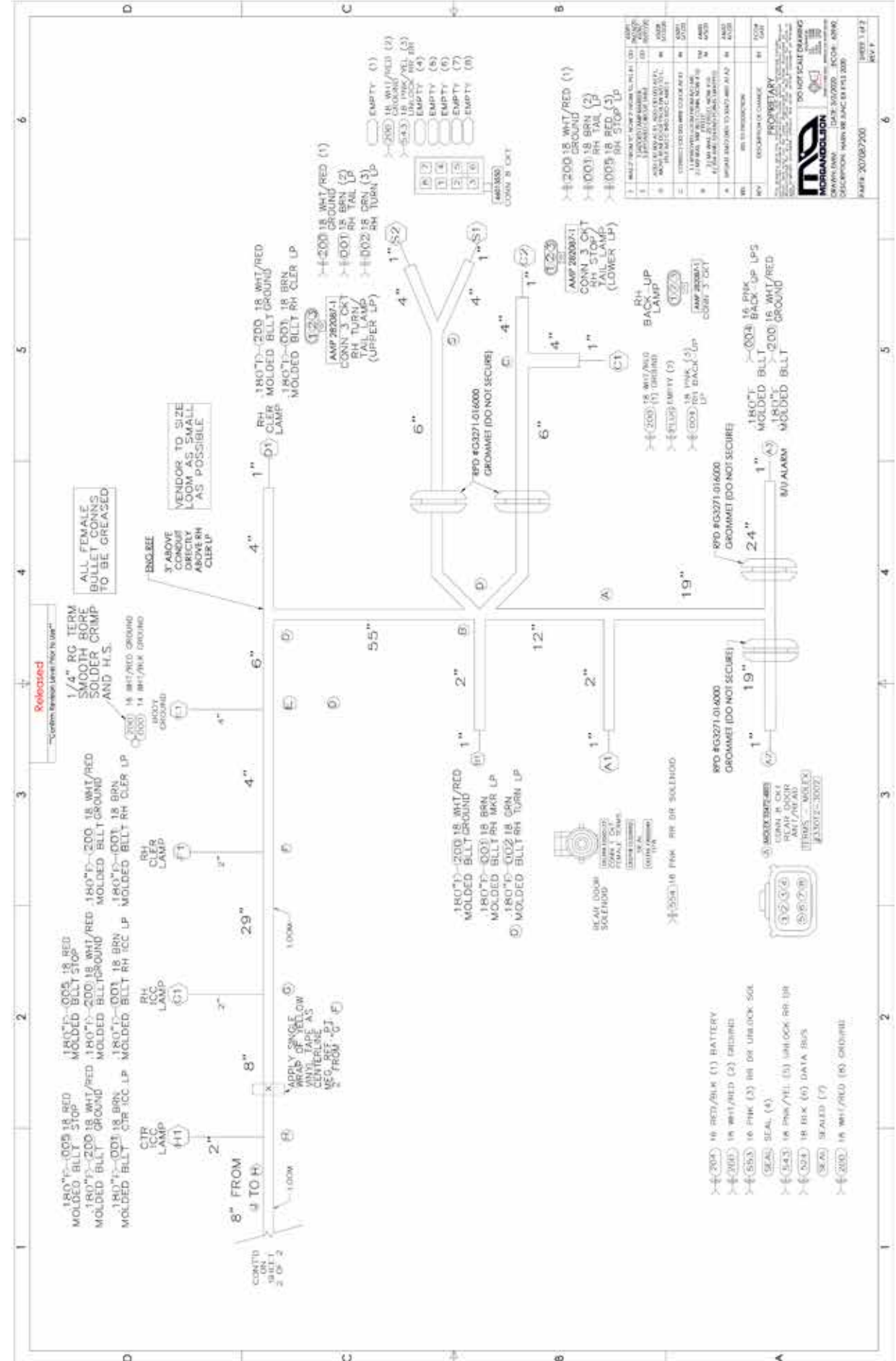
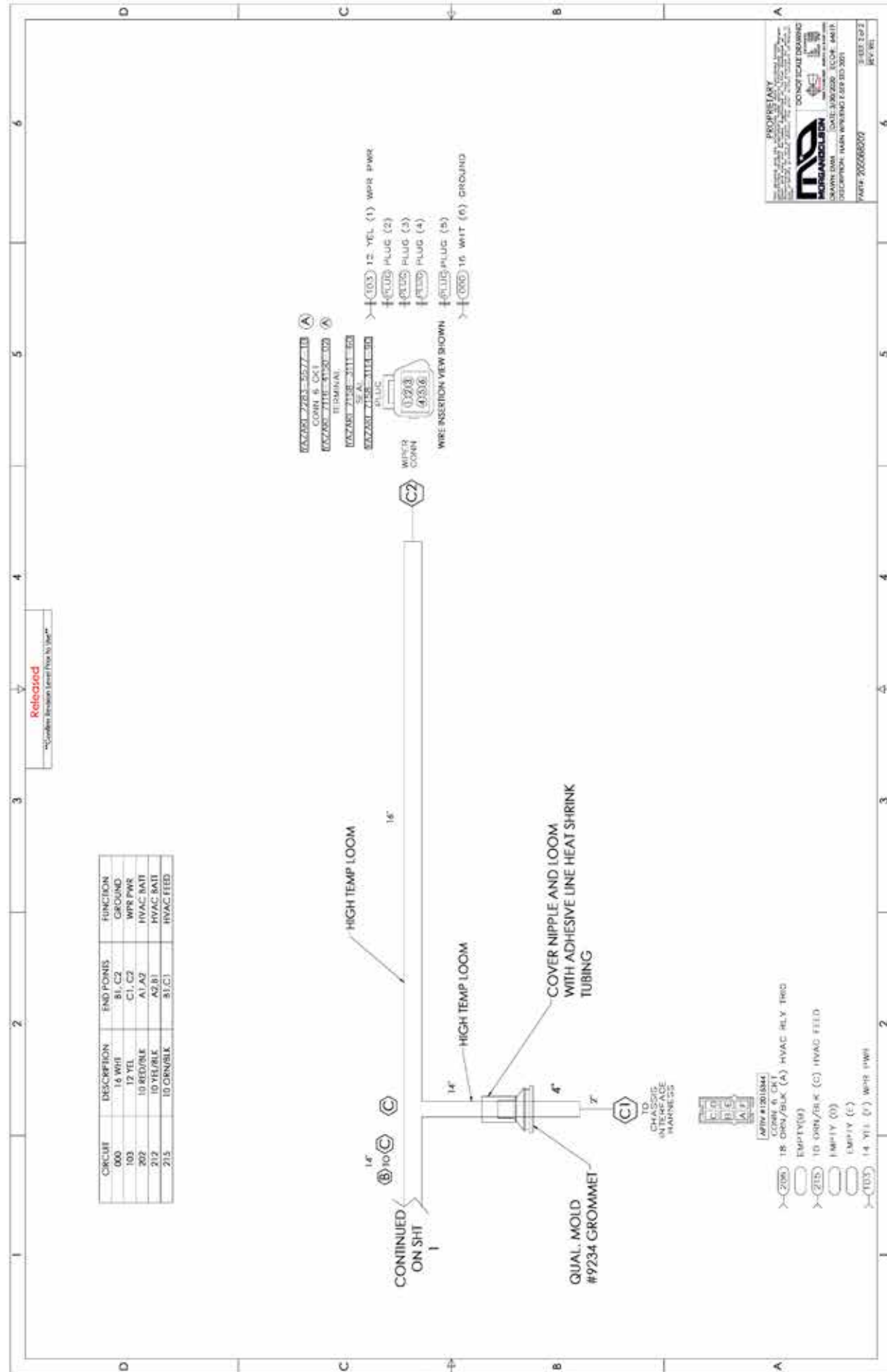
















CIRCUIT	DESCRIPTION	END POINTS	FUNCTION
000	14, 16, 18 WHT	A1, A2, A3, B1, E1, E2, HI	GROUND
001	16 BRN	A1, H2	TAIL, MKR, CLR
002	16 GRN	A1, H3	RH TURN COMBO LP
003	16 YEL	A1, H4	LH TURN COMBO LP
004	16 PNK	A1, H5	BACK UP LPS
005	16 RED	A1, H6	STOP
006	18 TAN	A1, A3	CAB DOME LP
007	18 ORN	A1, F1, G1	LOAD DM LMP
204	16 RED/BLK	A1, E1, H8	BATTERY
524	18 BLK	A1, E1, H7	DATA BUS
532	18 ORN/WHT	A1, B1	BH DR PROX SW
533	18 PNK/WHT	A1, H9	RR DR PROX SW
552	16 ORN	E1, D1	BH DR UNLOCK SOL

**PROPRIETARY**  
This drawing and the information and data contained hereon are the property of Morgan Olson and may not be used, duplicated, or further disclosed without the prior written consent of Morgan Olson.

**DO NOT SCALE DRAWING**

**MORGAN OLSON**

DATE: 2/25/2020 | ECO#: 63960  
 DRAWN: EMM | DESCRIPTION: HARN RF JUNC BX KYLS 2020 16'-18"  
 PART#: 207093200

SHEET: 2 of 2  
REV: E

6

5

4

