

Purolator

We deliver Canada

2020 Parts Catalog



Ford E-450 & F-59 Chassis

2020 Morgan Olson Body



1.800.233.4823
WWW.MORGANOLSON.COM



This parts catalog applies to the following package delivery vehicles;

Pending Items

Update cover photo

Part numbers that are not a hyperlink will require setup in 1102

Parts breakdown for low mount wiper kit pg 45

JV003069 81X16X93 E-450		1FC3E4K66KDC70790		21620261		1FC3E4K63KDC70603		21620337		1FC3E4K68KDC70676		21620146	
Chassis VIN Number	Unit #	1FC3E4K68KDC70791	21620262	1FC3E4K65KDC70604	21620338	1FC3E4K66KDC70677	21620147						
1FC3E4K61KDC32738	21620100	1FC3E4K66KDC70792	21620263	1FC3E4K67KDC70605	21620339	1FC3E4K61KDC70678	21620148						
1FC3E4K67KDC70717	21620188	1FC3E4K61KDC70793	21620264	1FC3E4K69KDC70606	21620340	1FC3E4K63KDC70679	21620149						
1FC3E4K69KDC70718	21620189	1FC3E4K63KDC70794	21620265	1FC3E4K60KDC70607	21620341	1FC3E4K66KDC70680	21620150						
1FC3E4K60KDC70719	21620190	1FC3E4K65KDC70795	21620266	1FC3E4K62KDC70608	21620342	1FC3E4K61KDC70681	21620151						
1FC3E4K67KDC70720	21620191	1FC3E4K67KDC70796	21620267	1FC3E4K64KDC70609	21620343	1FC3E4K63KDC70682	21620152						
1FC3E4K69KDC70721	21620192	1FC3E4K69KDC70797	21620268	1FC3E4K60KDC70610	21620344	1FC3E4K65KDC70683	21620153						
1FC3E4K60KDC70722	21620193	1FC3E4K60KDC70798	21620269	1FC3E4K62KDC70611	21620345	1FC3E4K67KDC70684	21620154						
1FC3E4K62KDC70723	21620194	1FC3E4K62KDC70799	21620270	1FC3E4K64KDC70612	21620346	1FC3E4K65KDC64706	21620155						
1FC3E4K64KDC70724	21620195	1FC3E4K65KDC70800	21620271	1FC3E4K66KDC70613	21620347	1FC3E4K69KDC70685	21620156						
1FC3E4K66KDC70725	21620196	1FC3E4K67KDC70801	21620272	1FC3E4K68KDC70614	21620348	1FC3E4K60KDC70686	21620157						
1FC3E4K68KDC70726	21620197	1FC3E4K69KDC70802	21620273	1FC3E4K6XKDC70615	21620349	1FC3E4K62KDC70687	21620158						
1FC3E4K63KDC70727	21620198	1FC3E4K60KDC70803	21620274	1FC3E4K61KDC70616	21620350	1FC3E4K64KDC70688	21620159						
1FC3E4K61KDC70728	21620199	1FC3E4K62KDC70804	21620275	1FC3E4K63KDC70617	21620351	1FC3E4K66KDC70689	21620160						
1FC3E4K63KDC70729	21620200	1FC3E4K64KDC70805	21620276	1FC3E4K65KDC70618	21620352	1FC3E4K62KDC70690	21620161						
1FC3E4K6XKDC70730	21620201	1FC3E4K66KDC70806	21620277	1FC3E4K67KDC70619	21620353	1FC3E4K64KDC70691	21620162						
1FC3E4K61KDC70731	21620202	1FC3E4K68KDC70807	21620278	1FC3E4K63KDC70620	21620354	1FC3E4K66KDC70692	21620163						
1FC3E4K63KDC70732	21620203	1FC3E4K6XKDC70808	21620279	1FC3E4K65KDC70621	21620355	1FC3E4K68KDC70693	21620164						
1FC3E4K65KDC70733	21620204	1FC3E4K61KDC70809	21620280	1FC3E4K67KDC70622	21620356	1FC3E4K6XKDC70694	21620165						
1FC3E4K67KDC70734	21620205	1FC3E4K68KDC70810	21620281	1FC3E4K69KDC70623	21620357								
1FC3E4K69KDC70735	21620206	1FC3E4K6XKDC70811	21620282	1FC3E4K60KDC70624	21620358								
1FC3E4K60KDC70736	21620207	1FC3E4K61KDC70812	21620283	1FC3E4K62KDC70625	21620359								
1FC3E4K62KDC70737	21620208	1FC3E4K63KDC70813	21620284	1FC3E4K64KDC70626	21620360								
1FC3E4K64KDC70738	21620209	1FC3E4K65KDC70814	21620285	1FC3E4K66KDC70627	21620361								
1FC3E4K66KDC70739	21620210	1FC3E4K67KDC70815	21620286	1FC3E4K68KDC70628	21620362								
1FC3E4K62KDC70740	21620211	1FC3E4K69KDC70816	21620287	1FC3E4K6XKDC70629	21620363								
1FC3E4K64KDC70741	21620212	1FC3E4K65KDC70554	21620288	1FC3E4K66KDC70630	21620364								
1FC3E4K66KDC70742	21620213	1FC3E4K67KDC70555	21620289										
1FC3E4K68KDC70743	21620214	1FC3E4K69KDC70556	21620290										
1FC3E4K6XKDC70744	21620215	1FC3E4K60KDC70557	21620291										
1FC3E4K61KDC70745	21620216	1FC3E4K62KDC70558	21620292										
1FC3E4K63KDC70746	21620217	1FC3E4K64KDC70559	21620293										
1FC3E4K65KDC70747	21620218	1FC3E4K60KDC70560	21620294										
1FC3E4K67KDC70748	21620219	1FC3E4K62KDC70561	21620295										
1FC3E4K69KDC70749	21620220	1FC3E4K64KDC70562	21620296										
1FC3E4K65KDC70750	21620221	1FC3E4K66KDC70563	21620297										
1FC3E4K67KDC70751	21620222	1FC3E4K68KDC70564	21620298										
1FC3E4K69KDC70752	21620223	1FC3E4K6XKDC70565	21620299										
1FC3E4K60KDC70753	21620224	1FC3E4K61KDC70566	21620300										
1FC3E4K62KDC70754	21620225	1FC3E4K63KDC70567	21620301										
1FC3E4K64KDC70755	21620226	1FC3E4K65KDC70568	21620302										
1FC3E4K66KDC70756	21620227	1FC3E4K67KDC70569	21620303										
1FC3E4K68KDC70757	21620228	1FC3E4K63KDC70570	21620304										
1FC3E4K6XKDC70758	21620229	1FC3E4K65KDC70571	21620305										
1FC3E4K61KDC70759	21620230	1FC3E4K67KDC70572	21620306										
1FC3E4K68KDC70760	21620231	1FC3E4K69KDC70573	21620307										
1FC3E4K6XKDC70761	21620232	1FC3E4K60KDC70574	21620308										
1FC3E4K61KDC70762	21620233	1FC3E4K62KDC70575	21620309										
1FC3E4K63KDC70763	21620234	1FC3E4K64KDC70576	21620310										
1FC3E4K65KDC70764	21620235	1FC3E4K66KDC70577	21620311										
1FC3E4K67KDC70765	21620236	1FC3E4K68KDC70578	21620312										
1FC3E4K69KDC70766	21620237	1FC3E4K6XKDC70579	21620313										
1FC3E4K60KDC70767	21620238	1FC3E4K66KDC70580	21620314										
1FC3E4K62KDC70768	21620239	1FC3E4K68KDC70581	21620315										
1FC3E4K64KDC70769	21620240	1FC3E4K6XKDC70582	21620316										
1FC3E4K60KDC70770	21620241	1FC3E4K61KDC70583	21620317										
1FC3E4K62KDC70771	21620242	1FC3E4K63KDC70584	21620318										
1FC3E4K64KDC70772	21620243	1FC3E4K65KDC70585	21620319										
1FC3E4K66KDC70773	21620244	1FC3E4K67KDC70586	21620320										
1FC3E4K68KDC70774	21620245	1FC3E4K69KDC70587	21620321										
1FC3E4K6XKDC70775	21620246	1FC3E4K60KDC70588	21620322										
1FC3E4K61KDC70776	21620247	1FC3E4K62KDC70589	21620323										
1FC3E4K63KDC70777	21620248	1FC3E4K64KDC70590	21620324										
1FC3E4K65KDC70778	21620249	1FC3E4K60KDC70591	21620325										
1FC3E4K67KDC70779	21620250	1FC3E4K62KDC70592	21620326										
1FC3E4K63KDC70780	21620251	1FC3E4K64KDC70593	21620327										
1FC3E4K65KDC70781	21620252	1FC3E4K66KDC70594	21620328										
1FC3E4K67KDC70782	21620253	1FC3E4K68KDC70595	21620329										
1FC3E4K69KDC70783	21620254	1FC3E4K6XKDC70596	21620330										
1FC3E4K60KDC70784	21620255	1FC3E4K61KDC70597	21620331										
1FC3E4K62KDC70785	21620256	1FC3E4K63KDC70598	21620332										
1FC3E4K64KDC70786	21620257	1FC3E4K65KDC70599	21620333										
1FC3E4K66KDC70787	21620258	1FC3E4K68KDC70600	21620334										
1FC3E4K68KDC70788	21620259	1FC3E4K6XKDC70601	21620335										
1FC3E4K6XKDC70789	21620260	1FC3E4K61KDC70602	21620336										

JV003072 81X16X93 E-450

Chassis VIN Number	Unit #
1FC3E4K61KDC70700	21620171
1FC3E4K63KDC70701	21620172
1FC3E4K65KDC70702	21620173
1FC3E4K67KDC70703	21620174
1FC3E4K69KDC70704	21620175
1FC3E4K60KDC70705	21620176
1FC3E4K62KDC70706	21620177
1FC3E4K64KDC70707	21620178
1FC3E4K66KDC70708	21620179
1FC3E4K68KDC70709	21620180

JV003071 81X16X93 F-59 Low Mount Wiper

Chassis VIN Number	Unit #
1FC3E4K61KDC70695	21620166
1FC3E4K63KDC70696	21620167
1FC3E4K65KDC70697	21620168
1FC3E4K67KDC70698	21620169
1FC3E4K69KDC70699	21620170

JV003073 81X16X86 E-450

Chassis VIN Number	Unit #
1FC3E4K64KDC70710	21620181
1FC3E4K66KDC70711	21620182
1FC3E4K68KDC70712	21620183
1FC3E4K6XKDC70713	21620184
1FC3E4K61KDC70714	21620185
1FC3E4K63KDC70715	21620186
1FC3E4K65KDC70716	21620187

JV003070 81X18X93 F-59

Chassis VIN Number	Unit #
1F65F5KN3L0A01371	21820365
1F65F5KN5L0A01372	21820366
1F65F5KN7L0A01373	21820367
1F65F5KN9L0A01374	21820368
1F65F5KN0L0A01375	21820369
1F65F5KN2L0A01376	21820370
1F65F5KN4L0A01377	21820371
1F65F5KN6L0A01378	21820372
1F65F5KN8L0A01379	21820373
1F65F5KN0L0A01380	21820374

JV003074 81X18X93 F-59

Chassis VIN Number	Unit #
1F65F5KN6L0A01381	1820375
1F65F5KN8L0A01382	1820376
1F65F5KN0L0A01383	1820377
1F65F5KN2L0A01384	1820378
1F65F5KN4L0A01385	1820379

APPLICATION - VINS & UNIT #S	3
TABLE OF CONTENTS	4
INTRODUCTION	5
CAB - ENGINE BOX - WINDSHIELD 93W	6-7
CAB - ENGINE BOX - WINDSHIELD 86W	8-9
STEPS - ENGINE BOX INSULATION	10-11
HEATER - DEFROSTER	12-13
HOOD	14-15
INSTRUMENT PANEL & SEATS	16-17
FLOOR	18-19
SIDES	20-21
ROOF - BACK	22-23
SIDE DOOR - SIDE DOOR POCKET	24-25
ROLL UP WINDOW	26-27
BULKHEAD	28-29
ROLL UP DOOR - PART NUMBER 47005936	30-35
SHELVING / CARGO CONTROL FOLDING	36-37
SHELVING / CARGO CONTROL FIXED	38-39
BUMPERS 86W	40
KEYLESS SYSTEMS	41
MIRRORS & WIPER ASSEMBLY	42-43
WIPER SYSTEM LOW MOUNT	44-45
MISCELLANEOUS	46-47
ELECTRICAL	48-49
WALK-IN VAN COMMON FASTENERS	50-54
WIRING HARNESS	55
WIRING DIAGRAMS	56-93

This parts catalog applies to Morgan Olson Walk-In Vans
Purolator 2020 on FORD E-450 & F-59 Chassis



NOTE* - 2020 Vehicle sizes differ slightly, the majority are 93" wide by 16' long.
Two other variations are; 86" Wide by 16' and 93"W by 18' long.

Please locate your VIN / Unit number on page 3 to verify which dimension vehicle you have.

How to order parts from Morgan Olson.

The first step is to locate the part numbers you would like to order.

Method 1 (Recommended)

Go to our parts web site, WWW.MORGANOLSONPARTS.COM and search your vehicle VIN number to get a list of parts generated directly from your vehicles Bill of Material.

You can filter the list of items further by selecting a category for the location of the parts. IE. Bumper, Hood, Glass, Rear Door, etc.

You may change the search drop down menu to search by part number, description, unit number or VMRS number.

Method 2

Use this parts catalog to identify your part numbers.

Then go to WWW.MORGANOLSONPARTS.COM and search by part number to add the items to your shopping cart.

Method 3

Call our Parts Department at 1-800-233-4823.

Please have your VIN number available and one of our customer service representatives will be able to help you identify the parts you need.

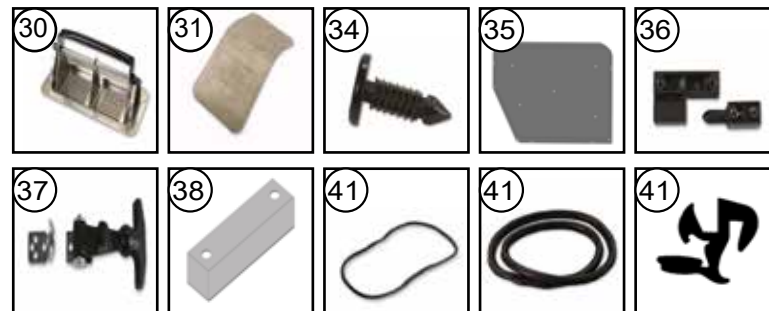
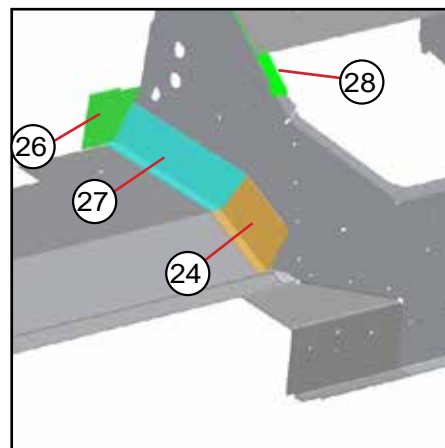
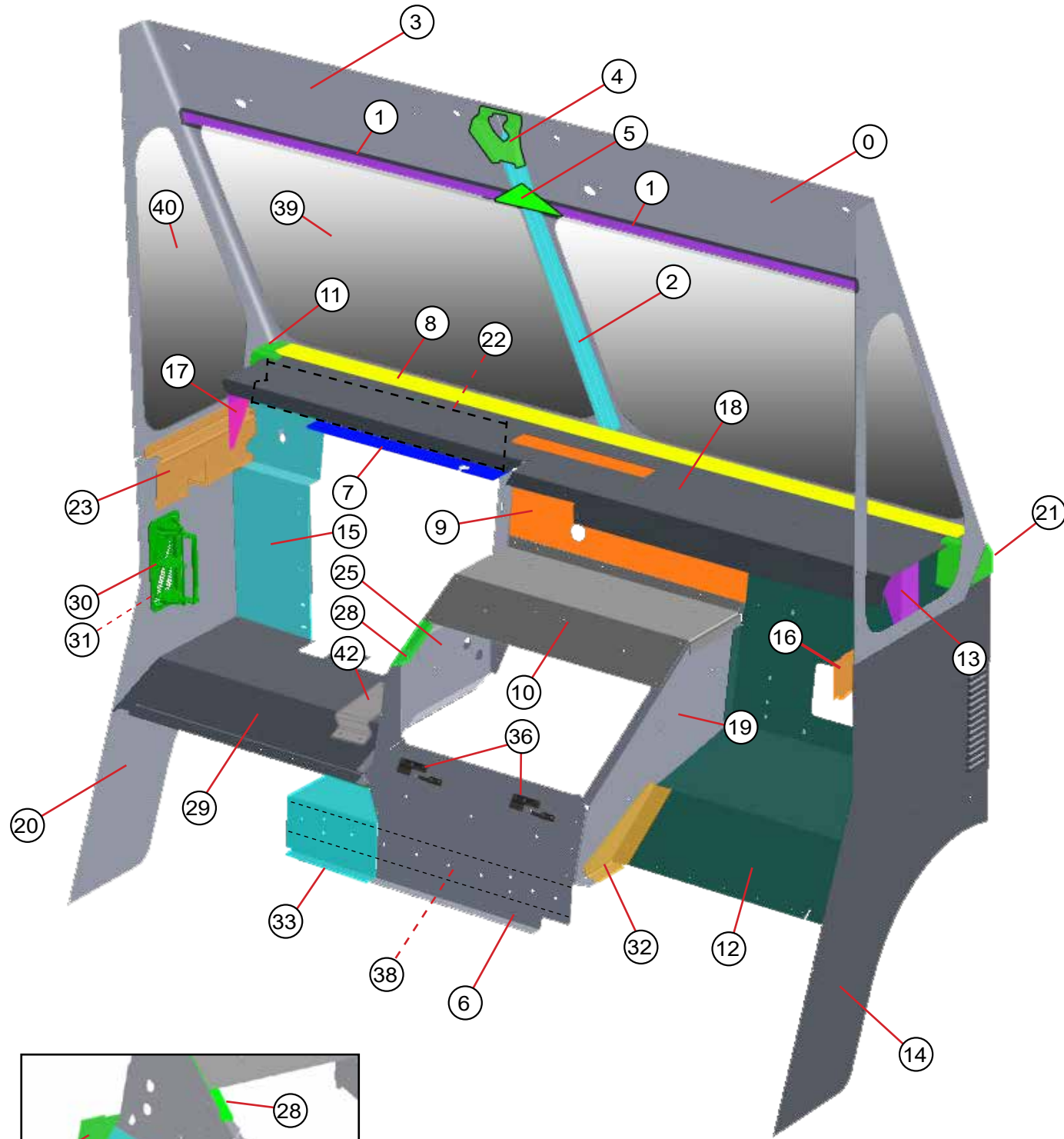
*If you already know the part numbers of the items you want to order, use our Quick Order page to enter your part numbers and quantities, then click add to cart. WWW.MORGANOLSONPARTS.COM/QUICK-ORDER

Note* Orientation is always from the rear of the vehicle looking forward.

Roadside = Left Hand LH

Curbside = Right Hand RH

For warranty information, please call 1-800-262-3437

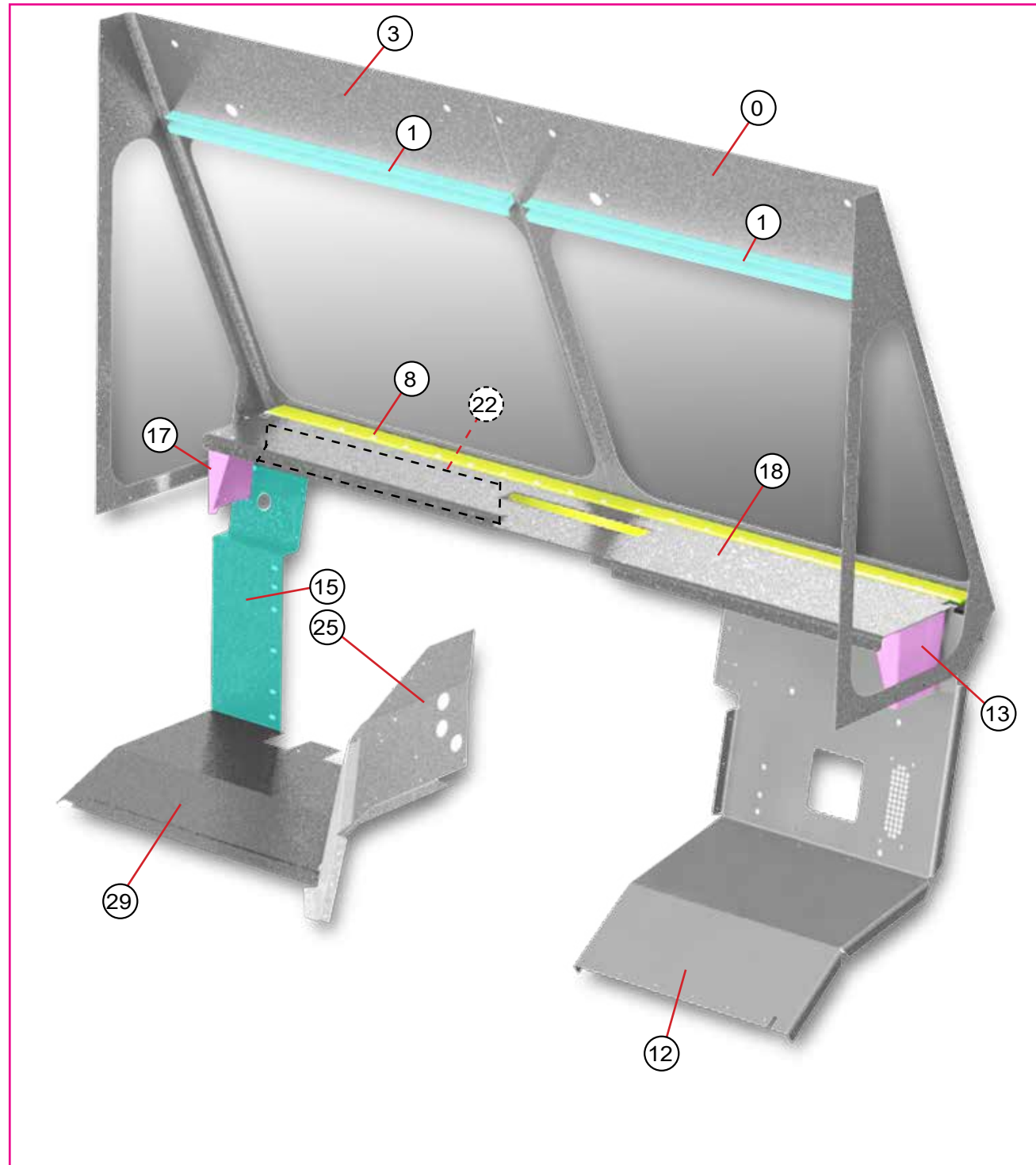


ITEM	PART #	DESCRIPTION	QTY.	UNIT
0	088055402	FRAME WINDSHIELD AL .102X49.72X70.07 RH	1	EA
1	077055404	STIFFENER WINDSHIELD AL 450540X44.25	2	EA
2	077055400	POST WINDSHIELD CENTER AL 450540X40	1	EA
3	088055401	FRAME WINDSHIELD AL .102X49.72X69.77 LH	1	EA
4	077055402	GUSSET FRAME WINDSHIELD AL .125X6.49X7.27	1	EA
5	998555329	GUSSET FRAME WINDSHIELD AL .125X4.6X9.19	1	EA
6	155005411	ENGINE BOX SADDLE AL .102X15.61X23.8	1	EA
7	155005409	DASH UPPER AL .125X4.57X23.75 LH	1	EA
8	083023402	RAIL WINDSHIELD 93W AL 851100X89	1	EA
9	165005410	DASH WALL CENTER AL .102X14.85X31.69	1	EA
10	095005437	ENGINE BOX TOP AL .102X15.66X30.49	1	EA
11	8502000	CORNER AL CAST WINDSHIELD LH	1	EA
12	175005402	TOE BOARD AL .125X32.88X47.75 RH	1	EA
13	083005419	SUPPORT RAIL WINDSHIELD AL.102X5.74X8.27 RH	1	EA
14	207005402	CAB SKIRT AL .07X40.6X45.91 RH	1	EA
15	095005435	DASH WALL OUTER AL .102X13.64X28.36	1	EA
16	157005402	STIFFENER WINDSHIELD AL .125X12.07X17.69 RH	1	EA
17	083005418	SUPPORT RAIL WINDSHIELD AL .102X5.74X8.27 LH	1	EA
18	125027406	SHELF DASH AL .102X13.74X89	1	EA
19	155005418	ENGINE BOX PANEL AL .125X21.52X29.91 RH	1	EA
20	095005444	CAB SKIRT AL .07X40.60X45.91 LH	1	EA
21	8502001	CORNER AL CAST WINDSHIELD RH	1	EA
22	095005431	DASH WALL UPPER AL LH (BETWEEN ITEMS 7 AND 18)	1	EA
23	083005521	STIFFENER WINDSHIELD AL .125X10.93X17.81 LH	1	EA
24	155005419	ENGINE BOX ADAPTOR AL .102X4.72X9.82	1	EA
25	155005412	ENGINE BOX PANEL AL .102X19.94X32.53 LH	1	EA
26	115005452	CLOSURE CAB AL .07X4.67X6.6	1	EA
27	115005450	ADAPTOR ENGINE BOX AL .102X4.36X13.39	1	EA
28	155005415	ENGINE BOX UPPER PANEL AL .102X2.59X11.82	1	EA
29	115005453	TOE BOARD AL .125X21.01X36.54 LH	1	EA
30	47008545	VENT AL 2WAY HINGELESS (GUARD - 003711425)	1	EA
31	47008548	GASKET FOR VENT #47008545	1	EA
32	077050406	GUSSET TOEBOARD AL .125X5.33X14.88 RH	1	EA
33	155005416	ENGINE BOX SADDLE FILLER AL .102X12.8X13.78	1	EA
34	47006630	CLIP PLASTIC ROUND HEAD 1.32-1.34	17	EA
35	105028400	LID ENGINE BOX AL .102X18.6X32.44	1	EA
36	47007859	HINGE OFFSET	2	EA
37	1113336	LATCH ENGINE BOX ADJUSTABLE DRAW	2	EA
38	117028400	SHIM ENGINE BOX	1	EA
39	96756400	GLASS WINDSHIELD	2	EA
40	083056401	GLASS SIDE TRIANGLE	2	EA
41	44004303	WEATHER STRIP MOULDING FOR WINDSHIELD X147.5	2	EA
41	44004305	WEATHER STRIP MOULDING FOR SIDE GLASS X85.5	2	EA
42	155005420	HEEL REST ALD .125X11.17X11.83	1	EA
NS	47009600	CARPET GREY ENGINE BOX LID	3	FT

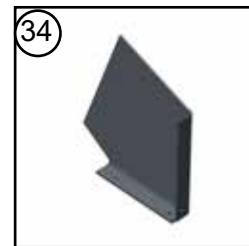
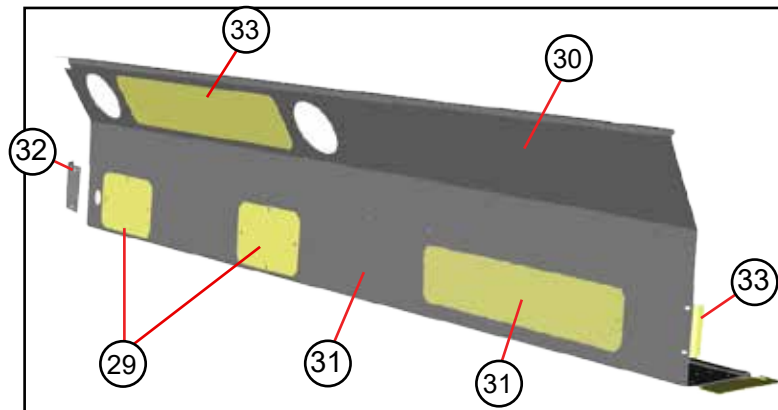
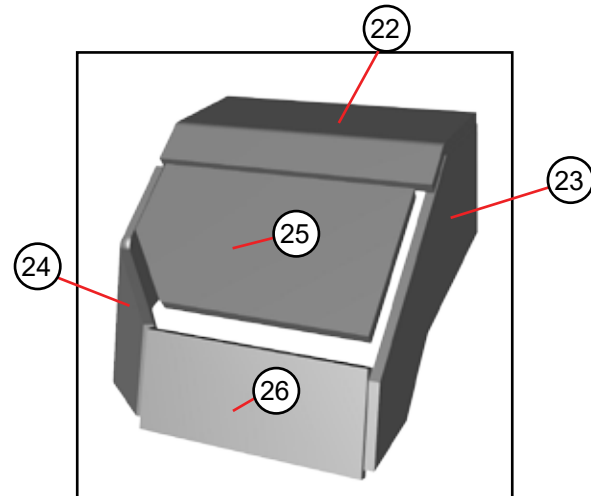
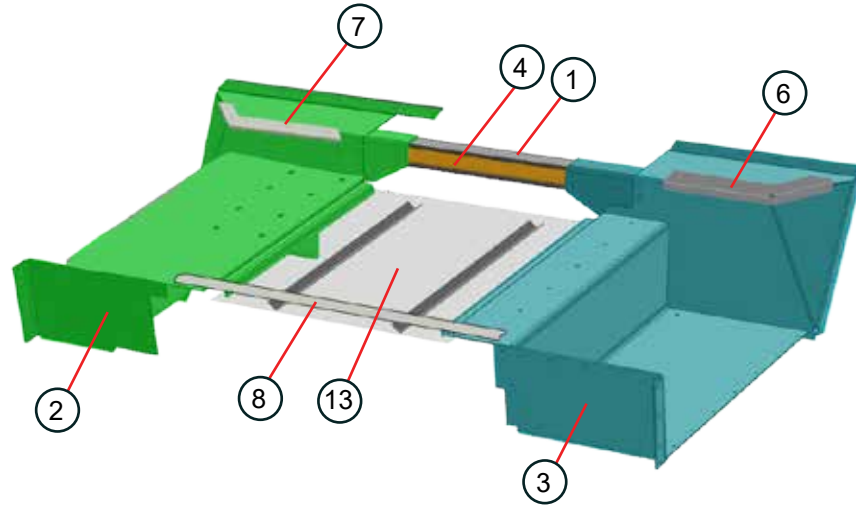
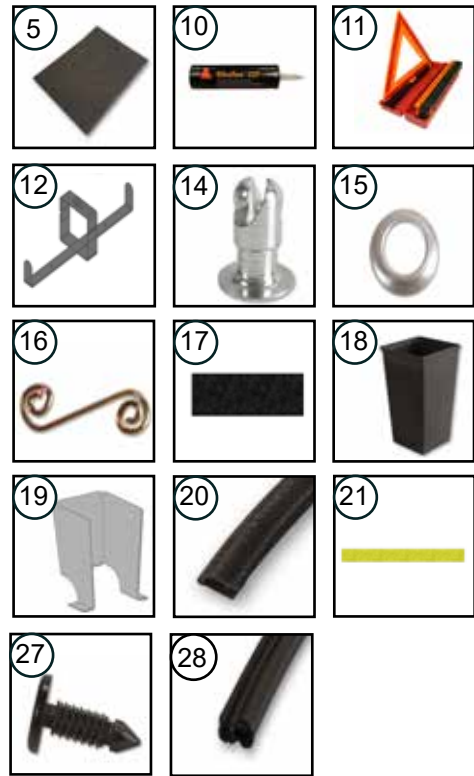
The parts on this page are for the 86 inch wide vehicles only. Cab & Windshield parts not listed here are the same as the parts for the 93 inch wide on the previous pages.

JV003073 81 X 16 X 86

Chassis VIN Number	Unit #
1FC3E4K64KDC70710	21620181
1FC3E4K66KDC70711	21620182
1FC3E4K68KDC70712	21620183
1FC3E4K6XKDC70713	21620184
1FC3E4K61KDC70714	21620185
1FC3E4K63KDC70715	21620186
1FC3E4K65KDC70716	21620187



ITEM	PART #	DESCRIPTION	QTY.	UNIT
0	088055418	FRAME WINDSHIELD AL .102X49.72X66.57 RH	1	EA
0	207055404	FRAME WINDSHIELD RH LOW MOUNT WIPER	1	EA
1	077055403	STIFFENER WINDSHIELD AL 450540X40.75	2	EA
3	088055417	FRAME WINDSHIELD AL .102X49.72X66.27 LH	1	EA
3	207055403	FRAME WINDSHIELD LH LOW MOUNT WIPER	1	EA
8	083023400	RAIL WINDSHIELD 86W AL 851100X82	1	EA
12	095005425	TOE BOARD AL .125X28.95X47.44 RH	1	EA
13	177005412	SUPPORT RAIL WINDSHIELD AL .102X8.26X9.65 RH	1	EA
15	095005433	DASH WALL OUTER AL .102X10.14X28.36	1	EA
17	177005411	SUPPORT RAIL WINDSHIELD AL .102X8.26X9.65 LH	1	EA
18	093005510	SHELF DASH AL .125X13.8X89	1	EA
22	095005429	DASH WALL UPPER AL LH (UNDER DASH SHELF)	1	EA
25	205005408	ENGINE BOX PANEL AL .102X19.94X29.41 LH	1	EA



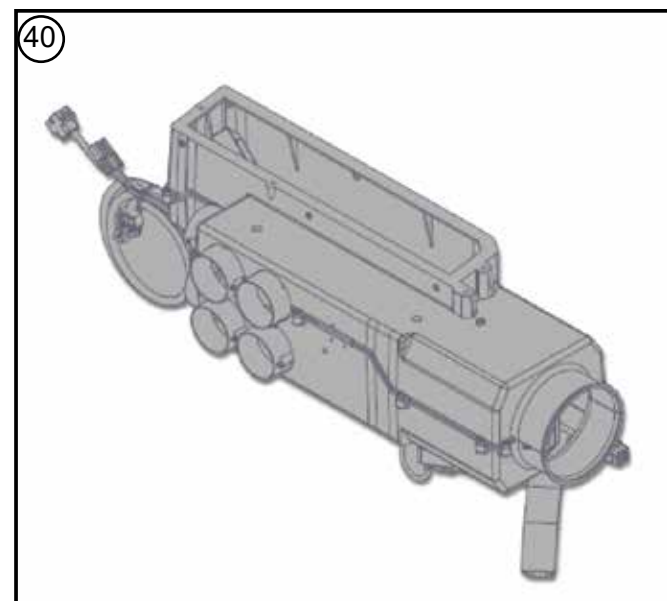
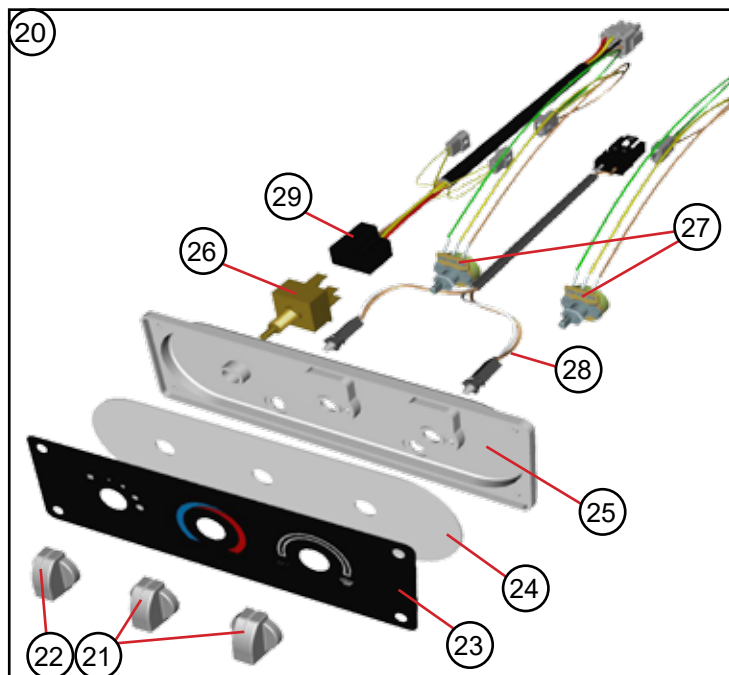
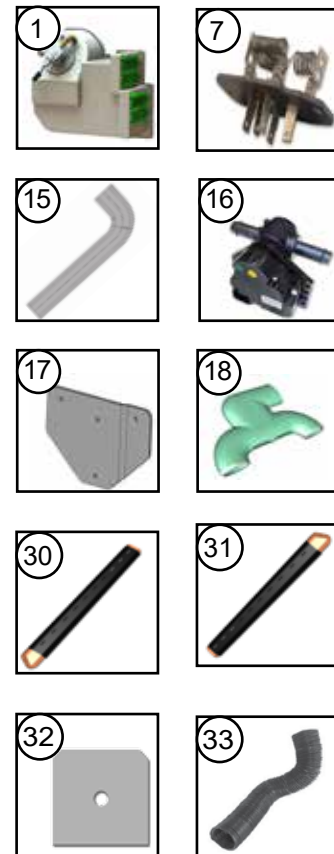
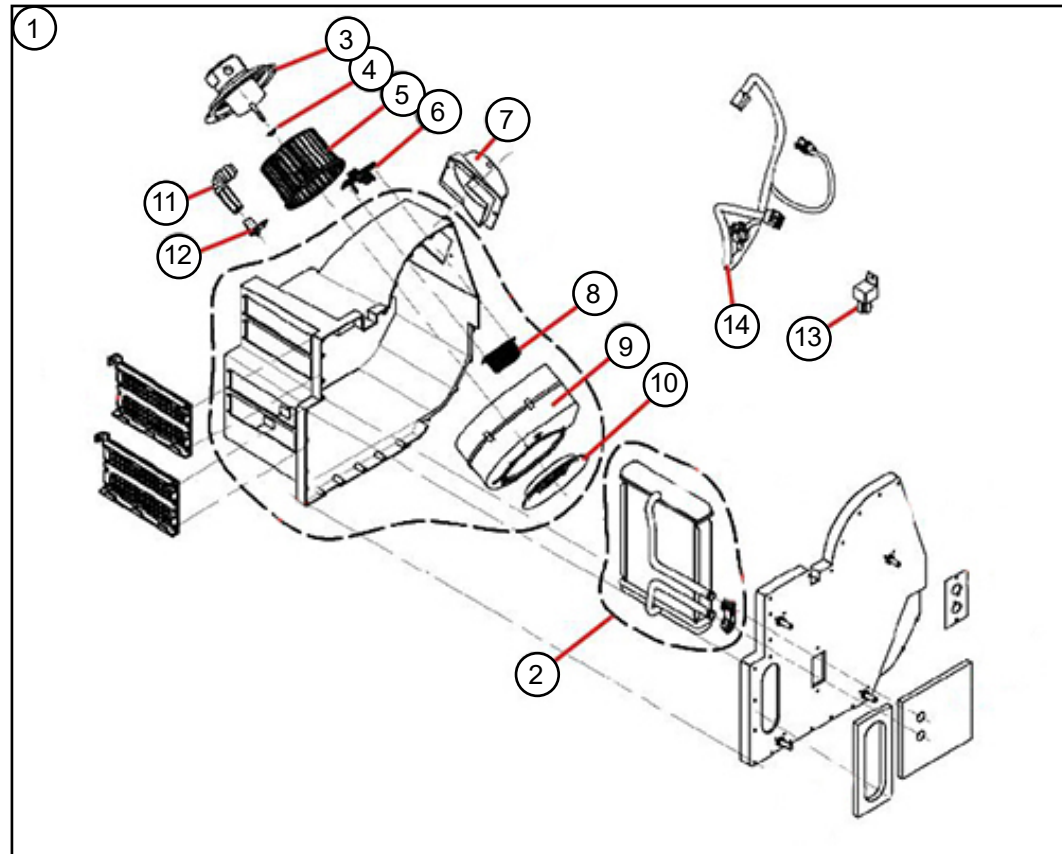
ITEM #	PART #	DESCRIPTION	QTY.	UNIT
1	077240400	CROSSMEMBER CENTER AL 456106X41	1	EA
2	105024207	STEP ASSEMBLY WELDMENT ROADSIDE 93W F59	1	EA
3	095024242	STEP ASSEMBLY WELDMENT CURBSIDE 93W F59	1	EA
2	105024205	STEP ASSEMBLY WELDMENT ROADSIDE 86W F59	1	EA
3	095024240	STEP ASSEMBLY WELDMENT CURBSIDE 86W F59	1	EA
4	077050402	SHIM AL .25X1.62X20.8	1	EA
5	42002059	PAD RUBBER RIBBED 54X96	1	EA
6	095019437	TRIM TOEBOARD ALD .08X7.54X23.87 RH	1	EA
7	175019403	TRIM TOEBOARD ALD .08X2.77X35.31 LH	1	EA
8	148019403	TRIM @ O-LINE ALD .08X2.29X63.66	1	EA
10	41002103	SEALANT/ADHESIVE	2	EA
11	47009547	SAFETY KIT 3 TRIANGLES IN STORAGE BOX	1	EA
12	47009548	BRACKET MOUNTING TRIANGLE KIT	1	EA
13	115024207	TRANSVERSE FLOOR PLATE WELDMENT	1	EA
14	40900080	STUD	7	EA
15	40900081	GROMMET HALF	7	EA
16	40900082	SPRING	7	EA
17	45200345	PLATE STEP FBG ANTI SLIP .125X13.84X25.13	1	EA
17	45400582	ANTI SLIP RH STEP	1	EA
18	45200051	TRASH RECEPTICLE	1	EA
19	05M078011	SUPPORT RECEPTICLE AL .125X19.89X24.7	1	EA
20	1129005	TRIM QUICK EDGE	7	FT
21	45400523	ANTI SLIP YELLOW VINYL	1	EA

ENGINE BOX INSULATION

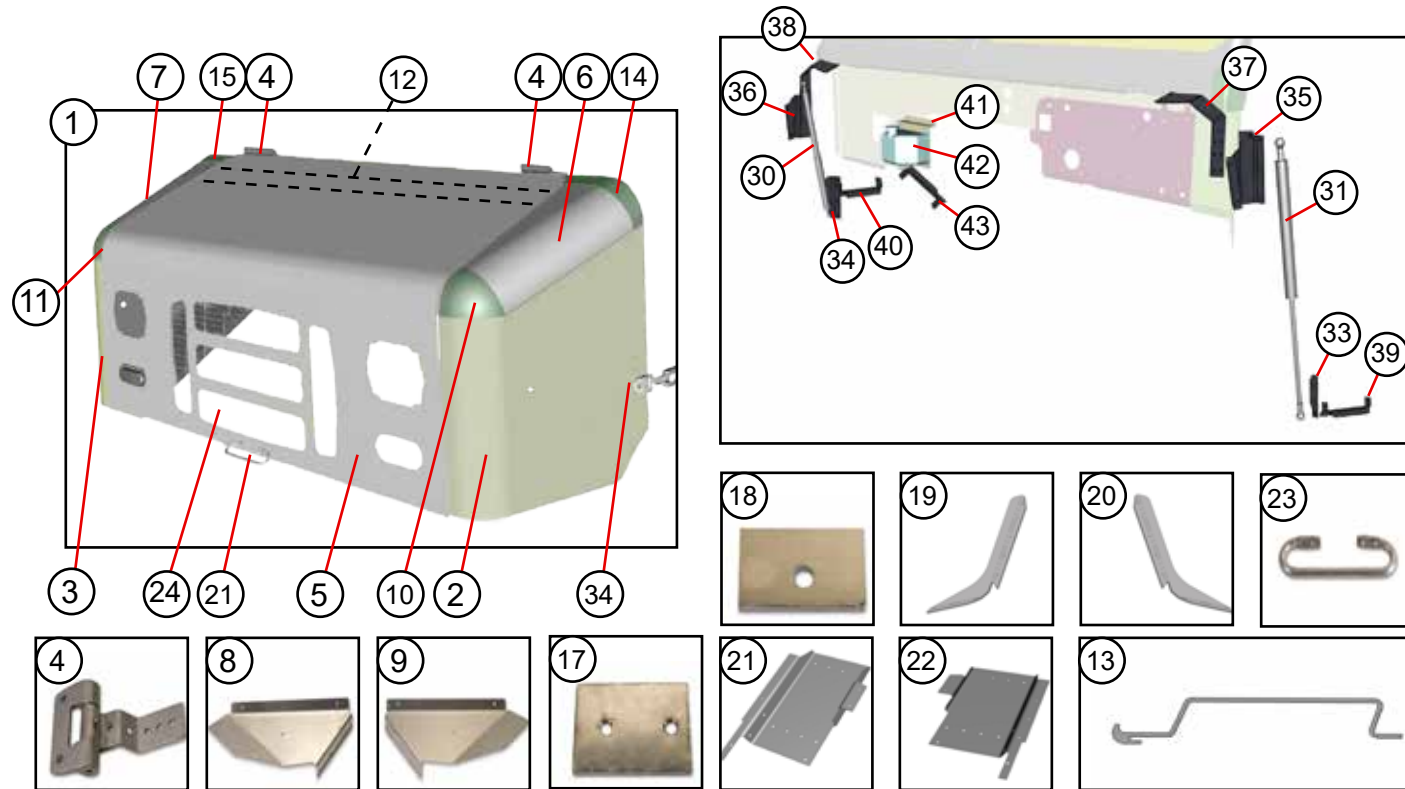
22	195005413	INSULATION E/BX PSA	1	EA
23	195005412	INSULATION E/BX PSA RH	1	EA
24	195005414	INSULATION E/BX	1	EA
25	195005415	INSULATION E/BX	1	EA
26	195005416	INSULATION E/BX SADDLE	1	EA
27	47006630	CLIP PLASTIC ROUND HEAD	15	EA
28	1107270	SEAL QUICK EDGE	8	FT

COVER WIPER ASSEMBLY

29	088076431	PLATE COVER WPR MTR AL .102X5X12	2	EA
30	088076437	COVER MOTOR WPR AL .102X10.85X87.25	1	EA
31	165076402	SHELF LOWER AL .102X16.9X90.31	1	EA
30	158076405	COVER MOTOR WPR AL .102X10.85X80.25	1	EA
31	158076404	SHELF LOWER AL .102X16.9X83.31	1	EA
32	088076449	BRACKET MOUNTING AL .102X2.36X3.9 LH	1	EA
33	097076435	PLATE COVER ACC AL .070X6X28.38	2	EA
34	088076451	DIVIDER SHELF AL .102X9.01X9.46	1	EA



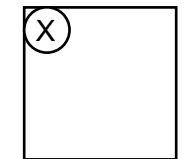
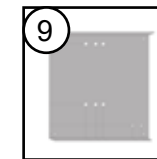
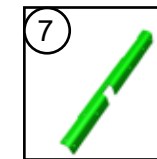
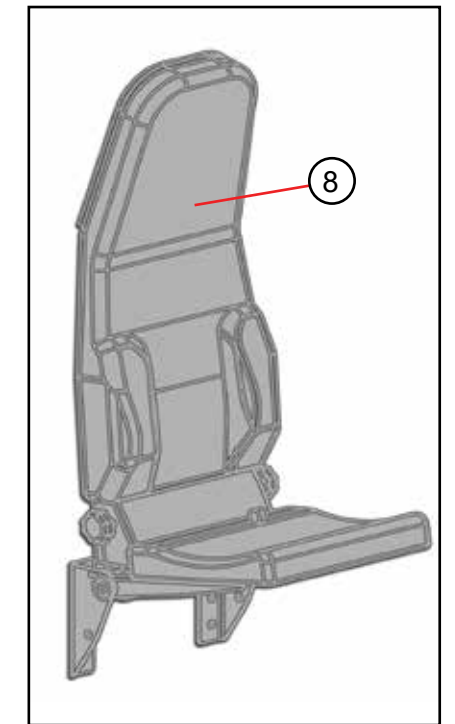
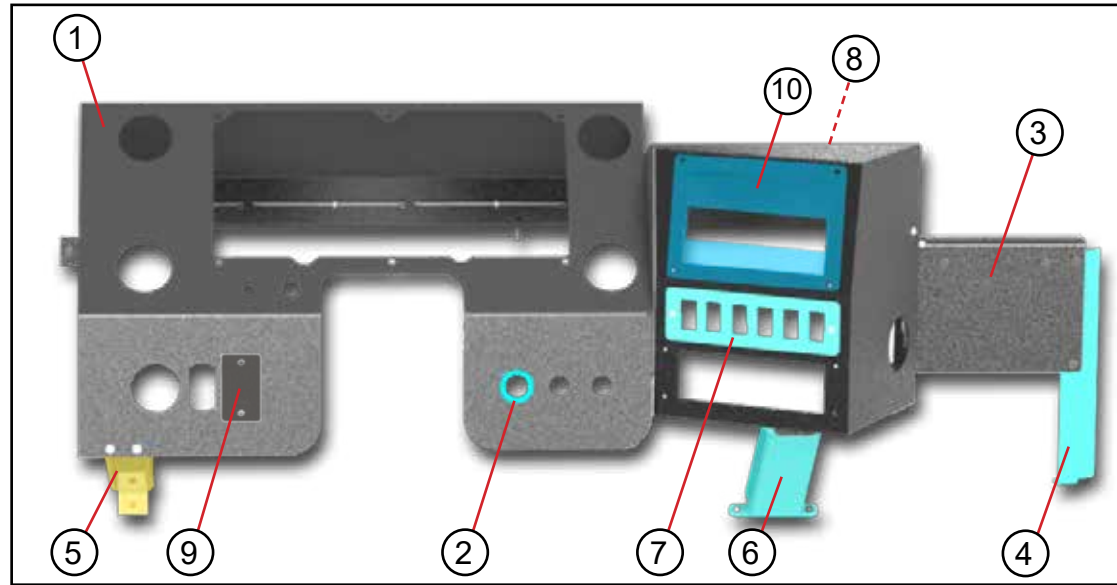
ITEM #	PART #	DESCRIPTION	QTY	UNIT
1	555001018	HEATER ASSEMBLY	1	EA
2	47008797	HEATER COIL W/GASKET	1	EA
3	46032339	BLOWER MOTOR	1	EA
4	47008799	CLIP	1	EA
5	47008769	BLOWER WHEEL	1	EA
6	47008357	RESISTER	1	EA
7	47008800	HOSE ADAPTER	1	EA
8	47008795	RESISTER CAGE	1	EA
9	47008794	BLOWER HOUSING	1	EA
10	47008796	VENTURI RING	1	EA
11	47008730	VENT TUBE	1	EA
12	47008731	VENT TUBE ADAPTER	1	EA
13	47008716	RELAY	1	EA
14	47008758	HARNESS	1	EA
15	47008580	FORMED HEATER HOSE	2	EA
16	555002053	VALVE WATER	1	EA
17		PLATE MOUNTING FOOT DUMP AL .07X4.25X5.53	1	EA
18		DUCT FOOT DUMP - VENT	1	EA
20	555001413	CONTROL PANEL ASSEMBLY	1	EA
21	47008706	KNOB	2	EA
22	47008735	KNOB	1	EA
23	47008707	DECAL	1	EA
24	47008708	LIGHT PANEL	1	EA
25	47008709	CONTROL SUB PANEL	1	EA
26	46023202	BLOWER SWITCH	1	EA
27	47008710	POTENTIOMETER SWITCH	2	EA
28	47008711	HARNESS ILLUMINATION W/BULBS	1	EA
29	47008712	HARNESS BLOWER MOTOR SWITCH	1	EA
30	555001723	DEFROST DUCT CURBSIDE METAL	1	EA
31	555001724	DEFROST DUCT ROADSIDE METAL	1	EA
32	093080400	HOLD DOWN PLATE DEFROSTER DUCTS	4	EA
33	555001524	HOSE DEFROSTER 2.5X30	1	EA
34	555001525	HOSE DEFROSTER 2.5X38 (2X DEFROSTER / 1XFOOT DUMP)	3	EA
35	555002006	FRESH AIR INTAKE SIDE WALL	1	EA
36	555002005	FRESH AIR INTAKE @ TOEBOARD	1	EA
37	555001715	LOUVER BALL	6	EA
38	555001532	HOSE BLOWER HEATER / DEFROSTER 4"	1	EA
39	002080400	BRACKET MOUNTING WATER VALVE AL .102X3X11.67	1	EA
40	555001323	PLENUM DUCT HVAC	1	EA
41	555001523	HOSE DEFROSTER 2.5X16	1	EA
42	47008017	CONNECTOR STRAIGHT .62ID BLACK NYLON	2	EA
43	47008705	ACTUATOR MOTOR	1	EA



ITEM #	PART #	DESCRIPTION	QTY.	UNIT
1	095017207	HOOD ASSEMBLY AL TILT 93W FORD	1	EA
1	095017205	HOOD ASSEMBLY AL TILT 86W FORD	1	EA
2	095017405	HOOD SKIRT AL .07X27.89X29.9 ROADSIDE	1	EA
3	095017406	HOOD SKIRT AL .07X27.89X29.9 CURBSIDE	1	EA
4	47007852	HINGE ASSEMBLY	2	EA
5	105017402	PANEL HOOD 93W AL .07X48.92X74	1	EA
5	105017400	PANEL HOOD 86W AL .07X48.92X67	1	EA
6	095017407	COWL HOOD ROADSIDE AL .07X15.19X17.47 LH	1	EA
7	095017408	COWL HOOD CURBSIDE AL .07X15.19X17.47 RH	1	EA
8	95817312	GUSSET CORNER ROADSIDE AL .07X13.52X14.72	1	EA
9	95817313	GUSSET CORNER CURBSIDE AL .07X13.52X14.72	1	EA
10	45100057	CORNER CAST KNEE COWL FRONT ROADSIDE	1	EA
11	45100058	CORNER CAST KNEE COWL FRONT CURBSIDE	1	EA
12	088017420	STIFFENER HOOD 93W AL 450015X68.62	1	EA
12	088017418	STIFFENER HOOD 86W AL 450015X61.62	1	EA
13	45001500	BRACKET HOOD AL HOOD X69.77	1	EA
14	45100060	CAP COWL END ROADSIDE	1	EA
15	45100061	CAP COWL END CURBSIDE	1	EA
17	91617304	PLATE TAP AL .188X2X2.69	2	EA
18	96717312	SHIM HOOD AL .125X.62X1.88	2	EA
19	095017420	STIFFENER HOOD AL .102X15.92X22.83 LH	1	EA
20	095017421	STIFFENER HOOD AL .102X15.92X22.83 RH	1	EA
21	095017422	STIFFENER HOOD AL .102X10.98X12 LH	1	EA
22	095017423	STIFFENER HOOD AL .102X10.98X12 RH	1	EA

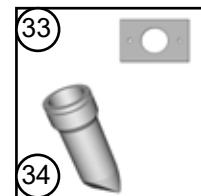
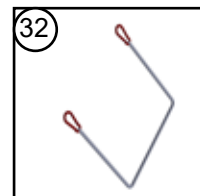
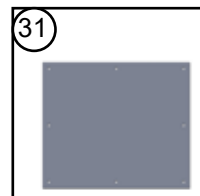
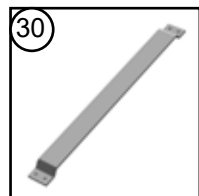
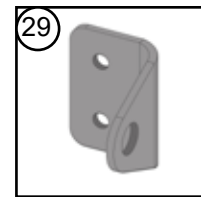
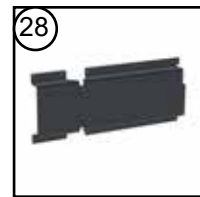
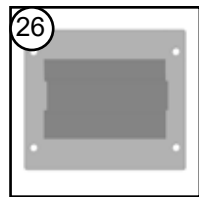
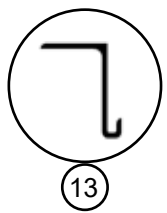
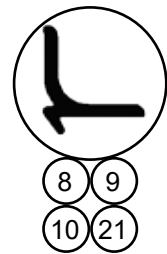
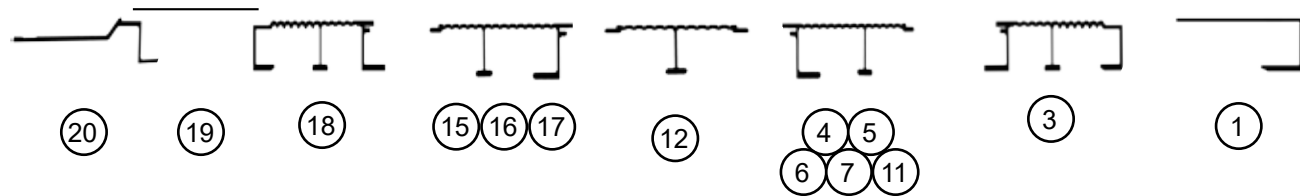
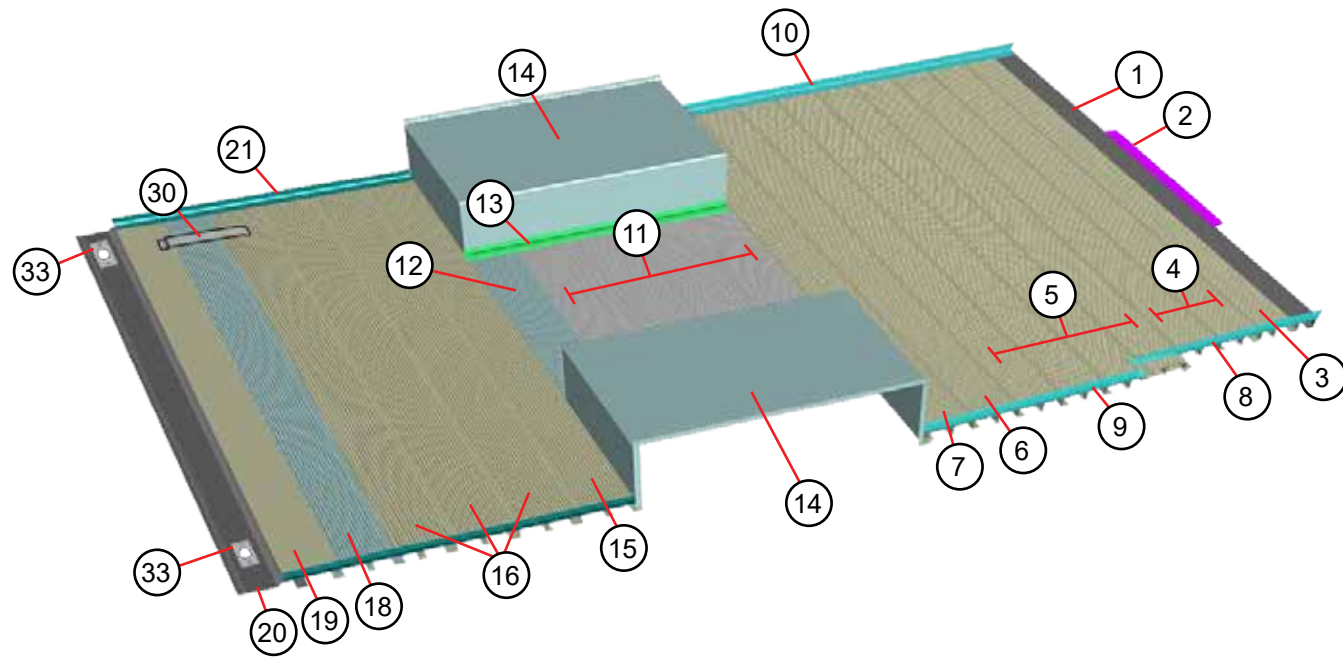


ITEM #	PART #	DESCRIPTION	QTY.	UNIT
23	90187300	GRAB HANDLE .5DIAX15.7	1	EA
24	45700101	MESH GRILLE 20.5X38.81	1	EA
29	44002004	BUMPER RUBBER HOOD STOP	2	EA
30	47006105	GAS SPRING WITH LOCK 110 LB E-450	1	EA
31	47006106	GAS SPRING WITH OUT LOCK 110 LB E-450	1	EA
30	47006116	GAS SPRING WITH LOCK 150 LB F-59	1	EA
31	47006117	GAS SPRING WITH OUT LOCK 150 LB F-59	1	EA
32	47006086	STUD BALL .31-18	4	EA
33	077160405	BRACKET LOWER HOOD AL .188X2.84X6.34 LH	1	EA
34	077160406	BRACKET LOWER HOOD AL .188X2.84X6.34 RH	1	EA
35	077160400	BRACKET HOOD AL .125X6.76X7.75 LH	1	EA
36	077160401	BRACKET HOOD AL .125X6.76X7.75 RH	1	EA
37	095016401	BRACKET GAS SPRING AL .125X6.41X16.41 LH	1	EA
38	095016402	BRACKET GAS SPRING AL .125X6.41X16.41 RH	1	EA
39	095016403	CAB SKIRT SUPPORT AL.125X3.38X11.18 LH	1	EA
40	175016400	BRACKET HOOD PROP AL .188X1X9.03	1	EA
41	095017203	GRILLE SUPPORT WELDMENT HOOD 93W	1	EA
41	095017201	GRILLE SUPPORT WELDMENT HOOD 86W	1	EA
42	46000213	HEADLAMP ASSEMBLY	2	EA
43	47000613	LATCH HOOD	2	EA
44	43000903	LABEL HOOD PROPER OPERATION	1	EA
45	175015400	BRACKET HOOD REST STL7GAX7X28.53	1	EA
46	083016400	SHIM AL .102X1X5.5	2	EA
47	44004077	RUBBER HOOD SEAL TAPE	4	FT

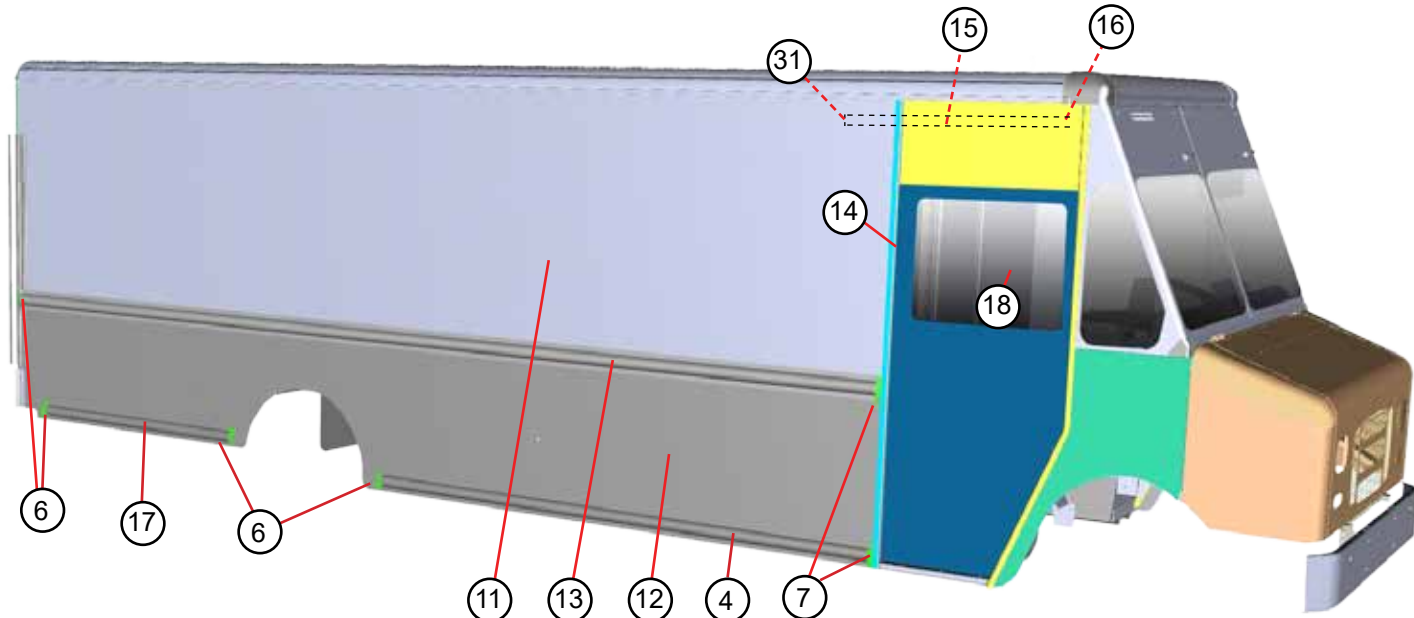
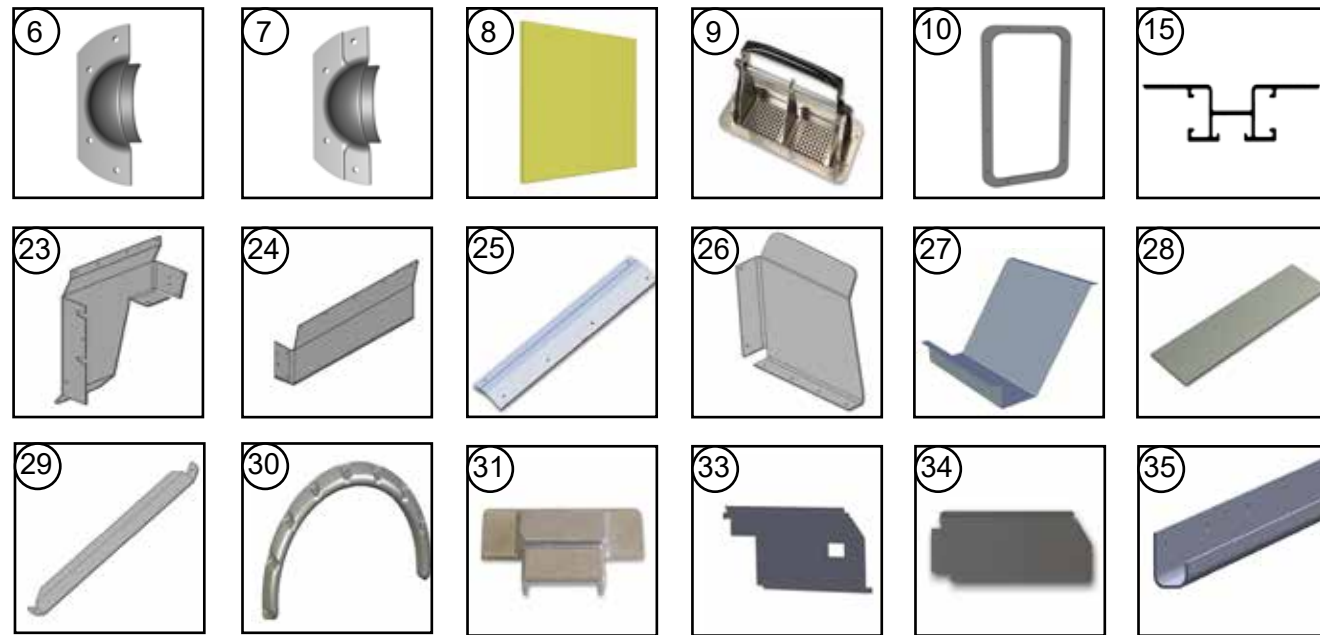
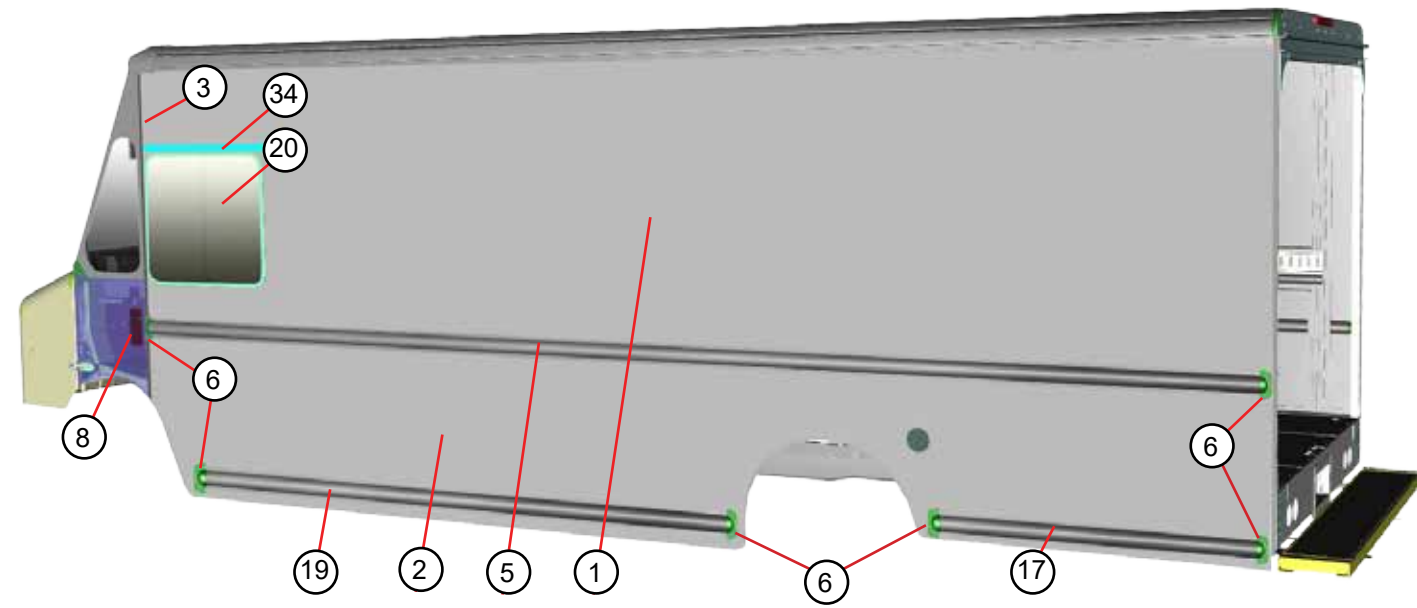


ITEM #	PART #	DESCRIPTION	QTY.	UNIT
1	207027200	INSTRUMENT PANEL WELDMENT FORD	1	EA
2	006327202	SPACER IGNITION SWITCH	1	EA
3	125027416	BRACKET MOUNTING AL .102X7.74X10.14	1	EA
4	093027402	BRACKET STIFFENER AL .125X1.91X12.66	1	EA
5	095027412	BRACE I/P AL .102X3.43X18.39 LH	1	EA
6	125027407	BRACKET I/P AL .102X4.32X11.06	1	EA
7	118027417	PLATE ROCKER SWITCH AL .102X2.50X8.75	1	EA
8	128027421	PLATE ACCESS COVER AL .102X9X11	1	EA
9	095027408	BLOCK OFF PLATE AL .102X1.32X2.30	1	EA
10	165027400	PLATE COVER AL .07X5.74X8.64	1	EA
11	46026378	POWER PORT 12V	1	EA
12	1111513	PLUG ROUND	1	EA
13	46026432	POWER POINT USB 5V	1	EA

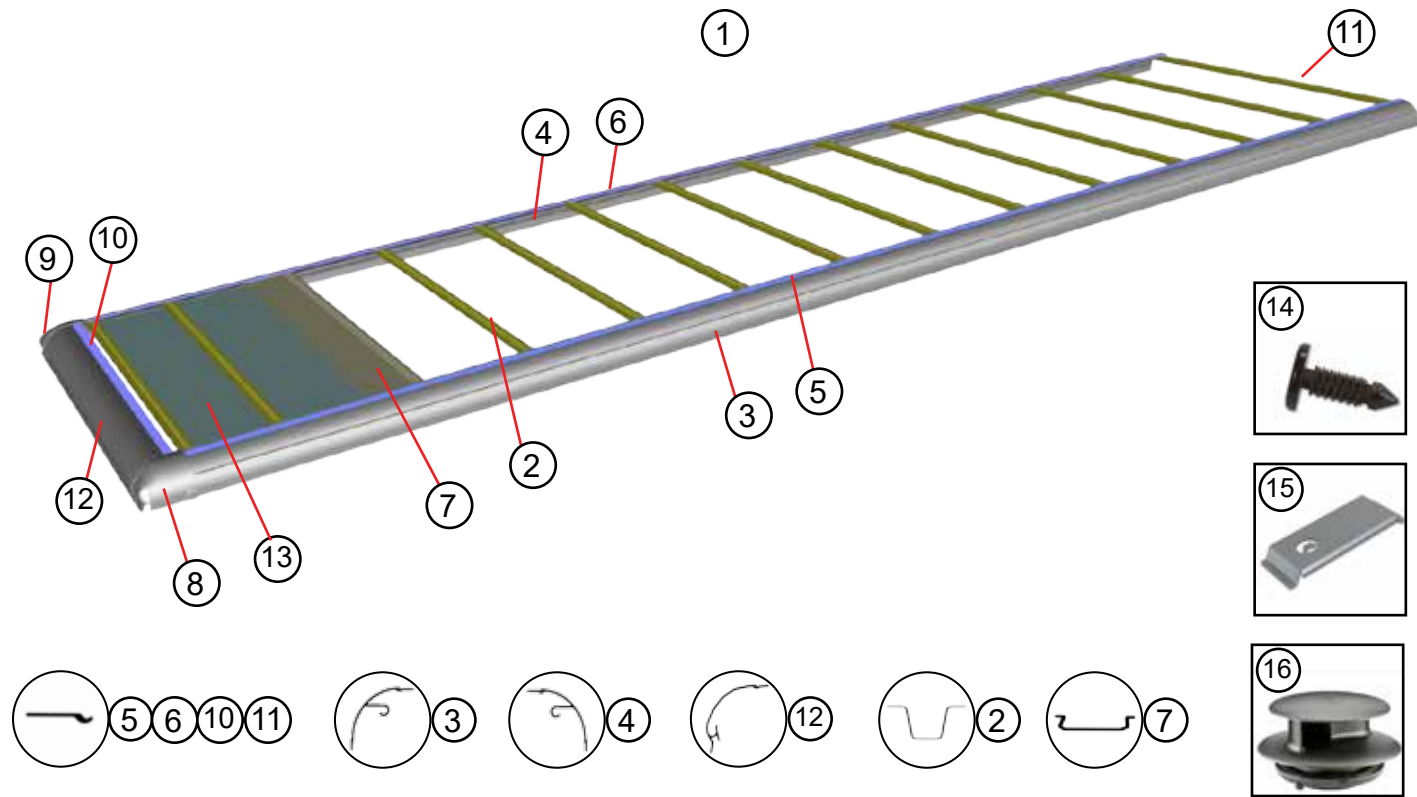
ITEM #	PART #	DESCRIPTION	QTY.	UNIT
1	47002685	SEAT DRIVER	1	EA
NS	47012685	DRIVER SEAT ONLY - WITHOUT SLIDES	1	EA
2	47002686	SEAT BASE	1	EA
3	47002684	DRIVER SEAT WITH HANDI BELT OPTION	1	EA
4	47011208	ARM REST ROADSIDE	1	EA
5	98M582030	BRACE SUPPORT STEEL 7GAX9.43X23.43	1	EA
6	47042600	SEAT BELT 7" ADJUSTABLE D ORANGE	1	EA
7	91614300	ANGLE FLOOR .188X2.84X19.1	1	EA
8	47002687	JUMP SEAT	1	EA
9	165069400	PLATE REINFORCEMENT JUMP SEAT	1	EA
10	47004365	SEAT BELT WITH BOOT ADJUSTABLE D OGANGE	1	EA



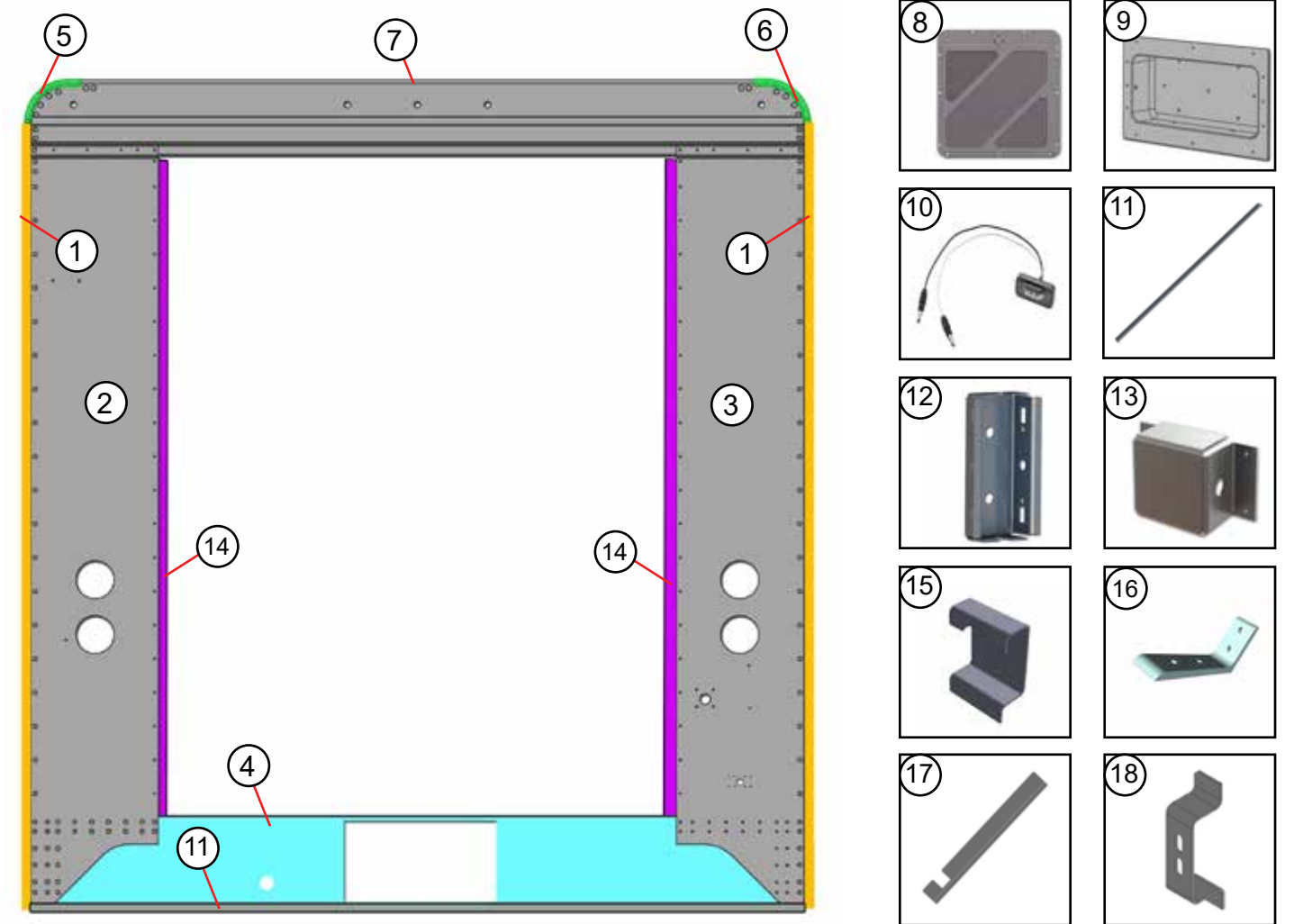
ITEM #	DESCRIPTION	QTY.	UNIT	93W 16'	86W 16'	93W 18'
1	BEAM @ O/LINE	1	EA	095031411	095031409	095031411
2	ANGLE STEP	1	EA	003330525	003330525	003330525
FLOOR FORWARD						
3	BEAM FLOOR RIB ALE	1	EA	095031495	095031493	095031495
4	BEAM FLOOR RIB ALE	2	EA	095031443	095031441	-
5	BEAM FLOOR RIB ALE	6	EA	095031427	095031425	095031427 x6
6	BEAM FLOOR RIB ALE	1	EA	095031452	095031450	095031452 x4
7	BEAM FLOOR RIB ALE	1	EA	095031477	095031475	095031477
8	ANGLE FLOOR AT DOOR	1	EA	095031424	095031424	001730410
9	ANGLE FLOOR 2DR ALE RH	1	EA	095031420	095031420	999330417
10	ANGLE FLOOR DLH ALE	1	EA	095031423	095031423	?
FLOOR MID						
11	BEAM FLOOR AL	4	EA	095032428	095032428	190032401
12	BEAM FLOOR AL	1	EA	095032426	095032426	190032400
13	ANGLE W/BX ATTACH	2	EA	095032425	095032425	095869302
14	WHEEL BOX ASSEMBLY 44"	2	EA	095032206	095032204	095869202
FLOOR REAR						
15	BEAM FLOOR RIB	1	EA	095031477	095031475	095031477
16	BEAM FLOOR RIB	3	EA	095031427	095031425	095031452 x6
18	BEAM RIB FLOOR	1	EA	095033417	095033415	095033417
19	PLATE FILLER REAR	1	EA	095033437	095033431	088033401
20	DROP SILL AL FLOOR	1	EA	45059200	45059201	45059200
21	ANGLE FLOOR AL	2	EA	095033413	095033413	?
ACCESS DOOR						
22	SPRING	4	EA	40900082		
23	STUD	8	EA	40900080		
24	GROMMET HALF	8	EA	40900081		
25	SUPPORT ACCESS DOOR	1	EA	125012400		
26	DOOR ACCESS WELDMENT	1	EA	130032200		
27	ANGLE ACCESS DOOR	2	EA	150012400		
MISC						
28	BRACKET HAND CART	1	EA	165127402		
29	BRACKET BUNGEE CORD	2	EA	150127456		
30	CATCH HAND CART STL	1	EA	165127401		
31	PANEL WEAR HAND CART	1	EA	150127462		
32	BUNGEE CORD	1	EA	45400581		
33	PLATE MOUNTING DRAIN VALVE	2	EA	97435300		
34	DRAIN VALVE 1-1/2 X 4-1/2	2	EA	47006607		



ITEM #	DESCRIPTION	QTY.	UNIT	16'	18'
1	SIDE UPPER DLH	1	EA	207046400	205046401
2	SIDE LOWER DLH	1	EA	165045404	205045410
2	SIDE LOWER WITHOUT FUEL ACCESS HOLE	1	EA	-	205045401
3	DOOR POST ASSEMBLY LH	1	EA	095044300	088044201
4	RUB RAIL	1	EA	125038413	148039443
5	RUB RAIL DLH	1	EA	165046409	088039329
6	END CAP REAR	10	EA	1100799	
7	END CAP FORWARD	2	EA	1100800	
8	PLATE FILLER RUB RAIL	2	EA	7600165	
9	VENT AL 2WAY HNGLS	1	EA	47008545	
10	GASKET FOR VENT	1	EA	47008548	
11	SIDE UPPER RH	1	EA	207038400	205038402
12	SIDE LOWER RH	1	EA	175037402	177037438
13	RUB RAIL	1	EA	125038413	088039307
14	POST "B" RH	1	EA	095038404	
15	STIFFENER HEADER RH (165042400 - LH)	1	EA	083042401	
16	CLIP ZEE	1	EA	96742302	
17	RUB RAIL LOWER REAR	2	EA	165039402	148039433
18	WINDOW SLIDING RH	1	EA	13342990003	
19	RUB RAIL LOWER FRONT	1	EA	165039403	148039449
20	GLASS - ROLL UP WINDOW	1	EA	45800093	
NS	STIFFENER ZEE BELOW WINDOW LH	1	EA	093019408	
23	SPLASH PAN LH	1	EA	165026402	-
24	SPLASH PAN RH	1	EA	165026403	-
25	ADAPTOR SPLASH PAN RH	1	EA	113026402	
26	SPLASH PAN ATTACH RH	1	EA	165026404	
27	SPLASH PAN FUEL FILL	1	EA	998526301	-
28	SPLASH PAN FILLER VINYL	1	EA	197026407	-
29	GUSSETT FLOOR TO SIDE STRAP	3	EA	001744400	
30	FENDER RUBBER REAR	2	EA	66104047	
31	CAP RAIL END	1	EA	45100074	
NS	PANEL LNR BELOW WINDOW LH	1	EA	177019403	
33	PANEL LNR ABOVE WINDOW DLH	1	EA	175019400	
34	PANEL LNR ABOVE WINDOW RH	1	EA	175019401	
35	DRIP RAIL OVER WINDOW	1	EA	89367380	
NS	INSULATION FBG	2.5	FT	1109001	



ITEM #	DESCRIPTION	QTY	UNIT	93W 16'	93W 18'	86W 16'
2	ROOF BOW STEEL	10	EA	45601603	45601603	45601602
3	ROOF RAIL LH	1	EA	098010407	098010413	098010407
4	ROOF RAIL RH	1	EA	098010408	098010414	098010408
5	RAIL INTERLOCK LH	1	EA	088010512	088010516	088010512
6	RAIL INTERLOCK RH	1	EA	088010513	088010517	088010513
7	ROOF BEAM @ O LINE	1	EA	118010402	118010402	118010401
8	CORNER CASTING LH	1	EA	077100400	077100400	077100400
9	CORNER CASTING RH	1	EA	077100401	077100401	077100401
10	INTERLOCK ROOF NOSE	1	EA	89310506	89310506	89310504
11	INTERLOCK ROOF REAR	1	EA	89310507	89310507	89310505
12	ROOF NOSE	1	EA	083010400	083010400	083010402
13	LINER ROOF	1	EA	083011470	083011470	083011401
14	CLIP PLASTIC FLAT HEAD	52	EA	47006610	47006610	47006610
15	BRACKET ROOF VENT	1	EA	208091400	208091400	208091400
16	VENT ROOF 8" 80CFM	1	EA	47009306	47009306	47009306
NS	ROOF SKIN FBG 45200851	-	FT	19.98 FT	21.98 FT	45200853 19.98FT
NS	INSULATION FBG	7.25	FT	1109001	1109001	1109001
NS	POLYESTER FILL	3	EA	100011400	100011400	100011400

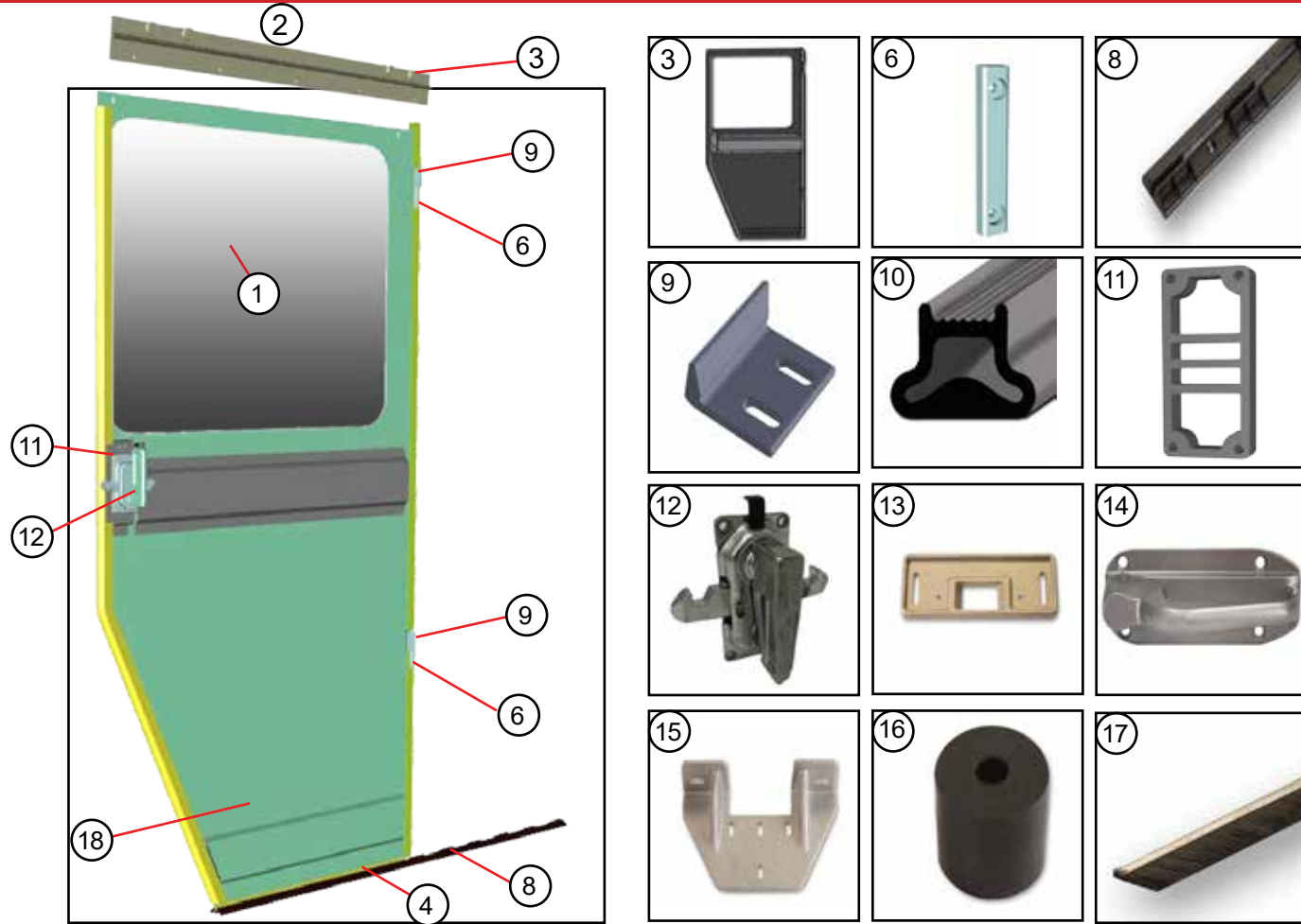


ITEM #	DESCRIPTION	QTY	UNIT	93 W	86W
1	CHANNEL POST CORNER	2	EA	083053452	083053452
2	PANEL BACK LH	1	EA	207053401	207053403
3	PANEL BACK RH	1	EA	207053402	207053404
4	SILL REAR	1	EA	207053400	205053402
5	CORNER CASTING LH	1	EA	45100009	45100009
6	CORNER CASTING RH	1	EA	45100010	45100010
7	TRANSOM HEADER	1	EA	083053401	083053400
8	PLACARD HOLDER	4	EA	43001402	43001402
9	BOX LICENSE PLATE	1	EA	140092400	140092400
10	LAMP LICENSE PLATE	1	EA	47009642	47009642
11	PLATE FILLER BACK	1	EA	165135400	205135400
12	GUARD LAMPS	2	EA	003750424	003750424
13	GUARD KEYLESS	1	EA	207081402	207081402
14	JAMB DOOR POST ASSEMBLY	2	EA	167130406	167130406
15	BRACKET - SPACER	1	EA	7400214	7400214
16	ANGLE CLIP AL 450192X.88	2	EA	90650309	90650309
17	WIRING COVER @ TRANSOM	1	EA	175127400	175127400
18	BRACKET MOUNTING	2	EA	170130402	170130402

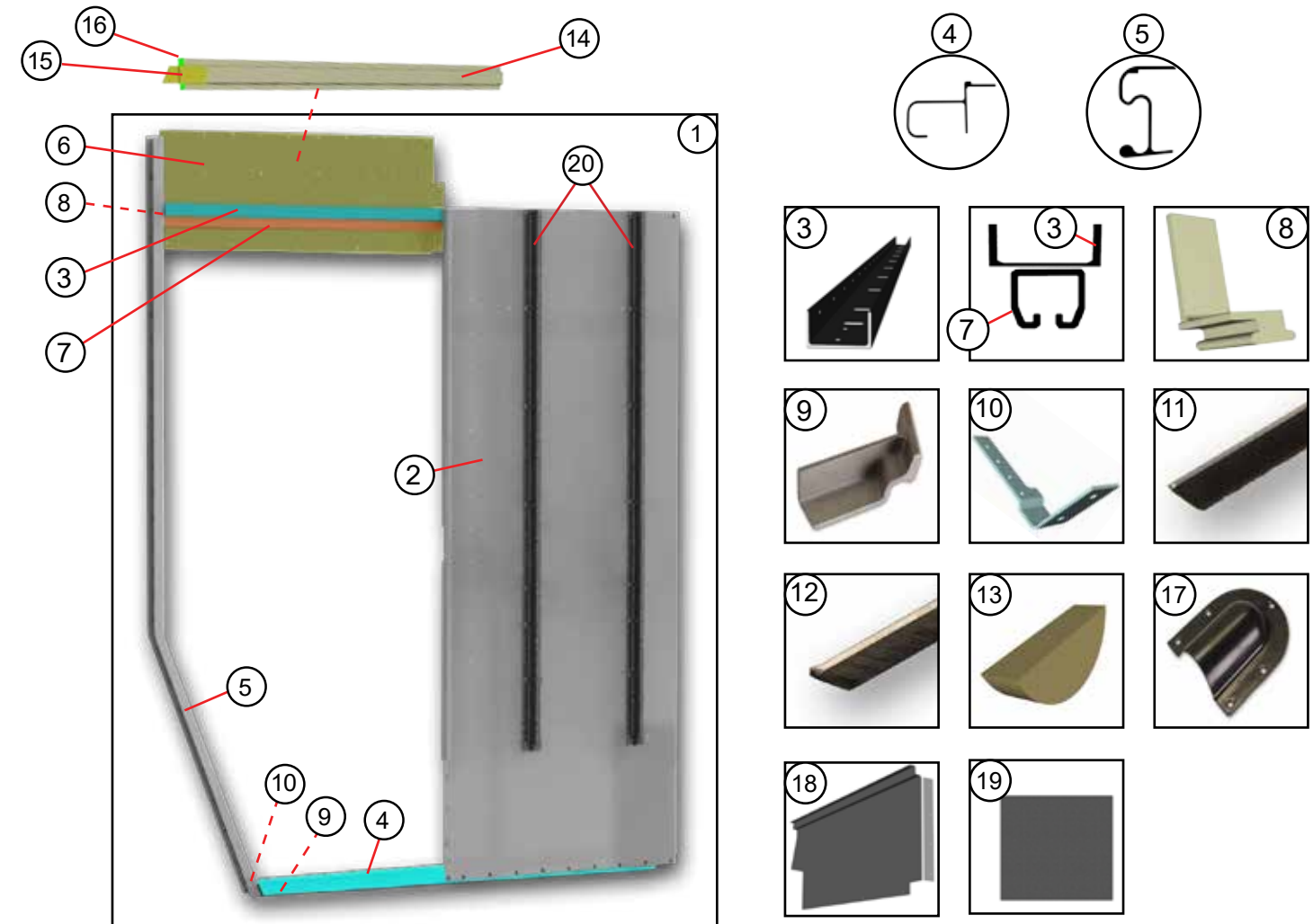
Red = 86" Wide vehicles

Yellow = 18FT Length vehicles

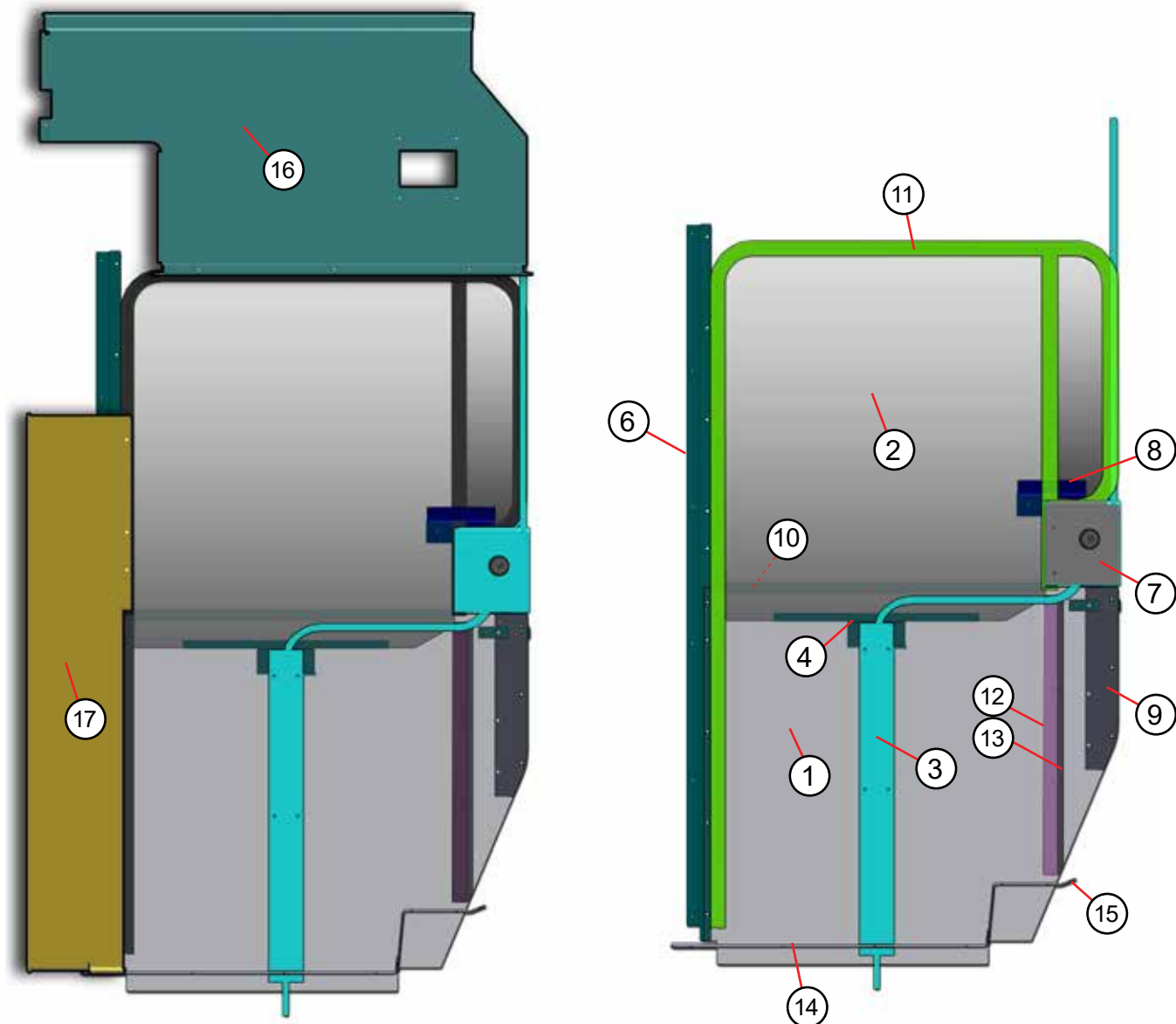
Green = Low Mount Wiper



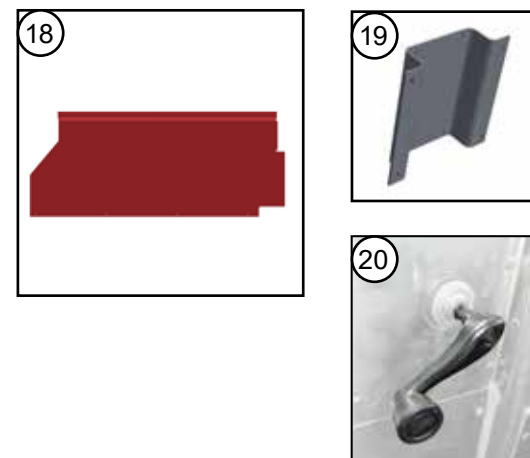
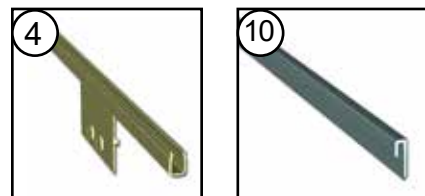
ITEM #	PART #	DESCRIPTION	QTY.	UNIT
1	1334299003	WINDOW SLIDING RH	1	EA
2	96760203	HANGER ASSEMBLY	1	EA
3	115060202	SIDE DOOR ASSEMBLY	1	EA
3	118060201	SIDE DOOR ASSEMBLY	1	EA
4	095060448	WEAR STRIP	1	EA
4	98760306	WEAR STRIP	1	EA
6	45200206	SPACER ANTI RATTLE NYLON	2	EA
8	47002766	DOOR GUIDE NYLON	1	EA
9	45300377	CLIP ANTI RATTLE AL.188X2X2.7	2	EA
10	44004104	DOOR SEAL RUBBER FORWARD	1	EA
11	087181	KASON SPACER (ADDITIONAL SPACER 157060404)	1	EA
12	45100168	LATCH MECHINISM	1	EA
13	45100093	STRIKER BRONZE CAST D/S RR	2	EA
14	47001326	HANDLE - NON LOCKING SILVER	1	EA
15	45100094	BRACKET STRIKER	1	EA
16	44002011	RUBBER BUMPER	1	EA
17	44008050	SEAL BRUSH TYPE B 1X41.95"	1	EA
18	115060409	PANEL LOWER DOOR AL.07X 39.4X35.45	1	EA

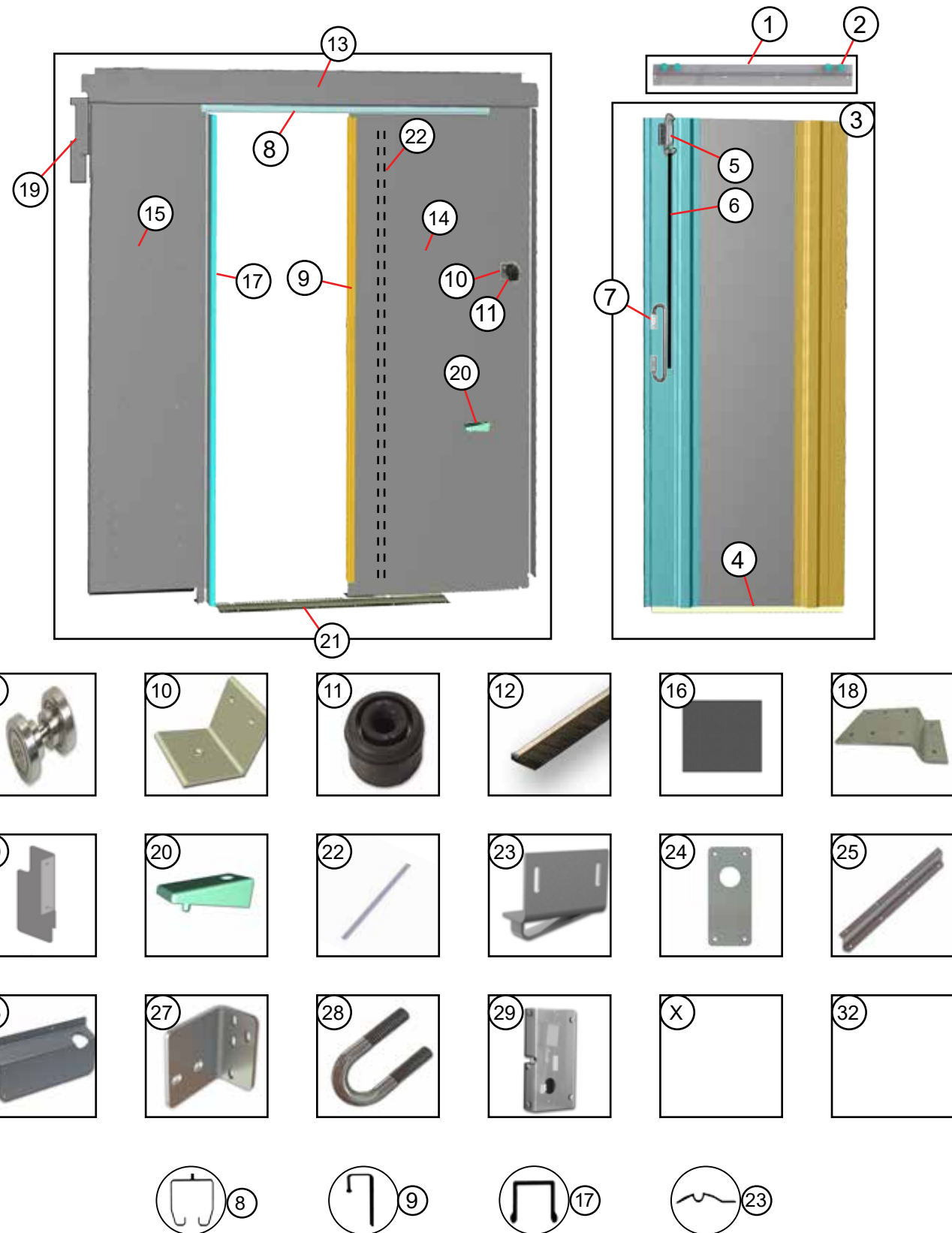


ITEM #	DESCRIPTION	QTY.	UNIT	16'	18'
2	PANEL DOOR POCKET RH	1	EA	207041400	205041400
3	CHANNEL HEADER AL 450256X75 RH	1	EA	96741303	96741303
4	NOSE STEP AL 450247X62.57 RH	1	EA	095041416	98741353
5	DOOR POST AL 450294X92.77 RH	1	EA	095041410	077410403
6	PANEL HEADER AL .102X14X42.34 RH	1	EA	155041405	077410407
7	TRACK ASSEMBLY UPPER	1	EA	96741202	96741202
8	GUSSET HEADER CHANNEL TO DOOR POST	1	EA	45100049	45100049
9	DOOR POST CASTING LOWER	1	EA	45100105	45100105
10	REINFORCEMENT BRACKET RH	1	EA	001741408	001741408
11	SEAL BRUSH TYPE C 1.5X82	1	EA	44004060	44004060
12	SEAL BRUSH TYPE B 1X83.9	1	EA	44008050	44008050
13	PLUG WD RUBRAIL .75X1.12X2.9	1	EA	45900001	45900001
14	STIFFENER HEADER AL450328X73.75 RH	1	EA	083042401	083042401
15	CLIP AL Z .102X3X9.57	1	EA	96742302	96742302
16	CAP RAIL END (OPTIONAL)	1	EA	45100074	45100074
17	VENT CAP PLASTIC (OPTIONAL)	1	EA	47008533	47008533
18	PANEL LINER HEADER AL.07X19.48X50.57 RH	1	EA	123019405	175019401
19	CARPET GREY BLACHFORD	2	FT	47009600	47009600
20	STIFFENER AL 459919X66.75	2	EA	205048404	205048405
NS	DRIP EDGE WELDMENT ASSEMBLY	1	EA	158041201	-



ITEM#	PART#	DESCRIPTION	QTY.	UNIT
1	095066402	PANEL REGULATOR AL .102X33.81X36.26 DL	1	EA
2	45800093	GLASS D/S ROLL UP WINDOW .125X28.43X32.59	1	EA
3	47007526	WINDOW REGULATOR LH	1	EA
4	47007532	CHANNEL MOUNTING WINDOW REGULATOR X18	1	EA
NS	998566419	FELT GLS X28.12	1	EA
6	998566407	STIFFENER Z REAR AL .102X2.94X62.73L/R	1	EA
7	998566450	PLATE MOUNTING CRANK AL .07X7.19X7.51	1	EA
8	998566451	PLATE MOUNTING Z AL .102X3.92X6	1	EA
9	095066404	COVER Z FORWARD AL .102X3.56X16	1	EA
10	998566456	TRIM WINDOW EDGE AL 450234X27.92	1	EA
11	13342290002	FRAME WINDOW ASSEMBLY RUW LH	1	EA
12	998566557	GUIDE CHANNEL RUW AL 47007530X24.5	1	EA
13	095066403	GUIDE CHANNEL MOUNTING RUW 47007531X24.5	1	EA
14	084024422	COVER LOWER AL .102X3.43X28.73 DL	1	EA
15	095024495	COVER PLATE DLS AL .102X2.25X12.23	1	EA
16	175019400	PANEL LINER AL .07X23.46X45.35 DLH	1	EA
17	177019403	PANEL LINER AL .102X10.13X49.11 DLH	1	EA
18	175019401	PANEL AL .07X19.48X43.68 RH	1	EA
19	175019402	BRACKET AL .102X6X8.1	1	EA
20	47007522	REPLACEMENT WINDOW HANDLE	1	EA





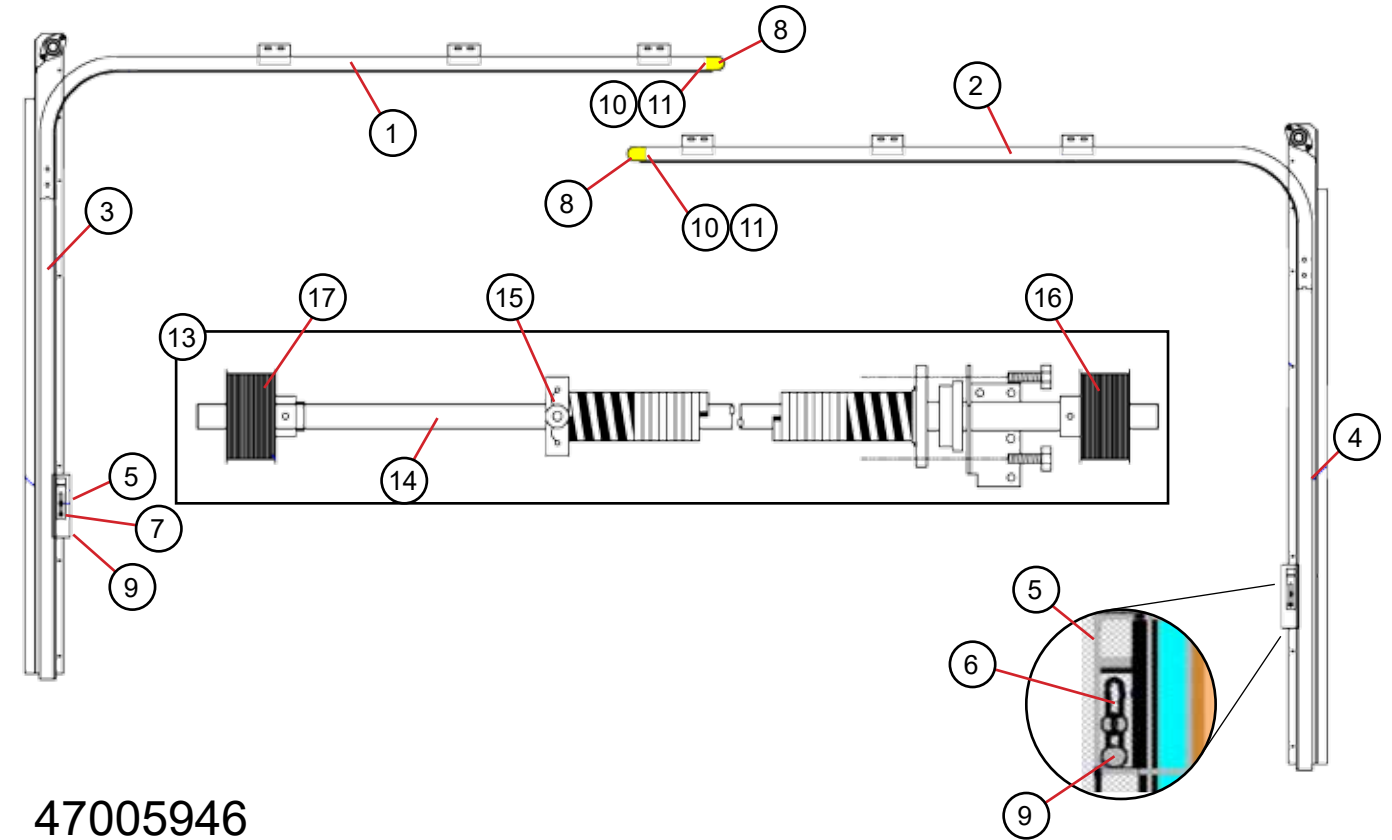
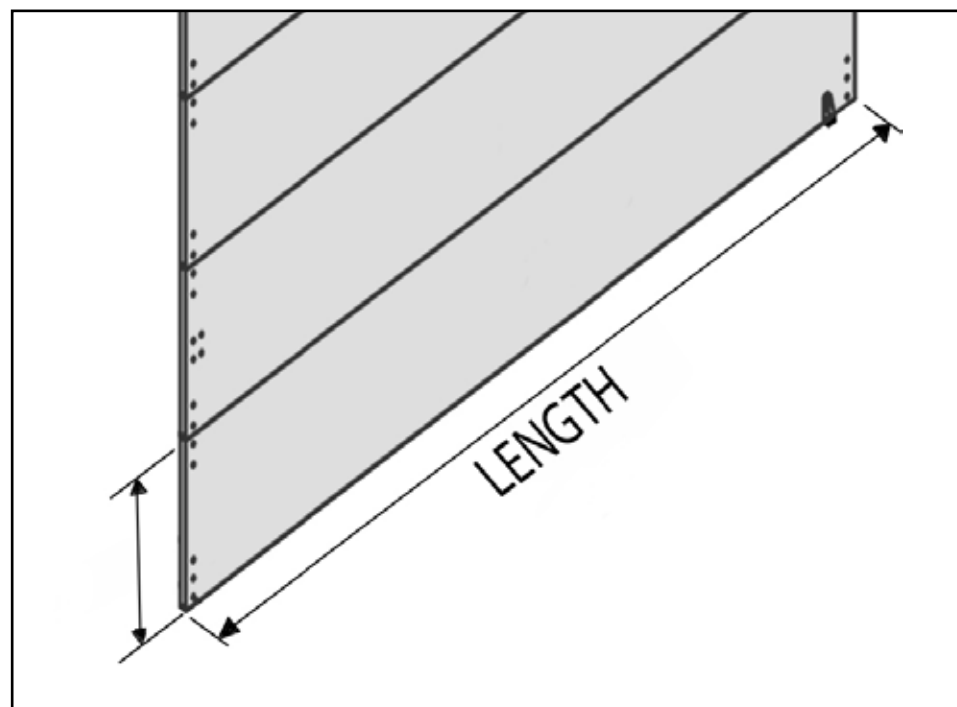
ITEM #	DESCRIPTION	QTY	UNIT	93W	86W
1	HANGER ASSEMBLY	1	EA	088070257	088070206
2	BEARING ASSEMBLY ONLY	4	PR	47006595	
3	BULKHEAD DOOR ASSEMBLY	1	EA	207070201	207070200
4	WEAR STRIP BHD	1	EA	088070524	088070434
5	LATCH FINGER PULL	1	EA	1113046	
6	CABLE BULKHEAD	1	EA	1113600	
7	GRAB HANDLE	1	EA	90187300	
8	TRACK DOOR ASSEMBLY	1	EA	088070256	005770200
9	CHANNEL BHD UPPER	1	EA	175070407	
10	ANGLE MOUNTING - DOOR STOP	1	EA	82140014	
11	RUBBER BUMPER - DOOR STOP	1	EA	1107086	
12	SEAL BRUSH TYPE B x83.9	1	EA	44008050	
13	HEADER BHD ZEE	1	EA	207070405	207070401
14	PANEL BHD LH	1	EA	175070403	207070400
15	PANEL BHD RH	1	EA	207070403	207070402
16	CARPET GREY	18.5	FT	47009600	
17	JAMB AL 450326X76.44	1	EA	207070406	
18	PLATE MOUNTING LATCH	1	EA	92537309	
19	PLATE FILLER UPPER RH	1	EA	175070405	
20	DOOR CHOCK NYLON	1	EA	45200208	
21	GUIDE DOOR FLOOR	1	EA	96770316	
22	STIFFENER BULKHEAD	1	EA	083069404	
23	STRIKER WELDMENT	1	EA	98770202	
24	SPACER LATCH	1	EA	197147406	
25	WIRING GUARD	1	EA	207070407	
26	WIRING GUARD	1	EA	207070408	
27	STRIKER LATCH	1	EA	197147408	
28	U-BOLT STRIKER	1	EA	40300931	
29	LATCH ASSEMBLY KEYLESS	1	EA	207147202	



ROLL-UP DOOR SERIAL NUMBER LOCATION

WHEN ORDERING PARTS FOR ROLL-UP DOORS, PLEASE PROVIDE THE FOLLOWING INFORMATION. THE SERIAL NUMBER LOCATED ON THE INTERIOR TOP PANEL ROADSIDE EDGE. THE LENGTH AND HEIGHT OF THE DOOR PANEL(S) TO BE ORDERED.

IN THE EVENT OF A DAMAGED, UN-READABLE OR MISSING SERIAL NUMBER, PLEASE TRY TO PROVIDE THE COMPOSITION DETAILS OF THE DOOR PANEL. (PLASTIC PANEL (WEATHERTITE), ALUMINUM CLAD, PLYWOOD, ETC.)

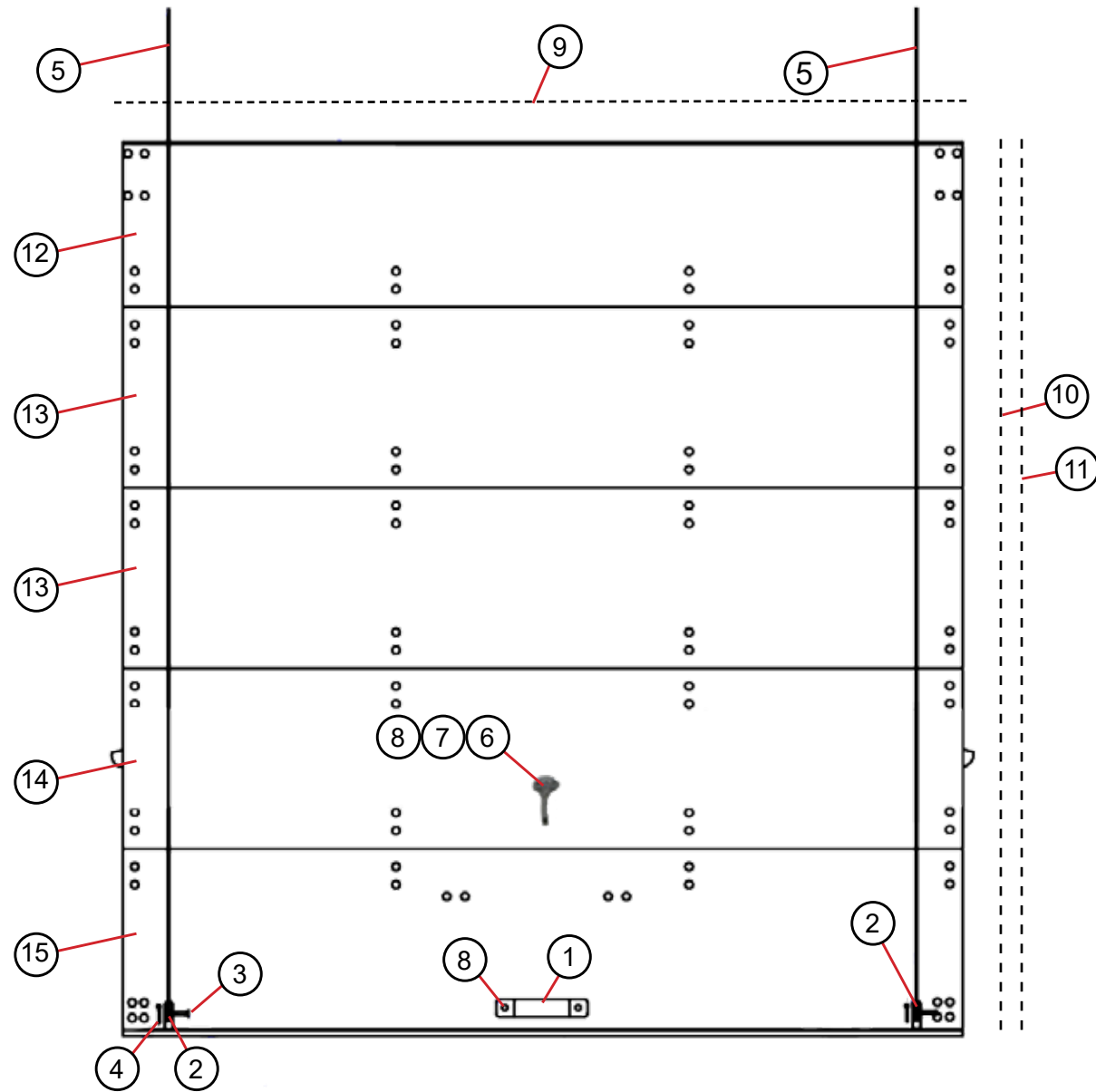


47005946

ITEM#	PART#	DESCRIPTION
1	47106850	HORIZONTAL TRACK ASSEMBLY - CURBSIDE
2	47106853	HORIZONTAL TRACK ASSEMBLY - ROADSIDE
3	47106854	VERTICAL TRACK ASSEMBLY - CURBSIDE
4	47106855	VERTICAL TRACK ASSEMBLY - ROADSIDE
5	47106740	LOCK CATCH
6	47106758	CATCH MOUNTING PLATE - LH
7	47106759	CATCH MOUNTING PLATE - RH
8	47106787	2" YELLOW HEAD PROTECTOR
9	47106744	5/16-18 KEEP NUT
10	47106746	1/4-20 KEEP NUT
11	47106788	1/4-20 X 2-1/2 HEX HEAD BOLT

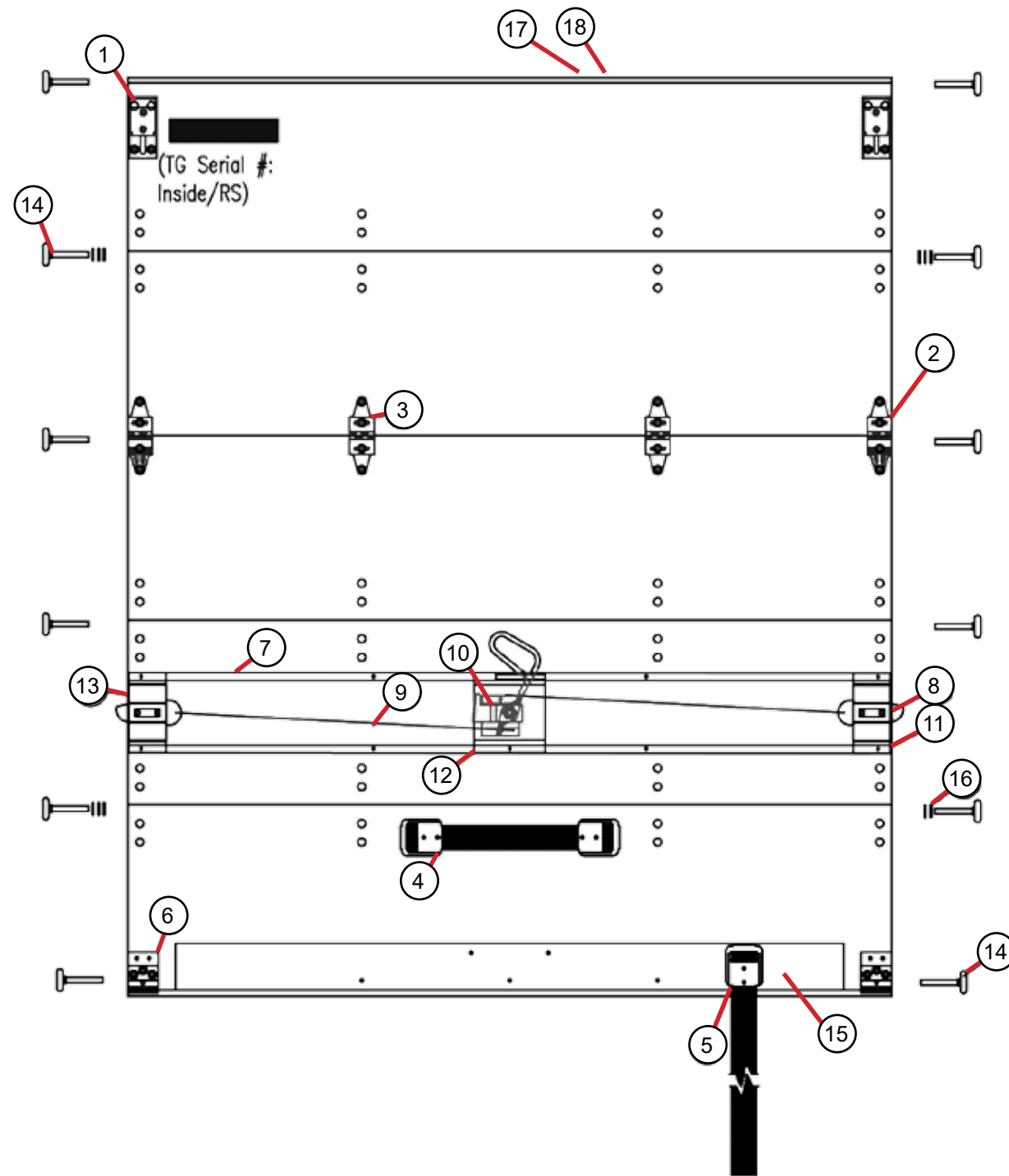
Counterbalance Assembly

13	47106857	COUNTERBALANCE ASSEMBLY
14	47106862	COUNTERBALANCE SHAFT - 62"
15	47106858	SPRING W. PLUGS .192 SQ WIRE X 2.50 X 27.50 (RH)
16	47106753	CABLE DRUM LH (HEX HEAD SET SCREWS)
17	47106754	CABLE DRUM RH (HEX HEAD SET SCREWS)

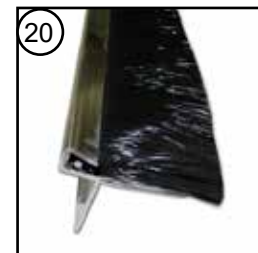


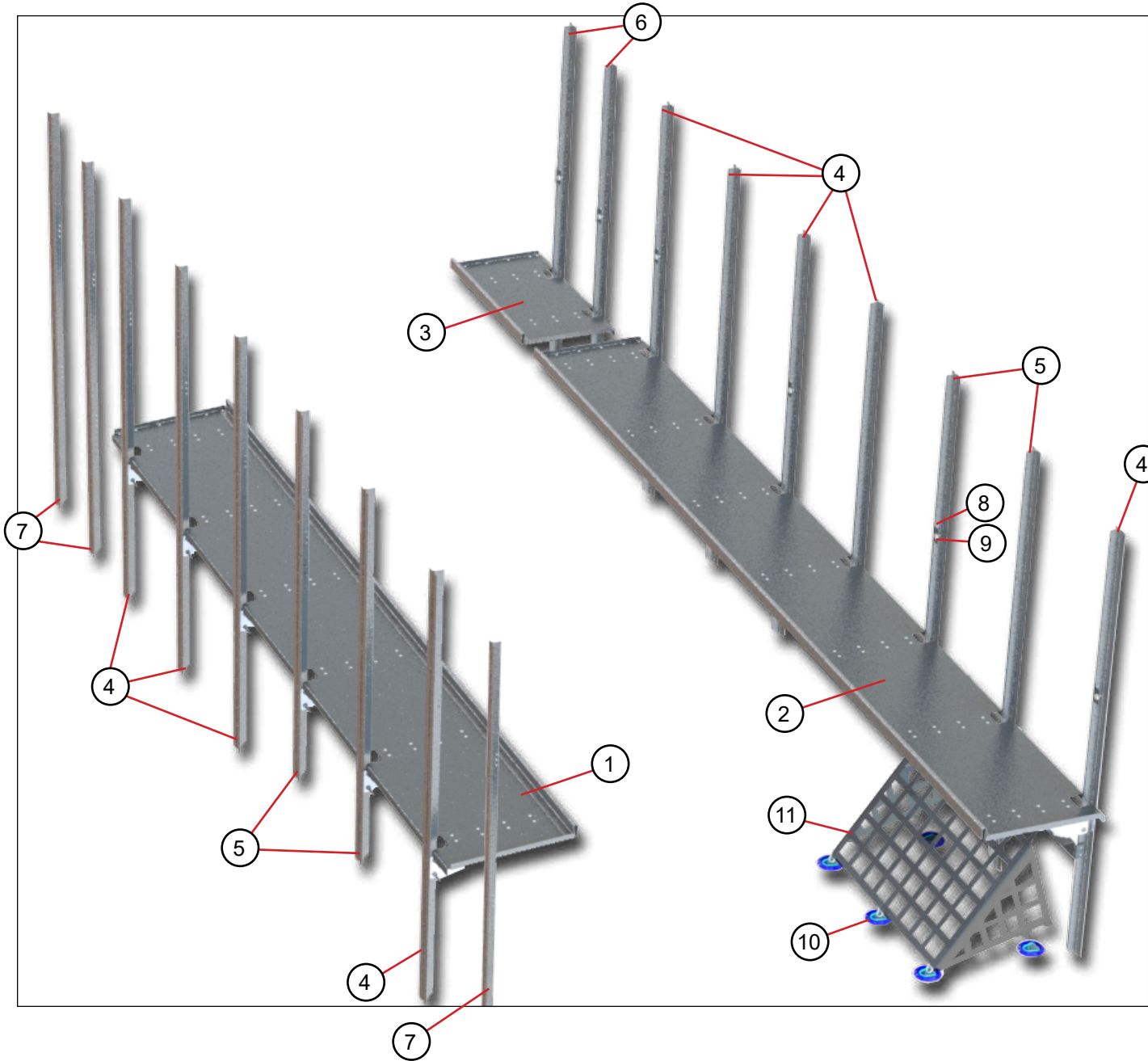
ITEM #	PART #	DESCRIPTION
1	47106796	LIFT HANDLE - BLACK
2	47106762	BRACKET CABLE ANCHOR
3	47106706	PIN CABLE ANCHOR BRACKET
4	47106719	COTTER PIN
5	47106727	CABLE SS 95" METAL EYE
6	47106774	L-HANDLE, NON-KEYED
7	47106783	10-24 X 1" SS SCREW
8	47106784	10-24 SS NYLOK NUT
9	47000804	SEAL - HEADER RUBBER BELTED 60" (Mounted to Vehicle)
10	47000805	SEAL - SIDE RUBBER BELTED 74.125"
11	47000803	SEAL - SIDE BRUSH TYPE 1.5" X 75.375"
12	47106852	1/4" COMPOSITE PANEL TOP
13	47106851	1/4" COMPOSITE PANEL INTERMEDIATE X2
14	47106849	1/4" COMPOSITE LATCH PANEL
15	47106848	1/4" COMPOSITE PANEL BOTTOM





ITEM#	PART#	DESCRIPTION
1	47106710	TOP CLOSURE COMPLETE
2	47106797	END HINGE
3	47106731	CENTER HINGE
4	47106837	12" PULL STRAP, NO LOOP - 2 BLK RETAINERS
5	47106802	60" PULL STRAP, NO LOOP
6	47106764	BOTTOM ROLLER BRACKET ASSM, 2" ROLLER
7	47106847	CABLE COVER W/ STUDS - 62" LENGTH
8	47106717	2 PT END LATCH - RS
9	47106860	CABLE ASSEMBLY, 2 PT LOCK W/ 2 STOPS & WASHER
10	47106891	2-PT CENTER CONTROL WITH D HANDLE
11	47106836	LATCH BASE END - .91" OFF, PVC/WOOD/13MM COMP, 2" TRACK
12	47106767	LATCH BASE CENTER - .91" OFF, PVC/WOOD/13MM COMP, 2" TRACK
13	47106716	2 PT END LATCH - CS
14	47106765	2" HD SOLID STEEL ROLLER
15	47106861	BLACK 56" LONG BOTTOM ANGLE FOR .25" COMPOSITE W/ INSIDE PS
16	47106718	SPACER WASHER @ ROLLER
17	47106829	TOP PANEL SEAL RETAINER SS
18	47106830	TOP PANEL RUBBER SEAL
19	47106685	HEADER SEAL ASSEMBLY (RETAINER AND RUBBER SEAL 96")
20	47006894	HEADER SEAL ASSEMBLY (RETAINER AND BRUSH SEAL)
NS	47106724	5/8" STAINLESS STEEL RIVET
NS	47106725	3/4" STAINLESS STEEL RIVET
NS	47106726	7/8" STAINLESS STEEL RIVET
NS	47106720	11/16" ALUMINUM BUCK RIVET
NS	47106721	13/16" ALUMINUM BUCK RIVET



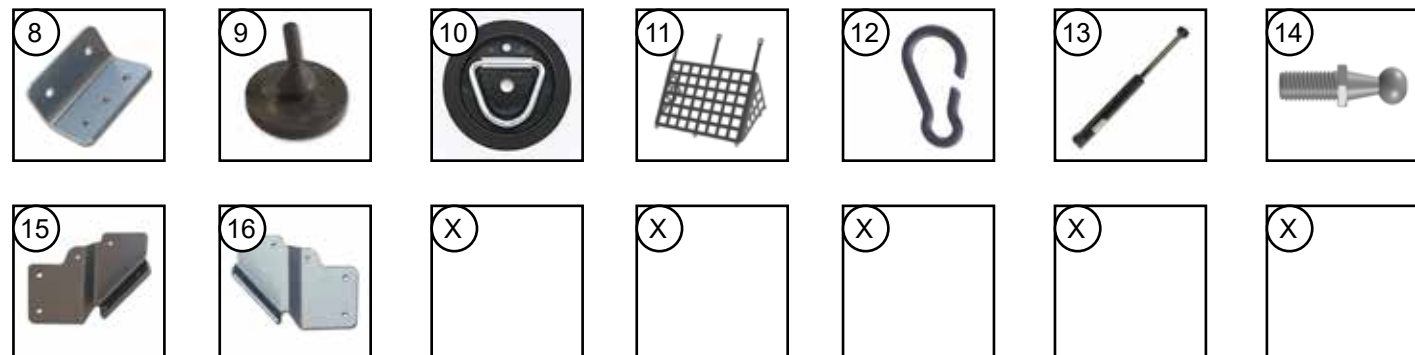


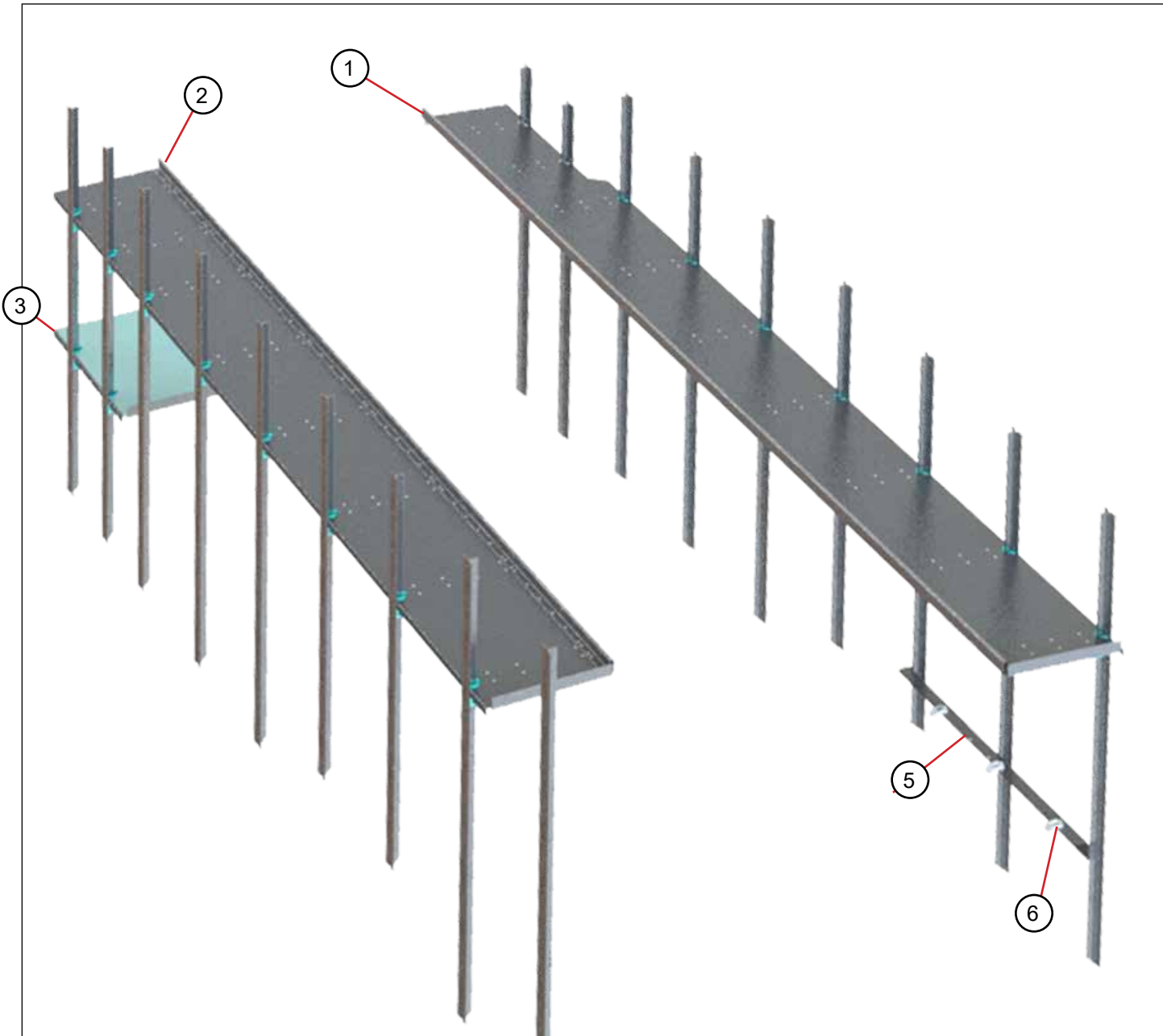
NOTE -
Items highlighted in red are for 86 inch wide vehicles.
Items highlighted in yellow are for 18 ft long vehicles.

ITEM #	PART #	DESCRIPTION	QTY.	UNIT
1	200105201	SHELF ASSEMBLY FOLDING L/R 133"	1	EA
2	200105200	SHELF ASSEMBLY FOLDING L/R 155"	1	EA
1	200105200	SHELF ASSEMBLY FOLDING L/R 155"	1	EA
2	200105202	SHELF ASSEMBLY FOLDING L/R 179"	1	EA
3	200105203	SHELF ASSEMBLY FOLDING @ D/POCKET L/R	1	EA
4	205048402	STIFFENER X75.25"	9	EA
5	205048403	STIFFENER @ WHEEL BOX X65.75"	4	EA
6	205048404	STIFFENER @ DOOR POCKET X66.75"	2	EA
7	205048406	STIFFENER X75.25"	3	EA
8	150106410	ANGLE BUMPER	7	EA
9	1107102	PLUG BUMPER D/R	7	EA
10	47006020	TIE DOWN RING	5	EA
11	47009297	CARGO NET BLACK	1	EA
12	47009294	CONNECTOR LINK	5	EA

SHELF HARDWARE @ EACH STIFFENER

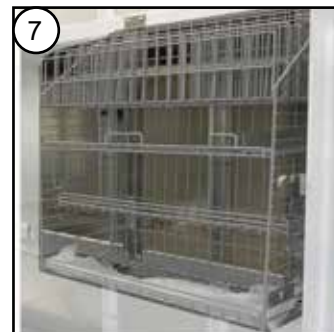
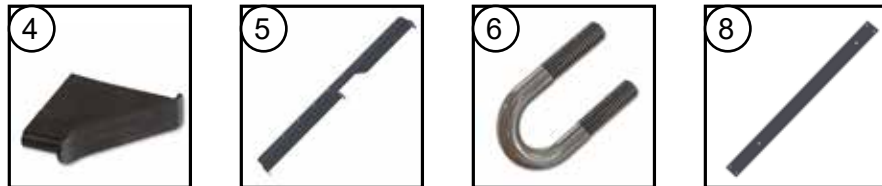
13	126106426	GAS SPRING W/O LOCK 60LB 8.7/6.2	1	EA
14	126106427	BALL STUD 10X.31-18 X1.60A	2	EA
15	190105411	SHELF BRACKET	1	EA
16	190105412	SHELF BRACKET	1	EA





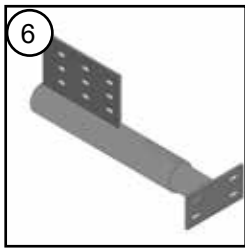
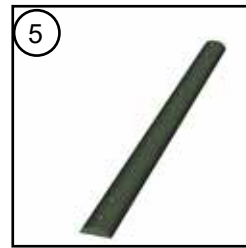
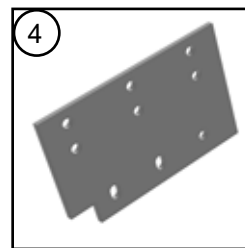
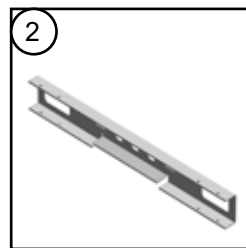
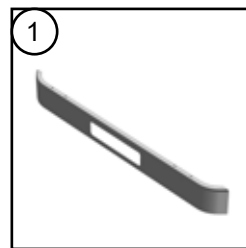
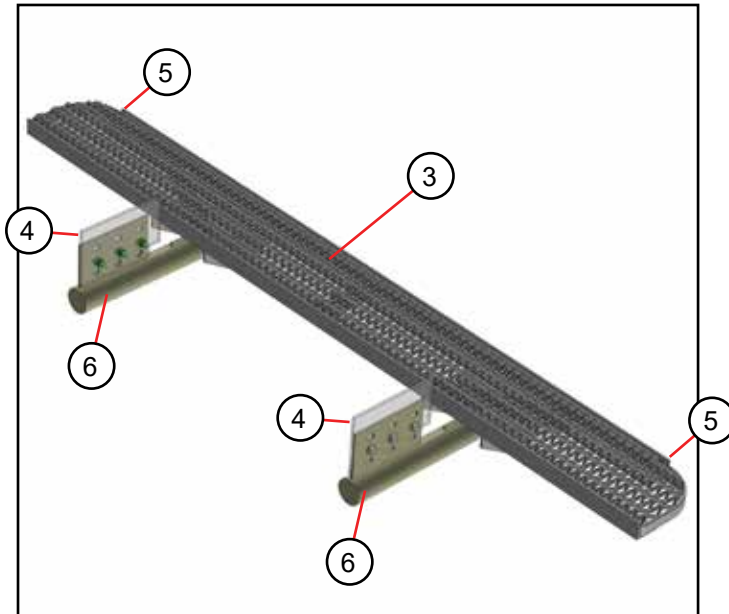
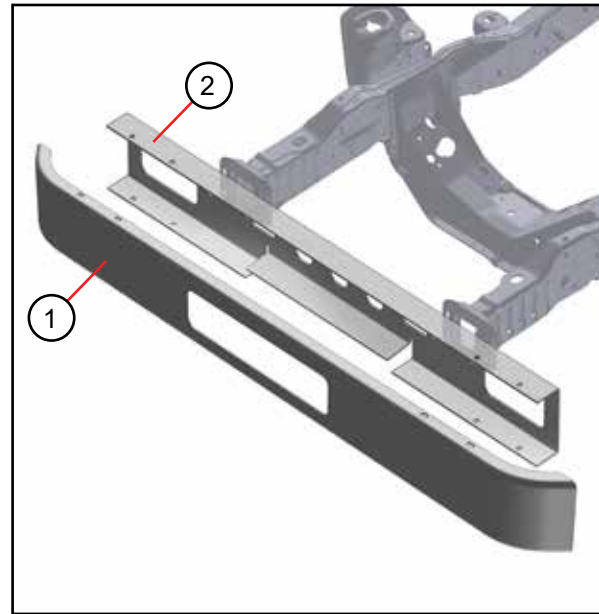
NOTE -
Items highlighted in red are for 86 inch wide vehicles.
Items highlighted in yellow are for 18 ft long vehicles.

ITEM #	PART #	DESCRIPTION	QTY.	UNIT
1	165105204	SHELF ASSEMBLY TOP FIXED RH 188.13"	1	EA
2	165105203	SHELF ASSEMBLY TOP FIXED LH 166.38"	1	EA
1	175105204	SHELF ASSEMBLY TOP FIXED RH 213.38"	1	EA
2	175105203	SHELF ASSEMBLY TOP FIXED LH 190.38"	1	EA
3	165105205	SHELF ASSEMBLY LOWER FIXED LH	1	EA
4	1106157	PLUG BRACKET SHELF PLASTIC	19	EA
5	150127457	CARGO NET SUPPORT	1	EA
6	47009298	U-BOLT .25-20 X 1.2"	3	EA
7	47012413	WIRE BASKET	1	EA
8	150127459	SUPPORT WIRE BASKET	2	EA

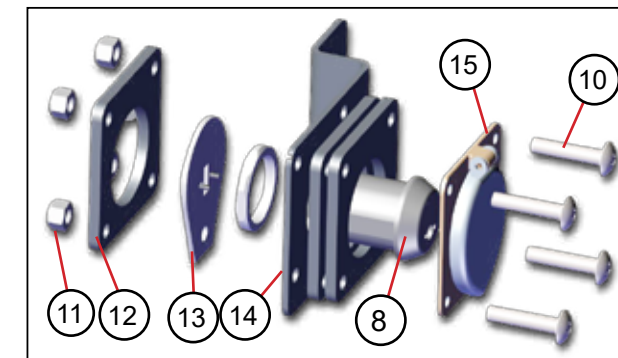
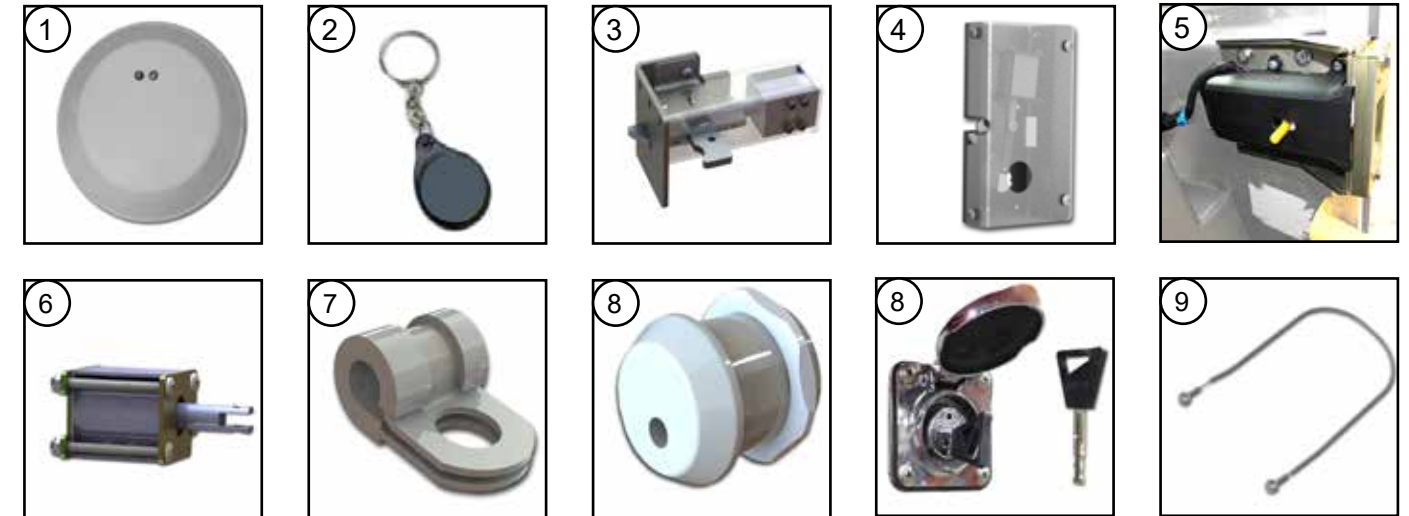


NOTE -

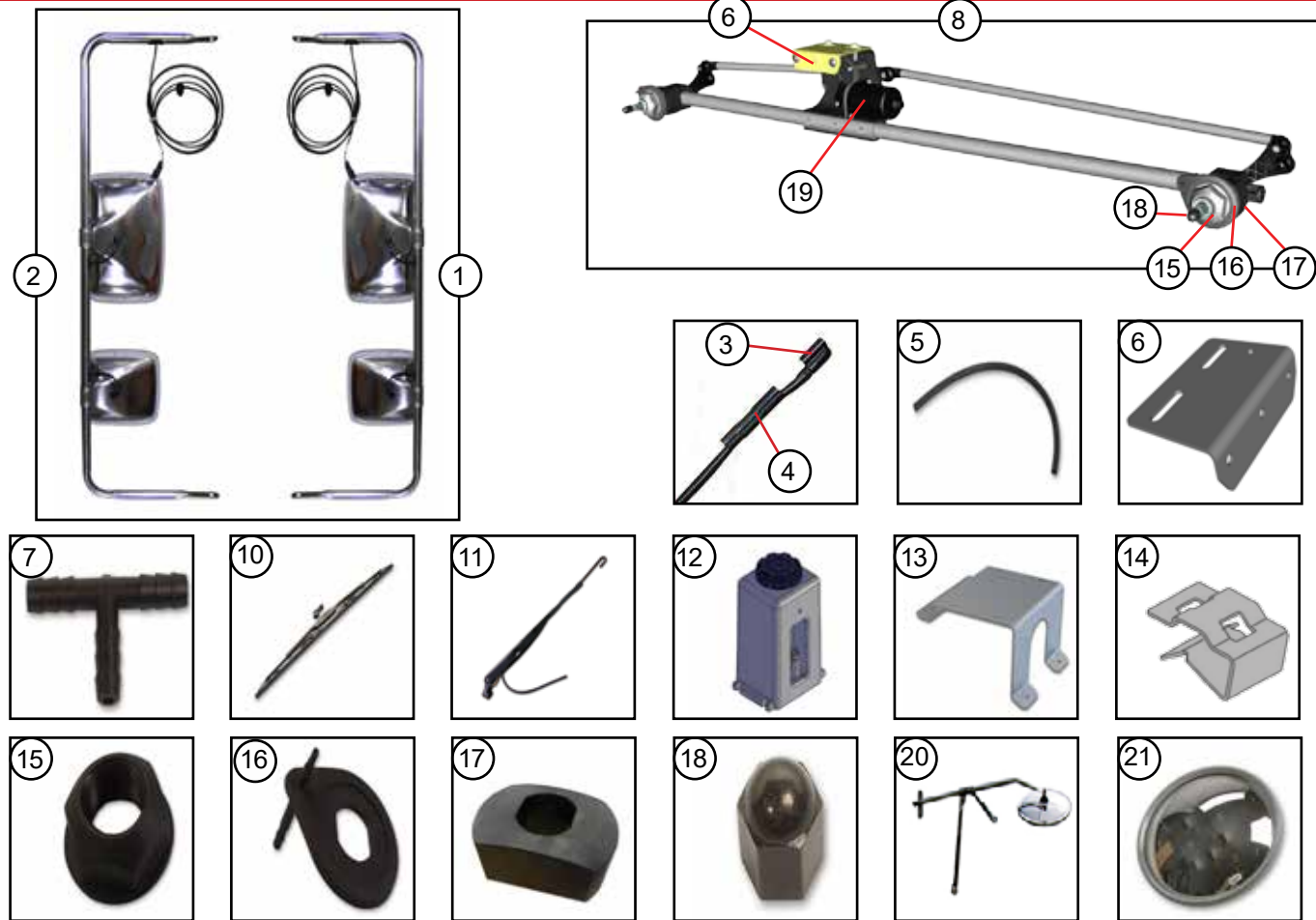
Items highlighted in red are for 86 inch wide vehicles.
Items highlighted in yellow are for 18 ft long vehicles.



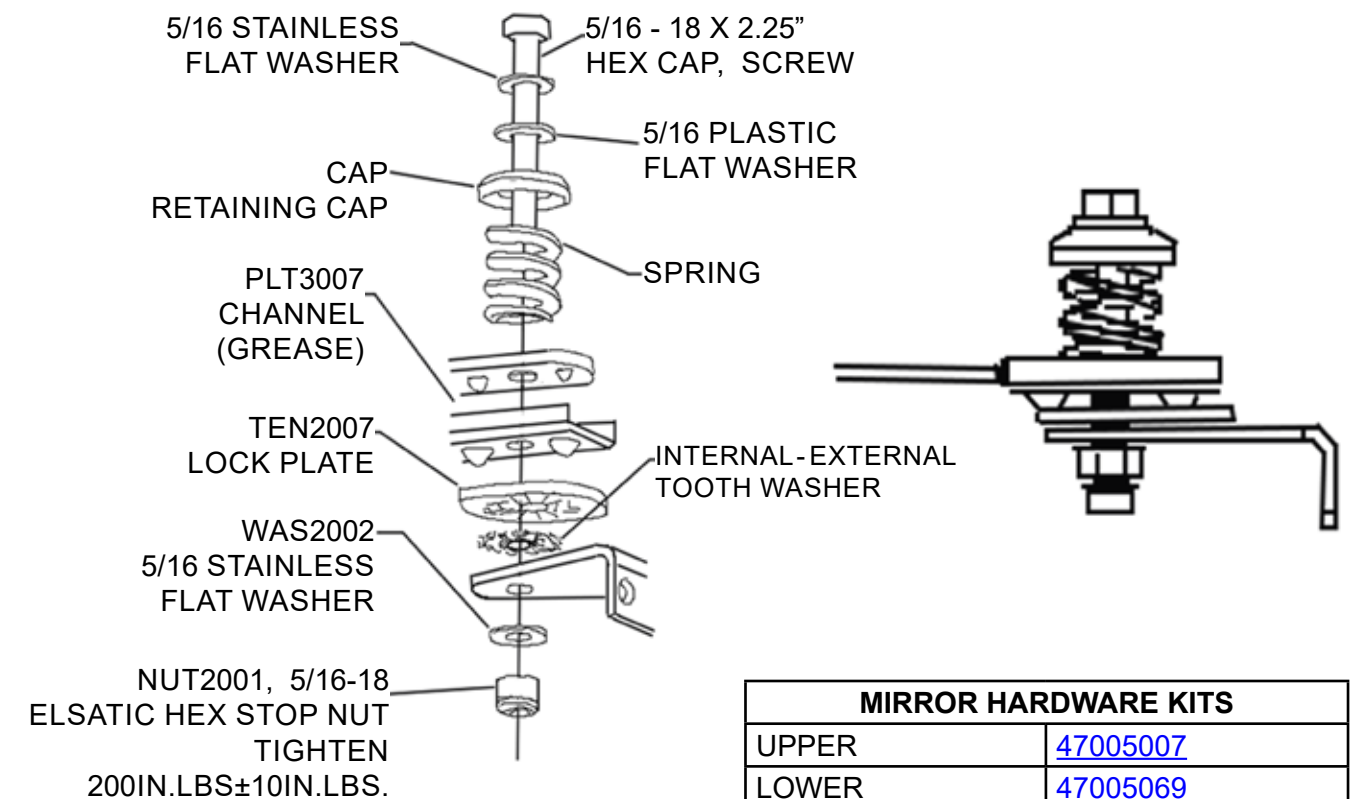
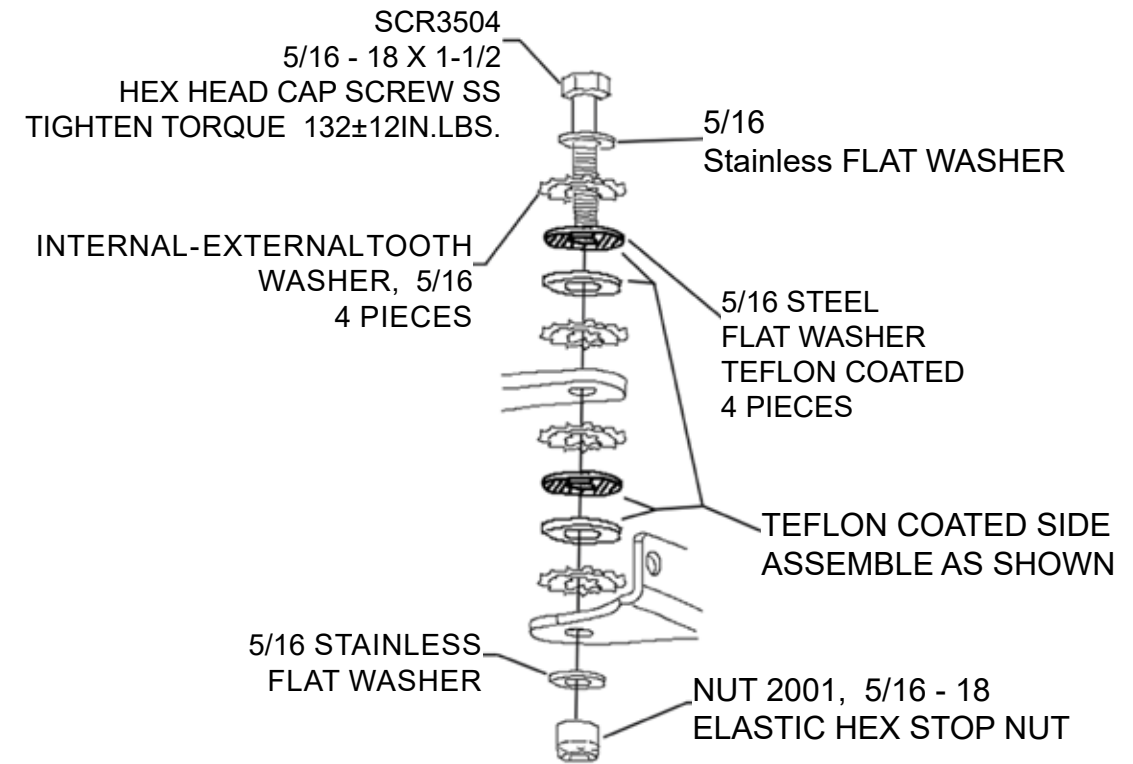
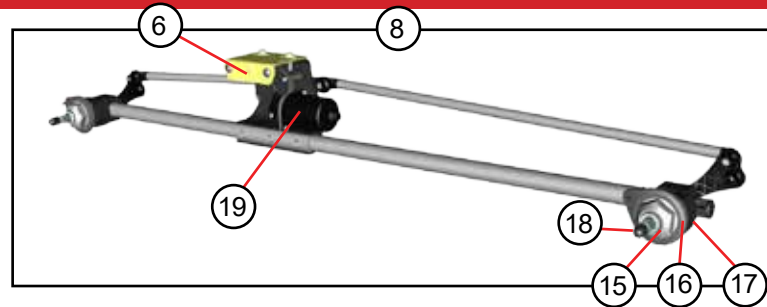
ITEM #	PART #	DESCRIPTION	QTY.	UNIT
FRONT BUMPER				
1	47004269	BUMPER FRONT STEEL 93W 9IN	1	EA
2	165008402	BRACE BUMPER FRONT STL .7X15.22X73	1	EA
1	205008200	BUMPER FRONT STEEL 86W 9IN	1	EA
2	205008400	BRACE BUMPER FRONT STL .7X15.22X66	1	EA
REAR BUMPER				
3	47004270	BUMPER REAR 93W 10" DEEP	1	EA
3	47004274	BUMPER REAR 86W 10" DEEP	1	EA
4	175007403	PLATE HANGER STEEL .312X7X11	2	EA
5	006370401	PROTECTIVE RUBBER BUMPER X18"	2	EA
6	003057201	SHOCK BUMPER	2	EA



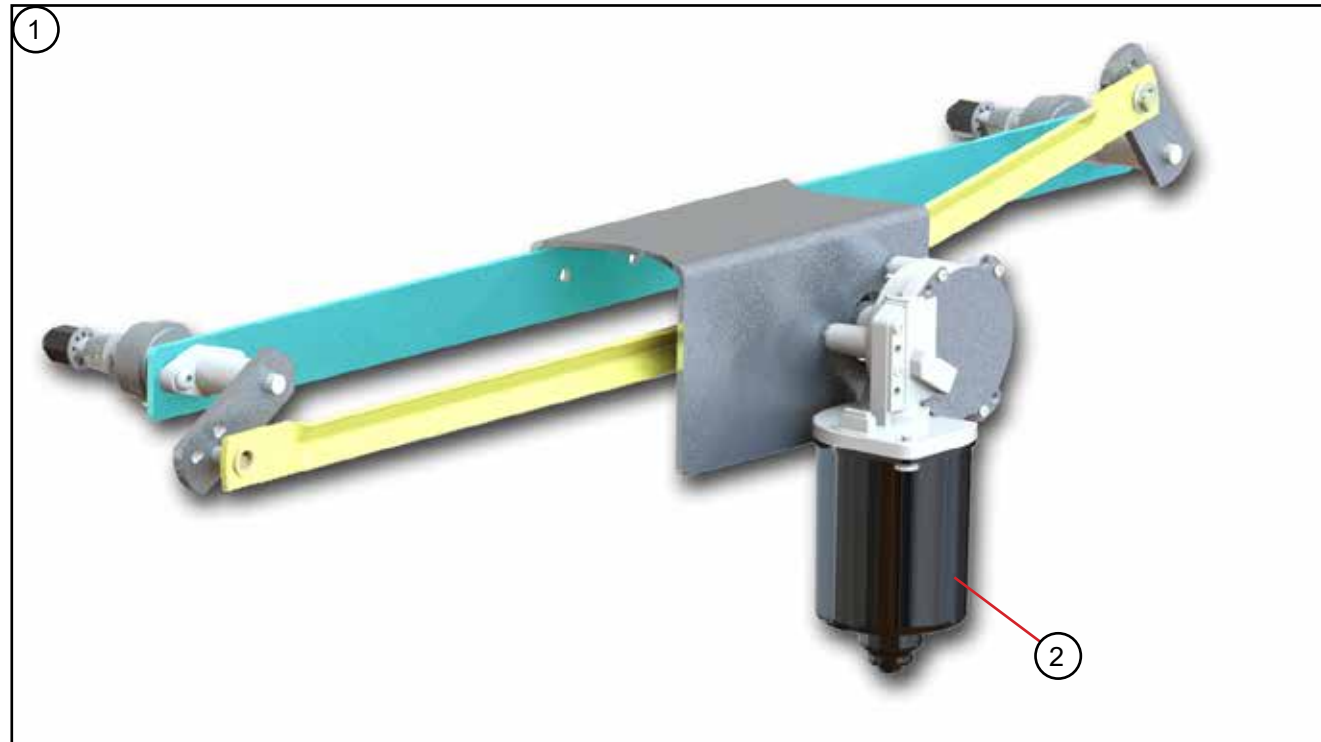
ITEM #	PART #	DESCRIPTION	QTY.	UNIT
1	46029066	RFID READER W/ 3 FOBS (@ CURBSIDE DOOR)	1	EA
1	46029067	RFID READER (@ BULKHEAD & REAR)	2	EA
2	46029068	REPLACEMENT KEY TAG	-	EA
3	207147200	LATCH ASSEMBLY @ REAR DOOR	1	EA
4	207147202	LATCH ASSEMBLY @ BULKHEAD	1	EA
5	46029042	LOCK ASSEMBLY @ CURBSIDE DOOR	1	EA
6	137147400	SOLENOID (BULKHEAD & REAR)	1	EA
6	46032317	SOLENOID W/ SPRING (CURBSIDE DOOR)	1	EA
7	137147428	CLAMP	2	EA
8	47000993	CYLINDER LOCK W/ 2 KEYS (REAR LOCK OVERRIDE)	1	EA
9	137147414	CABLE	1	EA
10	1117835	SCREW STAINLESS #10-24 X2.5"	4	EA
11	1103354	NUT STAINLESS #10-24	4	EA
12	150127465	SHIM	3	EA
13	40900011	STEEL CAM	1	EA
14	207147402	BRACKET MOUNTING	1	EA
15	136060401	RECEPTICAL COVER	1	EA



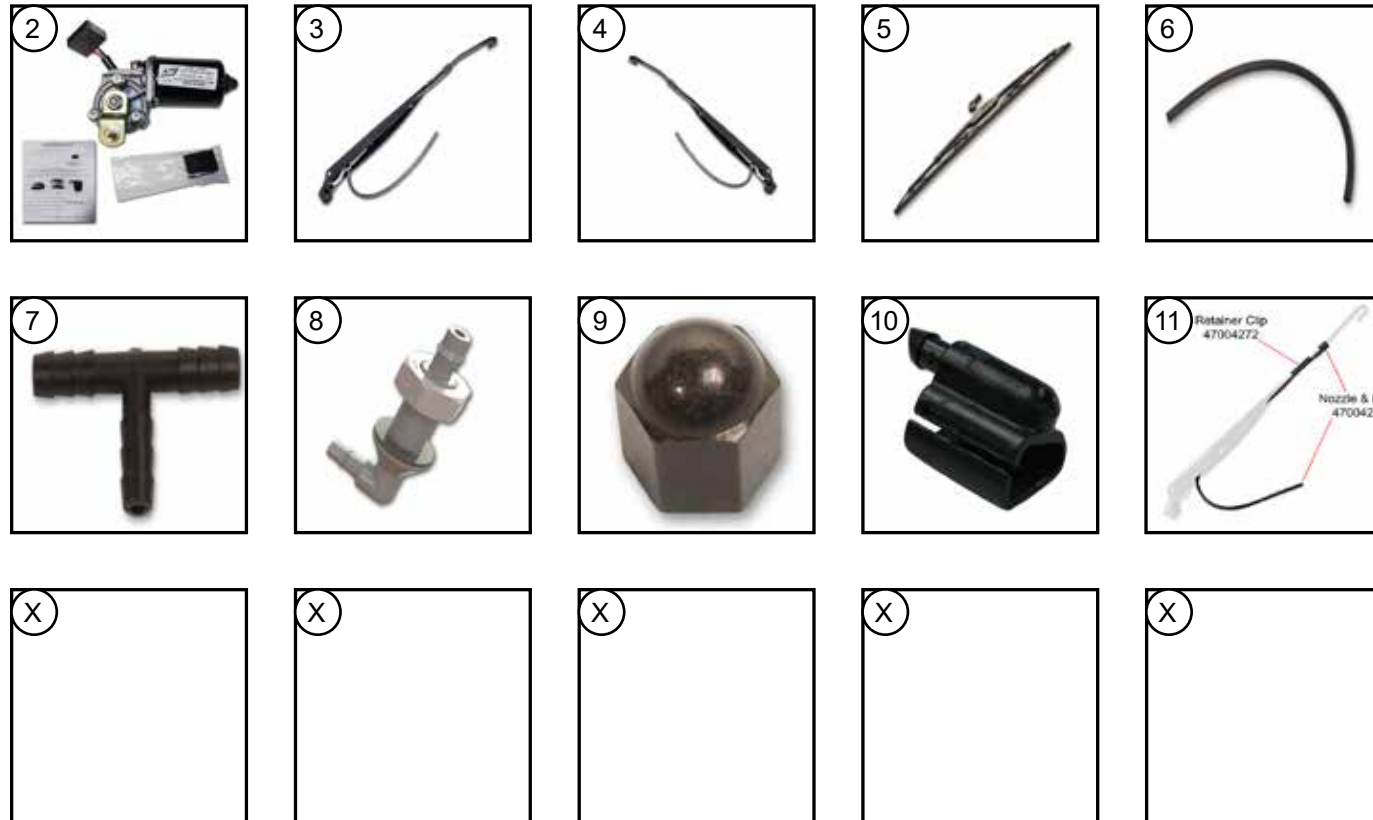
ITEM #	PART #	DESCRIPTION	QTY.	UNIT
1	47006169	MIRROR ASSEMBLY ROADSIDE HEATED	1	EA
2	47006170	MIRROR ASSEMBLY CURBSIDE HEATED	1	EA
3	47004271	WET KIT FOR WIPER ARM (SPRAY NOZZLE & HOSE)	1	EA
4	47004272	RETAINER CLIP FOR HOSE 2"	1	EA
5	1107122	HOSE .188 ID WSW	12	FT
6	083055454	BRACKET WIPER MOTOR	1	EA
7	1101694	TEE WSWA U/T	1	EA
8	47004188	WIPER SYSTEM TBLR 2 PIVOT (HIGH MOUNT)	1	EA
10	47004134	BLADE 24IN BLACK	1	EA
11	47004206	ARM WSW WET 22IN RADIAL BLACK	1	EA
12	47005855	RESERVOIR W/PUMP WINDSHIELD WASHER	1	EA
13	155063401	BRACKET MOUNTING RSVR AL .25X14.9X17.58	1	EA
14	46021115	CLIP BODY LARGE PAN	1	EA
15	47005901	NUT	2	EA
16	47005902	PIVOT COVER	2	EA
17	47005903	SPACER	2	EA
18	81600189	ACORN NUT	2	EA
19	47005900	MOTOR WINDSHIELD WIPER	1	EA
20	47005099	MIRROR ASSEMBLY FRONT SIDE VIEW	1	EA
21	47006180	11" ROUND MIRROR ONLY	-	EA

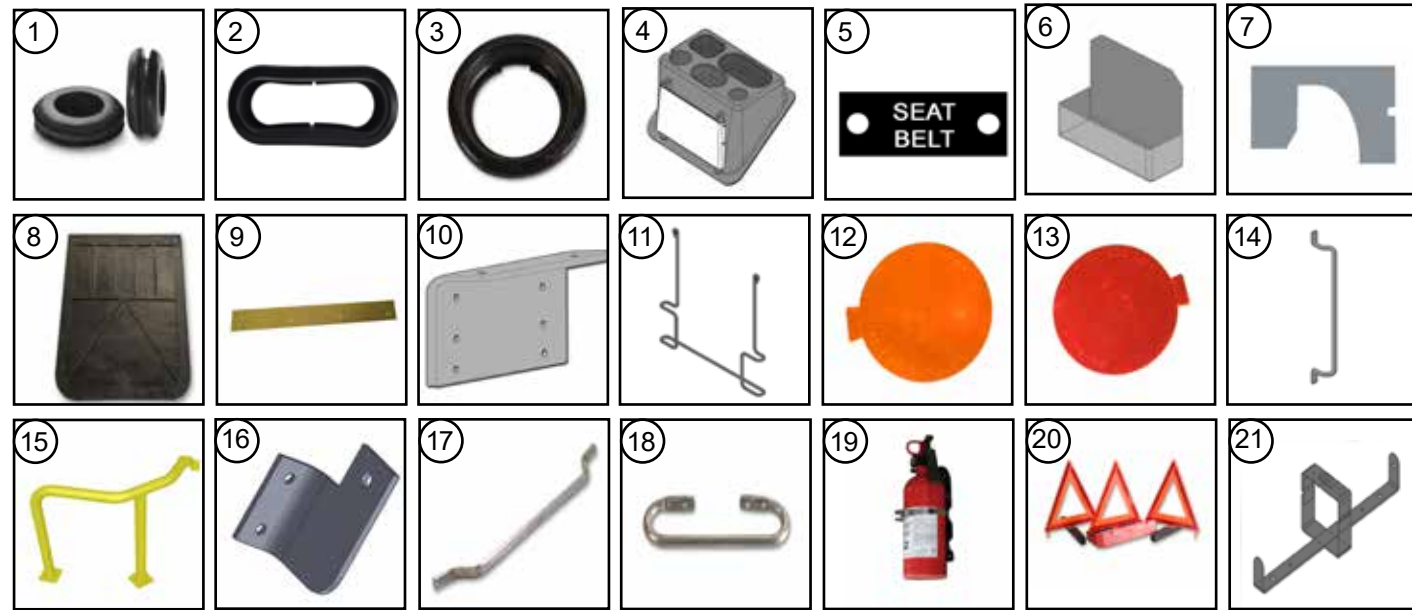


MIRROR HARDWARE KITS	
UPPER	47005007
LOWER	47005069

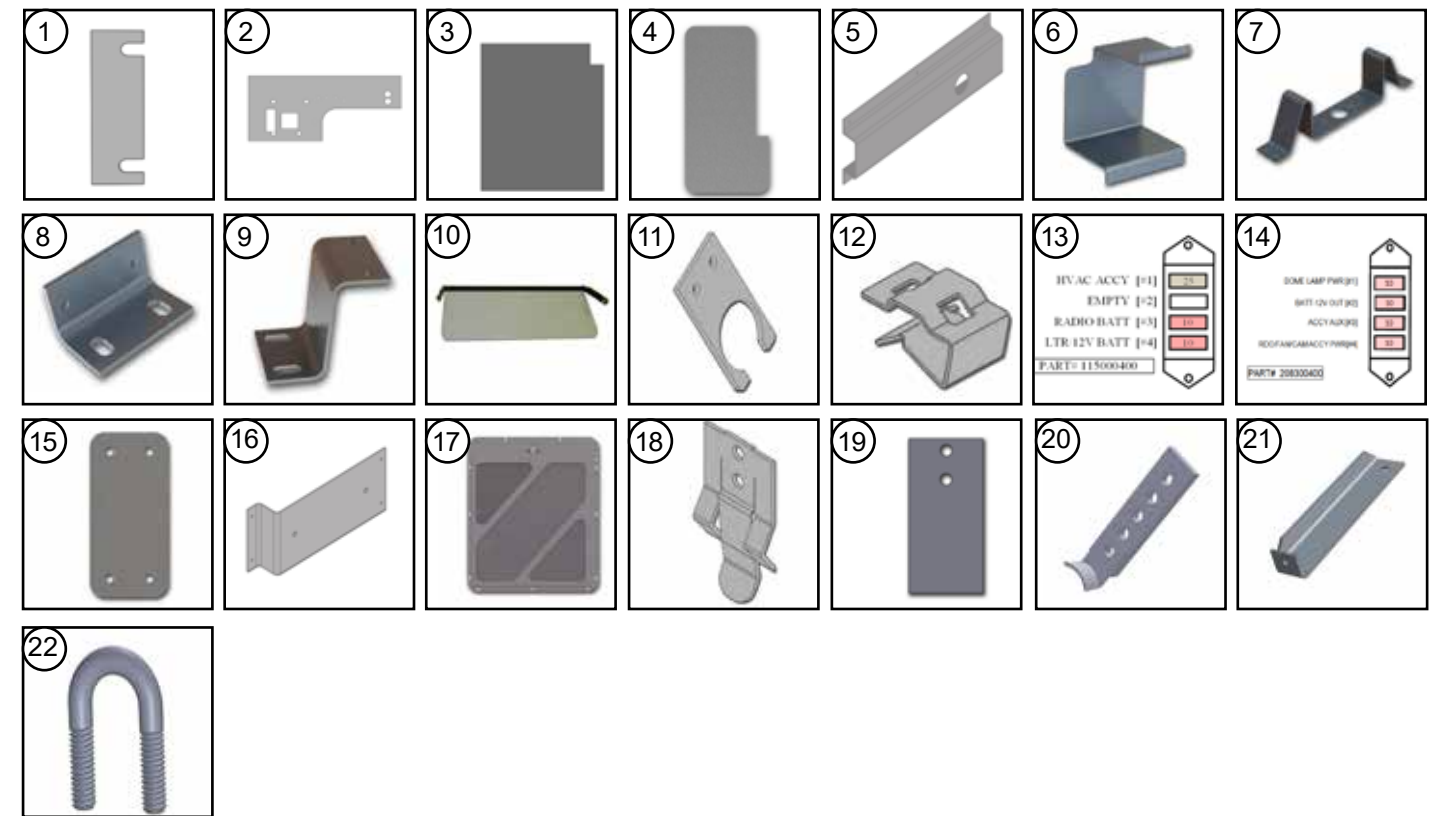


ITEM #	PART #	DESCRIPTION	QTY.	UNIT
1	47004200	WIPER SYSTEM WITH 2 PIVOTS 93/96W	1	EA
2	47004153	MOTOR ASSEMBLY W/ DRV ARM	1	
3	47004226	WIPER ARM 19IN KNURL LH	1	EA
4	47004225	WIPER ARM 19IN KNURL RH	1	EA
5	47004134	BLADE WSW 24IN BLACK	2	EA
6	1107122	HOSE .188 ID WSW	12	FT
7	1101694	TEE WSWA U/T	1	EA
8	47004223	WASHER KIT 90 (2X PASS THROUGH FITTINGS)	1	EA
9	81600189	ACORN NUT	2	EA
10	47004271	SPRAY NOZZLE	1	EA
11	47004272	RETAINER CLIP (HOSE)	1	EA





ITEM #	PART #	DESCRIPTION	QTY.	UNIT
1	44000052	GROMMET .688X.125X1	2	EA
2	46004403	GROMMET OBLONG BLACK	2	EA
3	46004402	GROMMET ROUND BLACK 4IN LAMP	4	EA
4	47009653	CENTER CONSOLE (SHOWN WITH FRONT PANEL)	1	EA
-	165127403	FRONT PANEL FOR CENTER CONSOLE	1	EA
5	45200256	LABEL SEAT BELT ALARM	1	EA
6	150107400	HOLDER FIRST AID KIT	1	EA
7	006526401	PANEL SPLASH VINYL .125X19.25X51.6	2	EA
8	1107308	MUD FLAP BLACK NO LOGO 20X24	1	PR
9	7504428	RETAINER MD/FLP AL .125X1.5X20	2	EA
10	80795014	ANGLE RETAINER AL .188X5X20	2	EA
11	47009706	SUPPORT BRACKET MUD FLAPS	2	EA
12	46025018	REFLECTOR 2.88" AMBER	2	EA
13	46025017	REFLECTOR 2.88" RED	4	EA
14	47001084	GRAB HANDLE OFFSET	1	EA
15	47001047	GRAB RAIL POWDER COATED YELLOW (CLIP P/N)	1	EA
16	107005490	MOUNTING CLIP FOR GRAB RAIL	1	EA
17	98150310	GRAB HANDLE AL 450243X26.38	2	EA
18	90187300	GRAB HANDLE .5X15.7 (@ HOOD)	1	EA
19	47009656	FIRE EXTINGUISHER 2.5 LB.	1	EA
20	47009547	TRIANGLE KIT SAFETY	1	EA
21	47009548	BRACKET MOUNTING TRIANGLE KIT	1	EA



ITEM #	PART #	DESCRIPTION	QTY.	UNIT
1	117094402	SHIM - BULKHEAD DOOR	1	EA
2	095116400	INSULATION DASH WALL	1	EA
3	175026400	SPLASH PAN FILLER 45200014X9X9	1	EA
4	198005401	PLATE FILLER @ A-POST	1	EA
5	155127400	GUARD MARKER LAMP AL 450039X16.44	2	EA
6	207147407	GUARD KEYLESS REAR	1	EA
7	140092402	GUARD BACK UP CAMERA	1	EA
8	207094400	BRACKET SWITCH MAGNETIC AL .102X2X2.12	1	EA
9	207094401	BRACKET SWITCH MAGNETIC RUD AL .102X2X5.37	1	EA
10	47005504	SUN VISOR 8X33	2	EA
11	090087401	PLATE FILLER WIRING AL.102X 1.44X2.63	2	EA
12	46021114	CLIP MEDIUM	1	EA
12	46021115	CLIP LARGE	1	EA
13	115000400	LABEL FUSE BLOCK LH	1	EA
14	208300400	LABEL FUSE BLOCK RH	1	EA
15	093084401	PLATE COVER FUSE BOX	1	EA
16	165094400	BRACKET MOUNTING JUNCTION BOX REAR WIRING	1	EA
17	43001402	PLACARD FRAME	4	EA
18	47009300	SPRING CLIP PLACARD	1	EA
19	165119400	BACKER PLATE PLACARD CLIP	1	EA
20	40300929	STRAP HANGER	1	EA
21	165040400	BRACKET HANGER AL .125X2.54X12.04	1	EA
22	40300930	"U" BOLT 3.5"	1	EA



ITEM #	PART #	DESCRIPTION	QTY.	UNIT
1	46000213	HEADLAMP ASSEMBLY	2	EA
2	46000615	LAMP PARK / TURN (GROMMET - 46004403 x2)	2	EA
3	46002222	LAMP COMBO S/T/T (GROMMET 46004402 X2)	2	EA
4	46001339	LAMP CLEARANCE MARKER LED AMBER	4	EA
4	46001362	LAMP CLEARANCE MARKER LED AMBER	1	EA
5	46001382	LAMP CLEARANCE MARKER LED AMBER P2 D/FUNC	4	EA
6	46001340	LAMP CLEARANCE MARKER LED RED P2	2	EA
7	46001380	LAMP CLEARANCE MARKER LED RED P2 D/FUNC	3	EA
8	46001384	LAMP CLEARANCE MARKER LED RED PC	2	EA
9	47009642	LAMP LICENSE PLATE CLEAR LED	1	EA
10	46002427	LAMP LED CLEAR STEPWELL	2	EA
11	46002638	LAMP DOME LED CARGO (BRACKET - 100092401	2	EA
11	46002650	LAMP DOME LED CAB (BRACKET - 090091403)	1	EA
12	46024701	LAMP / BUZZER SEAT BELT ALARM	1	EA
13	46023508	SWITCH ROCKER DOME CAB SPST ON-OFF	1	EA
14	46023603	SWITCH ROCKER DOME CARGO SPDT ON-ON	1	EA
15	46023511	SWITCH ROCKER DOOR UNLOCK SPST	2	EA
16	46029061	SWITCH ROCKER DASH FAN SPDT ON-OFF-ON	1	EA
17	46023611	SWITCH ROCKER BASE ONLY SPDT ON-ON	1	EA
18	46023618	SWITCH ACTUATOR ONLY HEATED MIRRORS	1	EA
19	46023603	SWITCH ROCKER DOME CARGO SPDT ON-ON	1	EA
20			2	EA
21				EA



ITEM #	PART #	DESCRIPTION	QTY.	UNIT
1	48200164	MONITOR BACK UP CAMERA (MOUNT - 48200193)	1	EA
2	46029042	LOCK KEYLESS ENTRY CURBSIDE	1	EA
3	46025620	RADIO AM/ FM/ USB/ MP3 /BT /AUX	1	EA
4	46025590	SPEAKERS 6.5" BLACK	2	EA
5	46025559	ANTENNA TOP/SIDE MOUNT	1	EA
6	46030011	FAN 2 SPEED 270 CFM	1	EA
7	46027623	BOOT E/BLK HEATER WEATHER PACK CHROME RECEPTICLE	1	EA
8	46027624	PLUG 5-15 E/BLK HEATER WEATHER PACK CHROME	1	EA
9	46027625	RECEPTICLE 5-15 FLEX CABLE BLACK	1	EA
10	46027377	RECEPTICLE CHROME FOR BLANKET HEATER CORD	1	EA
11	46025305	SWITCH MAGNETIC REED NORMALLY OPEN	1	EA
11	46025313	SWITCH MAGNETIC REED NORMALLY OPEN	1	EA
12	46032312	TIMER 30 MIN 10A W/O RELAY	1	EA
13	46032336	TIMER 20 SECOND 10A MAX	1	EA
14	48200167	CABLE - CAMERA TO MONITOR	1	EA
15	48200191	CAMERA BACK UP (CAMERA SUN VISOR - 48200192)	1	EA
16				
17				
18				
19				
20				
21				



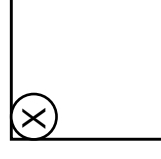
Size	Description	Thread	Lengths													
			.62	3/4"	1"	1-1/4"	1-1/2"	1-3/4"	2"	2-1/2"	3"	3-1/4"	4"			
1/4" Hex Cap Screw	GR5 ZC/RO	20				1117009										
1/4" Hex Cap Screw	GR5 ZC/RoHS	20			1101688								1117818			
1/4" Hex Cap Screw	18-8 Stainless	20		1117816		1117010										
1/4" Hex Cap Screw	ASTM F593C	20			1117819											
5/16" Hex Cap Screw	18-8 Stainless	18			1117045											40300737
5/16" Hex Cap Screw	GR8 ZC/Y	18			1117803											
5/16" Hex Cap Screw	ASTM F593	18			1117803											
5/16" Hex Cap Screw	GR5 ZC/R	16				1117837										
3/8" Hex Cap Screw	GR8 ZC/Y	18			1117049	1117055										
3/8" Hex Cap Screw	GR8 ZC/Y	16			1117843											
3/8" Hex Cap Screw	GR5 ZC/RO	16			47012646											
3/8" Hex Cap Screw	GR5 ZC/RoHS	16	40300056	40300054										051166		
3/8" Hex Cap Screw	ASTM F593C	16				1117805	1117052							05125	1117040	05128
7/16" Hex Cap Screw	GR8 ZC/Y	20					1217000									
1/2" Hex Cap Screw	GR5 ZC/RoHS	13														1117035
1/2" Hex Cap Screw	GR5 ZC/RO	13				1117121								1117050		
1/2" Hex Cap Screw	GR5 ZC/RoHS	13							1117043	1117124	1117043	1117051				
1/2" Hex Cap Screw	GR5 ZC	13								1117036	051461					
5/8" Hex Cap Screw	GR5	11														40300259

	Grade 5 Medium Carbon Steel	Zinc Coated
	Grade 8 Medium Carbon Alloy Steel	Grade Yellow
	Grade 2 Low or Medium Carbon Steel	RoHS
		AS9100C ISO 9001:2008
		American Standards Measurements Specifications

Genuine OEM Parts

1.800.233.4823

www.morganolsonparts.com



ZP - ZINC PLATED

Standard	Thread	FIG.	#8	#10	1/4"	5/16	3/8"	.44	1/2"	DIA.	
										117310	1117838
NYLON LOCKING NUT, HEX	32	1		052266							
NYLON LOCKING NUT, HEX	24	1		40301303							
NYLON LOCKING NUT, HEX ZP	24	3		1117307							
NYLON LOCKING NUT, HEX ZP	20	3			1117310						
NYLON LOCKING NUT, HEX ZP	18	3				1117838					
NYLON LOCKING NUT, HEX ZP	16	3					1117344				
LOCKING NUT HEX FLANGE .44-20 OVAL	20	4						1217003			
NUTSERT EXPANDING NYL .275 SQ	20	5		40900006							
NUT NON LOCKING	24	2		1117303							
NUT NON LOCKING	20	2			1117312						
NUT NON LOCKING	16	2					1117316				
GRADE 5											
NUT STL LK LRG FLG GD5 .31-18	18	4				40100560					
NUT STL HEX LK B ZP .5-13 GR 5	13	1							1117283		
Stainless											
NUT SS LOCKING	32	3	1117347	1117699							
NUT SS LOCKING	24	6		1103354							
NUT SS LOCKING	20	6			1117336						
NUT SS NON LOCKING	20	7			40100044						
NUT SS ACORN LOW CROWN	20	8			40100061						
Specialty											
CHANNEL NUT WITH SPRING 1 X 1-1/4"	20	9			47009988						



		Length												
MAGNA LOCK	Diameter	Fig.	.25	.312	.375	.438	.44	.5	.562	.625	.687	.75	.875	1"
HUCK R6-4	.188	1		1117084	1117061									
HUCK R8-6	.25	2		1117087										
PROTRUDING HEAD	.25	3			40200304		40200634			40200303				
FLUSH HEAD B6-4	.25	4						40200630						
RIV AL BRAIZER HEAD	.125	5		1117402	1117404	1117405		1117406						
RIV AL BRAIZER HEAD	.188	5		1117351	1117353	1117355		1117357	1117359	1117361	1117363	1117365		
RIV AL BRAIZER HEAD	.25	5						1117380					1117390	1117395
RIV AL BRAIZER HEAD MOD	.25	5					40200214	1117409	1117410		1117408			
RIV AL FLAT HEAD	.188	7					1117436	1117438						
RIV AL FLAT HEAD POP	.25	7								40200630				
RIV AL DOME HEAD BLIND	.125	10	1117464											
RIV AL DOME HEAD BLIND	.188	10	1117456							1117459				
POP AL OPEN END BLIND	.125	6			1117421									
POP AL OPEN END BLIND	.188	6	1117456		1117457					1117459			1117458	
POP CLSD BLACK		8						40200629		40200631				
SNAP FASTNER		9						40900925						
BULB TYPE BLIND w/WASHER	.188	10			40200621			40200501						

Genuine OEM Parts

1.800.233.4823

www.morganolsonparts.com



Standard	Center	FIG.	3/8	1/2	9/16	5/8	3/4"	7/8	1"	1-1/4"	1-3/4"
#10 TYPE B FLAT WASHER ZINC/ROHS	.19	1			1117929						
#10 X 1 FENDER WASHER ZC	.19	2							1117950		
#10 EXTERNAL TOOTH LW ZC	.19	3	1117971								
1/4 EXTERNAL TOOTH LW ZC	1/4	3		1117975							
1/4 TYPE B NARROW FLAT WASHER	1/4	4			1117941						
1/4 USS FLAT WASHER ZC/ROHS	1/4	1					1117953				
1/4 F436 (A325) FLAT WASHER ZC/ROHS	1/4	1				40000047					
.266 X 1 FLAT WASHER .060 THK ZC/RO	1/4	1							1117952		
1/4 USS FLAT WASHER	1/4	1		1117885							
5/16 SPLIT LOCK WASHER ZC/ROHS	5/16	5	1117965								
5/16 USS FLAT WASHER ZC/ROHS	5/16	1						1117955			
3/8 USS FLAT WASHER ZC/ROHS	3/8	1						1117957			
3/8 X 1 FLAT WASHER 1/4 THK NYLON	3/8	6						40000038			
1/2 TYPE B REGULAR FLAT WASHER	1/2	1								40000050	
1/2 TYPE B REGULAR FLAT WASHER ZC	1/2	1								1117945	
1/2 TYPE B WIDE FLAT WASHER ZC/ROHS	1/2	1									1117959
Grade 8											
5/16 USS FLAT WASHER GR 8 ZCIY	5/16	7						1117937			
3/8 USS FLAT WASHER GR 8 ZCIY	3/8	7							1117947		
3/8 SAE FLAT WASHER GR 8 ZCIY	3/8	7					40000046				
7/16 USS FLAT WASHER GR 8 ZCIY	7/16	7								1217002	
1/2 SAE FLAT WASHER GR 8 ZCIY	1/2	7							1117943		
Stainless 18-8											
#10 X 5/8 BONDED SEALER 18-8 SS	.19	8				40000053					
1/4 X 5/8 BONDED SEALER 18-8 SS	1/4	8				40000051					
3/8 X 3/4 BONDED SEALER 18-8 SS	3/8	8					40000054				
3/8 X 1" BONDED SEALER 18-8 SS	3/8	8							40000055		
1/4 EXTERNAL TOOTH SS LW ZC	1/4	3		40000510							
Specialty											
WASHER NYLON .13 X .62 ID X 1.38OD	5/8	9									137147429

Genuine OEM Parts

1.800.233.4823

www.morganolsonparts.com



	Diameter	Fig.	Length																
			.5	.625	.75	.875	1"	1-1/4"	1-1/2"	2-1/4"	2-1/2"	3"							
18-8 Stainless																			
PHILLIPS TRUSS M/S 18-8 SS	8 - 32	1		1117716															
PHILLIPS TRUSS M/S 18-8 SS	10 - 24	1	1117800	1117814	40300498														
PHILLIPS TRUSS M/S 18-8 SS	1/4 - 20	1			1117784					40300453	40300454								
PHILLIPS TRUSS M/S 18-8 SS	5/16 - 18	1			1117928														
PHILLIPS FLAT M/S 18-8 SS	10 - 32	2								1117830									
PHILLIPS FLAT M/S 18-8 SS	1/4 - 20	2			40300809					1117782					40300630	40300631			
PHILLIPS ROUND M/S 18-8 SS	10 - 24	6			1117209														
6 LOBE PAN T/C M/S 18-8 SS	1/4 - 20	9								1117815									
Standard Steel RoHS																			
PHILLIPS ROUND M/S ZC/ROHS	8 - 32	6												1117839					
PHILLIPS PAN TEKS/3 ZC/ROHS	10 - 16	5																	
PHILLIPS TRUSS M/S ZC/ROHS	10 - 24	1																	1117793
PHILLIPS TRUSS M/S ZC/ROHS	10 - 32	1	1117723																
T/C - Thread Cutting																			
PHIL PAN T/S TYPE A ZC	10	8																	
PHIL TRUSS T/S TYPE A BLK	10	4																	
PHIL PAN T/S TYPE A BLK	10	7																	
PHIL PAN T/S TYPE A ZC	12	8																	
6 LOBE PAN T/C	1/4 - 20	9																	40300042



T/C Thread Cutting 6 Lobe Type A
Genuine OEM Parts

1.800.233.4823

www.morganolsonparts.com

WIRING HARNESS

WIRING HARNESS 86 & 93 WIDE X 16'

PAGE #	PART #	DESCRIPTION	QTY.	UNIT
54	46025591	HARNESS SPEAKER	1	EA
55	88117437	HARNESS JUMPER TEE GNRC	1	EA
56	88117501	HARNESS JUMPER 3CIRC 5' (60")	1	EA
57	117067201	HARNESS SEAT SENSOR	1	EA
58	117091201	HARNESS ROOF/NOSE	1	EA
59	135085204	HARNESS HOOD LED E-SERIES	1	EA
60	140088200	HARNESS JUMPER Y 2WR P&P X48	1	EA
61	155084203	HARNESS SWITCH RADIO OFF REV TRIG W/RLY	1	EA
62	157388200	HARNESS JUMPER SPCL CHMSL	1	EA
63-64	165088201	HARNESS WIPER/ENGINE E-SER STD	1	EA
65	167081200	HARNESS JUMPER 3WR P&PX135 Y	2	EA
66	192111200	HARNESS ASSEMBLY EXTN CORD 25' 120V	1	EA
67	197092200	HARNESS JUMPER MAGNETIC SWITCH	1	EA
68	197092201	HARNESS JUMPER Y STEPWELL	1	EA
69	205063200	HARNESS WASHER BOTTLE PIGTAIL	1	EA
70-77	207084201	HARNESS IP RFID KEYLESS	1	EA
78-79	207087200	HARNESS REAR JUNCTION BOX KYLS 2020	1	EA
80-81	207093200	HARNESS ROOF JUNC BOX KYLS 2020	1	EA

WIRING HARNESS 93 WIDE X 18'

82-83	185085200	HARNESS HOOD F59 2020 W/HORN	1	EA
84-91	205084201	HARNESS IP RFID KEYLESS F59 2020	1	EA

REV	DATE	BY	CHK
1			
2			
3			
4			
5			
6			
7			
8			
9			
10			
11			
12			
13			
14			
15			
16			
17			
18			
19			
20			

REV	DATE	BY	CHK
1			
2			
3			
4			
5			
6			
7			
8			
9			
10			
11			
12			
13			
14			
15			
16			
17			
18			
19			
20			

REV	DATE	BY	CHK
1			
2			
3			
4			
5			
6			
7			
8			
9			
10			
11			
12			
13			
14			
15			
16			
17			
18			
19			
20			

REV	DATE	BY	CHK
1			
2			
3			
4			
5			
6			
7			
8			
9			
10			
11			
12			
13			
14			
15			
16			
17			
18			
19			
20			

REV	DATE	BY	CHK
1			
2			
3			
4			
5			
6			
7			
8			
9			
10			
11			
12			
13			
14			
15			
16			
17			
18			
19			
20			

REV	DATE	BY	CHK
1			
2			
3			
4			
5			
6			
7			
8			
9			
10			
11			
12			
13			
14			
15			
16			
17			
18			
19			
20			

REV	DATE	BY	CHK
1			
2			
3			
4			
5			
6			
7			
8			
9			
10			
11			
12			
13			
14			
15			
16			
17			
18			
19			
20			

REV	DATE	BY	CHK
1			
2			
3			
4			
5			
6			
7			
8			
9			
10			
11			
12			
13			
14			
15			
16			
17			
18			
19			
20			

REV	DATE	BY	CHK
1			
2			
3			
4			
5			
6			
7			
8			
9			
10			
11			
12			
13			
14			
15			
16			
17			
18			
19			
20			

REV	DATE	BY	CHK
1			
2			
3			
4			
5			
6			
7			
8			
9			
10			
11			
12			
13			
14			
15			
16			
17			
18			
19			
20			

REV	DATE	BY	CHK
1			
2			
3			
4			
5			
6			
7			
8			
9			
10			
11			
12			
13			
14			
15			
16			
17			
18			
19			
20			

REV	DATE	BY	CHK
1			
2			
3			
4			
5			
6			
7			
8			
9			
10			
11			
12			
13			
14			
15			
16			
17			
18			
19			
20			

REV	DATE	BY	CHK
1			
2			
3			
4			
5			
6			
7			
8			
9			
10			
11			
12			
13			
14			
15			
16			
17			
18			
19			
20			

REV	DATE	BY	CHK
1			
2			
3			
4			
5			
6			
7			
8			
9			
10			
11			
12			
13			
14			
15			
16			
17			
18			
19			
20			

- VENDOR MAY REPLACE PIGTAILS WITH WIRING APPROVED MODIFCATIONS OR CONNECTORS. PIGTAILS OR CONNECTORS SHALL BE SHOWN IN TERMINAL VIEW.
- HARNESSES TO BE TESTED FOR CONTENT, OPENS, SHORTS, AND CONTINUITY.
- CONNECTORS SHOWN FROM WIRE ENTRY SIDE. UNLESS OTHERWISE NOTED.
- SPLICES TO BE AUTOMATED WITH HEAT SHRINK TUBING. HEAT SHRINK BUTT SPLICES SHALL BE USED FOR ALL WIRE CONNECTIONS UNLESS OTHERWISE NOTED.
- TAPE (111108B): 8" AT BREAKOUTS AND 2" AT LOOM ENDS.
- HARNESSES TO HAVE A LABEL SHOWING MORGAN OLSON PART NUMBER, REVISION LEVEL, AND DATE OF MANUFACTURE.
- SPLIT POLY LOOM UNLESS OTHERWISE NOTED.
- GXL WIRE.

NOTES:

PROPRIETARY

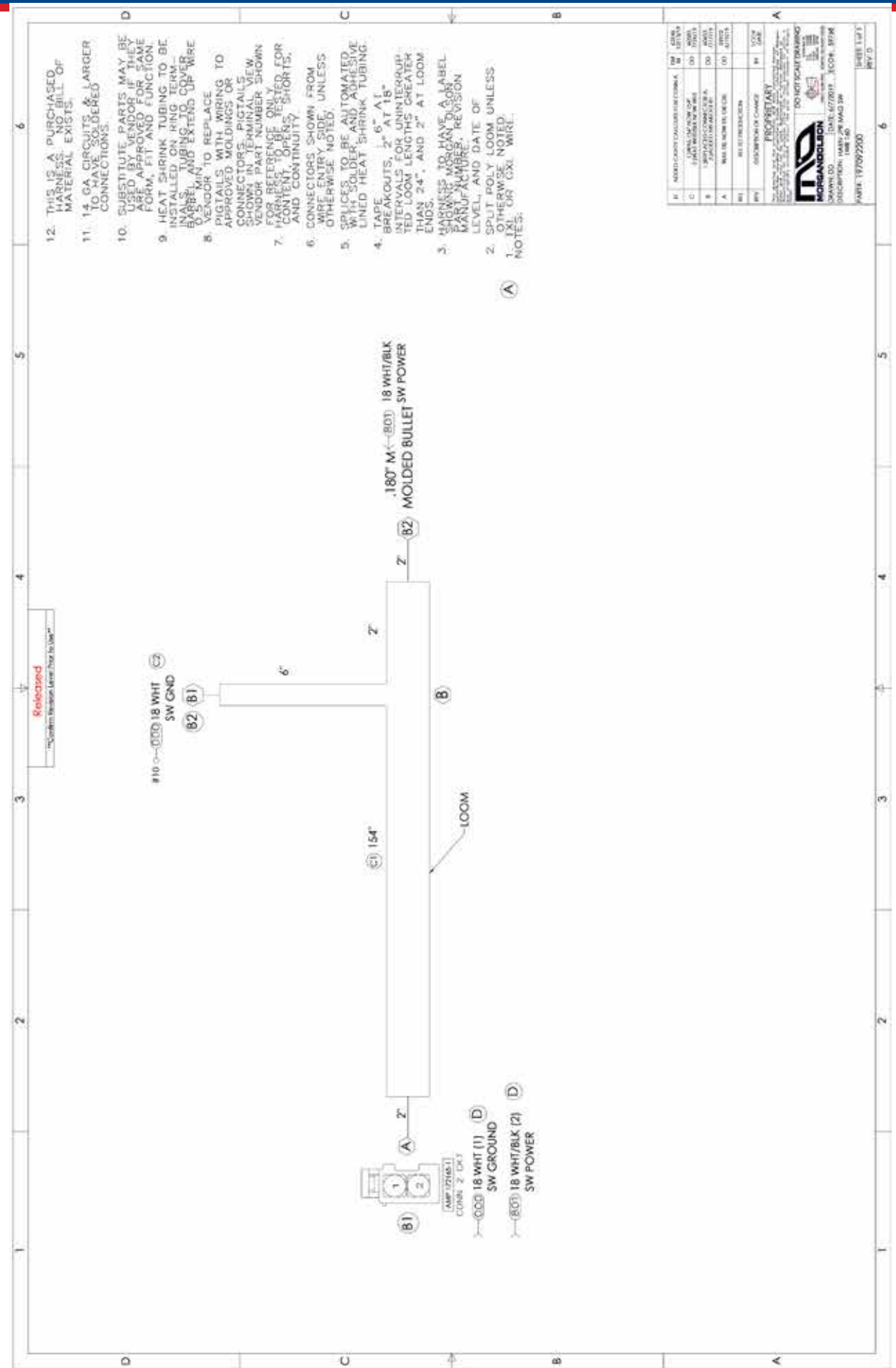
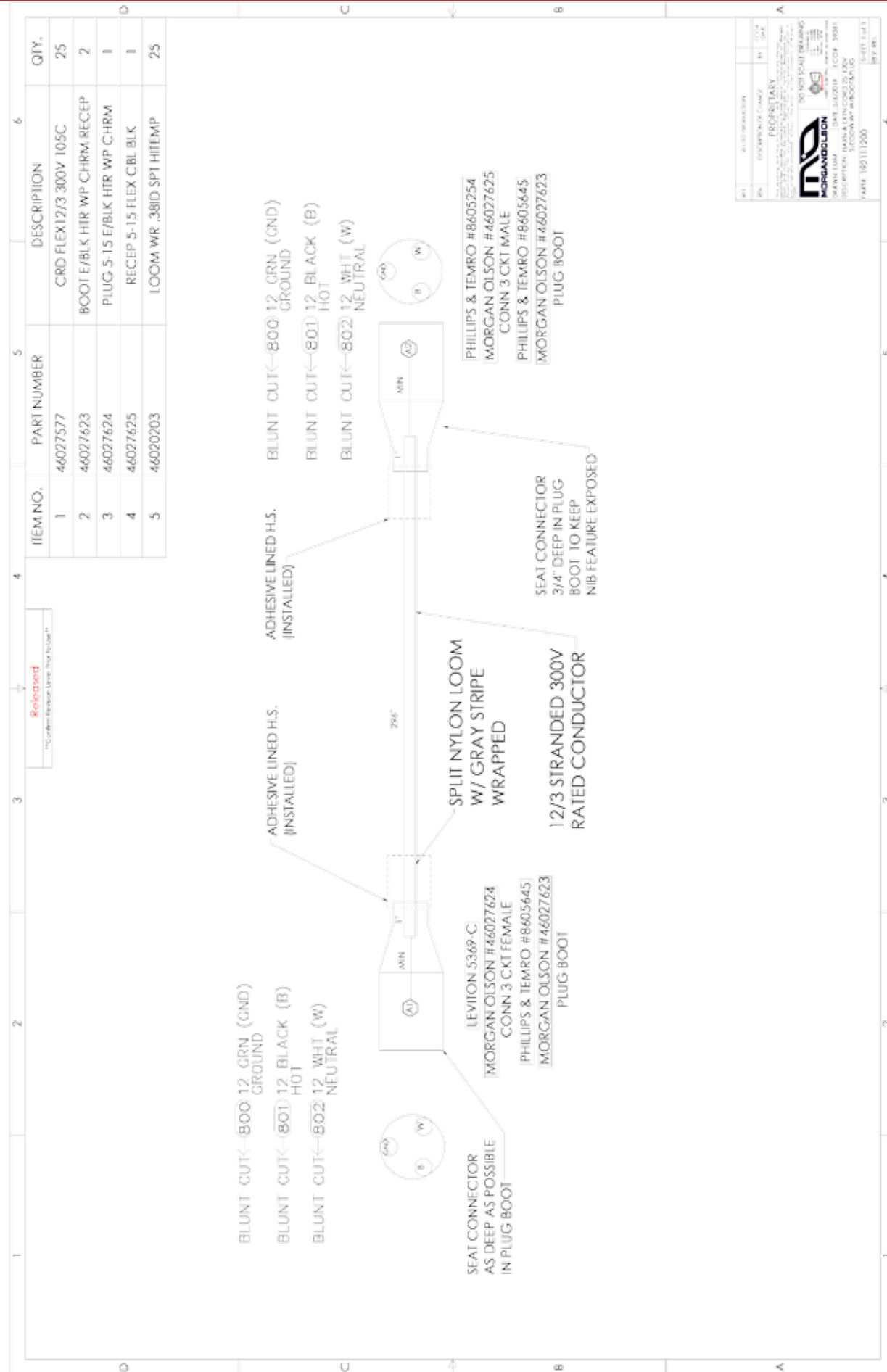


REV	DATE	BY	CHK
1			
2			
3			
4			
5			
6			
7			
8			
9			
10			
11			
12			
13			
14			
15			
16			
17			
18			
19			
20			

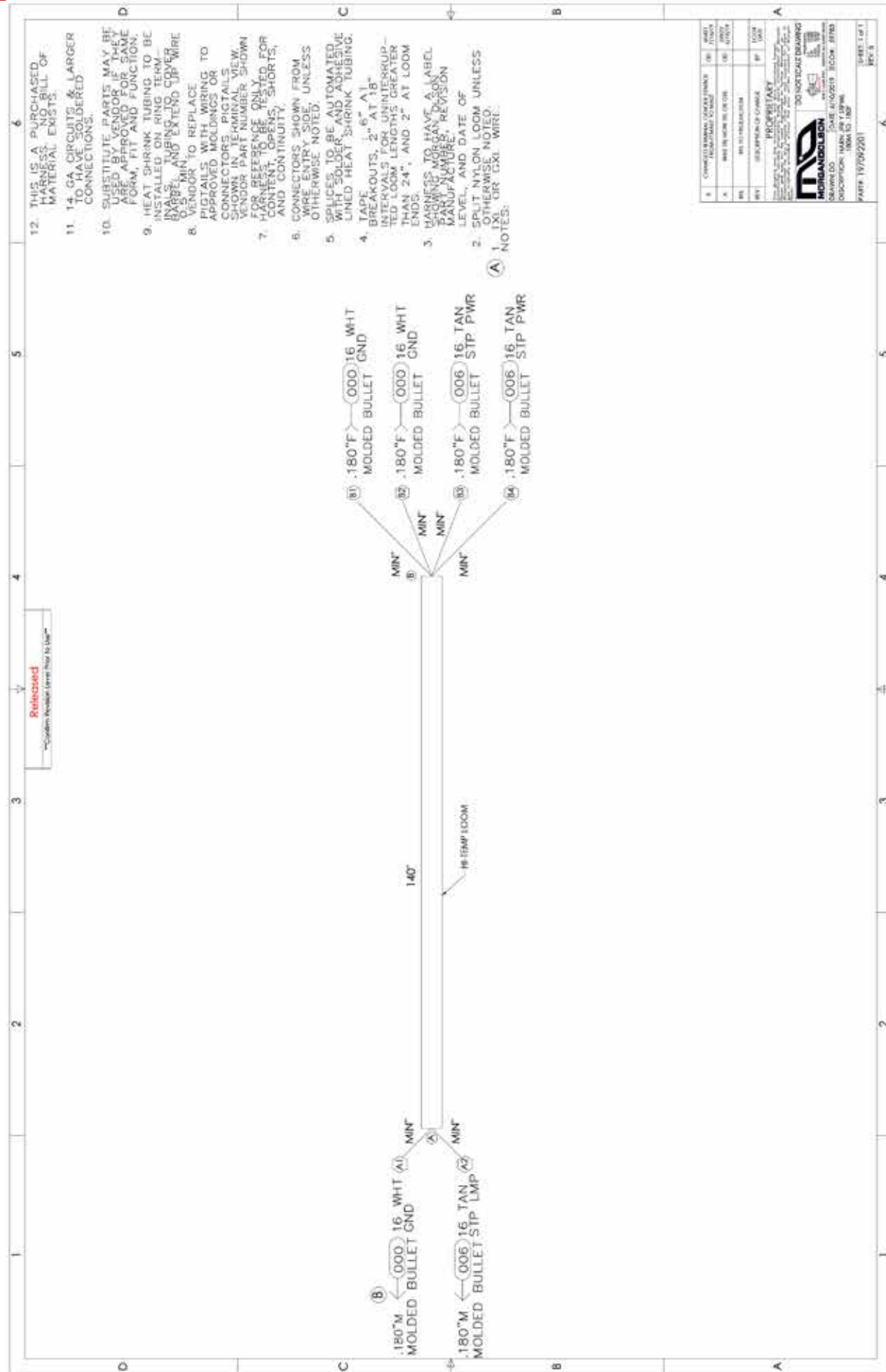
REV	DATE	BY	CHK
1			
2			
3			
4			
5			
6			
7			
8			
9			
10			
11			
12			
13			
14			
15			
16			
17			
18			
19			
20			

REV	DATE	BY	CHK
1			
2			
3			
4			
5			
6			
7			
8			
9			
10			
11			
12			
13			
14			
15			
16			
17			
18			
19			
20			

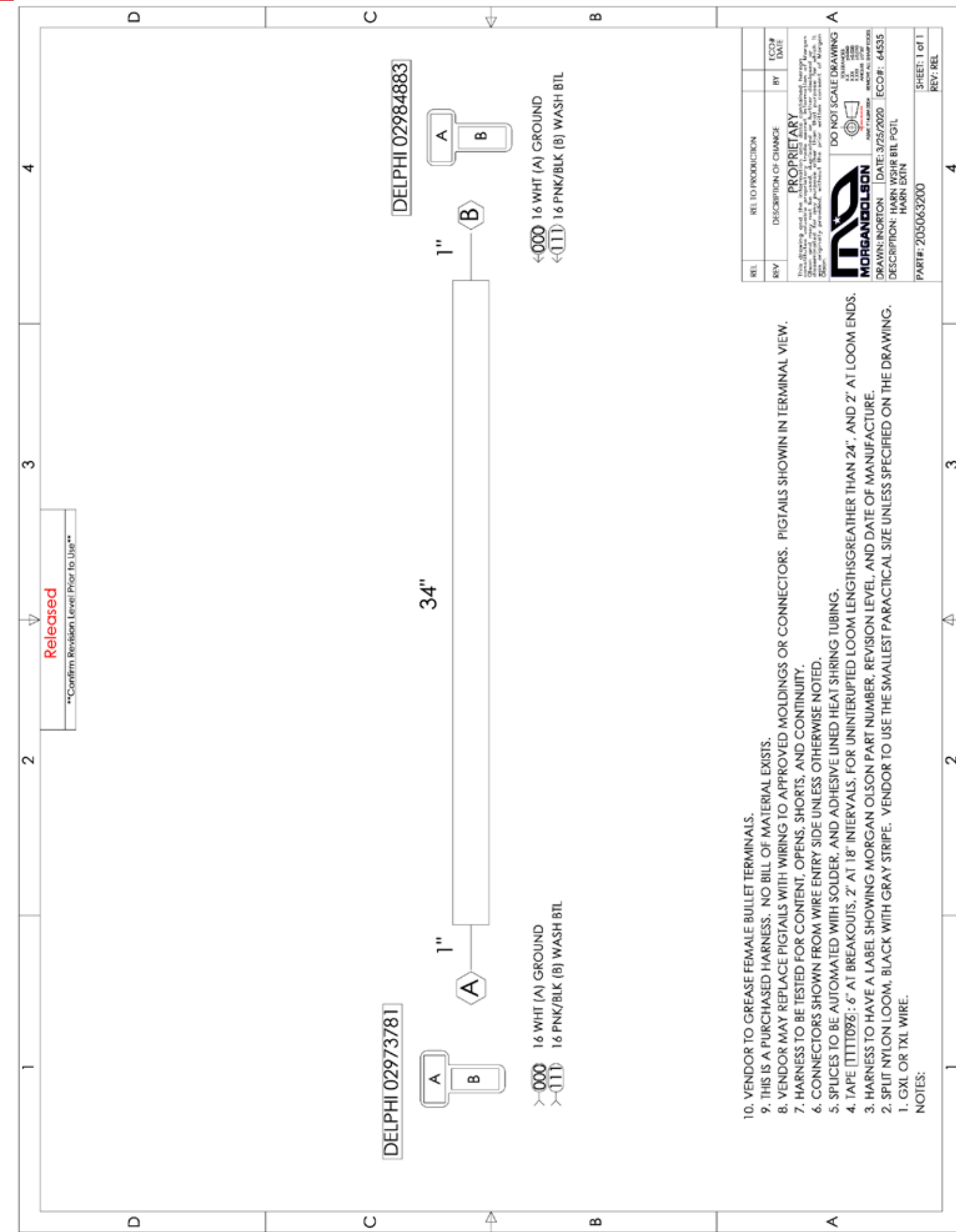
REV	DATE	BY	CHK
1			
2			
3			
4			
5			
6			
7			
8			
9			
10			
11			
12			
13			
14			
15			
16			
17			



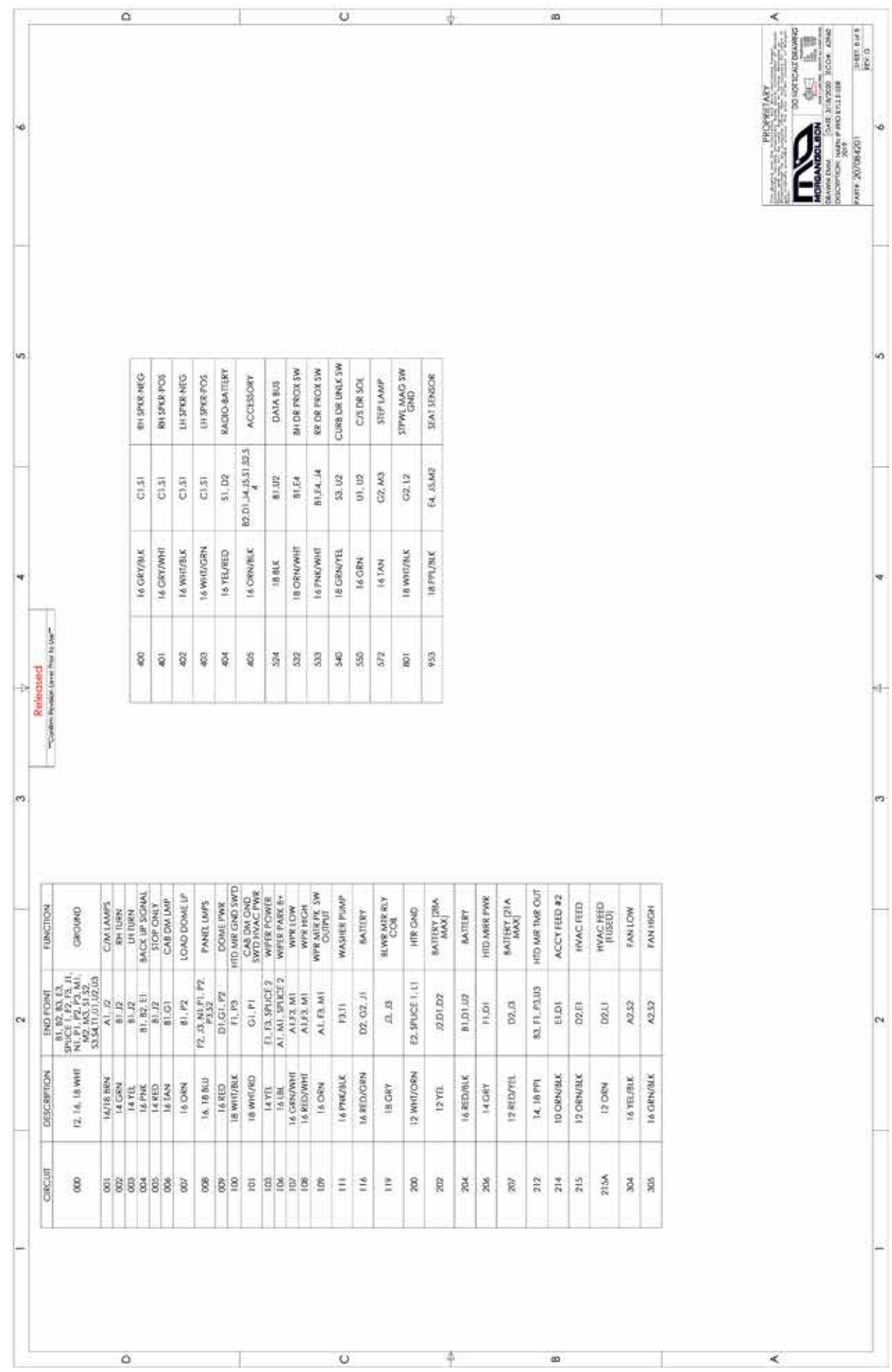
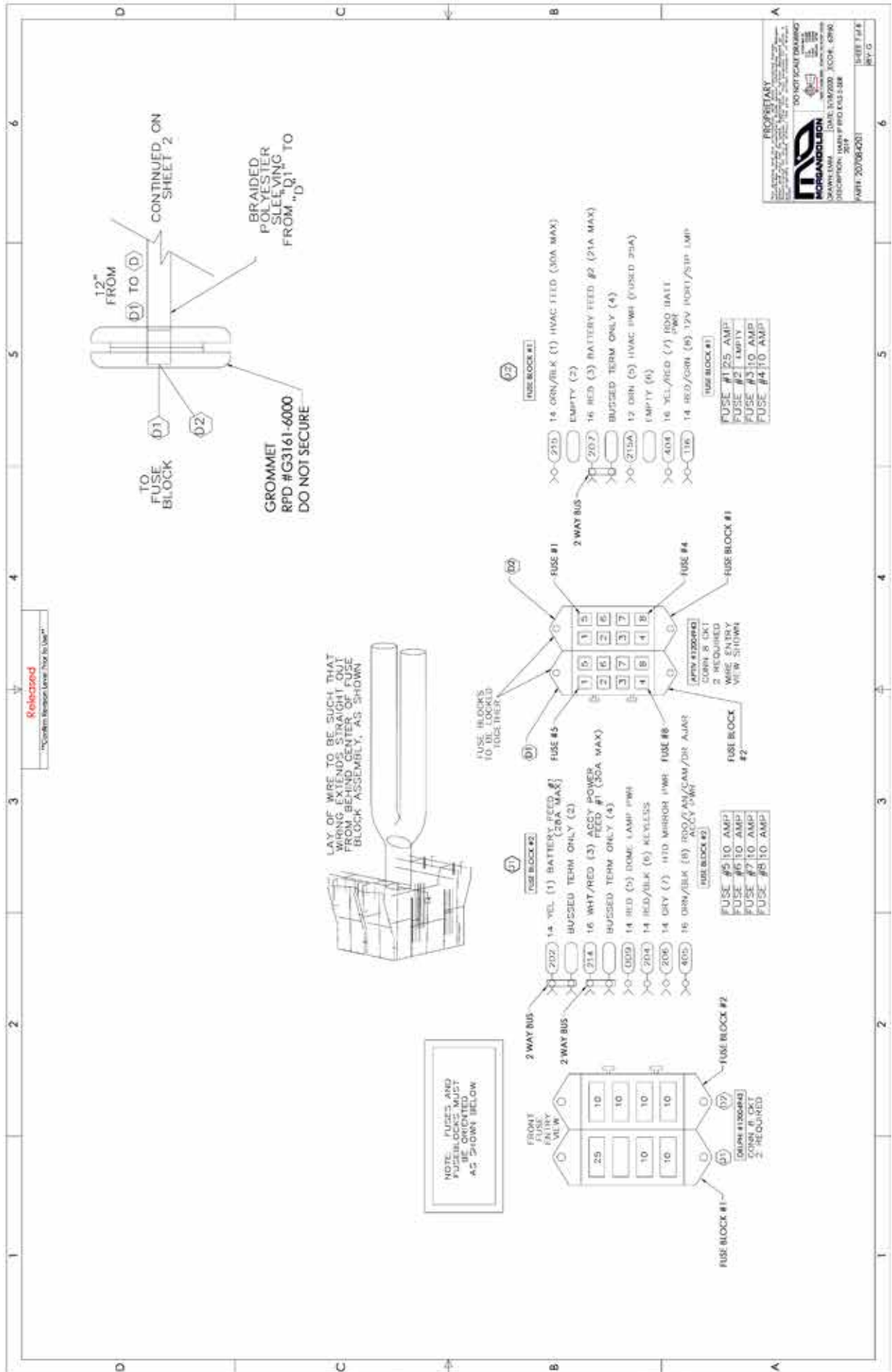
12. THIS IS A PURCHASED PART. THE ORIGINAL BILL OF MATERIALS WILL BE PROVIDED UPON REQUEST.
1. 14 GA. CIRCUITS & LARGER CONDUCTORS ARE NOT TO BE USED FOR CONNECTIONS.
 2. SUBSTITUTE PARTS MAY BE USED IF THEY ARE APPROVED FOR SAME FORM, FIT AND FUNCTION.
 3. HEAT SHRINK TUBING TO BE INSTALLED ON RING TERMINALS, TUBING TO COVER ENDS AND EXTEND UP WIRE TO 5 MIN.
 4. VENDOR TO REPLACE PIGTAILS WITH WIRING TO APPROVED MOLDINGS OR CONDUCTORS. PIGTAILS TO BE INSTALLED IN THE MOLDING. VENDOR PART NUMBER SHOWN FOR REFERENCE ONLY. FOR CONTINUED TESTS FOR AND CONTINUITY SHORTS.
 5. CONNECTORS SHOWN FROM WIRE ENTRY SIDE, UNLESS OTHERWISE NOTED.
 6. SPLICES TO BE AUTOMATED WITH SOLDER AND ADHESIVE LINED HEAT SHRINK TUBING.
 7. TAPE 6" AT 18" BREAKOUTS, 2" AT 18" INTERVALS OR UNTERRAIP INTERVALS. LENGTHS BETWEEN ENDS 24" AND 2" AT LOOM ENDS.
 8. HARNESS TO HAVE A LABEL SHOWING MORGAN OLSON PART NUMBER, REVISION LEVEL, AND DATE OF MANUFACTURE. REVISION OTHERWISE NOTED.
 9. SPLIT POLY LOOM UNLESS OTHERWISE NOTED.
 10. 14 GA. CIRCUIT WIRE.

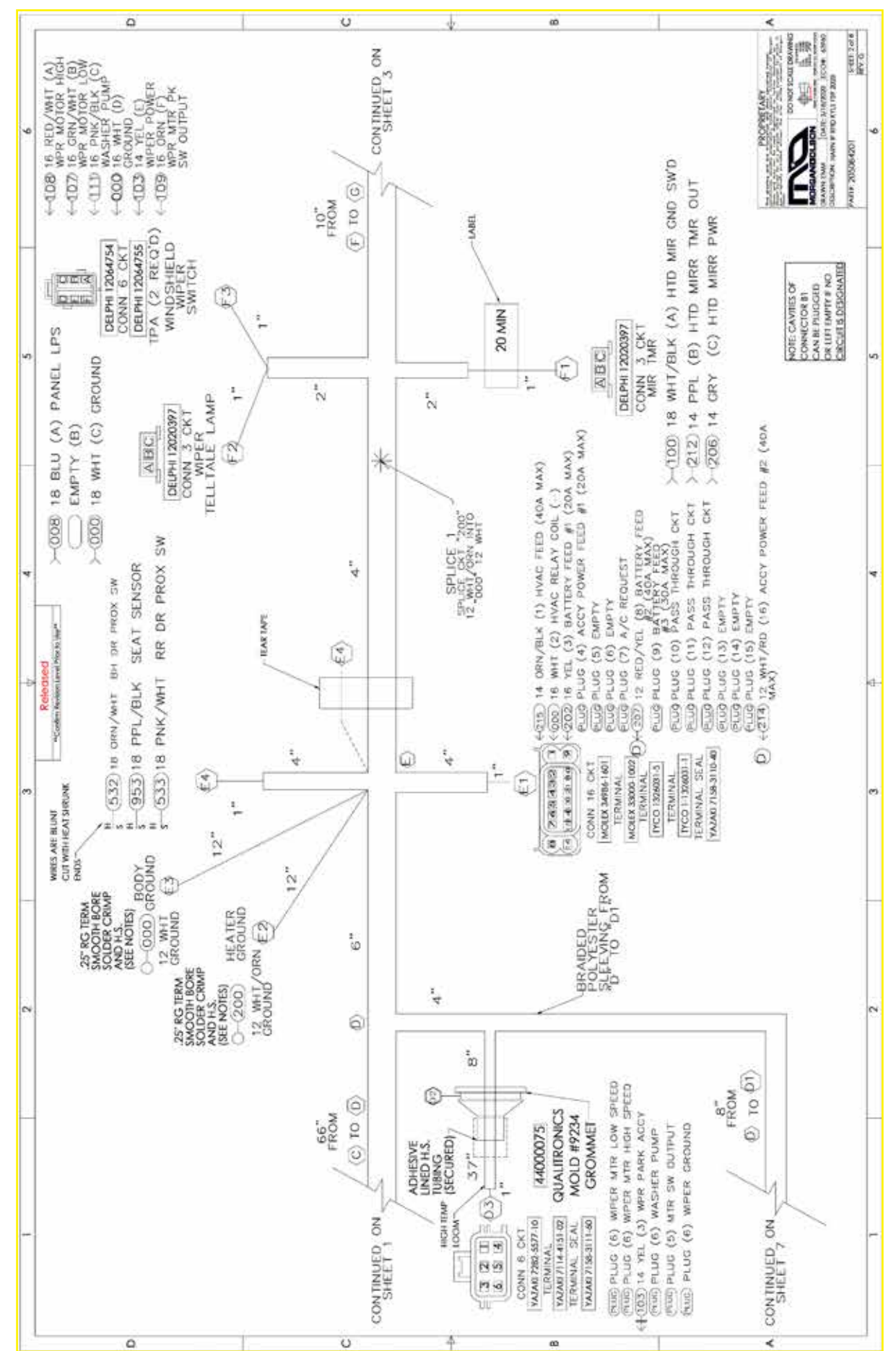
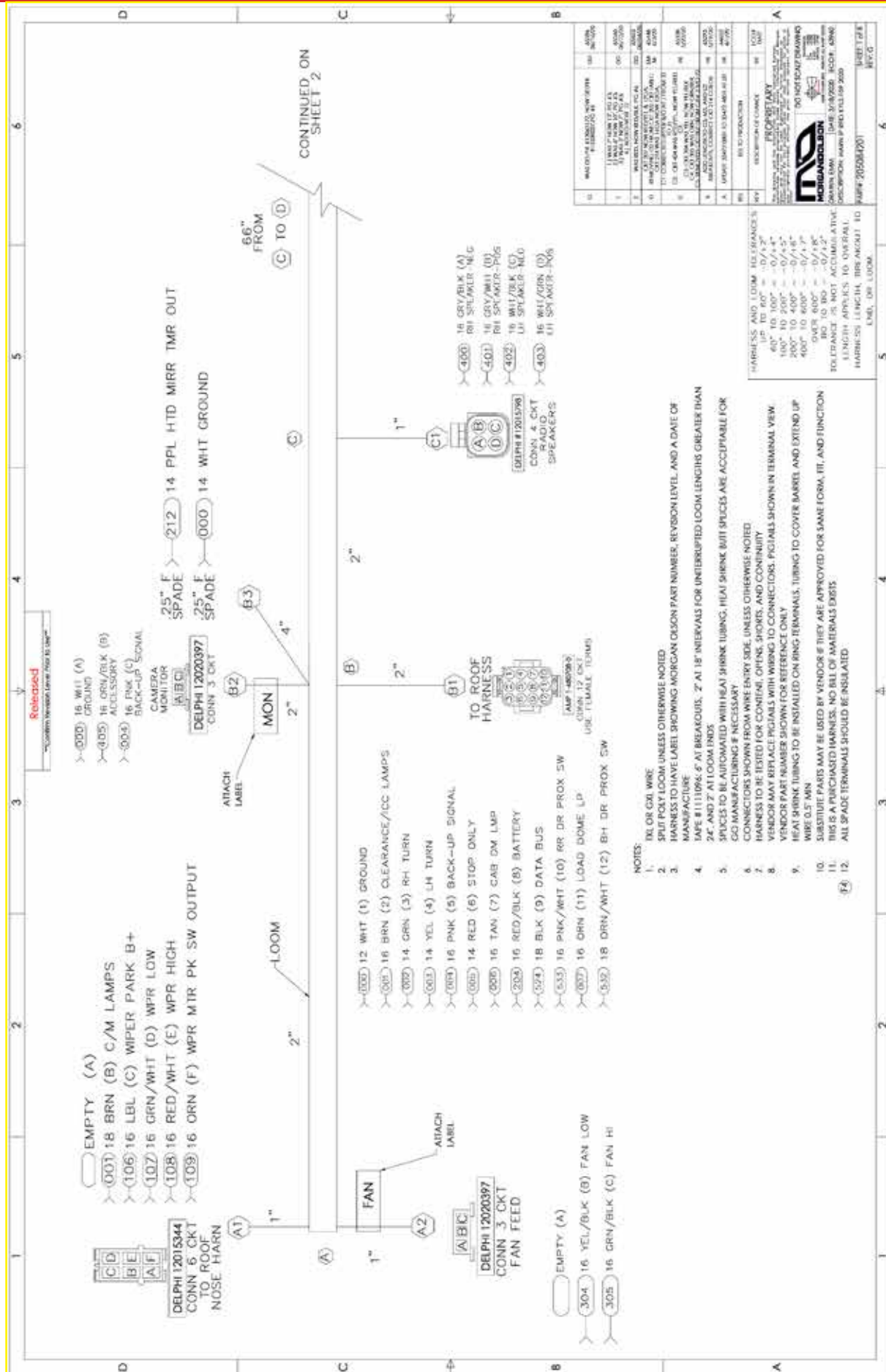


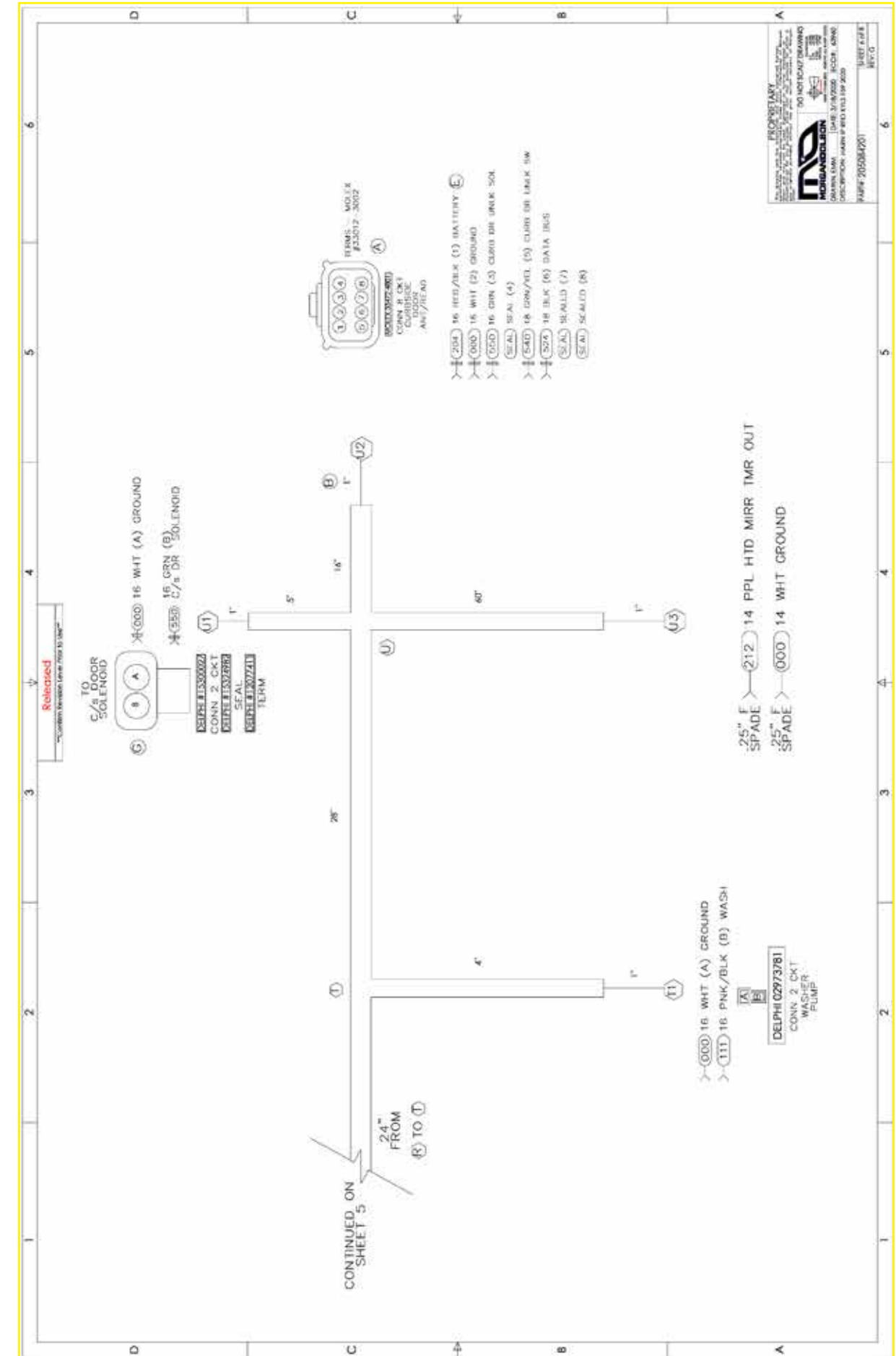
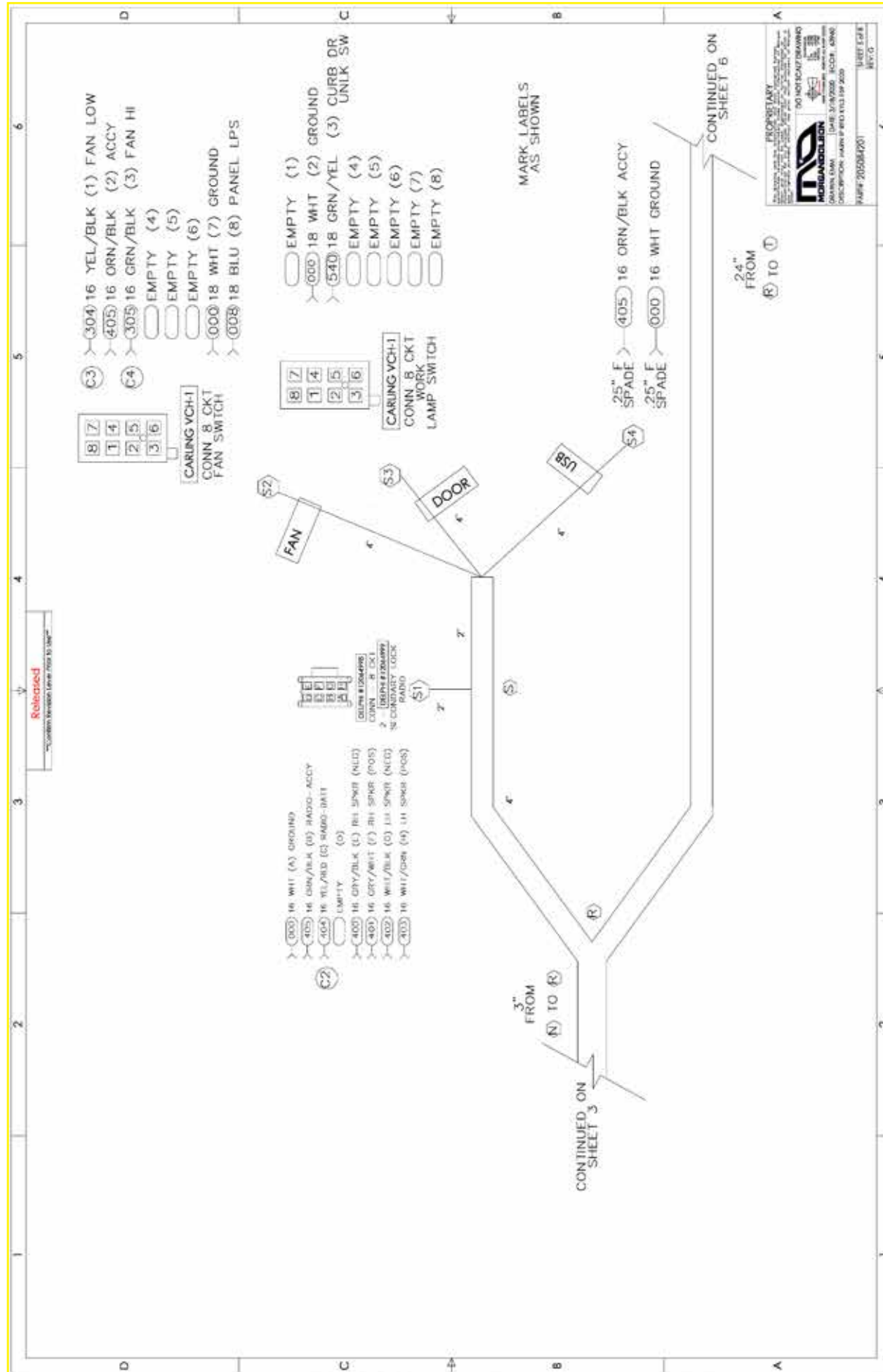
1	DATE	BY	REV
2	DESCRIPTION		
3	REVISIONS		
4	APPROVED		
5	DATE		
6	BY		
7	DESCRIPTION		
8	DATE		
9	BY		
10	DESCRIPTION		
11	DATE		
12	BY		
13	DESCRIPTION		
14	DATE		
15	BY		
16	DESCRIPTION		
17	DATE		
18	BY		
19	DESCRIPTION		
20	DATE		
21	BY		
22	DESCRIPTION		
23	DATE		
24	BY		
25	DESCRIPTION		
26	DATE		
27	BY		
28	DESCRIPTION		
29	DATE		
30	BY		
31	DESCRIPTION		
32	DATE		
33	BY		
34	DESCRIPTION		
35	DATE		
36	BY		
37	DESCRIPTION		
38	DATE		
39	BY		
40	DESCRIPTION		
41	DATE		
42	BY		
43	DESCRIPTION		
44	DATE		
45	BY		
46	DESCRIPTION		
47	DATE		
48	BY		
49	DESCRIPTION		
50	DATE		
51	BY		
52	DESCRIPTION		
53	DATE		
54	BY		
55	DESCRIPTION		
56	DATE		
57	BY		
58	DESCRIPTION		
59	DATE		
60	BY		
61	DESCRIPTION		
62	DATE		
63	BY		
64	DESCRIPTION		
65	DATE		
66	BY		
67	DESCRIPTION		
68	DATE		
69	BY		
70	DESCRIPTION		
71	DATE		
72	BY		
73	DESCRIPTION		
74	DATE		
75	BY		
76	DESCRIPTION		
77	DATE		
78	BY		
79	DESCRIPTION		
80	DATE		
81	BY		
82	DESCRIPTION		
83	DATE		
84	BY		
85	DESCRIPTION		
86	DATE		
87	BY		
88	DESCRIPTION		
89	DATE		
90	BY		
91	DESCRIPTION		
92	DATE		
93	BY		
94	DESCRIPTION		
95	DATE		
96	BY		
97	DESCRIPTION		
98	DATE		
99	BY		
100	DESCRIPTION		

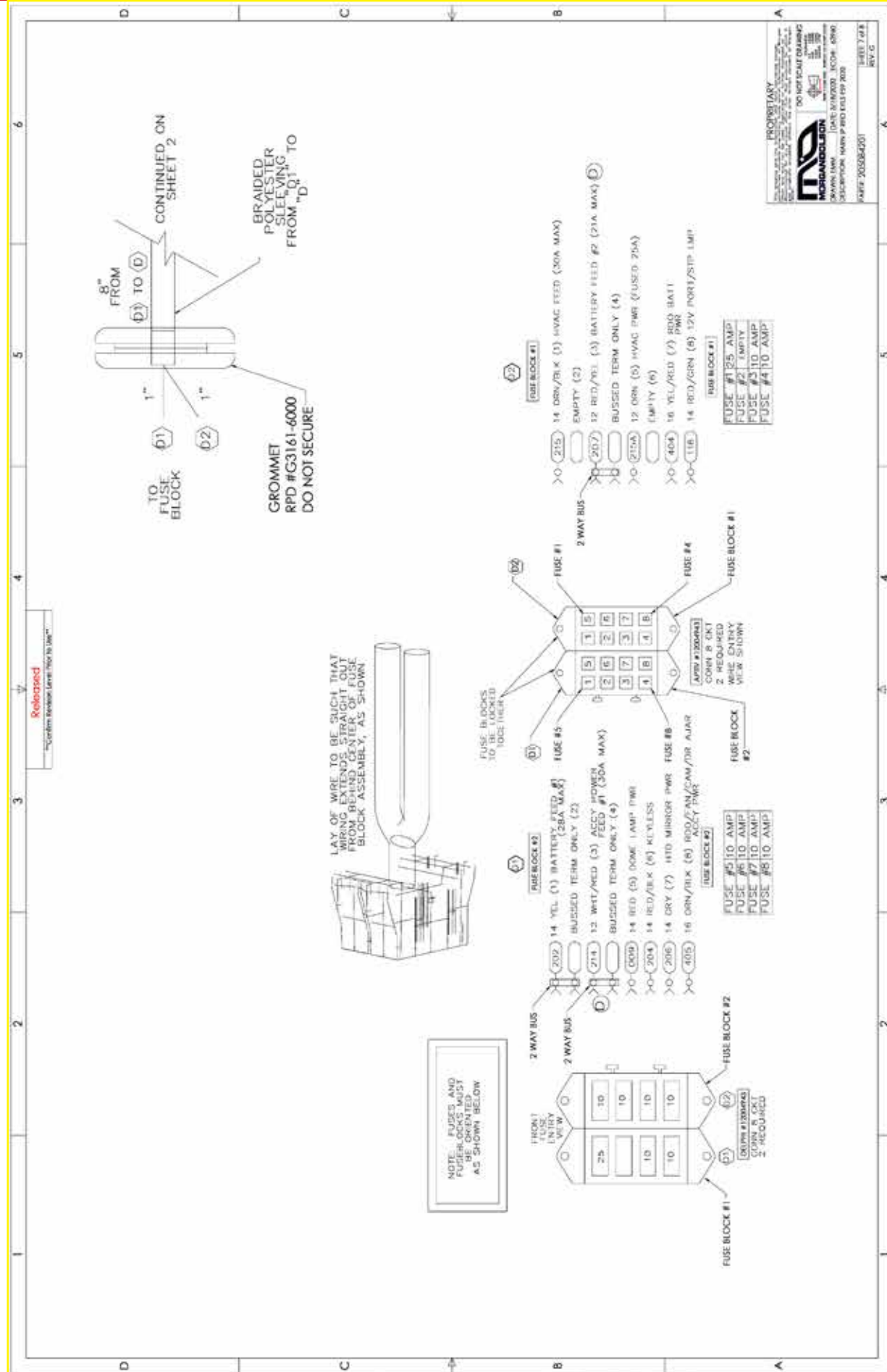


1	DATE	BY	REV
2	DESCRIPTION		
3	REVISIONS		
4	APPROVED		
5	DATE		
6	BY		
7	DESCRIPTION		
8	DATE		
9	BY		
10	DESCRIPTION		
11	DATE		
12	BY		
13	DESCRIPTION		
14	DATE		
15	BY		
16	DESCRIPTION		
17	DATE		
18	BY		
19	DESCRIPTION		
20	DATE		
21	BY		
22	DESCRIPTION		
23	DATE		
24	BY		
25	DESCRIPTION		
26	DATE		
27	BY		
28	DESCRIPTION		
29	DATE		
30	BY		
31	DESCRIPTION		
32	DATE		
33	BY		
34	DESCRIPTION		
35	DATE		
36	BY		
37	DESCRIPTION		
38	DATE		
39	BY		
40	DESCRIPTION		
41	DATE		
42	BY		
43	DESCRIPTION		
44	DATE		
45	BY		
46	DESCRIPTION		
47	DATE		
48	BY		
49	DESCRIPTION		
50	DATE		
51	BY		
52	DESCRIPTION		
53	DATE		
54	BY		
55	DESCRIPTION		
56	DATE		
57	BY		
58	DESCRIPTION		
59	DATE		
60	BY		
61	DESCRIPTION		
62	DATE		
63	BY		
64	DESCRIPTION		
65	DATE		
66	BY		
67	DESCRIPTION		
68	DATE		
69	BY		
70	DESCRIPTION		
71	DATE		
72	BY		
73	DESCRIPTION		
74	DATE		
75	BY		
76	DESCRIPTION		
77	DATE		
78	BY		
79	DESCRIPTION		
80	DATE		
81	BY		
82	DESCRIPTION		
83	DATE		
84	BY		
85	DESCRIPTION		
86	DATE		
87	BY		
88	DESCRIPTION		
89	DATE		
90	BY		
91	DESCRIPTION		
92	DATE		
93	BY		
94	DESCRIPTION		
95	DATE		
96	BY		
97	DESCRIPTION		
98	DATE		
99	BY		
100	DESCRIPTION		









CIRCUIT	DESCRIPTION	END POINT	FUNCTION
000	12, 14, 18 WHIT	B1, B2, B3, E1, E3, SPICE 1, F2, F3, J1, M2, M3, S1, S2, S3, S4, T1, T2, U2, U3	GROUND
001	16/18 BRN	A1, G3	CAM LAMPS
002	14 GRN	B1, G3	RH TURN
003	14 YEL	B1, G3	LH TURN
004	16 PNK	B1, B2, G3	BACK UP SIGNAL
005	14 RED	B1, G3	STOP ONLY
006	16 TAN	B1, G1	CAS DM LAMP
007	16 ORN	B1, P2	EOAD DOME LP
008	14, 18 BLU	F2, GAN, F1, P2	PANEL LAMPS
009	14 RED	D1, G1, P2	DOME PWR
100	18 WHI/BLK	F1, P3	HID MR GND SWFD
101	18 WHI/RED	G1, P1	CAS DM LAMP SWD
102	14 YEL	E3, E3, SPICE 2	WIPER POWER
104	14 BLK	A1, SPICE 2	WIPER PARK B+
106	16 GRN/WHI	A1, F3	WFR HIGH
107	16 RED/WHI	A1, F3	WFR PK SW
109	16 ORN	A1, F3	WFR PK SW
111	16 PNK/BLK	F3, T1	WASHER PUMP
116	16 RED/GRN	D2, G2, J1	BATTERY
200	12 WHI/GRN	E2, SPICE 1, L1	HTR GND
202	12 YEL	D1, E1	BATTERY (28A MAX)
204	16 RED/BLK	B1, D1, U2	BATTERY
206	14 GRN	F1, D1	HID MRK PWR
207	12 RED/YEL	D2, E1	BATTERY (21A MAX)
212	14, 18 PPL	B3, F1, F3, U3	HID MR TMR OUT
214	12 WHI/RED	D1, E1	ACCY FEED #2
215	12 ORN/BLK	D2, E1	HVAC FEED
215A	12 ORN	D2, L1	HVAC FEED (BUSS)
304	16 YEL/BLK	A2, S2	FAN LOW
305	16 GRN/BLK	A2, S2	FAN HIGH