



Mission Linen

2023 Parts Catalog

JV004311 E-450

(10 Units)



2023 Morgan Olson Body
2023 FORD E-450 Chassis

VIN Numbers
1FC4E4KN3RDD06974 to
1FC4E4KN1RDD16550



Published 10.2023
www.morganolsonparts.com



TABLE OF CONTENTS	2
INTRODUCTION	3
CAB & ENGINE BOX	4-5
HOOD	6-7
WINDSHIELD, FRAME & WIPER COVER	8
STEPS	9
HEATER	10-11
INSTRUMENT PANEL	12
SEATS	13
FLOOR	14
ROOF	15
SIDES	16-17
BACK	18
BULKHEAD	19
SIDE DOOR	20
SIDE DOOR POCKET	21
ROLL UP WINDOW	22-23
REAR DOOR (ROLL UP DOOR)	24-25
SIDE DOORS (ROLL UP DOORS)	26-27
CARGO CONTROL	28-29
PIPE RACK	30
BUMPERS	31
MIRRORS	32-33
WINDSHIELD WIPERS	34
TOOL BOX ASSEMBLY	35
MISCELLANEOUS	36-37
ELECTRICAL	38-39
COMMON WALK-IN VAN FASTENERS	40-44
WIRING HARNESS	45
WIRING DIAGRAMS	46-77

This parts guide contains illustrations and part numbers for Medline Delivery Vehicles on FORD E-450 and applies to bill of material JV004311 produced in 2023.

How to order parts from Morgan Olson.

The first step is to locate the part numbers you would like to order.

Method 1 (Recommended)

Go to our parts web site, WWW.MORGANOLSONPARTS.COM and search your vehicle VIN number to get a list of parts generated directly from your vehicles Bill of Material.

You can filter the list of items further by selecting the category for the location of the parts. IE. Bumper, Hood, Glass, Rear Door, etc.

You may change the search drop down menu to search by part number, description, unit number or VMRS number.

Method 2

Use this parts catalog to identify your part numbers.

Then go to WWW.MORGANOLSONPARTS.COM and search by part number to get pricing availability, add the items to your shopping cart.

Method 3

Call our Parts Department at 1-800-233-4823.

Please have your VIN number available and one of our customer service representatives will be able to help you identify the parts you need.

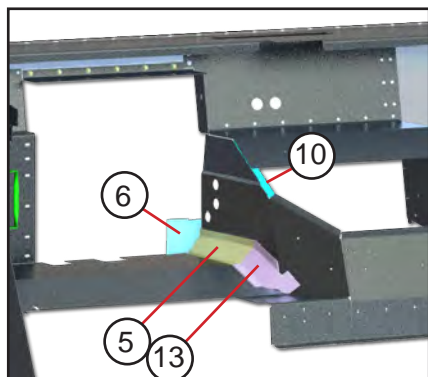
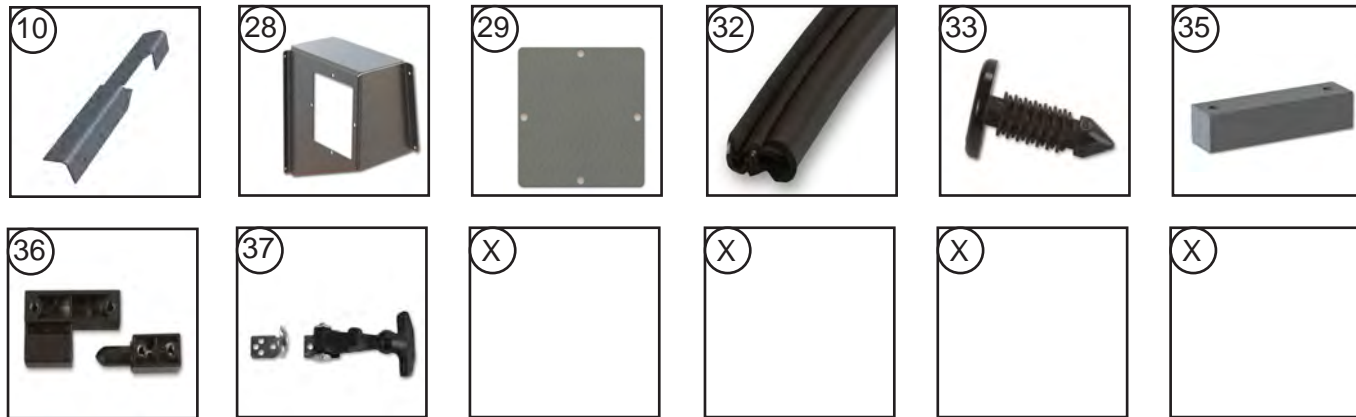
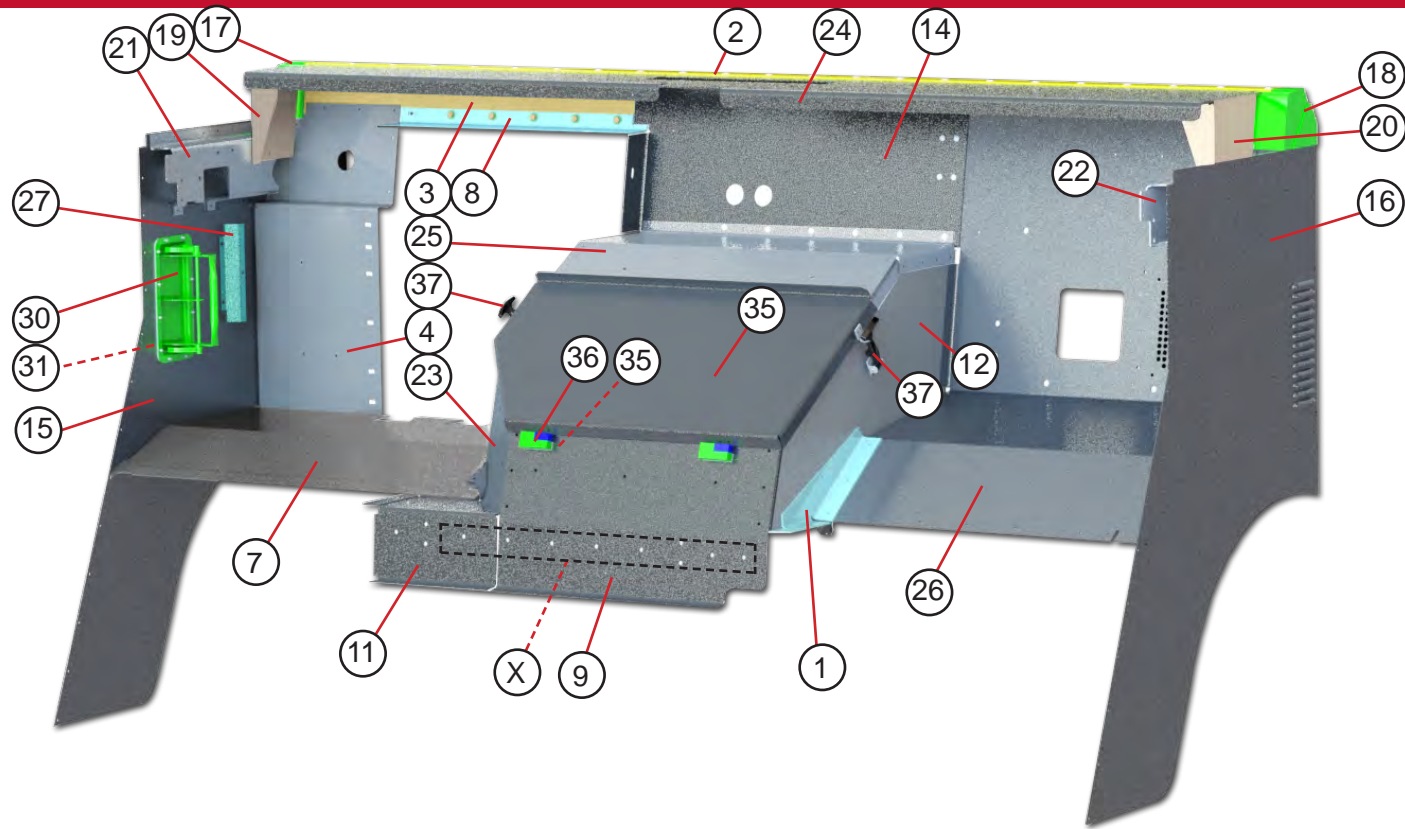
*If you already know the part numbers for the items you want to order, use our Quick Order page to enter your part numbers and quantities, then click add to cart.

[HTTPS://WWW.MORGANOLSONPARTS.COM/QUICK-ORDER](https://www.morganolsonparts.com/quick-order)

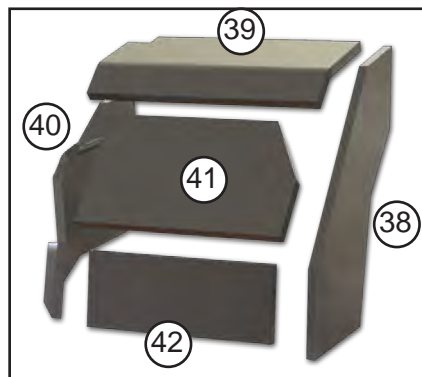
FOR WARRANTY INFORMATION CALL 1-800-262-3437

ANY QUESTIONS OR CONCERNS SHOULD BE DIRECTED TO YOUR SERVICE PARTS REPRESENTATIVE AT
1-800-233-4823

At Morgan Olson, our quest for quality and safety is ongoing and therefore the specifications on the product described herein may vary over time.
Please contact Morgan Olson for the latest product information and available safety features and options.

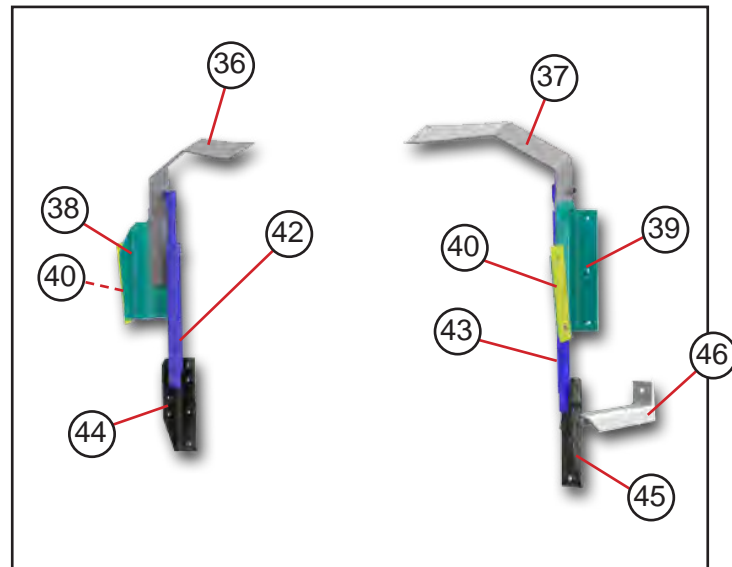
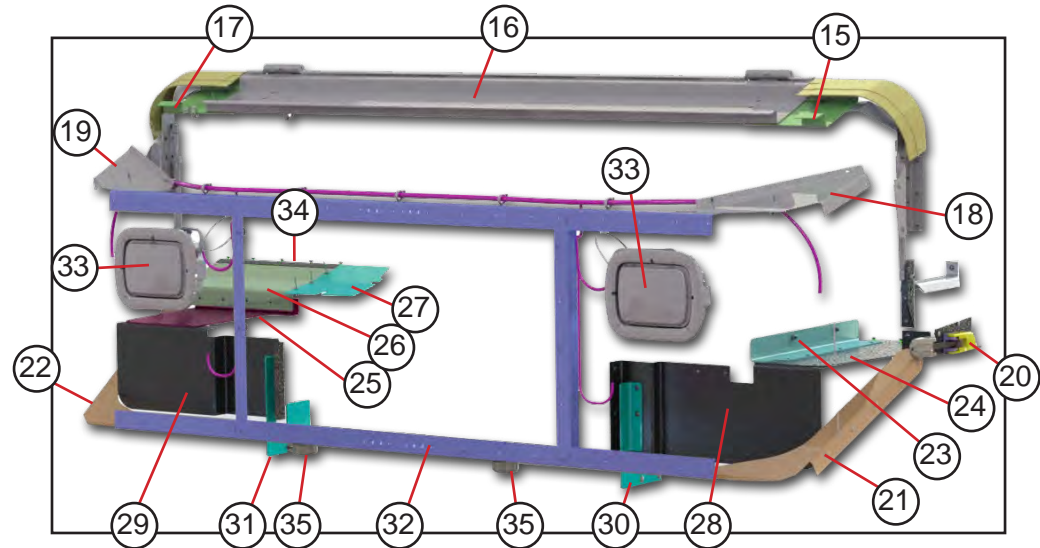
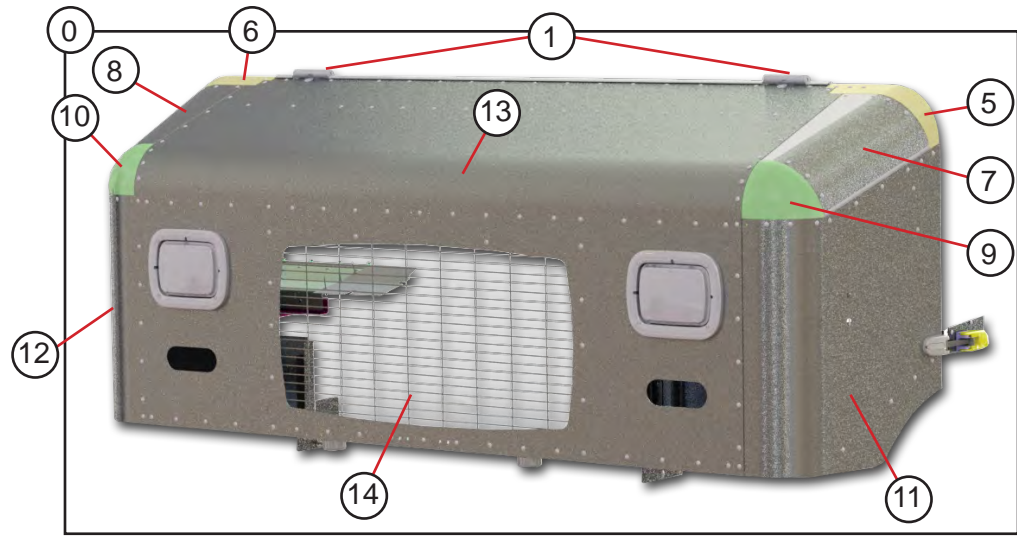


Engine Box LH View

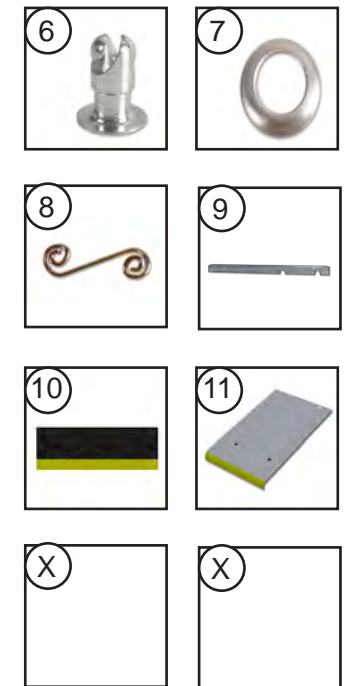
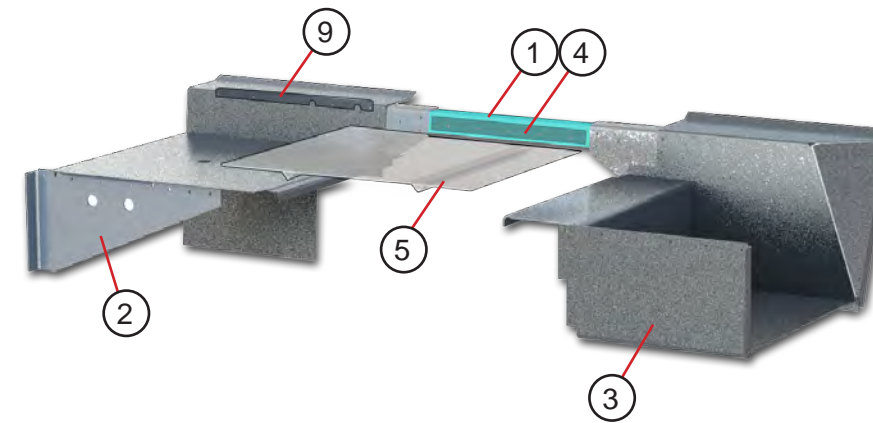
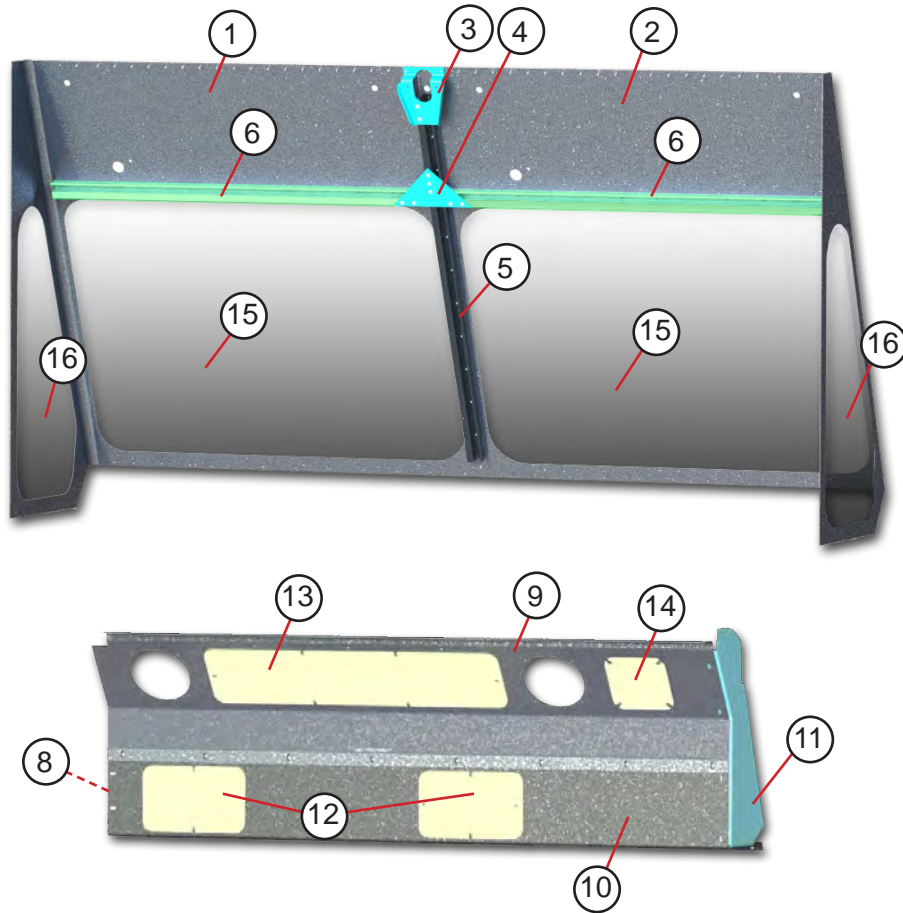


Engine Box Insulation

ITEM #	PART #	DESCRIPTION	QTY	UNIT
1	077050406	Gusset Toeboard AL .125X5.23X14.88 RH	1	EA
2	083023402	Rail Windshield 93W AL 851100X89	1	EA
3	095005431	Dash Wall Upper AL .102X7.36X36.26 LH	1	EA
4	095005435	Dash Wall Outer AL .102X13.64X28.36	1	EA
5	115005450	Adaptor Engine Box AL .102X4.59X13.14	1	EA
6	115005452	Closure Cab AL .07X5.01X5.05	1	EA
7	115005453	Toeboard AL .125X21.01X36.54 LH	1	EA
8	155005409	Upper Dash Wall Reinforcement AL .125X4.57X23.75 LH	1	EA
9	155005411	Enging Box Saddle AL .102X15.61X23.8	1	EA
10	155005415	Engine Box Upper AL .102X2.59X11.82	1	EA
11	155005416	Filler Engine Box Saddle AL .102X12.8X13.78	1	EA
12	155005418	Engine Box Panel AL .125X21.52X29.91 RH	1	EA
13	155005419	Engine Box Adaptor Rear AL .102X4.72X9.82	1	EA
14	165005410	Dash Wall Center AL .102X14.85X31.69	1	EA
15	225005403	Cab Skirt AL .07X40.6X45.91 LH	1	EA
16	225005404	Cab Skirt AL .07X40.6X45.91 RH Louvered	1	EA
17	8502000	Corner AL Casting W/S LH	1	EA
18	8502001	Corner AL Casting W/S RH	1	EA
19	177005411	Support Rail W/S AL .102X8.26X9.65 LH	1	EA
20	177005412	Support Rail W/S AL .102X8.26X9.65 RH	1	EA
21	217005416	Stiffener W/S AL .125X10.93X17.81 LH	1	EA
22	217005417	Stiffener W/S AL .125X10.93X17.81 RH	1	EA
23	205005408	Engine Box AL .102X19.94X29.41 LH	1	EA
24	217005435	Dash Shelf AL .102X13.77X89	1	EA
25	217005436	Engine Box Top AL .102X15.66X30.49	1	EA
26	217005440	Toeboard AL .125X32.45X47.47 RH	1	EA
27	217005443	Cab Wiring Guard AL .07X2.44X8	2	EA
28	217005434	Bracket - Fresh Air Intake AL .102X18.8X22.92	1	EA
29	217005437	Cover Plate - Air Intake AL .102X6.88X7.63	1	EA
30	47008545	Vent 2-Way Hingeless	1	EA
31	47008548	Gasket for Vent	1	EA
32	1107270	Seal - Quick Edge - Engine Box	8	FT
33	47006630	Clip Black Plastic - Round Head 1.32-1.34	17	EA
34	105028400	Lid - Engine Box AL .102X18.6X32.44	1	EA
35	117028400	Shim - Engine Box Hinge	2	EA
36	47007859	Hinge Offset - Engine Box Lid	2	EA
37	1113336	Latch - Engine Box	2	EA
38	195005412	Insulation Engine Box 42002056X17.56X27.46RH	1	EA
39	195005413	Insulation Engine Box 42002056X12.18X28.34	1	EA
40	195005414	Insulation Engine Box 42002056X17.44X27.32LH	1	EA
41	195005415	Insulation Engine Box 42002056X12X25	1	EA
42	195005416	Insulation Engine Box Saddle 42002056X7X21.50	1	EA

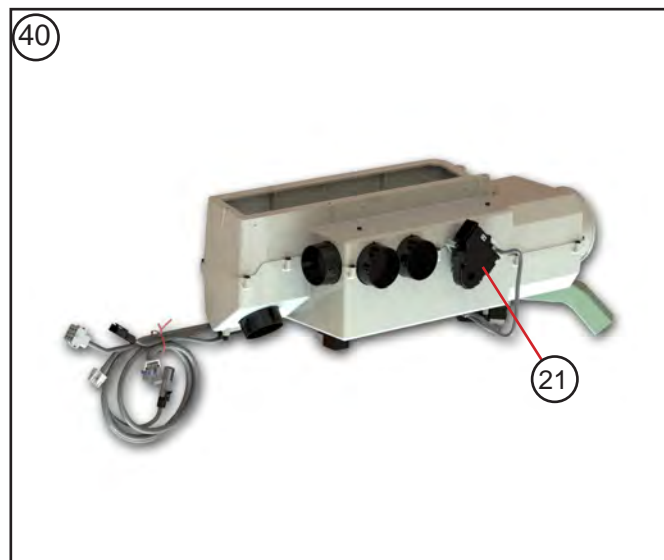
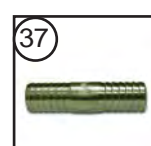
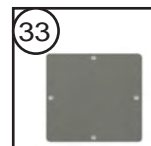
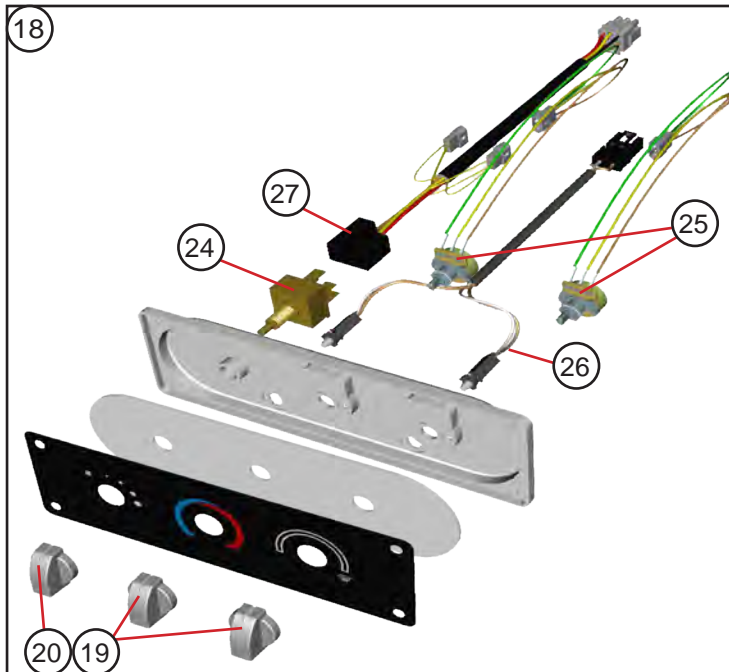
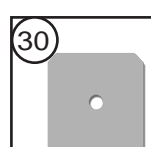
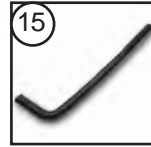
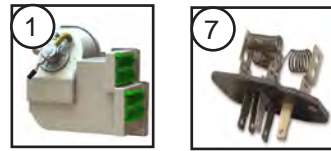
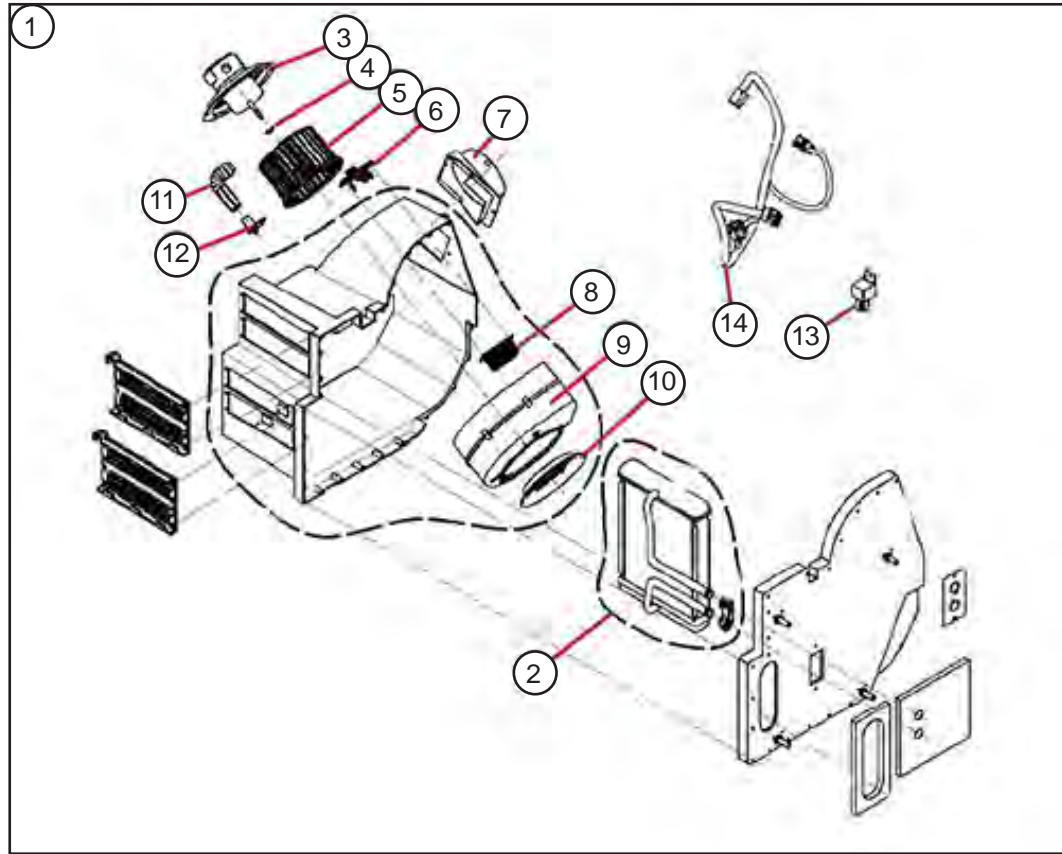


Item #	Part #	Description	Qty	Unit
0	217017003	Hood Installation	1	EA
1	47007852	Hinge Assembly Complete	2	EA
2	91617304	Tap Plate - Hinge AL .188X2X2.69	2	EA
3	96717312	Shim Hood AL .055X.63X1.88	2	EA
4	237017402	Shim - Hood Hinge AL .125X1.75X4.63	2	EA
5	45100060	Cap AL Cowl End Aft LH	1	EA
6	45100061	Cap AL Cowl End Aft RH	1	EA
7	167017425	Cowl Hood AL .07X15.22X17.47 LH	1	EA
8	167017426	Cowl Hood AL .07X15.22X17.47 RH	1	EA
9	45100057	Corner Casting Knee Cowl Front AL LH	1	EA
10	45100058	Corner Casting Knee Cowl Front AL RH	1	EA
11	167017427	Skirt Hood AL .07X27.99X29.9 LH	1	EA
12	167017428	Skirt Hood AL .07X27.99X29.9 RH	1	EA
13	167017400	Panel Hood 93W AL .07X48.92X74	1	EA
14	45700101	Grill Wire Mesh 20.5X38.81	1	EA
15	167017432	Stiffener Hood Angle AL .102X10.98X12 RH	1	EA
16	167017413	Stiffener Hood AL 450015X68.62	1	EA
17	167017431	Stiffener Hood Angle AL .102X10.98X12 LH	1	EA
18	167017402	Gusset Corner AL .07X13.43X14.73 LH	1	EA
19	167017403	Gusset Corner AL .07X13.43X14.73 RH	1	EA
20	47000614	Latch Hood	2	EA
21	167017433	Stiffener Hood AL .102X15.93X22.83 LH	1	EA
22	167017434	Stiffener Hood AL .102X15.93X22.83 RH	1	EA
23	217026407	Splash Pan AL .102X4.76X20 LH	1	EA
24	217026401	Splash Pan AL .125X15.27X21.99 LH	1	EA
25	217026402	Splash Pan AL .125X14.03X16.32 RH	1	EA
26	217026405	Splash Pan AL .125X9.56X19.2 RH	1	EA
27	217026406	Splash Pan Vinyl 45200014X8.8X9.59 RH	1	EA
28	217026403	Splash Pan Front AL .07X11.25X23.77 LH	1	EA
29	217026404	Splash Pan Front AL .07X10.63X24.01 RH	1	EA
30	225026406	Angle Mounting Splash Shield AL .125X7X10 LH	1	EA
31	225026407	Angle Mounting Splash Shield AL .125X7X10 RH	1	EA
32	217017201	Support Assembly Grill 93W E350/E450 Welded	1	EA
33	46000213	Headlamp Assembly	2	EA
34	113026402	Adaptor Splash Pan AL .125X3.17X16.65 RH	1	EA
35	44002004	Bumper Rubber Hood Rest	2	EA
36	095016402	Bracket Gas Spring AL .125X6.41X16.41	1	EA
37	095016401	Bracket Gas Spring AL .125X6.41X16.41	1	EA
38	077160401	Bracket Hood AL .125X6.76X7.75 RH	1	EA
39	077160400	Bracket Hood AL .125X6.76X7.75 LH	1	EA
40	083016400	Shim AL .102X1X5.5	2	EA
41	47006086	Ball Stud 13MM .31-18	4	EA
42	47006105	Gas Spring Locking 110LB 20/12	1	EA
43	47006106	Gas Spring Non - Locking 110LB 20/12	1	EA
44	077160405	Bracket Lower Hood AL .188X2.84X6.34 LH	1	EA
45	077160406	Bracket Lower Hood AL .188X2.84X6.34 RH	1	EA
46	095016403	Cab Skirt Support AL .125X3.38X11.18	1	EA
47	47006630	Clip Plastic Round Head 1.32-1.34	4	EA
48	46026311	Clamp Tyclamp #10 1.75 BUND 7.5L	4	EA
49	227017400	Bracket Reinforcement @ Hood Hinge Steel 11GAX1.5X4.06	2	EA
50	175015400	Bracket Hood Rest Steel 7GAX9X28.53	1	EA
NS	205085201	Harness Hood LED E-SERIES	1	EA



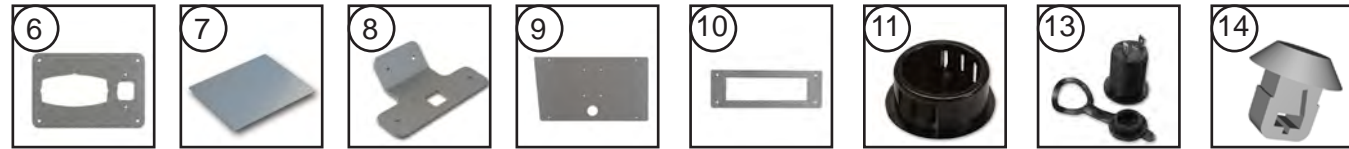
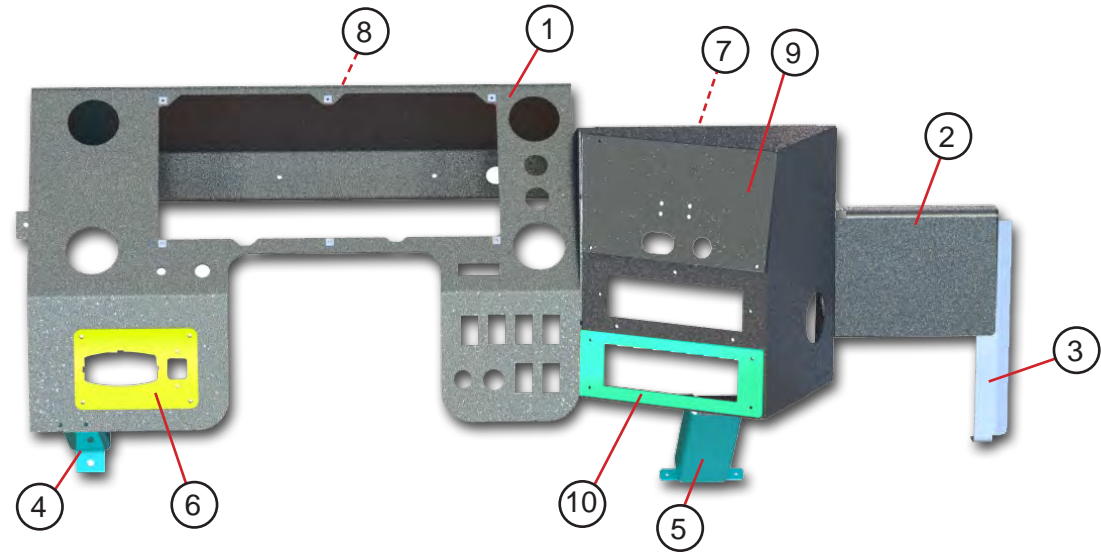
Item #	Part #	Description	Qty	Unit
1	177055400	Frame Windshield AL .102X53.45X69.93 LH	1	EA
2	177055401	Frame Windshield AL .102X53.45X70.25 RH	1	EA
3	077055402	Gusset Frame W/S AL .125X6.49X7.27	1	EA
4	998555329	Gusset Frame W/S AL .125X4.6X9.19	1	EA
5	077055401	Post Center - Windshield AL 450540X44	1	EA
6	077055404	Stiffener Windshield AL 450540X44.25	2	EA
7	47006610	Clip Plastic - Flat Head .45HEADX.64	2	EA
8	088076449	Bracket Mounting AL .102X2.36X3.9 LH	1	EA
9	097076488	Cover Motor Wiper AL .102X15.08X59.84	1	EA
10	097076476	Shelf Lower AL .102X17.58X59.84	1	EA
11	097076461	Wiper Cover End Panel AL .102X14.2X20.79	1	EA
12	097076436	Plate - Access Cover AL .07X6X10	2	EA
13	097076435	Plate Access Cover AL .07X6X28.38	1	EA
14	097076437	Plate Access Cover AL .07X5.75X5.75	1	EA
15	96756400	Windshield Front	2	EA
16	006756400	Side Window Triangle Glass	2	EA
17	44004303	Weather Strip Gasket Front X147.5"	2	EA
18	44004309	Weather Strip Gasket Side X86.25	2	EA

Item #	Part #	Description	Qty	Unit
1	077240400	Crossmember Center AL 456106X41	1	EA
2	105024207	Step Assembly DLH 93W	1	EA
3	115024208	Step Assembly RH 93W	1	EA
4	077050402	Shim AL .25X1.63X20.8	1	EA
5	115024207	Floor Transverse Welded Assembly	1	EA
6	40900080	Stud	7	EA
7	40900081	Grommet Half	7	EA
8	40900082	Spring	7	EA
9	083019403	Trim - Toeboard LH	1	EA
10	45200345	Plate Step Fiberglass Anti-Slip .125X13.84X25.13	1	EA
11	45400512	Overlay Fiberglass 26X39.37X.125	1	EA



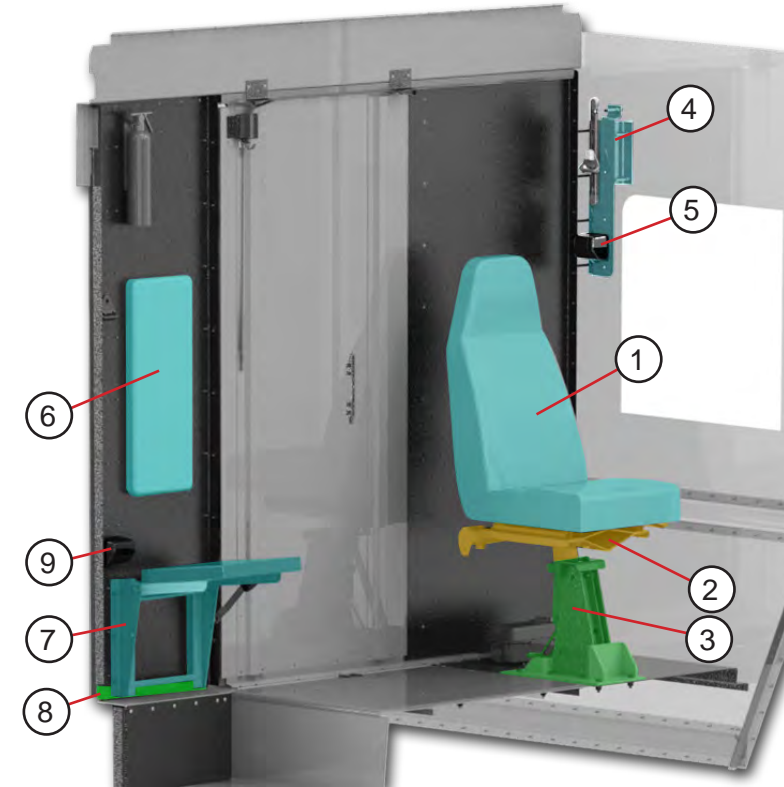
ITEM #	PART #	DESCRIPTION	QTY	UNIT
1	555001018	HEATER ASSEMBLY	1	EA
2	47008797	HEATER COIL W/GASKET	1	EA
3	46032339	BLOWER MOTOR	1	EA
4	47008799	CLIP	1	EA
5	47008769	BLOWER WHEEL	1	EA
6	47008357	RESISTER	1	EA
7	47008800	HOSE ADAPTER	1	EA
8	47008795	RESISTER CAGE	1	EA
9	47008794	BLOWER HOUSING	1	EA
10	47008796	VENTURI RING	1	EA
11	47008730	VENT TUBE	1	EA
12	47008731	VENT TUBE ADAPTER	1	EA
13	47008716	RELAY	1	EA
14	47008758	HARNESS	1	EA
15	47008690	FORMED HEATER HOSE 9.25"	2	EA
16	555002057	VALVE WATER	1	EA
17	215080400	BRACKET WATER VALVE	1	EA
18	555001413	CONTROL PANEL ASSEMBLY	1	EA
19	47008706	KNOB	2	EA
20	47008735	KNOB	1	EA
21	47008705	ACTUATOR MOTOR	1	EA
24	46023202	BLOWER SWITCH	1	EA
25	47008710	POTENTIOMETER SWITCH	2	EA
26	47008711	HARNESS ILLUMINATION W/BULBS	1	EA
27	47008712	HARNESS BLOWER MOTOR SWITCH	1	EA
28	555001723	DEFROST DUCT CURBSIDE METAL	1	EA
29	555001724	DEFROST DUCT ROADSIDE METAL	1	EA
30	093080400	HOLD DOWN PLATE DEFROSTER DUCTS	4	EA
31	555001523	HOSE DEFROSTER 2.5X16	1	EA
31	555001524	HOSE DEFROSTER 2.5X30	1	EA
31	555001525	HOSE DEFROSTER 2.5X38	3	EA
31	555001526	HOSE DEFROSTER 2.5X25	1	EA
32	217005434	BRACKET - FRESH AIR INTAKE	1	EA
33	217005437	COVER PLATE - FRESH AIR INTAKE	1	EA
34	555001715	LOUVER BALL	6	EA
35	200027500	BRACKET HEATER VENT	1	EA
36	555001533	HOSE BLOWER HEATER / DEFROSTER 7.5"	1	EA
37	47008016	CONNECTOR STRAIGHT .62ID	2	EA
38	090080401	DUCT - FOOT DUMP	1	EA
39	005780402	BRACKET - FOOT DUMP MOUNTING	1	EA
40	555001329	PLENUM DUCT HVAC	1	EA

Instrument Panel

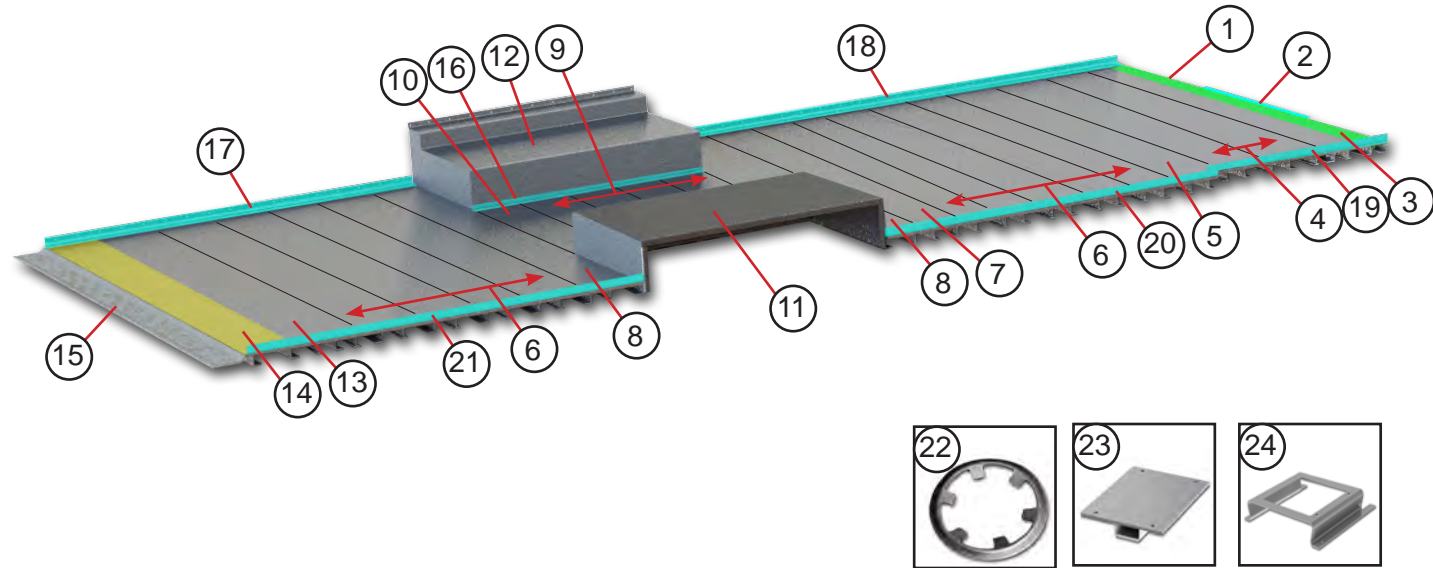


Item #	Part #	Description	Qty	Unit
1	235027202	Instrument Panel Weldment E-Series	1	EA
2	125027416	Bracket Mounting AL .102X7.74X10.14	1	EA
3	093027402	Bracket Stiffener AL .125X1.91X12.66	1	EA
4	095027412	Brace I/P AL .102X3.43X18.39 LH	1	EA
5	215027409	Bracket I/P AL .102X4.32X10.55	1	EA
6	205027405	Plate Lite-Switch AL .102X4X6	1	EA
7	218027400	Plate Access Cover - Radio AL .102X9X11	1	EA
8	187027412	Angle Mounting Sensor AL.07X3.96X6.63	1	EA
9	198027403	I/P Panel DSP AL .102X5.74X10.3	1	EA
10	168027434	I/P Panel AL .102X5.74X10.31	1	EA
11	1111513	Hole Plug Black - Round	2	EA
12	46023506	Hole Plug Black - Switch	2	EA
13	46026378	Power Receptacle 12VDC W/Tether	1	EA
14	46026364	Tie Wrap Mount - Push In	4	EA

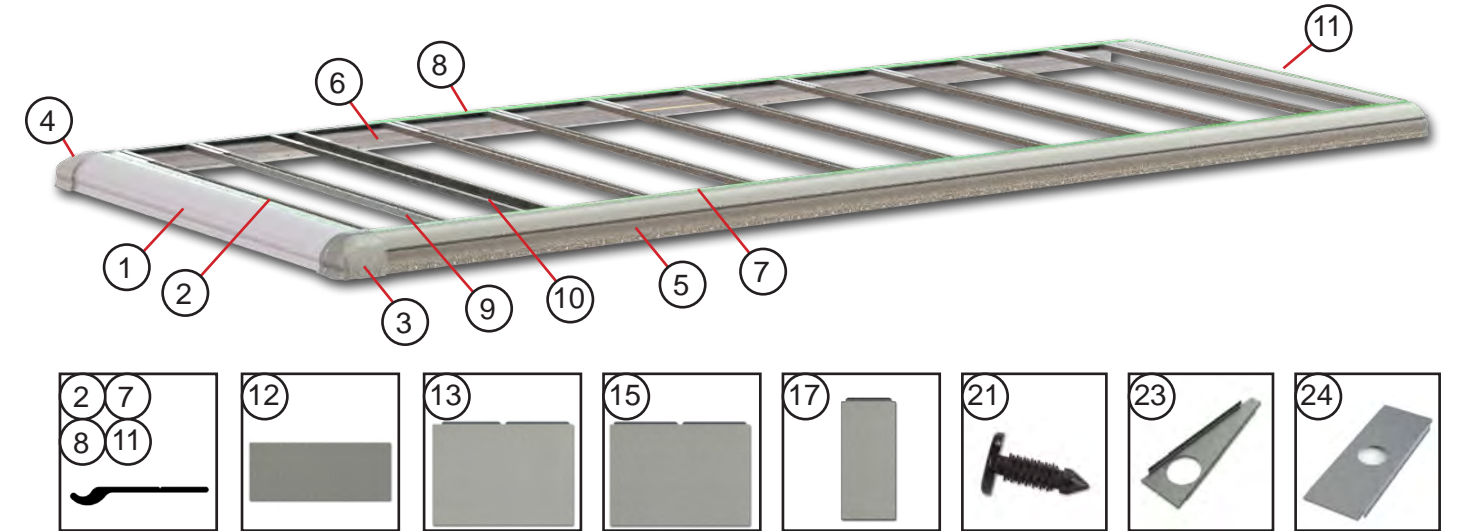
Seats



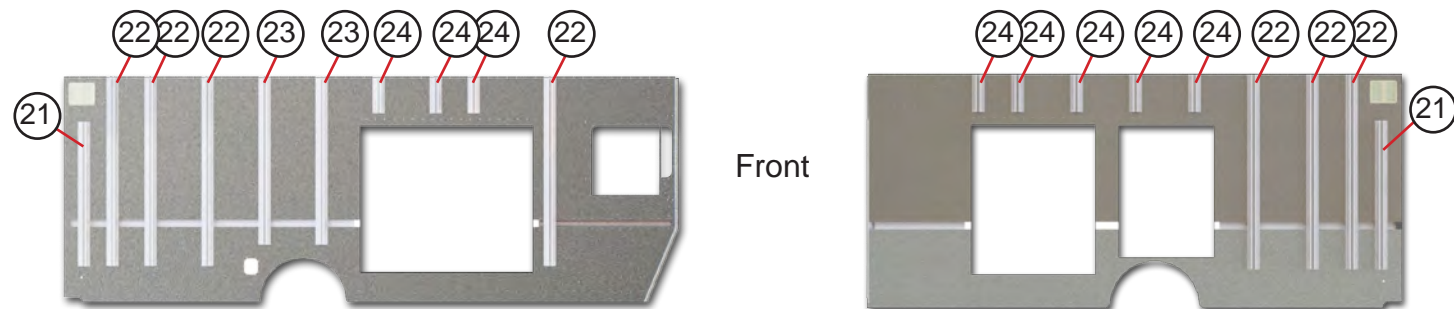
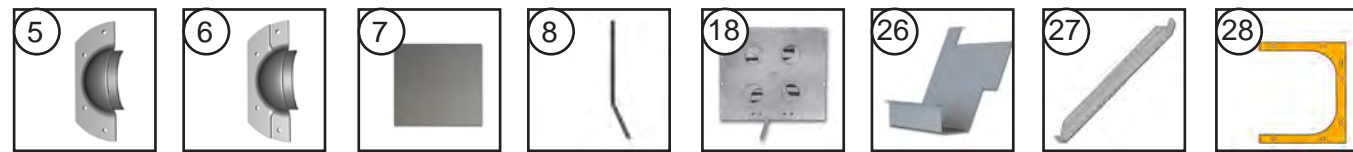
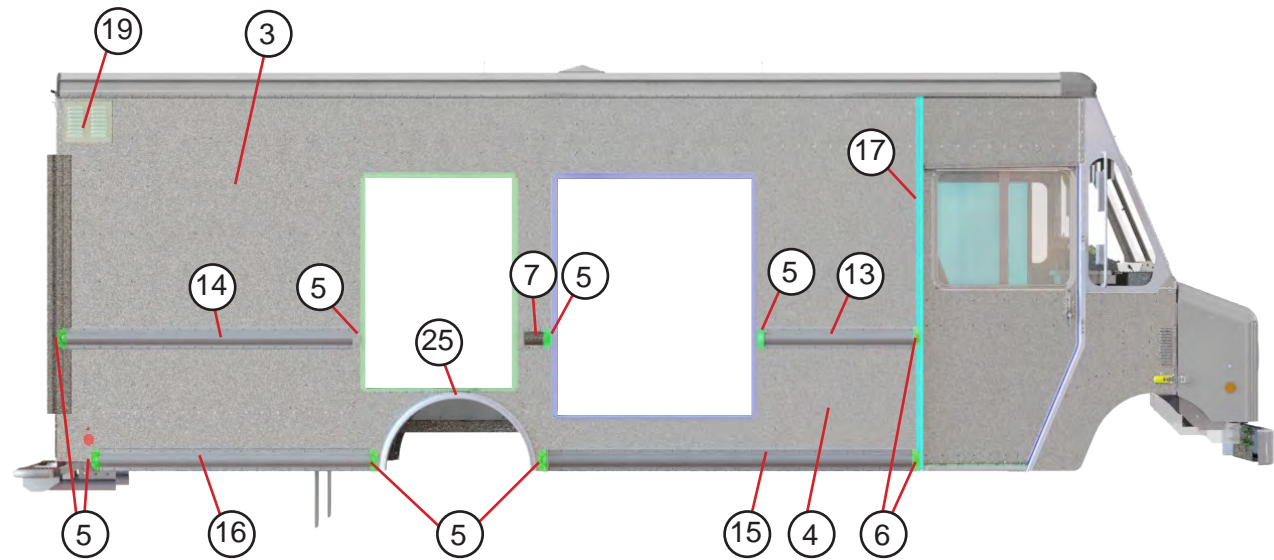
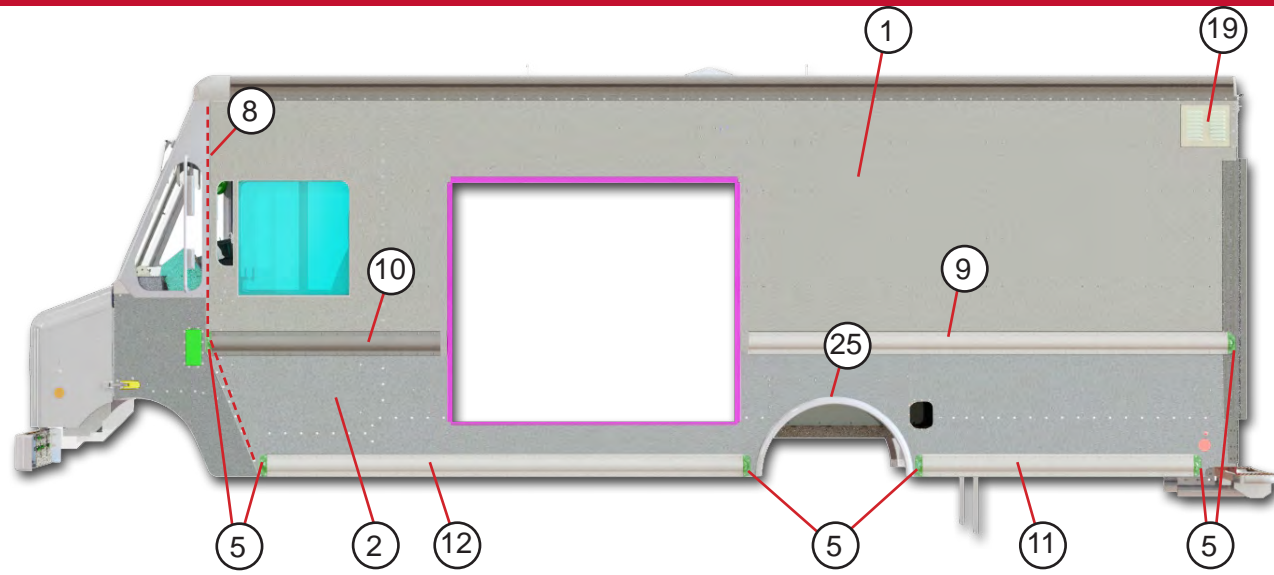
Item #	Part #	Description	Qty	Unit
1	47004971	Driver Seat Black Vinyl Lumbar	1	EA
2	47004332	Pedestal Seat Upper 3 Point	1	EA
3	47012658	Seat Socket Assembly 3 Point Non-Tilt	1	EA
4	98M582030	Brace Support Steel 7GA X9.49 X23.46	1	EA
5	48007902	Seat Belt 3 Point W/ 7" D-Loop Orange	1	EA
6	47002704	Seat Head/Back Rest Black Vinyl	1	EA
7	47004973	Jumpseat Folding Black Vinyl	1	EA
8	91614300	Angle Floor Reinforcement AL .188X2.84X19.1	1	EA
9	47004366	Seat Belt W/Boot Bulkhead Mounted 3 Point Orange	1	EA
10	133069400	Stiffener Jump Seat Zee AL 450039X72.12	1	EA
11	083069404	Stiffener Jumpseat Hat AL 450043X72.12	1	EA



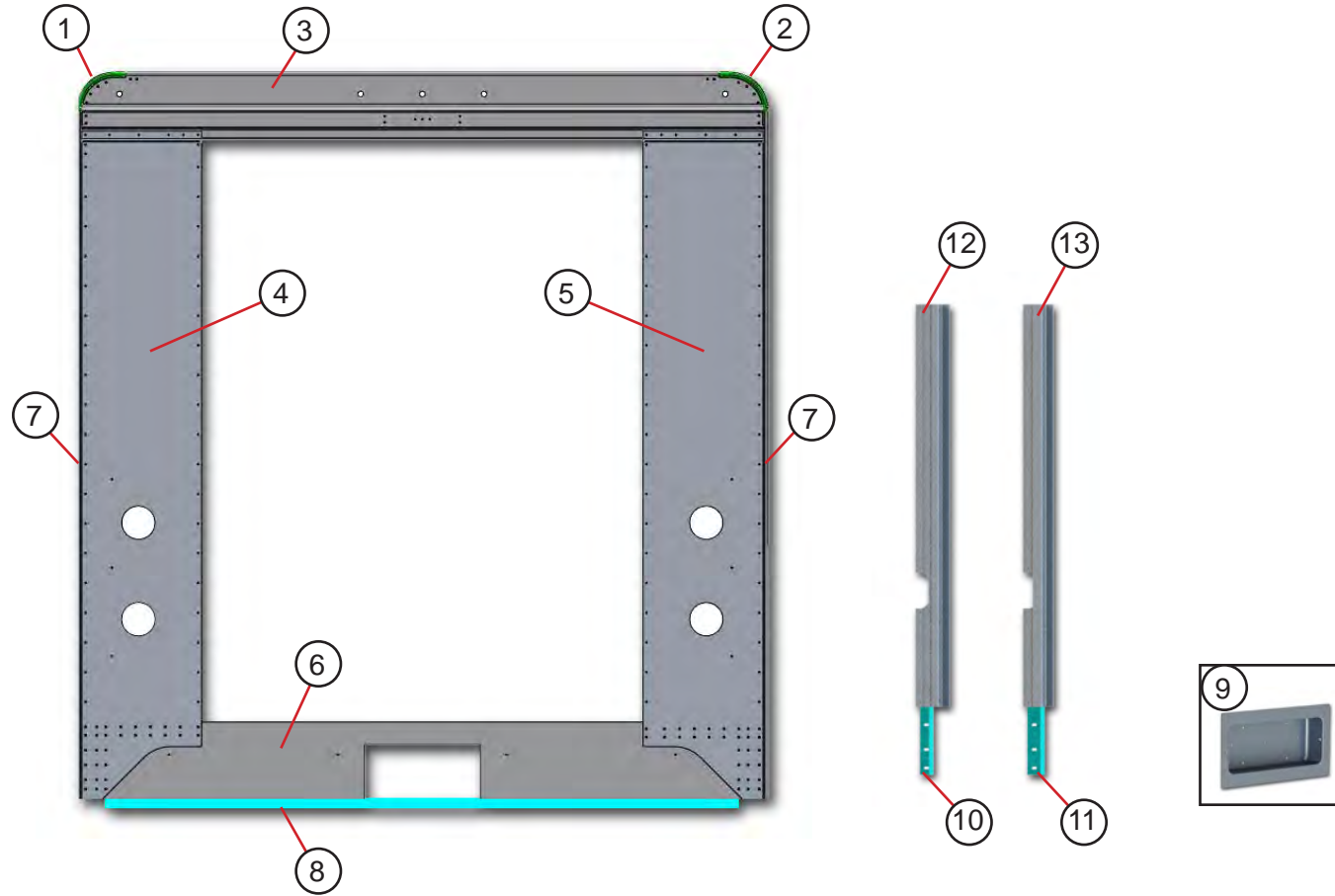
Item #	Part #	Description	Qty	Unit
1	220031408	Beam @ O-Line AL 450408X89.25 DLH	1	EA
2	003330525	Angle Step AL 450187X34	1	EA
3	220031412	Beam Floor 7" SM AL 450510X89.25	1	EA
4	220031415	Beam Floor 9" SM AL 450401X89.25	2	EA
5	220031416	Beam Floor 9" SM AL 450401X92.25	1	EA
6	220031400	Beam Floor 9" SM AL 450401X92.25	9	EA
7	220031401	Beam Floor 8" SM AL 450402X92.25	1	EA
8	220031402	Beam Floor 8.5" SM AL 450405X92.25	2	EA
9	220031411	Beam Floor 9" SM AL 450401X40.44	4	EA
10	220031409	Beam Floor 8" SM AL 450407X40.44	1	EA
11	135032201	Wheel Box Assembly 7" 93W DW AL .102 RSF/RSK	1	EA
12	135032202	Wheel Box Assembly 7" 93W DW AL .102	1	EA
13	220031403	Beam Floor 7" SM AL 450510X92.25	1	EA
14	095033436	Plate Filler Rear AL .125X8.45X92.38	1	EA
15	215031407	Drop Sill Floor AL 450592X92.69	1	EA
16	95869302	Angle Wheel Box Attach AL 450018X44	2	EA
17	215031527	Angle Floor/Side AL 450303X67.93 LH	1	EA
18	220031445	Angle Floor/Side AL 450303X100 LH	1	EA
19	215031500	Angle Floor/Side AL 450303X36.25 RH	1	EA
20	215031524	Angle Floor/Side AL 450303X63.75 RH	1	EA
21	215031528	Angle Floor/Side AL 450303X67.93 RH	1	EA
22	40900924	Ring Retainer Black .380D	3	EA
23	095032209	Access Door Assembly	1	EA
24	125012400	Support - Access Door	1	EA



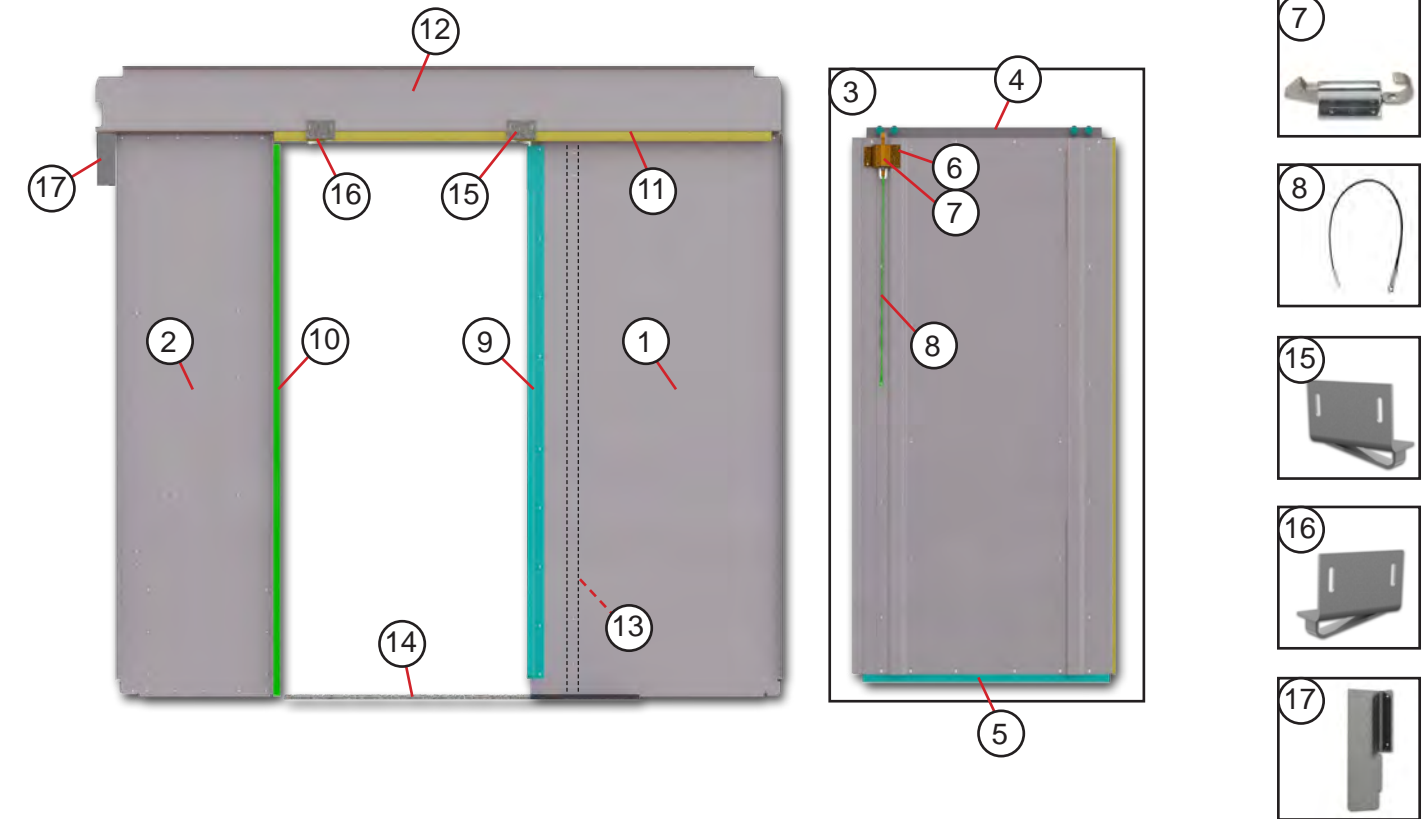
Item #	Part #	Description	Qty	Unit
1	083010400	Roof Nose 93W AL 456107X82.5	1	EA
2	89310506	Interlock - Roof Nose AL 45014X81.75'	1	EA
3	077100400	Corner Casting Roof LH	1	EA
4	077100401	Corner Casting Roof RH	1	EA
5	098010453	Roof Rail 17'4" 456144X253.25 LH	1	EA
6	098010454	Roof Rail 17'4" 456144X253.25 RH	1	EA
7	088010552	Interlock Roof Rail AL 450140X253.25 LH	1	EA
8	088010553	Interlock Roof Rail AL 450140X253.25 RH	1	EA
9	45601603	Roof Bow Steel 16GA X89.12	11	EA
10	118010402	Roof Bow @ O-Line 14GA X9.58 X89.12	1	EA
11	89310507	Interlock Roof Rear AL 450140X79.13	1	EA
12	118011402	Liner Roof Cab Area 45210004 X37.13X86.75	1	EA
13	096011402	Liner Roof Embossed .023X38.65X49 LH (Shown)	1	EA
NS	096011403	Liner Roof Embossed .023X38.65X49 RH (opposite LH version)	1	EA
15	096011404	Liner Roof Embossed .023X38.65X49 LH (Shown)	2	EA
NS	096011405	Liner Roof Embossed .023X38.65X49 RH (opposite LH version)	2	EA
15	230011400	Liner Roof Embossed AL .023X16.75X38.51 LH (Shown)	1	EA
NS	230011401	Liner Roof Embossed AL .023X16.75X38.51 RH (opposite LH version)	1	EA
17	230011402	Liner Roof Embossed AL .023X38.4X49 LH	1	EA
NS	230011403	Liner Roof Embossed AL .023X38.4X49 RH (opposite LH version)	1	EA
NS	100011400	Polyester Filler @ Roof Liner 4200200 4X22.5	21	EA
NS	1109001	Insulation Fiberglass 1 X48 X200FT	45.67	FT
21	47006610	Clip Plastic Flat Head .45HEAD X.64	142	EA
NS	45200851	Roof Skin FBG .075 X 82'	21.313	FT
23	187092400	Bracket Dome Lamp Cab	1	EA
24	210092402	Bracket Dome Lamp Cargo	1	EA



Item #	Part #	Description	Qty	Unit
1	105046400	Side Panel Upper AL .102X60X258.31 DLH	1	EA
2	105045408	Side Panel Lower AL .102X32X258.31 DLH	1	EA
3	105038401	Side Panel Upper AL .102X60X217.31 RH	1	EA
4	105037400	Side Panel Lower AL .102X32X217.31 RH	1	EA
5	1100799	End Cap Rear AL Casting	12	EA
6	1100800	End Cap Forward AL Casting	2	EA
7	235038401	Plate Filler AL .125X2.5X2.95	2	EA
8	095044301	Door Post Assembly DLH 85H	2	EA
9	105039401	Rub Rail Aft AL 450002X120.26	1	EA
10	105039400	Rub Rail Forward AL 450002X56.82	1	EA
11	088039467	Rub Rail LWR RR AL 450002X68	1	EA
12	095039411	Rub Rail LWR FWD AL 450002X119.32	1	EA
13	105039402	Rub Rail AL 450002X37.25	1	EA
14	105039404	Rub Rail AL 450002X72.26	1	EA
15	088039469	Rub Rail LWR RR AL 450002X92	1	EA
16	088039467	Rub Rail LWR RR AL 450002X68	1	EA
17	095038406	B-Post AL 450274X94.18 RH	1	EA
18	1114124	Louvered Vent - Open/Close Baffle 10.5X12.25	2	EA
19	47008555	Louvered Vent - Exterior Plate 10.5X12.25	2	EA
NS	43000530	Label - Vent Open/Close	2	EA
21	113048400	Stiffener Side AL 450595X60.62	2	EA
22	093048412	Stiffener Side AL 450595X79.38	7	EA
23	093048415	Stiffener Side AL 450595X70.25	2	EA
24	105048400	Stiffener Side AL 450595X15.38"	7	EA
25	66104047	Fender Rubber @ Wheel Well Type B X71"	2	EA
26	235026400	Splash Pan - Fuel Fill AL .07X22.5X30.44	1	EA
27	001744400	Gusset Brace - Floor to Side	3	EA
28	998512001	Fuel Fill Reinforcement	1	EA

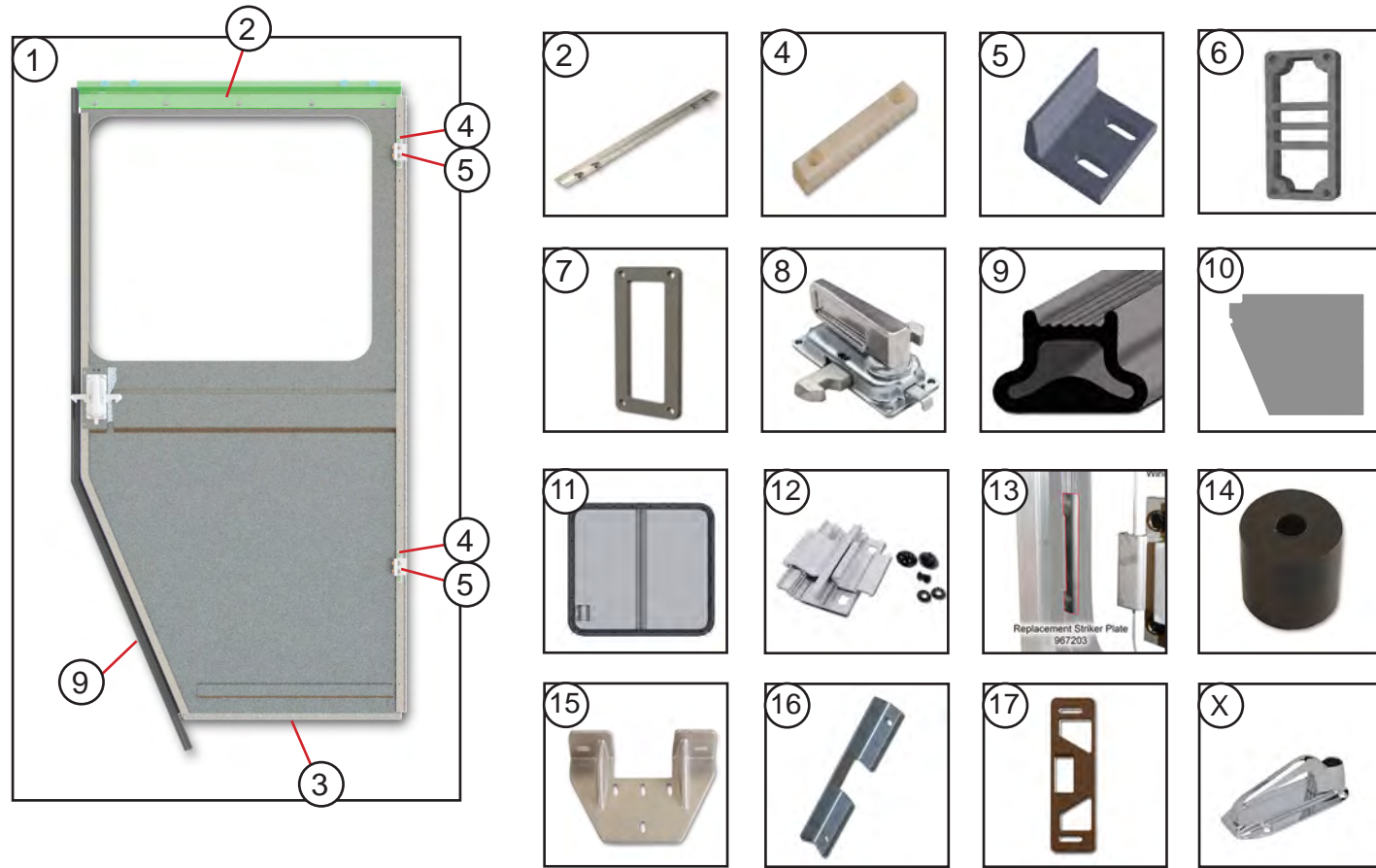


Item #	Part #	Description	Qty	Unit
1	45100009	Corner Casting Rear Roof LH	1	EA
2	45100010	Corner Casting Rear Roof RH	1	EA
3	083053401	Transom Rear AL 450266X91.62	1	EA
4	083053413	Panel Back AL .102X16.12X90 LH	1	EA
5	083053513	Panel Back AL .102X16.12X90 RH	1	EA
6	173053400	Sill Rear 93W AL 450024X89	1	EA
7	083053453	Channel Post Corner AL 450359X92.69	2	EA
8	235135400	Plate Filler - Back AL .125X2.6X86	1	EA
9	140092400	License Plate Box Assembly	1	EA
10	092050410	Angle Lower - Liftgate Mount AL 1126236X11 LH	1	EA
11	092050411	Angle Lower - Liftgate Mount AL 1126236X11 RH	1	EA
12	092050412	Mounting Bracket Liftgate AL 450596X65.29 LH	1	EA
13	092050413	Mounting Bracket Liftgate AL 450596X65.29 RH	1	EA
NS	45200791	Liner - Back Panel White .12X48X96	1	EA
NS	105348400	Angle - Liner Mounting AL 450180X78.38	4	EA



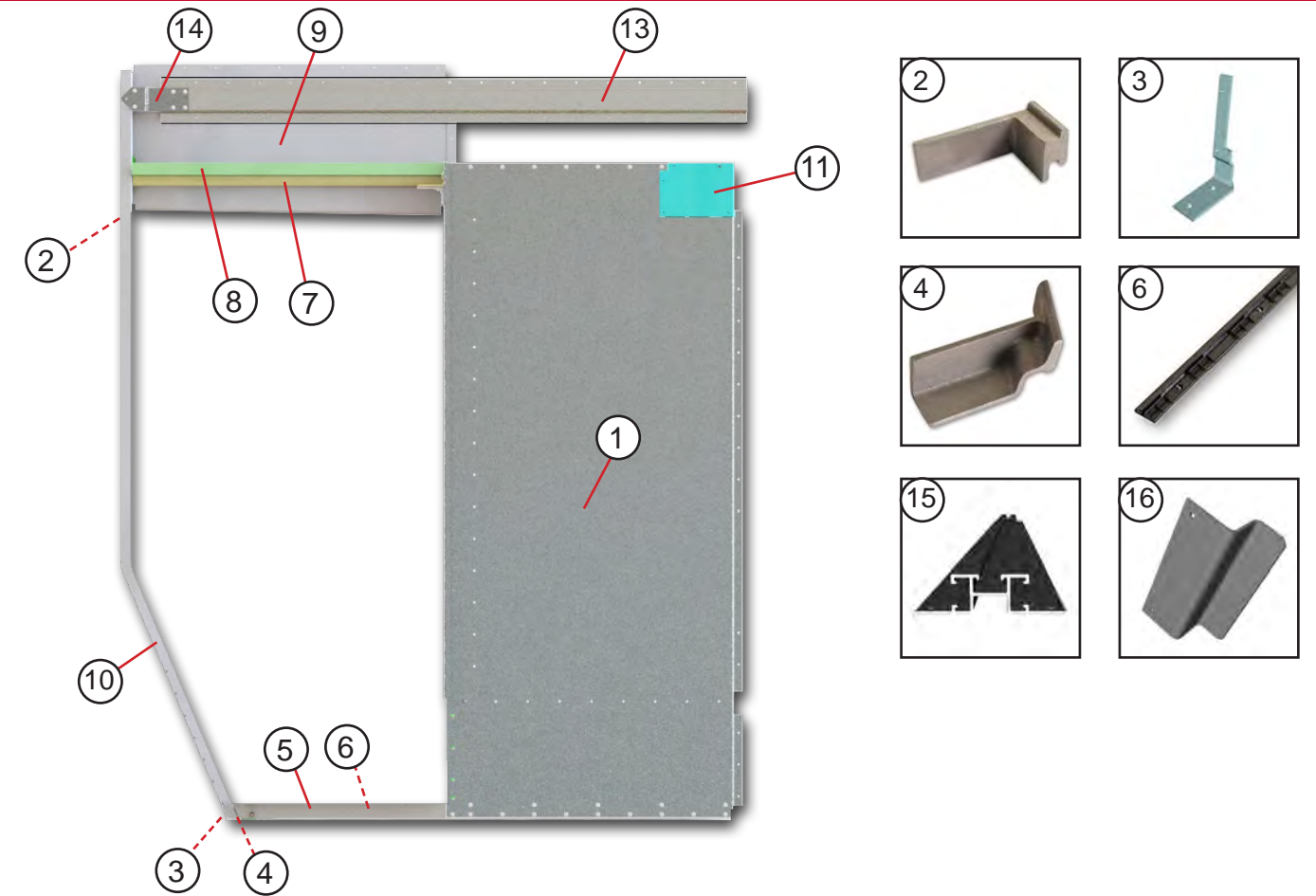
Item #	Part #	Description	Qty	Unit
1	109070405	Panel Bulkhead AL .102X35.34X77.17 DLH	1	EA
2	108070407	Panel Bulkhead AL .102X24.15X77.38 RH	1	EA
3	088070250	Door Assembly Bulkhead 32" W/ Fingerpull Latch	1	EA
4	088070252	Door Hanger Assembly W/Seal 3.34X32.13 (4 Pair Bearings)	1	EA
5	088070516	Wear Strip - Bulkhead Door AL 452002X33.75	1	EA
6	92537309	Plate Mounting - Door Latch AL .125X3.19X5.29	1	EA
7	1113046	Latch - Fingerpull	1	EA
8	1113600	Cable - Bulkhead Door .125X29" Black Vinyl	1	EA
9	088070435	Channel Bulkhead AL 450502X72.12 LH	1	EA
10	96770312	Door Jamb AL 450326X74.37 RH	1	EA
11	088070251	Door Track Assembly 32"	1	EA
12	108070409	Header Bulkhead Zee AL .102X12.9X92.4 DLH	1	EA
13	002069406	Stiffener Bulkhead Zee AL 450043X72.12	1	EA
14	96770316	Door Guide Floor AL 450414X47.88	1	EA
15	98770201	Striker Weldwent Assembly	1	EA
16	98770202	Striker Weldwent Assembly	1	EA
17	230070409	Filler Plate Bulkhead RH	1	EA

Side Door

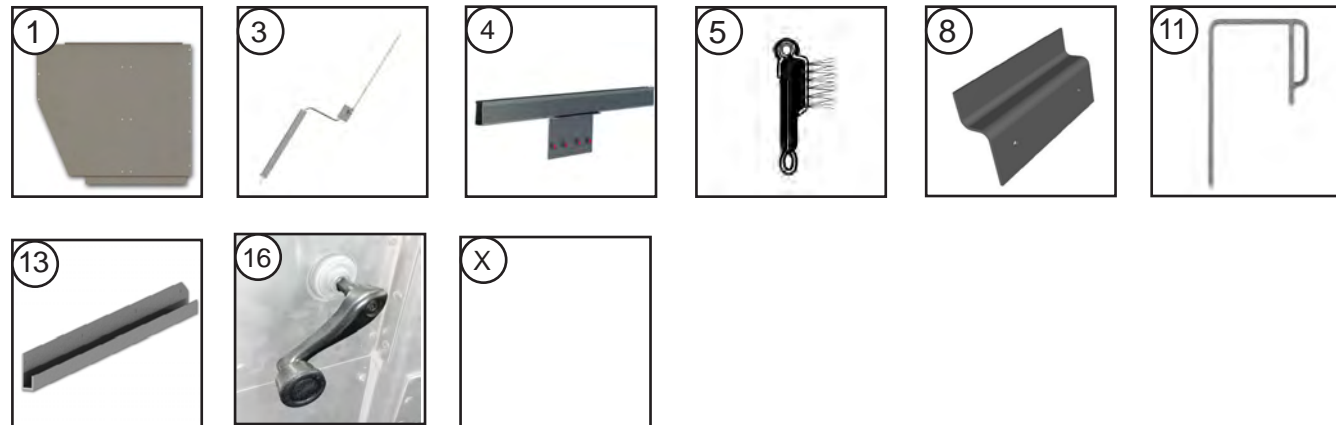
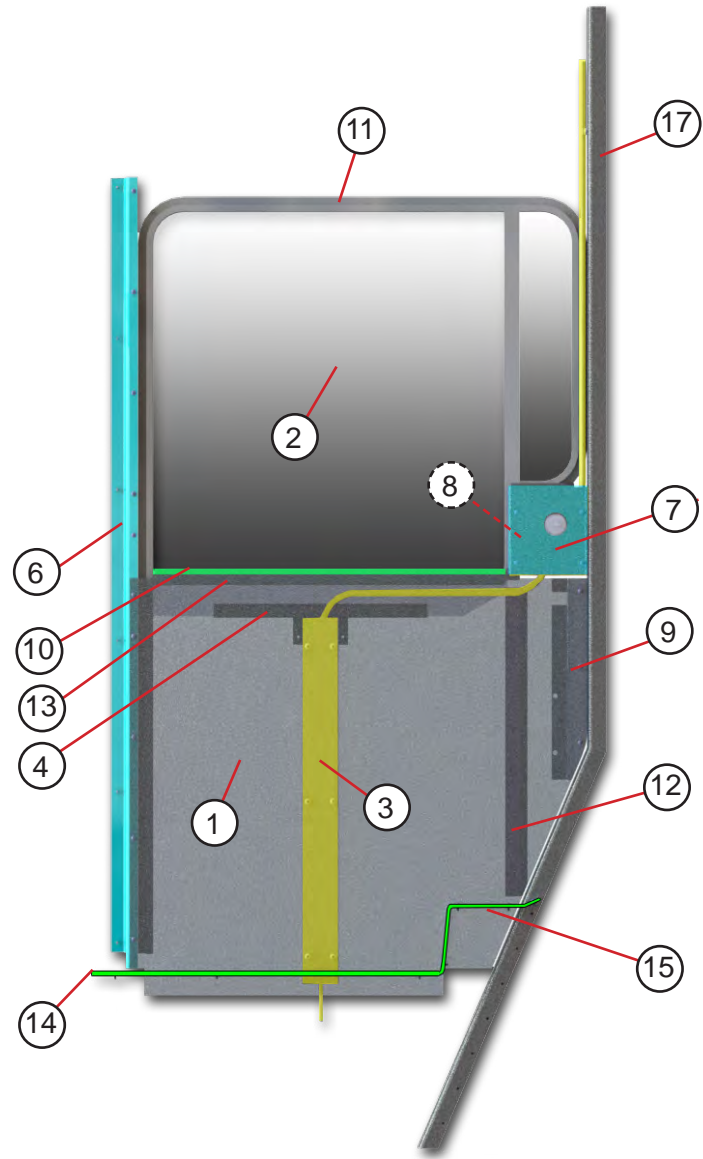


Item #	Part #	Description	Qty	Unit
1	195060201	Side Door Assembly RH E350/450	1	EA
2	96760203	Door Hanger Assembly 40.09"	1	EA
3	095060448	Wear Strip - Door Bottom AL 450008X26.85	1	EA
4	45200206	Spacer Anti-Rattle Clip Nylon	2	EA
5	45300377	Clip - Anti-Rattle	2	EA
6	087181	Spacer - Door Latch .54 DP ZN	1	EA
7	157060404	Spacer - Door Latch AL .188X2.5X5.5	1	EA
8	45100168	Latch/Lock Mechanism Inner	1	EA
9	44004104	Seal - Door Forward Rubber X89.25	1	EA
10	45210011	Door Panel - Inner Plastic 39.4X35.45 RH	1	EA
11	1334309001	Sliding Window Sash RH	1	EA
12	967110	Handle / Latch - Sliding Window	-	EA
13	967203	Striker Plate - Sliding Window	-	EA
14	44002011	Rubber Bumper	1	EA
15	45100094	Bracket Striker AL Casting	1	EA
16	198041400	Striker - Side Door Steel 7GAX3.13X8.25	1	EA
17	170060400	Striker Bronze - Side Door	1	EA
18	47000690	Handle Door Chrome (Lock Cylinder P/N 47001181)	1	EA

Door Pocket



Item #	Part #	Description	Qty	Unit
1	215041404	Panel Door Pocket AL .102X42.28X82.08 RH	1	EA
2	45100049	Gusset AL Casting Header Channel to Door Post RH	1	EA
3	001741408	Reinforcement Bracket A Post AL .125X1.53X8.04 RH	1	EA
4	45100105	Door Post AL Casting Lower RH	1	EA
5	210041407	Step Nose AL 450247X62.57 RH	1	EA
6	47002766	Door Guide Lower RH X51.44	1	EA
7	96741202	Door Track Assembly - Upper	1	EA
8	210041403	Channel Header AL 450256X75 RH	1	EA
9	215041412	Panel Header AL .102X20.19X42.39 RH	1	EA
10	215041406	Door Post AL 450294X94.04 RH	1	EA
11	96741355	Cover Plate - Door Pocket AL .055X6.75X12.16 RH	1	EA
NS	45900001	Plug Wood @ Rub Rail .75X1.12X2.9	1	EA
13	083042401	Stiffener Header AL 450328X74 RH	1	EA
14	96742302	Zee Clip AL .102X3X9.52	1	EA
15	093048406	Stiffener @ Door Pocket	1	EA
16	093095406	Zee - Pipe Rack	1	EA

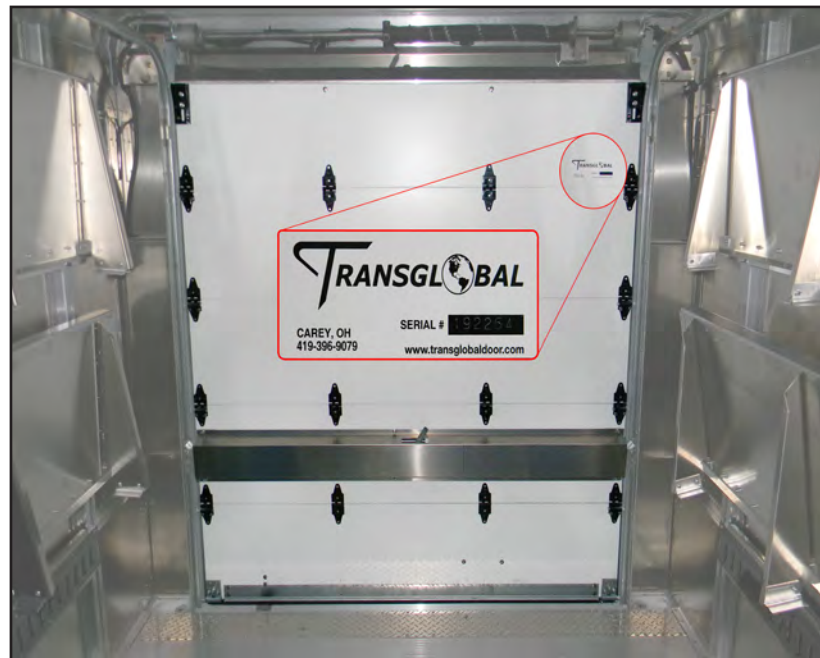


ITEM#	PART#	DESCRIPTION	QTY.	UNIT
1	095066402	Panel - Regulator Cover Lower AL .102X33.81X36.26 DLH	1	EA
2	45800093	Glass - Roll Up Window .125X28.43X32.59	1	EA
3	47007526	Window Regulator Assembly LH	1	EA
4	47007539	Channel Mounting - Window Regulator	1	EA
5	998566419	Felt - Glass X28.12	1	EA
6	998566407	Stiffener Zee Rear AL .102X2.94X62.73 L/R	1	EA
7	998566450	Plate Mounting - Window Crank AL .07X7.19X7.51	1	EA
8	998566451	Plate Mounting Zee AL .102X3.92X6	1	EA
9	095066404	Cover Zee Forward AL .102X3.56X16	1	EA
10	998566456	Trim - Window Edge AL 450234X27.92	1	EA
11	13342290002	Frame - Roll Up Window Assembly LH	1	EA
12	998566557	Guide Channel - RUW AL 47007530X24.5	1	EA
13	095066403	Guide Channel Mounting RUW 47007531X24.5	1	EA
14	084024422	Cover Lower AL .102X3.43X28.73 DL	1	EA
15	095024495	Cover Plate DSL AL .102X2.25X12.23	1	EA
16	47007522	Replacement Window Handle	1	EA
17	095044300	Door Post Assembly	1	EA

ROLL UP WINDOW FASTENERS & SPECIALITY ITEMS

ITEM#	PART#	DESCRIPTION	QTY	UNIT
	1111086	CLAMP .55ID MIN	1	EA
	1117310	NUT HEX NYL LK .25-20 ZP	8	EA
	1117357	RIVET AL BR/HD #8 .188X.5	0.01	LB
	1117651	SCREW STL PN/HD ZP #4X.25	5	EA
	1117723	SCREW STL SEMS THD PHL #10-32X.5	28	EA
	1117857	SCREW SS TR/HD PHL .25-20X.62	2	EA
	1117886	WASHER STL FLAT .06X.25X.62	6	EA
	40200629	RIVET POP CLSD .12-25 BLACK	11	EA
	40200809	RIVNUT GRIP2-.13	8	EA
	40200812	RIVNUT .25-20 HEX	2	EA
	41002036	LOCK TIGHT - THREAD LOCK	0.1	EA
	47007523	TAPE REGULATOR WINDOW CHAIN SETTING	1	EA
	47007524	SCREW STL SEMS .25-20X.38 W/LKTT	6	EA
	47007540	RUBBER SETTING TAPE @ WINDOW CHANNEL	1	EA

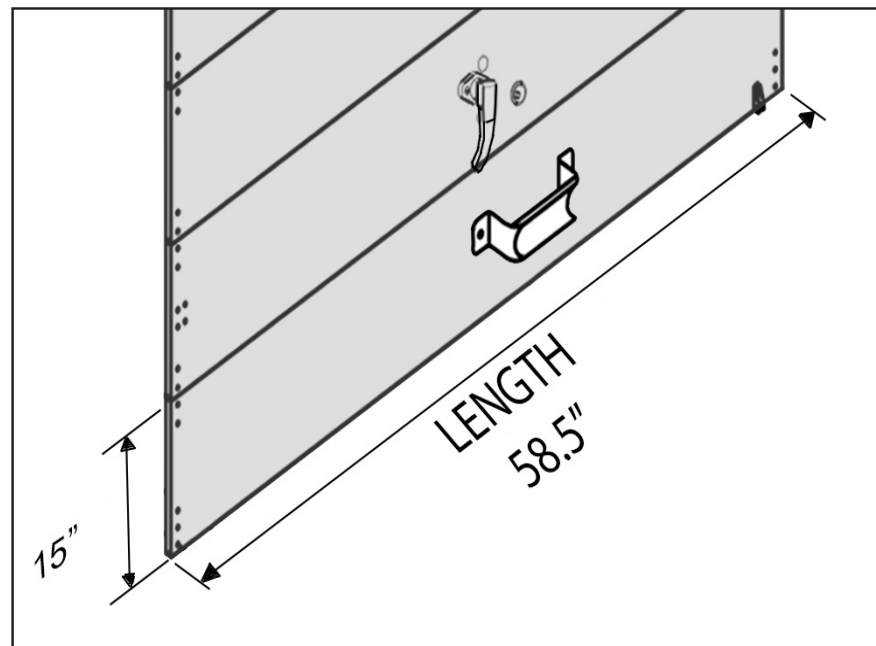
47106537 58.75 X 78.38



ROLL-UP DOOR SERIAL NUMBER LOCATION

WHEN ORDERING PARTS FOR ROLL-UP DOORS,
PLEASE PROVIDE THE FOLLOWING INFORMATION.
THE SERIAL NUMBER LOCATED ON THE INTERIOR TOP PANEL ROADSIDE EDGE.
THE LENGTH AND HEIGHT OF THE DOOR PANEL(S) TO BE ORDERED.

IN THE EVENT OF A DAMAGED, UN-READABLE OR MISSING SERIAL NUMBER,
PLEASE TRY TO PROVIDE THE COMPOSITION DETAILS OF THE DOOR PANEL.
(PLASTIC PANEL (WEATHERTITE), ALUMINUM CLAD, PLYWOOD, ETC.)

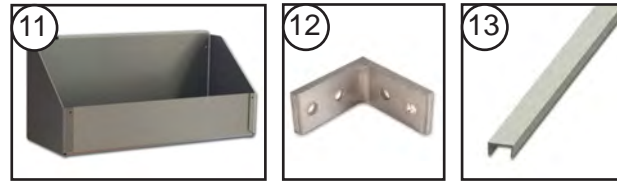
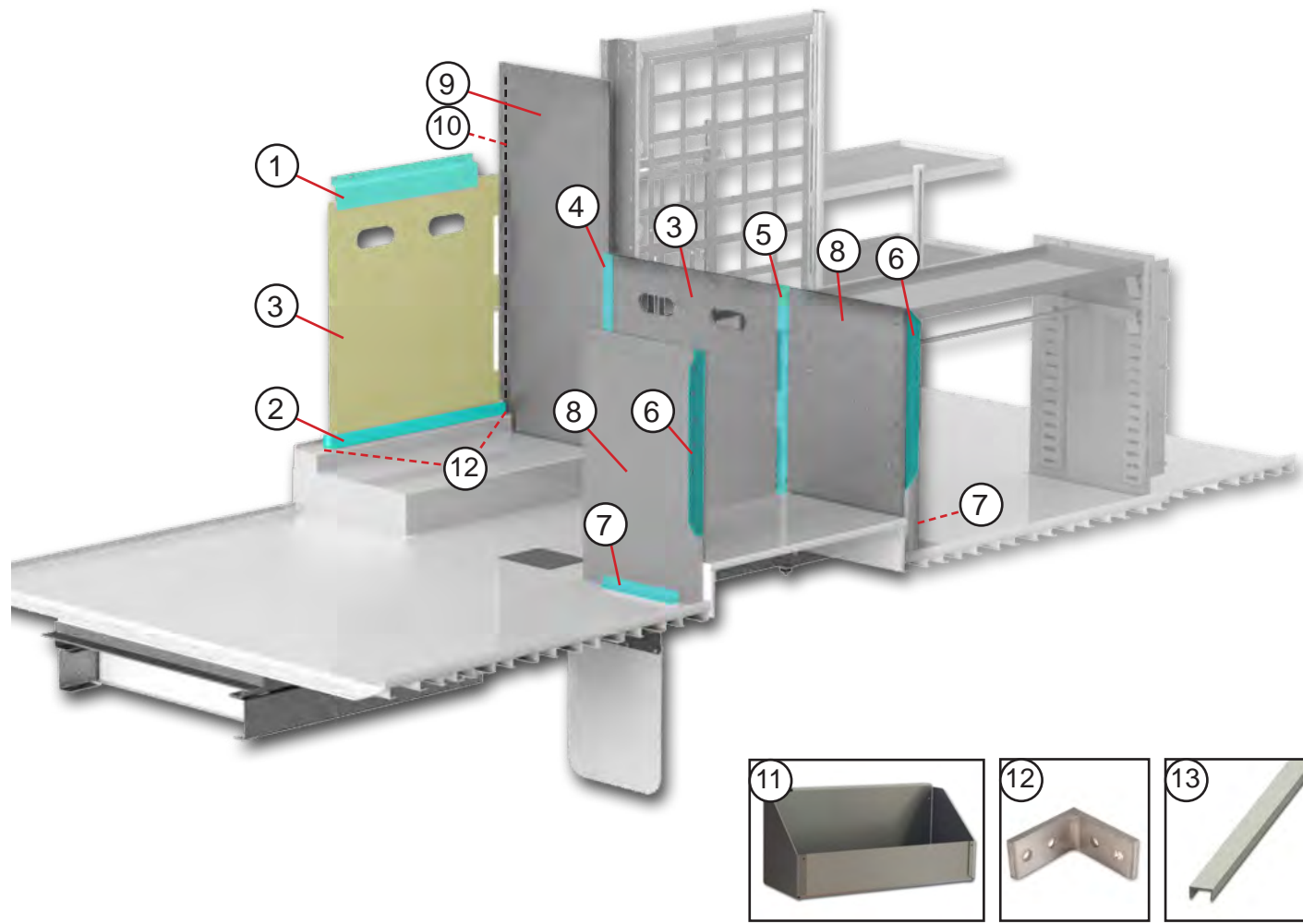


Pending Data
From Supplier

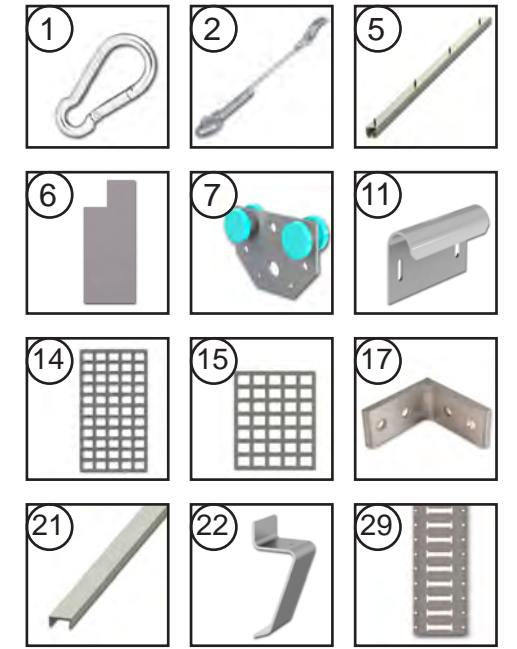
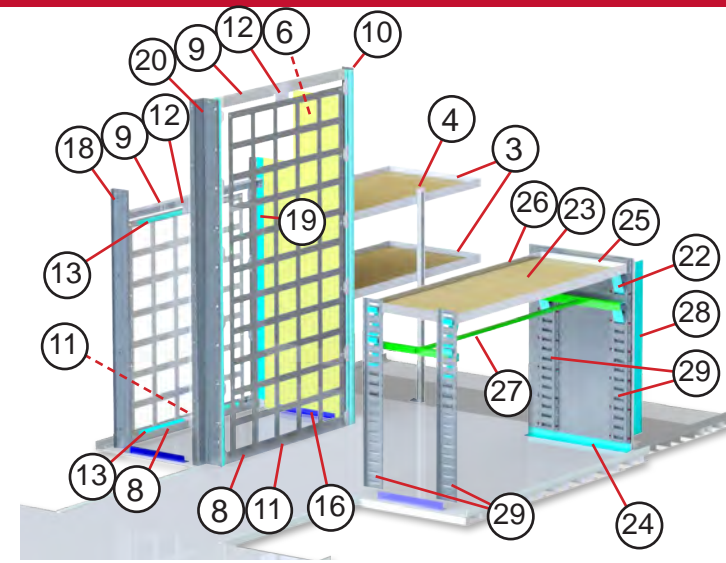
RUD Position	MFG	MO P/N	Installation P/N
Rear Roll Up Door	Whiting	47106537	083130837
Roadside	Gortite	47003728	006274227
Curbside Aft	Gortite	47003725	006274228
Curbside Forward	Gortite	47003726	006274229

Pending Data
From Supplier

Pending Data
From Supplier



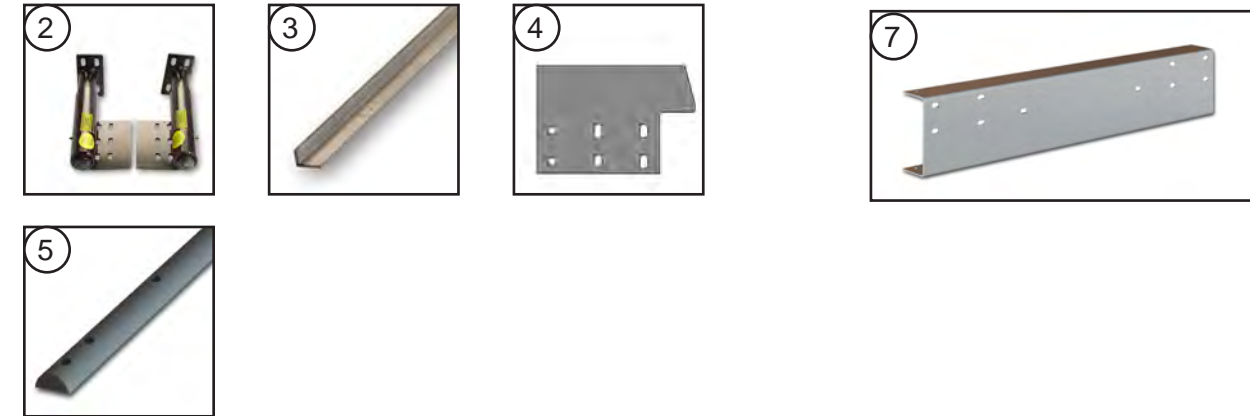
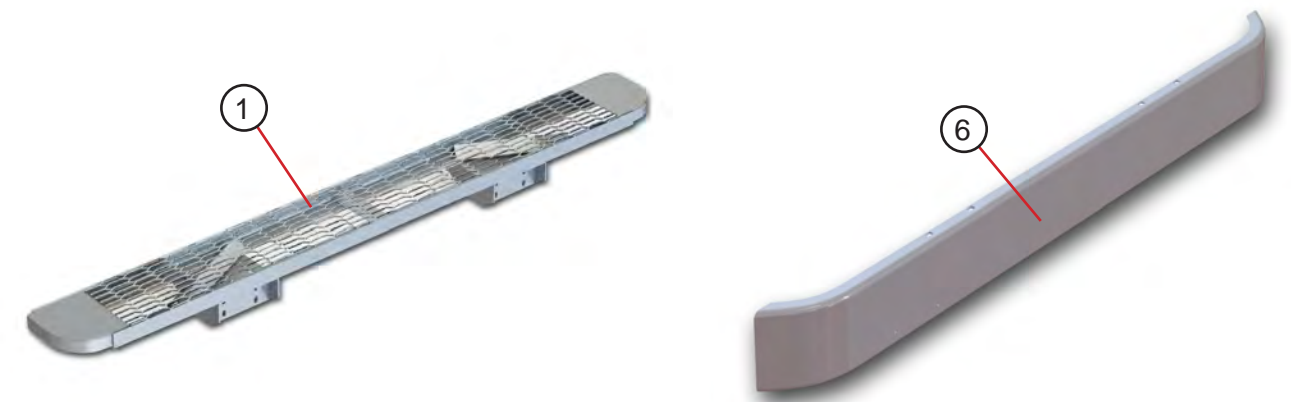
Item #	Part #	Description	Qty	Unit
1	118070425	Zee Holder Bracket Upper AL .102X5.97X32	1	EA
2	118070424	Channel Header AL 450007X39	1	EA
3	006371402	Door Bulkhead - Removable Plywood .75X38.5X40	1	EA
4	006371403	Door Guide Channel AL 450063X40 LH	1	EA
5	006371405	Door Guide Channel AL 450063X40 RH	2	EA
6	205105405	Angle Mounting AL 45001900X28.88 RH	2	EA
7	96717400	Angle Support @ Floor AL 450180X15.6	3	EA
8	105371401	Panel Bulkhead Removable Plywood .75X25.5X40	2	EA
9	115371400	Panel Bulkhead Plywood .75X25.6X68.5	1	EA
10	205105404	Angle Mounting AL 45019200X58 LH	1	EA
11	113105206	Shelf Assembly Over Door Pocket	1	EA
12	96750313	Angle Clip AL 450196X1	2	EA
13	44000274	Trim Plastic "U" White .8X96	3	EA



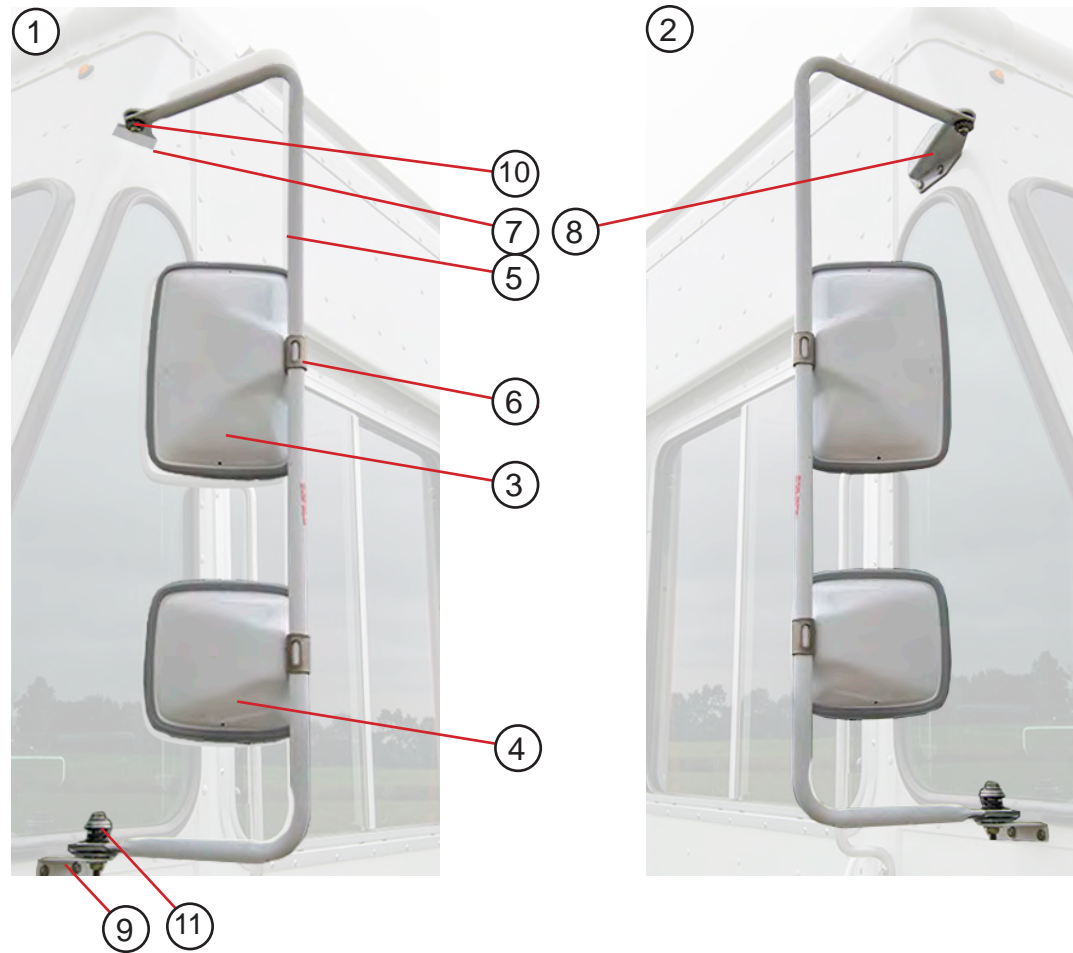
Item #	Part #	Description	Qty	Unit
1	40600001	Spring Snap 2.38LX.31	20	EA
2	40900928	Pin Quick Release 18-8 SS Ring Grip	8	EA
3	115105204	Shelf Assembly 24.25 X 46.04"	2	EA
4	113105205	Leg Assembly - Shelf	2	EA
5	115127200	Track Assembly - Cargo Net 53.50"	2	EA
5	113127201	Track Assembly - Cargo Net 64"	2	EA
6	115105446	Panel Shelf End Plywood .75X24X68.5	1	EA
7	113127200	Carriage Roller Assembly - Cargo Net	21	EA
8	115127404	Angle Net Lower AL 450523X44.88	2	EA
9	115127405	Angle Net Upper AL 450523X44.88	2	EA
10	113127404	Bracket End AL .125X3X74.94	1	EA
11	113127405	Bracket "J" Lower AL .102X3.86X4.75	2	EA
12	113127406	Bracket "J" Upper AL .102X4.75X5.36	2	EA
13	113127407	Tube - Net AL 450230X32	4	EA
14	45400551	Cargo Net 38.15X70.73	1	EA
15	45400553	Cargo Net 38.15X45.56	1	EA
16	96717400	Angle Support HD @ Floor AL 450180X15.6	1	EA
17	96750313	Angle Clip AL 450196X1	8	EA
18	115127406	Support End Plate AL .125X8.64X53.95	1	EA
19	115127409	Bracket Mounting Net End AL .125X3X53.5	1	EA
20	115127407	Support End Plate AL .125X8.64X74.94	1	EA
21	44000274	Trim - Plastic "U" White .8X96	1	EA
22	006595401	Bracket E-Track Steel 11GA X2.25X8.35	8	EA
23	45900313	Shelf Board - Plywood .75X48X96 AC	1	EA
24	001024423	Stiffener - Angle FloorAL 450180X25.25	1	EA
25	105595403	Angle - Shelf End ALE 450186X21.02	2	EA
26	105595404	Angle - Shelf Side ALE 450186X59.26	2	EA
27	105595200	Pipe Rack Assembly - Weldment	1	EA
28	105595407	Bracket Support AL .125X7.09X36	1	EA
29	105595406	E-Track - Shelf End Bracket 1101531X38	4	EA



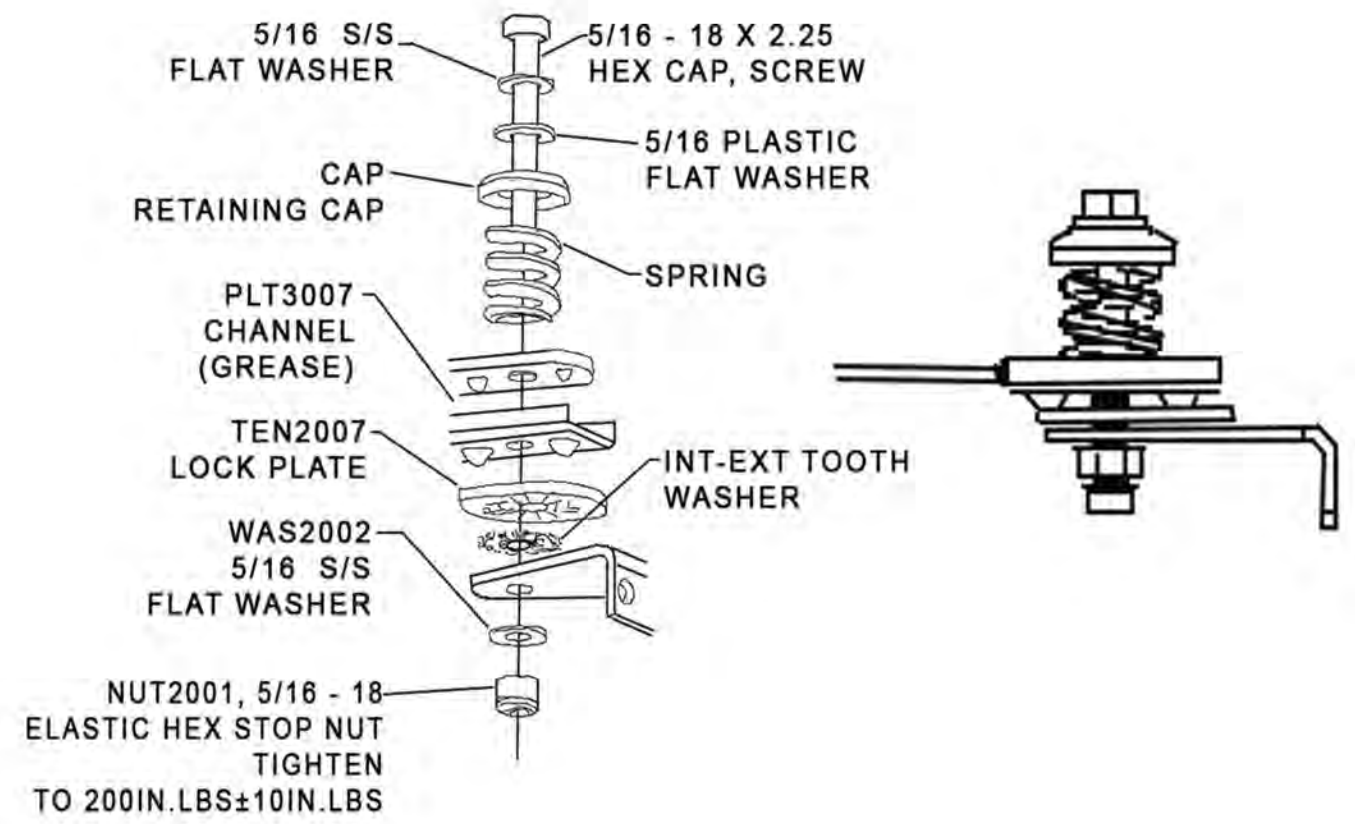
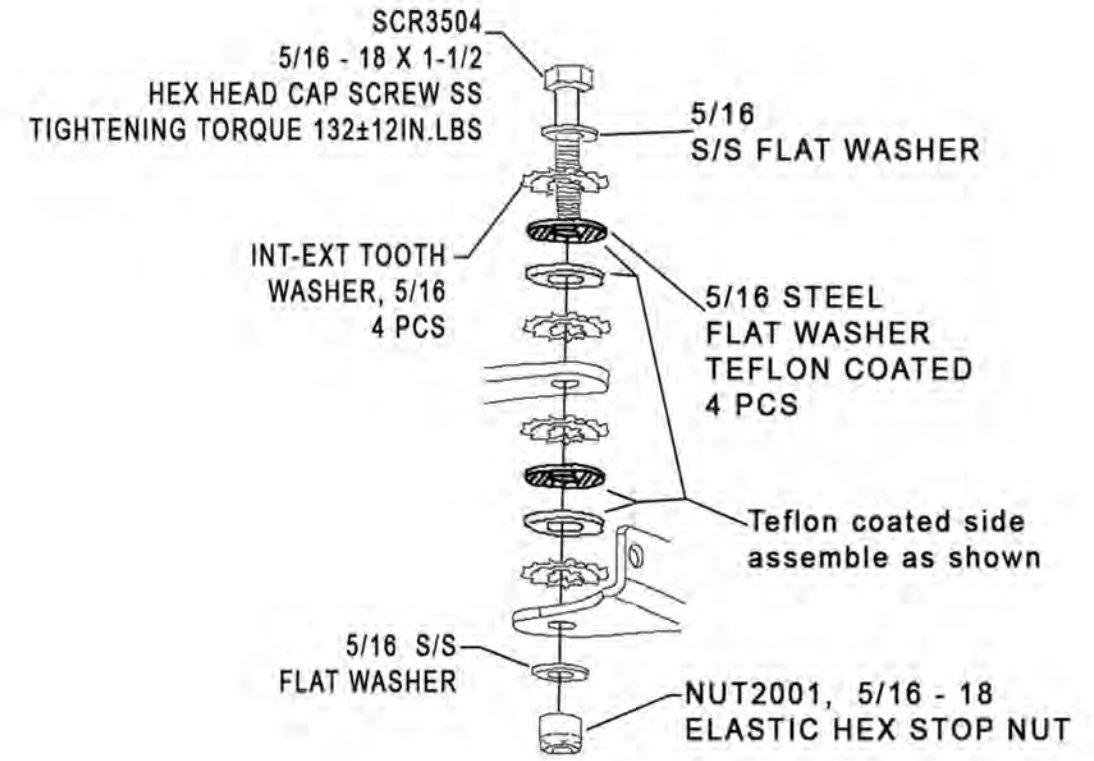
Item #	Part #	Description	Qty	Unit
1	45601153	Support Channel 3.12" Pipe Rack	23	EA
2	093095101	Pipe Assembly Galvanised 1.3125 OD X 204 W/ End Caps	2	EA
3	45601163	End Cap Rubber 1.25"OD Black	6	EA
4	45601158	Tube Steel 11GA 1.5X1.5X89.50 SQ	8	EA
5	45601159	Tube Steel 11GA 1.5X1.5X86.50 SQ	1	EA
6	093095414	Bracket Pipe Rack AL .125X5.88X8.23 LH	18	EA
7	093095415	Bracket Pipe Rack AL .125X5.88X8.23 RH	18	EA
8	093095103	Pipe Assembly Galvanised 1.31" OD X9' W/ End Caps	1	EA
9	46501155	U Bolt	41	EA
10	1117311	Lock Nut	82	EA
11	40300927	Lock Washer Split Steel .094X.38 IDX	82	EA

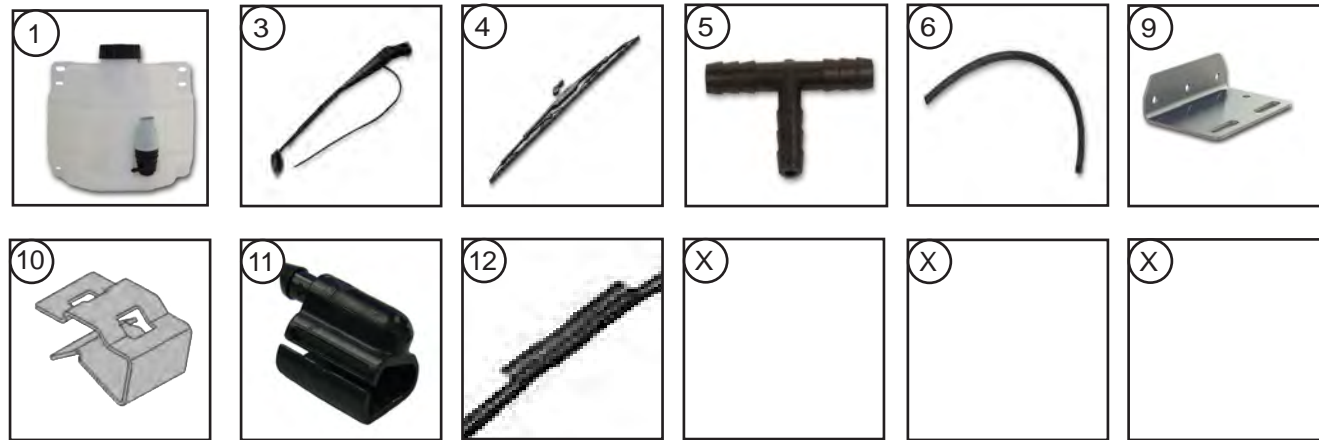
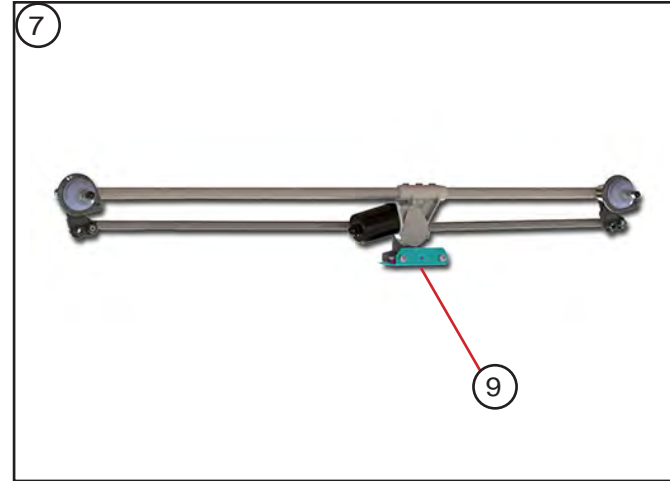
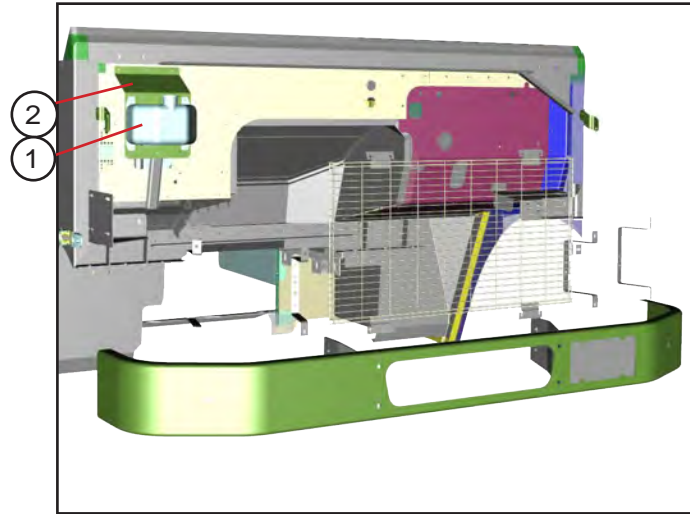


Item #	Part #	Description	Qty	Unit
1	47005660	Bumper Rear 93W 10" Shock Mount	1	EA
2	003057200	Bumper Mounting Shock	2	EA
3	89857311	Angle Rear Sill 93W AL 450191X89	1	EA
4	006507405	Hanger Plate Steel .312X7X10.38	2	EA
5	04M067021	Rubber Bumper 48.25"	2	EA
6	47003814	Bumper Front 93W 9"	1	EA
7	225008401	Bracket Mounting Bumper Steel 7GA 15.25X47.71	1	EA

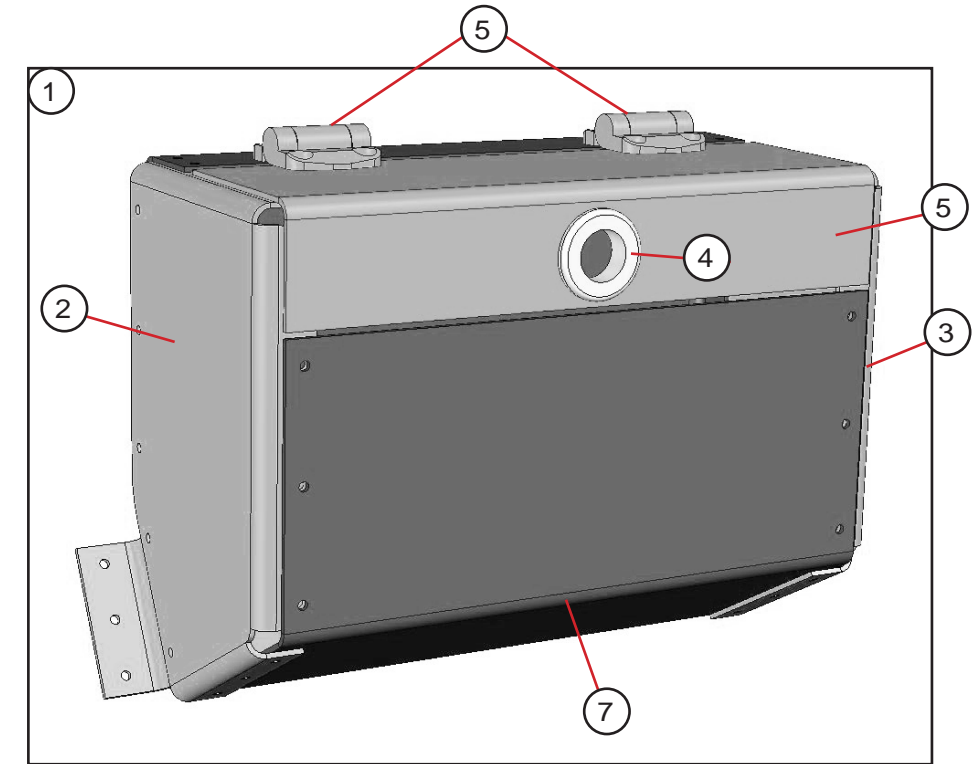


Item#	Part#	Description	Qty	Unit
1	47005628	Mirror Assembly LH	1	EA
2	47005629	Mirror Assembly RH	1	EA
3	1119023	Mirror Head 6.5" X 10" White / Grey Gasket	2	EA
4	1119024	Mirror Head 6.5" X 6" White / Grey Gasket	2	EA
5	47005689	Mirror Loop Stainless 3/4" X 35.33" White	2	EA
6	47005672	Clamp 3/4"	4	EA
7	47005610	Mounting Base Upper LH	1	EA
8	47006179	Mounting Base Upper RH	1	EA
9	47005623	Mounting Base Lower	2	EA
10	47005007	Hardware Kit Upper	2	EA
11	47005069	Hardware Kit Lower	2	EA





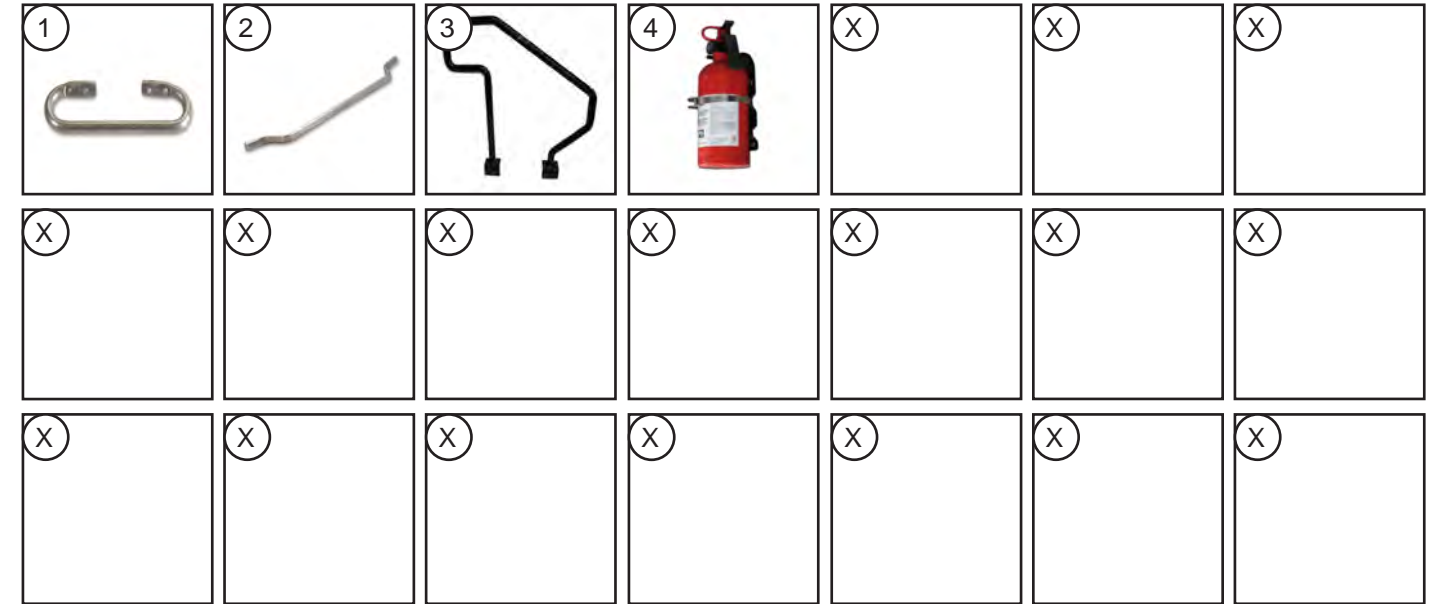
ITEM #	PART #	DESCRIPTION	QTY.	UNIT
1	47004507	WINDSHIELD WASHER RESERVOIR W/PUMP	1	EA
2	093063400	BRACKET WINDSHIELD RESERVOIR	1	EA
3	47004205	WIPER ARM - WET 20"	2	EA
4	47004134	WIPER BLADE 24"	2	EA
5	1101694	TEE WINDSHIELD WASHER	1	EA
6	1107122	HOSE WINDSHIELD WASHER	12	FT
7	47004230	WIPER SYSTEM TUBULAR 2 PIVOT 86/88W	1	EA
NS	N/A	MOTOR (NON SERVICEABLE)	1	EA
9	220055408	BRACKET WIPER MOTOR	1	EA
10	46021115	CLIP BODY LARGE PAN	1	EA
11	47004271	WET KIT FOR WIPER ARM (SPRAY NOZZLE & HOSE)	2	EA
12	47004272	RETAINING CLIP HOSE	2	EA



Item #	Part #	Description	Qty	Unit
1	098075200	Tool Box Assembly RH Toeboard	1	EA
2	998075400	Side Panel - Tool Box AL .102X7.64X11.92 LH	1	EA
3	998075401	Side Panel - Tool Box AL .102X7.64X11.92 RH	1	EA
4	1107079	Grommet 1X.125X1.375	1	EA
5	998075406	Lid - Tool Box AL .102X6.21X12.84	1	EA
6	47007888	Hinge	2	EA
7	998075408	Front Panel - Tool Box AL .102X15.27X22.87	1	EA



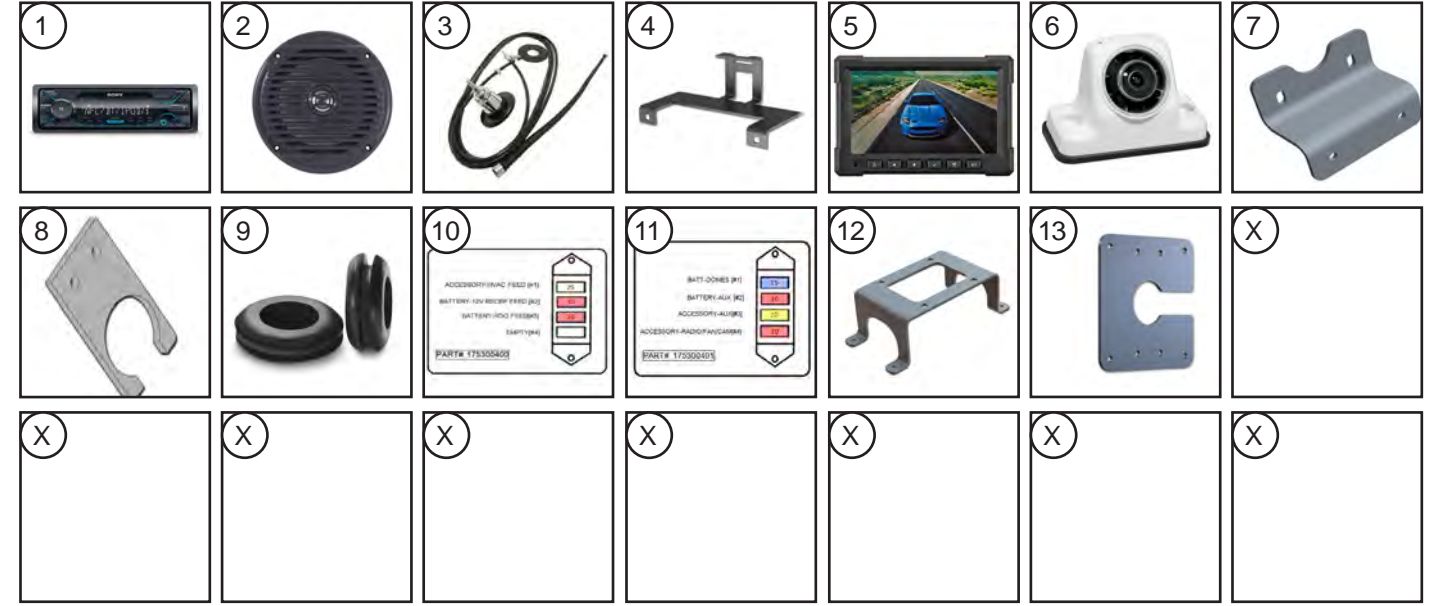
Item #	Part #	Description	Qty	Unit
1	47009547	Triangle Kit	1	EA
2	47009548	Bracket - Triangle Kit	1	EA
3	1113430	Document Pouch	1	EA
4	47005504	Sun Visor 8x33"	2	EA
5	090061400	Bracket - Sun Visor	1	EA
6	47008694	Roof Vent	1	EA
7	7909021	Reinforcement Bracket - Roof Vent	1	EA
8	47008696	Trim Ring - Roof Vent	1	EA
9	220093401	Plate - Reinforcement - Roof Vent	1	EA
10	44004002	Trim - Drip Guard (@ Windshield Rail)	7.33	FT
11	43000903	Label - Hood Proper Instruction	1	EA
12	225026401	Splash Pan Vinyl 45200014X19.27X52	2	EA
13	46025017	Reflector Red 2.88"	4	EA
14	46025018	Reflector Amber 2.88"	2	EA
15	47009282	Work Station 30" Lock & Dividers	1	EA
16	47009653	Center Console	1	EA
17	1107308	Mud Flaps	1	PR
18	7504428	Retainer - Mud Flaps	2	EA
19	80795014	Angle - Retainer	2	EA
20				
21				



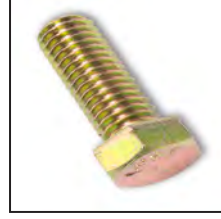
Item #	Part #	Description	Qty	Unit
1	90187300	Grab Handle AL .5 Dia X 9"	1	EA
2	98150310	Grab Handle AL X26.38	3	EA
3	47001050	Grab Handle - Entry Way	1	EA
4	47009621	Fire Extinguisher 2.5 LBS 1A10BC	1	EA
5				EA
6				EA
7				EA
8				EA
9				EA
10				FT
11				EA
12				EA
13				EA
14				EA
15				EA
16				EA
17				PR
18				EA
19				EA
20				
21				



Item #	Part #	Description	Qty	Unit
1	46001388	Lamp Clearance Marker Red LED PC	7	EA
2	46001391	Lamp Clearance Marker Amber LED PC	1	EA
2	46001395	Lamp Clearance Marker Amber LED PC	7	EA
3	46001447	Lamp Back Up LED	2	EA
4	46001905	Lamp AUX S/ LH+RH Turn Bar	1	EA
5	46002266	Lamp Rear Combo LED	2	EA
6	46002637	Lamp Dome Recessed LED	1	EA
7	46002676	Lamp Dome Recessed LED	1	EA
8	46027653	Lamp P/T LED Front	2	EA
9	47009642	Lamp Marker LED Clear	2	EA
10	46004443	Grommet Round Black 4IN Lamp	4	EA
11	46027708	Grommet Oblong Black	2	EA
12	46023532	Switch Rocker Cab Dome SPST Off-On	1	EA
13	46023533	Switch Rocker Cargo Dome SPDT On-On	1	EA
14	46023611	Switch Rocker Base Only SPDT On-On	1	EA
15	46023622	Switch Rocker Actuator Only - Roof Vent	1	EA
16	46022607	Switch Toggle 3-Way W/ Leads	1	EA
17	46022608	Cup Mounting - Toggle Switch	1	EA
18	46023535	Switch Rocker Dash Fan SPDT On-Off-On	1	EA
19	46030014	Fan 2 Speed 270CFM	1	EA
20	46023506	Hole Plug for Rocker Switch Black	2	EA
21	46024513	Back Up Alarm	1	EA



Item #	Part #	Description	Qty	Unit
1	46025621	Radio AM/FM/BT/AUX Single DIN	1	EA
2	46025590	Speakers 6.5"	2	EA
3	46025559	Antenna	1	EA
4	220079400	Bracket - Radio Support AL .102X7.21X7.43	1	EA
5	48200266	Back Up Monitor 7"	1	EA
6	48200339	Camera - Back Up	1	EA
7	146079401	Bracket - Back Up Camera AL .102X3X3.47	1	EA
8	090087401	Wiring Filler Plate	2	EA
9	44000052	Grommet - Wiring 1X .125X1.31	1	EA
10	175300400	Label - Fuse Box LH	1	EA
11	175300401	Label - Fuse Box RH	1	EA
12	102084499	Bracket - Fuse	1	EA
13	173092401	Cover - Fuse Box	1	EA
NS	46024586	Sonar Kit (Upper Sensor Only)	1	EA
NS	46024585	Sonar Rear (6 Sensor)	1	EA
NS	46024583	Sonar Lower ASA	1	EA
NS	46024584	Sonar Upper ASA	1	EA
18			1	EA
19			1	EA
20			1	EA
21			1	EA
			1	EA



Size	Description	Thread	Lengths													
			.62	3/4"	1"	1-1/4"	1-1/2"	1-3/4"	2"	2-1/2"	3"	3-1/4"	4"			
1/4" Hex Cap Screw	GR5 ZC/RO	20					1117009									
1/4" Hex Cap Screw	GR5 ZC/RoHS	20			1101688								1117818			
1/4" Hex Cap Screw	18-8 Stainless	20	1117816		1117819	1117010										
1/4" Hex Cap Screw	ASTM F593C	20			1117804											
5/16" Hex Cap Screw	18-8 Stainless	18			1117045											40300737
5/16" Hex Cap Screw	GR8 ZC/Y	18			1117045											
5/16" Hex Cap Screw	ASTM F593	18			1117803			1117059								
5/16" Hex Cap Screw	GR5 ZC/R	16				1117837										
3/8" Hex Cap Screw	GR8 ZC/Y	18			1117049	1117055										
3/8" Hex Cap Screw	GR8 ZC/Y	16			1117843											
3/8" Hex Cap Screw	GR5 ZC/RO	16			47012646					1117097			051166			
3/8" Hex Cap Screw	GR5 ZC/RoHS	16	40300056	40300054						40300058			05125	1117040		05128
3/8" Hex Cap Screw	ASTM F593C	16						1117805		1117052						
7/16" Hex Cap Screw	GR8 ZC/Y	20						1217000								
1/2" Hex Cap Screw	GR5 ZC/RoHS	13														
1/2" Hex Cap Screw	GR5 ZC/RO	13				1117121							1117050	1117051		1117035
1/2" Hex Cap Screw	GR5 ZC/RoHS	13								1117043	1117124	1117051				
1/2" Hex Cap Screw	GR5 ZC	13						1117036	051461							
5/8" Hex Cap Screw	GR5	11														40300259

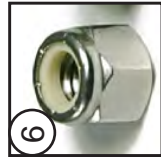
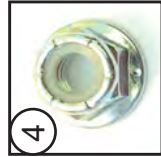
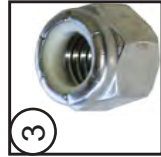
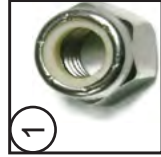
	Grade 8 Medium Carbon Alloy Steel
	Grade 5 Medium Carbon Steel
	Grade 2 Low or Medium Carbon Steel

ZC	Zinc Coated
ZP	Zinc Plated
Y	Yellow
GR	Grade
RoHS	AS9100C ISO 9001:2008
ASTM F593C	American Standards Measurements Specifications

Genuine OEM Parts

1.800.233.4823

www.morganolsonparts.com



ZP - ZINC PLATED

Standard	Thread	FIG.	#8	#10	1/4"	5/16	3/8"	.44	1/2"	DIA.	
NYLON LOCKING NUT, HEX	32	1		052266							
NYLON LOCKING NUT, HEX	24	1		40301303							
NYLON LOCKING NUT, HEX ZP	24	3		1117307							
NYLON LOCKING NUT, HEX ZP	20	3			1117310					1117838	
NYLON LOCKING NUT, HEX ZP	18	3									
NYLON LOCKING NUT, HEX ZP	16	3					1117344				
LOCKING NUT HEX FLANGE .44-20 OVAL	20	4								1217003	
NUTSERT EXPANDING NYL .275 SQ	20	5		40900006							
NUT NON LOCKING	24	2		1117303							
NUT NON LOCKING	20	2			1117312						
NUT NON LOCKING	16	2								1117316	
GRADE 5											
NUT STL LK LRG FLG GD5 .31-18	18	4							40100560		
NUT STL HEX LK B ZP .5-13 GR 5	13	1								1117283	
Stainless											
NUT SS LOCKING	32	3	1117347	1117699							
NUT SS LOCKING	24	6		1103354							
NUT SS LOCKING	20	6			1117336						
NUT SS NON LOCKING	20	7			40100044						
NUT SS ACORN LOW CROWN	20	8			40100061						
Speciality											
CHANNEL NUT WITH SPRING 1 X 1-1/4"	20	9			47009988						

Genuine OEM Parts

1.800.233.4823

www.morganolsonparts.com



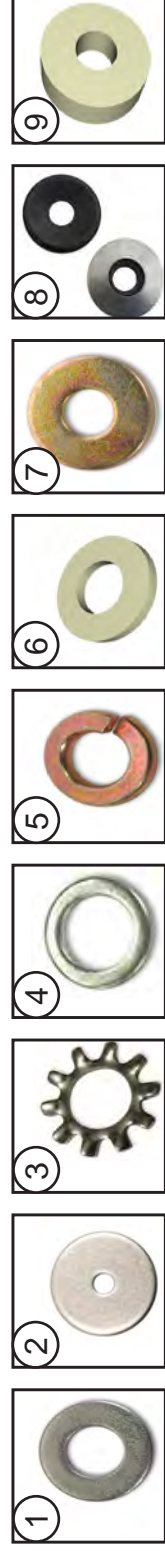
		Length													
	MAGNA LOCK	Diameter	Fig.	.25	.312	.375	.438	.44	.5	.562	.625	.687	.75	.875	1"
	HUCK R6-4	.188	1	1117084	1117061										
	HUCK R8-6	.25	2	1117087											
	PROTRUDING HEAD	.25	3		40200304			40200634		40200303					
	FLUSH HEAD B6-4	.25	4						40200630						
	RIV AL BRAIZER HEAD	.125	5	1117402	1117404	1117405		1117406							
	RIV AL BRAIZER HEAD	.188	5	1117351	1117353	1117355		1117357	1117359	1117361	1117363	1117365			
	RIV AL BRAIZER HEAD	.25	5					1117380							1117395
	RIV AL BRAIZER HEAD MOD	.25	5					40200214	1117409	1117410	1117408				
	RIV AL FLAT HEAD	.188	7				1117436								
	RIV AL FLAT HEAD POP	.25	7							40200630					
	RIV AL DOME HEAD BLIND	.125	10	1117464											
	RIV AL DOME HEAD BLIND	.188	10	1117456	1117457				1117458	1117459					
	POP AL OPEN END BLIND	.125	6			1117421									
	POP AL OPEN END BLIND	.188	6	1117456	1117457					1117459				1117458	
	POP CLSD BLACK		8						40200629	40200631					
	SNAP FASTENER		9						40900925						
	BULB TYPE BLIND w/WASHER	.188	10		40200621				40200501						

Genuine OEM Parts

1.800.233.4823

www.morganolsonparts.com

42



Standard	Center	FIG.	3/8	1/2	9/16	5/8	3/4"	7/8	1"	1-1/4"	1-3/4"
#10 TYPE B FLAT WASHER ZINC/ROHS	.19	1			1117929						
#10 X 1 FENDER WASHER ZC	.19	2							1117950		
#10 EXTERNAL TOOTH LW ZC	.19	3	1117971								
1/4 EXTERNAL TOOTH LW ZC	1/4	3		1117975							
1/4 TYPE B NARROW FLAT WASHER	1/4	4			1117941						
1/4 USS FLAT WASHER ZC/ROHS	1/4	1					1117953				
1/4 F436 (A325) FLAT WASHER ZC/ROHS	1/4	1				40000047					
FLAT WASHER .060 THICK ZC/RO	1/4	1							1117952		
1/4 USS FLAT WASHER	1/4	1		1117885							
5/16 SPLIT LOCK WASHER ZC/ROHS	5/16	5	1117965								
5/16 USS FLAT WASHER ZC/ROHS	5/16	1						1117955			
3/8 USS FLAT WASHER ZC/ROHS	3/8	1						1117957			
3/8 X 1 FLAT WASHER 1/4 THK NYLON	3/8	6						40000038			
1/2 TYPE B REGULAR FLAT WASHER	1/2	1							40000050		
1/2 TYPE B REGULAR FLAT WASHER ZC	1/2	1							1117945		
1/2 TYPE B WIDE FLAT WASHER ZC/ROHS	1/2	1									1117959
Grade 8											
5/16 USS FLAT WASHER GR 8 ZC/Y	5/16	7						1117937			
3/8 USS FLAT WASHER GR 8 ZC/Y	3/8	7							1117947		
3/8 SAE FLAT WASHER GR 8 ZC/Y	3/8	7					40000046				
7/16 USS FLAT WASHER GR 8 ZC/Y	7/16	7								1217002	
1/2 SAE FLAT WASHER GR 8 ZC/Y	1/2	7							1117943		
Stainless 18-8											
#10 X 5/8 BONDED SEALER 18-8 SS	.19	8				40000053					
1/4 X 5/8 BONDED SEALER 18-8 SS	1/4	8				40000051					
3/8 X 3/4 BONDED SEALER 18-8 SS	3/8	8					40000054				
3/8 X 1" BONDED SEALER 18-8 SS	3/8	8								40000055	
1/4 EXTERNAL TOOTH SS LW ZC	1/4	3		40000510							
Speciality											
WASHER NYLON .13 X .62 ID X 1.38OD	5/8	9									137147429

Genuine OEM Parts

1.800.233.4823

www.morganolsonparts.com

43



	Diameter	Fig.	Length									2-1/4"	2-1/2"	3"	
			.5	.625	.75	.875	1"	1-1/4"	1-1/2"	1-3/4"	2"				
18-8 Stainless															
PHILLIPS TRUSS M/S 18-8 SS	8 - 32	1		1117716											
PHILLIPS TRUSS M/S 18-8 SS	10 - 24	1	1117800	1117814	40300498					40300451					
PHILLIPS TRUSS M/S 18-8 SS	1/4 - 20	1			1117784					40300453	40300454				
PHILLIPS TRUSS M/S 18-8 SS	5/16 - 18	1			1117928										
PHILLIPS FLAT M/S 18-8 SS	10 - 32	2							1117830						
PHILLIPS FLAT M/S 18-8 SS	1/4 - 20	2			40300809				1117782				40300631		
PHILLIPS ROUND M/S 18-8 SS	10 - 24	6			1117209										
6 LOBE PAN T/C M/S 18-8 SS	1/4 - 20	9							1117815						
Standard Steel RoHS															
PHILLIPS ROUND M/S ZC/ROHS	8 - 32	6								1117839					
PHILLIPS PAN TEKS/3 ZC/ROHS	10 - 16	5			1117674										
PHILLIPS TRUSS M/S ZC/ROHS	10 - 24	1													1117793
PHILLIPS TRUSS M/S ZC/ROHS	10 - 32	1	1117723		1117688					1117715					
T/C - Thread Cutting															
PHIL PAN T/S TYPE A ZC	10	8								1117680					
PHIL TRUSS T/S TYPE A BLK	10	4								40300101					
PHIL PAN T/S TYPE A BLK	10	7								40300503					
PHIL PAN T/S TYPE A ZC	12	8			1117666										
6 LOBE PAN T/C	1/4 - 20	9			1117668					40300922		1117684			40300042



T/C Thread Cutting 6 Lobe Type A
Genuine OEM Parts

www.morganolsonparts.com

1.800.233.4823

Page #	Part #	Description	Qty	Unit
46	46010846	Wiring Harness Back Up Alarm 18"	1	EA
47	46025591	Wiring Harness Speakers	1	EA
48	46025623	Wiring Harness Pigtail Power/Speaker	1	EA
49	88117437	Wiring Harness Jumper Tee	1	EA
50	88117481	Wiring Harness Rocker Switch - Accessory	1	EA
51	88117510	Wiring Harness Jumper Rear 3-Way	1	EA
52	090086200	Wiring Harness Rear Wiring LH Back Panel	1	EA
53	090088320	Wiring Harness Jumper Y 2 Wire (Roof)	1	EA
54	090093202	Wiring Harness Jumper Cargo Dome Lamp	1	EA
55	092086205	Wiring Harness Rear Wiring RH Back Panel	1	EA
56-57	093093202	Wiring Harness Roof 17/20FT6IN	1	EA
58	093093205	Wiring Harness Transom Rear	1	EA
59	130092204	Wiring Harness License Plate Box	1	EA
60	140088200	Wiring Harness Jumper Y 2Wire X48"	1	EA
61-64	165084202	Wiring Harness Instrument Panel	1	EA
65-67	167391200	Wiring Harness Roof / Nose	1	EA
68	170087200	Wiring Harness Jumper SONAR Power	1	EA
69	205085201	Wiring Harness Hood	1	EA
70-71	205088202	Wiring Harness Wiper	1	EA
72-75	207084203	Wiring Harness Chassis Interface	1	EA
76	215088200	Wiring Harness Rear Jumper - Back Up	1	EA
77	46012046	Pigtail S/T/T LED Lamp	1	EA
77	46012049	Pigtail Back Up LED Lamp	1	EA
77	46024586	Cable - Camera to Monitor 50'	1	EA
77	48200137	Cable - Camera to Monitor 15'	1	EA

DRAWING NO.	REV	SHT
46010846		1 OF 1
DESCRIPTION		
RELEASE FOR PRODUCTION		
REV	CHK	DATE

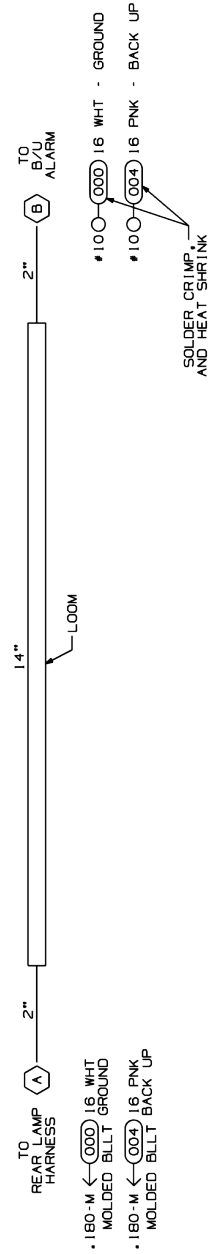
- VENDOR TO GREASE FEMALE BULLET TERMINALS.
- THIS IS A PURCHASED PART. ALL OF MATERIAL EXISTS.
- VENDOR MAY REPLACE WITH ANY EQUIVALENT APPROVED MOULDING IDEAS CONNECTORS - PICTUALS SHOWN IN TERMINAL VIEW.
- HARNESSES TO BE TESTED FOR CONTACT OPENING, SHORTS, AND CONTINUITY.
- CONNECTORS SHOWN FROM VIEW OTHER THAN TERMINAL VIEW UNLESS OTHERWISE NOTED.
- SPLICES TO BE AUTOMATED WITH SOLDER AND ADHESIVE LINED HEAT SHRINK TUBING.
- TAPE (L111098): 6" AT BREAKOUTS, 2" AT 18" INTERVALS FOR UNINTERRUPTED LOOM LENGTHS GREATER THAN 24", AND 2" AT LOOM ENDS.
- HARNESSES TO HAVE A LABEL SHOWING MORGAN OLSON PART NUMBER, REVISION LEVEL, AND DATE OF MANUFACTURE.
- SPLIT NYLON LOOM, BLACK NYLON GRIP TUBING, UNLESS OTHERWISE NOTED.

NOTES:

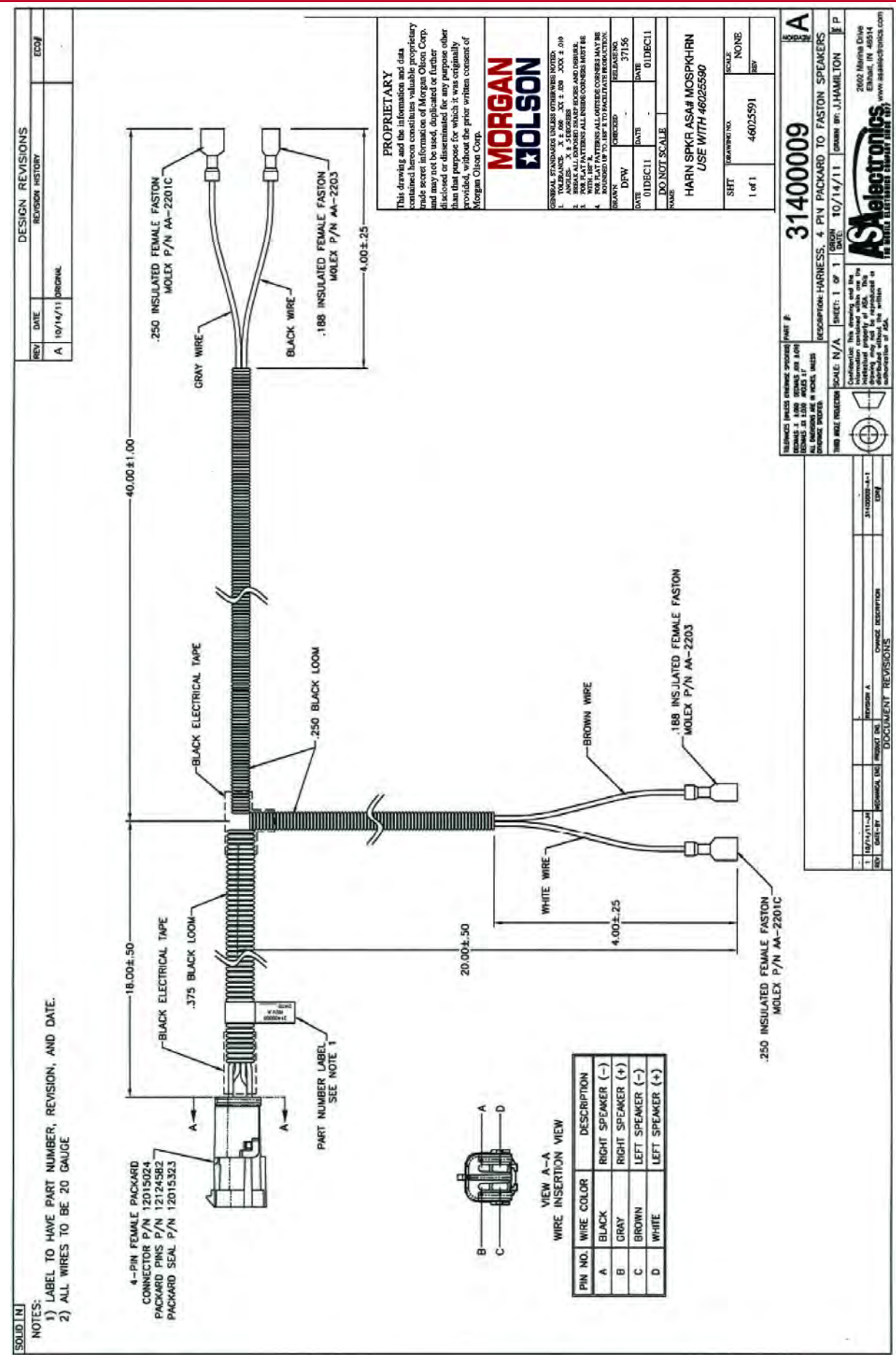
PROPRIETARY	
This drawing and the information and data contained hereon constitutes valuable proprietary information of Morgan Olson Corp. and its subsidiaries. It is to be used for the production of parts only and is not to be reproduced or disseminated in any form without the prior written consent of Morgan Olson Corp.	
MORGAN OLSON	
ORIGINAL STANDARD UNLESS OTHERWISE NOTED:	
1. DIMENSIONS - U.S. UNITS	UNLESS OTHERWISE NOTED
2. DIMENSIONS - METRIC UNITS	IN BRACKETED PARENTS
3. DIMENSIONS - ANGLES	UNLESS OTHERWISE NOTED
4. DIMENSIONS - ROUNDS	UNLESS OTHERWISE NOTED
DATE	04MAY10
CHK	30897
DATE	04MAY10
DO NOT SCALE	
NAME	
HARN ALM B/U 18"	
.18BELLT #10RG	
DRAWING NO.	46010846
SHT	1 OF 1
SCALE	NONE

HARNESSES AND LOOM TOLERANCES	
UP TO 60"	: -0/+2"
60" TO 100"	: -0/+4"
100" TO 200"	: -0/+5"
200" TO 400"	: -0/+6"
400" TO 600"	: -0/+7"
OVER 600"	: -0/+8"
BO TO 80"	: -0/+2"
LENGTHS APPLY FROM BREAKOUT TO BREAKOUT, OR BREAKOUT TO WIRE ENTRY POINT, OR END OF COVER, FOR, OR END OF COVER.	

FIRST USE:
JV000359
BACKLASH
46010846



- .180-M ← (000) 16 WHIT MOLDED BULLT GROUND
- .180-M ← (004) 16 PINK MOLDED BULLT BACK UP



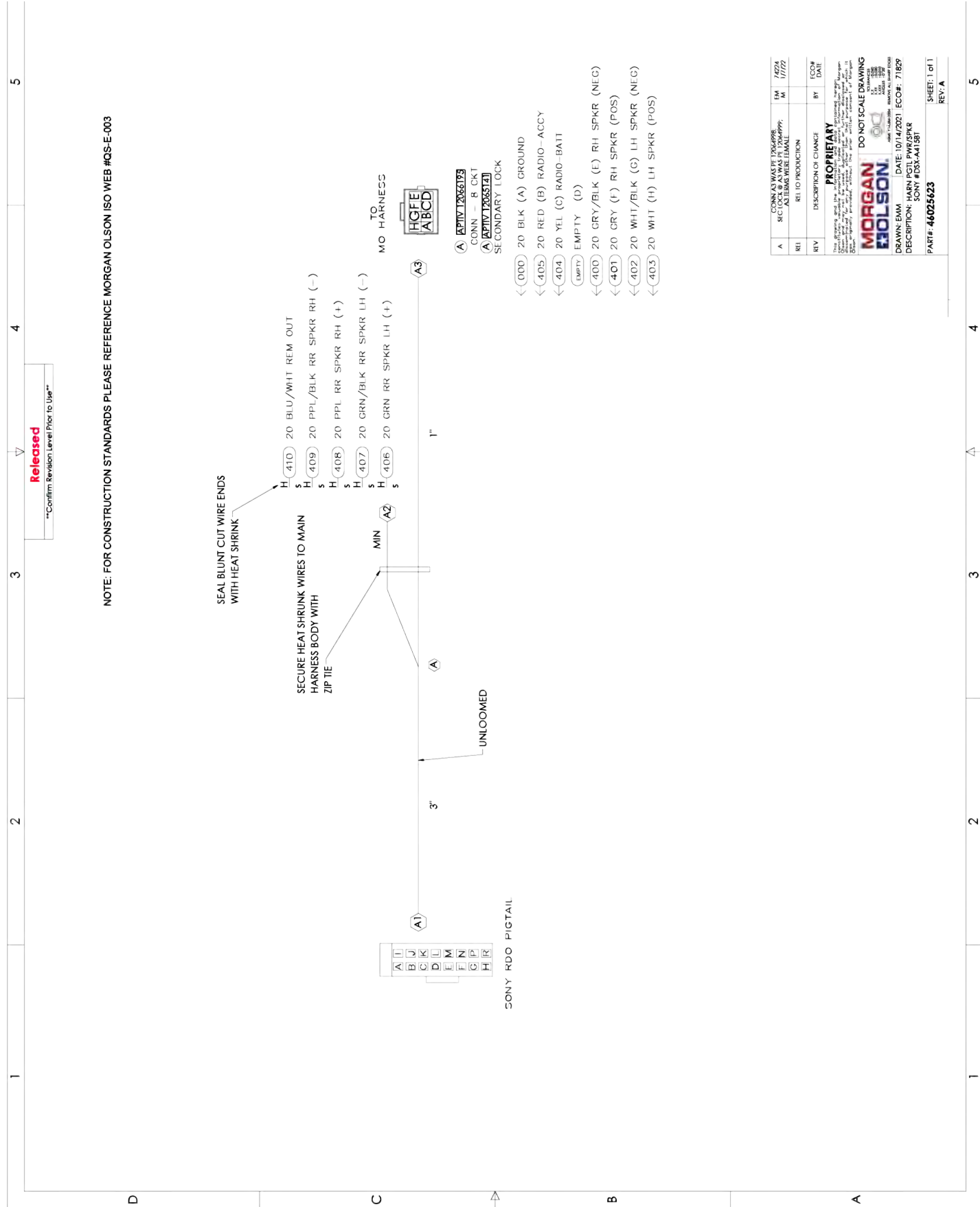
- NOTES:
- LABEL TO HAVE PART NUMBER, REVISION, AND DATE.
 - ALL WIRES TO BE 20 GAUGE

DESIGN REVISIONS	
REV	DATE
A	10/14/11 ORIGINAL
DESCRIPTION	
ECCJ	
PROPRIETARY	
This drawing and the information and data contained hereon constitutes valuable proprietary information of Morgan Olson Corp. and its subsidiaries. It is to be used for the production of parts only and is not to be reproduced or disseminated in any form without the prior written consent of Morgan Olson Corp.	
MORGAN OLSON	
GENERAL STANDARDS UNLESS OTHERWISE NOTED:	
1. DIMENSIONS - U.S. UNITS	UNLESS OTHERWISE NOTED
2. DIMENSIONS - METRIC UNITS	IN BRACKETED PARENTS
3. DIMENSIONS - ANGLES	UNLESS OTHERWISE NOTED
4. DIMENSIONS - ROUNDS	UNLESS OTHERWISE NOTED
DATE	01DEC11
CHK	37156
DATE	01DEC11
DO NOT SCALE	
NAME	
HARN SPKR ASAM MCSPKHRN	
USE WITH 46025591	
DRAWING NO.	46025591
SHT	1 OF 1
SCALE	NONE
REV	

PART NUMBER		31400009	
REVISION		A	
DATE		10/14/11	
DRAWN BY		J.HAMILTON	
CHECKED BY		P	
JOB NO.		2500	
MFG. NO.		46010846	
MFG. DATE			
MFG. PLANT		INDIANAPOLIS	
MFG. ORDER NO.			
MFG. ORDER DATE			
MFG. ORDER QTY			
MFG. ORDER UNIT			
MFG. ORDER UNIT PRICE			
MFG. ORDER TOTAL			



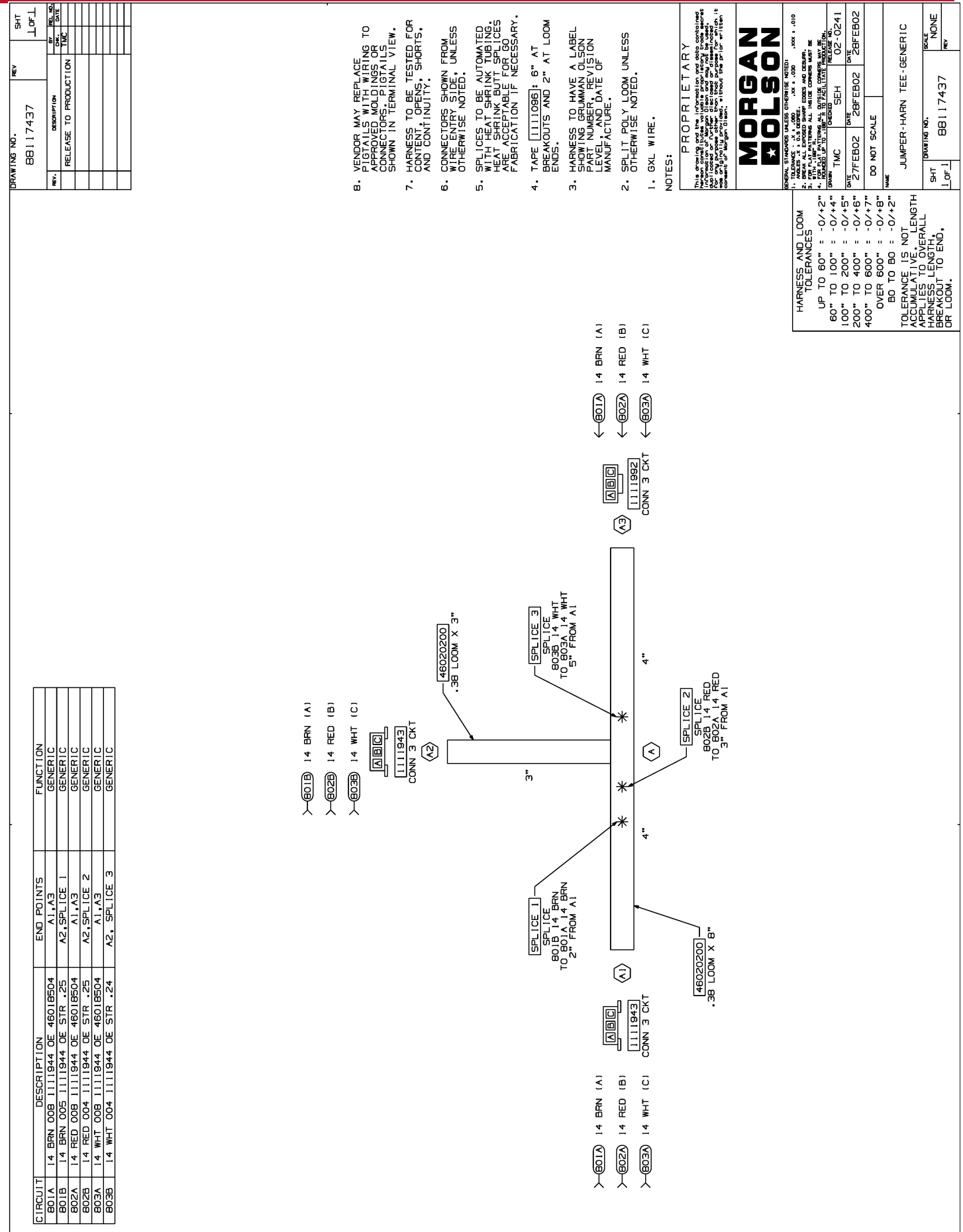
2500 Moline Drive
Elkhart, IN 46514
www.asaelectronics.com



NOTE: FOR CONSTRUCTION STANDARDS PLEASE REFERENCE MORGAN OLSON ISO WEB #OS-E-003

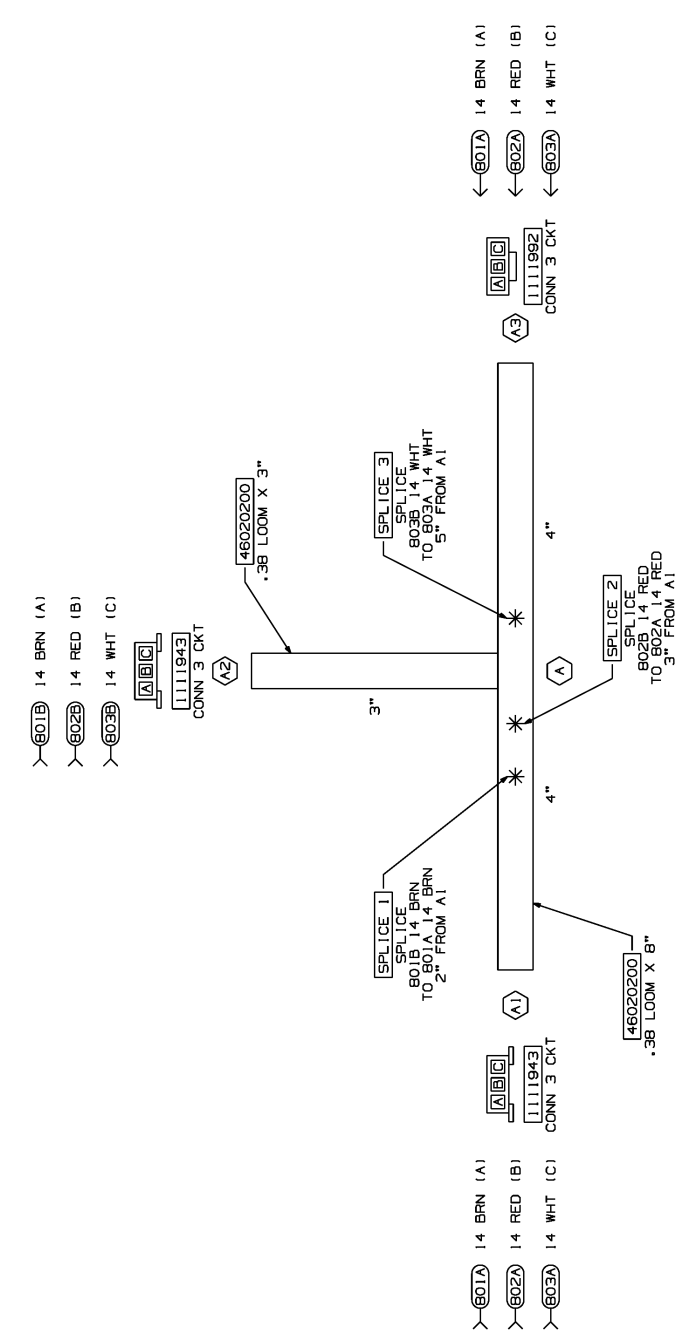
- <<(000) 20 BLK (A) GROUND
- <<(405) 20 RED (B) RADIO-ACCY
- <<(404) 20 YEL (C) RADIO-BAIT
- <<(EMPTY) EMPTY (D)
- <<(400) 20 GRY/BLK (E) RH SPKR (NEG)
- <<(401) 20 GRY (F) RH SPKR (POS)
- <<(402) 20 WHI/BLK (G) LH SPKR (NEG)
- <<(403) 20 WHI (H) LH SPKR (POS)

CONTRACT NO. 446025623	DATE: 10/14/2021	ECOR: 71829
DESCRIPTION: HARNESS FOR PWR/SPKR	SONY #53-A11581	
PART#: 446025623		
SHEET: 1 of 1		
REV: A		



CONTRACT NO. 446025623	DATE: 10/14/2021	ECOR: 71829
DESCRIPTION: HARNESS FOR PWR/SPKR	SONY #53-A11581	
PART#: 446025623		
SHEET: 1 of 1		
REV: A		

CIRCUIT	DESCRIPTION	END POINTS	FUNCTION
B01A	14 BRN 008 1111944 OE 4601B504	A1, A3	GENERIC
B01B	14 BRN 005 1111944 OE STR .25	A2, SPLICE 1	GENERIC
B02A	14 RED 008 1111944 OE 4601B504	A1, A3	GENERIC
B02B	14 RED 004 1111944 OE STR .25	A2, SPLICE 2	GENERIC
B03A	14 WHI 008 1111944 OE 4601B504	A1, A3	GENERIC
B03B	14 WHI 004 1111944 OE STR .24	A2, SPLICE 3	GENERIC



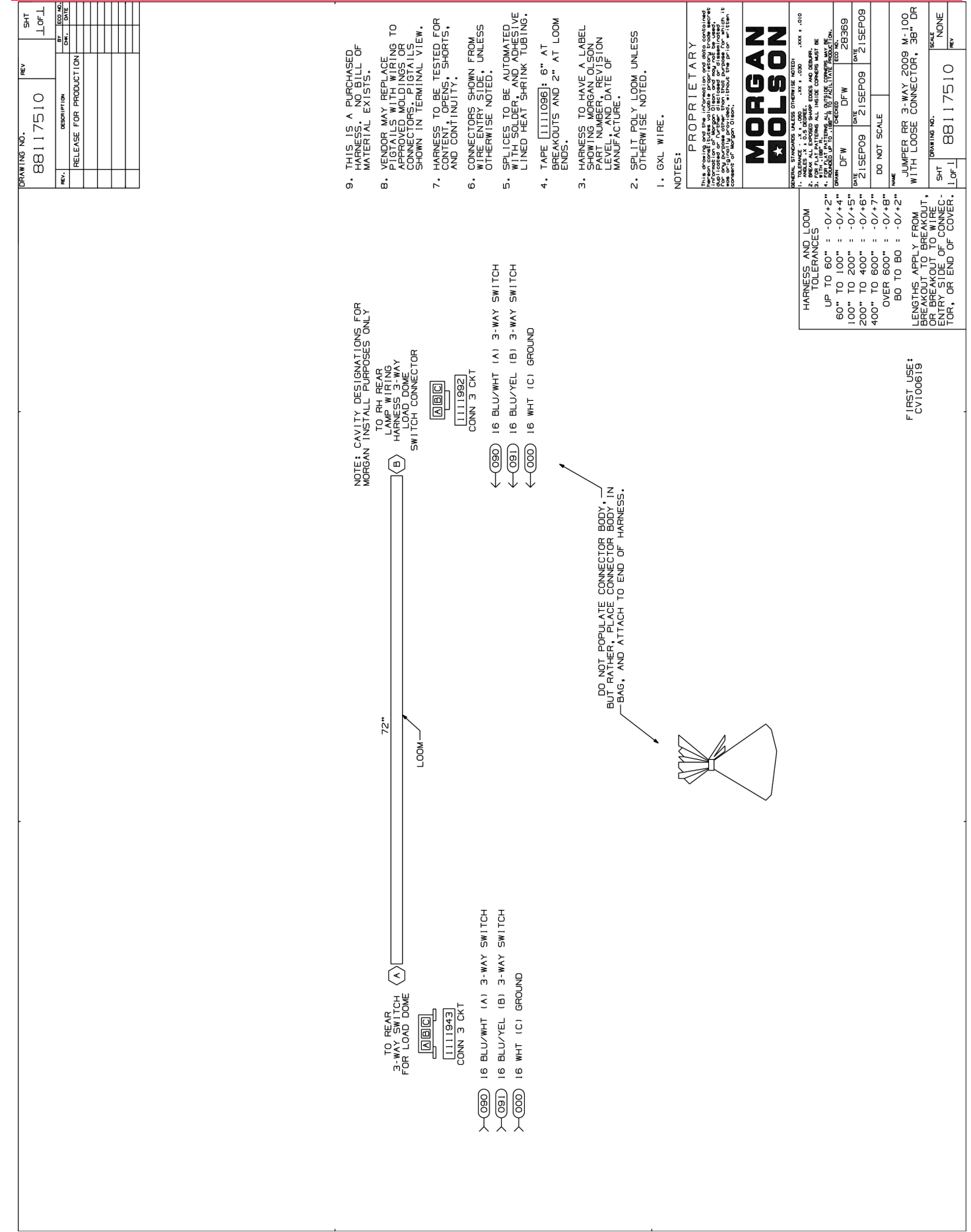
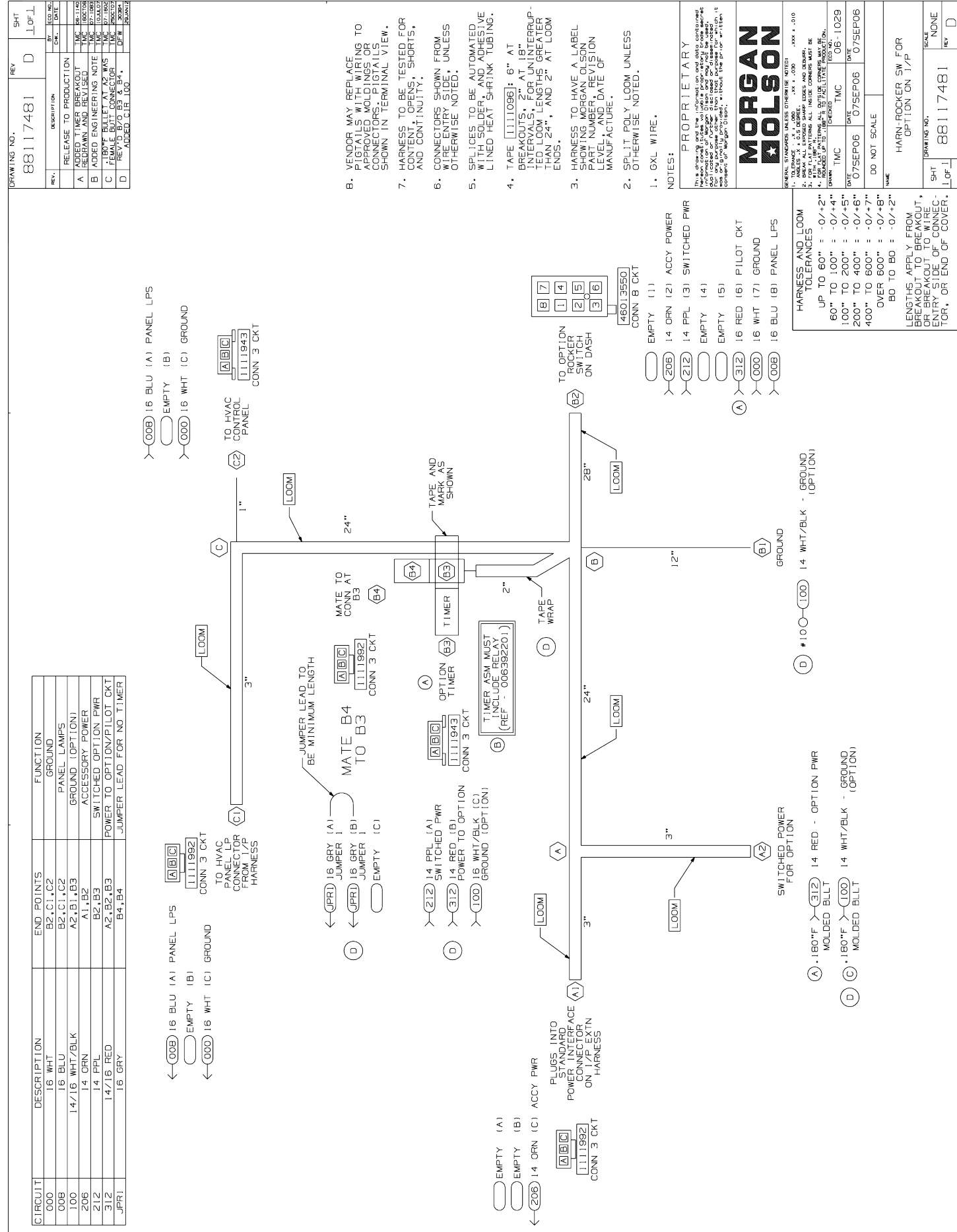
1. GXL WIRE.
2. SPLIT POLY LOOM UNLESS OTHERWISE NOTED.
3. HARNESSES MUST HAVE A LABEL SHOWING GEORGE MORGAN OLSON PART NUMBER, REVISION LEVEL, AND DATE OF MANUFACTURE.
4. TAPE [1111992]: 6" AT BREAKOUTS AND 2" AT LOOM ENDS.
5. SPLICES TO BE AUTOMATED WITH HEAT SHRINK TUBING. HEAT SHRINK BUTT SPLICES ARE ACCEPTABLE FOR GOOD FABRICATION IF NECESSARY.
6. CONNECTORS SHOWN FROM WIRE ENTRY SIDE, UNLESS OTHERWISE NOTED.
7. HARNESSES TO BE TESTED FOR CONTENT, OPENS, SHORTS, AND CONTINUITY.
8. VENDOR MAY REPLACE PIGTAILS WITH WIRING TO APPROVED MOLDINGS OR CONNECTORS. PIGTAILS SHOWN IN TERMINAL VIEW.

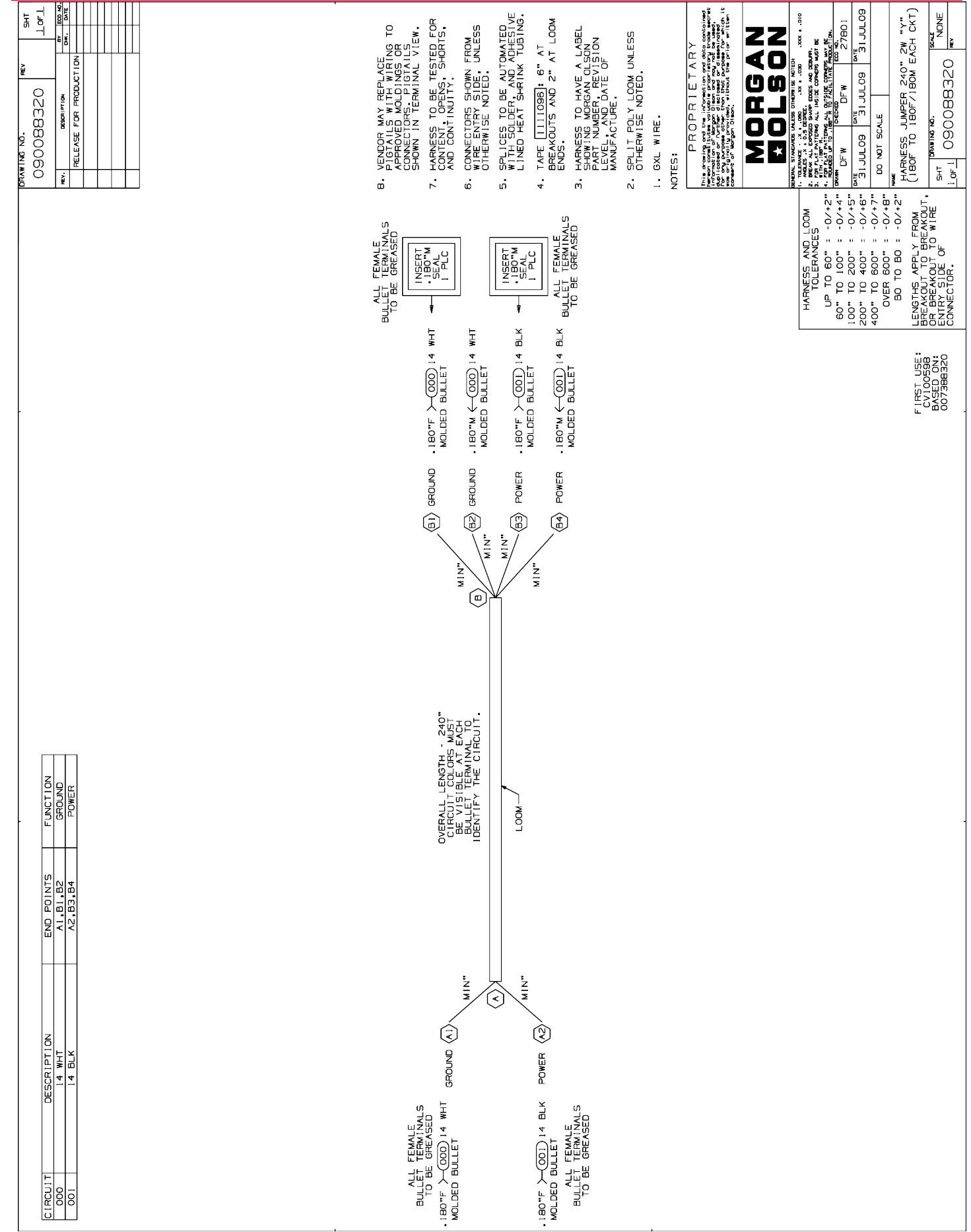
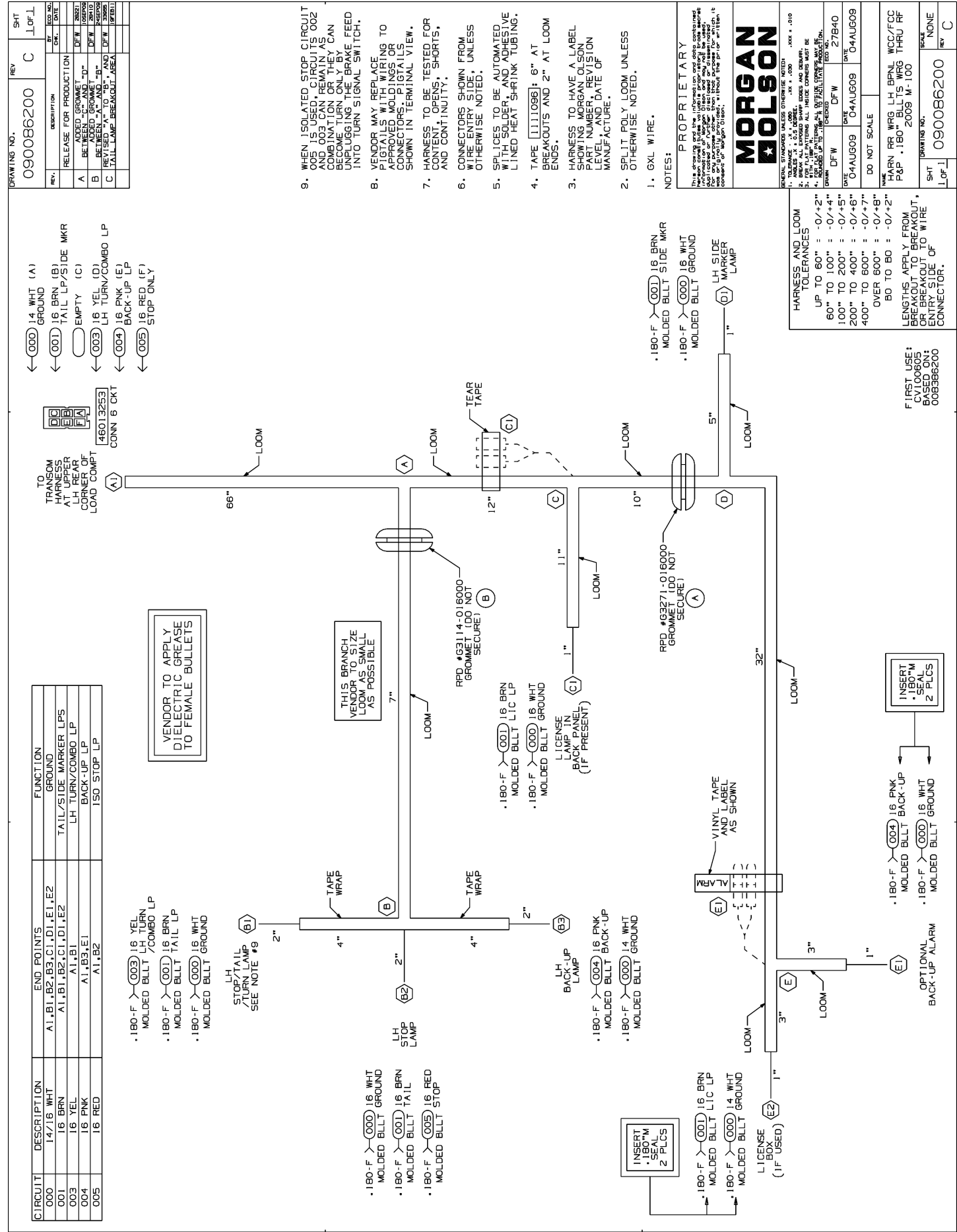
CONTRACT NO. 446025623	DATE: 10/14/2021	ECOR: 71829
DESCRIPTION: HARNESS FOR PWR/SPKR	SONY #53-A11581	
PART#: 446025623		
SHEET: 1 of 1		
REV: A		

HARNESSES AND LOOM TOLERANCES	
UP TO 60" = -0/+2"	
60" TO 100" = -0/+4"	
100" TO 200" = -0/+5"	
200" TO 400" = -0/+6"	
400" TO 600" = -0/+7"	
OVER 600" = -0/+8"	
BO TO BO = -0/+2"	
TOLERANCE IS NOT APPLICABLE TO OVERALL HARNESS LENGTH, BREAKOUT TO END, OR LOOM.	

CONTRACT NO. 446025623	DATE: 10/14/2021	ECOR: 71829
DESCRIPTION: HARNESS FOR PWR/SPKR	SONY #53-A11581	
PART#: 446025623		
SHEET: 1 of 1		
REV: A		

CONTRACT NO. 446025623	DATE: 10/14/2021	ECOR: 71829
DESCRIPTION: HARNESS FOR PWR/SPKR	SONY #53-A11581	
PART#: 446025623		
SHEET: 1 of 1		
REV: A		





DRAWING NO.	REV	SHT
090093202	A	1 OF 1
DESCRIPTION	BY	DATE
RELEASE FOR PRODUCTION		
A 80" WAS 84"	WTS	APPROX
	WEIGHT	

9. THIS IS A PURCHASED HARNESS. NO LIST OF MATERIAL EXISTS.
8. VENDOR MAY REPLACE SHOWN PARTS WITH APPROVED MOLDED OR CONNECTORS. PICTUALS SHOWN IN TERMINAL VIEW.
7. HARNESS TO BE TESTED FOR CONTENT OPENS, SHORTS, AND CONTINUITY.
6. CONNECTORS SHOWN FROM WIRE ENDORSY SHOW UNLESS OTHERWISE NOTED.
5. SPLICES TO BE AUTOMATED. TAIL SHEET SHINK TUBING LINED HEAT SHINK TUBING.
4. TAPE [1111096]: 6" AT BREAKOUTS, 2" AT 18" INTERVALS FOR UNINTERRUPTED LOOM LENGTHS GREATER THAN 24", AND 2" AT LOOM ENDS.
3. HARNESS TO HAVE A LABEL SHOWING MORGAN OLSON PART NUMBER, DATE OF MANUFACTURE.
2. SPLIT POLY LOOM UNLESS OTHERWISE NOTED.

NOTES:

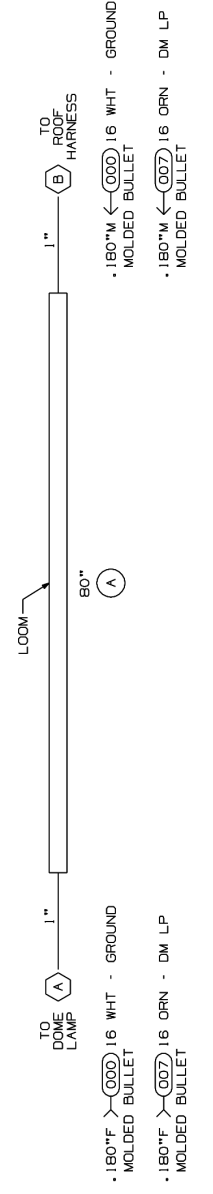
PROPRIETARY
This drawing and the information and data contained hereon are the property of Morgan Olson and are to be used only for the purpose intended. No part of this drawing may be reproduced or transmitted in any form or by any means, electronic or mechanical, including photocopying, recording, or by any information storage and retrieval system, without the prior written consent of Morgan Olson.



GENERAL STANDARD SALES OTHERWISE NOTED	
1. MATERIALS: A, B, C, D, E, F, G, H, I, J, K, L, M, N, O, P, Q, R, S, T, U, V, W, X, Y, Z, AA, AB, AC, AD, AE, AF, AG, AH, AI, AJ, AK, AL, AM, AN, AO, AP, AQ, AR, AS, AT, AU, AV, AW, AX, AY, AZ, BA, BB, BC, BD, BE, BF, BG, BH, BI, BJ, BK, BL, BM, BN, BO, BP, BQ, BR, BS, BT, BU, BV, BW, BX, BY, BZ, CA, CB, CC, CD, CE, CF, CG, CH, CI, CJ, CK, CL, CM, CN, CO, CP, CQ, CR, CS, CT, CU, CV, CW, CX, CY, CZ, DA, DB, DC, DD, DE, DF, DG, DH, DI, DJ, DK, DL, DM, DN, DO, DP, DQ, DR, DS, DT, DU, DV, DW, DX, DY, DZ, EA, EB, EC, ED, EE, EF, EG, EH, EI, EJ, EK, EL, EM, EN, EO, EP, EQ, ER, ES, ET, EU, EV, EW, EX, EY, EZ, FA, FB, FC, FD, FE, FF, FG, FH, FI, FJ, FK, FL, FM, FN, FO, FP, FQ, FR, FS, FT, FU, FV, FW, FX, FY, FZ, GA, GB, GC, GD, GE, GF, GG, GH, GI, GJ, GK, GL, GM, GN, GO, GP, GQ, GR, GS, GT, GU, GV, GW, GX, GY, GZ, HA, HB, HC, HD, HE, HF, HG, HH, HI, HJ, HK, HL, HM, HN, HO, HP, HQ, HR, HS, HT, HU, HV, HW, HX, HY, HZ, IA, IB, IC, ID, IE, IF, IG, IH, II, IJ, IK, IL, IM, IN, IO, IP, IQ, IR, IS, IT, IU, IV, IW, IX, IY, IZ, JA, JB, JC, JD, JE, JF, JG, JH, JI, JJ, JK, JL, JM, JN, JO, JP, JQ, JR, JS, JT, JU, JV, JW, JX, JY, JZ, KA, KB, KC, KD, KE, KF, KG, KH, KI, KJ, KK, KL, KM, KN, KO, KP, KQ, KR, KS, KT, KU, KV, KW, KX, KY, KZ, LA, LB, LC, LD, LE, LF, LG, LH, LI, LJ, LK, LL, LM, LN, LO, LP, LQ, LR, LS, LT, LU, LV, LW, LX, LY, LZ, MA, MB, MC, MD, ME, MF, MG, MH, MI, MJ, MK, ML, MM, MN, MO, MP, MQ, MR, MS, MT, MU, MV, MW, MX, MY, MZ, NA, NB, NC, ND, NE, NF, NG, NH, NI, NJ, NK, NL, NM, NO, NP, NQ, NR, NS, NT, NU, NV, NW, NX, NY, NZ, OA, OB, OC, OD, OE, OF, OG, OH, OI, OJ, OK, OL, OM, ON, OO, OP, OQ, OR, OS, OT, OU, OV, OW, OX, OY, OZ, PA, PB, PC, PD, PE, PF, PG, PH, PI, PJ, PK, PL, PM, PN, PO, PP, PQ, PR, PS, PT, PU, PV, PW, PX, PY, PZ, QA, QB, QC, QD, QE, QF, QG, QH, QI, QJ, QK, QL, QM, QN, QO, QP, QQ, QR, QS, QT, QU, QV, QW, QX, QY, QZ, RA, RB, RC, RD, RE, RF, RG, RH, RI, RJ, RK, RL, RM, RN, RO, RP, RQ, RR, RS, RT, RU, RV, RW, RX, RY, RZ, SA, SB, SC, SD, SE, SF, SG, SH, SI, SJ, SK, SL, SM, SN, SO, SP, SQ, SR, SS, ST, SU, SV, SW, SX, SY, SZ, TA, TB, TC, TD, TE, TF, TG, TH, TI, TJ, TK, TL, TM, TN, TO, TP, TQ, TR, TS, TT, TU, TV, TW, TX, TY, TZ, UA, UB, UC, UD, UE, UF, UG, UH, UI, UJ, UK, UL, UM, UN, UO, UP, UQ, UR, US, UT, UY, UZ, VA, VB, VC, VD, VE, VF, VG, VH, VI, VJ, VK, VL, VM, VN, VO, VP, VQ, VR, VS, VT, VU, VV, VW, VX, VY, VZ, WA, WB, WC, WD, WE, WF, WG, WH, WI, WJ, WK, WL, WM, WN, WO, WP, WQ, WR, WS, WT, WU, WV, WW, WX, WY, WZ, XA, XB, XC, XD, XE, XF, XG, XH, XI, XJ, XK, XL, XM, XN, XO, XP, XQ, XR, XS, XT, XU, XV, XW, XX, XY, XZ, YA, YB, YC, YD, YE, YF, YG, YH, YI, YJ, YK, YL, YM, YN, YO, YP, YQ, YR, YS, YT, YU, YV, YW, YX, YY, YZ, ZA, ZB, ZC, ZD, ZE, ZF, ZG, ZH, ZI, ZJ, ZK, ZL, ZM, ZN, ZO, ZP, ZQ, ZR, ZS, ZT, ZU, ZV, ZW, ZX, ZY, ZZ	
DATE	28818
DATE	260CT09
DO NOT SCALE	
NAME	HARN_LPR_CRG_D/LP
	GEN .180BLT
DRAWING NO.	
SCALE	NONE
SHT	1 OF 1
REV	A

HARNISS AND LOOM TOLERANCES
UP TO 60" : -0/+2"
60" TO 100" : -0/+4"
100" TO 200" : -0/+5"
200" TO 400" : -0/+6"
400" TO 600" : -0/+7"
OVER 600" : -0/+8"
80 TO 80 : -0/+2"
LENGTHS APPLY FROM BREAKOUT TO BREAKOUT, OR BREAKOUT TO WIRE ENTRY 3 INCH OF COVER, TOP, OR END OF COVER.

FIRST USE:
JV000311
BASED ON:
090096201
& 092086204



FEMALE TERMINALS TO BE GREASED

- .180 F 16 WHT - GROUND MOLDED BULLET
- .180 F 16 GRN - DM LP MOLDED BULLET

DRAWING NO.	REV	SHT
092086205	A	1 OF 1
DESCRIPTION	BY	DATE
RELEASE FOR PRODUCTION		
A TAIL LAMP - BREAKOUT AREA	WTS	APPROX
	WEIGHT	

9. WHEN ISOLATED STOP CIRCUIT 005 IS USED, CIRCUIT 002 CAN REMAIN AS COMBINATION OR CAN BECOME TURN ONLY BY INTO TURN SIGNAL SWITCH.
8. VENDOR MAY REPLACE SHOWN PARTS WITH APPROVED MOLDED OR CONNECTORS. PICTUALS SHOWN IN TERMINAL VIEW.
7. HARNESS TO BE TESTED FOR CONTENT OPENS, SHORTS, AND CONTINUITY.
6. CONNECTORS SHOWN FROM WIRE ENDORSY SHOW UNLESS OTHERWISE NOTED.
5. SPLICES TO BE AUTOMATED. TAIL SHEET SHINK TUBING LINED HEAT SHINK TUBING.
4. TAPE [1111096]: 6" AT BREAKOUTS, 2" AT 18" INTERVALS FOR UNINTERRUPTED LOOM LENGTHS GREATER THAN 24", AND 2" AT LOOM ENDS.
3. HARNESS TO HAVE A LABEL SHOWING MORGAN OLSON PART NUMBER, DATE OF MANUFACTURE.
2. SPLIT POLY LOOM UNLESS OTHERWISE NOTED.

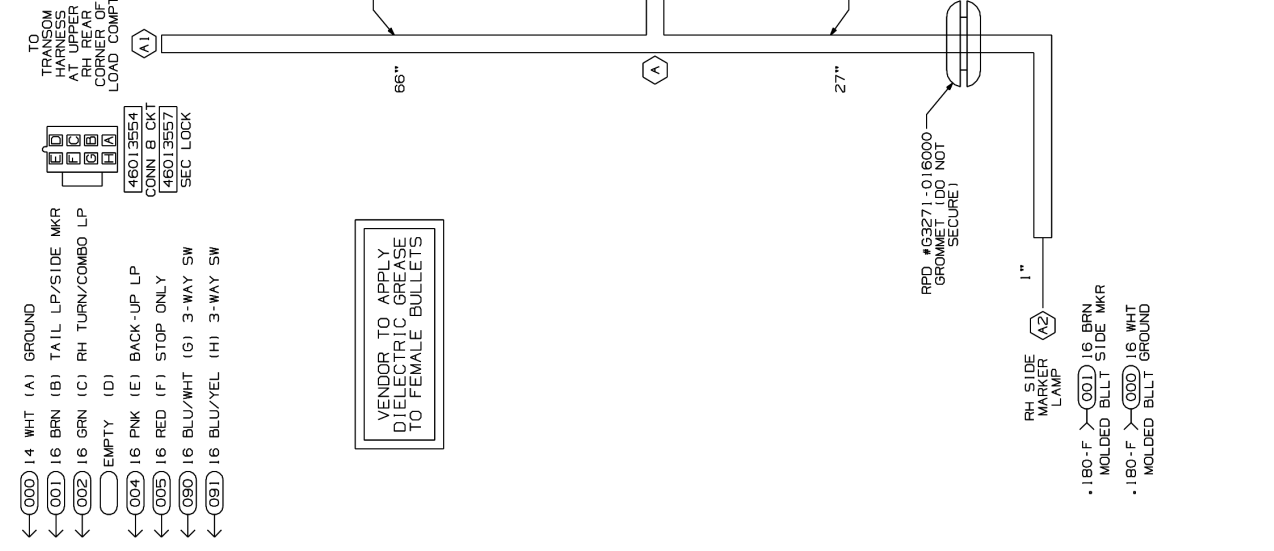
NOTES:

PROPRIETARY
This drawing and the information and data contained hereon are the property of Morgan Olson and are to be used only for the purpose intended. No part of this drawing may be reproduced or transmitted in any form or by any means, electronic or mechanical, including photocopying, recording, or by any information storage and retrieval system, without the prior written consent of Morgan Olson.



GENERAL STANDARD SALES OTHERWISE NOTED	
1. MATERIALS: A, B, C, D, E, F, G, H, I, J, K, L, M, N, O, P, Q, R, S, T, U, V, W, X, Y, Z, AA, AB, AC, AD, AE, AF, AG, AH, AI, AJ, AK, AL, AM, AN, AO, AP, AQ, AR, AS, AT, AU, AV, AW, AX, AY, AZ, BA, BB, BC, BD, BE, BF, BG, BH, BI, BJ, BK, BL, BM, BN, BO, BP, BQ, BR, BS, BT, BU, BV, BW, BX, BY, BZ, CA, CB, CC, CD, CE, CF, CG, CH, CI, CJ, CK, CL, CM, CN, CO, CP, CQ, CR, CS, CT, CU, CV, CW, CX, CY, CZ, DA, DB, DC, DD, DE, DF, DG, DH, DI, DJ, DK, DL, DM, DN, DO, DP, DQ, DR, DS, DT, DU, DV, DW, DX, DY, DZ, EA, EB, EC, ED, EE, EF, EG, EH, EI, EJ, EK, EL, EM, EN, EO, EP, EQ, ER, ES, ET, EU, EV, EW, EX, EY, EZ, FA, FB, FC, FD, FE, FF, FG, FH, FI, FJ, FK, FL, FM, FN, FO, FP, FQ, FR, FS, FT, FU, FV, FW, FX, FY, FZ, GA, GB, GC, GD, GE, GF, GG, GH, GI, GJ, GK, GL, GM, GN, GO, GP, GQ, GR, GS, GT, GU, GV, GW, GX, GY, GZ, HA, HB, HC, HD, HE, HF, HG, HH, HI, HJ, HK, HL, HM, HN, HO, HP, HQ, HR, HS, HT, HU, HV, HW, HX, HY, HZ, IA, IB, IC, ID, IE, IF, IG, IH, II, IJ, IK, IL, IM, IN, IO, IP, IQ, IR, IS, IT, IU, IV, IW, IX, IY, IZ, JA, JB, JC, JD, JE, JF, JG, JH, JI, JJ, JK, JL, JM, JN, JO, JP, JQ, JR, JS, JT, JU, JV, JW, JX, JY, JZ, KA, KB, KC, KD, KE, KF, KG, KH, KI, KJ, KK, KL, KM, KN, KO, KP, KQ, KR, KS, KT, KU, KV, KW, KX, KY, KZ, LA, LB, LC, LD, LE, LF, LG, LH, LI, LJ, LK, LL, LM, LN, LO, LP, LQ, LR, LS, LT, LU, LV, LW, LX, LY, LZ, MA, MB, MC, MD, ME, MF, MG, MH, MI, MJ, MK, ML, MM, MN, MO, MP, MQ, MR, MS, MT, MU, MV, MW, MX, MY, MZ, NA, NB, NC, ND, NE, NF, NG, NH, NI, NJ, NK, NL, NM, NO, NP, NQ, NR, NS, NT, NU, NV, NW, NX, NY, NZ, OA, OB, OC, OD, OE, OF, OG, OH, OI, OJ, OK, OL, OM, ON, OO, OP, OQ, OR, OS, OT, OU, OV, OW, OX, OY, OZ, PA, PB, PC, PD, PE, PF, PG, PH, PI, PJ, PK, PL, PM, PN, PO, PP, PQ, PR, PS, PT, PU, PV, PW, PX, PY, PZ, QA, QB, QC, QD, QE, QF, QG, QH, QI, QJ, QK, QL, QM, QN, QO, QP, QQ, QR, QS, QT, QU, QV, QW, QX, QY, QZ, RA, RB, RC, RD, RE, RF, RG, RH, RI, RJ, RK, RL, RM, RN, RO, RP, RQ, RR, RS, RT, RU, RV, RW, RX, RY, RZ, SA, SB, SC, SD, SE, SF, SG, SH, SI, SJ, SK, SL, SM, SN, SO, SP, SQ, SR, SS, ST, SU, SV, SW, SX, SY, SZ, TA, TB, TC, TD, TE, TF, TG, TH, TI, TJ, TK, TL, TM, TN, TO, TP, TQ, TR, TS, TT, TU, TV, TW, TX, TY, TZ, UA, UB, UC, UD, UE, UF, UG, UH, UI, UJ, UK, UL, UM, UN, UO, UP, UQ, UR, US, UT, UY, UZ, VA, VB, VC, VD, VE, VF, VG, VH, VI, VJ, VK, VL, VM, VN, VO, VP, VQ, VR, VS, VT, VU, VV, VW, VX, VY, VZ, WA, WB, WC, WD, WE, WF, WG, WH, WI, WJ, WK, WL, WM, WN, WO, WP, WQ, WR, WS, WT, WU, WV, WW, WX, WY, WZ, XA, XB, XC, XD, XE, XF, XG, XH, XI, XJ, XK, XL, XM, XN, XO, XP, XQ, XR, XS, XT, XU, XV, XW, XX, XY, XZ, YA, YB, YC, YD, YE, YF, YG, YH, YI, YJ, YK, YL, YM, YN, YO, YP, YQ, YR, YS, YT, YU, YV, YW, YX, YY, YZ, ZA, ZB, ZC, ZD, ZE, ZF, ZG, ZH, ZI, ZJ, ZK, ZL, ZM, ZN, ZO, ZP, ZQ, ZR, ZS, ZT, ZU, ZV, ZW, ZX, ZY, ZZ	
DATE	
DO NOT SCALE	
NAME	HARN RR WRG RH BPNL
	2009 CFF NON D/LR
DRAWING NO.	
SCALE	NONE
SHT	1 OF 1
REV	A

CIRCUIT	DESCRIPTION	END POINTS	FUNCTION
000	14/16 WHT	A1, A2, B1, C1, C2, C3	GROUND
001	16 BRN	A1, A2, C1, C2	TAIL/SIDE MARKER LPS
002	16 GRN	A1, C1	RH TURN/COMBO LP
004	16 PNK	A1, C3	BACK-UP LP
005	16 RED	A1, C2	150 STOP LP
090	16 BLU/WHY	A1, B1	3-WAY SWITCH
091	16 BLU/YEL	A1, B1	3-WAY SWITCH



VENDOR TO APPLY DIELECTRIC GREASE TO FEMALE BULLETS

FIRST USE:
JV000311
BASED ON:
090096201
& 092086204

HARNISS AND LOOM TOLERANCES
UP TO 60" : -0/+2"
60" TO 100" : -0/+4"
100" TO 200" : -0/+5"
200" TO 400" : -0/+6"
400" TO 600" : -0/+7"
OVER 600" : -0/+8"
80 TO 80 : -0/+2"
LENGTHS APPLY FROM BREAKOUT TO BREAKOUT, OR BREAKOUT TO WIRE ENTRY 3 INCH OF COVER, TOP, OR END OF COVER.

DRAWING NO.	REV	SHT
093093202	B	1 of 2
REV.	DESCRIPTION	BY
A	RELEASE TO PRODUCTION	CHK.
B	REV'D DM LP B/O'S	DATE
	REV'D DM LP B/O'S	DATE
	REV'D DM LP B/O'S	DATE

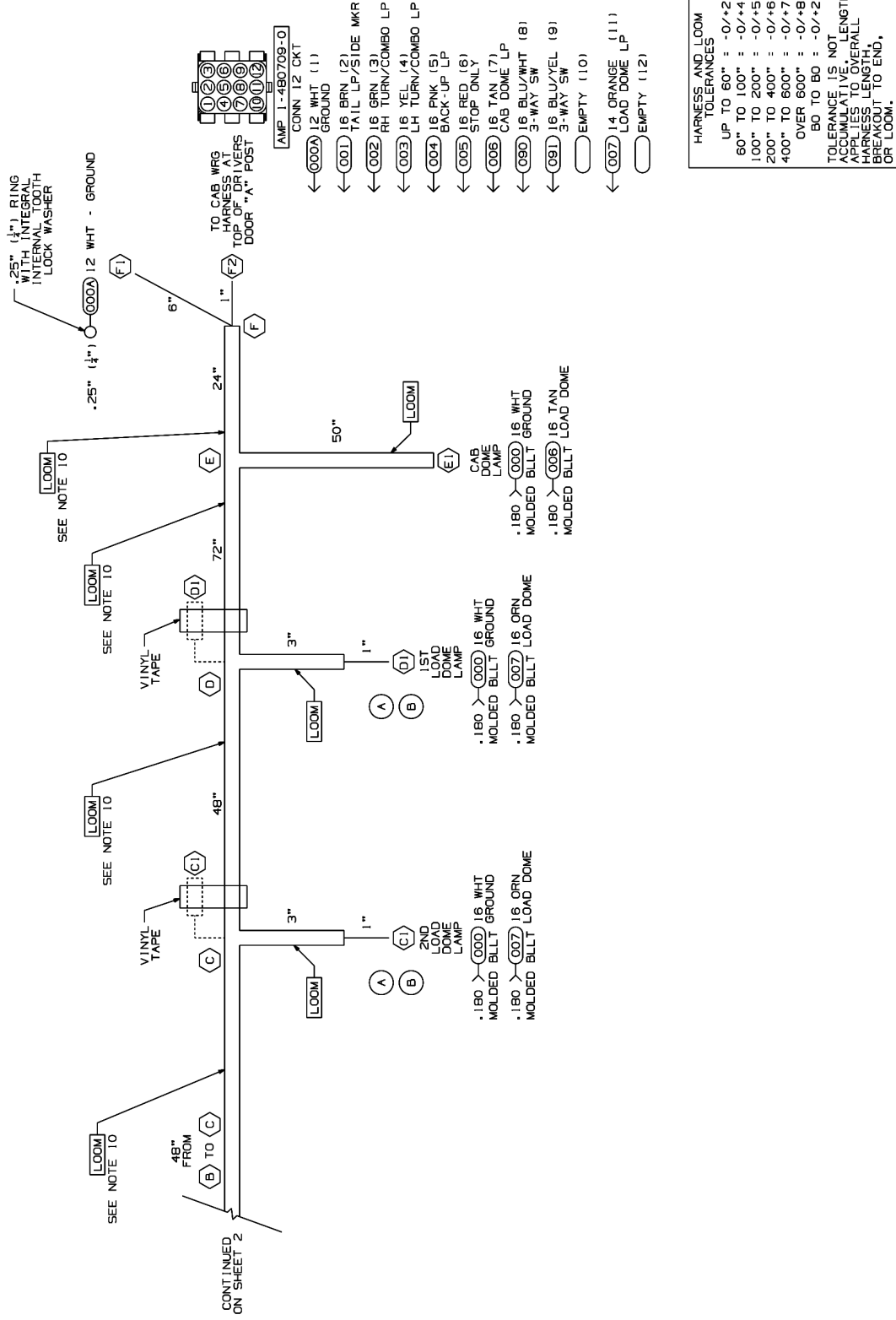
10. MAIN TRUNK OF HARNESS MUST FIT IN A .75 DIA. WIRE CHANNEL
9. THIS IS A PURCHASED HARNESS. NO BILL OF MATERIAL EXISTS.
8. VENDOR MAY REPLACE PIGTAILS WITH WIRING TO APPROVED MOLDINGS OR CONNECTORS. PIGTAILS SHOWN IN TERMINAL VIEW.
7. HARNESS TO BE TESTED FOR CONTENT, OPENS, SHORTS, AND CONTINUITY.
6. CONNECTORS SHOWN FROM THE ENTRY SIDE, UNLESS OTHERWISE NOTED.
5. SPLICES TO BE AUTOMATED WITH HEAT SHRINK TUBING. HEAT SHRINK TUBING IS NOT ACCEPTABLE FOR M-Q FABRICATION IF NECESSARY.
4. TAPE [1111096]: 6" AT BREAKOUTS AND 2" AT LOOM ENDS.
3. HARNESS TO HAVE A LABEL SHOWING MORGAN OLSON PART NUMBER, REVISION LEVEL, AND DATE OF MANUFACTURE.
2. SPLIT POLY LOOM UNLESS OTHERWISE NOTED.
1. GXL WIRE.

NOTES:

PROPRIETARY
This drawing and the information and data contained hereon are the property of Morgan Olson and are to be used only for the purposes intended. It is not to be reproduced, stored in a retrieval system, or transmitted in any form or by any means, without the prior written consent of Morgan Olson.



DATE	14APR08	DATE	07-18F5B
DO NOT SCALE			
NAME	HARN ROOF 17'-20'6"	SCALE	NONE
	M100 TRUCK .180F BLLT	REV	B
SHT	093093202		
REV	2 of 2		



HARNISS AND LOOM TOLERANCES

UP TO 60"	: -0/+2"
60" TO 100"	: -0/+4"
100" TO 200"	: -0/+5"
200" TO 400"	: -0/+6"
400" TO 800"	: -0/+7"
OVER 800"	: -0/+8"

BO TO BO : -0/+2"

TOLERANCE IS NOT ACCUMULATIVE. LENGTH APPLIES TO OVERALL HARNESS LENGTH, BREAKOUT TO END, OR LOOM.

DRAWING NO.	REV	SHT
093093202	B	2 of 2
REV.	DESCRIPTION	BY
A	RELEASE TO PRODUCTION	CHK.
B	REV'D DM LP B/O'S	DATE
	REV'D DM LP B/O'S	DATE
	REV'D DM LP B/O'S	DATE

10. MAIN TRUNK OF HARNESS MUST FIT IN A .75 DIA. WIRE CHANNEL
9. THIS IS A PURCHASED HARNESS. NO BILL OF MATERIAL EXISTS.
8. VENDOR MAY REPLACE PIGTAILS WITH WIRING TO APPROVED MOLDINGS OR CONNECTORS. PIGTAILS SHOWN IN TERMINAL VIEW.
7. HARNESS TO BE TESTED FOR CONTENT, OPENS, SHORTS, AND CONTINUITY.
6. CONNECTORS SHOWN FROM THE ENTRY SIDE, UNLESS OTHERWISE NOTED.
5. SPLICES TO BE AUTOMATED WITH HEAT SHRINK TUBING. HEAT SHRINK TUBING IS NOT ACCEPTABLE FOR M-Q FABRICATION IF NECESSARY.
4. TAPE [1111096]: 6" AT BREAKOUTS AND 2" AT LOOM ENDS.
3. HARNESS TO HAVE A LABEL SHOWING MORGAN OLSON PART NUMBER, REVISION LEVEL, AND DATE OF MANUFACTURE.
2. SPLIT POLY LOOM UNLESS OTHERWISE NOTED.
1. GXL WIRE.

NOTES:

PROPRIETARY
This drawing and the information and data contained hereon are the property of Morgan Olson and are to be used only for the purposes intended. It is not to be reproduced, stored in a retrieval system, or transmitted in any form or by any means, without the prior written consent of Morgan Olson.



DATE	14APR08	DATE	07-18F5B
DO NOT SCALE			
NAME	HARN ROOF 17'-20'6"	SCALE	NONE
	M100 TRUCK .180F BLLT	REV	B
SHT	093093202		
REV	2 of 2		

HARNISS AND LOOM TOLERANCES

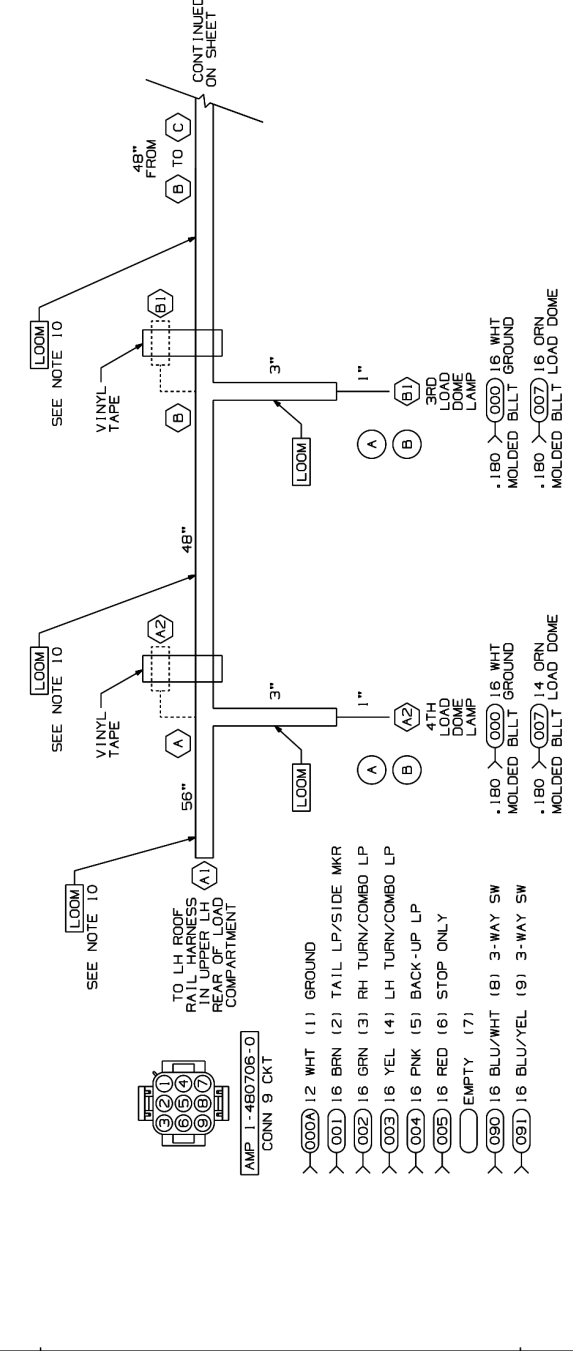
UP TO 60"	: -0/+2"
60" TO 100"	: -0/+4"
100" TO 200"	: -0/+5"
200" TO 400"	: -0/+6"
400" TO 800"	: -0/+7"
OVER 800"	: -0/+8"

BO TO BO : -0/+2"

TOLERANCE IS NOT ACCUMULATIVE. LENGTH APPLIES TO OVERALL HARNESS LENGTH, BREAKOUT TO END, OR LOOM.

SPLICE 1
000A 12 WHT IS TO BE USED IN THE CIRCULAR VENDOR TO DETERMINE LOCATION(S)

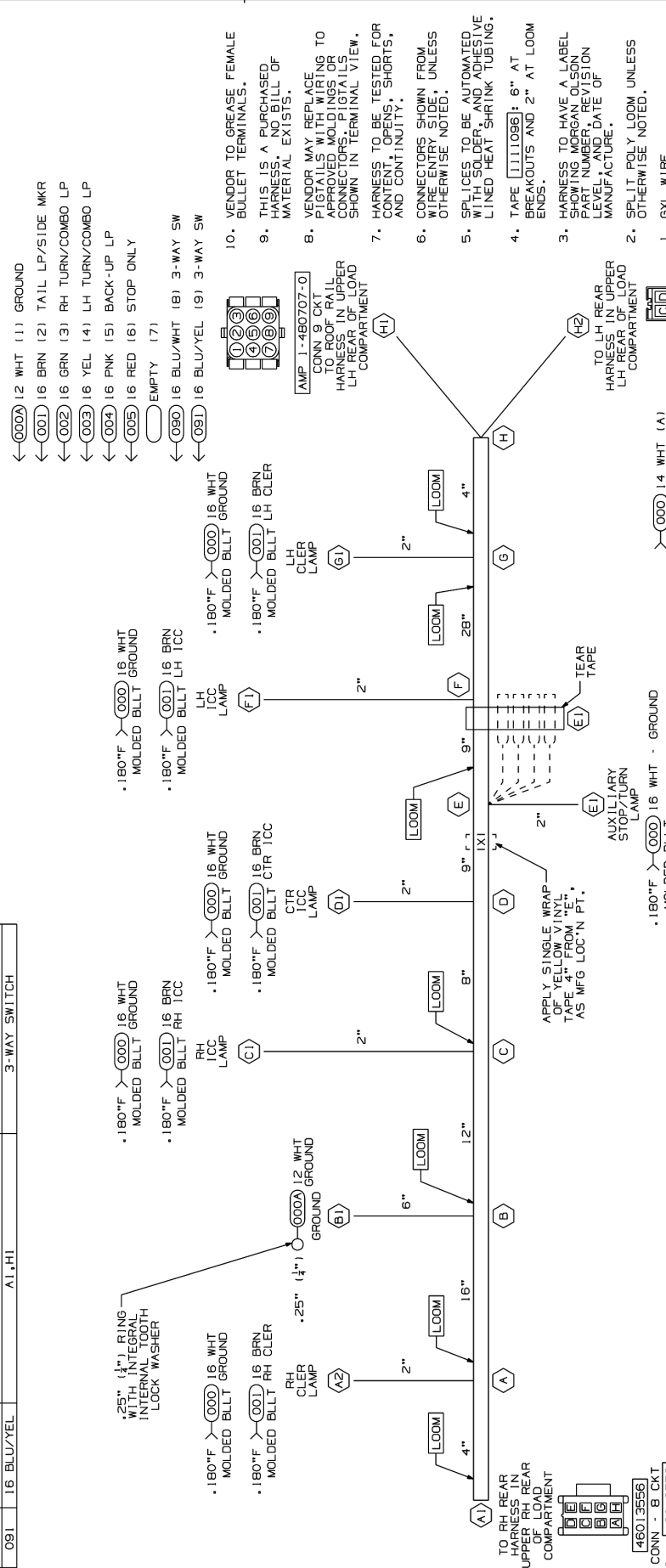
CIRCUIT	DESCRIPTION	END POINTS	FUNCTION
000A	12 WHT	A1,F1,F2,SPLICE 1	GROUND
000	14/16 WHT	A2,B1,C1,D1,E1,SPLICE 1	GROUND
001	16 BRN	A1,F2	CLERK/100 LPS
002	16 GRN	A1,F2	RH TURN LP
003	16 YEL	A1,F2	LH TURN LP
004	16 PNK	A1,F2	BACK-UP LPS
005	16 RED	A1,F2	STOP LPS
006	16 TAN	E1,F2	CAB DOME LP
007	14/16 ORN	A2,B1,C1,D1,F2	LOAD DOME LAMPS
090	16 BLU/WHT	A1,F2	3-WAY SWITCH - LOAD DMS
091	16 BLU/YEL	A1,F2	3-WAY SWITCH - LOAD DMS



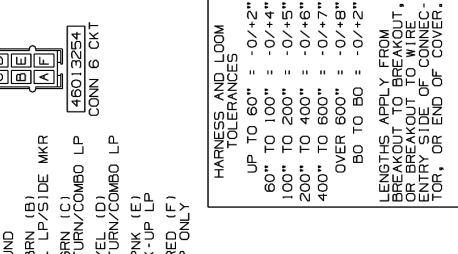
DRAWING NO.	REV	SHT
093093205	B	1 of 1
REV.	DESCRIPTION	BY
A	RELEASE TO PRODUCTION	DATE
B	REDRAWN & REVISED	DATE
	ADDED SIGNAL DOZ TO CONNECTOR AT H2	DATE

SPLICE 1
000A 12 WHT IS TO BE SPLICED TO THE 000 WHT CIRCUIT. VENDOR TO DETERMINE LOCATION(S)

CIRCUIT DESCRIPTION	END POINTS	FUNCTION
000A	A1, B1, H1, SPLICE 1	GROUND
000	A2, C1, D1, E1, F1, G1, H2, SPLICE 1	GROUND
001	A1, A2, C1, D1, F1, G1, H1, H2	CLER/ICC/MARKER LAMPS
002	A1, E1, H1, H2	RH TURN/COMBO LP
003	E1, H1, H2	LH TURN/COMBO LP
004	A1, H1, H2	BACK-UP LAMPS
005	A1, E1, H1, H2	STOP ONLY LAMPS
090	A1, H1	3-WAY SWITCH
091	A1, H1	3-WAY SWITCH



000A	12 WHT (1) GROUND
0001	16 BRN (2) TAIL LP/SIDE MKR
0002	16 GRN (3) RH TURN/COMBO LP
0003	16 YEL (4) LH TURN/COMBO LP
0004	16 PNK (5) BACK-UP LP
0005	16 RED (6) STOP ONLY
0006	EMPTY (7)
0007	16 BLU/WHT (8) 3-WAY SW
0008	16 BLU/YEL (9) 3-WAY SW



0000	14 WHT (A) GROUND
0001	16 BRN (B) TAIL LP/SIDE MKR
0002	16 GRN (C) RH TURN/COMBO LP
0003	16 YEL (D) LH TURN/COMBO LP
0004	16 PNK (E) BACK-UP LP
0005	16 RED (F) STOP ONLY

0000	16 WHT - GROUND
0001	16 GRN - RH TURN/COMBO LP
0002	16 YEL - LH TURN/COMBO LP
0003	16 RED - STOP ONLY

0000	16 WHT - GROUND
0001	16 BRN - RH TURN/COMBO LP
0002	16 YEL - LH TURN/COMBO LP
0003	16 RED - STOP ONLY

0000	12 WHT (A) GROUND
0001	16 BRN (B) TAIL LP/SIDE MKR
0002	16 GRN (C) RH TURN/COMBO LP
0003	16 YEL (D) LH TURN/COMBO LP
0004	16 PNK (E) BACK-UP LP
0005	16 RED (F) STOP ONLY
0006	16 BLU/WHT (G) 3-WAY SW
0007	16 BLU/YEL (H) 3-WAY SW

0000	12 WHT (1) GROUND
0001	16 BRN (2) TAIL LP/SIDE MKR
0002	16 GRN (3) RH TURN/COMBO LP
0003	16 YEL (4) LH TURN/COMBO LP
0004	16 PNK (5) BACK-UP LP
0005	16 RED (6) STOP ONLY
0006	16 BLU/WHT (G) 3-WAY SW
0007	16 BLU/YEL (H) 3-WAY SW

DATE	TJM	DATE	26836
DATE	06APR09	DATE	06APR09
DO NOT SCALE			
NAME	HARNESSTRANSOM		
	CHMSL READY - 180F BLTT		
DRAWING NO.	093093205		
SHT	NONE		
REV	B		

HARNESSTRANSOM	SCALE	NONE	
CHMSL READY - 180F BLTT	DRAWING NO.	093093205	
DO NOT SCALE	SHT	NONE	
DATE	26836	REV	B

HARNESSTRANSOM	SCALE	NONE	
CHMSL READY - 180F BLTT	DRAWING NO.	093093205	
DO NOT SCALE	SHT	NONE	
DATE	26836	REV	B

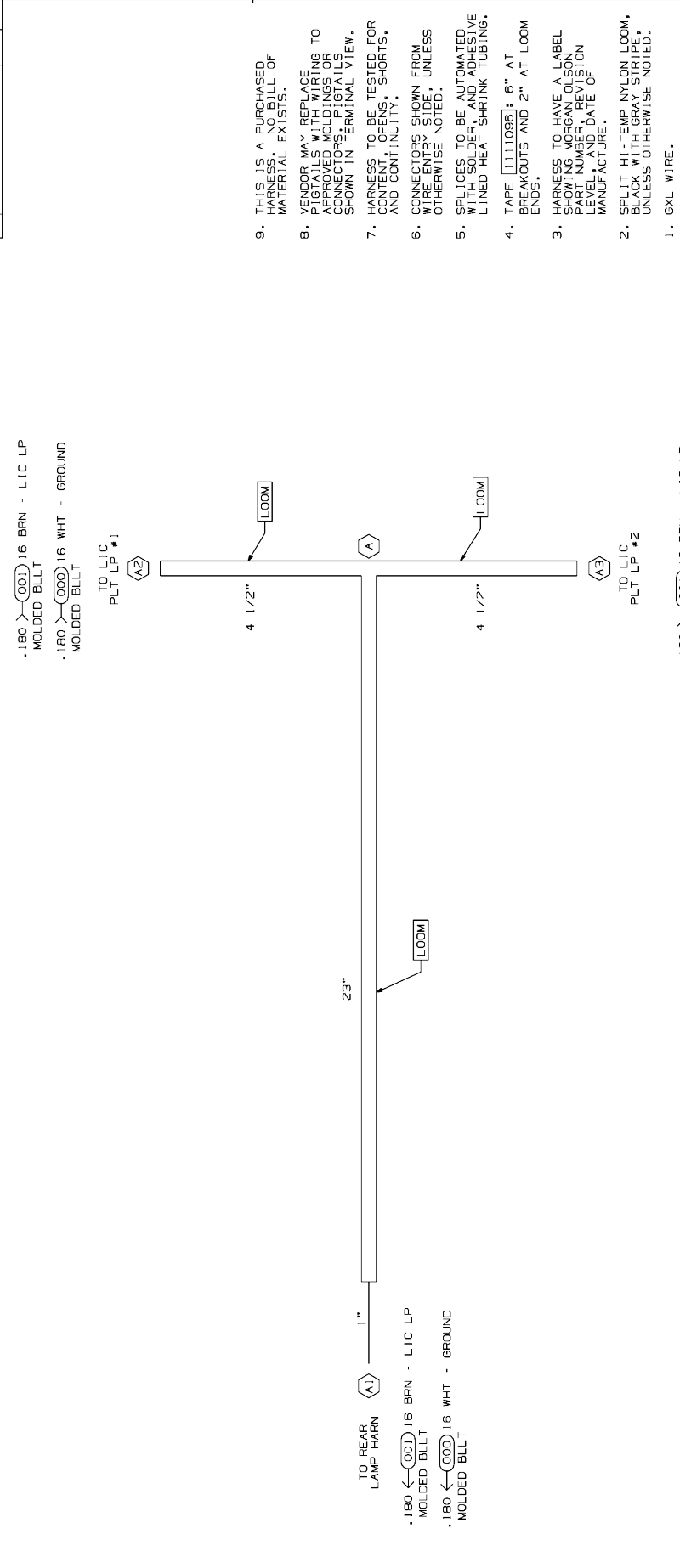
HARNESSTRANSOM	SCALE	NONE	
CHMSL READY - 180F BLTT	DRAWING NO.	093093205	
DO NOT SCALE	SHT	NONE	
DATE	26836	REV	B

HARNESSTRANSOM	SCALE	NONE	
CHMSL READY - 180F BLTT	DRAWING NO.	093093205	
DO NOT SCALE	SHT	NONE	
DATE	26836	REV	B

HARNESSTRANSOM	SCALE	NONE	
CHMSL READY - 180F BLTT	DRAWING NO.	093093205	
DO NOT SCALE	SHT	NONE	
DATE	26836	REV	B

HARNESSTRANSOM	SCALE	NONE	
CHMSL READY - 180F BLTT	DRAWING NO.	093093205	
DO NOT SCALE	SHT	NONE	
DATE	26836	REV	B

DRAWING NO.	REV	SHT
130092204		1 of 1
REV.	DESCRIPTION	BY
	RELEASE FOR PRODUCTION	DATE



000	16 WHT - GROUND
001	16 BRN - L1C LP
002	16 WHT - GROUND

000	16 WHT - GROUND
001	16 BRN - L1C LP
002	16 WHT - GROUND

000	16 WHT - GROUND
001	16 BRN - L1C LP
002	16 WHT - GROUND

000	16 WHT - GROUND
001	16 BRN - L1C LP
002	16 WHT - GROUND

000	16 WHT - GROUND
001	16 BRN - L1C LP
002	16 WHT - GROUND

000	16 WHT - GROUND
001	16 BRN - L1C LP
002	16 WHT - GROUND

DATE	TJM	DATE	26836
DATE	06APR09	DATE	06APR09
DO NOT SCALE			
NAME	HARNESSTRANSOM		
	CHMSL READY - 180F BLTT		
DRAWING NO.	093093205		
SHT	NONE		
REV	B		

HARNESSTRANSOM	SCALE	NONE	
CHMSL READY - 180F BLTT	DRAWING NO.	093093205	
DO NOT SCALE	SHT	NONE	
DATE	26836	REV	B

HARNESSTRANSOM	SCALE	NONE	
CHMSL READY - 180F BLTT	DRAWING NO.	093093205	
DO NOT SCALE	SHT	NONE	
DATE	26836	REV	B

HARNESSTRANSOM	SCALE	NONE	
CHMSL READY - 180F BLTT	DRAWING NO.	093093205	
DO NOT SCALE	SHT	NONE	
DATE	26836	REV	B

HARNESSTRANSOM	SCALE	NONE	
CHMSL READY - 180F BLTT	DRAWING NO.	093093205	
DO NOT SCALE	SHT	NONE	
DATE	26836	REV	B

HARNESSTRANSOM	SCALE	NONE	
CHMSL READY - 180F BLTT	DRAWING NO.	093093205	
DO NOT SCALE	SHT	NONE	
DATE	26836	REV	B

HARNESSTRANSOM	SCALE	NONE	
CHMSL READY - 180F BLTT	DRAWING NO.	093093205	
DO NOT SCALE	SHT	NONE	
DATE	26836	REV	B

REV	DESCRIPTION	DATE	BY	CHKD	REV
14008B200	RELEASE TO PRODUCTION				

SHT	1 OF 1
-----	--------

CIRCUIT	DESCRIPTION	END POINTS	FUNCTION
000	16 WHT	A1, B1, B2	GROUND
001	16 BLK	A2, B3, B4	POWER

REV	DESCRIPTION	DATE	BY	CHKD	REV
14008B200	RELEASE TO PRODUCTION				

SHT	1 OF 1
-----	--------

SHT	1 OF 1
-----	--------

SHT	1 OF 1
-----	--------

SHT	1 OF 1
-----	--------

SHT	1 OF 1
-----	--------

SHT	1 OF 1
-----	--------

8. VENDOR MAY REPLACE PIGTAILS WITH WIRING TO APPROVED MOLDINGS OR CONNECTORS. PIGTAILS SHOWN IN TERMINAL VIEW.
7. HARNESS TO BE TESTED FOR CONTENT, OPENS, SHORTS, AND CONTINUITY.
6. CONNECTORS SHOWN FROM WIRE ENTRY SIDE, UNLESS OTHERWISE NOTED.
5. SPLICES TO BE AUTOMATED WITH HEAT SHRINK TUBING. HEAT SHRINK BUTT SPLICES ARE ACCEPTABLE FOR M-O FABRICATION IF NECESSARY.
4. TAPE (1111098): 6" AT ENDS.
3. HARNESS TO HAVE A LABEL SHOWING MORGAN OLSON PART NUMBER, REVISION LEVEL, AND DATE OF MANUFACTURE.
2. SPLIT POLY LOOM UNLESS JACKETED CABLE IS USED.
1. JACKETED CABLE AS NOTED.

NOTES:

PROPRIETARY
This drawing and the information and data contained hereon are the property of Morgan Olson and shall be kept confidential. No part of this drawing may be reproduced or transmitted in any form or by any means, electronic, mechanical, photocopying, recording, or by any information storage and retrieval system, without the prior written permission of Morgan Olson.



GENERAL STANDARD VALUES OTHERWISE NOTED:

1. HARNESS IS A 2-WAY CABLE. WIRE GAUGE IS 16 AWG.
2. ALL WIRING SHALL BE PERFORMED IN ACCORDANCE WITH THE WIRING DIAGRAM.
3. ALL WIRING SHALL BE PERFORMED IN ACCORDANCE WITH THE WIRING DIAGRAM.
4. ALL WIRING SHALL BE PERFORMED IN ACCORDANCE WITH THE WIRING DIAGRAM.

DATE	17DEC13
DATE	42440
DATE	17DEC13
DATE	42440

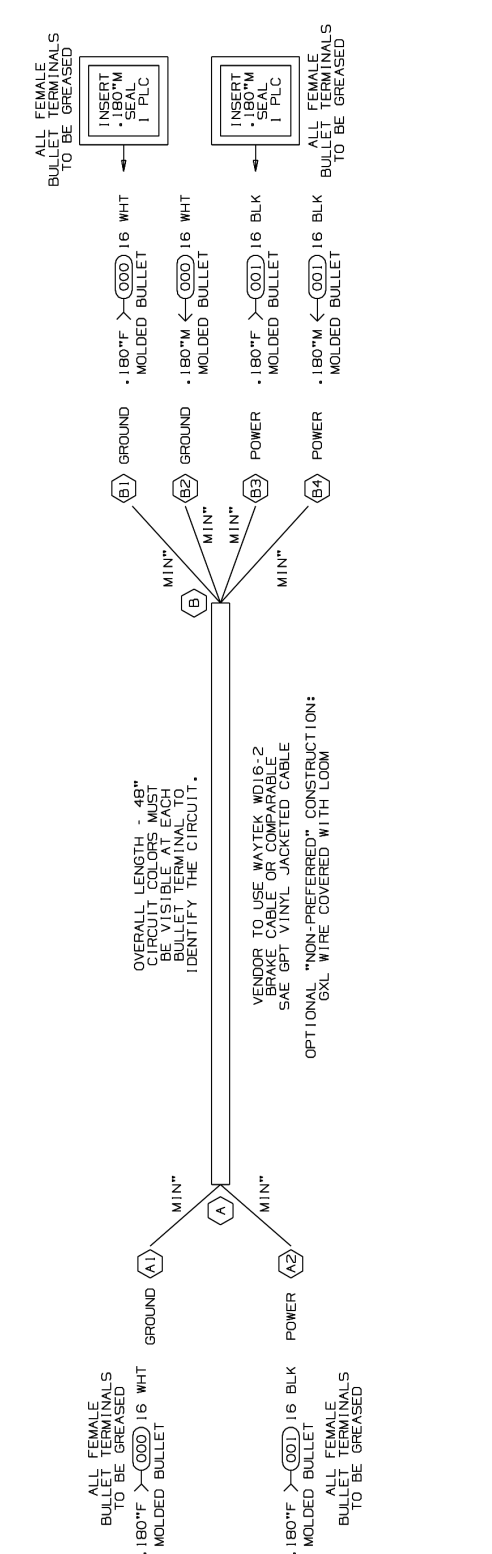
DO NOT SCALE

NAME: HARNESS JUMPER 48" 2W "Y" (180F TO 180F/180M EACH CKT)

SHT: 1 OF 1

DRAWING NO.: 14008B200

REV: NONE



HARNESS AND LOOM TOLERANCES

UP TO 60"	± 0/+2"
60" TO 100"	± 0/+4"
100" TO 200"	± 0/+5"
200" TO 400"	± 0/+6"
400" TO 600"	± 0/+7"
OVER 600"	± 0/+8"

BO TO BO ± 0/+2"

TOLERANCE IS NOT LENGTH APPLIES TO OVERALL HARNESS LENGTH, BREAKOUT TO END, OR LOOM.

FIRST USE: CURBSIDE MID-BODY MARKER

REV	DESCRIPTION	DATE	BY	CHKD	REV
14008B200	RELEASE TO PRODUCTION				

SHT	1 OF 1
-----	--------

SHT	1 OF 1
-----	--------

SHT	1 OF 1
-----	--------

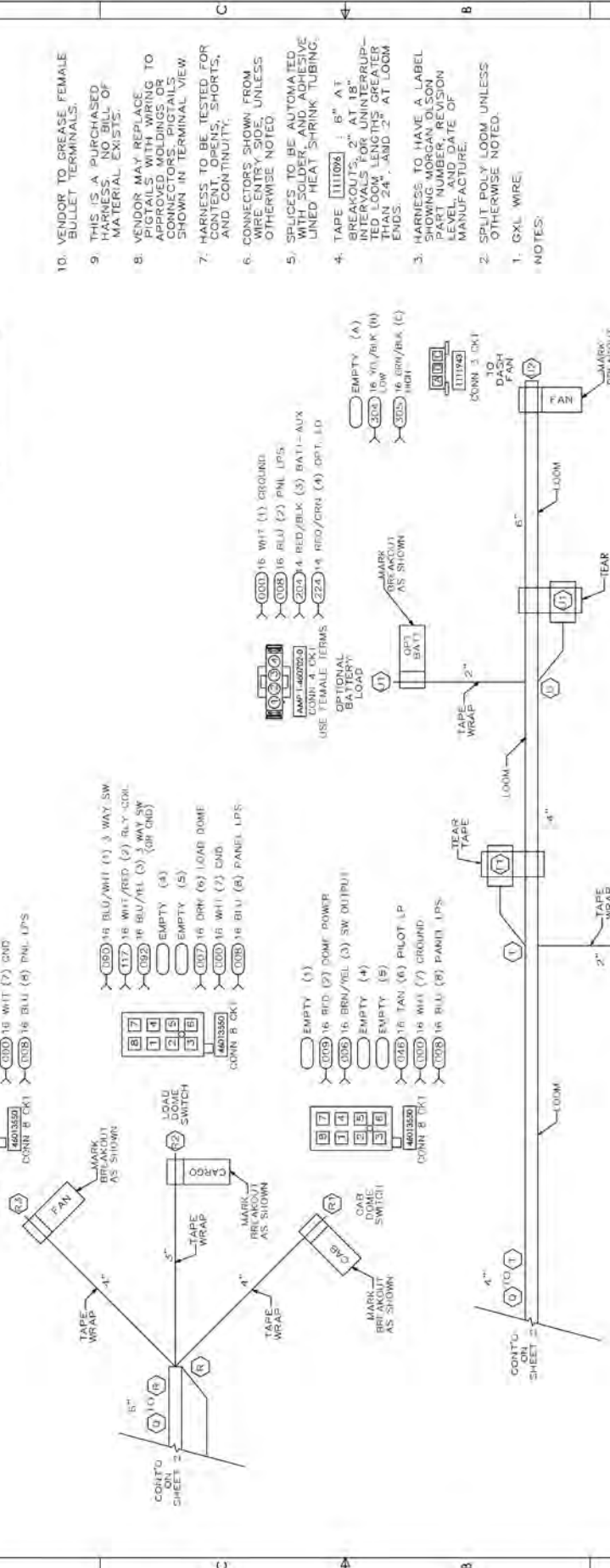
SHT	1 OF 1
-----	--------

SHT	1 OF 1
-----	--------

SHT	1 OF 1
-----	--------

SHT	1 OF 1
-----	--------

SHT	1 OF 1
-----	--------



HARNESS AND LOOM TOLERANCES

UP TO 60"	± 0/+2"
60" TO 100"	± 0/+4"
100" TO 200"	± 0/+5"
200" TO 400"	± 0/+6"
400" TO 600"	± 0/+7"
OVER 600"	± 0/+8"

LENGTHS APPLY FROM OR BREAKOUT TO WIRE ENTRY POINT OF CONNECTOR, OR END OF COVER FOR, OR END OF COVER

NOTES:

1. GXL WIRE, OTHERWISE NOTED.
2. SPLIT POLY LOOM UNLESS OTHERWISE NOTED.
3. HARNESS TO HAVE A LABEL SHOWING MORGAN OLSON PART NUMBER, REVISION LEVEL, AND DATE OF MANUFACTURE.
4. TAPE (1111098): 6" AT ENDS.
5. SPLICES TO BE AUTOMATED WITH HEAT SHRINK TUBING.
6. CONNECTORS SHOWN FROM WIRE ENTRY SIDE, UNLESS OTHERWISE NOTED.
7. HARNESS TO BE TESTED FOR CONTENT, OPENS, SHORTS, AND CONTINUITY.
8. VENDOR MAY REPLACE PIGTAILS WITH WIRING TO APPROVED MOLDINGS OR CONNECTORS. PIGTAILS SHOWN IN TERMINAL VIEW.
9. THIS IS A PURCHASED HARNESS. NO BILL OF MATERIAL EXISTS.
10. VENDOR TO GREASE FEMALE BULLET TERMINALS.

HARNESS AND LOOM TOLERANCES

UP TO 60"	± 0/+2"
60" TO 100"	± 0/+4"
100" TO 200"	± 0/+5"
200" TO 400"	± 0/+6"
400" TO 600"	± 0/+7"
OVER 600"	± 0/+8"

LENGTHS APPLY FROM OR BREAKOUT TO WIRE ENTRY POINT OF CONNECTOR, OR END OF COVER FOR, OR END OF COVER

HARNESS AND LOOM TOLERANCES

UP TO 60"	± 0/+2"
60" TO 100"	± 0/+4"
100" TO 200"	± 0/+5"
200" TO 400"	± 0/+6"
400" TO 600"	± 0/+7"
OVER 600"	± 0/+8"

LENGTHS APPLY FROM OR BREAKOUT TO WIRE ENTRY POINT OF CONNECTOR, OR END OF COVER FOR, OR END OF COVER

HARNESS AND LOOM TOLERANCES

UP TO 60"	± 0/+2"
60" TO 100"	± 0/+4"
100" TO 200"	± 0/+5"
200" TO 400"	± 0/+6"
400" TO 600"	± 0/+7"
OVER 600"	± 0/+8"

LENGTHS APPLY FROM OR BREAKOUT TO WIRE ENTRY POINT OF CONNECTOR, OR END OF COVER FOR, OR END OF COVER

HARNESS AND LOOM TOLERANCES

UP TO 60"	± 0/+2"
60" TO 100"	± 0/+4"
100" TO 200"	± 0/+5"
200" TO 400"	± 0/+6"
400" TO 600"	± 0/+7"
OVER 600"	± 0/+8"

LENGTHS APPLY FROM OR BREAKOUT TO WIRE ENTRY POINT OF CONNECTOR, OR END OF COVER FOR, OR END OF COVER

HARNESS AND LOOM TOLERANCES

UP TO 60"	± 0/+2"
60" TO 100"	± 0/+4"
100" TO 200"	± 0/+5"
200" TO 400"	± 0/+6"
400" TO 600"	± 0/+7"
OVER 600"	± 0/+8"

LENGTHS APPLY FROM OR BREAKOUT TO WIRE ENTRY POINT OF CONNECTOR, OR END OF COVER FOR, OR END OF COVER

HARNESS AND LOOM TOLERANCES

UP TO 60"	± 0/+2"
60" TO 100"	± 0/+4"
100" TO 200"	± 0/+5"
200" TO 400"	± 0/+6"
400" TO 600"	± 0/+7"
OVER 600"	± 0/+8"

LENGTHS APPLY FROM OR BREAKOUT TO WIRE ENTRY POINT OF CONNECTOR, OR END OF COVER FOR, OR END OF COVER

HARNESS AND LOOM TOLERANCES

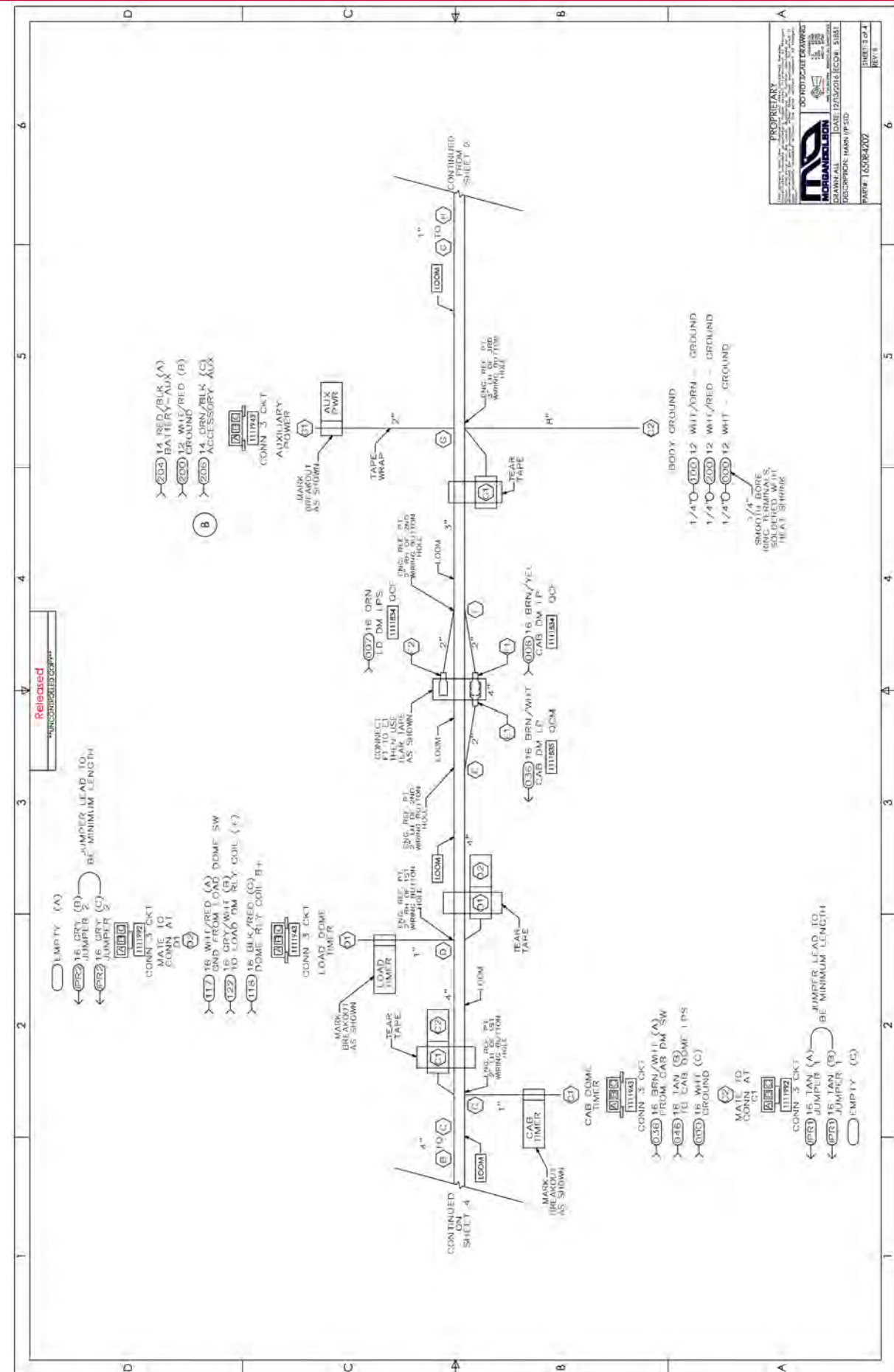
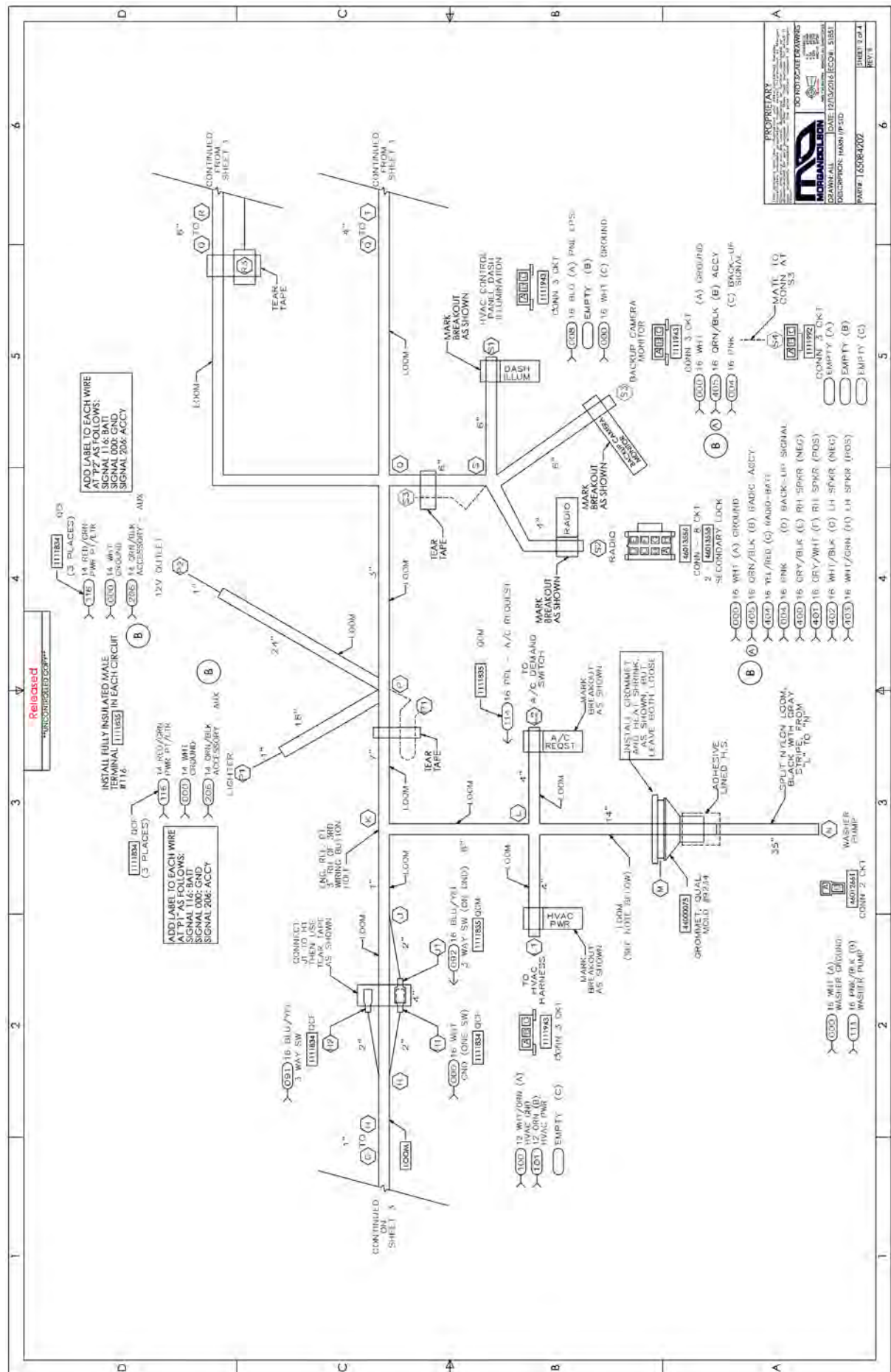
UP TO 60"	± 0/+2"
60" TO 100"	± 0/+4"
100" TO 200"	± 0/+5"
200" TO 400"	± 0/+6"
400" TO 600"	± 0/+7"
OVER 600"	± 0/+8"

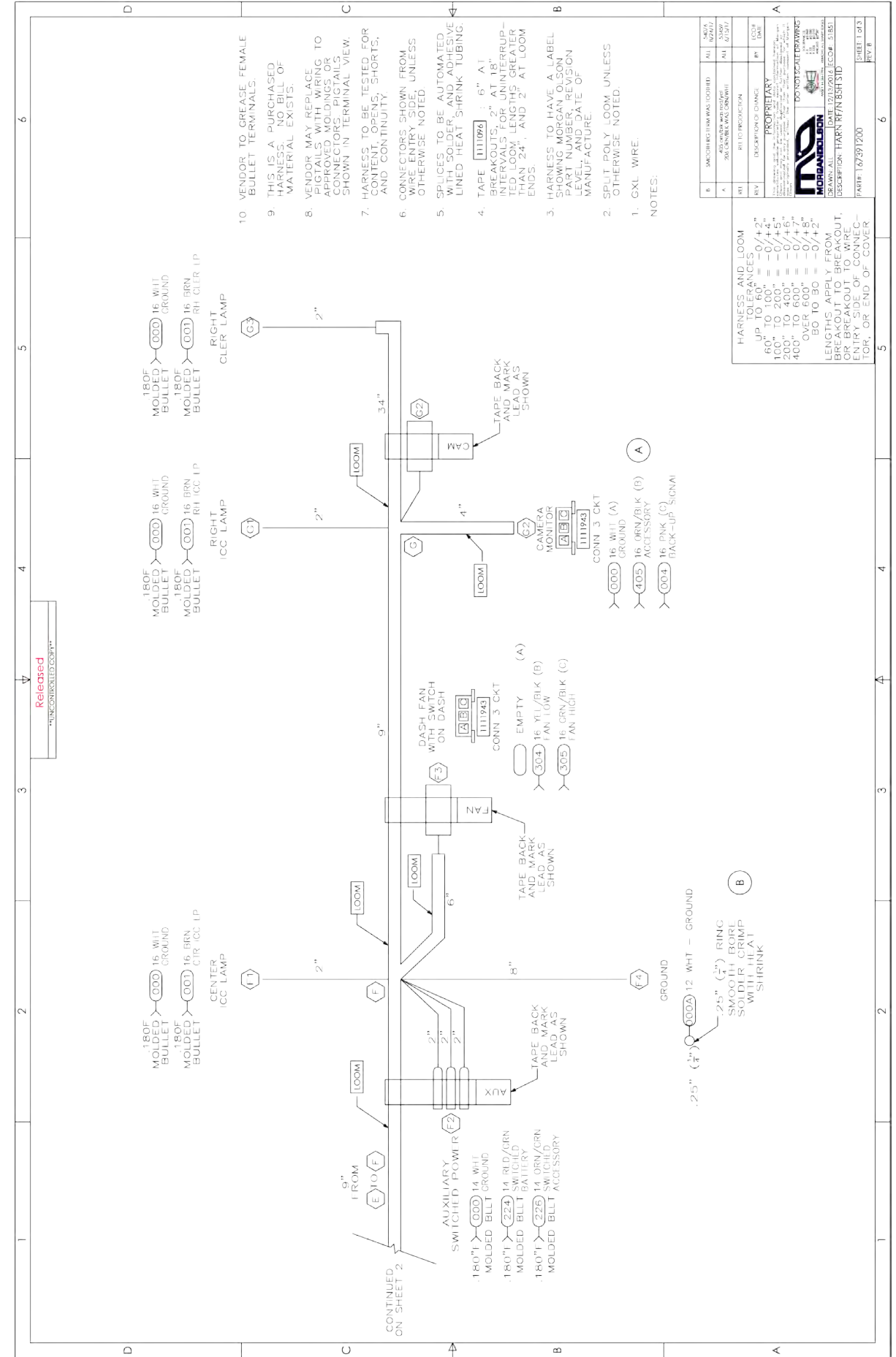
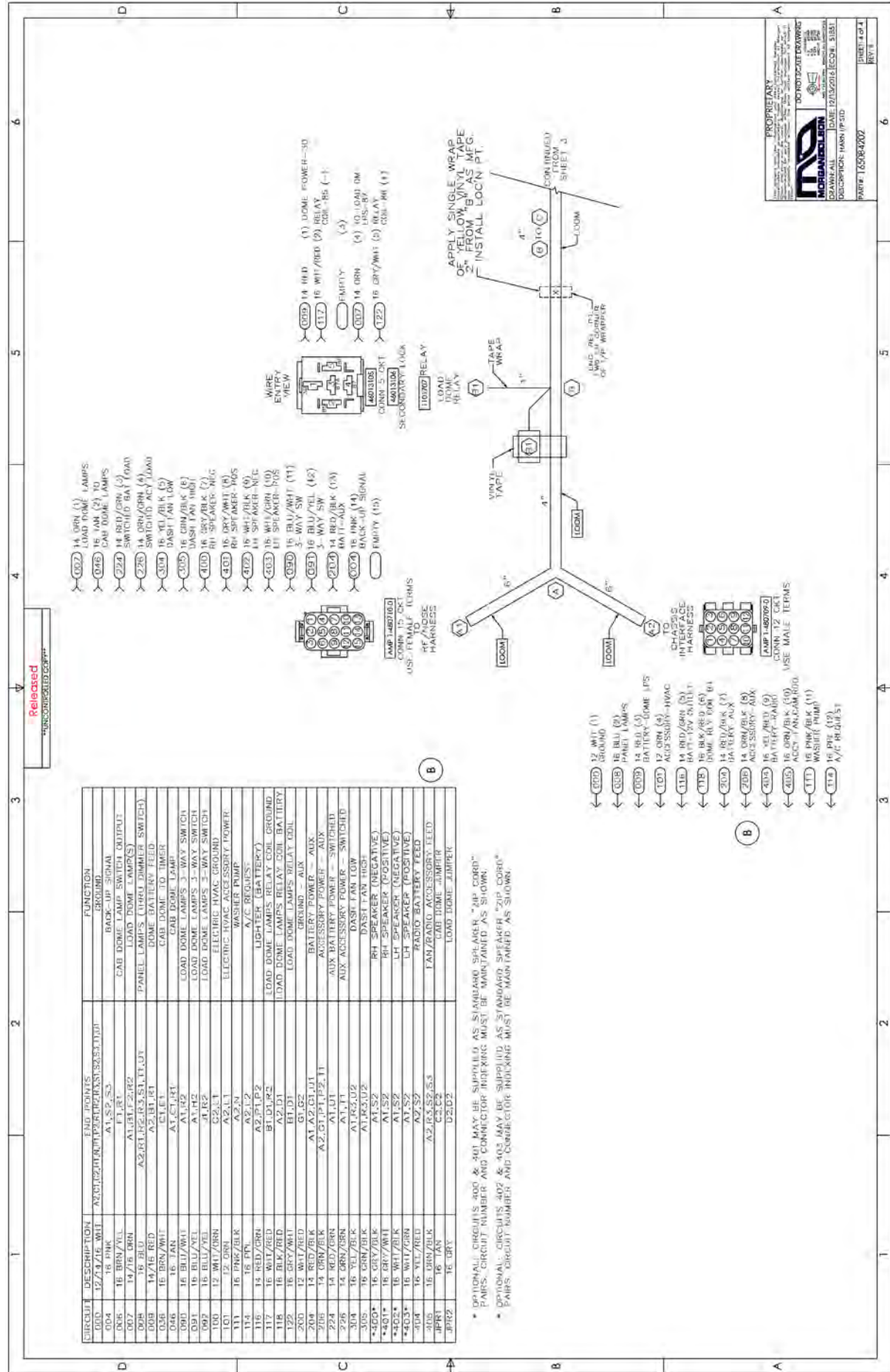
LENGTHS APPLY FROM OR BREAKOUT TO WIRE ENTRY POINT OF CONNECTOR, OR END OF COVER FOR, OR END OF COVER

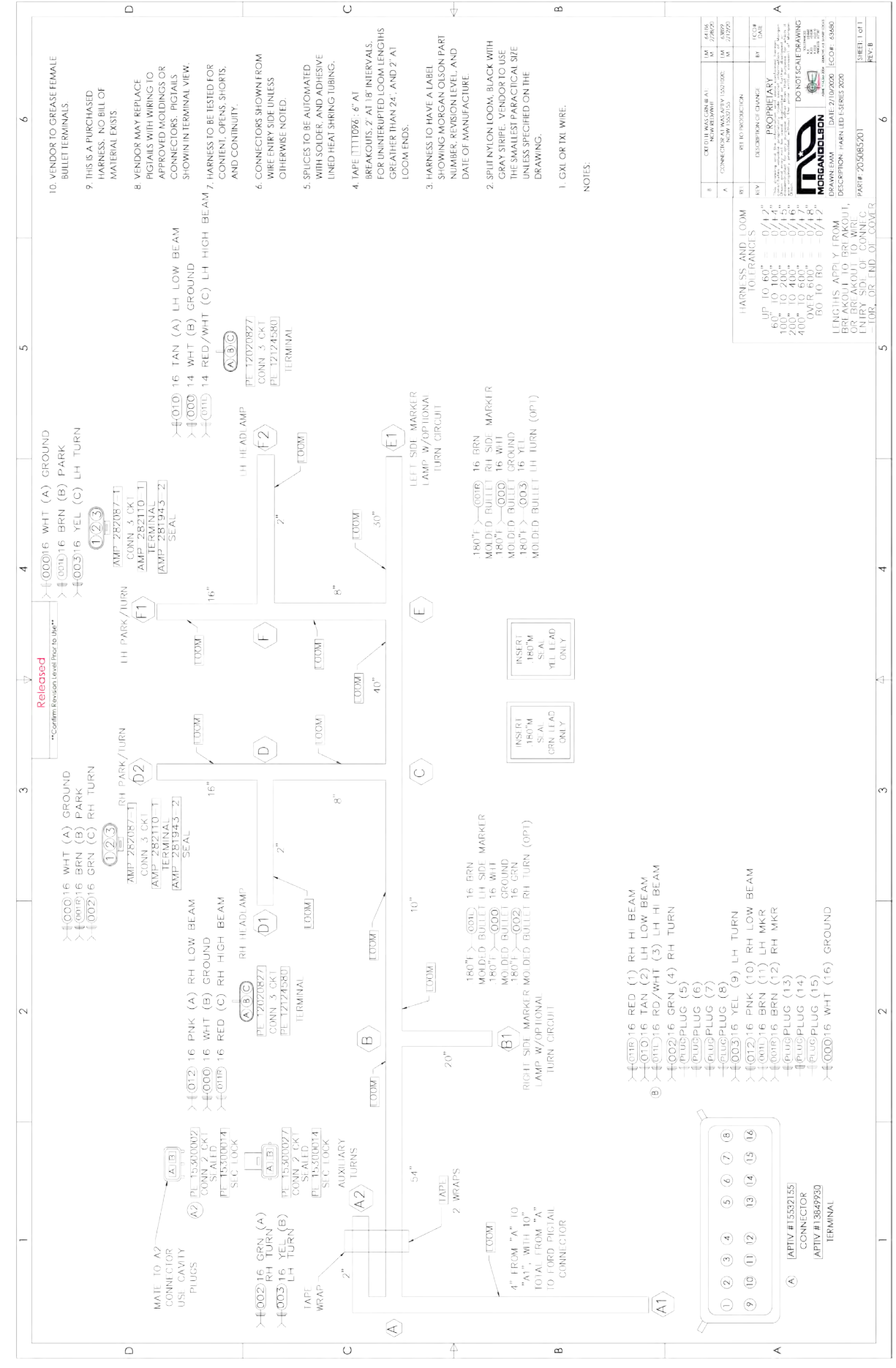
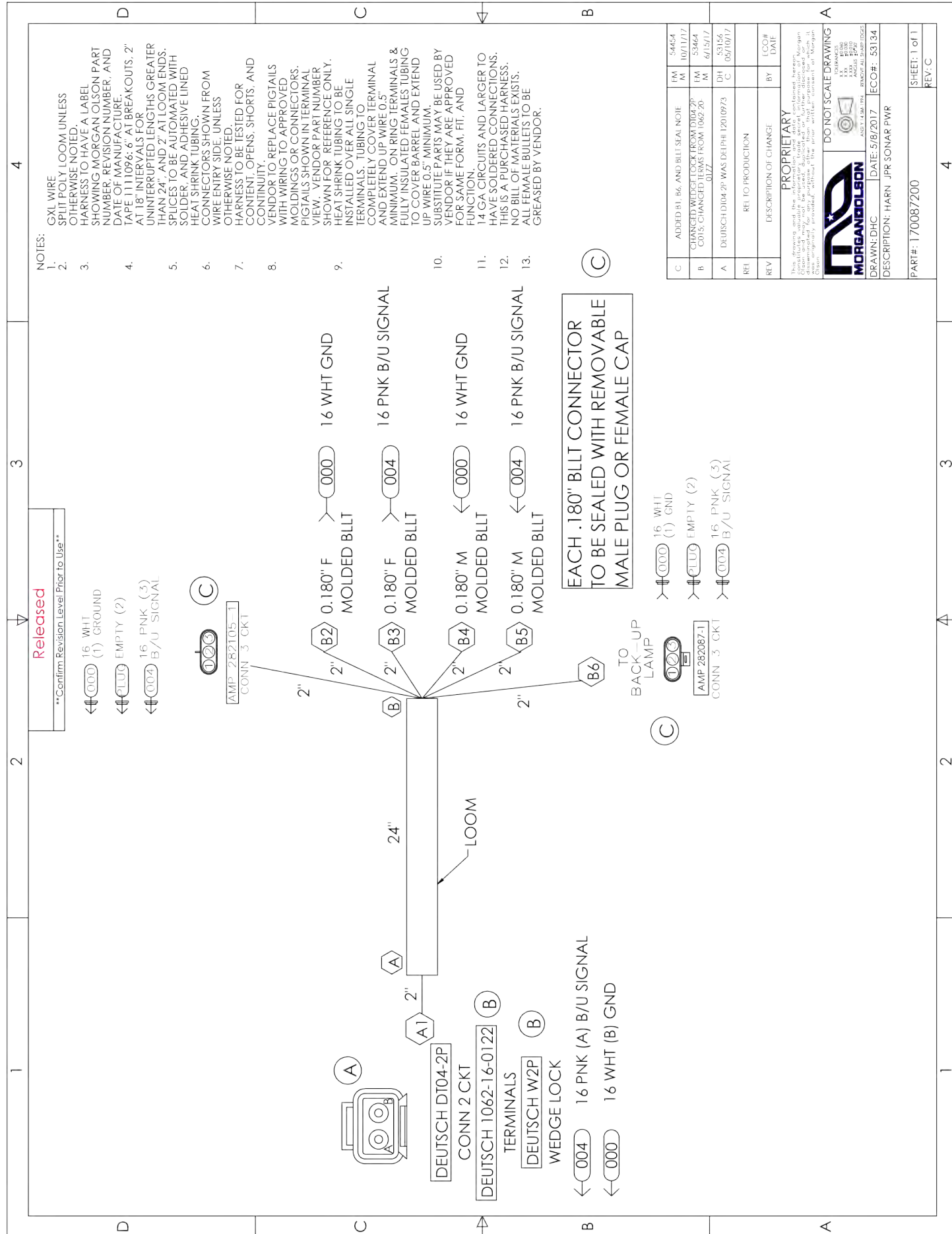
HARNESS AND LOOM TOLERANCES

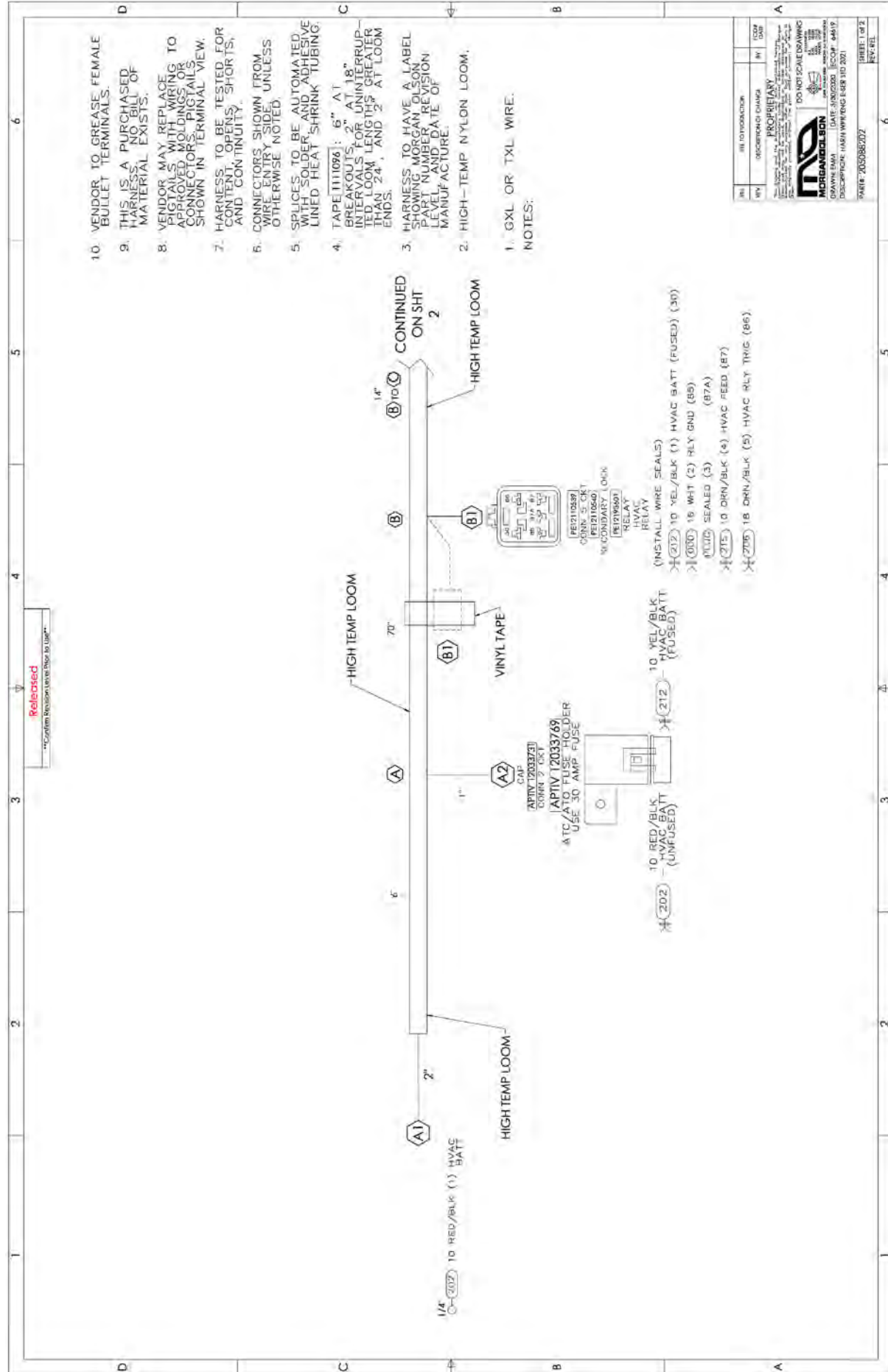
UP TO 60"	± 0/+2"
60" TO 100"	± 0/+4"
100" TO 200"	± 0/+5"
200" TO 400"	± 0/+6"
400" TO 600"	± 0/+7"
OVER 600"	± 0/+8"

LENGTHS APPLY FROM OR BREAKOUT TO WIRE ENTRY POINT OF CONNECTOR, OR END OF COVER FOR, OR END OF COVER

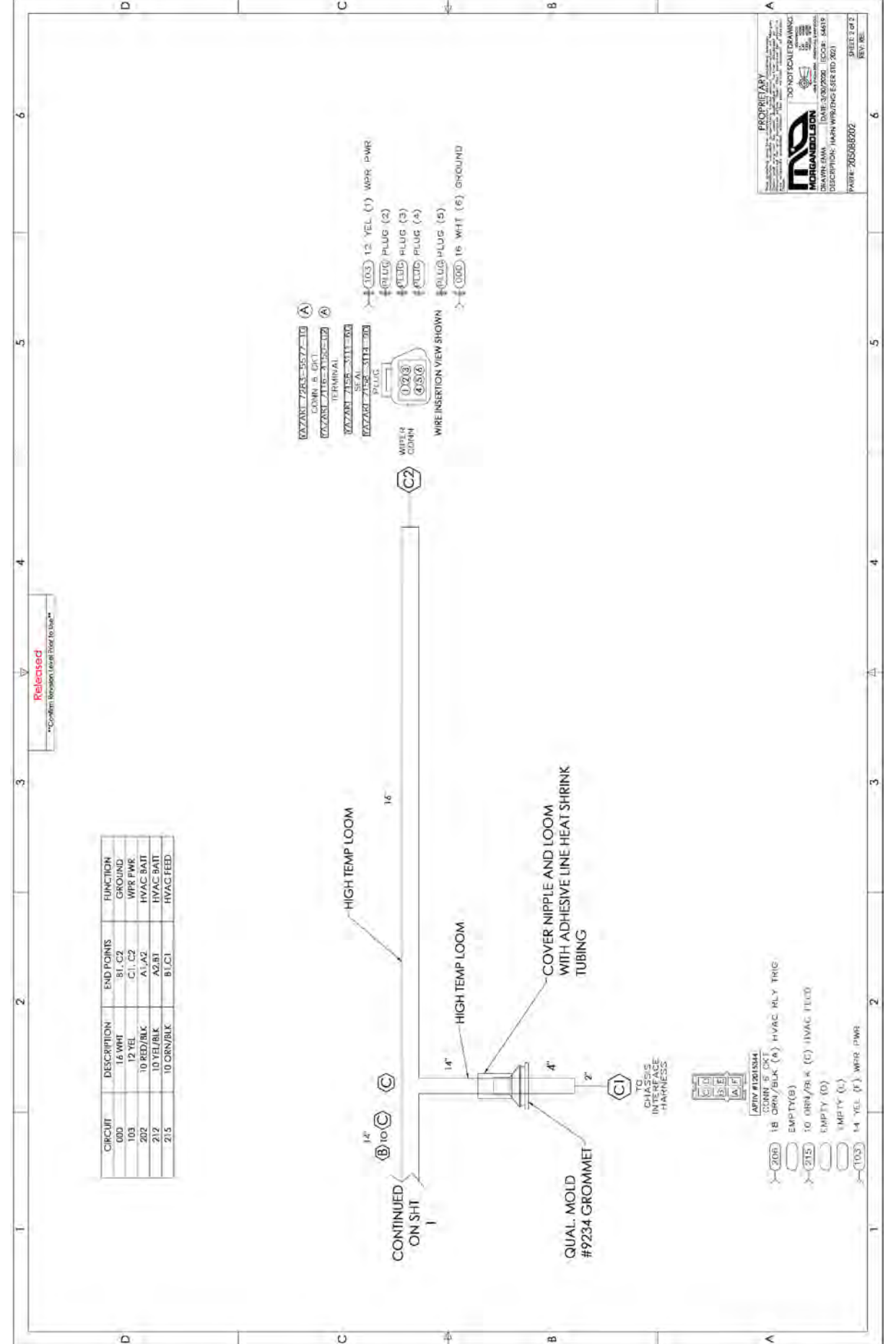






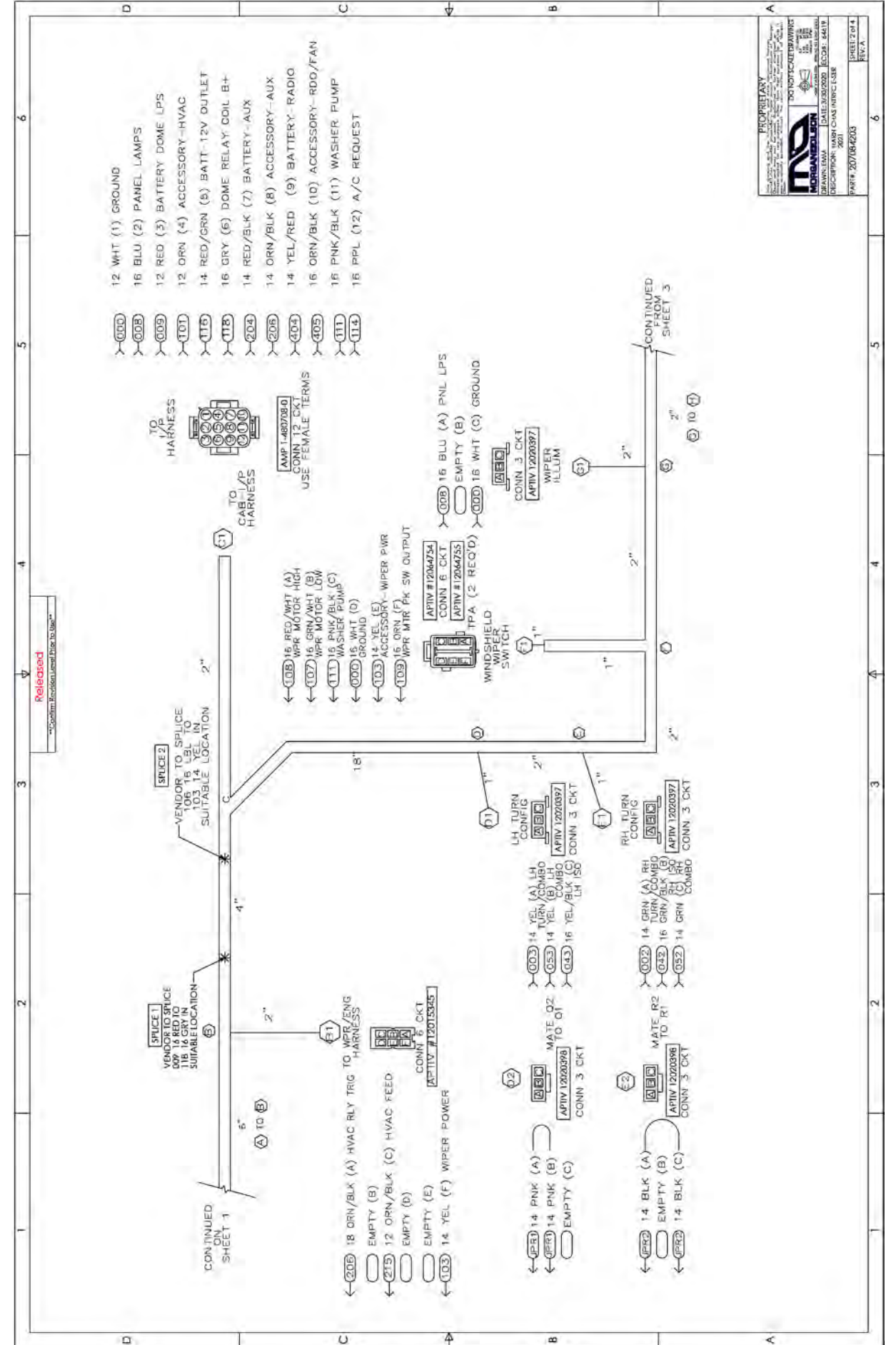
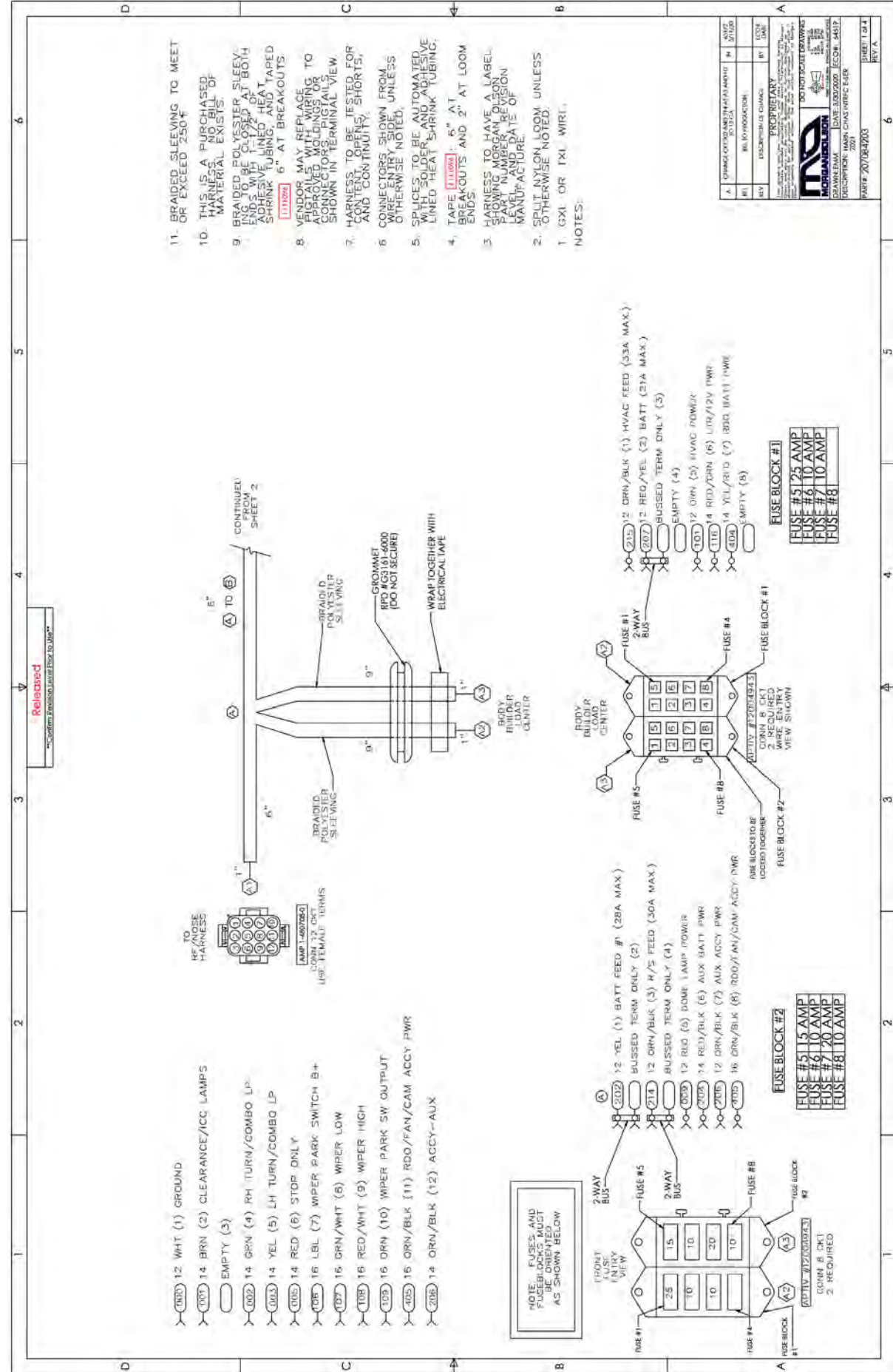


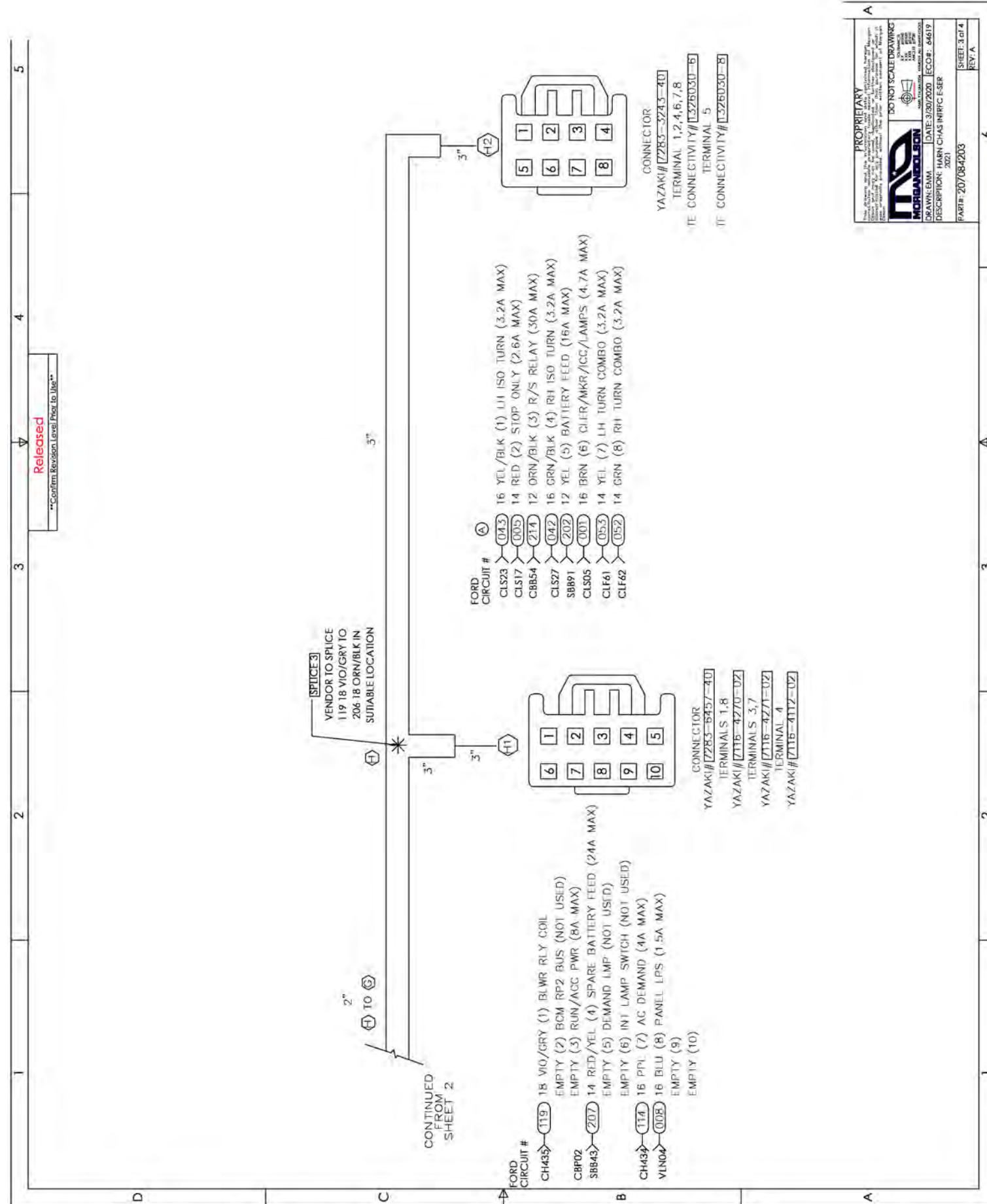
PROPERTY OF MORGAN OLSON
 DRAWN: JMA (DATE: JAN0200) (ECOP: 4419)
 DESCRIPTION: HVAC WIRING (SEE SHT 202)
 PART#: 205086202
 SHEET 1 OF 2
 REV: 001



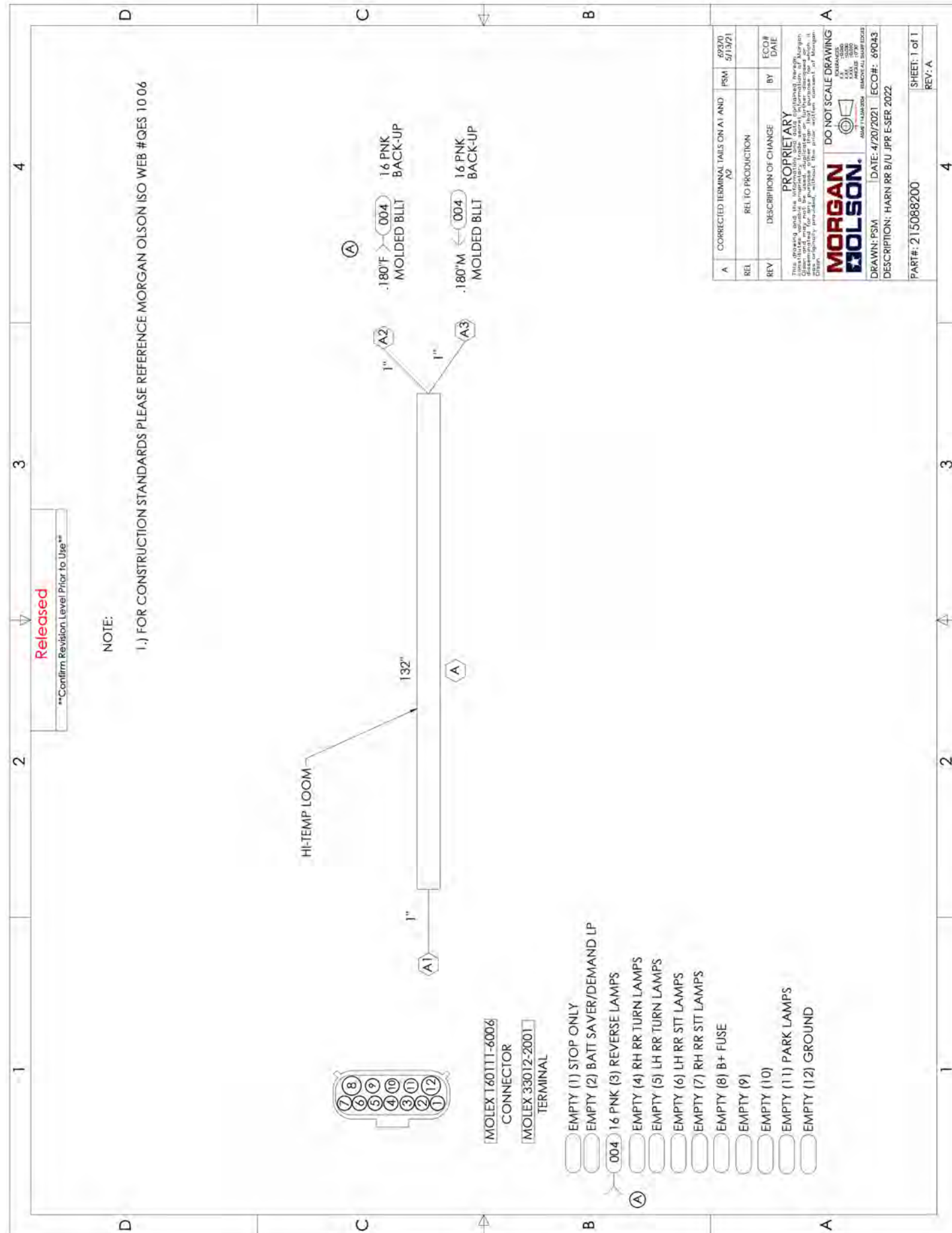
CIRCUIT	DESCRIPTION	END POINTS	FUNCTION
000	16 WHI	B1, C2	GROUND
103	12 YEL	C1, C2	WFR PWR
202	10 RED/BLK	A1, A2	HVAC BATT
212	10 YEL/BLK	A2, B1	HVAC BATT
215	10 ORN/BLK	B1, C1	HVAC FEED

PROPERTY OF MORGAN OLSON
 DRAWN: JMA (DATE: JAN0200) (ECOP: 4419)
 DESCRIPTION: HVAC WIRING (SEE SHT 202)
 PART#: 205086202
 SHEET 2 OF 2
 REV: 001

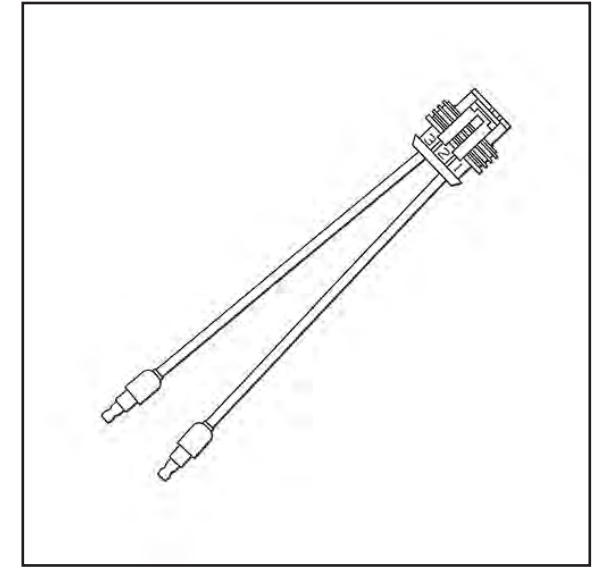




CIRCUIT	DESCRIPTION	END POINTS	FUNCTION
000	12/16 WHT	A1, C1, F1, G1	GROUND
001	14/16 BRN	A1, H2	CLER/MKR/ICC LAMPS
002	14 GRN	A1, E1	RH TURN/COMBO
003	14 YEL	A1, D1	LH TURN/COMBO
005	14 RED	A1, H2	STOP ONLY
008	16 BLU	C1, G1, H1	DAH ILLUMINATION
009	12/16 RED	A3, C1, SPLICE 1	HOME BATTERY FEED
042	16 GRN/BLK	E1, H2	RH ISO TURN
043	16 YEL/BLK	D1, H2	LH ISO TURN
052	14 GRN	E1, H2	RH TURN COMBO
053	14 YEL	D1, H2	LH TURN COMBO
101	12 ORN	A2, C1	ELEK HVAC POWER
103	14 YEL	B1, F1, SPLICE 2	WIPER POWER (ACCY)
106	16 LBL	A1, SPLICE 2	WIPER PARK SWITCH B+
107	16 GRN/WHT	A1, F1	WIPER LOW
108	16 RED/WHT	A1, F1	WIPER HIGH
109	16 ORN	A1, F1	WIPER MOTOR SWITCH
111	16 PNK/BLK	C1, F1	WASHER PUMP
114	16 PPL	C1, H1	AC DEMAND
116	14 RED/GRN	A2, C1	LIGHTER/12V OUTLET
118	16 GRY	C1, SPLICE 1	LOAD DOME RELAY COIL B+
119	18 VIO/GRY	H1, SPLICE 3	HVAC BLOWER RELAY COIL
202	10 YEL	A3, H2	BATTERY FEED #1
204	14 RED/BLK	A3, C1	AUX BATTERY POWER
206	12/14/18 ORN/BLK	A1, A3, B1, C1, SPLICE E3	AUX ACCESSORY POWER
207	12 RED/YEL	A2, H1	SPARE BATTERY FEED
214	10 ORN/BLK	A3, H2	ACCESSORY FEED #2
215	12 ORN/BLK	A2, B1	HVAC POWER FEED (ACCY)
404	14 YEL/RED	A2, C1	RADIO BATTERY POWER



Pigtail
P/N 46012046



Pigtail
P/N 46012049



Camera to Monitor Cable
P/N 48200113 - 50'
P/N 48200137 - 15'

