

NORTHSIDE FORD GSA 134.1 PARTS CATALOG

Contract: GS-30F-CA013



1801 S. Nottawa Street
Sturgis, MI 49091
Phone 800-233-4823
Fax (616-659-0499)
www.morganolson.com
www.morganolsonparts.com



TABLE OF CONTENTS	4
INTRODUCTION	5
CAB & ENGINE BOX	6-9
STEPS	10-13
HEATER - DEFROSTER	14-15
HOOD	16-17
INSTRUMENT PANEL & SEATS	18-19
FLOOR	20-21
SIDES	22-23
ROOF	24-25
BACK	26-27
BULKHEAD	28-29
SIDE DOORS	30-31
DOOR POCKETS	32-33
REAR DOOR ROLL UP (RUD parts are serial # specific, have s/n ready when ordering)	34-35
REAR DOOR 2 PIECE	36-37
BUMPERS	38-39
MIRRORS & WIPER ASSEMBLY	40-41
LIFT-GATE	42-43
MISCELLANEOUS	44-45
ELECTRICAL	46-47

SHELVING / CARGO CONTROL ARE VIN SPECIFIC, PLEASE CALL WITH VIN #

THIS CATALOG APPLIES TO THE FOLLOWING VEHICLES.			
CV102729	81" x 93" x 16'	134.1 SPEC	
CV102730	81" x 93" x 11'4"	134.1 SPEC	
CV102782	81" x 93" x 16'	134.1 SPEC	
CV102837	81" x 93" x 16"	134.1 SPEC	
CV102996	81" x 93" x 11'4"	134.1 SPEC	
CV103001	73" x 93" x 11'4"	134.1 SPEC	
CV103017	73" x 93" x 11'4"	134.1 SPEC	
CV103030	81" x 93" x 11'4"	134.1 SPEC	
CV103058	73" x 93" x 11'4"	134.1 SPEC	
CV103070	73" x 93" x 11'4"	134.1 SPEC	
CV103099	85" x 93" x 14'4"	134.1 SPEC	
CV103110	73" x 93" x 11'4"	134.1 SPEC	
CV103112	81" x 93" x 14'4"	134.1 SPEC	

This parts guide contains illustrations and part numbers for GSA 134.1 SPEC package delivery vehicles and applies to bills of materials as listed on page 4.

This book has been divided into chapters. Each chapter has illustrations with part numbers and descriptions. Each part is pointed out to help identify it. Orientation references are from the rear of the vehicle facing forward. LH (LEFT HAND) is ROADSIDE and RH (RIGHT HAND) is CURBSIDE. Items listed as "Installations" include all fasteners and parts required for completion. Items listed as "Assemblies" include the parts but do not include the common fasteners; nuts, bolts, rivets and washers, required for completion.

Procedure to Order Parts

1. Depending on the part desired, turn to the appropriate section.
2. Locate the desired part on the illustration page(s) and note it's number.
3. Contact a Morgan Olson Service Parts Representative. Have part numbers readily available.
4. When placing orders, specify serial numbers.
5. Serial # may be required for certain roll up door parts.

Parts are also available from our parts website at www.morganolsonparts.com.

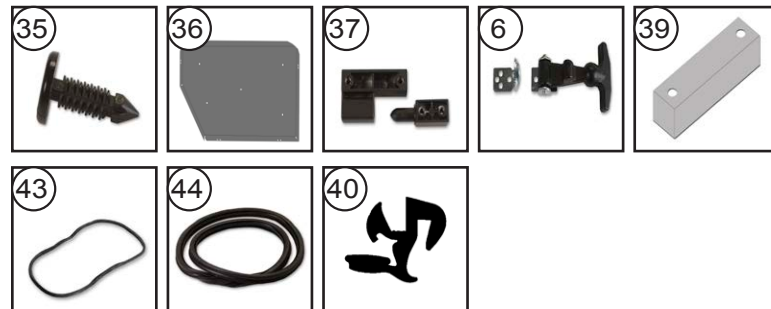
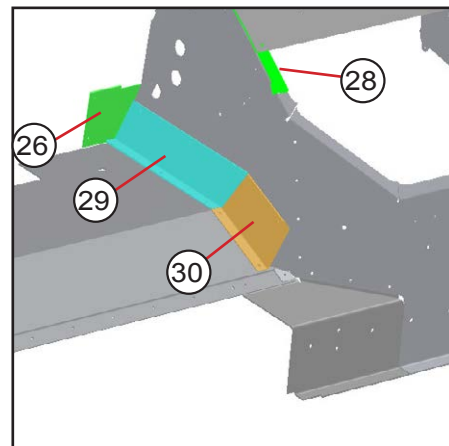
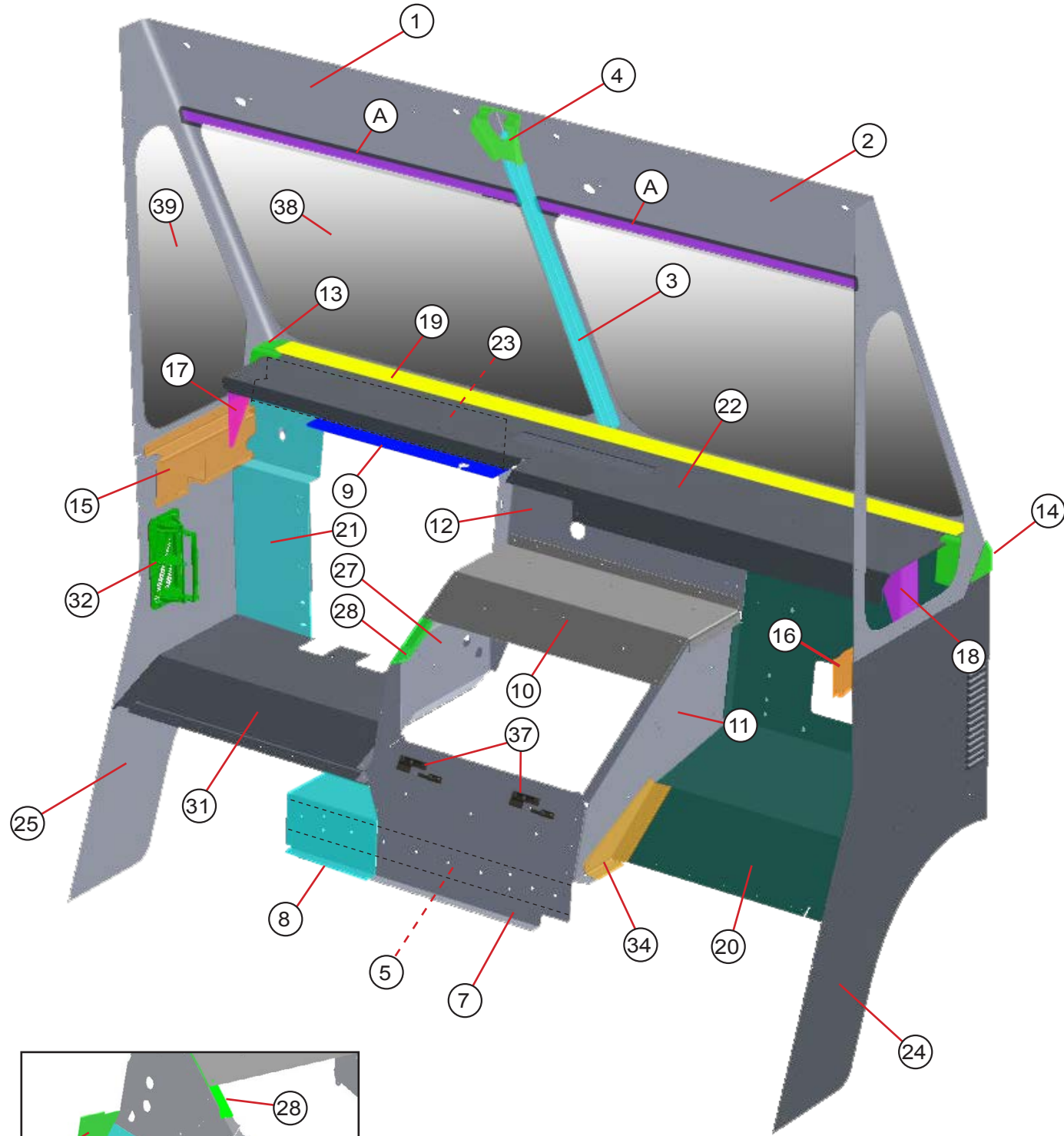
FOR WARRANTY INFORMATION CALL 1-800-262-3437

ANY QUESTIONS OR CONCERNS SHOULD BE DIRECTED TO YOUR SERVICE PARTS REPRESENTATIVE AT 1-800-233-4823

At Morgan Olson, our quest for quality and safety is ongoing and therefore the specifications on the product described herein may vary over time.

Please contact Morgan Olson for the latest product information, available safety features and options.

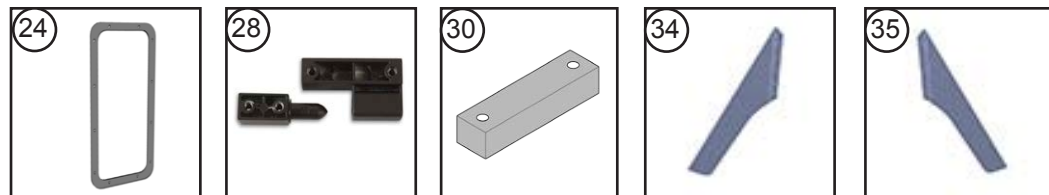
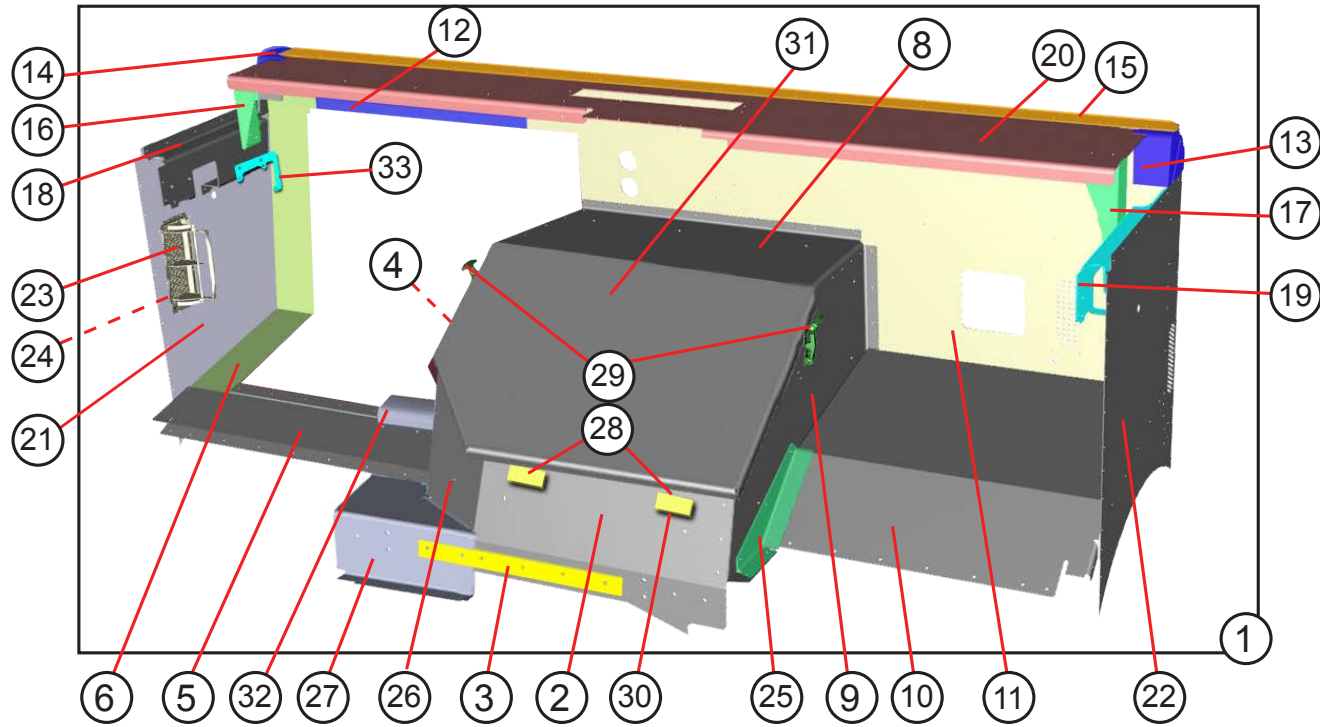
*CAB SKIRT AND SKIRT TAIL ARE A SINGLE PIECE



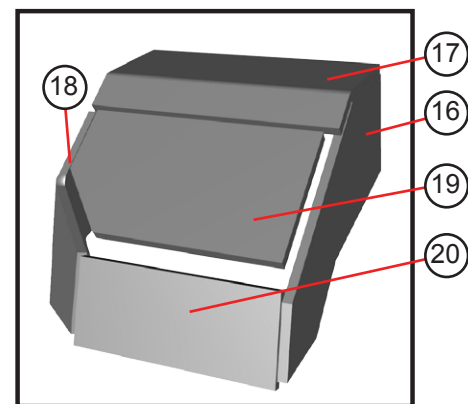
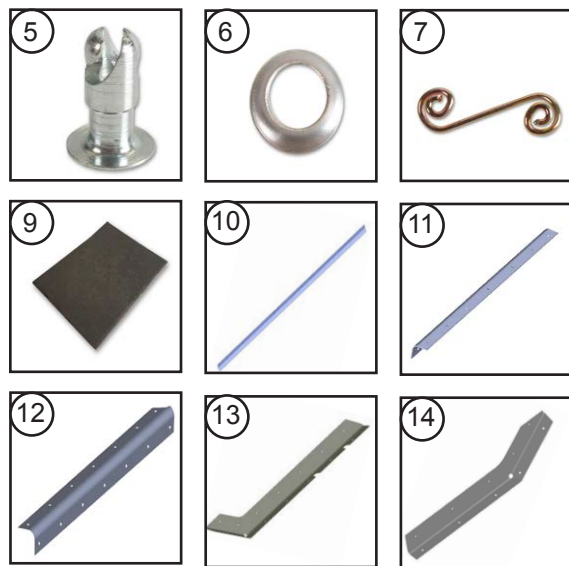
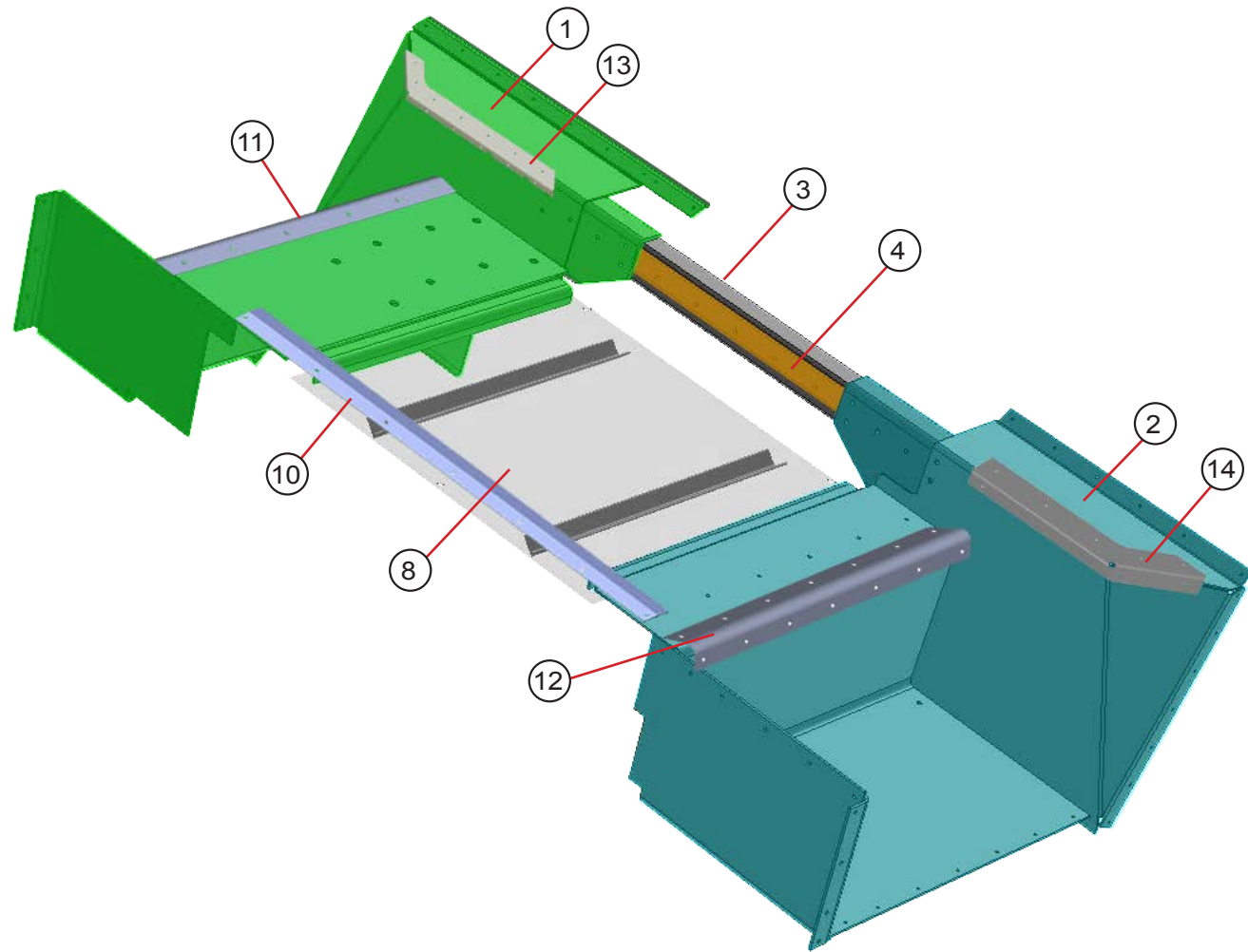
ITEM	DESCRIPTION	BODY HEIGHT		
		73" STD.	81" CBI1	85" CBI2
1	PANEL FRAME WINDSHIELD ROADSIDE	088055429	088055401	088055405
2	PANEL FRAME WINDSHIELD CURBSIDE	088055430	088055402	088055406
3	POST CENTER	077055435	077055400	077055401
A	STIFFENER WINDSHIELD		077055404	077055404

ITEM #	PART #	DESCRIPTION	QTY.	UNIT
4	088055425	BRACKET FRAME W/S AL .125X5.76X7.2	1	EA
5	117028400	SHIM ENGINE BOX	2	EA
6	1113336	LATCH ENGINE BOX	2	EA
7	105005410	ENGINE BOX SADDLE AL .125X22.23X32.17	1	EA
8	105005412	ENGINE BOX SADDLE FILLER AL.125X11.84X13.8 LH	1	EA
9	095005482	UPPER DASH WALL AL .102X4.6X23.74 LH	1	EA
10	095005437	ENGINE BOX TOP AL.102X15.68X30.51	1	EA
11	095005440	ENGINE BOX PANEL AL .102X21.47X29.31 RH	1	EA
12	095005442	DASH CAB WALL AL .102X15.14X31.46	1	EA
13	8502000	CORNER AL CAST W/S LH	1	EA
14	8502001	CORNER AL CAST W/S RH	1	EA
15	083005522	STIFFENER W/S AL .125X10.93X17.81 RH	1	EA
16	083005521	STIFFENER W/S AL .125X10.93X17.81 LH	1	EA
17	083005418	SUPPORT RAIL W/S AL .102X5.74X8.27 LH	1	EA
18	083005419	SUPPORT RAIL W/S AL .102X5.74X8.27 RH	1	EA
19	083023402	RAIL W/S 93W AL 851100X89	1	EA
20	095005427	TOE-BOARD AL .102X32.45X47.44 RH	1	EA
21	095005435	DASH WALL OUTER AL.102X13.64X28.36	1	EA
22	125027406	SHELF DASH AL .102X13.74X89	1	EA
23	095005431	DASH WALL UPPER AL .102X7.36X36.26 LH	1	EA
24	095005447	CAB SKIRT AL .07X40.60X45.91 RH	1	EA
25	095005444	CAB SKIRT AL .07X40.60X45.91 LH	1	EA
26	115005452	CLOSURE CAB AL.07X4.67X6.6	1	EA
27	115005454	PANEL ENGINE BOX AL .07X18.32X23.39 LH	1	EA
28	095005439	PANEL ENGINE BOX AL .102X2.94X9.5	1	EA
29	115005450	ADAPTER E/BX AL.102X4.36X13.39	1	EA
30	115005451	ADAPTER E/BX AL.102X4.44X8.88	1	EA
31	115005453	TOE-BOARD AL.102X21.01X36.54 LH	1	EA
32	47008545	VENT AL 2WAY HINGE LESS	1	EA
33	47008548	GASKET FOR VENT 47008545	1	EA
34	077050406	GUSSET TOE-BOARD AL .125X5.33X14.88 RH	1	EA
35	47006630	CLIP PLASTIC ROUND/HOOD 1.32-1.34	10	EA
NS	105028400	LID ENGINE BOX AL .102X18.58X32.44	1	EA
37	47007859	HINGE OFFSET	2	EA
38	083056401	GLASS W/S FRONT 31.29X44.04	2	EA
39	96756400	GLASS 73H TRIANGLE 30 DEG	2	EA
40	44004303	WEATHERSTRIP GLASS #LS-1660 X147.5	2	EA
40	44004305	WEATHERSTRIP GLASS #LS-1660 X85.5	2	EA

*CAB SKIRT AND SKIRT TAIL ARE SEPARATE.

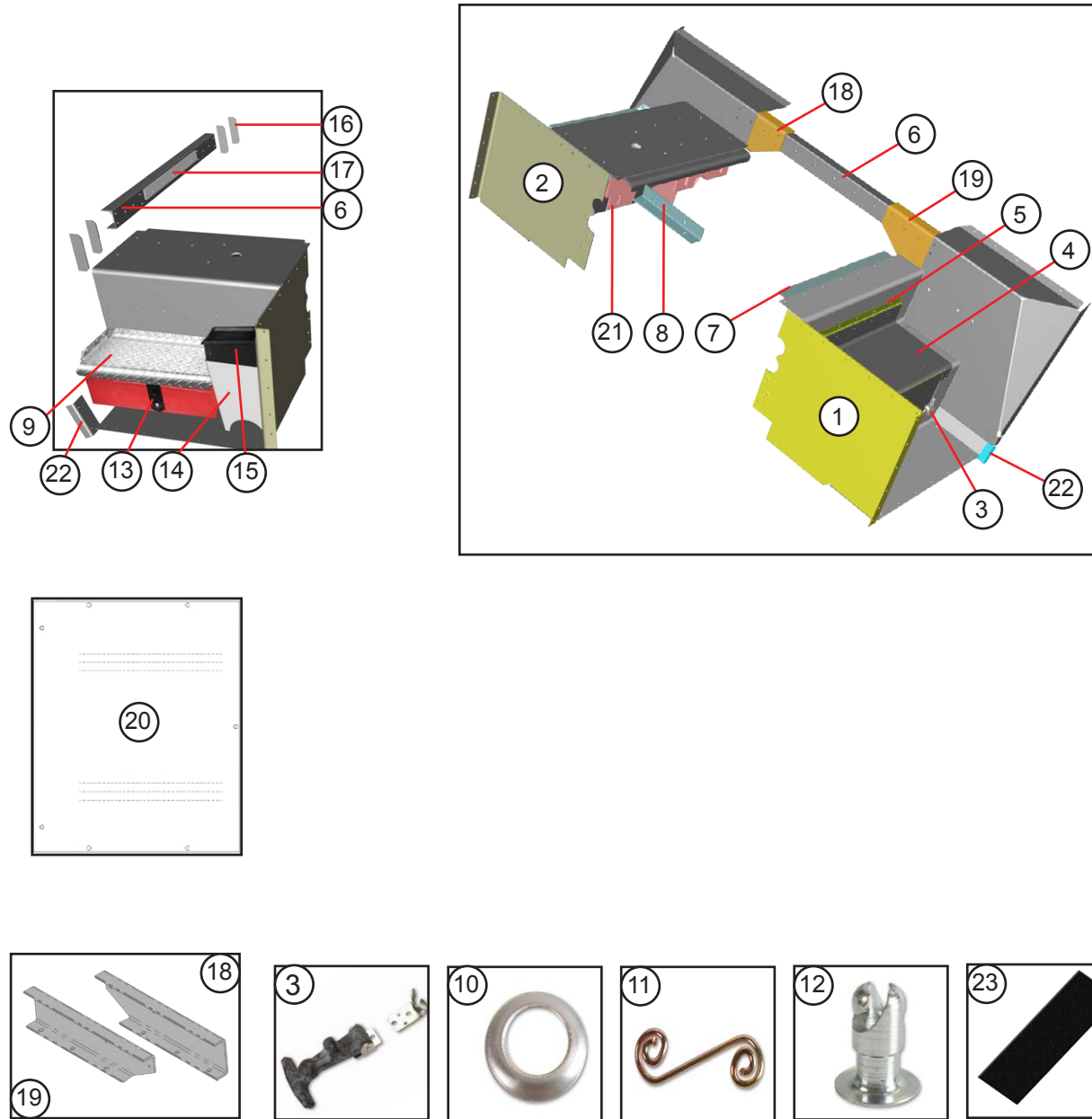


ITEM #	PART #	DESCRIPTION	QTY.	UNIT
1	115005224	CAB ASSEMBLY	1	EA
2	115005404	PLATE ENGINE BOX SADDLE AL.125X15.74X24.07	1	EA
3	077050402	SHIM AL .25X1.62X20.8	1	EA
4	115005403	ENGINE BOX SIDE ROADSIDE AL.102X19.26X27.88	1	EA
5	115005405	TOE BOARD ROADSIDE AL.125X6.76X34.53	1	EA
6	115005406	ADAPTER TOE BOARD AL.102X7.24X45.63	1	EA
8	115005402	ENGINE BOX TOP AL.125X15.88X33.04	1	EA
9	098005501	ENGINE BOX HOUSING AL.102X20.85X32.55	1	EA
10	115005415	TOE BOARD CURBSIDE AL.102X28.09X29.44	1	EA
11	115005400	DASH WALL CURBSIDE AL.125X25.89X60.38	1	EA
12	115005401	DASH WALL ROADSIDE AL.125X8.46X30.45	1	EA
13	8502000	CORNER CASTING CURBSIDE	1	EA
14	8502001	CORNER CASTING ROADSIDE	1	EA
15	083023402	WINDSHIELD RAIL AL 851100X89	1	EA
16	083005418	SUPPORT RAIL ROADSIDE AL.102X5.74X8.27	1	EA
17	083005419	SUPPORT RAIL CURBSIDE AL.102X5.74X8.27	1	EA
18	077050400	STIFFENER ROADSIDE AL.125X10.93X17.81	1	EA
19	077050401	STIFFENER CURBSIDE AL.125X10.93X17.81	1	EA
20	093005512	DASH SHELF AL.125X13.74X89	1	EA
21	115005417	CAB SKIRT ROADSIDE AL.07X27.29X30.57	1	EA
22	093005440	CAB SKIRT CURBSIDE AL.07X27.28X30.57	1	EA
23	47008545	VENT 2 WAY HINGLESS	1	EA
24	47008548	GASKET VENT	1	EA
25	115005416	GUSSET TOE BOARD CURBSIDE AL.125X7.84X14.44	1	EA
26	115005409	FILLER SADDLE LOWER RS AL.125X11.66X14.49	1	EA
27	115005408	SADDLE FILLER AL.125X9.6X13.06	1	EA
28	47007859	HINGE OFFSET	2	EA
29	1113336	LATCH	2	EA
30	117028400	SHIM ENGINE BOX	2	EA
31	145028400	PANEL ENGINE BOX LID AL.102X20.3X33.06	1	EA
32	115005420	CASTING TRANSITION F59	1	EA
33	115084402	BRACKET FUSE BOX AL.102X6.4X8.66	1	EA
34	098022401	CAB SKIRT TAIL RH	1	EA
35	098022400	CAB SKIRT TAIL LH	1	EA



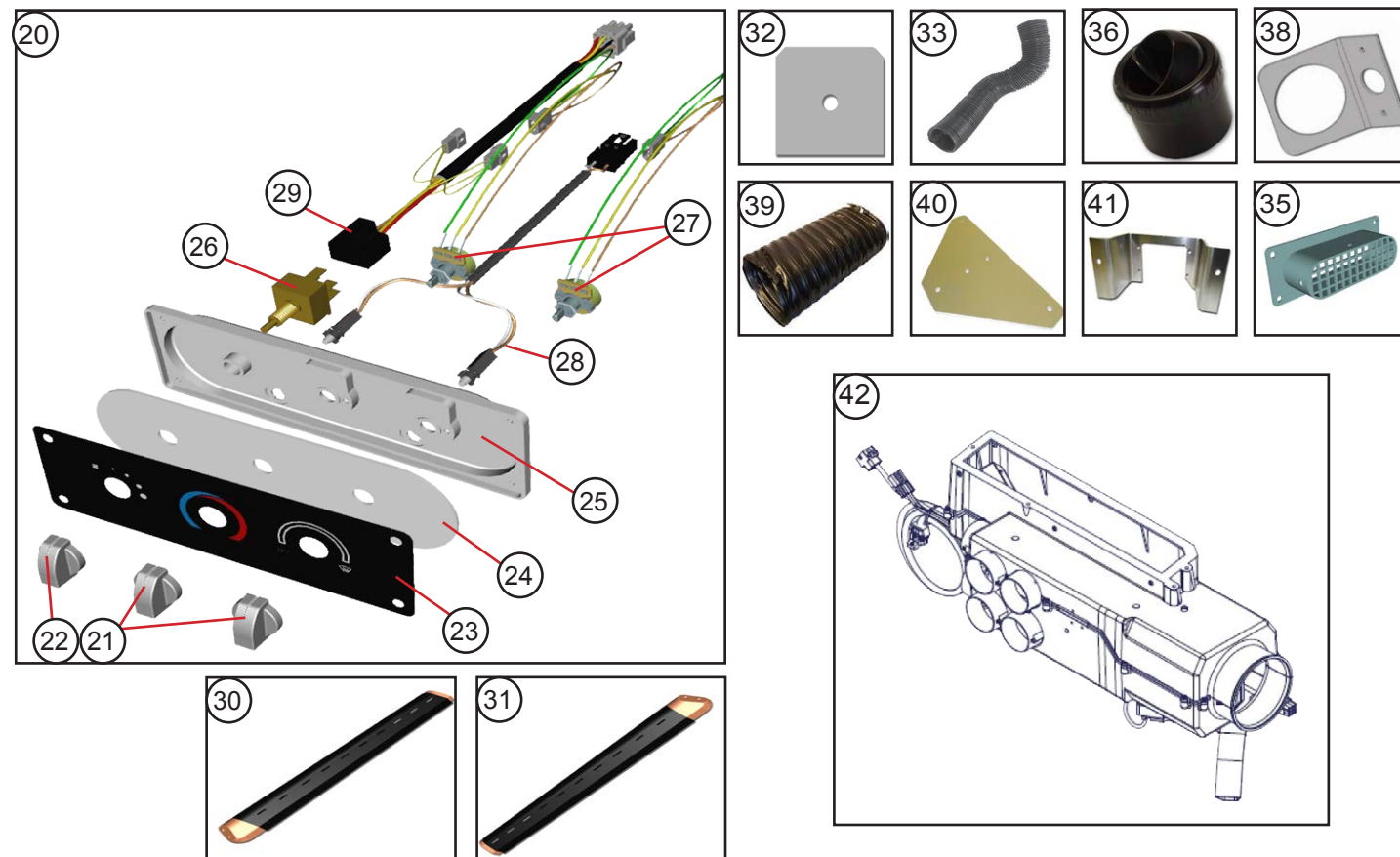
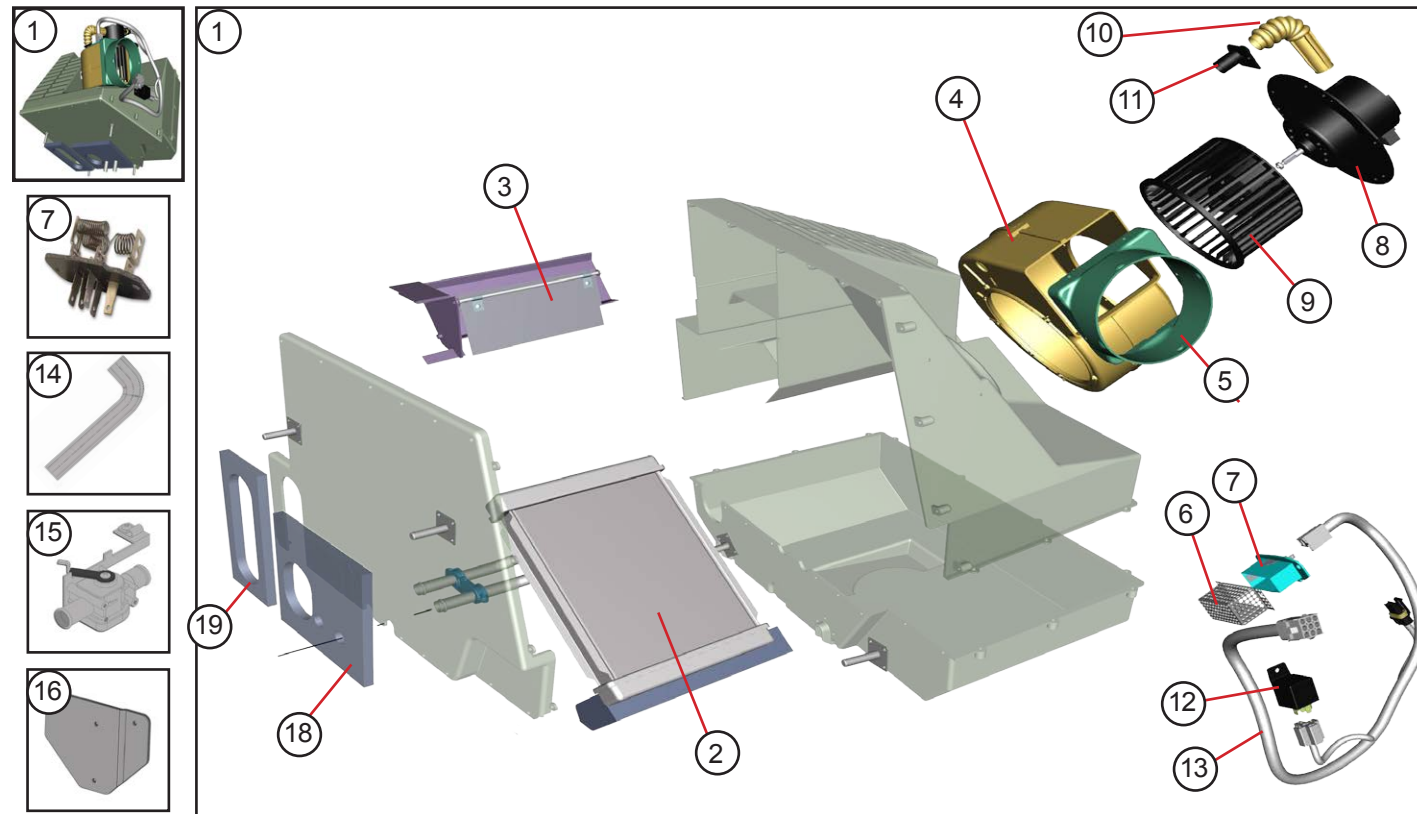
ITEM #	PART #	DESCRIPTION	QTY.	UNIT
1	105024202	STEP ASSEMBLY LH 93W 11'X4" & 14'X4"	1	EA
1	115024201	STEP ASSEMBLY LH 93W 16'	1	EA
2	095024242	STEP ASSEMBLY RH 93W 11'X4" & 14'X4"	1	EA
2	115024202	STEP ASSEMBLY RH 93W 16'	1	EA
3	077240400	CROSS MEMBER CENTER AL 456106X41	1	EA
4	077050402	SHIM AL .25X1.62X20.8	1	EA
5	40900080	STUD	7	EA
6	40900081	GROMMET HALF	7	EA
7	40900082	SPRING	7	EA
8	115024207	FLOOR TRANSVERSE WELDMENT	1	EA
9	42002055	INSULATION SOUND ABSORB FLOOR-MAT 60X95	1	EA
10	095019440	TRIM MATT @ O/LINE ALD .08X2.29X51	1	EA
11	090019402	TRIM STEP ALD .08X2.68X27.25 LH	1	EA
12	090019403	TRIM STEP ALD .08X2.69X26.50 RH (OPTIONAL)	1	EA
13	095019436	TRIM TOE-BOARD ALD .08X7.32X39.52 LH	1	EA
14	095019437	TRIM TOE-BOARD ALD .08X7.54X23.87 RH	1	EA
NS	41002103	SEALANT/ADHESIVE	2	EA
ENGINE BOX INSULATION				
16	093005405	INSULATION E/BX PSA 1X17.56X27.46 RH	1	EA
17	095005455	INSULATION E/BX PSA 1X12.18X28.34	1	EA
18	105005456	INSULATION E/BX 42002056X17.44X27.32	1	EA
19	105005457	INSULATION E/BX 42002056X12X25	1	EA
20	105005458	INSULATION E/BX SADDLE 42002056X7X21.5	1	EA

* FOR VEHICLES WITH BATTERY COMPARTMENT UNDER THE ROADSIDE STEP.

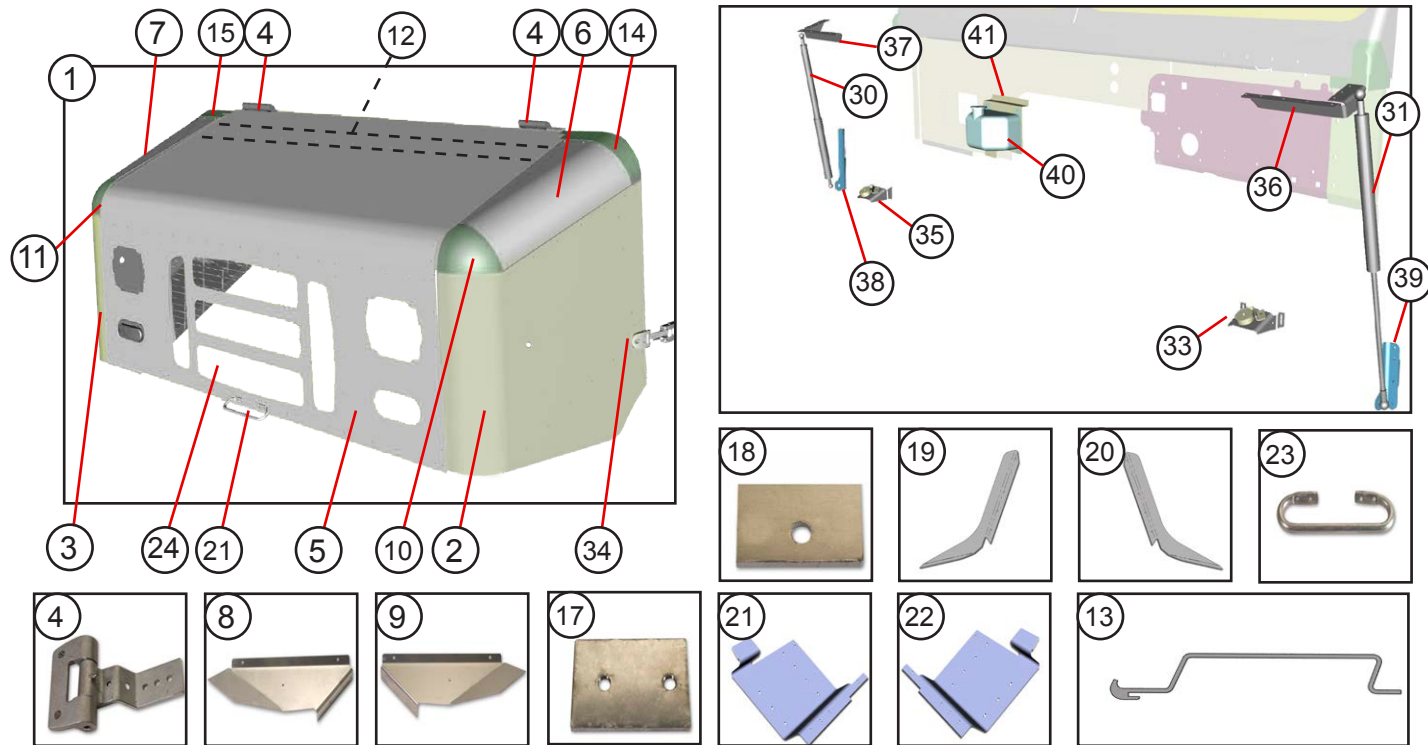


* FOR VEHICLES WITH BATTERY COMPARTMENT UNDER THE ROADSIDE STEP.

ITEM#	PART #	DESCRIPTION	QTY.	UNIT
1	115024201	STEP ASSEMBLY ROADSIDE	1	EA
2	115024202	STEP ASSEMBLY CURBSIDE	1	EA
3	1113334	LATCH STEPS	2	EA
4	115024411	BATTERY LID ALD .125X22.25X22.78	1	EA
5	006324498	HINGE AL .075X1.12X1.75X21	1	EA
6	077240400	CROSS MEMBER CENTER AL 456106X41	1	EA
7	96724408	STEP SUPPORT CURBSIDE AL .188X8.91X24.5	1	EA
8	138024416	SUPPORT ANGLE AL .188X3.58X11.5	1	EA
9	118024204	STEP ASSEMBLY ROADSIDE MID STEP	1	EA
10	40900081	GROMMET HALF	7	EA
11	40900082	SPRING	7	EA
12	40900080	STUD	7	EA
13	128068000	EMERGENCY FLARE KIT	1	EA
14	077240433	BRACKET TRASH HOLDER AL .125X11.78X16.37	1	EA
15	45200051	TRASH BIN	1	EA
16	077240438	GUSSET STEP CHANNEL AL .25X2.25X5.63	4	EA
17	077050402	SHIM AL .25X1.62X20.8	1	EA
18	083024460	CHANNEL CROSS MEMBER ROADSIDE AL 456109X23	1	EA
19	083024461	CHANNEL CROSS MEMBER CURBSIDE AL 456109X23	1	EA
20	105024209	FLOOR TRANSVERSE ALD .125X26.13X30.88	1	EA
21	117024407	TREAD STEP SUPPORT ALD .125X14.19X27.67	1	EA
22	084024415	RISER STEP FILLER AL .125X3.61X3.5	2	EA
23	96724608	DAMPENING PAD 45200007X9X20	1	EA



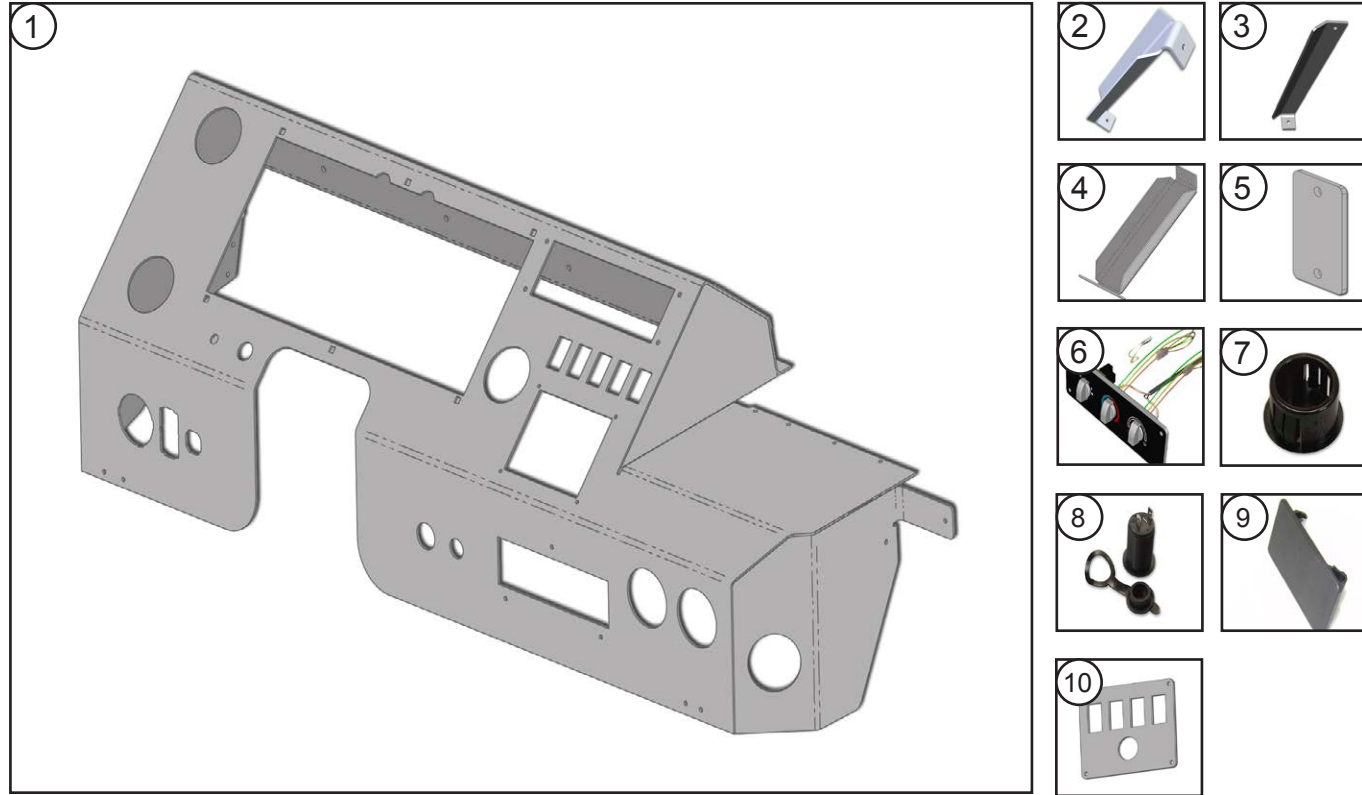
ITEM #	PART #	DESCRIPTION	QTY	UNIT
1	555001107	HEATER CORE ASSEMBLY	1	EA
2	47008760	HEATER COIL W/GASKET & CLAMP	1	EA
3	47008753	DOOR W/SEAL	1	EA
4	47008754	BLOWER HOUSING	1	EA
5	47008755	BLOWER ADAPTER	1	EA
6	47008732	RESISTER CAGE	1	EA
7	47008357	RESISTER	1	EA
8	47008756	BLOWER MOTOR	1	EA
9	47008757	BLOWER WHEEL	1	EA
10	47008730	VENT TUBE	1	EA
11	47008731	VENT TUBE ADAPTER	1	EA
12	47008716	RELAY	1	EA
13	47008758	HARNES	1	EA
14	47008580	FORMED HEATER HOSE	2	EA
15	555002053	VALVE WATER	1	EA
16	105080401	PLATE MOUNTING FOOT DUMP AL .07X4.25X5.53	1	EA
17	090080401	DUCT FT DUMP SPECIAL	1	EA
18	21-01201	GASKET - PART OF HEATER ASSEMBLY	1	EA
19	21-01202	GASKET - PART OF HEATER ASSEMBLY	1	EA
20	555001416	CONTROL PANEL ASSEMBLY	1	EA
21	47008706	KNOB	2	EA
22	47008735	KNOB	1	EA
23	47008707	DECAL	1	EA
24	47008708	LIGHT PANEL	1	EA
25	47008709	CONTROL SUB PANEL	1	EA
26	47008700	BLOWER SWITCH	1	EA
27	47008710	POTENTIOMETER SWITCH	2	EA
28	47008711	HARNES ILLUMINATION W/BULBS	1	EA
29	47008712	HARNES BLOWER MOTOR	1	EA
30	555001721	DEFROST DUCT CURBSIDE METAL	1	EA
31	555001722	DEFROST DUCT ROADSIDE METAL	1	EA
32	093080400	HOLD DOWN PLATE DEFROSTER DUCTS	4	EA
33	555001524	HOSE DEFROSTER 2.5X30	1	EA
34	555001525	HOSE DEFROSTER 2.5X38 (2X DEFROSTER / 1XFOOT DUMP)	3	EA
35	555002003	COLLAR FRESH AIR INTAKE	1	EA
36	555001715	LOUVER BALL	6	EA
38	107027405	BRACKET HEATER VENT	1	EA
39	555001533	HOSE BLOWER HEATER/DEFROSTER 5"X7.5"	1	EA
40	005780402	MOUNTING PLATE	1	EA
41	002080400	BRACKET HEATER CONTROL AL .102X3X11.67	1	EA
42	555001321	DUCT HVAC	1	EA
43	555001523	HOSE DEFROSTER 2.5X16	1	EA
44	47008017	CONNECTOR STRAIGHT .62ID BLACK NYLON	2	EA



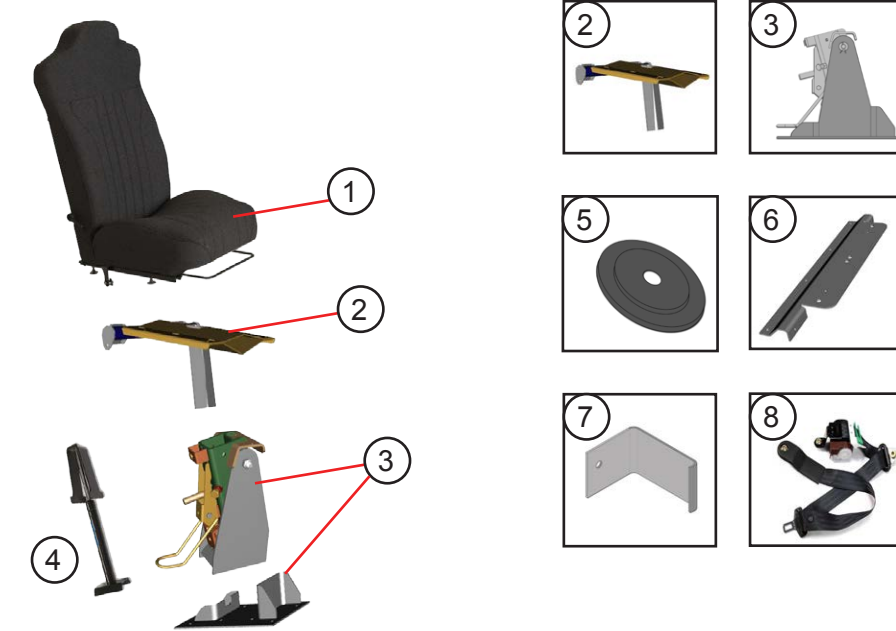
ITEM #	PART #	DESCRIPTION	QTY.	UNIT
1	115017200	HOOD ASSEMBLY 095017207	1	EA
2	095017405	HOOD SKIRT AL .07X27.89X29.9 ROADSIDE	1	EA
3	095017406	HOOD SKIRT AL .07X27.89X29.9 CURBSIDE	1	EA
4	47007852	HINGE ASSEMBLY	2	EA
5	105017402	PANEL HOOD AL .07X48.92X74	1	EA
6	095017407	COWL HOOD ROADSIDE AL .07X15.91X17.47 LH	1	EA
7	095017408	COWL HOOD CURBSIDE AL .07X15.91X17.47 RH	1	EA
8	95817312	GUSSET CORNER ROADSIDE AL .07X13.52X14.72	1	EA
9	95817313	GUSSET CORNER CURBSIDE AL .07X13.52X14.72	1	EA
10	45100057	CORNER CAST KNEE COWL FRONT ROADSIDE	1	EA
11	45100058	CORNER CAST KNEE COWL FRONT CURBSIDE	1	EA
12	088017420	STIFFENER HOOD AL 450015X68.62	1	EA
13	45001500	BRACKET HOOD AL HOOD X69.77	1	EA
14	45100060	CAP COWL END ROADSIDE	1	EA
15	45100061	CAP COWL END CURBSIDE	1	EA
17	91617304	PLATE TAP AL .188X2X2.69	2	EA
18	96717312	SHIM HOOD AL .125X.62X1.88	2	EA
19	095017420	STIFFENER HOOD AL .102X15.92X22.83 LH	1	EA
20	095017421	STIFFENER HOOD AL .102X15.92X22.83 RH	1	EA
21	095017422	STIFFENER HOOD AL .102X10.98X12 LH	1	EA
22	095017423	STIFFENER HOOD AL .102X10.98X12 RH	1	EA
23	90187300	GRAB HANDLE .5DIAX15.7	1	EA
24	45700101	MESH GRILLE 20.5X38.81	1	EA
NS	44004077	SEAL TAPE #1458BTXFT	4.42	FT



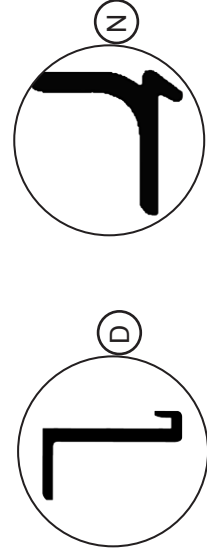
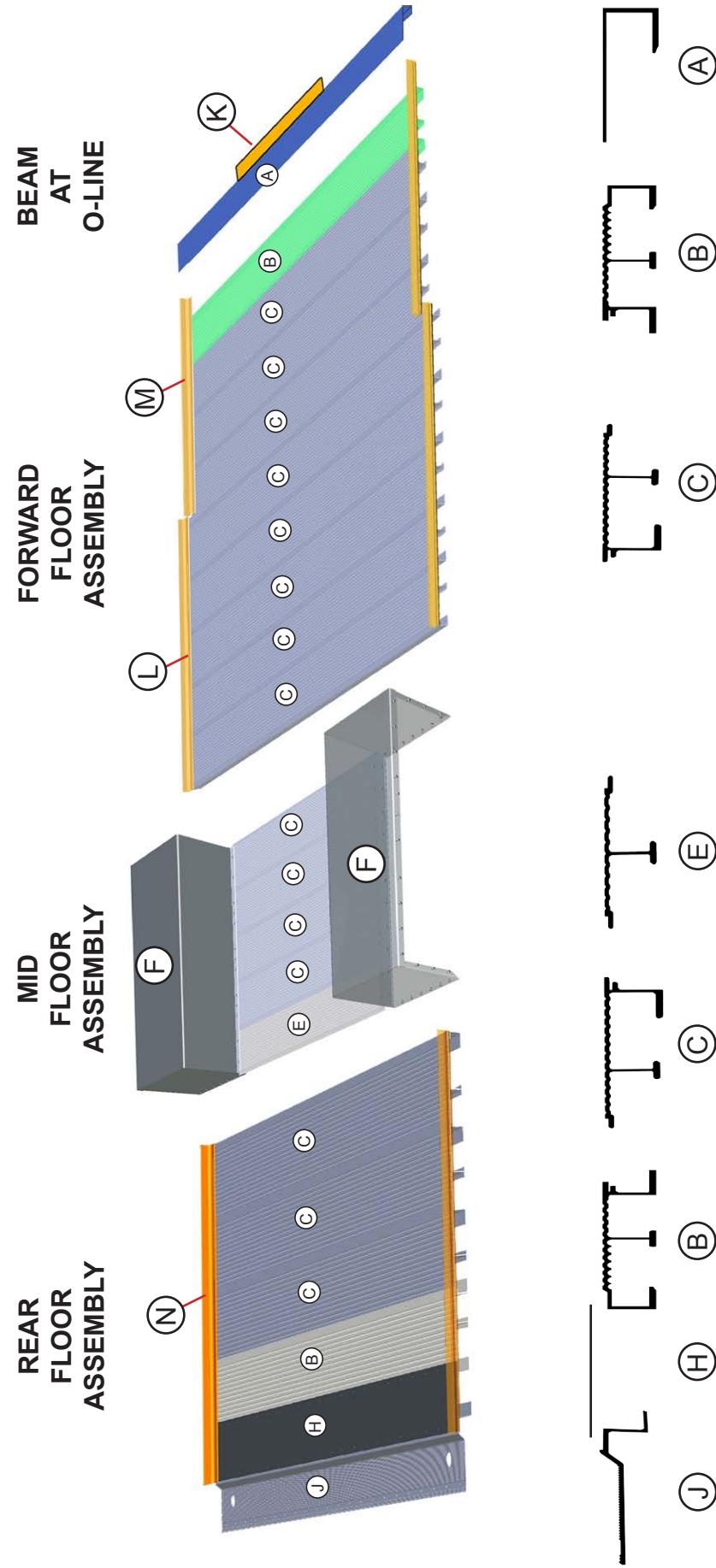
ITEM #	PART #	DESCRIPTION	QTY.	UNIT
29	44002004	BUMPER RUBBER HOOD REST	2	EA
30	47006105	GAS SPRING WITH LOCK 110LB	1	EA
31	47006106	GAS SPRING WITH OUT LOCK 110LB	1	EA
32	47006086	STUD BALL SUSPENSION	4	EA
33	077160400	BRACKET HOOD AL .125X6.76X7.75 LH	1	EA
34	077160401	BRACKET HOOD AL .125X6.76X7.75 RH	1	EA
35	47000613	LATCH HOOD	2	EA
36	095016401	BRACKET GAS SPRING AL .125X6.41X16.41 ROADSIDE	1	EA
37	095016402	BRACKET GAS SPRING AL .125X6.41X16.41 CURBSIDE	1	EA
38	077160405	BRACKET HOOD LOWER AL .188X2.84X6.34 CURBSIDE	1	EA
39	077160406	BRACKET HOOD LOWER AL .188X2.84X6.34 ROADSIDE	1	EA
40	095016403	CAB SKIRT SUPPORT AL .125X3.38X11.18	1	EA
41	095016404	CAB SKIRT SUPPORT AL .125X3.38X10.74	1	EA
42	45700101	MESH GRILLE 20.5X38.81	1	EA
43	47004505	WASHER BOTTLE WITH PUMP	1	EA
44	093063400	BRACKET WASHER BOTTLE AL .102X14.22X23.72	1	EA
45	093063401	BRACE BOTTLE BRACKET AL.102X2.28X11.24	1	EA
46	43000903	HOOD PROPER INSTRUCTIONS LABEL	1	EA
47	095017203	SUPPORT ASSEMBLY GRILL WELDMENT	1	EA
48	083016400	SHIM AL .102X1X5.5	2	EA
49	46000206	HEADLAMP ASSEMBLY	2	EA
50	077150400	BRACKET HOOD REST	2	EA
51	96713300	ANGLE HOOD REST	2	EA



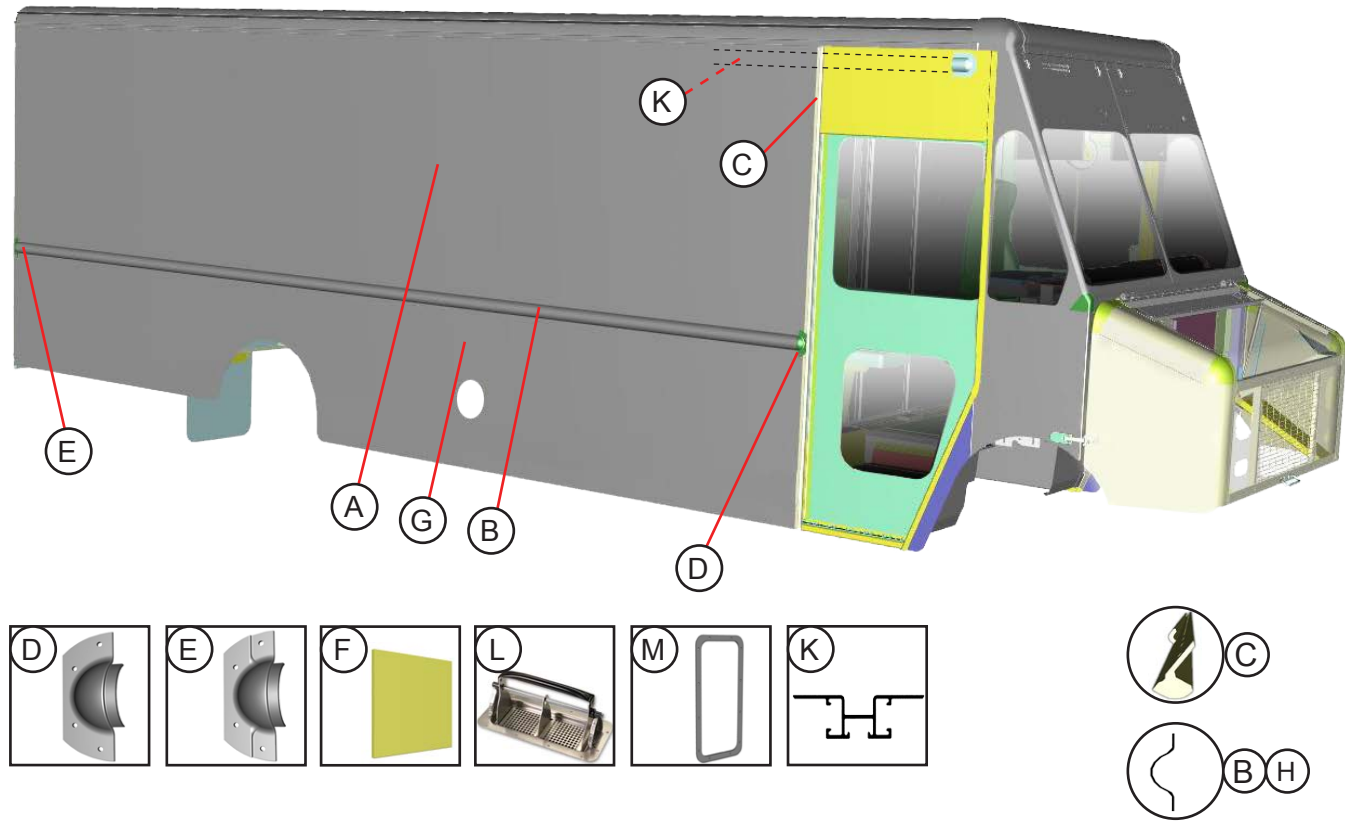
ITEM #	PART #	DESCRIPTION	QTY.	UNIT
1	095027207	INSTRUMENT PANEL WELDMENT FORD	1	EA
2	095027412	BRACE INSTRUMENT PANEL AL .102X3.43X18.39LH	1	EA
3	093027402	BRACKET STIFFENER AL .125X1.91X12.66	1	EA
4	093027403	BRACKET REINFORCEMENT AL .102X4.32X10.18	1	EA
5	095027408	BLOCK OFF PLATE AL .102X1.32X2.30	1	EA
6	555001416	PANEL CONTROL HVAC	1	EA
7	1111513	PLUG BLACK ROUND	1	EA
8	46026378	RECEPTACLE 12 V	1	EA
9	46023506	PLATE FILLER ROCKER SWITCH	4	EA
10	006327437	PLATE FILLER 4RKR AL .07X4.5X5.5	1	EA



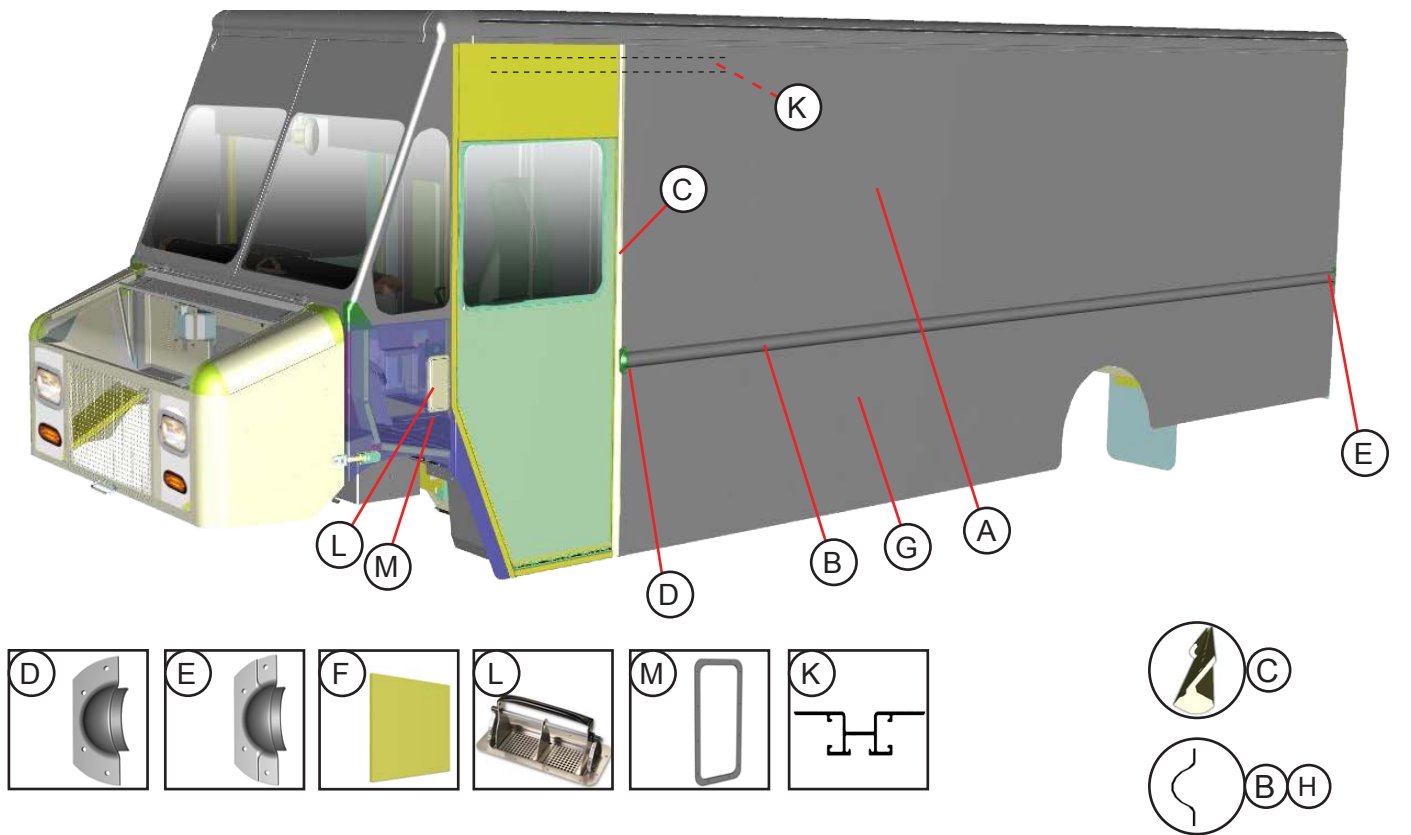
ITEM #	PART #	DESCRIPTION	QTY.	UNIT
1	47004971	SEAT VINYL BLACK DRIVER LUMBAR	1	EA
1	47004655	SEAT CLOTH COVERING BLACK LUMBAR	1	EA
2	47004332	PEDESTAL SEAT UPPER 3PNT/IN	2	EA
3	47012659	SEAT SOCKET PEDESTAL ASSEMBLY 3PNT TILT RS	1	EA
3	083068210	SEAT SOCKET PEDESTAL ASSEMBLY 3PNT TILT CS	1	EA
4	47003636	GAS SPRING HOLDER ASSEMBLY	2	EA
5	1102023	PLUG TIE DOWN CAST	1	EA
6	005754400	SUPPORT BRACKET SEAT BELT STEEL 7GAX7.24X25.75	1	EA
7	139068400	SEAT STOP	1	EA
8	47007914	SEAT BELT BLACK W/O TETHERS	1	EA



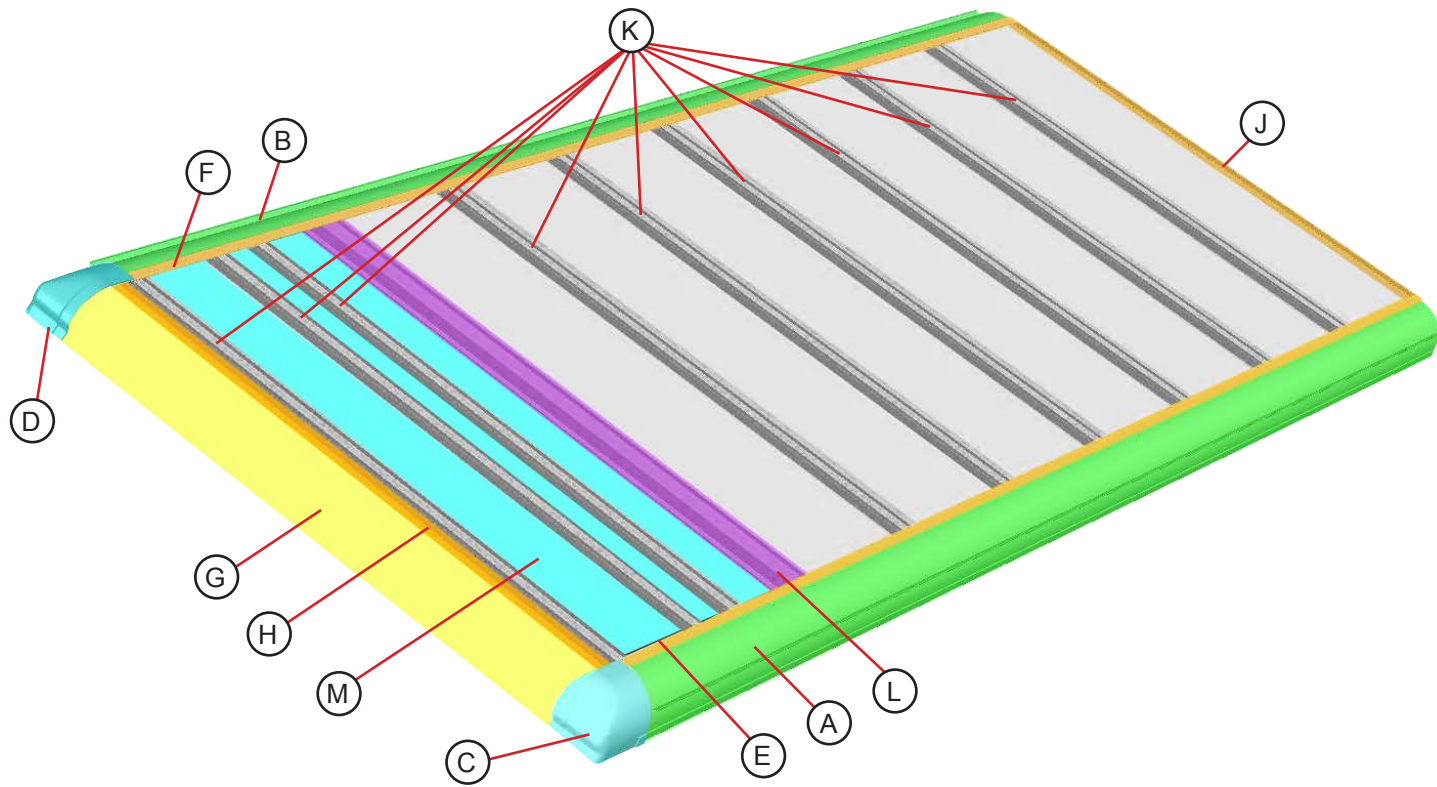
FLOOR ASSEMBLY			
ITEM	DESCRIPTION	PART #	
		BODY LENGTH	
		11'4" STD.	16' DV6
FLOOR FORWARD			
A	BEAM @ O LINE	095031407 x1	095031407 x1
B	BEAM FLOOR RIBBED 450583 7"	095031487 x1	095031487 x1
C	BEAM FLOOR RIBBED 450584 8"	095031452 x3	095031452 x1
C	BEAM FLOOR RIBBED 450587 8.5"	095031477 x1	095031477 x1
C	BEAM FLOOR RIBBED 450586 9" x86.25"	095031435 x2	095031435 x2
C	BEAM FLOOR RIBBED 450586 9" x92.25"	095031427 x4	095031427 x6
K	ANGLE STEP	003330525 x1	003330525 x1
L	ANGLE ATTACH FLOOR	095031415 LH	095031417 LH
L	ANGLE ATTACH FLOOR	095031418 RH	095031420 RH
M	ANGLE ATTACH FLOOR FWD	095031424 x2	095031424 X2
FLOOR MID			
E	BEAM FLOOR T 450585	095032426 x1	095032426 x1
C	BEAM FLOOR RIBBED 450586 9"	095032428 x4	095032428 x4
F	WHEEL BOX ASSEMBLY	095032206 x2	095032206 x2
D	ANGLE ATTACH W/BOX 450018	095032425 x2	095032425 x2
FLOOR REAR			
C	BEAM FLOOR RIBBED 450587 8.5"	095031477 x1	095031477 x1
C	BEAM FLOOR RIBBED 450586 9"	095031427 x1	095031427 x3
C	BEAM FLOOR RIBBED 450584 8"		095031452 x1
B	BEAM FLOOR RIBBED 450583 7"	095033417 x1	095033417 x1
H	PLATE FILLER	095033437 x1	095033437 x1
J	DROP SILL FLOOR	45059200 x1	45059200 x1
N	ANGLE FLOOR TO SIDE 450303	095033410 x2	095033413 x2



SIDE ASSEMBLY CURBSIDE							
ITEM	DESCRIPTION	PART #					
		BODY LENGTH / HEIGHT					
		11'4" X 73"	11'4" X 81"	14'4" X 73"	14'4" X 81"	14'4" X 85"	16' X 81"
SIDE ASSEMBLY UPPER							
A	SIDE PANEL UPPER	088038389	088038385		088038398	088038400	088038320
B	RUB RAIL	088039474	088039474		088039476	088039476	088039305
C	"B" POST	095038402	095038404	095038402	095038404	095038406	095038404
D	END CAP FRONT	1100800	1100800	1100800	1100800	1100800	1100800
E	END CAP REAR	1100799	1100799	1100799	1100799	1100799	1100799
F	PLATE FILLER	7600165	7600165	7600165	7600165	7600165	7600165
SIDE ASSEMBLY LOWER							
G	SIDE PANEL LOWER	095037408	095037408		095037414		095037418
D	END CAP FRONT	1100800	1100800	1100800	1100800	1100800	1100800
E	END CAP REAR	1100799	1100799	1100799	1100799	1100799	1100799
J	STIFFENER ANGLE LWR	1100486	1100486	1100486	1100486	1100486	1100486
MISL & OPTIONAL ITEMS							
K	STIFFENER HEADER	101048413					
L	VENT 2WAY HINGELESS	47008545	47008545	47008545	47008545	47008545	47008545
M	GASKET FOR VENT	47008548	47008548	47008548	47008548	47008548	47008548



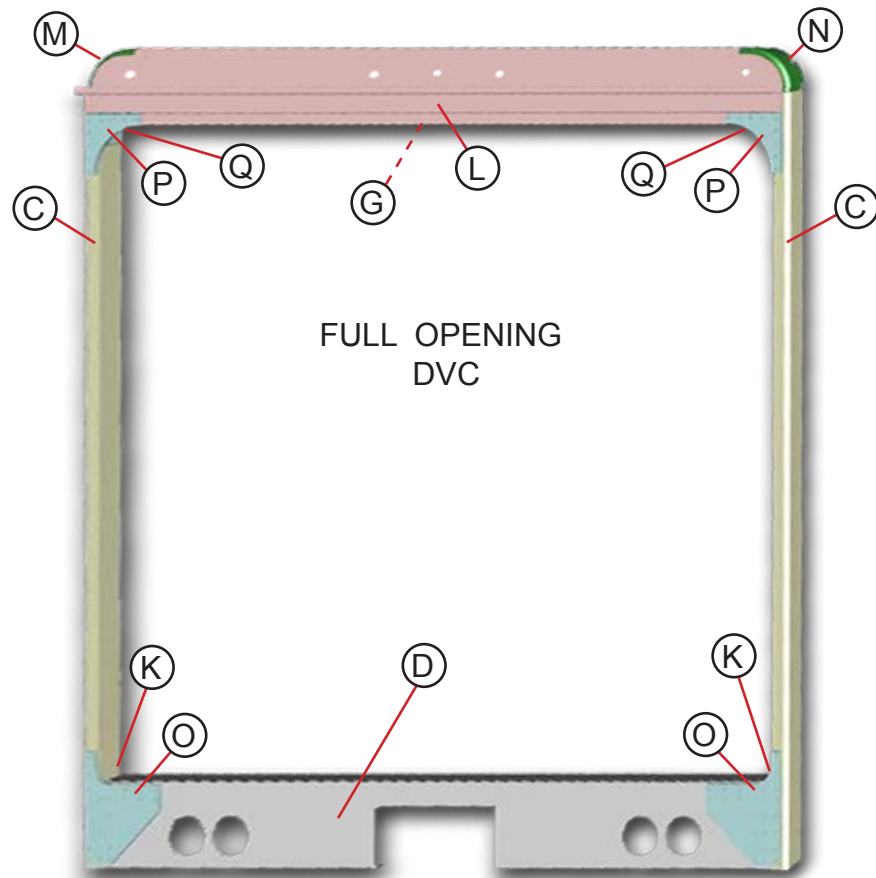
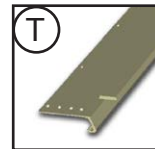
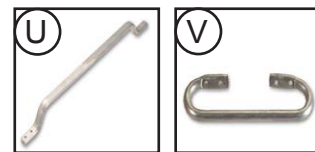
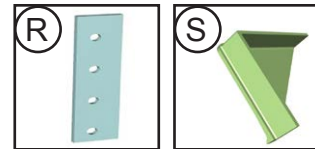
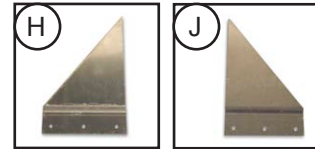
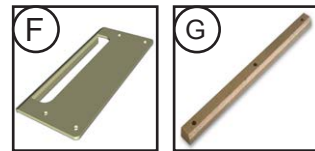
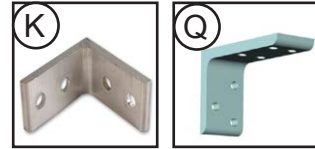
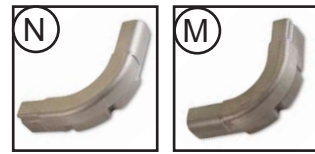
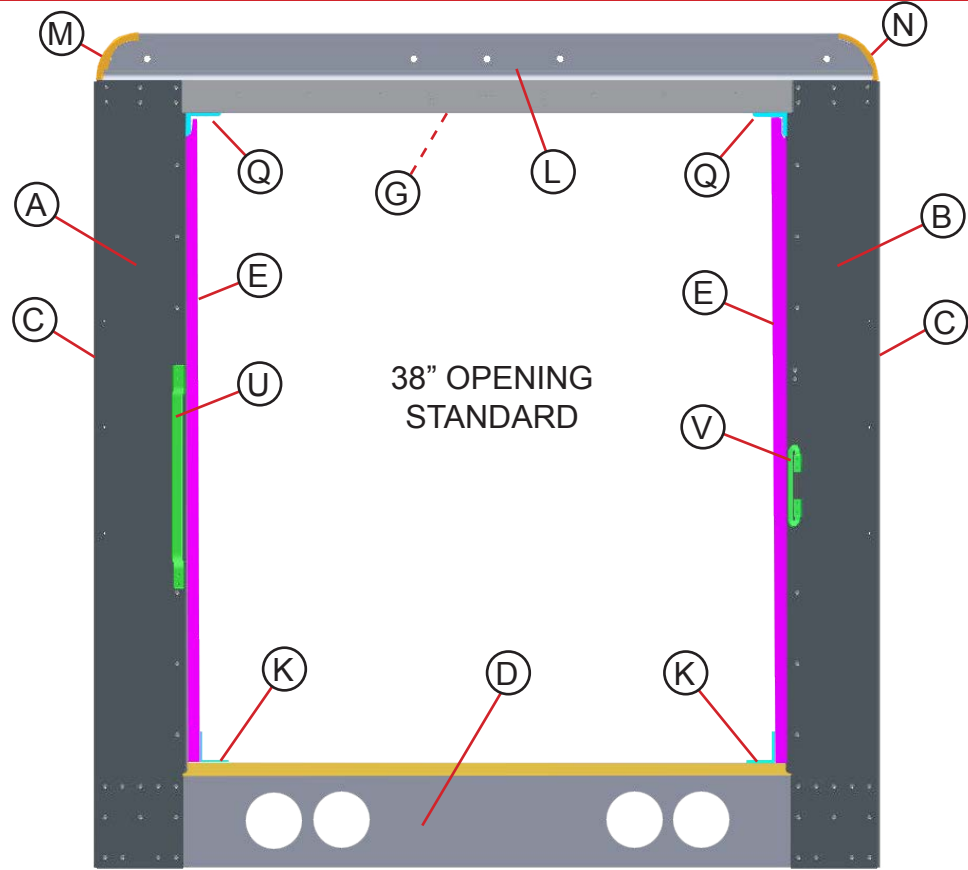
SIDE ASSEMBLY ROADSIDE							
ITEM	DESCRIPTION	PART #					
		BODY LENGTH / HEIGHT					
		11'4" X 73"	11'4" X 81"	14'4" X 73"	14'4" X 81"	14'4" X 85"	16' X 81"
SIDE ASSEMBLY UPPER							
A	SIDE PANEL UPPER	088038389	088038385		088038398	088038400	088038320
B	RUB RAIL	088039474	088039474		088039476	088039476	088039305
C	"B" POST	095038401	095038403	095038401	095038403	095038405	095038403
D	END CAP FRONT	1100800	1100800	1100800	1100800	1100800	1100800
E	END CAP REAR	1100799	1100799	1100799	1100799	1100799	1100799
F	PLATE FILLER	7600165	7600165	7600165	7600165	7600165	7600165
SIDE ASSEMBLY LOWER							
G	SIDE PANEL LOWER	095037407	095037407		095037413		095037417
D	END CAP FRONT	1100800	1100800	1100800	1100800	1100800	1100800
E	END CAP REAR	1100799	1100799	1100799	1100799	1100799	1100799
J	STIFFENER ANGLE LWR	1100486	1100486	1100486	1100486	1100486	1100486
MISL & OPTIONAL ITEMS							
K	STIFFENER HEADER	101048413					
L	VENT 2WAY HINGELESS	47008545	47008545	47008545	47008545	47008545	47008545
M	GASKET FOR VENT	47008548	47008548	47008548	47008548	47008548	47008548



ITEM #	DESCRIPTION	BODY LENGTH & WIDTH		
		11'4" x 93"W	14'4" x 93W	16'X93"W
A	RAIL ROOF LH	098010441	098010451	098010407
B	RAIL ROOF RH	098010442	098010452	098010408
C	CORNER AL CAST ROOF LH	077100400	077100400	077100400
D	CORNER AL CAST ROOF RH	077100401	077100401	077100401
E	INTERLOCK RAIL ROOF LH	088010544	088010550	088010512
F	INTERLOCK RAIL ROOF RH	088010545	088010551	088010513
G	NOSE ROOF	083010400	083010400	083010400
H	INTERLOCK NOSE ROOF	89310506	89310506	89310506
J	INTERLOCK TRANSOM	89310507	89310507	89310507
K	ROOF BOW	45601603	45601603	45601603
L	ROOF BOW @ O' LINE	89310478	89310478	118010402
M	LINER ROOF CAB	083011470	083011470	083011470
N	CLIP PLASTIC FLAT HEAD	47006610	47006610	47006610
O	GROMMET (ROOF WIRING)	44000052	44000052	44000052
P	BRACKET DOME LAMP	100092401	100092401	100092401
NS	SKIN ROOF FIBERGLASS		088010149	
NS	SKIN ROOF TRANSLUCIENT *			
NS	SKIN ROOF ALUMINUM	088010138	45200851	088010077

* OPTION CODE BR

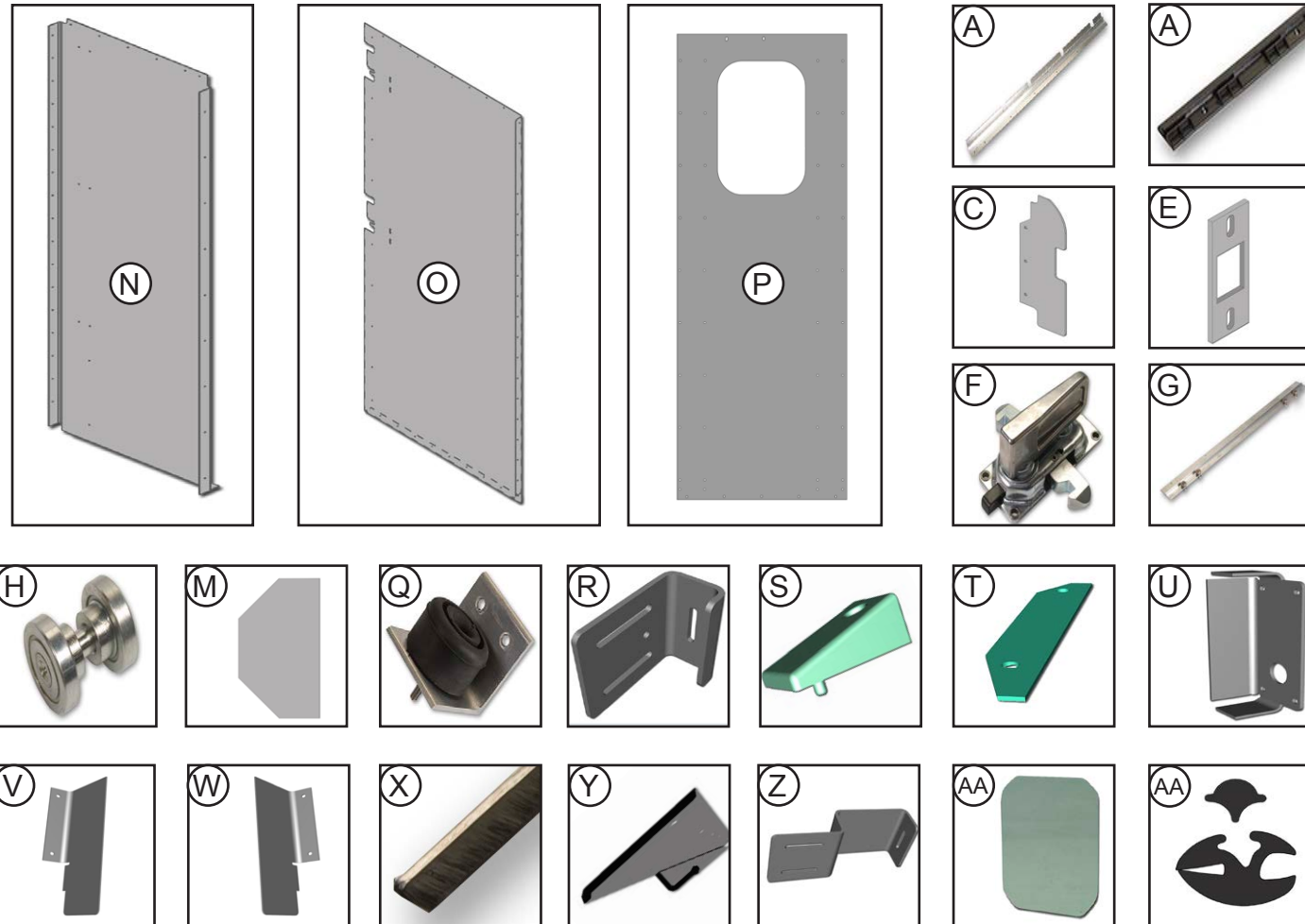
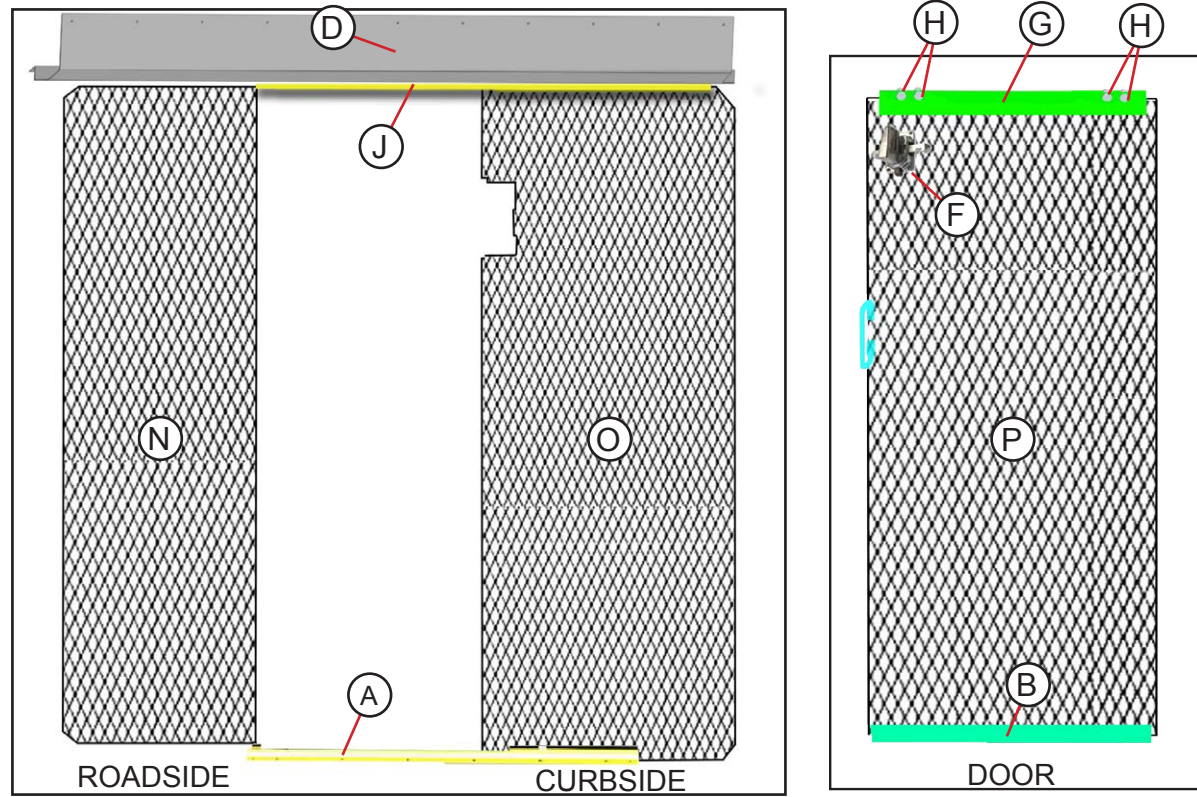




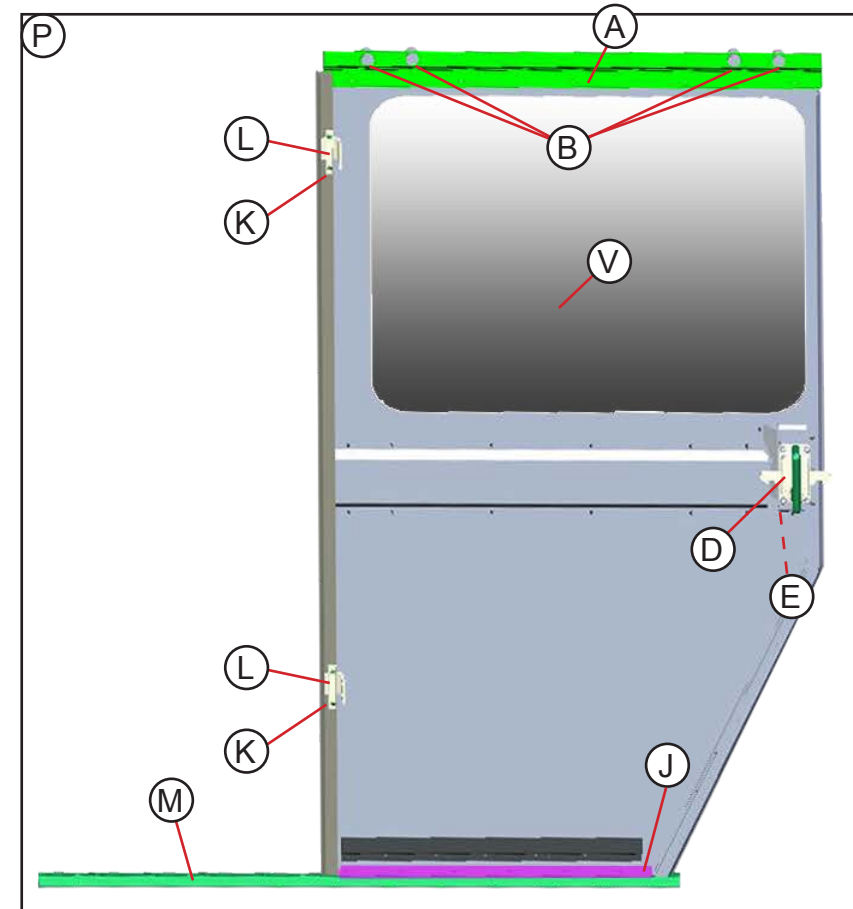
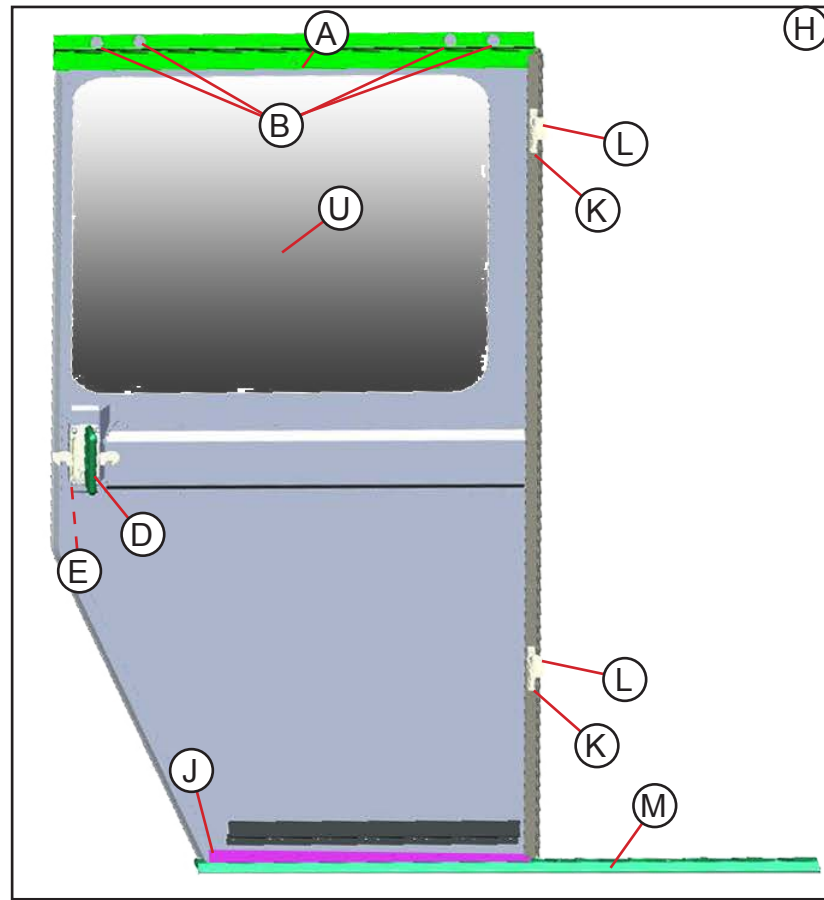
BACK ASSEMBLY - 38" OPENING FOR 2 PIECE DOORS STANDARD				
ITEM #	DESCRIPTION	BODY WIDTH & HEIGHT		
		73" x 93"W	81" x 93W	85" x 93"
A	PANEL REAR LH	083050701	083050703	
B	PANEL REAR RH	083050701	083050703	
C	CHANNEL POST CORNER	083053451	083053452	
D	SILL REAR	083053601	083053601	
E	POST HINGE	083050460	083050461	
F	STRIKER PLATE DOOR LOWER	083050460	004051401	
G	STRIKER BRONZE DOOR UPPER	45100106	45100106	
H	GUSSET UPPER LH	90650304	90650304	
J	GUSSET UPPER RH	90650305	90650305	
K	ANGLE CLIP	96750313	96750313	
L	TRANSOM HEADER	083050410	083050410	
M	CORNER CAST LH *	45100009	45100009	
N	CORNER CAST RH *	45100010	45100010	
Q	CLIP HOLDER	89353301	89353301	

BACK ASSEMBLY - FULL OPENING FOR 2 PIECE DOORS DVD				
ITEM #	DESCRIPTION	BODY WIDTH & HEIGHT		
		73" x 93"W	81" x 93W	85" x 93"
C	CHANNEL CORNER POST		083053452	083053453
D	SILL REAR		083053601	083053601
F	PLATE STRIKER DOOR LOWER		004051401	004051401
G	STRIKER BRONZE DOOR UPPER		45100106	45100106
K	ANGLE CLIP		1126108	1126108
L	TRANSOM		083050410	083050410
O	GUSSET LOWER		083052400	083052400
Q	CLIP HOLDER			
T	TRANSOM HEADER			77552018
S	GUSSET AL CAST		1126226	1126226

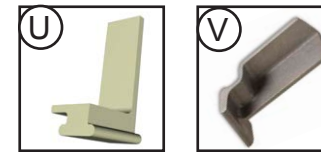
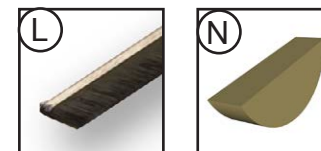
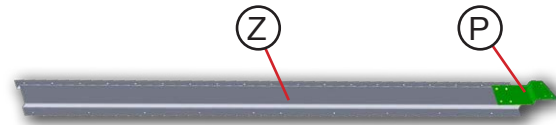
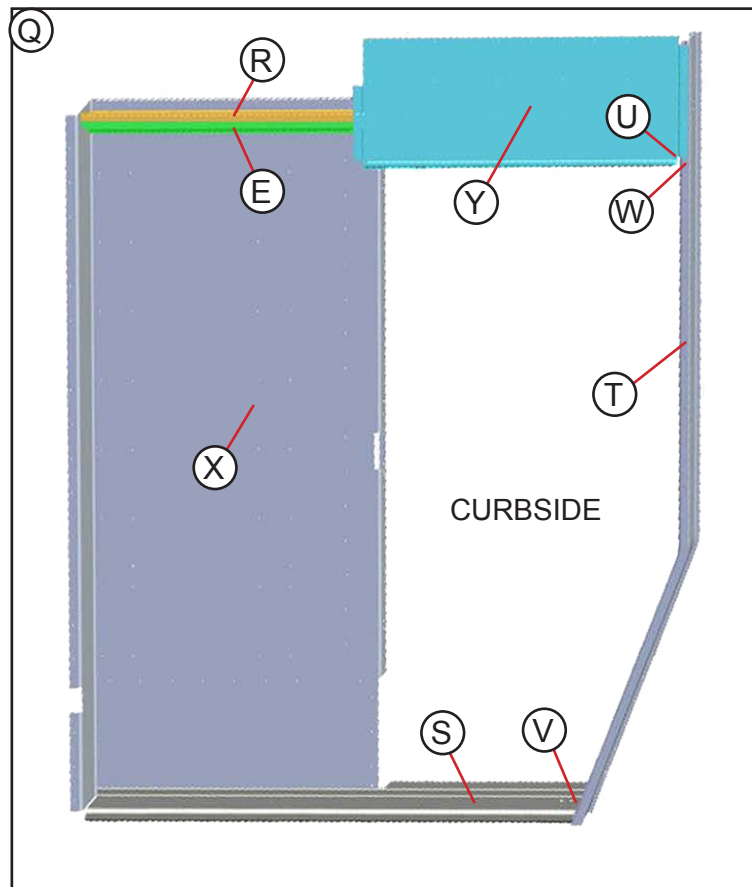
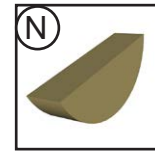
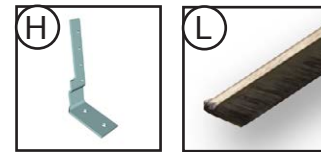
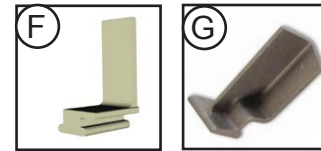
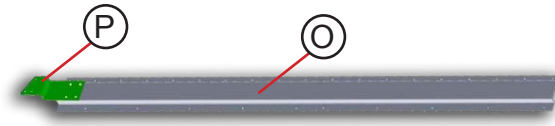
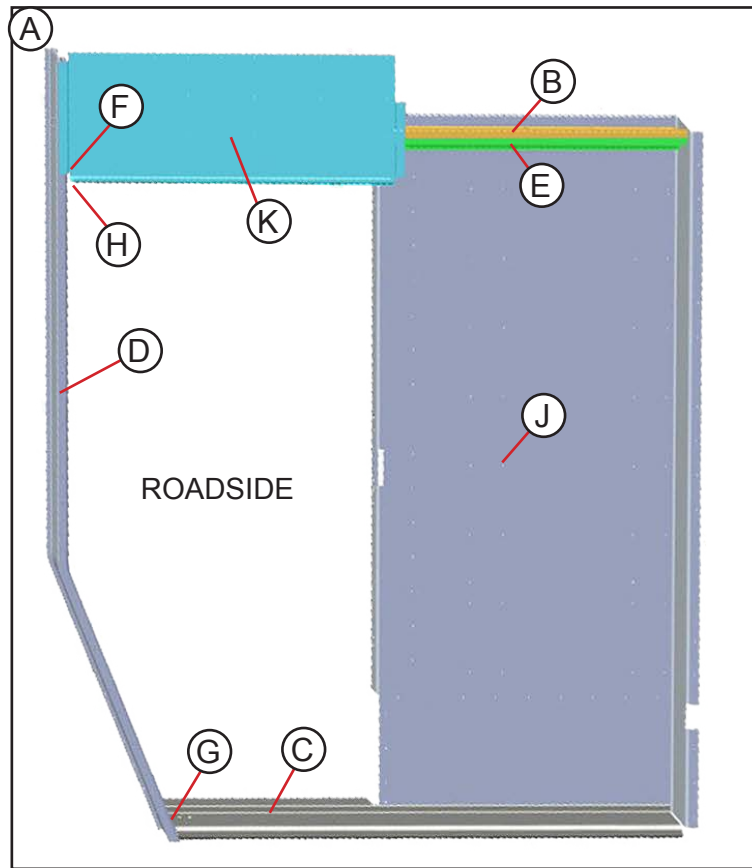
BACK ASSEMBLY - FULL OPENING FOR ROLL UP DOORS DVC				
ITEM #	DESCRIPTION	BODY WIDTH & HEIGHT		
		73" x 93"W	81" x 93W	85" x 93"
C	CHANNEL CORNER POST	083053451	083053452	
D	SILL REAR	083053601	083053601	
K	ANGLE CLIP	1126108	1126108	
L	TRANSOM HEADER	083053401	083053401	
O	GUSSET LOWER	7400206	7400206	
P	GUSSET UPPER	7400207	7400207	
Q	CLIP HOLDER	89353301	89353301	
R	SHIM GUSSET	7400208	7400208	
U	GRAB HANDLE	98150310	98150310	98150310
V	GRAB HANDLE	90187300	90187300	90187300



BULKHEAD					
ITEM #	DESCRIPTION	BODY HEIGHT & WIDTH			
		73" x 93"W	81" x 93W	85" x 93"	
A	GUIDE DOOR ALUMINUM	96770316	96770316	96770316	
A	GUIDE DOOR NYLON BLACK	47002766			
B	GUIDE STRIP DOOR BOTTOM	96335398	96770304	088070434	
C	FILLER BULKHEAD PANEL		128072433	088070478	
D	PANEL HEADER BULKHEAD		128072423	088070414	
E	STRIKER BULKHEAD		138072400		
F	LOCK MECHINISM	1113016	1113016	1113016	
G	HANGER DOOR ASSEMBLY	96335252	130156200	088070206	
H	BEARINGS ROLLER 4PR	47006595	47006595	47006595	
J	TRACK DOOR ASSEMBLY	1101323	138041202		
K	DOOR ASSEMBLY BULKHEAD		128072216	088070201	
M	PLATE COVER BULKHEAD		135072409		
Q	DOOR STOP ASSEMBLY	5903152		5903152	
R	BRACKET STRIKER LH	088070431		088070431	
S	CHOCK DOOR NYLON	45200208		45200208	
T	SHIM DOOR HANDLE	06M202043		06M202043	
U	SPACER HANDLE	088070433	120133400	088070433	
V	PLATE HEADER FILLER LH			088070441	
W	PLATE HEADER FILLER RH			088070443	
X	SEAL BRUSH TYPE B			44008050	
Y	CHANNEL BULKHEAD UPPER			088070438	
Z	BRACKET STRIKER RH			088070432	
NS	STIFFENER JUMPSEAT	083069404	083069404	083069404	
PANELS - BULKHEAD					
		BODY HEIGHT & WIDTH			
		CURBSIDE	73" x 93"W	81" x 93W	
N	PANEL BKHD MESH (SHOWN) DPA			128072437	
N	PANEL BKHD SOLID		137070404		088070400
ROADSIDE					
O	PANEL BKHD MESH (SHOWN) DPA			128072435	
O	PANEL BKHD SOLID		145070400		088070403
DOOR					
P	PANEL DOOR MESH (SHOWN) DPA			128072436	
P	PANEL DOOR SOLID		96335394		088070426
P	PANEL DOOR W/ WINDOW DPW		145070408		
AA	WINDOW KIT		60056106		



	DOORS SLIDING	STANDARD	3"		
ITEM #	DESCRIPTION				
H	DOOR ASSEMBLY CURBSIDE	115060206	118060206		
P	DOOR ASSEMBLY ROADSIDE	115060207	118060205		
	HARDWARE AND WINDOWS				
A	HANGER ASSEMBLY	96760203	96760203		
B	BEARINGS ROLLER	47006595	47006595		
C	SEAL BRUSH TYPE B	44008050	44008050		
D	LATCH MECH INNER	1113016	1113016		
E	SPACER LATCH	087181	087181		
F	HANDLE DOOR N/CYLINDER	47000689	47000689		
G	CYLINDER LOCK	47001181	47001181		
J	WEAR STRIP	095060448	98760306		
K	SPACER ANTI RATTLE	45200206	45200206		
L	CLIP ANTI RATTLE	96760318	96760318		
M	GUIDE DOOR NYLON MOULDED	47002766	47002766		
N	SEAL RUBBER FORWARD	44004104	44004104		
O	BUMPER RUBBER		44002011		
P	DOOR ASSEMBLY				
Q	BRACKET STRIKER CAST	45100094	45100094		
R	STRIKER BRONCZ	45100093	45100093		
S	STRIKER BRONCZ	45100163	45100163		
O	BUMPER RUBBER	44002011	44002011		
T	TRIM X2' ROLL	44000260	44000260		
U	WINDOW SLIDING RS	45800062	45800062		
V	WINDOW SLIDING CS	45800063	45800063		



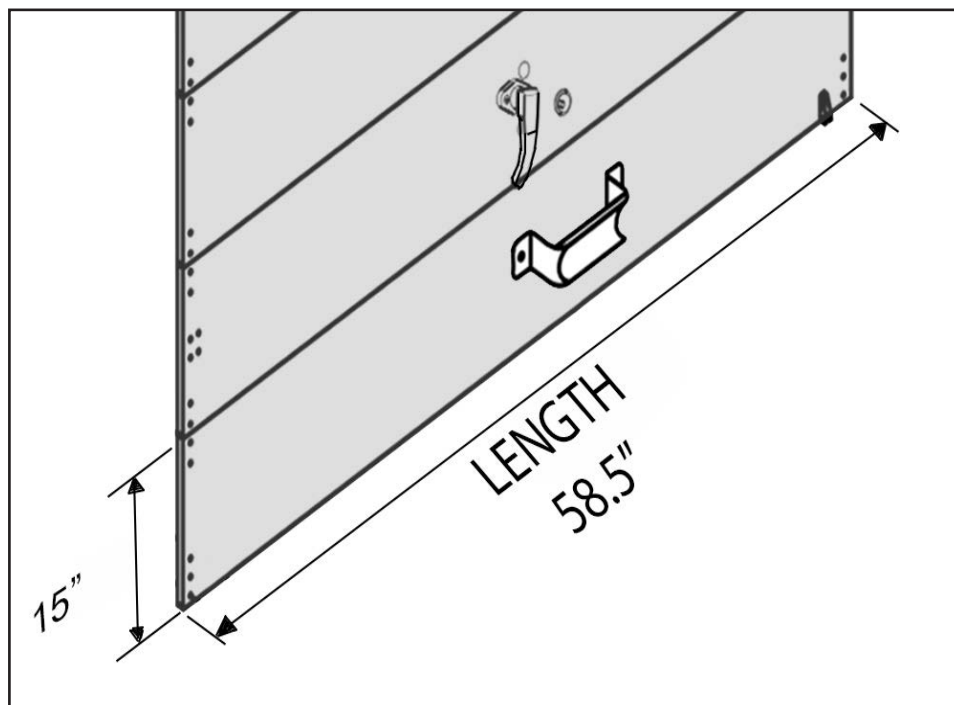
DOOR POCKETS					
ITEM #	DESCRIPTION	BODY HEIGHT			
		73"	81"	81" X 3"	85"
A	DOOR PKT ASSEMBLY ROADSIDE	095041211	095041213	077041212	095041215
B	CHANNEL HEADER	96741302	96741302	96741302	96741302
C	NOSING STEP	095041415	095041415	98741352	095041415
D	DOOR POST	095041407	095041409	077410402	095041411
E	TRACK DOOR UPPER	96741202	96741202	96741202	96741202
F	GUSSET AL CAST RS	45100048	45100048	45100048	45100048
G	CASTING DOOR POST LOWER	45100104	45100104	45100104	45100104
H	REINFORCEMENT A POST RS	001741407	001741407	001741407	001741407
J	PANEL DOOR POCKET	115041400	115041400	118041400	115041400
K	PANEL HEADER	077410412	077410406	077410406	077410404
L	SEAL BRUSH TYPE B	44004060	44004060	44004060	44004060
M	SEAL BRUSH TYPE C	44004050	44004050	44004050	44004050
N	PLUG WOOD RUBRAIL	45900001	45900001	45900001	45900001
O	STIFFENER HEADER		083042400	083042400	083042400
P	CLIP ZEE		96742302	96742302	96742302
		73"	81"	81" X 3"	85"
Q	DOOR PKT ASSEMBLY CURBSIDE	095041212	095041214	077041213	095041216
R	CHANNEL HEADER	96741303	96741303	96741303	96741303
S	NOSING STEP	095041416	095041416	98741353	095041416
T	DOOR POST	095041408	095041410	077410403	095041412
E	TRACK DOOR UPPER	96741202	96741202	96741202	96741202
U	GUSSET AL CAST CS	45100049	45100049	45100049	45100049
V	CASTING DOOR POST LOWER	45100105	45100105	45100105	45100105
W	REINFORCEMENT A POST CS	001741408	001741408	001741408	001741408
X	PANEL DOOR POCKET	115041401	115041401	118041401	115041401
Y	PANEL HEADER	077410413	077410407	077410407	077410405
L	SEAL BRUSH TYPE B	44004060	44004060	44004060	44004060
M	SEAL BRUSH TYPE C	44004050	44004050	44004050	44004050
N	PLUG WOOD RUBRAIL	45900001	45900001	45900001	45900001
Z	STIFFENER HEADER		083042401	083042401	083042401
P	CLIP ZEE		96742302	96742302	96742302



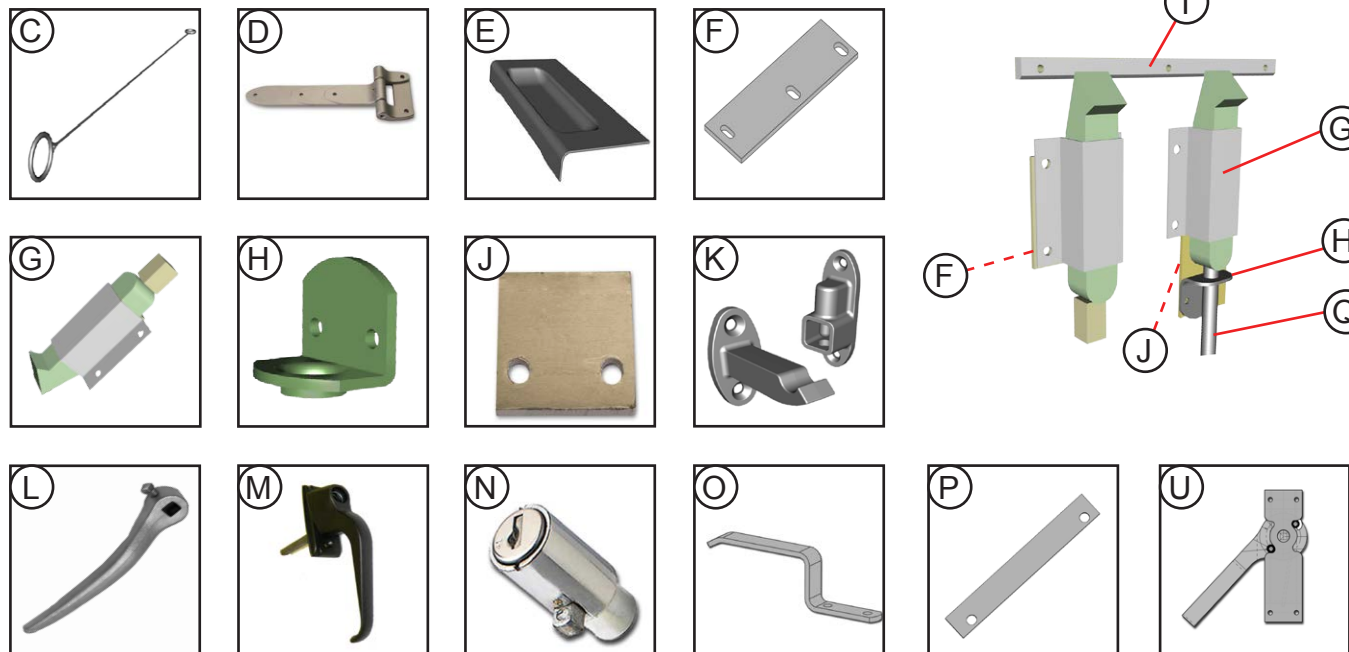
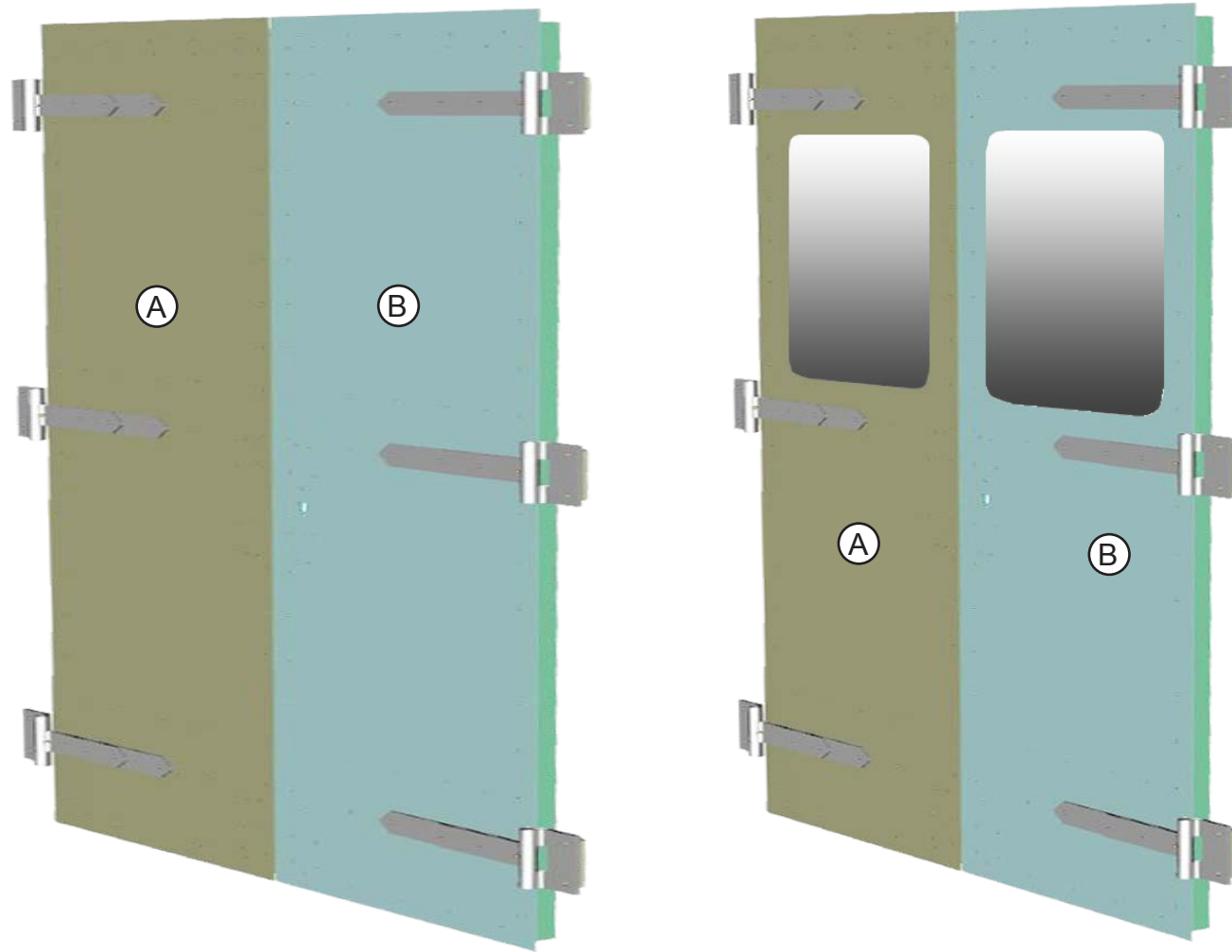
ROLL-UP DOOR SERIAL NUMBER LOCATION

WHEN ORDERING PARTS FOR ROLL-UP DOORS,
PLEASE PROVIDE THE FOLLOWING INFORMATION.
THE SERIAL NUMBER LOCATED ON THE INTERIOR TOP PANEL ROADSIDE EDGE.
THE LENGTH AND HEIGHT OF THE DOOR PANEL(S) TO BE ORDERED.

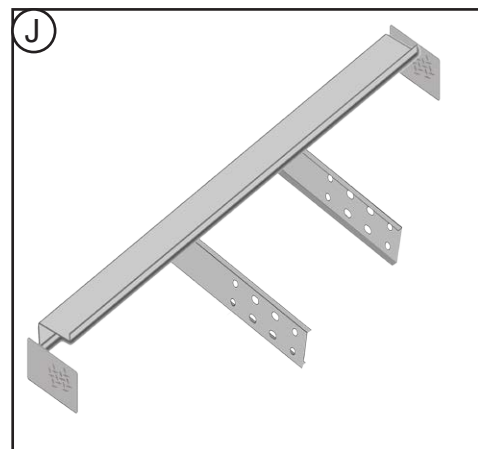
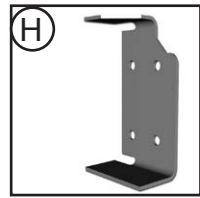
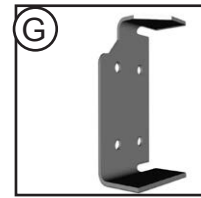
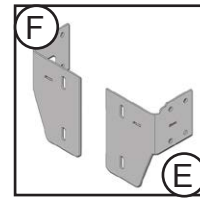
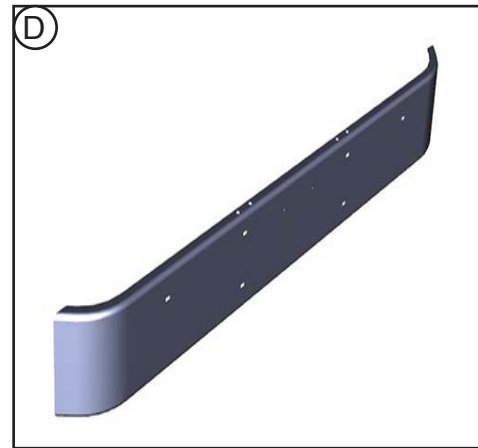
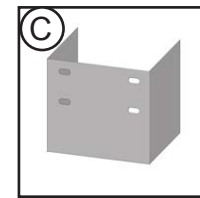
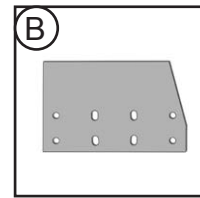
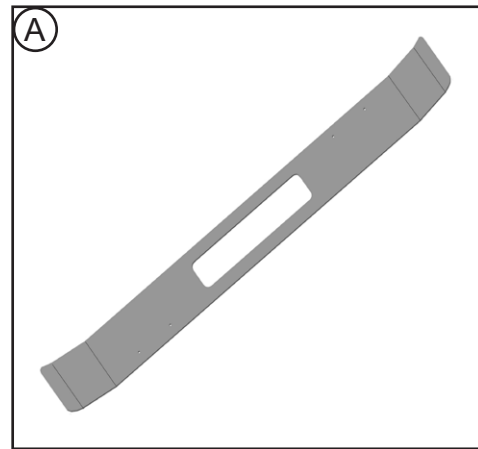
IN THE EVENT OF A DAMAGED, UN-READABLE OR MISSING SERIAL NUMBER,
PLEASE TRY TO PROVIDE THE COMPOSITION DETAILS OF THE DOOR PANEL.
(PLASTIC COATED, ALUMINUM CLAD, PLYWOOD, ETC.)



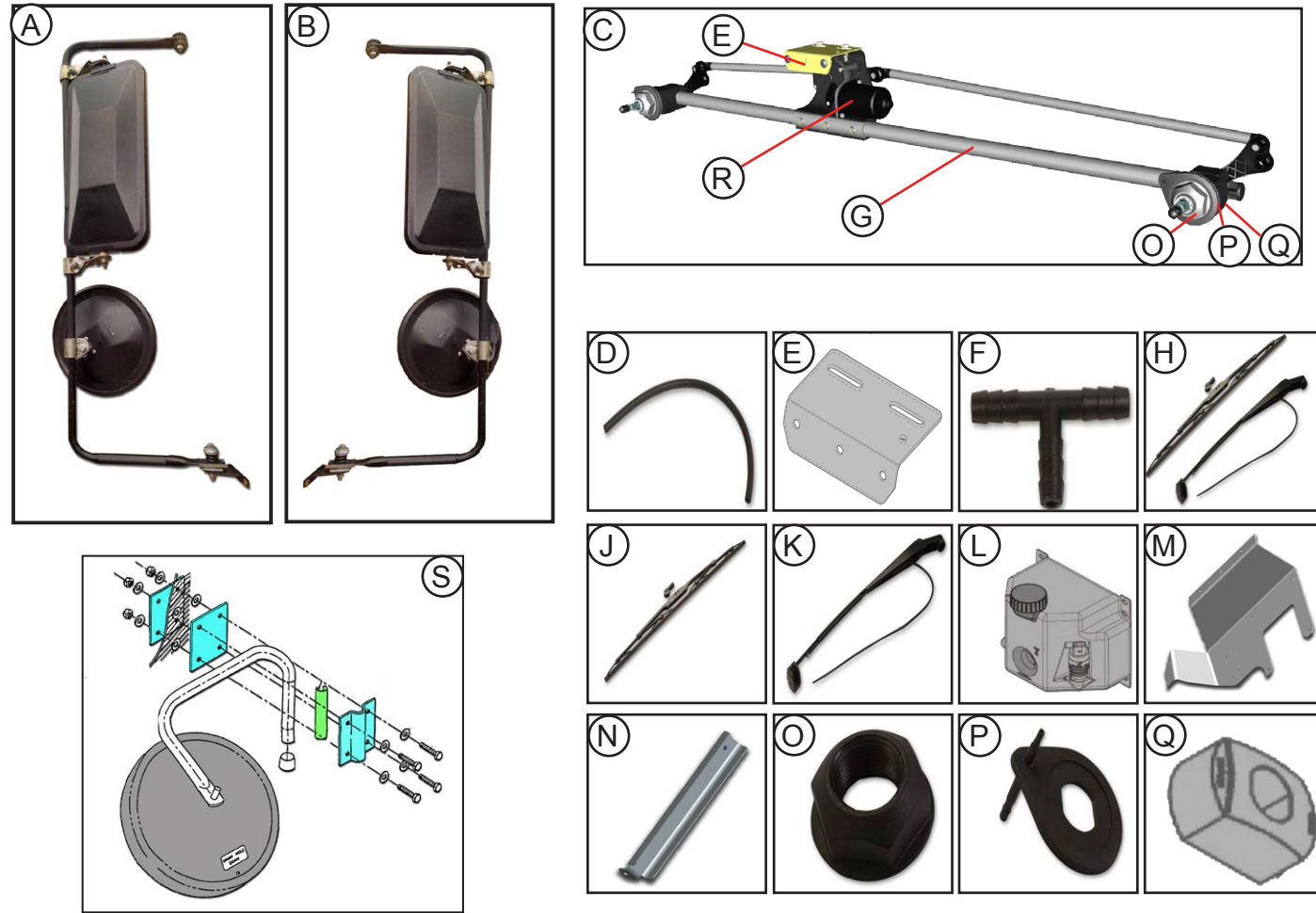
ITEM #	PART #	DESCRIPTION	QTY.	UNIT
1	47106383	ROLL UP DOOR PLYWOOD MAX SECURITY 89X74.38	1	EA
1	47106359	ROLL UP DOOR PLYWOOD MAX SECURITY 89X66.38	1	EA



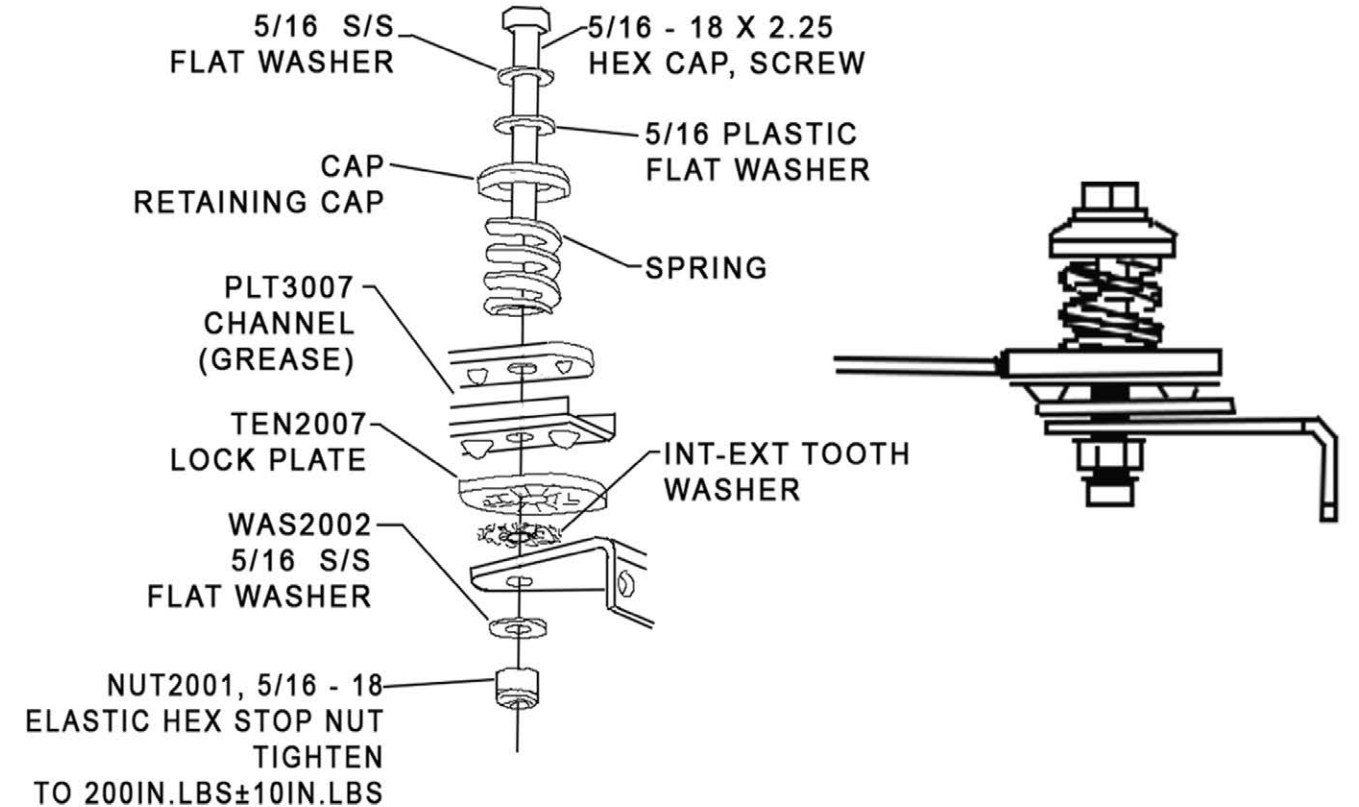
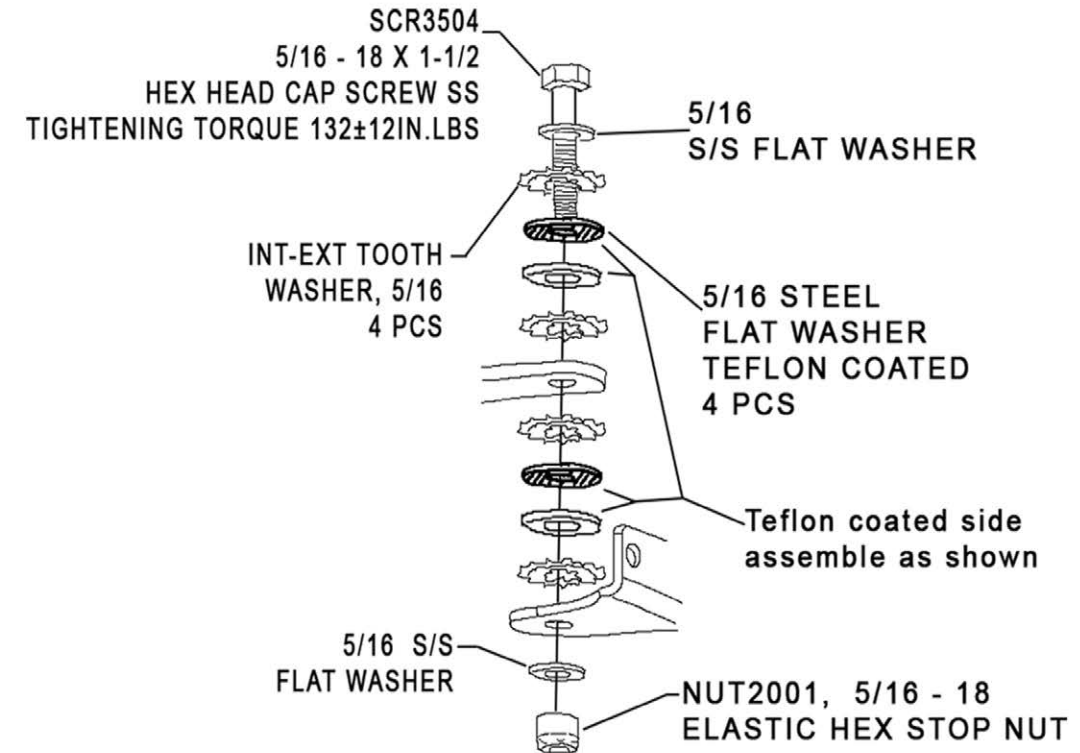
REAR DOOR ASSEMBLIES				
ITEM #	DESCRIPTION	BODY HEIGHT		
		73" STD.	81" CBI1	85" CBI2
A	DOOR REAR ASSY LH NO WDO	84352169		84353218
A	DOOR REAR ASSY LH W/ WDO		84352330	
B	DOOR REAR ASSY RH NO WDO	84352170		84353219
B	DOOR REAR ASSY RH W/ WDO		84352323	
C	CABLE	47000541	47000541	
D	HINGE STRAP W/ZERK	47007900 x4	47007900 x6	47007897
E	DUST PAN	7500036	7500036	7500036
F	SHIM LATCH DOOR	110051400	110051400	
G	LATCH FINGER PULL	1113021	1113021	
H	GUIDE ROD	1112011	1112011	1112011
J	SHIM GUIDE	7400126	7400126	
K	DOOR HOLDERS	1113035	1113035	1113035
L	HANDLE DOOR INT.	1113015	1113015	
M	HANDLE DOOR EXT.	47001176	47001176	47001176
N	CYLINDER LOCK	47001181	47001181	47001181
O	HANDLE DOOR FLAT INT.			103051409
P	SHIM MECHINISM		7401809	7401809
Q	ROD UPPER			47000539
NS	ROD LOWER			47000549
S	SEAL SPONGE P/N 1107047	9.9 FT	17.12 FT	14.82 FT
T	STRIKER BRONZE UPPER	45100106	45100106	45100106
U	HANDLE MECHINISM		47000547	47000547
	WINDOW GLASS			
	SEAL WINDOW			



BUMPER ASSEMBLIES			
		BODY WIDTH 93"	
ITEM #	DESCRIPTION		
A	BUMPER FRONT	47003814	
B	HANGER PLATE	998506341	
C	BRACKET BUMPER FRONT	095008405	
D	BUMPER FRONT	004057457	
E	BUMPER FRONT WELDMENT LH	115008200	
F	BUMPER FRONT WELDMENT RH	115008201	
G	BRACKET BUMPER FRONT LH	115008402	
H	BRACKET BUMPER FRONT RH	115008403	
J	BUMPER ASSEMBLY REAR DIA PLATE	008257208	
NS	BUMPER REAR W/ HITCH 8" F-59	145057200	
NS	BUMPER REAR W/ HITCH 8" DIA PLATE	135057204	



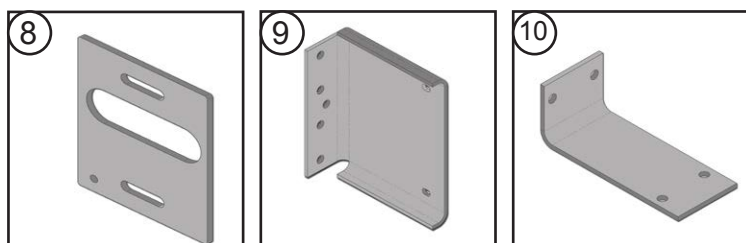
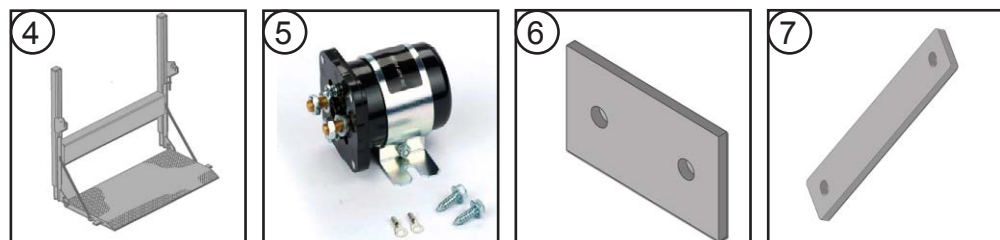
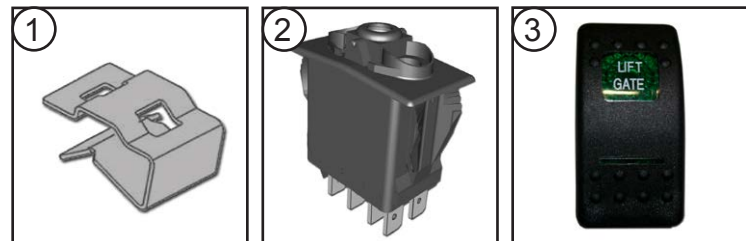
ITEM #	PART #	DESCRIPTION	QTY.	UNIT
A	47005624	MIRROR ASSEMBLY LH	2	EA
B	47005625	MIRROR ASSEMBLY RH	2	EA
C	117363001	WINDSHIELD WIPER INSTALLATION (INCLUDES ITEMS 5-8, 15-17)	1	EA
D	1107122	HOSE .188 ID WSW	12	FT
E	083055454	BRACKET WIPER MOTOR	1	EA
F	1101694	TEE WSWA U/T	1	EA
G	47004187	WIPER SYSTEM TBLR 2 PIVOT	1	EA
H	146363001	WIPER ARM WITH BLADE 20/24	1	EA
J	47004134	BLADE 24IN BLACK	1	EA
K	47004205	ARM WSW WET 20IN RADIAL BLACK	1	EA
L	47004505	RSVR W/PUMP WSWA	1	EA
M	093063400	BRACKET MOUNTING RSVR BOTTLE AL.102X14.22X23.72	1	EA
N	155063400	BRACKET SUPPORT W/BTL AL.102X2.95X10.41	1	EA
O	47005901	NUT	2	EA
P	47005902	PIVOT COVER	2	EA
Q	47005903	SPACER	2	EA
R	47005900	MOTOR WIPER	1	EA
S	47005090	MIRROR SS ADJUSTABLE W/BRACKET	1	EA

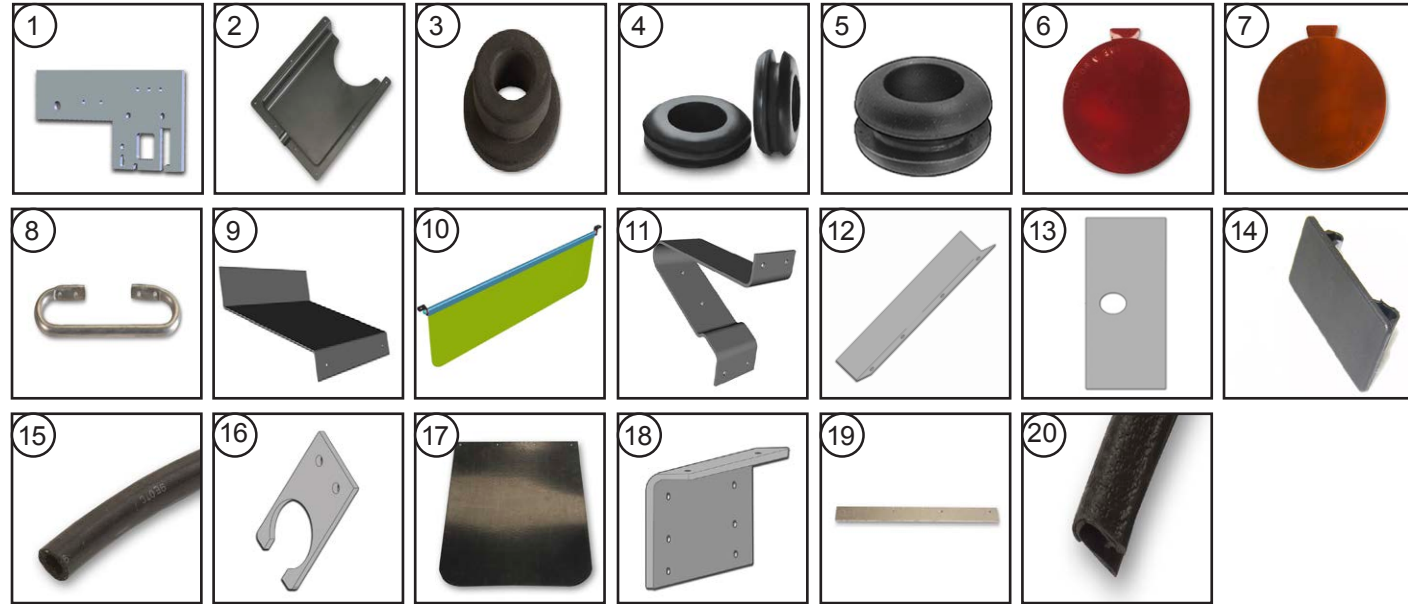


OPTION CODE HTGR



ITEM #	PART #	DESCRIPTION	QTY.	UNIT
1	46021115	CLIP BODY LARGE PAN	1	EA
1	46021114	CLIP BODY MED PAN	1	EA
2	46023524	SWITCH ROCKER BASE ONLY SPST MOMENTARY	1	EA
3	46023619	SWITCH ROCKER ACTUATOR ONLY L/G	1	EA
4	47005410	LIFT GATE BOLT ON	1	EA
5	47005289	SWITCH RELAY 200AMP	1	EA
6	157125409	PLATE LOWER LEG AL .188X2X3.5	2	EA
NS	132088206	HARNESS BATTERY POS 2GA BRKR 24"	1	EA
7	157125405	SHIM UPR LEG AL .25X1.5X7.25	2	EA
8	157125406	SHIM LWR LEG AL .25X6X7.25	2	EA
9	157125407	BRACKET UPR LEG AL .188X8.61X9.47	2	EA
10	157125408	BRACKET LWR LEG AL .188X2.8X8.62	2	EA
NS	46026407	PAINT ELEC INSUL SPRAY ENAMEL RED	.04	CAN





ITEM #	PART #	DESCRIPTION	QTY.	UNIT
1	095116400	INSULATION DASH WALL	1	EA
2	85679004	DOCUMENT HOLDER COMPT FORMS	1	EA
3	1107072	GROMMET	1	EA
4	44000052	GROMMET .688X.125X1 BACK UP CAM	1	EA
5	46004404	GROMMET 0.313 X 0.188 X 0.531 BACK UP CAM	1	PK
6	46025017	REFLECTOR RED 2.88DIA	4	EA
7	46025018	REFLECTOR AMBER 2.88DIA	2	EA
8	90187300	GRAB HANDLE .5X15.7 (SHIM - 135051400)	2	EA
9	7907976	GUARD LAMP REAR	2	EA
10	47005504	SUN VISOR 8"x33"	2	EA
11	090061400	BRACKET SUN VISOR	1	EA
12	97650306	ANGLE CLIP AL 450196X3.5 (TIE DOWN)	2	EA
13	78331095	PLATE TIE DOWN	18	EA
14	46023506	PLUG ROCKER SWITCH BLACK	1	EA
15	44001004	HOSE HEATER HIGH TEMP .62ID	7.5	FT
16	090087401	PLATE FILLER WIRING AL .102X 1.44X2.63	2	EA
17	1107308	MUD FLAP .25x18x20	1	PR
18	80795014	ANGLE RETAINER AL .188X5X20	2	EA
19	7504428	RETAINER MD/FLP AL .125X1.5X20	2	EA
20	072109049	TRIM QUICK EDGE BLACK	1	FT



ITEM #	PART #	DESCRIPTION	QTY.	UNIT
1	46000206	HEADLAMP RECT ASSEMBLY	2	EA
2	44000052	GROMMET .68x.125x1	7	EA
3	46027656	GROMMET OBLONG BLACK	2	EA
4	46000620	LAMP PARK / TURN FRONT	2	EA
5	46004443	GROMMET 4"	6	EA
6	46001448	LAMP BACK UP LED *	2	EA
7	46000623	LAMP REAR COMBO LED *	4	EA
8	48200161	CAMERA BACKUP	1	EA
9	48200114	MONITOR BACKUP	1	EA
10	46001366	LAMP CLEARANCE MARKER PC AMBER	2	EA
11	46001367	LAMP CLEARANCE MARKER PC RED	7	EA
12	46001365	LAMP CLEARANCE MARKER PC AMBER	6	EA
13	46002637	LAMP DOME RECESSED LED CAB (RING 4" - 47006065)	1	EA
13	46002668	LAMP DOME LED SURF MTG	1	EA
14	47006065	RING 4" ROUND DOME LAMP	1	EA
15	100092400	BRACKET DOME LAMP AL	1	EA
16	46032323	DET MOTION DOME LAMP 10 MIN TMR	1	EA
17	46003017	LAMP INTERMITANT WIPER	1	EA
18	46023511	SWITCH ROCKER DOOR UNLOCK SPST	1	EA
19	46023508	SWITCH ROCKER CAB DOME SPST	1	EA
20	47006164	SWITCH HEATED MIRRORS	1	EA
21	46003440	LAMP STROBE AMBER	1	EA
22	46025593	RADIO AM/FM/WB/CD 1-DIN	1	EA
23	46025590	SPEAKER 6.5"	1	PR
24	46025559	ANTENNA	1	EA
* LAMP SHOWN WITH GROMMET 46004443 INSTALLED				