



2009-2010 Parts Catalog



**2014 Morgan Olson Body
2014 Freightliner Chassis**

**UNIT NUMBERS:
R41251 - R41416**

PUBLISHED 02.2015
1.800.233.4823
WWW.MORGANOLSON.COM

**MORGAN
★ OLSON®**

| | |
|-------------------------------------|-------|
| TABLE OF CONTENTS | 2 |
| INTRODUCTION | 3 |
| UNIT NUMBER COVERAGE AND ASSIGNMENT | 4 |
| FLOOR | 5 |
| BACK | 6 |
| SIDES | 7 |
| ROOF AND FRONT | 8 |
| BULKHEAD | 9 |
| FAIRING | 10 |
| REAR DOORS | 11 |
| BUMPER | 12 |
| MISCELLANEOUS | 13 |
| ELECTRICAL | 14 |
| SCHEMATICS AND WIRING DIAGRAMS | 15-30 |



This parts guide contains illustrations and part numbers for FRITO LAY Delivery Vehicle Package Cars and applies to bill of material # JV000268 produced in 2009 and 2010.

This book has been divided into chapters. Each chapter has illustrations with part numbers and descriptions. When possible, each part is pointed out to help identify it. Orientation references are from the rear of the vehicle facing forward. LH (LEFT HAND) is roadside and RH (RIGHT HAND) is curb-side.

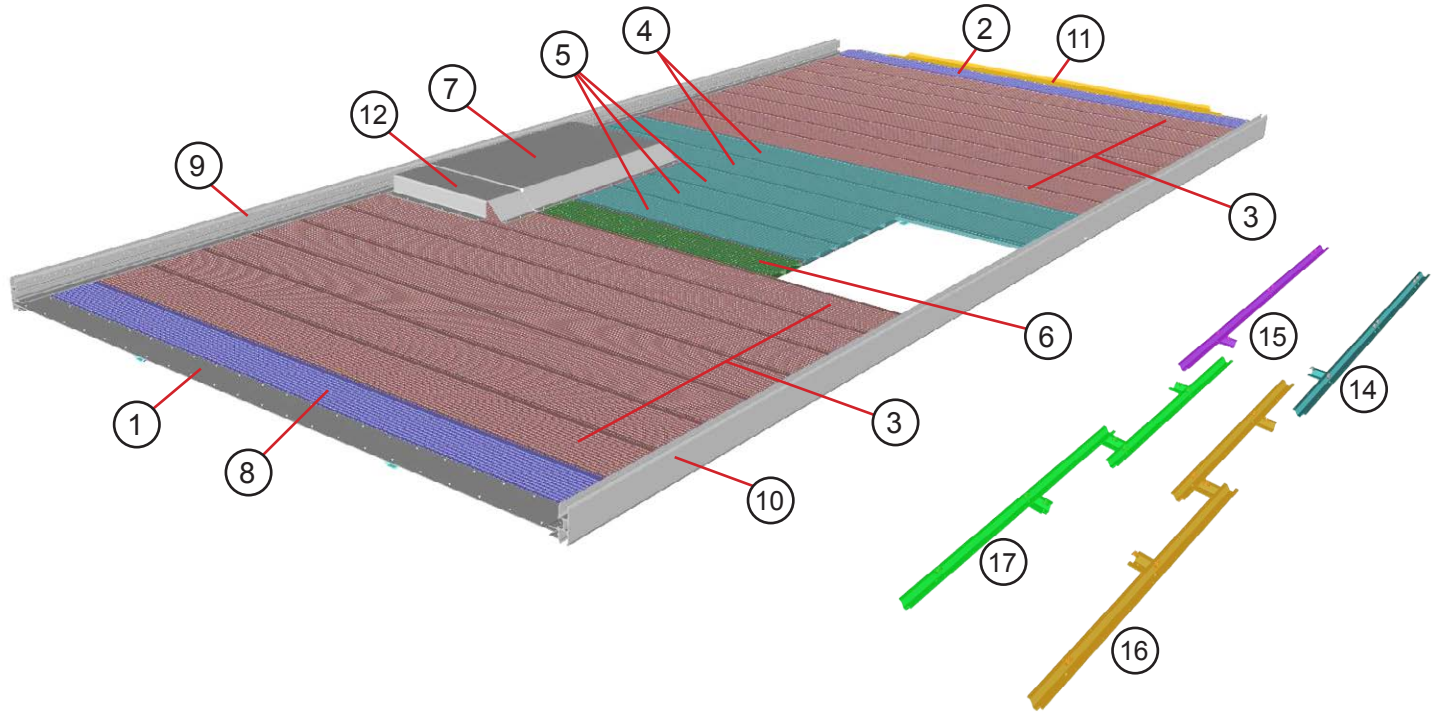
Procedure to Order Parts

1. Depending on the part desired, turn to the appropriate section.
2. Locate the desired part on the Illustration Page(s) and note it's part number.
3. Contact a Morgan Olson Service Parts Representative. Have part numbers readily available.
4. When placing orders, specify vehicle VIN number.

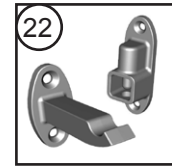
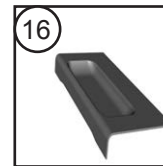
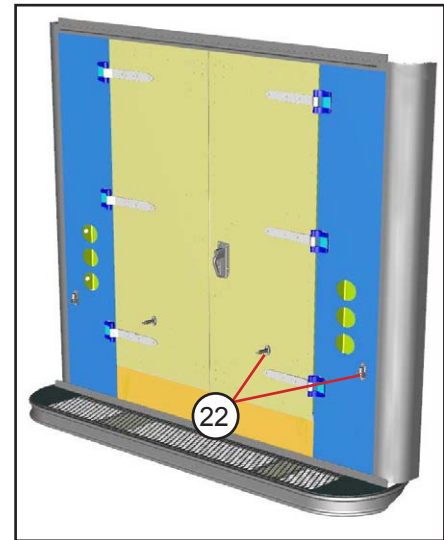
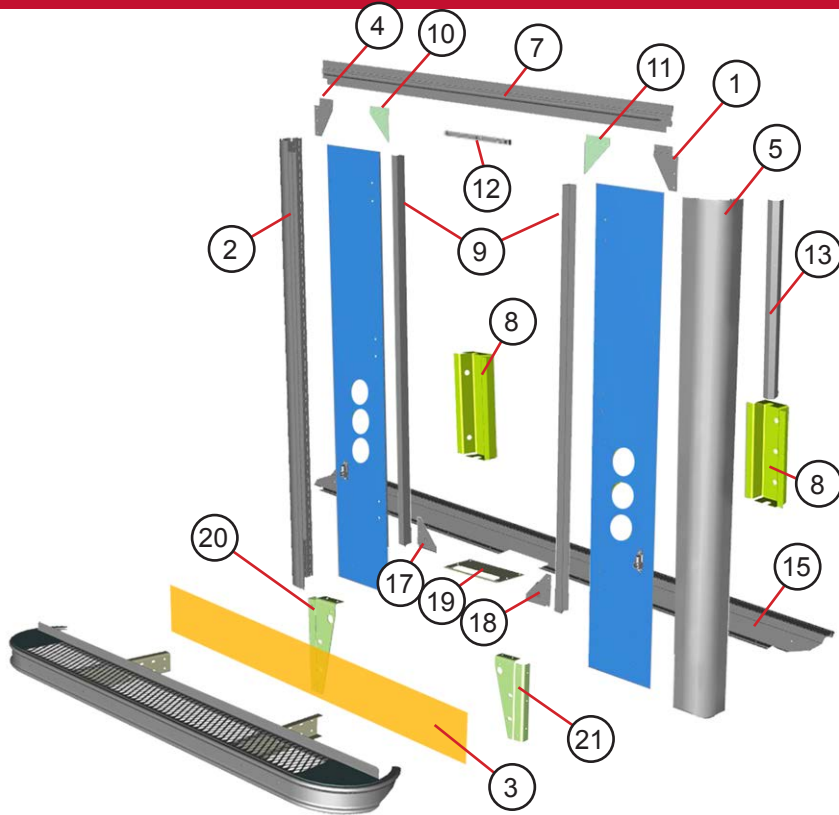
FOR WARRANTY INFORMATION CALL 1-800-262-3437

ANY QUESTIONS OR CONCERNS SHOULD BE DIRECTED TO YOUR SERVICE
PARTS REPRESENTATIVE AT
1-800-233-4823

At Morgan Olson, our quest for quality and safety is ongoing and therefore the specifications on the product described herein may vary over time. Please contact Morgan Olson for the latest product information and available safety features and options.

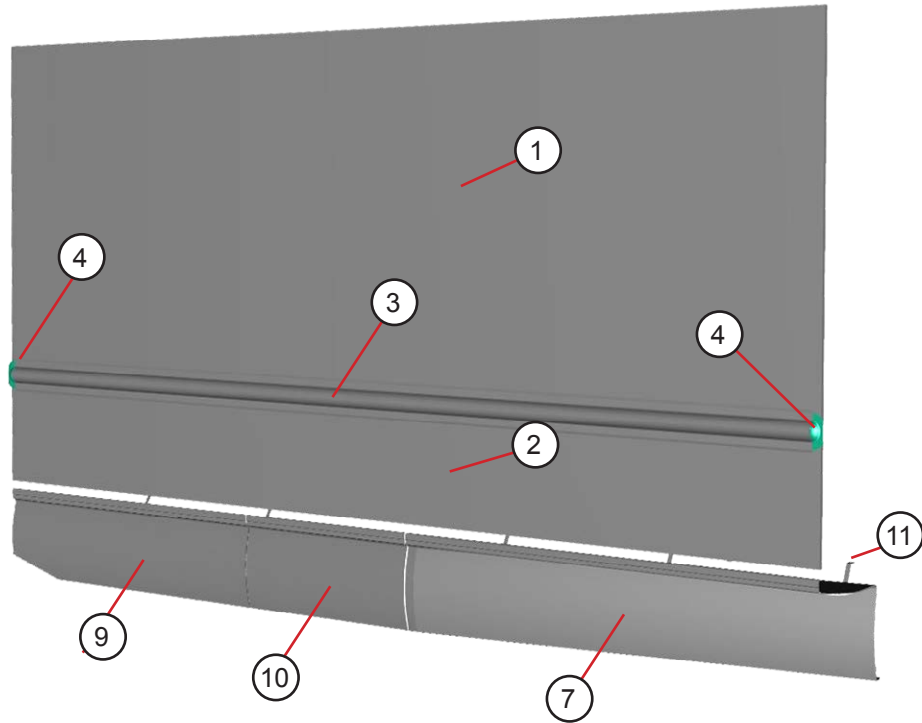
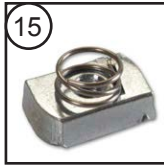
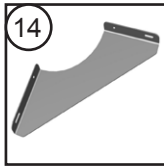
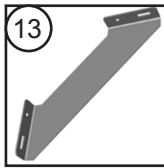
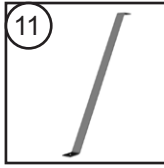


| ITEM # | PART # | DESCRIPTION | QTY. | UNIT |
|--------|-----------|---------------------------------------|------|------|
| 1 | 091030440 | PLATE FILLER FLOOR AL .125X4.5X87.95 | 1 | EA |
| 2 | 091030453 | BEAM FLOOR FRONT AL 450908X87.95 | 1 | EA |
| 3 | 45091001 | BEAM FLOOR L/D8.5 AL 450910X87.58 M/F | 15 | EA |
| 4 | 45090901 | BEAM AL FLOOR M-FEM 9X.875X87.58 | 2 | EA |
| 5 | 45090902 | BEAM AL FLOOR M-FEM 9X.875X41.38 | 3 | EA |
| 6 | 45091101 | BEAM FLOOR L/D 8 AL 450911X41.38M/M | 1 | EA |
| 7 | 091030444 | W/BX AL .102X27.23X41.44 | 2 | EA |
| 8 | 45090802 | BEAM AL FLOOR FEM-LAP 7X.875X87.58 | 1 | EA |
| 9 | 091030450 | RAIL FLOOR TO SIDE AL 450915X193.7 RS | 1 | EA |
| 10 | 091030451 | RAIL FLOOR TO SIDE AL 450915X193.7 CS | 1 | EA |
| 11 | 091030449 | PANEL CLOSEOUT AL .102X10.9X86 | 1 | EA |
| 12 | 091030445 | EXTN W/BX AL .102X13.74X24.77 RS | 1 | EA |
| NS | 091030446 | EXTN W/BX AL .102X13.74X24.77 CS | 1 | EA |
| 14 | 091030210 | TIE-DOWN ASSEMBLY FRONT CS | 1 | EA |
| 15 | 091030211 | TIE-DOWN ASSEMBLY FRONT RS | 1 | EA |
| 16 | 091030206 | TIE-DOWN ASSEMBLY REAR CS | 1 | EA |
| 17 | 091030207 | TIE-DOWN ASSEMBLY,REAR RS | 1 | EA |

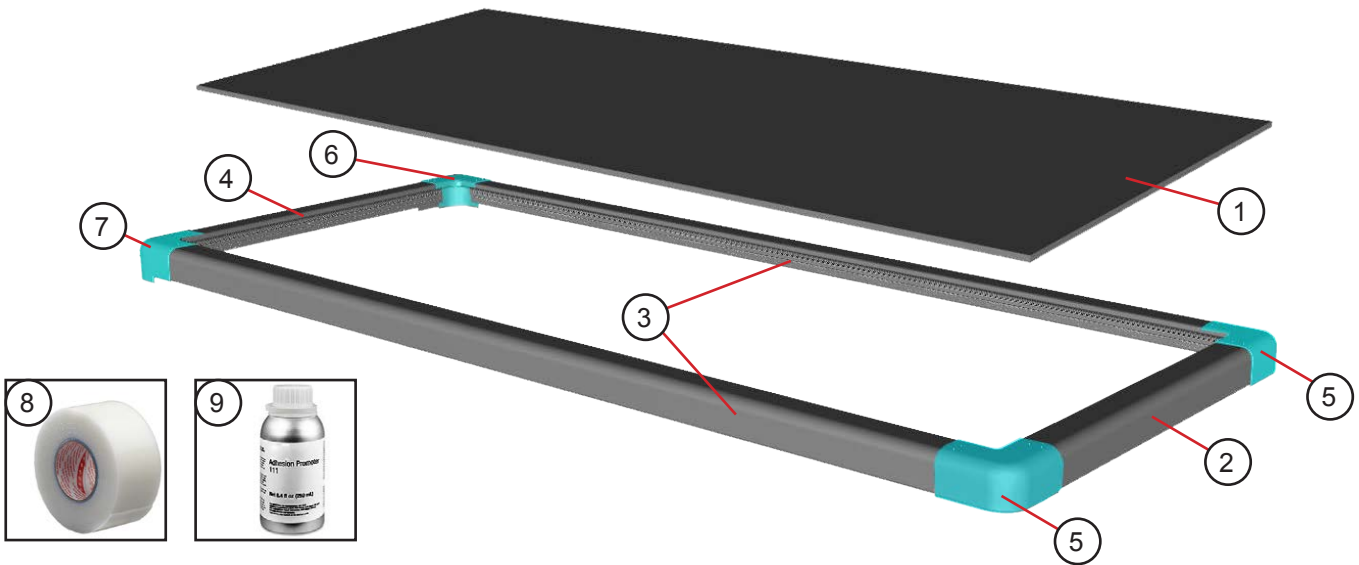


| ITEM # | PART # | DESCRIPTION | QTY. | UNIT |
|--------|-----------|---|------|------|
| 1 | 091050461 | GUSSET DOOR UPPER 11GAX5X7.21 RH | 1 | EA |
| 2 | 091050463 | POST CORNER REAR OTR AL 450919X90.5 LH | 1 | EA |
| 3 | 091050465 | SILL REAR AL 450024X78.36 | 1 | EA |
| 4 | 091050459 | GUSSET DOOR UPR 11GAX5X7.21 LH | 1 | EA |
| 5 | 091050464 | POST CORNER REAR OTR AL 450919X90.5 RH | 1 | EA |
| 6 | 091050474 | PANEL REAR AL .102X14.18X88 | 2 | EA |
| 7 | 091050460 | DRIP RAIL AL 450918X80.36 | 1 | EA |
| 8 | 097105456 | GUARD LAMP AL .07X14.28X24.45 | 2 | EA |
| 9 | 091050462 | POST HINGE AL 450011X76.25 | 2 | EA |
| 10 | 90650304 | GUSSET UPPER AL .125X5.12X6.59 LH | 1 | EA |
| 11 | 90650305 | GUSSET UPPER AL .125X5.12X6.59 RH | 1 | EA |
| 12 | 45100106 | STRIKER BRZC D/R | 1 | EA |
| 13 | 091092400 | COVER WIRING CORNER AL .102X6.7X80.5 | 2 | EA |
| 14 | 091050496 | COVER CORNER POST AL .07X1.84X4.33 | 2 | EA |
| 15 | 091030452 | SILL DROP REAR AL 450912X87.58 | 1 | EA |
| 16 | 7500036 | PAN DUST DBL AL .07X5X9.5 | 1 | EA |
| 17 | 091050477 | GUSSET REAR LOWER STEEL 10GAX5.25X7.61 LH | 1 | EA |
| 18 | 091050478 | GUSSET REAR LOWER STEEL 10GAX5.25X7.61 RH | 1 | EA |
| 19 | 004051401 | PLATE STRIKER D/R LWR 11GASSX4.33X9 | 1 | EA |
| 20 | 091050475 | GUSSET D/R LWR 11GAX5.9X12.46 LH | 1 | EA |
| 21 | 091050476 | GUSSET D/R LWR 11GAX5.9X12.46 RH | 1 | EA |
| 22 | 1113035 | DOOR REAR HOLDER HD 3IN M/FEM | 2 | KT |

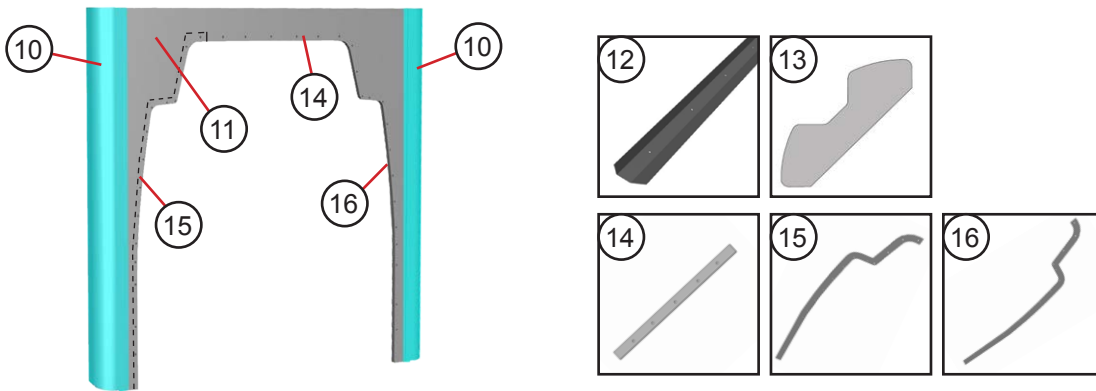
curbside shown



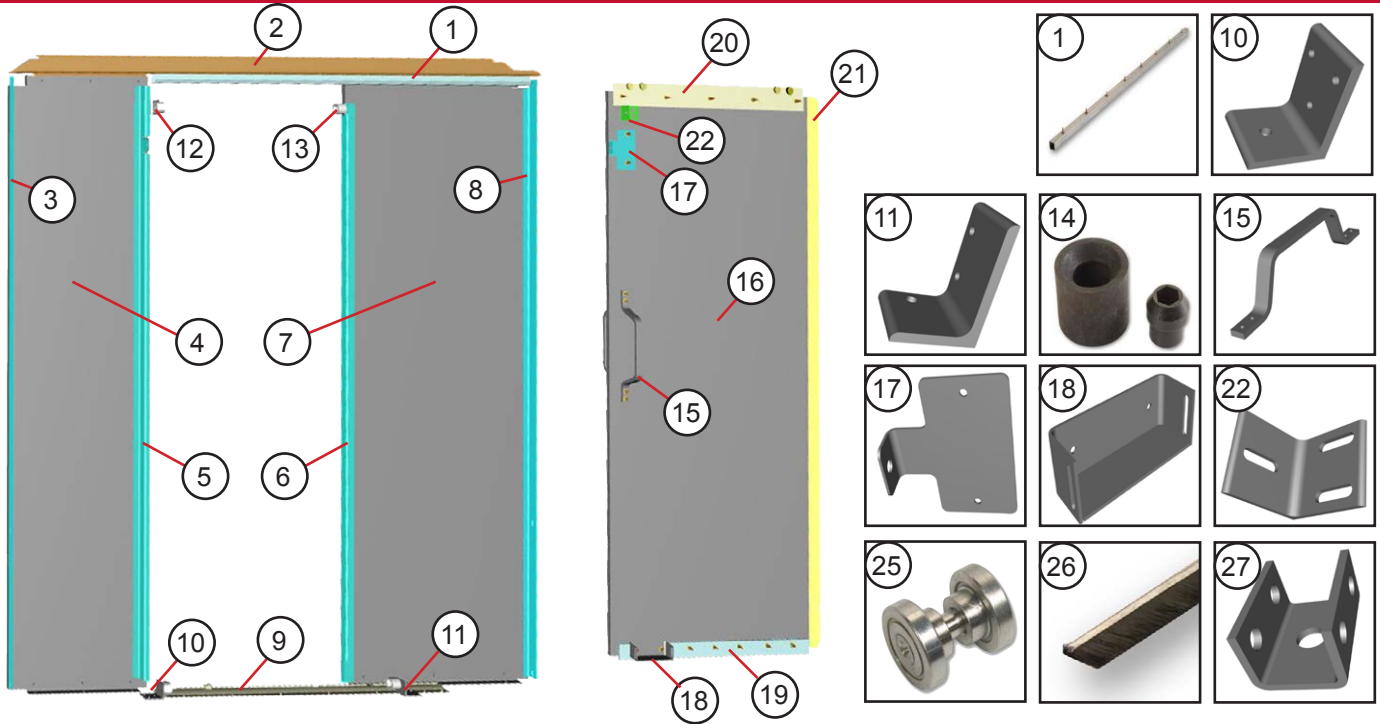
| ITEM # | PART # | DESCRIPTION | QTY. | UNIT |
|--------|-----------|---|------|------|
| 1 | 091040415 | PANEL SIDE UPPER 20MMX58X196.84 | 2 | EA |
| 2 | 091040416 | PANEL SIDE LOWER 20MMX17.99X196.84 | 2 | EA |
| 3 | 091040427 | RUB RAIL AL 450916X193.7 | 2 | EA |
| 4 | 45100134 | CASTING - RUBRAIL END CAP | 4 | EA |
| | 091090006 | SKIRT INSTALLATION | | |
| NS | 091090427 | SKIRT LH, FRT | 1 | EA |
| 7 | 091090428 | SKIRT RH, FRT | 1 | EA |
| NS | 091090429 | SKIRT LH, REAR | 1 | EA |
| 9 | 091090430 | SKIRT RH, REAR | 1 | EA |
| 10 | 091090431 | SKIRT WHEEL COVER L/R | 2 | EA |
| 11 | 091090436 | ZEE SKIRT BRACE AL .102X1X20.13 (5 PER SIDE) | 10 | EA |
| NS | 1117996 | CAP PLASTIC FOR .25-20 PHL SCREW (9 PER SIDE) | 18 | EA |
| 13 | 091010437 | GUSSET FRONT STEEL 12GAX10.66X10.66 | 2 | EA |
| 14 | 091010438 | GUSSET FRONT STEEL 12GAX13.29X13.29 | 2 | EA |
| 15 | 47009988 | CHANNEL NUT 1/4-20 W/ SPRING 1-1/4" | 16 | EA |



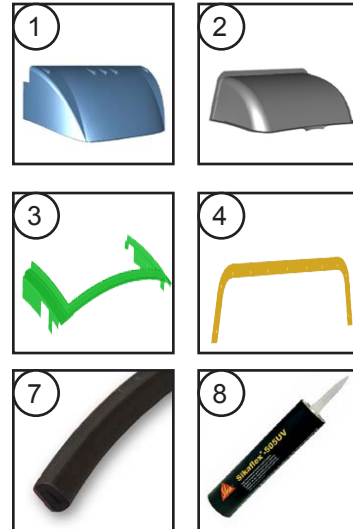
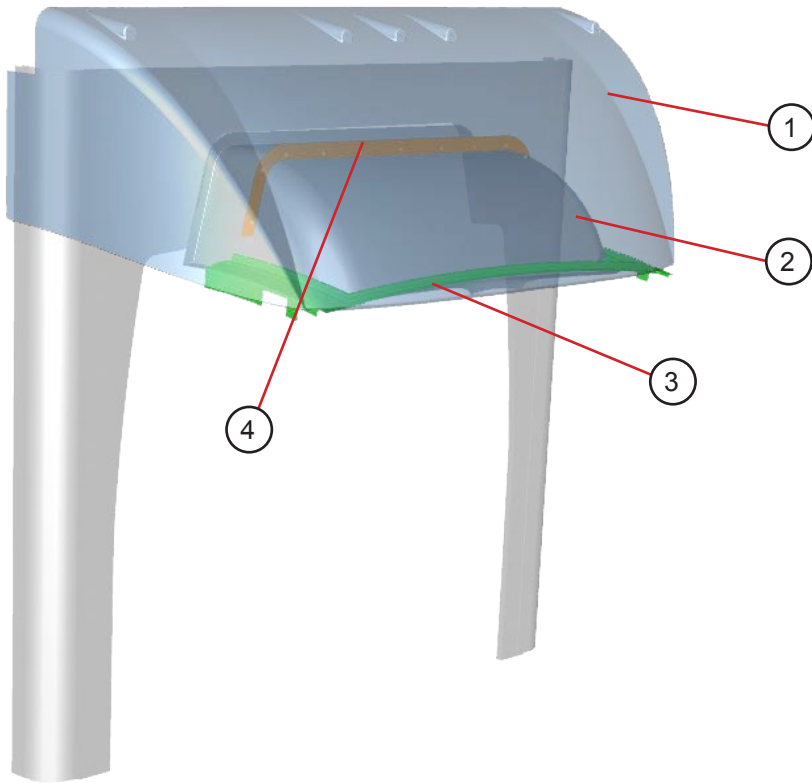
| ITEM # | PART # | DESCRIPTION | QTY. | UNIT |
|--------|-----------|-------------------------------|------|------|
| 1 | 091010439 | PANEL ROOF 30MMX80.38 X196.96 | 1 | EA |
| 2 | 091010431 | ROOF NOSE 88W AL 450913X76.75 | 1 | EA |
| 3 | 091010430 | ROOF RAIL 16'AL 450913X193.8 | 2 | EA |
| 4 | 091010433 | TRANSOM 88W AL 450917X76.75 | 1 | EA |
| 5 | 091010427 | CASTING CORNER FRONT | 2 | EA |
| 6 | 091010428 | CASTING CORNER REAR LH | 1 | EA |
| 7 | 091010429 | CASTING CORNER REAR RH | 1 | EA |
| 8 | 41002105 | 3M EXTREME SEALING TAPE 4412N | 1.51 | ROLL |
| 9 | 41002107 | 3M ADHESION PROMOTER 111 | .01 | GAL. |



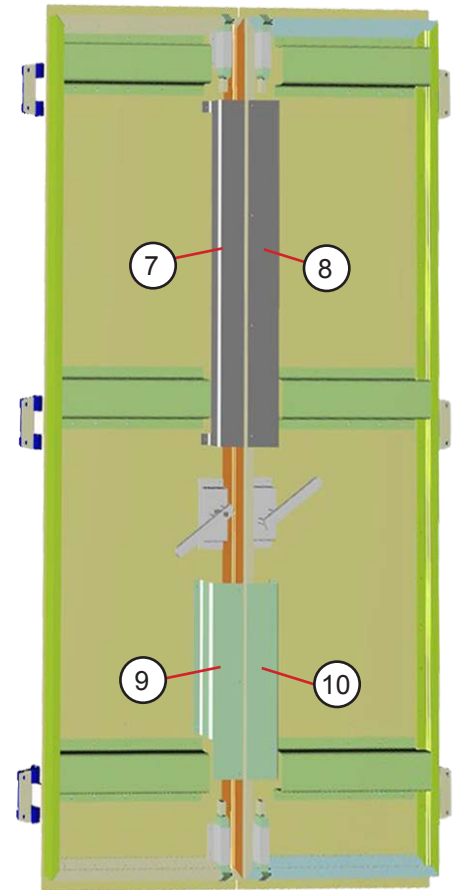
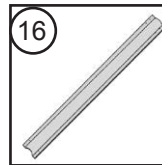
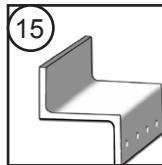
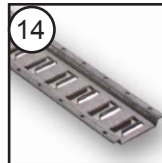
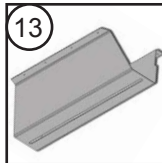
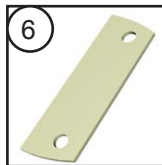
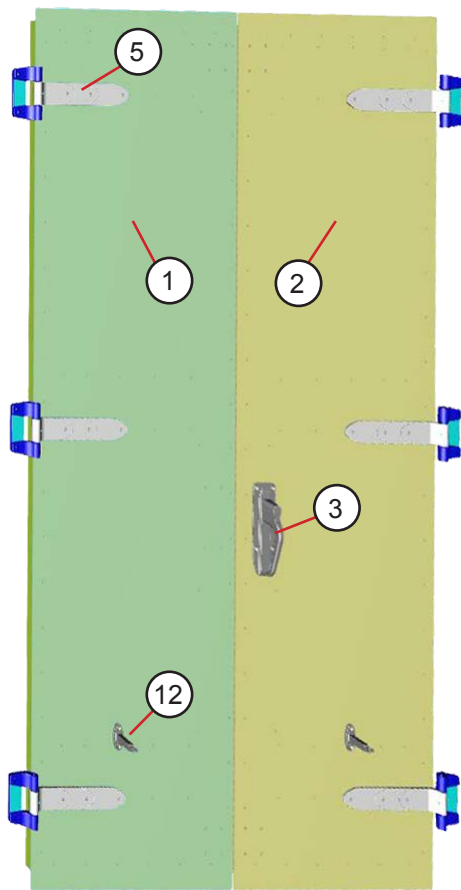
| ITEM # | PART # | DESCRIPTION | QTY. | UNIT |
|--------|-----------|--|------|------|
| 10 | 091020410 | POST CORNER FRONT OUTER AL 450914X82 | 2 | EA |
| 11 | 091020413 | PANEL FRONT 20MM X80.4X82.3 | 1 | EA |
| 12 | 091092400 | COVER WIRING CORNER AL .102X6.7X80.5 | 2 | EA |
| 13 | 091050496 | COVER CORNER POST AL .07X1.84X4.33 | 2 | EA |
| 14 | 091020409 | PLATE RETAINER CENTER AL .102X2.12X35.88 | 1 | EA |
| 15 | 091020412 | PLATE RETAINER AL .102X19.6X77.06 LH | 1 | EA |
| 16 | 091020414 | PLATE RETAINER AL .102X19.6X77.06 RH | 1 | EA |
| NS | 44004080 | SEAL "D" .875 X 1.00 | 31 | FT |



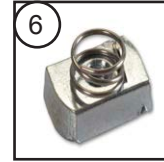
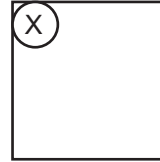
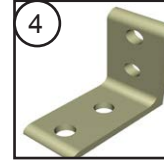
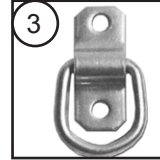
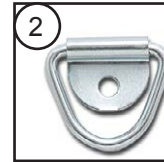
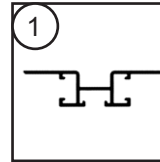
| ITEM # | PART # | DESCRIPTION | QTY. | UNIT |
|--------|-----------|---|------|------|
| 1 | 091070205 | TRACK DOOR ASSEMBLY | 1 | EA |
| 2 | 091070438 | HEADER BULKHEAD AL .102X7.8X87.17 | 1 | EA |
| 3 | 091070445 | ANGLE BHD AL .102X2.26X80.28 RH | 1 | EA |
| 4 | 091070451 | PANEL BHD 20MMX22.94X81.15 RH | 1 | EA |
| 5 | 091070440 | JAMB BHD Z AL .102X3.29X78.33 | 1 | EA |
| 6 | 091070491 | PLATE HANGER AL 450515X73 | 1 | EA |
| 7 | 091070452 | PANEL BHD 20MMX31.43X81.15 LH | 1 | EA |
| 8 | 091070444 | ANGLE BHD AL .102X2.26X80.28 LH | 1 | EA |
| 9 | 96770316 | GUIDE DOOR FLOOR AL 450414X47.88 | 1 | EA |
| 10 | 091070414 | ANGLE DOOR STOP AL 450019X2 | 1 | EA |
| 11 | 091070415 | ANGLE DOOR HOLD BACK AL 450019X2 | 1 | EA |
| 12 | 091070490 | BRACKET HOLD BACK AL .125X2X3.83 | 1 | EA |
| 13 | 091070494 | BRACKET DOOR AL .102X1.5X2.46 | 1 | EA |
| 14 | 47000921 | HOLDBACK DOOR 6LBS | 4 | EA |
| 15 | 091070495 | GRAB HANDLE AL 450246X19.84 | 2 | EA |
| 16 | 091070450 | PANEL DOOR BULKHEAD 20MMX32X79.38 | 1 | EA |
| 17 | 091070418 | BRKT PADLK AL .102X5X5.55 (PLATE REINFORCEMENT 091070419) | 1 | EA |
| 18 | 091070203 | DR HLDBK WLDMT FRITO | 1 | EA |
| 19 | 093070412 | W/STR BHD BRG452002X2.25X29.62 | 1 | EA |
| 20 | 091070200 | HANGER ASSEMBLY BHD (PLATE REINFORCEMENT 091070420) | 1 | EA |
| 21 | 091070453 | PLATE FILLER BHD AL .102X3.5X79.38 | 1 | EA |
| 22 | 091070493 | ANGLE HOLD BACK AL 450523X2 | 2 | EA |
| NS | 44000274 | TRIM PLASTIC "U" WHITE .8X96 | 2 | EA |
| NS | 091070454 | STIFFENER BULKHEAD DOOR ALE 1126044X75 | 1 | EA |
| 25 | 47006595 | BEARING | 4 | PR |
| 26 | 44008050 | SEAL BRUSH TYPE B 1X83.9 | 1 | EA |
| 27 | 091070494 | BRACKET DOOR AL .102X1.5X2.46 | 1 | EA |



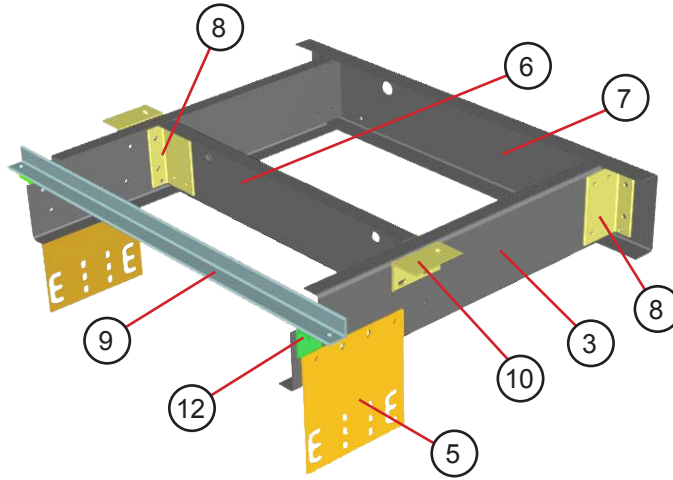
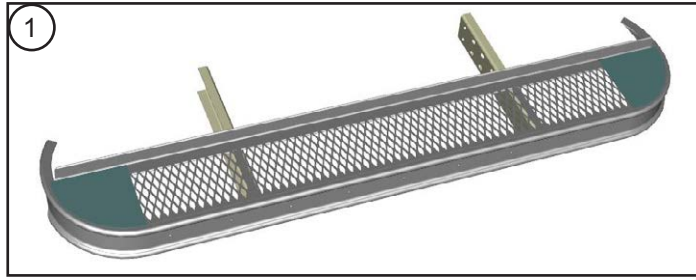
| ITEM # | PART # | DESCRIPTION | QTY. | UNIT |
|--------|-----------|---|------|------|
| 1 | 091090425 | FAIRING | 1 | EA |
| 2 | 091090426 | LINER FAIRING | 1 | EA |
| 3 | 45700011 | REINFORCEMENT WELDMENT | 1 | EA |
| 4 | 091090437 | REINFORCEMENT FAIRING AL .102X10.5X51.7 | 1 | EA |
| NS | 091090438 | REINFORCEMENT FAIRING AL .102X2X48 | 1 | EA |
| NS | 091090439 | REINFORCEMENT FAIRING AL .102X2X24 | 2 | EA |
| 7 | 44004056 | SEAL TAPE W/ADHV X500FT | 8.33 | FT |
| 8 | 41002108 | SIKAFLEX 505UV GRAY | 2 | EA |



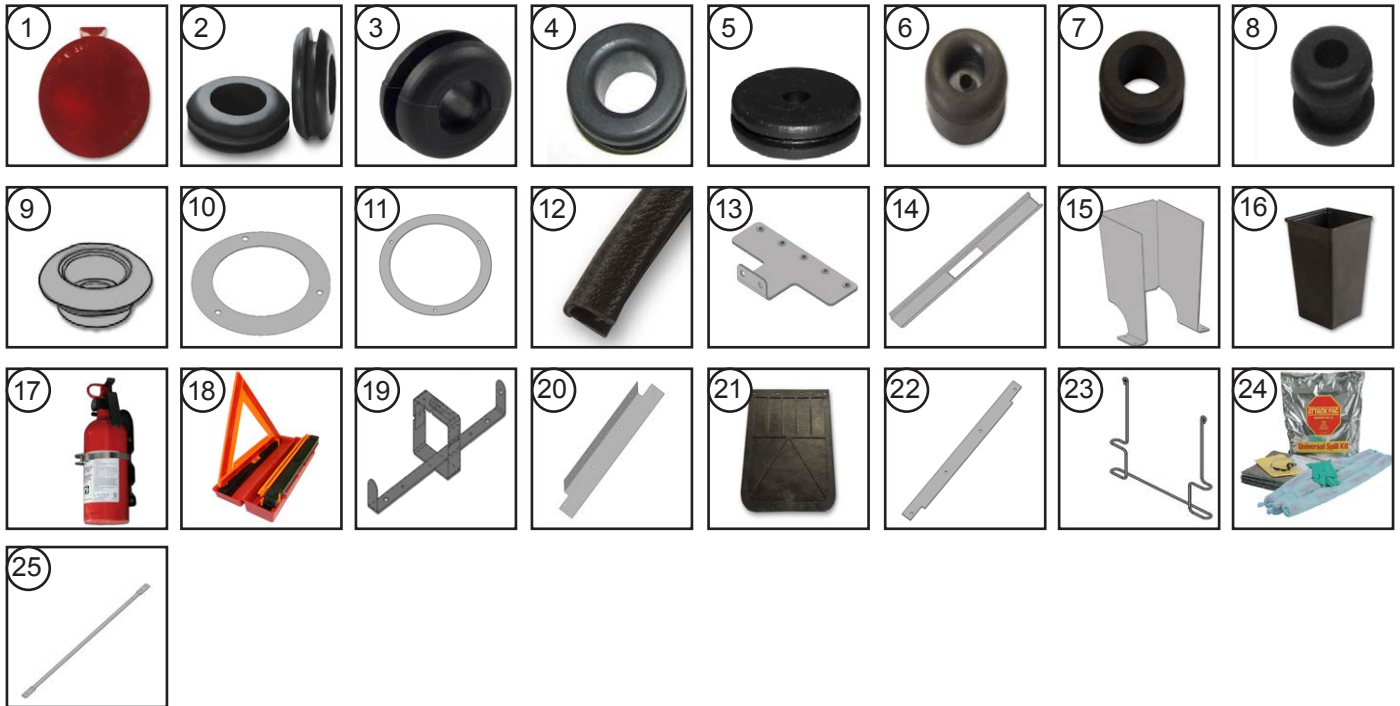
| ITEM # | PART # | DESCRIPTION | QTY. | UNIT |
|--------|-----------|------------------------------------|------|------|
| 1 | 091050214 | DOOR ASSEMBLY 50" 2PC HINGE LH | 1 | EA |
| 2 | 091050215 | DOOR ASSEMBLY 50" 2PC HINGE RH | 1 | EA |
| 3 | 47001100 | HANDLE DOOR BLACK | 1 | EA |
| 4 | 47000989 | BODY LOCK ASSEMBLY | 2 | EA |
| 5 | 47007900 | HINGE AL STRAP W/ZERK .25 OFF SET | 6 | EA |
| 6 | 96751318 | SHIM HINGE AL .125X1.5X4.64 | 4 | EA |
| 7 | 091050483 | CABLE GUARD UPR AL .07X5.48X30.7 | 1 | EA |
| 8 | 091050471 | CABLE GUARD UPR AL .07X5.48X30.7 | 1 | EA |
| 9 | 091050479 | COVER CABLE LOWER AL .07X6.45X17.1 | 1 | EA |
| 10 | 091050468 | COVER CABLE LOWER AL .07X6.45X17.1 | 1 | EA |
| 11 | 1107047 | SEAL SPONGE DOOR 64238X 19 FT | 2 | EA |
| 12 | 47000615 | HOLDBACK DOOR MALE | 2 | EA |
| 13 | 082127402 | HOLDER CART AL .102X20.15X22.5 | 1 | EA |
| 14 | 091050458 | E/TRK HORZ 1101531X24.50 | 1 | EA |
| 15 | 082127404 | ANGLE AL 450043X 14.88 | 1 | EA |
| 16 | 082127405 | CART REST AL 450003X 32.8 | 1 | EA |



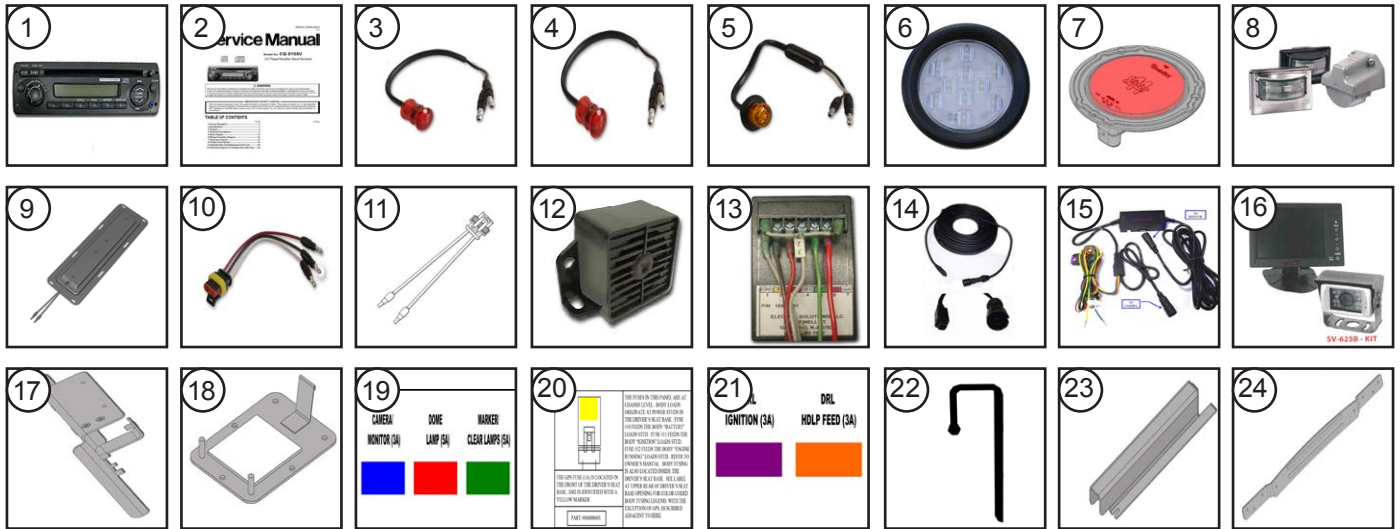
| ITEM # | PART # | DESCRIPTION | QTY. | UNIT |
|--------|-----------|--------------------------------|------|------|
| 1 | 091300403 | STIFFENER AL 450595X81.32 | 4 | EA |
| 2 | 47006020 | TIE DOWN RING | 6 | EA |
| 3 | 47006803 | TIE DOWN RING | 6 | EA |
| 4 | 091300402 | CLIP ANGLE AL.1100502X2X2X1 | 2 | EA |
| NS | 48000505 | STRAP ASSEMBLY 1"WEBX20' | 2 | EA |
| 6 | 47009988 | CHNL NUT 1/4-20 W/SPRG 1/-1/4" | 8 | EA |



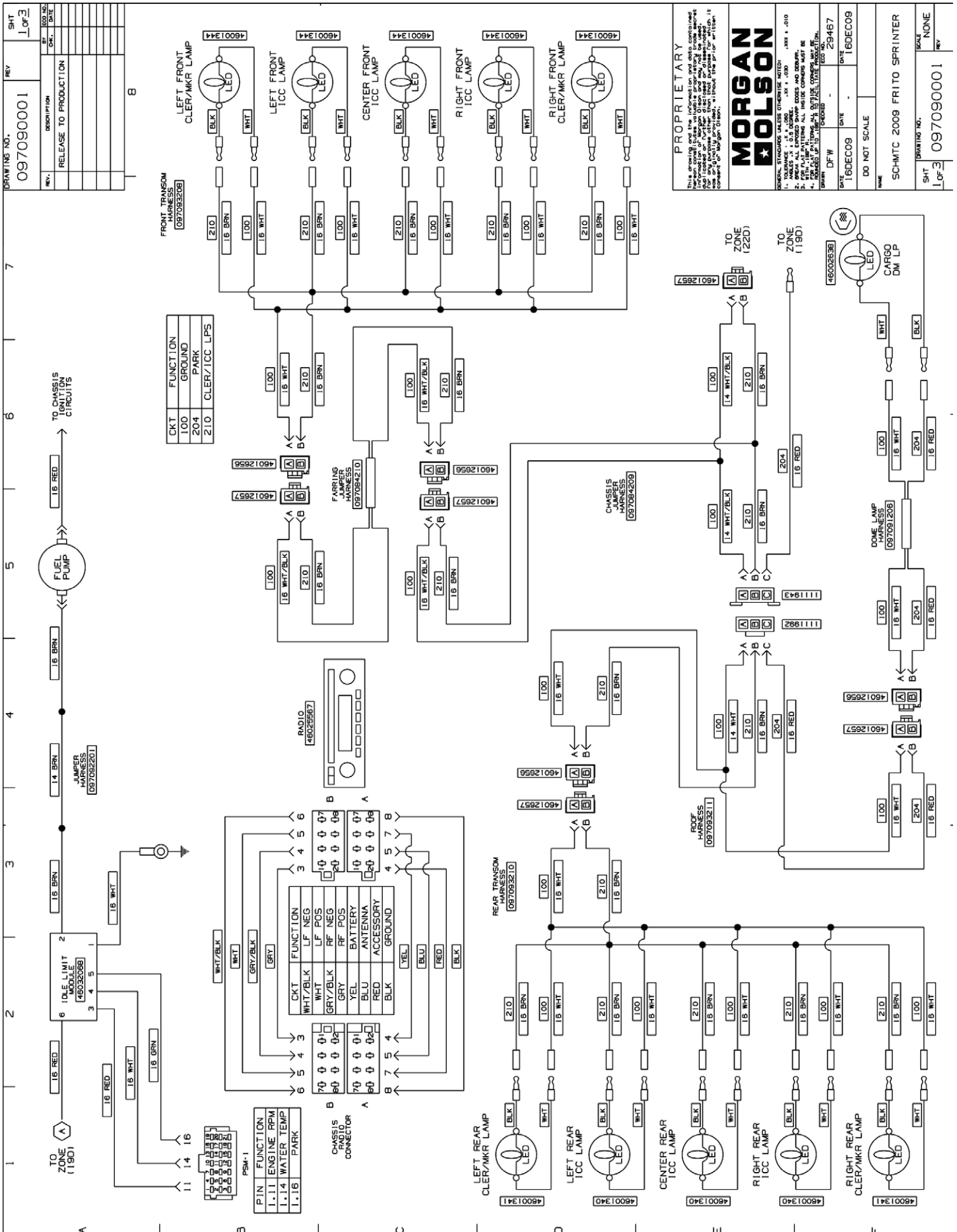
| ITEM # | PART # | DESCRIPTION | QTY. | UNIT |
|--------|-----------|-------------------------------------|------|------|
| 1 | 47003513 | BUMPER REAR ASSEMBLY 91W 10" GRATED | 1 | EA |
| 2 | 091102401 | PROTECTIVE RUBBER BUMPER 49881X70 | 1 | EA |
| 3 | 091007425 | FRM EXTN STL 7GAX11.75X40.08 | 1 | EA |
| 4 | 091007426 | FRM EXTN STL 7GAX11.75X40.08 | 1 | EA |
| 5 | 091007427 | HANGER PLATE 7GA 11.5 X 12.5 | 2 | EA |
| 6 | 091007428 | CHANNEL REAR 7GA 11.92 X 38.38 | 1 | EA |
| 7 | 091007429 | CHANNEL REAR 7GA STL 12.75 X 48 | 1 | EA |
| 8 | 091007430 | ANG TIE IN STEEL ANGLE .188X2X3X7.5 | 4 | EA |
| 9 | 091007203 | ANGLE TIE DOWN 38.90 | 1 | EA |
| 10 | 091007417 | BRKT T/DN STL ANGLE 1101161X5.5 R | 1 | EA |
| 11 | 091007418 | BRKT T/DN STL ANGLE 1101161X5.5 L | 1 | EA |
| 12 | 091007413 | ANGLE STEEL 0.25X2.0X3.0X2.5 | 2 | EA |



| ITEM # | PART # | DESCRIPTION | QTY. | UNIT |
|--------|-----------|---|------|------|
| 1 | 46025017 | REFLECTOR RED 2.88" SPITFIRE | 4 | EA |
| 2 | 44000052 | GROMMET | 3 | EA |
| 3 | 44000065 | GROMMET RUB .75X1.38 FOR.19THK | 2 | EA |
| 4 | 44000275 | GROM EPDM 1.25"ID X 2.0"OD | 1 | EA |
| 5 | 1107078 | GROMMET .62X1.12 | 2 | EA |
| 6 | 1107079 | GROMMET 1X1.75 .125MATL | 1 | EA |
| 7 | 46004416 | GROMMET 1ID .25 MATL THK | 2 | EA |
| 8 | 1107324 | GROMMET RUBBER | 2 | EA |
| 9 | 46001342 | GROMMET MARKER LAMPS | 8 | EA |
| 10 | 47006065 | RING TUBE STEEL 4IN RD FLG MTD | 6 | EA |
| 11 | 46004442 | GASKET LAMP TAIL 4IN ROUND FLG | 6 | EA |
| 12 | 1129005 | TRIM QUICK EDGE | PER | FT |
| 13 | 097084207 | BRACKET FUSE BOX MOUNTING | 1 | EA |
| 14 | 097084404 | BRACKET DOME LAMP AL .102X9.44X77 | 1 | EA |
| 15 | 05M078011 | SUPPORT RECP AL .125X19.89X24.7 | 1 | EA |
| 16 | 45200051 | RECEPTICLE TRASH PLASTIC | 1 | EA |
| 17 | 47009235 | FIRE EXTG 2.5LB (STEEL STRAP ONLY 47009236) | 1 | EA |
| 18 | 47009547 | KTR FLX 3 TRIANGLES IN BOX | 1 | EA |
| 19 | 47009548 | BRACKET TRIANGLE BOX | 1 | EA |
| 20 | 009177401 | BRACKET MTG MUD FLAP AL .188X4X19.38 | 2 | EA |
| 21 | 1107308 | MUD FLAP BLACK W/O LOGO 20X24 | 1 | PR |
| 22 | 009177402 | RETAINER PLATE MUD FLAP AL .125X1.5X19.38 | 2 | EA |
| 23 | 47009706 | SUPPORT MUD FLAP STEEL WIRE 4GA 90W | 2 | EA |
| 24 | 47009030 | SPILL KIT | 1 | EA |
| 25 | 091052400 | GRAB HANDLE AL 450218X25 | 2 | EA |
| NS | 099001424 | GRAB HANDLE STAINLESS 1" DIA X18 YL | 1 | EA |
| NS | 47009187 | FILE HOLDER MESH | 1 | EA |



| ITEM # | PART # | DESCRIPTION | QTY. | UNIT |
|--------|-----------|-------------------------------------|------|------|
| 1 | 46025567 | RADIO AM/FM/WB/CD | 1 | EA |
| 2 | 43004400 | PAMPHLET RADIO Q/START GUIDE | 1 | EA |
| 3 | 46001340 | LAMP C/M RED LED NO PC | 3 | EA |
| 4 | 46001341 | LAMP C/M LED PC RED | 2 | EA |
| 5 | 46001344 | LAMP C/M LED NO PC AMB | 7 | EA |
| 6 | 46001444 | LAMP BACK UP LED GRY FLG | 2 | EA |
| 7 | 46002255 | LAMP STOP TAIL TURN LED GRY FLG | 4 | EA |
| 8 | 46002419 | LAMP LICENSE PLATE LED | 1 | EA |
| 9 | 46002638 | LAMP DOME RECESSED LED | 1 | EA |
| 10 | 46012046 | PIGTAIL S/T/T LED AMP | 1 | EA |
| 11 | 46012049 | PIGTAIL B/U LED AMP | 1 | EA |
| 12 | 46024529 | BACKUP ALARM | 1 | FT |
| 13 | 46032068 | SHUTDOWN IDLE LIMITER | 1 | EA |
| 14 | 48200025 | CABLE CAMERA TO MONITOR X40FT | 1 | EA |
| 15 | 48200042 | INLINE CONTROL BOX | 1 | EA |
| 16 | 48200043 | CAMERA KIT | 1 | EA |
| 17 | 084095201 | BRACKTT ASSEMBLY GPS MOUNTING | 1 | EA |
| 18 | 46027403 | BRACKET GPS MOUNTING | 1 | EA |
| 19 | 084000400 | LABEL FUSE/BLK | 1 | EA |
| 20 | 084000401 | LABEL FUSE GPS | 1 | EA |
| 21 | 097000401 | LABEL FUSE BLOCK DRL | 1 | EA |
| 22 | 084084402 | GUARD WRG AL450502X6 | 1 | EA |
| 23 | 097087403 | GUARD WIRING LP AL .07X4.69X11.75 | 1 | EA |
| 24 | 097081201 | BRACKET ASSEMBLY DRL MTG | 1 | EA |
| NS | 48200102 | MONITOR LCD 5.6" | 1 | EA |
| NS | 46027604 | GPS UNIT | 1 | EA |
| NS | 091090419 | PANEL CLOSEOUT AL .07X10.23X53.85 L | 1 | EA |
| NS | 091090440 | PANEL CLOSEOUT AL .07X10.23X53.85 R | 1 | EA |
| NS | 47009600 | CARPET GRAY BLACHFORD CFA3-25 | 2.04 | FT |



PROPRIETARY

This drawing is the property of Morgan Olson. It is to be used only for the specific vehicle and chassis for which it was prepared. It is not to be used for any other vehicle or chassis without the express written permission of Morgan Olson.

MORGAN NOLSON

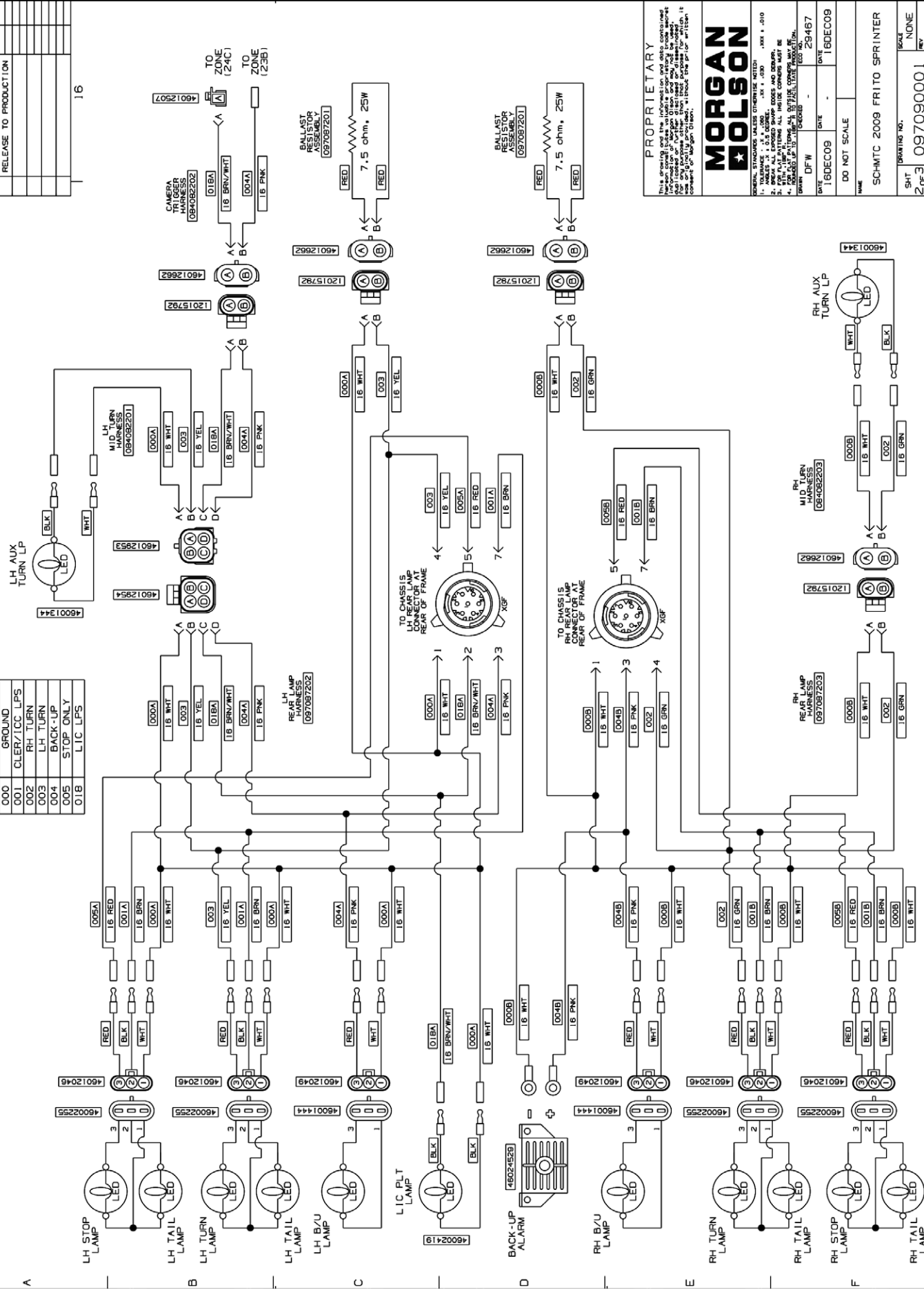
GENERAL STANDARD UNLESS OTHERWISE NOTED:
 1. DIMENSIONS IN INCHES UNLESS OTHERWISE NOTED.
 2. DIMENSIONS IN MILLIMETERS UNLESS OTHERWISE NOTED.
 3. DIMENSIONS IN METERS UNLESS OTHERWISE NOTED.
 4. DIMENSIONS IN FEET UNLESS OTHERWISE NOTED.
 5. DIMENSIONS IN METERS UNLESS OTHERWISE NOTED.

DATE: 16DEC09
 DATE: 16DEC09
 DFW: 29467
 DO NOT SCALE
 NAME: SCHMTC 2009 FRITO SPRINTER
 SCALE: NONE
 DRAWING NO.: 097090001

| | | | |
|-----------|-----------------------|----|------|
| REV | DESCRIPTION | BY | DATE |
| 097090001 | RELEASE TO PRODUCTION | | |

DRAWING NO. 097090001 SHT 2 of 3

| CKT | FUNCTION |
|-----|--------------|
| 000 | GROUND |
| 001 | CLER/LCC LPS |
| 002 | RH TURN |
| 003 | LH TURN |
| 004 | BACK-UP |
| 005 | STOP-ONLY |
| 018 | LIC LPS |



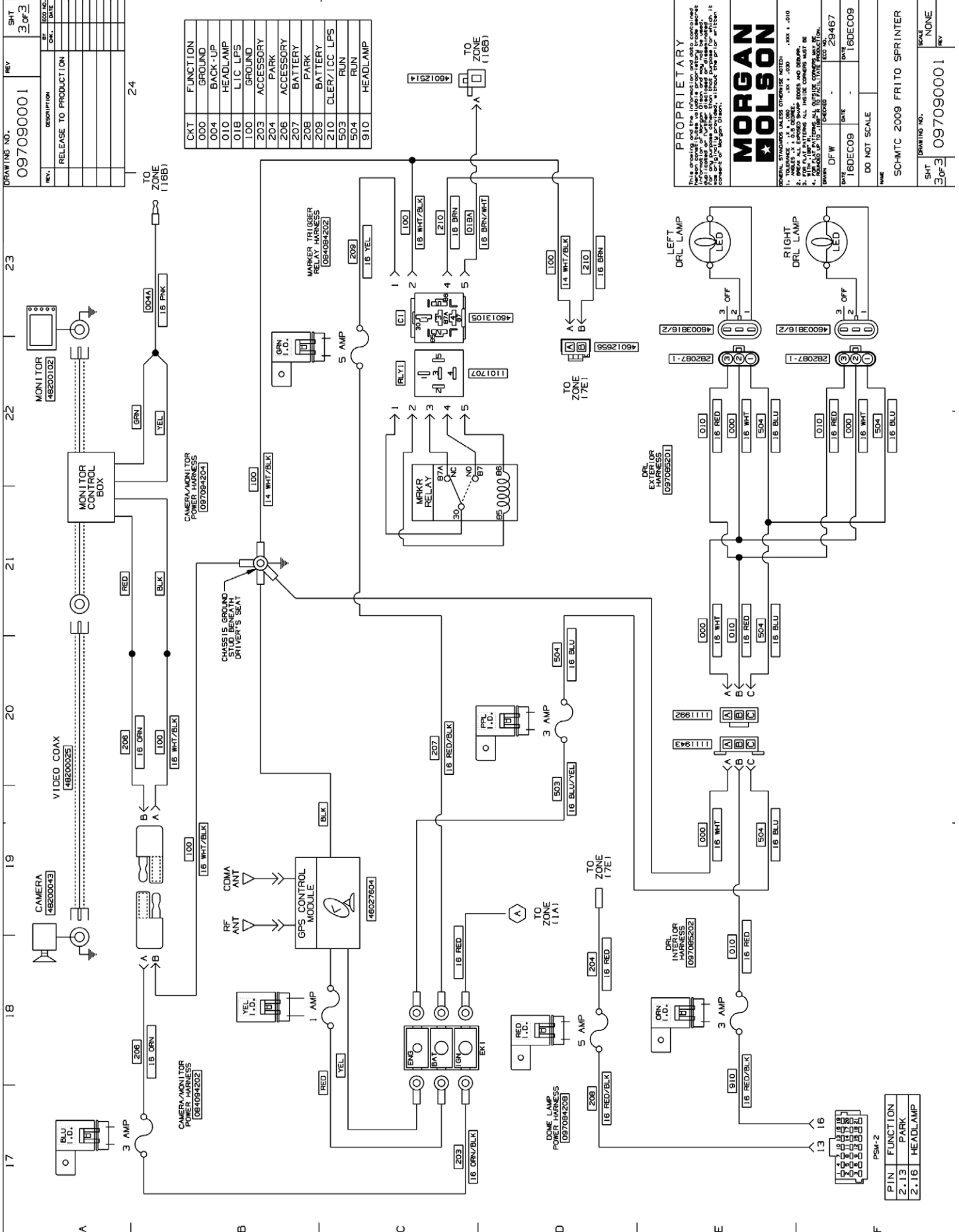
PROPRIETARY

Morgan Nolson is a registered trademark of Morgan Nolson. All other trademarks are the property of their respective owners. This document is the property of Morgan Nolson and is not to be distributed, copied, or reproduced without the prior written consent of Morgan Nolson.

MORGAN NOLSON

GENERAL STANDARDS UNLESS OTHERWISE NOTED: .001" .001" .010"
 1. ALL DIMENSIONS ARE IN INCHES UNLESS OTHERWISE SPECIFIED.
 2. ALL DIMENSIONS ARE TO CENTER UNLESS OTHERWISE SPECIFIED.
 3. ALL DIMENSIONS ARE TO DIMENSION LINES UNLESS OTHERWISE SPECIFIED.
 4. ALL DIMENSIONS ARE TO DIMENSION LINES UNLESS OTHERWISE SPECIFIED.
 5. ALL DIMENSIONS ARE TO DIMENSION LINES UNLESS OTHERWISE SPECIFIED.

DATE 18DEC09 DATE 29487 DATE 18DEC09
 DO NOT SCALE
 NAME SCHMTC 2009 FRITO SPRINTER
 DRAWING NO. 097090001
 SHT 2 of 3
 REV NONE



PROPRIETARY

This circuit is the property of Morgan-Nolson. It is to be used only for the vehicle for which it was designed. It is not to be used on any other vehicle without the express written consent of Morgan-Nolson. If you are not the original purchaser, please contact the manufacturer for more information.

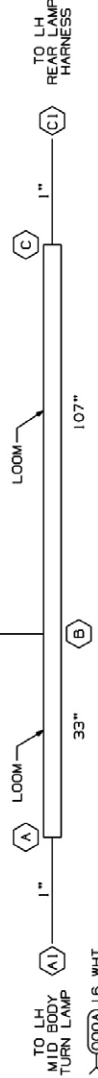
MORGAN NOLSON

GENERAL STANDARD SALES OTHERWISE NOTED: .0001" .010
 1. ALL DIMENSIONS ARE TO CENTER UNLESS OTHERWISE SPECIFIED.
 2. ALL DIMENSIONS ARE TO CENTER UNLESS OTHERWISE SPECIFIED.
 3. ALL DIMENSIONS ARE TO CENTER UNLESS OTHERWISE SPECIFIED.
 4. ALL DIMENSIONS ARE TO CENTER UNLESS OTHERWISE SPECIFIED.

DATE: 18DEC09 DATE: 29467
 DO NOT SCALE
 NAME: SCHMTC 2009 FRITO SPRINTER
 SHEET: 3 of 3
 DRAWING NO.: 097090001
 SCALE: NONE
 REV: NONE

| | | | |
|-------------|------------------------|-----|-----------|
| DRAWING NO. | REV | SHT | LOF |
| 084082201 | | | |
| REV. | DESCRIPTION | BY | REL. DATE |
| | RELEASE FOR PRODUCTION | | |
| | | | |
| | | | |
| | | | |
| | | | |
| | | | |

> (018A) 16 BRN/WHT (A) MKKR SIG.
> (001A) 16 PNK (B) BACK UP



- 180-F > (000A) 16 WHT MOLDED BLTT GROUND
- 180-F > (003) 16 YEL MOLDED BLTT LH TURN

- << (000A) 16 WHT (A) GROUND
- << (003) 16 YEL (B) LH TURN
- << (018A) 16 BRN/WHT (C) MKKR SIG.
- << (001A) 16 PNK (D) BACK UP

9. THIS IS A PURCHASED HARNESS. NO BILL OF MATERIAL EXISTS.
8. VENDOR MAY REPLACE PIGTAILS WITH WIRING TO APPROVED MOLDINGS OR CONNECTORS. PIGTAILS SHOWN IN TERMINAL VIEW.
7. HARNESS TO BE TESTED FOR CONTENT, OPENS, SHORTS, AND CONTINUITY.
6. CONNECTORS SHOWN FROM WIRE ENTRY SIDE, UNLESS OTHERWISE NOTED.
5. SPLICES TO BE AUTOMATED WITH TOLDER AND HEAT SHRINK TUBING.
4. TAPE (1111086): 6" AT BREAKOUTS AND 2" AT LOOM ENDS.
3. HARNESS TO HAVE A LABEL SHOWING MORGAN NOLSON LEVEL NUMBER, REVISION LEVEL NUMBER, DATE OF MANUFACTURE.
2. SPLIT POLY LOOM UNLESS OTHERWISE NOTED.

1. GXL WIRE.

NOTES:

PROPRIETARY
This drawing and the information contained hereon are the property of Morgan Olson and are not to be distributed or otherwise used without the prior written consent of Morgan Olson.



GENERAL STANDARDS UNLESS OTHERWISE NOTED:

1. DIMENSIONS ARE IN INCHES UNLESS OTHERWISE NOTED.
2. FOR ALL DIMENSIONS ALL HOLE DIMENSIONS MUST BE HOLE DIMENSIONS UNLESS OTHERWISE NOTED.
3. DIMENSIONS TO CENTER UNLESS OTHERWISE NOTED.
4. DIMENSIONS TO CENTER UNLESS OTHERWISE NOTED.
5. DIMENSIONS TO CENTER UNLESS OTHERWISE NOTED.

| | | | |
|------------------------------|-------------|------|---------|
| DATE | 22DEC08 | DATE | 22DEC08 |
| DFW | DFW | DFW | 25973 |
| DATE | 22DEC08 | DATE | 22DEC08 |
| DO NOT SCALE | | | |
| NAME | | | |
| HARN MID TURN FRITO SPRINTER | | | |
| 2008 1LH1 | | | |
| SHT | SCALE | | |
| LOF | NONE | | |
| | DRAWING NO. | | |
| | 084082201 | | |

FIRST USE:
JV000252

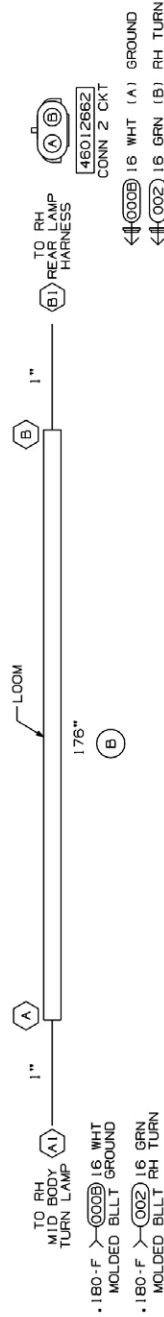
HARN AND LOOM TOLERANCES

| | |
|--------------|----------|
| UP TO 60" | = -0/+2" |
| 60" TO 100" | = -0/+4" |
| 100" TO 200" | = -0/+5" |
| 200" TO 400" | = -0/+6" |
| 400" TO 600" | = -0/+7" |
| OVER 600" | = -0/+8" |

BO TO BO = -0/+2"
TOLERANCE IS NOT ACCUMULATIVE. LENGTH APPLIES TO OVERALL HARNESS LENGTH, BREAKOUT TO END, OR LOOM.

| | | |
|------------------------|------------|--------|
| DRAWING NO. | REV | SHT |
| 084082203 | B | 1 of 1 |
| DESCRIPTION | ISSUE DATE | |
| RELEASE FOR PRODUCTION | | |
| A REVISED NOTES & LOOM | DATE | BY |
| B 176" WAS 140" | | |

10. VENDOR TO GREASE FEMALE BULLET TERMINALS.
 9. THIS IS A PURCHASED PART. BILL OF MATERIAL EXISTS.
 8. VENDOR MAY REPLACE PIGTAILS WITH WIRING TO APPROVED MOULDINGS OR CONNECTORS. PIGTAILS SHOWN IN TERMINAL VIEW.
 7. HARNESS TO BE TESTED FOR CONTENT, OPENS, SHORTS, AND CONTINUITY.
 6. CONNECTORS SHOWN FROM WIRE ENTRY SIDE, UNLESS OTHERWISE NOTED.
 5. SPLICES TO BE AUTOMATED WITH SOLDER AND ADHESIVE LINED HEAT SHRINK TUBING.
 4. TAPE [1111096]: 6" AT BREAKOUTS, 2" AT 18" INTERVALS FOR UNINTERRUPTED LOOM LENGTHS GREATER THAN 24", AND 2" AT LOOM ENDS.
 3. HARNESS TO HAVE A LABEL SHOWING MORGAN OLSON PART NUMBER, REVISION LEVEL, AND DATE OF MANUFACTURE.
 2. SPLIT NYLON LOOM, BLACK WITH GRAY STRIPE, UNLESS OTHERWISE NOTED.
 1. GXL WIRE.
- NOTES:



PROPRIETARY

This drawing and its contents are the property of Morgan Olson. No part of this drawing may be reproduced, stored in a retrieval system, or transmitted in any form or by any means, electronic, mechanical, photocopying, recording, or by any information storage and retrieval system, without the prior written permission of Morgan Olson.



GENERAL STANDARDS UNLESS OTHERWISE NOTED

1. UNLESS OTHERWISE SPECIFIED, ALL DIMENSIONS ARE IN INCHES.
2. DIMENSIONS IN PARENTHESES ARE FOR INFORMATION ONLY.
3. DIMENSIONS IN SQUARE BRACKETS ARE FOR INFORMATION ONLY.
4. DIMENSIONS IN CIRCLES ARE FOR INFORMATION ONLY.

DATE: 22DEC08
DFW: DFW
DATE: 25B73

DO NOT SCALE

HARN MID TURN FRITO SPRINTER 2008 (RPH)

| | |
|-------------|-------|
| SHT | SCALE |
| 1 of 1 | NONE |
| DRAWING NO. | REV |
| 084082203 | B |

FIRST USE:
JV000252

HARNESS AND LOOM TOLERANCES

| | |
|--------------|--------|
| UP TO 60" | -0/+2" |
| 60" TO 100" | -0/+4" |
| 100" TO 200" | -0/+5" |
| 200" TO 400" | -0/+6" |
| 400" TO 600" | -0/+7" |
| OVER 600" | -0/+8" |

BO TO BO : -0/+2"

LENGTHS APPL. FROM BREAKOUT TO BREAKOUT, OR BREAKOUT TO WIRE ENTRY SIDE OF CONNECTOR, OR END OF COVER.

| | | | |
|--------------|-----------|------------------------|-----|
| PRINTING NO. | 084094201 | REV. | 1.0 |
| DATE | | DESCRIPTION | |
| | | RELEASE FOR PRODUCTION | |
| | | | |
| | | | |
| | | | |
| | | | |
| | | | |
| | | | |
| | | | |

9. THIS IS A PURCHASED HARNESS. NO BILL OF MATERIAL EXISTS.
8. VENDORS MAY REPLACE PIGTAILS WITH WIRING TO APPROVED MOLDS OR CONNECTORS. PIGTAILS SHOWN IN TERMINAL VIEW.
7. HARNESS TO BE TESTED FOR CONTINENT OPENING, SHORTS, AND CONTINUITY.
6. CONNECTORS SHOWN FROM THE FRONT UNLESS OTHERWISE NOTED.
5. SPLICES TO BE AUTOMATED WITH SOLDER AND HEAT SHRINKING TUBING.
4. TAPE (1111099) 6" AT BREAKOUTS AND 2" AT LOOM ENDS.
3. HARNESS TO HAVE A LABEL SHOWING MORGAN NOLSON PART NUMBER, REVISION AND DATE OF MANUFACTURE.
2. SPLIT POLY LOOM UNLESS OTHERWISE NOTED.
1. GAL. WIRE.

NOTES:
 PROPRIETARY
 THIS DRAWING IS THE PROPERTY OF MORGAN NOLSON. IT IS TO BE USED ONLY FOR THE PART AND QUANTITY SPECIFIED. IT IS NOT TO BE REPRODUCED OR COPIED IN ANY MANNER WITHOUT THE WRITTEN PERMISSION OF MORGAN NOLSON.

MORGAN NOLSON

1000 W. 10TH AVENUE, SUITE 100
 DENVER, CO 80202
 TEL: 303.733.1234 FAX: 303.733.1235
 WWW.MORGANOLSON.COM

DATE: 08/11/09
 DRAWN BY: J. J. JENSEN
 CHECKED BY: J. J. JENSEN
 PART NO: 084094201
 REV: 1.0

DO NOT SCALE

HARN. ACCY/GND MON PART
 PRINTO-SMARTINTER 2008

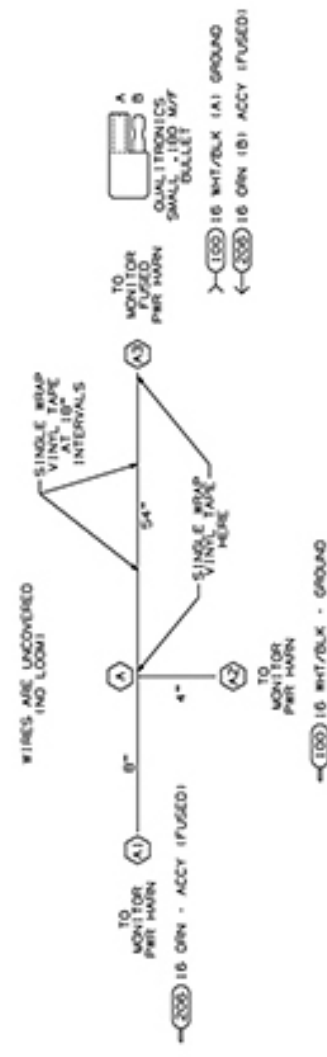
DATE: 08/11/09
 PART NO: 084094201
 REV: 1.0

FIRST USE PURPOSE

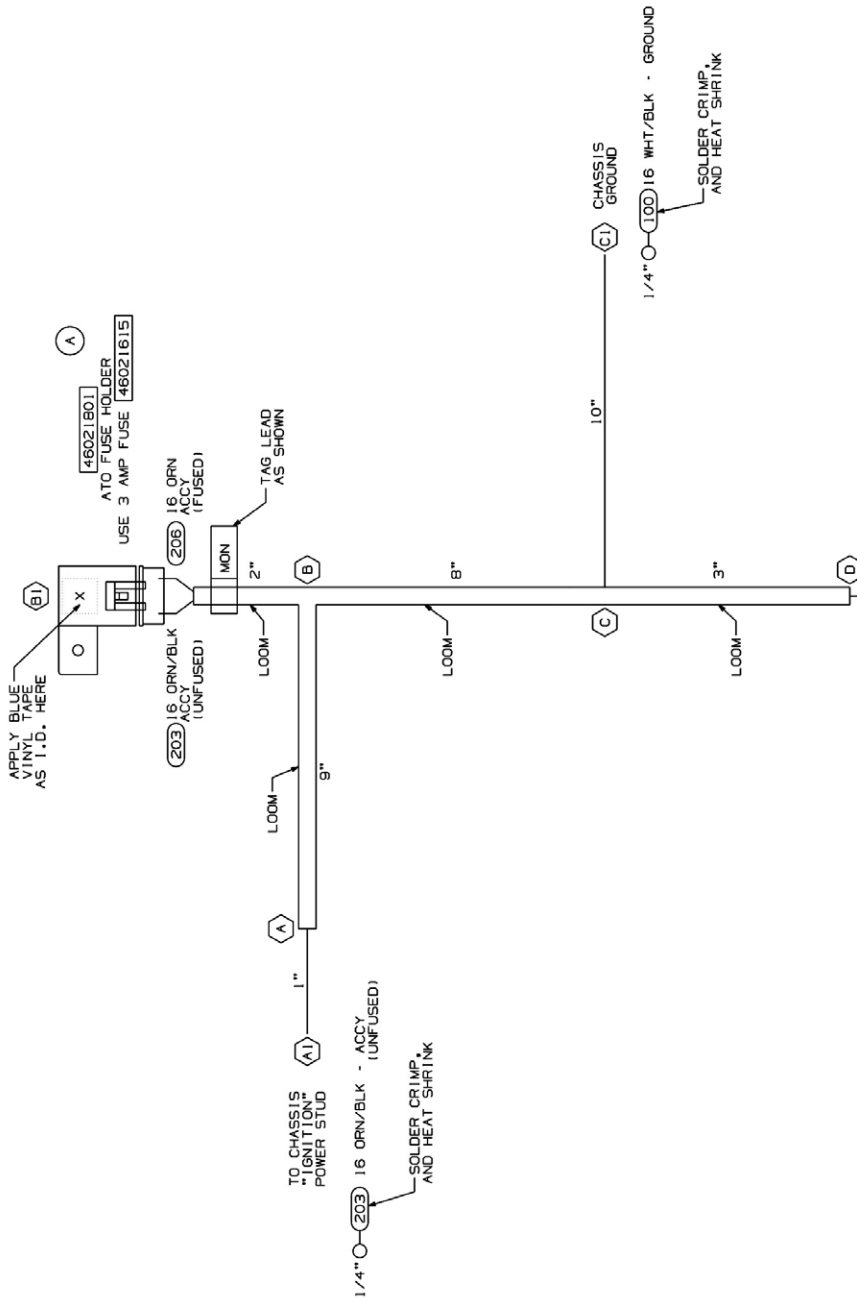
HARNESS AND LOOM TOLERANCES

| | |
|--------------|---------|
| UP TO 60" | +0/-2" |
| 60" TO 100" | +0/-4" |
| 100" TO 200" | +0/-5" |
| 200" TO 400" | +0/-8" |
| 400" TO 600" | +0/-12" |
| OVER 600" | +0/-18" |
| 80 TO 60" | +0/-2" |

TOLERANCE IS NOT APPLICABLE TO OVERALL HARNESS LENGTH, BREAKOUT TO END, OR LOOM.



| | | |
|------------------------|-----|----------|
| DRAWING NO. | REV | SHT |
| 084094202 | A | 1 of 1 |
| DESCRIPTION | BY | REL. NO. |
| RELEASE FOR PRODUCTION | CHT | DATE |
| 3 AMP FUSE WAS 5 AMP | DFW | REVISED |
| | | |
| | | |
| | | |
| | | |



9. THIS IS A PURCHASED HARNESS. NO BILL OF MATERIAL EXISTS.
8. VENDOR MAY REPLACE PIGTAILS WITH WIRING TO APPROVED MOLDINGS OR CONNECTORS. PIGTAILS SHOWN IN TERMINAL VIEW.
7. HARNESS TO BE TESTED FOR CONTENT, OPENS, SHORTS, AND CONTINUITY.
6. CONNECTORS SHOWN FROM THE FRONT SIDE, UNLESS OTHERWISE NOTED.
5. SPLICES TO BE AUTOMATED WITH SOLDER AND HEAT SHRINK TUBING.
4. TAPE [1111096]: 6" AT BREAKOUTS AND 2" AT LOOM ENDS.
3. HARNESS TO HAVE A LABEL SHOWING MORGAN OLSON PART NUMBER, REVISION LEVEL, AND DATE OF MANUFACTURE.
2. SPLIT POLY LOOM UNLESS OTHERWISE NOTED.
1. GXL WIRE.

PROPRIETARY

MORGAN OLSON

REVISIONS UNLESS OTHERWISE NOTED:
 1. REVISED TO 3 AMP FUSE, 16 GA. ACCY. WIRE.
 2. FOR PLANT/TERMINAL ALL HARNESS CONDUCTORS MUST BE IDENTIFIED BY PART NUMBER AND DATE OF MANUFACTURE.
 3. FOR PLANT/TERMINAL ALL HARNESS CONDUCTORS MUST BE IDENTIFIED BY PART NUMBER AND DATE OF MANUFACTURE.
 4. FOR PLANT/TERMINAL ALL HARNESS CONDUCTORS MUST BE IDENTIFIED BY PART NUMBER AND DATE OF MANUFACTURE.
 5. FOR PLANT/TERMINAL ALL HARNESS CONDUCTORS MUST BE IDENTIFIED BY PART NUMBER AND DATE OF MANUFACTURE.

| | | |
|---------|---------|---------|
| DATE | DATE | DATE |
| 24DEC08 | 24DEC08 | 24DEC08 |
| DFW | DFW | DFW |
| 25654 | 25654 | 25654 |

DO NOT SCALE

NAME: HARN MON FUSED PWR FRITO SPRINTER 2008

SHT: 1 OF 1
 DRAWING NO: 084094202
 SCALE: NONE
 REV: A

FIRST USE: JY000252

HARNESS AND LOOM TOLERANCES

UP TO 60" : -0/+2"
 60" TO 100" : -0/+4"
 100" TO 200" : -0/+5"
 200" TO 400" : -0/+6"
 400" TO 600" : -0/+7"
 OVER 600" : -0/+8"
 BO TO BO : -0/+2"

TOLERANCE IS NOT ACCUMULATIVE. LENGTH APPLIES TO OVERALL HARNESS LENGTH. BREAKOUT LENGTH APPLIES TO END, OR LOOM.

| | | |
|------------------------|------------|--------|
| DRAWING NO. | REV | SHT |
| 097085201 | | 1 of 1 |
| DESCRIPTION | ISSUE DATE | |
| RELEASE FOR PRODUCTION | CHK | |
| | | |
| | | |
| | | |
| | | |
| | | |
| | | |

9. THIS IS A PURCHASED HARNESS. NO BILL OF MATERIAL EXISTS.
8. VENDOR MAY REPLACE PIGTAILS WITH WIRING TO APPROVED MOLDINGS OR CONNECTIONS. INSTAILLS SHOWN IN TERMINAL VIEW.
7. HARNESS TO BE TESTED FOR CONTENT, OPENS, SHORTS, AND CONTINUITY.
6. CONNECTORS SHOWN FROM WIRE ENTRY SIDE, UNLESS OTHERWISE NOTED.
5. SPLICES TO BE AUTOMATED WITH TIG OR ARGON WELD. LINED HEAT-SHRINK TUBING.
4. TAPE [1111098]: 6" AT BREAKOUTS, 2" AT 18" INTERVALS, FOR UNINTERRUPTED LOOM LENGTHS GREATER THAN 24", AND 2" AT LOOM ENDS.
3. HARNESS TO HAVE A LABEL SHOWING MORGAN OLSON PART NUMBER, REVISION LEVEL, AND DATE OF MANUFACTURE.
2. SPLIT NYLON LOOM, BLACK WITH GRAY STRIPE UNLESS OTHERWISE NOTED.
1. GXL WIRE.

NOTES:

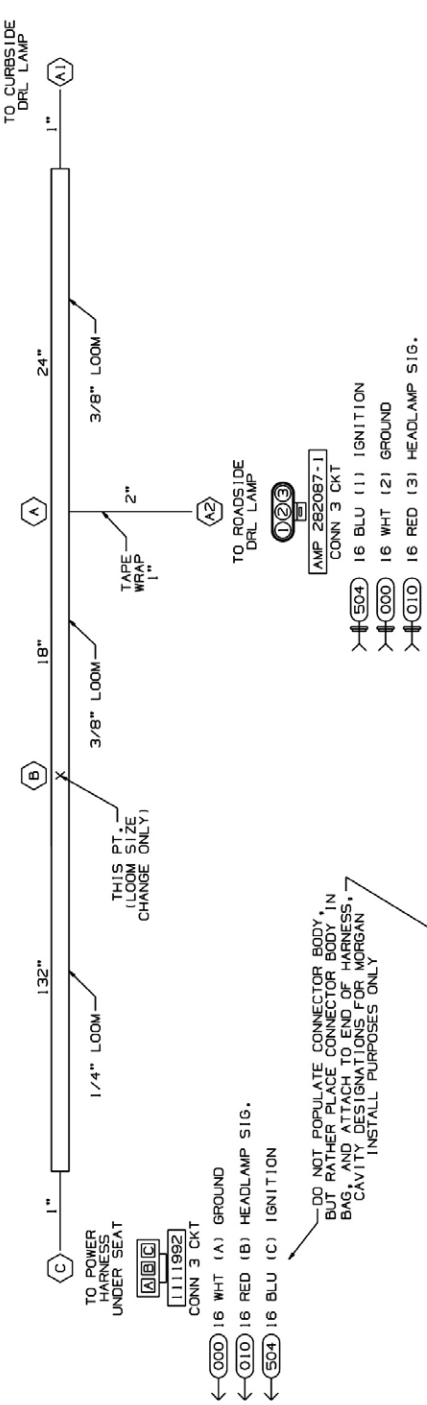
PROPRIETARY
 This document is the property of Morgan Olson. It is to be used only for the specific vehicle and application for which it was prepared. It is not to be reproduced, copied, or distributed in any form without the written permission of Morgan Olson. If you are not an authorized recipient, please do not use this information. If you have any questions, please contact your Morgan Olson representative.



| | |
|--|---|
| GENERAL DIMENSIONS UNLESS OTHERWISE NOTED: | |
| 1. HARNESSES TO BE MADE TO ORDER. | 2. ALL DIMENSIONS ARE IN INCHES UNLESS OTHERWISE NOTED. |
| 3. FOR PLANT TESTING, ALL DIMENSIONS MAY BE APPROXIMATE. | 4. DIMENSIONS OF THIS DRAWING ARE FOR INFORMATION ONLY. |
| DATE | DATE |
| 01NOV09 | 28925 |
| DO NOT SCALE | 01NOV09 |
| NAME | |
| HARN DRL EXT 2009 SPRINTER | |
| DRAWING NO. | SCALE |
| 097085201 | |
| SHT | REV |
| 1 of 1 | |

- > (504) 16 BLU (1) IGNITION
- > (000) 16 WHT (2) GROUND
- > (010) 16 RED (3) HEADLAMP SIG.

(1)(2)(3)
 AMP 2820B7-1
 CONN 3 CKT
 TO CURBSIDE DRL LAMP



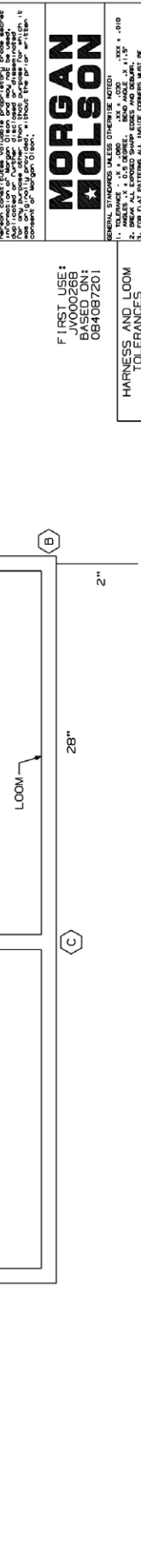
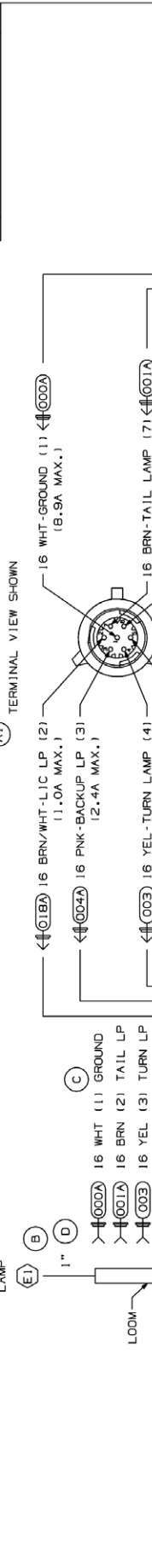
HARNESSES AND LOOM TOLERANCES

| | |
|--------------|----------|
| UP TO 60" | : -0/+2" |
| 60" TO 100" | : -0/+4" |
| 100" TO 200" | : -0/+5" |
| 200" TO 400" | : -0/+6" |
| 400" TO 600" | : -0/+7" |
| OVER 600" | : -0/+8" |
| BO TO BO | : -0/+2" |

LENGTHS APPLY FROM BREAKOUT TO BREAKOUT, OR BREAKOUT TO WIRE ENTRY SIDE OF CONNECTOR, OR END OF COVER.

FIRST USE:
 JV000268

| | | |
|-------------|-------------------------------|--------|
| DRAWING NO. | REV | SHT |
| 097087202 | D | 1 OF 1 |
| REV. | DESCRIPTION | BY |
| A | RELEASE FOR PRODUCTION | DFW |
| B | 1) ADDED TERM VIEW NOTE | DFW |
| C | 2) REMOVED PROMET | DFW |
| D | 3) REMOVED PROMET | DFW |
| E | 4) CHG 2900T W/2 B/LT 1794G | MTS |
| F | 5) CHG 2900T W/2 B/LT 1794G | MTS |
| G | 6) CHG 2900T W/2 B/LT 1794G | MTS |
| H | 7) CHG 2900T W/2 B/LT 1794G | MTS |
| I | 8) CHG 2900T W/2 B/LT 1794G | MTS |
| J | 9) CHG 2900T W/2 B/LT 1794G | MTS |
| K | 10) CHG 2900T W/2 B/LT 1794G | MTS |
| L | 11) CHG 2900T W/2 B/LT 1794G | MTS |
| M | 12) CHG 2900T W/2 B/LT 1794G | MTS |
| N | 13) CHG 2900T W/2 B/LT 1794G | MTS |
| O | 14) CHG 2900T W/2 B/LT 1794G | MTS |
| P | 15) CHG 2900T W/2 B/LT 1794G | MTS |
| Q | 16) CHG 2900T W/2 B/LT 1794G | MTS |
| R | 17) CHG 2900T W/2 B/LT 1794G | MTS |
| S | 18) CHG 2900T W/2 B/LT 1794G | MTS |
| T | 19) CHG 2900T W/2 B/LT 1794G | MTS |
| U | 20) CHG 2900T W/2 B/LT 1794G | MTS |
| V | 21) CHG 2900T W/2 B/LT 1794G | MTS |
| W | 22) CHG 2900T W/2 B/LT 1794G | MTS |
| X | 23) CHG 2900T W/2 B/LT 1794G | MTS |
| Y | 24) CHG 2900T W/2 B/LT 1794G | MTS |
| Z | 25) CHG 2900T W/2 B/LT 1794G | MTS |
| AA | 26) CHG 2900T W/2 B/LT 1794G | MTS |
| AB | 27) CHG 2900T W/2 B/LT 1794G | MTS |
| AC | 28) CHG 2900T W/2 B/LT 1794G | MTS |
| AD | 29) CHG 2900T W/2 B/LT 1794G | MTS |
| AE | 30) CHG 2900T W/2 B/LT 1794G | MTS |
| AF | 31) CHG 2900T W/2 B/LT 1794G | MTS |
| AG | 32) CHG 2900T W/2 B/LT 1794G | MTS |
| AH | 33) CHG 2900T W/2 B/LT 1794G | MTS |
| AI | 34) CHG 2900T W/2 B/LT 1794G | MTS |
| AJ | 35) CHG 2900T W/2 B/LT 1794G | MTS |
| AK | 36) CHG 2900T W/2 B/LT 1794G | MTS |
| AL | 37) CHG 2900T W/2 B/LT 1794G | MTS |
| AM | 38) CHG 2900T W/2 B/LT 1794G | MTS |
| AN | 39) CHG 2900T W/2 B/LT 1794G | MTS |
| AO | 40) CHG 2900T W/2 B/LT 1794G | MTS |
| AP | 41) CHG 2900T W/2 B/LT 1794G | MTS |
| AQ | 42) CHG 2900T W/2 B/LT 1794G | MTS |
| AR | 43) CHG 2900T W/2 B/LT 1794G | MTS |
| AS | 44) CHG 2900T W/2 B/LT 1794G | MTS |
| AT | 45) CHG 2900T W/2 B/LT 1794G | MTS |
| AU | 46) CHG 2900T W/2 B/LT 1794G | MTS |
| AV | 47) CHG 2900T W/2 B/LT 1794G | MTS |
| AW | 48) CHG 2900T W/2 B/LT 1794G | MTS |
| AX | 49) CHG 2900T W/2 B/LT 1794G | MTS |
| AY | 50) CHG 2900T W/2 B/LT 1794G | MTS |
| AZ | 51) CHG 2900T W/2 B/LT 1794G | MTS |
| BA | 52) CHG 2900T W/2 B/LT 1794G | MTS |
| BB | 53) CHG 2900T W/2 B/LT 1794G | MTS |
| BC | 54) CHG 2900T W/2 B/LT 1794G | MTS |
| BD | 55) CHG 2900T W/2 B/LT 1794G | MTS |
| BE | 56) CHG 2900T W/2 B/LT 1794G | MTS |
| BF | 57) CHG 2900T W/2 B/LT 1794G | MTS |
| BG | 58) CHG 2900T W/2 B/LT 1794G | MTS |
| BH | 59) CHG 2900T W/2 B/LT 1794G | MTS |
| BI | 60) CHG 2900T W/2 B/LT 1794G | MTS |
| BJ | 61) CHG 2900T W/2 B/LT 1794G | MTS |
| BK | 62) CHG 2900T W/2 B/LT 1794G | MTS |
| BL | 63) CHG 2900T W/2 B/LT 1794G | MTS |
| BM | 64) CHG 2900T W/2 B/LT 1794G | MTS |
| BN | 65) CHG 2900T W/2 B/LT 1794G | MTS |
| BO | 66) CHG 2900T W/2 B/LT 1794G | MTS |
| BP | 67) CHG 2900T W/2 B/LT 1794G | MTS |
| BQ | 68) CHG 2900T W/2 B/LT 1794G | MTS |
| BR | 69) CHG 2900T W/2 B/LT 1794G | MTS |
| BS | 70) CHG 2900T W/2 B/LT 1794G | MTS |
| BT | 71) CHG 2900T W/2 B/LT 1794G | MTS |
| BU | 72) CHG 2900T W/2 B/LT 1794G | MTS |
| BV | 73) CHG 2900T W/2 B/LT 1794G | MTS |
| BW | 74) CHG 2900T W/2 B/LT 1794G | MTS |
| BX | 75) CHG 2900T W/2 B/LT 1794G | MTS |
| BY | 76) CHG 2900T W/2 B/LT 1794G | MTS |
| BZ | 77) CHG 2900T W/2 B/LT 1794G | MTS |
| CA | 78) CHG 2900T W/2 B/LT 1794G | MTS |
| CB | 79) CHG 2900T W/2 B/LT 1794G | MTS |
| CC | 80) CHG 2900T W/2 B/LT 1794G | MTS |
| CD | 81) CHG 2900T W/2 B/LT 1794G | MTS |
| CE | 82) CHG 2900T W/2 B/LT 1794G | MTS |
| CF | 83) CHG 2900T W/2 B/LT 1794G | MTS |
| CG | 84) CHG 2900T W/2 B/LT 1794G | MTS |
| CH | 85) CHG 2900T W/2 B/LT 1794G | MTS |
| CI | 86) CHG 2900T W/2 B/LT 1794G | MTS |
| CJ | 87) CHG 2900T W/2 B/LT 1794G | MTS |
| CK | 88) CHG 2900T W/2 B/LT 1794G | MTS |
| CL | 89) CHG 2900T W/2 B/LT 1794G | MTS |
| CM | 90) CHG 2900T W/2 B/LT 1794G | MTS |
| CN | 91) CHG 2900T W/2 B/LT 1794G | MTS |
| CO | 92) CHG 2900T W/2 B/LT 1794G | MTS |
| CP | 93) CHG 2900T W/2 B/LT 1794G | MTS |
| CQ | 94) CHG 2900T W/2 B/LT 1794G | MTS |
| CR | 95) CHG 2900T W/2 B/LT 1794G | MTS |
| CS | 96) CHG 2900T W/2 B/LT 1794G | MTS |
| CT | 97) CHG 2900T W/2 B/LT 1794G | MTS |
| CU | 98) CHG 2900T W/2 B/LT 1794G | MTS |
| CV | 99) CHG 2900T W/2 B/LT 1794G | MTS |
| AW | 100) CHG 2900T W/2 B/LT 1794G | MTS |



| | | |
|------|-----------------------------|-----|
| REV. | DESCRIPTION | BY |
| A | RELEASE FOR PRODUCTION | DFW |
| B | 1) ADDED TERM VIEW NOTE | DFW |
| C | 2) REMOVED PROMET | DFW |
| D | 3) REMOVED PROMET | DFW |
| E | 4) CHG 2900T W/2 B/LT 1794G | MTS |
| F | 5) CHG 2900T W/2 B/LT 1794G | MTS |
| G | | |

| | | |
|------------------------|-----|--------|
| DRAWING NO. | REV | SHT |
| 097093208 | | 1 OF 1 |
| DESCRIPTION | REV | DATE |
| RELEASE FOR PRODUCTION | | |
| | | |
| | | |
| | | |
| | | |
| | | |
| | | |

| CIRCUIT | GAUGE, COLOR | END POINTS | FUNCTION |
|---------|--------------|------------------------|-----------------------|
| 100 | 16 WHT | A1, B1, C1, D1, E1, F1 | GROUND |
| 210 | 16 BRN | A1, B1, C1, D1, E1, F1 | CLER/ICC/MARKER LAMPS |



- 180 BLLT (100) 16 WHT GROUND
- 180 BLLT (210) 16 BRN RH CLER/MPKR LAMP (A)
- 180 BLLT (100) 16 WHT GROUND
- 180 BLLT (210) 16 BRN RH ICC LAMP (B)
- 180 BLLT (100) 16 WHT GROUND
- 180 BLLT (210) 16 BRN CTR ICC LAMP (C)
- 180 BLLT (100) 16 WHT GROUND
- 180 BLLT (210) 16 BRN LH ICC LAMP (D)
- 180 BLLT (100) 16 WHT GROUND
- 180 BLLT (210) 16 BRN LH CLER/MPKR LAMP (E)

- THIS IS A PURCHASED HARNESS. NO BILL OF MATERIAL EXISTS.
- VENDOR MAY REPLACE PIGTAILS WITH WIRING TO APPROVED MOLDINGS OR CONNECTORS. PIGTAILS SHOWN IN TERMINAL VIEW.
- HARNESS TO BE TESTED FOR CONTENT OPENS, SHORTS, AND CONTINUITY.
- CONNECTORS SHOWN FROM WIRE END UNLESS OTHERWISE NOTED.
- SPLICES TO BE AUTOMATED WITH SOLDER AND HEAT SHRINK TUBING.
- TAPE [1111096]: 6" AT BREAKOUTS AND 2" AT LOOM ENDS.
- HARNESS TO HAVE A LABEL SHOWING MORGAN NOLSON PART NUMBER, REVISION LEVEL AND DATE OF MANUFACTURE.
- SPLIT POLY LOOM UNLESS OTHERWISE NOTED.
- OXL WIRE.

NOTES:

PROPRIETARY

This drawing is the property of Morgan Olson. It is to be used only for the purpose intended. It is not to be reproduced, copied, or transmitted in any form or by any means, electronic, mechanical, or otherwise, without the prior written permission of Morgan Olson.

| | |
|--|---|
| MORGAN NOLSON | |
| GENERAL STANDARDS UNLESS OTHERWISE NOTED | |
| 1. DIMENSIONS IN INCHES UNLESS OTHERWISE NOTED | 2. DIMENSIONS IN MILLIMETERS UNLESS OTHERWISE NOTED |
| 3. DIMENSIONS IN FEET UNLESS OTHERWISE NOTED | 4. DIMENSIONS IN METERS UNLESS OTHERWISE NOTED |
| 5. DIMENSIONS IN METERS UNLESS OTHERWISE NOTED | 6. DIMENSIONS IN FEET UNLESS OTHERWISE NOTED |
| DATE | 27OCT09 |
| DESIGNER | TJM |
| DATE | 27OCT09 |
| DO NOT SCALE | |
| NAME | HARN FRT FRTO SPRINTER 2009 |
| DRAWING NO. | 097093208 |
| SHT | 1 OF 1 |
| SCALE | NONE |
| REV | |

HARNESS AND LOOM TOLERANCES

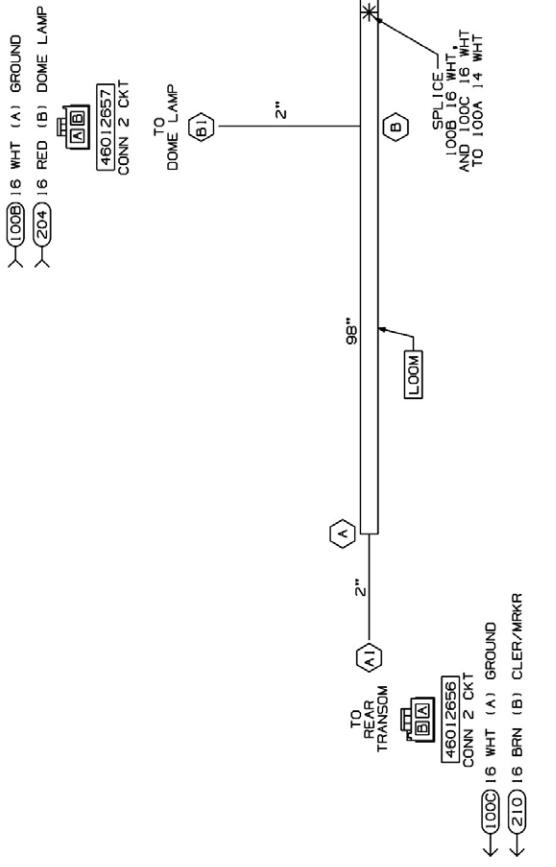
UP TO 60" : -0/+2"
 60" TO 100" : -0/+4"
 100" TO 200" : -0/+5"
 200" TO 400" : -0/+6"
 400" TO 600" : -0/+7"
 OVER 600" : -0/+8"

BO TO BO : -0/+2"
 TOLERANCE IS NOT ACCUMULATIVE. LENGTH APPLIES TO OVERALL HARNESS LENGTH. BREAKOUT TO END, OR LOOM.

FIRST USE:
JV000268

| | | |
|-------------|------------------------|--------|
| DRAWING NO. | REV | SHT |
| 097093211 | | 1 OF 1 |
| REV | DESCRIPTION | BY |
| | RELEASE FOR PRODUCTION | DATE |
| | | |
| | | |
| | | |
| | | |
| | | |

| CIRCUIT | GAUGE, COLOR | END POINTS | FUNCTION |
|---------|--------------|------------|-----------------------|
| 100A | 14 WHIT | C1, SPLICE | GROUND |
| 100B | 16 WHIT | B1, SPLICE | GROUND |
| 100C | 16 WHIT | A1, SPLICE | GROUND |
| 204 | 16 RED | B1, C1 | BATTERY DM LP (FUSED) |
| 210 | 16 BRN | A1, C1 | CLER/ICC/MARKER LAMPS |



- THIS IS A PURCHASED HARNESS. NO BILL OF MATERIAL EXISTS.
- VENDOR MAY REPLACE PIGTAILS WITH WIRING TO APPROVED MOLDINGS OR CONNECTORS. PIGTAILS SHOWN IN TERMINAL VIEW.
- HARNESS TO BE TESTED FOR CONTENT, OPENS, SHORTS, AND CONTINUITY.
- CONNECTORS SHOWN FROM THE REVERSE SIDE, UNLESS OTHERWISE NOTED.
- SPLICES TO BE AUTOMATED WITH SOLDER, AND ADHESIVE LINED HEAT SHRINK TUBING.
- TAPE [1111096]: 6" AT BREAKOUTS, 2" AT 18" TERMINALS. MINIMUM TAP LENGTH GREATER THAN 24", AND 2" AT LOOM ENDS.
- HARNESS TO HAVE A LABEL FOR IDENTIFICATION. SOLO PART NUMBER, REVISION LEVEL, AND DATE OF MANUFACTURE.
- SPLIT POLY LOOM UNLESS OTHERWISE NOTED.

NOTES:

- GXL WIRE.

PROPRIETARY

This drawing and the information and data contained hereon are the property of Morgan Olson. It is to be used only for the purpose for which it is intended. No part of this drawing or information is to be reproduced, stored in a retrieval system, or transmitted in any form or by any means, without the prior written consent of Morgan Olson.



| | |
|----------------------------------|----------------|
| REVISIONS UNLESS OTHERWISE NOTED | |
| 1. JAMES M. ... | DATE: 08/01/00 |
| 2. ... | DATE: 08/01/00 |
| 3. ... | DATE: 08/01/00 |
| 4. ... | DATE: 08/01/00 |
| 5. ... | DATE: 08/01/00 |
| 6. ... | DATE: 08/01/00 |
| 7. ... | DATE: 08/01/00 |
| 8. ... | DATE: 08/01/00 |
| 9. ... | DATE: 08/01/00 |
| 10. ... | DATE: 08/01/00 |
| 11. ... | DATE: 08/01/00 |
| 12. ... | DATE: 08/01/00 |
| 13. ... | DATE: 08/01/00 |
| 14. ... | DATE: 08/01/00 |
| 15. ... | DATE: 08/01/00 |
| 16. ... | DATE: 08/01/00 |
| 17. ... | DATE: 08/01/00 |
| 18. ... | DATE: 08/01/00 |
| 19. ... | DATE: 08/01/00 |
| 20. ... | DATE: 08/01/00 |
| 21. ... | DATE: 08/01/00 |
| 22. ... | DATE: 08/01/00 |
| 23. ... | DATE: 08/01/00 |
| 24. ... | DATE: 08/01/00 |
| 25. ... | DATE: 08/01/00 |
| 26. ... | DATE: 08/01/00 |
| 27. ... | DATE: 08/01/00 |
| 28. ... | DATE: 08/01/00 |
| 29. ... | DATE: 08/01/00 |
| 30. ... | DATE: 08/01/00 |
| 31. ... | DATE: 08/01/00 |
| 32. ... | DATE: 08/01/00 |
| 33. ... | DATE: 08/01/00 |
| 34. ... | DATE: 08/01/00 |
| 35. ... | DATE: 08/01/00 |
| 36. ... | DATE: 08/01/00 |
| 37. ... | DATE: 08/01/00 |
| 38. ... | DATE: 08/01/00 |
| 39. ... | DATE: 08/01/00 |
| 40. ... | DATE: 08/01/00 |
| 41. ... | DATE: 08/01/00 |
| 42. ... | DATE: 08/01/00 |
| 43. ... | DATE: 08/01/00 |
| 44. ... | DATE: 08/01/00 |
| 45. ... | DATE: 08/01/00 |
| 46. ... | DATE: 08/01/00 |
| 47. ... | DATE: 08/01/00 |
| 48. ... | DATE: 08/01/00 |
| 49. ... | DATE: 08/01/00 |
| 50. ... | DATE: 08/01/00 |
| 51. ... | DATE: 08/01/00 |
| 52. ... | DATE: 08/01/00 |
| 53. ... | DATE: 08/01/00 |
| 54. ... | DATE: 08/01/00 |
| 55. ... | DATE: 08/01/00 |
| 56. ... | DATE: 08/01/00 |
| 57. ... | DATE: 08/01/00 |
| 58. ... | DATE: 08/01/00 |
| 59. ... | DATE: 08/01/00 |
| 60. ... | DATE: 08/01/00 |
| 61. ... | DATE: 08/01/00 |
| 62. ... | DATE: 08/01/00 |
| 63. ... | DATE: 08/01/00 |
| 64. ... | DATE: 08/01/00 |
| 65. ... | DATE: 08/01/00 |
| 66. ... | DATE: 08/01/00 |
| 67. ... | DATE: 08/01/00 |
| 68. ... | DATE: 08/01/00 |
| 69. ... | DATE: 08/01/00 |
| 70. ... | DATE: 08/01/00 |
| 71. ... | DATE: 08/01/00 |
| 72. ... | DATE: 08/01/00 |
| 73. ... | DATE: 08/01/00 |
| 74. ... | DATE: 08/01/00 |
| 75. ... | DATE: 08/01/00 |
| 76. ... | DATE: 08/01/00 |
| 77. ... | DATE: 08/01/00 |
| 78. ... | DATE: 08/01/00 |
| 79. ... | DATE: 08/01/00 |
| 80. ... | DATE: 08/01/00 |
| 81. ... | DATE: 08/01/00 |
| 82. ... | DATE: 08/01/00 |
| 83. ... | DATE: 08/01/00 |
| 84. ... | DATE: 08/01/00 |
| 85. ... | DATE: 08/01/00 |
| 86. ... | DATE: 08/01/00 |
| 87. ... | DATE: 08/01/00 |
| 88. ... | DATE: 08/01/00 |
| 89. ... | DATE: 08/01/00 |
| 90. ... | DATE: 08/01/00 |
| 91. ... | DATE: 08/01/00 |
| 92. ... | DATE: 08/01/00 |
| 93. ... | DATE: 08/01/00 |
| 94. ... | DATE: 08/01/00 |
| 95. ... | DATE: 08/01/00 |
| 96. ... | DATE: 08/01/00 |
| 97. ... | DATE: 08/01/00 |
| 98. ... | DATE: 08/01/00 |
| 99. ... | DATE: 08/01/00 |
| 100. ... | DATE: 08/01/00 |
| 101. ... | DATE: 08/01/00 |
| 102. ... | DATE: 08/01/00 |
| 103. ... | DATE: 08/01/00 |
| 104. ... | DATE: 08/01/00 |
| 105. ... | DATE: 08/01/00 |
| 106. ... | DATE: 08/01/00 |
| 107. ... | DATE: 08/01/00 |
| 108. ... | DATE: 08/01/00 |
| 109. ... | DATE: 08/01/00 |
| 110. ... | DATE: 08/01/00 |
| 111. ... | DATE: 08/01/00 |
| 112. ... | DATE: 08/01/00 |
| 113. ... | DATE: 08/01/00 |
| 114. ... | DATE: 08/01/00 |
| 115. ... | DATE: 08/01/00 |
| 116. ... | DATE: 08/01/00 |
| 117. ... | DATE: 08/01/00 |
| 118. ... | DATE: 08/01/00 |
| 119. ... | DATE: 08/01/00 |
| 120. ... | DATE: 08/01/00 |
| 121. ... | DATE: 08/01/00 |
| 122. ... | DATE: 08/01/00 |
| 123. ... | DATE: 08/01/00 |
| 124. ... | DATE: 08/01/00 |
| 125. ... | DATE: 08/01/00 |
| 126. ... | DATE: 08/01/00 |
| 127. ... | DATE: 08/01/00 |
| 128. ... | DATE: 08/01/00 |
| 129. ... | DATE: 08/01/00 |
| 130. ... | DATE: 08/01/00 |
| 131. ... | DATE: 08/01/00 |
| 132. ... | DATE: 08/01/00 |
| 133. ... | DATE: 08/01/00 |
| 134. ... | DATE: 08/01/00 |
| 135. ... | DATE: 08/01/00 |
| 136. ... | DATE: 08/01/00 |
| 137. ... | DATE: 08/01/00 |
| 138. ... | DATE: 08/01/00 |
| 139. ... | DATE: 08/01/00 |
| 140. ... | DATE: 08/01/00 |
| 141. ... | DATE: 08/01/00 |
| 142. ... | DATE: 08/01/00 |
| 143. ... | DATE: 08/01/00 |
| 144. ... | DATE: 08/01/00 |
| 145. ... | DATE: 08/01/00 |
| 146. ... | DATE: 08/01/00 |
| 147. ... | DATE: 08/01/00 |
| 148. ... | DATE: 08/01/00 |
| 149. ... | DATE: 08/01/00 |
| 150. ... | DATE: 08/01/00 |
| 151. ... | DATE: 08/01/00 |
| 152. ... | DATE: 08/01/00 |
| 153. ... | DATE: 08/01/00 |
| 154. ... | DATE: 08/01/00 |
| 155. ... | DATE: 08/01/00 |
| 156. ... | DATE: 08/01/00 |
| 157. ... | DATE: 08/01/00 |
| 158. ... | DATE: 08/01/00 |
| 159. ... | DATE: 08/01/00 |
| 160. ... | DATE: 08/01/00 |
| 161. ... | DATE: 08/01/00 |
| 162. ... | DATE: 08/01/00 |
| 163. ... | DATE: 08/01/00 |
| 164. ... | DATE: 08/01/00 |
| 165. ... | DATE: 08/01/00 |
| 166. ... | DATE: 08/01/00 |
| 167. ... | DATE: 08/01/00 |
| 168. ... | DATE: 08/01/00 |
| 169. ... | DATE: 08/01/00 |
| 170. ... | DATE: 08/01/00 |
| 171. ... | DATE: 08/01/00 |
| 172. ... | DATE: 08/01/00 |
| 173. ... | DATE: 08/01/00 |
| 174. ... | DATE: 08/01/00 |
| 175. ... | DATE: 08/01/00 |
| 176. ... | DATE: 08/01/00 |
| 177. ... | DATE: 08/01/00 |
| 178. ... | DATE: 08/01/00 |
| 179. ... | DATE: 08/01/00 |
| 180. ... | DATE: 08/01/00 |
| 181. ... | DATE: 08/01/00 |
| 182. ... | DATE: 08/01/00 |
| 183. ... | DATE: 08/01/00 |
| 184. ... | DATE: 08/01/00 |
| 185. ... | DATE: 08/01/00 |
| 186. ... | DATE: 08/01/00 |
| 187. ... | DATE: 08/01/00 |
| 188. ... | DATE: 08/01/00 |
| 189. ... | DATE: 08/01/00 |
| 190. ... | DATE: 08/01/00 |
| 191. ... | DATE: 08/01/00 |
| 192. ... | DATE: 08/01/00 |
| 193. ... | DATE: 08/01/00 |
| 194. ... | DATE: 08/01/00 |
| 195. ... | DATE: 08/01/00 |
| 196. ... | DATE: 08/01/00 |
| 197. ... | DATE: 08/01/00 |
| 198. ... | DATE: 08/01/00 |
| 199. ... | DATE: 08/01/00 |
| 200. ... | DATE: 08/01/00 |
| 201. ... | DATE: 08/01/00 |
| 202. ... | DATE: 08/01/00 |
| 203. ... | DATE: 08/01/00 |
| 204. ... | DATE: 08/01/00 |
| 205. ... | DATE: 08/01/00 |
| 206. ... | DATE: 08/01/00 |
| 207. ... | DATE: 08/01/00 |
| 208. ... | DATE: 08/01/00 |
| 209. ... | DATE: 08/01/00 |
| 210. ... | DATE: 08/01/00 |
| 211. ... | DATE: 08/01/00 |
| 212. ... | DATE: 08/01/00 |
| 213. ... | DATE: 08/01/00 |
| 214. ... | DATE: 08/01/00 |
| 215. ... | DATE: 08/01/00 |
| 216. ... | DATE: 08/01/00 |
| 217. ... | DATE: 08/01/00 |
| 218. ... | DATE: 08/01/00 |
| 219. ... | DATE: 08/01/00 |
| 220. ... | DATE: 08/01/00 |
| 221. ... | DATE: 08/01/00 |
| 222. ... | DATE: 08/01/00 |
| 223. ... | DATE: 08/01/00 |
| 224. ... | DATE: 08/01/00 |
| 225. ... | DATE: 08/01/00 |
| 226. ... | DATE: 08/01/00 |
| 227. ... | DATE: 08/01/00 |
| 228. ... | DATE: 08/01/00 |
| 229. ... | DATE: 08/01/00 |
| 230. ... | DATE: 08/01/00 |
| 231. ... | DATE: 08/01/00 |
| 232. ... | DATE: 08/01/00 |
| 233. ... | DATE: 08/01/00 |
| 234. ... | DATE: 08/01/00 |
| 235. ... | DATE: 08/01/00 |
| 236. ... | DATE: 08/01/00 |
| 237. ... | DATE: 08/01/00 |
| 238. ... | DATE: 08/01/00 |
| 239. ... | DATE: 08/01/00 |
| 240. ... | DATE: 08/01/00 |
| 241. ... | DATE: 08/01/00 |
| 242. ... | DATE: 08/01/00 |
| 243. ... | DATE: 08/01/00 |
| 244. ... | DATE: 08/01/00 |
| 245. ... | DATE: 08/01/00 |
| 246. ... | DATE: 08/01/00 |
| 247. ... | DATE: 08/01/00 |
| 248. ... | DATE: 08/01/00 |
| 249. ... | DATE: 08/01/00 |
| 250. ... | DATE: 08/01/00 |
| 251. ... | DATE: 08/01/00 |
| 252. ... | DATE: 08/01/00 |
| 253. ... | DATE: 08/01/00 |
| 254. ... | DATE: 08/01/00 |
| 255. ... | DATE: 08/01/00 |
| 256. ... | DATE: 08/01/00 |
| 257. ... | DATE: 08/01/00 |
| 258. ... | DATE: 08/01/00 |
| 259. ... | DATE: 08/01/00 |
| 260. ... | DATE: 08/01/00 |
| 261. ... | DATE: 08/01/00 |
| 262. ... | DATE: 08/01/00 |
| 263. ... | DATE: 08/01/00 |
| 264. ... | DATE: 08/01/00 |
| 265. ... | DATE: 08/01/00 |
| 266. ... | DATE: 08/01/00 |
| 267. ... | DATE: 08/01/00 |
| 268. ... | DATE: 08/01/00 |
| 269. ... | DATE: 08/01/00 |
| 270. ... | DATE: 08/01/00 |
| 271. ... | DATE: 08/01/00 |
| 272. ... | DATE: 08/01/00 |
| 273. ... | DATE: 08/01/00 |
| 274. ... | DATE: 08/01/00 |
| 275. ... | DATE: 08/01/00 |
| 276. ... | DATE: 08/01/00 |
| 277. ... | DATE: 08/01/00 |
| 278. ... | DATE: 08/01/00 |
| 279. ... | DATE: 08/01/00 |
| 280. ... | DATE: 08/01/00 |
| 281. ... | DATE: 08/01/00 |
| 282. ... | DATE: 08/01/00 |
| 283. ... | DATE: 08/01/00 |
| 284. ... | DATE: 08/01/00 |
| 285. ... | DATE: 08/01/00 |
| 286. ... | DATE: 08/01/00 |
| 287. ... | DATE: 08/01/00 |
| 288. ... | DATE: 08/01/00 |
| 289. ... | DATE: 08/01/00 |
| 290. ... | DATE: 08/01/00 |
| 291. ... | DATE: 08/01/00 |
| 292. ... | DATE: 08/01/00 |
| 293. ... | DATE: 08/01/00 |
| 294. ... | DATE: 08/01/00 |
| 295. ... | DATE: 08/01/00 |
| 296. ... | DATE: 08/01/00 |
| 297. ... | DATE: 08/01/00 |
| 298. ... | DATE: 08/01/00 |
| 299. ... | DATE: 08/01/00 |
| 300. ... | DATE: 08/01/00 |
| 301. ... | DATE: 08/01/00 |
| 302. ... | DATE: 08/01/00 |
| 303. ... | DATE: 08/01/00 |
| 304. ... | DATE: 08/01/00 |
| 305. ... | DATE: 08/01/00 |
| 306. ... | DATE: 08/01/00 |
| 307. ... | DATE: 08/01/00 |
| 308. ... | DATE: 08/01/00 |
| 309. ... | |