

FedEx[®] Express

2018-19 MORGAN OLSON BODY
2018-19 FORD F-250 CHASSIS



Federal Express



1-800-233-4823
WWW.MORGANOLSON.COM



INTRODUCTION	3
FRONT	4
SIDES	5
SIDE CARGO DOOR	6
FLOOR	7
ROOF	8
BACK	9
REAR DOORS	10
SHELVES	11
BUMPER	12
ELECTRICAL	13
MISCELLANEOUS	14
WIRING DIAGRAMS	15-19

This parts catalog applies to Morgan Olson Package Delivery Vehicle
FORD F-250 4x4 Cargo Body 2018-2019 - JV002199

How to order parts from Morgan Olson.

The first step is to identify the part numbers you would like to order.

Method 1 (Recommended)

Go to our parts web site, WWW.MORGANOLSONPARTS.COM and search your vehicle VIN number to get a list of parts generated directly from your vehicles Bill of Material.

You may filter the list of items further by selecting the category for the location of the parts. IE. Bumper, Hood, Glass, Rear Door, etc.

You may also change the search drop down menu to search by part number, description, unit number or VMRS number.

Method 2

Use this parts catalog to identify your part numbers.

Then go to WWW.MORGANOLSONPARTS.COM , search the part number(s) and add the items to your shopping cart.

Method 3

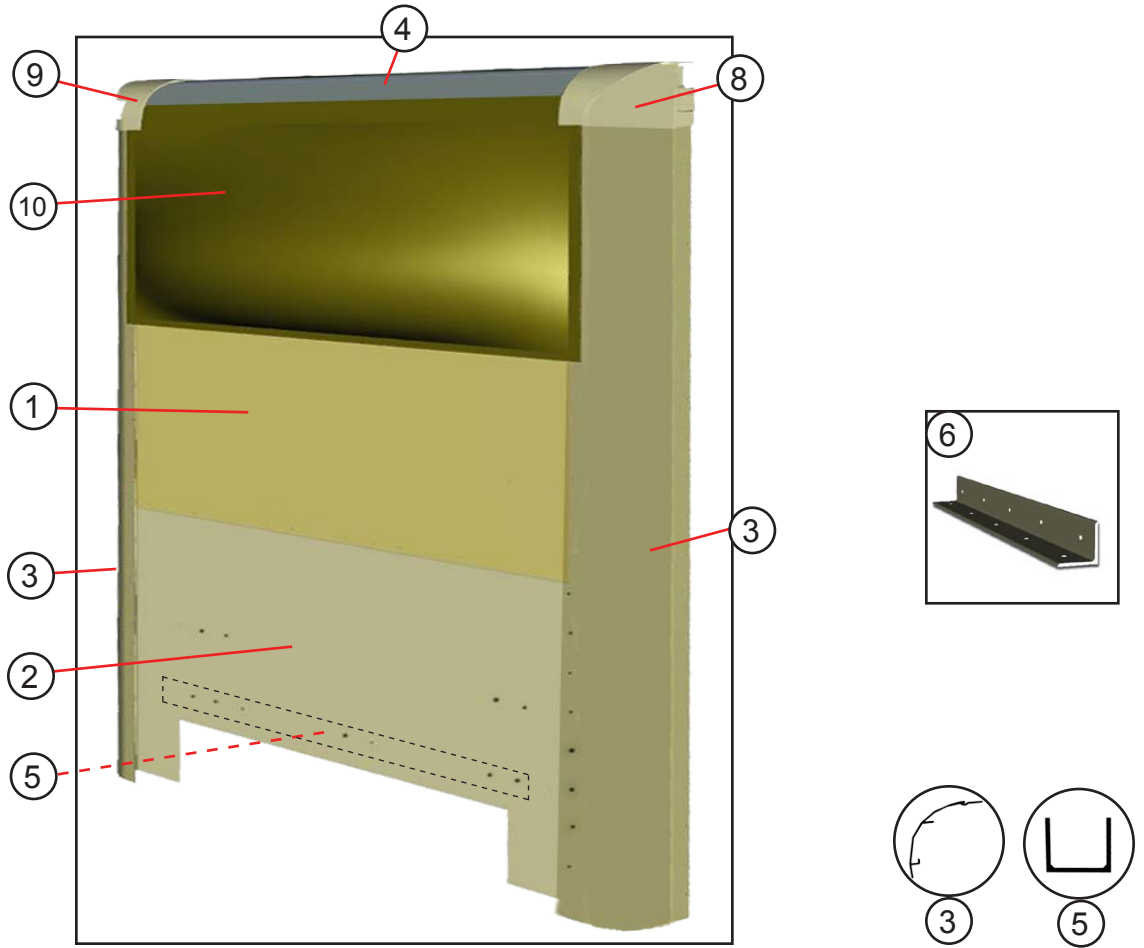
Call our Parts Department at 1-800-233-4823.

Please have your VIN number available and one of our customer service representatives will be able to help you identify the parts you need.

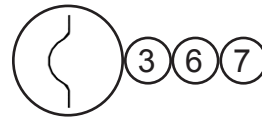
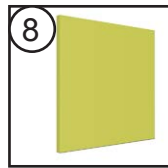
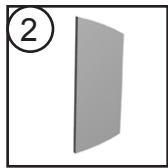
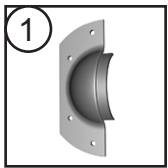
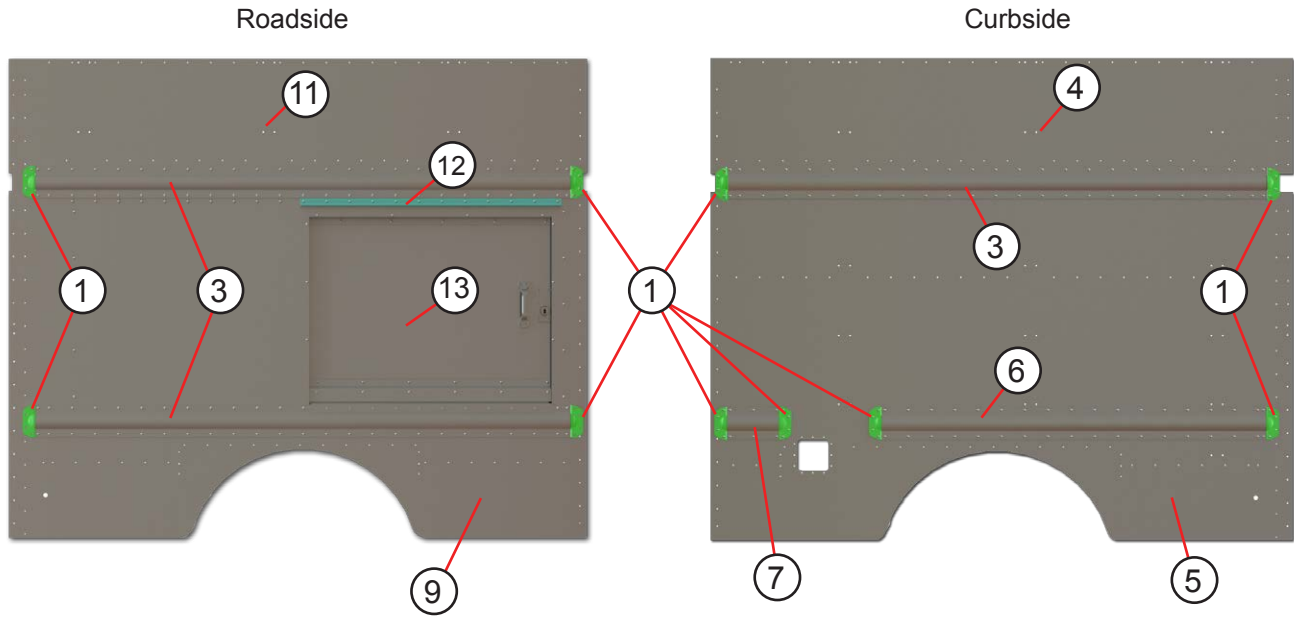
*If you already know the part numbers of the items you want to order, use our Quick Order page to enter your part numbers and quantities, then click add to cart.
[HTTPS://WWW.MORGANOLSONPARTS.COM/QUICK-ORDER](https://www.morganolsonparts.com/quick-order)

Note* Orientation is from the rear of the vehicle looking forward.
Roadside = Left Hand LH
Curbside = Right Hand RH

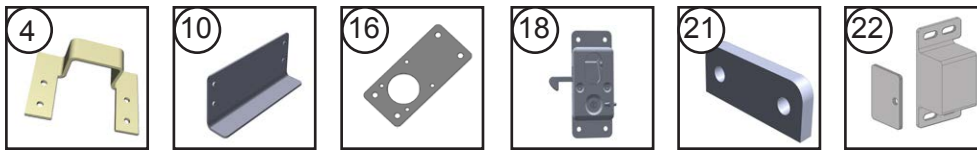
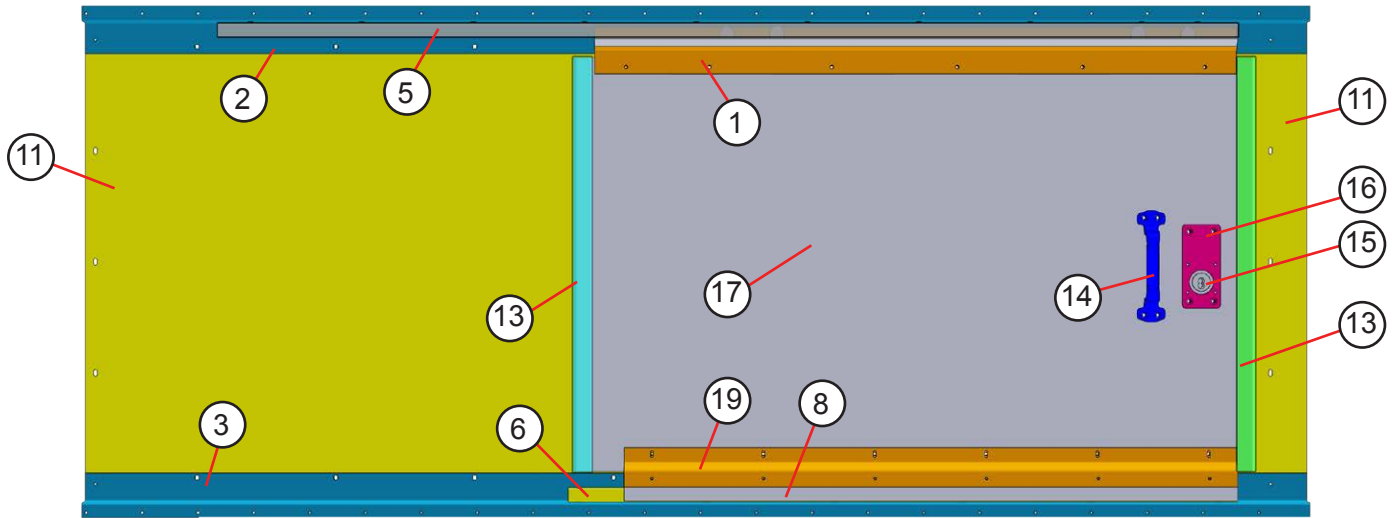
For warranty information, please call 1-800-262-3437



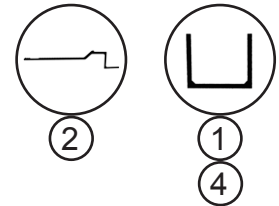
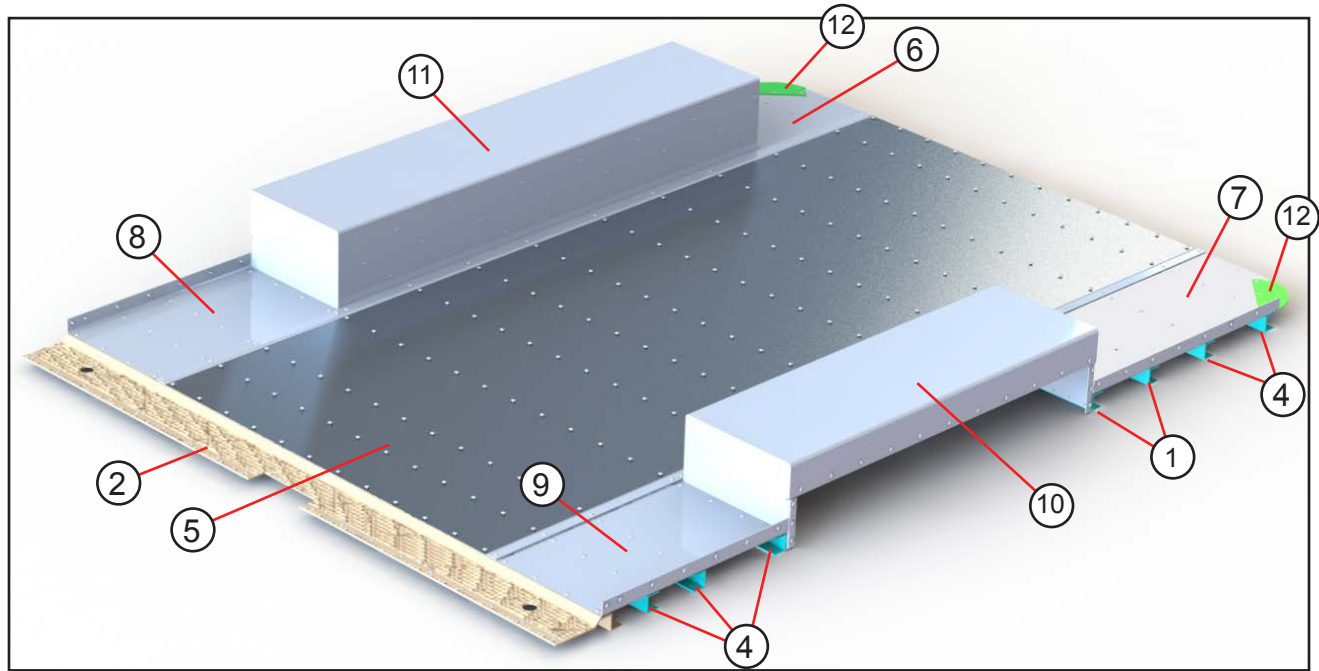
ITEM #	PART #	DESCRIPTION	QTY.	UNIT
1	176050410	PANEL FRONT UPPER AL .102X46X65	1	EA
2	176050419	PANEL FRONT LOWER AL .188X34.01X65	1	EA
3	176050411	POST CORNER FRONT AL 450284X80.63	2	EA
4	176050412	NOSE ROOF AL 450526X61.75	1	EA
5	177030415	SILL FRONT AL 450339X65	1	EA
6	087105516	ANGLE BULKHEAD AL 450180X18.5	4	EA
7	177105405	ANGLE SHELF FRONT AL .07X2.8X27.19	1	EA
8	45100113	CORNER CASTING FRONT ROADSIDE	1	EA
9	45100114	CORNER CASTING FRONT CURBSIDE	1	EA
10	176121401	NOSE CONE FIBERGLASS	1	EA



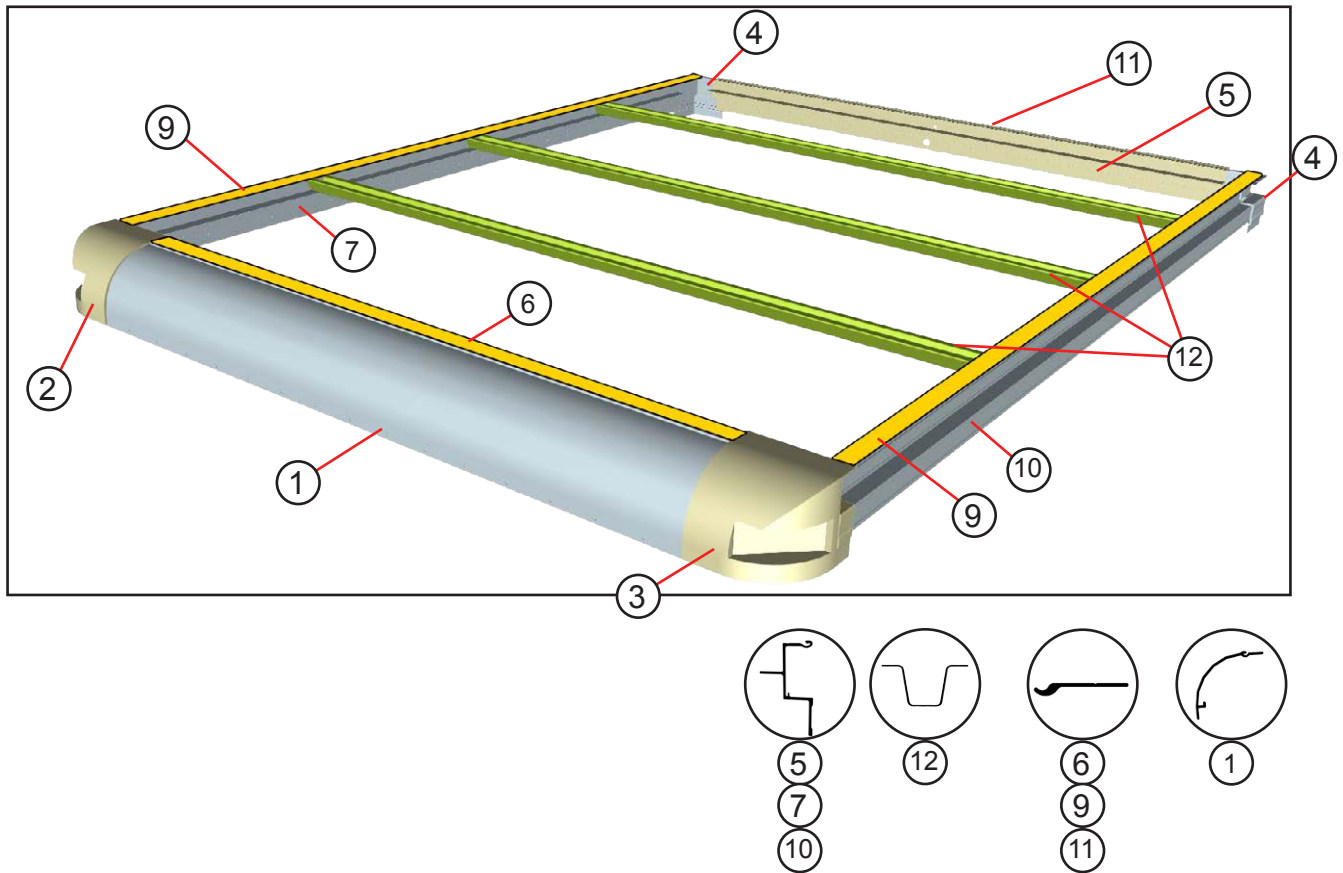
ITEM #	PART #	DESCRIPTION	QTY.	UNIT
1	45100097	CAP RUB/RAIL LOWER CASTING	10	EA
2	093039400	SHIM END CAP AL .125X.94X5.07	2	EA
3	177039400	RUB RAIL SIDE AL 450337X92.56	3	EA
4	177046400	PANEL SIDE UPPER AL .102X19.94X100.13 LH	1	EA
5	177046402	PANEL SIDE LOWER AL .102X60X100.13 LH	1	EA
6	187046400	RUB RAIL AFT OF FUEL FILL AL 450337X66	1	EA
7	177046404	RUB RAIL FORWARD AL 450337X9	1	EA
8	7600165	PLATE FILLER RUB RAIL	2	EA
9	177045401	PANEL SIDE LOWER AL .102X60X100.13 RH	1	EA
10	107040400	TRIM OUTER DOOR EDGE AL .07X2.04X41.75	1	EA
11	177046400	PANEL SIDE UPPER AL .102X19.94X100.13	1	EA
12	136040400	RAIL DRIP AL 450006X45.12	1	EA
13	176040200	SLIDING DOOR ASSEMBLY	1	EA



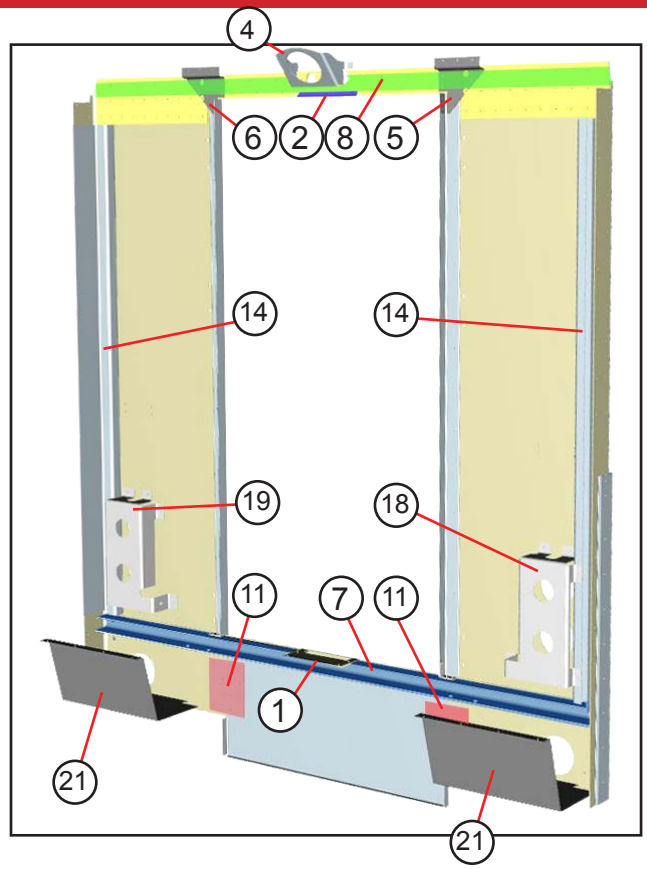
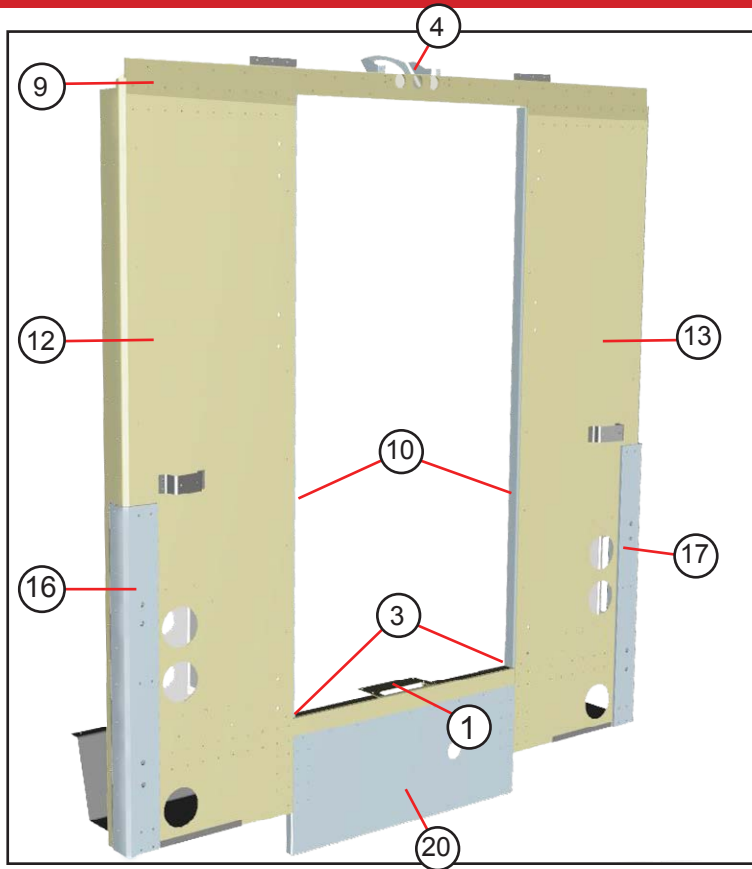
ITEM	PART #	DESCRIPTION	QTY.	UNIT
1	96760204	HANGER ASSEMBLY (PLATE, SEAL BRUSH, ROLLERS)	1	EA
2	107060402	ZEE UPPER AL .102X4.95X88	1	EA
3	107060403	ZEE LOWER AL .102X4.71X88	1	EA
4	000240408	LATCH STRIKER GALV 12GAX2.25X5.32	1	EA
5	96741202	TRACK ASSEMBLY	1	EA
6	107060404	NYLON GUIDE MID 1X48	1	EA
7	000240413	DOOR POST END VERTICAL AL 450011X34.18	2	EA
8	107060407	GUIDE DOOR LOWER AL 450501X44	1	EA
NS	137060400	PLATE BACKING AL .125X2X44	1	EA
10	156060400	SHIM DOOR HANDLE	1	EA
11	107060401	PANEL COVER SLIDING DOOR	1	EA
NS	107040400	TRIM EDGE SLIDING DOOR AL .07X2.04X41.75	1	EA
13	087060408	EDGE CAP DOOR ALE 450179X29.75	2	EA
14	47006046	GRAB HANDLE CHROME	1	EA
15	47106625	CYLINDER BEST LOCK	1	EA
16	176040400	SHIM BEST LOCK	1	EA
17	107060400	PANEL DOOR	1	EA
18	1113457	LATCH GATE	1	EA
19	107060408	ZEE LOWER DOOR GUIDE AL.125X2.99X44	1	EA
20	136040400	DRIP RAIL AL 450006X45.12	1	EA
21	96770313	SPACER LATCH GATE	4	EA
22	47001080	CATCH MAGNETIC	1	EA
NS	137060401	PLATE AL .125X1.35X46	1	EA
NS	076351	SEAL RUBBER	4	FT
NS	47001476	SEAL BRUSH TYPE 1.5"	1	EA
NS	47106596	SEAL BRUSH TYPE 1.0" X91"	1	EA



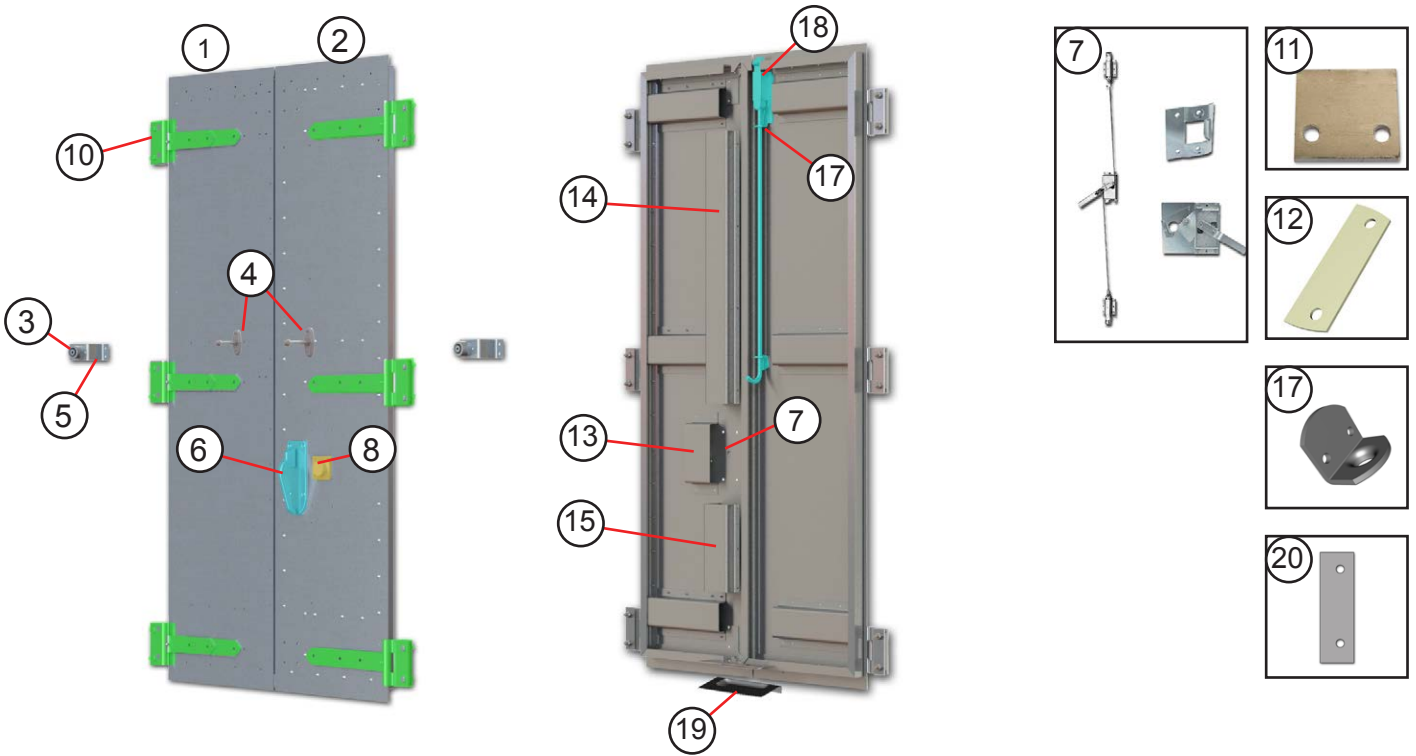
ITEM #	PART #	DESCRIPTION	QTY.	UNIT
1	177030407	CHANNEL CAR TIE DOWN AL 450011X61.78	2	EA
2	177030408	DROP SILL AL 450592X75.28	1	EA
NS	177030405	CHANNEL CAR TIE DOWN @ W/BX AL 450011X48.5	4	EA
4	177030406	CHANNEL CAR TIE DOWN AL 450011X75.05	5	EA
5	177030420	FLOOR CENTER ALD .125X48.03X99.38	1	EA
6	177030418	FLOOR FORWARD AL .102X16.02X16.38 LH	1	EA
7	177030419	FLOOR FORWARD AL .102X16.02X33.38 RH	1	EA
8	177030403	FLOOR REAR AL .102X16.02X23.5 LH	1	EA
9	177030404	FLOOR REAR AL .102X16.02X23.5 RH	1	EA
10	177030201	WHEEL BOX WELDMENT RH P32	1	EA
11	177030202	WHEEL BOX WELDMENT LH P31	1	EA
12	087030415	PANEL FILLER CORNER AL .102X3.37X6.97	2	EA



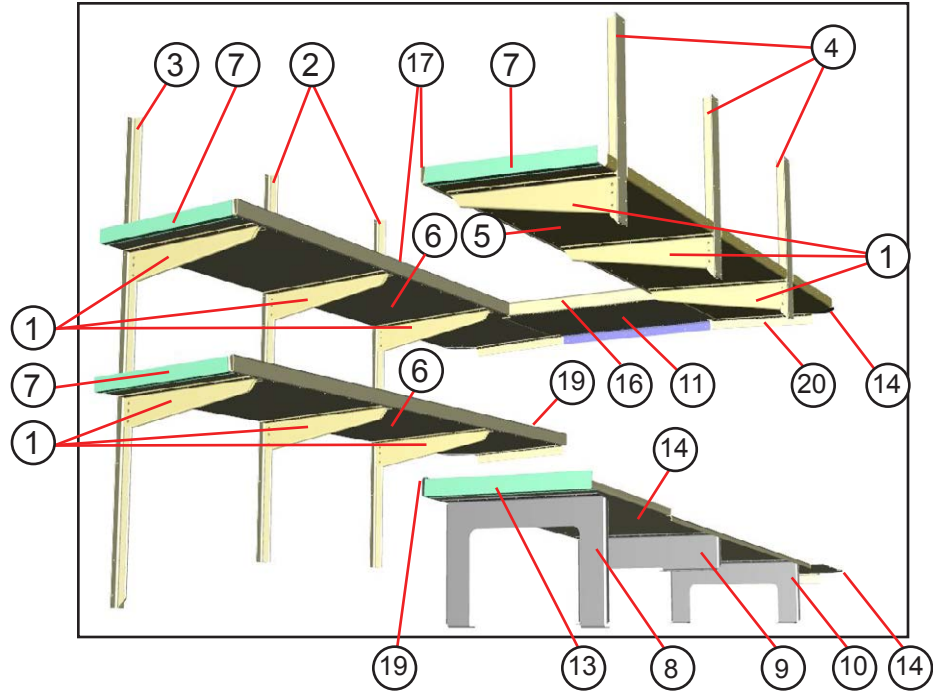
ITEM #	PART #	DESCRIPTION	QTY.	UNIT
1	176050412	NOSE ROOF AL 450526X61.75	1	EA
2	45100114	CORNER CASTING ROOF FRONT RH	1	EA
3	45100113	CORNER CASTING ROOF FRONT LH	1	EA
4	45100043	CORNER AL CASTING FRAME REAR	2	EA
5	196010400	TRANSOM REAR AL 450285X68.08	1	EA
6	176010403	ROOF INTERLOCK AL 450140X61.5 NOSE	1	EA
7	176010401	RAIL ROOF AL 450285X96.42 RH	1	EA
NS	176010407	SKIN FIBERGLASS ROOF 452008X100	1	EA
9	176010402	ROOF INTERLOCK AL 450140X99.59 L/R	2	EA
10	176010400	RAIL ROOF AL 450285X96.42 LH	1	EA
11	176010404	ROOF INTERLOCK AL 450140X72 @ TRANSOM	1	EA
12	176010405	ROOF BOW STEEL 18GA GALV X72.75	3	EA



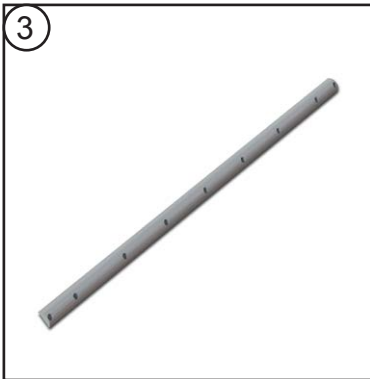
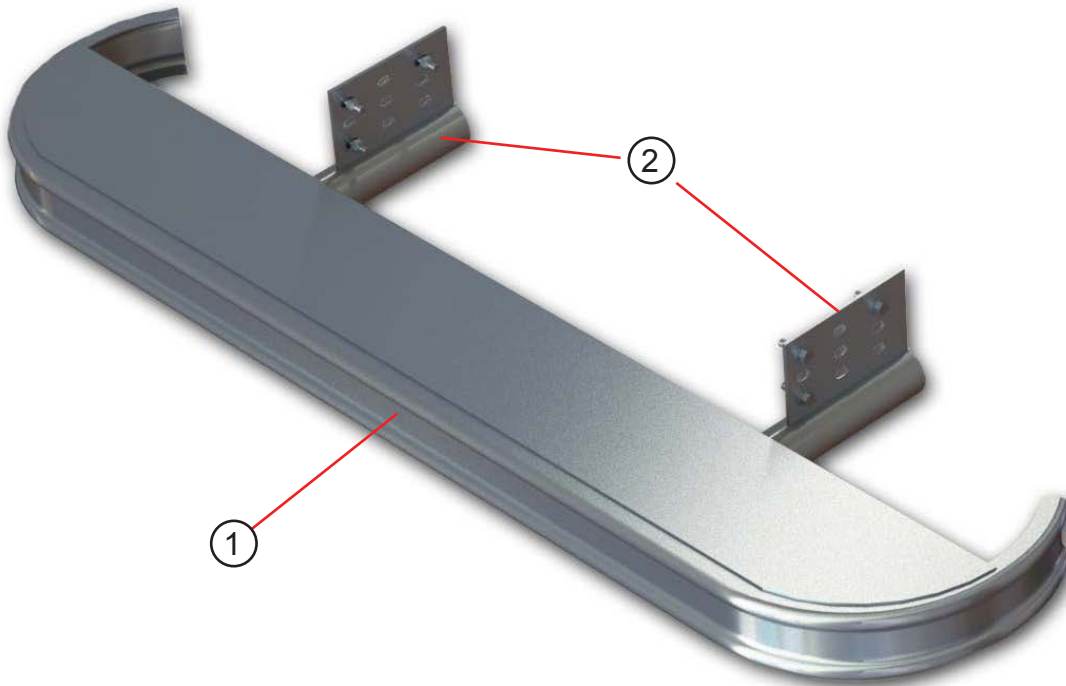
ITEM #	PART #	DESCRIPTION	QTY.	UNIT
1	004051401	PLATE STRIKER DOOR LOWER 11GA SS X 4.52X9	1	EA
2	45100106	STRIKER BRONZE	1	EA
3	90650307	ANGLE CLIP AL 450196X.88	2	EA
4	136050404	BRACKET DOME LAMP AL .102X6.46X14.66	1	EA
5	90650304	GUSSET UPPER AL .125X5.12X6.59 LH	1	EA
6	90650305	GUSSET UPPER AL .125X5.12X6.59 RH	1	EA
7	176050402	SILL REAR AL 450339X74.75	1	EA
8	196050400	ANGLE HEADER BACK AL 450197X74.5	1	EA
9	196050401	HEADER TRANSOM AL .25X5.81X74.75	1	EA
10	176050405	POST HINGE AL 450011X69	2	EA
11	176050415	PLATE DOUBLER AL .102X3.88X7	2	EA
12	176050420	PANEL BACK AL .102X24.24X83 LH	1	EA
13	176050421	PANEL BACK AL .102X24.24X83 RH	1	EA
14	176050408	REINFORCEMENT BUMPER AL .125X10.06X64.75	2	EA
NS	196050402	SHIM TRANSOM AL.102X1.69X34.63	1	EA
16	176050422	ANGLE REINFORCEMENT OUTTER AL 450176X37.69 LH	1	EA
17	176050423	ANGLE REINFORCEMENT OUTTER AL 450176X37.69 RH	1	EA
18	087050438	GUARD LAMP AL .102X14.89X18.45 LH	1	EA
19	087050439	GUARD LAMP AL .102X14.89X18.45 RH	1	EA
20	176050424	KICK PLATE BACK ALD .08X16.42X36.71	1	EA
21	146026400	GUARD LAMP	2	EA



ITEM	PART #	DESCRIPTION	QTY.	UNIT
1	127054200	DOOR ASSEMBLY ROADSIDE	1	EA
2	127054201	DOOR ASSEMBLY CURBSIDE	1	EA
3	1113037	DOOR HOLDER	2	EA
4	1113437	DOOR HOLDER PLUNGER 3.12 OA	2	EA
5	96751316	BRACKER DOOR HOLDER	2	EA
6	47000532	HANDLE DOOR CHROME	1	EA
7	47000910	LATCH KIT	1	EA
8	47000914	CYL. LOCK ASSEMBLY W/O CORE (LOCK CORE KIT 47000735)	1	EA
NS	1107047	DOOR SEAL	14.84	FT
10	47007900	HINGE STRAP W/ZERK	6	EA
11	96751318	SHIM HINGE	6	EA
12	7400126	SHIM GUIDE	1	EA
13	96751317	COVER LATCH	1	EA
14	93048312	COVER LOCK CABLE UPPER	1	EA
15	93048313	COVER LOCK CABLE LOWER	1	EA
NS	1107047	SEAL SPONGE DOOR	9.9	FT
17	1112011	GUIDE FOR ROD	2	EA
18	1113021	LATCH FINGER PULL	1	EA
19	7500036	DUST PAN	1	EA
20	157054400	PLATE BACKING FOR HINGE	6	EA



ITEM #	PART #	DESCRIPTION	QTY.	UNIT
1	82782300	BRACKET SHELF AL .125X11.35X23.87	9	EA
2	177105401	STANCHION T-STUD AL 459919X60	2	EA
3	177105400	STANCHION T-STUD AL 459919X68.75	1	EA
4	177105402	STANCHION T-STUD AL 459919X24.13	3	EA
5	107105405	PANEL SHELF AL .07X25.4X98.12 RH	1	EA
6	087105508	PANEL SHELF AL .07X25.4X98.12 LH	2	EA
7	96781306	ANGLE REAR AL 450188X23.5	3	EA
8	107105401	SUPPORT SHELF AL .102X17.07X22.72	1	EA
9	107105402	SUPPORT SHELF AL .102X14.35X22.72	1	EA
10	107105403	SUPPORT SHELF AL .102X11.84X22.72	1	EA
11	177105403	SHELF FRONT CENTER AL .07X22X30.75	1	EA
12	1106157	PLUG BRACKET SHELF PLASTIC	9	EA
13	087105517	ANGLE REAR ALE 450188X22.25	1	EA
14	177105409	SHELF LOWER AL .102X23.9X97.75	1	EA
15	087030415	PANEL FILLER CORNER AL .102X3.37X6.97	4	EA
16	177105404	LIP SHLF AL 450589X25.88	1	EA
17	087105518	LIP SHLF ALE 450589X98.12	2	EA
18	087105520	LIP SHLF ALE 450589X97.76	1	EA
19	127105401	LIP SHLF AL 450589X98.12	1	EA
20	087105516	ANGLE BULKHEAD AL 450180X18.5	2	EA

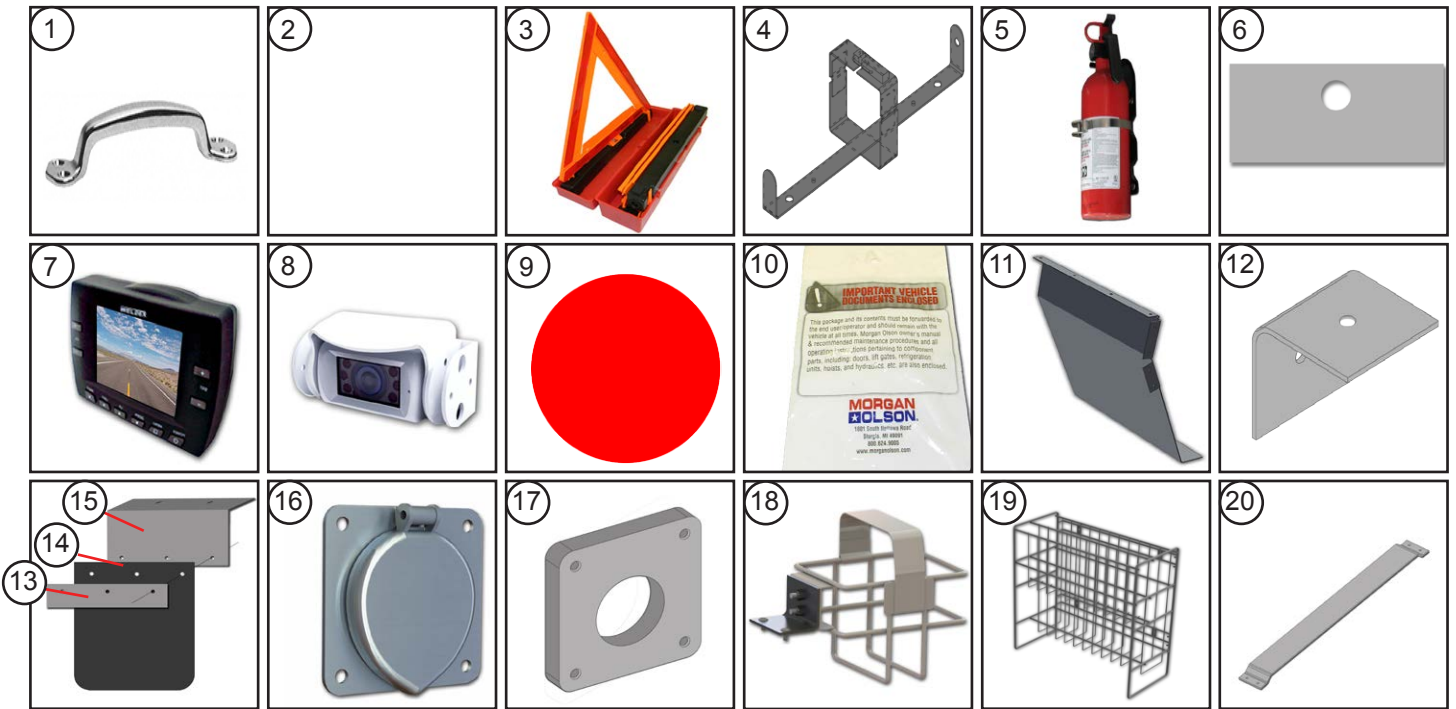


ITEM #	PART #	DESCRIPTION	QTY.	UNIT
1	003757204	BUMPER WELDMENT REAR	1	EA
2	003057200	MOUNTING BUMPER SHOCK	2	EA
3	083102404	PROTECTIVE BUMPER RUBBER 1107307X60	1	EA

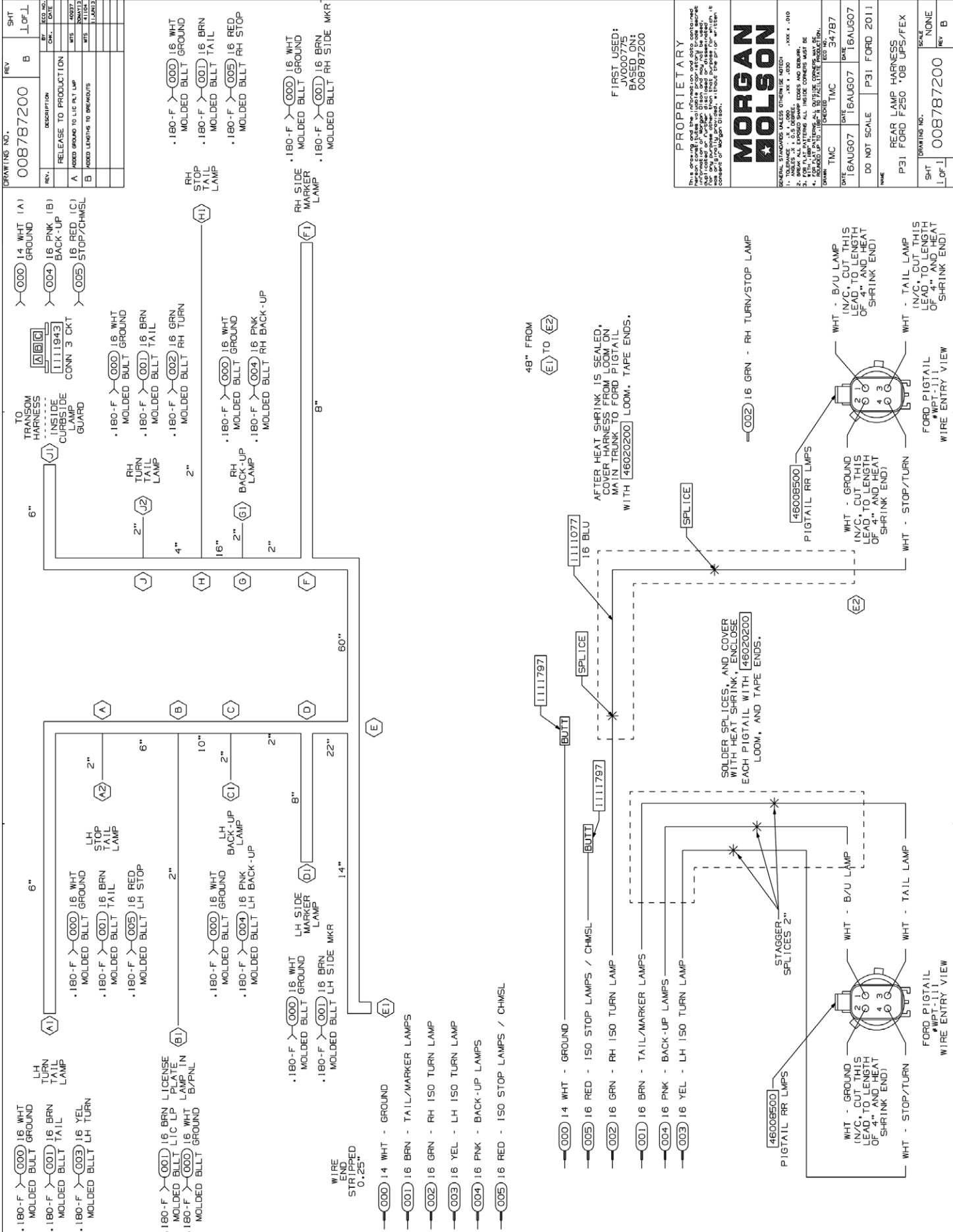


ITEM #	PART #	DESCRIPTION	QTY.	UNIT
1	45200253	PLACARD DOME LAMPS	2	EA
2	46002637	DOME LAMP RECESSED LED	1	EA
3	136050404	BRACKET DOME LAMP	1	EA
4	46002259	LAMP SIGNAL/TURN/TAIL RED	4	EA
5	46001438	LAMP BACK UP LED	2	EA
6	46001341	LAMP CLEARANCE MARKER LED	2	EA
7	46001342	GROMMET CLEARANCE MARKER LAMP	2	EA
8	1107109	GROMMET	1	EA
9	46001904	LAMP STOP CHMSL	1	EA
10	46002430	LAMP LICENSE PLATE	1	EA
11	147052403	BRACKET LICENSE PLATE LAMP	1	EA
12			1	EA
13				
14				
15				
16				
17				
18				

PAGE #	PART #	DESCRIPTION	QTY.	UNIT
15	008787200	HARNESS REAR	1	EA
16	127091201	HARNESS TRANSOM	1	EA
17	127092201	HARNESS CHASSIS	1	EA
18	187084202	HARNESS CAB	1	EA
NS	48200032	CABLE CAMERA TO MONITOR	1	EA



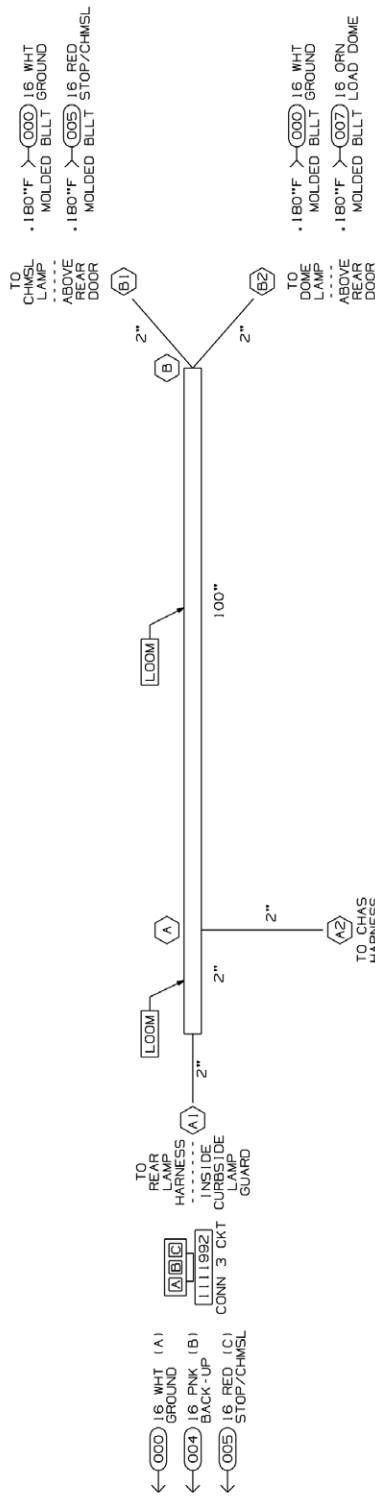
ITEM #	PART #	DESCRIPTION	QTY.	UNIT
1	47006046	GRAB HANDLE 10" - CAB INTERIOR LH	1	EA
NS	47009240	POUCH DRIVER INFO (REGISTRATION INFO 47009241)	1	EA
3	47009547	REFLECTOR KIT - TRIANGLES	1	EA
4	47009548	REFLECTOR MOUNTING BRACKET	1	EA
5	47009235	FIRE EXTINGUISHER	1	EA
6	78331095	TIE DOWN PLATE (FLOOR)	1	EA
7	48200203	MONITOR	1	EA
8	48200202	CAMERA (CAMERA GUARD 136092400)	1	EA
9	46025017	REFLECTOR SPITFIRE 2.88DIA	10	EA
10	43004362	BAG PLASTIC DOCUMENT HOLDER	1	EA
11	176012400	SPLASH PAN FUEL FILL AL .07X13.78X18.4	1	EA
12	82312025	SPLASH PAN SUPPORT	1	EA
13	176077403	MUD FLAPS RETAINER	2	EA
14	196077400	MUD FLAPS BLACK 15X20	2	EA
15	196077400	ANGLE MUD FLAP MOUNTING RH	1	EA
15	196077401	ANGLE MUD FLAP MOUNTING LH	1	EA
16	136060400	RECEPTACLE WEATHER PROOF	1	EA
17	136060403	SPACER RING AL .25X2.6X2.6	1	EA
18	47009598	BASKET PRINTER (BRACKET 197127400)	1	EA
19	47009599	BASKET ORGANIZER	1	EA
20	121765400	BRACKET HAND CART	1	EA
NS	48000500	STRAP HAND CART	1	EA
NS	47009199	HAZMAT POUCH	1	EA
NS	44000099	MUD FLAP SPECIAL KIT - FRONT	1	EA



DRAWING NO.	REV	SHT
127091201	A	1 OF 1
REV.	DESCRIPTION	BY
	RELEASE FOR PRODUCTION	
A	BLACK WAS BROWN	DFW
		DFW

CIRCUIT	DESCRIPTION	END POINTS	FUNCTION
000	16 WHIT GROUND	A1, A2, B1, B2	GROUND
004	16 PINK BACK-UP	A1, A2	BACK-UP
005	16 RED STOP/CHMSL	A1, B1	STOP/CHMSL
007	16 ORN LOAD DOME	A2, B2	LOAD DOME

ENGINEERING NOTE:
BLACK LEAD ON CHMSL LAMP IS NOT TO BE USED. USE OF BLACK LEAD WILL ADVERSELY AFFECT FMVSS COMPLIANCE FOR CHMSL.



- VENDOR TO GREASE FEMALE BULLET TERMINALS.
- THIS IS A PURCHASED HARNESS. NO BILL OF MATERIAL EXISTS.
- VENDOR MAY REPLACE PIGTAILS WITH WIRING TO APPROVED MOLDINGS OR CONNECTORS. PIGTAILS SHOWN IN TERMINAL VIEW.
- HARNESS TO BE TESTED FOR CONTENT, OPENES, SHORTS, AND CONTINUITY.
- CONNECTORS SHOWN FROM WIRE ENTRY SIDE, UNLESS OTHERWISE NOTED.
- SPLICES TO BE AUTOMATED WITH SOLDER AND RESISTIVE LINED HEAT-SHRINK TUBING.
- TAPE [1111096]: 6" AT BREAKOUTS, 2" AT 18" INTERVALS FOR UNINTERRUPTED LOOM LENGTHS GREATER THAN 24", AND 2" AT LOOM ENDS.
- HARNESS TO HAVE A LABEL SHOWING MORGAN OLSON PART NUMBER, REVISION LEVEL, AND DATE OF MANUFACTURE.
- SPLIT POLY LOOM UNLESS OTHERWISE NOTED.
- OXL WIRE.

NOTES:
1. OXL WIRE.
2. SPLIT POLY LOOM UNLESS OTHERWISE NOTED.
3. HARNESS TO HAVE A LABEL SHOWING MORGAN OLSON PART NUMBER, REVISION LEVEL, AND DATE OF MANUFACTURE.
4. SPLICES TO BE AUTOMATED WITH SOLDER AND RESISTIVE LINED HEAT-SHRINK TUBING.
5. CONNECTORS SHOWN FROM WIRE ENTRY SIDE, UNLESS OTHERWISE NOTED.
6. HARNESS TO BE TESTED FOR CONTENT, OPENES, SHORTS, AND CONTINUITY.
7. PIGTAILS WITH WIRING TO APPROVED MOLDINGS OR CONNECTORS. PIGTAILS SHOWN IN TERMINAL VIEW.
8. THIS IS A PURCHASED HARNESS. NO BILL OF MATERIAL EXISTS.
9. VENDOR TO GREASE FEMALE BULLET TERMINALS.
10. VENDOR MAY REPLACE PIGTAILS WITH WIRING TO APPROVED MOLDINGS OR CONNECTORS. PIGTAILS SHOWN IN TERMINAL VIEW.

MORGAN OLSON

GENERAL STANDARDS UNLESS OTHERWISE NOTED:
 1. UNLESS STATED OTHERWISE, ALL DIMENSIONS ARE IN INCHES.
 2. DIMENSIONS ARE TO CENTER UNLESS OTHERWISE SPECIFIED.
 3. DIMENSIONS ARE TO CENTER UNLESS OTHERWISE SPECIFIED.
 4. DIMENSIONS ARE TO CENTER UNLESS OTHERWISE SPECIFIED.
 5. DIMENSIONS ARE TO CENTER UNLESS OTHERWISE SPECIFIED.
 6. DIMENSIONS ARE TO CENTER UNLESS OTHERWISE SPECIFIED.

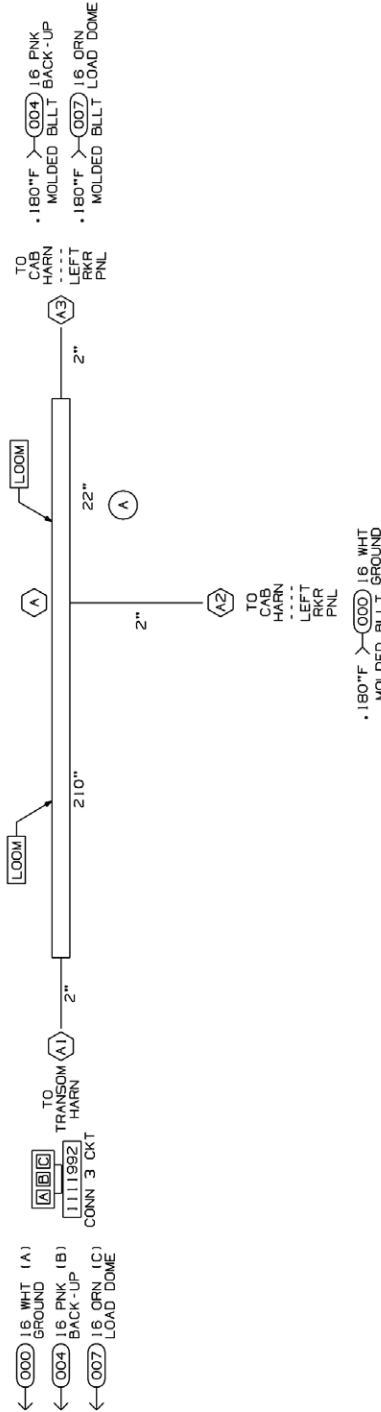
DATE: 27DEC11
 DO NOT SCALE
 NAME: HARN_TRAN_DM_LMP/CHMSL
 FEDEX 2012 FD F260 P31

SCALE: NONE
 SHEET: 1 OF 1
 REV: A

DRAWING NO.	REV	SHIT
127092201	A	1 Of 1
DESCRIPTION	DATE	BY
RELEASE FOR PRODUCTION		
A 22" WAS 4"		

CIRCUIT	DESCRIPTION	END POINTS	FUNCTION
000	16 WHT GROUND	A1,A2	GROUND
004	16 PNK BACK-UP	A1,A3	BACK-UP
007	16 ORN LOAD DOME	A1,A3	LOAD DOME

VENDOR TO KEEP LOOM SIZE AS SMALL AS POSSIBLE



- VENDOR MAY REPLACE PIGTAILS WITH WIRING TO MEET FOLLOWING REQUIREMENTS: CONNECTORS MUST BE SHOWN IN TERMINAL VIEW.
- HARNESS TO BE TESTED FOR CONTENT, OPENS, SHORTS, AND CONTINUITY.
- CONNECTORS SHOWN FROM WIRE ENTRY SIDE, UNLESS OTHERWISE NOTED.
- SPLICES TO BE AUTOMATED WITH SOLDER AND ADHESIVE LINED HEAT-SHRINK TUBING.
- TAPE [1111096]: 6" AT BREAKOUTS, 2" AT 18" INTERVALS FOR UNINTERRUPTED LOOM LENGTHS GREATER THAN 24", AND 2" AT LOOM ENDS.
- HARNESS TO HAVE A LABEL SHOWING MORGAN OLSON PART NUMBER, REVISION LEVEL, AND DATE OF MANUFACTURE.
- SPLIT NYLON LOOM, BLACK WITH GRAY STRIPE, UNLESS OTHERWISE NOTED.
- GXL WIRE.

NOTES:

PROPRIETARY

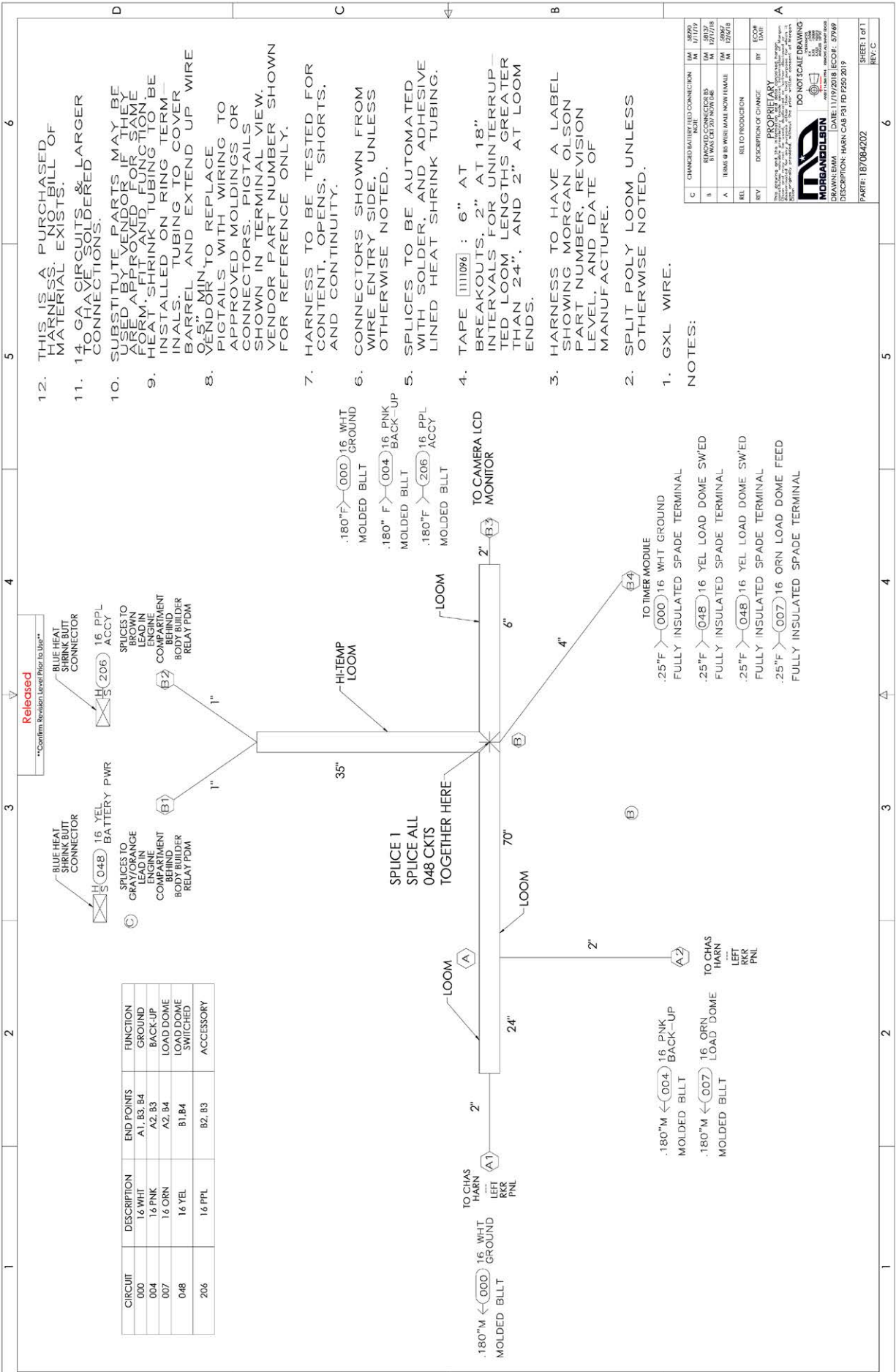
This drawing and the information and data contained herein are the property of Morgan Olson and shall be used for the purpose intended only. No part of this drawing or the information contained herein may be reproduced or transmitted in any form or by any means, electronic or mechanical, including photocopying, recording, or by any information storage and retrieval system, without the prior written permission of Morgan Olson.



SECTION	REVISED	DATE	BY
1	TOLERANCE	2.1.1.000	XXX 1.010
2	SHRINK ALL EXPOSED SHARP EDGES AND CORNERS.		
3	WIRE TUBING ALL INSIDE CORNERS MUST BE ROUNDED TO THE INSIDE CORNER.		
4	WIRE TUBING TO BE USED TO PROTECT WIRE FROM DAMAGE TO THE WIRE INSIDE THE TUBING.		
5	WIRE TUBING TO BE USED TO PROTECT WIRE FROM DAMAGE TO THE WIRE INSIDE THE TUBING.		
6	WIRE TUBING TO BE USED TO PROTECT WIRE FROM DAMAGE TO THE WIRE INSIDE THE TUBING.		
7	WIRE TUBING TO BE USED TO PROTECT WIRE FROM DAMAGE TO THE WIRE INSIDE THE TUBING.		
8	WIRE TUBING TO BE USED TO PROTECT WIRE FROM DAMAGE TO THE WIRE INSIDE THE TUBING.		
9	WIRE TUBING TO BE USED TO PROTECT WIRE FROM DAMAGE TO THE WIRE INSIDE THE TUBING.		
10	WIRE TUBING TO BE USED TO PROTECT WIRE FROM DAMAGE TO THE WIRE INSIDE THE TUBING.		
11	WIRE TUBING TO BE USED TO PROTECT WIRE FROM DAMAGE TO THE WIRE INSIDE THE TUBING.		
12	WIRE TUBING TO BE USED TO PROTECT WIRE FROM DAMAGE TO THE WIRE INSIDE THE TUBING.		
13	WIRE TUBING TO BE USED TO PROTECT WIRE FROM DAMAGE TO THE WIRE INSIDE THE TUBING.		
14	WIRE TUBING TO BE USED TO PROTECT WIRE FROM DAMAGE TO THE WIRE INSIDE THE TUBING.		
15	WIRE TUBING TO BE USED TO PROTECT WIRE FROM DAMAGE TO THE WIRE INSIDE THE TUBING.		
16	WIRE TUBING TO BE USED TO PROTECT WIRE FROM DAMAGE TO THE WIRE INSIDE THE TUBING.		
17	WIRE TUBING TO BE USED TO PROTECT WIRE FROM DAMAGE TO THE WIRE INSIDE THE TUBING.		
18	WIRE TUBING TO BE USED TO PROTECT WIRE FROM DAMAGE TO THE WIRE INSIDE THE TUBING.		
19	WIRE TUBING TO BE USED TO PROTECT WIRE FROM DAMAGE TO THE WIRE INSIDE THE TUBING.		
20	WIRE TUBING TO BE USED TO PROTECT WIRE FROM DAMAGE TO THE WIRE INSIDE THE TUBING.		
21	WIRE TUBING TO BE USED TO PROTECT WIRE FROM DAMAGE TO THE WIRE INSIDE THE TUBING.		
22	WIRE TUBING TO BE USED TO PROTECT WIRE FROM DAMAGE TO THE WIRE INSIDE THE TUBING.		
23	WIRE TUBING TO BE USED TO PROTECT WIRE FROM DAMAGE TO THE WIRE INSIDE THE TUBING.		
24	WIRE TUBING TO BE USED TO PROTECT WIRE FROM DAMAGE TO THE WIRE INSIDE THE TUBING.		
25	WIRE TUBING TO BE USED TO PROTECT WIRE FROM DAMAGE TO THE WIRE INSIDE THE TUBING.		
26	WIRE TUBING TO BE USED TO PROTECT WIRE FROM DAMAGE TO THE WIRE INSIDE THE TUBING.		
27	WIRE TUBING TO BE USED TO PROTECT WIRE FROM DAMAGE TO THE WIRE INSIDE THE TUBING.		
28	WIRE TUBING TO BE USED TO PROTECT WIRE FROM DAMAGE TO THE WIRE INSIDE THE TUBING.		
29	WIRE TUBING TO BE USED TO PROTECT WIRE FROM DAMAGE TO THE WIRE INSIDE THE TUBING.		
30	WIRE TUBING TO BE USED TO PROTECT WIRE FROM DAMAGE TO THE WIRE INSIDE THE TUBING.		
31	WIRE TUBING TO BE USED TO PROTECT WIRE FROM DAMAGE TO THE WIRE INSIDE THE TUBING.		
32	WIRE TUBING TO BE USED TO PROTECT WIRE FROM DAMAGE TO THE WIRE INSIDE THE TUBING.		
33	WIRE TUBING TO BE USED TO PROTECT WIRE FROM DAMAGE TO THE WIRE INSIDE THE TUBING.		
34	WIRE TUBING TO BE USED TO PROTECT WIRE FROM DAMAGE TO THE WIRE INSIDE THE TUBING.		
35	WIRE TUBING TO BE USED TO PROTECT WIRE FROM DAMAGE TO THE WIRE INSIDE THE TUBING.		
36	WIRE TUBING TO BE USED TO PROTECT WIRE FROM DAMAGE TO THE WIRE INSIDE THE TUBING.		
37	WIRE TUBING TO BE USED TO PROTECT WIRE FROM DAMAGE TO THE WIRE INSIDE THE TUBING.		
38	WIRE TUBING TO BE USED TO PROTECT WIRE FROM DAMAGE TO THE WIRE INSIDE THE TUBING.		
39	WIRE TUBING TO BE USED TO PROTECT WIRE FROM DAMAGE TO THE WIRE INSIDE THE TUBING.		
40	WIRE TUBING TO BE USED TO PROTECT WIRE FROM DAMAGE TO THE WIRE INSIDE THE TUBING.		
41	WIRE TUBING TO BE USED TO PROTECT WIRE FROM DAMAGE TO THE WIRE INSIDE THE TUBING.		
42	WIRE TUBING TO BE USED TO PROTECT WIRE FROM DAMAGE TO THE WIRE INSIDE THE TUBING.		
43	WIRE TUBING TO BE USED TO PROTECT WIRE FROM DAMAGE TO THE WIRE INSIDE THE TUBING.		
44	WIRE TUBING TO BE USED TO PROTECT WIRE FROM DAMAGE TO THE WIRE INSIDE THE TUBING.		
45	WIRE TUBING TO BE USED TO PROTECT WIRE FROM DAMAGE TO THE WIRE INSIDE THE TUBING.		
46	WIRE TUBING TO BE USED TO PROTECT WIRE FROM DAMAGE TO THE WIRE INSIDE THE TUBING.		
47	WIRE TUBING TO BE USED TO PROTECT WIRE FROM DAMAGE TO THE WIRE INSIDE THE TUBING.		
48	WIRE TUBING TO BE USED TO PROTECT WIRE FROM DAMAGE TO THE WIRE INSIDE THE TUBING.		
49	WIRE TUBING TO BE USED TO PROTECT WIRE FROM DAMAGE TO THE WIRE INSIDE THE TUBING.		
50	WIRE TUBING TO BE USED TO PROTECT WIRE FROM DAMAGE TO THE WIRE INSIDE THE TUBING.		
51	WIRE TUBING TO BE USED TO PROTECT WIRE FROM DAMAGE TO THE WIRE INSIDE THE TUBING.		
52	WIRE TUBING TO BE USED TO PROTECT WIRE FROM DAMAGE TO THE WIRE INSIDE THE TUBING.		
53	WIRE TUBING TO BE USED TO PROTECT WIRE FROM DAMAGE TO THE WIRE INSIDE THE TUBING.		
54	WIRE TUBING TO BE USED TO PROTECT WIRE FROM DAMAGE TO THE WIRE INSIDE THE TUBING.		
55	WIRE TUBING TO BE USED TO PROTECT WIRE FROM DAMAGE TO THE WIRE INSIDE THE TUBING.		
56	WIRE TUBING TO BE USED TO PROTECT WIRE FROM DAMAGE TO THE WIRE INSIDE THE TUBING.		
57	WIRE TUBING TO BE USED TO PROTECT WIRE FROM DAMAGE TO THE WIRE INSIDE THE TUBING.		
58	WIRE TUBING TO BE USED TO PROTECT WIRE FROM DAMAGE TO THE WIRE INSIDE THE TUBING.		
59	WIRE TUBING TO BE USED TO PROTECT WIRE FROM DAMAGE TO THE WIRE INSIDE THE TUBING.		
60	WIRE TUBING TO BE USED TO PROTECT WIRE FROM DAMAGE TO THE WIRE INSIDE THE TUBING.		
61	WIRE TUBING TO BE USED TO PROTECT WIRE FROM DAMAGE TO THE WIRE INSIDE THE TUBING.		
62	WIRE TUBING TO BE USED TO PROTECT WIRE FROM DAMAGE TO THE WIRE INSIDE THE TUBING.		
63	WIRE TUBING TO BE USED TO PROTECT WIRE FROM DAMAGE TO THE WIRE INSIDE THE TUBING.		
64	WIRE TUBING TO BE USED TO PROTECT WIRE FROM DAMAGE TO THE WIRE INSIDE THE TUBING.		
65	WIRE TUBING TO BE USED TO PROTECT WIRE FROM DAMAGE TO THE WIRE INSIDE THE TUBING.		
66	WIRE TUBING TO BE USED TO PROTECT WIRE FROM DAMAGE TO THE WIRE INSIDE THE TUBING.		
67	WIRE TUBING TO BE USED TO PROTECT WIRE FROM DAMAGE TO THE WIRE INSIDE THE TUBING.		
68	WIRE TUBING TO BE USED TO PROTECT WIRE FROM DAMAGE TO THE WIRE INSIDE THE TUBING.		
69	WIRE TUBING TO BE USED TO PROTECT WIRE FROM DAMAGE TO THE WIRE INSIDE THE TUBING.		
70	WIRE TUBING TO BE USED TO PROTECT WIRE FROM DAMAGE TO THE WIRE INSIDE THE TUBING.		
71	WIRE TUBING TO BE USED TO PROTECT WIRE FROM DAMAGE TO THE WIRE INSIDE THE TUBING.		
72	WIRE TUBING TO BE USED TO PROTECT WIRE FROM DAMAGE TO THE WIRE INSIDE THE TUBING.		
73	WIRE TUBING TO BE USED TO PROTECT WIRE FROM DAMAGE TO THE WIRE INSIDE THE TUBING.		
74	WIRE TUBING TO BE USED TO PROTECT WIRE FROM DAMAGE TO THE WIRE INSIDE THE TUBING.		
75	WIRE TUBING TO BE USED TO PROTECT WIRE FROM DAMAGE TO THE WIRE INSIDE THE TUBING.		
76	WIRE TUBING TO BE USED TO PROTECT WIRE FROM DAMAGE TO THE WIRE INSIDE THE TUBING.		
77	WIRE TUBING TO BE USED TO PROTECT WIRE FROM DAMAGE TO THE WIRE INSIDE THE TUBING.		
78	WIRE TUBING TO BE USED TO PROTECT WIRE FROM DAMAGE TO THE WIRE INSIDE THE TUBING.		
79	WIRE TUBING TO BE USED TO PROTECT WIRE FROM DAMAGE TO THE WIRE INSIDE THE TUBING.		
80	WIRE TUBING TO BE USED TO PROTECT WIRE FROM DAMAGE TO THE WIRE INSIDE THE TUBING.		
81	WIRE TUBING TO BE USED TO PROTECT WIRE FROM DAMAGE TO THE WIRE INSIDE THE TUBING.		
82	WIRE TUBING TO BE USED TO PROTECT WIRE FROM DAMAGE TO THE WIRE INSIDE THE TUBING.		
83	WIRE TUBING TO BE USED TO PROTECT WIRE FROM DAMAGE TO THE WIRE INSIDE THE TUBING.		
84	WIRE TUBING TO BE USED TO PROTECT WIRE FROM DAMAGE TO THE WIRE INSIDE THE TUBING.		
85	WIRE TUBING TO BE USED TO PROTECT WIRE FROM DAMAGE TO THE WIRE INSIDE THE TUBING.		
86	WIRE TUBING TO BE USED TO PROTECT WIRE FROM DAMAGE TO THE WIRE INSIDE THE TUBING.		
87	WIRE TUBING TO BE USED TO PROTECT WIRE FROM DAMAGE TO THE WIRE INSIDE THE TUBING.		
88	WIRE TUBING TO BE USED TO PROTECT WIRE FROM DAMAGE TO THE WIRE INSIDE THE TUBING.		
89	WIRE TUBING TO BE USED TO PROTECT WIRE FROM DAMAGE TO THE WIRE INSIDE THE TUBING.		
90	WIRE TUBING TO BE USED TO PROTECT WIRE FROM DAMAGE TO THE WIRE INSIDE THE TUBING.		
91	WIRE TUBING TO BE USED TO PROTECT WIRE FROM DAMAGE TO THE WIRE INSIDE THE TUBING.		
92	WIRE TUBING TO BE USED TO PROTECT WIRE FROM DAMAGE TO THE WIRE INSIDE THE TUBING.		
93	WIRE TUBING TO BE USED TO PROTECT WIRE FROM DAMAGE TO THE WIRE INSIDE THE TUBING.		
94	WIRE TUBING TO BE USED TO PROTECT WIRE FROM DAMAGE TO THE WIRE INSIDE THE TUBING.		
95	WIRE TUBING TO BE USED TO PROTECT WIRE FROM DAMAGE TO THE WIRE INSIDE THE TUBING.		
96	WIRE TUBING TO BE USED TO PROTECT WIRE FROM DAMAGE TO THE WIRE INSIDE THE TUBING.		
97	WIRE TUBING TO BE USED TO PROTECT WIRE FROM DAMAGE TO THE WIRE INSIDE THE TUBING.		
98	WIRE TUBING TO BE USED TO PROTECT WIRE FROM DAMAGE TO THE WIRE INSIDE THE TUBING.		
99	WIRE TUBING TO BE USED TO PROTECT WIRE FROM DAMAGE TO THE WIRE INSIDE THE TUBING.		
100	WIRE TUBING TO BE USED TO PROTECT WIRE FROM DAMAGE TO THE WIRE INSIDE THE TUBING.		

HARNESS AND LOOM TOLERANCES	
UP TO 60"	-0/+2"
60" TO 100"	-0/+4"
100" TO 200"	-0/+5"
200" TO 400"	-0/+6"
400" TO 600"	-0/+7"
OVER 600"	-0/+8"
BO TO BO	-0/+2"
LENGTHS APPLY FROM BREAKOUT TO BREAKOUT OR BREAKOUT TO WIRE ENTRY SIDE OF CONNECTOR, OR END OF COVER.	

FIRST USED:
JV000651
BASED ON:
008792200



Released
Confirm Location Level Prior to Use

12. THIS IS A PURCHASED HARNESS. NO BILL OF MATERIAL EXISTS.

11. 14 GA. CIRCUITS & LARGER TO HAVE SOLDERED CONNECTIONS.

10. SUBSTITUTE PARTS MAY BE USED BY VENDOR IF THEY ARE APPROVED ON THE SAME FORM. REASONED FUNCTION TO BE HEAT SHRINK TUBING TO BE INSTALLED ON RING TERMINALS. TUBING TO COVER BARE WIRE AND EXTEND UP WIRE BAREL AND TO REPLACE VENDOR TO REPLACE PIGTAILS WITH WIRING TO APPROVED MOLDINGS OR CONNECTORS. PIGTAILS SHOWN IN TERMINAL VIEW. VENDOR PART NUMBER SHOWN FOR REFERENCE ONLY.

8. 5" MIN. TO REPLACE VENDOR TO REPLACE PIGTAILS WITH WIRING TO APPROVED MOLDINGS OR CONNECTORS. PIGTAILS SHOWN IN TERMINAL VIEW. VENDOR PART NUMBER SHOWN FOR REFERENCE ONLY.

7. HARNESS TO BE TESTED FOR CONTENT, OPENS, SHORTS, AND CONTINUITY.

6. CONNECTORS SHOWN FROM WIRE ENTRY SIDE, UNLESS OTHERWISE NOTED.

5. SPLICES TO BE AUTOMATED WITH SOLDER, AND ADHESIVE LINED HEAT SHRINK TUBING.

4. TAPE [1111096] : 6" AT BREAKOUTS, 2" AT 18" INTERVALS FOR UNINTERRUPTED LOOM LENGTHS GREATER THAN 24", AND 2" AT LOOM ENDS.

3. HARNESS TO HAVE A LABEL SHOWING MORGAN OLSON PART NUMBER, REVISION LEVEL, AND DATE OF MANUFACTURE.

2. SPLIT POLY LOOM UNLESS OTHERWISE NOTED.

1. GXL WIRE.

CIRCUIT	DESCRIPTION	END POINTS	FUNCTION
000	16 WHI GROUND	A1, B3, B4	GROUND
004	16 PNK BACK-UP	A2, B3	BACK-UP
007	16 ORN LOAD DOME	A2, B4	LOAD DOME
048	16 YEL SWITCHED	B1, B4	LOAD DOME SWITCHED
206	16 PPL ACCESSORY	B2, B3	ACCESSORY

Splices to:
 - GRANGE LEAD IN ENGINE COMPARTMENT BEHIND BATTERY RELAY PDM (B1)
 - BATTERY PWR (H(048))
 - GRANGE LEAD IN ENGINE COMPARTMENT BEHIND BATTERY RELAY PDM (B2)
 - ACCY (H(206))

Splices to:
 - GRANGE LEAD IN ENGINE COMPARTMENT BEHIND BATTERY RELAY PDM (B1)
 - BATTERY PWR (H(048))
 - GRANGE LEAD IN ENGINE COMPARTMENT BEHIND BATTERY RELAY PDM (B2)
 - ACCY (H(206))

NOTES:
 1. GXL WIRE.
 2. SPLIT POLY LOOM UNLESS OTHERWISE NOTED.
 3. HARNESS TO HAVE A LABEL SHOWING MORGAN OLSON PART NUMBER, REVISION LEVEL, AND DATE OF MANUFACTURE.
 4. TAPE [1111096] : 6" AT BREAKOUTS, 2" AT 18" INTERVALS FOR UNINTERRUPTED LOOM LENGTHS GREATER THAN 24", AND 2" AT LOOM ENDS.
 5. SPLICES TO BE AUTOMATED WITH SOLDER, AND ADHESIVE LINED HEAT SHRINK TUBING.
 6. CONNECTORS SHOWN FROM WIRE ENTRY SIDE, UNLESS OTHERWISE NOTED.
 7. HARNESS TO BE TESTED FOR CONTENT, OPENS, SHORTS, AND CONTINUITY.
 8. 5" MIN. TO REPLACE VENDOR TO REPLACE PIGTAILS WITH WIRING TO APPROVED MOLDINGS OR CONNECTORS. PIGTAILS SHOWN IN TERMINAL VIEW. VENDOR PART NUMBER SHOWN FOR REFERENCE ONLY.

REV	DESCRIPTION	DATE	BY	APP'D
1	REVISED CONNECTION	11/17/19	IM	11/17/19
2	REVISED CONNECTION	12/17/18	IM	12/17/18
3	REVISED CONNECTION	12/17/18	IM	12/17/18
4	REVISED CONNECTION	12/17/18	IM	12/17/18
5	REVISED CONNECTION	12/17/18	IM	12/17/18
6	REVISED CONNECTION	12/17/18	IM	12/17/18
7	REVISED CONNECTION	12/17/18	IM	12/17/18
8	REVISED CONNECTION	12/17/18	IM	12/17/18

CHANGE DATED CONNECTION
 IM 11/17/19
 IM 12/17/18
 IM 12/17/18
 IM 12/17/18
 IM 12/17/18
 IM 12/17/18
 IM 12/17/18
 IM 12/17/18

NOTICE TO THE CUSTOMER:
 This diagram is for informational purposes only and does not constitute a warranty. It is subject to change without notice. For more information, please contact your distributor.

MORGAN OLSON
 1800 OLSON DR., BENTON, MI 49814
 TEL: 1-800-332-0000
 FAX: 1-800-332-0000
 DESCRIPTION: HARNS-CAB-P31-10-2250-2019

PARF: 187084202

