

FedEx[®] Express

2015 MORGAN OLSON BODY
2015 FORD F-250 CHASSIS



Federal Express



1-800-233-4823
WWW.MORGANOLSON.COM



INTRODUCTION	3
FRONT	4
SIDES	5
SIDE CARGO DOOR	6
FLOOR	7
ROOF	8
BACK	9
REAR DOORS	10
SHELVES	11
BUMPER	12
ELECTRICAL	13
MISCELLANEOUS	14
WIRING DIAGRAMS	15-19

This parts guide contains illustrations and part numbers for Federal Express Package Delivery Cars and applies to bill of material # JV001103 produced in 2015.

This book has been divided into chapters.
Each chapter has illustrations with part numbers and descriptions.
Each part is pointed out to help identify it.

Orientation references are from the rear of the vehicle facing forward.
LH (LEFT HAND) is roadside and RH (RIGHT HAND) is curbside.

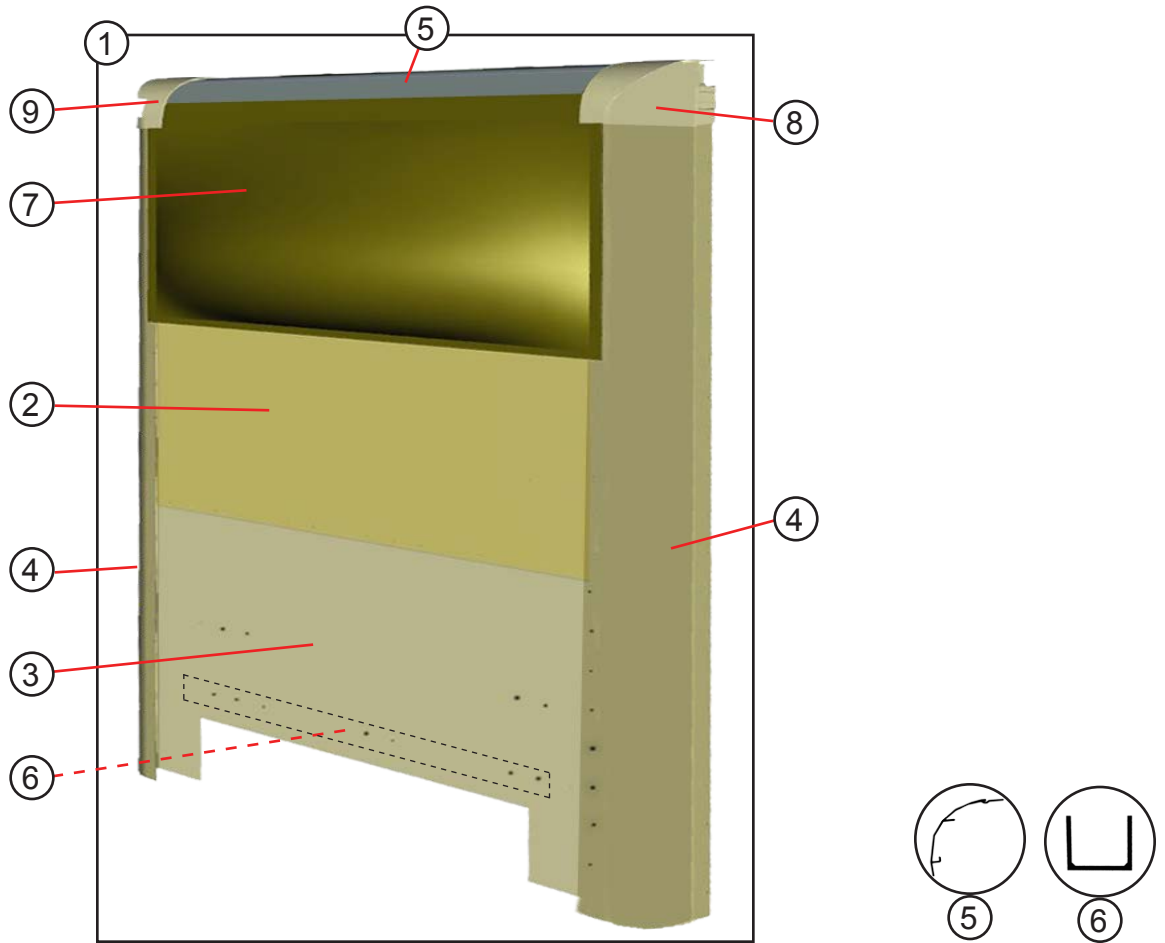
Procedure to Order Parts

1. Depending on the part desired, turn to the appropriate section.
2. Locate the desired part on the Illustration Page(s) and note it's number.
3. Contact a Morgan Olson Service Parts Representative. Have part numbers readily available.
4. When placing orders, specify serial numbers.

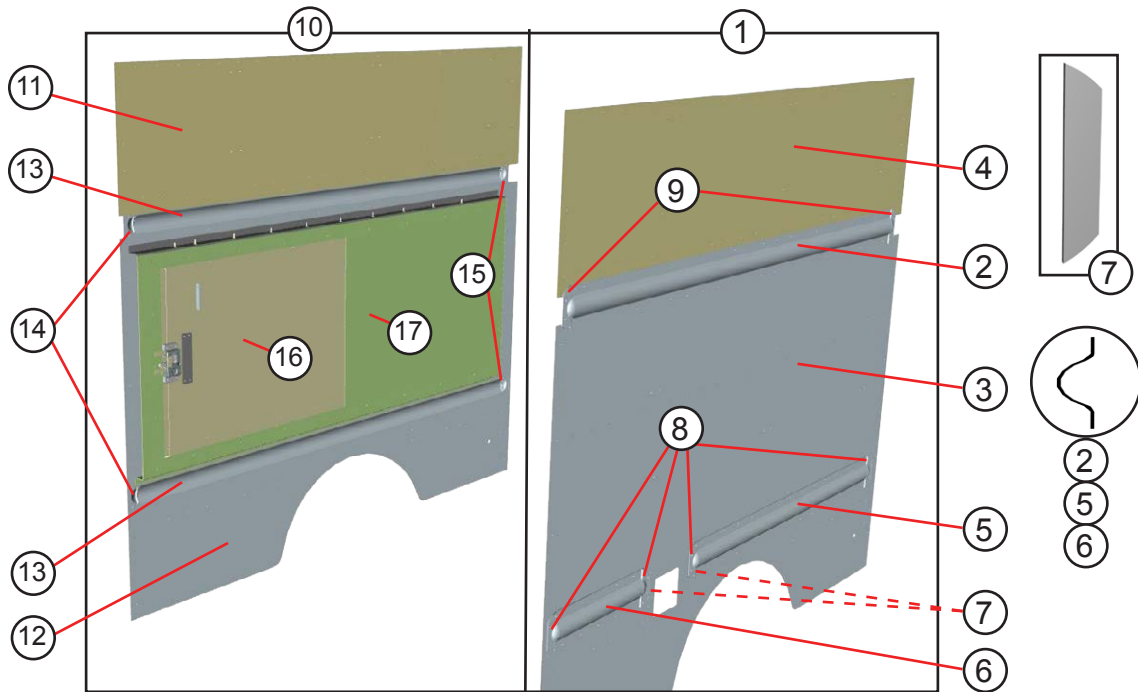
FOR WARRANTY INFORMATION CALL 1-800-262-3437

ANY QUESTIONS OR CONCERNS SHOULD BE DIRECTED TO YOUR SERVICE
PARTS REPRESENTATIVE AT
1-800-233-4823

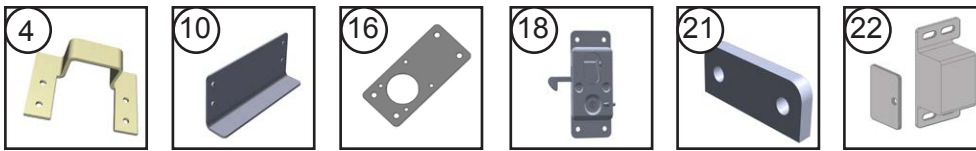
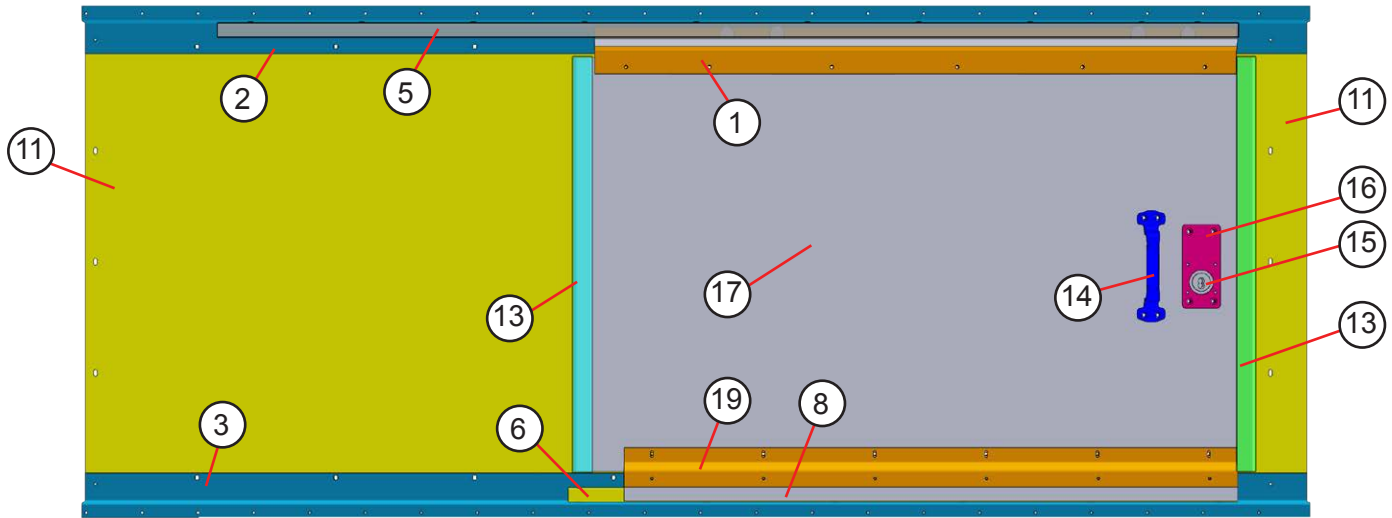
At Morgan Olson, our quest for quality and safety is ongoing and therefore the specifications on the product described herein may vary over time.
Please contact Morgan Olson for the latest product information and available safety features and options.



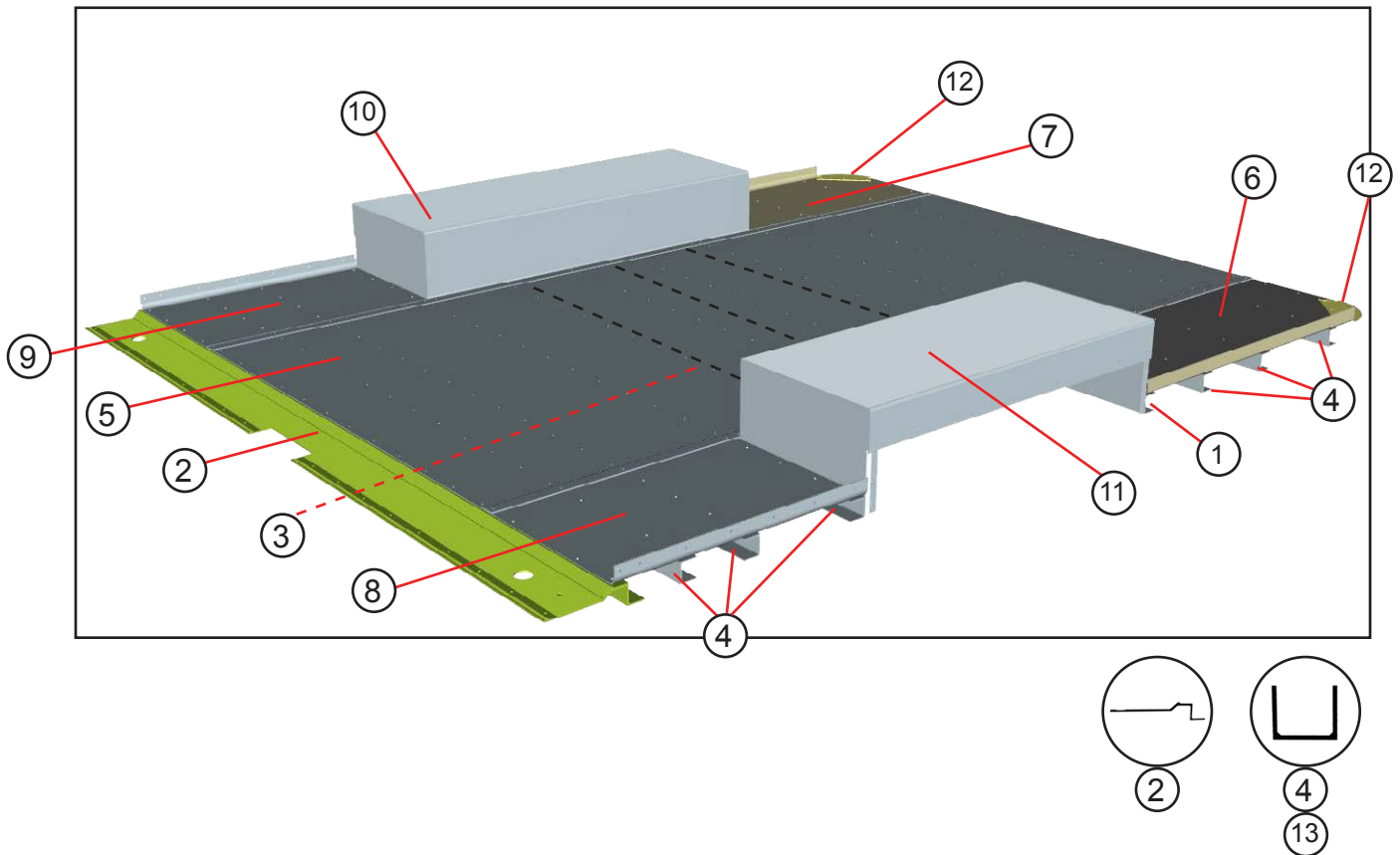
ITEM	PART #	DESCRIPTION	QTY.	UNIT
1		FRONT ASSEMBLY	1	EA
2	087050445	FRONT PANEL UPPER	1	EA
3	117050439	FRONT PANEL LOWER	1	EA
4	000214402	CORNER POST	2	EA
5	000210402	NOSE	1	EA
6	000230404	CHANNEL @ O LINE	1	EA
7	156121400	NOSE CONE	1	EA
8	45100113	CORNER CASTING FRONT ROADSIDE	1	EA
9	45100114	CORNER CASTING FRONT CURBSIDE	1	EA



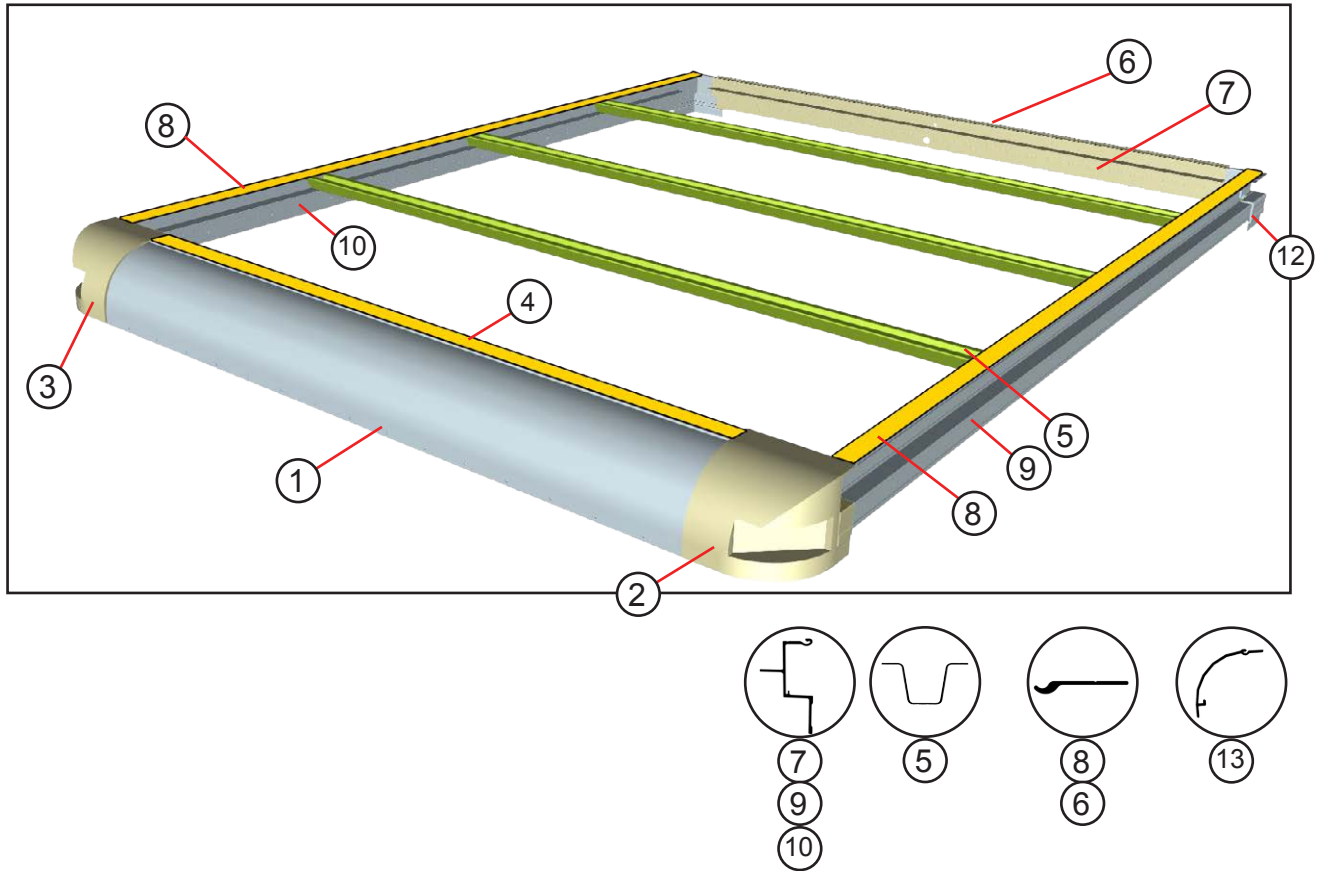
ITEM	PART #	DESCRIPTION	QTY.	UNIT
1		SIDE INSTALLATION ROADSIDE		
2	087040415	RUB RAIL	1	EA
3	117040408	SIDE LOWER ROADSIDE	1	EA
4	087040418	SIDE UPPER ROADSIDE	1	EA
5	117040402	RUB RAIL AFT F/FILL X54.56"	1	EA
6	117040403	RUB RAIL X20.82"	1	EA
7	093039400	SHIM CAST ENDCAP	2	EA
8	45100097	CAP RUB RAIL LOWER W/STP	4	EA
9	45100077	CAP RUB RAIL	2	EA
10		SIDE INSTALLATION CURBSIDE		
11	087040418	SIDE UPPER CURBSIDE	1	EA
12	107040405	SIDE LOWER CURBSIDE	1	EA
13	087040415	RUB RAIL 9.5' ALE450337X88.12	2	EA
14	45100077	CAP RUB RAIL END FRONT	2	EA
15	45100097	CAP RUB RAIL END REAR	2	EA
16	136060200	DOOR ASSEMBLY (SEE PAGE 6)	1	EA
17	107060401	PANEL COVER SLIDING DOOR AL .102X34.22X88	1	EA



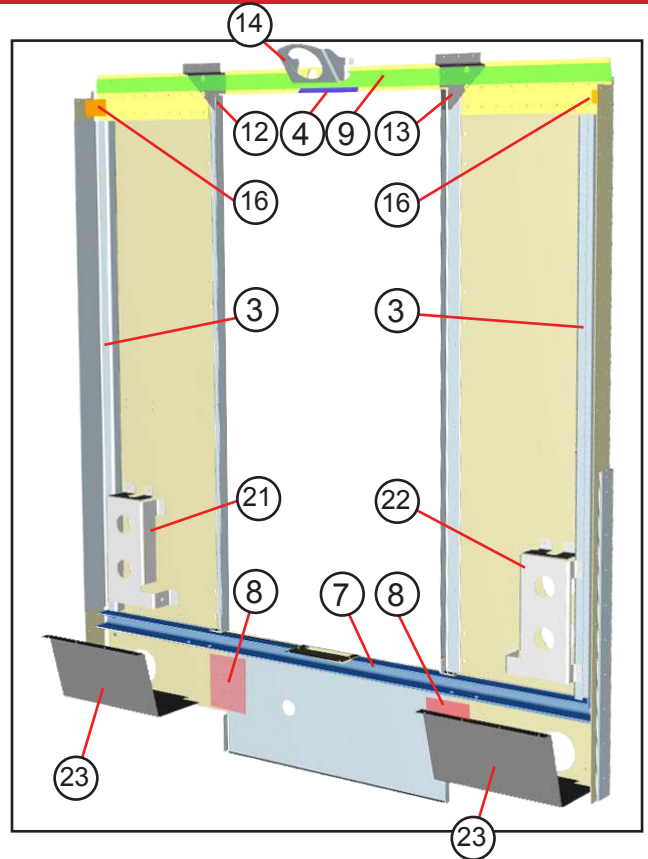
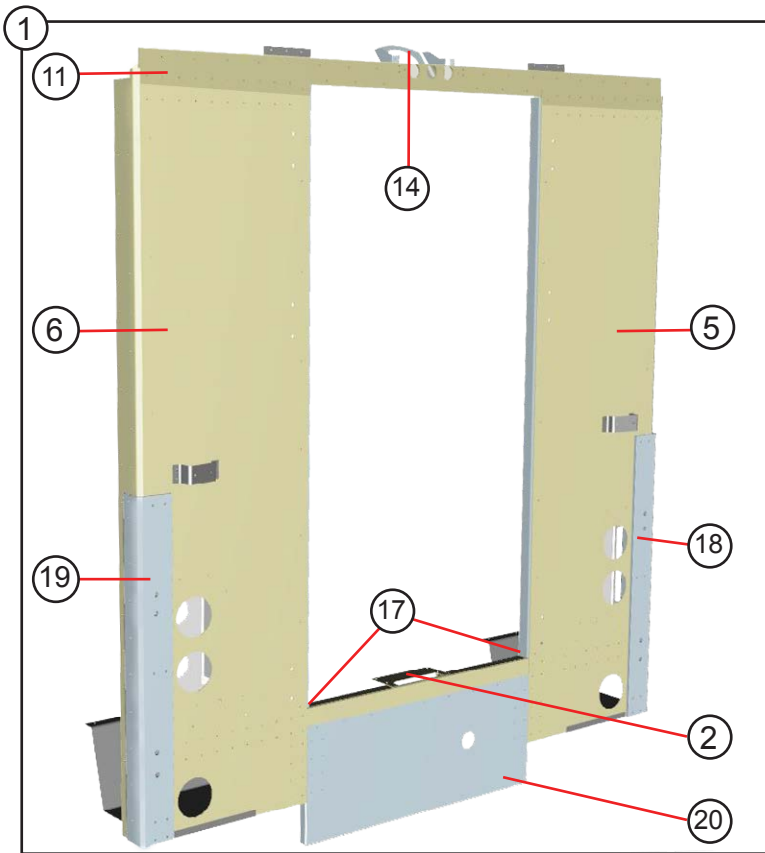
ITEM	PART #	DESCRIPTION	QTY.	UNIT
1	96760204	HANGER ASSEMBLY (PLATE, SEAL BRUSH, ROLLERS)	1	EA
2	107060402	ZEE UPPER AL.102X4.95X88	1	EA
3	107060403	ZEE LOWER AL.102X4.71X88	1	EA
4	000240408	LATCH STRIKER GALV 12GAX2.25X5.32	1	EA
5	96741203	TRACK ASSEMBLY DOOR	1	EA
6	107060404	NYLON GUIDE MID 1X48	1	EA
7	000240413	DOOR POST END VERTICAL AL 450011X34.18	2	EA
8	107060407	GUIDE DOOR LOWER AL 450501X44	1	EA
NS	137060400	PLATE BACKING AL .125X2X44	1	EA
10	156060400	SHIM DOOR HANDLE	1	EA
11	107060401	PANEL COVER SLIDING DOOR	1	EA
NS	107040400	TRIM EDGE SLIDING DOOR AL .07X2.04X41.75	1	EA
13	087060408	EDGE CAP DOOR ALE 450179X29.75	2	EA
14	47006046	GRAB HANDLE CHROME FINISH	1	EA
15	47106625	CYLINDER BEST LOCK	1	EA
16	136060407	SHIM BEST LOCK	1	EA
17	107060400	PANEL DOOR	1	EA
18	1113457	LATCH GATE	1	EA
19	107060408	ZEE LOWER DOOR GUIDE AL.125X2.99X44	1	EA
20	136040400	RAIL DRIP AL 450006X45.12	1	EA
21	96770313	SPACER LATCH GATE	4	EA
22	47001080	CATCH MAGNETIC	1	EA
NS	137060401	PLATE AL .125X1.35X46	1	EA
NS	076351	SEAL RUBBER	4	FT
NS	47001476	SEAL BRUSH TYPE 1.5"	1	EA
NS	47106602	SEAL BRUSH TYPE 1.0" X85.75"	1	EA



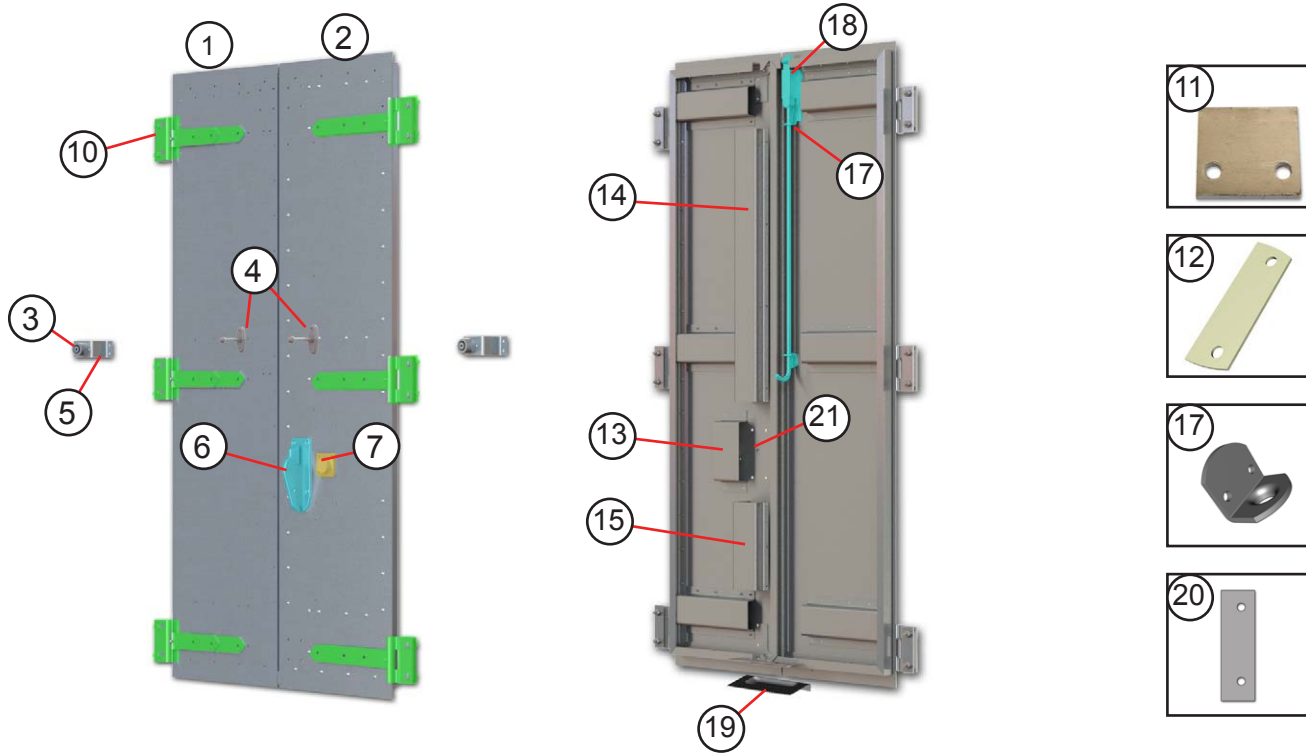
ITEM	PART #	DESCRIPTION	QTY.	UNIT
1	155030400	CHANNEL TIE DOWN	1	EA
2	087030416	DROP SILL	1	EA
3	91630302	CHANNEL TIE DOWN @ W/BOX	3	EA
4	91630303	CHANNEL TIE DOWN STANDARD	6	EA
5	087030412	FLOOR CENTER	1	EA
6	087030414	FLOOR FWD CURBSIDE	1	EA
7	117030410	FLOOR FWD ROADSIDE	1	EA
8	087030411	REAR FLOOR CURBSIDE	1	EA
9	087030410	REAR FLOOR ROADSIDE	1	EA
10	107030202	WHEEL BOX ROADSIDE	1	EA
11	117030201	WHEEL BOX CURBSIDE	1	EA
12	087030415	PANEL FILLER	2	EA
13			1	EA



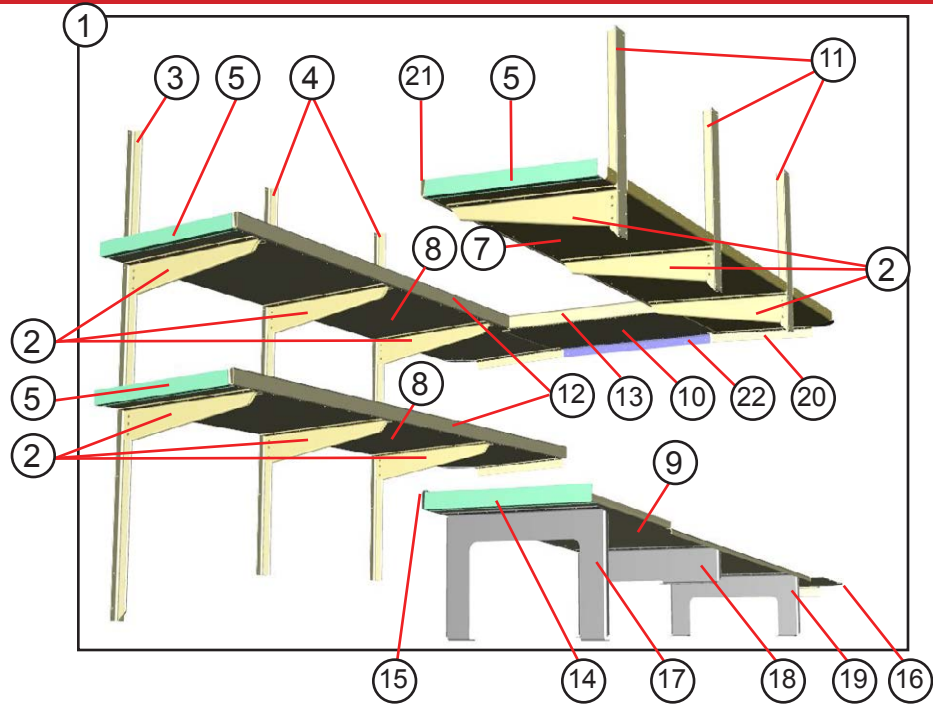
ITEM	PART #	DESCRIPTION	QTY.	UNIT
1	000210402	NOSE	1	EA
2	45100113	CORNER CASTING FRONT ROADSIDE	1	EA
3	45100114	CORNER CASTING FRONT CURBSIDE	1	EA
4	000210403	INTERLOCK ROOF RAIL FRONT NOSING	1	EA
5	087010500	ROOF BOW STEEL	3	EA
6	000210401	INTERLOCK ROOF RAIL	1	EA
7	136010400	RAIL ROOF BACK	1	EA
8	000210404	INTERLOCK ROOF RAIL	2	EA
9	000210405	RAIL ROOF ROADSIDE	1	EA
10	000210406	RAIL ROOF CURBSIDE	1	EA
NS	136010401	ROOF SKIN FIBERGLASS	1	EA
12	45100043	CORNER CASTING	2	EA



ITEM	PART #	DESCRIPTION	QTY.	UNIT
1	136050201	BACK ASSEMBLY	1	EA
2	004051401	STRIKER PLATE	1	EA
3	98750407	REINFORCEMENT BUMPER	2	EA
4	45100106	STRIKER BRONZE D/R	1	EA
5	136050401	PANEL CURBSIDE	1	EA
6	136050400	PANEL ROADSIDE	1	EA
7	087050437	SILL REAR	1	EA
8	93050309	PLATE DOUBLER REAR SILL	2	EA
9	136050402	HEADER ANGLE	1	EA
10	083050462	POST HINGE	2	EA
11	136050403	HEADER TRANSOM	1	EA
12	90650305	GUSSET UPPER CURBSIDE	1	EA
13	90650304	GUSSET UPPER ROADSIDE	1	EA
14	136050404	BRACKET DOME LAMP	1	EA
NS	136050405	SHIM TRANSOM	1	EA
16	136050406	BRACKET CORNER	2	EA
17	90650307	ANGLE CLIP	2	EA
18	087050451	ANGLE REINFORCEMENT OUTER CURBSIDE	1	EA
19	087050450	ANGLE REINFORCEMENT OUTER ROADSIDE	1	EA
20	107050405	SILL EXTENSION	1	EA
21	087050439	LAMP GUARD CURBSIDE	1	EA
22	087050438	LAMP GUARD ROADSIDE	1	EA
23	146026400	GUARD LAMP REAR AL .102X6X14.79	2	EA



ITEM	PART #	DESCRIPTION	QTY.	UNIT
1	127054200	DOOR ASSEMBLY ROADSIDE	1	EA
2	127054201	DOOR ASSEMBLY CURBSIDE	1	EA
3	1113037	DOOR HOLDER	2	EA
4	1113437	DOOR HOLDER PLUNGER 3.12 OA	2	EA
5	96751316	BRACKER DOOR HOLDER	2	EA
6	47000532	HANDLE DOOR CHROME	1	EA
7	47000990	BODY LOCK W/CYL ADAPTOR	1	EA
NS	47000914	CYL. LOCK ASSEMBLY W/O CORE (LOCK CORE KIT 47000735)	1	EA
NS	1107047	DOOR SEAL	14.84	FT
10	47007900	HINGE STRAP W/ZERK	6	EA
11	96751318	SHIM HINGE	6	EA
12	7400126	SHIM GUIDE	1	EA
13	96751317	COVER LATCH	1	EA
14	93048312	COVER LOCK CABLE UPPER	1	EA
15	93048313	COVER LOCK CABLE LOWER	1	EA
NS	1107047	SEAL SPONGE DOOR	9.9	FT
17	1112011	GUIDE FOR ROD	2	EA
18	1113021	LATCH FINGER PULL	1	EA
19	7500036	DUST PAN	1	EA
20	157054400	PLATE BACKING FOR HINGE	6	EA
21	47000910	LATCH KIT	1	EA

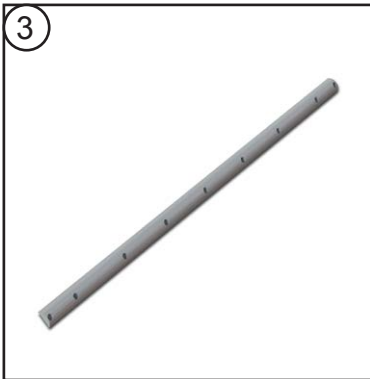
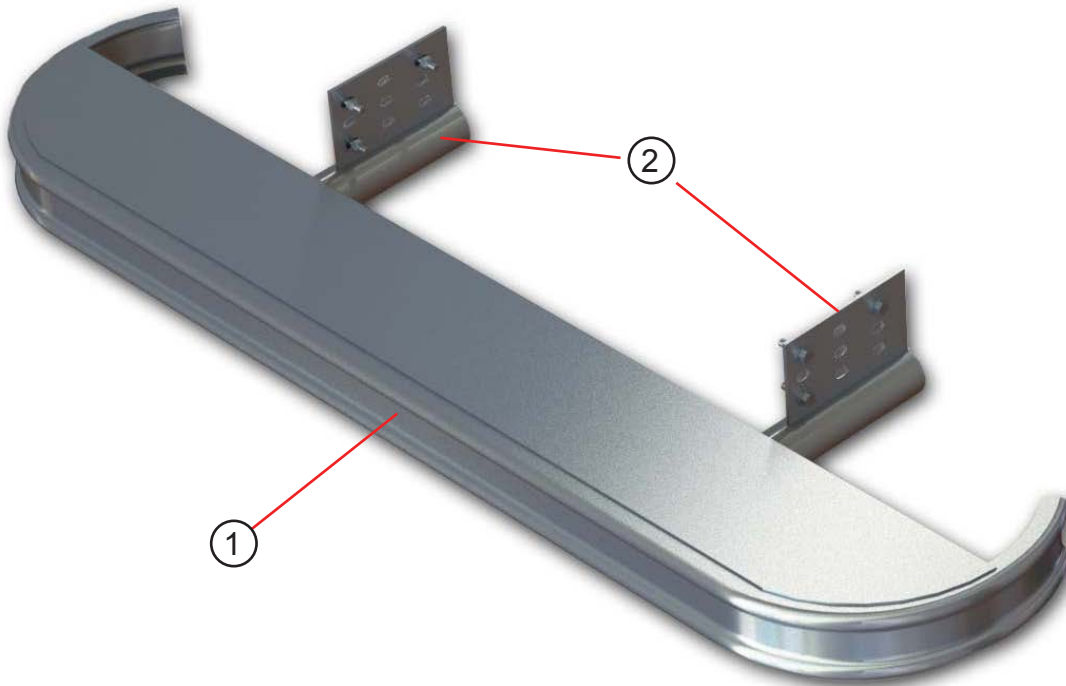


ITEM	PART #	DESCRIPTION	QTY.	UNIT
1	117105001	SHELF INSTALLATION	1	EA
2	82782300	SHELF BRACKET	3	EA
3	087105407	STANTION LONG	1	EA
4	087105408	STANTION SHORT	1	EA
5	96781306	ANGLE REAR	3	EA
6	1106157	PLUG SHELF BRACKETS	9	EA
7	107105405	SHELF PANEL	1	EA
8	087105508	SHELF PANEL	2	EA
9	107105400	SHELF LOWER	1	EA
10	117105409	SHELF FRONT CENTER	1	EA
11	087105409	STANTION SHORT CURBSIDE	3	EA
12	087105518	SHELF LIP 450589X98.12	2	EA
13	087105519	SHELF LIP 450589X28.38	1	EA
14	087105517	ANGLE REAR	1	EA
15	087105520	SHELF LIP 450589X97.76	1	EA
16	087030415	PANEL FILLER	4	EA
17	107105401	SHELF SUPPORT	1	EA
18	107105402	SHELF SUPPORT	1	EA
19	107105403	SHELF SUPPORT	1	EA
20	087105516	ANGLE BULKHEAD	4	EA
21	127105401	SHELF LIP 450589X98.12	1	EA
22	117105410	ANGLE SHELF FRONT	1	EA
NS	998549301	E-TRACK X34"	1	EA
NS	127102400	HAT E-TRACK MOUNTING	1	EA
NS	45400442	STRAP CAM BUCKLE	1	EA
NS	136143400	GRAB HANDLE 21.69"	1	EA
NS	196143400	GRAB HANDLE 40.5"	1	EA

Genuine OEM Parts

Morgan Olson Service Parts

1-800-233-4823

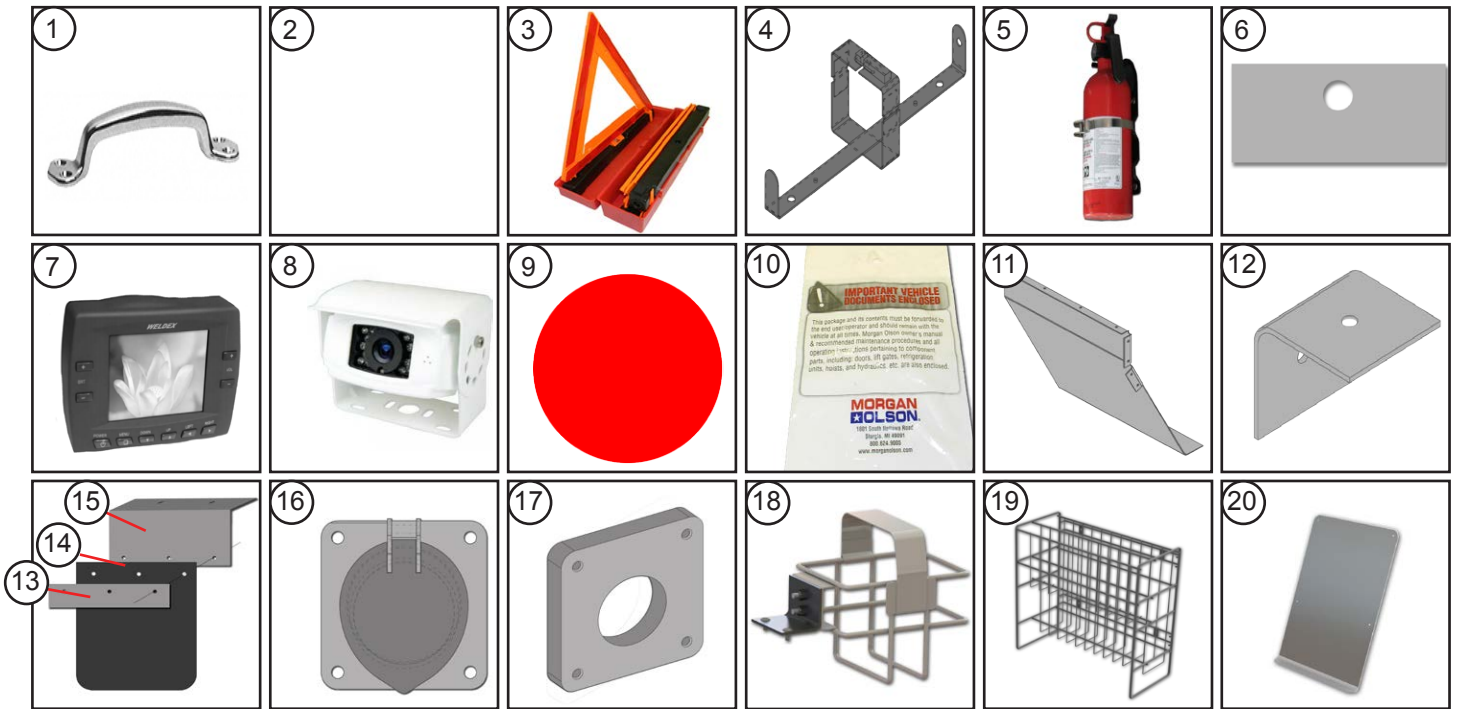


ITEM #	PART #	DESCRIPTION	QTY.	UNIT
1	003757204	BUMPER WELDMENT REAR	1	EA
2	003057200	MOUNTING BUMPER SHOCK	2	EA
3	083102404	PROTECTIVE BUMPER RUBBER 1107307X60	1	EA



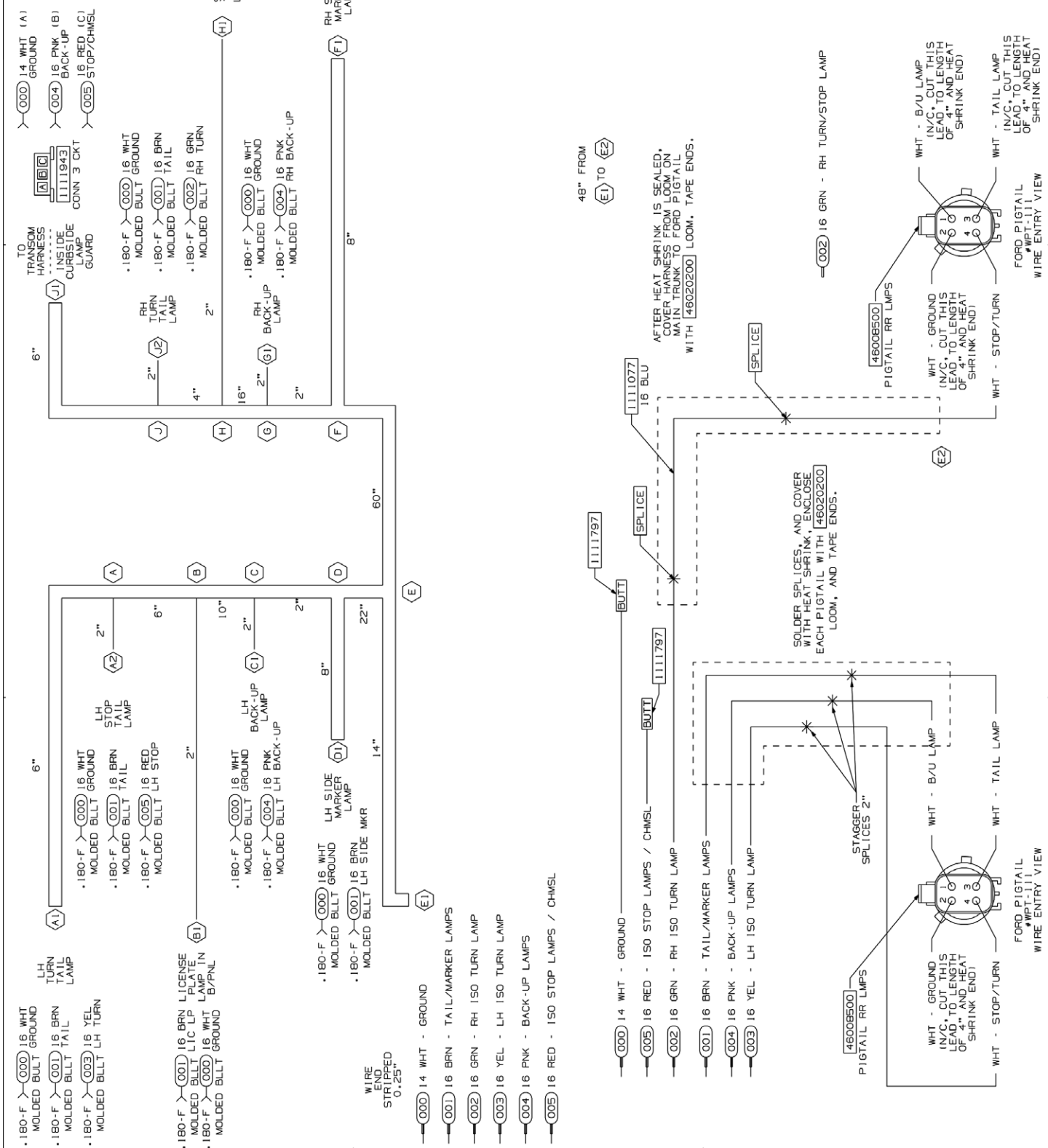
ITEM #	PART #	DESCRIPTION	QTY.	UNIT
1	45200253	PLACARD DOME LAMPS	2	EA
2	46002637	DOME LAMP RECESSED LED	1	EA
3	136050404	BRACKET DOME LAMP	1	EA
4	46002259	LAMP SIGNAL/TURN/TAIL RED	4	EA
5	46001438	LAMP BACK UP LED	2	EA
6	46001341	LAMP CLEARANCE MARKER LED	2	EA
7	46001342	GROMMET CLEARANCE MARKER LAMP	2	EA
8	1107109	GROMMET	1	EA
9	46001904	LAMP STOP CHMSL	1	EA
10	46002430	LAMP LICENSE PLATE	1	EA
11	147052403	BRACKET LICENSE PLATE LAMP	1	EA
12			1	EA
13				
14				
15				

PAGE #	PART #	DESCRIPTION	QTY.	UNIT
15	008787200	HARNESS REAR	1	EA
16	127084201	HARNESS CAB	1	EA
17	127091201	HARNESS TRANSOM	1	EA
18	127092201	HARNESS CHASSIS	1	EA
NS	48200032	CABLE CAMERA TO MONITOR	1	EA



ITEM #	PART #	DESCRIPTION	QTY.	UNIT
1	47006046	GRAB HANDLE 10" - CAB INTERIOR LH	1	EA
NS	47009240	POUCH DRIVER INFO (REGISTRATION INFO 47009241)	1	EA
3	47009547	REFLECTOR KIT - TRIANGLES	1	EA
4	47009548	REFLECTOR MOUNTING BRACKET	1	EA
5	47009235	FIRE EXTINGUISHER (BRACKET 47009270)	1	EA
6	91600010	TIE DOWN PACKAGE (TIE DOWN PLATE SHOWN 78331095)	1	EA
7	48200135	MONITOR	1	EA
8	48200128	CAMERA (CAMERA GUARD 136092400)	1	EA
9	46025017	REFLECTOR SPITFIRE 2.88DIA	10	EA
10	43004362	BAG PLASTIC DOCUMENT HOLDER	1	EA
11	117012401	SPLASH PAN	1	EA
12	82312025	SPLASH PAN SUPPORT	1	EA
13	136077402	MUD FLAPS RETAINER	2	EA
14	44000076	MUD FLAP BLACK	1	PR
15	156077405	ANGLE RETAINER	2	EA
16	136060400	RECEPTACLE WEATHER PROOF	1	EA
17	136060403	SPACER RING FOR RECEPTICLE AL.25X2.6X2.6	1	EA
18	006320005	BASKET PRINTER (BRACKET 177020400)	1	EA
19	47009599	BASKET ORGANIZER	1	EA
20	003750460	BRACKET BASKET	1	EA
NS	121765400	BRACKET HAND CART	1	EA
NS	48000500	STRAP HAND CART	1	EA
NS	122124002	MUD FLAPS FRONT INSTALLATION	1	PR
NS	47009199	HAZMAT POUCH	1	EA
NS	47009246	STONE GUARD WIRE MESH 17.5 X 42.5	1	EA

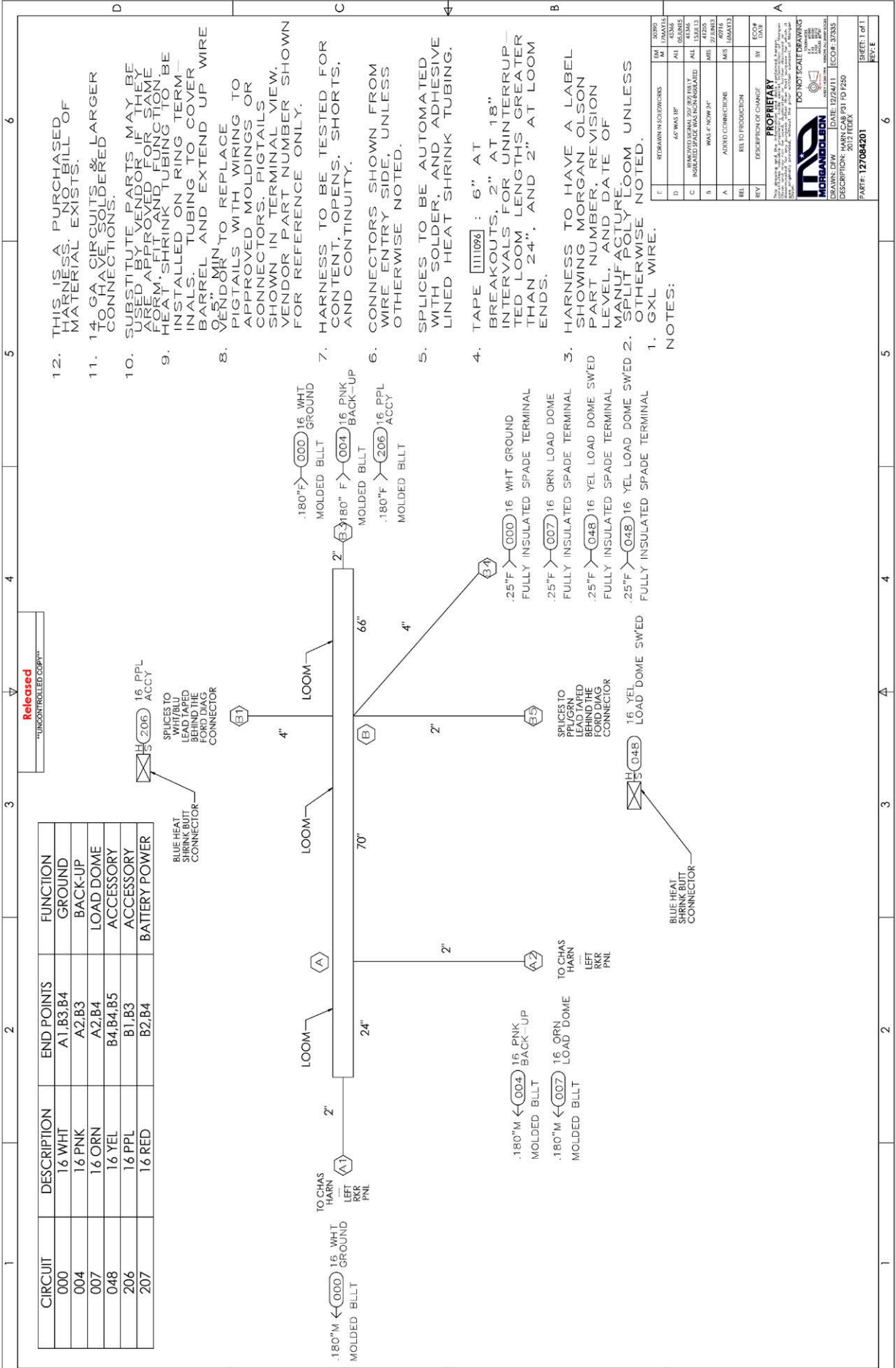
DRAWING NO.	REV	SHT
008787200	B	1 OF 1
DESCRIPTION	REV	DATE
RELEASE TO PRODUCTION	A	08/07
MOLDED BULLT TO LIC PLT W/P	B	08/11
MOLDED LENGTH TO BREAKOUTS		08/11



PROPRIETARY

This drawing is the property of Morgan Olson. It is to be used only for the purpose of manufacturing and repair. It is not to be reproduced, stored in a retrieval system, or transmitted in any form or by any means, electronic, mechanical, photocopying, recording, or by any information storage and retrieval system, without the prior written permission of Morgan Olson.

MORGAN OLSON	
GENERAL STANDARD SALES OTHERWISE NOTED	
1. UNLESS OTHERWISE SPECIFIED, ALL DIMENSIONS ARE IN INCHES.	
2. DIMENSIONS ARE TO CENTER UNLESS OTHERWISE SPECIFIED.	
3. DIMENSIONS ARE TO CENTER UNLESS OTHERWISE SPECIFIED.	
4. DIMENSIONS ARE TO CENTER UNLESS OTHERWISE SPECIFIED.	
TMC	34787
DATE	18AUG07
DATE	18AUG07
DO NOT SCALE	P31 FORD 2011
NAME	
P31 REAR LAMP HARNESS	
P31 FORD F250 '08 UPS/PEX	
DRAWING NO.	008787200
SHT	1 OF 1
SCALE	NONE
REV	B



CIRCUIT	DESCRIPTION	END POINTS	FUNCTION
000	16 WHT GROUND	A1, B3, B4	GROUND
004	16 Pnk BACK-UP	A2, B3	BACK-UP
007	16 ORN LOAD DOME	A2, B4	LOAD DOME
048	16 YEL ACCESSORY	B4, B4, B5	ACCESSORY
206	16 PPL ACCESSORY	B1, B3	ACCESSORY
207	16 RED BATTERY POWER	B2, B4	BATTERY POWER

12. THIS IS A PURCHASED HARNESS. NO BILL OF MATERIAL EXISTS.
11. 14 GA CIRCUITS & LARGER TO HAVE SOLDERED CONNECTIONS.
10. SUBSTITUTE PARTS MAY BE USED BY VENDOR IF THEY ARE APPROVED FOR SAME HEADY. SHRINK TUBING TO BE INSTALLED ON RING TERM BAREL AND EXTEND UP WIRE VERDOR TO REPLACE PIGTAILS WITH WIRING TO APPROVED MOLDINGS OR CONNECTORS. PIGTAILS SHOWN IN TERMINAL VIEW. VENDOR PART NUMBER SHOWN FOR REFERENCE ONLY.
7. HARNESS TO BE TESTED FOR CONTENT, OPENS, SHORTS, AND CONTINUITY.
6. CONNECTORS SHOWN FROM WIRE ENTRY SIDE, UNLESS OTHERWISE NOTED.
5. SPLICES TO BE AUTOMATED WITH SOLDER AND ADHESIVE LINED HEAT SHRINK TUBING.
4. TAPE 1111094 : 6" AT BREAKOUTS, 2" AT 18" INTERVALS FOR UNTETHERED LOOM LENGTHS GREATER THAN 24". AND 2" AT LOOM ENDS.
3. HARNESS TO HAVE A LABEL SHOWING MORGAN OLSON PART NUMBER, REVISION LEVEL, AND DATE OF MANUF. ACTURE. SPLIT POLY LOOM UNLESS OTHERWISE NOTED.
1. GXL WIRE.

REV	DESCRIPTION OF CHANGE	BY	DATE
1	REWORK IN CONNECTIONS	DM	1/24/16
2	46 WAS BF	AI	1/28/16
3	INSULATED SPADE WAS NON-INSULATED	ALM	1/28/16
4	WAS F-NOW R	MS	2/1/16
5	ADDED CONNECTIONS	MS	4/9/16
6	REF TO PRODUCTION	MS	1/28/16

DO NOT REWORKING
MORGAN OLSON
 HARN CAS P31 FO 2240
 DESCRIPTION: HARN CAS P31 FO 2240
 2012 FEDEX
 PART: 127084201

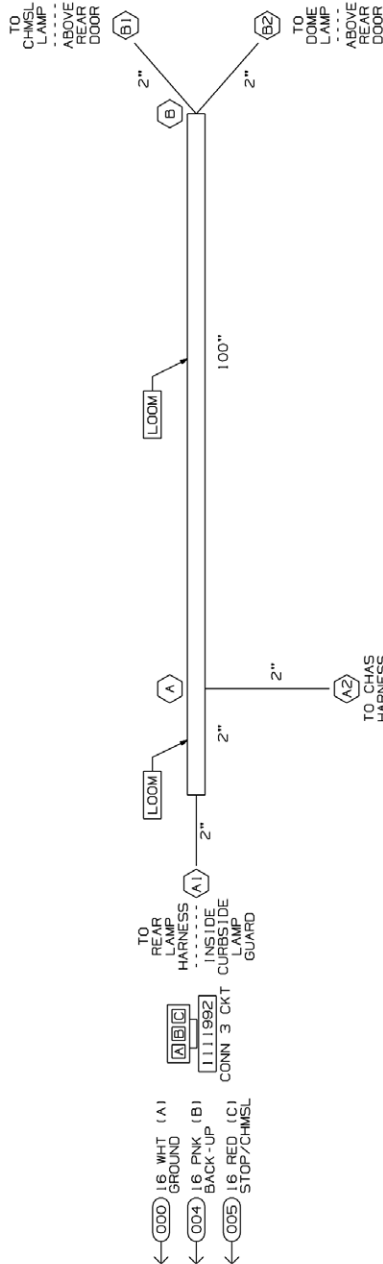
DRAWING NO.	REV	SHT
127091201	A	1 OF 1
DESCRIPTION	DATE	BY
RELEASE FOR PRODUCTION		
A BLACK WAS BROWN	DFW 3/29/09	SLANLIZ

CIRCUIT	DESCRIPTION	END POINTS	FUNCTION
000	16 WHT GROUND	A1, A2, B1, B2	GROUND
004	16 PNK BACK-UP	A1, A2	BACK-UP
005	16 RED STOP/CHMSL	A1, B1	STOP/CHMSL
007	16 ORN LOAD DOME	A2, B2	LOAD DOME

ENGINEERING NOTE:
 BULLETS AND/OR WHT LAMP NOT TO BE USED. USE OF BLACK LEAD WILL ADVERSELY AFFECT FMVSS COMPLIANCE FOR CHMSL.

- 180°F > (000) 16 WHT MOLDED BLTT GROUND
- 180°F > (005) 16 RED MOLDED BLTT STOP/CHMSL

- 180°F > (000) 16 WHT MOLDED BLTT GROUND
- 180°F > (007) 16 ORN MOLDED BLTT LOAD DOME



- CONN 3 CKT
- > (000) 16 WHT (A) GROUND
 - > (004) 16 PNK (B) BACK-UP
 - > (007) 16 ORN (C) LOAD DOME

- VENDOR TO GREASE FEMALE BULLET TERMINALS.
- THIS IS A PURCHASED HARNESS. NO BILL OF MATERIAL EXISTS.
- VENDOR MAY REPLACE PIGTAIL WITH WIRING TO APPROVED MOLDS OR CONNECTORS. PIGTAILS SHOWN IN TERMINAL VIEW.
- HARNESS TO BE TESTED FOR CONTACTS, OPEN'S, SHORTS, AND CONTINUITY.
- CONNECTORS SHOWN FROM WIRE ENTRY SIDE, UNLESS OTHERWISE NOTED.
- SPLICES TO BE AUTOMATED WITH SOLDER, AND ADHESIVE LINED HEAT SHRINK TUBING.
- TAPE [1111093]: 6" AT BREAKOUTS, 2" AT 18" INTERVALS FOR UNINTERRUPTED LOOM LENGTHS GREATER THAN 24", AND 2" AT LOOM ENDS.
- HARNESS TO HAVE A LABEL SHOWING MORGAN OLSON LEVEL NUMBER, REVISION LEVEL NUMBER, DATE OF MANUFACTURE.
- SPLIT POLY LOOM UNLESS OTHERWISE NOTED.
- GXL WIRE.

NOTES:

PROPRIETARY
 This drawing and the information and data contained herein are the property of Morgan Olson and are not to be distributed, copied, or used in any way without the express written consent of Morgan Olson.



GENERAL STANDARDS UNLESS OTHERWISE NOTED:

- TOLERANCE: ±.0000 XXX ±.0000 .XXX ±.010
- BREAK ALL SHARP EDGES AND DEBURR.
- FINISH: ALL SURFACES ARE TO BE FINISHED TO THE REQUIREMENTS OF THE APPLICABLE SPECIFICATION.
- FINISH: ALL SURFACES ARE TO BE FINISHED TO THE REQUIREMENTS OF THE APPLICABLE SPECIFICATION.

DATE	27DEC11
DATE	27DEC11
DO NOT SCALE	P31 FXE 2012

NAME: HARN TRAN DM LMP/CHMSL
 FEDEX 2012 FD F250 P31

DRAWING NO.	127091201
SCALE	NONE
REV	A

HARNESS AND LOOM TOLERANCES

UP TO 60" : -0/+2"
 60" TO 100" : -0/+4"
 100" TO 200" : -0/+5"
 200" TO 400" : -0/+6"
 400" TO 600" : -0/+7"
 OVER 600" : -0/+8"

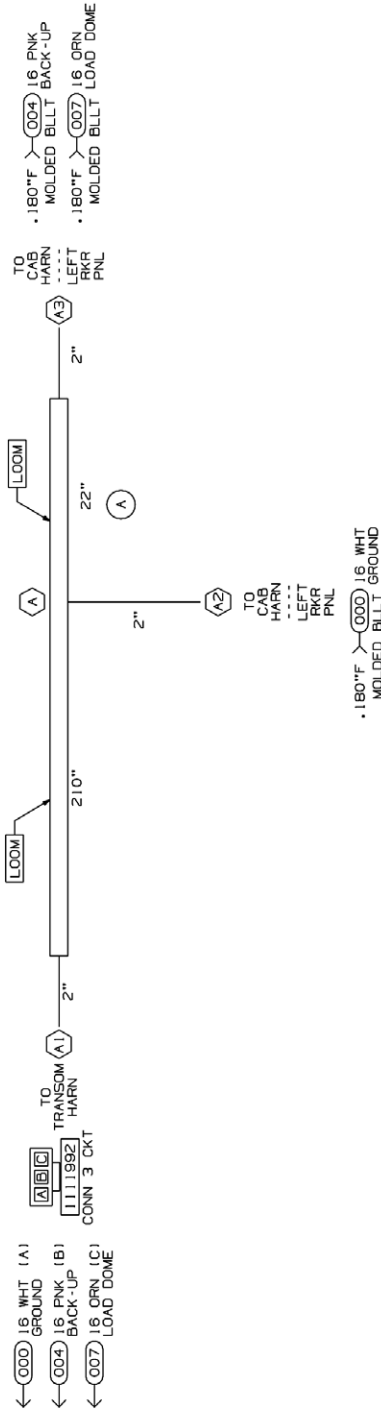
BO TO BO : -0/+2"
 LENGTHS APPLY FROM BREAKOUT TO BREAKOUT OR BREAKOUT TO WIRE ENTRY OR END OF CONECTOR, OR END OF COVER.

FIRST USED:
 JVC00651
 BLS
 008793200

DRAWING NO.	REV	SHT
127092201	A	1 OF 1
DESCRIPTION	DATE	BY
RELEASE FOR PRODUCTION		
A 22" WAS 4"		

CIRCUIT	DESCRIPTION	END POINTS	FUNCTION
000	16 WHT GROUND	A1, A2	GROUND
004	16 PNK BACK-UP	A1, A3	BACK-UP
007	16 ORN LOAD DOME	A1, A3	LOAD DOME

VENDOR TO KEEP LOOM SIZES AS SMALL AS POSSIBLE



- VENDOR MAY REPLACE GRAY WITH METAL APPLICABLE TO CONNECTORS, PLUGS, AND SHOWN IN TERMINAL VIEW.
- HARNESSES TO BE TESTED FOR CONTENT, OPENS, SHORTS, AND CONTINUITY.
- CONNECTORS SHOWN FROM WIRE ENTRY SIDE, UNLESS OTHERWISE NOTED.
- SPLICES TO BE AUTOMATED WITH SOLDER, AND ADHESIVE LINED HEAT SHRINK TUBING.
- TAPE [1111098]: 6" AT BREAKOUTS, 2" AT 18" INTERVALS FOR UNINTERRUPTED LOOM LENGTHS GREATER THAN 24", AND 2" AT LOOM ENDS.
- HARNESSES TO HAVE A LABEL SHOWING MORGAN OLSON PART NUMBER, REVISION LEVEL, AND DATE OF MANUFACTURE.
- SPLIT NYLON LOOM, BLACK WITH GRAY STRIPE, UNLESS OTHERWISE NOTED.
- GXL WIRE.

NOTES:

PROPRIETARY
This drawing is the property of Morgan Olson and shall remain confidential. It is to be used only for the purpose of manufacturing and repair of the product shown. It is not to be reproduced, stored in a retrieval system, or transmitted in any form or by any means, electronic, mechanical, photocopying, recording, or by any information storage and retrieval system, without the prior written permission of Morgan Olson.



GENERAL STANDARDS UNLESS OTHERWISE NOTED	
1. TOLERANCE: ±.000	2. BREAK ALL SHARP EDGES AND CORNERS.
3. DIMENSIONS ARE IN INCHES UNLESS OTHERWISE NOTED.	4. DIMENSIONS ARE IN MILLIMETERS UNLESS OTHERWISE NOTED.
DATE: 09AUG12	DESIGNER: JES 36967
DO NOT SCALE	DATE: 09AUG12
NAME: HARN CHAS P31 FD F250	
2012 FEDEX	
DRAWING NO.	SCALE
127092201	NONE
SHT	REV
1 OF 1	A

HARNESSES AND LOOM TOLERANCES
 UP TO 60" : -0/+2"
 60" TO 100" : -0/+4"
 100" TO 200" : -0/+5"
 200" TO 400" : -0/+6"
 400" TO 600" : -0/+7"
 OVER 600" : -0/+8"
 BO TO BO : -0/+2"
 LENGTHS APPLY FROM BREAKOUT TO BREAKOUT. OR BREAKOUT TO WIRE CENTER OF CONN. FOR OR END OF COVER.

FIRST USED:
 JY000651
 BASED ON:
 005792200

