



## PARTSCATALOG 2023



2023 MORGAN OLSON BODY  
2023 FORD F-59 CHASSIS

JV004137  
UNIT NUMBERS  
2643 - 2661



1.800.233.4823  
[WWW.MORGANOLSON.COM](http://WWW.MORGANOLSON.COM)



TABLE OF CONTENTS / VIN & UNIT NUMBERS	2
INTRODUCTION	3
CAB / ENGINE BOX	4
WINDSHIELD FRAME	5
HEATER	6-7
HOOD	8-9
STEPS	10
INSTRUMENT PANEL	11
SEATS	12
FLOOR	13
SIDES	14-15
ROOF	16
BACK	17
BULKHEAD	18
SIDE DOORS	19
SIDE DOOR POCKETS	20-21
SHELVES	22-23
REAR DOORS	24-27
DRIVER ISLAND SUPPORT & ANTI THEFT	28
BUMPERS	29
MIRRORS & WIPER ASSEMBLY	30-31
MISCELLANEOUS	32-33
ELECTRICAL	34
WALK-IN VAN COMMON FASTENERS	35-39
WIRING HARNESS	40
WIRING DIAGRAMS	41-67

Chassis VIN Number	Unit #
1F65F5KNXN0A14699	2643
1F65F5KN2N0A14700	2644
1F65F5KN4N0A14701	2645
1F65F5KNXN0A13584	2646
1F65F5KN1N0A14719	2647
1F65F5KN1N0A17474	2648
1F65F5KN3N0A17475	2649
1F65F5KN5N0A17476	2650
1F65F5KN7N0A17477	2651
1F65F5KN9N0A17478	2652
1F65F5KN0N0A17479	2653
1F65F5KN7N0A17480	2654
1F65F5KN9N0A17481	2655
1F65F5KN0N0A17482	2656
1F65F5KN2N0A17483	2657
1F65F5KN4N0A17484	2658
1F65F5KN6N0A17485	2659
1F65F5KN8N0A17486	2660
1F65F5KNXN0A17487	2661

This parts guide contains illustrations and part numbers for Community Coffee Package Delivery Cars and applies to bill of material # JV004137, produced in 2023.

This book has been divided into chapters. Each chapter has illustrations with part numbers and descriptions. Each part is pointed out to help identify it. Orientation references are from the rear of the vehicle facing forward. LH (LEFT HAND) is roadside and RH (RIGHT HAND) is curbside.

**Procedure to Order Parts**

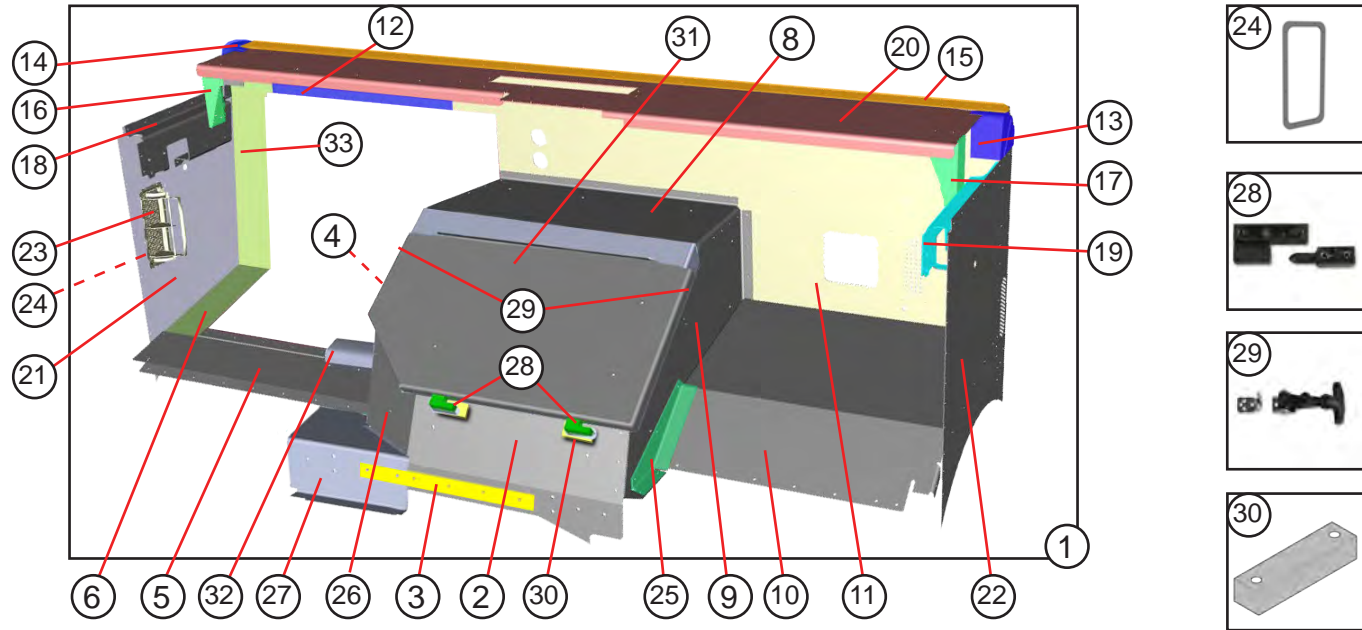
1. Depending on the part desired, turn to the appropriate section.
2. Locate the desired part on the Illustration Page(s) and note it's number.
3. Contact a Morgan Olson Service Parts Representative. Have part numbers readily available.
4. When placing orders for roll-up door parts, specify serial number of the roll-up door.

FOR WARRANTY INFORMATION CALL 1-800-262-3437

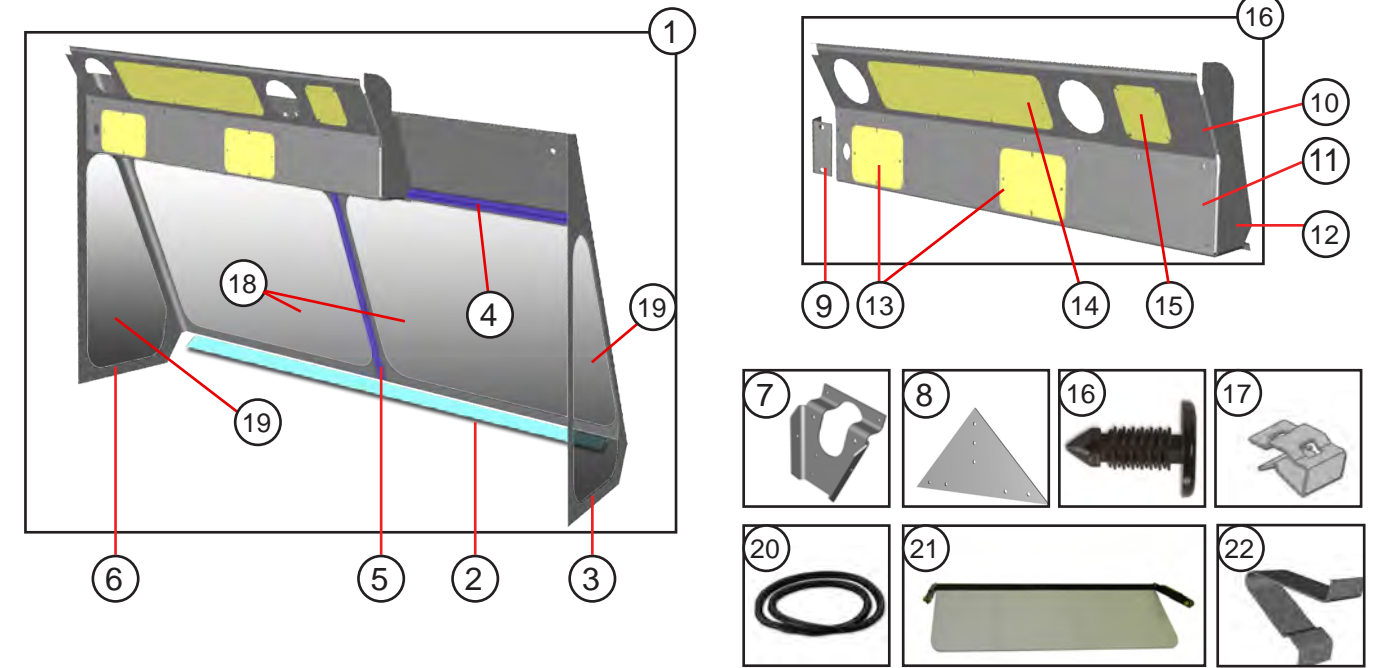
ANY QUESTIONS OR CONCERNS SHOULD BE DIRECTED TO YOUR SERVICE PARTS REPRESENTATIVE AT  
1-800-233-4823

At Morgan Olson, our quest for quality and safety is ongoing and therefore the specifications on the product described herein may vary over time.

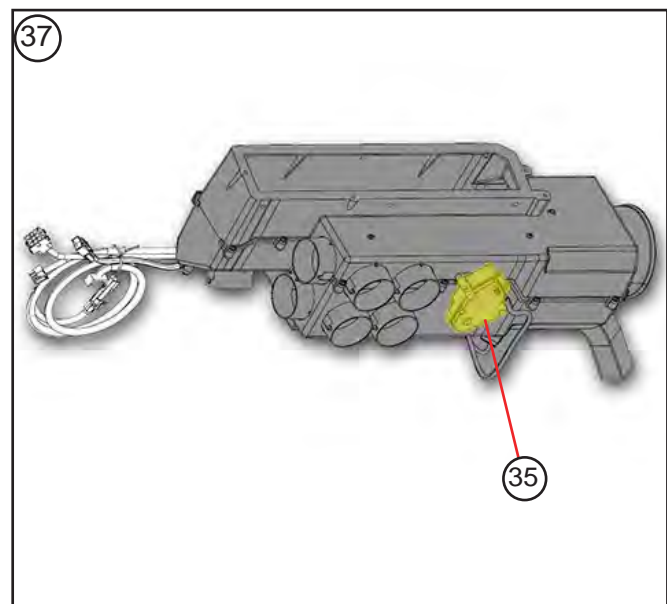
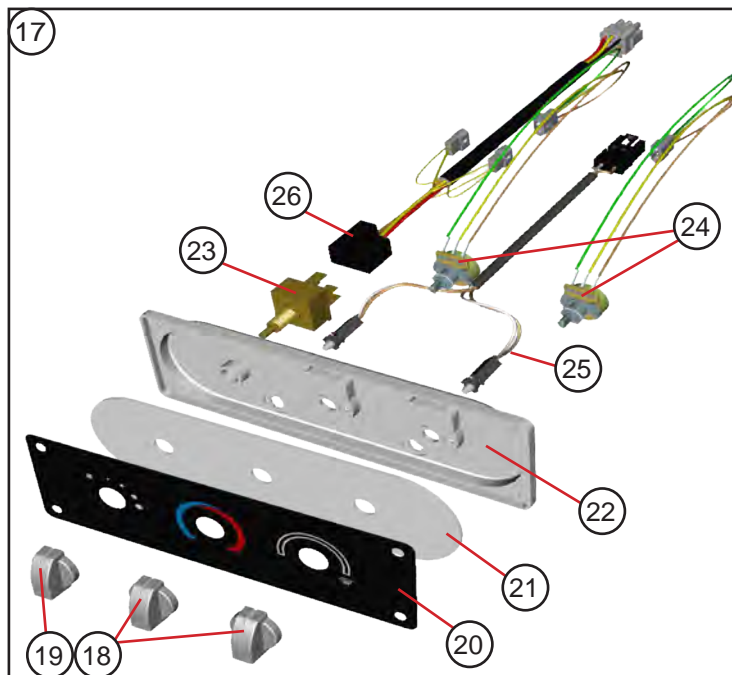
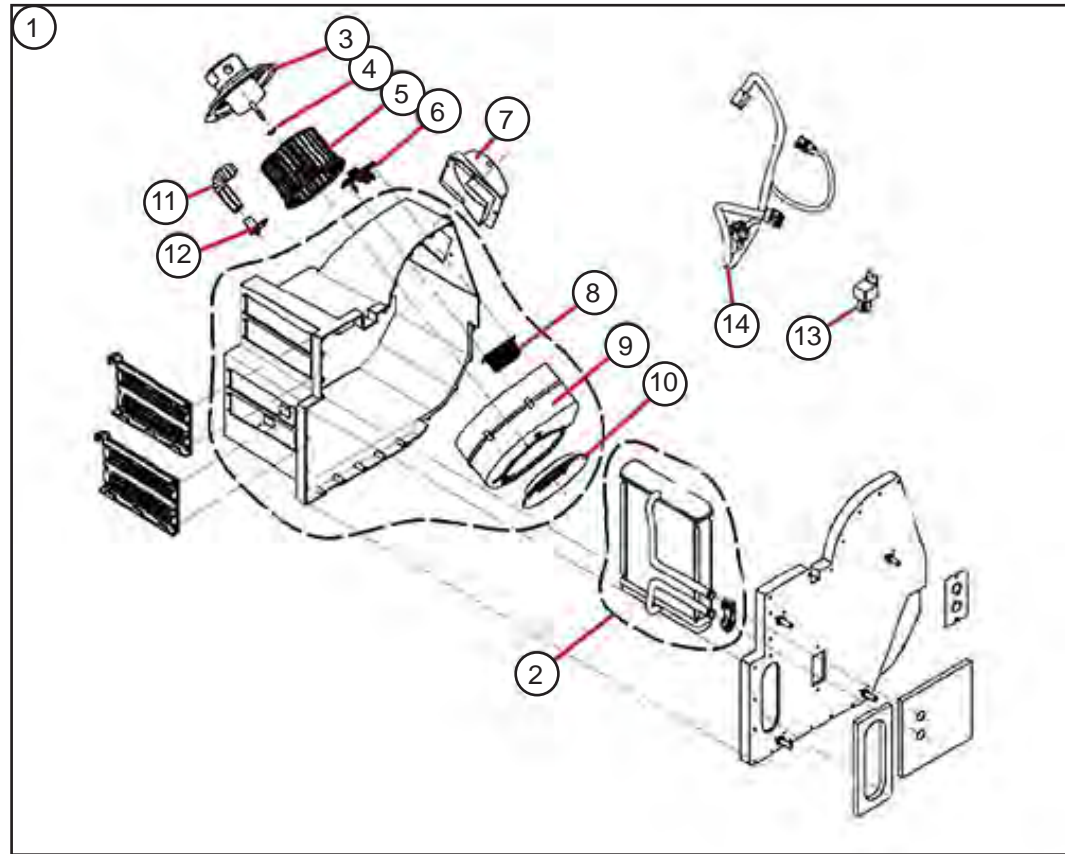
Please contact Morgan Olson for the latest product information and available safety features and options.



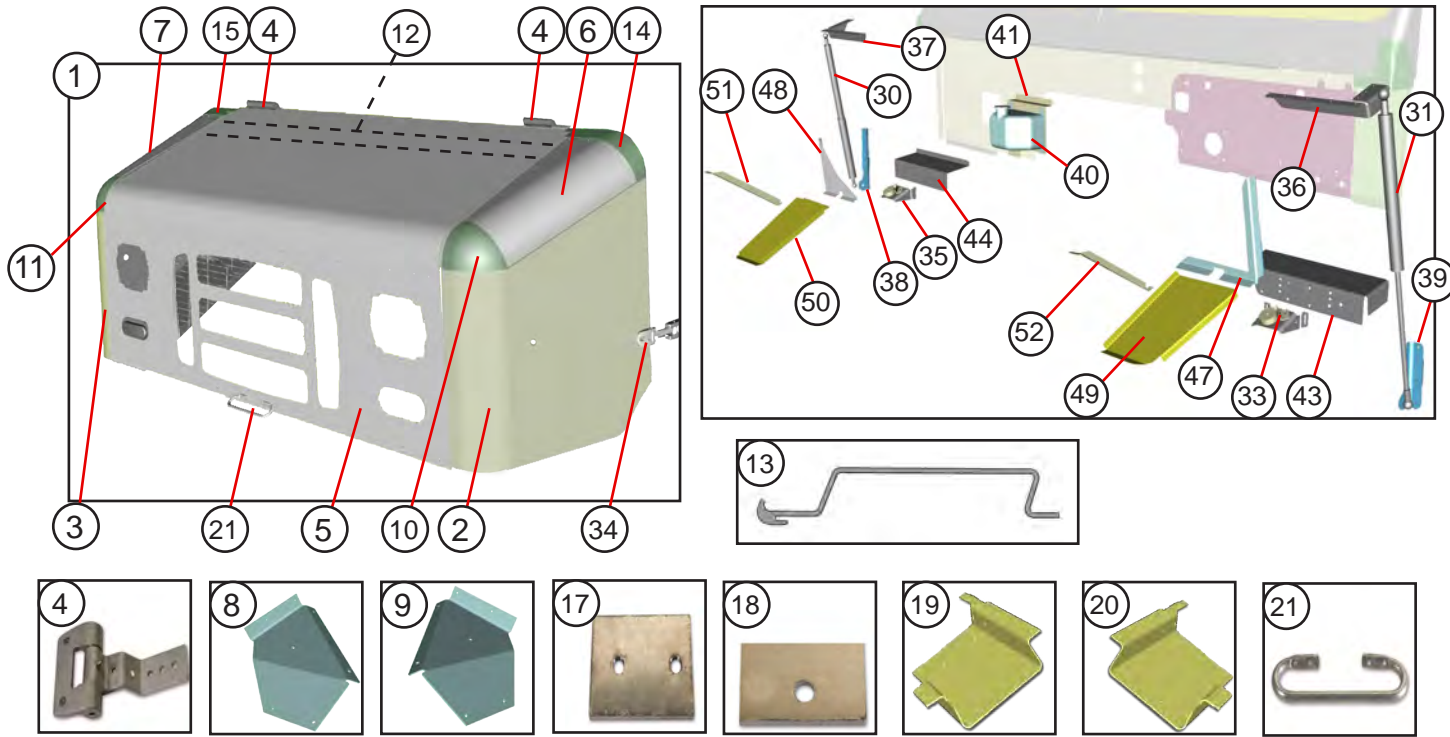
ITEM #	PART #	DESCRIPTION	QTY.	UNIT
1	<a href="#">225005211</a>	CAB ASSEMBLY	1	EA
2	<a href="#">115005404</a>	PLATE ENGINE BOX SADDLE AL .125X15.74X24.07	1	EA
3	<a href="#">077050402</a>	SHIM AL .25X1.62X20.8	1	EA
4	<a href="#">115005403</a>	ENGINE BOX SIDE ROADSIDE AL .102X19.26X27.88	1	EA
5	<a href="#">205005400</a>	TOE BOARD ROADSIDE AL .125X6.76X34.53	1	EA
6	<a href="#">195005418</a>	ADAPTOR TOE BOARD AL .102X7.24X45.63	1	EA
8	<a href="#">217005430</a>	ENGINE BOX TOP AL .125X15.88X33.04	1	EA
9	<a href="#">098005501</a>	ENGINE BOX HOUSING AL .102X20.85X32.55	1	EA
10	<a href="#">177005408</a>	TOE BOARD CURBSIDE AL .102X28.09X29.44	1	EA
11	<a href="#">217005441</a>	DASH WALL CURBSIDE AL .125X25.89X60.38	1	EA
12	<a href="#">115005401</a>	DASH PANEL D ISLAND AL .125X8.46X30.45	1	EA
13	<a href="#">8502000</a>	CORNER CASTING CURBSIDE	1	EA
14	<a href="#">8502001</a>	CORNER CASTING ROADSIDE	1	EA
15	<a href="#">083023402</a>	WINDSHIELD RAIL AL 851100X89	1	EA
16	<a href="#">177005411</a>	SUPPORT RAIL ROADSIDE AL .102X5.74X8.27	1	EA
17	<a href="#">177005412</a>	SUPPORT RAIL CURBSIDE AL .102X5.74X8.27	1	EA
18	<a href="#">217005420</a>	STIFFENER ROADSIDE AL .125X10.93X17.81	1	EA
19	<a href="#">217005421</a>	STIFFENER CURBSIDE AL .125X10.93X17.81	1	EA
20	<a href="#">093005512</a>	DASH SHELF AL .125X13.74X89	1	EA
21	<a href="#">115005417</a>	CAB SKIRT ROADSIDE AL .07X27.29X30.57	1	EA
22	<a href="#">225005410</a>	CAB SKIRT CURBSIDE AL .07X27.28X30.57	1	EA
23	<a href="#">47008545</a>	VENT 2 WAY HINGLESS	1	EA
24	<a href="#">47008548</a>	GASKET VENT	1	EA
25	<a href="#">077050406</a>	GUSSET TOE BOARD CURBSIDE AL .125X7.84X14.44	1	EA
26	<a href="#">115005409</a>	FILLER SADDLE LOWER RS AL .125X11.66X14.49	1	EA
27	<a href="#">115005408</a>	SADDLE FILLER AL .125X9.6X13.06	1	EA
28	<a href="#">47007859</a>	HINGE OFFSET	2	EA
29	<a href="#">1113336</a>	LATCH ENGIN BOX LID	2	EA
30	<a href="#">117028400</a>	SHIM ENGINE BOX	2	EA
31	<a href="#">175028400</a>	PANEL ENGINE BOX LID AL .102X20.18X32.87	1	EA
32	<a href="#">195005410</a>	CASTING TRANSITION F59 2020	1	EA



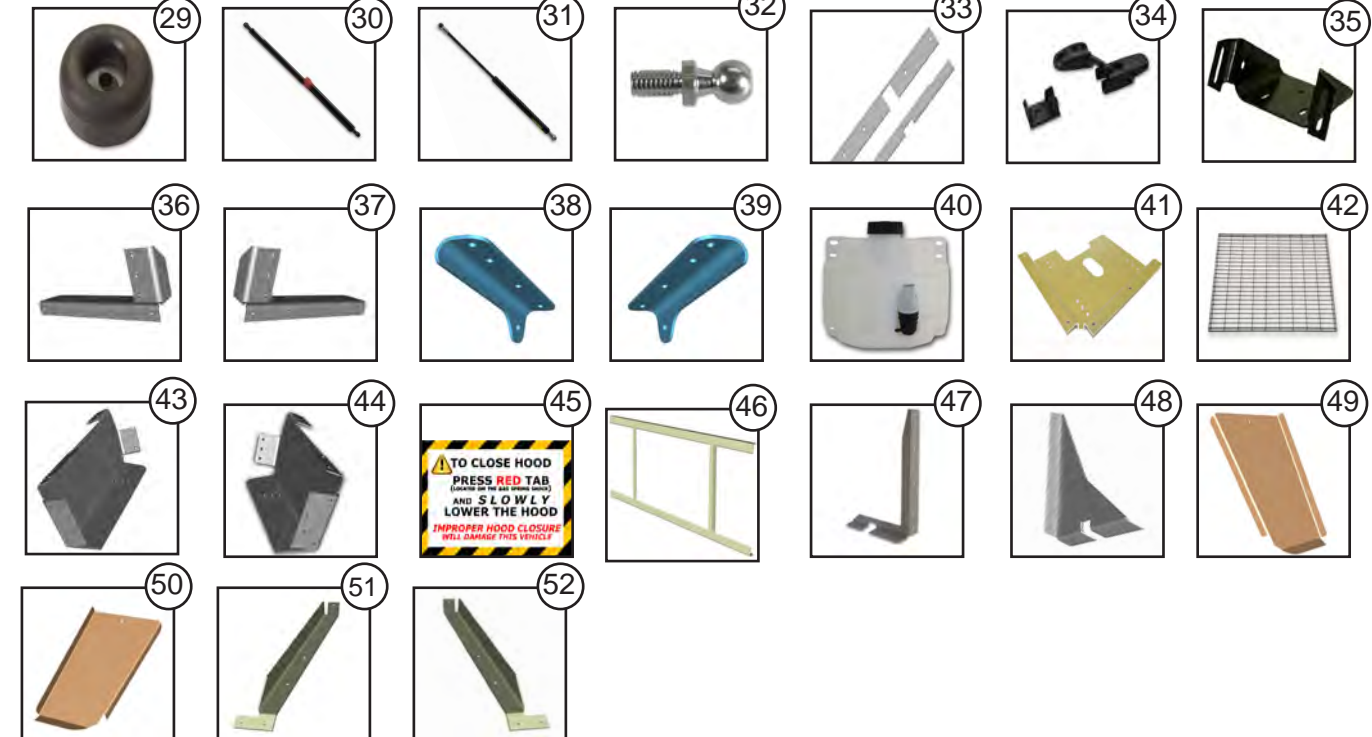
ITEM #	PART #	DESCRIPTION	QTY.	UNIT
1	<a href="#">177055200</a>	WINDSHIELD ASSEMBLY 85H93W NO VENT	1	EA
2	<a href="#">083023402</a>	WINDSHIELD RAIL (SEE PAGE 4 ITEM 15)	1	EA
3	<a href="#">177055401</a>	FRAME W/S AL .102X53.45X70.25 CURBSIDE	1	EA
4	<a href="#">077055404</a>	STIFFENER W/S AL 450540X44.25	2	EA
5	<a href="#">077055401</a>	POST W/S CENTER AL 450540X44.84	1	EA
6	<a href="#">177055400</a>	FRAME WINDSHEILD ROADSIDE	1	EA
7	<a href="#">077055402</a>	GUSSET FRAME W/S AL .125X6.49X7.27	1	EA
8	<a href="#">998555329</a>	GUSSET FRAME W/S AL .125X4.6X9.19	1	EA
9	<a href="#">088076449</a>	BRACKET, MOUNTING	1	EA
10	<a href="#">097076488</a>	COVER WIPER MOTOR UPPER	1	EA
11	<a href="#">097076476</a>	SHELF LOWER	1	EA
12	<a href="#">097076461</a>	COVER WIPER CURBSIDE	1	EA
13	<a href="#">097076436</a>	PLATE COVER	2	EA
14	<a href="#">097076435</a>	PLATE COVER	1	EA
15	<a href="#">097076437</a>	PLATE COVER	1	EA
16	<a href="#">47006610</a>	CLIP PUSH IN .45HEADX.64	52	EA
17	<a href="#">46021115</a>	CLIP LARGE BODY PAN	1	EA
18	<a href="#">96756400</a>	GLASS WINDSHIELD	2	EA
19	<a href="#">006756400</a>	GLASS SIDE TRIANGLE	2	EA
20	<a href="#">44004303</a>	WEATHER STRIPPING LS-1660 X147.5	2	EA
20	<a href="#">44004309</a>	WEATHER STRIPPING LS-1660 X86.25	2	EA
21	<a href="#">47005504</a>	SUN VISOR	2	EA
22	<a href="#">090061400</a>	BRACKET SUN VISOR CURBSIDE	1	EA
NS	<a href="#">1109001</a>	INSULATION FIBERGLASS 1X48X7.25FT	1	FT
NS	<a href="#">118011402</a>	LINER ROOF CAB 452100X37.12X86.75	1	EA
NS	<a href="#">100011400</a>	POLYESTER FILL ROOF LINER 4X22.5	1	EA



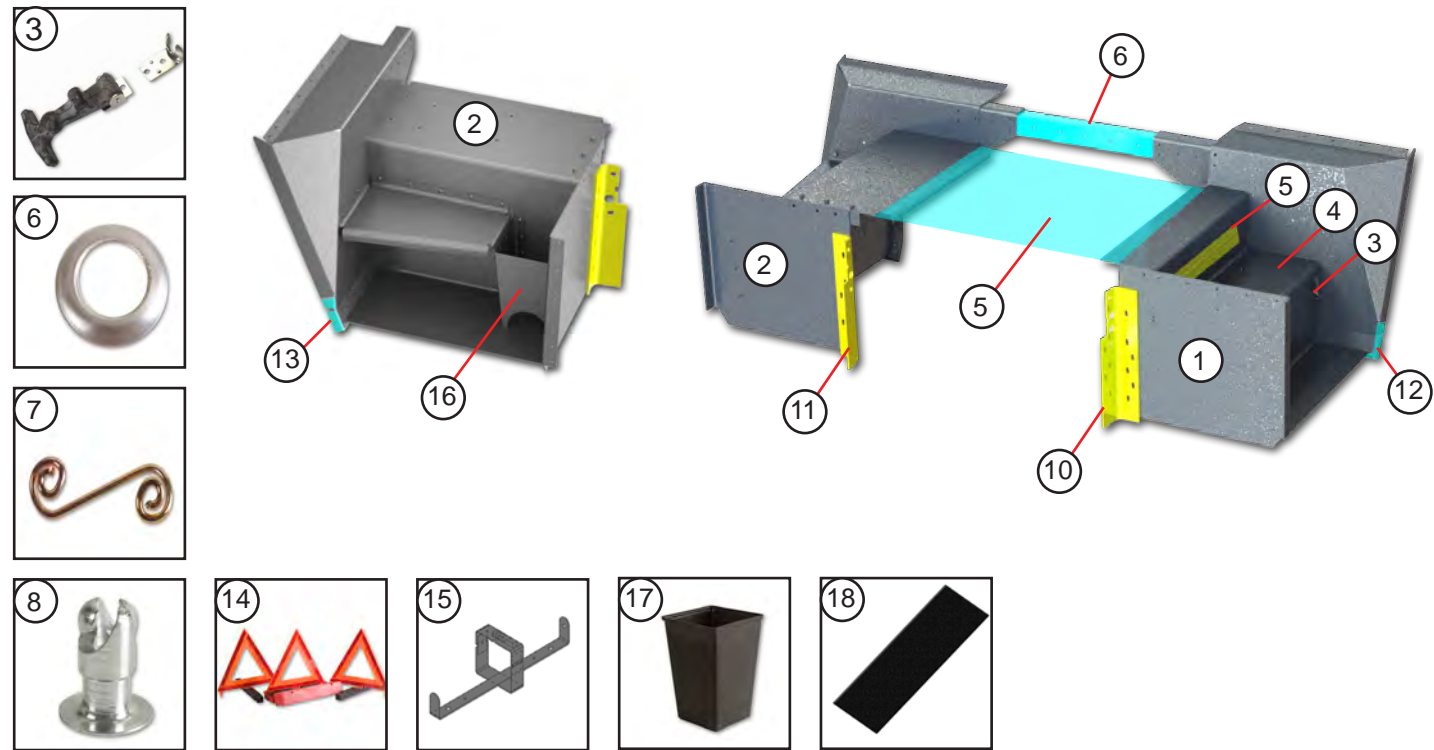
ITEM #	PART #	DESCRIPTION	QTY	UNIT
1	<a href="#">555001018</a>	HEATER ASSEMBLY	1	EA
2	<a href="#">47008797</a>	HEATER COIL W/GASKET	1	EA
3	<a href="#">46032339</a>	BLOWER MOTOR	1	EA
4	<a href="#">47008799</a>	CLIP	1	EA
5	<a href="#">47008769</a>	BLOWER WHEEL	1	EA
6	<a href="#">47008357</a>	RESISTER	1	EA
7	<a href="#">47008800</a>	HOSE ADAPTER	1	EA
8	<a href="#">47008795</a>	RESISTER CAGE	1	EA
9	<a href="#">47008794</a>	BLOWER HOUSING	1	EA
10	<a href="#">47008796</a>	VENTURI RING	1	EA
11	<a href="#">47008730</a>	VENT TUBE	1	EA
12	<a href="#">47008731</a>	VENT TUBE ADAPTER	1	EA
13	<a href="#">47008716</a>	RELAY	1	EA
14	<a href="#">47008758</a>	HARNESS	1	EA
15	<a href="#">47008691</a>	FORMED HEATER HOSE 9.25"	2	EA
16	<a href="#">555002057</a>	VALVE WATER	1	EA
17	<a href="#">555001413</a>	CONTROL PANEL ASSEMBLY	1	EA
18	<a href="#">47008706</a>	KNOB	2	EA
19	<a href="#">47008735</a>	KNOB	1	EA
20	<a href="#">47008707</a>	DECAL	1	EA
21	<a href="#">47008708</a>	LIGHT PANEL	1	EA
22	<a href="#">47008709</a>	CONTROL SUB PANEL	1	EA
23	<a href="#">46023202</a>	BLOWER SWITCH	1	EA
24	<a href="#">47008710</a>	POTENTIOMETER SWITCH	2	EA
25	<a href="#">47008711</a>	HARNESS ILLUMINATION W/BULBS	1	EA
26	<a href="#">47008712</a>	HARNESS BLOWER MOTOR SWITCH	1	EA
27	<a href="#">555001723</a>	DEFROST DUCT CURBSIDE METAL	1	EA
28	<a href="#">555001724</a>	DEFROST DUCT ROADSIDE METAL	1	EA
29	<a href="#">093080400</a>	HOLD DOWN PLATE DEFROSTER DUCTS	4	EA
30	<a href="#">555001524</a>	HOSE DEFROSTER 2.5X30 @ FOOT DUMP	1	EA
30	<a href="#">555001525</a>	HOSE DEFROSTER 2.5X38	2	EA
30	<a href="#">555001526</a>	HOSE DEFROSTER 2.5X25	1	EA
31	<a href="#">555001715</a>	LOUVER BALL	6	EA
32	<a href="#">555001533</a>	HOSE BLOWER HEATER / DEFROSTER 5 X 7.5"	1	EA
33	<a href="#">555001523</a>	HOSE DEFROSTER 2.5X16	1	EA
34	<a href="#">47008016</a>	CONNECTOR STRAIGHT .62ID AL	2	EA
35	<a href="#">47008705</a>	ACTUATOR MOTOR	1	EA
36	<a href="#">44001004</a>	HOSE HEATER HI-TEMP	1	FT
37	<a href="#">555001330</a>	PLENUM DUCT HVAC	1	EA
38	<a href="#">220063400</a>	BRACKET - MOUNTING WATER VALVE	1	EA
39	<a href="#">200027500</a>	BRACKET FOOT DUMP	1	EA
40	<a href="#">217005433</a>	BRACKET - AIR INTAKE	1	EA
41	<a href="#">217005437</a>	PLATE COVER - AIR INTAKE	1	EA



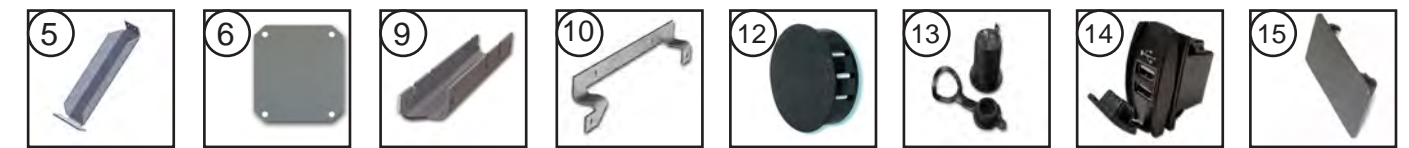
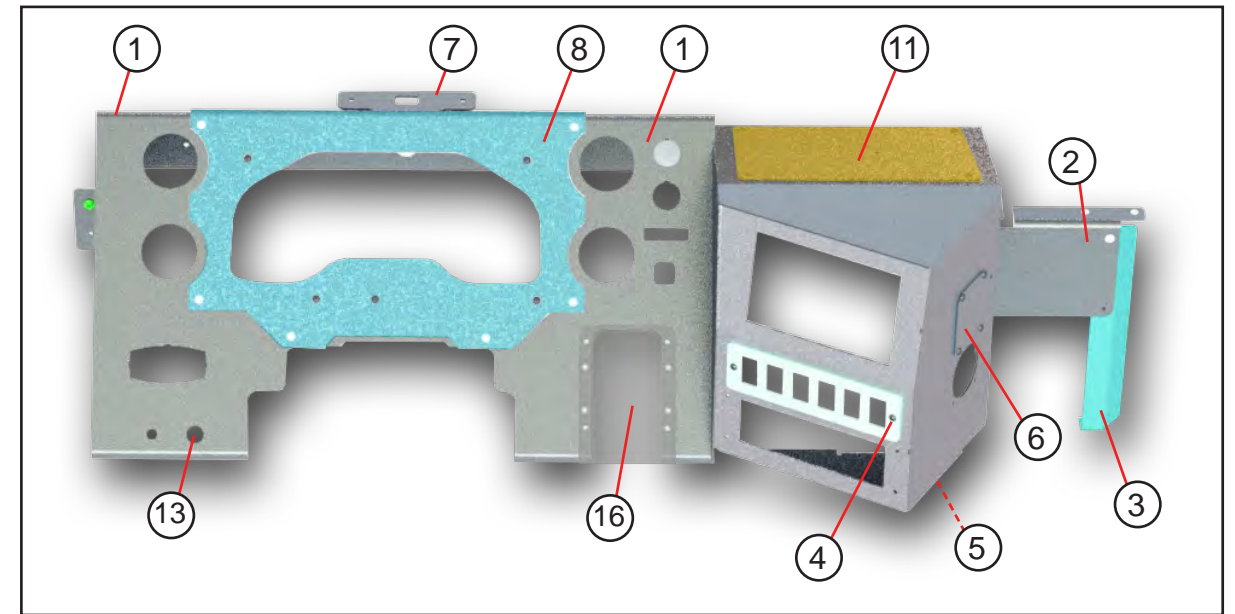
ITEM #	PART #	DESCRIPTION	QTY.	UNIT
1	<a href="#">115017001</a>	HOOD INSTILLATION	1	EA
2	<a href="#">088017414</a>	HOOD SKIRT AL .07X30.78X33.11 ROADSIDE	1	EA
3	<a href="#">088017415</a>	HOOD SKIRT AL .07X30.78X33.11 CURBSIDE	1	EA
4	<a href="#">47007852</a>	HINGE ASSEMBLY	2	EA
5	<a href="#">115017400</a>	PANEL HOOD FCC AL .07X53.36X72	1	EA
6	<a href="#">088017416</a>	COWL HOOD ROADSIDE AL .07X15.91X22.28	1	EA
7	<a href="#">088017417</a>	COWL HOOD CURBSIDE AL .07X15.91X22.28	1	EA
8	<a href="#">95817312</a>	GUSSET CORNER ROADSIDE AL .07X13.52X14.72	1	EA
9	<a href="#">95817313</a>	GUSSET CORNER CURBSIDE AL .07X13.52X14.72	1	EA
10	<a href="#">45100057</a>	CORNER CAST KNEE COWL FRONT ROADSIDE	1	EA
11	<a href="#">45100058</a>	CORNER CAST KNEE COWL FRONT CURBSIDE	1	EA
12	<a href="#">088017420</a>	STIFFENER HOOD AL 450015X68.62	1	EA
13	<a href="#">45001500</a>	BRACKET HOOD AL HD X69.77	1	EA
14	<a href="#">45100060</a>	CAP COWL END ROADSIDE	1	EA
15	<a href="#">45100061</a>	CAP COWL END CURBSIDE	1	EA
17	<a href="#">91617304</a>	PLATE TAP AL .188X2X2.69	2	EA
18	<a href="#">96717312</a>	SHIM AL .125X.62X1.88	2	EA
19	<a href="#">115017403</a>	STIFFENER HOOD ROADSIDE	1	EA
20	<a href="#">115017404</a>	STIFFENER HOOD CURBSIDE	1	EA
21	<a href="#">90187300</a>	GRAB HANDLE .5DIA X15.7	1	EA
NS	<a href="#">088017423</a>	ANGLE SUPPORT GRILLE 450186X69.62	1	EA
NS	<a href="#">088017421</a>	SUPPORT GRILLE ANGLE 450180X22.8	2	EA
NS	<a href="#">088017441</a>	ANGLE HORZ 450186X69.62	1	EA
NS	<a href="#">44004077</a>	SEAL TAPE #1458BTXFT	6.33	FT



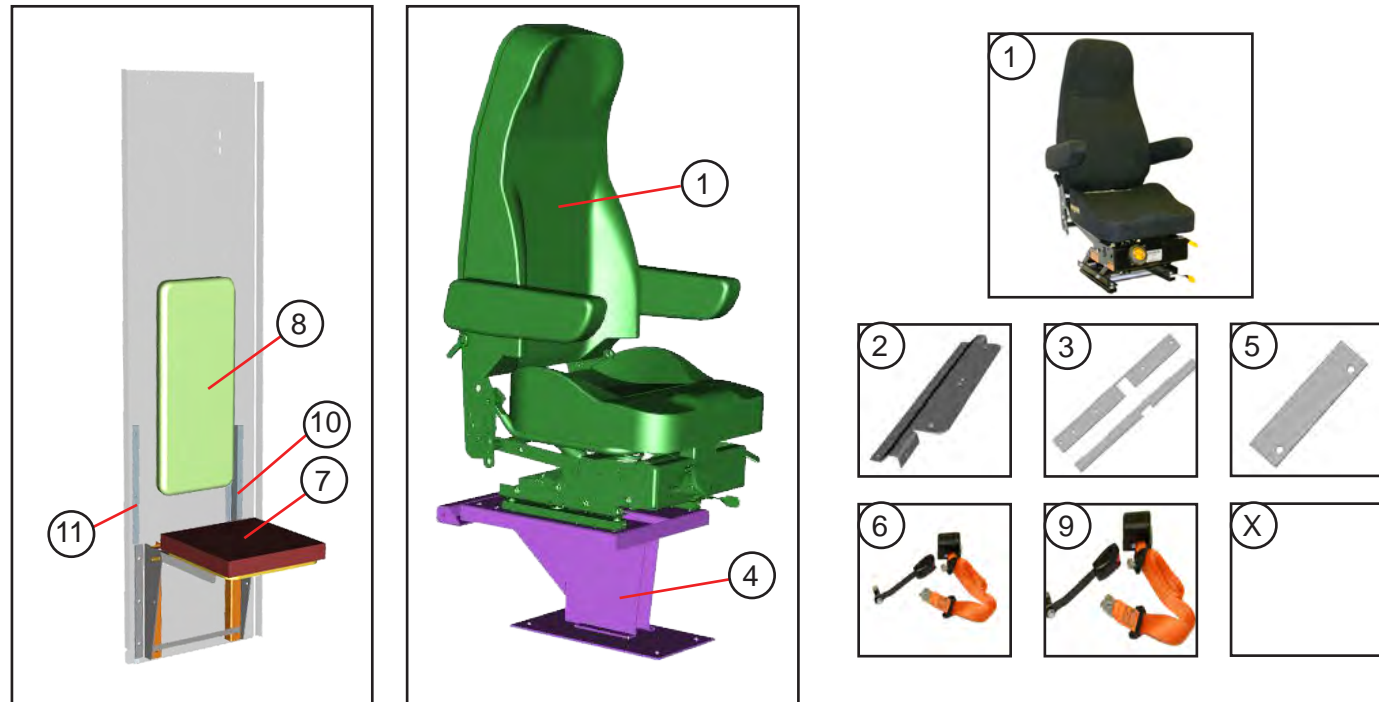
ITEM #	PART #	DESCRIPTION	QTY.	UNIT
29	<a href="#">44002004</a>	BUMPER RUBBER HOOD REST	2	EA
30	<a href="#">47006116</a>	GAS SPRING WITH LOCK 140LB 20/12 IGS	1	EA
31	<a href="#">47006117</a>	GAS SPRING WITH OUT LOCK 140LB 20/12 IGS	1	EA
32	<a href="#">40900019</a>	STUD BALL SUSPENSION	4	EA
33	<a href="#">96713300</a>	STOP ANGLE HOOD REST	2	EA
34	<a href="#">47000614</a>	LATCH HOOD	2	EA
35	<a href="#">077150400</a>	BRACKET SUPPORT HOOD REST	2	EA
36	<a href="#">124016401</a>	BRACKET GAS SPRING AL .125X3.6X16.48 ROADSIDE	1	EA
37	<a href="#">124016402</a>	BRACKET GAS SPRING AL .125X3.6X16.48 CURBSIDE	1	EA
38	<a href="#">124016403</a>	BRACKET HOOD LOWER AL .188X2.85X6.4 CURBSIDE	1	EA
39	<a href="#">124016404</a>	BRACKET HOOD LOWER AL .188X2.85X6.4 ROADSIDE	1	EA
40	<a href="#">47004507</a>	WASHER BOTTLE WITH PUMP	1	EA
41	<a href="#">210063400</a>	WASHER BOTTLE MOUNTING PLATE	1	EA
42	<a href="#">45700101</a>	MESH GRILL 20.5X38.81	1	EA
43	<a href="#">115026400</a>	SPLASH PAN ROADSIDE	1	EA
44	<a href="#">077260404</a>	SPLASH PAN CURBSIDE	1	EA
45	<a href="#">43000903</a>	HOOD PROPER INSTRUCTIONS LABEL	1	EA
46	<a href="#">088017255</a>	SUPPORT ASSEMBLY GRILL	1	EA
47	<a href="#">167017416</a>	SUPPORT SPLASH PAN AL .102X16.07X16.83	1	EA
48	<a href="#">088017436</a>	SUPPORT SPLASH PAN AL .102X16.07X16.83	1	EA
49	<a href="#">115017401</a>	SPLASH PAN AL .102X18X26.95 ROADSIDE	1	EA
50	<a href="#">088017425</a>	SPLASH PAN AL .102X19.93X26.95 CURBSIDE	1	EA
51	<a href="#">088017437</a>	STRAP AL .125X2.98X25.76 ROADSIDE	1	EA
52	<a href="#">088017438</a>	STRAP AL .125X2.98X25.76 CURBSIDE	1	EA
NS	<a href="#">44004077</a>	SEAL TAPE #1458BTXFT	4.42	FT



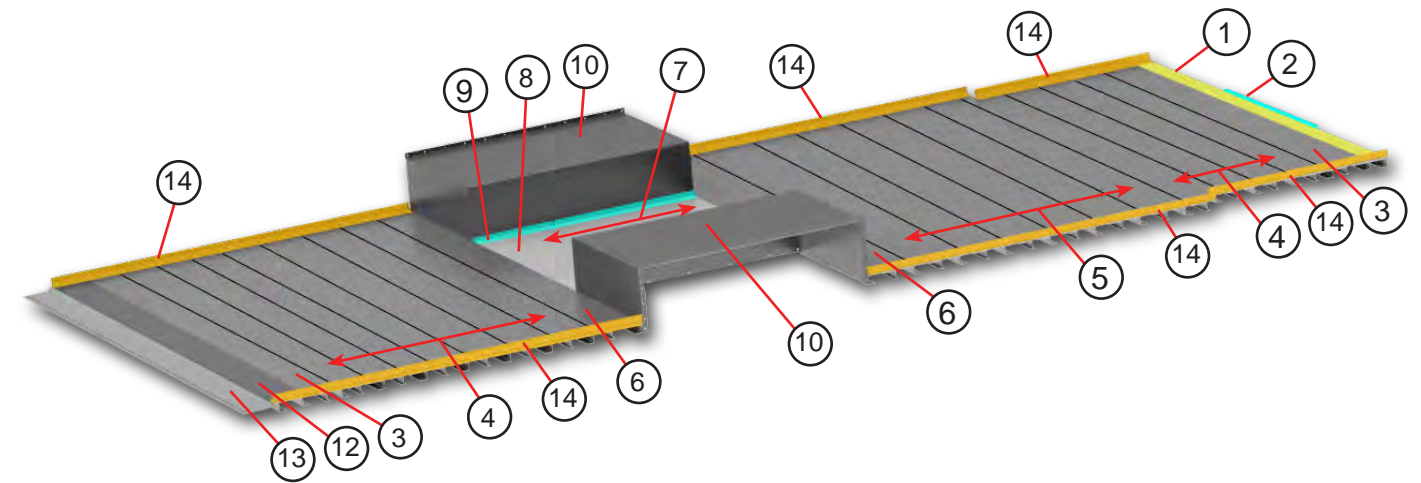
ITEM #	PART #	DESCRIPTION	QTY.	UNIT
1	<a href="#">165024220</a>	STEP ASSEMBLY RH	1	EA
2	<a href="#">165024221</a>	STEP ASSEMBLY LH	1	EA
3	<a href="#">1113334</a>	LATCH STEPS	2	EA
4	<a href="#">115024411</a>	BATTERY LID ALD .125X22.25X22.78	1	EA
5	<a href="#">006324498</a>	HINGE AL .075X1.12X1.75X21	1	EA
6	<a href="#">105024209</a>	FLOOR TRANSVERSE ALD .125X26.13X30.88	1	EA
7	<a href="#">40900081</a>	GROMMET HALF	7	EA
8	<a href="#">40900082</a>	SPRING	7	EA
9	<a href="#">40900080</a>	STUD	7	EA
10	<a href="#">205024433</a>	ANGLE COMPRESSION RH AL .25X6.22X18.5	1	EA
11	<a href="#">165024412</a>	ANGLE COMPRESSION LH AL .25X6.22X18	1	EA
12	<a href="#">084024415</a>	RISER STEP FILLER RH AL .125X4.03X4.87	1	EA
13	<a href="#">107024416</a>	RISER STEP FILLER LH AL .125X4.03X4.87	1	EA
14	<a href="#">47009547</a>	EMERGENCY TRIANGLE KIT	1	EA
15	<a href="#">47009548</a>	BRACKET TRIANGLE	1	EA
16	<a href="#">077240433</a>	BRACKET TRASH HOLDER AL .125X11.78X16.37	1	EA
17	<a href="#">45200051</a>	TRASH BIN	1	EA
18	<a href="#">96724608</a>	DAMPENING PAD 45200007X9X20	1	EA



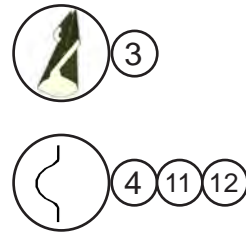
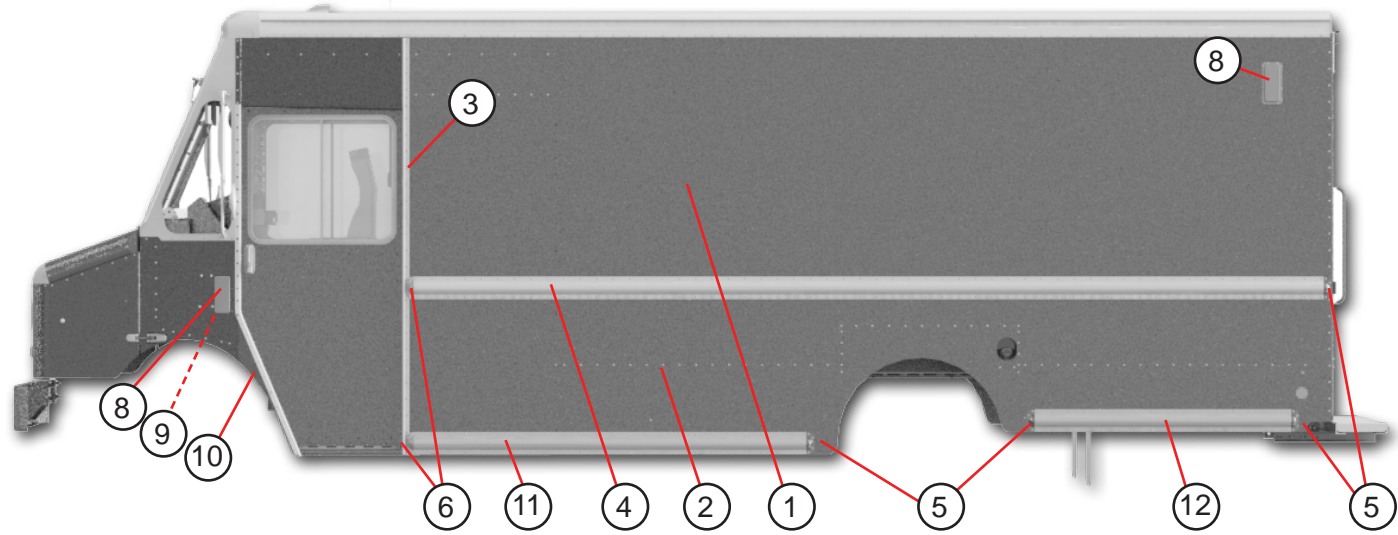
ITEM #	PART #	DESCRIPTION	QTY.	UNIT
1	<a href="#">205027205</a>	INSTRUMENT PANEL WELDMENT FORD F-59	1	EA
2	<a href="#">114027403</a>	BRACKET MOUNTING AL .125X6.49X8.51	1	EA
3	<a href="#">118027414</a>	BRACE AL .125X1.91X12.9	1	EA
4	<a href="#">118027417</a>	PLATE ROCKER SWITCH AL .102X2.50X8.75	1	EA
5	<a href="#">125027407</a>	BRACKET I/P AL .102X4.32X11.06	1	EA
6	<a href="#">180027410</a>	PLATE COVER HVAC AL .102X3X3.46	1	EA
7	<a href="#">187027412</a>	ANGLE MOUNTING SENSOR AL .102X3.95X6.63	1	EA
8	<a href="#">187027415</a>	PLATE FACE IP AL .102X11.99X18.39	1	EA
9	<a href="#">187027416</a>	IP CLUSTER MOUNT AL .102X3.33X14.13	1	EA
10	<a href="#">187027417</a>	IP CLUSTER MOUNT AL .102X2.67X14	1	EA
11	<a href="#">218027400</a>	PLATE ACCESS COVER RADIO AL .102X9X11	1	EA
12	<a href="#">44000117</a>	HOLE PLUG BLACK #2703	1	EA
12	<a href="#">44000120</a>	HOLE PLUG BLACK DP-1000	1	EA
13	<a href="#">46026378</a>	RECEPTICLE 12V POWER W/ TETHER	2	EA
14	<a href="#">46026432</a>	POWER POINT USB 5V OUTPUT	1	EA
15	<a href="#">46023506</a>	HOLE PLUG SWITCH	3	EA
16	<a href="#">180027411</a>	PLATE COVER SHIFTER	1	EA
NS	<a href="#">165027400</a>	PLATE COVER - SINGLE DIN	1	EA



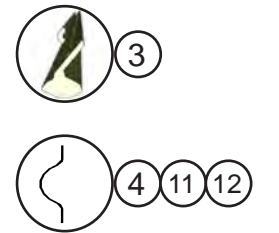
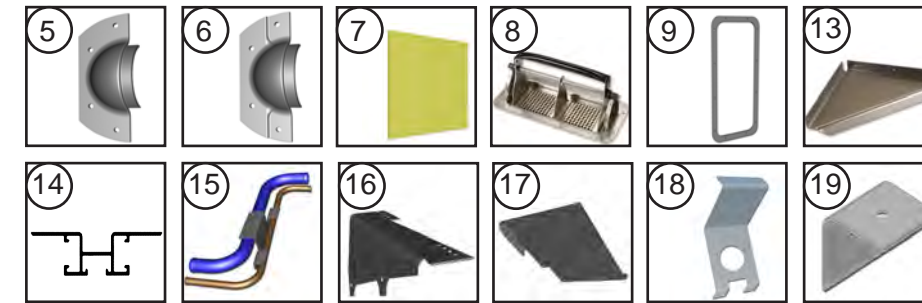
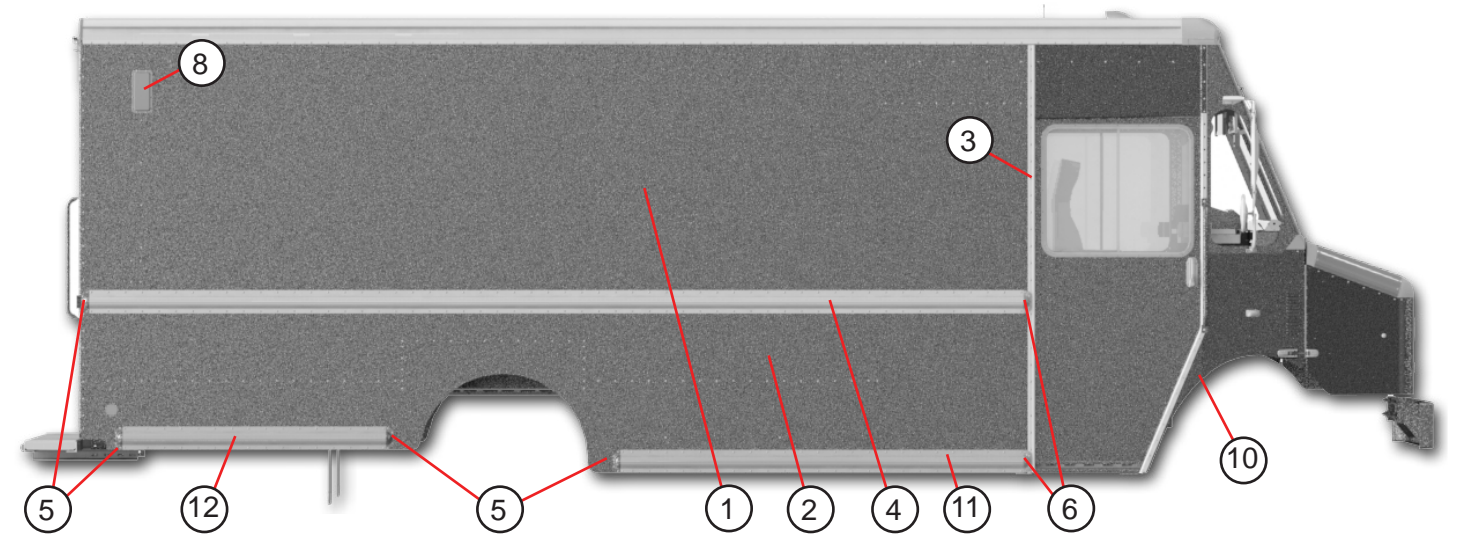
ITEM #	PART #	DESCRIPTION	QTY.	UNIT
1	<a href="#">47004301</a>	SEAT HIGH BACK MAG200 W/ARMS	1	EA
2	<a href="#">005754400</a>	BRACKET ANCHOR STL 7GAX7.24X25.75	1	EA
3	<a href="#">91614300</a>	ANGLE AL FLOOR .188X2.84X19.1	1	EA
4	<a href="#">47012668</a>	SEAT SOC/PEDESTAL FRE 3PNT NTLT LH	1	EA
5	<a href="#">128024410</a>	BASE REINFORCEMENT STEEL 12GAX2X8	1	EA
6	<a href="#">47004366</a>	S/BELT BLK W/BOOT ORANGE MTG 3PNT	1	EA
7	<a href="#">47002701</a>	SEAT TFTX BLACK JUMP FOLDING 16IN CTR	1	EA
8	<a href="#">47002702</a>	SEAT HEAD BACK/REST TFTX BLK .5X27	1	EA
9	<a href="#">48007902</a>	SEAT BELT W/7" D LOOP 3PNT ORANGE	1	EA
10	<a href="#">113069401</a>	STIFFENER JUMP SEAT ZEE AL 450043X24.5 RH	1	EA
11	<a href="#">113069402</a>	STIFFENER JUMP SEAT ZEE AL 450043X24.5 LH	1	EA



ITEM #	PART #	DESCRIPTION	QTY	UNIT
1	<a href="#">083033508</a>	BEAM FLOOR @ O/LINE AL 450088X86.38	1	EA
2	<a href="#">125031401</a>	ANGLE STEP @ O/LINE BEAM AL 450187X33.88	1	EA
3	<a href="#">45051015</a>	BEAM FLOOR AL FEM-LAP 7X94.19	2	EA
4	<a href="#">45040214</a>	BEAM FLOOR AL M-FEM 8X94.19	10	EA
5	<a href="#">45040103</a>	BEAM FLOOR AL M-FEM 9X92.19	6	EA
6	45040508	BEAM FLOOR AL M-FEM 8.5X94.19	2	EA
7	<a href="#">45040101</a>	BEAM FLOOR 9" SM AL 450401X81.1 (CUT TO 40.62")	2	EA
8	95869304	BEAM FLOOR W/BX 8" AL 450407X40.6	1	EA
9	<a href="#">95869302</a>	ANGLE WHEEL BOX ATTACH AL 450018X44	2	EA
10	<a href="#">95869202</a>	WHEEL BOX ASSEMBLY 93W 10" DW AL .102 KBK	2	EA
11	45040508	BEAM FLOOR AL M-FEM 8.5X94.19	1	EA
12	<a href="#">088033401</a>	PLATE FILLER REAR AL .125X6.68X92.38	1	EA
13	<a href="#">45059200</a>	DROP SILL AL FLOOR 1.88X92.69 45 RMP	1	EA
14	<a href="#">45030300</a>	ANGLE FLOOR TO SIDE ATTACH X241"	1.46	EA

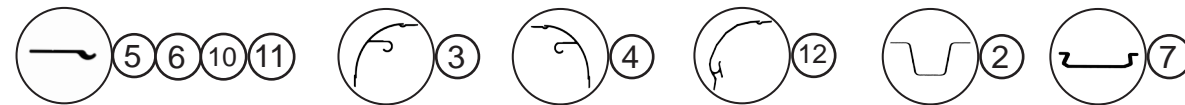
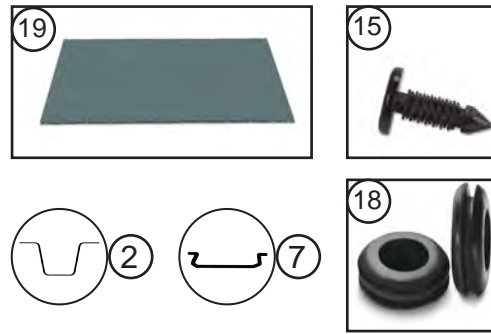
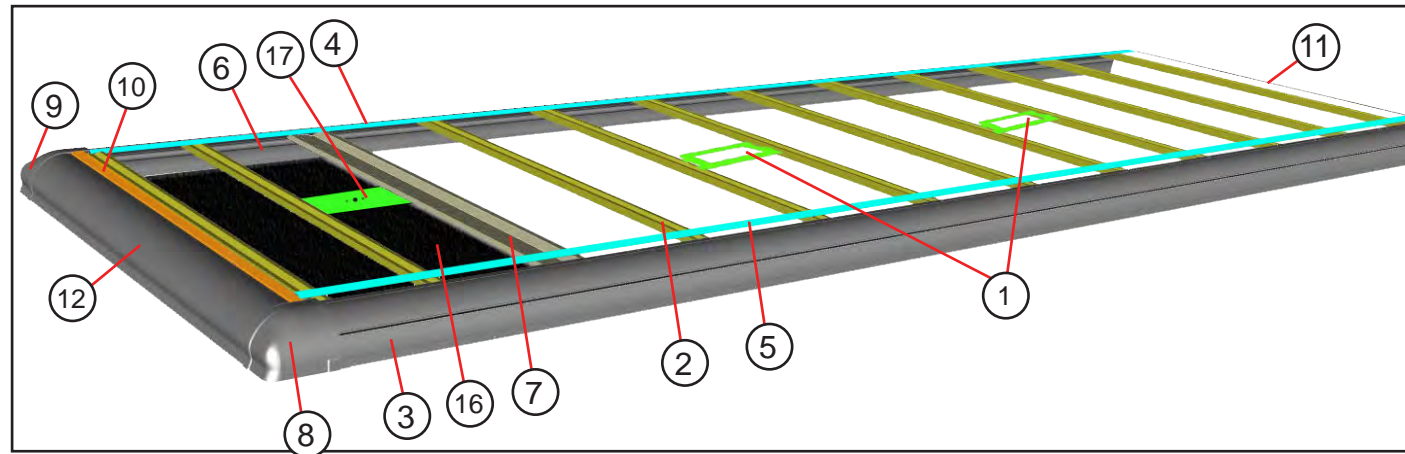


ITEM #	PART #	DESCRIPTION	QTY	UNIT
1	<a href="#">198038446</a>	SIDE UPPER AL .102X60X225.31 LH/RH	1	EA
2	<a href="#">198037483</a>	SIDE LOWER AL .102X37.5X225.31 LH	1	EA
3	<a href="#">107400400</a>	POST B AL 450274X99.62 LH	1	EA
4	<a href="#">088039307</a>	RUB/RAIL AL 450002X221	1	EA
5	<a href="#">1100799</a>	END CAP REAR FL AL .125X2.37X5.5	4	EA
6	<a href="#">1100800</a>	END CAP FORWARD AL .125X2.37X5.5	2	EA
7	<a href="#">7600165</a>	PLATE FILLER RUB/RAIL AL .125X2.88X3	1	EA
8	<a href="#">47008545</a>	VENT AL 2WAY HINGLESS	2	EA
9	<a href="#">47008548</a>	GASKET VENT 2 WAY	2	EA
10	<a href="#">177022400</a>	SKIRT TAIL ROADSIDE AL .07X15.62X34.03 LH	1	EA
11	<a href="#">148039443</a>	RUB/RAIL LOWER AL 450002X95.32	1	EA
12	<a href="#">148039433</a>	RUB/RAIL LOWER AL 450002X62.32	1	EA
13	<a href="#">001744400</a>	GUSSET BRACE FLOOR TO SIDE AL .102X1.91X16.02	3	EA
14	<a href="#">093048412</a>	STIFFENER SIDE AL 450595X79.5	7	EA
14	<a href="#">093048415</a>	STIFFENER SIDE AL 450595X70.25 (OVER WHEEL BOX)	2	EA

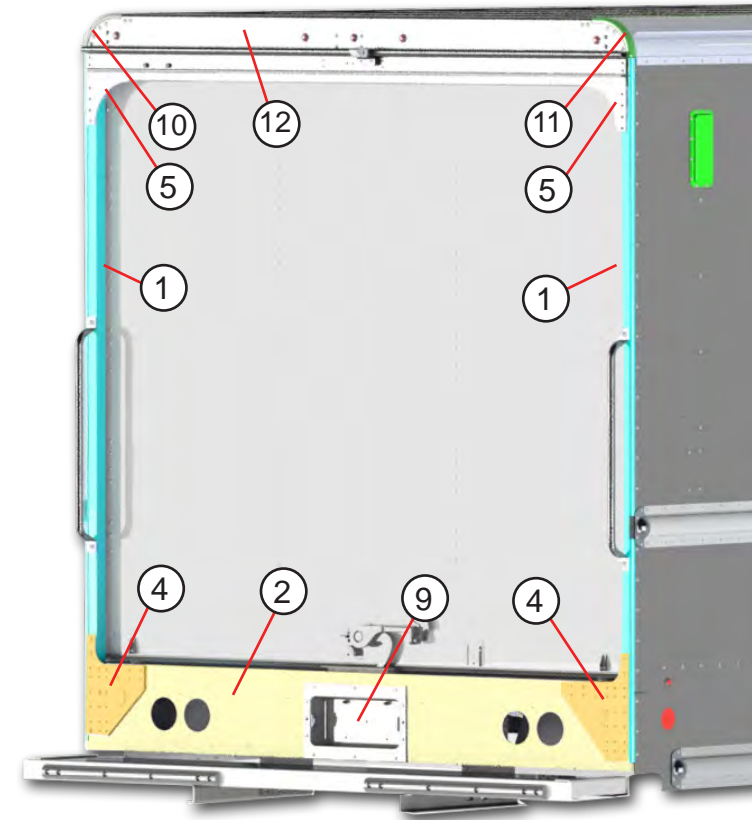


ITEM #	PART #	DESCRIPTION	QTY	UNIT
1	<a href="#">198038446</a>	SIDE UPPER AL .102X60X225.31 LH/RH	1	EA
2	<a href="#">198037484</a>	SIDE LOWER AL .102X37.5X225.31 RH	1	EA
3	<a href="#">107400401</a>	POST B AL 450274X99.62 RH	1	EA
4	<a href="#">088039307</a>	RUB/RAIL AL 450002X221	1	EA
5	<a href="#">1100799</a>	END CAP REAR FL AL .125X2.37X5.5	4	EA
6	<a href="#">1100800</a>	END CAP FORWARD AL .125X2.37X5.5	2	EA
7	<a href="#">7600165</a>	PLATE FILLER RUB/RAIL AL .125X2.88X3	1	EA
8	<a href="#">47008545</a>	VENT AL 2WAY HINGLESS	2	EA
9	<a href="#">47008548</a>	GASKET VENT 2 WAY	2	EA
10	<a href="#">177022401</a>	SKIRT TAIL CURBSIDE AL .07X15.62X34.03 RH	1	EA
11	<a href="#">148039443</a>	RUB/RAIL LOWER AL 450002X95.32	1	EA
12	<a href="#">148039433</a>	RUB/RAIL LOWER AL 450002X62.32	1	EA
13	<a href="#">001744400</a>	GUSSET BRACE FLOOR TO SIDE AL .102X1.91X16.02	3	EA
14	<a href="#">093048412</a>	STIFFENER SIDE AL 450595X79.5	7	EA
14	<a href="#">093048415</a>	STIFFENER SIDE AL 450595X70.25 (OVER WHEEL BOX)	2	EA
15	<a href="#">115012400</a>	FUEL FILL EXTENSION F59	1	EA
16	<a href="#">115012406</a>	HANGER ANGLE EXT AL .07X6.6X12.96	1	EA
17	<a href="#">115012403</a>	SPLASH PAN FUEL FILL AL .102X27.21X28.42	1	EA
18	<a href="#">115012402</a>	BRACKET FUEL FILL MT AL .102X4.5X13.66	1	EA
19	<a href="#">82312025</a>	SUPPORT SPLASH PAN AL .07X1.5X2.84	1	EA



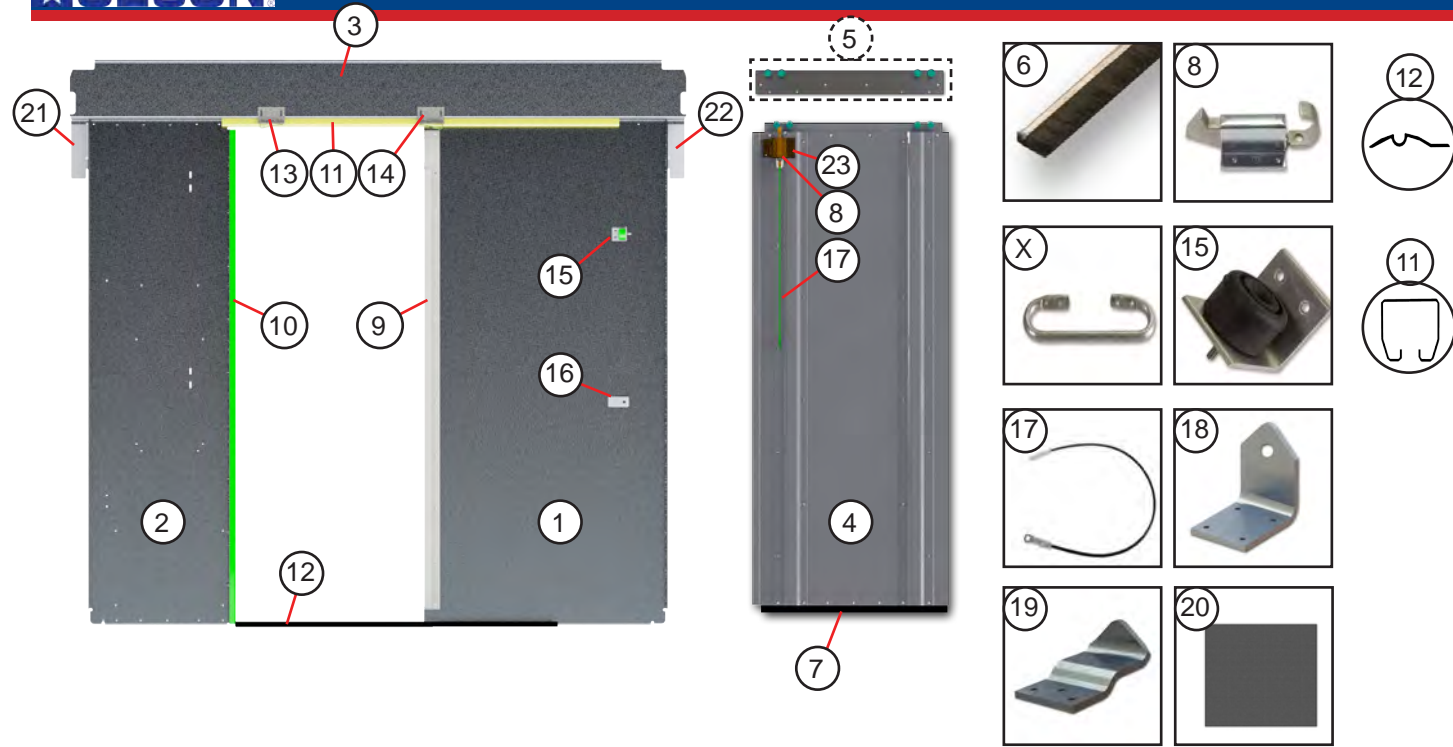


ITEM #	PART #	DESCRIPTION	QTY	UNIT
1	<a href="#">100092401</a>	DOME LAMP BRACKET CARGO AL .07X7.75X24.75	2	EA
2	<a href="#">45601603</a>	ROOF BOW STEEL 16GA SEC456016 X89.12	11	EA
3	<a href="#">098010413</a>	ROOF RAIL 18' ROADSIDE 456144X261.25	1	EA
4	<a href="#">098010414</a>	ROOF RAIL 18' CURBSIDE 456144X261.25	1	EA
5	<a href="#">088010516</a>	RAIL INTERLOCK ROADSIDE	1	EA
6	<a href="#">088010517</a>	RAIL INTERLOCK CURBSIDE	1	EA
7	<a href="#">118010402</a>	ROOF BEAM @ O LINE STEEL 14GAX13.54X89.12	1	EA
8	<a href="#">077100400</a>	CORNER CASTING ROADSIDE	1	EA
9	<a href="#">077100401</a>	CORNER CASTING CURBSIDE	1	EA
10	<a href="#">89310506</a>	NOSE ROOF INTERLOCK	1	EA
11	<a href="#">89310507</a>	ROOF INTERLOCK TRANSOM	1	EA
12	<a href="#">083010400</a>	ROOF NOSE	1	EA
NS	<a href="#">1100010</a>	ROOF SKIN AL .037X82.5XFT	21.98	FT
NS	<a href="#">1109001</a>	INSULATION FIBERGLASS 1X48X100"	37	FT
15	<a href="#">47006610</a>	CLIP PLASTIC FLAT HEAD (54 CAB - 80 CARGO AREA)	134	EA
16	<a href="#">108011402</a>	LINER ROOF CAB YC-25 FOSS GRY 42.81X90	1	EA
17	<a href="#">100092400</a>	DOME LAMP BRACKET CAB AL .07X9X25	1	EA
18	<a href="#">44000052</a>	GROMMET	1	EA
19	<a href="#">083011466</a>	LINER ROOF EMBOSSED .023X25X86.99	1	EA
19	<a href="#">083011458</a>	LINER ROOF EMBOSSED .023X49X86.99	4	EA
19	<a href="#">108011402</a>	LINER ROOF GRAY 38.5X86.12	1	EA



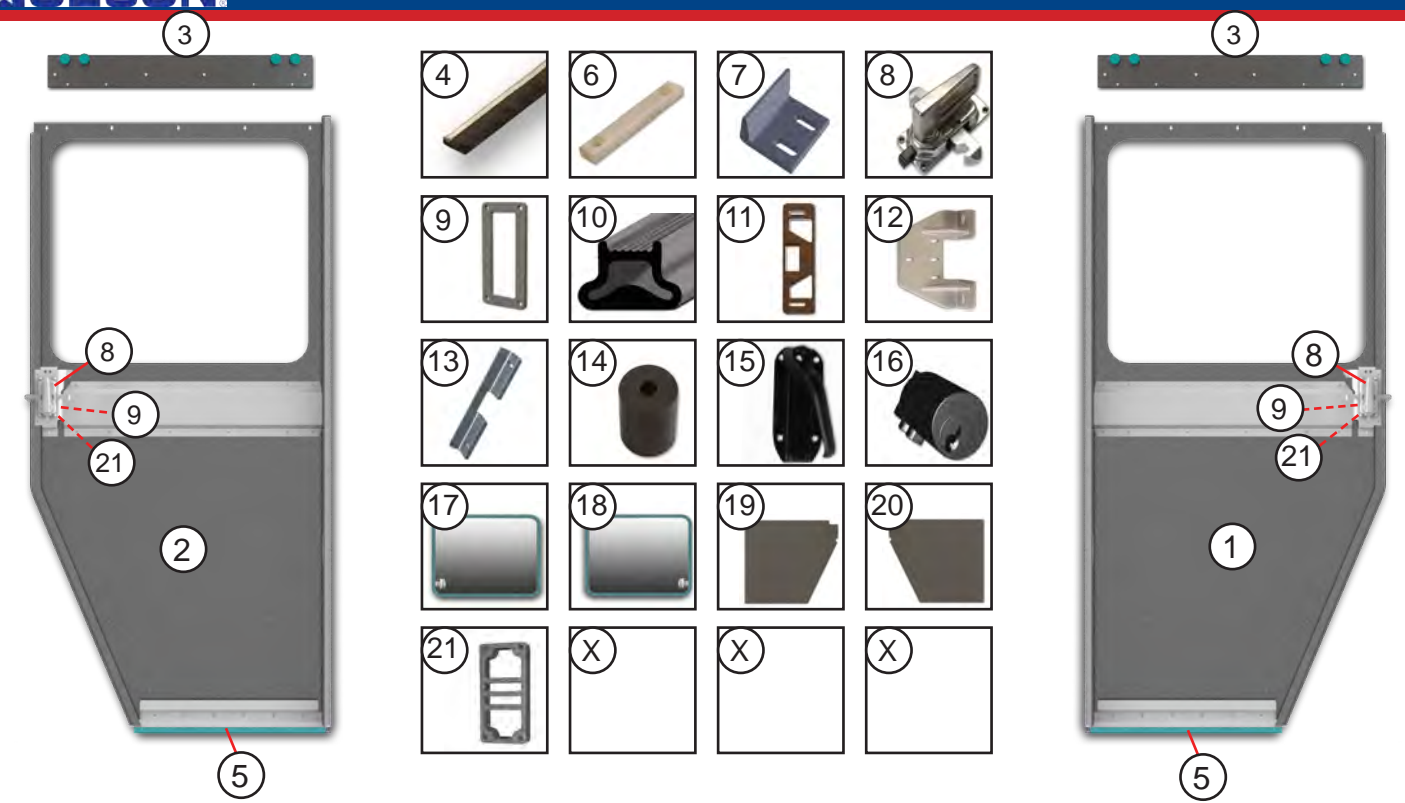
ITEM #	PART #	DESCRIPTION	QTY	UNIT
1	<a href="#">083053453</a>	CHANNEL POST CORNER AL 450359X92.69	2	EA
2	<a href="#">083053601</a>	SILL REAR 93W AL450024X88.75	1	EA
3	<a href="#">1126108</a>	ANGLE AL .75X6X6X1	2	EA
4	<a href="#">7400206</a>	GUSSET RUD LOWER AL .25X9.88X13.5	2	EA
5	<a href="#">7400207</a>	GUSSET RUD UPPER AL .25X7.12X7.38	2	EA
6	<a href="#">7400208</a>	SHIM GUSSET AL .188X1.38X6	2	EA
7	<a href="#">89353301</a>	CLIP HOLDER AL 450198X1.25LH/RH	2	EA
8	<a href="#">47009642</a>	LAMP LED LICENSE PLATE BOX	2	EA
9	<a href="#">140092201</a>	LICENSE PLATE BOX	1	EA
10	<a href="#">45100009</a>	CORNER CASTING LH	1	EA
11	<a href="#">45100010</a>	CORNER CASTING RH	1	EA
12	<a href="#">218053400</a>	TRANSOM 93W	1	EA
13	<a href="#">47001082</a>	GRAB HANDLE	2	EA
14	<a href="#">146079401</a>	BRACKET CAMERA	1	EA

# BULKHEAD

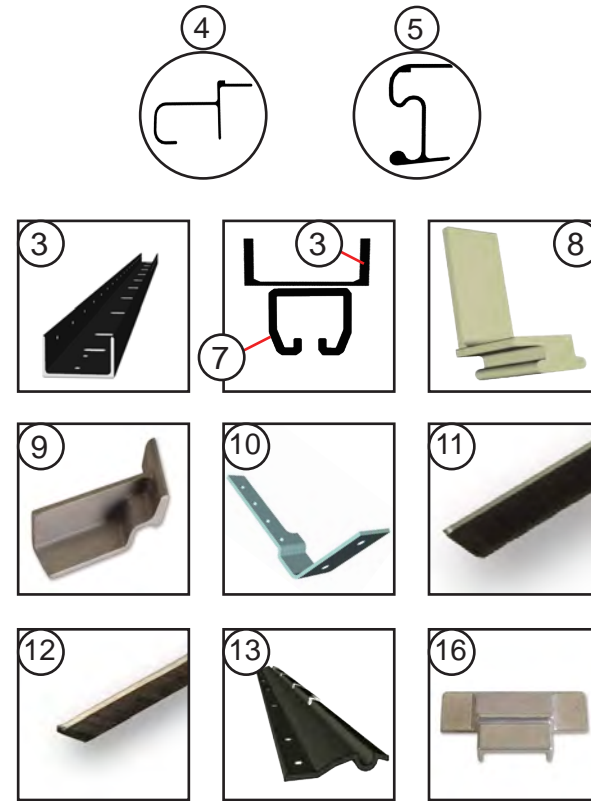
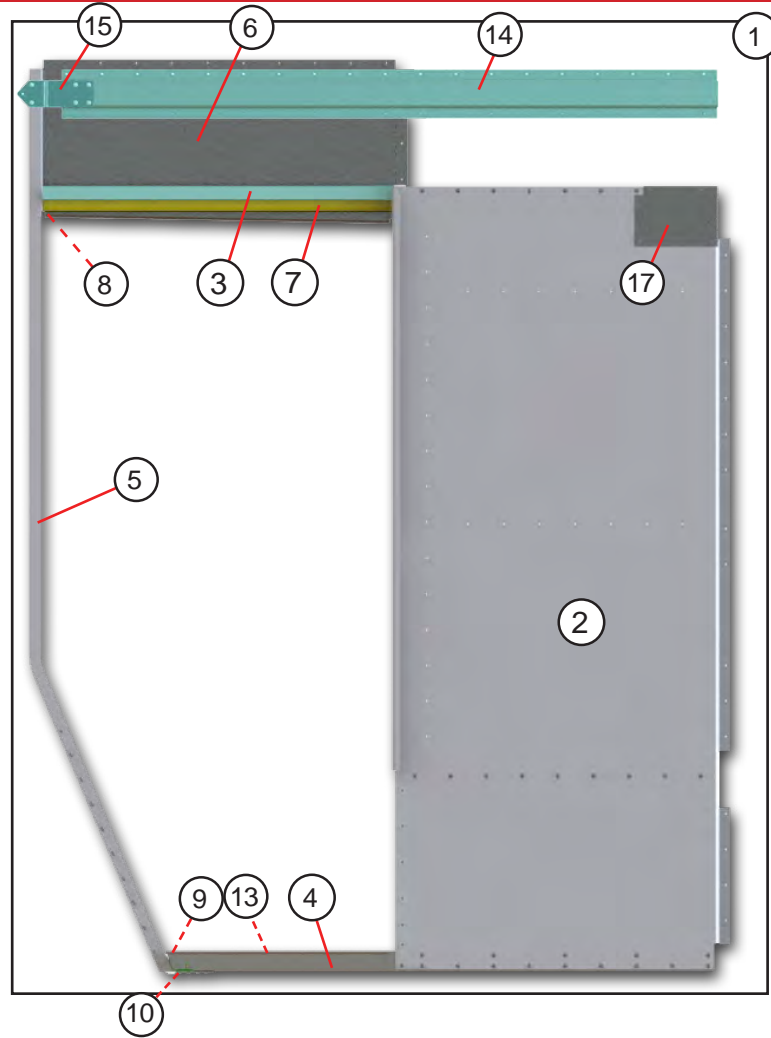


ITEM #	PART #	DESCRIPTION	QTY	UNIT
1	<a href="#">088070407</a>	PANEL BULKHEAD AL .102X37.94X77.38 ROADSIDE	1	EA
2	<a href="#">088070400</a>	PANEL BULKHEAD AL .102X24.13X77.38 CURBSIDE	1	EA
3	<a href="#">088070414</a>	HEADER BULKHEAD ZEE AL .102X12.9X92.4	1	EA
4	<a href="#">088070204</a>	DOOR ASSEMBLY BULKHEAD N/WDO	1	EA
5	<a href="#">088070206</a>	PLATE DOOR HANGER ASSEMBLY (W/ 4 PAIR OF BEARINGS)	1	EA
6	<a href="#">44008050</a>	SEAL BRUSH TYPE B 1X83.9	1	EA
7	<a href="#">088070434</a>	WEAR STRIP BULKHEAD DOOR 452002X28.75	1	EA
8	<a href="#">1113046</a>	LATCH FINGER PULL	1	EA
9	<a href="#">96770312</a>	JAMB AL 450326X74.37	1	EA
10	<a href="#">088070435</a>	CHANNEL BULKHEAD AL 450502X72.15LH	1	EA
11	<a href="#">005770200</a>	TRACK DOOR ASSEMBLY	1	EA
12	<a href="#">96770316</a>	GUIDE DOOR FLOOR AL 450414X47.88	1	EA
13	<a href="#">088070207</a>	STRIKER WELDMENT BHD ASSEMBLY	1	EA
14	<a href="#">001770207</a>	STRIKER WELDMENT BHD ASSEMBLY	1	EA
15	<a href="#">5903152</a>	DOOR STOP ASSEMBLY	1	EA
16	<a href="#">45200208</a>	DOOR CHAULK	1	EA
17	<a href="#">1113600</a>	CABLE - DOOR LATCH	1	EA
18	<a href="#">7900481</a>	BRACKET PADLOCK AL .188X2.25X5.72	1	EA
19	<a href="#">999319400</a>	ANGLE PADLOCK BULKHEAD AL .188X2.25X4.17	1	EA
20	<a href="#">47009600</a>	CARPET GREY BLACHFORD CFA3-25	12.5	FT
21	<a href="#">088070443</a>	PLATE BULKHEAD AL .055X3.65X8.29 RH	1	EA
22	<a href="#">088070441</a>	PLATE BULKHEAD AL .055X3.65X8.29 LH	1	EA
23	<a href="#">92537309</a>	PLACE MOUNTING LATCH	1	EA

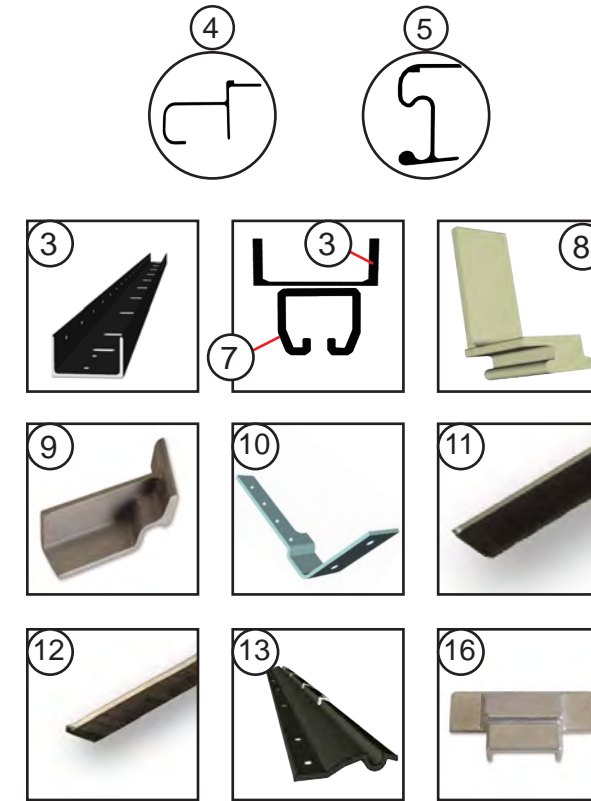
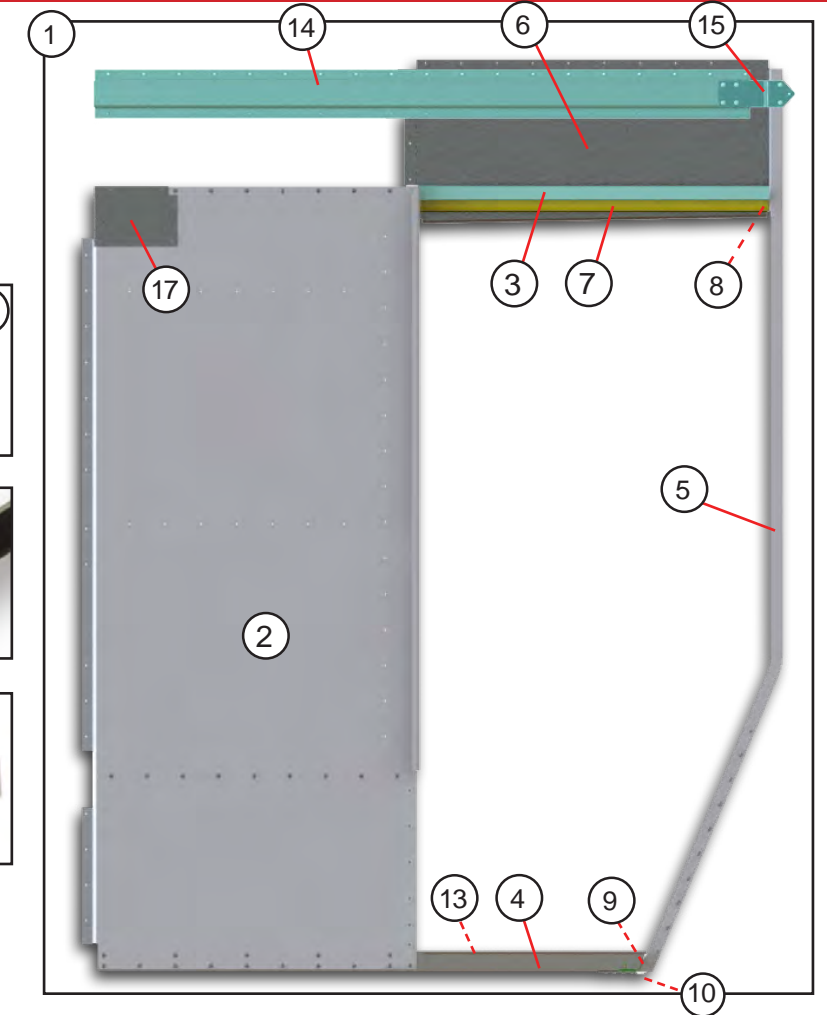
# SIDE DOORS



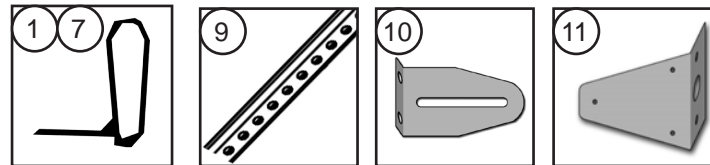
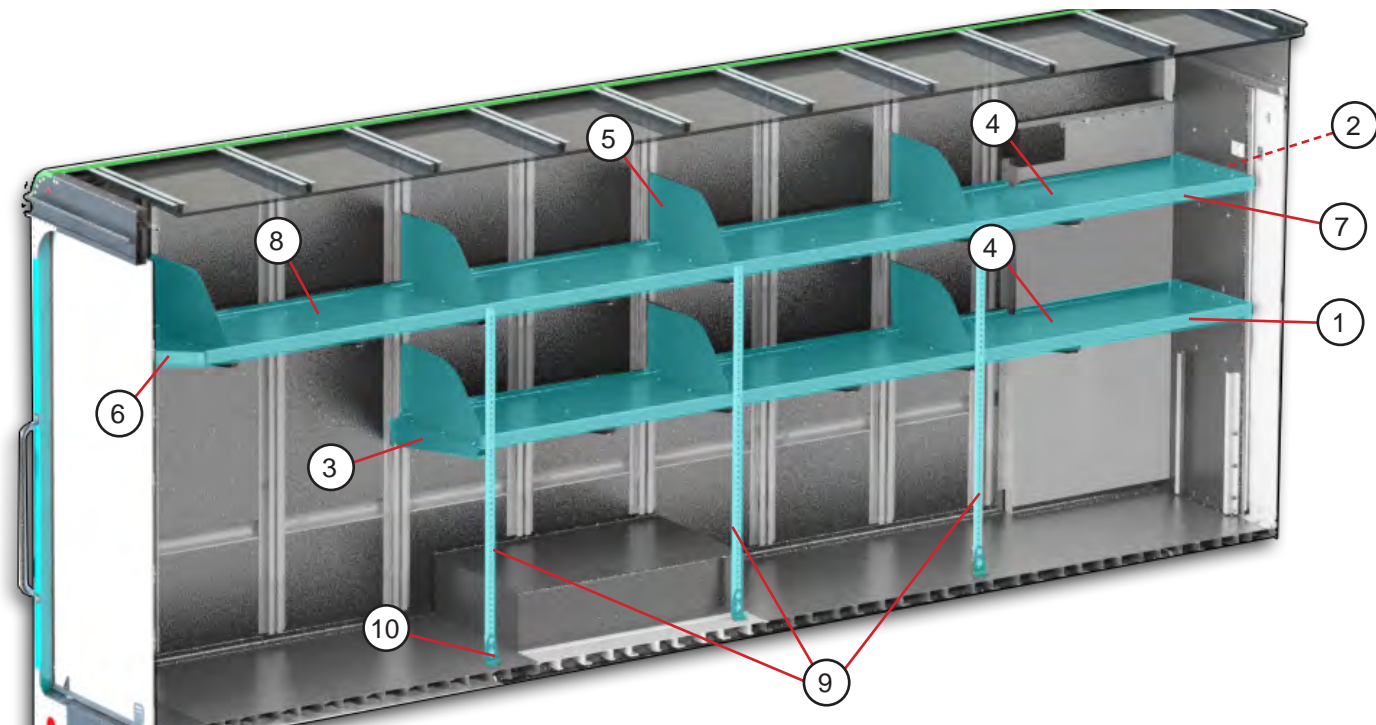
ITEM #	PART #	DESCRIPTION	QTY	UNIT
1	<a href="#">210060201</a>	SIDE DOOR ASSEMBLY LH	1	EA
2	<a href="#">210060202</a>	SIDE DOOR ASSEMBLY RH	1	EA
3	<a href="#">96760203</a>	HANGER ASSEMBLY	1	EA
4	<a href="#">44008050</a>	SEAL BRUSH TYPE B 1X83.9	1	EA
5	<a href="#">210060408</a>	WEAR STRIP 450008X25.75	1	EA
6	<a href="#">45200206</a>	SPACER ANTI RATTLE CLIP	4	EA
7	<a href="#">45300377</a>	CLIP ANTI RATTLE AL .188X2X2.7	4	EA
8	<a href="#">1113016</a>	LATCH MECHINISM INNER	2	EA
9	<a href="#">157060404</a>	SPACER DOOR LATCH	2	EA
10	<a href="#">44004104</a>	SEAL RUBBER FWD DR X89.25	2	EA
11	<a href="#">170060400</a>	STRIKER BRONZE D/S RR	2	EA
12	<a href="#">45100094</a>	BRACKET DOOR STRIKER	2	EA
13	<a href="#">198041400</a>	BRACKET DOOR STRIKER REAR	2	EA
14	<a href="#">44002011</a>	BUMPER RUBBER	2	EA
15	<a href="#">47000689</a>	HANDLE SIDE BLACK	2	EA
16	<a href="#">47001181</a>	REMOVABLE LOCK CYCLINDER	2	EA
17	<a href="#">13342990001</a>	WINDOW SLIDING CURBSIDE RH	1	EA
18	<a href="#">13342990002</a>	WINDOW SLIDING ROADSIDE LH	1	EA
19	<a href="#">45210007</a>	PANEL DOOR INNER LOWER LH	1	EA
20	<a href="#">45210009</a>	PANEL DOOR INNER LOWER RH	1	EA
21	<a href="#">087181</a>	KASON LOCK SPACER	2	EA



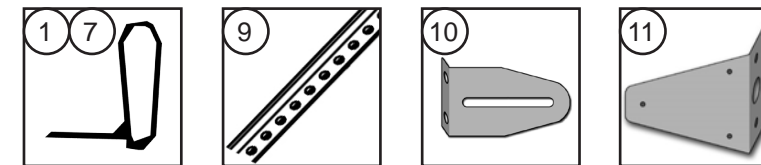
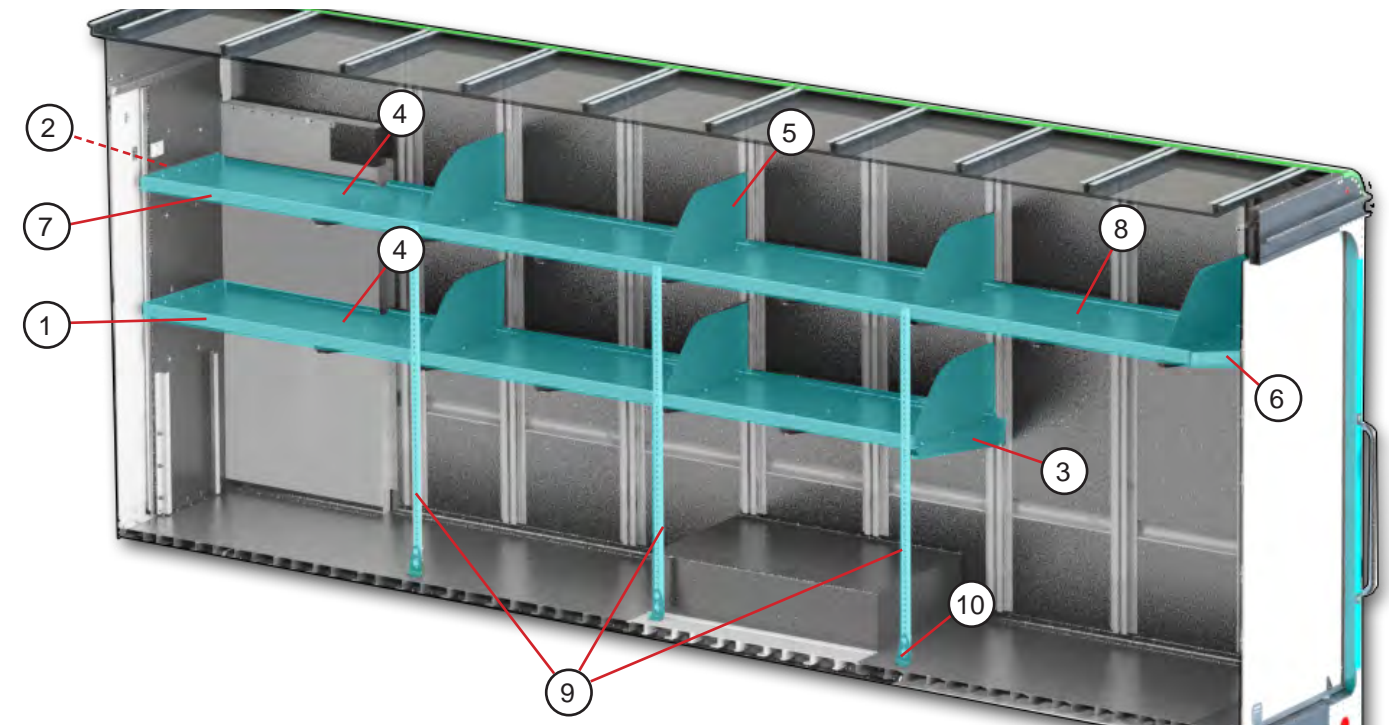
ITEM #	PART #	DESCRIPTION	QTY.	UNIT
1	<a href="#">077041215</a>	DOOR POCKET ASSEMBLY 85H Y RH W/VT	1	EA
2	<a href="#">210041401</a>	PANEL DOOR POCKET AL .102X42.25X87.65 RH	1	EA
3	<a href="#">210041403</a>	CHANNEL HEADER AL 450256X75 RH	1	EA
4	<a href="#">210041405</a>	NOSE STEP AL 450247X61.29 RH	1	EA
5	<a href="#">157041401</a>	DOOR POST AL 450294X102.43 RH	1	EA
6	<a href="#">177041403</a>	PANEL HEADER AL .102X19.49X42.36 RH	1	EA
7	<a href="#">96741202</a>	TRACK ASSEMBLY UPPER	1	EA
8	<a href="#">45100049</a>	GUSSET HEADER CHANNEL TO DOOR POST	1	EA
9	<a href="#">45100105</a>	DOOR POST CASTING LOWER	1	EA
10	<a href="#">001741408</a>	REINFORCEMENT BRACKET AL .125X1.53X8.04 RH	1	EA
11	<a href="#">44004060</a>	SEAL BRUSH TYPE C 1.5X82	1	EA
12	<a href="#">44008050</a>	SEAL BRUSH TYPE B 1X83.9	1	EA
13	<a href="#">47002766</a>	DOOR GUIDE NYLON	1	EA
14	<a href="#">083042401</a>	STIFFENER HEADER AL450328X73.75 RH	1	EA
15	<a href="#">96742302</a>	CLIP AL Z .102X3X9.57	1	EA
16	<a href="#">45100074</a>	CAP RAIL END (OPTIONAL)	1	EA
17	<a href="#">96741355</a>	COVER DOOR POCKET RH AL .055X6.75X12.16	1	EA



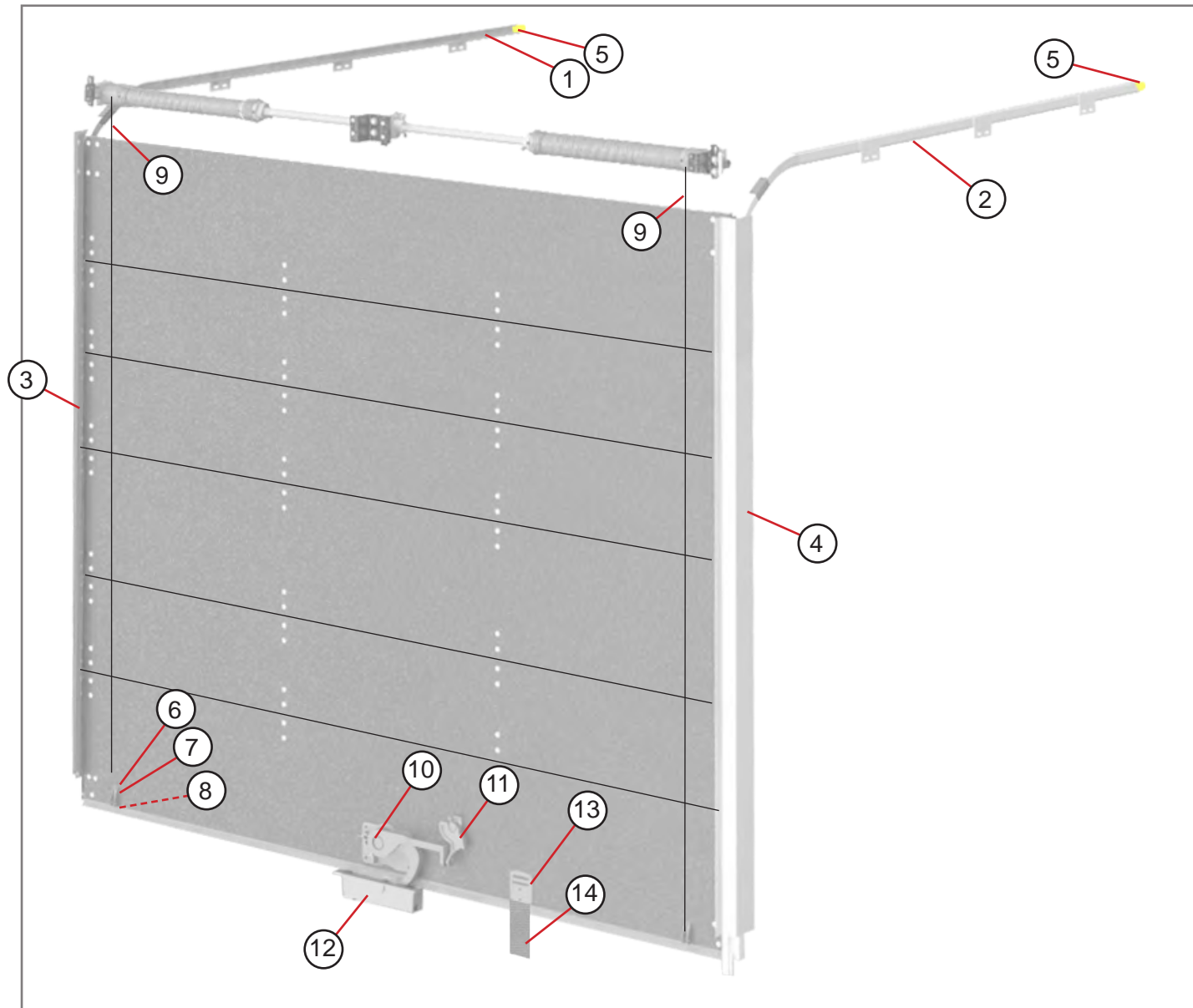
ITEM #	PART #	DESCRIPTION	QTY.	UNIT
1	<a href="#">210041200</a>	DOOR POCKET ASSEMBLY 85H Y LH W/VT	1	EA
2	<a href="#">210041400</a>	PANEL DOOR POCKET AL .102X42.25X87.65 LH	1	EA
3	<a href="#">210041402</a>	CHANNEL HEADER AL 450256X75 LH	1	EA
4	<a href="#">210041404</a>	NOSE STEP AL 450247X61.29 LH	1	EA
5	<a href="#">157041400</a>	DOOR POST AL 450294X102.43 LH	1	EA
6	<a href="#">177041402</a>	PANEL HEADER AL .102X19.49X42.36 LH	1	EA
7	<a href="#">96741202</a>	TRACK ASSEMBLY UPPER	1	EA
8	<a href="#">45100048</a>	GUSSET HEADER CHANNEL TO DOOR POST	1	EA
9	<a href="#">45100104</a>	DOOR POST CASTING LOWER	1	EA
10	<a href="#">001741407</a>	REINFORCEMENT BRACKET AL .125X1.53X8.04 LH	1	EA
11	<a href="#">44004060</a>	SEAL BRUSH TYPE C 1.5X82	1	EA
12	<a href="#">44008050</a>	SEAL BRUSH TYPE B 1X83.9	1	EA
13	<a href="#">47002766</a>	DOOR GUIDE NYLON	1	EA
14	<a href="#">083042400</a>	STIFFENER HEADER AL450328X73.75 LH	1	EA
15	<a href="#">96742302</a>	CLIP AL Z .102X3X9.57	1	EA
16	<a href="#">45100074</a>	CAP RAIL END (OPTIONAL)	1	EA
17	<a href="#">96741354</a>	COVER DOOR POCKET	1	EA



ITEM #	PART #	DESCRIPTION	QTY.	UNIT
1	<a href="#">138105709</a>	LIP SHELF BOTTOM AL 450589X152.49 LH	1	EA
2	<a href="#">222105406</a>	ANGLE SHELF REAR AL 450523X23.25	2	EA
3	<a href="#">138105511</a>	SUPPORT SHELF ARM AL .125X6.65X27.28 RH	1	EA
4	<a href="#">222105404</a>	SHELF FRONT AL .07X26.91X151.49 LH	2	EA
5	<a href="#">138105522</a>	DIVIDER SHELF AL .102X13.63X25.42 LH	7	EA
6	<a href="#">138105510</a>	SUPPORT SHELF AL .125X6.65X27.28 LH	6	EA
7	<a href="#">168126451</a>	LIP SHELF TOP AL 450589X204.74 LH	1	EA
8	<a href="#">168126450</a>	PANEL SHELF REAR AL .07X26.91X63.25 L	1	EA
9	<a href="#">138105537</a>	SHELF UPRIGHT AL 45057X59.25	3	EA
10	<a href="#">092105411</a>	BRACKET MOUNTING UPPER AL .188X2.5X6.02IN	6	EA
11	<a href="#">093105703</a>	SUPPORT BRACKET ST 11GAX4.38X7.56	15	EA



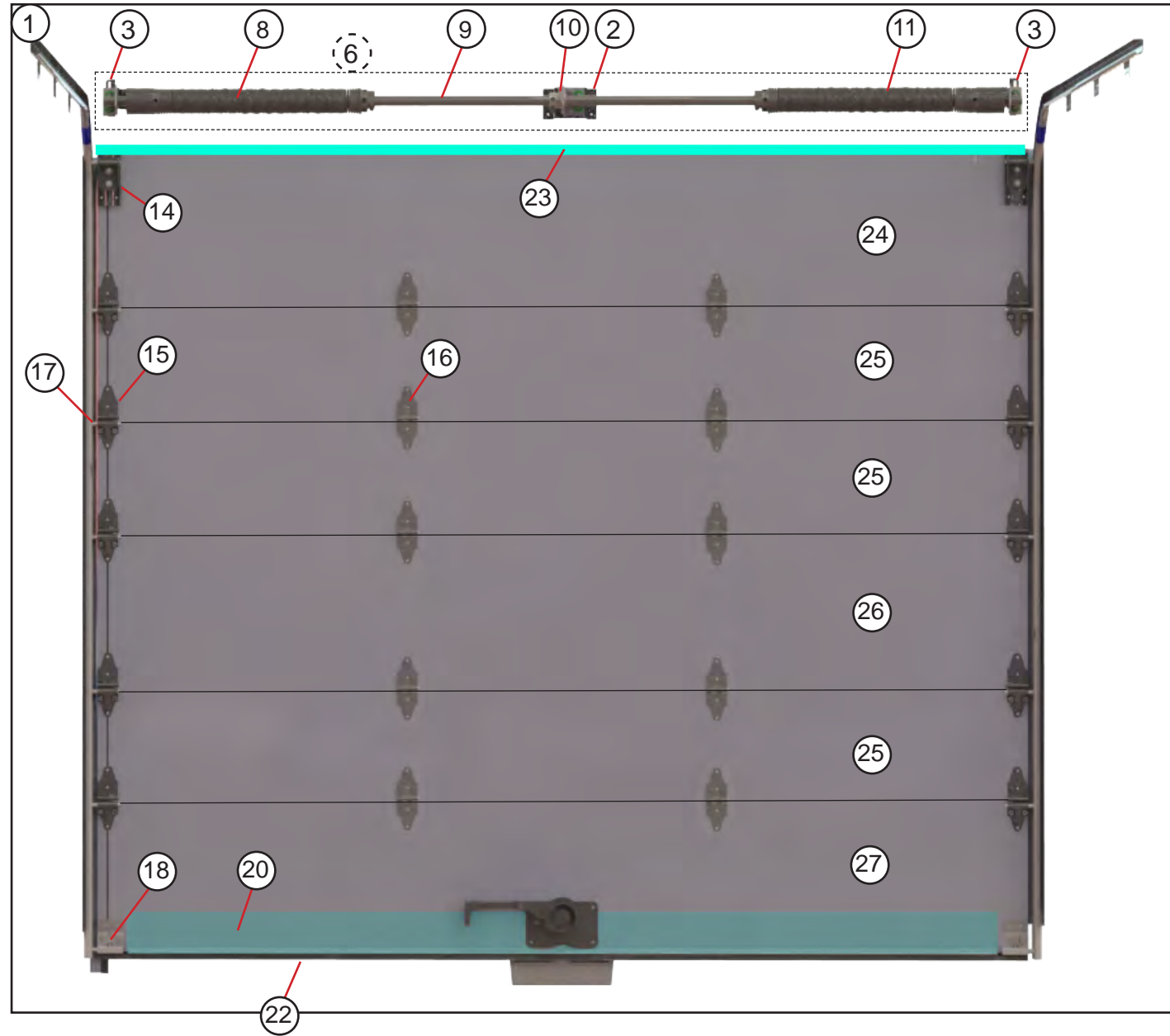
ITEM #	PART #	DESCRIPTION	QTY.	UNIT
1	<a href="#">138105711</a>	LIP SHELF BOTTOM AL 450589X152.49 RH	1	EA
2	<a href="#">222105406</a>	ANGLE SHELF REAR AL 450523X23.25	2	EA
3	<a href="#">138105510</a>	SUPPORT SHELF ARM AL .125X6.65X27.28 RH	1	EA
4	<a href="#">222105405</a>	SHELF FRONT AL .07X26.91X151.49 RH	2	EA
5	<a href="#">138105523</a>	DIVIDER SHELF AL .102X13.63X25.42 RH	7	EA
6	<a href="#">138105511</a>	SUPPORT SHELF AL .125X6.65X27.28 RH	6	EA
7	<a href="#">138105710</a>	LIP SHELF TOP AL 450589X214.74 LH	1	EA
8	<a href="#">138105514</a>	PANEL SHELF REAR AL .07X26.92X63.25 L	1	EA
9	<a href="#">138105537</a>	SHELF UPRIGHT AL 45057X59.25	3	EA
10	<a href="#">092105411</a>	BRACKET MOUNTING UPPER AL .188X2.5X6.02	6	EA
11	<a href="#">093105703</a>	SUPPORT BRACKET ST 11GAX4.38X7.56	15	EA



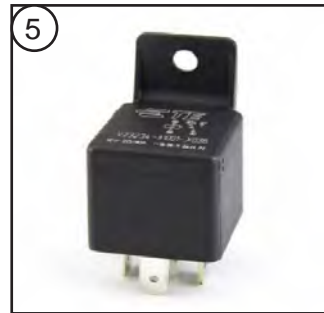
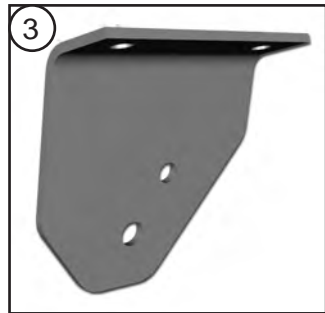
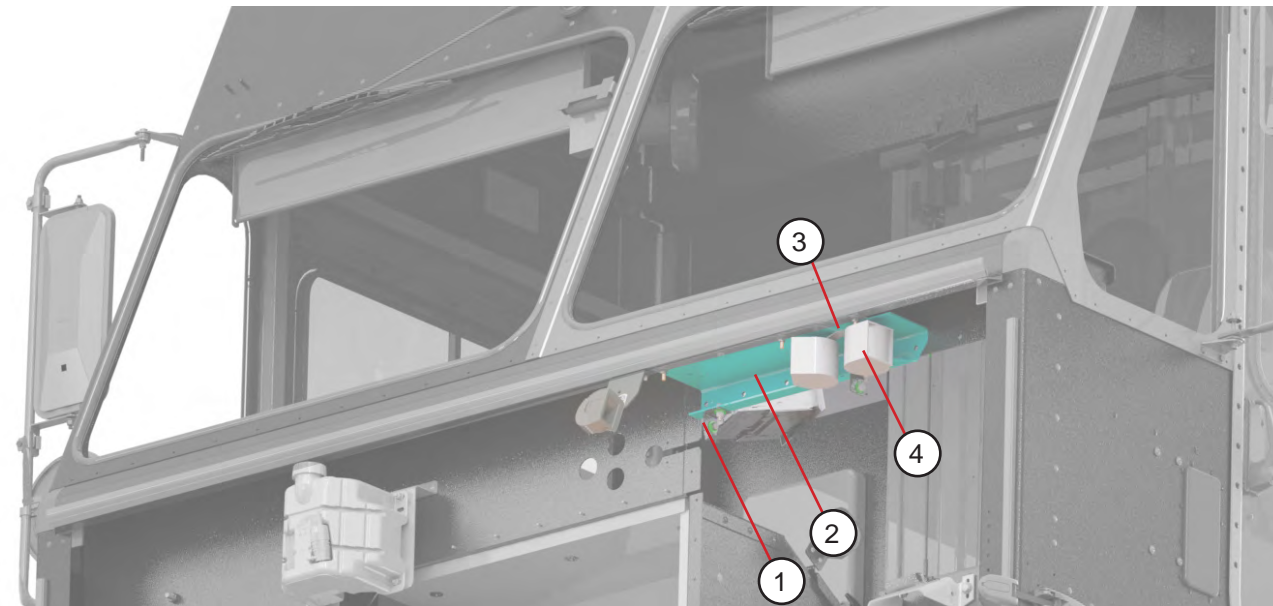
47004801 1/4" Composite Roll Up Door



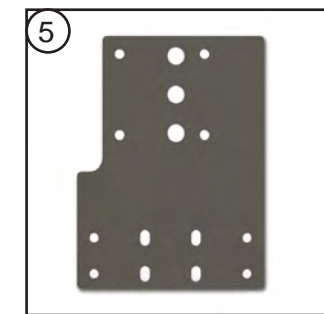
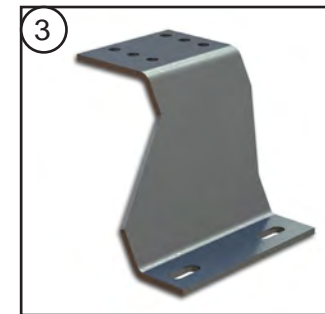
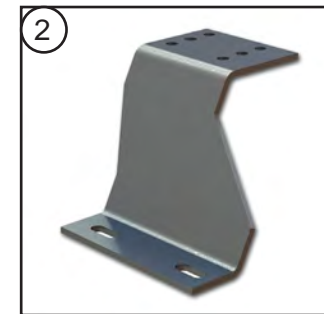
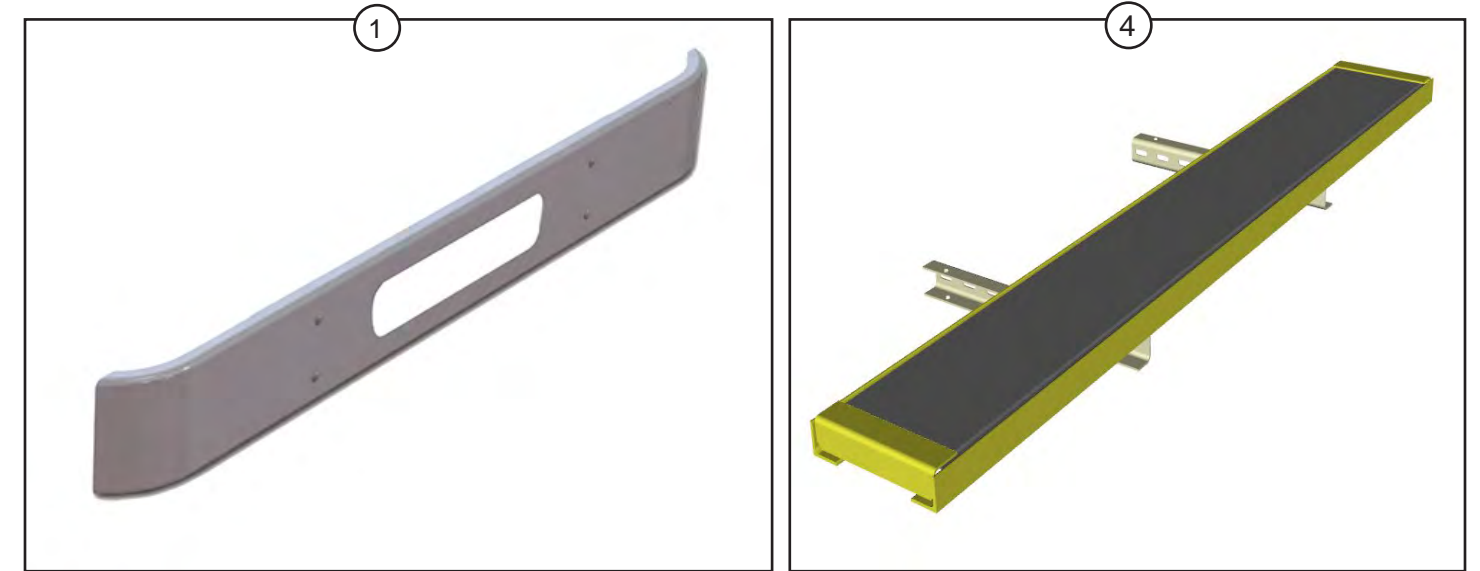
ITEM #	PART #	DESCRIPTION	QTY	UNIT
1	Call W/ S/N	TRACK HORIZONTAL ROADSIDE 1"	1	EA
2	Call W/ S/N	TRACK HORIZONTAL CURBSIDE 1"	1	EA
3	Call W/ S/N	TRACK ASSEMBLY VERTICAL ROADSIDE 1"	1	EA
4	Call W/ S/N	TRACK ASSEMBLY VERTICAL CURBSIDE 1"	1	EA
5	<a href="#">47106739</a>	HEAD PROTECTOR (YELLOW)	2	EA
6	<a href="#">47106762</a>	BRACKET CABLE ANCHOR	2	EA
7	<a href="#">47106706</a>	PIN - CABLE	2	EA
8	<a href="#">47106719</a>	COTTER PIN 3/32"	2	EA
9	<a href="#">47106727</a>	CABLE 95" 7X19 STAINLESS 1/4" METAL EYE	2	EA
10	<a href="#">47106870</a>	LOCK - MAX SECURITY W/ INSIDE RELEASE HANDLE	1	EA
11	<a href="#">47106871</a>	LOCK - KEEPER ASSEMBLY	1	EA
12	<a href="#">45100001</a>	BOX - MAX SECURITY (STRIKER)	1	EA
13	<a href="#">47106869</a>	RATAINER - PULL STRAP	1	EA
14	<a href="#">47106868</a>	PULL STRAP - BLACK TG-9723-18-2	1	EA
15	<a href="#">47106796</a>	LIFT HANDLE - BLACK	1	EA
16	<a href="#">47106687</a>	SEAL SIDE 1.5" BRUSH/RUBBER	2	EA
17	<a href="#">47106686</a>	SEAL HEADER 1.5" BRUCH X90"	1	EA



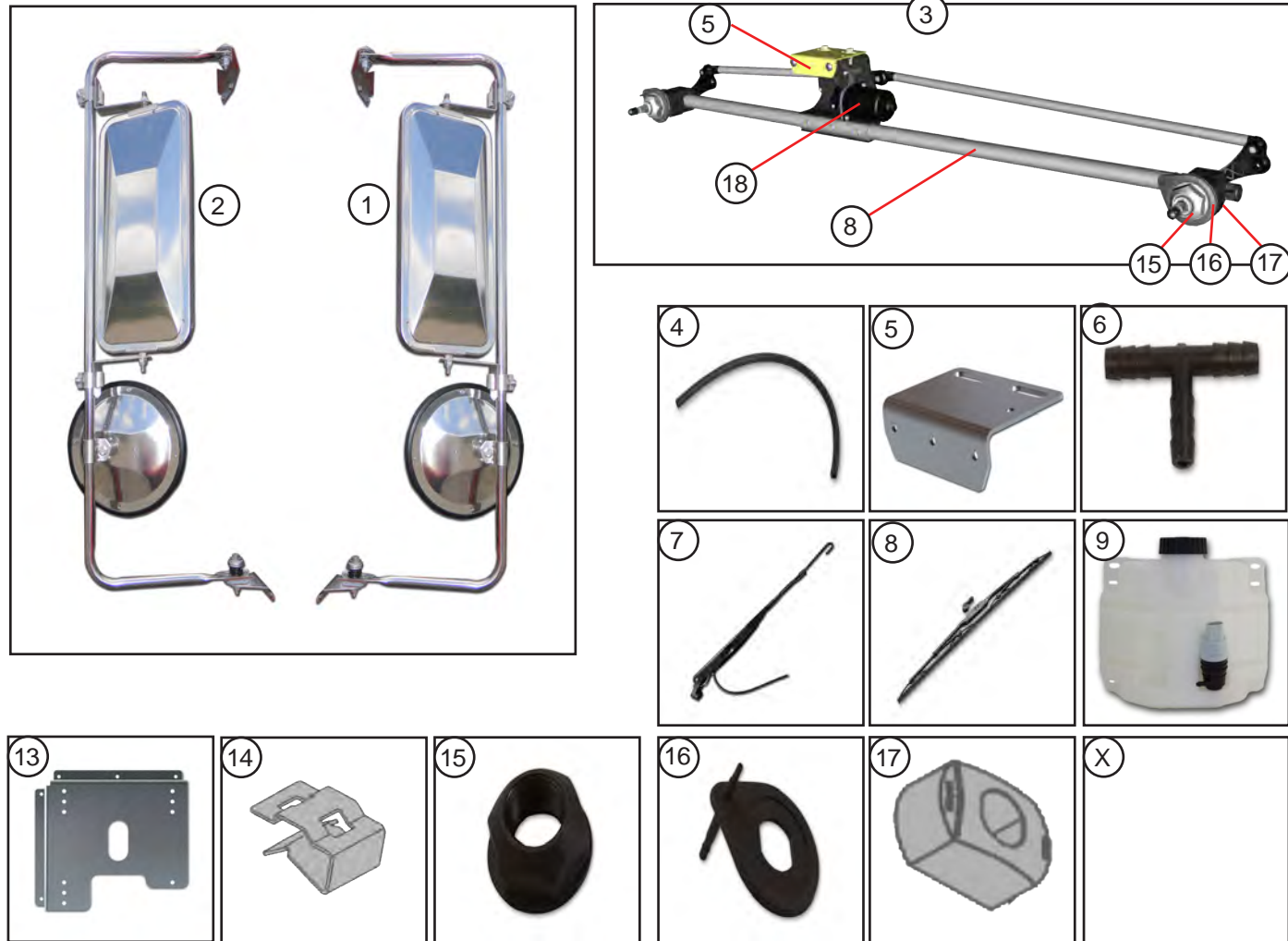
ITEM #	PART #	DESCRIPTION	QTY	UNIT
1	<a href="#">47004801</a>	ROLL UP DOOR 1/4" COMPOSIT FULL OPEN X 77.69"	1	EA
2	<a href="#">167130403</a>	BRACKET SPACER COUNTER BALANCE	1	EA
3	<a href="#">170130500</a>	BRACKET MOUNTING UPPER AL .125X3.63X4.2	2	EA
4	<a href="#">45100001</a>	BOX MAX-SECURITY STRIKER CAST AL 356	1	EA
5	<a href="#">47009530</a>	DRAIN CHAMBER ABS	2	EA
6	Call W/ S/N	COUNTER BALANCE ASSEMBLY (OPERATOR)	1	EA
7	<a href="#">47106753</a>	CABLE DRUM CURBSIDE	1	EA
8	Call W/ S/N	SPRING CURBSIDE	1	EA
9	Call W/ S/N	SHAFT - COUNTER BALANCE	1	EA
10	<a href="#">47106822</a>	WINDER - COUNTER BALANCE	1	EA
11	Call W/ S/N	SPRING ROADSIDE	1	EA
12	<a href="#">47106754</a>	CABLE DRUM ROADSIDE	1	EA
13	<a href="#">47106737</a>	BEARING ASSEMBLY	3	EA
14	<a href="#">47106710</a>	TOP CLOSURE ASSEMBLY	2	EA
15	<a href="#">47106797</a>	HINGE - ROLLER	10	EA
16	<a href="#">47106731</a>	HINGE - CENTER HEAVY DUTY	10	EA
17	<a href="#">47106873</a>	ROLLER 1" HIGH CYCLE STEEL	14	EA
18	<a href="#">47106705</a>	BOTTOM FIXTURE ASSEMBLY TG-5600-3-1-BLK	1	EA
20	Call W/ S/N	BOTTOM PANEL REINFORCEMENT	1	EA
21	Call W/ S/N	BOTTOM PANEL SEAL TG-61193-E	1	EA
22	Call W/ S/N	TOP PANEL SEAL TG-70001-.25	1	EA
23	Call W/ S/N	HEADER SEAL	1	EA
24	Call W/ S/N	TOP PANEL	1	EA
25	Call W/ S/N	INTERMEDIATE PANEL	3	EA
26	Call W/ S/N	CENTER PANEL	1	EA
27	Call W/ S/N	BOTTOM PANEL	1	EA



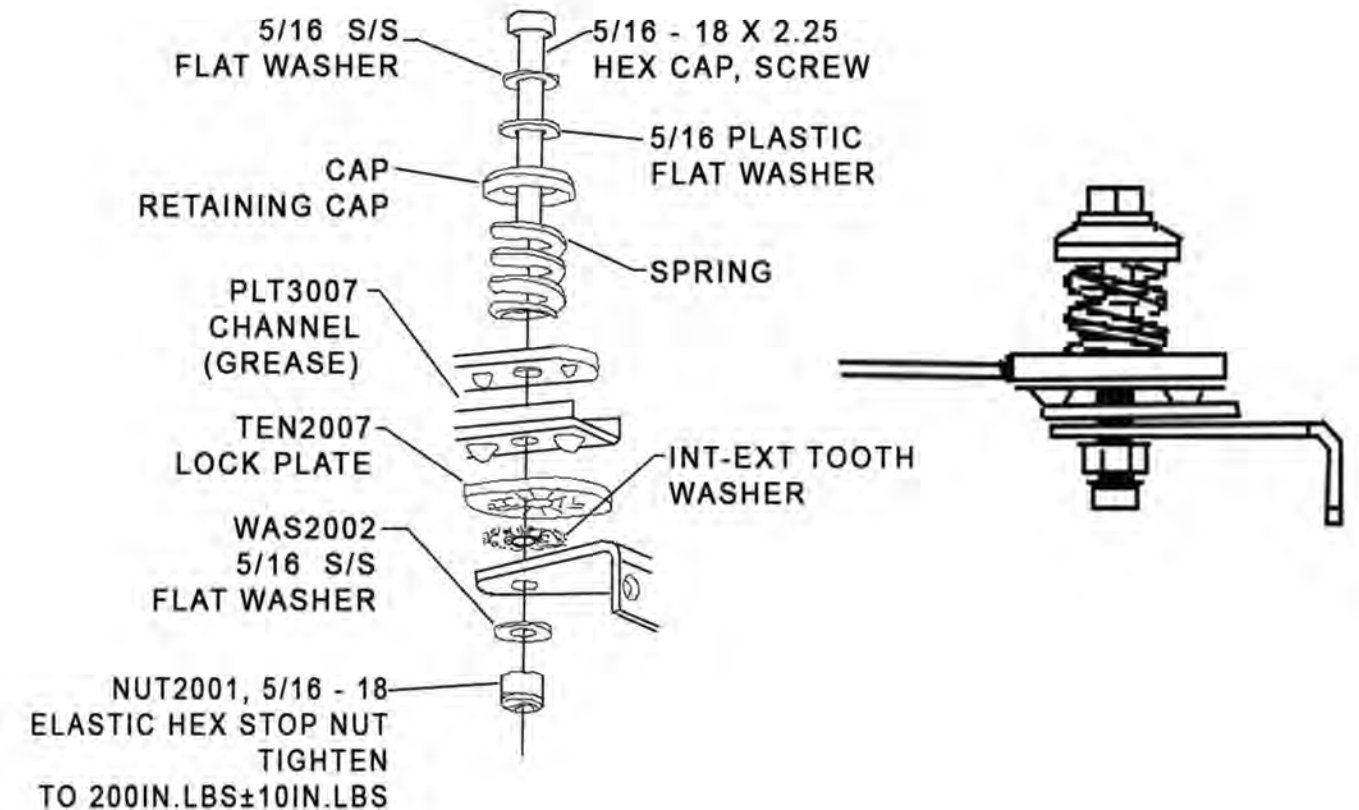
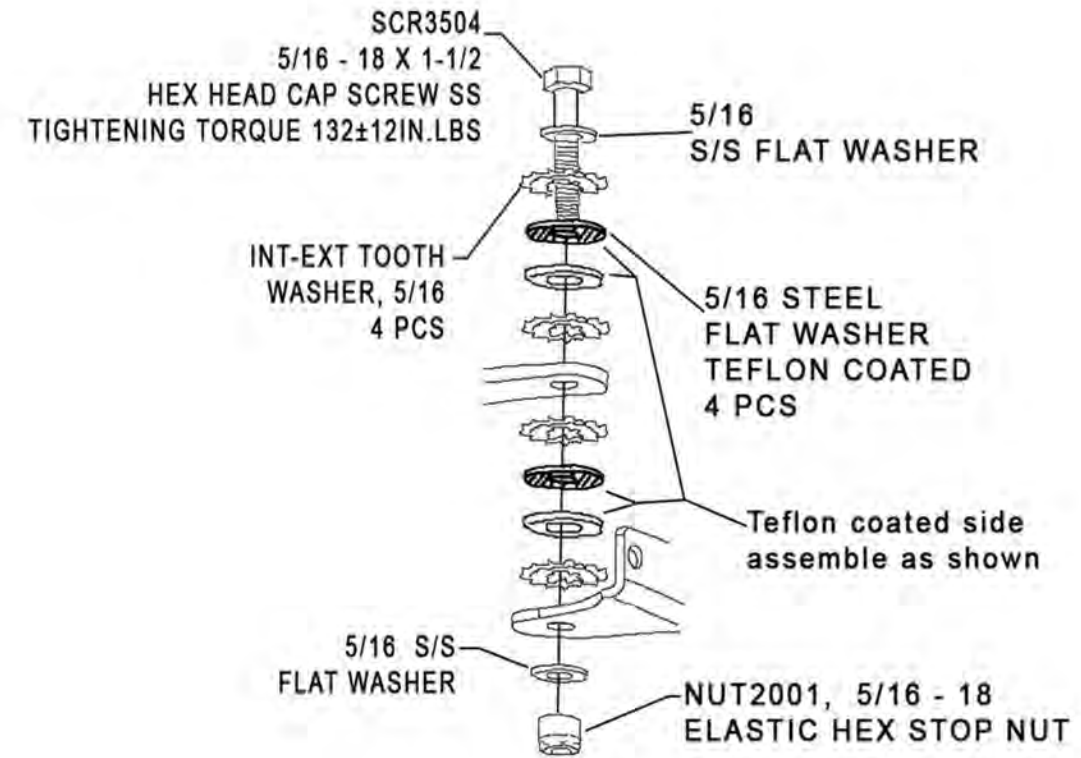
ITEM #	PART #	DESCRIPTION	QTY	UNIT
1	<a href="#">185005402</a>	CLIP CHANNEL AL .102X1.4X2.76	2	EA
2	<a href="#">185005401</a>	CHANNEL REINFORCEMENT MAIN AL .125X8.9X21	1	EA
3	<a href="#">115085401</a>	BRACKET MOUNTING - ANTI THEFT HORN	1	EA
4	<a href="#">47009678</a>	HORN EXTRA LOUD	1	EA
5	<a href="#">46032351</a>	RELAY SPDT 12V 40A MINI	1	EA



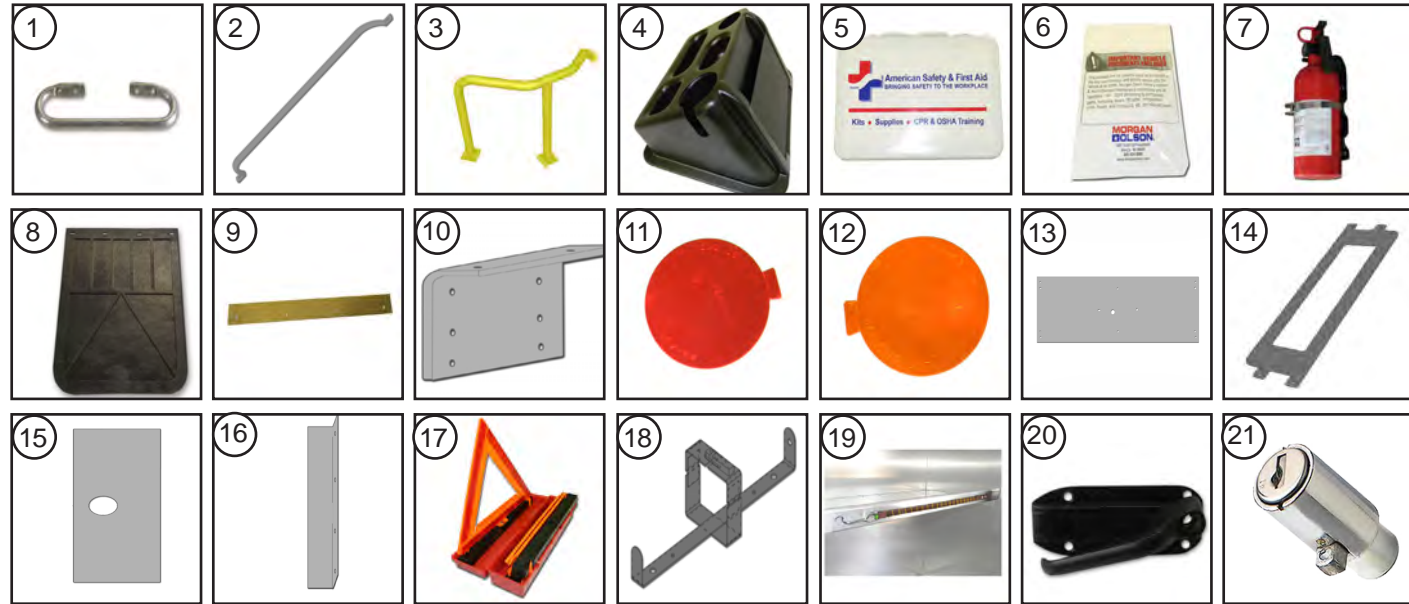
ITEM #	PART #	DESCRIPTION	QTY.	UNIT
1	<a href="#">098052409</a>	BUMPER STEEL 93W 11"	1	EA
2	<a href="#">205008401</a>	BRACKET BUMPER STEEL STL .312X10.09X14.65 LH	1	EA
3	<a href="#">205008402</a>	BRACKET BUMPER STEEL STL .312X10.09X14.65 RH	1	EA
4	<a href="#">103057205</a>	BUMPER REAR GRIP STRUT 11.75 x 90"	1	EA
5	<a href="#">128007406</a>	HANGER BUMPER STEEL STEEL .312X11X14	2	EA
6	<a href="#">97757309</a>	PROTECTIVE BUMPER REAR X29.88	2	EA



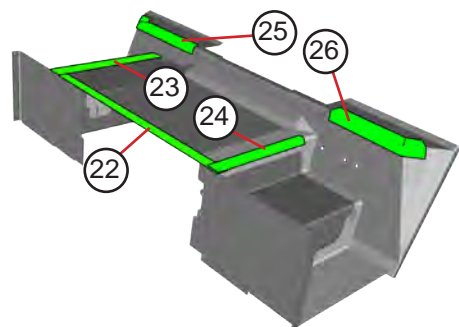
ITEM #	PART #	DESCRIPTION	QTY.	UNIT
1	<a href="#">47005641</a>	MIRROR ASSEMBLY ROADSIDE	1	EA
2	<a href="#">47005642</a>	MIRROR ASSEMBLY CURBSIDE	1	EA
3	<a href="#">47004188</a>	WIPER SYSTEM TBLR 2 PIVOT	1	EA
4	<a href="#">1107122</a>	HOSE .188 ID WSW	12	FT
5	<a href="#">220055408</a>	BRACKET WIPER MOTOR	1	EA
6	<a href="#">1101694</a>	TEE WSWA U/T	1	EA
7	<a href="#">007363004</a>	WIPER ARM	1	EA
8	<a href="#">47004134</a>	BLADE 24IN BLACK	1	EA
9	<a href="#">47004507</a>	RSVR W/PUMP WSWA	1	EA
13	<a href="#">210063400</a>	BRACKET MOUNTING RSVR	1	EA
14	<a href="#">46021115</a>	CLIP BODY LARGE PAN	1	EA
15	<a href="#">47005901</a>	NUT	2	EA
16	<a href="#">47005902</a>	PIVOT COVER	2	EA
17	<a href="#">47005903</a>	SPACER	2	EA
18	<a href="#">47005900</a>	MOTOR WINDSHIELD WIPER	1	EA





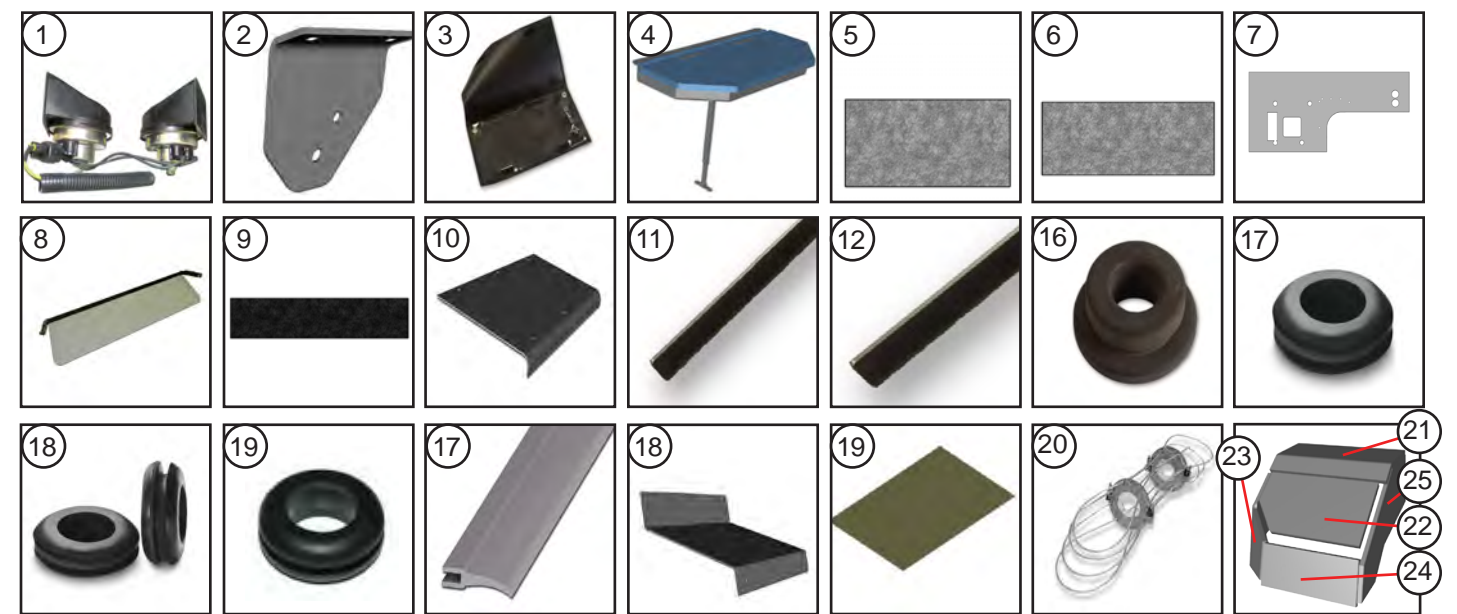


ITEM #	PART #	DESCRIPTION	QTY.	UNIT
1	<a href="#">90187300</a>	GRAB HANDLE	1	EA
2	<a href="#">47001082</a>	GRAB HANDLE 1" AL 31.875L 2.75DP ANZ	3	EA
3	<a href="#">47001047</a>	RAIL GRAB YELLOW (MOUNTING CLIP P/N 107005490)	1	EA
4	<a href="#">47009653</a>	CENTER CONSOLE CUP HOLDER	1	EA
5	<a href="#">47009644</a>	FIRST AID KIT - 10 PERSON	1	EA
6	<a href="#">43004362</a>	BAG PLASTIC DOCUMENTS WALK-IN VAN	1	EA
7	<a href="#">47009622</a>	FIRE EXTINGUISHER 5LB.	1	EA
8	<a href="#">1107308</a>	MUD FLAPS BLACK NO LOGO 20X24	1	PR
9	<a href="#">7504428</a>	RETAINER MUD FLAPS	2	EA
10	<a href="#">80795014</a>	ANGLE RETAINER MUD FLAPS	2	EA
11	<a href="#">46025017</a>	REFLECTOR RED SPITFIRE 2.88 DIA. X4	1	EA
12	<a href="#">46025018</a>	REFLECTOR AMBER SPITFIRE 2.88 DIA. X2	1	EA
13	<a href="#">100092400</a>	BRACKET DOME LAMP CAB AL .07X9X25	1	EA
14	<a href="#">100092401</a>	BRACKET DOME LAMP CARGO AL .07X7.75X24.75	2	EA
15	<a href="#">78331095</a>	PLATE TIE DOWN	23	EA
16	<a href="#">97650306</a>	ANGLE TIE DOWN	1	EA
17	<a href="#">47009547</a>	REFLECTOR KIT - TRIANGLES	1	EA
18	<a href="#">47009548</a>	BRACKET REFLECTOR FLARE KIT	1	EA
19	<a href="#">47006146</a>	STRAP - HAND CART		EA
20	<a href="#">47000689</a>	HANDLE SIDE BLACK W/O CYLINDER	2	EA
21	<a href="#">47001181</a>	CYLINDER REMOVABLE (CHROME)	3	EA



**TRIM - STEP ASSEMBLY**

- 22 - 083019418 - TRIM MAT @ O/LINE ALD .08X2.29X53
- 23 - 090019402 - TRIM STEP ALD .08X2.68X27.25 LH
- 24 - 090019403 - TRIM STEP ALD .08X2.68X27.25 RH
- 25 - 090019400 - TRIM TOEBOARD ALD .08X7.89X22.64 LH
- 25 - 168019401 - TRIM TOEBOARD ALD .08X7.89X37.91 REV.1
- 26 - 090019401 - TRIM TOEBOARD ALD .08X7.89X22.64 RH
- NS - 42002055 - INSUL SOUND ABSRB FLOORMAT 60X95

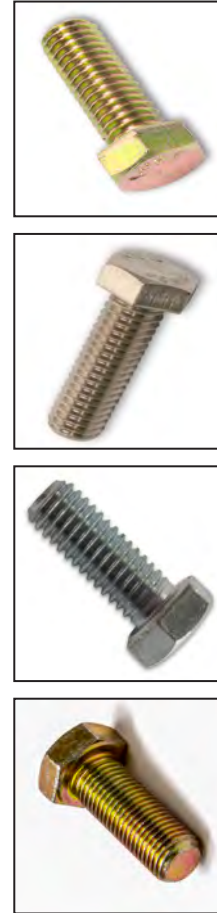


ITEM #	PART #	DESCRIPTION	QTY.	UNIT
1	<a href="#">115085004</a>	HORN INSTALLATION	1	EA
2	<a href="#">115085401</a>	MOUNTING BRACKET HORN	1	EA
3	<a href="#">1113430</a>	DOCUMENT POUCH	1	EA
4	<a href="#">47009282</a>	SHELF WORK STATION NO LOCK / DIVIDERS	1	EA
5	<a href="#">098137406</a>	PLATE STEP FBG .125X10X16 LH	1	EA
6	<a href="#">098137405</a>	PLATE STEP FBG .125X9.1X17 LH	1	EA
7	<a href="#">217116400</a>	INSULATION DASH WALL BTRLAX3-2A	1	EA
8	<a href="#">47005504</a>	SUNVISOR (BRACKET - 090061400 AL .102X2.5X13.97 RH)	2	EA
9	<a href="#">098137400</a>	PLATE STEP OVERLAY FBG .125X5X24.12 RH	1	EA
10	<a href="#">098137401</a>	PLATE STEP OVERLAY FBG .125X7.75X22 RH	1	EA
11	<a href="#">44008050</a>	SEAL BRUSH SIDE DOOR 1.0" X 83.9	2	EA
12	<a href="#">44004060</a>	SEAL BRUSH SIDE DOOR 1.5" X 82"	2	EA
13	<a href="#">1107072</a>	GROMMET G8010-016000	1	EA
14	<a href="#">1107109</a>	GROMMET 0.375X0.125X.0625	1	EA
15	<a href="#">44000052</a>	GROMMET .688X.125X1	3	EA
16	<a href="#">46004416</a>	GROMMET 1X.25X1.375	2	EA
17	<a href="#">44004002</a>	TRIM DRIP RAIL	7.5	FT
18	<a href="#">7907976</a>	LAMP GUARD REAR	2	EA
19	<a href="#">03M046010</a>	PLATE REINFORCEMENT A/C	1	EA
20	<a href="#">45600830</a>	LOCK CATALYTIC CONVERTER	1	EA
21	<a href="#">115028401</a>	ENGINE BOX INSULATION 42002056X13.55X28.25	1	EA
22	<a href="#">115028402</a>	ENGINE BOX INSULATION 42002056X14.28X31.29	1	EA
23	<a href="#">115028403</a>	ENGINE BOX INSULATION 42002056X15.09X33.05	1	EA
24	<a href="#">115028404</a>	ENGINE BOX INSULATION 42002056X21.25X30.59	1	EA
25	<a href="#">098005406</a>	ENGINE BOX INSULATION 42002056X19.58X30.72	1	EA



ITEM #	PART #	DESCRIPTION	QTY.	UNIT
1	46023508	SWITCH ROCKER CAB DOME SPST ON-OFF	1	EA
2	46023603	SWITCH ROCKER FRONT CARGO DOME SPDT ON-ON	1	EA
3	46029061	SWITCH ROCKER DASH FAN SPDT ON-OFF-ON	1	EA
4	46023533	SWITCH TOGGLE 3WAY WITH LEADS (REAR DOME LAMP)	1	EA
5	89860301	BRACKET SWITCH MOUNTING AL .102X3.25X8.85	1	EA
6	46001388	LAMP MARKER LED RED	7	EA
7	46001391	LAMP MARKER LED	1	EA
8	46001395	LAMP MARKER LED	6	EA
9	46004443	GROMMET 4" BLACK	6	EA
10	46001447	LAMP BACK UP LED	2	EA
11	46002266	LAMP COMBO STOP/TURN/TAIL	4	EA
12	47009642	LAMP LICENSE PLATE	2	EA
13	46002637	LAMP DOME RECESSED LED CAB	3	EA
14	100092400	BRACKET DOME LAMP CAB AL .07X9X25	1	EA
15	47006065	RING TUBE STEEL 4IN ROUND FLANGE MTD	3	EA
16	46002650	LAMP DOME RECESSED LED CARGO (BRACKET - 100092401)	2	EA
17	48200339	CAMERA BACKUP	1	EA
18	48200263	CAMERA SIDE FOR BLIND SPOT	1	EA
19	48200266	MONITOR 7"	1	EA
20	48200143	SWIVEL MOUNT - MONITOR	1	EA
21	230092402	BRACKET ROOF - WI-FI ANTENNA	1	EA
22	220084405	BRACKET OBDII CONNECTOR	1	EA
23	220084404	BRACKET - TELEMATICS	1	EA
24	46025559	ANTENNA TP/SI	1	EA
25	46000206	HEADLAMP RECTANGLE ASSEMBLY (BRACKET ONLY - 46000210)	2	EA
26	46027653	LAMP P/T LED FRONT AMBER / (GROMMET OVAL BLACK 46027656)	2	EA
27	46025621	RADIO AM/FM/BT/AUX	1	EA
28	46025590	SPEAKER 6.5 IN.	1	PR
29	46022608	CUP MOUNTING W/O TGL SW	1	EA
30	46030014	FAN DASH 2 SPEED 270CFM (GROMMET - 44000052)	1	EA
31	115085005	AMBIENT AIR TEMP SENSOR	1	EA

**HEX CAP SCREWS**



Size	Description	Thread	Lengths														
			.62	3/4"	1"	1-1/4"	1-1/2"	1-3/4"	2"	2-1/2"	3"	3-1/4"	4"				
1/4" Hex Cap Screw	GR5 ZC/RO	20						1117009									
1/4" Hex Cap Screw	GR5 ZC/RoHS	20			1101688								1117818				
1/4" Hex Cap Screw	18-8 Stainless	20		1117816		1117819											
1/4" Hex Cap Screw	ASTM F593C	20															
5/16" Hex Cap Screw	18-8 Stainless	18															
5/16" Hex Cap Screw	GR8 ZC/Y	18			1117045												40300737
5/16" Hex Cap Screw	ASTM F593	18			1117803				1117059								
5/16" Hex Cap Screw	GR5 ZC/R	16															
3/8" Hex Cap Screw	GR8 ZC/Y	18						1117049	1117055								
3/8" Hex Cap Screw	GR8 ZC/Y	16			1117843												
3/8" Hex Cap Screw	GR5 ZC/RO	16			47012646												
3/8" Hex Cap Screw	GR5 ZC/RoHS	16	40300056							1117097							
3/8" Hex Cap Screw	ASTM F593C	16								40300058							
7/16" Hex Cap Screw	GR8 ZC/Y	20								1117052							
1/2" Hex Cap Screw	GR5 ZC/RoHS	13															1117035
1/2" Hex Cap Screw	GR5 ZC/RO	13															
1/2" Hex Cap Screw	GR5 ZC/RoHS	13															
1/2" Hex Cap Screw	GR5 ZC	13															
5/8" Hex Cap Screw	GR5	11															40300259

ZC	Zinc Coated
GR	Grade
Y	Yellow
RO	
RoHS	AS9100C ISO 9001:2008
ASTM F593C	American Standards Measurements Specifications

	<b>Grade 5</b> Medium Carbon Steel
	<b>Grade 8</b> Medium Carbon Alloy Steel
	<b>Grade 2</b> Low or Medium Carbon Steel



ZP - ZINC PLATED

Standard	Thread	FIG.	#8	#10	DIA.					
					1/4"	5/16	3/8"	.44	1/2"	
NYLON LOCKING NUT, HEX	32	1		052266						
NYLON LOCKING NUT, HEX	24	1		40301303						
NYLON LOCKING NUT, HEX ZP	24	3		1117307						
NYLON LOCKING NUT, HEX ZP	20	3			1117310					
NYLON LOCKING NUT, HEX ZP	18	3				1117838				
NYLON LOCKING NUT, HEX ZP	16	3					1117344			
LOCKING NUT HEX FLANGE .44-20 OVAL	20	4						1217003		
NUTSERT EXPANDING NYL .275 SQ	20	5		40900006						
NUT NON LOCKING	24	2		1117303						
NUT NON LOCKING	20	2			1117312					
NUT NON LOCKING	16	2					1117316			
<b>GRADE 5</b>										
NUT STL LK LRG FLG GD5 .31-18	18	4				40100560				
NUT STL HEX LK B ZP .5-13 GR 5	13	1							1117283	
<b>Stainless</b>										
NUT SS LOCKING	32	3	1117347	1117699						
NUT SS LOCKING	24	6		1103354						
NUT SS LOCKING	20	6			1117336					
NUT SS NON LOCKING	20	7			40100044					
NUT SS ACORN LOW CROWN	20	8			40100061					
<b>Speciality</b>										
CHANNEL NUT WITH SPRING 1 X 1-1/4"	20	9			47009988					

Genuine OEM Parts

1.800.233.4823

www.morganolsonparts.com

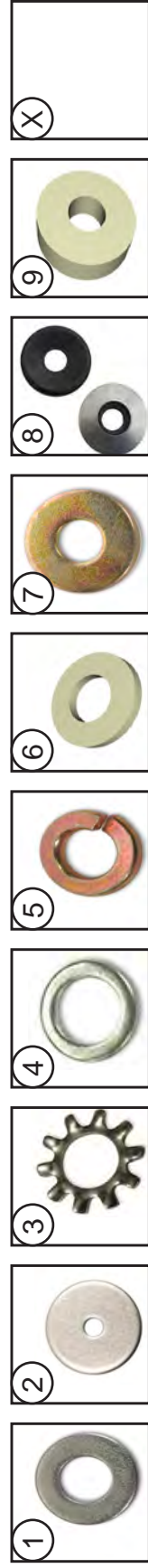


	Diameter	Fig.	.25	.312	.375	.438	.44	Length									
								.5	.562	.625	.687	.75	.875	1"			
<b>MAGNA LOCK</b>																	
HUCK R6-4	.188	1		1117084	1117061												
HUCK R8-6	.25	2		1117087													
PROTRUDING HEAD	.25	3			40200304		40200634			40200303							
FLUSH HEAD B6-4	.25	4								40200630							
RIV AL BRAIZER HEAD	.125	5		1117402	1117404	1117405				1117406							
RIV AL BRAIZER HEAD	.188	5		1117351	1117353	1117355				1117357	1117359	1117361	1117363	1117365			
RIV AL BRAIZER HEAD	.25	5								1117380					1117390	1117395	
RIV AL BRAIZER HEAD MOD	.25	5					40200214			1117409	1117410				1117408		
RIV AL FLAT HEAD	.188	7					1117436			1117438							
RIV AL FLAT HEAD POP	.25	7													40200630		
RIV AL DOME HEAD BLIND	.125	10	1117464														
RIV AL DOME HEAD BLIND	.188	10	1117456							1117458					1117459		
POP AL OPEN END BLIND	.125	6			1117421												
POP AL OPEN END BLIND	.188	6	1117456		1117457										1117459	1117458	
POP CLSD BLACK		8								40200629					40200631		
SNAP FASTNER		9								40900925							
BULB TYPE BLIND w/WASHER	.188	10			40200621					40200501							

Genuine OEM Parts

1.800.233.4823

www.morganolsonparts.com



Standard	Center	FIG.	3/8	1/2	9/16	5/8	3/4"	7/8	1"	1-1/4"	1-3/4"
#10 TYPE B FLAT WASHER ZINC/ROHS	.19	1		1117929							
#10 X 1 FENDER WASHER ZC	.19	2							1117950		
#10 EXTERNAL TOOTH LW ZC	.19	3	1117971								
1/4 EXTERNAL TOOTH LW ZC	1/4	3		1117975							
1/4 TYPE B NARROW FLAT WASHER	1/4	4		1117941							
1/4 USS FLAT WASHER ZC/ROHS	1/4	1				40000047					
1/4 F436 (A325) FLAT WASHER ZC/ROHS	1/4	1							1117952		
.266 X 1 FLAT WASHER .060 THK ZC/RO	1/4	1									
1/4 USS FLAT WASHER	1/4	1		1117885							
5/16 SPLIT LOCK WASHER ZC/ROHS	5/16	5	1117965								
5/16 USS FLAT WASHER ZC/ROHS	5/16	1						1117955			
3/8 USS FLAT WASHER ZC/ROHS	3/8	1						1117957			
3/8 X 1 FLAT WASHER 1/4 THK NYLON	3/8	6							40000038		
1/2 TYPE B REGULAR FLAT WASHER	1/2	1								40000050	
1/2 TYPE B REGULAR FLAT WASHER ZC	1/2	1								1117945	
1/2 TYPE B WIDE FLAT WASHER ZC/ROHS	1/2	1									1117959
<b>Grade 8</b>											
5/16 USS FLAT WASHER GR 8 ZC/Y	5/16	7						1117937			
3/8 USS FLAT WASHER GR 8 ZC/Y	3/8	7							1117947		
3/8 SAE FLAT WASHER GR 8 ZC/Y	3/8	7				40000046					
7/16 USS FLAT WASHER GR 8 ZC/Y	7/16	7								1217002	
1/2 SAE FLAT WASHER GR 8 ZC/Y	1/2	7							1117943		
<b>Stainless 18-8</b>											
#10 X 5/8 BONDED SEALER 18-8 SS	.19	8				40000053					
1/4 X 5/8 BONDED SEALER 18-8 SS	1/4	8				40000051					
3/8 X 3/4 BONDED SEALER 18-8 SS	3/8	8					40000054				
3/8 X 1" BONDED SEALER 18-8 SS	3/8	8							40000055		
1/4 EXTERNAL TOOTH SS LW ZC	1/4	3		40000510							
<b>Speciality</b>											
WASHER NYLON .13 X .62 ID X 1.38OD	5/8	9									137147429

Genuine OEM Parts

1.800.233.4823

www.morganolsonparts.com



	Diameter	Fig.	Length												
			.5	.625	.75	.875	1"	1-1/4"	1-1/2"	2-1/4"	3"				
<b>18-8 Stainless</b>															
PHILLIPS TRUSS M/S 18-8 SS	8 - 32	1		1117716											
PHILLIPS TRUSS M/S 18-8 SS	10 - 24	1	1117800	1117814	40300498			40300451	1117835						
PHILLIPS TRUSS M/S 18-8 SS	1/4 - 20	1			1117784				40300453	40300454					
PHILLIPS TRUSS M/S 18-8 SS	5/16 - 18	1			1117928										
PHILLIPS FLAT M/S 18-8 SS	10 - 32	2						1117830							
PHILLIPS FLAT M/S 18-8 SS	1/4 - 20	2						1117782							
PHILLIPS ROUND M/S 18-8 SS	10 - 24	6			40300809										
6 LOBE PAN T/C M/S 18-8 SS	1/4 - 20	9			1117209										
<b>Standard Steel RoHS</b>															
PHILLIPS ROUND M/S ZC/ROHS	8 - 32	6													
PHILLIPS PAN TEKS/3 ZC/ROHS	10 - 16	5			1117674										
PHILLIPS TRUSSM/S ZC/ROHS	10 - 24	1													1117793
PHILLIPS TRUSSM/S ZC/ROHS	10 - 32	1	1117723		1117688				1117715						
<b>T/C - Thread Cutting</b>															
PHIL PAN T/S TYPE A ZC	10	8													
PHIL TRUSS T/S TYPE A BLK	10	4							1117680						
PHIL PAN T/S TYPE A BLK	10	7							40300101						
PHIL PAN T/S TYPE A ZC	12	8			1117666				40300503						
6 LOBE PAN T/C	1/4 - 20	9													
									40300922						
										1117684					40300042



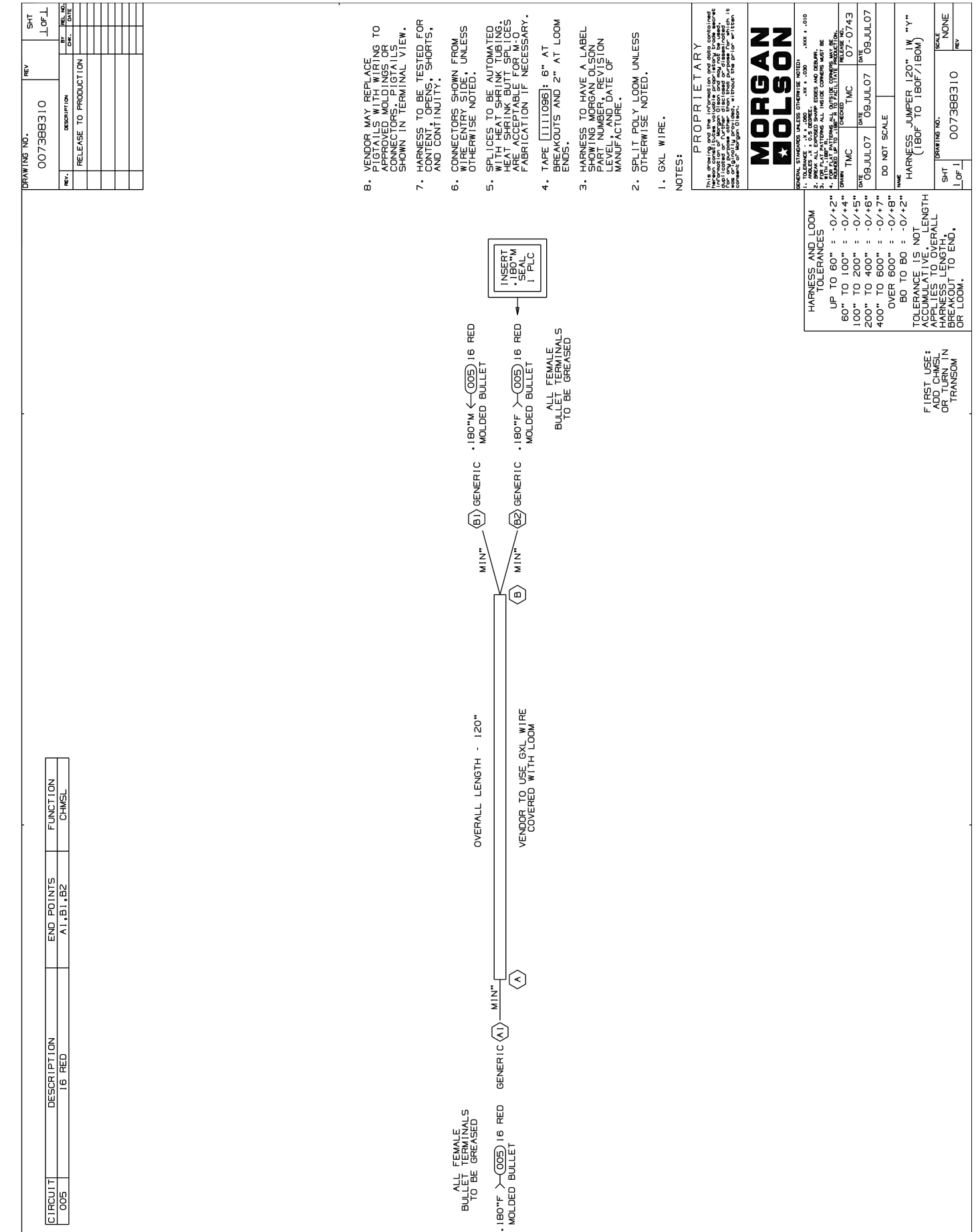
T/C Thread Cutting 6 Lobe Type A

Genuine OEM Parts

1.800.233.4823

www.morganolsonparts.com

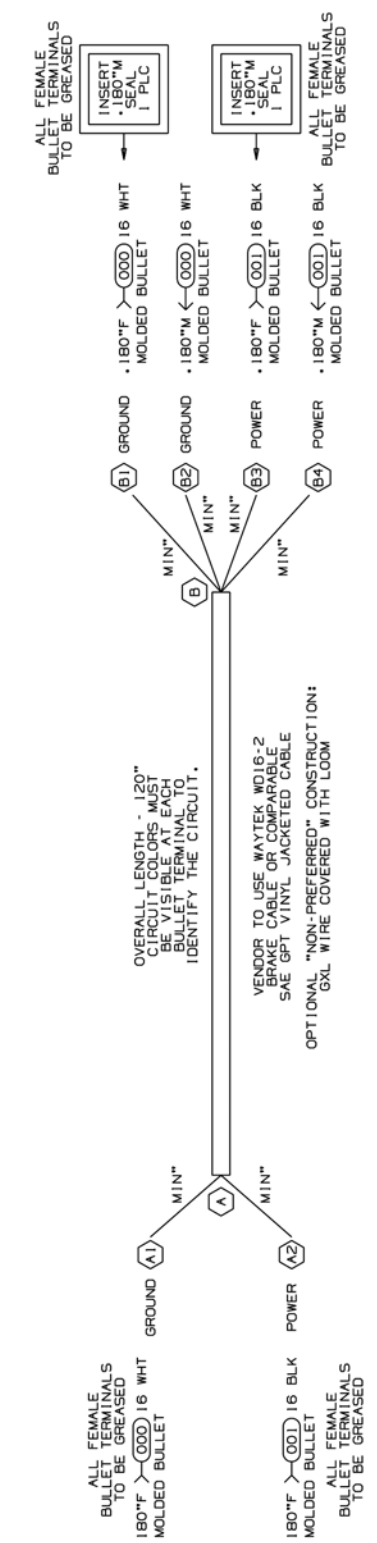
PAGE #	PART #	DESCRIPTION	QTY	UNIT
	<a href="#">007388310</a>	HARNESS JUMPER Y 1WR P&P X120	2	EA
	<a href="#">007388322</a>	HARNESS JUMPER Y 2WR P&P X120	1	EA
	<a href="#">46025591</a>	HARNESS SPEAKER	1	EA
	<a href="#">46025623</a>	HARNESS PIGTAIL POWER/SPEAKER	1	EA
	<a href="#">88117437</a>	HARNESS JUMPER TEE GNRC	1	EA
	<a href="#">88117500</a>	HARNESS JUMPER 3CIRC 3' (36")	1	EA
	<a href="#">88117510</a>	HARNESS JUMPER REAR 3WAY LOOSE CONN	1	EA
	<a href="#">082091200</a>	HARNESS POWER OPTION FROM BATTERY	1	EA
	<a href="#">090087200</a>	HARNESS REAR WIRING LH SILL WCC/FCC	1	EA
	<a href="#">090087202</a>	HARNESS REAR WIRING RH SILL WCC/FCC	1	EA
	<a href="#">090093202</a>	HARNESS JUMPER CARGO DOME LAMP	1	EA
	<a href="#">093093202</a>	HARNESS ROOF 17/20FT6IN M100	1	EA
	<a href="#">093093205</a>	HARNESS TRANSOM CHMSL READY M100	1	EA
	<a href="#">122092202</a>	HARNESS POWER POINT I/P 3RD	1	EA
	<a href="#">165084202</a>	HARNESS INSTRUMENT PANEL STD	1	EA
	<a href="#">167391200</a>	HARNESS ROOF/NOSE 85H STD	1	EA
	<a href="#">170087200</a>	HARNESS JUMPER SONAR POWER	1	EA
	<a href="#">185085200</a>	HARNESS HOOD F59 2020 W/HORN	1	EA
	<a href="#">185088200</a>	HARNESS CHASSIS INTERFACE F59 STD 2020	1	EA
	<a href="#">222079200</a>	HARNESS BLIND/SPOT TURN TRIGGER	1	EA



DRAWING NO.	REV	SHT
007388322		1 OF 1
NO.	DESCRIPTION	BY
	RELEASE TO PRODUCTION	DATE

CIRCUIT	DESCRIPTION	END POINTS	FUNCTION
000	16 WHT	A1, B1, B2	GROUND
001	16 BLK	A2, B3, B4	POWER

8. VENDOR MAY REPLACE PIGTAILS WITH WIRING TO APPROVED MOLDINGS OR CONNECTORS. PIGTAILS SHOWN IN TERMINAL VIEW.
7. HARNESS TO BE TESTED FOR CONTENT, OPENS, SHORTS, AND CONTINUITY.
6. CONNECTORS SHOWN FROM WIRE ENTRY SIDE, UNLESS OTHERWISE NOTED.
5. SPLICES TO BE AUTOMATED WITH HEAT SHRINK TUBING. HEAT SHRINK BUTT SPLICES ARE ACCEPTABLE FOR M-O FABRICATION IF NECESSARY.
4. TAPE [1111086]: 6" AT BREAKOUTS AND 2" AT LOOM ENDS.
3. HARNESS TO HAVE A LABEL SHOWING MORGAN OLSON PART NUMBER, REVISION LEVEL AND DATE OF MANUFACTURE.
2. SPLIT POLY LOOM UNLESS JACKETED CABLE IS USED.
1. JACKETED CABLE AS NOTED.



**PROPRIETARY**

This drawing and the information and data contained hereon are the property of Morgan Olson and shall remain the property of Morgan Olson. No part of this drawing is to be reproduced or transmitted in any form or by any means, electronic, mechanical, photocopying, recording, or by any information storage and retrieval system, without the prior written consent of Morgan Olson.

**MORGAN OLSON**

REVISIONS: U.S. WORK DATE: 09JUL07 09JUL07  
 1. TOLERANCES: U.S. WORK DATE: 09JUL07 09JUL07  
 2. AREA: ALL DIMENSIONS UNLESS OTHERWISE SPECIFIED  
 3. DIMENSIONS: UNLESS OTHERWISE SPECIFIED  
 4. DIMENSIONS: UNLESS OTHERWISE SPECIFIED

DATE: 09JUL07 TIME: 07-0743 SHEET: 09JUL07

DO NOT SCALE

NAME: DO NOT SCALE

HARNESS JUMPER 120" 2W "Y" (180F TO 180F/180M EACH CKT)

DRAWING NO.: 007388322

SCALE: NONE

REV: 1 OF 1

HARNESS AND LOOM TOLERANCES

UP TO 60"	= -0/+2"
60" TO 100"	= -0/+4"
100" TO 200"	= -0/+8"
200" TO 400"	= -0/+16"
400" TO 600"	= -0/+32"
OVER 600"	= -0/+64"

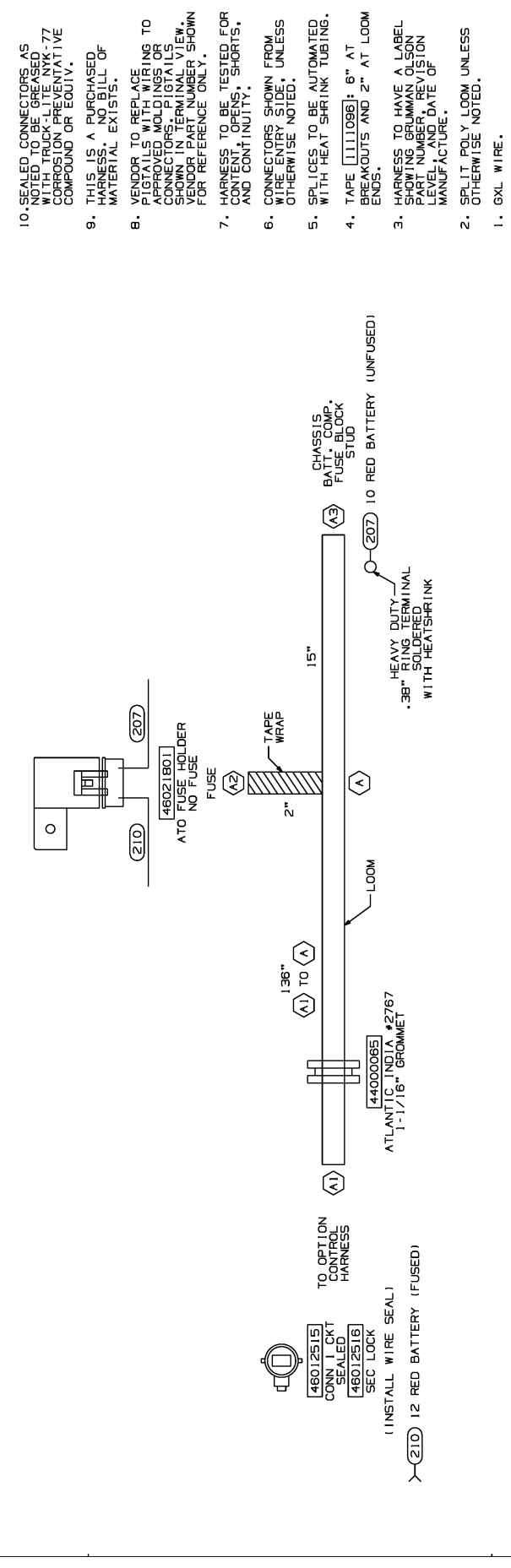
BO TO BO = -0/+2"

TOLERANCE IS NOT ACCUMULATIVE. OVERALL HARNESS LENGTH BREAKOUT TO END, OR LOOM.

FIRST USE: HARNESS BODY MARKER

DRAWING NO.	REV	SHT
082091200		1 OF 1
NO.	DESCRIPTION	BY
	RELEASE FOR PRODUCTION	DATE

CIRCUIT	GAUGE/COLOR	END POINTS	FUNCTION
207	10 RED	A2, A3	BATTERY (UNFUSED)
210	12 RED	A1, A2	BATTERY (FUSED)



HARNESS AND LOOM TOLERANCES

UP TO 60"	= -0/+2"
60" TO 100"	= -0/+4"
100" TO 200"	= -0/+8"
200" TO 400"	= -0/+16"
400" TO 600"	= -0/+32"
OVER 600"	= -0/+64"

BO TO BO = -0/+2"

TOLERANCE IS NOT ACCUMULATIVE. OVERALL HARNESS LENGTH BREAKOUT TO END, OR LOOM.

FIRST USE: HARNESS BODY MARKER

**PROPRIETARY**

This drawing and the information and data contained hereon are the property of Morgan Olson and shall remain the property of Morgan Olson. No part of this drawing is to be reproduced or transmitted in any form or by any means, electronic, mechanical, photocopying, recording, or by any information storage and retrieval system, without the prior written consent of Morgan Olson.

**MORGAN OLSON**

REVISIONS: U.S. WORK DATE: 08JAN08 08JAN08  
 1. TOLERANCES: U.S. WORK DATE: 08JAN08 08JAN08  
 2. AREA: ALL DIMENSIONS UNLESS OTHERWISE SPECIFIED  
 3. DIMENSIONS: UNLESS OTHERWISE SPECIFIED  
 4. DIMENSIONS: UNLESS OTHERWISE SPECIFIED

DATE: 08JAN08 TIME: 08JAN08 SHEET: 08JAN08

DO NOT SCALE

NAME: DO NOT SCALE

HARNESS JUMPER 120" 2W "Y" (180F TO 180F/180M EACH CKT)

DRAWING NO.: 082091200

SCALE: NONE

REV: 1 OF 1

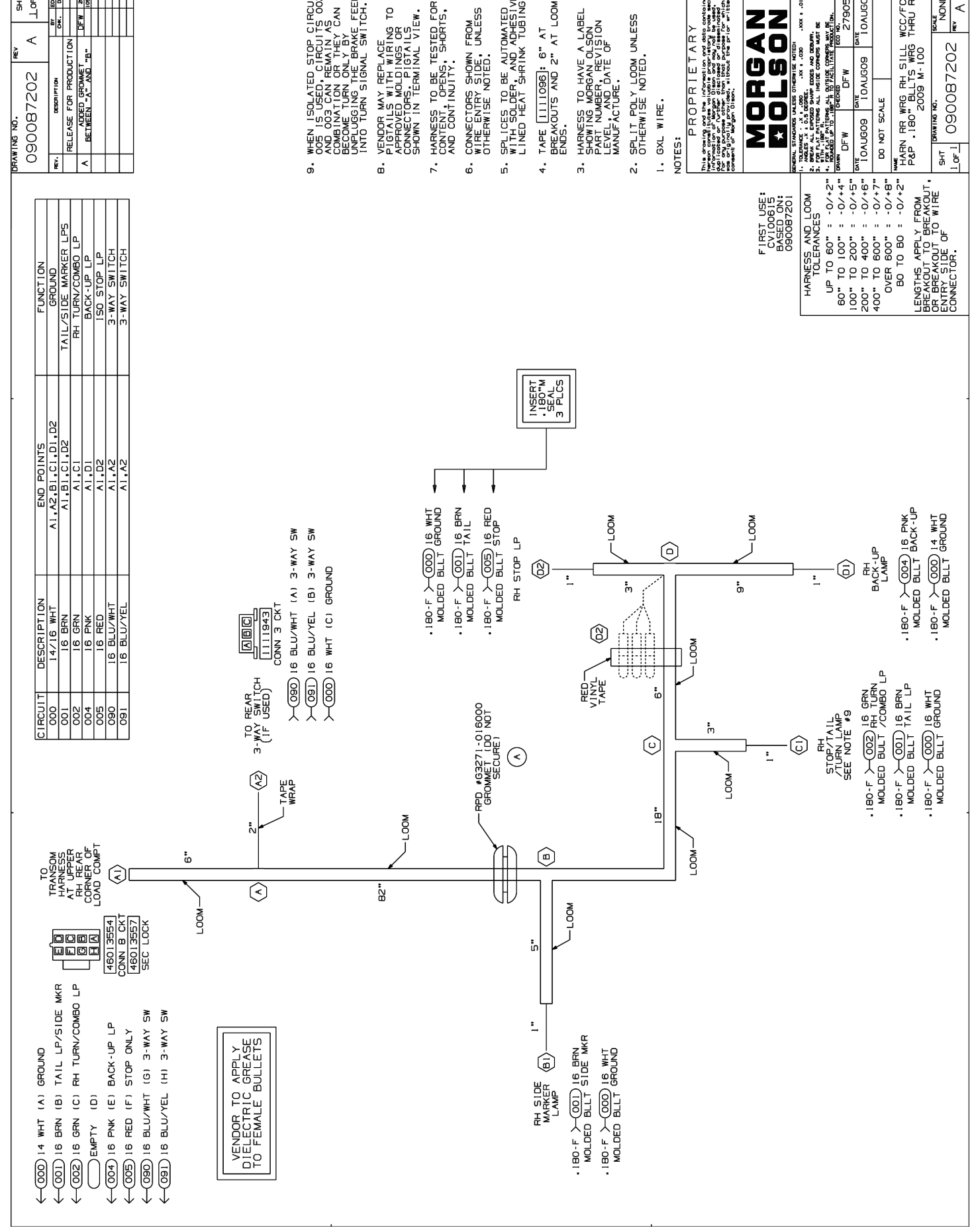
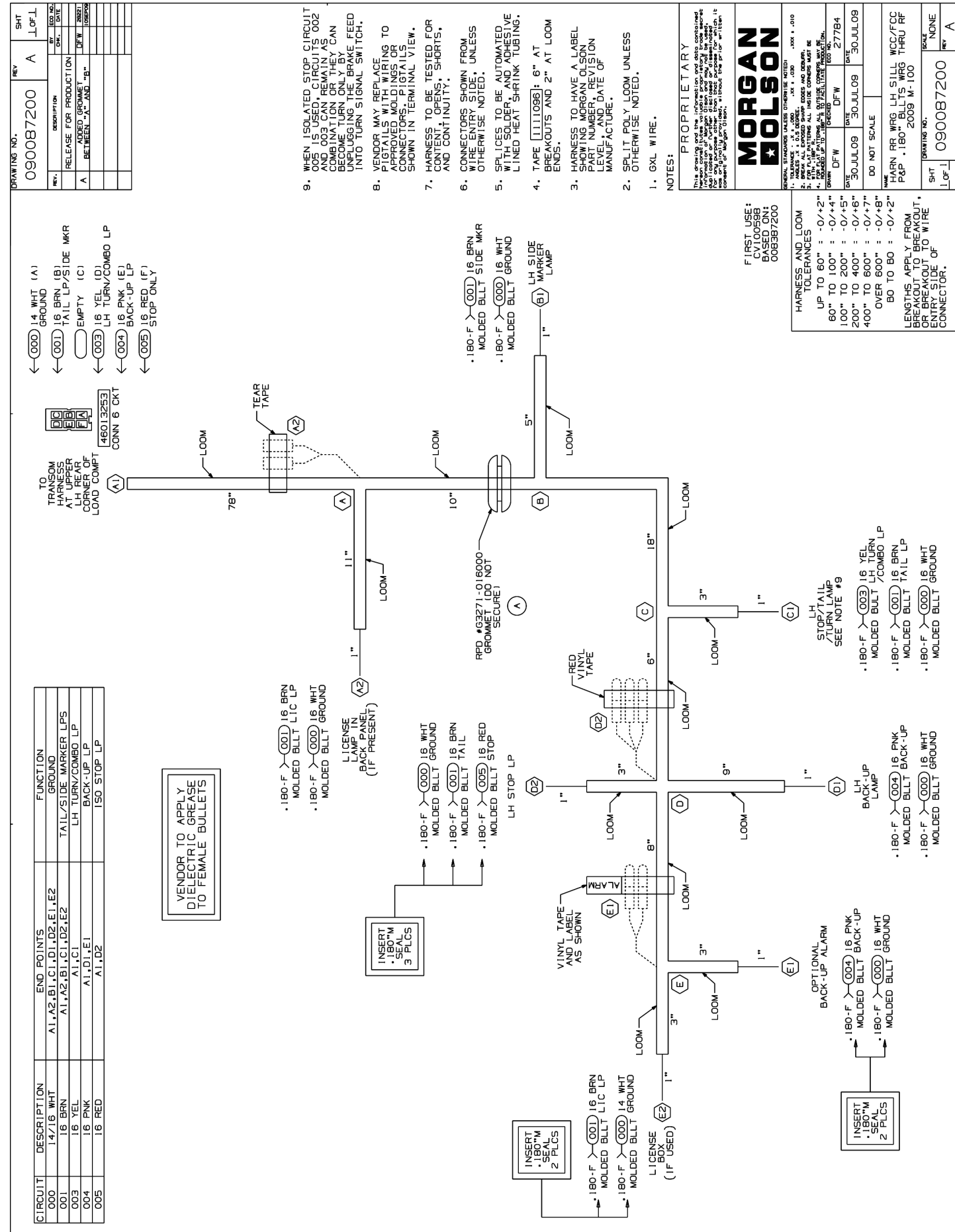
HARNESS AND LOOM TOLERANCES

UP TO 60"	= -0/+2"
60" TO 100"	= -0/+4"
100" TO 200"	= -0/+8"
200" TO 400"	= -0/+16"
400" TO 600"	= -0/+32"
OVER 600"	= -0/+64"

BO TO BO = -0/+2"

TOLERANCE IS NOT ACCUMULATIVE. OVERALL HARNESS LENGTH BREAKOUT TO END, OR LOOM.

FIRST USE: HARNESS BODY MARKER



DRAWING NO.	REV	SHT
090093202	A	1 OF 1
DESCRIPTION	BY	REC'D
RELEASE FOR PRODUCTION	CHK	DATE
A 80" WAS 64"	DWG	DATE
	REV	DATE

9. THIS IS A PURCHASED HARNESS. NO BILL OF MATERIAL EXISTS.
8. VENDORS MAY REPLACE PIGTAILS WITH WIRE APPROVED MOLDINGS OR CONNECTORS. PIGTAILS SHOWN IN TERMINAL VIEW.
7. HARNESS TO BE TESTED FOR CONTENT, OPENS, SHORTS, AND CONTINUITY.
6. CONNECTORS SHOWN FROM WIRE ENTRY SIDE UNLESS OTHERWISE NOTED.
5. SPLICES TO BE AUTOMATED WITH SOLDER AND ADHESIVE LINED HEAT SHRINK TUBING.
4. TAPE [1111096]: 6" AT BREAKOUTS, 2" AT 18" INTERVALS FOR UNINTERRUPTED LOOM LENGTHS GREATER THAN 24", AND 2" AT LOOM ENDS.
3. HARNESS TO HAVE A LABEL FOR IDENTIFICATION. PART NUMBER, REVISION LEVEL, AND DATE OF MANUFACTURE.
2. SPLIT POLY LOOM UNLESS OTHERWISE NOTED.
1. GXL WIRE.

NOTES:

PROPRIETARY

This drawing and the information and data contained herein are the property of Morgan Olson and may be used for any purpose other than that intended hereon without the express written consent of Morgan Olson.



GENERAL STANDARDS UNLESS OTHERWISE NOTED

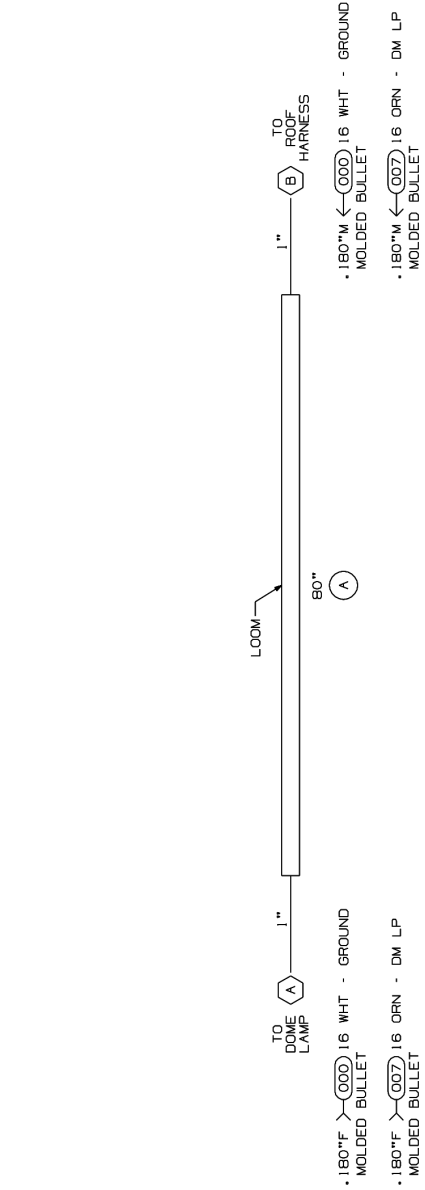
1. WIRE GAUGE - 18 AWG UNLESS OTHERWISE NOTED
2. WIRE COLOR - AS SHOWN UNLESS OTHERWISE NOTED
3. FOR ALL PARTS ALL INSIDE CORNERS MUST BE ROUNDED
4. FOR ALL PARTS ALL DIMENSIONS MUST BE TO CENTER UNLESS OTHERWISE NOTED
5. DIMENSIONS ARE IN INCHES UNLESS OTHERWISE NOTED

DFW	DATE	BY	REV
260CT08	-	260CT08	28B16
DO NOT SCALE			
NAME: HARN_JPR CRG D/LP GEN .180BLLT			
DRAWING NO.	SCALE	SHT	REV
090093202	NONE	1 OF 1	A

HARNESS AND LOOM TOLERANCES  
 UP TO 60" = -0/+2"  
 60" TO 100" = -0/+4"  
 100" TO 200" = -0/+5"  
 200" TO 400" = -0/+6"  
 400" TO 600" = -0/+7"  
 OVER 600" = -0/+8"  
 BO TO BO = -0/+2"

LENGTHS APPLY FROM BREAKOUT TO BREAKOUT. CUT BREAKOUT ON WIRE CENTERLINE. CUT ON TOP, OR END OF COVER.

FIRST USE: BASE ONZ 007388326



FEMALE BULLET TERMINALS TO BE GREASED

DRAWING NO.	REV	SHT
093093202	B	1 OF 2
DESCRIPTION	BY	REC'D
RELEASE TO PRODUCTION	CHK	DATE
A BULKHEAD TERMINAL	DWG	DATE
B REV'D DM LP B/O'S		

10. MAIN TRUNK OF HARNESS MUST FIT IN A .75 DIA. WIRE CHANNEL.
9. THIS IS A PURCHASED HARNESS. NO BILL OF MATERIAL EXISTS.
8. VENDOR MAY REPLACE PIGTAILS WITH WIRING TO APPROVED MOLDINGS OR CONNECTORS. PIGTAILS SHOWN IN TERMINAL VIEW.
7. HARNESS TO BE TESTED FOR CONTENT, OPENS, SHORTS, AND CONTINUITY.
6. CONNECTORS SHOWN FROM WIRE ENTRY SIDE, UNLESS OTHERWISE NOTED.
5. SPLICES TO BE AUTOMATED WITH HEAT SHRINK TUBING. HEAT SHRINK BUILT SPLICES ARE ACCEPTABLE FOR M-O FABRICATION IF NECESSARY.
4. TAPE [1111096]: 6" AT BREAKOUTS AND 2" AT LOOM ENDS.
3. HARNESS TO HAVE A LABEL FOR IDENTIFICATION. PART NUMBER, REVISION LEVEL, AND DATE OF MANUFACTURE.
2. SPLIT POLY LOOM UNLESS OTHERWISE NOTED.
1. GXL WIRE.

NOTES:

PROPRIETARY

This drawing and the information and data contained herein are the property of Morgan Olson and may be used for any purpose other than that intended hereon without the express written consent of Morgan Olson.



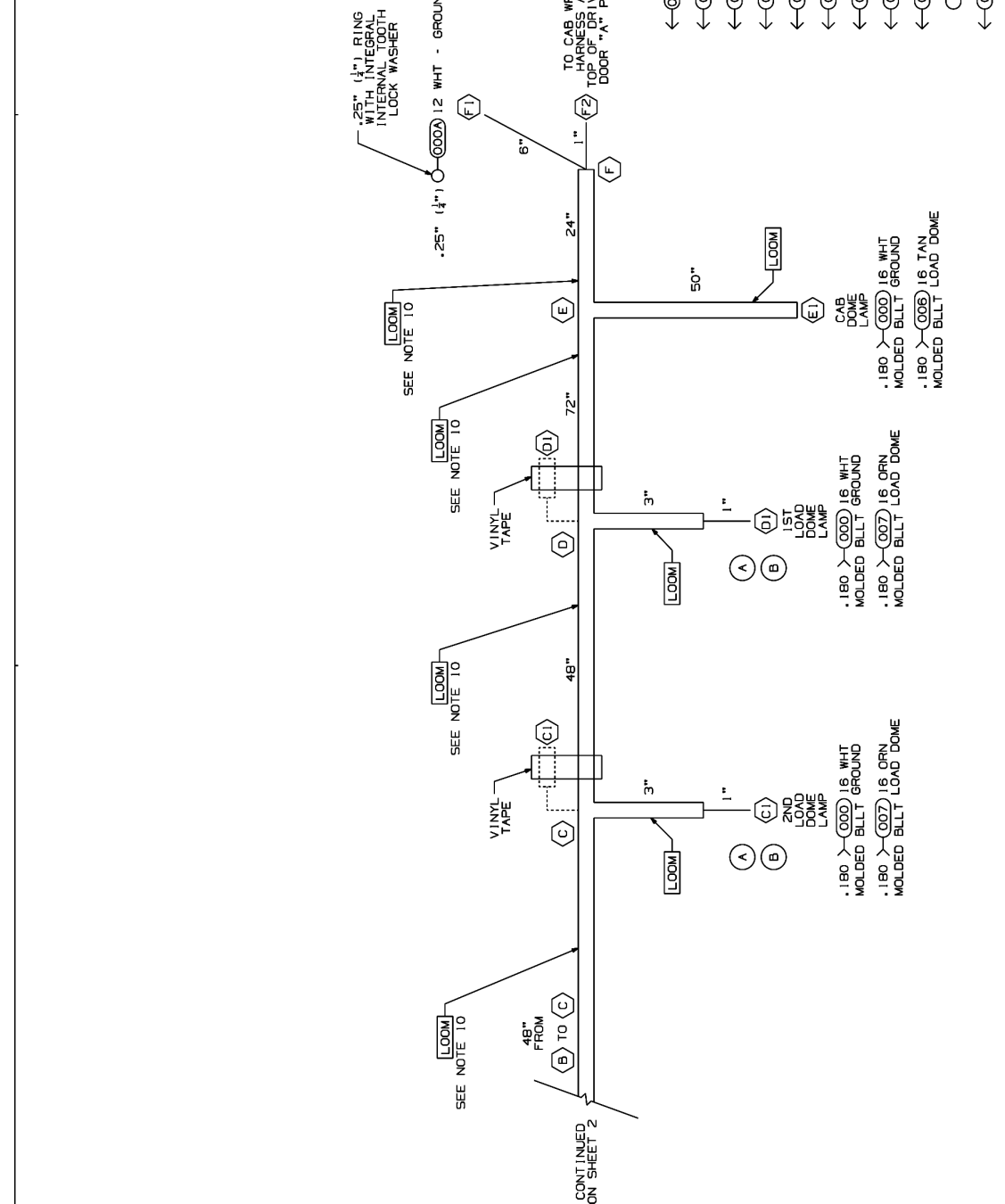
GENERAL STANDARDS UNLESS OTHERWISE NOTED
1. WIRE GAUGE - 18 AWG UNLESS OTHERWISE NOTED
2. WIRE COLOR - AS SHOWN UNLESS OTHERWISE NOTED
3. FOR ALL PARTS ALL INSIDE CORNERS MUST BE ROUNDED
4. FOR ALL PARTS ALL DIMENSIONS MUST BE TO CENTER UNLESS OTHERWISE NOTED
5. DIMENSIONS ARE IN INCHES UNLESS OTHERWISE NOTED

DFW	DATE	BY	REV
14APR09	-	07-1858	28DEC07
DO NOT SCALE			
NAME: HARN_BOOF 17.20.6" M100 TRUCK .180F BLT			
DRAWING NO.	SCALE	SHT	REV
093093202	NONE	1 OF 2	B

HARNESS AND LOOM TOLERANCES  
 UP TO 60" = -0/+2"  
 60" TO 100" = -0/+4"  
 100" TO 200" = -0/+5"  
 200" TO 400" = -0/+6"  
 400" TO 600" = -0/+7"  
 OVER 600" = -0/+8"  
 BO TO BO = -0/+2"

LENGTHS APPLY FROM BREAKOUT TO BREAKOUT. CUT BREAKOUT ON WIRE CENTERLINE. CUT ON TOP, OR END OF COVER.

FIRST USE: BASE ONZ 007388326





# WIRING DIAGRAMS

DRAWING NO.	REV	SHT
093093202	B	2 OF 2
REV.	DESCRIPTION	BY
	RELEASE TO PRODUCTION	
A	REV'D OM LP B/O'S	
B	REV'D OM LP B/O'S	

[SPLICE 1]  
000A 12 WHT IS TO BE  
SPliced TO THE  
000 WHT CIRCUIT  
VENDOR TO DETERMINE  
LOCATION(S)

CIRCUIT	DESCRIPTION	END POINTS	FUNCTION
000A	12 WHT	A1,F1,F2,SPlice 1	GROUND
000	14/16 WHT	A2,B1,C1,D1,E1,SPlice 1	GROUND
001	16 BRN	A1,F2	CLER/ICC LFS
002	16 GRN	A1,F2	RH TURN LP
003	16 YEL	A1,F2	LH TURN LP
004	16 Pnk	A1,F2	BACK-UP LPS
005	16 RED	A1,F2	STOP LFS
006	16 TAN	A1,F2	CAB DOME LP
007	14/16 GRN	A1,F2	LOAD DOME LAMPS
090	16 BLU/WHT	A2,B1,C1,D1,F2	3-WAY SWITCH - LOAD DNS
091	16 BLU/YEL	A1,F2	3-WAY SWITCH - LOAD DNS

10. MAIN TRUNK OF HARNESS MUST FIT IN A .75 DIA. WIRE CHANNEL.
9. THIS IS A PURCHASED HARNESS. NO BILL OF MATERIAL EXISTS.
8. VENDOR MAY REPLACE PIGTAILS WITH WIRING TO APPROVED MOLDINGS OR CONNECTORS. PIGTAILS SHOWN IN TERMINAL VIEW.
7. HARNESS TO BE TESTED FOR CONTENT, OPENS, SHORTS, AND CONTINUITY.
6. CONNECTORS SHOWN FROM WIRE ENTRY SIDE, UNLESS OTHERWISE NOTED.
5. SPLICES TO BE AUTOMATED WITH HEAT SHRINK TUBING. HEAT SHRINK BUILT SPLICES ARE ACCEPTABLE FOR M-O FABRICATION IF NECESSARY.
4. TAPE [1111098]: 6" AT BREAKOUTS AND 2" AT LOOM ENDS.
3. HARNESS TO HAVE A LABEL SHOWING MORGAN OLSON PART NUMBER, PART NUMBER LEVEL AND DATE OF MANUFACTURE.
2. SPLIT POLY LOOM UNLESS OTHERWISE NOTED.
1. GXL WIRE.

### NOTES:

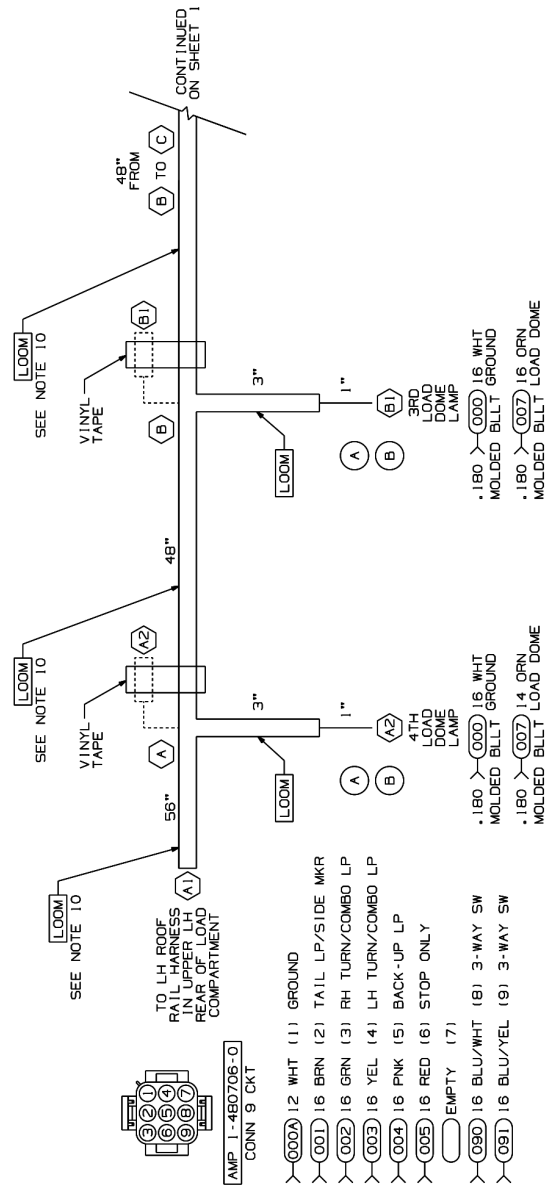
#### PROPRIETARY

THIS DRAWING IS THE PROPERTY OF MORGAN OLSON. IT IS TO BE USED ONLY FOR THE PURPOSES AND IN THE MANNER SPECIFIED HEREIN. IT IS NOT TO BE REPRODUCED, COPIED, OR TRANSMITTED IN ANY FORM OR BY ANY MEANS, ELECTRONIC OR MECHANICAL, INCLUDING PHOTOCOPYING, RECORDING, OR BY ANY INFORMATION STORAGE AND RETRIEVAL SYSTEM. VIOLATION OF THESE TERMS SHALL BE SUBJECT TO LEGAL ACTION.

**MORGAN OLSON**

GENERAL STANDARD UNLESS OTHERWISE NOTED  
 1. ALL DIMENSIONS ARE IN INCHES  
 2. DIMENSIONS IN PARENTHESIS ARE SUGGESTED  
 3. DIMENSIONS IN PARENTHESIS ARE SUGGESTED  
 4. DIMENSIONS IN PARENTHESIS ARE SUGGESTED  
 5. DIMENSIONS IN PARENTHESIS ARE SUGGESTED  
 6. DIMENSIONS IN PARENTHESIS ARE SUGGESTED  
 7. DIMENSIONS IN PARENTHESIS ARE SUGGESTED  
 8. DIMENSIONS IN PARENTHESIS ARE SUGGESTED  
 9. DIMENSIONS IN PARENTHESIS ARE SUGGESTED  
 10. DIMENSIONS IN PARENTHESIS ARE SUGGESTED

DRAWING NO. 093093202  
 REV. B  
 SHEET 2 OF 2  
 SCALE NONE



HARNESS AND LOOM TOLERANCES

UP TO 60"	±0/+2"
60" TO 100"	±0/+4"
100" TO 200"	±0/+5"
200" TO 400"	±0/+6"
400" TO 600"	±0/+7"
OVER 600"	±0/+8"

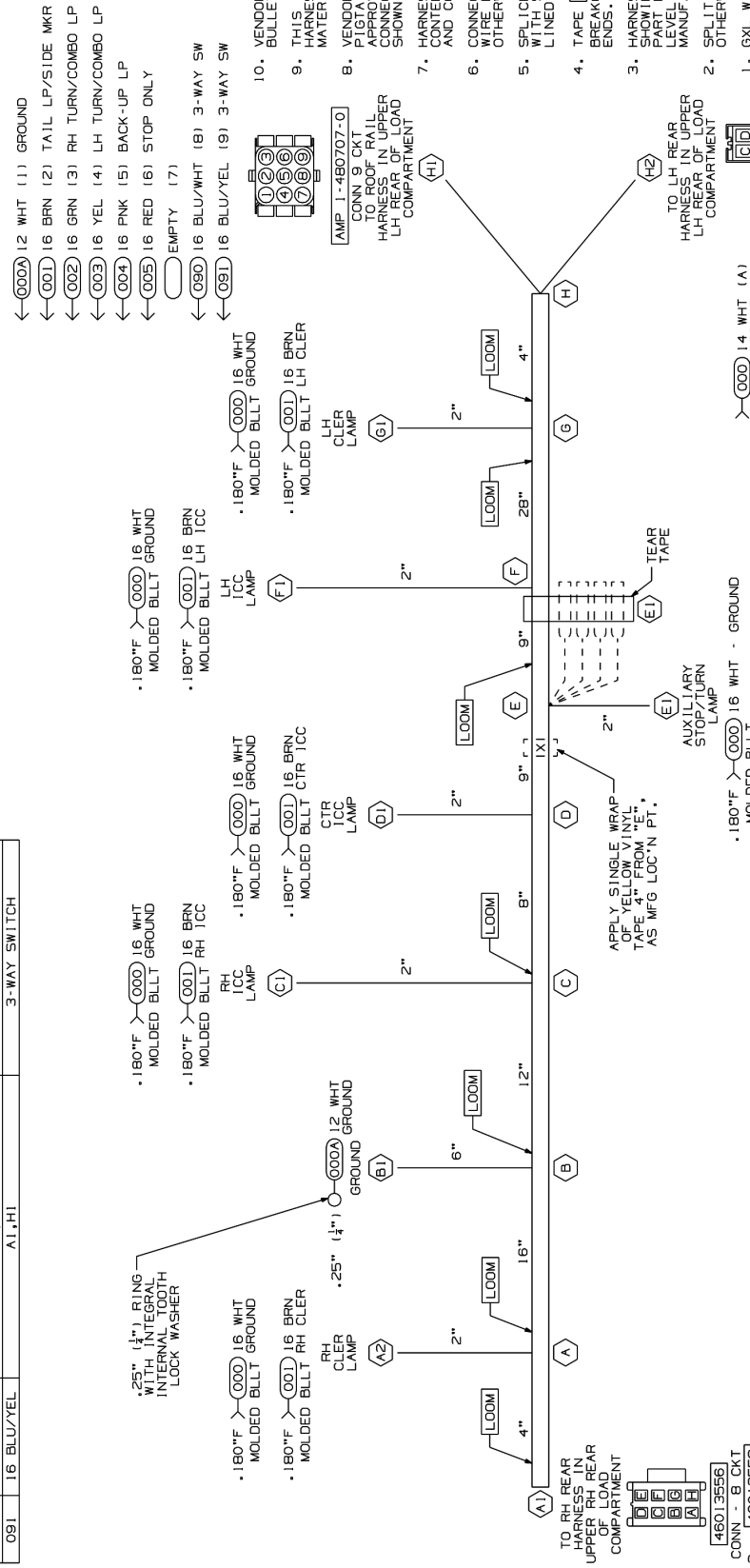
BO TO BO = ±0/+2"  
 TOLERANCE IS NOT LENGTH APPLICABLE TO OVERALL HARNESS LENGTH, BREAKOUT TO END, OR LOOM.

# WIRING DIAGRAMS

DRAWING NO.	REV	SHT
093093205	B	1 OF 1
REV.	DESCRIPTION	BY
	RELEASE TO PRODUCTION	
A	REDRAWN & REVISED	
B	CONSOLIDATED TO MTS	

[SPLICE 1]  
000A 12 WHT IS TO BE  
SPliced TO THE  
000 WHT CIRCUIT  
VENDOR TO DETERMINE  
LOCATION(S)

CIRCUIT	DESCRIPTION	END POINTS	FUNCTION
000A	12 WHT	A1,B1,HI,SPlice 1	GROUND
000	14/16 WHT	A2,C1,D1,E1,F1,G1,H2,SPlice 1	GROUND
001	16 BRN	A1,A2,C1,D1,F1,G1,HI,H2	CLER/ICC/MARKER LAMPS
002	16 GRN	A1,E1,HI,H2	RH TURN/COMBO LP
003	16 YEL	E1,HI,H2	LH TURN/COMBO LP
004	16 Pnk	A1,HI,H2	BACK-UP LAMPS
005	16 RED	A1,E1,HI,H2	STOP ONLY LAMPS
090	16 BLU/WHT	A1,HI	3-WAY SWITCH
091	16 BLU/YEL	A1,HI	3-WAY SWITCH



HARNESS AND LOOM TOLERANCES

UP TO 60"	±0/+2"
60" TO 100"	±0/+4"
100" TO 200"	±0/+5"
200" TO 400"	±0/+6"
400" TO 600"	±0/+7"
OVER 600"	±0/+8"

BO TO BO = ±0/+2"  
 TOLERANCE IS NOT LENGTH APPLICABLE TO OVERALL HARNESS LENGTH, BREAKOUT TO WIRE ENTRY POINT, OR END OF COVER.

DRAWING NO. 093093205  
 REV. B  
 SHEET 1 OF 1  
 SCALE NONE

DRAWING NO.	REV	SHT
122092202	-	1 OF 1
DESCRIPTION	BY	DATE
RELEASE FOR PRODUCTION		

VENDOR TO KEEP LOOM SIZE AS SMALL AS POSSIBLE

9. THIS IS A PURCHASED HARNESS. NO BILL OF MATERIAL EXISTS.
8. VENDOR MAY REPLACE PIGTAILS WITH WIRING TO APPROVED MOLDINGS OR CONNECTORS. PIGTAILS SHOWN FOR TERMINAL VIEW, UNLESS OTHERWISE NOTED.
7. HARNESS TO BE TESTED FOR AND CONTINUITY.
6. CONNECTORS SHOWN FROM THE ENTRY SIDE, UNLESS OTHERWISE NOTED.
5. SPLICES TO BE AUTOMATED WITH SOLDER, AND ADHESIVE LINED HEAT SHRINK TUBING.
4. TAPE [1111098]: 6" AT ENDS.
3. HARNESS TO HAVE A LABEL WITH MORGAN OLSON PART NUMBER, REVISION LEVEL, AND DATE OF MANUFACTURE.
2. SPLIT POLY LOOM UNLESS OTHERWISE NOTED.
1. GXL WIRE.

**PROPRIETARY**

**MORGAN OLSON**

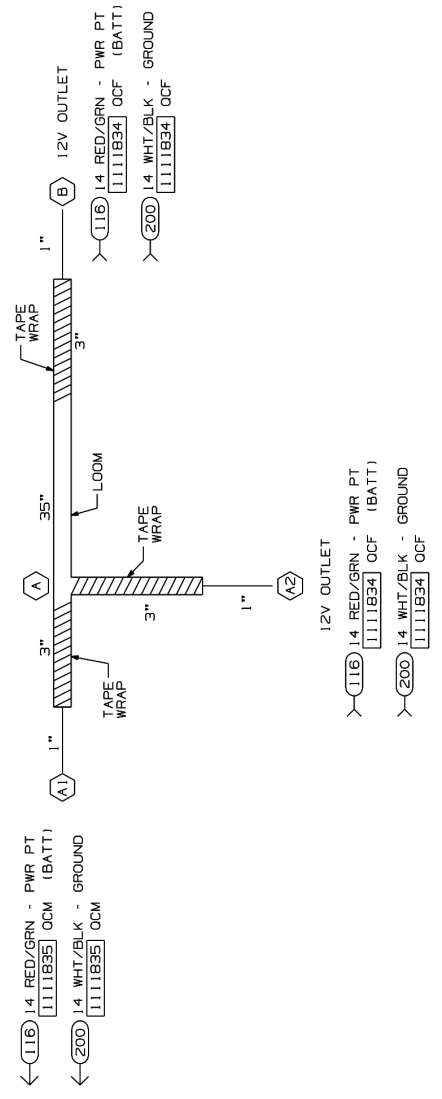
FOR INFORMATION ONLY: THIS HARNESS IS THE PROPERTY OF MORGAN OLSON. IT IS NOT TO BE REPRODUCED OR TRANSMITTED IN ANY FORM OR BY ANY MEANS, ELECTRONIC OR MECHANICAL, INCLUDING PHOTOCOPYING, RECORDING, OR BY ANY INFORMATION STORAGE AND RETRIEVAL SYSTEM.

FIRST USE: CV101441 BASED ON: 122092200

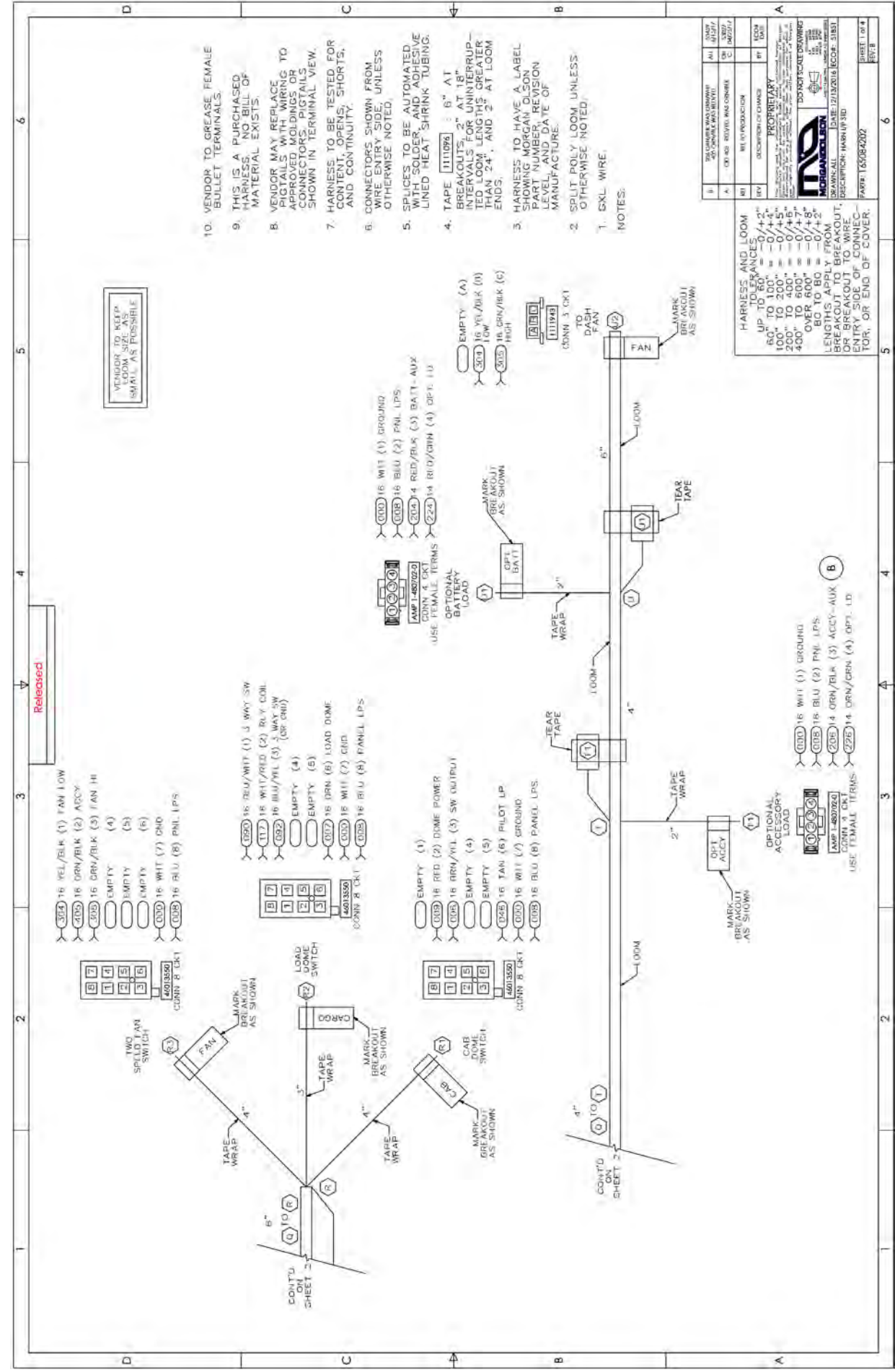
HARNES AND LOOM TOLERANCES  
 UP TO 60" : -0/+2"  
 60" TO 100" : -0/+4"  
 100" TO 200" : -0/+5"  
 200" TO 400" : -0/+6"  
 400" TO 600" : -0/+7"  
 OVER 600" : -0/+8"  
 BO TO BO : -0/+2"

LENGTHS APPLY FROM BREAKOUT TO BREAKOUT OR BREAKOUT TO WIRE ENTRY SIDE OF CONNECTOR.

DATE: 28AUG12 DATE: 04SEP12  
 DRAWN: JKP  
 DO NOT SCALE RSF 2012  
 NAME: HARN PWR PNT 1/P QTY3  
 SHEET: 1 OF 1 DRAWING NO.: 122092202  
 SCALE: NONE  
 REV: -



HARN PWR PNT 1/P QTY3  
 SHEET 1 OF 1  
 DRAWING NO. 122092202  
 SCALE NONE  
 REV -



10. VENDOR TO GREASE FEMALE BULLET TERMINALS.
9. THIS IS A PURCHASED HARNESS. NO BILL OF MATERIAL EXISTS.
8. VENDOR MAY REPLACE PIGTAILS WITH WIRING TO APPROVED MOLDINGS OR CONNECTORS. PIGTAILS SHOWN IN TERMINAL VIEW, UNLESS OTHERWISE NOTED.
7. HARNESS TO BE TESTED FOR CONTENT, OPENS, SHORTS, AND CONTINUITY.
6. CONNECTORS SHOWN FROM WIRE ENTRY SIDE, UNLESS OTHERWISE NOTED.
5. SPLICES TO BE AUTOMATED WITH SOLDER, AND ADHESIVE LINED HEAT SHRINK TUBING.
4. TAPE [1111098]: 6" AT BREAKOUTS, 2" AT 18" INTERVALS FOR UNINTERRUPTED THE LOOM. LENGTHS AT LOOM ENDS.
3. HARNESS TO HAVE A LABEL WITH MORGAN OLSON PART NUMBER, REVISION LEVEL, AND DATE OF MANUFACTURE.
2. SPLIT POLY LOOM UNLESS OTHERWISE NOTED.
1. GXL WIRE.

**PROPRIETARY**

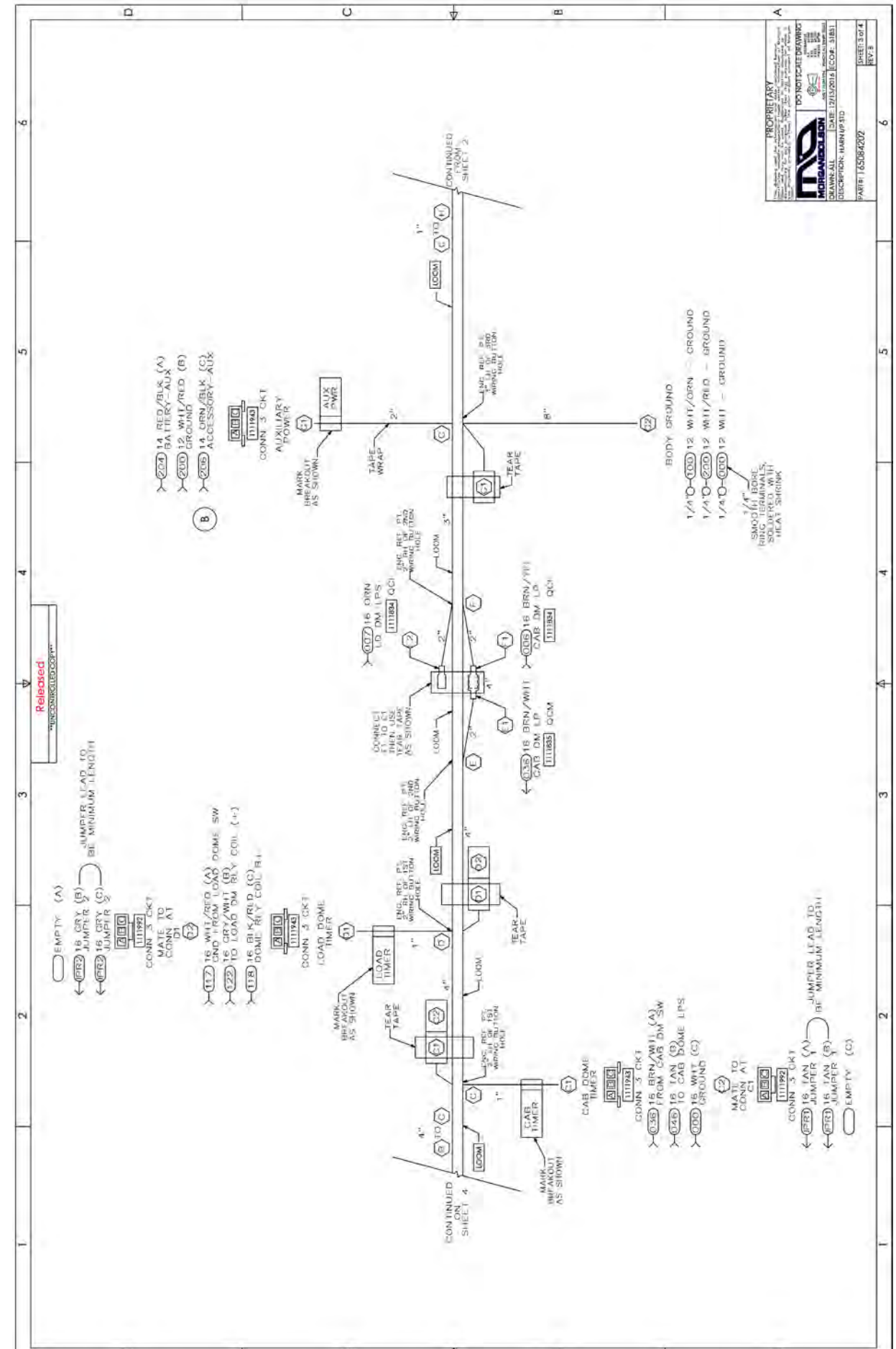
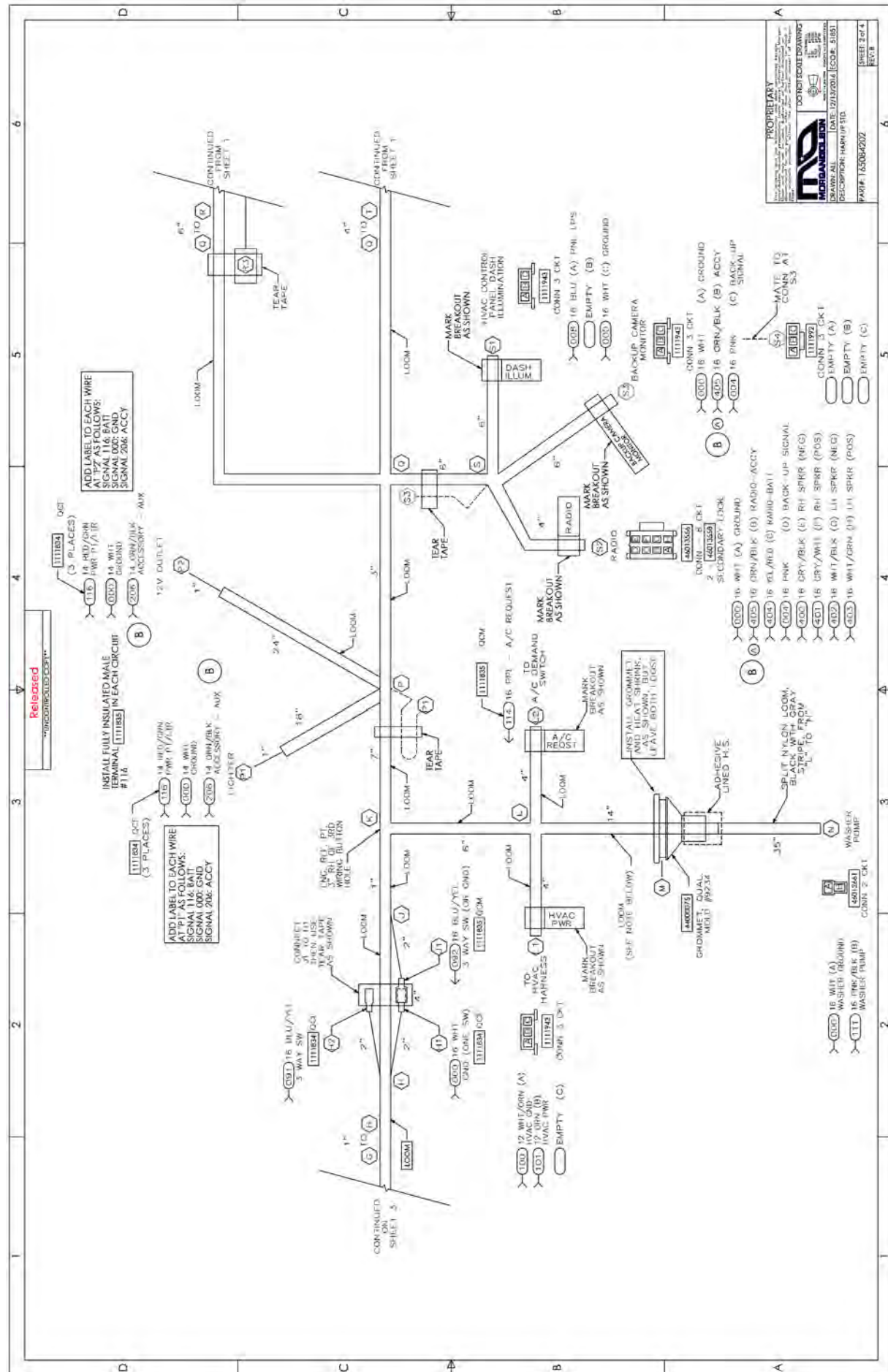
**MORGAN OLSON**

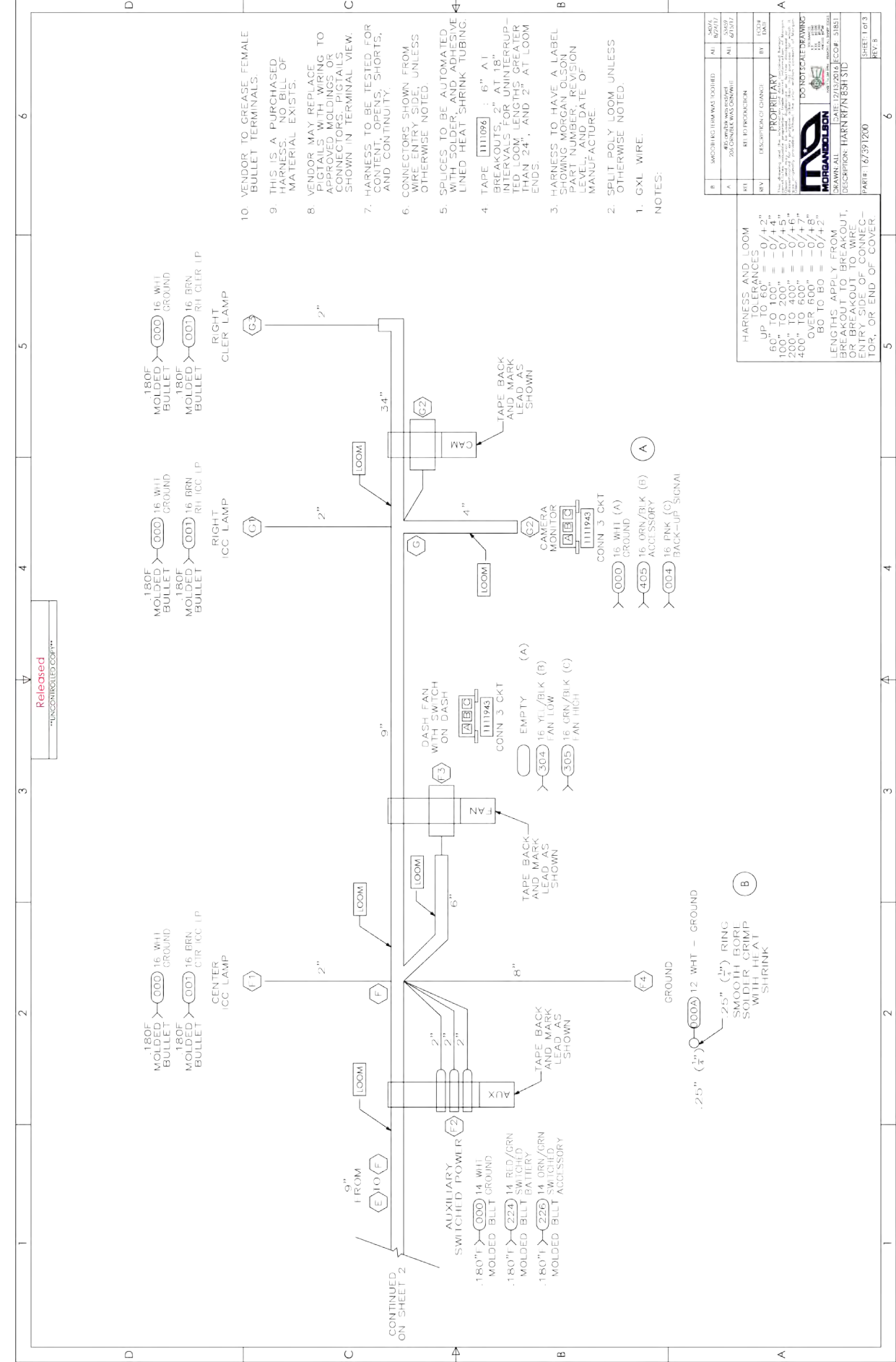
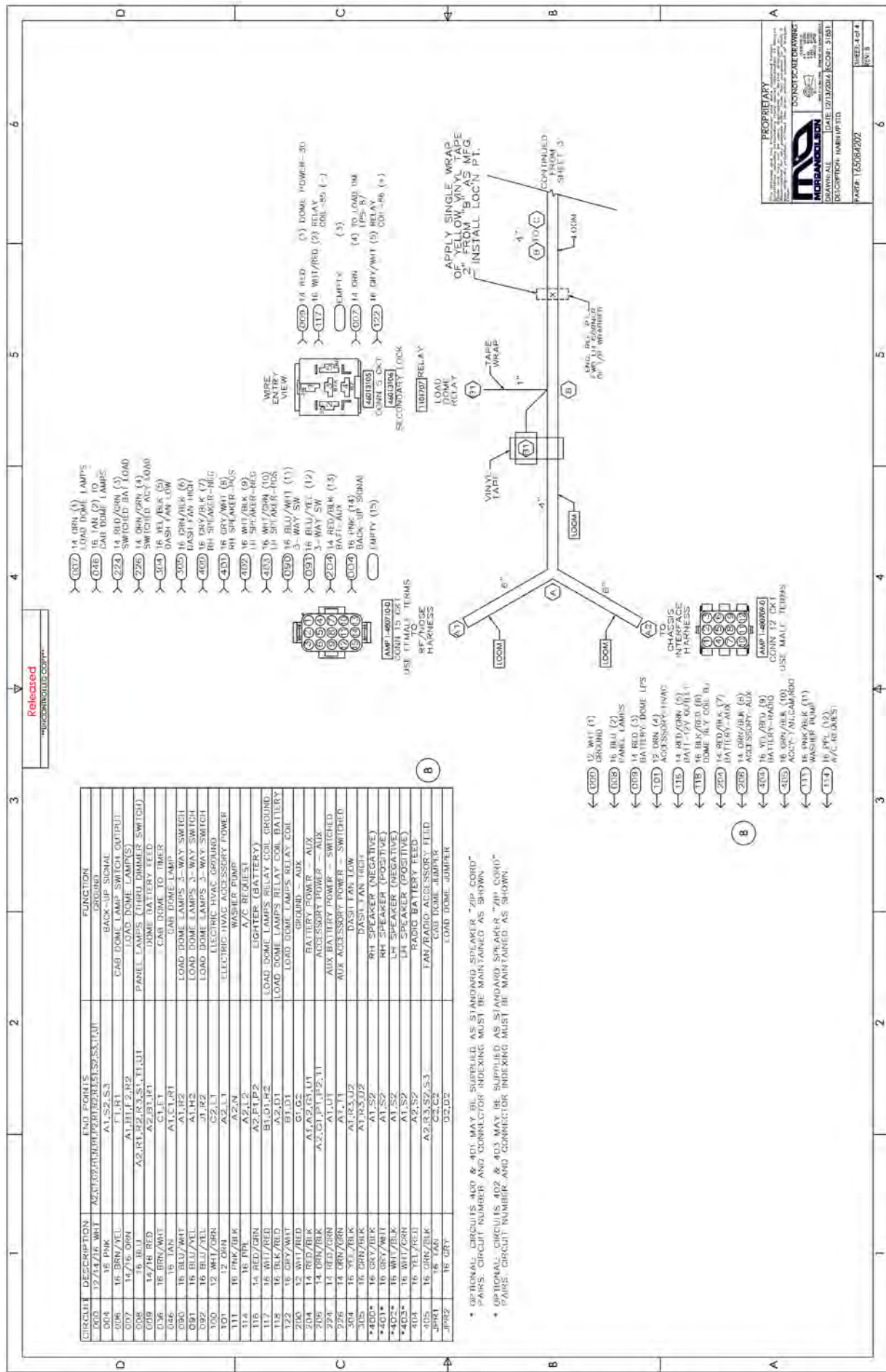
FOR INFORMATION ONLY: THIS HARNESS IS THE PROPERTY OF MORGAN OLSON. IT IS NOT TO BE REPRODUCED OR TRANSMITTED IN ANY FORM OR BY ANY MEANS, ELECTRONIC OR MECHANICAL, INCLUDING PHOTOCOPYING, RECORDING, OR BY ANY INFORMATION STORAGE AND RETRIEVAL SYSTEM.

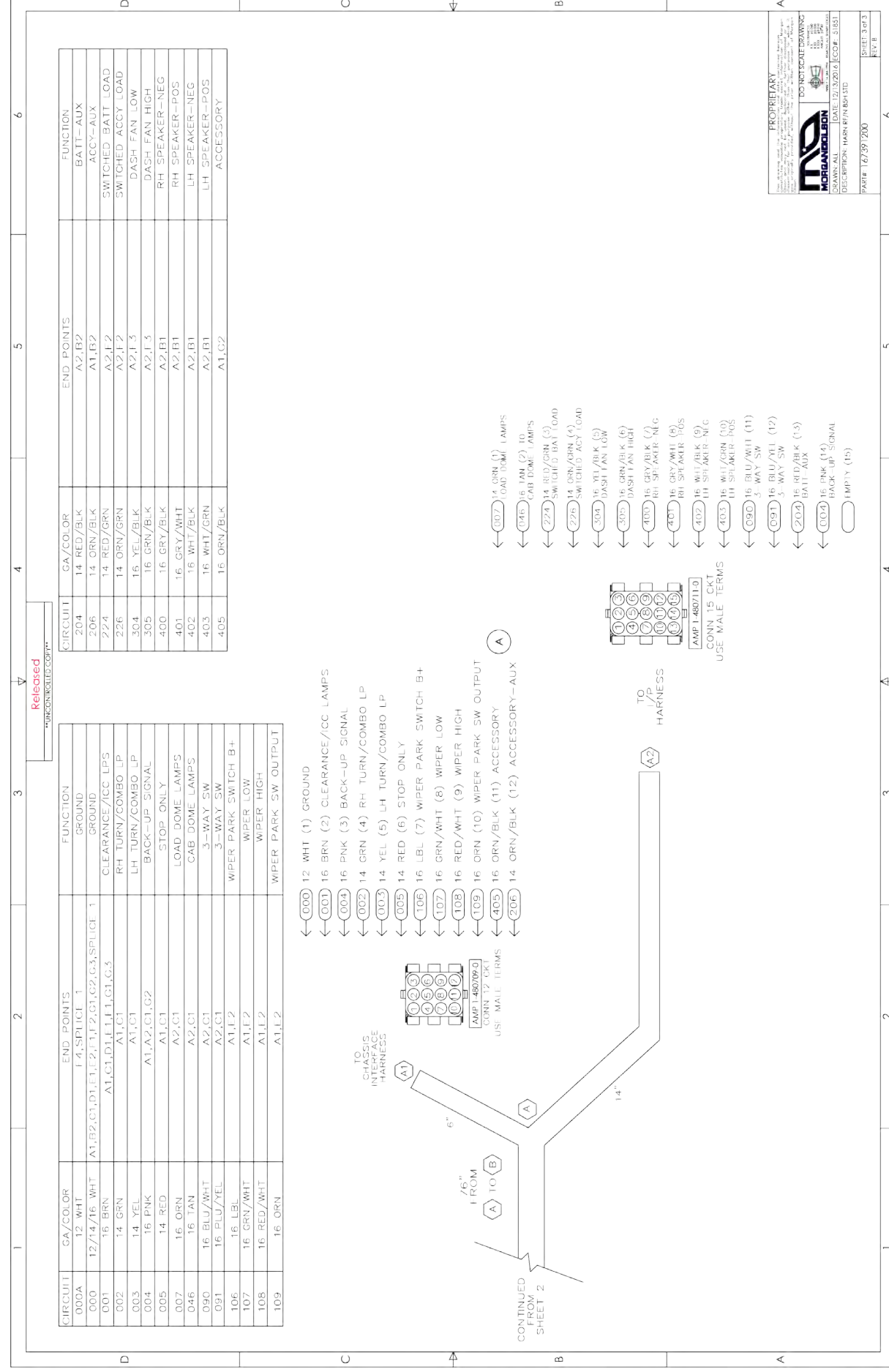
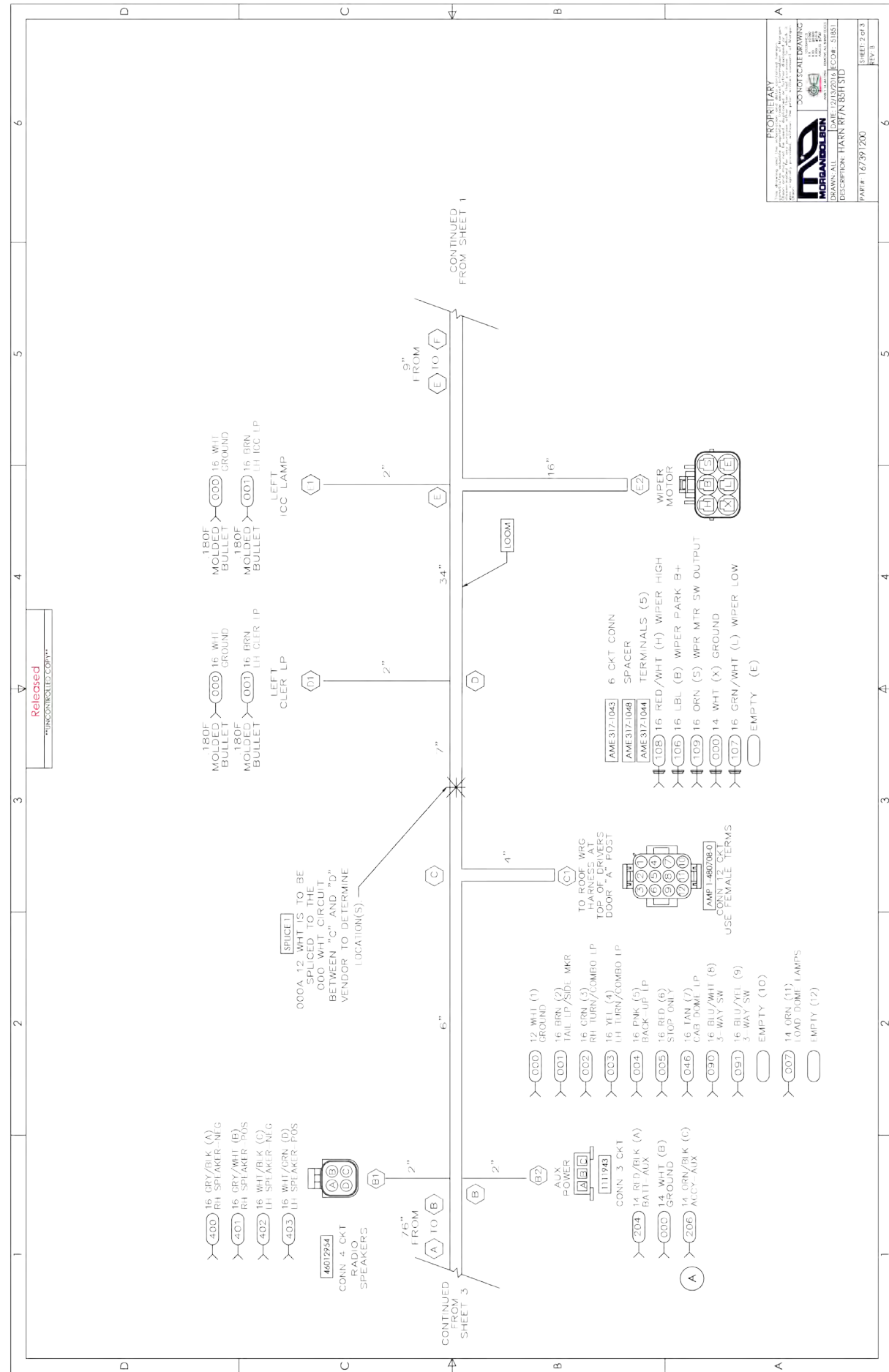
HARNES AND LOOM TOLERANCES  
 UP TO 60" : -0/+2"  
 60" TO 100" : -0/+4"  
 100" TO 200" : -0/+5"  
 200" TO 400" : -0/+6"  
 400" TO 600" : -0/+7"  
 OVER 600" : -0/+8"  
 BO TO BO : -0/+2"

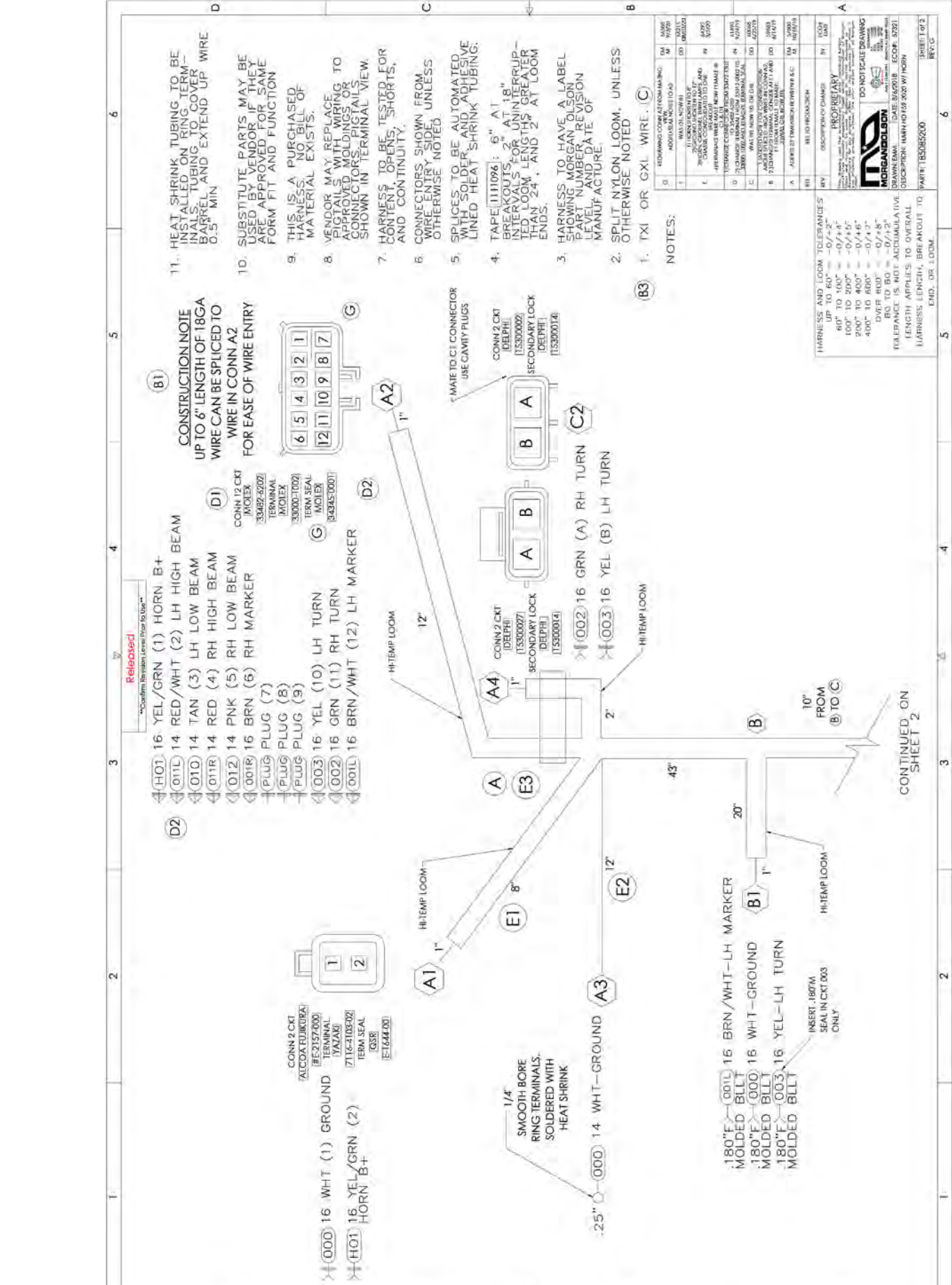
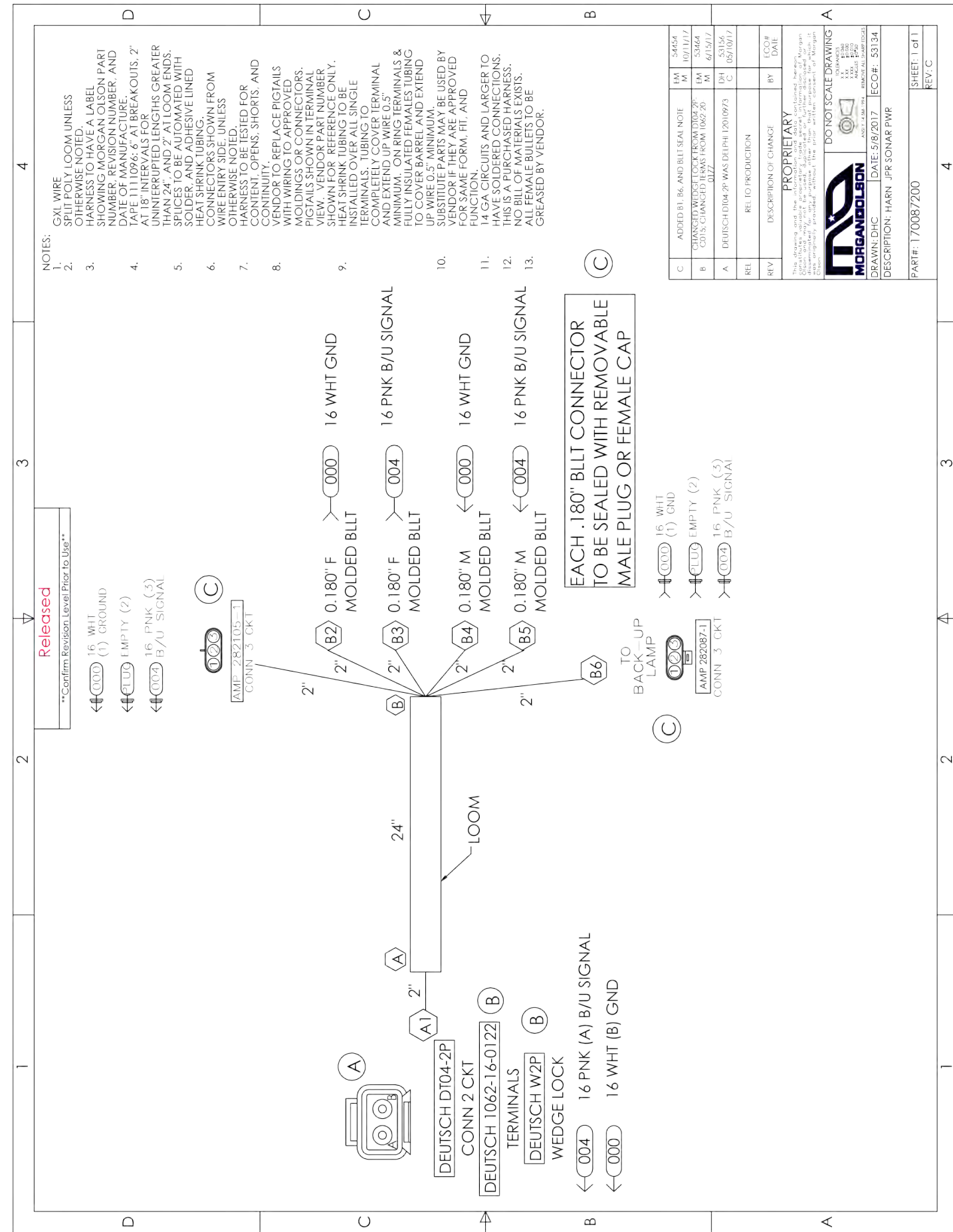
LENGTHS APPLY FROM BREAKOUT TO BREAKOUT OR BREAKOUT TO WIRE ENTRY SIDE OF CONNECTOR, OR END OF COVER.

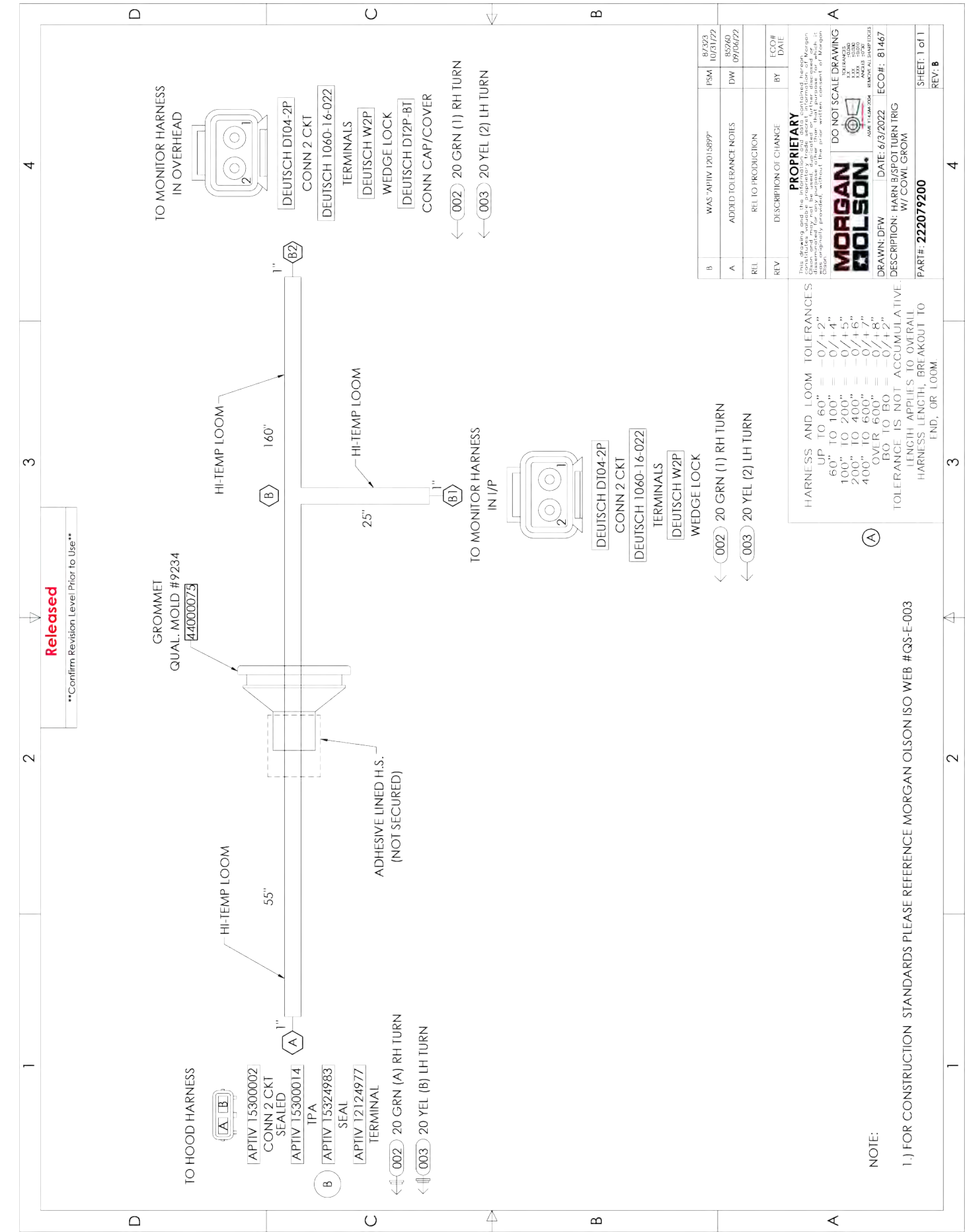
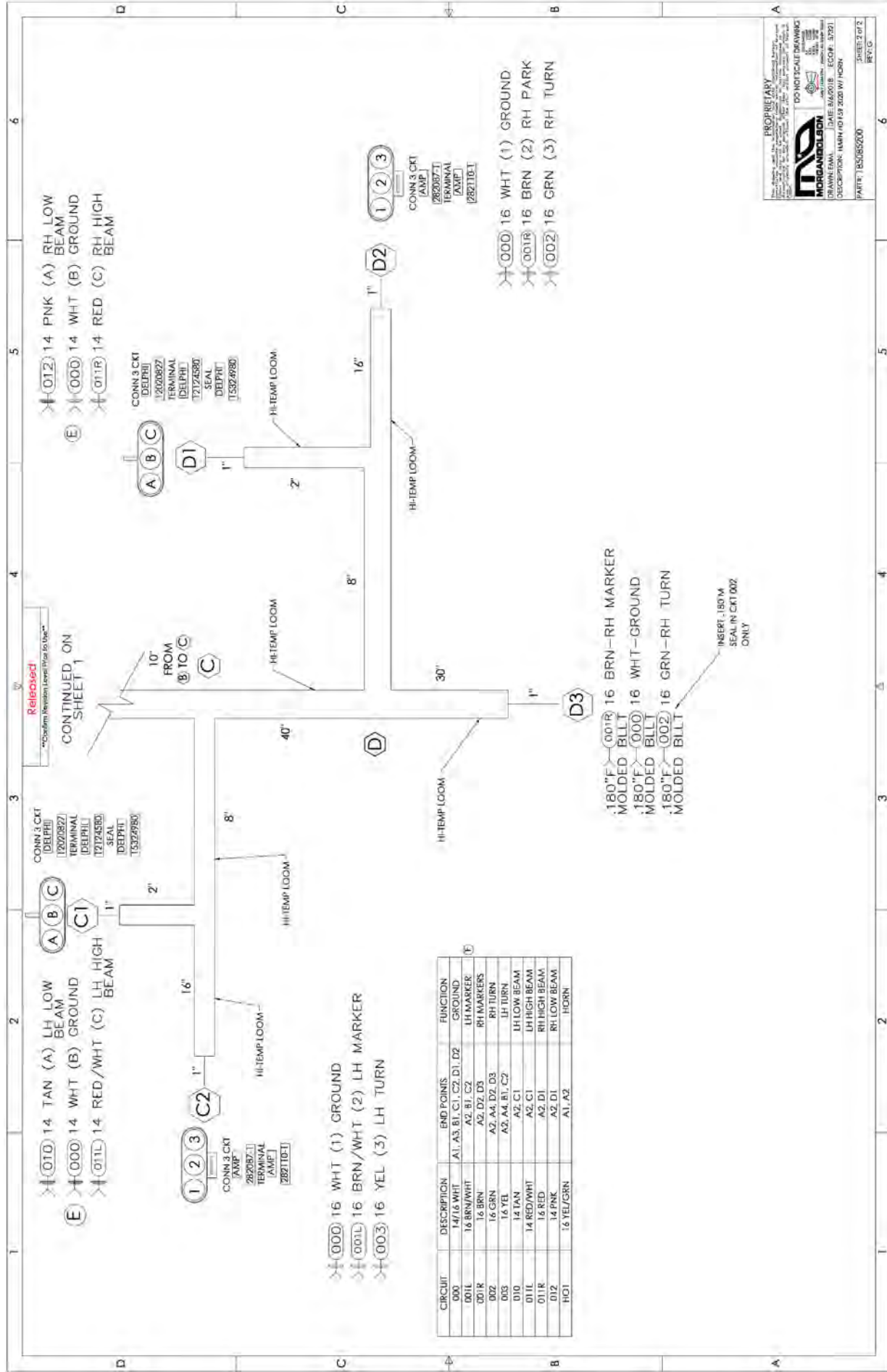
DATE: 28AUG12 DATE: 04SEP12  
 DRAWN: JKP  
 DO NOT SCALE RSF 2012  
 NAME: HARN PWR PNT 1/P QTY3  
 SHEET: 1 OF 1 DRAWING NO.: 122092202  
 SCALE: NONE  
 REV: -

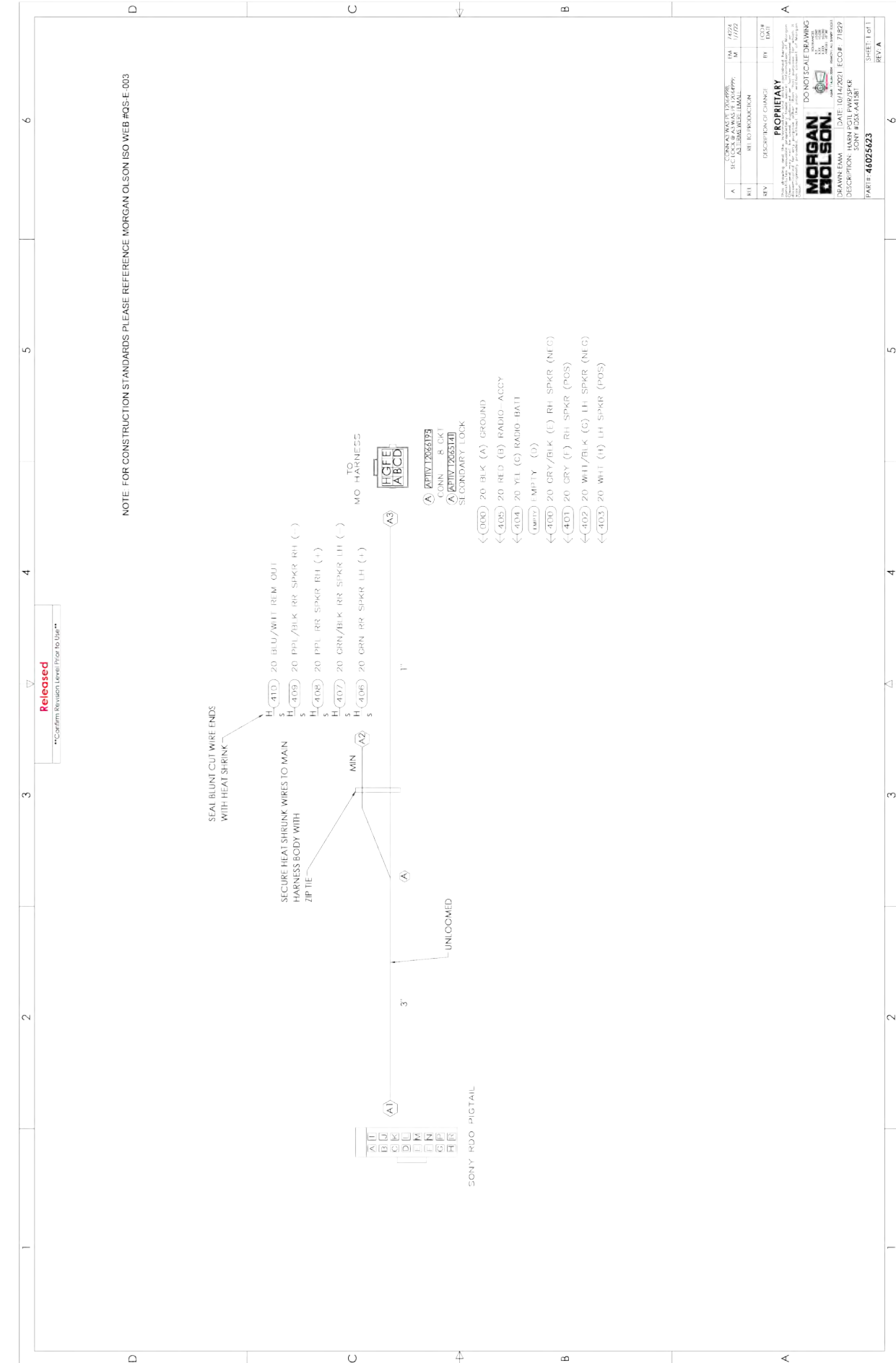
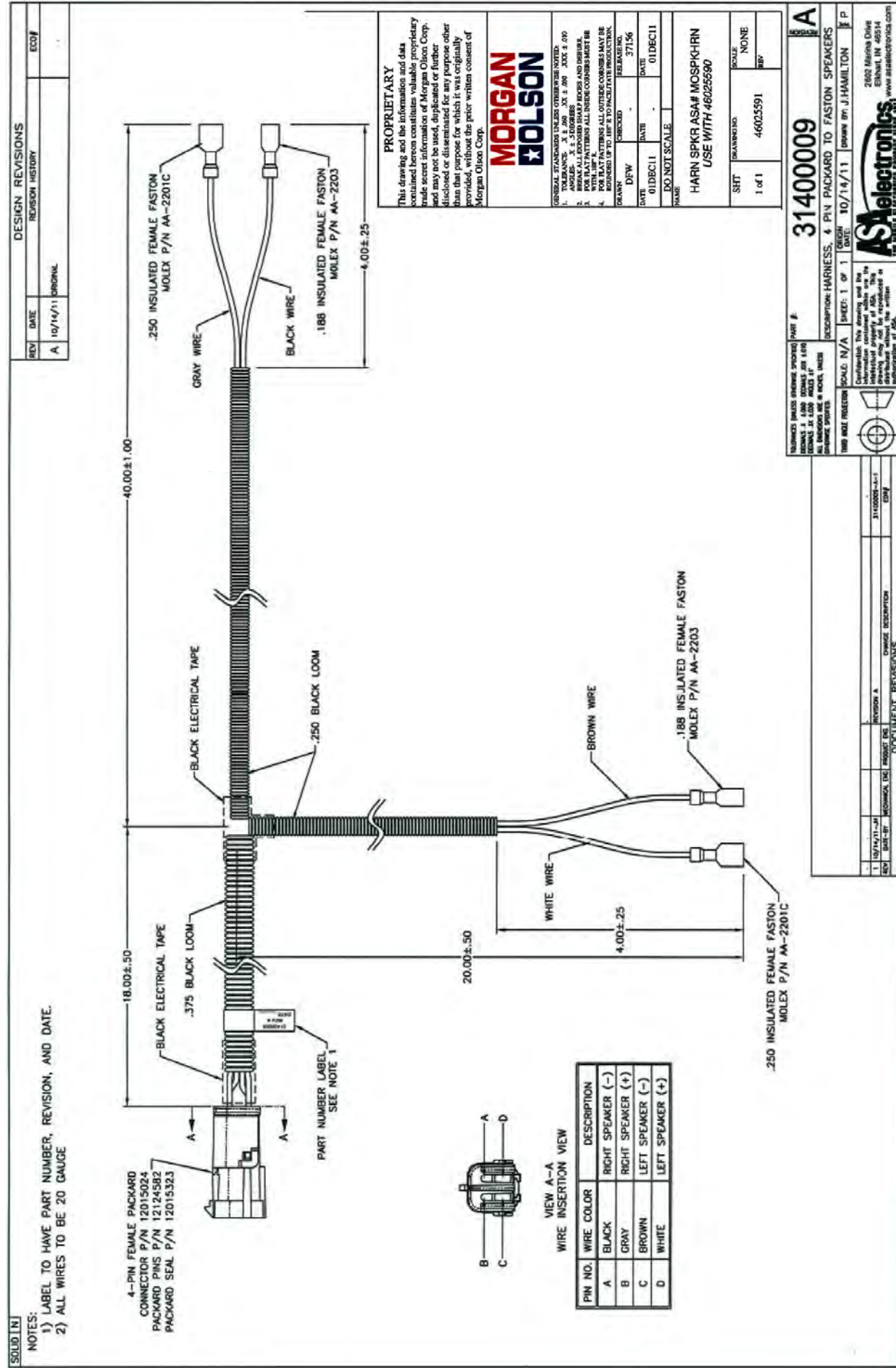








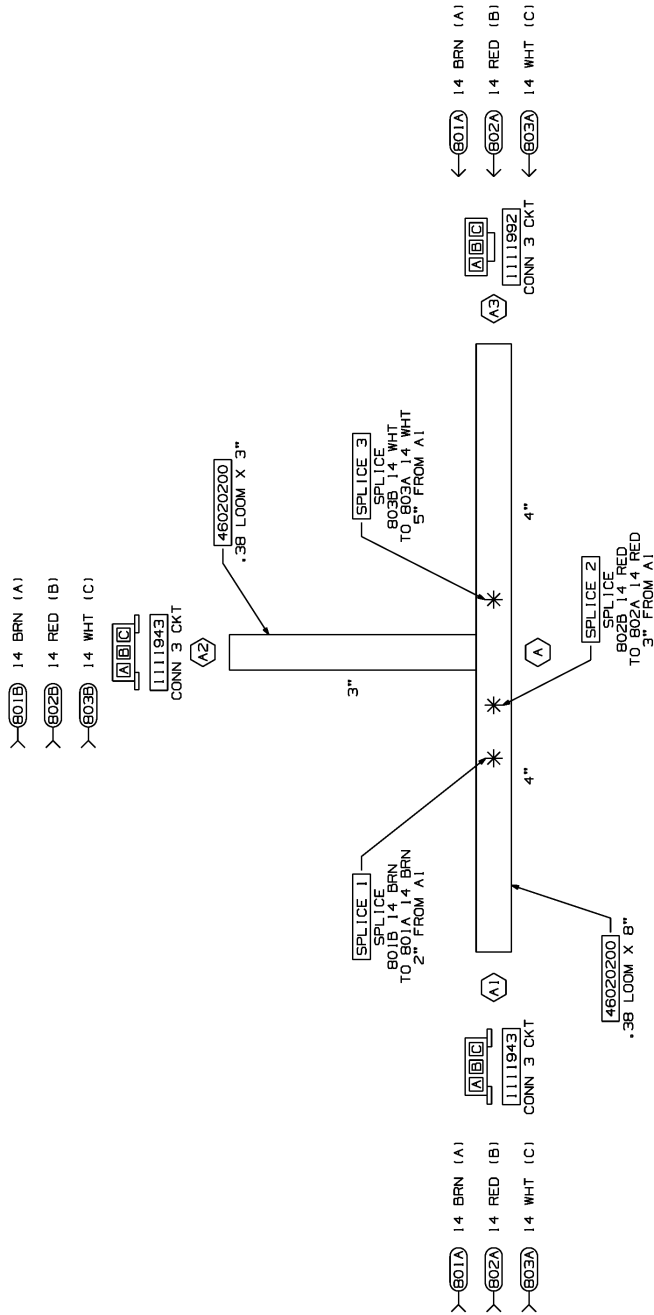






DRAWING NO. 88117437		SHT 1 OF 1
REV.	DESCRIPTION	BY
	RELEASE TO PRODUCTION	TMC

CIRCUIT	DESCRIPTION	END POINTS	FUNCTION
601A	14 BRN 008 1111944 OE 46018504	A1, A3	GENERIC
601B	14 BRN 005 1111944 OE STR .25	A2, SPLICE 1	GENERIC
602A	14 RED 008 1111944 OE 46018504	A1, A3	GENERIC
602B	14 RED 004 1111944 OE STR .25	A2, SPLICE 2	GENERIC
603A	14 WHT 008 1111944 OE 46018504	A1, A3	GENERIC
603B	14 WHT 004 1111944 OE STR .24	A2, SPLICE 3	GENERIC



- VENDOR MAY REPLACE PIGTAILS WITH WIRING APPROVED MOLDINGS OR CONNECTORS. PIGTAILS SHOWN IN TERMINAL VIEW. HARNESS TO BE TESTED FOR CONTENT, OPENS, SHORTS, AND CONTINUITY.
- CONNECTORS SHOWN FROM WIRE ENTRY SIDE, UNLESS OTHERWISE NOTED.
- SPLICES TO BE AUTOMATED WITH HEAT SHRINK TUBING. HEAT SHRINK BUTT SPLICES ARE ACCEPTABLE FOR 60 FABRICATION IF NECESSARY.
- TAPE [111098]: 6" AT BREAKOUTS AND 2" AT LOOM ENDS.
- HARNESS TO HAVE A LABEL SHOWING GRUMAN OLSON PART NUMBER, REVISION LEVEL AND DATE OF MANUFACTURE.
- SPLIT POLY LOOM UNLESS OTHERWISE NOTED.
- GXL WIRE.

**NOTES:**

**PROPRIETARY**  
 This drawing and the information and data contained hereon are the property of Morgan Olson and may be used, reproduced, or transmitted in any form or by any means, electronic, mechanical, photocopying, recording, or by any information storage and retrieval system, without the prior written consent of Morgan Olson.



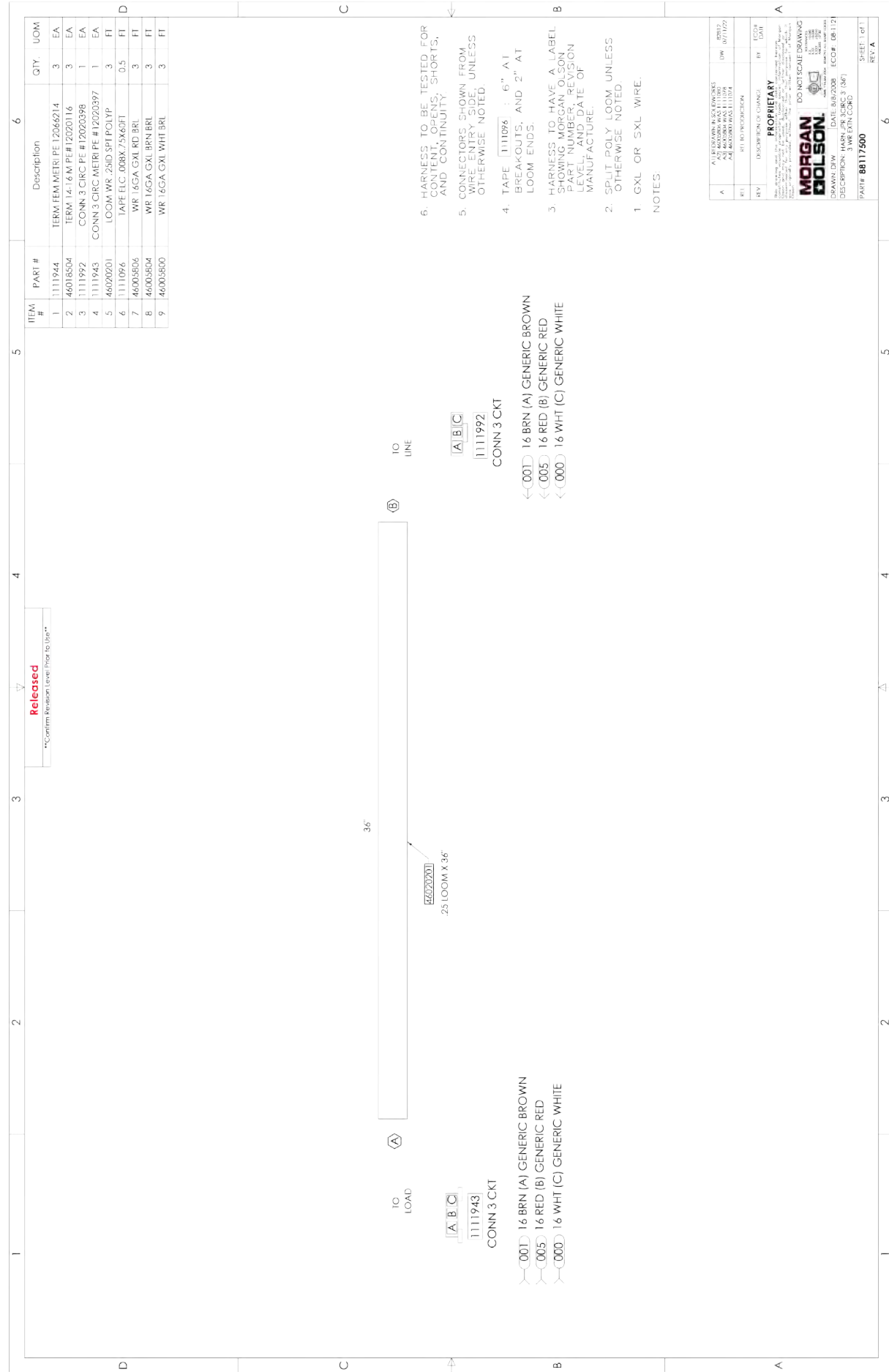
**HARNESS AND LOOM TOLERANCES**

UP TO 60" = -0/+2"  
 60" TO 100" = -0/+4"  
 100" TO 200" = -0/+5"  
 200" TO 400" = -0/+6"  
 400" TO 600" = -0/+7"  
 OVER 600" = -0/+9"

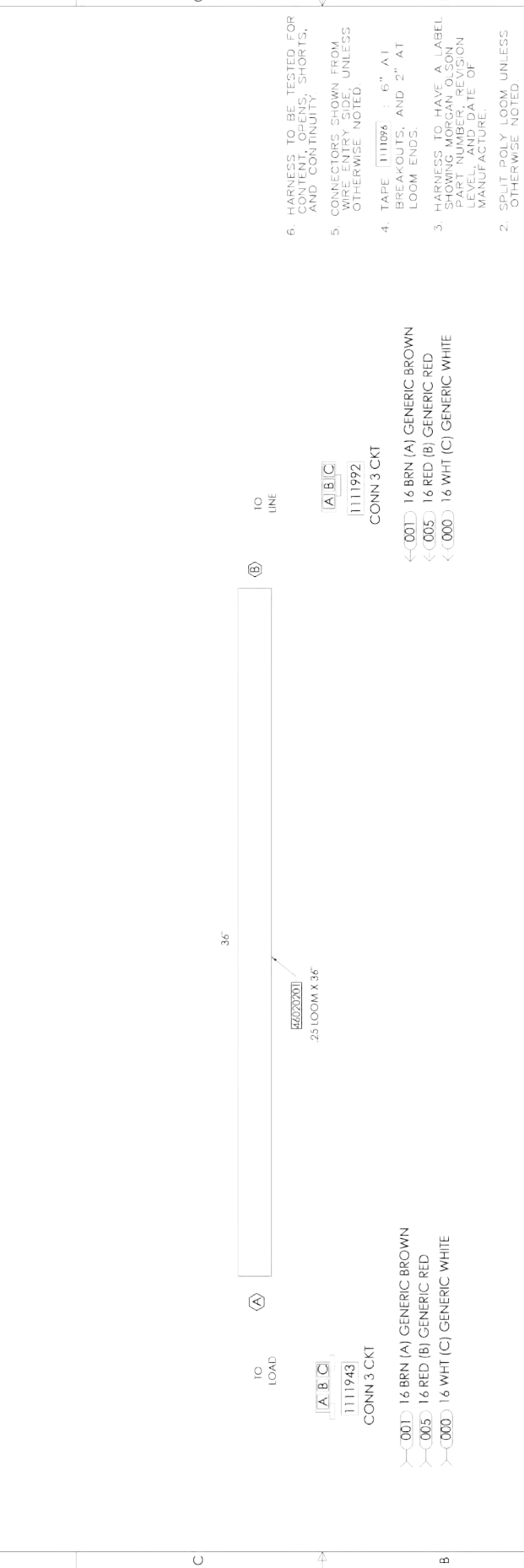
BO TO BO = -0/+2"  
 BO TO BO = -0/+2"

TOLERANCE IS NOT LENGTH APPLICABLE TO OVERALL HARNESS LENGTH, BREAKOUT TO END, OR LOOM.

DATE	27FEB02	REV	02-0241
DATE	28FEB02	REV	28FEB02
DO NOT SCALE			
NAME	JUMPER-HARN TEE-GENERIC		
DRAWING NO.	88117437	SCALE	NONE
SHT	1 OF 1	REV	



ITEM #	PART #	Description	QTY	UOM
1	1111944	TERM FEM METR PE 12066214	3	EA
2	46018504	TERM 14-16 M PE #12020116	3	EA
3	1111992	CONN 3 CIRG PE #12020398	1	EA
4	1111943	CONN 3 CIRG METR PE #12020397	1	EA
5	46020201	LOOM WR 250D SPI POLYF	3	FT
6	1111096	TAPE ELC 000X 25669FT	0.5	FT
7	46005806	WR 16GA GXL RD BRL	3	FT
8	46005804	WR 16GA GXL BRN BRL	3	FT
9	46005800	WR 16GA GXL WHT BRL	3	FT

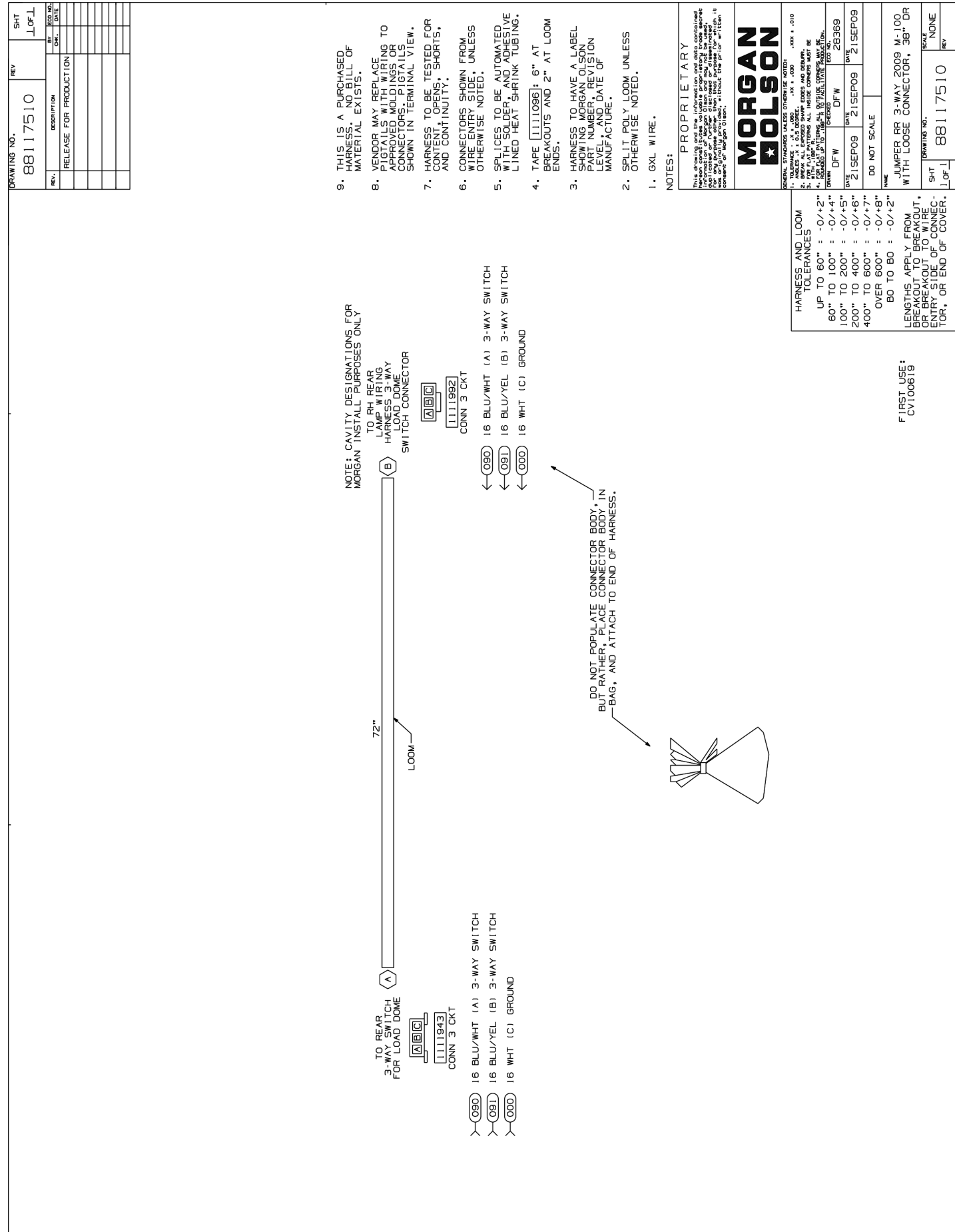


- HARNESS TO BE TESTED FOR CONTENT, OPENS, SHORTS, AND CONTINUITY.
- CONNECTORS SHOWN FROM WIRE ENTRY SIDE, UNLESS OTHERWISE NOTED.
- TAPE [111098]: 6" AT BREAK-OUTS, AND 2" AT LOOM ENDS.
- HARNESS TO HAVE A LABEL SHOWING MORGAN OLSON PART NUMBER, REVISION LEVEL, AND DATE OF MANUFACTURE.
- SPLIT POLY LOOM UNLESS OTHERWISE NOTED.
- GXL OR SXL WIRE.

**NOTES:**

**PROPRIETARY**  
 This drawing and the information and data contained hereon are the property of Morgan Olson and may be used, reproduced, or transmitted in any form or by any means, electronic, mechanical, photocopying, recording, or by any information storage and retrieval system, without the prior written consent of Morgan Olson.

DATE	27FEB02	REV	02-0241
DATE	28FEB02	REV	28FEB02
DO NOT SCALE			
NAME	JUMPER-HARN TEE-GENERIC		
DRAWING NO.	88117437	SCALE	NONE
SHT	1 OF 1	REV	



Camera to Monitor Cable 34' P/N 48200092

Camera to Monitor Cable 15' P/N 48200137