

Community Coffee

PARTS CATALOG 2013



2013 MORGAN OLSON BODY
2013 FREIGHTLINER CHASSIS

CV101982
UNIT NUMBERS
1545 - 1555



Driven By You



VIN NUMBER TO UNIT NUMBER	2
INTRODUCTION	3
CAB / ENGINE BOX	4
HEATER	5-6
WINDSHIELD	7
HOOD	8-9
STEPS	10
INSTRUMENT PANEL	11
SEATS	12
FLOOR	13
SIDES	14-15
ROOF	16
BACK	17
BULKHEAD	18
SIDE DOORS	19
SIDE DOOR POCKETS	20-21
REAR DOORS	22
SHELVES	23-24
BUMPERS	25
MIRRORS & WIPER ASSEMBLY	26-27
MISCELLANEOUS	28-29
ELECTRICAL	30
WIRING DIAGRAMS	31-58

CV101982 - 2013	
VIN NUMBER	UNIT #
4UZAAPDU4ECFV6095	1545
4UZAAPDU6ECFV6096	1546
4UZAAPDU1ECFV6099	1547
4UZAAPDU4ECFV6100	1548
4UZAAPDU6ECFV6101	1551
4UZAAPDUXECFV6098	1552
4UZAAPDU8ECFV6097	1553
4UZAAPDU0ECFV6093	1554
4UZAAPDU2ECFV6094	1555

This parts guide contains illustrations and part numbers for Community Coffee Package Delivery Cars and applies to bill of material # CV101982, produced in 2013.

This book has been divided into chapters.

Each chapter has illustrations with part numbers and descriptions.

Each part is pointed out to help identify it.

Orientation references are from the rear of the vehicle facing forward.

LH (LEFT HAND) is roadside and RH (RIGHT HAND) is curbside.

Procedure to Order Parts

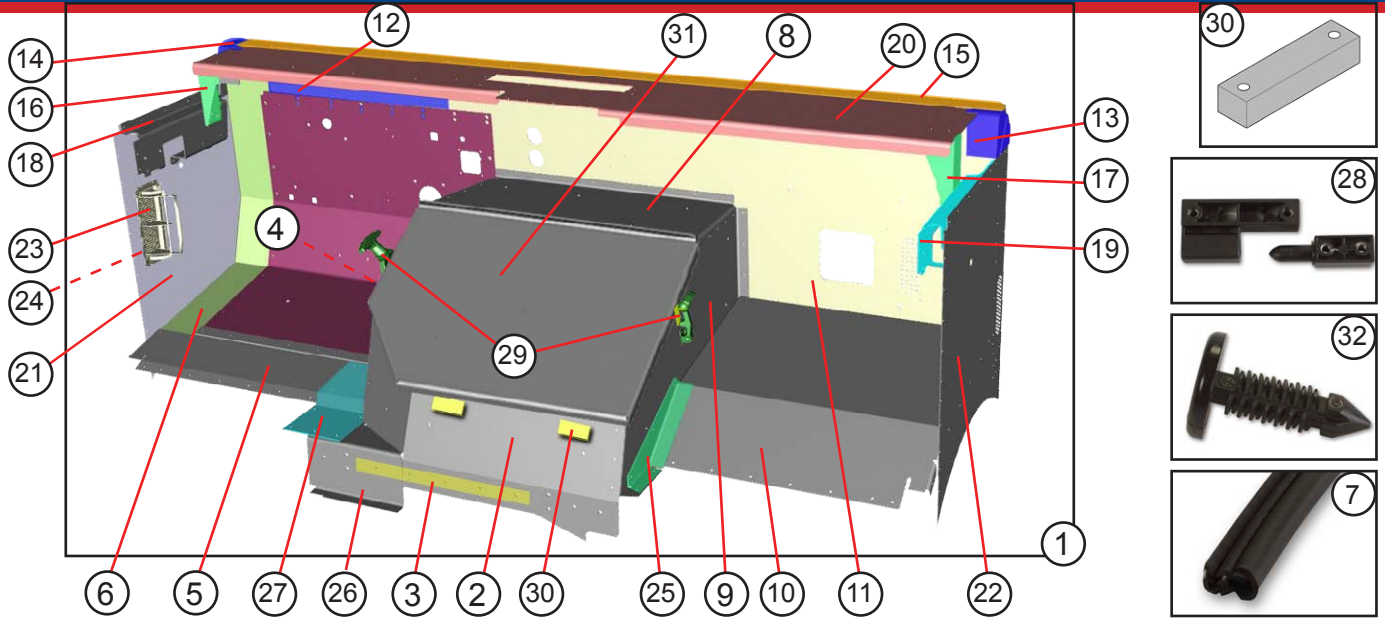
1. Depending on the part desired, turn to the appropriate section.
2. Locate the desired part on the Illustration Page(s) and note it's number.
3. Contact a Morgan Olson Service Parts Representative. Have part numbers readily available.
4. When placing orders, specify serial numbers.

FOR WARRANTY INFORMATION CALL 1-800-262-3437

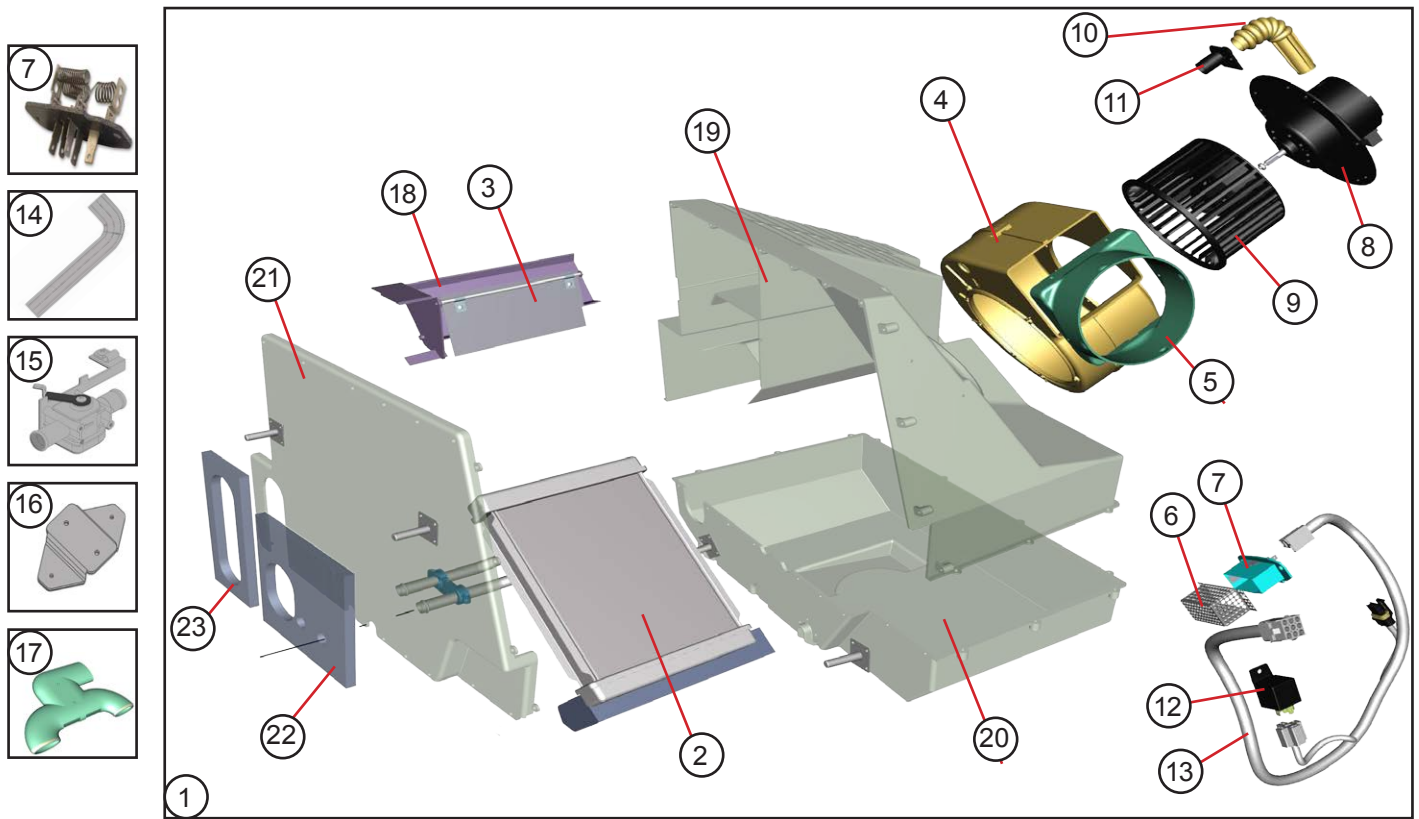
ANY QUESTIONS OR CONCERNS SHOULD BE DIRECTED TO YOUR SERVICE
PARTS REPRESENTATIVE AT
1-800-233-4823

At Morgan Olson, our quest for quality and safety is ongoing and therefore the specifications on the product described herein may vary over time.

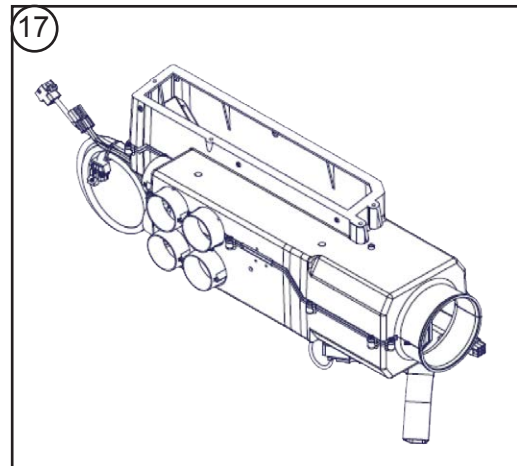
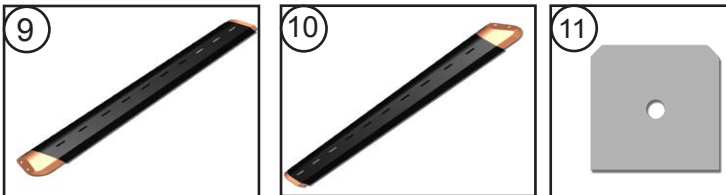
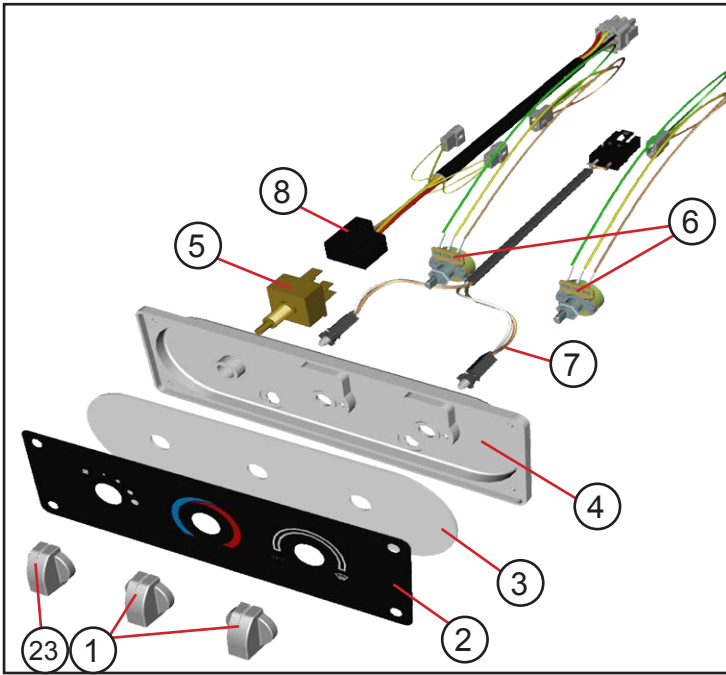
Please contact Morgan Olson for the latest product information and available safety features and options.



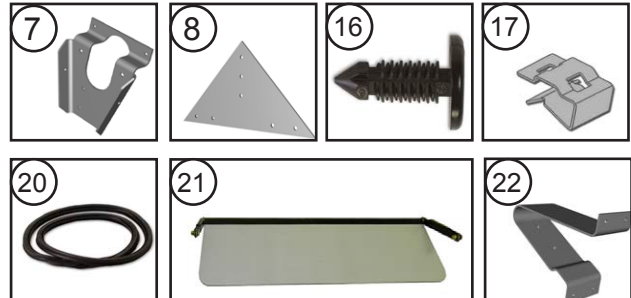
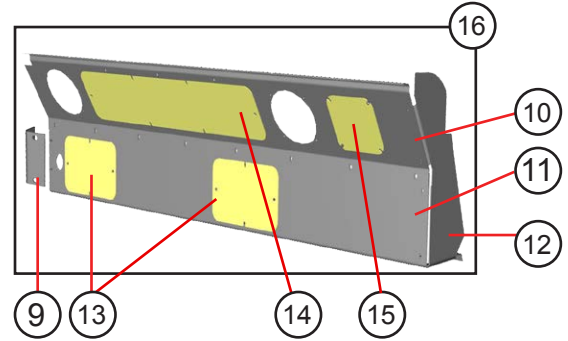
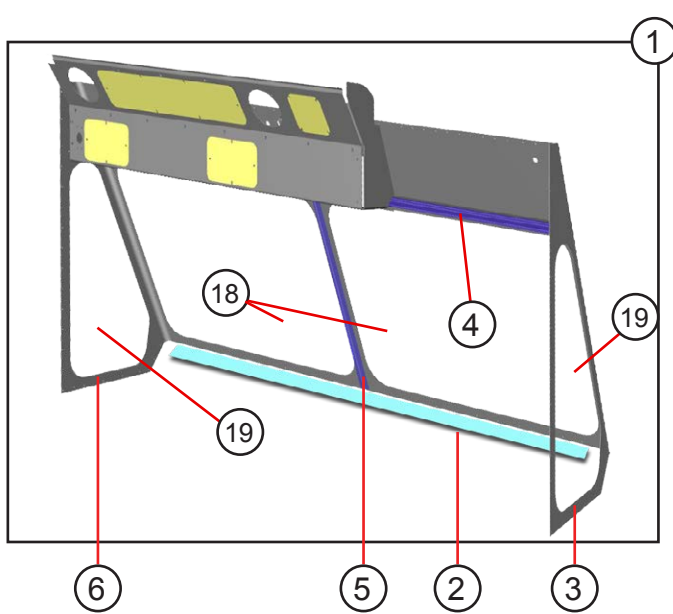
ITEM #	PART #	DESCRIPTION	QTY.	UNIT
1	118005204	CAB ASSEMBLY	1	EA
2	098005502	ENGINE BOX SADDLE	1	EA
3	077050402	SHIM	1	EA
4	098005503	ENGINE BOX SIDE ROADSIDE	1	EA
5	077050423	TOE BOARD ROADSIDE	1	EA
6	077050419	TOE BOARD DASH ROADSIDE	1	EA
7	1107270	SEAL TR SCHLEG1426-X999	8	FT
8	098005400	ENGINE BOX TOP	1	EA
9	098005501	ENGINE BOX HOUSING	1	EA
10	098005462	DASH PANEL	1	EA
11	098005472	DASH WALL CURBSIDE	1	EA
12	077050408	DASH WALL ROADSIDE	1	EA
13	8502001	CORNER CASTING CURBSIDE	1	EA
14	8502000	CORNER CASTING ROADSIDE	1	EA
15	083023402	WINDSHIELD RAIL	1	EA
16	083005418	SUPPORT RAIL ROADSIDE	1	EA
17	083005419	SUPPORT RAIL CURBSIDE	1	EA
18	077050400	STIFFENER ROADSIDE	1	EA
19	077050401	STIFFENER CURBSIDE	1	EA
20	093005512	DASH SHELF	1	EA
21	093005421	CAB SKIRT ROADSIDE	1	EA
22	093005440	CAB SKIRT CURBSIDE	1	EA
23	47008545	VENT 2 WAY HINGLESS	1	EA
24	47008548	VENT GASKET	1	EA
25	077050406	GUSSET TOE BOARD CURBSIDE	1	EA
26	077050411	FILLER SADDLE	1	EA
27	077050446	HEEL SCUFF PLATE	1	EA
28	47007859	HINGE OFFSET	2	EA
29	1113336	LATCH	2	EA
30	117028400	SHIM ENGINE BOX	2	EA
31	098028402	LID ENGINE BOX	1	EA
32	47006630	CLIP PLASTIC ROUND/HEAD 1.32-1.34	27	EA



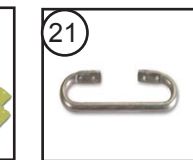
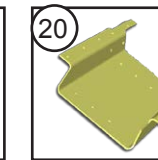
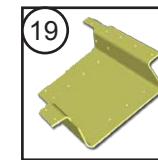
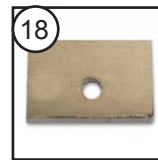
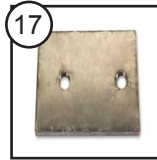
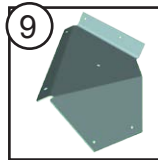
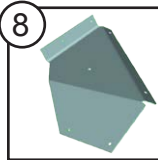
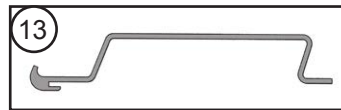
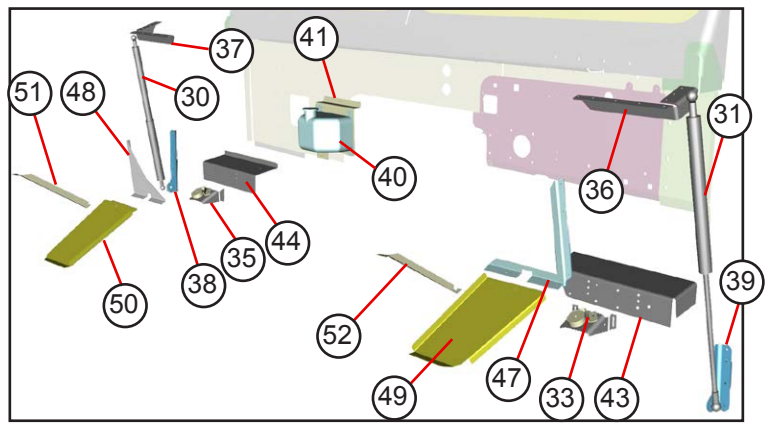
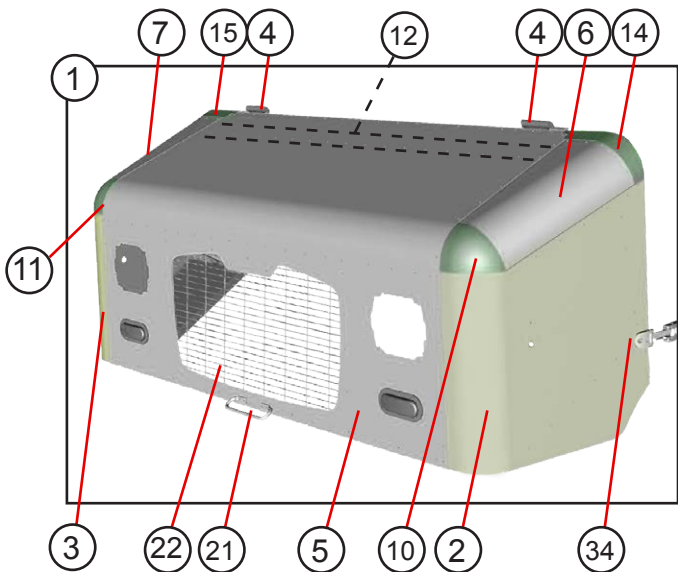
ITEM #	PART #	DESCRIPTION	QTY	UNIT
1	555001107	HEATER ASSEMBLY (INSTALLATION 110080005)	1	EA
2	47008760	HEATER COIL W/GASKET & CLAMP	1	EA
3	47008753	DOOR W/SEAL	1	EA
4	47008754	BLOWER HOUSING	1	EA
5	47008755	BLOWER ADAPTER	1	EA
6	47008732	RESISTER CAGE	1	EA
7	47008357	RESISTER	1	EA
8	47008756	BLOWER MOTOR	1	EA
9	47008757	BLOWER WHEEL	1	EA
10	47008730	VENT TUBE	1	EA
11	47008731	VENT TUBE ADAPTOR	1	EA
12	47008716	RELAY	1	EA
13	47008758	HARNESS	1	EA
14	47008580	FORMED HEATER HOSE	2	EA
15	555002053	VALVE WAT	1	EA
16	115080401	BRACKET FOOT DUMP AL .07X4.25X7.45	1	EA
17	090080401	DUCT FOOT DUMP SPCL	1	EA
18	N/A	AC PARTITION - PART OF HEATER ASSEMBLY	1	EA
19	N/A	HOUSING UPPER - PART OF HEATER ASSEMBLY	1	EA
20	N/A	HOUSING LOWER - PART OF HEATER ASSEMBLY	1	EA
21	N/A	HOUSING BACK - PART OF HEATER ASSEMBLY	1	EA
22	21-01201	GASKET - PART OF HEATER ASSEMBLY	1	EA
23	21-01202	GASKET - PART OF HEATER ASSEMBLY	1	EA



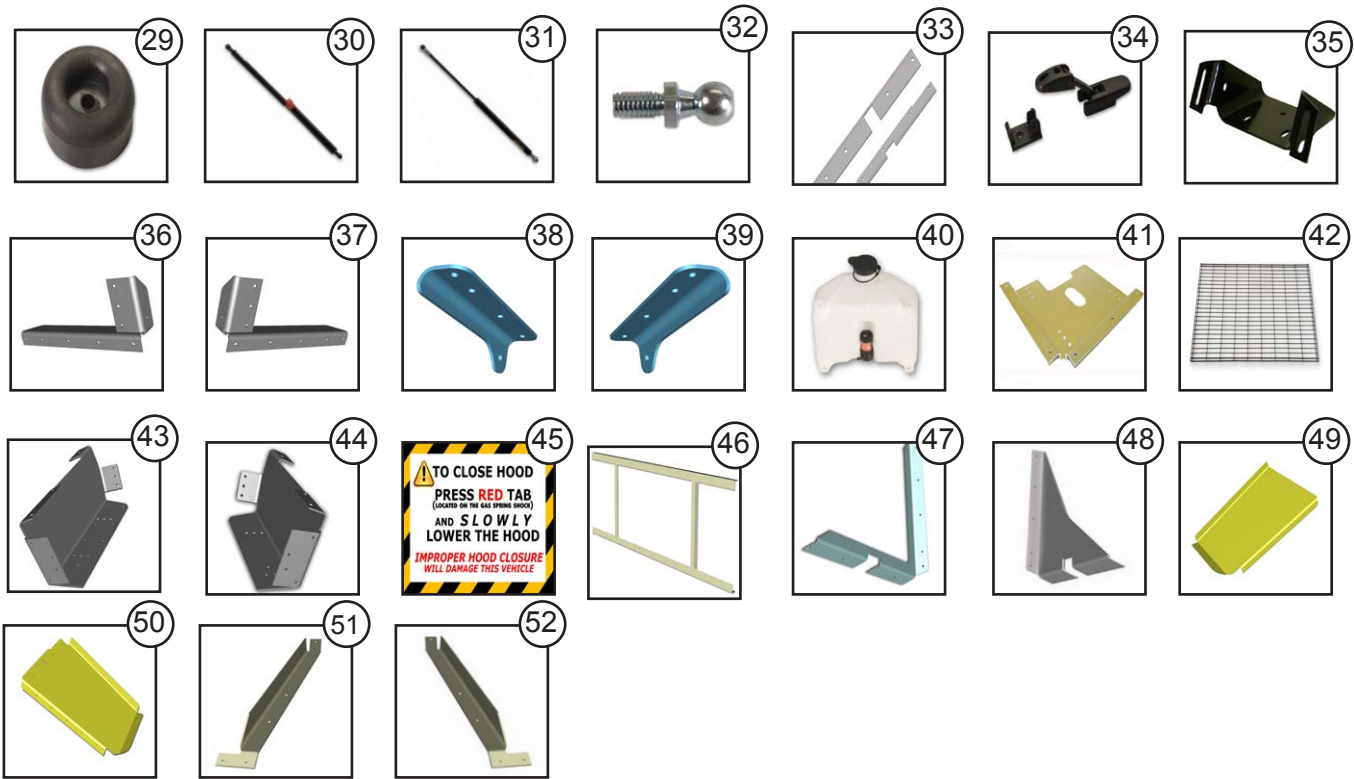
ITEM #	PART #	DESCRIPTION	QTY	UNIT
1	47008706	KNOB	2	EA
2	47008707	DECAL	1	EA
3	47008708	LIGHT PANEL	1	EA
4	47008709	CONTROL PANEL	1	EA
5	47008700	BLOWER SWITCH	1	EA
6	47008710	POTENTIOMETER SWITCH	2	EA
7	47008711	HARNES ILLUMINATION W/BULBS	1	EA
8	47008712	HARNES BLOWER MOTOR	1	EA
9	555001719	DEFROST DUCT CURBSIDE	1	EA
10	555001720	DEFROST DUCT ROADSIDE	1	EA
11	093080400	HOLD DOWN PLATE DEFROSTER DUCTS	4	EA
12	555001523	HOSE DEFROSTER 2.5X16	2	EA
13	555001524	HOSE DEFROSTER 2.5X30	2	EA
12	555001525	HOSE DEFROSTER 2.5x38	1	EA
15	555002003	COLLER FRESH AIR INTAKE	1	EA
16	555001715	LUVER BALL	6	EA
17	555001321	DUCT HVAC	1	EA
18	107027405	BRACKET HEATER VENT	1	EA
20	555001533	HOSE BLOWER HEATER/DEFROSTER 5"X7.5"	1	EA
21	005780402	MOUNTING PLATE	1	EA
22	002080400	BRACKET HEATER CONTROL AL .102X3X11.67	1	EA
23	47008735	KNOB FAN SPEED	1	EA



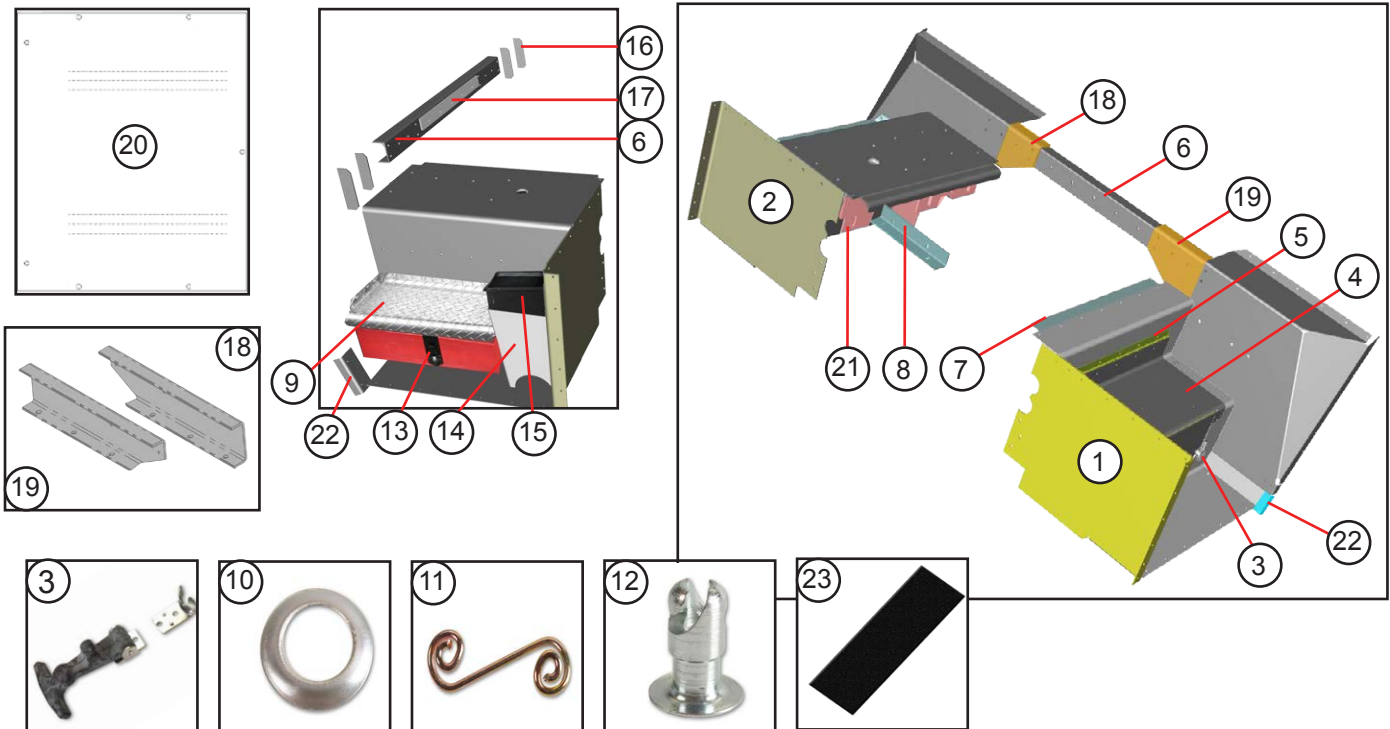
ITEM #	PART #	DESCRIPTION	QTY.	UNIT
1	088055204	WINDSHIELD ASSEMBLY 85H93W NO VENT	1	EA
2	083023402	WINDSHIELD RAIL (SEE PAGE 4 ITEM 12)	1	EA
3	088055406	FRAME W/S AL .102X53.45X70.25 CURBSIDE	1	EA
4	077055404	STIFFENER W/S AL 450540X44.25	2	EA
5	077055401	POST W/S CENTER AL 450540X44.84	1	EA
6	088055405	FRAME WINDSHEILD ROADSIDE	1	EA
7	077055402	GUSSET FRAME W/S AL .125X6.49X7.27	1	EA
8	998555329	GUSSET FRAME W/S AL .125X4.6X9.19	1	EA
9	088076449	BRACKET, MOUNTING	1	EA
10	097076488	COVER WIPER MOTOR UPPER	1	EA
11	097076476	SHELF LOWER	1	EA
12	097076461	COVER WIPER CURBSIDE	1	EA
13	097076436	PLATE COVER	2	EA
14	097076435	PLATE COVER	1	EA
15	097076437	PLATE COVER	1	EA
16	47006610	CLIP PUSH IN .45HEADX.64	52	EA
17	46021115	CLIP LARGE BODY PAN	1	EA
18	96756400	GLASS WINDSHIELD	2	EA
19	006756400	GLASS SIDE TRIANGLE	2	EA
20	44004303	WEATHER STRIPPING LS-1660 X147.5	2	EA
20	44004309	WEATHER STRIPPING LS-1660 X86.25	2	EA
21	47005504	SUN VISOR	2	EA
22	090061400	BRACKET SUN VISOR CURBSIDE	1	EA
NS	1109001	INSULATION FIBERGLASS 1X48X7.25FT	1	FT
NS	118011402	LINER ROOF CAB 452100X37.12X86.75	1	EA
NS	100011400	POLYESTER FILL ROOF LINER 4X22.5	1	EA



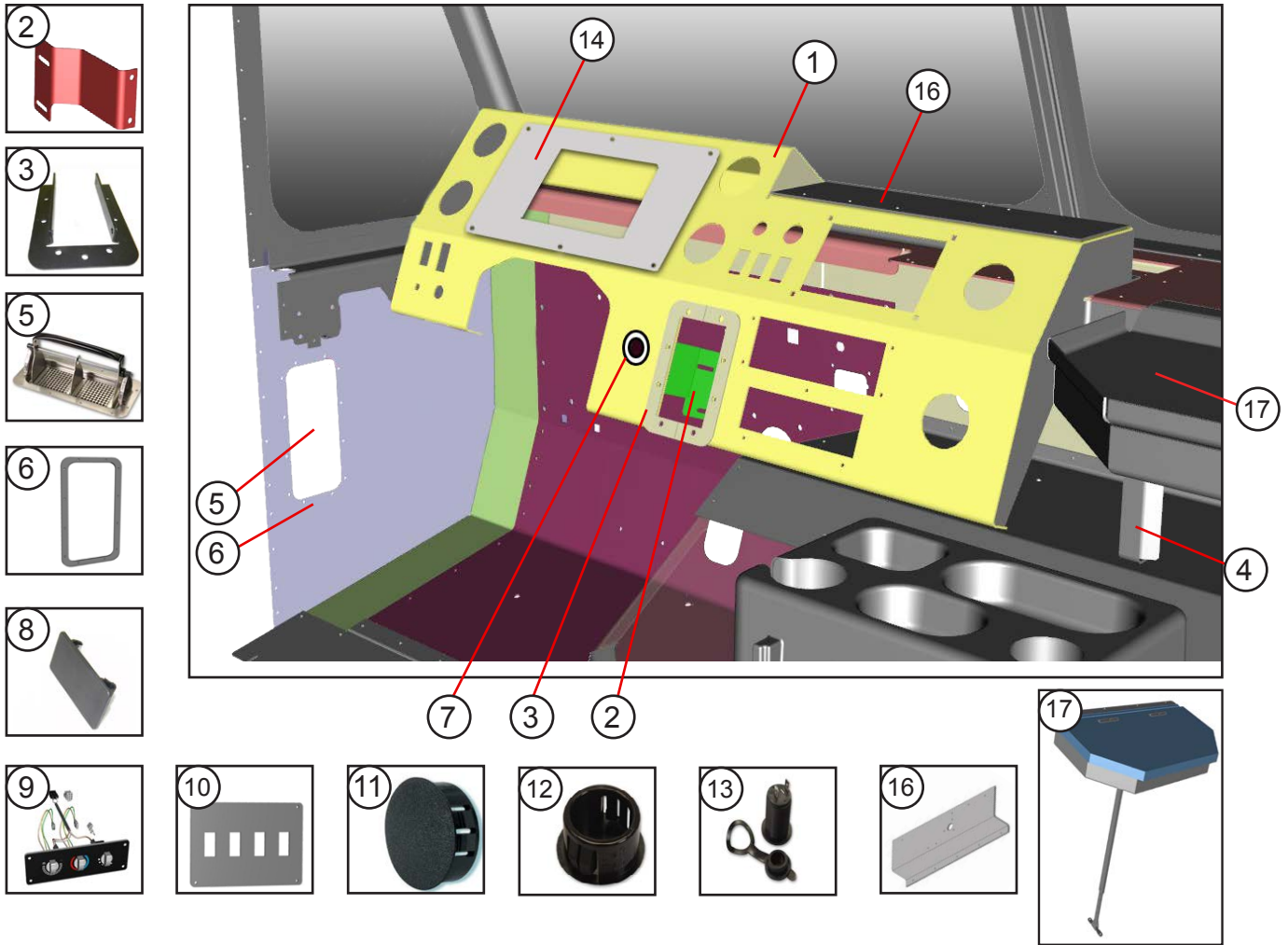
ITEM #	PART #	DESCRIPTION	QTY.	UNIT
1	108017202	HOOD ASSEMBLY	1	EA
2	088017414	HOOD SKIRT AL .07X30.78X33.11 ROADSIDE	1	EA
3	088017415	HOOD SKIRT AL .07X30.78X33.11 CURBSIDE	1	EA
4	47007852	HINGE ASSEMBLY	2	EA
5	115017400	PANEL HOOD FCC AL.07X53.36X72	1	EA
6	088017416	COWL HOOD ROADSIDE AL .07X15.91X22.28	1	EA
7	088017417	COWL HOOD CURBSIDE AL .07X15.91X22.28	1	EA
8	95817312	GUSSET CORNER ROADSIDE AL .07X13.52X14.72	1	EA
9	95817313	GUSSET CORNER CURBSIDE AL .07X13.52X14.72	1	EA
10	45100057	CORNER CAST KNEE COWL FRONT ROADSIDE	1	EA
11	45100058	CORNER CAST KNEE COWL FRONT CURBSIDE	1	EA
12	088017420	STIFFENER HOOD AL 450015X68.62	1	EA
13	45001500	BRACKET HOOD AL HD X69.77	1	EA
14	45100060	CAP COWL END ROADSIDE	1	EA
15	45100061	CAP COWL END CURBSIDE	1	EA
17	91617304	PLATE TAP AL .188X2X2.69	2	EA
18	96717312	SHIM AL .125X.62X1.88	2	EA
19	115017403	STIFFENER HOOD ROADSIDE	1	EA
20	115017404	STIFFENER HOOD CURBSIDE	1	EA
21	90187300	GRAB HANDLE .5DIA X15.7	1	EA
22	45700101	MESH GRILLE 20.5X38.81	1	EA
NS	088017423	ANGLE SUPPORT GRILLE 450186X69.62	1	EA
NS	088017421	SUPPORT GRILLE ANGLE 450180X22.8	2	EA
NS	088017441	ANGLE HORZ 450186X69.62	1	EA
NS	44004077	SEAL TAPE #1458BTXFT	4.42	FT



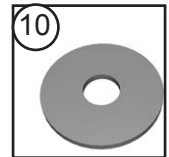
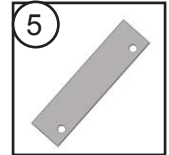
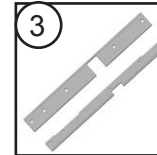
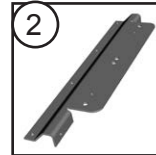
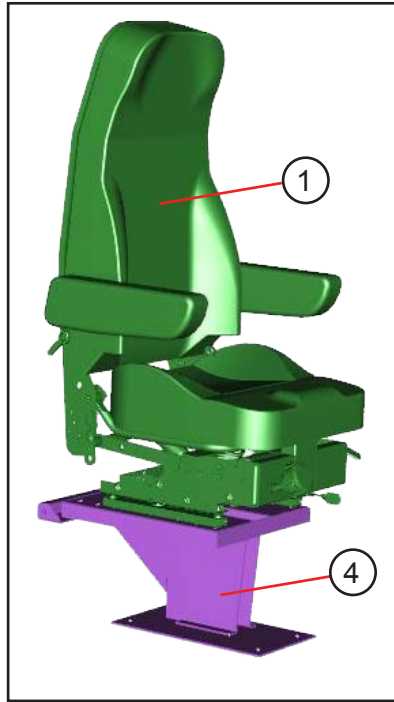
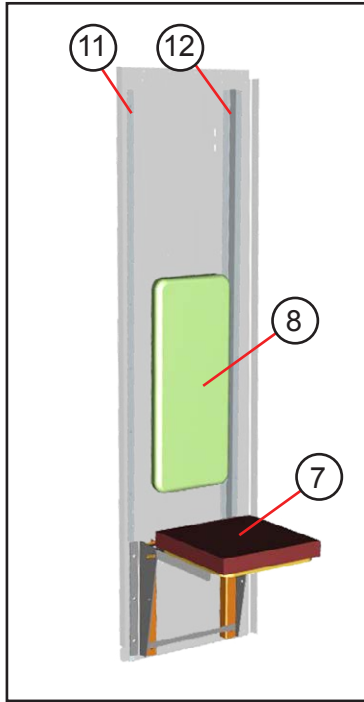
ITEM #	PART #	DESCRIPTION	QTY.	UNIT
29	44002004	BUMPER RUBBER HOOD REST	2	EA
30	47006116	GAS SPRING WITH LOCK 140LB 20/12 IGS	1	EA
31	47006117	GAS SPRING WITH OUT LOCK 140LB 20/12 IGS	1	EA
32	40900019	STUD BALL SUSPENSION	4	EA
33	96713300	STOP ANGLE HOOD REST	2	EA
34	47000613	LATCH HOOD	2	EA
35	077150400	BRACKET SUPPORT HOOD REST	2	EA
36	124016401	BRACKET GAS SPRING AL.125X3.6X16.48 ROADSIDE	1	EA
37	124016402	BRACKET GAS SPRING AL.125X3.6X16.48 CURBSIDE	1	EA
38	124016403	BRACKET HOOD LOWER AL.188X2.85X6.4 CURBSIDE	1	EA
39	124016404	BRACKET HOOD LOWER AL.188X2.85X6.4 ROADSIDE	1	EA
40	47004137	WASHER BOTTLE WITH PUMP	1	EA
41	003705413	WASHER BOTTLE MOUNTING PLATE	1	EA
42	45700101	MESH GRILL 20.5X38.81	1	EA
43	077260400	SPLASH PAN ROADSIDE	1	EA
44	077260404	SPLASH PAN CURBSIDE	1	EA
45	43000903	HOOD PROPER INSTRUCTIONS LABEL	1	EA
46	088017255	SUPPORT ASSEMBLY GRILL	1	EA
47	088017433	SUPPORT SPLASH PAN AL .102X16.07X16.83	1	EA
48	088017436	SUPPORT SPLASH PAN AL .102X16.07X16.83	1	EA
49	088017427	SPLASH PAN AL .102X19.43X26.95 ROADSIDE	1	EA
50	088017430	SPLASH PAN AL .102X19.93X26.95 CURBSIDE	1	EA
51	088017437	STRAP AL .125X2.98X25.76 ROADSIDE	1	EA
52	088017438	STRAP AL .125X2.98X25.76 CURBSIDE	1	EA
NS	44004077	SEAL TAPE #1458BTXFT	4.42	FT



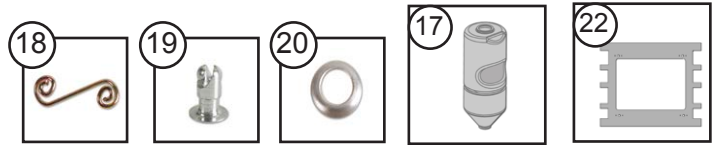
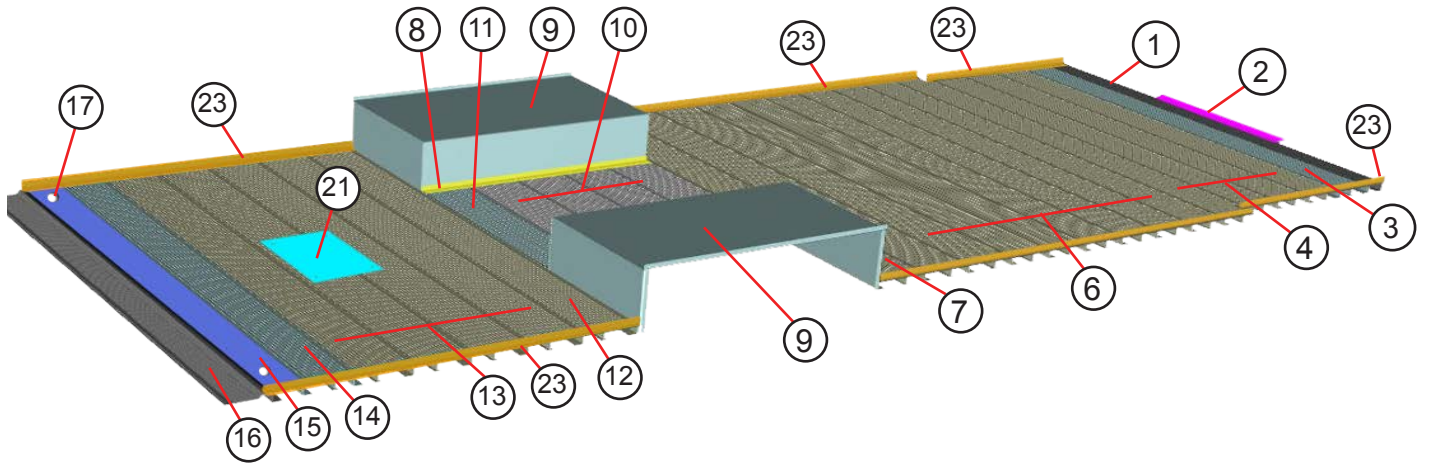
ITEM#	PART #	DESCRIPTION	QTY.	UNIT
1	088024200	STEP ASSEMBLY ROADSIDE	1	EA
2	098024202	STEP ASSEMBLY CURBSIDE	1	EA
3	1113334	LATCH STEPS	2	EA
4	107024419	BATTERY LID ALD .125X22.25X24.82	1	EA
5	006324498	HINGE AL .075X1.12X1.75X21	1	EA
6	077240400	CROSS MEMBER CENTER AL 456106X41	1	EA
7	96724408	STEP SUPPORT CURBSIDE AL .188X8.91X24.5	1	EA
8	138024416	SUPPORT ANGLE AL .188X3.58X11.5	1	EA
9	118024204	STEP ASSEMBLY ROADSIDE MID STEP	1	EA
10	40900081	GROMMET HALF	7	EA
11	40900082	SPRING	7	EA
12	40900080	STUD	7	EA
13	128068000	EMERGENCY FLARE KIT	1	EA
14	077240433	BRACKET TRASH HOLDER AL .125X11.78X16.37	1	EA
15	45200051	TRASH BIN	1	EA
16	077240438	GUSSET STEP CHANNEL AL .25X2.25X5.63	4	EA
17	077050402	SHIM AL .25X1.62X20.8	1	EA
18	083024460	CHANNEL CROSS MEMBER ROADSIDE AL 456109X23	1	EA
19	083024461	CHANNEL CROSS MEMBER CURBSIDE AL 456109X23	1	EA
20	077024200	FLOOR TRANSVERSE ALD .125X26.13X30.88	1	EA
21	117024407	TREAD STEP SUPPORT ALD .125X14.19X27.67	1	EA
22	084024415	RISER STEP FILLER AL .125X3.61X3.5	2	EA
23	96724608	DAMPENING PAD 45200007X9X20	1	EA



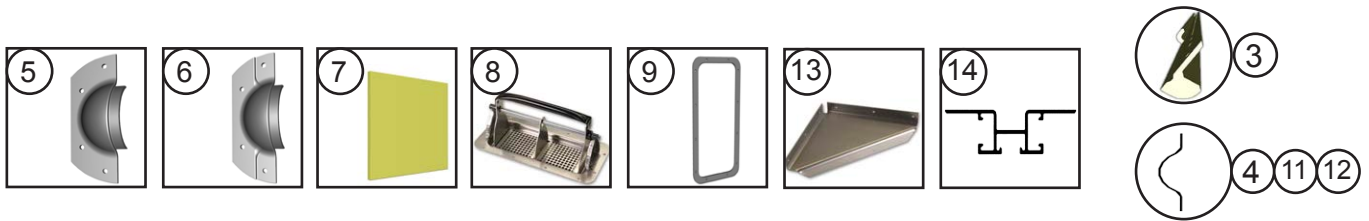
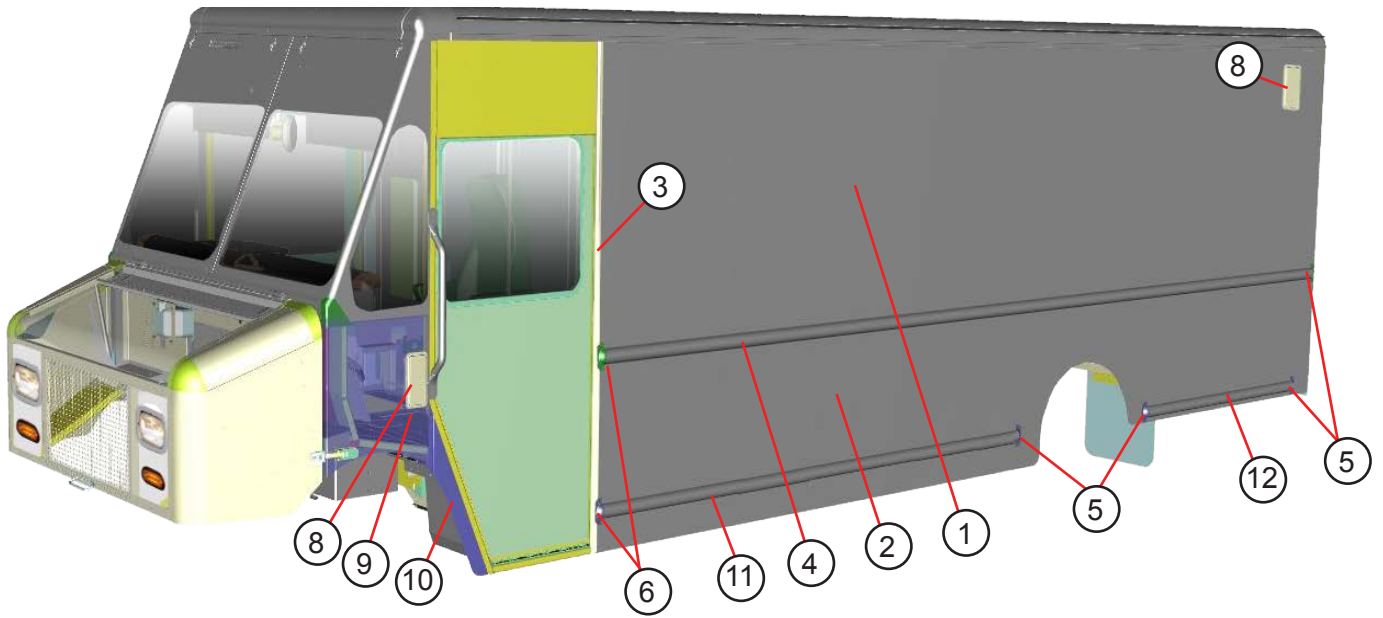
ITEM #	PART #	DESCRIPTION	QTY.	UNIT
1	088027200	INSTRUMENT PANEL WELDMENT	1	EA
2	107027403	BRACE I/P	1	EA
3	002027423	BRACKET SHIFTER	2	EA
4	093027402	BRACKET STIFFENER	1	EA
5	47008545	VENT 2 WAY HINGLESS	1	EA
6	47008548	GASKET VENT	1	EA
7	006327202	SPACER IGNITION SWITCH	1	EA
8	46023506	PLUG HL ROCKER SWITCH BLACK	3	EA
9	555001413	PANEL CONTROL HVAC	1	EA
10	098027405	PLATE COVER INSTRUMENT PANEL	1	EA
11	44000117	PLUG HL BLACK	1	EA
12	1111513	PLUG HL BLACK	1	EA
13	46026378	RECEPTICLE 12V POWER W/TETHER SS BODY	1	EA
14	098027402	PLATE ADAPTOR	1	EA
15	47000100	SHELF AL. WORK STATION 30"	1	EA
16	098027404	I/P END CTR AL.102X8.4X18.5	1	EA
17	47009282	SHELF AL WORK STATION 30" NO LK&DIV	1	EA



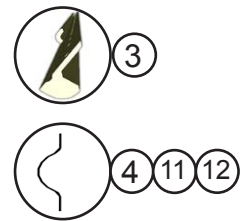
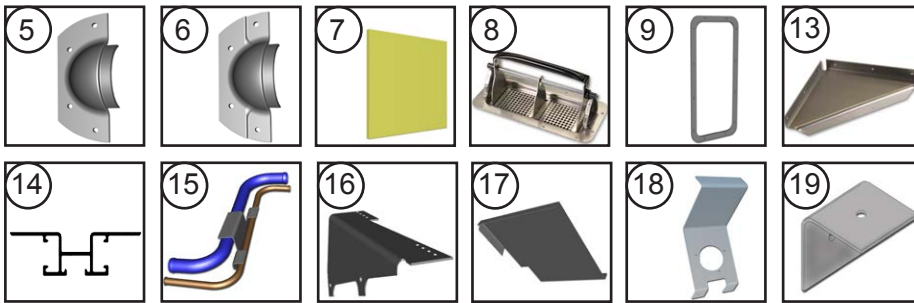
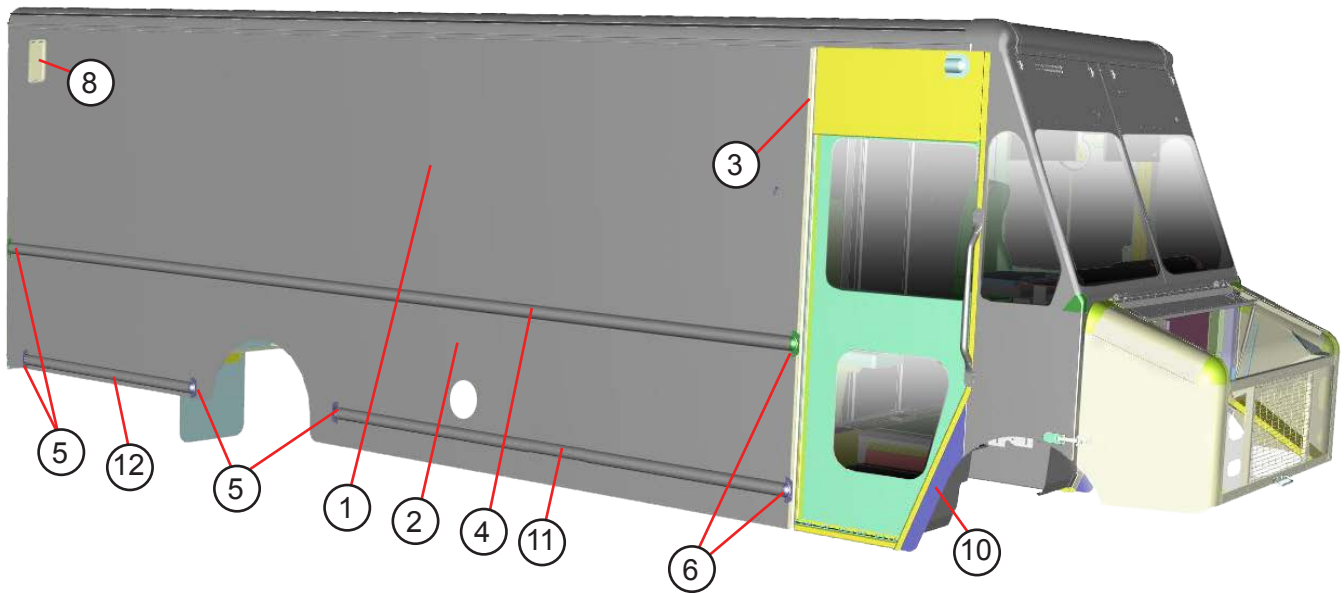
ITEM #	PART #	DESCRIPTION	QTY.	UNIT
1	47004301	SEAT HIGH BACK MAG200 W/ARMS	1	EA
2	005754400	BRACKET ANCH STL 7GAX7.24X25.75	1	EA
3	91614300	ANGLE AL FLOOR .188X2.84X19.1	1	EA
4	47012668	SEAT SOC/PEDESTAL FRE 3PNT NTLT LH	1	EA
5	128024410	BASE REINFORCEMENT STEEL 12GAX2X8	1	EA
6	48002631	S/BELT BLK W/BOOT BLKH MTG 3PNT	1	EA
7	47006005	SEAT TFTX BLACK JUMP FOLDING 16IN CTR	1	EA
8	47002605	SEAT HEAD BACK/REST TFTX BLK .5X27	1	EA
9	48002690	SEAT BELT W/7" D LOOP 3PNT	1	EA
10	1117959	WASHER STEEL FLAT ZP B .1X.53X1.75	1	EA
11	133069400	STIFFENER JUMP SEAT AL 450039X72.12	1	EA
12	083069404	STIFFENER JUMP SEAT ZEE AL 450043X72.12	1	EA



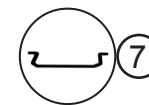
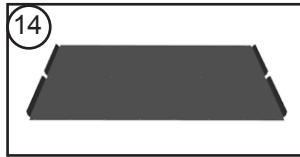
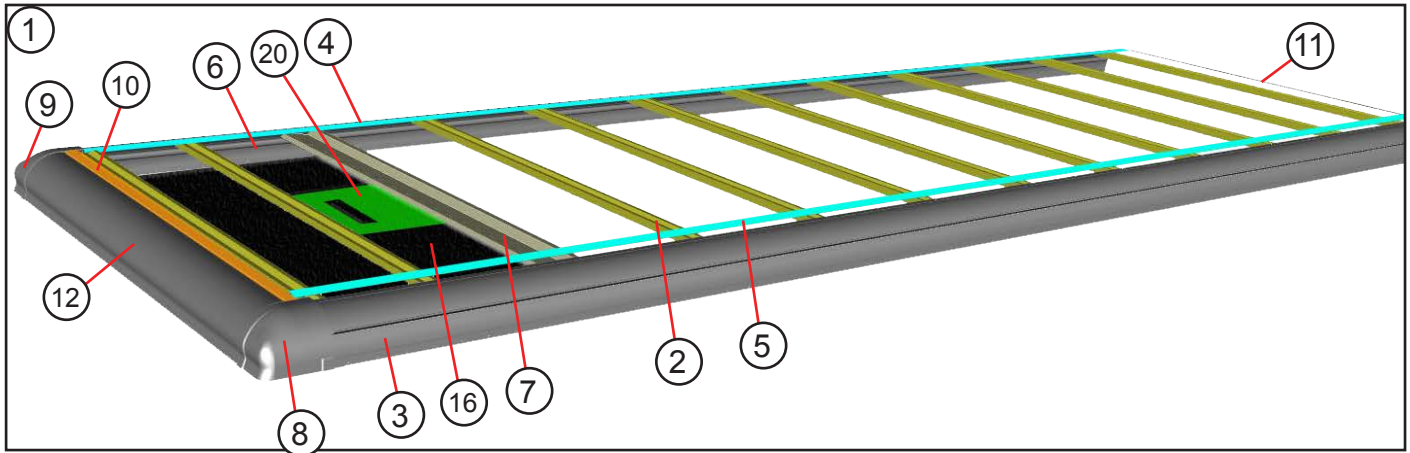
ITEM #	PART #	DESCRIPTION	QTY	UNIT
1	083033508	BEAM @ O LINE AL 450088X86.38	1	EA
2	125031401	ANGLE STEP @ O-LINE AL450187X33.5	1	EA
3	45051003	BEAM AL FLOOR RIB FEM/LAP 7X92.19	1	EA
4	45040203	BEAM AL FLOOR RIB M/FEM 8X92.1	5	EA
6	45040103	BEAM AL FLOOR RIB M/FEM 9X92.19	7	EA
7	45040503	BEAM AL FLOOR RIB M/FEM 8.5X92.19	1	EA
8	95869302	ANGLE W/BX ATTATCH AL 450018X44	2	EA
9	95869202	W/BX ASSEMBLY 93W 10" DW AL .102 KBK	2	EA
10	95869303	BEAM AL FLOOR RIB M/FEM 9X450401X40.6	4	EA
11	95869304	BEAM AL FLOOR RIB 8X450407X40.6	1	EA
12	45040503	BEAM AL FLOOR RIB M/FEM 8.5X92.19	1	EA
13	45040203	BEAM AL FLOOR RIB M/FEM 8X92.1	6	EA
14	45051003	BEAM AL FLOOR RIB FEM/LAP 7X92.19	1	EA
15	088033401	PLATE FILLER AL .125X6.68X92.38	1	EA
16	45059200	DROP SILL AL FLOOR 1.88X92.69	1	EA
17	47009530	DRAIN CHAMBER HDPE	2	EA
18	40900082	SPRING	4	EA
19	40900080	STUD	4	EA
20	40900081	GROMMET HALF	4	EA
21	095032209	DOOR ACCESS ASSEMBLY	1	EA
22	125012401	SUPPORT ACCESS DOOR AL.125X11.48X17.74	1	EA
23	45030300	ANGLE AL ATTATCH FLOOR/SIDE X241	.88	EA



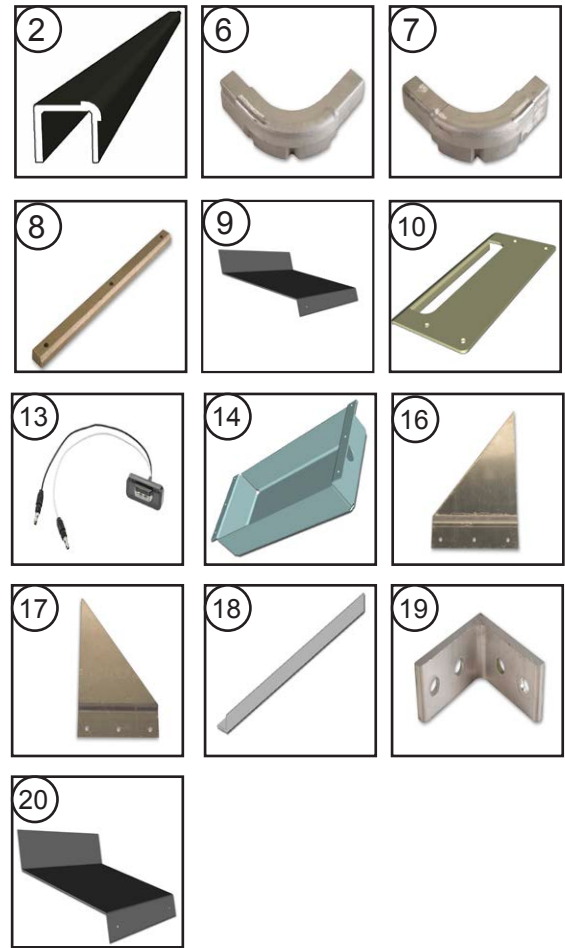
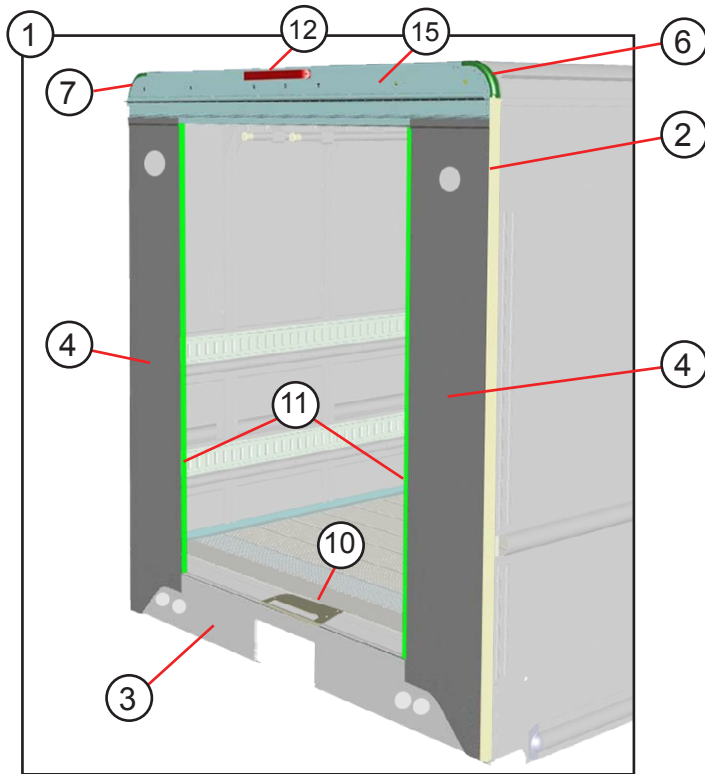
ITEM #	PART #	DESCRIPTION	QTY	UNIT
1	088038327	SIDE UPPER AL .102X60X225.31	1	EA
2	138037429	SIDE LOWER AL.102X37.5X225.31 LH	1	EA
3	077400400	POST B AL 450274X99.62 LH	1	EA
4	088039307	RUB/RAIL AL 450002X221	1	EA
5	1100799	END CAP REAR FL AL .125X2.37X5.5	4	EA
6	1100800	END CAP FORWARD AL .125X2.37X5.5	2	EA
7	7600165	PLATE FILLER RUB/RAIL AL .125X2.88X3	1	EA
8	47008545	VENT AL 2WAY HINGLESS	2	EA
9	47008548	GASKET VENT 2 WAY	2	EA
10	098022400	SKIRT TAIL ROADSIDE AL .07X5.76X36.83 LH	1	EA
11	088039403	RUB/RAIL LOWER AL 450002X99.32	1	EA
12	088039448	RUB/RAIL LOWER AL 450002X64	1	EA
13	001744400	GUSSET BRACE FLOOR TO SIDE AL .102X1.91X16.02	3	EA
14	093048412	STIFFENER SIDE AL 450595X79.5	7	EA
14	093048415	STIFFENER SIDE AL 450595X70.25 (OVER WHEEL BOX)	2	EA



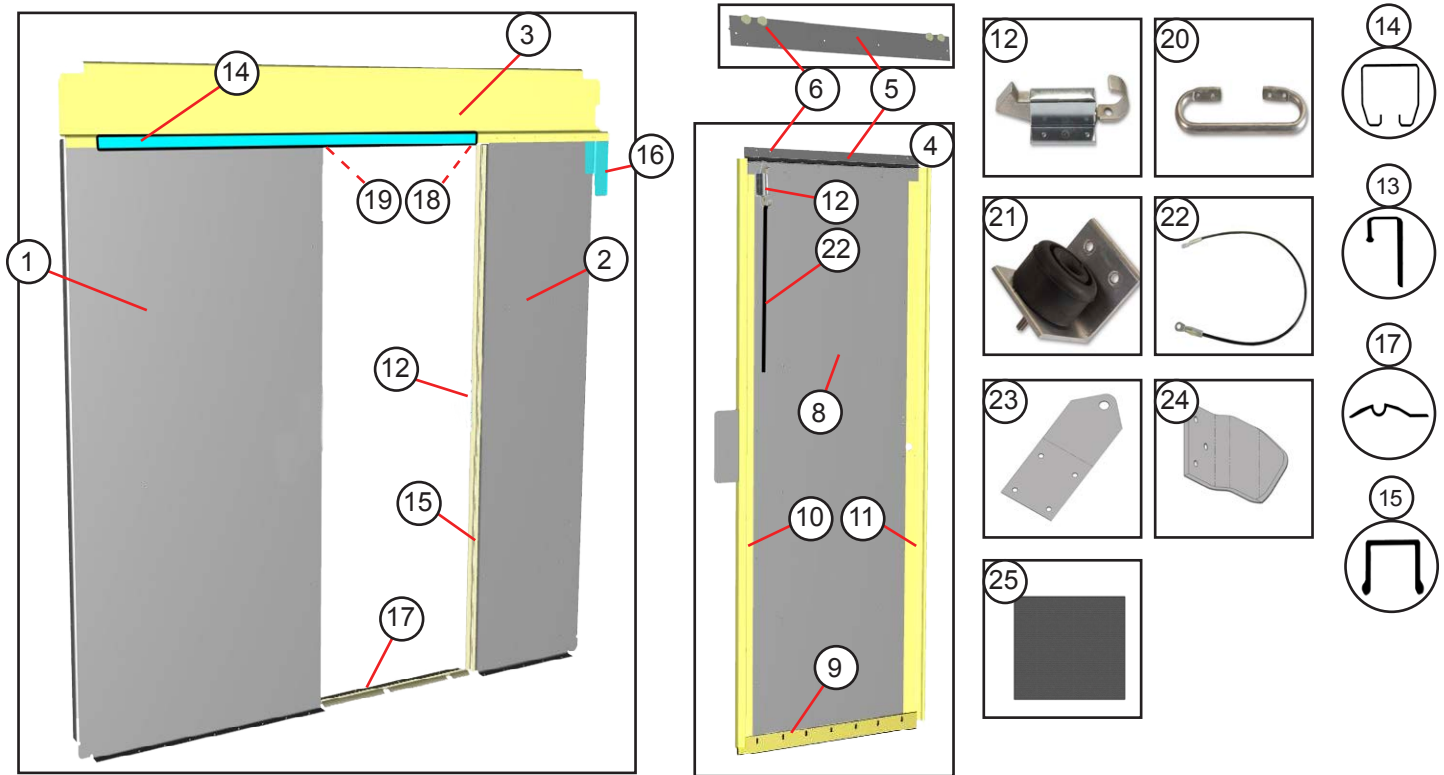
ITEM #	PART #	DESCRIPTION	QTY	UNIT
1	088038327	SIDE UPPER AL .102X60X225.31	1	EA
2	138037433	SIDE LOWER AL.102X37.5X225.31 RH	1	EA
3	077400401	POST B AL 450274X99.62 RH	1	EA
4	088039307	RUB/RAIL AL 450002X221	1	EA
5	1100799	END CAP REAR FL AL .125X2.37X5.5	4	EA
6	1100800	END CAP FORWARD AL .125X2.37X5.5	2	EA
7	7600165	PLATE FILLER RUB/RAIL AL .125X2.88X3	1	EA
8	47008545	VENT AL 2WAY HINGLESS	2	EA
9	47008548	GASKET VENT 2 WAY	2	EA
10	098022401	SKIRT TAIL CURBSIDE AL .07X5.76X36.83 RH	1	EA
11	088039403	RUB/RAIL LOWER AL 450002X99.32	1	EA
12	088039448	RUB/RAIL LOWER AL 450002X64	1	EA
13	001744400	GUSSET BRACE FLOOR TO SIDE AL .102X1.91X16.02	3	EA
14	093048412	STIFFENER SIDE AL 450595X79.5	7	EA
14	093048415	STIFFENER SIDE AL 450595X70.25 (OVER WHEEL BOX)	2	EA
15	115012400	FUEL FILL EXTENSION	1	EA
16	115012406	HNGR ANG EXT AL.07X6.6X12.96	1	EA
17	115012403	S/PN F/FIL AL.102X27.21X28.42	1	EA
18	115012402	BRKT F/FIL MT AL.102X4.5X13.66	1	EA
19	82312025	SUPT S/PN AL .07X1.5X2.84	1	EA



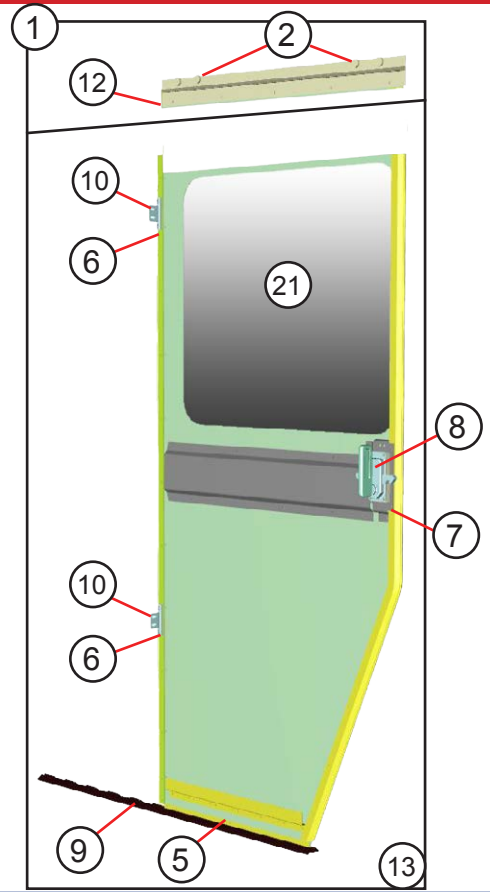
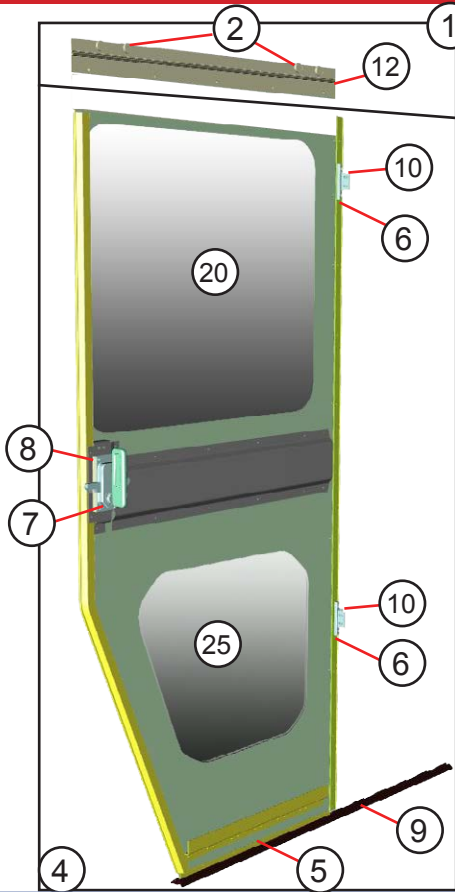
ITEM #	PART #	DESCRIPTION	QTY	UNIT
1	088010030	ROOF ASSEMBLY 18' 93W	1	EA
2	45601603	ROOF BOW STEEL 16GA SEC456016 X89.12	11	EA
3	098010413	ROOF RAIL 18' ROADSIDE 456144X261.25	1	EA
4	098010414	ROOF RAIL 18' CURBSIDE 456144X261.25	1	EA
5	088010516	RAIL INTERLOCK ROADSIDE	1	EA
6	088010517	RAIL INTERLOCK CURBSIDE	1	EA
7	118010402	ROOF BEAM @ O LINE STEEL 14GAX13.54X89.12	1	EA
8	077100400	CORNER CASTING ROADSIDE	1	EA
9	077100401	CORNER CASTING CURBSIDE	1	EA
10	89310506	NOSE ROOF INTERLOCK	1	EA
11	89310507	ROOF INTERLOCK TRANSOM	1	EA
12	083010400	ROOF NOSE	1	EA
NS	1100010	ROOF SKIN AL .037X82.5XFT	21.98	FT
13	083011458	LINER ROOF EMB .023X49X86.99	4	EA
14	083011466	LINER ROOF EMB .023X25X86.99	1	EA
15	083011470	LINER ROOF FRONT EMB .023X39X86.99	1	EA
NS	1109001	INSULATION FIBERGLASS 1X48X100"	30	FT
NS	1109001	INSULATION FIBERGLASS 1X48X100"	7.25	FT
NS	1109001	INSULATION FIBERGLASS 1X48X100"	5.5	FT
15	47006610	CLIP PLASTIC FLAT HEAD (54 CAB - 80 CARGO AREA)	134	EA
16	42002019	LINER ROOF CAB YC-25 FOSS GRY 42.81X90	1	EA
20	090091403	DOME LAMP BRACKET	1	EA
21	44000052	GROMMET	1	EA



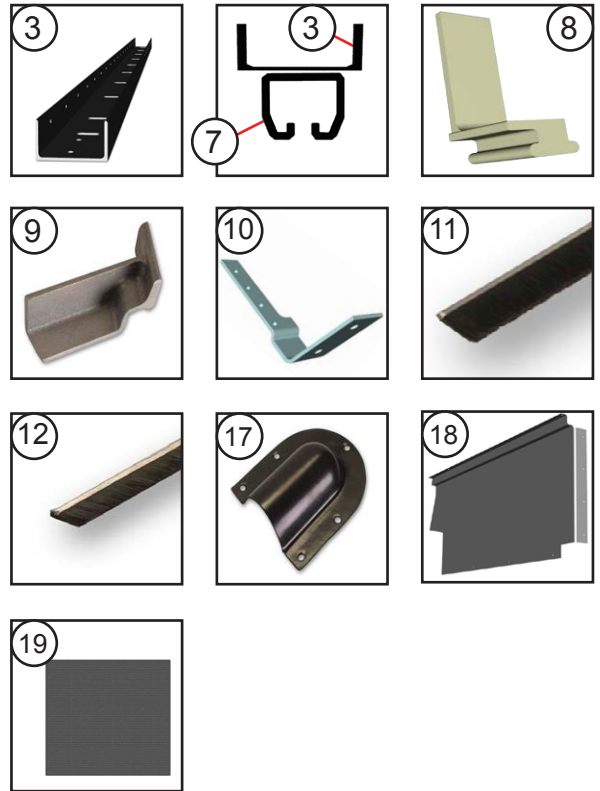
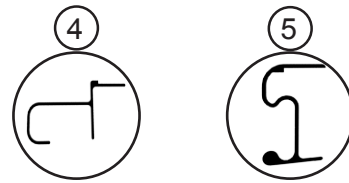
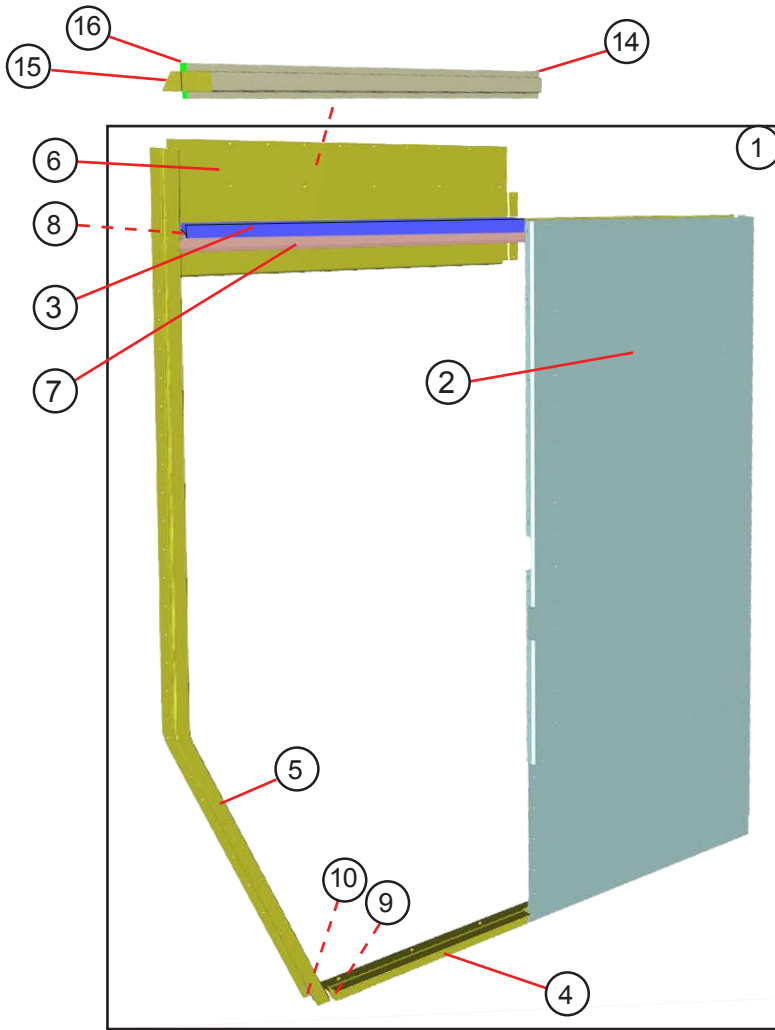
ITEM #	PART #	DESCRIPTION	QTY	UNIT
1	083050056	BACK ASSEMBLY 85H93W 58" 2 PIECE HINGE 4LP	1	EA
2	083053453	CHANNEL POST CORNER AL 450359X92.69	2	EA
3	083053601	SILL REAR 93W AL 450024X88.75	1	EA
4	083050741	PANEL BACK AL .102X16.63X88.44 L/R	1	EA
5	77552018	HEADER BACK 93 W AL 450138X92	1	EA
6	45100009	CORNER CAST REAR ROOF ANGLE ROADSIDE	1	EA
7	45100010	CORNER CAST REAR ROOF ANGLE CURBSIDE	1	EA
8	45100106	STRIKER BRZC DOOR	1	EA
9	7907976	GUARD LAMP REAR AL .07X14X14.03	2	EA
10	004051401	PLATE STRIKER D/R LOWER 4.33X9	1	EA
11	083050461	POST HINGE AL 450011X77.13	2	EA
12	46001905	LAMP AUX TURN BAR (GROMMET - 1107109)	1	EA
13	47009642	LAMP LED LICENSE PLATE BOX	1	EA
14	140092201	LICENSE PLATE BOX AL.102X12.45X23.18	1	EA
15	083050410	TRANSOM 93W HINGED 450254X91.62	1	EA
16	90650304	GUSSET UPPER AL .125X5.12X6.59 LH	1	EA
17	90650305	GUSSET UPPER AL .125X5.12X6.59 RH	1	EA
18	79885033	ANGLE SUPPORT LIC PLT BOX AL 450184X21.56	1	EA
19	96750313	ANGLE CLIP AL 450196X1	2	EA
20	7907976	GUARD LAMPS	2	EA



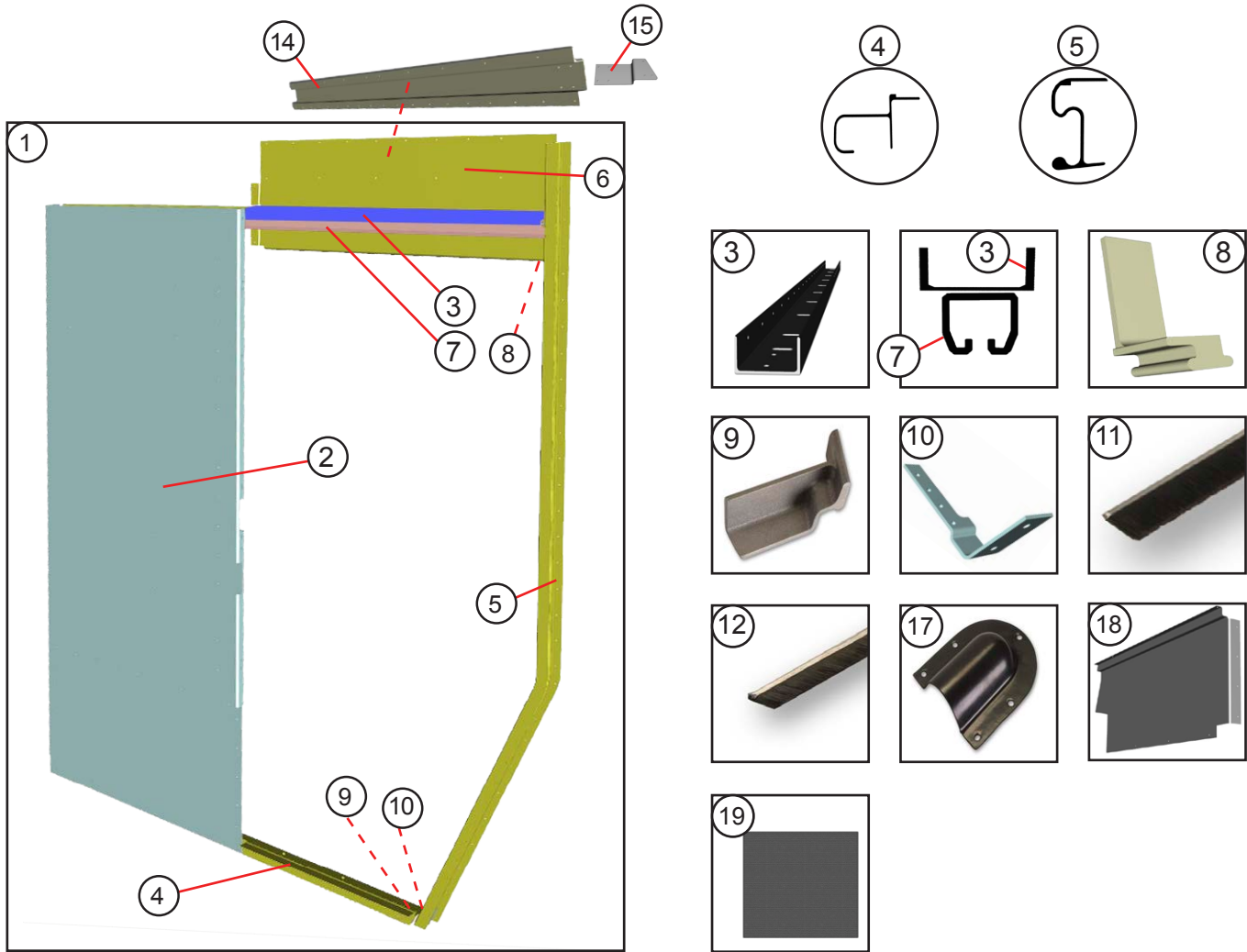
ITEM #	PART #	DESCRIPTION	QTY	UNIT
1	088070407	PANEL BULKHEAD AL .102X37.94X77.38 ROADSIDE	1	EA
2	088070400	PANEL BULKHEAD AL .102X24.13X77.38 CURBSIDE	1	EA
3	088070414	HEADER BULKHEAD ZEE AL .102X12.9X92.4	1	EA
4	088070204	DOOR ASSEMBLY BULKHEAD N/WDO MDL HNDL POS	1	EA
5	088070439	PLATE HANGER AL 450515X27.38	1	EA
6	47006595	BEARING SR311-214 & RT311-278	4	PR
7	44008050	SEAL BRUSH TYPE B 1X83.9	1	EA
8	088070429	PANEL DOOR BULKHEAD AL .125X24.27X73.2	1	EA
9	088070434	WEAR STRIP BULKHEAD DOOR 452002X28.75	1	EA
10	088070418	BHD EDG AL 450503X73.26 LH	1	EA
11	088070423	BHD EDG AL 450504X73.26 RH	1	EA
12	1113046	LATCH FINGER PULL	1	EA
13	088070435	CHANNEL BULKHEAD AL 450502X72.15LH	1	EA
14	005770200	TRACK DOOR ASSEMBLY	1	EA
15	96770312	JAMB AL 450326X74.37	1	EA
16	088070443	PLATE BULKHEAD AL .055X3.65X8.29RH	1	EA
17	96770316	GUDIE DOOR FLOOR AL 450414X47.88	1	EA
18	98770201	STRIKER WELDMENT BHD ASSEMBLY	1	EA
19	98770202	STRIKER WELDMENT BHD ASSEMBLY	1	EA
20	47001063	GRAB HANDLE 1" AL 31.875L 2.75DP ANZ	1	EA
21	5903152	DOOR STOP ASSEMBLY	1	EA
22	1113600	CABLE - DOOR LATCH	1	EA
23	7900481	BRACKET PADLOCK AL .188X2.25X5.72	1	EA
24	999319400	ANGLE PADLOCK BULKHEAD AL .188X2.25X4.17	1	EA
NS	47009600	CARPET GREY BLACHFORD CFA3-25	12.5	FT



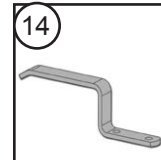
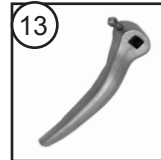
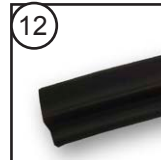
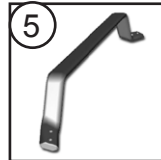
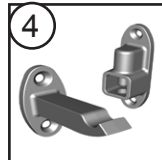
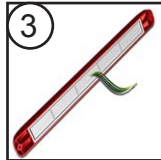
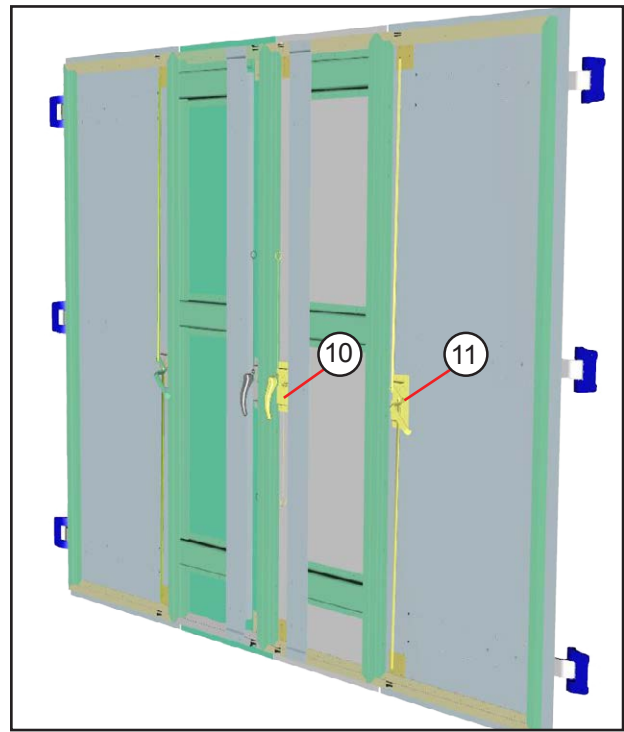
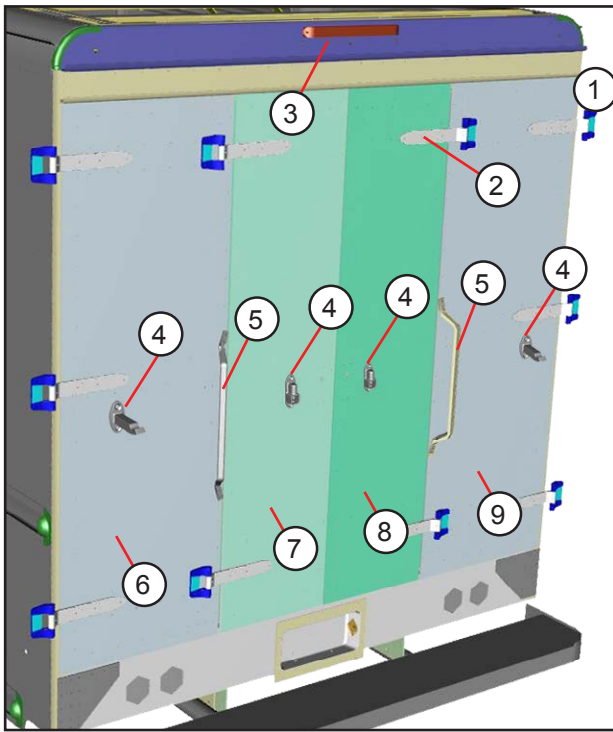
ITEM #	PART #	DESCRIPTION	QTY	UNIT
1	96760203	HANGER ASSEMBLY	1	EA
2	47006595	BEARINGS	4	PR
3	44008050	SEAL BRUSH TYPE B 1X83.9	1	EA
4	118060201	DOOR ASSEMBLY CURBSIDE	1	EA
5	98760306	WEAR STRIP 450008X25.75	1	EA
6	45200206	SPACER ANTI RATTLE CLIP	2	EA
7	1113016	LATCH MECHINISM	1	EA
8	087181	SPACER LATCH	1	EA
9	47002766	GUIDE NYLON DOOR MLDD LOWER X51.44	1	EA
10	96760318	CLIP ANTI RATTLE AL.188X2X2.7	2	EA
11	44004104	SEAL RUBBER RS FWD DR X89.25	1	EA
12	96760307	PLATE DOOR HANGER	1	EA
13	118060200	DOOR ASSEMBLY ROADSIDE	1	EA
14	1107270	SEAL TR SCHLEG1426-X999	8	FT
15	45100093	STRIKER BRONZE D/S RR	2	EA
16	45100163	STRIKER BRONZE D/S RR	1	EA
17	44002011	BUMPER RUBBER	1	EA
18	47000689	HANDLE SIDE BLACK	1	EA
19	47001181	REMOVABLE CYCLINDER	1	EA
20	45800062	WINDOW SLIDING CURBSIDE (FILLER STRIP 7.68 FT - 44004200)	1	EA
21	45800063	WINDOW SLIDING ROADSIDE (FILLER STRIP 7.68 FT - 44004200)	1	EA
22	45210009	PANEL DOOR INNER LOWER AL .07X39.4X40.02 RH (45210007 - LH)	1	EA
23	45100094	BRACKET STRIKER CAST D/S	1	EA
24	44004262	WEATHER STRIP FLUSH MOUNTING X93.25	1	EA
25	1111637	GLASS SAFETY RH DOOR .25 84456-10	1	EA



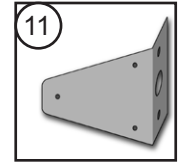
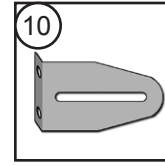
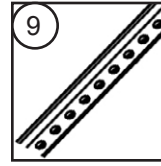
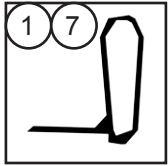
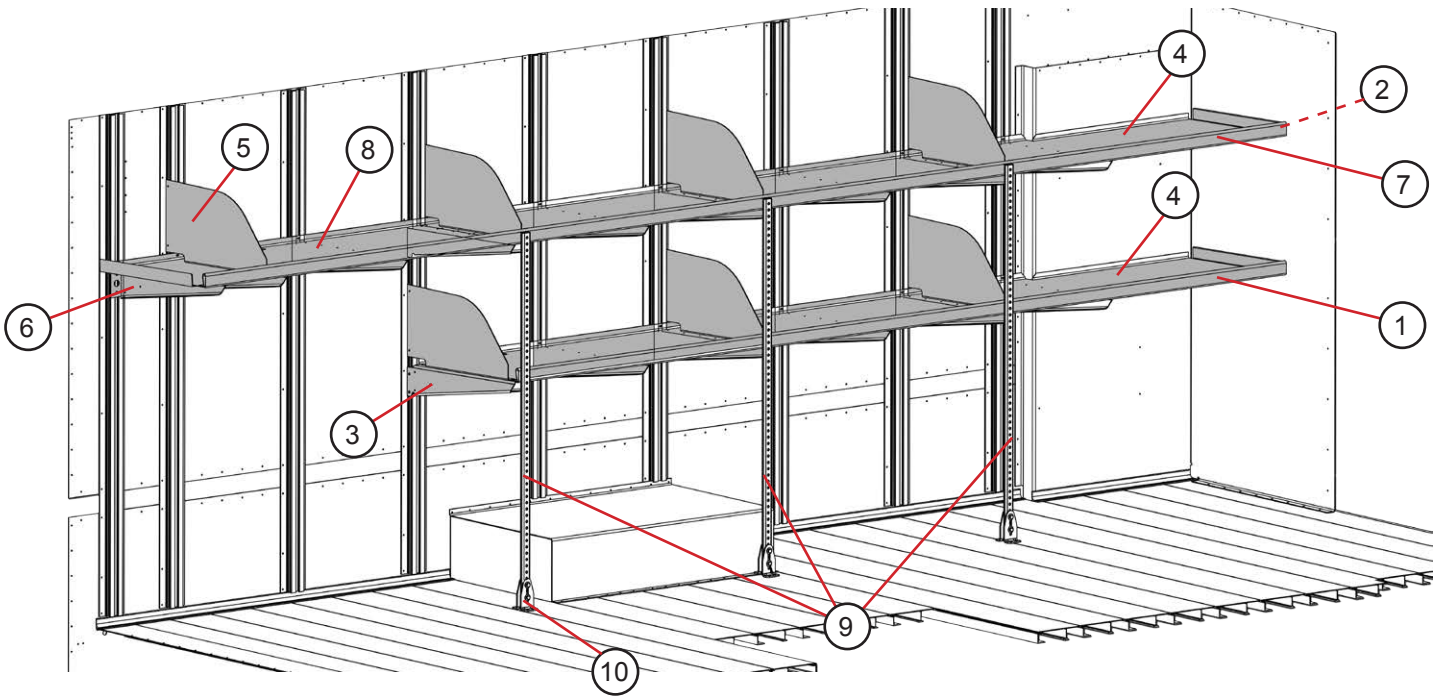
ITEM #	PART #	DESCRIPTION	QTY.	UNIT
1	077041209	DOOR POCKET ASSEMBLY 85H Y RH W/VT	1	EA
2	118041401	PANEL DOOR POCKET AL.102X42.26X87.65RH	1	EA
3	96741303	CHANNEL HEADER AL 450256X75 RH	1	EA
4	98741353	NOSE STEP AL 450247X61.29 RH	1	EA
5	077410401	DOOR POST AL 450294X102.43RH	1	EA
6	077410409	PANEL HEADER AL.102X19.49X42.37 RH	1	EA
7	96741202	TRACK ASSEMBLY UPPER	1	EA
8	45100049	GUSSET HEADER CHANNEL TO DOOR POST	1	EA
9	45100105	DOOR POST CASTING LOWER	1	EA
10	001741408	REINFORCEMENT BRACKET AL.125X1.53X8.04 RH	1	EA
11	44004060	SEAL BRUSH TYPE C 1.5X82	1	EA
12	44008050	SEAL BRUSH TYPE B 1X83.9	1	EA
NS	45900001	PLUG WD RUBRAIL .75X1.12X2.9	1	EA
14	083042401	STIFFENER HEADER AL450328X73.75 RH	1	EA
15	96742302	CLIP AL Z .102X3X9.57	1	EA
16	45100074	CAP RAIL END (OPTIONAL)	1	EA
17	47008533	VENT CAP PLASTIC (OPTIONAL)	1	EA
18	123019405	PANEL LINER HEADER AL.07X19.48X50.57 RH	1	EA
19	47009600	CARPET GREY BLACHFORD	2	FT



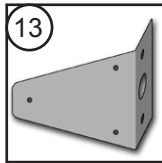
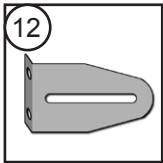
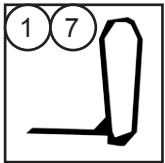
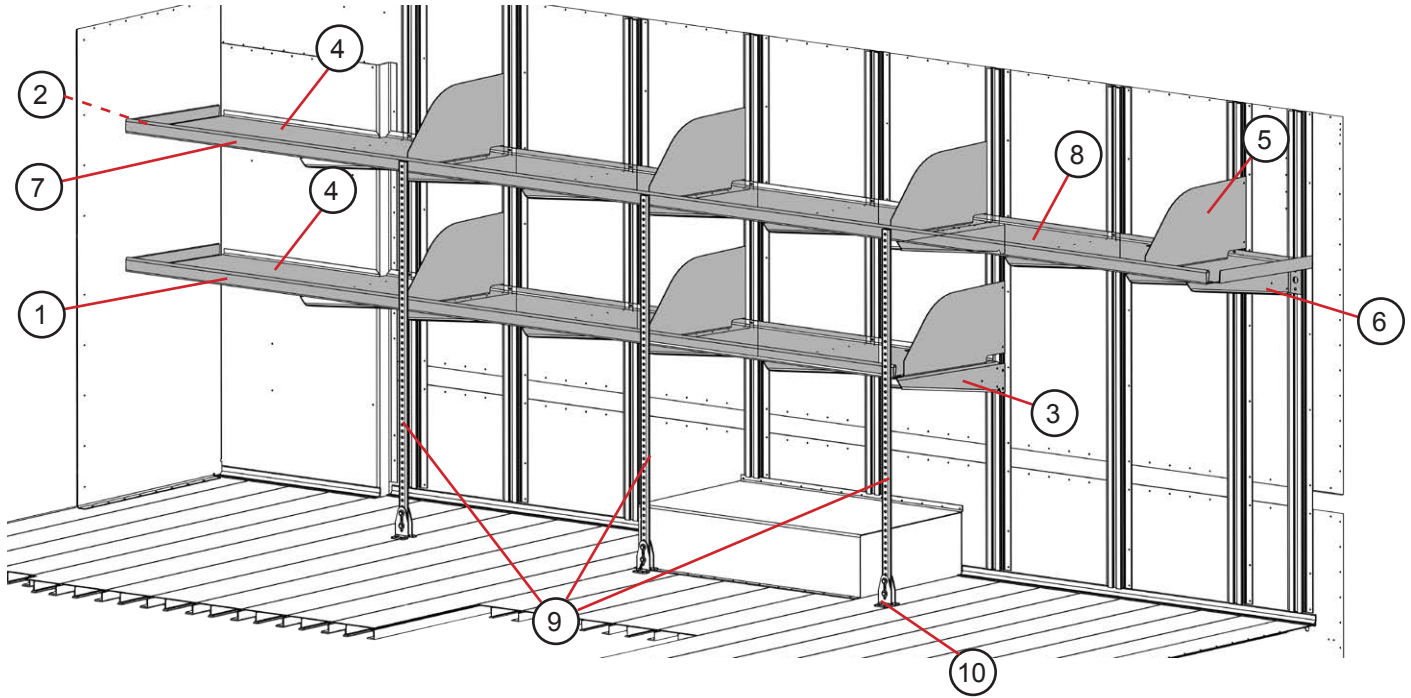
ITEM #	PART #	DESCRIPTION	QTY.	UNIT
1	077041214	DOOR POCKET ASSEMBLY 3" 85H Y RH W/VENT	1	EA
2	118041400	PANEL DOOR POCKET AL.102X42.26X87.65 LH	1	EA
3	96741302	CHANNEL HEADER AL 450256X75 LH	1	EA
4	98741352	NOSE STEP AL 450247X61.29 LH	1	EA
5	077410400	DOOR POST AL 450294X102.43 LH	1	EA
6	077410404	PANEL HEADER AL.102X19.49X42.37 LH	1	EA
7	96741202	TRACK ASSEMBLY UPPER	1	EA
8	45100048	GUSSET HEADER CHANNEL TO DOOR POST	1	EA
9	45100104	DOOR POST CASTING LOWER LH	1	EA
10	001741407	REINFORCEMENT BRACKET PST AL.125X1.53X8.04 LH	1	EA
11	44004060	SEAL BRUSH TYPE C 1.5X82	1	EA
12	44008050	SEAL BRUSH TYPE B 1X83.9	1	EA
13	45900001	PLUG WD RB/RL .75X1.12X2.9	1	EA
14	083042400	STIFFENER HEADER AL450328X73.75 LH	1	EA
15	96742302	CLIP AL ZEE .102X3X9.57	1	EA
16	123019408	PANEL LINER HEADER AL.07X19.45X44.37 LH	1	EA
17	47009600	CARPET GREY BLACHFORD	4	FT



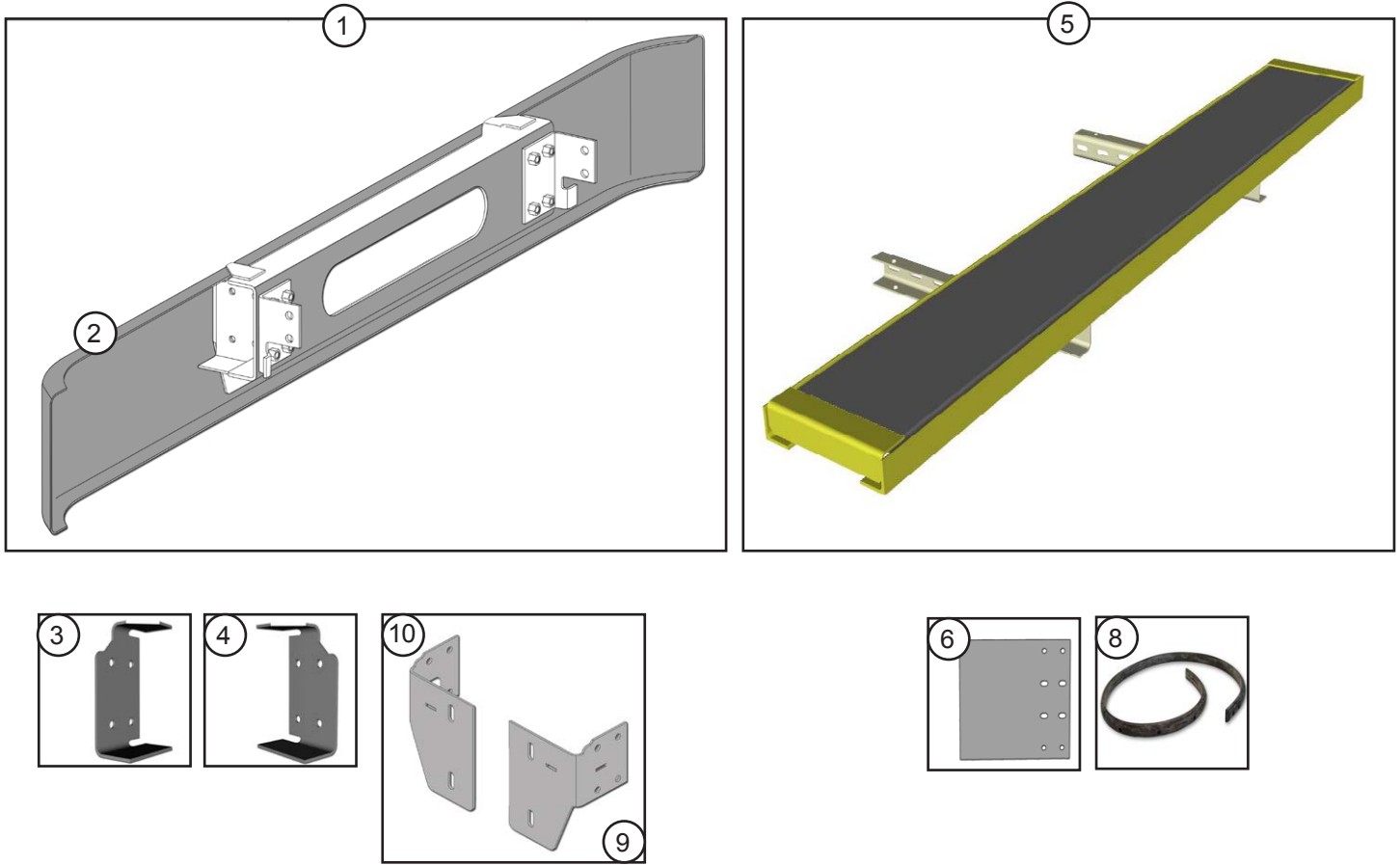
ITEM #	PART #	DESCRIPTION	QTY.	UNIT
1	120054000	DOOR REAR INSTALLATION 4PC F/O 81H93W NO/WINDOW	1	EA
2	47007897	HINGE AL CAST STRAP W/ZERK	10	EA
3	46001905	LAMP AUX S/LH+RH TURN BAR	1	EA
4	1113035	HOLD/BACK DOOR HD 3IN M/FEM	2	EA
5	120143400	GRAB HANDLE DOOR AL450243X27.81	2	EA
6	120054200	DOOR REAR ASSEMBLY LH OTR 4PC F/O 81H93W WOG	1	EA
7	120054202	DOOR REAR ASSEMBLY LH INR 4PC F/O 81H93W WOG	1	EA
8	120054204	DOOR REAR ASSEMBLY RH INR 4PC F/O 81H93W WOG	1	EA
9	120054206	DOOR REAR ASSEMBLY RH OTR 4PC F/O 81H93W WOG	1	EA
10	120054208	DOOR REAR HARDWARE & FASTENER 38" SL	2	EA
11	96352205	DOOR REAR HARDWARE & FASTENER 80H DDBLT LH/RH	2	EA
12	1107047	SEAL SPONGE D/R 64238XFT - 11.2 FT	2	EA
12	1107047	SEAL SPONGE D/R 64238XFT - 17.12 FT	2	EA
13	1113015	HANDLE DOOR (INNER)	2	EA
14	103051409	HANDLE DOOR MECH 47000669X.75X8.5	2	EA
15	47001176	HANDLE REAR BLACK NO CYLINDER (OUTER)	2	EA
16	47001181	HANDLE CYLINDER REMOVABLE	2	EA



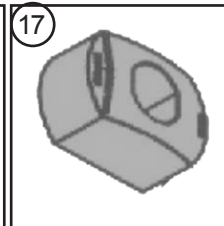
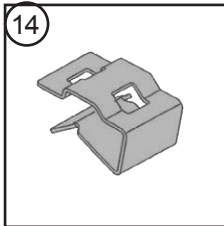
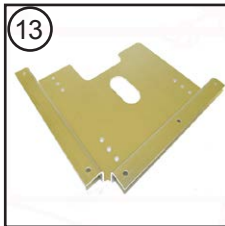
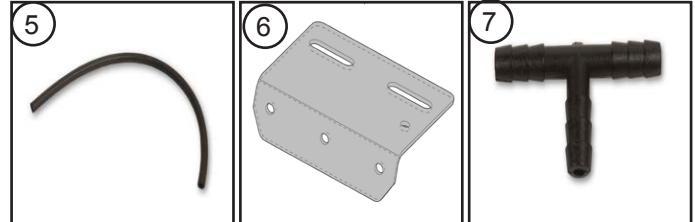
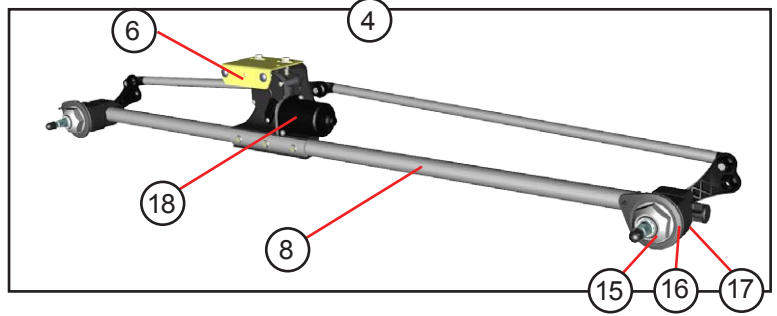
ITEM #	PART #	DESCRIPTION	QTY.	UNIT
	138105258	SHELF ASSEMBLY FIXED TOP LH	1	EA
	138105259	SHELF ASSEMBLY FIXED BOTTOM LH	1	EA
1	138105709	LIP SHELF BOTTOM AL 450589X152.49 LH	1	EA
2	083105407	ANGLE SHELF REAR AL 450523X23.25	1	EA
3	138105511	SUPPORT SHELF AL .125X6.65X27.28 RH	1	EA
4	138105531	SHELF FRONT AL .07X26.91X151.49 LH	2	EA
5	138105522	DIVIDER SHELF AL .102X13.63X25.42 LH	7	EA
6	138105510	SUPPORT SHELF AL .125X6.65X27.28 LH	6	EA
7	138105708	LIP SHELF TOP AL 450589X214.74 LH	1	EA
8	138105513	PANEL SHELF REAR AL .07X26.92X63.25 L	1	EA
9	138105537	SHELF UPRIGHT AL 45057X59.25	3	EA
10	092105411	BRACKET MOUNTG UPPERR AL .188X2.5X6.02IN	6	EA
11	093105703	SUPPORT BRACKET ST 11GAX4.38X7.56	15	EA



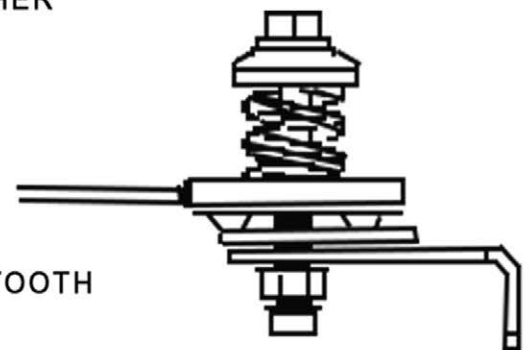
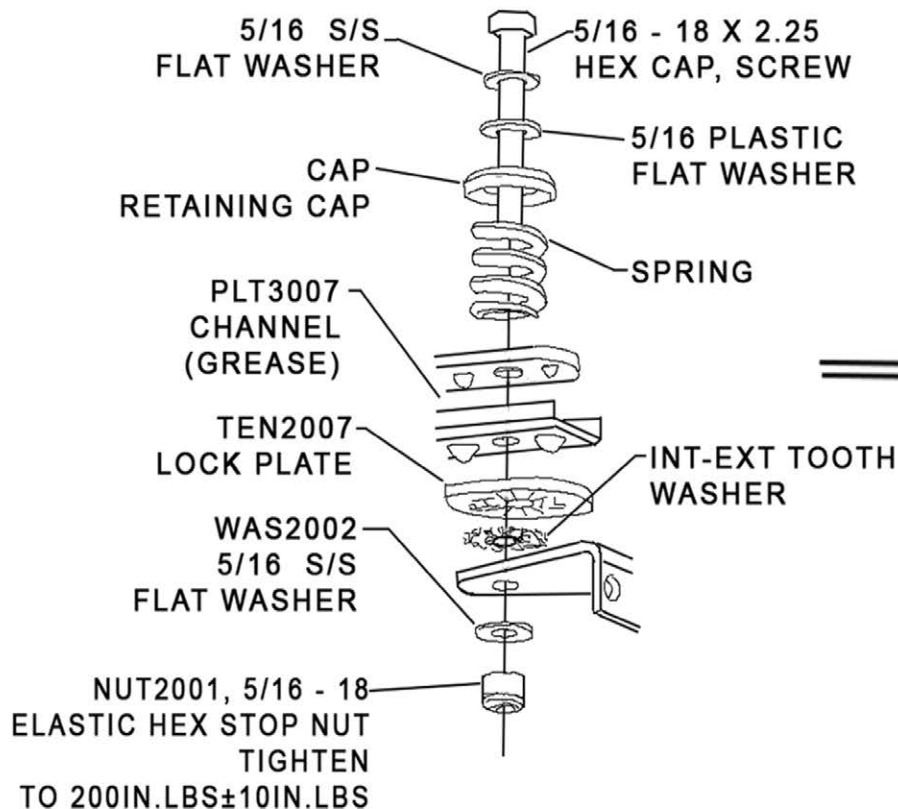
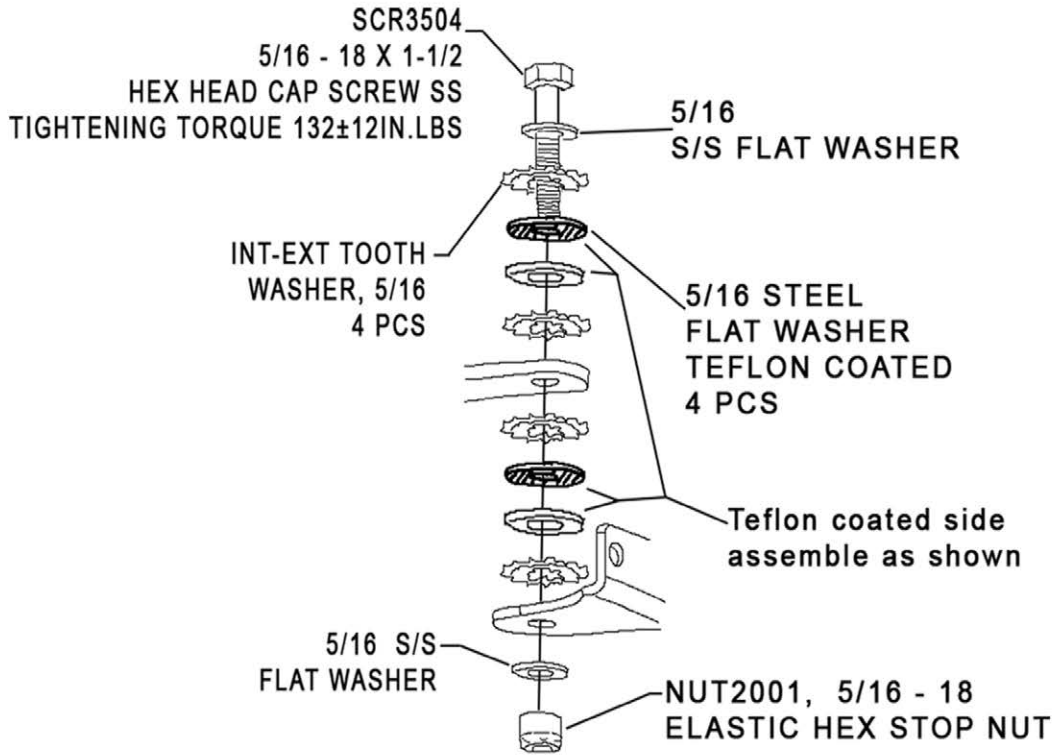
ITEM #	PART #	DESCRIPTION	QTY.	UNIT
	138105260	SHELF ASSEMBLY FIXED TOP RH	1	EA
	138105261	SHELF ASSEMBLY FIXED BOTTOM RH	1	EA
1	138105711	LIP SHELF BOTTOM AL 450589X152.49 RH	1	EA
2	083105407	ANGLE SHELF REAR AL 450523X23.25	1	EA
3	138105510	SUPPORT SHELF AL .125X6.65X27.28 RH	1	EA
4	138105532	SHELF FRONT AL .07X26.91X151.49 RH	2	EA
5	138105523	DIVIDER SHELF AL .102X13.63X25.42 RH	7	EA
6	138105511	SUPPORT SHELF AL .125X6.65X27.28 RH	6	EA
7	138105710	LIP SHELF TOP AL 450589X214.74 LH	1	EA
8	138105514	PANEL SHELF REAR AL .07X26.92X63.25 L	1	EA
9	138105537	SHELF UPRIGHT AL 45057X59.25	3	EA
10	092105411	BRACKET MOUNTG UPPERR AL .188X2.5X6.02	6	EA
11	093105703	SUPPORT BRACKET ST 11GAX4.38X7.56	15	EA

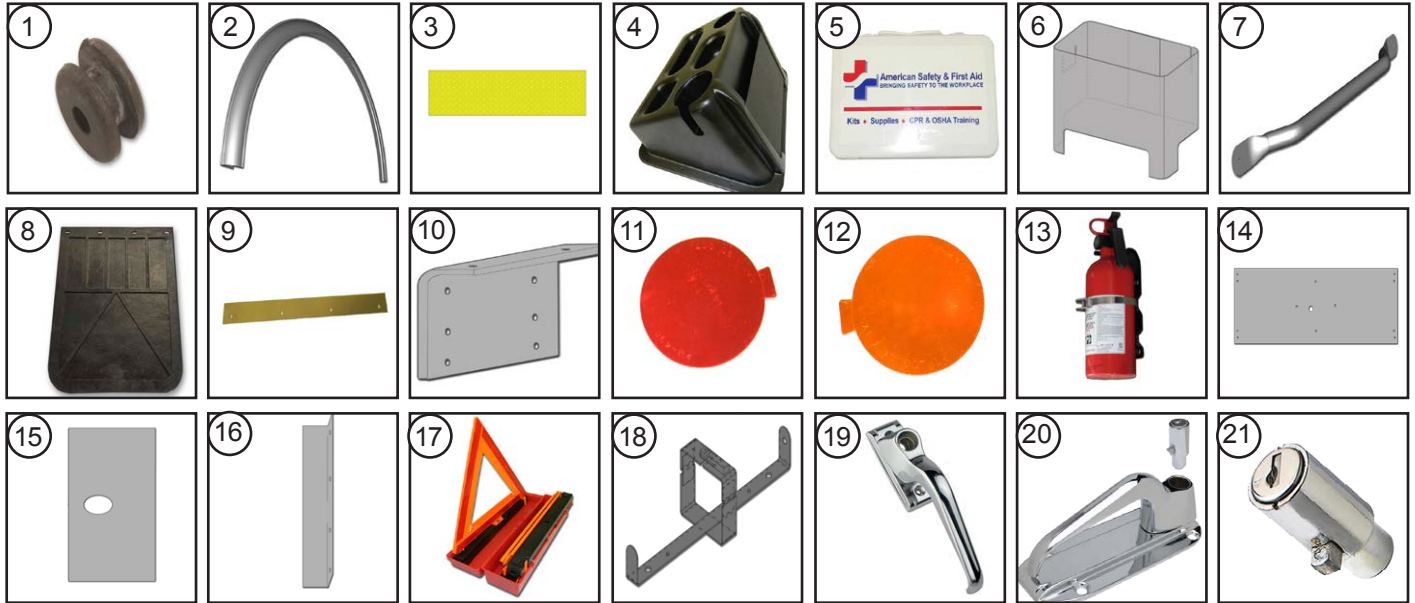


ITEM #	PART #	DESCRIPTION	QTY.	UNIT
1	115008001	BUMPER FRONT INSTALLATION	1	EA
2	004057457	BUMPER STEEL 93W 11"	1	EA
3	115008402	BRACKET BUMPER STEEL 7GAX4.5X12.56 ROADSIDE	1	EA
4	115008403	BRACKET BUMPER STEEL 7GAX4.5X12.56 CURBSIDE	1	EA
5	103057205	BUMPER REAR ASSEMBLY 12" G/STRU 93W	1	EA
6	90506341	HANGER BUMPER STEEL .312X11X11	2	EA
8	97757309	PROTECTIVE BUMPER REAR X29.88	2	EA
9	115008200	BUMPER FRONT WELDMENT ASSEMBLY ROADSIDE	1	EA
10	115008201	BUMPER FRONT WELDMENT ASSEMBLY CURBSIDE	1	EA

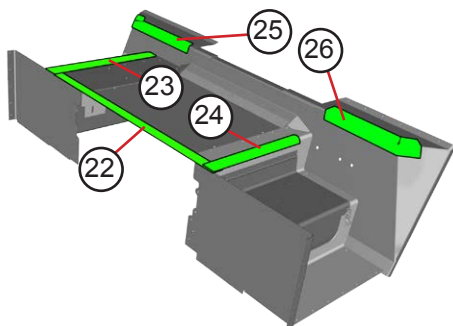


ITEM #	PART #	DESCRIPTION	QTY.	UNIT
1	007151000	MIRROR INSTALLATION	1	PR
2	47005681	HEATED MIRROR ASSEMBLY ROADSIDE	1	EA
3	47005680	HEATED MIRROR ASSEMBLY CURBSIDE	1	EA
4	117363001	WINDSHIELD WIPER INSTALLATION (INCLUDES ITEMS 5,6,7, 8)	1	EA
5	1107122	HOSE .188 ID WSW	12	FT
6	083055454	BRACKET WIPER MOTOR	1	EA
7	1101694	TEE WSWA U/T	1	EA
8	47004188	WIPER SYSTEM TBLR 2 PIVOT	1	EA
9	007363004	WIPER ARM WITH BLADE	1	EA
10	47004134	BLADE 24IN BLACK	1	EA
11	47004186	ARM WSW WET 22IN RADIAL BLACK	1	EA
12	47004137	RSVR W/PUMP WSWA	1	EA
13	003705413	BRACKET MOUNTING RSVR	1	EA
14	46021115	CLIP BODY LARGE PAN	1	EA
15	47005901	NUT	2	EA
16	47005902	PIVOT COVER	2	EA
17	47005903	SPACER	2	EA
18	47005900	MOTOR WINDSHIELD WIPER	1	EA
NS	47005625	NON HEATED MIRROR ROADSIDE (CURBSIDE 47005624) SEE COVER PIC	1	EA





ITEM #	PART #	DESCRIPTION	QTY.	UNIT
1	1107324	GROMMET	1	EA
2	083129404	FENDER RUBBER TYPB X69.25 RR (OPTIONAL)	2	EA
3	138100438	ADHESIVE ANTI SLIP VINYL 4.5X24	20	EA
4	47009626	CENTER CONSOLE CUP HOLDER	1	EA
5	47009644	FIRST AID KIT - 10 PERSON	1	EA
6	137024400	SHIELD SPLASH BATTERY 45200014X12X52	1	EA
7	47001063	GRAB HANDLE 1" AL 31.875L 2.75DP ANZ	5	EA
8	1107308	MUD FLAPS BLACK NO LOGO 20X24	1	PR
9	7504428	RETAINER MUD FLAPS	2	EA
10	80795014	ANGLE RETAINER MUD FLAPS	2	EA
11	46025017	REFLECTOR RED SPITFIRE 2.88 DIA. X4	1	EA
12	46025018	REFLECTOR AMBER SPITFIRE 2.88 DIA. X2	1	EA
13	47009622	FIRE EXTINGUISHER 5LB.	1	EA
14	100092400	BRACKET DOME LAMP MOUNTING (2 LOAD / 1 CAB)	0	EA
15	78331095	PLATE TIE DOWN	23	EA
16	97650306	ANGLE TIE DOWN	1	EA
17	47009547	REFLECTOR KIT - TRIANGLES	1	EA
18	47009548	BRACKET REFLECTOR FLARE KIT	1	EA
19	47001192	HANDLE REAR CHROME RUD W/O CYCLINDER	0	EA
20	47000690	HANDLE SIDE CHROME W/O CYCLINDER	0	EA
21	47001181	CYLINDER REMOVABLE (CHROME)	0	EA



TRIM - STEP ASSEMBLY

- 22 - 083019418 - TRIM MAT @ O/LINE ALD .08X2.29X53
- 23 - 090019402 - TRIM STEP ALD .08X2.68X27.25 LH
- 24 - 090019403 - TRIM STEP ALD .08X2.68X27.25 RH
- 25 - 090019400 - TRIM TOEBOARD ALD .08X7.89X22.64 LH
- 26 - 090019401 - TRIM TOEBOARD ALD .08X7.89X22.64 RH
- NS - 42002055 - INSUL SOUND ABSRB FLOORMAT 60X95



ITEM #	PART #	DESCRIPTION	QTY.	UNIT
1	115085004	HORN INSTALLATION	1	EA
2	115085401	MOUNTING BRACKET HORN	1	EA
3	47001063	GRAB HANDLE 1" AL 31.875L 2.75DP ANZ	3	EA
4	47009282	SHELF WORK STATION NO LOCK / DIVIDERS	1	EA
5	098137406	PLATE STEP FBG .125X10X16	1	EA
6	098137405	PLATE STEP FBG .125X9.1X17	1	EA
7	093116410	INSULATION DASH WALL BTRLAX3-2A	1	EA
8	47001053	RAIL GRAB REMOVABLE YELLOW	1	EA
9	098137402	PLATE STEP OVERLAY FBG .125X8.5X24.1	1	EA
10	098137401	PLATE STEP OVERLAY FBG .125X7.75X22	1	EA
11	46004443	GROMMET REAR LIGHTS	6	EA
12	47106596	SEAL BRUSH SIDE 1.0" / SEAL BRUSH HEADER 47106599 1.5"	2	EA
13	1113539	PLUG LIGHTER 12V	1	EA
14	47005504	SUNVISOR (BRACKET-090061400 AL.102X2.5X13.97 RH)	2	EA
15	1113430	DOCUMENT POUCH	1	EA
16	1107072	GROMMET	1	EA
17	11007087	GROMMET (HEATED MIRRORS)	2	EA
18	43004362	BAG PLASTIC DOC WALK-IN	1	EA
19	46025559	ANTENNA TP/SI	1	EA
20	48200141	CAMERA BACK UP CLR BULLET (BRACKET 146079401)	1	EA
21	115028401	ENGINE BOX INSULATION 42002056X13.55X28.25	1	EA
22	115028402	ENGINE BOX INSULATION 42002056X14.28X31.29	1	EA
23	115028403	ENGINE BOX INSULATION 42002056X15.09X33.05	1	EA
24	115028404	ENGINE BOX INSULATION 42002056X21.25X30.59	1	EA
25	098005406	ENGINE BOX INSULATION 42002056X19.58X30.72	1	EA



ITEM #	PART #	DESCRIPTION	QTY.	UNIT
1	46023508	SWITCH ROCKER CAB DOME SPST ON-OFF	1	EA
2	46023603	SWITCH ROCKER FRONT LOAD DOME SPDT ON-ON	1	EA
3	46023605	SWITCH ROCKER DASH FAN SPDT ON-OFF-ON	1	EA
4	46022607	SWITCH TOGGLE 3WAY WITH LEADS	1	EA
5	89860301	BRACKET SWITCH MOUNTING AL .102X3.25X8.85	1	EA
6	46001365	LAMP MARKER LED AMBER	6	EA
7	46001366	LAMP MARKER LED AMBER	1	EA
8	46001367	LAMP MARKER LED RED	5	EA
9	46004443	GROMMET 4" BLACK	6	EA
10	46001448	LAMP BACK UP LED	2	EA
11	46002266	LAMP COMBO STOP/TURN/TAIL	4	EA
12	47009642	LAMP LICENSE PLATE BOX	1	EA
13	46002637	LAMP DOME RECESSED LED CAB	3	EA
14	100092400	BRACKET DOME LAMP AL .07X9X25	3	EA
15	47006065	RING TUBE STEEL 4IN ROUND FLANGE MTD	3	EA
16	48200090	MONITOR 7"	1	EA
17	48200095	CAMERA BACKUP	1	EA
18	48200143	BRACKET MOUNTING 4" MONITOR	1	EA
19	1111603	BULB BASE WEDGE 12V	2	EA
20	46003219	BULB LAMP 2 FILIMENT	2	EA
21	46023310	SWITCH WIPER INT SGL MTR	1	EA
22	000481201	LAMP INT WIPER (WITH CONNECTOR & LOOM - 46023310)	1	EA
23	46022030	CIRCUIT BREAKER 5AMP	2	EA
24	46027663	GEOTAB #UPS-GO7CDMAVZW	1	EA
25	46000206	HEADLAMP RECTANGLE ASSEMBLY (BRACKET ONLY - 46000210)	2	EA
26	46027653	LAMP P/T LED FRONT AMBER / (GROMMET OVAL BLACK 46027656)	2	EA
27	46025593	RADIO AM/FM/CD/WB	1	EA
28	46025590	SPEAKER 6.5 IN.	1	PR
29	46022608	CUP MOUNTING W/O TGL SW	1	EA
30	46030011	FAN DASH 2 SPEED 270CFM (GROMMET - 44000052)	1	EA
32	46026414	FLASHER TURN SIGNAL LED	1	EA



ITEM #	PART #	DESCRIPTION	QTY.	UNIT
1	46024526	SONAR SYSTEM KIT	1	EA
2	084092400	BRACKET BACKUP ALARM AL .102X7.95X15.7	1	EA
3	084092401	COVER SONAR AL .07X10.08X13.44	1	EA
4	1107324	GROMMET	2	EA
5	46004416	GROMMET	1	EA
6	46021115	CLIP BODY LARGE	1	EA
7				
8				

WIRING DIAGRAMS

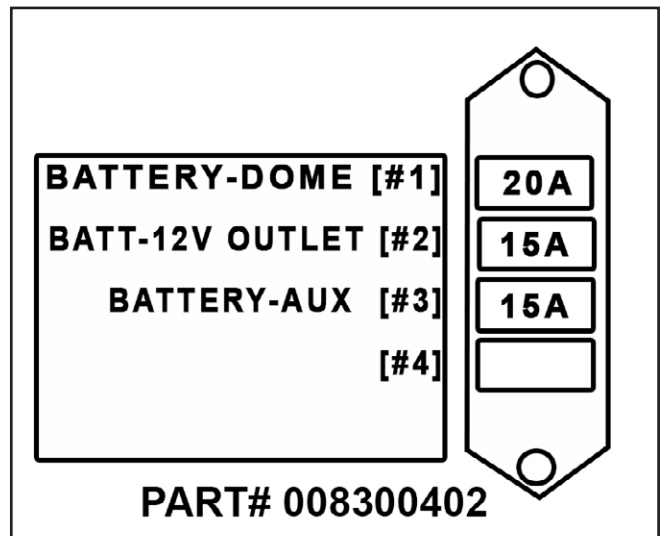
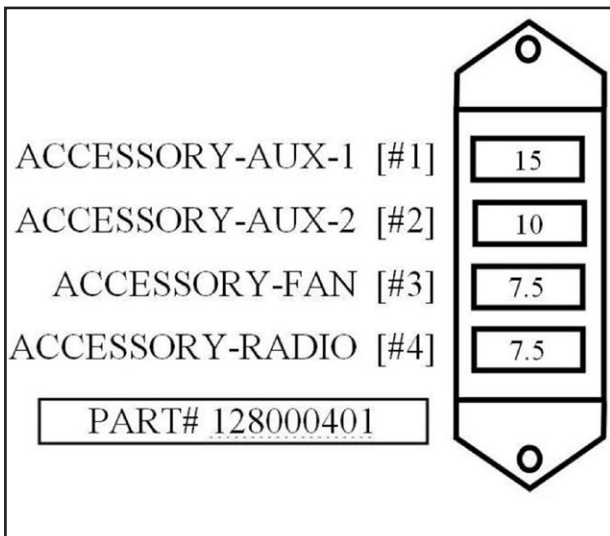
PART #	DESCRIPTION	QTY.	UNIT	PAGE #
48200113	CABLE CAMERA TO MONITOR	1	EA	32
128000401	LABEL FUSE BOX ROADSIDE	1	EA	32
008300402	LABEL FUSE BOX CURBSIDE	1	EA	32
46012048	HARNESS PIGTAIL BACKUP LAMPS	2	EA	32
007391210	HARNESS ROOF TO NOSE	1	EA	33-34
46025591	HARNESS SPEAKER WIRING	1	EA	35
88117510	HARNESS JUMPER REAR 3WAY SWITCH DOME LAMPS	1	EA	36
090087200	HARNESS REAR WIRING LH SILL	1	EA	37
090087202	HARNESS REAR WIRING RH SILL	1	EA	38
090093202	HARNESS JUMPER CARGO D/LP	1	EA	39
093093202	HARNESS ROOF 17/20FT/6INCH	1	EA	40-41
093093205	HARNESS TRANSOM CHMSL LAMP	1	EA	42
112079204	HARNESS RADIO PANEL LAMP	1	EA	43
115080201	HARNESS A/C LOW PRESS SW	1	EA	44
098084203	HARNESS INSTRUMENT PANEL	1	EA	45-48
115084202	HARNESS CMD CTR	1	EA	49-51
128084201	HARNESS FUSE CTR	1	EA	52
115085202	HARNESS HOOD WITH HORN	1	EA	53
115088201	HARNESS JUMPER I/P BLNT CUT	1	EA	54
115088202	HARNESS JUMPER I/P WIPER	1	EA	55
122079201	HARNESS MOD RADIO/MONITOR PWR/SPKR	1	EA	56-57
122079202	HARNESS MOD RADIO/MONITOR TRIGGER	1	EA	58
46025593	RADIO WIRING	1	EA	59



46012048 - PIGTAIL BACKUP LAMPS

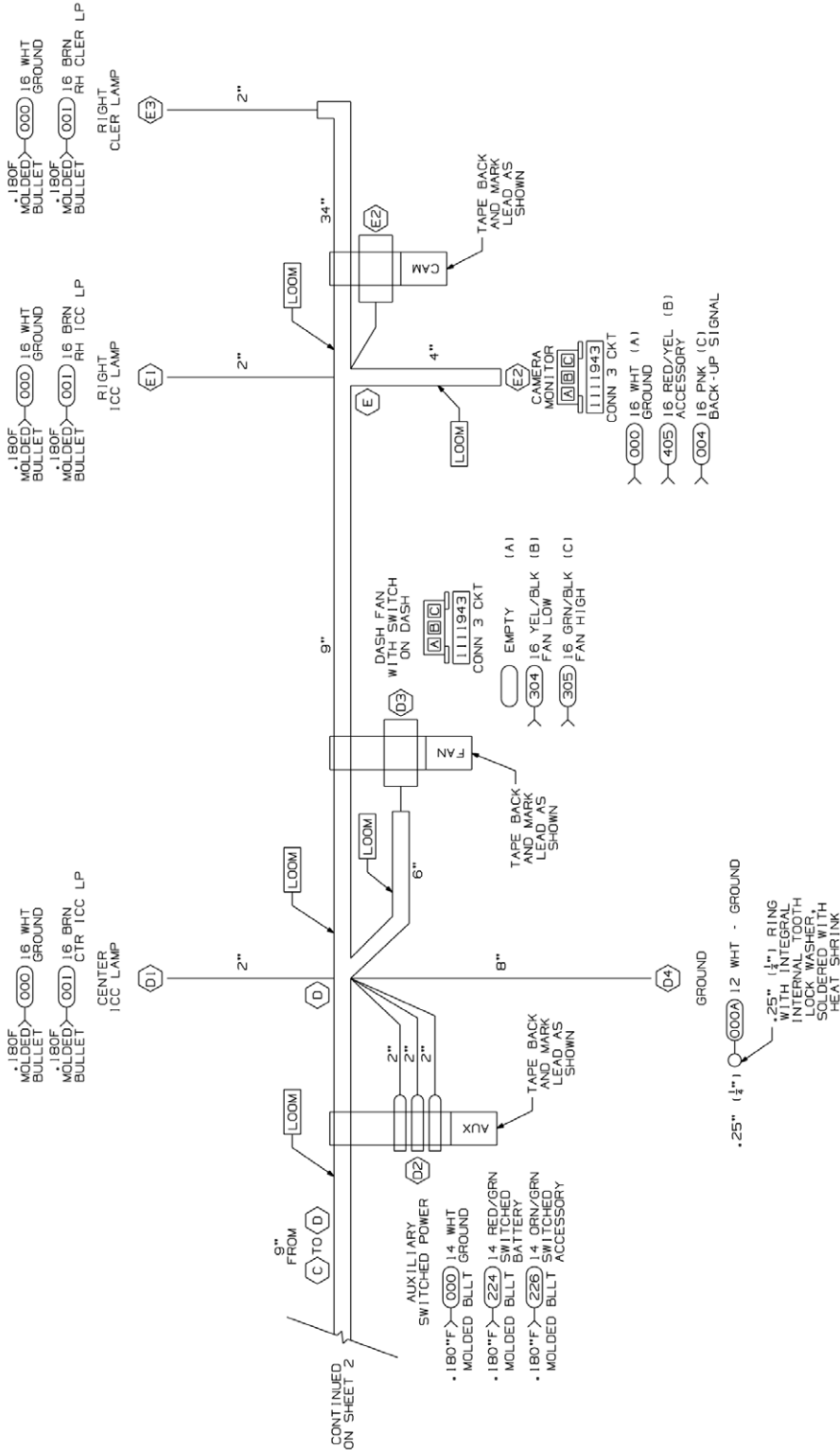


48200113 - CABLE CAMERA TO MONITOR



FUSE BOX LABELS

DRAWING NO.	REV.	SHT
007391210	A	1 of 2
DESCRIPTION	REV.	DATE
RELEASE FOR PRODUCTION		
REDRAWN & REVISED		



10. VENDOR TO GREASE FEMALE BULLET TERMINALS.
9. THIS IS A PURCHASED HARNESS. NO BILL OF MATERIAL EXISTS.
8. VENDOR MAY REPLACE WITH ANY WIRING TO APPROVED MOLDED BULLET CONNECTORS. PIGTAILS SHOWN IN TERMINAL VIEW.
7. HARNESS TO BE TESTED FOR CONTINUITY, SHORTS, AND CORRECTNESS.
6. CONNECTORS SHOWN FROM WIRE ENTRY SIDE, UNLESS OTHERWISE NOTED.
5. SPLICES TO BE AUTOMATED WITH SOLDER, AND ADHESIVE LINED HEAT SHRINK TUBING.
4. TAPE [1111098]: 6" AT BREAKOUTS, 2" AT 18" INTERVALS FOR UNINTERRUPTED LOOM LENGTHS GREATER THAN 24", AND 2" AT LOOM ENDS.
3. HARNESS TO HAVE A LABEL SHOWING MORGAN OLSON PART NUMBER, REVISION NUMBER, AND DATE OF MANUFACTURE.
2. SPLIT POLY LOOM UNLESS OTHERWISE NOTED.
1. GXL WIRE.

NOTES:

PROPRIETARY

This drawing is the property of Morgan Olson. It is to be used only for the purpose intended. It is not to be reproduced, copied, or transmitted in any form or by any means, electronic or mechanical, including photocopying, recording, or by any information storage and retrieval system, without the prior written consent of Morgan Olson.

MORGAN OLSON	
GENERAL STANDARD UNLESS OTHERWISE NOTED:	
1. UNLESS STATED OTHERWISE, ALL DIMENSIONS ARE IN INCHES.	2. UNLESS STATED OTHERWISE, ALL DIMENSIONS ARE IN MILLIMETERS.
3. DIMENSIONS ARE TO CENTER UNLESS OTHERWISE NOTED.	4. DIMENSIONS ARE TO CENTER UNLESS OTHERWISE NOTED.
DATE	TMC
20DEC07	07-1852
DATE	TMC
20DEC07	20DEC07
DO NOT SCALE	2008 SEED TRK
NAME	
HARN RODD NOSE	
2008 SEED TRUCK	
2P DYN PK WFR	
DRAWING NO.	SCALE
007391210	NONE
SHT	REV
1 of 2	A

HARNESS AND LOOM TOLERANCES

UP TO 60"	: -0/+2"
60" TO 100"	: -0/+4"
100" TO 200"	: -0/+5"
200" TO 400"	: -0/+6"
400" TO 600"	: -0/+7"
OVER 600"	: -0/+8"

BO TO BO : -0/+2"

LENGTHS APPLY FROM BREAKOUT TO WIRE ENTRY SIDE OF CONNECTOR, OR END OF COVER.

BASED ON 005391200

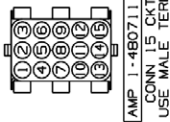
DRAWING NO.	REV	SHT
007391210	A	2 of 2
DESCRIPTION		
RELEASE FOR PRODUCTION		
REDRAWN & REVISED		

CIRCUIT	GA/COLOR	END POINTS	FUNCTION
109	16 GRN	A1,C2	WIPER PK SWITCH OUTPUT
224	14 RED/GRN	A1,D2	BATTERY - SWITCHED
226	14 ORN/GRN	A1,D2	ACCESSORY - SWITCHED
304	16 YEL/BLK	A1,D3	DASH FAN LOW
305	16 GRN/BLK	A1,D3	DASH FAN HIGH
405	16 RED/YEL	A1,E2	AUXILIARY ACCESSORY

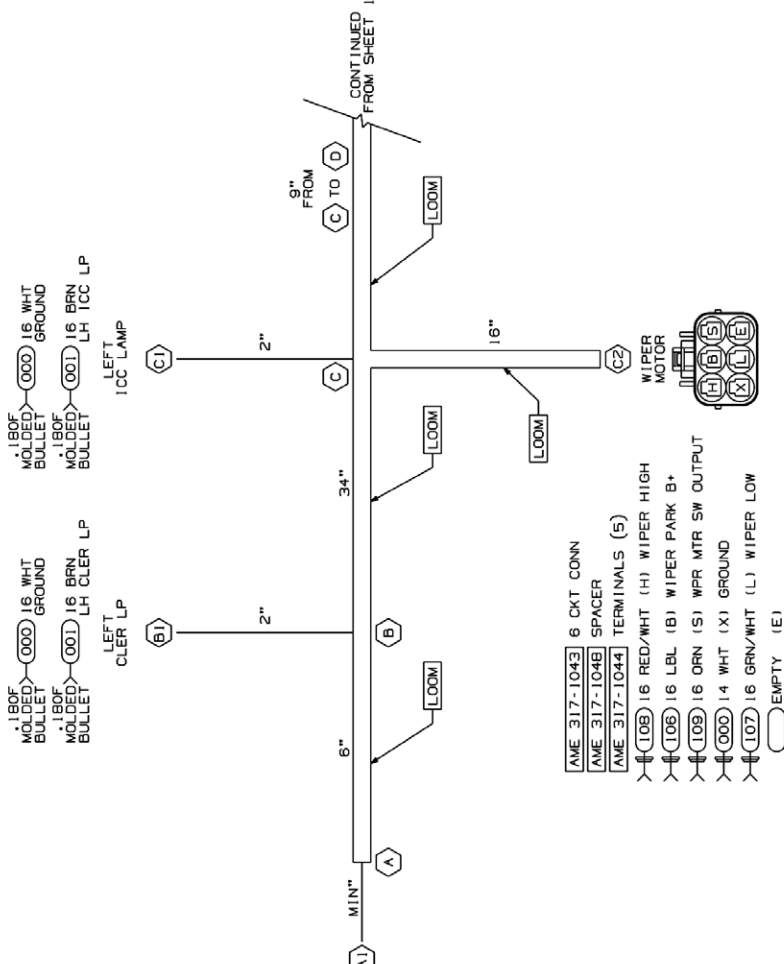
CIRCUIT	GA/COLOR	END POINTS	FUNCTION
000A	12 WHT	A1,D4 SPLICE 1	GROUND
000	14/16 WHT	B1,C1,C2,D1,D2,E1,E2,E3,SPLICE 1	GROUND
001	16 BRN	A1,B1,C1,D1,E1,E3	CLEARANCE/ICC LPS
004	16 PNK	A1,E2	BACK-UP SIGNAL
106	16 LBL	A1,C2	WIPER PARK SWITCH B+
107	16 GRN/WHT	A1,C2	WIPER LOW
108	16 RED/WHT	A1,C2	WIPER HIGH

[SPLICE 1]
000A 12 WHT IS TO BE
SPLICED TO THE
000 WHT CIRCUIT
VENDOR TO DETERMINE
LOCATION(S)

- ← 000A 12 WHT (1) GROUND
- ← 001 16 BRN (2) CLEARANCE/ICC LAMPS
- ← 004 16 PNK (3) BACK-UP SIGNAL
- ← 106 16 LBL (4) WIPER PARK SWITCH B+
- ← 107 16 GRN/WHT (6) WIPER LOW
- ← 108 16 RED/WHT (7) WIPER HIGH
- ← 109 16 ORN (9) WIPER PARK SW OUTPUT
- ← 224 14 RED/GRN (10) BATT (SW)
- ← 226 14 ORN/GRN (12) ACCY (SW)
- ← 304 16 YEL/BLK (13) FAN LOW
- ← 305 16 GRN/BLK (14) FAN HIGH
- ← 405 16 RED/YEL (15) ACCESSORY



TO L/P
HARNSE
AT TOP OF
DRIVERS
'A' POST



- AME 317-1043 8 CKT CONN
- AME 317-1048 SPACER
- AME 317-1044 TERMINALS (5)
- > 108 16 RED/WHT (H) WIPER HIGH
- > 106 16 LBL (B) WIPER PARK B+
- > 109 16 ORN (S) WPR MTR SW OUTPUT
- > 000 14 WHT (X) GROUND
- > 107 16 GRN/WHT (L) WIPER LOW
- EMPTY (E)

PROPRIETARY
This drawing is the property of Morgan Olson. It is to be used only for the vehicle and chassis for which it was prepared. It is not to be used for any other vehicle or chassis without the prior written consent of Morgan Olson.

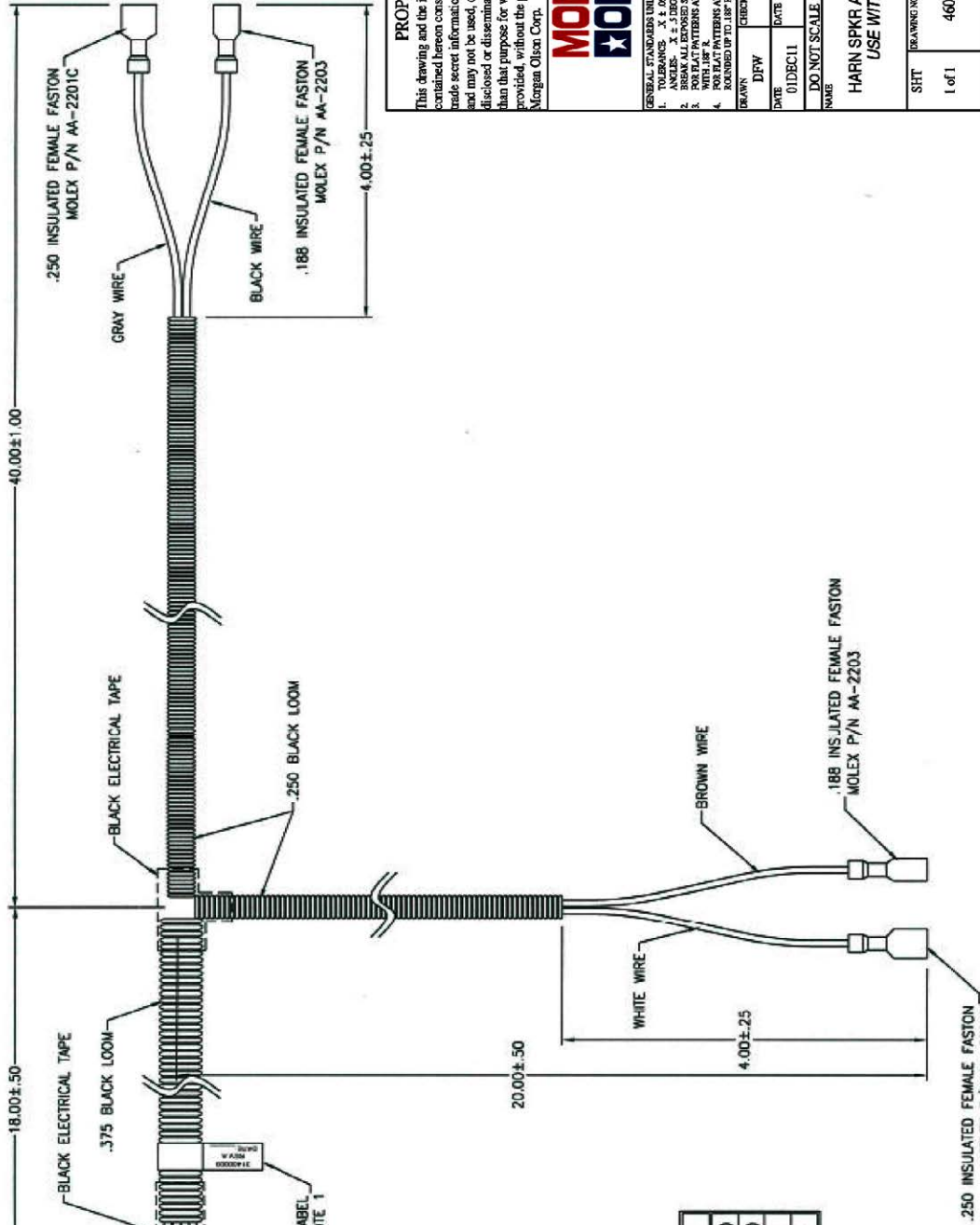
MORGAN OLSON

GENERAL STANDARDS UNLESS OTHERWISE NOTED:
1. DIMENSIONS ARE IN INCHES UNLESS OTHERWISE NOTED.
2. DIMENSIONS ARE TO CENTER UNLESS OTHERWISE NOTED.
3. DIMENSIONS ARE TO CENTER UNLESS OTHERWISE NOTED.
4. DIMENSIONS ARE TO CENTER UNLESS OTHERWISE NOTED.
5. DIMENSIONS ARE TO CENTER UNLESS OTHERWISE NOTED.

DATE: 20DEC07 TMC 07-1852
DATE: 20DEC07 TMC 07-1852
DO NOT SCALE 2008 SEED TRK
NAME: HARN ROOF NOSE 2008 SEED TRUCK 2P DYN PK WPR
SCALE: NONE
SHT: 2 of 2
DRAWING NO.: 007391210
REV: A

DESIGN REVISIONS

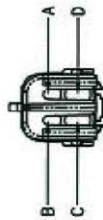
REV	DATE	REVISION HISTORY	ECO#
A	10/14/11	ORIGINAL	



- NOTES:**
- 1) LABEL TO HAVE PART NUMBER, REVISION, AND DATE.
 - 2) ALL WIRES TO BE 20 GAUGE

4-PIN FEMALE PACKARD CONNECTOR P/N 12015024
 PACKARD PINS P/N 12124582
 PACKARD SEAL P/N 12015323

PART NUMBER LABEL
 SEE NOTE 1



VIEW A-A
 INSERTION VIEW

PIN NO.	WIRE COLOR	DESCRIPTION
A	BLACK	RIGHT SPEAKER (-)
B	GRAY	RIGHT SPEAKER (+)
C	BROWN	LEFT SPEAKER (-)
D	WHITE	LEFT SPEAKER (+)

PROPRIETARY
 This drawing and the information and data contained herein constitutes valuable proprietary trade secret information of Morgan Olson Corp. and may not be used, duplicated or further disclosed or disseminated for any purpose other than that purpose for which it was originally provided, without the prior written consent of Morgan Olson Corp.



GENERAL STANDARDS UNLESS OTHERWISE NOTED:
 1. TOLERANCES: X ± .050 XX ± .001 XXX ± .010
 ANGLES: X ± .5 DEGREES
 2. DIMENSIONS: X ± .005
 3. POSITIVE PATTERNS ALL INSIDE DIMENSIONS MUST BE WITH .001 R
 4. DIMENSIONS IN PARENTHESES MAY BE EXCLUDED UP TO .001 INCH TO FACILITATE MANUFACTURING.

DRWING	CHECKED	RELEASED NO.	37156
DRAWN	DATE	DATE	01DEC11
DO NOT SCALE			

HARN SPKR AS4# MSCPKHRN
 USE WITH 46025590

SHEET	DRAWING NO.	SCALE	NONE
1 of 1	46025591	REV	

31400009

DESCRIPTION: HARNSS-4 PIN PACKARD TO FASTON SPEAKERS

DATE: 10/14/11

DESIGNED BY: J.HAMILTON

SCALE: N/A

CONFIDENTIAL: This drawing and the information contained within are the property of Morgan Olson Corp. and are not to be reproduced or distributed without the written authorization of MOLA.

2602 Mainline Drive
 Elkhart, IN 46514
ASelectronics
 THE WHOLE ELECTRONICS CHAIN (TM)

REV	DATE	BY	DESCRIPTION
1	10/14/11	JH	ORIGINAL

DOCUMENT REVISIONS

REV	DATE	BY	DESCRIPTION
1	10/14/11	JH	ORIGINAL

9. THIS IS A PURCHASED HARNESS. NO BILL OF MATERIAL EXISTS.
8. VENDOR MAY REPLACE PIGTAILS WITH WIRING TO APPROVED MOLDINGS OR CONNECTORS. PIGTAILS SHOWN IN TERMINAL VIEW.
7. HARNESS TO BE TESTED FOR CONTENT, OPENS, SHORTS, AND CONTINUITY.
6. CONNECTORS SHOWN FROM WIRE ENTRY SIDE, UNLESS OTHERWISE NOTED.
5. SPLICES TO BE AUTOMATED WITH SOLDER, AND ADHESIVE LINED HEAT SHRINK TUBING.
4. TAPE [11111096]: 6" AT BREAKOUTS AND 2" AT LOOM ENDS.
3. HARNESS TO HAVE A LABEL SHOWING MORGAN OLSON PART NUMBER, REVISION LEVEL, AND DATE OF MANUFACTURE.
2. SPLIT POLY LOOM UNLESS OTHERWISE NOTED.
1. GXL WIRE.

NOTES:

PROPRIETARY
 This drawing is the intellectual property of Morgan Olson. It is to be used for the production of the harness only. It is not to be reproduced, copied, or distributed in any form without the prior written consent of Morgan Olson.



GENERAL STANDARD UNLESS OTHERWISE NOTED

1. TOLERANCE	.01 ± .000	.02 ± .000	.05 ± .000	.10 ± .000
2. FINISH	ALL EDGES SHARP EDGES AND DEBRIS			
3. FOR PLATE PATTERNS	ALL INSIDE CORNERS MUST BE ROUNDED			
4. FOR PLATE PATTERNS	ALL OUTSIDE CORNERS MUST BE ROUNDED			
5. DIMENSIONS	UNLESS OTHERWISE SPECIFIED			
DATE	DFW	DFW	DFW	28369
DATE	21SEP09	21SEP09	21SEP09	21SEP09

DO NOT SCALE

NAME

JUMPER RR 3-WAY 2009 M-100 WITH LOOSE CONNECTOR, 38" DR

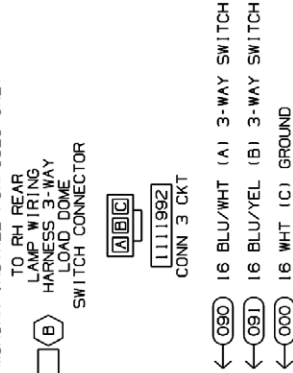
SHT	1	OF	1
DRAWING NO.	88117510		
SCALE	NONE		
REV			

HARNESS AND LOOM TOLERANCES

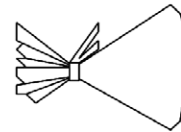
UP TO 60"	= -0/+2"
60" TO 100"	= -0/+4"
100" TO 200"	= -0/+5"
200" TO 400"	= -0/+6"
400" TO 600"	= -0/+7"
OVER 600"	= -0/+8"
BO TO BO	= -0/+2"

LENGTHS APPLY FROM BREAKOUT TO BREAKOUT, OR BREAKOUT TO WIRE ENTRY SIDE OF CONNECTOR, OR END OF COVER.

NOTE: CAVITY DESIGNATIONS FOR MORGAN INSTALL PURPOSES ONLY



DO NOT POPULATE CONNECTOR BODY, IN BUT RATHER, PLACE CONNECTOR BODY, IN BAG, AND ATTACH TO END OF HARNESS.



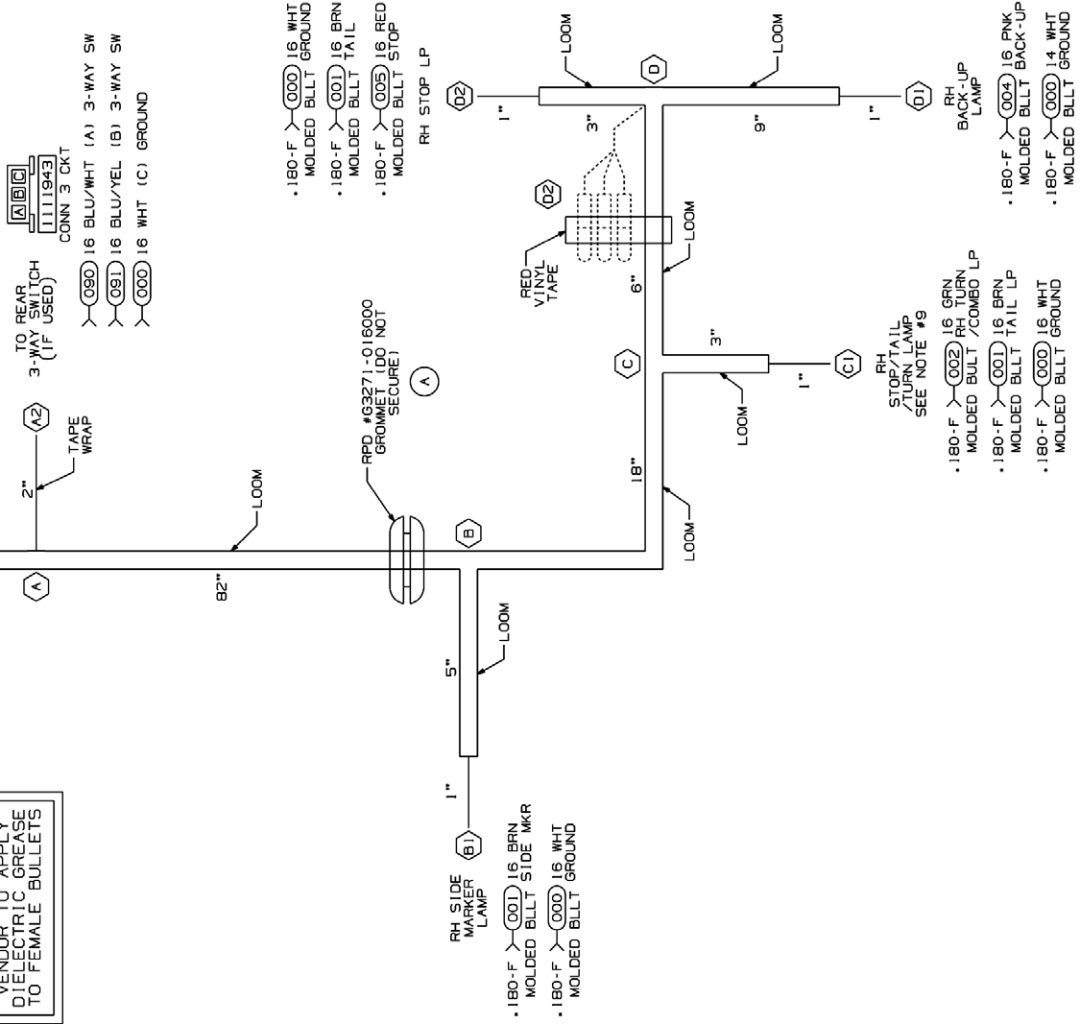
FIRST USE:
CV100619

DRAWING NO.	REV.	SHT
090087202	A	1 of 1
DESCRIPTION	DATE	BY
RELEASE FOR PRODUCTION		
ADDED GROMMET	DFW	08/08/09
BETWEEN "A" AND "B"		

CIRCUIT	DESCRIPTION	END POINTS	FUNCTION
000	14/16 WHT	A1, A2, B1, C1, D1, D2	GROUND
001	16 BRN	A1, B1, C1, D1, D2	TAIL/SIDE MARKER LPS
002	16 GRN	A1, C1	RH TURN/COMBO LP
004	16 PNK	A1, D1	BACK-UP LP
005	16 RED	A1, D2	ISO STOP LP
090	16 BLU/WHT	A1, A2	3-WAY SWITCH
091	16 BLU/YEL	A1, A2	3-WAY SWITCH

- ← (000) 14 WHT (A) GROUND
- ← (001) 16 BRN (B) TAIL LP/SIDE MKR
- ← (002) 16 GRN (C) RH TURN/COMBO LP
- ← () EMPTY (D)
- ← (004) 16 PNK (E) BACK-UP LP
- ← (005) 16 RED (F) STOP ONLY
- ← (090) 16 BLU/WHT (G) 3-WAY SW
- ← (091) 16 BLU/YEL (H) 3-WAY SW

VENDOR TO APPLY DIELECTRIC GREASE TO FEMALE BULLETS



9. WHEN ISOLATED STOP CIRCUIT (005) IS USED, CIRCUITS 002 AND 003 CAN REMAIN AS COMBINATION OR THEY CAN BECOME TURN ONLY BY UNPLUGGING THE BRAKE FEED INTO TURN SIGNAL SWITCH.
8. VENDOR MAY REPLACE PIGTAILS WITH WIRINGS TO APPROVED MOLDINGS OR CONNECTORS. PIGTAILS SHOWN IN TERMINAL VIEW. HARNESS TO BE TESTED FOR CONTENT, OPENS, SHORTS.
7. CONNECTORS SHOWN FROM WIRE ENTRY SIDE UNLESS OTHERWISE NOTED.
5. SPLICES TO BE AUTOMATED WITH SOLDER, AND ADHESIVE LINED HEAT SHRINK TUBING.
4. TAPE (1111096) 1/8" AT BREAKOUTS AND 2" AT LOOM ENDS.
3. HARNESS TO HAVE A LABEL SHOWING MORGAN OLSON PART NUMBER, REVISION NUMBER, AND DATE OF MANUFACTURE.
2. SPLIT POLY LOOM UNLESS OTHERWISE NOTED.
1. GXL WIRE.

NOTES:

PROPRIETARY

This drawing is the property of Morgan Olson. It is to be used only for the purpose intended. It is not to be reproduced, copied, or otherwise used without the prior written consent of Morgan Olson.

MORGAN OLSON	
GENERAL STANDARD UNLESS OTHERWISE NOTED	DATE
1. HARNESS 1, 2, 3, 4, 5, 6, 7, 8, 9, 10, 11, 12, 13, 14, 15, 16, 17, 18, 19, 20, 21, 22, 23, 24, 25, 26, 27, 28, 29, 30, 31, 32, 33, 34, 35, 36, 37, 38, 39, 40, 41, 42, 43, 44, 45, 46, 47, 48, 49, 50, 51, 52, 53, 54, 55, 56, 57, 58, 59, 60, 61, 62, 63, 64, 65, 66, 67, 68, 69, 70, 71, 72, 73, 74, 75, 76, 77, 78, 79, 80, 81, 82, 83, 84, 85, 86, 87, 88, 89, 90, 91, 92, 93, 94, 95, 96, 97, 98, 99, 100	DATE
2. FOR ALL PARTS, THE MANUFACTURE DATE MUST BE SHOWN	DATE
3. FOR ALL PARTS, THE MANUFACTURE DATE MUST BE SHOWN	DATE
4. FOR ALL PARTS, THE MANUFACTURE DATE MUST BE SHOWN	DATE
5. FOR ALL PARTS, THE MANUFACTURE DATE MUST BE SHOWN	DATE
6. FOR ALL PARTS, THE MANUFACTURE DATE MUST BE SHOWN	DATE
7. FOR ALL PARTS, THE MANUFACTURE DATE MUST BE SHOWN	DATE
8. FOR ALL PARTS, THE MANUFACTURE DATE MUST BE SHOWN	DATE
9. FOR ALL PARTS, THE MANUFACTURE DATE MUST BE SHOWN	DATE
10. FOR ALL PARTS, THE MANUFACTURE DATE MUST BE SHOWN	DATE
11. FOR ALL PARTS, THE MANUFACTURE DATE MUST BE SHOWN	DATE
12. FOR ALL PARTS, THE MANUFACTURE DATE MUST BE SHOWN	DATE
13. FOR ALL PARTS, THE MANUFACTURE DATE MUST BE SHOWN	DATE
14. FOR ALL PARTS, THE MANUFACTURE DATE MUST BE SHOWN	DATE
15. FOR ALL PARTS, THE MANUFACTURE DATE MUST BE SHOWN	DATE
16. FOR ALL PARTS, THE MANUFACTURE DATE MUST BE SHOWN	DATE
17. FOR ALL PARTS, THE MANUFACTURE DATE MUST BE SHOWN	DATE
18. FOR ALL PARTS, THE MANUFACTURE DATE MUST BE SHOWN	DATE
19. FOR ALL PARTS, THE MANUFACTURE DATE MUST BE SHOWN	DATE
20. FOR ALL PARTS, THE MANUFACTURE DATE MUST BE SHOWN	DATE
21. FOR ALL PARTS, THE MANUFACTURE DATE MUST BE SHOWN	DATE
22. FOR ALL PARTS, THE MANUFACTURE DATE MUST BE SHOWN	DATE
23. FOR ALL PARTS, THE MANUFACTURE DATE MUST BE SHOWN	DATE
24. FOR ALL PARTS, THE MANUFACTURE DATE MUST BE SHOWN	DATE
25. FOR ALL PARTS, THE MANUFACTURE DATE MUST BE SHOWN	DATE
26. FOR ALL PARTS, THE MANUFACTURE DATE MUST BE SHOWN	DATE
27. FOR ALL PARTS, THE MANUFACTURE DATE MUST BE SHOWN	DATE
28. FOR ALL PARTS, THE MANUFACTURE DATE MUST BE SHOWN	DATE
29. FOR ALL PARTS, THE MANUFACTURE DATE MUST BE SHOWN	DATE
30. FOR ALL PARTS, THE MANUFACTURE DATE MUST BE SHOWN	DATE
31. FOR ALL PARTS, THE MANUFACTURE DATE MUST BE SHOWN	DATE
32. FOR ALL PARTS, THE MANUFACTURE DATE MUST BE SHOWN	DATE
33. FOR ALL PARTS, THE MANUFACTURE DATE MUST BE SHOWN	DATE
34. FOR ALL PARTS, THE MANUFACTURE DATE MUST BE SHOWN	DATE
35. FOR ALL PARTS, THE MANUFACTURE DATE MUST BE SHOWN	DATE
36. FOR ALL PARTS, THE MANUFACTURE DATE MUST BE SHOWN	DATE
37. FOR ALL PARTS, THE MANUFACTURE DATE MUST BE SHOWN	DATE
38. FOR ALL PARTS, THE MANUFACTURE DATE MUST BE SHOWN	DATE
39. FOR ALL PARTS, THE MANUFACTURE DATE MUST BE SHOWN	DATE
40. FOR ALL PARTS, THE MANUFACTURE DATE MUST BE SHOWN	DATE
41. FOR ALL PARTS, THE MANUFACTURE DATE MUST BE SHOWN	DATE
42. FOR ALL PARTS, THE MANUFACTURE DATE MUST BE SHOWN	DATE
43. FOR ALL PARTS, THE MANUFACTURE DATE MUST BE SHOWN	DATE
44. FOR ALL PARTS, THE MANUFACTURE DATE MUST BE SHOWN	DATE
45. FOR ALL PARTS, THE MANUFACTURE DATE MUST BE SHOWN	DATE
46. FOR ALL PARTS, THE MANUFACTURE DATE MUST BE SHOWN	DATE
47. FOR ALL PARTS, THE MANUFACTURE DATE MUST BE SHOWN	DATE
48. FOR ALL PARTS, THE MANUFACTURE DATE MUST BE SHOWN	DATE
49. FOR ALL PARTS, THE MANUFACTURE DATE MUST BE SHOWN	DATE
50. FOR ALL PARTS, THE MANUFACTURE DATE MUST BE SHOWN	DATE
51. FOR ALL PARTS, THE MANUFACTURE DATE MUST BE SHOWN	DATE
52. FOR ALL PARTS, THE MANUFACTURE DATE MUST BE SHOWN	DATE
53. FOR ALL PARTS, THE MANUFACTURE DATE MUST BE SHOWN	DATE
54. FOR ALL PARTS, THE MANUFACTURE DATE MUST BE SHOWN	DATE
55. FOR ALL PARTS, THE MANUFACTURE DATE MUST BE SHOWN	DATE
56. FOR ALL PARTS, THE MANUFACTURE DATE MUST BE SHOWN	DATE
57. FOR ALL PARTS, THE MANUFACTURE DATE MUST BE SHOWN	DATE
58. FOR ALL PARTS, THE MANUFACTURE DATE MUST BE SHOWN	DATE
59. FOR ALL PARTS, THE MANUFACTURE DATE MUST BE SHOWN	DATE
60. FOR ALL PARTS, THE MANUFACTURE DATE MUST BE SHOWN	DATE
61. FOR ALL PARTS, THE MANUFACTURE DATE MUST BE SHOWN	DATE
62. FOR ALL PARTS, THE MANUFACTURE DATE MUST BE SHOWN	DATE
63. FOR ALL PARTS, THE MANUFACTURE DATE MUST BE SHOWN	DATE
64. FOR ALL PARTS, THE MANUFACTURE DATE MUST BE SHOWN	DATE
65. FOR ALL PARTS, THE MANUFACTURE DATE MUST BE SHOWN	DATE
66. FOR ALL PARTS, THE MANUFACTURE DATE MUST BE SHOWN	DATE
67. FOR ALL PARTS, THE MANUFACTURE DATE MUST BE SHOWN	DATE
68. FOR ALL PARTS, THE MANUFACTURE DATE MUST BE SHOWN	DATE
69. FOR ALL PARTS, THE MANUFACTURE DATE MUST BE SHOWN	DATE
70. FOR ALL PARTS, THE MANUFACTURE DATE MUST BE SHOWN	DATE
71. FOR ALL PARTS, THE MANUFACTURE DATE MUST BE SHOWN	DATE
72. FOR ALL PARTS, THE MANUFACTURE DATE MUST BE SHOWN	DATE
73. FOR ALL PARTS, THE MANUFACTURE DATE MUST BE SHOWN	DATE
74. FOR ALL PARTS, THE MANUFACTURE DATE MUST BE SHOWN	DATE
75. FOR ALL PARTS, THE MANUFACTURE DATE MUST BE SHOWN	DATE
76. FOR ALL PARTS, THE MANUFACTURE DATE MUST BE SHOWN	DATE
77. FOR ALL PARTS, THE MANUFACTURE DATE MUST BE SHOWN	DATE
78. FOR ALL PARTS, THE MANUFACTURE DATE MUST BE SHOWN	DATE
79. FOR ALL PARTS, THE MANUFACTURE DATE MUST BE SHOWN	DATE
80. FOR ALL PARTS, THE MANUFACTURE DATE MUST BE SHOWN	DATE
81. FOR ALL PARTS, THE MANUFACTURE DATE MUST BE SHOWN	DATE
82. FOR ALL PARTS, THE MANUFACTURE DATE MUST BE SHOWN	DATE
83. FOR ALL PARTS, THE MANUFACTURE DATE MUST BE SHOWN	DATE
84. FOR ALL PARTS, THE MANUFACTURE DATE MUST BE SHOWN	DATE
85. FOR ALL PARTS, THE MANUFACTURE DATE MUST BE SHOWN	DATE
86. FOR ALL PARTS, THE MANUFACTURE DATE MUST BE SHOWN	DATE
87. FOR ALL PARTS, THE MANUFACTURE DATE MUST BE SHOWN	DATE
88. FOR ALL PARTS, THE MANUFACTURE DATE MUST BE SHOWN	DATE
89. FOR ALL PARTS, THE MANUFACTURE DATE MUST BE SHOWN	DATE
90. FOR ALL PARTS, THE MANUFACTURE DATE MUST BE SHOWN	DATE
91. FOR ALL PARTS, THE MANUFACTURE DATE MUST BE SHOWN	DATE
92. FOR ALL PARTS, THE MANUFACTURE DATE MUST BE SHOWN	DATE
93. FOR ALL PARTS, THE MANUFACTURE DATE MUST BE SHOWN	DATE
94. FOR ALL PARTS, THE MANUFACTURE DATE MUST BE SHOWN	DATE
95. FOR ALL PARTS, THE MANUFACTURE DATE MUST BE SHOWN	DATE
96. FOR ALL PARTS, THE MANUFACTURE DATE MUST BE SHOWN	DATE
97. FOR ALL PARTS, THE MANUFACTURE DATE MUST BE SHOWN	DATE
98. FOR ALL PARTS, THE MANUFACTURE DATE MUST BE SHOWN	DATE
99. FOR ALL PARTS, THE MANUFACTURE DATE MUST BE SHOWN	DATE
100. FOR ALL PARTS, THE MANUFACTURE DATE MUST BE SHOWN	DATE

FIRST USE:
CV100615
BASED ON:
090087201

HARNESS AND LOOM TOLERANCES

UP TO 60" : -0/+2"
60" TO 100" : -0/+4"
100" TO 200" : -0/+5"
200" TO 400" : -0/+6"
400" TO 600" : -0/+7"
OVER 600" : -0/+8"

BO TO BO : -0/+2"
LENGHTS APPLY FROM BREAKOUT TO BREAKOUT OR BREAKOUT TO WIRE ENTRY SIDE OF CONNECTOR.

DRAWING NO.	REV	SHT	OF
090093202	A	1	1
DESCRIPTION			
RELEASE FOR PRODUCTION			
A	80" WAS 64"	MTS	CONGR
		DIAGRAM	



- .180"F (000) 16 WHT - GROUND
MOLDED BULLET
- .180"F (007) 16 ORN - DM LP
MOLDED BULLET
- .180"M (000) 16 WHT - GROUND
MOLDED BULLET
- .180"M (007) 16 ORN - DM LP
MOLDED BULLET

FEMALE BULLET TERMINALS TO BE GREASED

- THIS IS A PURCHASED HARNESS. NO BILL OF MATERIAL EXISTS.
- VENDOR MAY REPLACE PIGTAILS WITH WIRING TO APPROVED MOLDINGS OR CONNECTORS. PIGTAILS SHOWN IN TERMINAL VIEW.
- HARNESS TO BE TESTED FOR CONTENT OPENS, SHORTS, AND CONTINUITY.
- CONNECTORS SHOWN FROM WIRE ENTRY SIDE, UNLESS OTHERWISE NOTED.
- SPLICES TO BE AUTOMATED WITH SOLDER, AND ADHESIVE LINED HEAT SHRINK TUBING.
- TAPE [1111096]: 6" AT BREAKOUTS, 2" AT 18" INTERVALS LENGTH GREATER THAN 24", AND 2" AT LOOM ENDS.
- HARNESS TO HAVE A LABEL PART NUMBER, REVISON LEVEL, AND DATE OF MANUFACTURE.
- SPLIT PLY LOOM UNLESS OTHERWISE NOTED.
- GXL WIRE.

NOTES:

PROPRIETARY

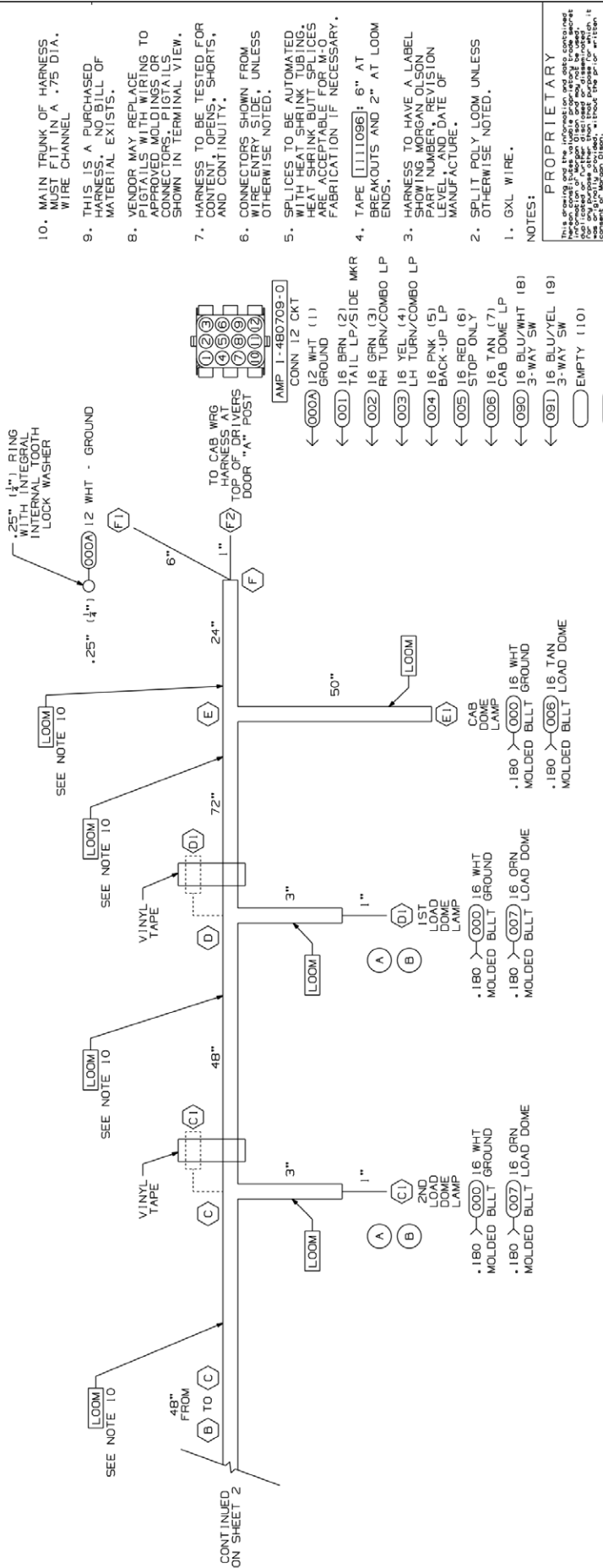
This drawing is the property of Morgan Olson. It is to be used for the production of the harness only. It is not to be used for any other purpose. All rights reserved. Morgan Olson is not responsible for any damage or loss of data resulting from the use of this drawing.

MORGAN OLSON	
GENERAL STANDARDS UNLESS OTHERWISE NOTED:	
1. WIRE: GXL UNLESS OTHERWISE NOTED.	2. WIRE SIZE: 18 AWG UNLESS OTHERWISE NOTED.
3. WIRE COLOR: AS SHOWN UNLESS OTHERWISE NOTED.	4. WIRE LENGTH: AS SHOWN UNLESS OTHERWISE NOTED.
5. WIRE ENTRY: UP TO 180° UNLESS OTHERWISE NOTED.	6. WIRE ENTRY: DOWN TO 180° UNLESS OTHERWISE NOTED.
DATE: 26OCT09	DATE: 28B16
DO NOT SCALE	DO NOT SCALE
HARN JPR CRG D/LP GEN .180BULL1	
SHT 1 OF 1	SCALE NONE
DRAWING NO. 090093202	REV A

HARNESS AND LOOM TOLERANCES
UP TO 60" = -0/+2"
60" TO 100" = -0/+4"
100" TO 200" = -0/+5"
200" TO 400" = -0/+6"
400" TO 600" = -0/+7"
OVER 600" = -0/+8"
BO TO BO = -0/+2"
LENGTHS APPLY FROM BULLET TO BULLET OR BREAKOUT TO WIRE ENTRY SIDE OF CONNECTOR, OR END OF COVER.

FIRST USE:
CV100632
BASED ON:
007366326

DRAWING NO.	REV.	SHT
093093202	B	1 of 2
DESCRIPTION	REV. TO	DATE
RELEASE TO PRODUCTION	OK.	
A REVISED DOME LAMP	L.M.	2/7/82
B REV'D DM LP B/O'S	D.F.W.	2/24/82
	REV'D	2/24/82
	REV'D	2/24/82
	REV'D	2/24/82



PROPRIETARY	
THIS DRAWING IS THE PROPERTY OF MORGAN OLSON. IT IS TO BE USED ONLY FOR THE PURPOSES SPECIFIED HEREIN. IT IS NOT TO BE REPRODUCED, COPIED, OR TRANSMITTED IN ANY FORM OR BY ANY MEANS, ELECTRONIC OR MECHANICAL, INCLUDING PHOTOCOPYING, RECORDING, OR BY ANY INFORMATION STORAGE AND RETRIEVAL SYSTEM. WITHOUT THE WRITTEN PERMISSION OF MORGAN OLSON, ALL RIGHTS ARE RESERVED.	
MORGAN OLSON	
GENERAL STANDARD UNLESS OTHERWISE NOTED:	
1. DIMENSIONS ARE IN INCHES UNLESS OTHERWISE SPECIFIED.	2. DIMENSIONS ARE IN MILLIMETERS UNLESS OTHERWISE SPECIFIED.
3. DIMENSIONS ARE IN MILLIMETERS UNLESS OTHERWISE SPECIFIED.	4. DIMENSIONS ARE IN MILLIMETERS UNLESS OTHERWISE SPECIFIED.
DATE	DATE
1-4-APR89	07-18-89
DO NOT SCALE	2BDEC07
NAME	
HARN ROOF 17' 20' 6"	
M100 TRUCK .180F BLTT	
SHT	SCALE
1 of 2	NONE
DRAWING NO.	REV.
093093202	B

- 1. OXL WIRE.
 - 2. SPLIT POLY LOOM UNLESS OTHERWISE NOTED.
 - 3. HARNES TO HAVE A LABEL SHOWING MORGAN OLSON PART NUMBER, REVISION NUMBER, AND DATE OF MANUFACTURE.
 - 4. TAPE (1111066) 6" AT BREAKOUTS AND 2" AT LOOM ENDS.
 - 5. SPLICES TO BE AUTOMATED WITH HEAT SHRINK TUBING. HEAT SHRINK BUTT SPLICES ARE ACCEPTABLE FOR M-O FABRICATION IF NECESSARY.
 - 6. CONNECTORS SHOWN FROM WIRE ENTRY SIDE, UNLESS OTHERWISE NOTED.
 - 7. HARNES TO BE TESTED FOR CONTENT OPEN'S, SHORT'S, AND CONTINUITY.
 - 8. VENDOR MAY REPLACE PIGTAILS WITH WIRING TO APPROVED MOLDINGS OR CONNECTORS. PIGTAILS SHOWN IN TERMINAL VIEW.
 - 9. THIS IS A PURCHASED HARNES. NO BILL OF MATERIAL EXISTS.
 - 10. MAIN TRUNK OF HARNES MUST FIT IN A .75 DIA. WIRE CHANNEL.
- TOLERANCES**
- UP TO 60" : -0/+2"
 - 60" TO 100" : -0/+4"
 - 100" TO 200" : -0/+5"
 - 200" TO 400" : -0/+6"
 - 400" TO 600" : -0/+7"
 - OVER 600" : -0/+8"
 - BO TO BO : -0/+8"
- TOLERANCE IS NOT ACCUMULATIVE. LENGTH APPLIES TO OVERALL HARNES LENGTH, PREPUB TO END, BR LOOM.**
- HARNES AND LOOM TOLERANCES**
- (000A) 12 WHT (1) GROUND
 - (001) 16 BRN (2) TAIL LP/SIDE MKR
 - (002) 16 GRN (3) RH TURN/COMBO LP
 - (003) 16 YEL (4) LH TURN/COMBO LP
 - (004) 16 PNK (5) BACK-UP LP
 - (005) 16 RED (6) STOP ONLY
 - (006) 16 TAN (7) CAB DOME LP
 - (008) 16 BLU/WHT (8) 3-WAY SW
 - (009) 16 BLU/YEL (9) 3-WAY SW
 - () EMPTY (110)
 - () EMPTY (112)
 - (007) 14 DRANGE (111) LOAD DOME LP
 - () EMPTY (112)
- COMPONENTS:**
- (A) 1ST LOAD DOME LAMP
 - (B) 2ND LOAD DOME LAMP
 - (C) 16 WHT MOLDED BLTT GROUND
 - (D) 16 WHT MOLDED BLTT GROUND
 - (E) 16 WHT MOLDED BLTT GROUND
 - (F) 16 TAN MOLDED BLTT LOAD DOME
 - (G) 16 WHT MOLDED BLTT GROUND
 - (H) 16 ORN MOLDED BLTT LOAD DOME
 - (I) 16 WHT MOLDED BLTT GROUND
 - (J) 16 ORN MOLDED BLTT LOAD DOME
 - (K) 16 WHT MOLDED BLTT GROUND
 - (L) 16 ORN MOLDED BLTT LOAD DOME
 - (M) 16 WHT MOLDED BLTT GROUND
 - (N) 16 ORN MOLDED BLTT LOAD DOME
 - (O) 16 WHT MOLDED BLTT GROUND
 - (P) 16 ORN MOLDED BLTT LOAD DOME
 - (Q) 16 WHT MOLDED BLTT GROUND
 - (R) 16 ORN MOLDED BLTT LOAD DOME
 - (S) 16 WHT MOLDED BLTT GROUND
 - (T) 16 ORN MOLDED BLTT LOAD DOME
 - (U) 16 WHT MOLDED BLTT GROUND
 - (V) 16 ORN MOLDED BLTT LOAD DOME
 - (W) 16 WHT MOLDED BLTT GROUND
 - (X) 16 ORN MOLDED BLTT LOAD DOME
 - (Y) 16 WHT MOLDED BLTT GROUND
 - (Z) 16 ORN MOLDED BLTT LOAD DOME

DRAWING NO.	REV.	SHT
093093202	B	2 of 2
DESCRIPTION	DATE	BY
RELEASE TO PRODUCTION		
A REVISED DOME LAMP BREAKOUT LENGTH	11/27/02	J.M.
B REV'D DM LP B/O'S	02/19/03	D.W.

SPLICE 1
 000A 1/2 WHT IS TO BE
 SPLICED TO THE
 000 WHT CIRCUIT.
 VENDOR TO DETERMINE
 LOCATION(S)

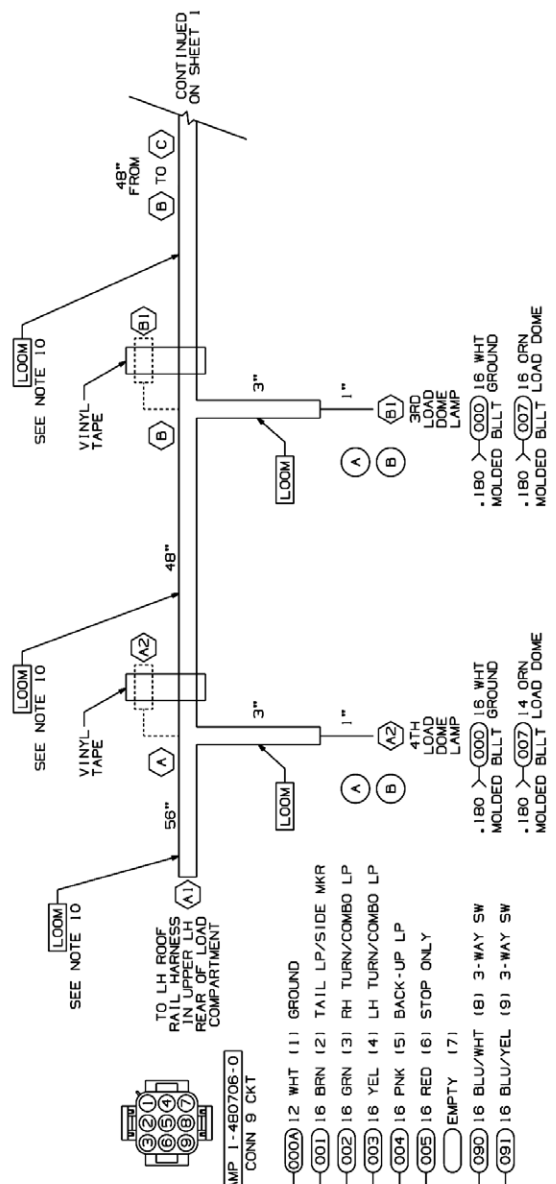
CIRCUIT	DESCRIPTION	END POINTS	FUNCTION
000A	1/2 WHT	A1, F1, F2, SPLICE 1	GROUND
000	14/16 WHT	A2, B1, C1, D1, E1, SPLICE 1	GROUND
001	16 BRN	A1, F2	CLERK/TCC LPS
002	16 GRN	A1, F2	RH TURN LP
003	16 YEL	A1, F2	LH TURN LP
004	16 PNK	A1, F2	BACK-UP LPS
005	16 RED	A1, F2	STOP LPS
006	16 TAN	E1, F2	CAB DOME LP
007	14/16 ORN	A2, B1, C1, D1, F2	LOAD DOME LAMPS
090	16 BLU/WHT	A1, F2	3-WAY SWITCH - LOAD DMS
091	16 BLU/YEL	A1, F2	3-WAY SWITCH - LOAD DMS

10. MAIN TRUNK OF HARNESS MUST FIT IN A .75 DIA. WIRE CHANNEL
9. THIS IS A PURCHASED HARNESS. NO BILL OF MATERIAL EXISTS.
8. VENDOR MAY REPLACE PIGTAILS WITH WIRING TO APPROVED MOLDINGS OR CONNECTORS. PIGTAILS SHOWN IN TERMINAL VIEW.
7. HARNESS TO BE TESTED FOR CONTACT OPEN'S, SHORTS, AND CONTINUITY.
6. CONNECTORS SHOWN FROM WIRE ENTRY SIDE, UNLESS OTHERWISE NOTED.
5. SPLICES TO BE AUTOMATED WITH HEAT SHRINK TUBING. HEAT SHRINK BUTT SPLICES ARE ACCEPTABLE FOR M-CO FABRICATION IF NECESSARY.
4. TAPE [1111096] 6" AT BREAKOUTS AND 2" AT LOOM ENDS.
3. HARNESS TO HAVE A LABEL SHOWING MORGAN OLSON PART NUMBER, REVISION NUMBER AND DATE OF MANUFACTURE.
2. SPLIT POLY LOOM UNLESS OTHERWISE NOTED.
1. GXL WIRE.

NOTES:
 PROPRIETARY
 This drawing is the property of Morgan Olson. It is to be used only for the purpose intended. It is not to be reproduced, stored in a retrieval system, or transmitted in any form or by any means, electronic, mechanical, photocopying, recording, or by any information storage and retrieval system, without the prior written permission of Morgan Olson.

MORGAN OLSON	
GENERAL STANDARD UNLESS OTHERWISE NOTED	REV. 1, 000
1. UNLESS NOTED OTHERWISE, ALL DIMENSIONS ARE IN INCHES.	REV. 2, 000
2. DIMENSIONS IN PARENTHESES ARE FOR INFORMATION ONLY.	REV. 3, 000
3. DIMENSIONS IN PARENTHESES ARE FOR INFORMATION ONLY.	REV. 4, 000
4. DIMENSIONS IN PARENTHESES ARE FOR INFORMATION ONLY.	REV. 5, 000
DATE	DATE
14APR03	14APR03
DO NOT SCALE	
NAME	
HARN ROOF 17'-20'-6"	
M100 TRUCK .180G BLTT	
DRAWING NO.	SCALE
093093202	NONE
SHT	REV
2 of 2	B

HARNESS AND LOOM TOLERANCES
 UP TO 60" : -0/+2"
 60" TO 100" : -0/+4"
 100" TO 200" : -0/+5"
 200" TO 400" : -0/+6"
 400" TO 600" : -0/+7"
 OVER 600" : -0/+8"
 BO TO BO : -0/+2"
 TOLERANCE IS NOT ACCUMULATIVE. LENGTH APPLIES TO OVERALL HARNESS LENGTH, BREAKOUT TO END, OR LOOM.



DRAWING NO.	REV	SHT
093093205	B	1 of 1
REV.	DESCRIPTION	BY
A	RELEASE TO PRODUCTION	OK
B	REDRAWN & REVISED	DATE
C	ADDED SERIAL 002 TO CONNECTOR AT H2	DATE
D	ADDED SERIAL 002 TO CONNECTOR AT H2	DATE

SPLICE 1
 000A 12 WHT IS TO BE SPLICED TO THE 000 WHT CIRCUIT. VENDOR TO DETERMINE LOCATION(S)

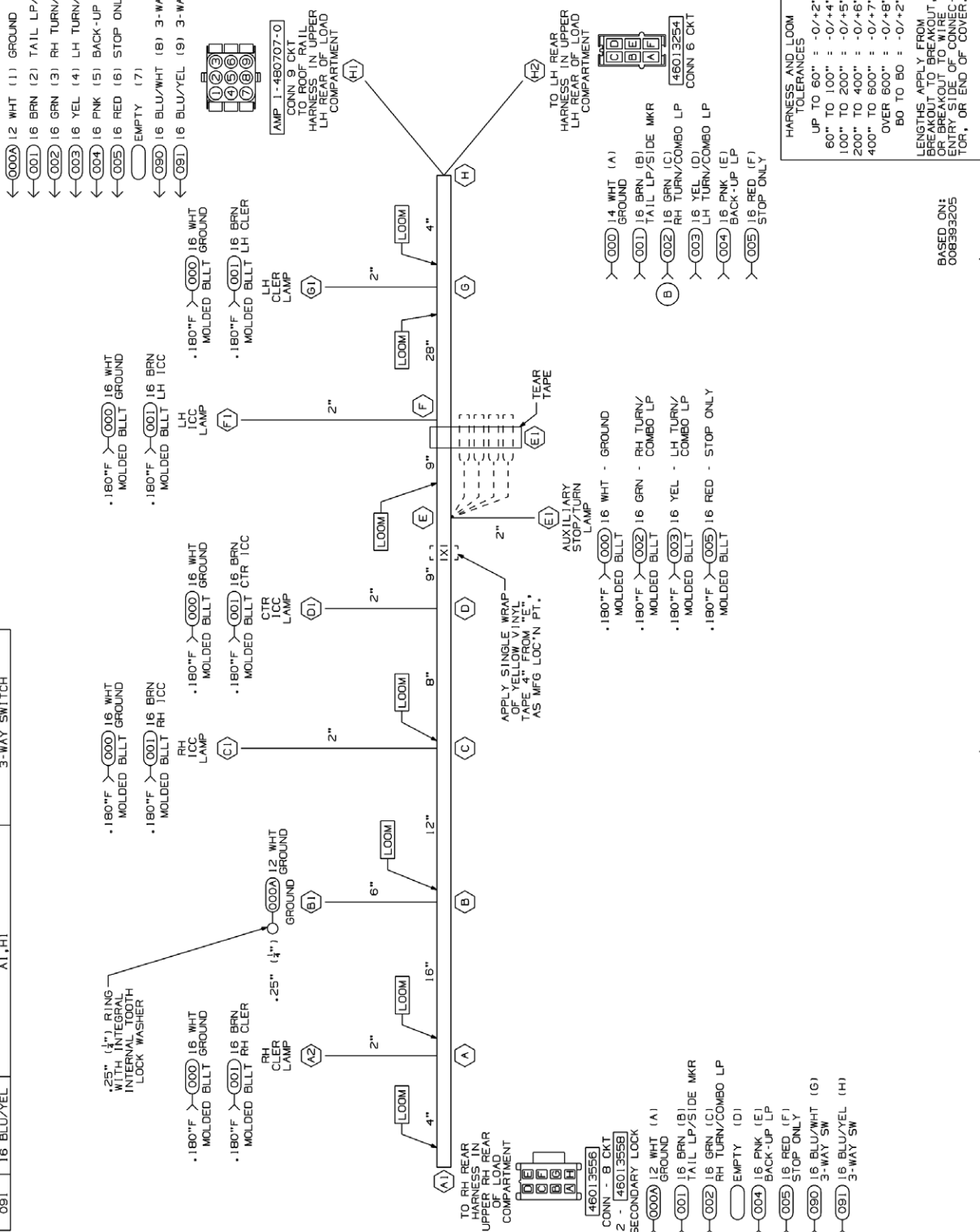
CIRCUIT DESCRIPTION	END POINTS	FUNCTION
000A 12 WHT	A1, B1, H1, SPLICE 1	GROUND
000 14/16 WHT	A2, C1, D1, E1, F1, G1, H2, SPLICE 1	GROUND
001 16 BRN	A1, A2, C1, D1, F1, G1, H1, H2	CLER/ICC/MARKER LAMPS
002 16 GRN	A1, E1, H1, H2	RH TURN/COMBO LP
003 16 YEL	E1, H1, H2	LH TURN/COMBO LP
004 16 PNK	A1, H1, H2	BACK-UP LAMPS
005 16 RED	A1, E1, H1, H2	STOP ONLY LAMPS
090 16 BLU/WHT	A1, H1	3-WAY SWITCH
091 16 BLU/YEL	A1, H1	3-WAY SWITCH

- ← 000A 12 WHT (1) GROUND
- ← 001 16 BRN (2) TAIL LP/SIDE MKR
- ← 002 16 GRN (3) RH TURN/COMBO LP
- ← 003 16 YEL (4) LH TURN/COMBO LP
- ← 004 16 PNK (5) BACK-UP LP
- ← 005 16 RED (6) STOP ONLY
- ← 000 EMPTY (7)
- ← 090 16 BLU/WHT (8) 3-WAY SW
- ← 091 16 BLU/YEL (9) 3-WAY SW

10. VENDOR TO GREASE FEMALE BULLET TERMINALS.
9. THIS IS A PURCHASED HARNESS. NO BILL OF MATERIAL EXISTS.
8. VENDOR MAY REPLACE PIGTAILS WITH WIRING TO APPROVED MOLDINGS OR CONNECTORS. PIGTAILS SHOWN IN TERMINAL VIEW.
7. HARNESS TO BE TESTED FOR CONTENT, OPENS, SHORTS, AND CONTINUITY.
6. CONNECTORS SHOWN FROM WIRE ENTRY SIDE, UNLESS OTHERWISE NOTED.
5. SPLICES TO BE AUTOMATED WITH SOLDER, AND ADHESIVE LINED HEAT SHRINK TUBING.
4. TAPE [J111096], 6" AT BREAKOUTS AND 2" AT LOOM ENDS.
3. HARNESS TO HAVE A LABEL SHOWING MORGAN OLSON PART NUMBER, REVISION LEVEL, AND DATE OF MANUFACTURE.
2. SPLIT POLY LOOM UNLESS OTHERWISE NOTED.
1. OXL WIRE.

NOTES:
 PROPRIETARY
 This drawing is the property of Morgan Olson. It is to be used only for the purpose intended. It is not to be reproduced, stored in a retrieval system, or transmitted in any form or by any means, electronic, mechanical, photocopying, recording, or by any information storage and retrieval system, without the prior written permission of Morgan Olson.

MORGAN OLSON	
GENERAL STANDARD UNLESS OTHERWISE NOTED	DATE
1. UNLESS STATED OTHERWISE, ALL DIMENSIONS ARE IN INCHES.	DATE
2. DIMENSIONS ARE TO CENTER UNLESS OTHERWISE NOTED.	DATE
3. DIMENSIONS ARE TO CENTER UNLESS OTHERWISE NOTED.	DATE
4. DIMENSIONS ARE TO CENTER UNLESS OTHERWISE NOTED.	DATE
5. DIMENSIONS ARE TO CENTER UNLESS OTHERWISE NOTED.	DATE
6. DIMENSIONS ARE TO CENTER UNLESS OTHERWISE NOTED.	DATE
7. DIMENSIONS ARE TO CENTER UNLESS OTHERWISE NOTED.	DATE
8. DIMENSIONS ARE TO CENTER UNLESS OTHERWISE NOTED.	DATE
9. DIMENSIONS ARE TO CENTER UNLESS OTHERWISE NOTED.	DATE
10. DIMENSIONS ARE TO CENTER UNLESS OTHERWISE NOTED.	DATE
11. DIMENSIONS ARE TO CENTER UNLESS OTHERWISE NOTED.	DATE
12. DIMENSIONS ARE TO CENTER UNLESS OTHERWISE NOTED.	DATE
13. DIMENSIONS ARE TO CENTER UNLESS OTHERWISE NOTED.	DATE
14. DIMENSIONS ARE TO CENTER UNLESS OTHERWISE NOTED.	DATE
15. DIMENSIONS ARE TO CENTER UNLESS OTHERWISE NOTED.	DATE
16. DIMENSIONS ARE TO CENTER UNLESS OTHERWISE NOTED.	DATE
17. DIMENSIONS ARE TO CENTER UNLESS OTHERWISE NOTED.	DATE
18. DIMENSIONS ARE TO CENTER UNLESS OTHERWISE NOTED.	DATE
19. DIMENSIONS ARE TO CENTER UNLESS OTHERWISE NOTED.	DATE
20. DIMENSIONS ARE TO CENTER UNLESS OTHERWISE NOTED.	DATE
21. DIMENSIONS ARE TO CENTER UNLESS OTHERWISE NOTED.	DATE
22. DIMENSIONS ARE TO CENTER UNLESS OTHERWISE NOTED.	DATE
23. DIMENSIONS ARE TO CENTER UNLESS OTHERWISE NOTED.	DATE
24. DIMENSIONS ARE TO CENTER UNLESS OTHERWISE NOTED.	DATE
25. DIMENSIONS ARE TO CENTER UNLESS OTHERWISE NOTED.	DATE
26. DIMENSIONS ARE TO CENTER UNLESS OTHERWISE NOTED.	DATE
27. DIMENSIONS ARE TO CENTER UNLESS OTHERWISE NOTED.	DATE
28. DIMENSIONS ARE TO CENTER UNLESS OTHERWISE NOTED.	DATE
29. DIMENSIONS ARE TO CENTER UNLESS OTHERWISE NOTED.	DATE
30. DIMENSIONS ARE TO CENTER UNLESS OTHERWISE NOTED.	DATE
31. DIMENSIONS ARE TO CENTER UNLESS OTHERWISE NOTED.	DATE
32. DIMENSIONS ARE TO CENTER UNLESS OTHERWISE NOTED.	DATE
33. DIMENSIONS ARE TO CENTER UNLESS OTHERWISE NOTED.	DATE
34. DIMENSIONS ARE TO CENTER UNLESS OTHERWISE NOTED.	DATE
35. DIMENSIONS ARE TO CENTER UNLESS OTHERWISE NOTED.	DATE
36. DIMENSIONS ARE TO CENTER UNLESS OTHERWISE NOTED.	DATE
37. DIMENSIONS ARE TO CENTER UNLESS OTHERWISE NOTED.	DATE
38. DIMENSIONS ARE TO CENTER UNLESS OTHERWISE NOTED.	DATE
39. DIMENSIONS ARE TO CENTER UNLESS OTHERWISE NOTED.	DATE
40. DIMENSIONS ARE TO CENTER UNLESS OTHERWISE NOTED.	DATE
41. DIMENSIONS ARE TO CENTER UNLESS OTHERWISE NOTED.	DATE
42. DIMENSIONS ARE TO CENTER UNLESS OTHERWISE NOTED.	DATE
43. DIMENSIONS ARE TO CENTER UNLESS OTHERWISE NOTED.	DATE
44. DIMENSIONS ARE TO CENTER UNLESS OTHERWISE NOTED.	DATE
45. DIMENSIONS ARE TO CENTER UNLESS OTHERWISE NOTED.	DATE
46. DIMENSIONS ARE TO CENTER UNLESS OTHERWISE NOTED.	DATE
47. DIMENSIONS ARE TO CENTER UNLESS OTHERWISE NOTED.	DATE
48. DIMENSIONS ARE TO CENTER UNLESS OTHERWISE NOTED.	DATE
49. DIMENSIONS ARE TO CENTER UNLESS OTHERWISE NOTED.	DATE
50. DIMENSIONS ARE TO CENTER UNLESS OTHERWISE NOTED.	DATE
51. DIMENSIONS ARE TO CENTER UNLESS OTHERWISE NOTED.	DATE
52. DIMENSIONS ARE TO CENTER UNLESS OTHERWISE NOTED.	DATE
53. DIMENSIONS ARE TO CENTER UNLESS OTHERWISE NOTED.	DATE
54. DIMENSIONS ARE TO CENTER UNLESS OTHERWISE NOTED.	DATE
55. DIMENSIONS ARE TO CENTER UNLESS OTHERWISE NOTED.	DATE
56. DIMENSIONS ARE TO CENTER UNLESS OTHERWISE NOTED.	DATE
57. DIMENSIONS ARE TO CENTER UNLESS OTHERWISE NOTED.	DATE
58. DIMENSIONS ARE TO CENTER UNLESS OTHERWISE NOTED.	DATE
59. DIMENSIONS ARE TO CENTER UNLESS OTHERWISE NOTED.	DATE
60. DIMENSIONS ARE TO CENTER UNLESS OTHERWISE NOTED.	DATE
61. DIMENSIONS ARE TO CENTER UNLESS OTHERWISE NOTED.	DATE
62. DIMENSIONS ARE TO CENTER UNLESS OTHERWISE NOTED.	DATE
63. DIMENSIONS ARE TO CENTER UNLESS OTHERWISE NOTED.	DATE
64. DIMENSIONS ARE TO CENTER UNLESS OTHERWISE NOTED.	DATE
65. DIMENSIONS ARE TO CENTER UNLESS OTHERWISE NOTED.	DATE
66. DIMENSIONS ARE TO CENTER UNLESS OTHERWISE NOTED.	DATE
67. DIMENSIONS ARE TO CENTER UNLESS OTHERWISE NOTED.	DATE
68. DIMENSIONS ARE TO CENTER UNLESS OTHERWISE NOTED.	DATE
69. DIMENSIONS ARE TO CENTER UNLESS OTHERWISE NOTED.	DATE
70. DIMENSIONS ARE TO CENTER UNLESS OTHERWISE NOTED.	DATE
71. DIMENSIONS ARE TO CENTER UNLESS OTHERWISE NOTED.	DATE
72. DIMENSIONS ARE TO CENTER UNLESS OTHERWISE NOTED.	DATE
73. DIMENSIONS ARE TO CENTER UNLESS OTHERWISE NOTED.	DATE
74. DIMENSIONS ARE TO CENTER UNLESS OTHERWISE NOTED.	DATE
75. DIMENSIONS ARE TO CENTER UNLESS OTHERWISE NOTED.	DATE
76. DIMENSIONS ARE TO CENTER UNLESS OTHERWISE NOTED.	DATE
77. DIMENSIONS ARE TO CENTER UNLESS OTHERWISE NOTED.	DATE
78. DIMENSIONS ARE TO CENTER UNLESS OTHERWISE NOTED.	DATE
79. DIMENSIONS ARE TO CENTER UNLESS OTHERWISE NOTED.	DATE
80. DIMENSIONS ARE TO CENTER UNLESS OTHERWISE NOTED.	DATE
81. DIMENSIONS ARE TO CENTER UNLESS OTHERWISE NOTED.	DATE
82. DIMENSIONS ARE TO CENTER UNLESS OTHERWISE NOTED.	DATE
83. DIMENSIONS ARE TO CENTER UNLESS OTHERWISE NOTED.	DATE
84. DIMENSIONS ARE TO CENTER UNLESS OTHERWISE NOTED.	DATE
85. DIMENSIONS ARE TO CENTER UNLESS OTHERWISE NOTED.	DATE
86. DIMENSIONS ARE TO CENTER UNLESS OTHERWISE NOTED.	DATE
87. DIMENSIONS ARE TO CENTER UNLESS OTHERWISE NOTED.	DATE
88. DIMENSIONS ARE TO CENTER UNLESS OTHERWISE NOTED.	DATE
89. DIMENSIONS ARE TO CENTER UNLESS OTHERWISE NOTED.	DATE
90. DIMENSIONS ARE TO CENTER UNLESS OTHERWISE NOTED.	DATE
91. DIMENSIONS ARE TO CENTER UNLESS OTHERWISE NOTED.	DATE
92. DIMENSIONS ARE TO CENTER UNLESS OTHERWISE NOTED.	DATE
93. DIMENSIONS ARE TO CENTER UNLESS OTHERWISE NOTED.	DATE
94. DIMENSIONS ARE TO CENTER UNLESS OTHERWISE NOTED.	DATE
95. DIMENSIONS ARE TO CENTER UNLESS OTHERWISE NOTED.	DATE
96. DIMENSIONS ARE TO CENTER UNLESS OTHERWISE NOTED.	DATE
97. DIMENSIONS ARE TO CENTER UNLESS OTHERWISE NOTED.	DATE
98. DIMENSIONS ARE TO CENTER UNLESS OTHERWISE NOTED.	DATE
99. DIMENSIONS ARE TO CENTER UNLESS OTHERWISE NOTED.	DATE
100. DIMENSIONS ARE TO CENTER UNLESS OTHERWISE NOTED.	DATE



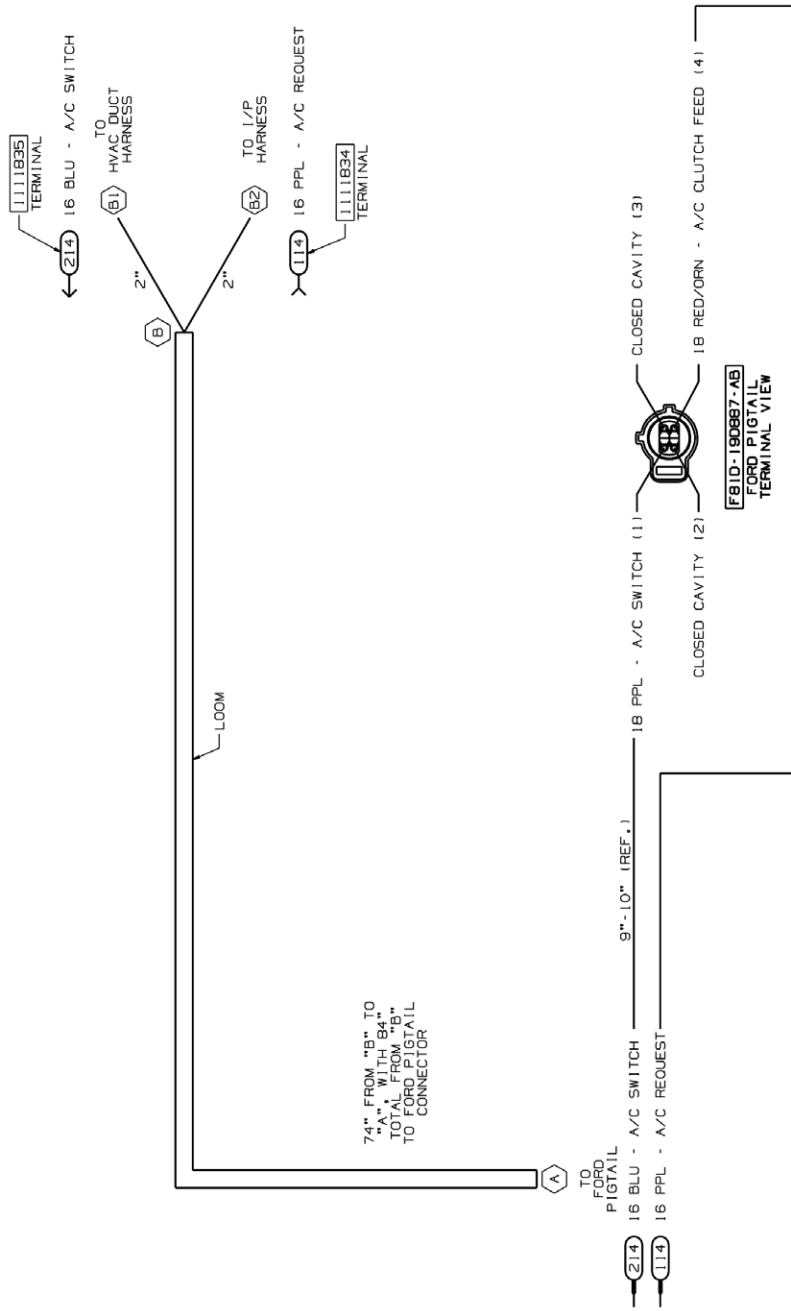
HARNESS AND LOOM TOLERANCES

UP TO 60"	-0/+2"
60" TO 100"	-0/+4"
100" TO 200"	-0/+5"
200" TO 400"	-0/+6"
400" TO 600"	-0/+7"
OVER 600"	-0/+8"
BO TO BO	-0/+2"

LENGTHS APPLY FROM BREAKOUT TO WIRE ENTRY SIDE OF CONNECTOR, OR END OF COVER.

BASED ON:
 008393205

DRAWING NO.	115080201	SHT	1 of 1
REV.	DESCRIPTION	REV.	DATE
	RELEASE FOR PRODUCTION		



74" FROM "B" TO "A", WITH B4" TOTAL FROM "B" TO CONNECTOR

PREFERRED CONSTRUCTION IS TO REPLACE THE FORD PIGTAIL WITH THE FORD CONNECTOR AND TERMINAL TO BE EXTENDED TO COLOR CONNECTOR AND COVERED WITH LOOM PER NOTE #2. PLUGS TO BE ADDED TO UNUSED CAVITIES.

ALTERNATE CONSTRUCTION SPLICE TO FORD PIGTAIL AT A AS SHOWN, THEN COVER PIGTAIL WITH LOOM PER NOTE #2.

- THIS IS A PURCHASED HARNESS. NO BILL OF MATERIAL EXISTS.
- VENDOR MAY REPLACE PIGTAILS WITH WIRING TO APPROVED MOLDINGS OR CONNECTORS. PIGTAILS SHOWN IN TERMINAL VIEW.
- HARNESS TO BE TESTED FOR CONTENT, OPENING, SHORTS, AND CONTINUITY.
- CONNECTORS SHOWN FROM THE ENTRY SIDE, UNLESS OTHERWISE NOTED.
- SPLICES TO BE AUTOMATED WITH SOLDER, AND ADHESIVE LINED HEAT SHRINK TUBING.
- TAPE [1111096]: 6" AT BREAKOUTS, 2" AT 18" INTERVALS, UNLESS OTHERWISE NOTED. GREATER THAN 24", AND 2" AT LOOM ENDS.
- HARNESS TO HAVE A LABEL FOR NUMBER, REVISION LEVEL, AND DATE OF MANUFACTURE.
- SPLIT NYLON LOOM, BLACK WITH GREEN STRIPE, UNLESS OTHERWISE NOTED.

PROPRIETARY

MORGAN OLSON

GENERAL STANDARD UNLESS OTHERWISE NOTED:
 1. DIMENSIONS IN INCHES UNLESS OTHERWISE NOTED.
 2. DIMENSIONS IN MILLIMETERS UNLESS OTHERWISE NOTED.
 3. DIMENSIONS IN METERS UNLESS OTHERWISE NOTED.
 4. DIMENSIONS IN FEET UNLESS OTHERWISE NOTED.
 5. DIMENSIONS IN KILOMETERS UNLESS OTHERWISE NOTED.
 6. DIMENSIONS IN MILES UNLESS OTHERWISE NOTED.
 7. DIMENSIONS IN KILOGRAMS UNLESS OTHERWISE NOTED.
 8. DIMENSIONS IN POUNDS UNLESS OTHERWISE NOTED.
 9. DIMENSIONS IN TONS UNLESS OTHERWISE NOTED.
 10. DIMENSIONS IN OUNCES UNLESS OTHERWISE NOTED.
 11. DIMENSIONS IN GRAINS UNLESS OTHERWISE NOTED.
 12. DIMENSIONS IN STONES UNLESS OTHERWISE NOTED.
 13. DIMENSIONS IN QUINTALS UNLESS OTHERWISE NOTED.
 14. DIMENSIONS IN HECTOKILOGRAMS UNLESS OTHERWISE NOTED.
 15. DIMENSIONS IN MEGAGRAMS UNLESS OTHERWISE NOTED.
 16. DIMENSIONS IN GIGAGRAMS UNLESS OTHERWISE NOTED.
 17. DIMENSIONS IN TERAGRAMS UNLESS OTHERWISE NOTED.
 18. DIMENSIONS IN PETAGRAMS UNLESS OTHERWISE NOTED.
 19. DIMENSIONS IN EXAGRAMS UNLESS OTHERWISE NOTED.
 20. DIMENSIONS IN ZETTAGRAMS UNLESS OTHERWISE NOTED.
 21. DIMENSIONS IN YOTTAGRAMS UNLESS OTHERWISE NOTED.

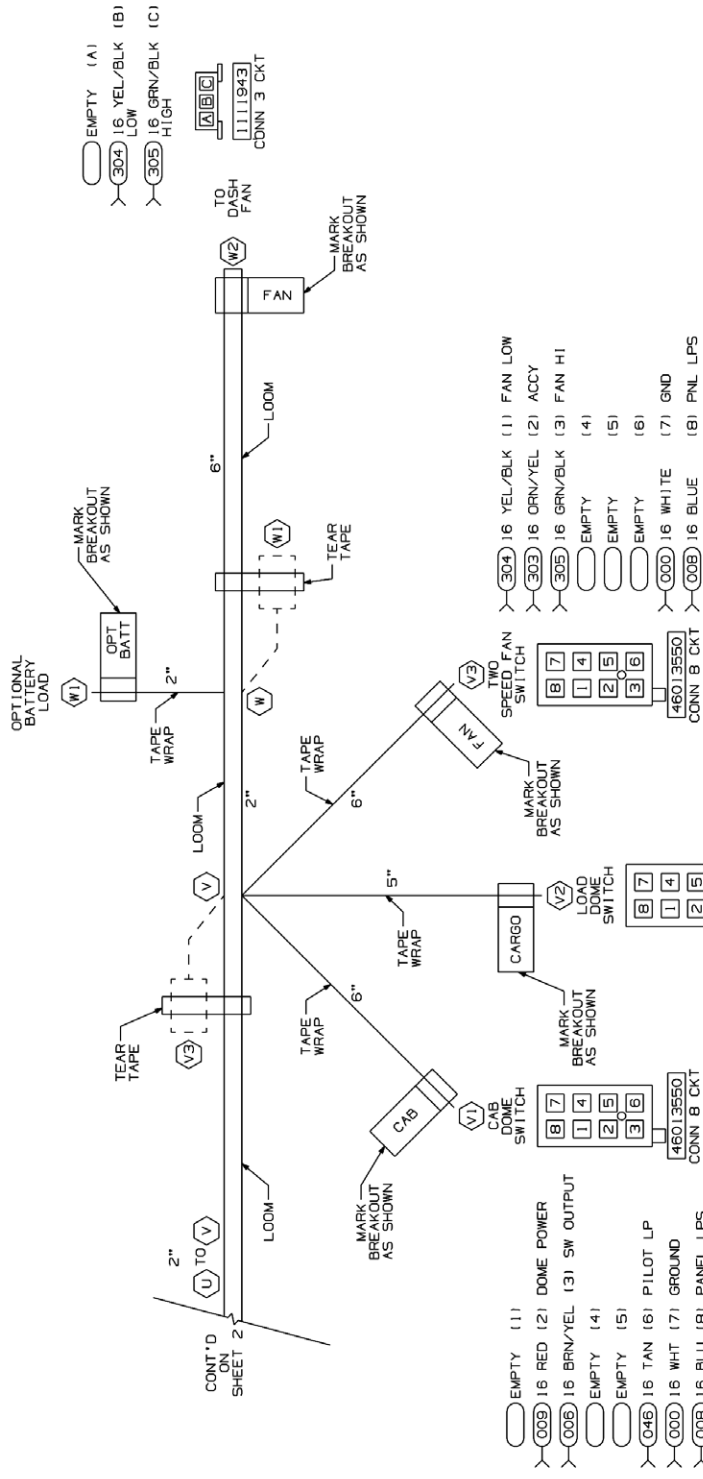
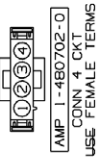
DATE: 17NOV10
 DFW: 33085
 DO NOT SCALE
 HARN A/C LOW PRESS SW F-59
 SCALE: NONE
 DRAWING NO.: 115080201
 SHEET: 1 OF 1

BASED ON:
095080201

DRAWING NO.	REV.	SHT
098084203	C	1 of 4
DESCRIPTION	REV. NO.	DATE
RELEASE FOR PRODUCTION		
REVISED BETWEEN	REV. NO.	DATE
B/O'S "J" AND "M"		
REV'D B/O "RI"		
7" WAS 3" SHEET 2		
ALL		
2008		
2008		

VENDOR TO KEEP LOOM SIZE AS SMALL AS POSSIBLE

- > (000) 16 WHT (1) GROUND
- > (008) 16 BLU (2) PNL LPS
- > (204) 14 RED/BLK (3) BATT-AUX
- > (224) 14 RED/GRN (4) OPT. LD



- > (000) 16 BLU/WHT (1) 3 WAY SW
- > (117) 16 WHT/RED (2) RLY COIL
- > (082) 16 BLU/YEL (3) 3 WAY SW (OR GND)
- > () EMPTY (4)
- > () EMPTY (5)
- > (007) 16 GRN (6) LOAD DOME
- > (000) 16 WHT (7) GND
- > (008) 16 BLU (8) PANEL LPS

HARNESS AND LOOM TOLERANCES
UP TO 60" : -0/+2"
60" TO 100" : -0/+4"
100" TO 200" : -0/+5"
200" TO 400" : -0/+6"
400" TO 600" : -0/+7"
OVER 600" : -0/+8"
BO TO BO : -0/+2"

FIRST USE:
CV100826
BASED ON:
007384210

9. THIS IS A PURCHASED HARNESS. NO BILL OF MATERIAL EXISTS.
8. VENDOR MAY REPLACE PIGTAILS WITH WIRING TO APPROVED MOLDINGS OR CONNECTORS. PIGTAILS SHOWN IN TERMINAL VIEW.
7. HARNESS TO BE TESTED FOR CONTENT, OPENS, SHORTS.
6. CONNECTORS SHOWN FROM WIRE ENTRY SIDE. UNLESS OTHERWISE NOTED.
5. SPLICES TO BE AUTOMATED WITH SOLDER, AND ADHESIVE LINED HEAT SHRINK TUBING.
4. TAPE (1111096) 6" AT BREAKOUTS AND 2" AT LOOM ENDS.
3. HARNESS TO HAVE A LABEL SHOWING MORGAN OLSON PART NUMBER, REVISION NUMBER, AND DATE OF MANUFACTURE.
2. SPLIT POLY LOOM UNLESS OTHERWISE NOTED.
1. GXL WIRE.

NOTES:
1. GXL WIRE.
2. SPLIT POLY LOOM UNLESS OTHERWISE NOTED.
3. HARNESS TO HAVE A LABEL SHOWING MORGAN OLSON PART NUMBER, REVISION NUMBER, AND DATE OF MANUFACTURE.
4. TAPE (1111096) 6" AT BREAKOUTS AND 2" AT LOOM ENDS.
5. SPLICES TO BE AUTOMATED WITH SOLDER, AND ADHESIVE LINED HEAT SHRINK TUBING.
6. CONNECTORS SHOWN FROM WIRE ENTRY SIDE. UNLESS OTHERWISE NOTED.
7. HARNESS TO BE TESTED FOR CONTENT, OPENS, SHORTS.
8. VENDOR MAY REPLACE PIGTAILS WITH WIRING TO APPROVED MOLDINGS OR CONNECTORS. PIGTAILS SHOWN IN TERMINAL VIEW.
9. THIS IS A PURCHASED HARNESS. NO BILL OF MATERIAL EXISTS.

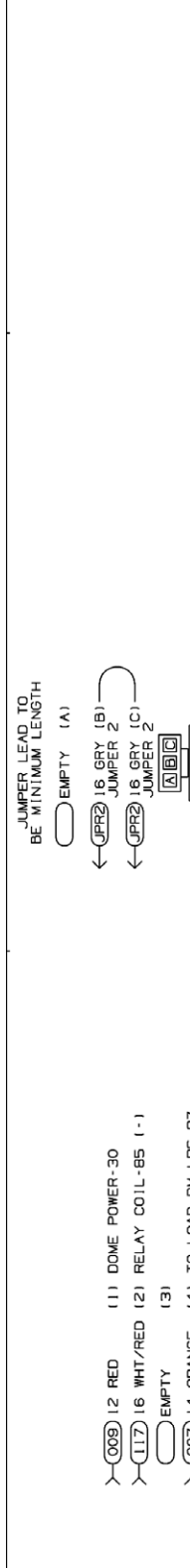
PROPRIETARY

This drawing is the property of Morgan Olson. It is to be used only for the purpose intended. It is not to be reproduced, stored in a retrieval system, or transmitted in any form or by any means, without the prior written permission of Morgan Olson.

REV. NO.	DATE	DATE
098084203	28501	080CT09
DO NOT SCALE		
HARN I/P FCC 2008 M-100		
2P D/PK INT WFR RFR SW		
SCALE		
SHT		
1 of 4		



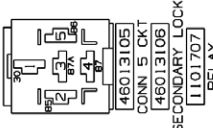
REV.	DESCRIPTION	BY	DATE
098084203	C		
1	RELEASE FOR PRODUCTION		
2	REVISED BETWEEN B/O'S - J AND M		
3	REV'D B/O "R1"		
4	7" WAS 3" SHEET 2		
5	ALL OTHERS		
6			
7			



VENDOR TO MATE (C2) TO (G)

VENDOR TO MATE (C2) TO (G)

- (009) 12 RED (1) DOME POWER-30
- (117) 16 WHT/RED (2) RELAY COIL-B5 (1-1)
- (007) 14 ORANGE (3) RELAY COIL-B6 (1-1)
- (122) 16 GRY/WHT (5) RELAY COIL-B6 (1-1)



- (117) 16 WHT/RED (A) GND FROM LOAD DOME SW
- (122) 16 GRY/WHT (B) TO LOAD DM RLY COIL (1-1)
- (118) 16 BLK/RED (C) DOME RLY COIL B+

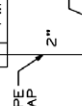
- (204) 14 RED/BLK (A) BATTERY-AUX
- (200) 10 WHT/RED (B) GROUND
- (206) 14 ORN/BLK (C) ACCESSORY-AUX



AUXILIARY POWER

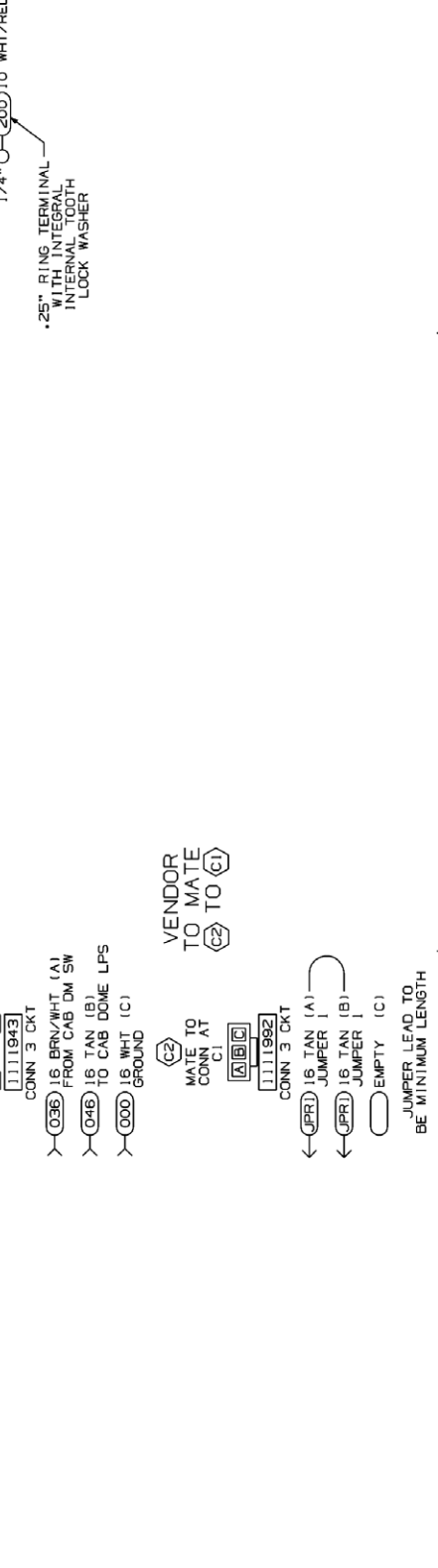


AUXILIARY POWER

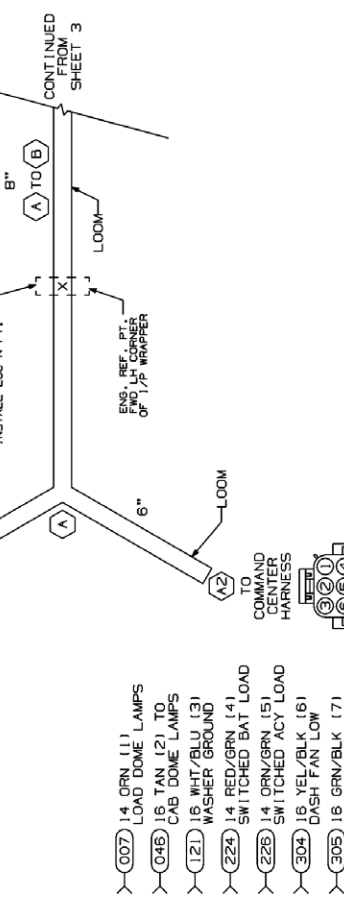
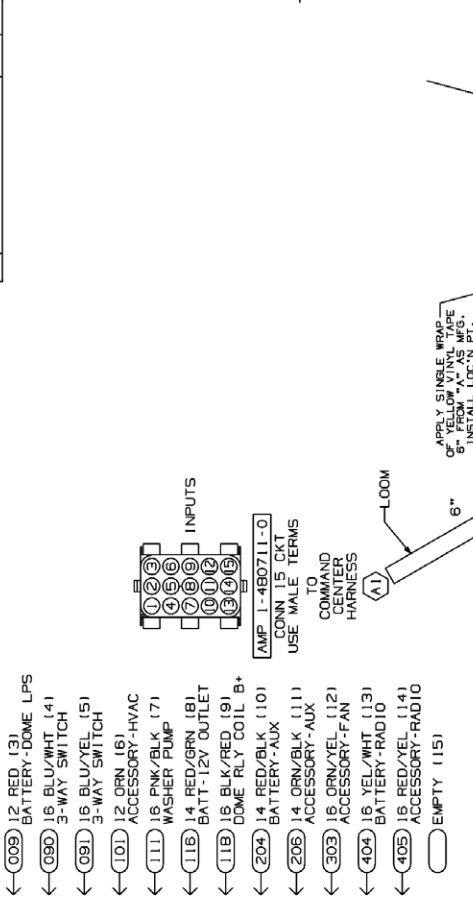


AUXILIARY POWER

DATE	08OCT09	DATE	28501
DO NOT SCALE		SCALE	NONE
NAME	HARN 1/P FCC 2009 M-100 2P-D/PK INT WFR PWR SW	DRAWING NO.	098084203
SHT	3 OF 4	REV	C



DRAWING NO.	REV	SHT
098084203	C	4 OF 4
DESCRIPTION	REV	DATE
RELEASE FOR PRODUCTION	A	
REVISED BETWEEN B2/S-J AND B2/S-M	B	
REV'D B/O "R1"	C	
7" WAS 3" SHEET 2		
7" WAS 3" SHEET 1		



PROPRIETARY	
THIS DRAWING IS THE PROPERTY OF MORGAN OLSON. IT IS TO BE USED ONLY FOR THE PROJECT AND QUANTITY SPECIFIED. IT IS NOT TO BE REPRODUCED OR TRANSMITTED IN ANY FORM OR BY ANY MEANS, ELECTRONIC OR MECHANICAL, INCLUDING PHOTOCOPYING, RECORDING, OR BY ANY INFORMATION STORAGE AND RETRIEVAL SYSTEM. VIOLATION OF THIS NOTICE WILL BE PROSECUTED TO THE FULL EXTENT OF THE LAW.	
MORGAN OLSON	
GENERAL STANDARD UNLESS OTHERWISE NOTED	
1. UNLESS NOTED OTHERWISE, ALL DIMENSIONS ARE IN INCHES.	
2. DIMENSIONS ARE TO CENTER UNLESS OTHERWISE NOTED.	
3. DIMENSIONS ARE TO CENTER UNLESS OTHERWISE NOTED.	
4. DIMENSIONS ARE TO CENTER UNLESS OTHERWISE NOTED.	
DATE	08OCT09
DESIGNED BY	DFW
DATE	28501
DO NOT SCALE	
NAME	HARN 1/P FCC 2009 M-100 2P D/PK INT WFR RWR SW
DRAWING NO.	098084203
SHT	4 OF 4
SCALE	NONE
REV	C

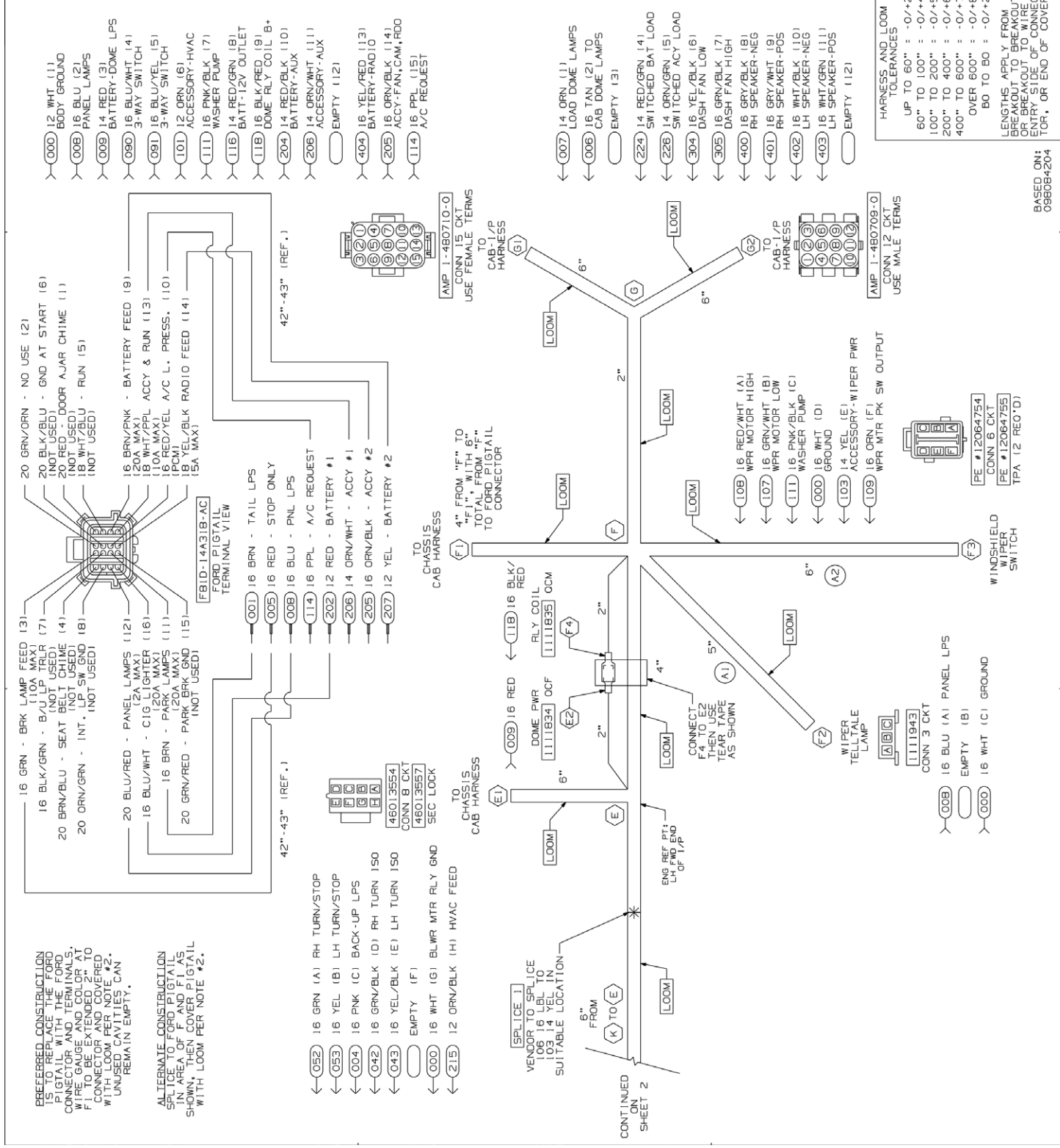
CIRCUIT	DESCRIPTION	END POINTS	FUNCTION
000	2/14/16 WHIT	A1,C1,NI,01,RI,T1,T2,U1,V1,V2,V3,W1	GROUND
006	16 BRN/YEL	F1,V1	CAB DOME LAMP SWITCH OUTPUT
007	14/16 ORN	A2,B1,F2,V2	LOAD DOME LAMP(S)
008	16 BLU	A1,T1,U1,V1,V2,V3,W1	PANEL LAMPS (THRU DIMMER SWITCH)
009	12/16 RED	A1,B1,V1	DOME BATTERY FEED
036	16 BRN/WHIT	C1,E1	CAB DOME TO TIMER
046	16 TAN	A2,C1,V1	CAB DOME LAMP
090	16 BLU/WHIT	A1,V2	LOAD DOME LAMPS 3-WAY SWITCH
091	16 BLU/YEL	A1,N2	LOAD DOME LAMPS 3-WAY SWITCH
092	16 BLU/YEL	P1,V2	LOAD DOME LAMPS 3-WAY SWITCH
100	12 WHIT/RED	A2,J1	ELECTRIC HVAC GROUND
101	12 ORN	A1,J1	ELECTRIC HVAC ACCESSORY POWER
111	16 PNK/BLK	A1,M	WASHER PUMP
116	14 RED/GRN	A1,O1,R1	LIGHTER (BATTERY)
117	16 WHIT/RED	B1,D1,V2	LOAD DOME LAMPS RELAY COIL GROUND
118	16 BLK/RED	A1,D1	LOAD DOME LAMPS RELAY COIL BATTERY
121	16 WHIT/BLU	A2,M	WASHER PUMP GROUND
122	16 GRAY/WHIT	B1,D1	LOAD DOME LAMPS RELAY COIL
200	10 WHIT/RED	G1,G2	GROUND - AUX
204	14 RED/BLK	A1,G1,W1	BATTERY POWER - AUX
206	14 ORN/BLK	A1,G1,U1	ACCESSORY POWER - SWITCHED
224	14 RED/GRN	A2,W1	AUX BATTERY POWER - SWITCHED
226	14 ORN/GRN	A2,U1	AUX ACCESSORY POWER - SWITCHED
303	16 ORN/YEL	A1,V3	FAN SWITCH POWER
304	16 YEL/BLK	A2,V3,W2	DASH FAN LOW
305	16 GRN/BLK	A2,T2	DASH FAN HIGH
401	16 GRAY/WHIT	A2,T2	RH SPEAKER (NEGATIVE)
402	16 WHIT/BLK	A2,T2	LH SPEAKER (POSITIVE)
403	16 WHIT/GRN	A2,T2	LH SPEAKER (POSITIVE)
404	16 YEL/WHIT	A1,T2	RADIO BATTERY FEED
405	16 RED/YEL	A1,T2	RADIO ACCESSORY FEED
JPR1	16 TAN	C2,C2	CAB DOME JUMPER
JPR2	16 GRY	D2,D2	LOAD DOME JUMPER

* OPTIONAL: CIRCUITS 400 & 401 MAY BE SUPPLIED AS STANDARD SPEAKER "ZIP CORD" PAIRS. CIRCUIT NUMBER AND CONNECTOR INDEXING MUST BE MAINTAINED AS SHOWN.

* OPTIONAL: CIRCUITS 402 & 403 MAY BE SUPPLIED AS STANDARD SPEAKER "ZIP CORD" PAIRS. CIRCUIT NUMBER AND CONNECTOR INDEXING MUST BE MAINTAINED AS SHOWN.

- (000) 12 WHIT (11) BODY GROUND
- (008) 16 BLU (2) PANEL LAMPS
- (009) 12 RED (3) BATTERY-DOME LPS
- (090) 16 BLU/WHIT (4) 3-WAY SWITCH
- (091) 16 BLU/YEL (5) 3-WAY SWITCH
- (101) 12 ORN (6) ACCESSORY-HVAC
- (111) 16 PNK/BLK (7) WASHER PUMP
- (116) 14 RED/GRN (8) BATT-12V OUTLET
- (118) 16 BLK/RED (9) DOME RLY COIL B+
- (204) 14 RED/BLK (10) BATTERY-AUX
- (206) 14 ORN/BLK (11) ACCESSORY-AUX
- (303) 16 ORN/YEL (12) ACCESSORY-FAN
- (404) 16 YEL/WHIT (13) BATTERY-RADIO
- (405) 16 RED/YEL (14) ACCESSORY-RADIO
- () EMPTY (15)
- (007) 14 ORN (11) LOAD DOME LAMPS
- (046) 16 TAN (2) TO CAB DOME LAMPS
- (121) 16 WHIT/BLU (3) WASHER GROUND
- (224) 14 RED/GRN (4) SWITCHED BAT LOAD
- (226) 14 ORN/GRN (5) SWITCHED ACY LOAD
- (304) 16 YEL/BLK (6) DASH FAN LOW
- (305) 16 GRN/BLK (7) DASH FAN HIGH
- (400) 16 GRY/BLK (8) RH SPEAKER-NEG
- (401) 16 GRY/WHIT (9) RH SPEAKER-POS
- (402) 16 WHIT/BLK (10) LH SPEAKER-NEG
- (403) 16 WHIT/GRN (11) LH SPEAKER-POS
- (100) 12 WHIT/RED (12) HVAC GROUND

DRAWING NO.	REV.	SHT
115084202	A	1 of 3
DESCRIPTION	DATE	BY
RELEASE FOR PRODUCTION		
1) 5" LOOMED WAS 2"	DFW 3/2003	
2) 6" WAS 4"	DFW 3/2003	



- THIS IS A PURCHASED HARNESS. NO BILL OF MATERIAL EXISTS.
- VENDOR MAY REPLACE APPROX. WITH NEW OR CONNECTORS. PIGTAILS SHOWN IN TERMINAL VIEW.
- HARNESS TO BE TESTED FOR CONTACT POINTS, SHORTS, AND CONTINUITY.
- CONNECTORS SHOWN FROM WIRE ENTRY SIDE, UNLESS OTHERWISE NOTED.
- SPLICES TO BE AUTOMATED WITH SOLDER, AND ADHESIVE LINED HEAT SHRINK TUBING.
- TAPE (111098): 6" AT BREAKOUTS, 2" AT 18" INTERVALS FOR UNINTERRUPTED LOOM LENGTHS GREATER THAN 24", AND 2" AT LOOM ENDS.
- HARNESS TO HAVE A LABEL SHOWING MORGAN OLSON PART NUMBER, REVISION NUMBER, AND DATE OF MANUFACTURE.
- SPLIT POLY LOOM UNLESS OTHERWISE NOTED.
1. GXL WIRE.

PROPRIETARY
 This drawing is the property of Morgan Olson. It is to be used only for the purpose intended. It is not to be reproduced, stored in a retrieval system, or transmitted in any form or by any means, electronic, mechanical, photocopying, recording, or by any information storage and retrieval system, without the prior written permission of Morgan Olson.

MORGAN OLSON	
GENERAL STANDARD UNLESS OTHERWISE NOTED	
1. ANGLES: 30°, 45°, 60°, 90°, 120°, 150°, 180°	XXX = .010
2. DIMENSIONS: AS SHOWN	XX = .005
3. DIMENSIONS: AS SHOWN	XX = .005
4. DIMENSIONS: AS SHOWN	XX = .005
5. DIMENSIONS: AS SHOWN	XX = .005
DATE	06NOV10
DATE	06NOV10
DO NOT SCALE	2011 F.59 M-100
HARN CMD CTR F59 2011	
DRAWING NO.	115084202
SHT	1 of 3
SCALE	NONE
REV	A

BASED ON: 098084204

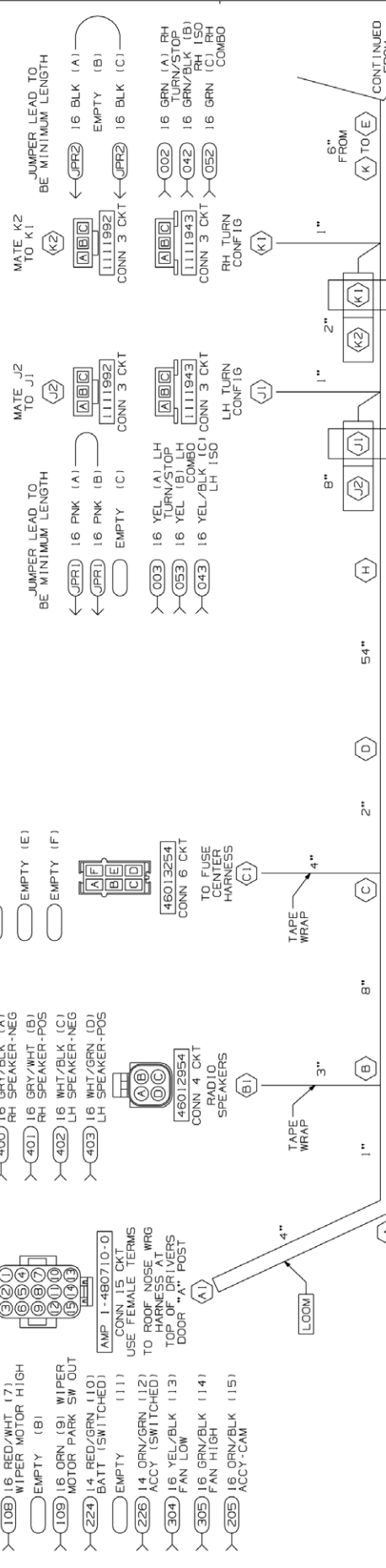
DRAWING NO.	REV	SHT
115084202	A	2 of 3
DESCRIPTION	DATE	
RELEASE FOR PRODUCTION		
1) 5" LOOMED WAS 2"	DFW 3/2003	
2) 6" WAS 4"	DFW 10/FEB/11	

- > (207) 12 YEL (A) BATT FEED #2
- > (204) 14 RED/BLK (B) BATT-AUX
- > (009) 14 RED (C) BATT-DOMES
- > () EMPTY (D)
- > () EMPTY (E)
- > () EMPTY (F)

- > (400) 16 GRN/BLK (A) RH SPEAKER-NEG
- > (401) 16 GRN/BLK (B) RH SPEAKER-POS
- > (402) 16 WHT/BLK (C) LH SPEAKER-NEG
- > (403) 16 WHT/GRN (D) LH SPEAKER-POS

- > (000) 12 WHT (1) GROUND
- > (001) 16 BRN (2) CLERK/ICC LPS
- > (004) 16 PNK (3) BACK-UP SIG
- > (106) 16 LBL (4) WIPER PARK B+
- > () EMPTY (5)
- > (107) 16 GRN/WHT (6) WIPER MOTOR LOW
- > (108) 16 RED/WHT (7) WIPER MOTOR HIGH
- > () EMPTY (8)
- > (109) 16 GRN (9) WIPER MOTOR PARK SW OUT
- > (224) 14 RED/GRN (10) BATT (SWITCHED)
- > () EMPTY (11)
- > (226) 14 GRN/GRN (12) ACCY (SWITCHED)
- > (304) 16 YEL/BLK (13) FAN LOW
- > (305) 16 GRN/BLK (14) FAN HIGH
- > (205) 16 GRN/BLK (15) ACCY-CAM

- > (000) 12 WHT (1) GROUND
- > (001) 16 BRN (2) TAIL LP/SIDE MKR
- > (002) 16 GRN (3) RH TURN/COMBO LP
- > (003) 16 YEL (4) LH TURN/COMBO LP
- > (004) 16 PNK (5) BACK-UP LP
- > (005) 16 RED (6) STOP ONLY
- > (006) 16 TAN (7) CAB DOME LP
- > (090) 16 BLU/WHT (8) 3-WAY SW
- > (091) 16 BLU/YEL (9) 3-WAY SW
- > () EMPTY (10)
- > (007) 14 GRN (11) LOAD DOME LAMPS
- > () EMPTY (12)



JUMPER LEAD TO BE MINIMUM LENGTH

MATE K2 TO K1

16 BLK (A)
EMPTY (B)
16 BLK (C)

JUMPER LEAD TO BE MINIMUM LENGTH

MATE J2 TO J1

16 PNK (A)
16 PNK (B)
EMPTY (C)

JUMPER LEAD TO BE MINIMUM LENGTH

16 YEL (A) LH TURN/STOP
16 YEL (B) COMB H
16 YEL/BLK (C) LH ISO

16 GRN (A) RH SPEAKER-NEG
16 GRN (B) RH SPEAKER-POS
16 WHT/BLK (C) LH SPEAKER-NEG
16 WHT/GRN (D) LH SPEAKER-POS

12 WHT (1) GROUND
16 BRN (2) CLERK/ICC LPS
16 PNK (3) BACK-UP SIG
16 LBL (4) WIPER PARK B+

16 GRN/BLK (A) RH SPEAKER-NEG
16 GRN/BLK (B) RH SPEAKER-POS
16 WHT/BLK (C) LH SPEAKER-NEG
16 WHT/GRN (D) LH SPEAKER-POS

12 WHT (1) GROUND
16 BRN (2) TAIL LP/SIDE MKR
16 GRN (3) RH TURN/COMBO LP
16 YEL (4) LH TURN/COMBO LP

DATE	DATE	DATE
08NOV10	08NOV10	08NOV10
DO NOT SCALE	2011 F.58 M-100	
NAME	HARN CMD CTR F59 2011	
DRAWING NO.	SCALE	
115084202	NONE	
SHT	REV	
2 of 3	A	

PROPRIETARY

This drawing is the property of Morgan Olson. It is to be used only for the specific vehicle and chassis for which it was prepared. It is not to be used for any other vehicle or chassis without the written consent of Morgan Olson.

MORGAN OLSON

GENERAL STANDARD UNLESS OTHERWISE NOTED

1. ANGLES: 30°, 45°, 60°, 90°, 120°, 150°, 180°

2. FOR ALL MATING, ALL PARTS CONFORM MUST BE IDENTICAL TO THE ORIGINAL PARTS.

3. FOR ALL MATING, ALL PARTS CONFORM MUST BE IDENTICAL TO THE ORIGINAL PARTS.

4. FOR ALL MATING, ALL PARTS CONFORM MUST BE IDENTICAL TO THE ORIGINAL PARTS.

5. FOR ALL MATING, ALL PARTS CONFORM MUST BE IDENTICAL TO THE ORIGINAL PARTS.

6. FOR ALL MATING, ALL PARTS CONFORM MUST BE IDENTICAL TO THE ORIGINAL PARTS.

7. FOR ALL MATING, ALL PARTS CONFORM MUST BE IDENTICAL TO THE ORIGINAL PARTS.

8. FOR ALL MATING, ALL PARTS CONFORM MUST BE IDENTICAL TO THE ORIGINAL PARTS.

9. FOR ALL MATING, ALL PARTS CONFORM MUST BE IDENTICAL TO THE ORIGINAL PARTS.

10. FOR ALL MATING, ALL PARTS CONFORM MUST BE IDENTICAL TO THE ORIGINAL PARTS.

11. FOR ALL MATING, ALL PARTS CONFORM MUST BE IDENTICAL TO THE ORIGINAL PARTS.

12. FOR ALL MATING, ALL PARTS CONFORM MUST BE IDENTICAL TO THE ORIGINAL PARTS.

13. FOR ALL MATING, ALL PARTS CONFORM MUST BE IDENTICAL TO THE ORIGINAL PARTS.

14. FOR ALL MATING, ALL PARTS CONFORM MUST BE IDENTICAL TO THE ORIGINAL PARTS.

15. FOR ALL MATING, ALL PARTS CONFORM MUST BE IDENTICAL TO THE ORIGINAL PARTS.

16. FOR ALL MATING, ALL PARTS CONFORM MUST BE IDENTICAL TO THE ORIGINAL PARTS.

17. FOR ALL MATING, ALL PARTS CONFORM MUST BE IDENTICAL TO THE ORIGINAL PARTS.

18. FOR ALL MATING, ALL PARTS CONFORM MUST BE IDENTICAL TO THE ORIGINAL PARTS.

19. FOR ALL MATING, ALL PARTS CONFORM MUST BE IDENTICAL TO THE ORIGINAL PARTS.

20. FOR ALL MATING, ALL PARTS CONFORM MUST BE IDENTICAL TO THE ORIGINAL PARTS.

TO FUSE CENTER HARNESS

TO WIPER FEED PIGTAIL

TO ROOF WRG HARNESS AT TOP OF DRIVERS DOOR "A" POST

TO ROOF NOSE WRG HARNESS AT TOP OF DRIVERS DOOR "A" POST

12 ORN/BLK (A) HVAC FEED

12 ORN (B) ACCY-HVAC

EMPTY (C)

12 RED (D) BATT FEED #1

14 RED/GRN (E) BATT-12V OUT

16 YEL/RED (F) BATT-ROD

12 GRN/BLK (A) RH SPEAKER-NEG

12 GRN/BLK (B) RH SPEAKER-POS

16 WHT/BLK (C) LH SPEAKER-NEG

16 WHT/GRN (D) LH SPEAKER-POS

14 RED/BLK (A) BATT-AUX

EMPTY (B)

14 ORN/WHT (C) ACCY-AUX

12 WHT (1) GROUND

16 BRN (2) CLERK/ICC LPS

16 PNK (3) BACK-UP SIG

16 LBL (4) WIPER PARK B+

EMPTY (5)

16 GRN/WHT (6) WIPER MOTOR LOW

16 RED/WHT (7) WIPER MOTOR HIGH

EMPTY (8)

16 GRN (9) WIPER MOTOR PARK SW OUT

14 RED/GRN (10) BATT (SWITCHED)

EMPTY (11)

14 GRN/GRN (12) ACCY (SWITCHED)

16 YEL/BLK (13) FAN LOW

16 GRN/BLK (14) FAN HIGH

16 GRN/BLK (15) ACCY-CAM

12 WHT (1) GROUND

16 BRN (2) TAIL LP/SIDE MKR

16 GRN (3) RH TURN/COMBO LP

16 YEL (4) LH TURN/COMBO LP

16 PNK (5) BACK-UP LP

16 RED (6) STOP ONLY

16 TAN (7) CAB DOME LP

16 BLU/WHT (8) 3-WAY SW

16 BLU/YEL (9) 3-WAY SW

EMPTY (10)

14 GRN (11) LOAD DOME LAMPS

EMPTY (12)

16 GRN/BLK (A) RH SPEAKER-NEG

16 GRN/BLK (B) RH SPEAKER-POS

16 WHT/BLK (C) LH SPEAKER-NEG

16 WHT/GRN (D) LH SPEAKER-POS

12 WHT (1) GROUND

16 BRN (2) TAIL LP/SIDE MKR

16 GRN (3) RH TURN/COMBO LP

16 YEL (4) LH TURN/COMBO LP

16 PNK (5) BACK-UP LP

16 RED (6) STOP ONLY

16 TAN (7) CAB DOME LP

16 BLU/WHT (8) 3-WAY SW

16 BLU/YEL (9) 3-WAY SW

EMPTY (10)

14 GRN (11) LOAD DOME LAMPS

EMPTY (12)

DRAWING NO.	REV	SHT
115084202	A	3 of 3
DESCRIPTION	BY	ECG NO.
RELEASE FOR PRODUCTION	CHK.	DATE
1 1 5" LOKMED WAS 2"	DFW	3/9/03
2 1 6" WAS 4"		07/01/11

CIRCUIT	DESCRIPTION	END POINTS	FUNCTION
000	12/16 WHT	A1,A2,E1,F2,F3,G1	GROUND
001	16 BRN	A1,A2,F1	TAIL/CLER/MKR LAMPS
002	16 GRN	A2,K1	RIGHT HAND TURN/STOP LAMP
003	16 YEL	A2,J1	LEFT HAND TURN/STOP LAMP
004	16 PNK	A1,A2,E1	BACK-UP LP SIGNAL
005	16 RED	A2,F1	STOP ONLY LAMP
006	16 TAN	A2,G2	CAB DOME LAMP
007	14 GRN	A2,G2	LOAD DOME LAMP(S)
008	16 BLU	F1,F2,G1	DASH ILLUM
009	14/16 RED	C1,E2,G1	BATTERY-DOME LAMP
042	16 GRN/BLK	E1,K1	RH TURN ISO
043	16 YEL/BLK	E1,J1	LH TURN ISO
052	16 GRN	E1,K1	RH TURN/STOP
053	16 YEL	E1,J1	LH TURN/STOP
090	16 BLU/WHT	A2,G1	LOAD DM 3W SW
091	16 BLU/YEL	A2,G1	LOAD DM 3W SW
101	12 GRN	D1,G1	ACCESSORY-ELECTRIC HVAC POWER
103	14 YEL	H1,F3,SPLICE 1	ACCESSORY WIPER POWER
106	16 LBL	A1,SPLICE 1	WIPER PARK (B+)
107	16 GRN/WHT	A1,F3	WIPER MOTOR LOW
108	16 RED/WHT	A1,F3	WIPER MOTOR HIGH
109	16 GRN	A1,F3	WPR MOTOR PARK SWITCH OUTPUT
111	16 PNK/BLK	F3,G1	WASHER PUMP
114	16 PPL	F1,G1	A/C REQUEST
116	14 RED/GRN	D1,G1	BATTERY-12V OUTLET/LTR
118	16 BLK/RED	F4,G1	LOAD DOME RELAY COIL (B+)
202	12 RED	D1,F1	BATTERY FEED #1
204	14 RED/BLK	B2,C1,G1	BATTERY-AUXILIARY
205	16 ORN/BLK	A1,F1,G1	ACCESSORY-FAN,CAM,ROD
206	14 ORN/WHT	B2,F1,G1	ACCESSORY-AUXILIARY
207	12 YEL	C1,F1	BATTERY FEED #2
215	12 ORN/BLK	D1,E1	ACCESSORY-HVAC FEED
224	14 RED/GRN	A1,G2	BATTERY-AUXILIARY SWITCHED
226	14 ORN/GRN	A1,G2	ACCESSORY-AUXILIARY SWITCHED
304	16 YEL/BLK	A1,G2	DASH FAN LOW
305	16 GRN/BLK	A1,G2	DASH FAN HIGH
*400	16 GRY/BLK	B1,G2	RH SPEAKER (-)
*401	16 GRY/WHT	B1,G2	RH SPEAKER (+)
*402	16 WHT/BLK	B1,G2	LH SPEAKER (-)
*403	16 WHT/GRN	B1,G2	LH SPEAKER (+)
404	16 YEL/RED	D1,G1	BATTERY-RADIO
JPR1	16 PNK	J2,J2	LH TURN JUMPER
JPR2	16 BLK	K2,K2	RH TURN JUMPER

- OPTIONAL: CIRCUITS 400 & 401 MAY BE SUPPLIED AS STANDARD SPEAKER "ZIP CORD" PAIRS. CIRCUIT NUMBER AND CONNECTOR INDEXING MUST BE MAINTAINED AS SHOWN.
- OPTIONAL: CIRCUITS 402 & 403 MAY BE SUPPLIED AS STANDARD SPEAKER "ZIP CORD" PAIRS. CIRCUIT NUMBER AND CONNECTOR INDEXING MUST BE MAINTAINED AS SHOWN.

PROPRIETARY

This drawing and the information contained herein are the property of Morgan Olson and may not be used, reproduced, or transmitted in any form or by any means, electronic or mechanical, including photocopying, recording, or by any information storage and retrieval system, without the prior written consent of Morgan Olson.

MORGAN OLSON

SECTION: ELECTRICAL SYSTEMS OTHER THAN: 1. TOLERANCE: 0.000 UNLESS OTHERWISE SPECIFIED. 2. DIMENSIONS: 1/16" & 1/8" ANGLES: 45 & 90 DEGREE. 3. FOR FLAT PATTERNS ALL INSIDE CORNERS MUST BE ROUNDED UP TO .031" UNLESS OTHERWISE SPECIFIED. 4. FOR FLAT PATTERNS ALL OUTSIDE CORNERS MAY BE ROUNDED UP TO .031" UNLESS OTHERWISE SPECIFIED.

DATE: 06NOV10 DATE: 06NOV10
 DO NOT SCALE: 2011 F-59 M-100
 NAME: HARN CMD CTR F59 2011

DRAWING NO. 115084202
 SHT 3 of 3
 SCALE NONE
 REV A

DRAWING NO.	REV	SHT
128084201		1 of 1
DESCRIPTION	REV	DATE
RELEASE FOR PRODUCTION		

10. THIS IS A PURCHASED HARNESS. NO BULK OF MATERIAL EXISTS.
9. BRAIDED POLYESTER SLEEVING TO BE CLOSED AT BOTH ENDS WITH 1/2" HEAT SHRINK TUBING, AND TAPED [111098] 6" AT BREAKOUTS.
8. VENDOR MAY REPLACE PIGTAILS WITH WIRING TO APPROVED MOLDINGS OR CONNECTORS. PIGTAILS SHOWN IN TERMINAL VIEW.
7. HARNESS TO BE TESTED FOR CONTENT, OPENS, SHORTS.
6. CONNECTORS SHOWN FROM WIRE ENTRY SIDE, UNLESS OTHERWISE NOTED.
5. SPLICES TO BE AUTOMATED WITH SOLDER, AND ADHESIVE LINED HEAT SHRINK TUBING.
4. TAPE [111098] 6" AT BREAKOUTS AND 2" AT LOOM ENDS.
3. HARNESS TO HAVE A LABEL SHOWING MORGAN OLSON PART NUMBER, REVISION NUMBER, AND DATE OF MANUFACTURE.
2. SPLIT POLY LOOM UNLESS OTHERWISE NOTED.
1. GXL WIRE.

NOTES:

1. GXL WIRE.

2. SPLIT POLY LOOM UNLESS OTHERWISE NOTED.

3. HARNESS TO HAVE A LABEL SHOWING MORGAN OLSON PART NUMBER, REVISION NUMBER, AND DATE OF MANUFACTURE.

4. TAPE [111098] 6" AT BREAKOUTS AND 2" AT LOOM ENDS.

5. SPLICES TO BE AUTOMATED WITH SOLDER, AND ADHESIVE LINED HEAT SHRINK TUBING.

6. CONNECTORS SHOWN FROM WIRE ENTRY SIDE, UNLESS OTHERWISE NOTED.

7. HARNESS TO BE TESTED FOR CONTENT, OPENS, SHORTS.

8. VENDOR MAY REPLACE PIGTAILS WITH WIRING TO APPROVED MOLDINGS OR CONNECTORS. PIGTAILS SHOWN IN TERMINAL VIEW.

9. BRAIDED POLYESTER SLEEVING TO BE CLOSED AT BOTH ENDS WITH 1/2" HEAT SHRINK TUBING, AND TAPED [111098] 6" AT BREAKOUTS.

10. THIS IS A PURCHASED HARNESS. NO BULK OF MATERIAL EXISTS.



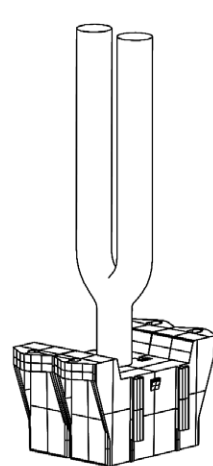
REV	DATE	BY	CHK.
DATE	DATE	DATE	DATE
16JAN12	16JAN12	16JAN12	16JAN12
DO NOT SCALE	RSK	2012	
NAME			
HARN FUSE CTR FCC			
2012 M-100			
DRAWING NO.			
128084201			
SHT	SCALE	REV	
1 of 1	NONE		

HARNESS AND LOOM TOLERANCES

UP TO 60" : -0/+2"
 60" TO 100" : -0/+4"
 100" TO 200" : -0/+5"
 200" TO 400" : -0/+6"
 400" TO 600" : -0/+7"
 OVER 600" : -0/+8"
 BO TO BO : -0/+2"

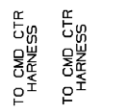
LENGTHS APPLY FROM BREAKOUT TO WIRE ENTRY SIDE OF CONNECTOR, OR END OF COVER.

BASED ON: 08B084202



LAY OF WIRE TO BE SUCH THAT TERMINAL INDICATOR CUT FROM BEHIND CENTER OF FUSE BLOCK ASSEMBLY, AS SHOWN

- ← (207) 12 YEL (A) BATT
- ← () EMPTY (B)
- ← (009) 12 RED (C) BATT-DOMES
- ← (116) 14 RED/GRN (D) BATT-12V OUT
- ← (204) 14 RED/BLK (E) BATT-AUX
- ← () EMPTY (F)



- > (203) 12 ORN (A) ACCY
- > () EMPTY (B)
- > (206) 14 ORN/BLK (C) ACCY-AUX 1
- > (214) 14 ORN/WHT (D) ACCY-AUX 2
- > (303) 16 ORN/YEL (E) ACCY-FAN
- > (212) 14 PPL/BLK (F) ACCY-RADIO



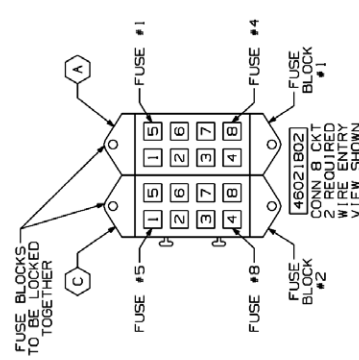
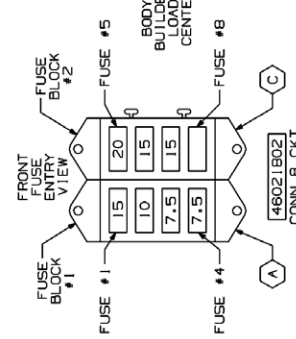
4-WAY BUS

- > (203) 12 ORN (1) ACCY
- > () EMPTY (2)
- > () EMPTY (3)
- > () EMPTY (4)
- > (206) 14 ORN/BLK (5) ACCY-AUX 1
- > (214) 14 ORN/WHT (6) ACCY-AUX 2
- > (303) 16 ORN/YEL (7) ACCY-FAN
- > (212) 14 PPL/BLK (8) ACCY-RADIO

- FUSE #1 15 AMP
- FUSE #2 10 AMP
- FUSE #3 7.5 AMP
- FUSE #4 7.5 AMP

CIRCUIT	DESCRIPTION	END POINTS	FUNCTION
009	12 RED	C,D	BATT-DOMES
116	14 RED/GRN	C,D	BATT-12V OUT
203	12 ORN	A,B	ACCY
204	14 RED/BLK	C,D	BATT-AUX
206	14 ORN/BLK	A,B	ACCY-AUX 1
207	12 YEL	C,D	BATT
212	14 PPL/BLK	A,B	ACCY-RADIO
214	14 ORN/WHT	A,B	ACCY-AUX 2
303	16 ORN/YEL	A,B	ACCY-FAN

NOTE: FUSES AND FUSEBLOCKS MUST BE ORIENTED AS SHOWN BELOW



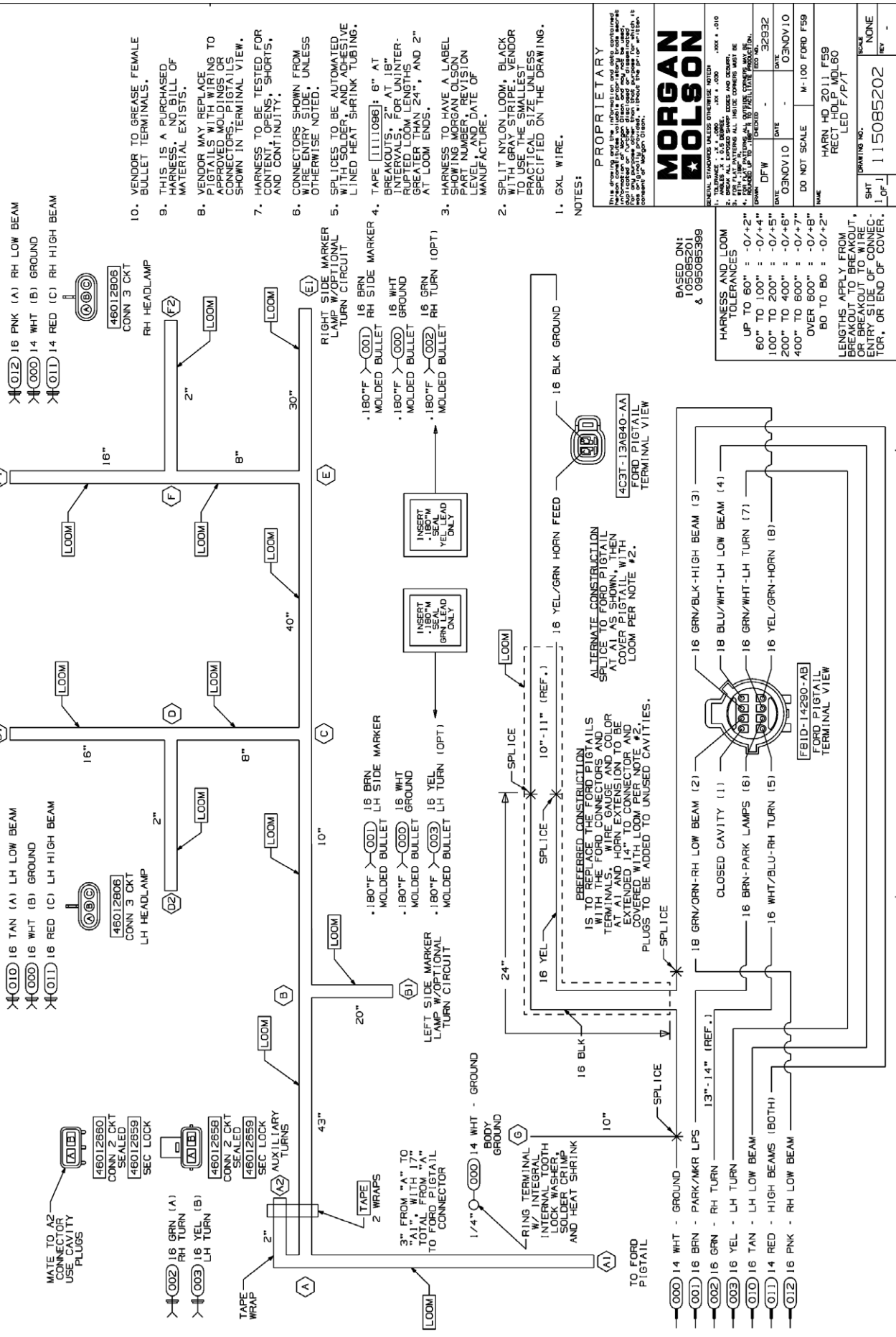
- > (207) 12 YEL (1) BATT
- > () EMPTY (2)
- > () EMPTY (3)
- > () EMPTY (4)
- > (009) 12 RED (5) BATT-DOMES
- > (116) 14 RED/GRN (6) BATT-12V OUT
- > (204) 14 RED/BLK (7) BATT-AUX
- > () EMPTY (8)

- FUSE #5 20 AMP
- FUSE #6 15 AMP
- FUSE #7 15 AMP
- FUSE #8 EMPTY

REV	1	15085202	SHT	1
DESCRIPTION				
RELEASE FOR PRODUCTION				
BY				
CHK				
DATE				

CIRCUIT	DESCRIPTION	END POINTS	FUNCTION
000	14/16 WHT	A1, B1, D1, D2, E1, F1, F2, G	GROUND
001	16 BRN	A1, B1, D1, E1, F1	PARK/MARKER
002	16 GRN	A1, A2, E1, F1	RH TURN
003	16 YEL	A1, A2, B1, D1	LH TURN
010	16 TAN	A1, D2	LH LOW BEAM
011	14/16 RED	A1, D2, F2	HIGH BEAMS (BOTH)
012	16 PNK	A1, F2	RH LOW BEAM

46012860	CONN 2 CKT SEALED
46012859	SEC LOCK
46012858	CONN 2 CKT SEALED
46012857	CONN 2 CKT SEALED
46012806	CONN 3 CKT
46012805	CONN 3 CKT

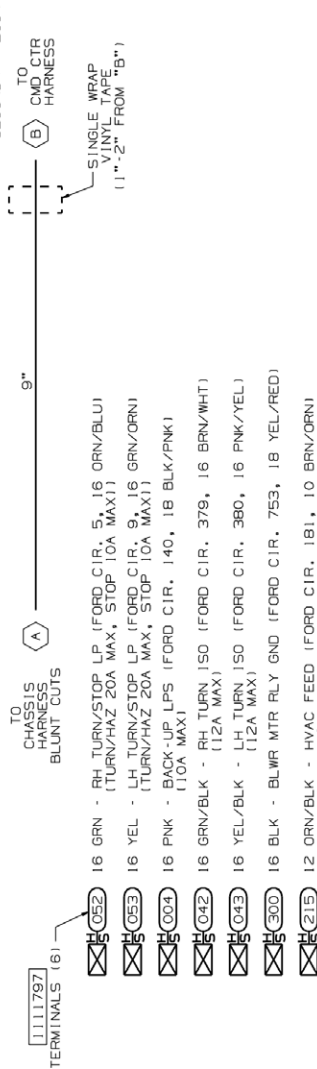


DRAWING NO.	REV.	SHT
115088201		1 of 1
DESCRIPTION	DATE	
RELEASE FOR PRODUCTION		

- 052 16 GRN (A) RH TURN/STOP LP
- 053 16 YEL (B) LH TURN/STOP LP
- 004 16 PNK (C) BACK-UP LPS
- 042 16 GRN/BLK (D) RH TURN ISO
- 043 16 YEL/BLK (E) LH TURN ISO
- EMPTY (F)
- 300 16 BLK (G) BLWR MTR RLY GND
- 215 12 ORN/BLK (H) HVAC FEED



[46013556]
CONN - B CKT
2 - [46013556]
SECONDARY LOCK



[1111797]
TERMINALS (6)

[1111798]
TERMINAL (1)

9. THIS IS A PURCHASED HARNESS. NO BILL OF MATERIAL EXISTS.
8. VENDOR MAY REPLACE PIGTAILS WITH WIRING TO APPROVED MOLDINGS OR CONNECTORS. PIGTAILS SHOWN IN TERMINAL VIEW.
7. HARNESS TO BE TESTED FOR CONTENT, OPENS, SHORTS, AND CONTINUITY.
6. CONNECTORS SHOWN FROM WIRE ENTRY SIDE UNLESS OTHERWISE NOTED.
5. SPLICES TO BE AUTOMATED WITH SOLDER AND ADHESIVE LINED HEAT SHRINK TUBING.
4. TAPE [1111098]: 6" AT BREAKOUTS AND 2" AT LOOM ENDS.
3. HARNESS TO HAVE A LABEL SHOWING MORGAN OLSON PART NUMBER, REVISION MANUFACTURE.
2. SPLIT POLY LOOM UNLESS OTHERWISE NOTED.
1. GAL WIRE.

NOTES:

PROPRIETARY <small>This drawing is the property of Morgan Olson and is not to be distributed outside of Morgan Olson. It is the property of Morgan Olson and is not to be distributed outside of Morgan Olson. It is the property of Morgan Olson and is not to be distributed outside of Morgan Olson.</small>	
<small>GENERAL STANDARDS UNLESS OTHERWISE NOTED: 1. DIMENSIONS IN INCHES UNLESS OTHERWISE NOTED. 2. DIMENSIONS IN MILLIMETERS UNLESS OTHERWISE NOTED. 3. DIMENSIONS IN METERS UNLESS OTHERWISE NOTED. 4. DIMENSIONS IN FEET UNLESS OTHERWISE NOTED. 5. DIMENSIONS IN METERS UNLESS OTHERWISE NOTED. 6. DIMENSIONS IN METERS UNLESS OTHERWISE NOTED.</small>	
DATE	32990
DFW	
DATE	06NOV10
DO NOT SCALE	
NAME	HARN JPB 1/P BLUNT CUT F58 2011
DRAWING NO.	115088201
SHT	1 of 1
SCALE	NONE

HARNESS AND LOOM TOLERANCES

UP TO 60" : -0/+2"
 60" TO 100" : -0/+4"
 100" TO 200" : -0/+5"
 200" TO 400" : -0/+6"
 400" TO 600" : -0/+7"
 OVER 600" : -0/+8"
 BO TO BO : -0/+2"

LENGTHS APPLY FROM BREAKOUT TO BREAKOUT OR BREAKOUT TO WIRE ENTRY SIDE OF CONNECTOR, OR END OF COVER.

BASED ON:
095088397

DRAWING NO.	REV	SHT
115088202	A	1 of 1
REV.	DESCRIPTION	BY
	RELEASE FOR PRODUCTION	CH.
	DATE	DATE
A	3" WIRES ADDED TO CONN HAS BLANK	ALL
	11010	10/04/13

- THIS IS A PURCHASED HARNESS. NO BILL OF MATERIAL EXISTS.
- VENDOR MAY REPLACE PIGTAILS WITH WIRING TO APPROVED WIRING CONNECTIONS. PIGTAILS SHOWN IN TERMINAL VIEW.
- HARNESS TO BE TESTED FOR CONTENT, OPENS, SHORTS, AND CONTINUITY.
- CONNECTORS SHOWN FROM WIRE ENTRY SIDE. UNLESS OTHERWISE NOTED.
- SPLICES TO BE AUTOMATED WITH SOLDER AND ADHESIVE LINED HEAT SHRINK TUBING.
- TAPE [1111096]: 6" AT BREAKOUTS, 2" AT 18" INTERVALS FOR UNINTERRUPTED LOOM LENGTHS GREATER THAN 24", AND 2" AT LOOM ENDS.
- HARNESS TO HAVE A LABEL SHOWING MORGAN OLSON PART NUMBER, REVISION LEVEL, AND DATE OF MANUFACTURE.
- SPLIT NYLON LOOM, BLACK WITH GRAY STRIPE, UNLESS OTHERWISE NOTED.
- GXL WIRE.

NOTES:

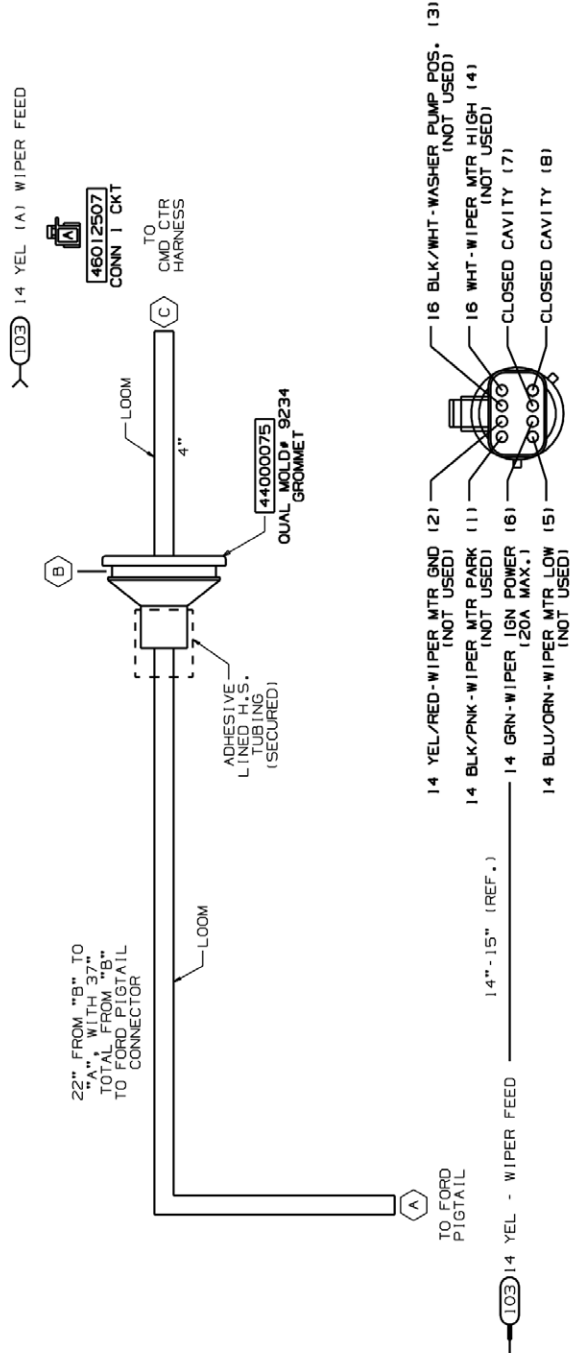
PROPRIETARY

This drawing and the information on this drawing are the property of Morgan Olson. No part of this drawing may be reproduced or transmitted in any form or by any means, electronic, mechanical, photocopying, recording, or by any information storage and retrieval system, without the prior written consent of Morgan Olson.



1. TOLERANCE	± 0.10
2. DIMENSIONS	± 0.10
3. FOR ALL DIMENSIONS ALL HOLE DIMENSIONS MUST BE	
4. FOR ALL DIMENSIONS ALL DIMENSIONS MUST BE	
5. FOR ALL DIMENSIONS ALL DIMENSIONS MUST BE	
6. FOR ALL DIMENSIONS ALL DIMENSIONS MUST BE	
DATE	04NOV10
DO NOT SCALE	
NAME	HARN JPR 1/P WPR F59 2011

DATE	04NOV10
DO NOT SCALE	
NAME	HARN JPR 1/P WPR F59 2011
DRAWING NO.	115088202
SCALE	NONE
SHT	1 of 1
REV	A



ADDED NOTE:

INSTALL 3" OF INSULATED WIRE W/ TERMINALS INTO UNUSED CAVITIES 1-5 OF FORD PIGTAIL AT END A OF HARNESS. HEAT SHRINK ENDS OF BLUNT CUT WIRES. MAKE SURE WIRES ARE BUNDLED AND LOOMED WITH THE YELLOW WIPER FEED WIRE.

ALTERNATE CONSTRUCTION

SPLICE TO FORD PIGTAIL AT A AS SHOWN, THEN COVER PIGTAIL WITH LOOM PER NOTE #2.

PREFERRED CONSTRUCTION

IS TO REPLACE THE FORD PIGTAIL WITH THE FORD CONNECTOR AND TERMINAL. WIRE GAUGE AND COLOR AT A TO BE EXTENDED 15" TO CONNECTOR AND COVERED WITH CONDUCTOR NOTE #3. PLUGS BE ADDED TO UNUSED CAVITIES.

HARNESS AND LOOM TOLERANCES
UP TO 60" : -0/+2"
60" TO 100" : -0/+4"
100" TO 200" : -0/+5"
200" TO 400" : -0/+6"
400" TO 600" : -0/+7"
OVER 600" : -0/+8"
BO TO BO : -0/+2"

LENGTHS APPLY FROM BREAKOUT TO BREAKOUT OR BREAKOUT TO WIRE ENTRY SIDE OF CONNECTOR, OR END OF COVER.

BASED ON: 095088399

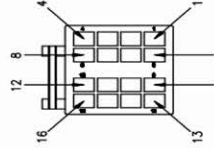
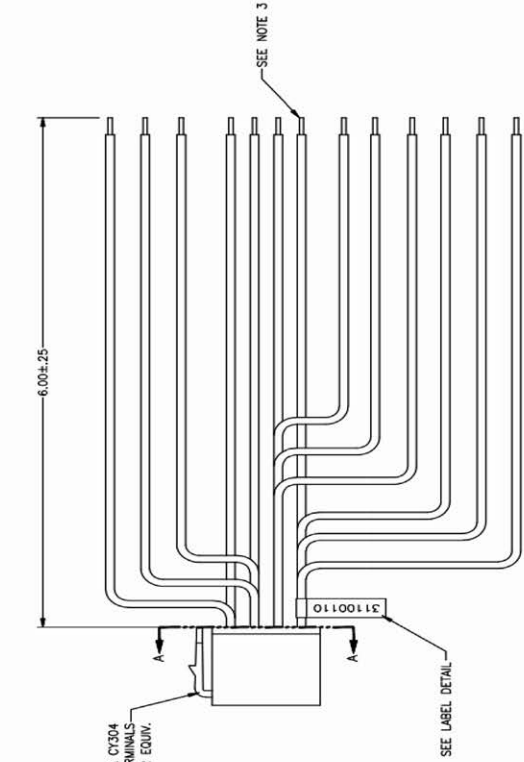
REV	DESCRIPTION	BY	REL. NO.
	RELEASE TO PRODUCTION	CHK.	DATE

DRAWING NO.	REV	SHT
122079201		1 of 2

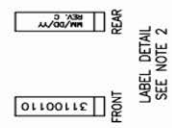
LOCATE THE POWER/SPEAKER PIGTAIL SHOWN HERE WHICH COMES WITH THE #46025598 DOUBLE DIN RADIO/MONITOR, AND TERMINATE BLUNT CUT WIRES AS SHOWN ON SHEET 2 OF THIS DRAWING.

REV	DATE	DESIGN REVISIONS	ECN#
A	01/11/10	ORIGINAL	
B	02/05/10	REPLACED AMP CONNECTORS 982189-1 & 982191-1 WITH C20A	3110010-B-1
C	01/25/12	STRIP AND TIN BLUNT CUT ENDS	3110010-C-1

- NOTES:**
- 1) ALL WIRES TO BE 18 GAUGE STRANDED COPPER WIRE WITH VINYL INSULATION IN COLORS INDICATED
 - 2) LABEL TO HAVE PART NUMBER ON FRONT, REV LEVEL AND DATE TO BE ON REAR
 - 3) ALL WIRES TO BE STRIPPED 5MM (.20 INCH) AND TIN SOLDERED AS SHOWN



PIN NO.	WIRE COLOR	FUNCTION
1	GREEN	LEFT REAR SPEAKER (+)
2	WHITE	LEFT FRONT SPEAKER (+)
3	GRAY	RIGHT FRONT SPEAKER (+)
4	VIOLET	RIGHT REAR SPEAKER (+)
5	GREEN/BLACK	LEFT REAR SPEAKER (-)
6	WHITE/BLACK	LEFT FRONT SPEAKER (-)
7	GRAY/BLACK	RIGHT FRONT SPEAKER (-)
8	VIOLET/BLACK	RIGHT REAR SPEAKER (-)
9	RED	+12V SWITCHED
10	BLUE	POWER ANTENNA REMOTE
11	EMPTY	NO CONNECTION
12	EMPTY	NO CONNECTION
13	BLACK	GROUND
14	ORANGE/WHITE	BACKLIGHT/DIMMER
15	YELLOW	+12V BATT UNSWITCHED
16	EMPTY	NO CONNECTION



PROPRIETARY

This drawing and the information and data contained hereon constitutes valuable proprietary trade secret information of Morgan Olson Corp. and may not be used, duplicated or further disclosed or disseminated for any purpose other than that purpose for which it was originally provided, without the prior written consent of Morgan Olson Corp.



- GENERAL STANDARDS UNLESS OTHERWISE NOTED:
1. TOLERANCE- .X ± .060 .XX ± .030 .XXX ± .010 ANGLES- .X ± .5 DEGREES
 2. BREAK ALL EXPOSED SHARP EDGES AND DEBURR.
 3. FOR FLAT PATTERNS ALL INSIDE CORNERS MUST BE WITH .188" R.
 4. FOR FLAT PATTERNS ALL OUTSIDE CORNERS MAY BE ROUNDED UP TO .188" R TO FACILITATE PRODUCTION.

DRAWN	RLC	CHECKED	RELEASE NO.
DATE	29MAR12	DATE	29MAR12
DO NOT SCALE		NAME	

HARN MOD RDO/MON PWR/SPKR
ASA-JENSEN #JRV212TB

SHT	DRAWING NO.	SCALE
1 of 2	122079201	NONE
		REV

REV	DATE	BY	DESCRIPTION
1	01/25/12	ECN	3110010-C-1
2	01/25/12	ECN	3110010-C-1

DRAWING NO.		REV	SHT
122079201			2 of 2
REV.	DESCRIPTION	BY	DATE
	RELEASE TO PRODUCTION		

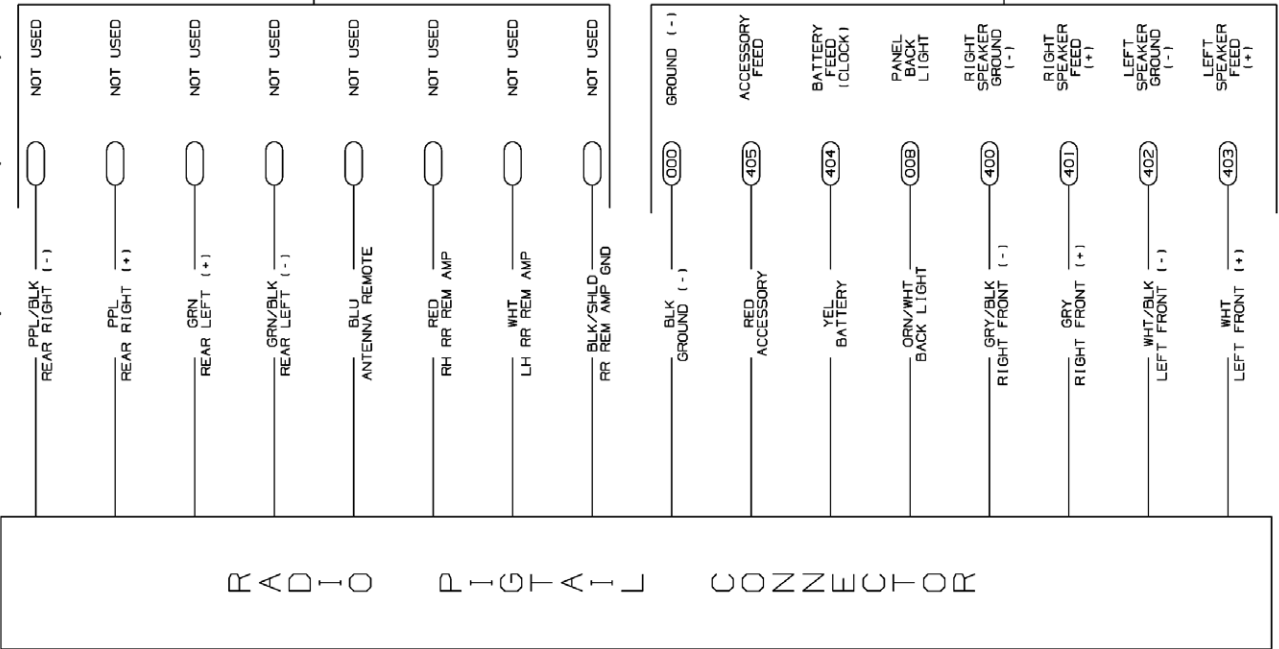
FIRST USE:
CV101252
BASED ON:
112079202

<p>PROPRIETARY</p> <p>THIS IS A TRADE SECRET AND NOT TO BE DISCLOSED TO ANY OTHER PERSON OR ENTITY WITHOUT THE WRITTEN PERMISSION OF MORGAN OLSON. ANY UNAUTHORIZED DISCLOSURE OR REPRODUCTION OF THIS DOCUMENT IS STRICTLY PROHIBITED AND WILL BE PROSECUTED TO THE FULL EXTENT OF THE LAW.</p>	
<p>MORGAN OLSON</p>	
<p>GENERAL STANDARDS UNLESS OTHERWISE NOTED:</p> <p>1. WIRING SHALL BE IN ACCORDANCE WITH THE AUTOMOTIVE WIRING STANDARDS (AWIS) PUBLISHED BY THE AUTOMOTIVE ELECTRICAL SYSTEMS MANUFACTURERS ASSOCIATION (AESA).</p> <p>2. ALL WIRING SHALL BE IN ACCORDANCE WITH THE AUTOMOTIVE WIRING STANDARDS (AWIS) PUBLISHED BY THE AUTOMOTIVE ELECTRICAL SYSTEMS MANUFACTURERS ASSOCIATION (AESA).</p> <p>3. ALL WIRING SHALL BE IN ACCORDANCE WITH THE AUTOMOTIVE WIRING STANDARDS (AWIS) PUBLISHED BY THE AUTOMOTIVE ELECTRICAL SYSTEMS MANUFACTURERS ASSOCIATION (AESA).</p> <p>4. FOR ALL WIRING, THE WIRE SHALL BE OF THE CORRECT GAUGE AND SHALL BE OF THE CORRECT COLOR.</p>	
DATE	29MAR12
DATE	29MAR12
DO NOT SCALE	2012
<p>NAME</p> <p>HARN MOD ROD/MON PWRV/SPKR ASA-JENSEN #JRV2121B</p>	
SHT	SCALE
2 of 2	NONE
DRAWING NO.	REV
122079201	

JENSEN RADIO IDENTIFIER PIGTAIL WIRE COLOR

MORGAN OLSON WIRING CIRCUIT NUMBER

ACTUAL USE FOR 2 SPEAKER SYSTEM



THESE CIRCUITS ARE NOT USED. CUT OFF STRIPPED END OF FIRST WIRE THEN CUT EACH WIRE 1" SHORTER THAN THE LAST SO THE ENDS CANNOT CONTACT EACH OTHER. COVER THE EIGHT WIRES WITH A SINGLE LENGTH OF #46032502 HEAT SHRINK TUBING

COVER PIGTAIL LEADS WITH #1106143 LOOM, AND CLOSE USING #1111096 TAPE

- ← (000) BLACK (A) GROUND (-)
- ← (405) RED (B) ACCESSORY
- ← (404) YELLOW (C) BATTERY
- ← (00B) ORN/WHT (D) DASH ILLUMINATION
- ← (400) GRY/BLK (E) RIGHT FRONT SPEAKER (-)
- ← (401) GRAY (F) RIGHT FRONT SPEAKER (+)
- ← (402) WHT/BLK (G) LEFT FRONT SPEAKER (-)
- ← (403) WHITE (H) LEFT FRONT SPEAKER (+)

ATTACH #4601B504 TERMINALS TO THESE INSERT INTO CAVITIES OF #4601B554 AS SHOWN AT RIGHT.

THIS CONNECTOR MATTER TO PIP HARN RADIO POWER CONNECTOR

4601B554 CONN. B. CKT. SEC. LOCK

REV	DESCRIPTION	BY	REL. NO.
	RELEASE TO PRODUCTION	CHK	DATE

PROPRIETARY

This drawing and the information and data contained hereon constitutes valuable proprietary trade secret information of Morgan Olson Corp. and may not be used, duplicated or further disclosed or disseminated for any purpose other than that purpose for which it was originally provided, without the prior written consent of Morgan Olson Corp.



GENERAL STANDARDS UNLESS OTHERWISE NOTED:

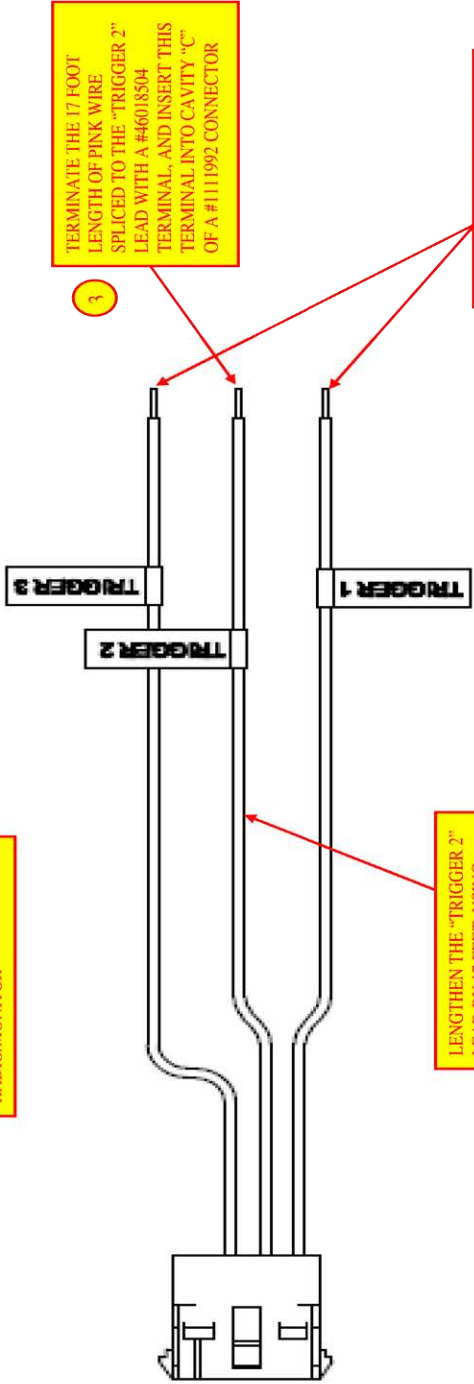
1. TOLERANCE: .X ± .060 .XX ± .030 .XXX ± .010
2. ANGLES: .X ± .5 DEGREES
3. BREAK ALL EXPOSED SHARP EDGES AND DERURR FOR FLAT PATTERNS ALL INSIDE CORNERS MUST BE WITH .188" R.
4. FOR FLAT PATTERNS ALL OUTSIDE CORNERS MAY BE ROUNDED UP TO .188" R TO FACILITATE PRODUCTION

DRAWN	CHECKED	RELEASE NO.
RLC	-	37885
DATE	DATE	DATE
29MAR12	-	29MAR12
DO NOT SCALE		
NAME		

HARN MOD RDOMON TRIG
ASA-JENSEN #JRV212TB

SHT	DRAWING NO.	SCALE
1 of 1	122079202	NONE
		REV

1 LOCATE THE TRIGGER PIGTAIL SHOWN HERE, WHICH COMES WITH THE #602598 DOUBLE DIN RADIO/MONITOR



2 LENGTHEN THE "TRIGGER 2" LEAD BY 17 FEET, USING #46005812 WIRE, #46019300 AUTOSPlice, #46031003 SOLDER, AND #46032502 HEAT SHRINK

3 TERMINATE THE 17 FOOT LENGTH OF PINK WIRE SPLICED TO THE "TRIGGER 2" LEAD WITH A #46018504 TERMINAL, AND INSERT THIS TERMINAL INTO CAVITY "C" OF A #1111992 CONNECTOR

4 INSULATE THE END OF THE "TRIGGER 1", AND "TRIGGER 3" LEADS USING #46032502 HEAT SHRINK

5 COVER THE ENTIRE LENGTH OF THE MODIFIED PIGTAIL LEADS WITH #46020201 LOOM, AND CLOSE USING #1111096 TAPE

REV.	DESCRIPTION	BY	REL. NO.
A	RELEASE TO PRODUCTION	CHK.	DATE
A	ADDED SHTS 2-6	DFW	37540 27JAN12

PROPRIETARY

This drawing and the information and data contained herein constitutes valuable proprietary trade secret information of Morgan Olson Corp. and may not be used, duplicated or further disclosed or disseminated for any purpose other than that purpose for which it was originally provided, without the prior written consent of Morgan Olson Corp.



- GENERAL STANDARDS UNLESS OTHERWISE NOTED:
- TOLERANCE .X ± .060 .XX = .030 .XXX ± .010
 - ANGLES .X ± .5 DEGREES
 - BREAK ALL EXPOSED SHARP EDGES AND DEBURR. FOR FLAT PATTERNS ALL INSIDE CORNERS MUST BE WITH .188" R.
 - FOR FLAT PATTERNS ALL OUTSIDE CORNERS MAY BE ROUNDED UP TO .188" R TO FACILITATE PRODUCTION

DRAWN: DFW
CHECKED: -
RELEASE NO: 37540

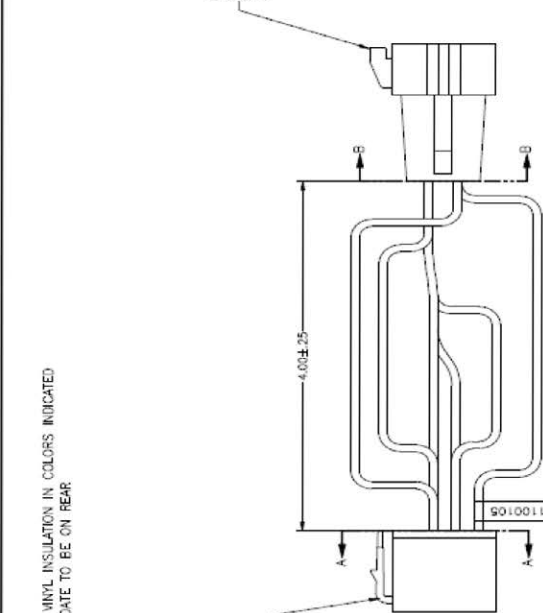
DATE: 27JAN12
DATE: 27JAN12

DO NOT SCALE

RDO AM/FM/WB/CD JEN
#JHD3620PED W/PIGTAIL

SHT	DRAWING NO.	SCALE
6 of 6	46025593	NONE
		REV
		A

REV	DATE	REVISION	ENGR
A	12/09/09	ORIGNAL	
B	02/02/11	RELEASED AMP CONNECTORS 952189-1 & 952189-1-1 REF: 0758	31100105-9-1

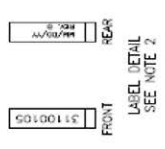


VIEW B-B
WIRE INSERTION VIEW

PIN NO.	WIRE COLOR	DESCRIPTION
A	BLACK	GROUND
B	RED	+12V ACCESSORY (SWITCHED)
C	EMPTY	NO CONNECTION
D	EMPTY	NO CONNECTION
E	GRAY/BLACK	RIGHT FRONT SPEAKER (-)
F	GRAY	RIGHT FRONT SPEAKER (+)
G	WHITE/BLACK	LEFT FRONT SPEAKER (-)
H	WHITE	LEFT FRONT SPEAKER (+)

VIEW A-A
WIRE INSERTION VIEW

PIN NO.	WIRE COLOR	FUNCTION
1	EMPTY	NO CONNECTION
2	WHITE	LEFT FRONT SPEAKER (+)
3	GRAY	RIGHT FRONT SPEAKER (+)
4	EMPTY	NO CONNECTION
5	EMPTY	NO CONNECTION
6	WHITE/BLACK	LEFT FRONT SPEAKER (-)
7	GRAY/BLACK	RIGHT FRONT SPEAKER (-)
8	EMPTY	NO CONNECTION
9	EMPTY	NO CONNECTION
10	EMPTY	NO CONNECTION
11	EMPTY	NO CONNECTION
12	EMPTY	NO CONNECTION
13	BLACK	GROUND
14	EMPTY	NO CONNECTION
15	RED	+12V SWITCHED
16	EMPTY	NO CONNECTION



DRAWING NO. 46025593
SHT 6 of 6
REV A

- NOTES:**
- ALL WIRES TO BE 18 GAUGE STRANDED COPPER WIRE WITH VINYL INSULATION IN COLORS INDICATED
 - LABEL TO HAVE PART NUMBER ON FRONT, REV LEVEL AND DATE TO BE ON REAR

31100105

DESCRIPTION: ADAPTER, ISO MALE TO DELPHI PACKARD

REV 1 OF 1 DATE 12/09/09 DRAWN BY: J. HAMILTON

31100105

AS Electronics