



## PARTS CATALOG

PUBLISHED DEC 2015



2014-2015 MORGAN OLSON BODY  
2014-2015 FORD CHASSIS

22'x85"Hx93"W F59 US GAS  
UNIT NUMBERS PAGE 4



1.800.233.4823  
WWW.MORGANOLSONPARTS.COM



INTRODUCTION	3
UNIT NUMBER COVERAGE AND ASSIGNMENT	4
CAB & ENGINE BOX	5
WINDSHIELD	6
INSTRUMENT PANEL	7
HOOD	8-9
STEPS	10
SEATS	11
FLOOR	12
SIDES	13-14
ROOF	15
REAR	16
BULKHEAD	17
SIDE DOOR	18
SIDE DOOR POCKET	19
ROLL UP DOOR (RUD)	20-23
PIPE RACK	24
SHELF	25
BUMPERS	26
MIRRORS & WINDSHIELD WIPERS	27
HEATER	28-30
MISCELLANEOUS	31-32
BATTERY BOX SIDE (OPTIONAL)	33
LIFT GATE (OPTIONAL)	34
ELECTRICAL	35-36
WIRING DIAGRAMS	37-60

This parts guide contains illustrations and part numbers for aramark Delivery Vehicle Package Cars and applies to bill of material # JV001237 produced in 2015.

Cover photo shown with optional lift gate installed. See page 36 for Lift Gate information.

This book has been divided into chapters. Each chapter has illustrations with part numbers and descriptions. When possible, each part is pointed out to help identify it. Orientation references are from the rear of the vehicle facing forward. LH (LEFT HAND) is roadside and RH (RIGHT HAND) is curbside.

### **Procedure to Order Parts**

1. Depending on the part desired, turn to the appropriate section.
2. Locate the desired part on the Illustration Page(s) and note it's part number.
3. Contact a Morgan Olson Service Parts Representative. Have part numbers readily available.
4. When placing orders, specify vehicle VIN number.

FOR WARRANTY INFORMATION CALL 1-800-262-3437

ANY QUESTIONS OR CONCERNS SHOULD BE DIRECTED TO YOUR SERVICE  
PARTS REPRESENTATIVE AT  
1-800-233-4823

At Morgan Olson, our quest for quality and safety is ongoing and therefore the specifications on the product described herein may vary over time. Please contact Morgan Olson for the latest product information and available safety features and options.

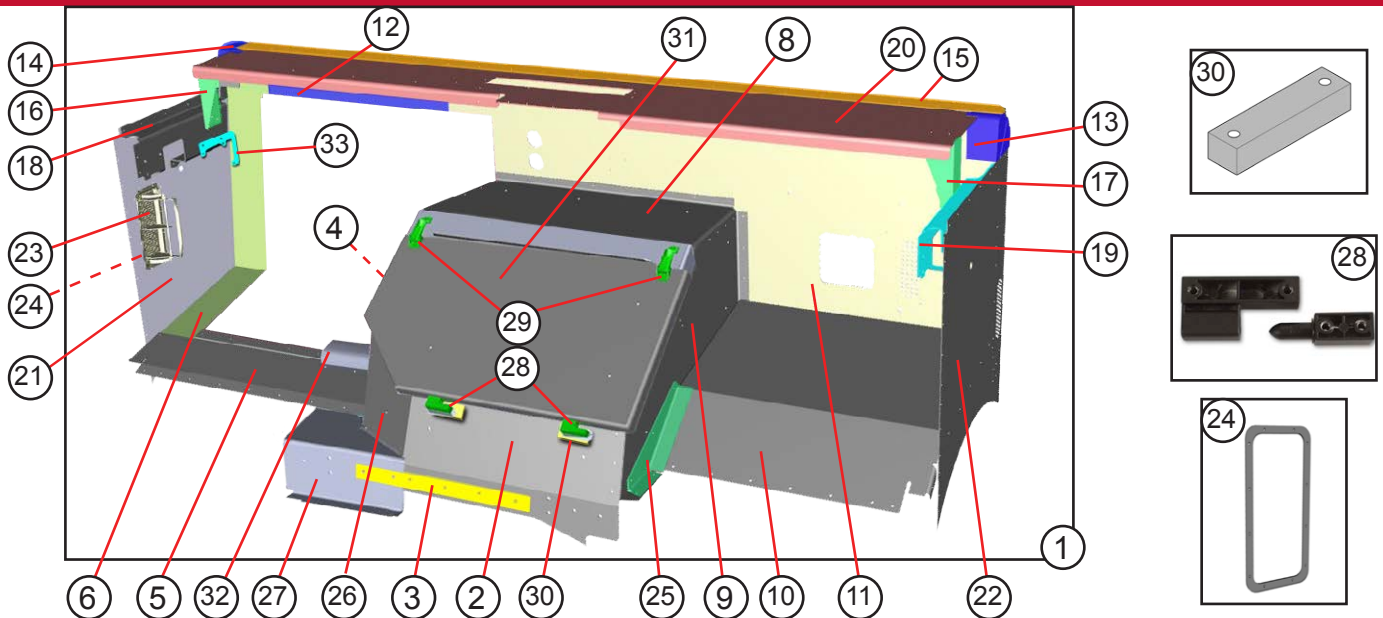
THIS PARTS CATALOG APPLIES TO THE FOLLOWING ARAMARK UNIT NUMBERS.

VIN NUMBER	UNIT #
------------	--------

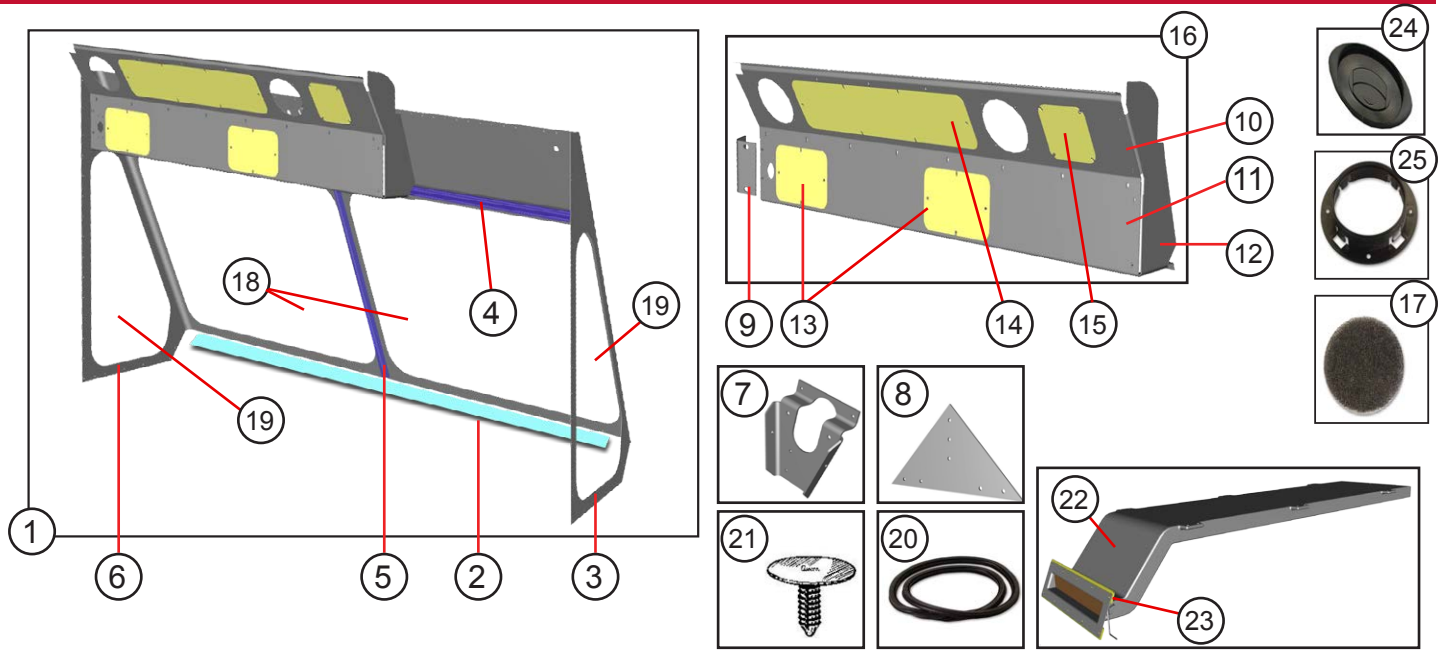
1F66F5KY4G0A02954	0025307
1F66F5KY6G0A02955	0025308
1F66F5KY8G0A02956	0025309
1F66F5KYXG0A02957	0025310
1F66F5KY1G0A02958	0025311
1F66F5KY3G0A02959	0025312
1F66F5KYXG0A02960	0025313
1F66F5KY1G0A02961	0025314
1F66F5KY5G0A02963	0025316
1F66F5KY7G0A02964	0025317
1F66F5KY9G0A02965	0025318
1F66F5KY0G0A02966	0025319
1F66F5KY2G0A02967	0025320
1F66F5KY4G0A02968	0025321
1F66F5KY6G0A02969	0025322
1F66F5KY2G0A02970	0025323
1F66F5KY4G0A02971	0025324
1F66F5KY8G0A02973	0025326
1F66F5KYXG0A02974	0025327
1F66F5KY1G0A02975	0025328
1F66F5KY3G0A02976	0025329
1F66F5KY5G0A02977	0025330
1F66F5KY6G0A03832	0025331
1F66F5KY8G0A03833	0025332
1F66F5KYXG0A03834	0025333
1F66F5KY1G0A03835	0025334
1F66F5KY3G0A03836	0025335
1F66F5KY5G0A03837	0025336
1F66F5KY7G0A03838	0025337
1F66F5KY9G0A03839	0025338
1F66F5KY5G0A03840	0025339
1F66F5KY7G0A03841	0025340
1F66F5KY9G0A03842	0025341
1F66F5KY0G0A03843	0025342
1F66F5KY2G0A03844	0025343
1F66F5KY4G0A03845	0025344
1F66F5KY6G0A03846	0025345
1F66F5KY8G0A03847	0025346

VIN NUMBER	UNIT #
------------	--------

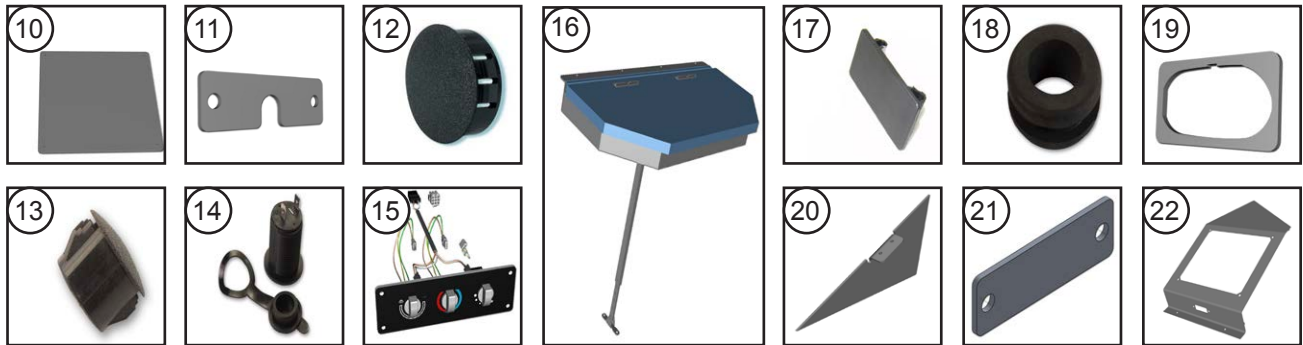
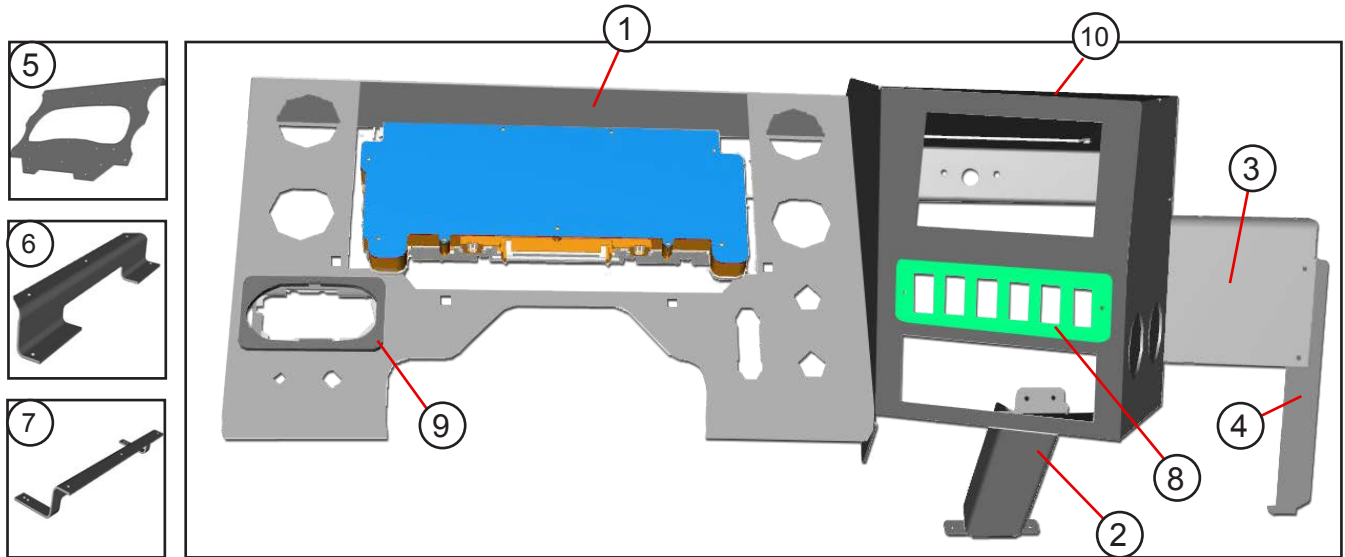
1F66F5KYXG0A03848	0025347
1F66F5KY3G0A02962	0025315
1F66F5KY1G0A03849	0025348
1F66F5KY8G0A03850	0025349
1F66F5KY6G0A02972	0025325
1F66F5KY9G0A04179	0025350
1F66F5KY5G0A04180	0025351
1F66F5KY7G0A04181	0025352
1F66F5KY9G0A04182	0025353
1F66F5KY0G0A04183	0025354
1F66F5KY2G0A04184	0025355
1F66F5KY4G0A04185	0025356
1F66F5KY9G0A03310	0025357
1F66F5KY0G0A03311	0025358
1F66F5KY2G0A03312	0025359
1F66F5KY4G0A03313	0025360
1F66F5KY6G0A03314	0025361
1F66F5KY8G0A03315	0025362
1F66F5KYXG0A03316	0025363
1F66F5KY1G0A03317	0025364
1F66F5KY3G0A03318	0025365
1F66F5KY5G0A03319	0025366
1F66F5KY1G0A03320	0025367
1F66F5KY6G0A04186	0025368
1F66F5KY3G0A03321	0025369
1F66F5KY5G0A03322	0025370
1F66F5KY7G0A03323	0025371
1F66F5KY8G0A02987	0025372
1F66F5KYXG0A02988	0025373
1F66F5KY9G0A03324	0025374
1F66F5KY1G0A02989	0025375
1F66F5KY0G0A03325	0025376
1F66F5KY2G0A03326	0025377
1F66F5KY4G0A03327	0025378
1F66F5KY6G0A03328	0025379
1F66F5KY8G0A03329	0025380
1F66F5KY4G0A03330	0025381



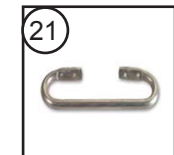
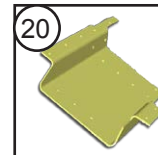
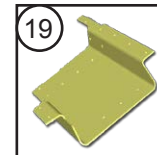
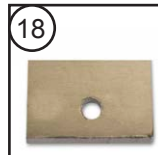
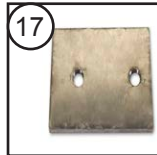
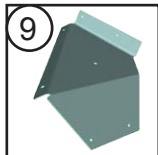
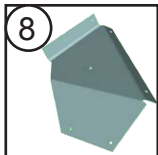
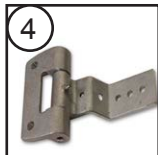
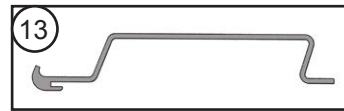
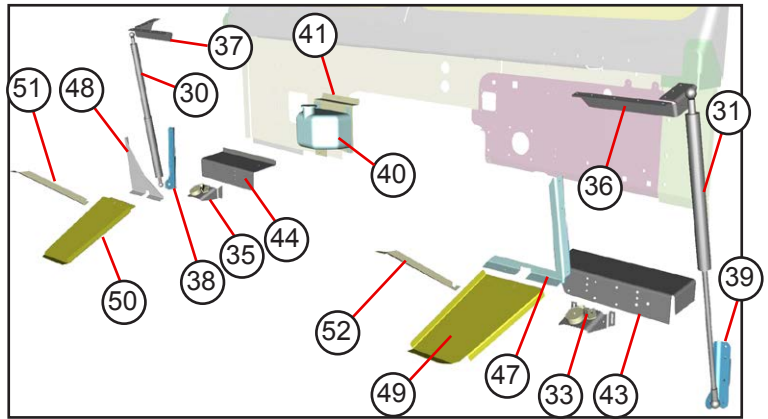
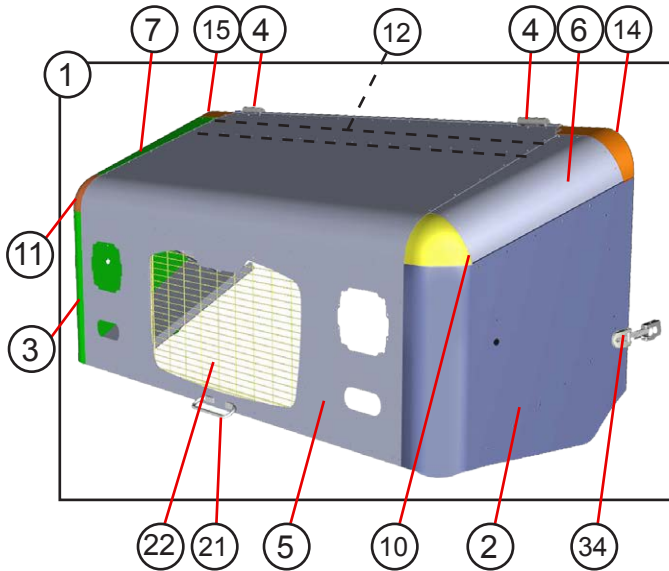
ITEM #	PART #	DESCRIPTION	QTY.	UNIT
1	115005224	CAB ASSEMBLY	1	EA
2	115005404	PLATE ENGINE BOX SADDLE AL.125X15.74X24.07	1	EA
3	077050402	SHIM AL .25X1.62X20.8	1	EA
4	115005403	ENGINE BOX SIDE ROADSIDE AL.102X19.26X27.88	1	EA
5	115005405	TOE BOARD ROADSIDE AL.125X6.76X34.53	1	EA
6	115005406	ADAPTER TOE BOARD AL.102X7.24X45.63	1	EA
8	115005402	ENGINE BOX TOP AL.125X15.88X33.04	1	EA
9	098005501	ENGINE BOX HOUSING AL.102X20.85X32.55	1	EA
10	115005415	TOE BOARD CURBSIDE AL.102X28.09X29.44	1	EA
11	115005400	DASH WALL CURBSIDE AL.125X25.89X60.38	1	EA
12	115005401	DASH WALL ROADSIDE AL.125X8.46X30.45	1	EA
13	8502000	CORNER CASTING CURBSIDE	1	EA
14	8502001	CORNER CASTING ROADSIDE	1	EA
15	083023402	WINDSHIELD RAIL AL 851100X89	1	EA
16	083005418	SUPPORT RAIL ROADSIDE AL.102X5.74X8.27	1	EA
17	083005419	SUPPORT RAIL CURBSIDE AL.102X5.74X8.27	1	EA
18	077050400	STIFFENER ROADSIDE AL.125X10.93X17.81	1	EA
19	077050401	STIFFENER CURBSIDE AL.125X10.93X17.81	1	EA
20	093005512	DASH SHELF AL.125X13.74X89	1	EA
21	115005417	CAB SKIRT ROADSIDE AL.07X27.29X30.57	1	EA
22	093005440	CAB SKIRT CURBSIDE AL.07X27.28X30.57	1	EA
23	47008545	VENT 2 WAY HINGE-LESS	1	EA
24	47008548	GASKET VENT	1	EA
25	115005416	GUSSET TOE BOARD CURBSIDE AL.125X7.84X14.44	1	EA
26	115005409	FILLER SADDLE LOWER RS AL.125X11.66X14.49	1	EA
27	115005408	SADDLE FILLER AL.125X9.6X13.06	1	EA
28	47007859	HINGE OFFSET	2	EA
29	47000932	LATCH ADJUSTABLE DRAW ZIP STEEL	2	EA
30	117028400	SHIM ENGINE BOX	2	EA
31	145028400	PANEL ENGINE BOX LID AL.102X20.3X33.06	1	EA
32	115005420	CASTING TRANSITION F59	1	EA
33	115084402	BRACKET FUSE BOX AL.102X6.4X8.66	1	EA



ITEM #	PART #	DESCRIPTION	QTY.	UNIT
1	088055207	WINDSHIELD ASSEMBLY 85H93W CARGO VENT	1	EA
2	083023402	WINDSHIELD RAIL (SEE PAGE 4 ITEM 15)	1	EA
3	088055433	FRAME WINDSHIELD CURBSIDE AL .102X53.45X70.25	1	EA
4	077055404	STIFFENER W/S AL 450540X44.25	2	EA
5	077055401	POST W/S CENTER AL 450540X44.84	1	EA
6	088055405	FRAME WINDSHIELD ROADSIDE AL .102X53.45X69.95	1	EA
7	077055402	GUSSET FRAME AL .125X6.49X7.27	1	EA
8	998555329	GUSSET FRAME AL .125X4.6X9.19	1	EA
9	088076449	BRACKET, MOUNTING AL.102X2.36X3.9	1	EA
10	097076488	COVER WIPER MOTOR UPPER AL.102X15.06X59.84	1	EA
11	120076400	COVER WIPER MOTOR LOWER AL.102X17.54X59.84	1	EA
12	097076461	COVER WIPER CURBSIDE AL.102X13.65X20.53	1	EA
13	097076436	PLATE COVER AL.070X6X10	2	EA
14	097076435	PLATE COVER	1	EA
15	097076437	PLATE COVER	1	EA
16	120076000	COVER WIPER MOTOR INSTALLATION	1	EA
17	48000504	FILTER FM	2	EA
18	96756400	GLASS WINDSHIELD	2	EA
19	006756400	GLASS SIDE TRIANGLE	2	EA
20	44004303	WEATHER STRIPPING LS-1660 X147.5	2	EA
20	44004309	WEATHER STRIPPING LS-1660 X86.25	2	EA
NS	1109001	INSULATION FIBERGLASS	7.25	FT
NS	083011470	ROOF LINER FRONT EMBOSSED .023X39X86.99	1	EA
NS	100011400	POLYESTER FILL ROOF LINER 4X22.5	3	EA
21	47006610	CLIPS PUSH IN .45HEADX.64	52	EA
22	47008802	DUCT VENT INTERIOR CAB/CARGO	1	EA
23	94010316	REINFORCEMENT VENT	2	EA
24	47008547	LOUVER ROUND	2	EA
25	47008546	PANEL MOUNT LOUVER	2	EA



ITEM #	PART #	DESCRIPTION	QTY.	UNIT
1	135027206	I/P WELDMENT F59 W/DOUBLE DIN RADIO	1	EA
2	125027413	BRACKET REINFORCEMENT I/P AL.102X4.32X11.31	1	EA
3	125027416	BRACKET MOUNTING AL.102X7.71X10.08	1	EA
4	122027401	BRACE AL.102X1.9X12.62	1	EA
5	115027414	PLATE FACE IP AL.102X11.99X18.39	1	EA
6	115027401	IP CLUSTER MOUNT AL.102X3.36X14.5	1	EA
7	115027402	IP CLUSTER MOUNT AL.102X4.86X16.14	1	EA
8	118027417	PLATE ROCKER SWITCH	1	EA
9	115027406	BRACKET LOCK AL.125X2.78X4.95	1	EA
10	128027421	PLATE ACC COVER RADIO AL.102X9X11	1	EA
11	135093401	PLATE COVER I/P BACK AL.102X1X3	1	EA
12	1111513	PLUG HL BLACK	1	EA
13	1111520	PLUG HL BLACK	1	EA
14	46026378	RECEPTICLE 12V POWER W/TETHER SS BODY	1	EA
15	555001413	PANEL CONTROL HEATER (SEE PAGE 27)	1	EA
16	47009283	SHELF WORK STATION ASSEMBLY W/DIVIDER & LOCK	1	EA
17	46023506	PLUG ROCKER SWITCH BLACK	3	EA
18	46004416	GROMMET 1ID .25 MATERIAL THICKNESS	2	EA
19	115027407	BRACKET SPACER STL.25X3.14X5.45	1	EA
20	118027415	GUSSET AL .125X5.72X11.26	1	EA
21	155027400	COVER TOP I/P BLACK AL .102X1X3	1	EA
22	135027400	COVER TOP I/P AL .102X12.78X20.47	1	EA

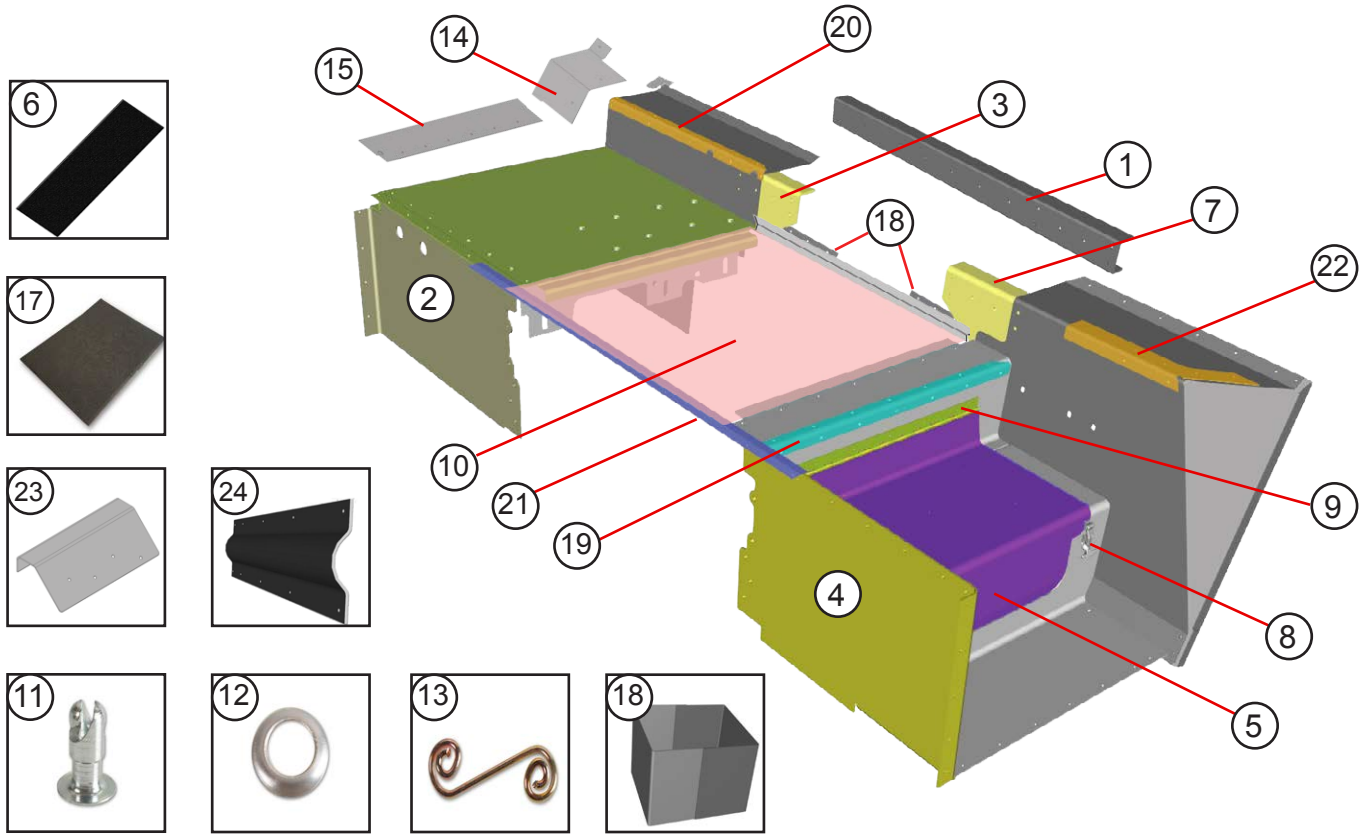


ITEM #	PART #	DESCRIPTION	QTY.	UNIT
1	108017203	HOOD ASSEMBLY	1	EA
2	088017414	HOOD SKIRT AL .07X30.78X33.11 ROADSIDE	1	EA
3	088017415	HOOD SKIRT AL .07X30.78X33.11 CURBSIDE	1	EA
4	47007852	HINGE ASSEMBLY	2	EA
5	108017402	PANEL HOOD FCC AL.07X53.36X75	1	EA
6	088017416	COWL HOOD ROADSIDE AL .07X15.91X22.28	1	EA
7	088017417	COWL HOOD CURBSIDE AL .07X15.91X22.28	1	EA
8	95817312	GUSSET CORNER ROADSIDE AL .07X13.52X14.72	1	EA
9	95817313	GUSSET CORNER CURBSIDE AL .07X13.52X14.72	1	EA
10	45100057	CORNER CAST KNEE COWL FRONT ROADSIDE	1	EA
11	45100058	CORNER CAST KNEE COWL FRONT CURBSIDE	1	EA
12	088017447	STIFFENER HOOD AL 450015X71.62	1	EA
13	45001500	BRACKET HOOD AL HOOD X69.77	1	EA
14	45100060	CAP COWL END ROADSIDE	1	EA
15	45100061	CAP COWL END CURBSIDE	1	EA
17	91617304	PLATE TAP AL .188X2X2.69	2	EA
18	96717312	SHIM HOOD AL .125X.62X1.88	2	EA
19	115017403	STIFFENER HOOD ROADSIDE	1	EA
20	115017404	STIFFENER HOOD CURBSIDE	1	EA
21	90187300	GRAB HANDLE .5DIA X15.7	1	EA
22	45700101	MESH GRILLE AL 20.5X38.81	1	EA
NS	135017403	PLATE GRILL AL.07X1.5X39	2	EA
NS	44004077	SEAL TAPE #1458BTXFT	4.42	FT

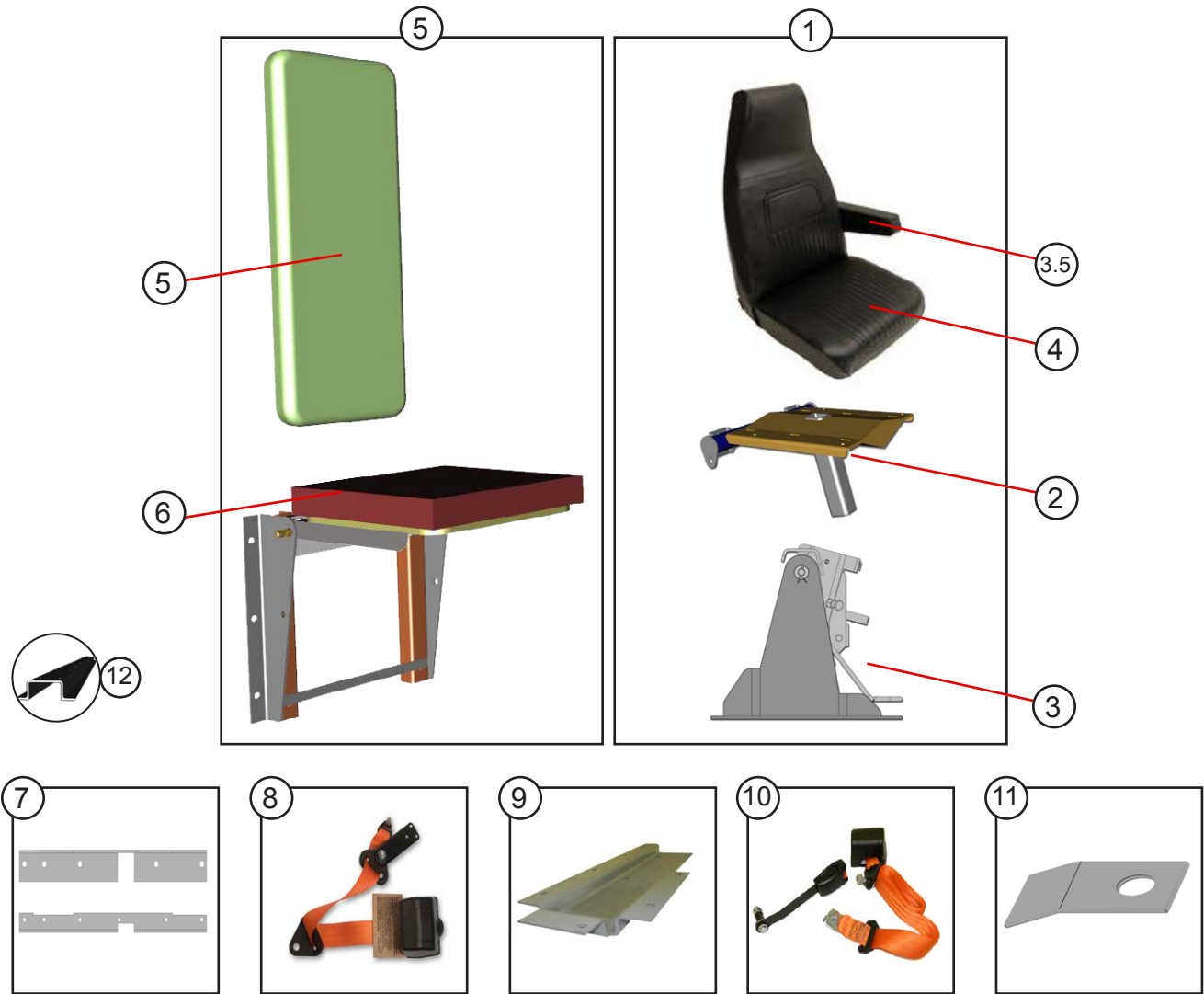




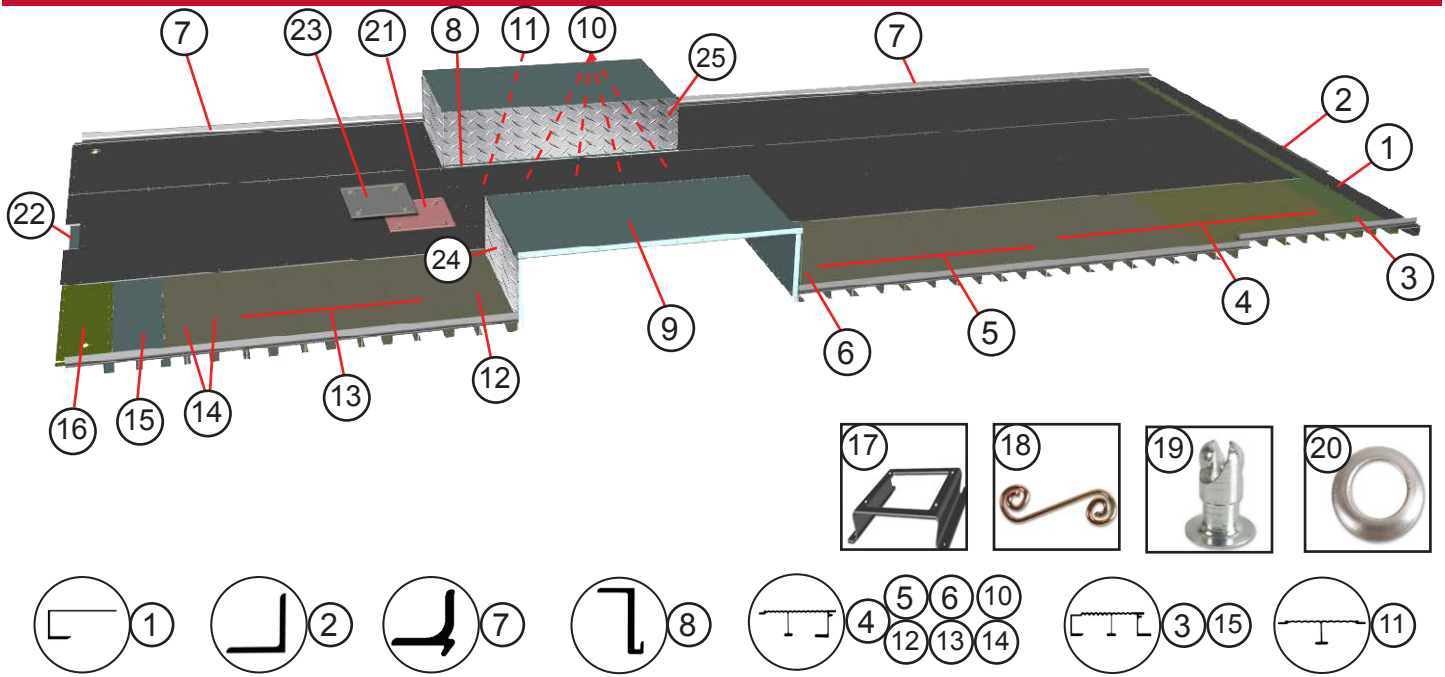
ITEM #	PART #	DESCRIPTION	QTY.	UNIT
29	44002004	BUMPER RUBBER HOOD REST	2	EA
30	47006116	GAS SPRING WITH LOCK 140LB 20/12 IGS	1	EA
31	47006117	GAS SPRING WITH OUT LOCK 140LB 20/12 IGS	1	EA
32	40900019	STUD BALL SUSPENSION	4	EA
33	96713300	ANGLE STEEL STOP HOOD REST 11GAX1.85X4.74	2	EA
34	47000613	HOOD LATCH	2	EA
35	077150400	BRACKET SUPPORT HOOD REST 11GAX5.53X9.62	2	EA
36	124016401	BRACKET GAS SPRING AL.125X3.6X16.48 ROADSIDE	1	EA
37	124016402	BRACKET GAS SPRING AL.125X3.6X16.48 CURBSIDE	1	EA
38	124016403	BRACKET HOOD LOWER AL.188X2.85X6.4 CURBSIDE	1	EA
39	124016404	BRACKET HOOD LOWER AL.188X2.85X6.4 ROADSIDE	1	EA
40	47004137	WASHER BOTTLE WITH PUMP	1	EA
41	003705413	WASHER BOTTLE MOUNTING PLATE	1	EA
42	45700101	MESH GRILL 20.5X38.81	1	EA
43	115026400	SPLASH PAN ROADSIDE	1	EA
44	077260404	SPLASH PAN CURBSIDE	1	EA
45	43000903	HOOD PROPER INSTRUCTIONS LABEL	1	EA
46	088017261	SUPPORT ASSEMBLY GRILL	1	EA
47	108017407	SUPPORT SPLASH PAN AL.102X16.83X17.57 LH	1	EA
48	108017408	SUPPORT SPLASH PAN AL.102X16.83X17.57 RH	1	EA
49	108017405	SPLASH PAN AL.102X21.5X26.95 LH	1	EA
50	108017406	SPLASH PAN AL.102X21.5X26.95 RH	1	EA
51	088017437	STRAP AL .125X2.98X25.76 ROADSIDE	1	EA
52	088017438	STRAP AL .125X2.98X25.76 CURBSIDE	1	EA



ITEM #	PART #	DESCRIPTION	QTY.	UNIT
1	077240400	CROSS MEMBER CENTER AL 456106X41	1	EA
2	145024200	STEP ASSEMBLY ROADSIDE 93W F59	1	EA
3	115024402	CHANNEL CROSS MEMBER ROADSIDE	1	EA
4	115024202	STEP ASSEMBLY CURBSIDE 93W F59	1	EA
5	115024411	LID BATTERY ALD.125X22.25X22.78	1	EA
6	96724608	DAMPENING PAD 45200007X9X20	1	EA
7	115024403	CHANNEL CROSS MEMBER CURBSIDE ALE 456109X27	1	EA
8	1113334	LATCH STEPS	2	EA
9	006324498	HINGE AL .075X1.12X1.75X21	1	EA
10	105024209	TRANSVERSE FLOOR WELDMENT	1	EA
11	40900080	STUD	6	EA
12	40900081	GROMMET HALF	6	EA
13	40900082	SPRING	6	EA
14	083005459	PLATE FILLER AL .07X5.83X13.64 LH	1	EA
15	083005452	PLATE FILLER AL .07X4.08X27.58	1	EA
17	42002055	INSULATION SOUND ABSORBING FLOOR MAT 60X95	2	EA
18	147024418	SHIELD SPLASH BATTERY 45200014X11X17	1	EA
23	147024417	BRACKET SPLASH SHIELD	1	EA
19	090019403	TREAD STEP ALD.08X2.68X27.25 CURBSIDE	1	EA
20	118019400	TREAD TOE BOARD ALD.08X2.63X30.58 ROADSIDE	1	EA
21	118019404	TREAD MAT @ O LINE ALD. .08X2.29X63.41	1	EA
22	118019403	TREAD TOE-BOARD AL.07X7.89X22.64 CURBSIDE	1	EA
24	03M545058	STIFFENER SLIDING WINDOW AL 450003X29.5 DLH	2	EA



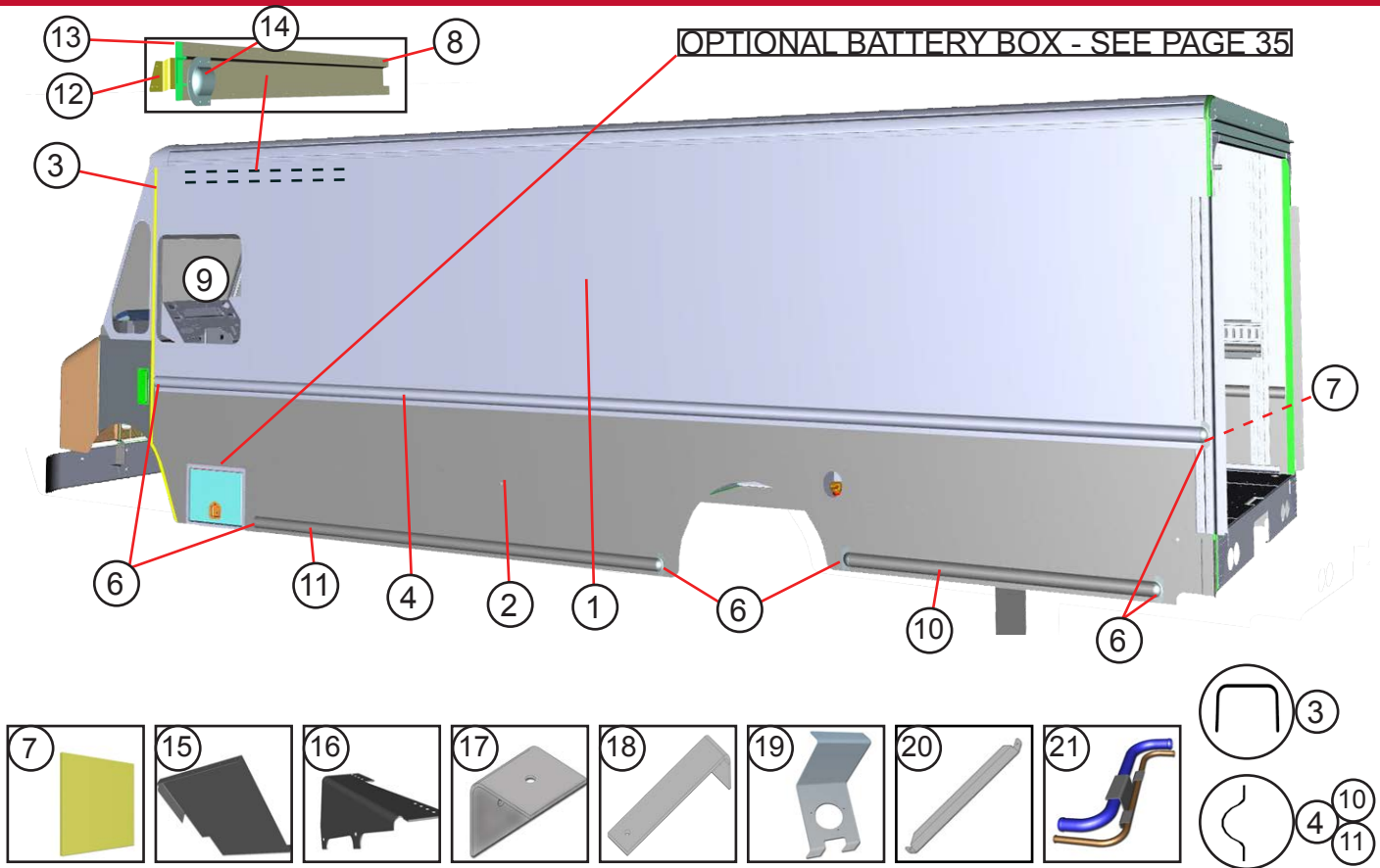
ITEM	PART #	DESCRIPTION	QTY.	UNIT
1		<b>DRIVER SEAT</b>		
2	47004332	SEAT BASE/PEDESTAL	1	EA
3	47012658	SEAT SOCKET ASSEMBLY 3PNT	1	EA
3.5	47011202	SEAT VINYL BLACK ARM REST	1	EA
4	47004971	SEAT VINYL BLACK DRIVER LUMBAR	1	EA
		<b>JUMP SEAT</b>		
5	47004972	SEAT HEAD BACK/REST TFTX BLACK	1	EA
6	47004973	SEAT TFTX BLACK FOLDING 16IN. CENTER	1	EA
7	91614300	ANGLE MOUNTING .188X2.84X19.1	1	EA
8	48007902	SEAT BELT 3PNT W/7IN D LOOP	1	EA
9	98M582030	BRACE SUPPORT STEEL 7GAX9.43X23.43	1	EA
10	47007912	SEAT BELT W/BOOT 3PNT ORANGE	1	EA
11	130070403	WASHER JUMP SEAT BASE AL.125X1.5X1.6	2	EA



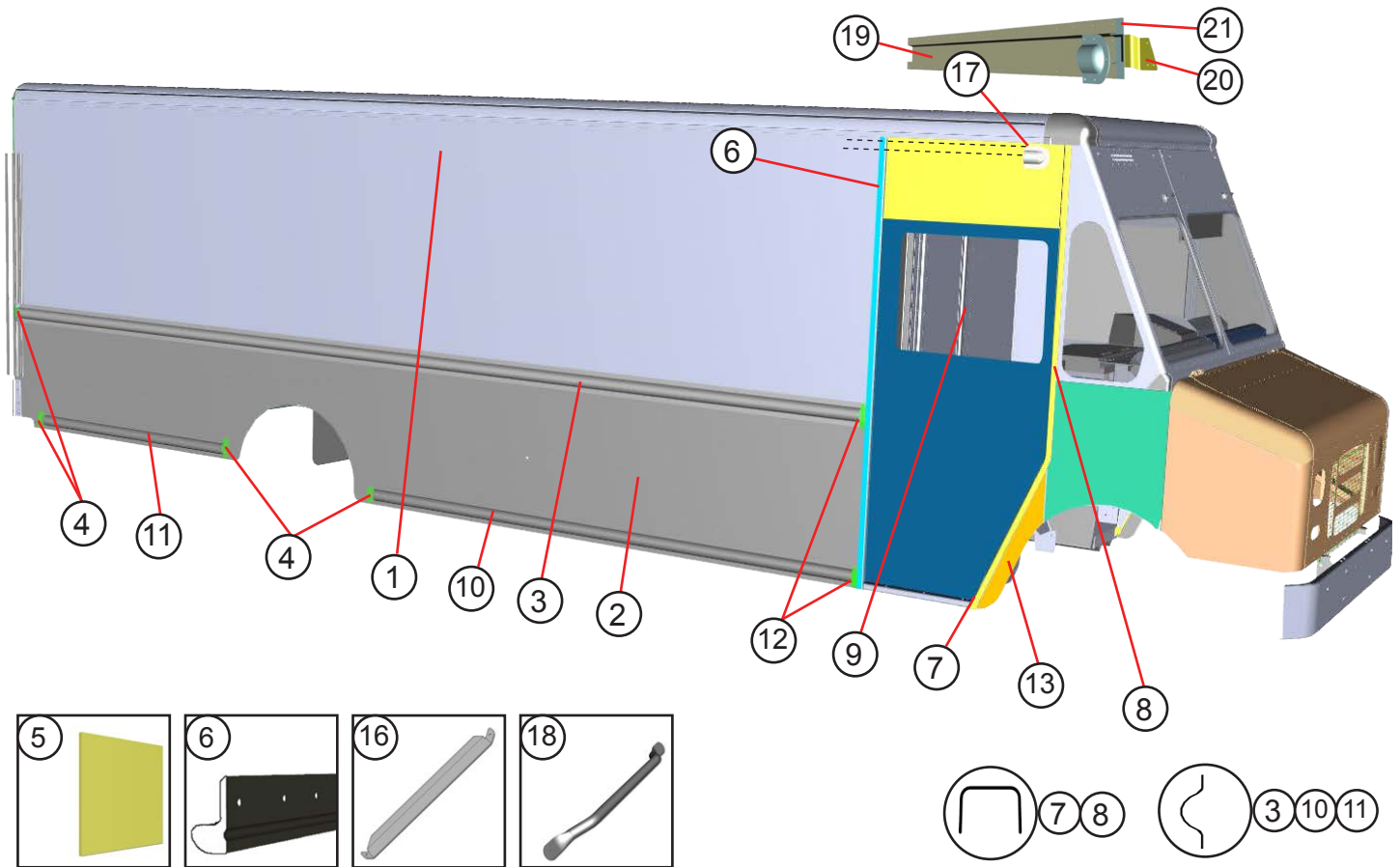
ITEM #	PART #	DESCRIPTION	QTY	UNIT
1	083033509	BEAM @ O LINE AL 450088X89.38	1	EA
2	001730412	ANGLE STEP	1	EA
3	45051003	BEAM AL FLOOR FEM-LAP 7X92.19	1	EA
4	45040203	BEAM AL FLOOR M-FEM 8X92.1	9	EA
5	45040103	BEAM AL FLOOR M-FEM 9X92.19	6	EA
6	45040503	BEAM AL FLOOR M-FEM 8.5X92.19	1	EA
7	45030300	ANGLE ATTACH FLOOR TO SIDE X241	2.09	EA
8	95869302	ANGLE W/BX ATTACH AL 450018X44	2	EA
9	95869202	W/BX A 93W 10" AL .102	2	EA
10	95869303	BEAM AL FLOOR H/D RIB 9X91.19	4	EA
11	95869304	BEAM AL FLOOR RIB 8X55.62	1	EA
12	45040503	BEAM AL FLOOR H/D RIB 8.5X92.19	1	EA
13	45040103	BEAM AL FLOOR M-FEM 9X92.19	5	EA
14	45040203	BEAM AL FLOOR M-FEM 8X92.1	2	EA
15	45051003	BEAM AL FLOOR FEM-LAP 7X92.19	1	EA
16	128033416	PLATE FILLER REAR AL.102X7.3X92.19	1	EA
17	125012401	SUPPORT ACCESS DOOR AL.125X11.48X17.74	1	EA
18	40900082	SPRING	4	EA
19	40900080	STUD	8	EA
20	40900081	GROMMET HALF	8	EA
21	095032209	ACCESS DOOR ASSEMBLY	1	EA
22	89308450	ANGLE TIE DOWN REAR STEEL .25X2X3X47	1	EA
23	145100417	PANEL ACCT. DOOR OVERLAY ALD.125X10.49X12.5 (ABOVE ITEM 21)	1	EA
24	073101402	WHEEL BOX OVERLAY FRONT AND REAR ALD.08X9.75X24.52	4	EA
25	073101403	WHEEL BOX OVERLAY CENTER PANELS ALD.08X9.62X49.21	2	EA

**FLOOR OVERLAY - DIAMOND PLATE**

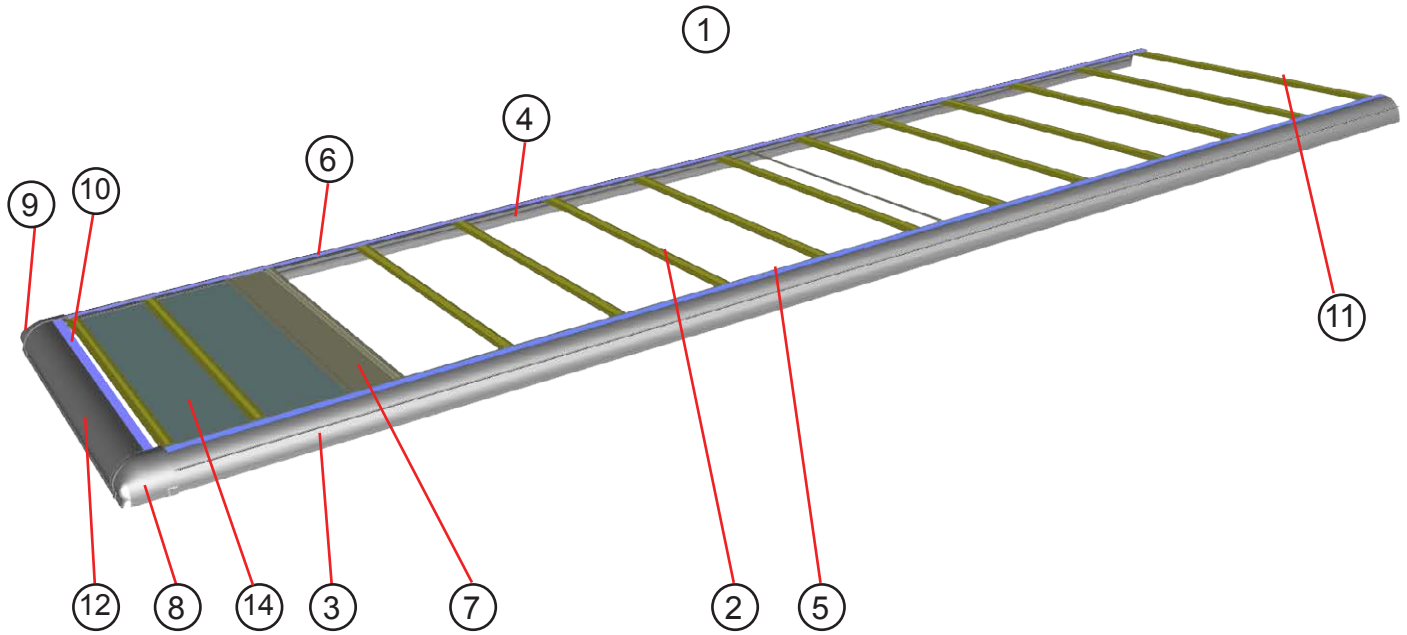
FRONT ROADSIDE	FRONT CENTER	FRONT CURBSIDE	REAR ROADSIDE	REAR CENTER	REAR CURBSIDE
138100452	145100415	138100450	138100455	145100416	138100453



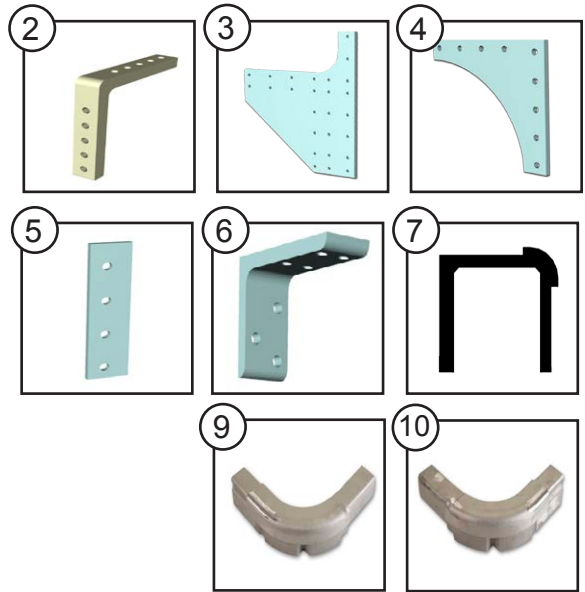
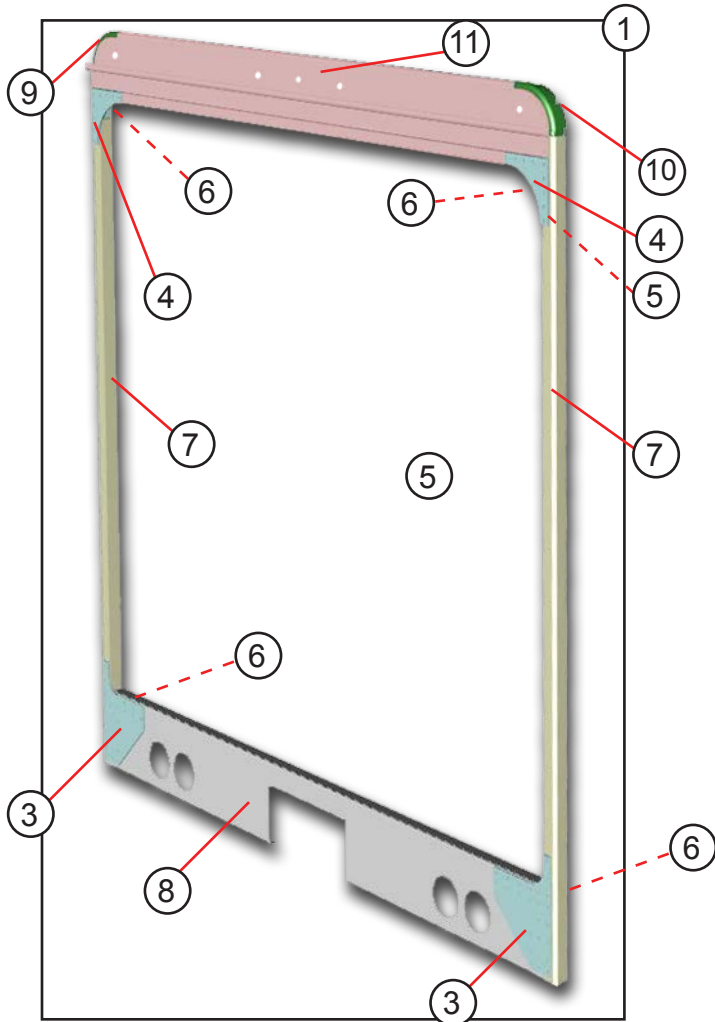
ITEM #	PART #	DESCRIPTION	QTY	UNIT
1	088046432	SIDE UPPER AL .102X60X314.31	1	EA
2	155045407	SIDE LOWER (CALL FOR REAR QUARTER PANEL ONLY)	1	EA
3	088044200	D POST ASSEMBLY (TOP 088044402 - BOTTOM 088044403)	1	EA
4	088039333	RUB RAIL UPPER	1	EA
5	1100800	END CAP FORWARD	1	EA
6	1100799	END CAP REAR	5	EA
7	7600165	FILLER PLATE (UNDER RUB RAIL END-CAPS)	2	EA
8	137042000	STIFFENER ASSEMBLY	1	EA
9	45800062	WINDOW SLIDING	1	EA
10	148039435	RUB RAIL LOWER REAR AL 450002X70.32	1	EA
11	140110400	RUB RAIL LOWER FWD AL 450002X135.5	1	EA
12	96742302	CLIP AL Z .102X3X9.57	1	EA
13	45100074	CAP RAIL END	1	EA
14	47008533	VENT CAP	1	EA
15	115012403	SPLASH PAN FUEL FILL AL.102X27.21X28.42	1	EA
16	115012406	HANGER ANGLE EXTENSION AL.07X6.6X12.96	1	EA
17	82312025	SUPPORT S/PAN	1	EA
18	118012401	SUPPORT FUEL FILL	1	EA
19	115012402	BRACKET FUEL FILL SUPPORT AL.25X11.25X13.36	1	EA
20	001744400	GUSSET FLOOR TO SIDE	5	EA
21	115012400	FUEL FILL EXTENSION F59	1	EA



ITEM #	PART #	DESCRIPTION	QTY	UNIT
1	088038332	SIDE UPPER	1	EA
2	155037412	SIDE LOWER (CALL FOR REAR QUARTER PANEL ONLY)	1	EA
3	088039311	RUB RAIL	1	EA
4	1100799	END CAP REAR	4	EA
5	7600165	FILLER PLATE (UNDER RUBRAIL ENDCAP)	2	EA
6	077400401	B POST 85H AL 450274X99.62	1	EA
7	SEE PG 18	DOOR POST BOTTOM	1	EA
8	SEE PG 18	DOOR POST TOP	1	EA
9	45800063	WINDOW SLIDING SASH	1	EA
10	140110400	RUBRAIL LOWER FORWARD AL450002X135.5	1	EA
11	148039435	RUBRAIL LOWER REAR AL450002X70.32	1	EA
12	1100800	END CAP FORWARD	2	EA
13	098022401	SKIRT TAIL CURBSIDE	1	EA
NS	45210009	PANEL DOOR INNER PLASTIC 39.4X40.02RH	1	EA
NS	42002001	INSULATION RFLT X 4FT X 3.25FT	1	EA
16	001744400	GUSSET FLOOR TO SIDE	5	EA
17	47008533	VENT CAP	1	EA
18	47001063	GRAB HANDLE 1" AL 31.875L 2.75DP ANZ	1	EA
19	083042401	STIFFENER HEADER AL450328X73.75 RH	1	EA
20	96742302	CLIP AL Z .102X3X9.57 (SEE PG12 ITEM12)	1	EA
21	45100074	CAP RAIL END VENT (SEE PG12 ITEM13)	1	EA

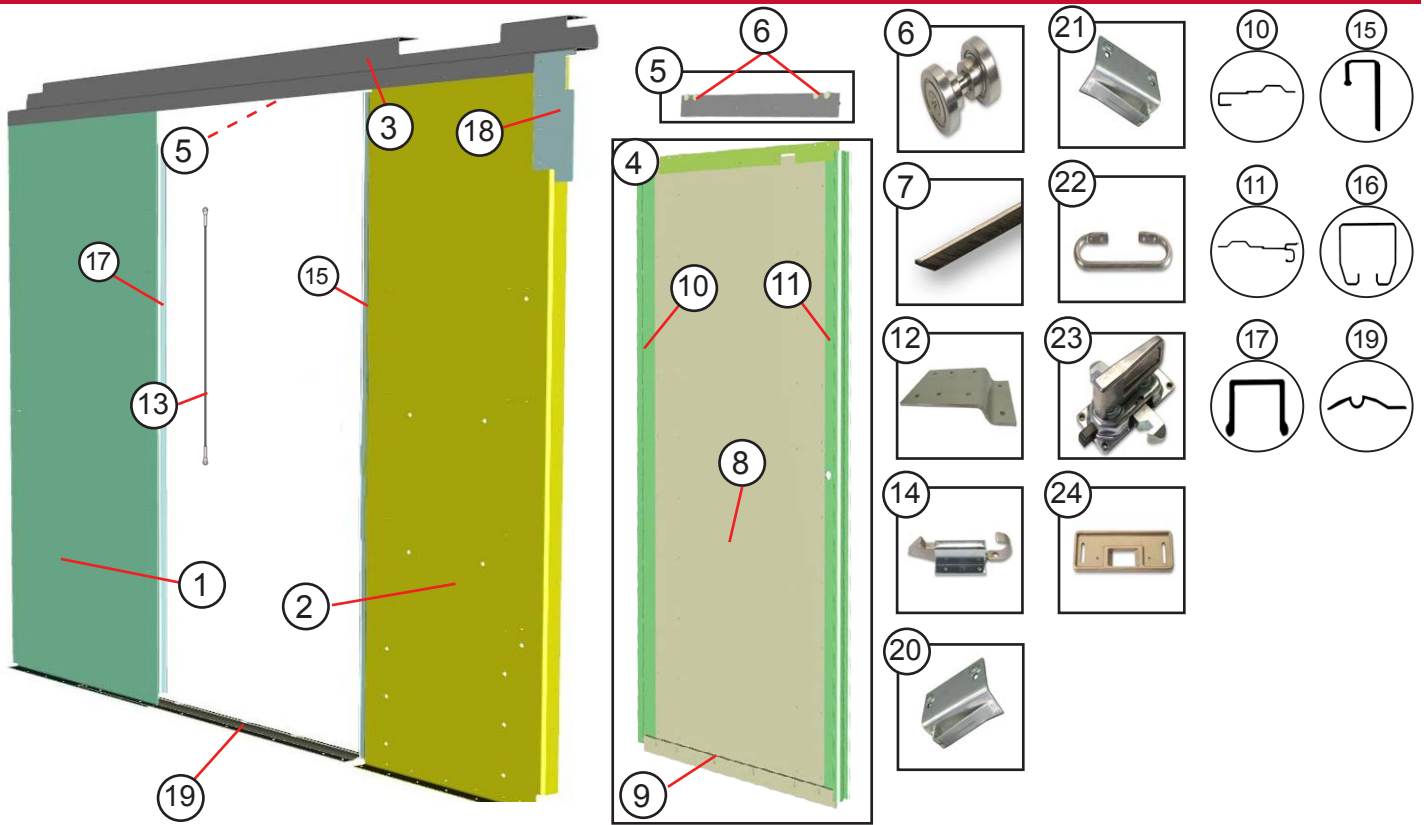


ITEM #	PART #	DESCRIPTION	QTY	UNIT
1	088010034	ROOF ASSEMBLY 22' 93W	1	EA
2	45601603	ROOF BOW STEEL 16GA SEC456016 X89.12	13	EA
3	098010421	ROOF RAIL 22' 456144X309.25 ROADSIDE	1	EA
4	098010422	ROOF RAIL 22' 456144X309.25 CURBSIDE	1	EA
5	088010524	RAIL INTERLOCK ROADSIDE	1	EA
6	088010525	RAIL INTERLOCK CURBSIDE	1	EA
7	89310478	ROOF BEAM @ O LINE	1	EA
8	077100400	CORNER CASTING ROADSIDE	1	EA
9	077100401	CORNER CASTING CURBSIDE	1	EA
10	89310506	NOSE ROOF INTERLOCK	1	EA
11	89310507	ROOF INTERLOCK TRANSOM	1	EA
12	083010400	ROOF NOSE	1	EA
NS	45200851	ROOF SKIN FIBERGLASS .075X82.25XFT	25.98	FT
14	083011470	ROOF LINER INSTALLATION FIBERGLASS	1	EA
15	47006610	CLIP PLASTIC FLAT HEAD	52	EA

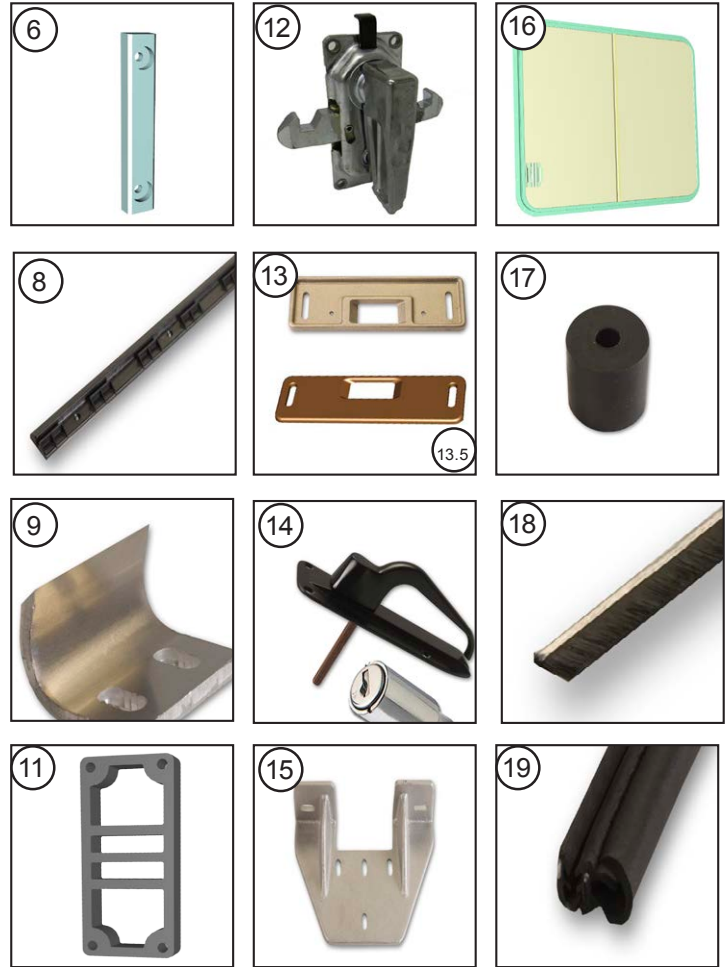
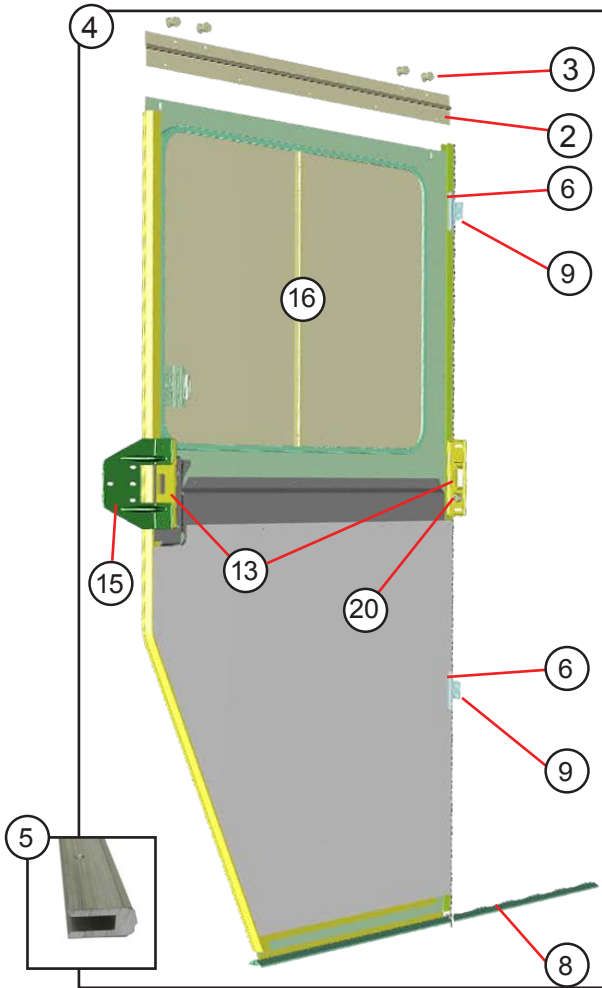


ITEM #	PART #	DESCRIPTION	QTY	UNIT
1	118053003	BACK ASSEMBLY 85H 93W F/O RUD N/LAMP N/BX	1	EA
2	1126108	ANGLE .62X5.75X5.75X1	2	EA
3	7400206	GUSSET RUD LOWER .25X9.88X13.5	2	EA
4	7400207	GUSSET RUD UPPER .25X7.12X7.38	2	EA
5	7400208	SHIM GUSSET .188X1.38X6	2	EA
6	89353301	CLIP HOLDER 450198X1.25LH/RH	2	EA
7	083053453	CHANNEL POST CORNER AL 450359X92.69	2	EA
8	083053605	SILL REAR 93W AL 450024X88.75	1	EA
9	45100009	CORNER CAST ROADSIDE	1	EA
10	45100010	CORNER CAST CURBSIDE	1	EA
11	083053401	TRANSOM AL 450266X91.62	1	EA

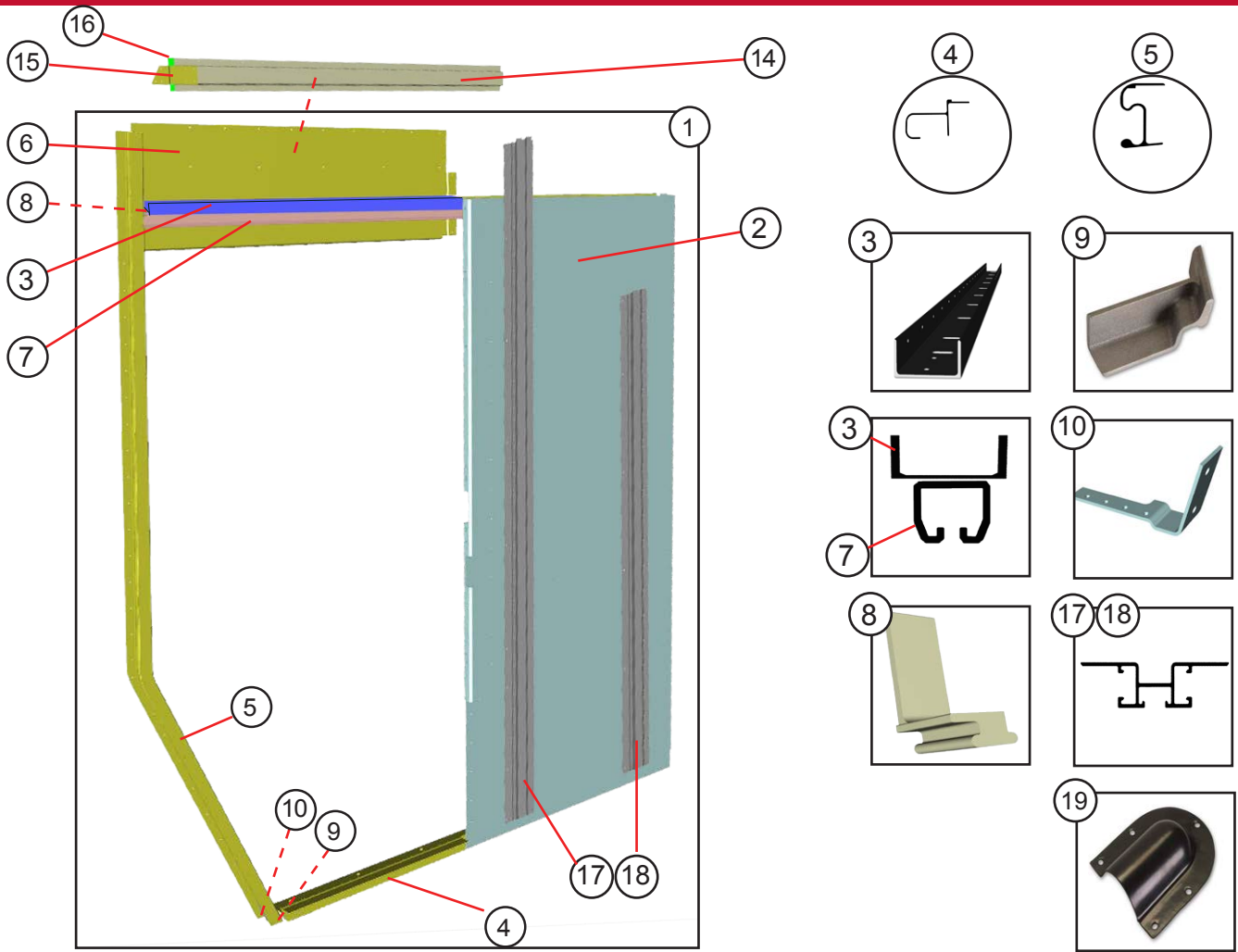




ITEM #	PART #	DESCRIPTION	QTY	UNIT
1	118070406	PANEL BULKHEAD AL.102X35.34X81.17 ROADSIDE	1	EA
2	118070403	PANEL BULKHEAD AL.102X24.13X81.38 CURBSIDE	1	EA
3	118070410	HEADER BULKHEAD ZEE AL.102X8.9X92.4 ROADSIDE	1	EA
4	118070200	DOOR ASSEMBLY BULKHEAD NO/WINDOW F/PULL 32"	1	EA
5	088070252	HANGER ASSEMBLY W/SEAL BULKHEAD 3.34X32.13	1	EA
6	47006595	BEARING ASSEMBLY	4	PR
7	44008050	SEAL BRUSH TYPE B	1	EA
8	118070403	PANEL DOOR BULKHEAD AL.125X29.37X77.26	1	EA
9	088070516	WEAR STRIP BULKHEAD AL452002X33.75	1	EA
10	118070405	EDGE BULKHEAD DOOR AL450504X77.26 CURBSIDE	1	EA
11	118070404	EDGE BULKHEAD DOOR AL450503X77.26 ROADSIDE	1	EA
12	92537309	PLATE MOUNTING LATCH AL .125X3X5.29	1	EA
13	1113603	CABLE BULKHEAD.125X29 BLACK VINYL .375EYE	1	EA
14	1113046	LATCH FINGER PULL	1	EA
15	118070407	CHANNEL BULKHEAD AL450502X76.15 CURBSIDE	1	EA
16	088070251	TRACK DOOR ASSEMBLY 32" SLID	1	EA
17	118070408	JAMB AL450326X78.37 ROADSIDE	1	EA
18	118070411	PLATE BULKHEAD AL.055X3.56X12.29 CURBSIDE	1	EA
19	96770316	GUIDE DOOR FLOOR AL 450414X47.88	1	EA
20	98770201	STRIKER WELDMENT BULKHEAD ASSEMBLY	1	EA
21	98770202	STRIKER WELDMENT BULKHEAD ASSEMBLY	1	EA
22	90187300	GRAB HANDLE	1	EA
23	1113016	LOCK MECHANISM INNER	1	EA
24	45100093	STRIKER BRONZE D/S REAR	2	EA



ITEM #	PART #	DESCRIPTION	QTY.	UNIT
1	118060009	SIDE DOOR INSTALLATION (CURBSIDE)	1	EA
2	96760203	HANGER ASSEMBLY	1	EA
3	47006595	BEARING (SEE PAGE 16 ITEM 6 FOR ILLUSTRATION)	4	PR
4	118060201	SIDE DOOR ASSEMBLY	1	EA
5	98760306	WEATHER STRIP D/S 450008X25.75	1	EA
6	45200206	SPACER ANTI RATTLE	2	EA
NS	120041000	LATCH KIT (INCLUDES ITEMS 11 AND 12)	1	EA
8	47002766	DOOR GUIDE NYLON	1	EA
9	96760318	CLIP ANTI RATTLE	2	EA
10	44004104	SEAL RUBBER RS FORWARD	1	EA
11	087181	KASON SPACER	1	EA
12	1113016	LATCH	1	EA
13	45100093	STRIKER BRONZE CAST D/S REAR	2	EA
13.5	45100163	STRIKER BRONZE CAST D/S REAR	1	EA
14	47000689	HANDLE BLACK (REMOVABLE LOCK CYLINDER 47001181)	1	EA
15	45100094	BRACKET STRIKER CAST D/S	2	EA
16	45800063	WINDOW SLIDING	1	EA
17	44002011	RUBBER BUMPER	1	EA
18	44008050	SEAL BRUSH TYPE B 1X83.9	1	EA
19	1107270	SEAL TR SCHLEG1426-X999	8	FT



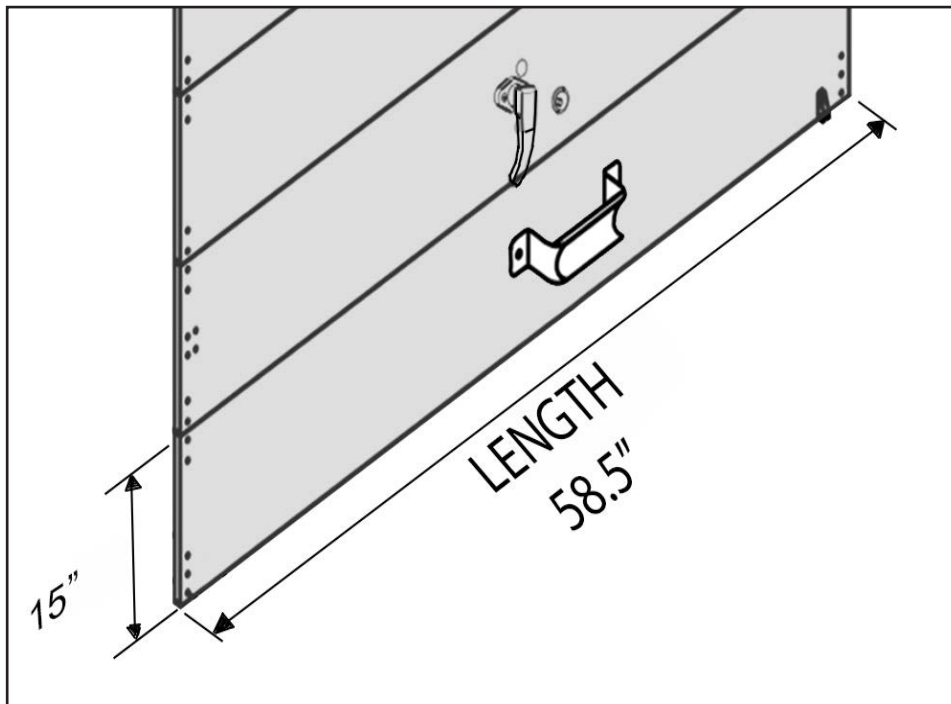
ITEM #	PART #	DESCRIPTION	QTY.	UNIT
1	077041209	DOOR POCKET ASSEMBLY	1	EA
2	118041401	PANEL DOOR POCKET	1	EA
3	96741303	CHANNEL HEADER	1	EA
4	98741353	NOSE STEP	1	EA
5	077410401	DOOR POST	1	EA
6	077410409	PANEL HEADER	1	EA
7	96741202	TRACK ASSEMBLY	1	EA
8	45100049	GUSSET HEADER CHANNEL TO DOOR POST	1	EA
9	45100105	DOOR POST CASTING LOWER	1	EA
10	001741408	REINFORCEMENT BRACKET	1	EA
11	44004060	SEAL BRUSH TYPE C 1.5X82	1	EA
12	44008050	SEAL BRUSH TYPE B 1X83.9	1	EA
NS	45900001	PLUG WOOD RUB RAIL	1	EA
14	083042400	STIFFENER HEADER	1	EA
15	96742302	CLIP ZEE	1	EA
16	45100074	CAP RAIL END	1	EA
17	093048406	STIFFENER 450595X58.5	1	EA
18	093048412	STIFFENER AL 450595X79.5	1	EA
19	47008533	VENT CAP	1	EA

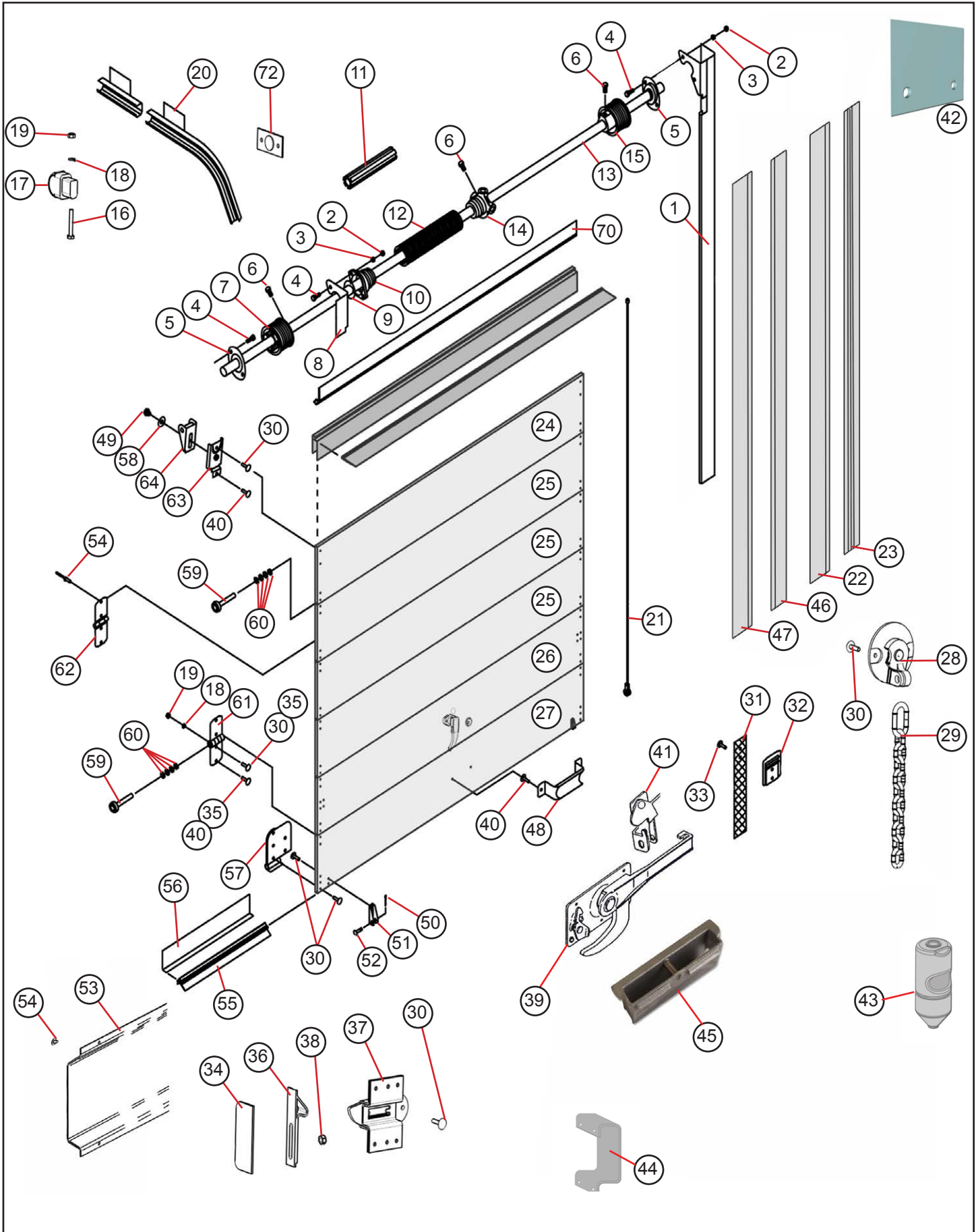


### ROLL-UP DOOR SERIAL NUMBER LOCATION

WHEN ORDERING PARTS FOR ROLL-UP DOORS,  
PLEASE PROVIDE THE FOLLOWING INFORMATION.  
THE SERIAL NUMBER LOCATED ON THE INTERIOR TOP PANEL ROADSIDE EDGE.  
THE LENGTH AND HEIGHT OF THE DOOR PANEL(S) TO BE ORDERED.

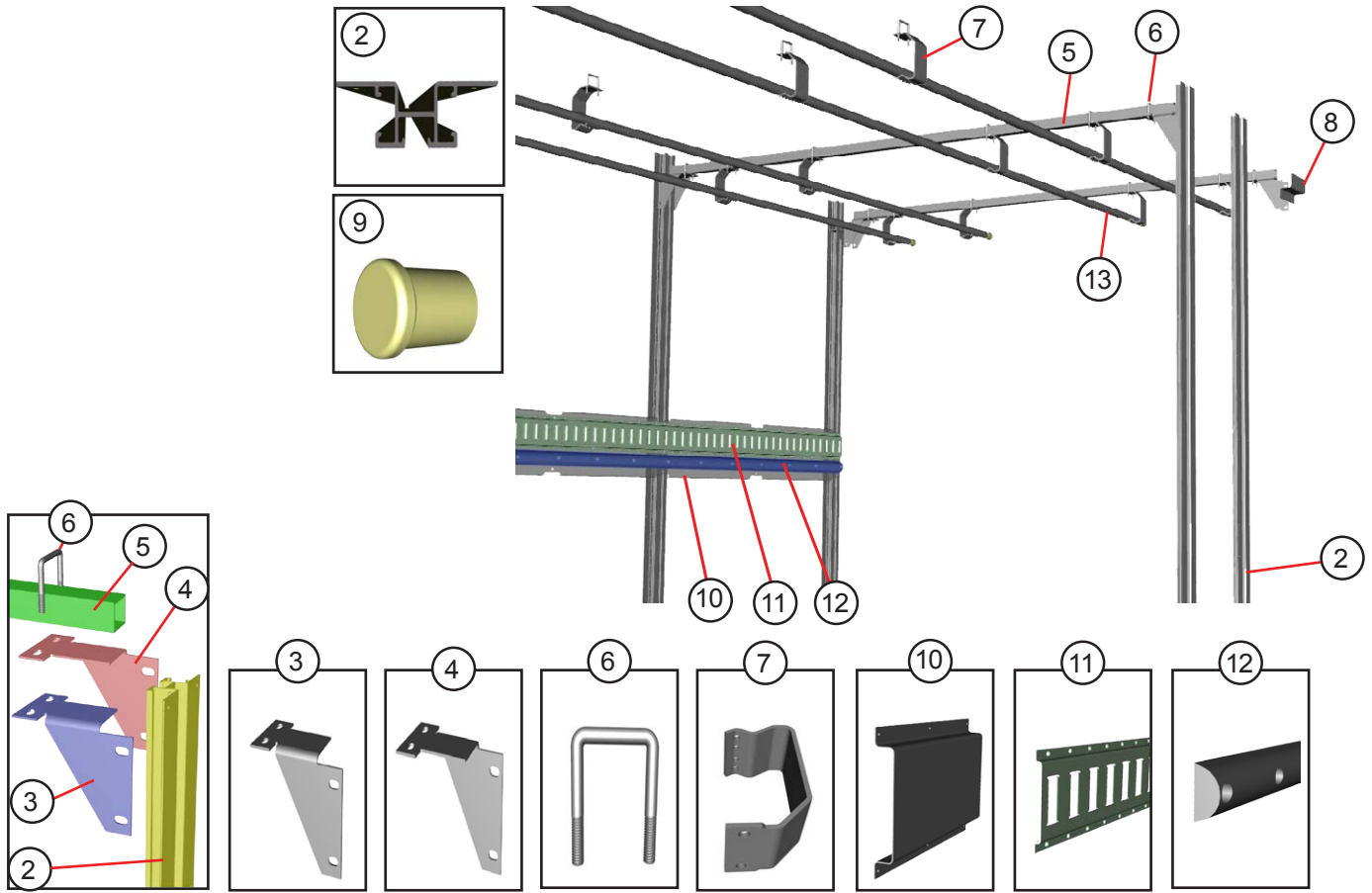
IN THE EVENT OF A DAMAGED, UN-READABLE OR MISSING SERIAL NUMBER,  
PLEASE TRY TO PROVIDE THE COMPOSITION DETAILS OF THE DOOR PANEL.  
(PLASTIC COATED, ALUMINUM CLAD, PLYWOOD, ETC.)





ITEM #	PART #	DESCRIPTION	QTY.	UNIT
	47009612	ROLL-UP DOOR 89X77.5 WEATHER TITE MAX-SECURITY FULL OPEN	1	EA
1	PER S/N	VERTICAL TRACK ASM.- R/H (CURBSIDE) (SPECIFY LENGTH)	1	EA
NS	PER S/N	VERTICAL TRACK ASM.- L/H (ROADSIDE) (SPECIFY LENGTH)	1	EA
2	N/A	HEX NUT - 5/16" NC	6	EA
3	N/A	LOCK WASHER - 5/16"	6	EA
4	N/A	HEX HEAD BOLT - 5/16" NC X 7/8"	6	EA
5	61380	BEARING ASSEMBLY	2	EA
6	47009906	HEX HEAD SET SCREW - 3/8" NC X 7/8"	6	EA
7	1116524	CABLE DRUM - L/H (ROADSIDE)	1	EA
8	61379	SPRING ANCHOR BRACKET	1	EA
9	1116586	BEARING - SPRING ANCHOR PLUG	1	EA
10	47003640	SPRING ANCHOR PLUG - 2 1/2" I.D. SPRING	1	EA
11	N/A	FILLER PLUG - 2 1/2" I.D. SPRING	1	EA
12	47003641	SPRING - 2 1/2" I.D. - #5 X 30" LONG	1	EA
13	47003642	COUNTERBALANCE SHAFT - 58 3/4" LONG	1	EA
14	47003643	SPRING WINDING PLUG - 2 1/2" I.D. SPRING	1	EA
15	1116523	CABLE DRUM - R/H (CURBSIDE)	1	EA
16	N/A	HEX HEAD BOLT - 1/4" NC X 1 3/4"	2	EA
17	47003644	HEAD PROTECTOR	2	EA
18	N/A	LOCK WASHER - 1/4" I.D.	14	EA
19	N/A	HEX NUT - 1/4" NC	14	EA
20	47009727	HORIZONTAL TRACK - R/H (CURBSIDE)	1	EA
N/S	47009728	HORIZONTAL TRACK - L/H (ROADSIDE)	1	EA
21	61384	CABLE ASSEMBLY - 110" LONG	1	PR
22	PER S/N	BRUSH SIDE SEAL - 1" X 85.75" LONG	2	EA
23	PER S/N	BRUSH RETAINER - SIDE SEAL - 87" LONG	2	EA
24	PER S/N	WEATHER TITE TOP PANEL - 10 1/8" X 58 3/4"	1	EA
25	PER S/N	WEATHER TITE INTERM PANEL - 15" X 58 3/4"	3	EA
26	PER S/N	WEATHER TITE INTERM LOCK PANEL ASM. - 15" X 58 3/4"	1	EA
27	PER S/N	WEATHER TITE BOTTOM PANEL - 15" X 58 3/4"	1	EA
28	47003653	SAFETY CHAIN LOCK ASSEMBLY	1	EA
29	76431026	STAINLESS STEEL SAFETY CHAIN W/XM - 3343 SLEEVE	1	EA
30	N/A	RIVET - STAINLESS STEEL - 1 1/8"	28	EA
31	47003674	PULL STRAP - 62" LONG (BLACK)	1	EA
32	47000827	PULL STRAP RETAINER	1	EA
33	N/A	SPLINED CARRIAGE BOLT - 1/4" NC X 1 1/2"	2	EA
34	47003675	CATCH MOUNTING PLATE - R/H (CURBSIDE)	1	EA
N/S	47003676	CATCH MOUNTING PLATE - L/H (ROADSIDE)	1	EA
35	N/A	STEP BOLT - 1/4" NC X 1 1/4" STAINLESS STEEL	8	EA
36	47003677	LOCK CATCH	2	EA
37	47000080	END LATCH - R/H (CURBSIDE)	1	EA

ITEM #	PART #	DESCRIPTION	QTY.	UNIT
N/S	47000081	END LATCH - R/H (ROADSIDE)	1	EA
38	N/A	FLANGE LOCK NUT - 5/16" NC	4	EA
39	4077	CAM LOCK - NO KEEPER	1	EA
40	N/A	RIVET - STAINLESS STEEL - 1" LONG	46	EA
41	7515	KEEPER ASSEMBLY	1	EA
42	7400210	TRACK MOUNTING PLATE	6	EA
43	47009530	DRAIN CHAMBER HDPE	1	EA
44	7400214	BRACKET SPACER DOOR	1	EA
45	45100001	BOX MAX SECURITY STRIKER CAST AL	1	EA
46	47003690	HEAD SEAL RETAINER - 54" LONG	1	EA
47	47106599	BRUSH SIDE SEAL - 1 1/2" BRUSH X 91" LONG	2	EA
48	1116536	LIFT HANDLE	1	EA
49	47009912	E-LOK BOLT - 3/8" NC	2	EA
50	N/A	COTTER PIN - 3/32" DIA.	2	EA
51	47009923	CABLE ANCHOR BRACKET	2	EA
52	1116538	CABLE ANCHOR PIN	2	EA
53	47003682	LOCK COVER - ALUMINUM - 58 1/4" LONG	1	EA
54	N/A	1/4" POP RIVET	30	EA
55	PER S/N	BOTTOM SEAL - HEAVY DUTY - 58 3/4" LONG	1	EA
56	47003684	BOTTOM ANGLE - 53 3/4" LONG	1	EA
57	47003685	HEAVY DUTY BOTTOM FIXTURE - R/H (CURBSIDE)	1	EA
N/S	47003694	HEAVY DUTY BOTTOM FIXTURE - L/H (ROADSIDE)	1	EA
58	N/A	FLAT WASHER - 3/8" I.D.	2	EA
59	61360	ROLLER - SEALED	14	EA
60	47009917	SPACER WASHER - ROLLER	16	EA
61	61419	END HINGE	10	EA
62	61397	CENTER HINGE	10	EA
63	1116531	BASE - ADJUSTABLE TOP FIXTURE	2	EA
64	1116530	SLIDE - ADJUSTABLE TOP FIXTURE	2	EA
70	47106599	SEAL BRUSH HEADER	1	EA

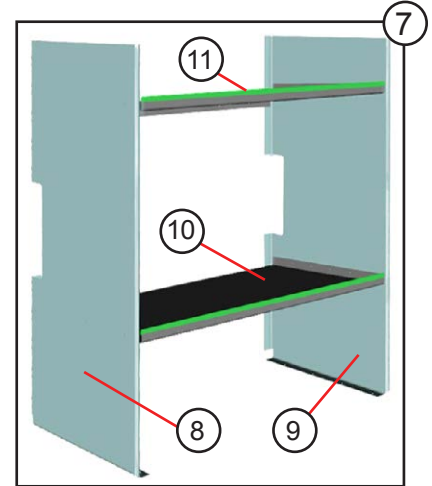
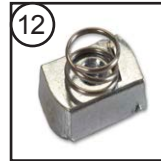
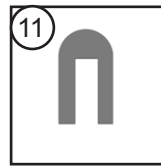
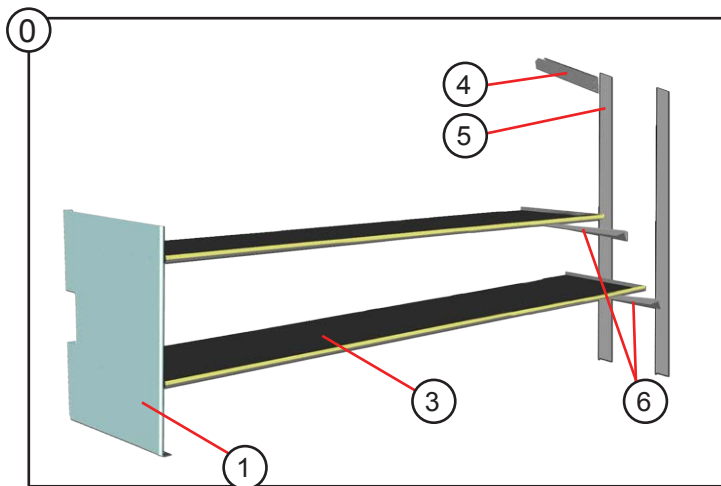


ITEM #	PART #	DESCRIPTION	QTY.	UNIT
1	118095001	PIPE RACK INSTALLATION	1	EA
2	093048412	STIFFENER (STIFFENER SHORT OVER W/BOX 093048415 X4)	19	EA
3	093095414	BRACKET PIPE RACK ROADSIDE (2 PER TUBE)	1	EA
4	093095415	BRACKET PIPE RACK CURBSIDE (2 PER TUBE)	1	EA
5	45601158	TUBE STEEL 14GA 1.3125X252 (AT DOOR POCKET 45601159)	1	EA
6	45601155	U BOLT SQUARE .31-18 X 2 X 2.375 (6 PER TUBE)	1	EA
7	45601153	HANGER BRACKET STEEL 7GAX5.5 PIPE RACK (4 PER TUBE)	1	EA
8	093095406	ZEE PIPE RACK	1	EA
9	45601152	END CAP RUBBER 1.25" OD BLACK	1	EA
10*	098102439	HAT E/TRACK AL.125X10.79X134.45	1	EA
11*	098102437	E/TRACK HORZ 1101531X105.95	1	EA
12*	098102435	PROTECTIVE RUBBER BUMPER E/TRACK 1107307X117	1	EA
13	45601156	TUBE STEEL 11GA 1.5X1.5X89.50 SQ	1	EA

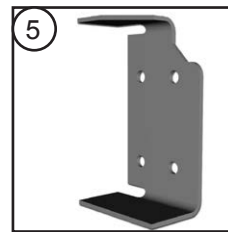
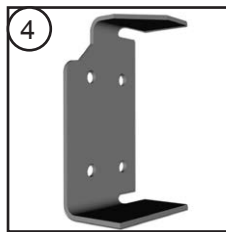
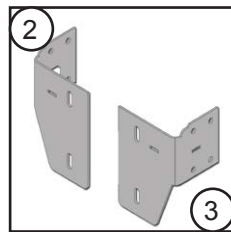
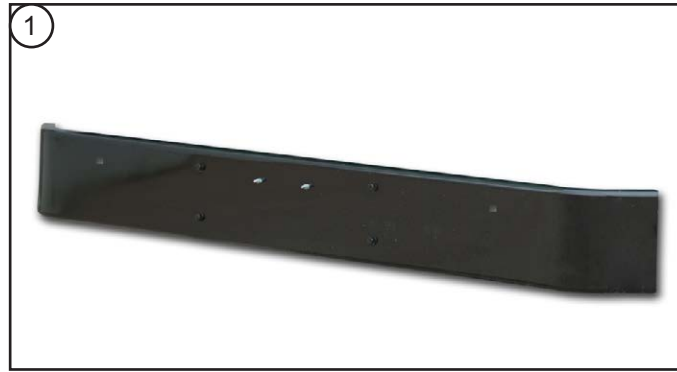
\* Items 10, 11 and 12 - Only the longest lengths of materials used are shown above.

E/TRACK HORZ	14"- 098102440	105.95"-098102437	120"- 1101531		
HAT E/TRACK	28"- 098102441	110.5"- 098102436	117.75"-098102401	122.25"-098102403	134.45"-098102439
RUBBER BUMPER	23.98"-098102434	28"- 083102409	112.6"- 083104410	112.95"-098102438	117"- 098102435

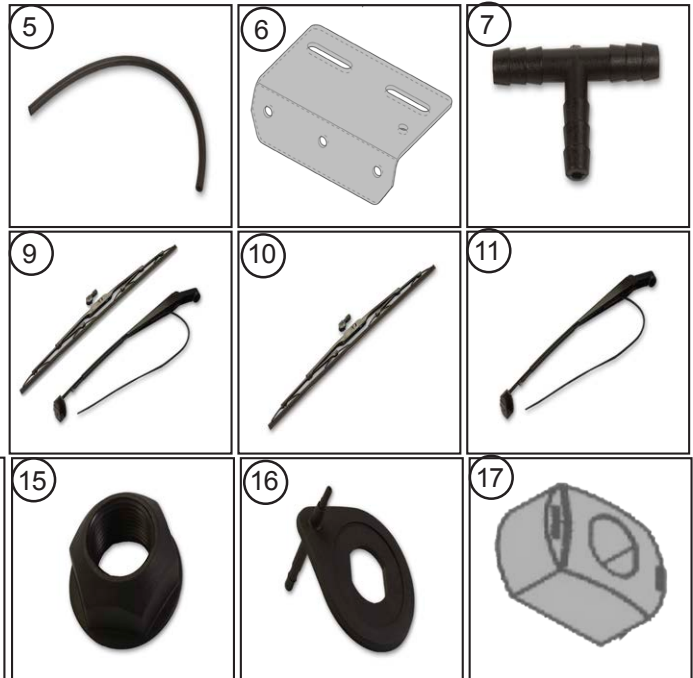
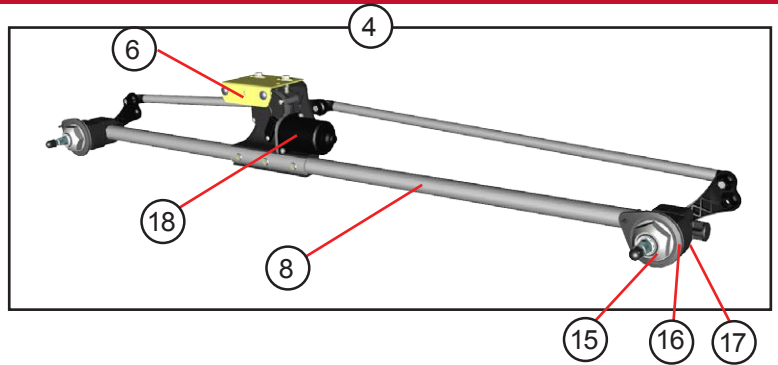




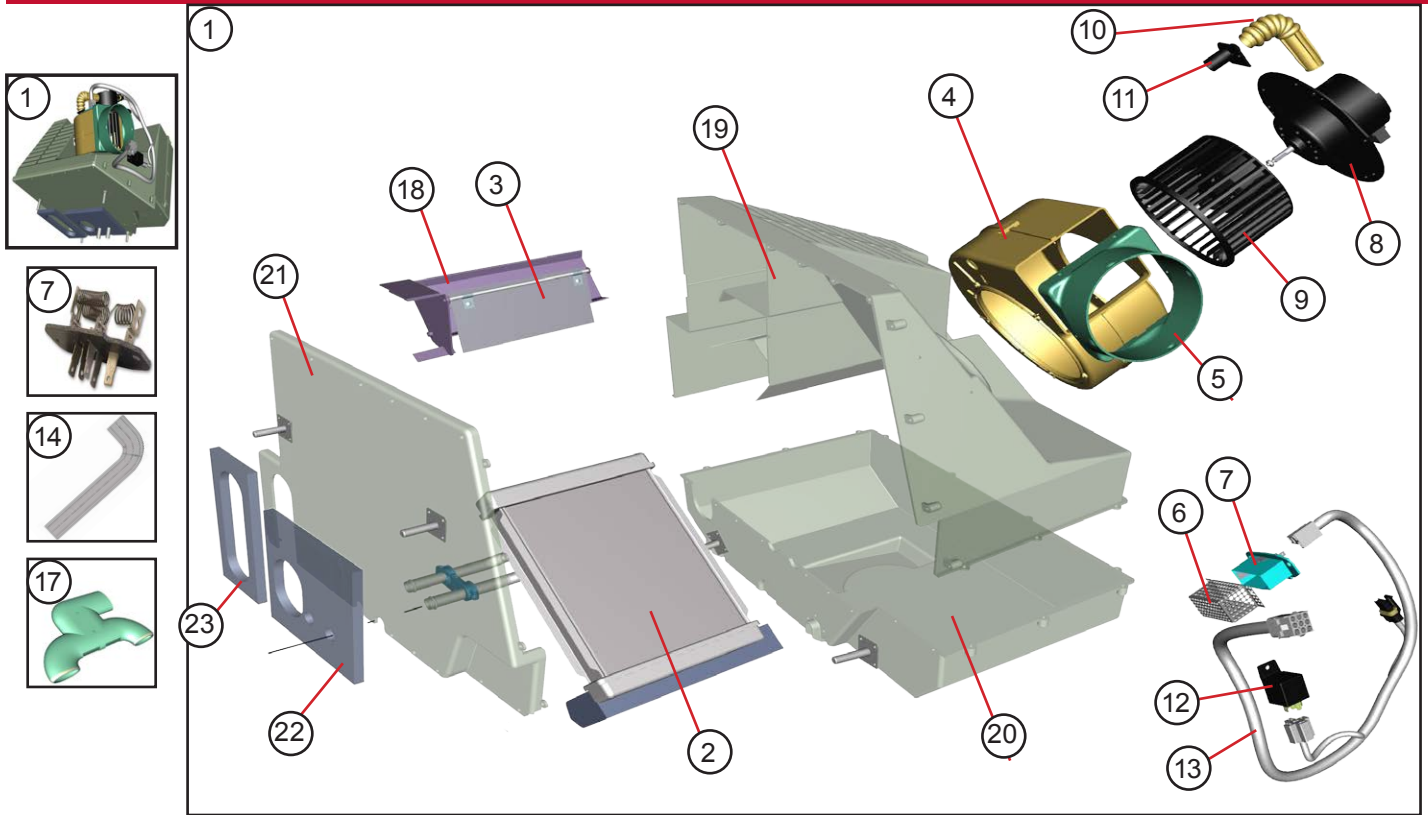
ITEM #	PART #	DESCRIPTION	QTY.	UNIT
0	108105002	SHELF INSTALLATION 2 TIER	1	EA
1	108105406	PANEL SHELF END AL.102X27.03X44.61LH	1	EA
3	108105403	SHELF PANEL AL.102X26.52X141.76	2	EA
4	118069400	ANGLE MOUNTING BULKHEAD AL.125X5.73X22.5	1	EA
5	118069401	STIFFENER BULKHEAD ROADSIDE ALE450595X83.25	2	EA
6	108105400	ARM SHELF AL.102X8.21X24.62 ROADSIDE	2	EA
7	118105206	SHELF ASSEMBLY OVER WHEEL BOX LH	1	EA
7	118105207	SHELF ASSEMBLY OVER WHEEL BOX RH	1	EA
8	118105409	PANEL SHELF END AL.102X26.21X46.28	1	EA
9	118105410	PANEL SHELF END AL.102X26.21X46.28	1	EA
10	118105428	SHELF PANEL AL.102X26.51X45.81	2	EA
11	118105404	WEAR STRIP SHELF LIP .25X.75X43	2	EA
12	47009988	CHANNEL NUT 1/4-20 W/SPRING 1-1/4"	12	EA



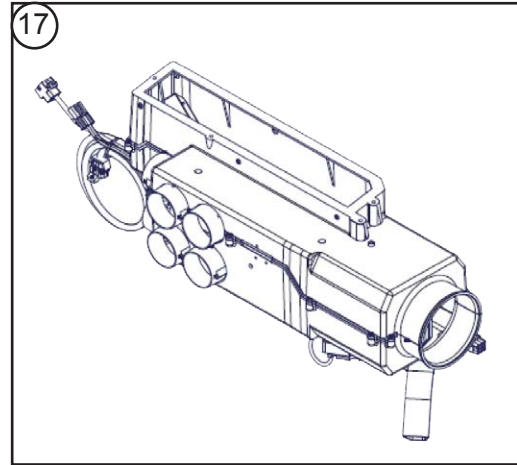
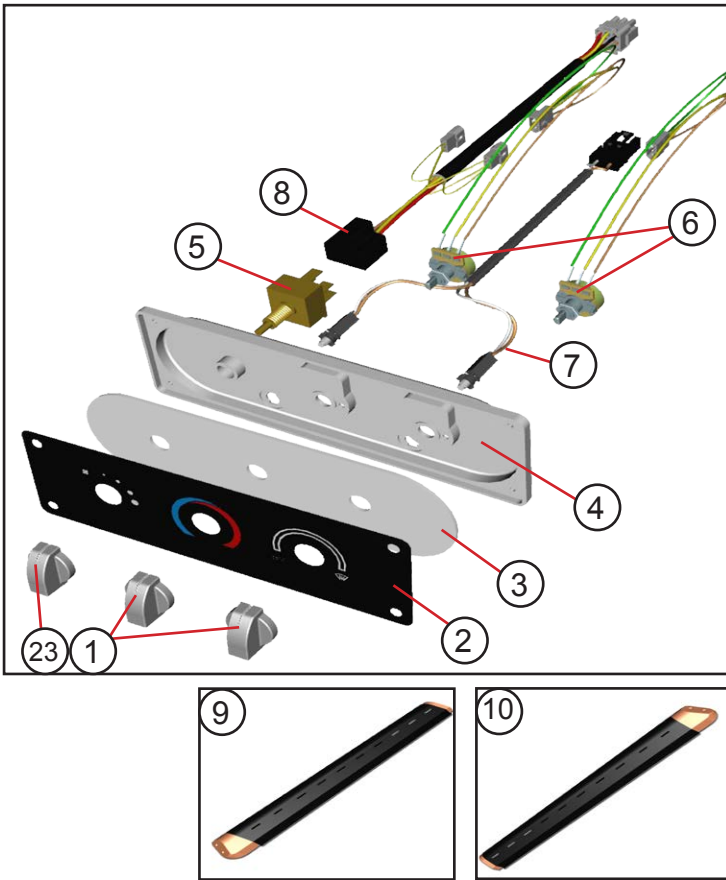
ITEM #	PART #	DESCRIPTION	QTY.	UNIT
1	004057457	BUMPER STEEL FRONT 93W 11IN RC	1	EA
2	115008200	BUMPER FRONT WELDMENT ASSEMBLY LH	1	EA
3	115008201	BUMPER FRONT WELDMENT ASSEMBLY RH	1	EA
4	115008402	BRACKET BUMPER STEEL 7GA X4.5X12.56 LH	1	EA
5	115008403	BRACKET BUMPER STEEL 7GA X4.5X12.56 RH	1	EA



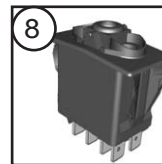
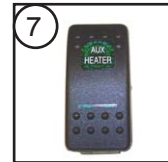
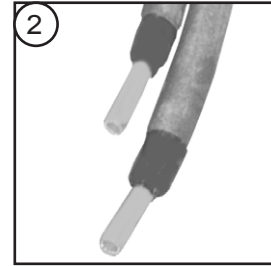
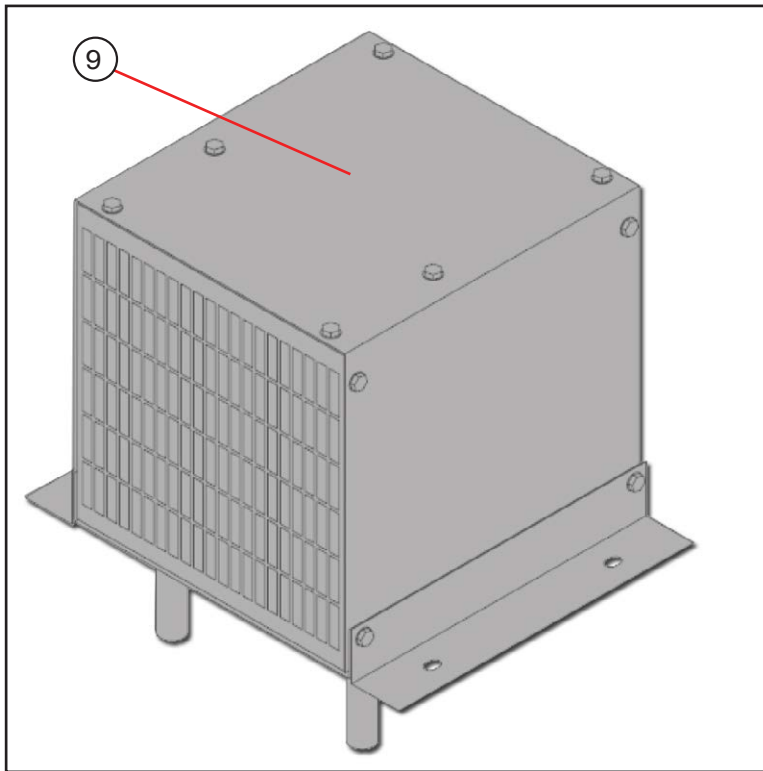
ITEM #	PART #	DESCRIPTION	QTY.	UNIT
1	007151000	MIRROR INSTALLATION	1	PR
2	47005624	MIRROR ASSEMBLY ROADSIDE	1	EA
3	47005625	MIRROR ASSEMBLY CURBSIDE	1	EA
4	117363001	WINDSHIELD WIPER INSTALLATION (INCLUDES ITEMS 5,6,7 AND 8)	1	EA
5	1107122	HOSE .188 ID WSW	12	FT
6	083055454	BRACKET WIPER MOTOR	1	EA
7	1101694	TEE WSW U/T	1	EA
8	47004188	WIPER SYSTEM TUBULAR 2 PIVOT	1	EA
9	146363002	WIPER ARM WITH BLADE	1	EA
10	47004134	BLADE 24IN BLACK	1	EA
11	47004206	ARM WSW WET 22IN RADIAL BLACK	1	EA
12	47004505	RESERVOIR W/PUMP WSW	1	EA
13	003705413	BRACKET MOUNTING RESERVOIR	1	EA
14	46021115	CLIP BODY LARGE PAN	1	EA
15	47005901	NUT	2	EA
16	47005902	PIVOT COVER	2	EA
17	47005903	SPACER	2	EA
18	47005900	MOTOR WINDSHIELD WIPER	1	EA



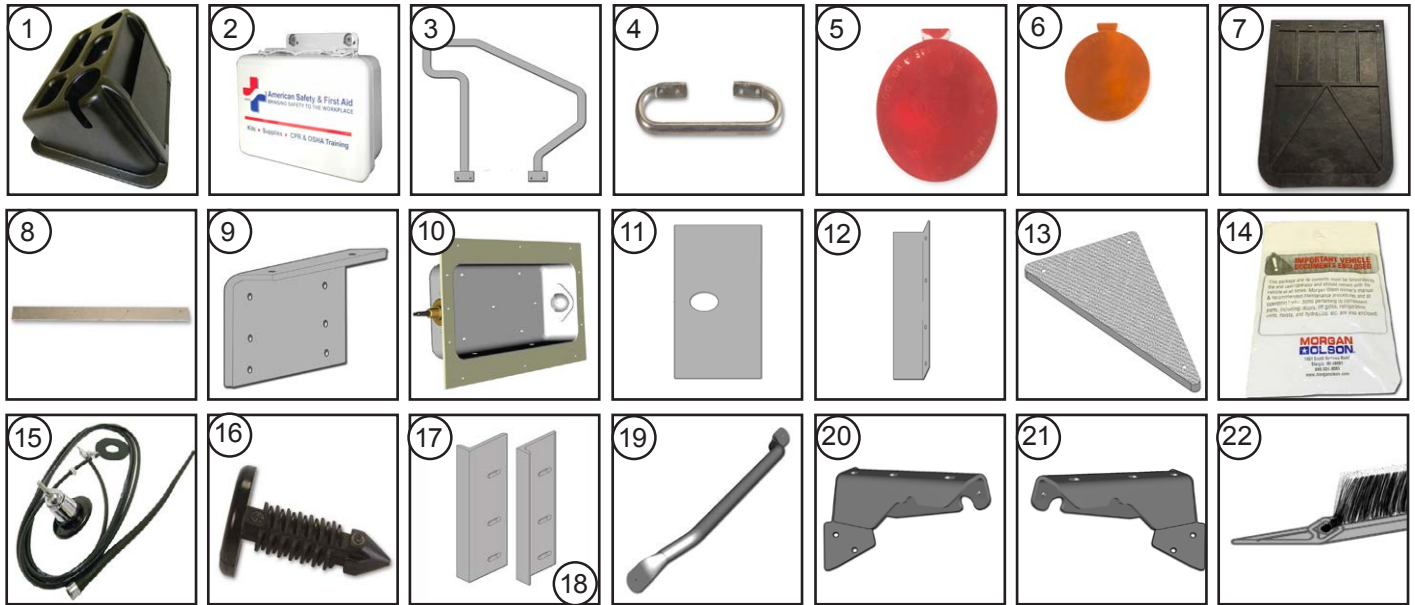
ITEM #	PART #	DESCRIPTION	QTY	UNIT
1	555001014	HEATER ASSEMBLY	1	EA
2	47008760	HEATER COIL W/GASKET & CLAMP	1	EA
3	47008753	DOOR W/SEAL	1	EA
4	47008754	BLOWER HOUSING	1	EA
5	47008755	BLOWER ADAPTER	1	EA
6	47008732	RESISTER CAGE	1	EA
7	47008357	RESISTER	1	EA
8	47008756	BLOWER MOTOR	1	EA
9	47008757	BLOWER WHEEL	1	EA
10	47008730	VENT TUBE	1	EA
11	47008731	VENT TUBE ADAPTOR	1	EA
12	47008716	RELAY	1	EA
13	47008758	HARNES	1	EA
14	47008580	FORMED HEATER HOSE	2	EA
NS	555002053	VALVE WAT SCS #70-07754	1	EA
NS	098080004	DUCT FT DUMP SPCL	1	EA
17	090080401	DUCT FT DUMP SPCL	1	EA
18	N/A	AC PARTITION - PART OF HEATER ASSEMBLY	1	EA
19	N/A	HOUSING UPPER - PART OF HEATER ASSEMBLY	1	EA
20	N/A	HOUSING LOWER - PART OF HEATER ASSEMBLY	1	EA
21	N/A	HOUSING BACK - PART OF HEATER ASSEMBLY	1	EA
22	21-01201	GASKET - PART OF HEATER ASSEMBLY	1	EA
23	21-01202	GASKET - PART OF HEATER ASSEMBLY	1	EA



ITEM #	PART #	DESCRIPTION	QTY	UNIT
1	47008706	KNOB	2	EA
23	47008735	KNOB	1	EA
2	47008707	DECAL	1	EA
3	47008708	LIGHT PANEL	1	EA
4	47008709	CONTROL PANEL	1	EA
5	47008700	BLOWER SWITCH	1	EA
6	47008710	POTENTIOMETER SWITCH	2	EA
7	47008711	HARNES ILLUMINATION W/BULBS	1	EA
8	47008712	HARNES BLOWER MOTOR	1	EA
9	555001723	DEFROST DUCT CURBSIDE	1	EA
10	555001724	DEFROST DUCT ROADSIDE	1	EA
11	093080400	HOLD DOWN PLATE DEFROSTER DUCTS	4	EA
NS	555001523	HOSE DEFROSTER 2.5X16	2	EA
13	555001524	HOSE DEFROSTER 2.5X30	2	EA
NS	555001525	HOSE DEFROSTER 2.5x38	1	EA
15	555002003	COLLER FRESH AIR INTAKE	1	EA
16	555001715	LUVER BALL	6	EA
17	555001321	DUCT HVAC	1	EA
18	107027405	BRACKET HEATER VENT	1	EA
20	555001533	HOSE BLOWER HEATER/DEFROSTER 5"X7.5"	1	EA
21	005780402	MOUNTING PLATE	1	EA
22	002080400	BRACKET HEATER CONTROL AL .102X3X11.67	1	EA



ITEM #	PART #	DESCRIPTION	QTY	UNIT
PG29	137080002	AUXILIARY HEATER INSTALLATION (ALL ITEMS THIS PAGE)	1	EA
2	44001026	HOSE HEATER SLC .62IDXFT	34	FT
3	46004416	GROMMET 1ID .25 MATERIAL THICK	5	EA
NS	05M279200	HARNESS ROCKER SWITCH	1	EA
NS	007388322	HARNESS JUMPER Y 2WR P&P X120	1	EA
NS	007388326	HARNESS JUMPER Y 2WR P&P X72	1	EA
7	46023616	SWITCH ROCKER ACTUATOR ONLY AUXILIARY HEATER	1	EA
8	46023617	SWITCH ROCKER BASE ONLY SPDT ON-OFF-ON	1	EA
9	47008587	HEATER AUXILIARY 16.6K BTU 2 SPEED	1	EA

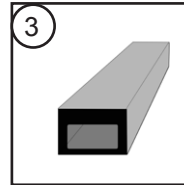
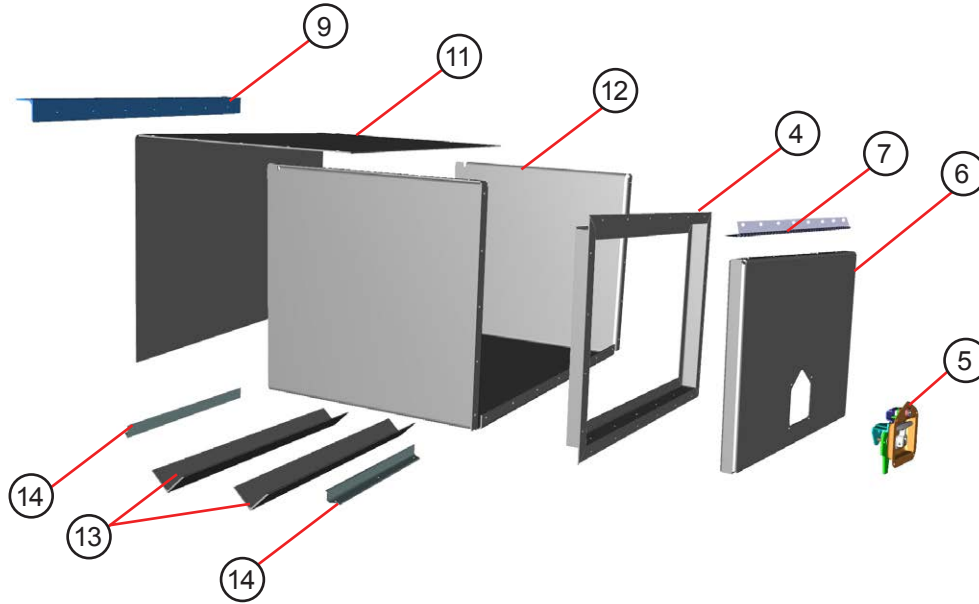


ITEM #	PART #	DESCRIPTION	QTY.	UNIT
1	47009626	CENTER CONSOLE CUP HOLDER	1	EA
2	007301001	FIRST AID KIT	1	EA
3	118278000	GRAB RAIL INSTALLATION (GRAB RAIL REMOVABLE 47001053)	1	EA
4	90187300	GRAB HANDLE 9" , OFFSET	1	EA
5	46025017	REFLECTOR RED SPITFIRE 2.88 DIA.	4	EA
6	46025018	REFLECTOR AMBER SPITFIRE 2.88 DIA.	2	EA
7	1107308	MUD FLAPS 20X24 BLACK NO LOGO	1	PR
8	7504428	RETAINER MUD FLAPS	2	EA
9	80795014	ANGLE RETAINER MUD FLAPS	2	EA
10	090092207	LICENSE PLATE BOX ASSEMBLY (BOX ONLY 1106120)	1	EA
NS	95801001	TIE DOWN KIT	1	EA
11	78331095	PLATE TIE DOWN	23	EA
12	97650306	ANGLE TIE DOWN	2	EA
13	138027418	RUBBER PAD 42002055X4.75X11	1	EA
14	43004362	BAG PLASTIC DOCUMENT WALK-IN	1	EA
15	46025559	ANTENNA	1	EA
16	47006630	CLIP PLASTIC ROUND HEAD 1.32X1.34	15	EA
17	092050410	ANGLE LOWER LIFT GATE AL1126236X11 ROADSIDE	1	EA
18	092050411	ANGLE LOWER LIFT GATE AL1126236X11 CURBSIDE	1	EA
19	47001063	GRAB HANDLE 1" AL 31.875L 2.75DP ANODIZE	1	EA
20	115006200	OUTRIGGER WELDMENT CHASSIS PREP LH	1	EA
21	115006201	OUTRIGGER WELDMENT CHASSIS PREP RH	1	EA
22	47106596	SEAL SIDE BRUSH 1" (HEADER 1.5" - 47106599 QTY. 1) RUD	2	EA
NS	095024413	ANGLE COMP VERTICAL AL.25X5.75X18 LH	1	EA
NS	095024414	ANGLE COMP VERTICAL AL.25X5.75X18 RH	1	EA
NS	084024415	RISER CORNER AL .125X3.61X3.5 (@ SKIRT TAIL BOTTOM EDGE)	1	EA

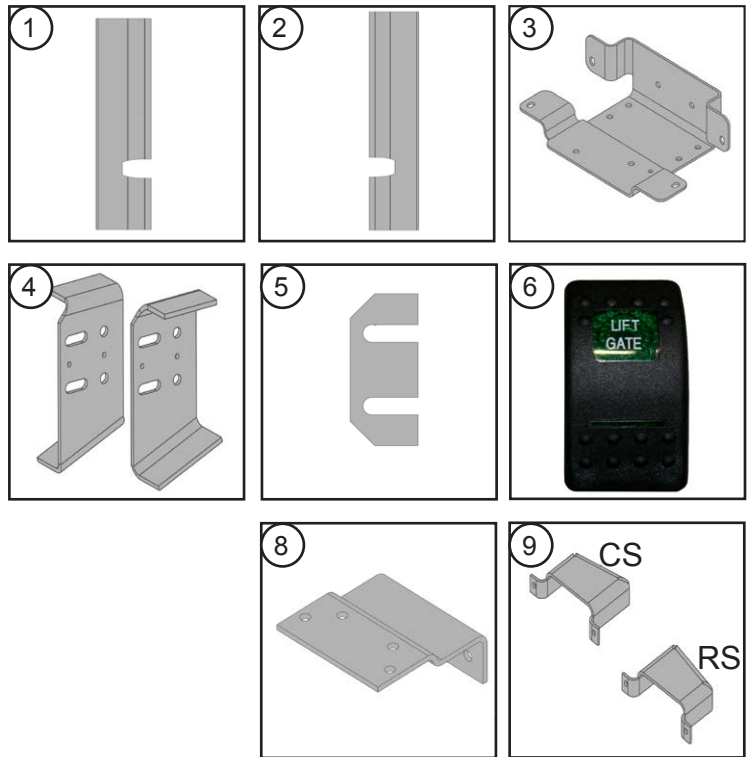


ITEM #	PART #	DESCRIPTION	UNIT
1	90187300	GRAB HANDLE-CAB INTERIOR LH	1 EA
NS	47001063	GRAB HANDLE 1" AL 31.875L 2.75DP ANODIZE	1 EA
2	072124003	DVIR BRACKET	1 EA
3	47009547	REFLECTOR KIT - TRIANGLES	1 EA
4	47009548	BRACKET REFLECTOR FLARE KIT	1 EA
5	097061000	SUN VISOR INSTALLATION CURBSIDE (VISOR ONLY 47005504)	2 EA
6	090061400	BRACKET SUN VISOR CURBSIDE	1 EA
7	117024400	BATTERY SHIELD	1 EA
8	44002011	RUBBER BUMPER BULKHEAD DOOR	1 EA
9	47009621	FIRE EXTINGUISHER W/BRACKET & MET STRAP	1 EA
10	47001001	CHANNEL NUT W/ SPRING	1 EA
11	42002055	SOUND ABSORBING FLOOR MAT 60X95	2 EA
12	104019400	TOE-BOARD TRIM ROADSIDE	1 EA
13	104019401	TOE-BOARD TRIM CURBSIDE	1 EA
14	48200141	CAMERA BACKUP CLR BLLT (BRACKET 146079401)	1 EA
15	093116410	INSULATION DASH WALL	1 EA
16	1107270	SEAL ENGINE BOX LID	8 FT
18	115028401	ENGINE BOX INSULATION 42002056X14.34X29.88	1 EA
19	115028402	ENGINE BOX INSULATION 42002056X13.55X27.09	1 PR
20	098005405	ENGINE BOX INSULATION 42002056X15.09X33.05	1 EA
21	115028403	ENGINE BOX INSULATION 42002056X17.43X32.37	1 EA
22	115028404	ENGINE BOX INSULATION 42002056X8.09X22.61	1 EA
NS	098137400	PLATE STEP OVERLAY FBG. .125X8.5X24.12	1 EA
NS	098137401	PLATE STEP OVERLAY FBG .125X7.75X22	1 EA





ITEM #	PART #	DESCRIPTION	QTY.	UNIT
1	148009000	BATTERY BOX AUX INSTALLATION	1	EA
2	130009204	DOOR ASSEMBLY BAT/BOX (ITEMS 4,5,6,7)	1	EA
3	44004079	SEAL RUBBER "D" .25 X .375	7	FT
4	130009203	OUTER FRAME ASSEMBLY BATTERY BOX	1	EA
5	47001498	HANDLE T BLACK W/LK RH (GASSKET - 47001499)	1	EA
6	130009415	DOOR BAT/BOX AL.125X17.63X24.63	1	EA
7	130009414	HINGE STAINLESS 47007794X21	1	EA
8	138009200	BAT/BOX AUX ASSEMBLY	1	EA
9	138009401	ANGLE SUPPORT BAT/BOX AL45018X29	1	EA
10	47000921	HOLD BACK DOOR	1	EA
11	134024401	WRPR BAT BX AL.102X27.88X33.17	1	EA
12	138009400	WRPR COMPT AL.102X17.96X59.32	1	EA
13	124024409	SUPPORT ANGLE AL450523X25.5	2	EA
14	138009401	ANGLE SUPPORT BAT/BOX AL45018X29	2	EA



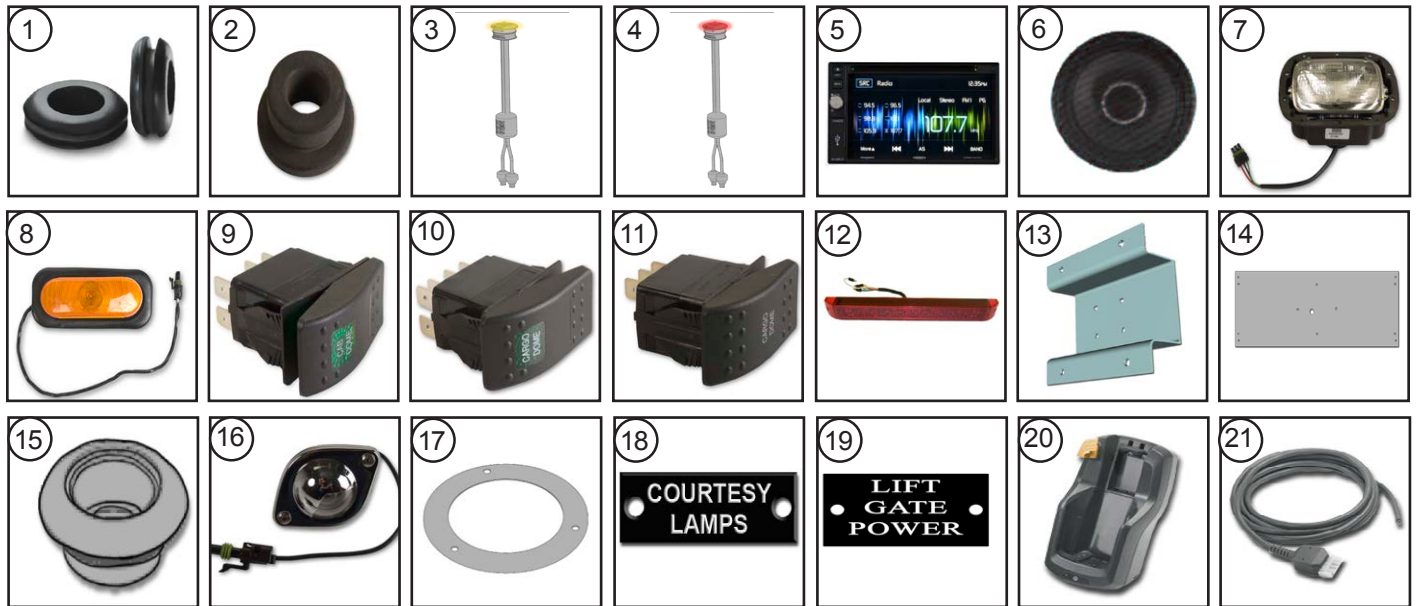
\* Weld on and bolt on lift gates are not interchangeable.

If adding, back modifications may be needed. Please call and we will be happy to assist you.

ITEM #	PART #	DESCRIPTION	QTY.	UNIT
4	138008452	BUMPER EXTENSION BRACKET CS (138008453 ROADSIDE)	1	EA
5	138008454	SPACER BUMPER BRACKETS	2	EA
8	074091402	BRACKET SWITCH	4	EA
9	124091400	BRACKET MAGNET DOOR RS (124091401 CS)	1	EA
NS	124091200	HARNES LIFT GATE DOOR SAFETY	1	EA
<b>072125038 WELD ON LIFT GATE</b>				
3	102092401	MOUNTING BRACKET AL. 102X8.02X10.32	1	EA
NS	46023611	SWITCH - ROCKER BASE ONLY	1	EA
6	46023619	SWITCH ROCKER ACTUATOR	1	EA
NS	007388322	HARNES JUMPER 120"	1	EA
NS	007388326	HARNES JUMPER 72"	1	EA
NS	132087204	HARNES LIFT GATE TRANSOM TO LIFT GATE	1	EA
10	47005368	LIFT GATE BOTVL20AALLAL 90X36+6	1	EA
<b>07215048 BOLT ON LIFT GATE</b>				
NS	46023611	SWITCH - ROCKER BASE ONLY	1	EA
6	46023619	SWITCH ROCKER ACTUATOR	1	EA
NS	88117481	HARNES ROCKER SWITCH - POWER TO INSTRUMENT PANEL SWITCH	1	EA
NS	47005361	LIFT GATE BOLT ON TVL SERIES	1	EA
1	092050412	MOUNTING BRACKET ROADSIDE	1	EA
2	092050413	MOUNTING BRACKET CURBSIDE	1	EA



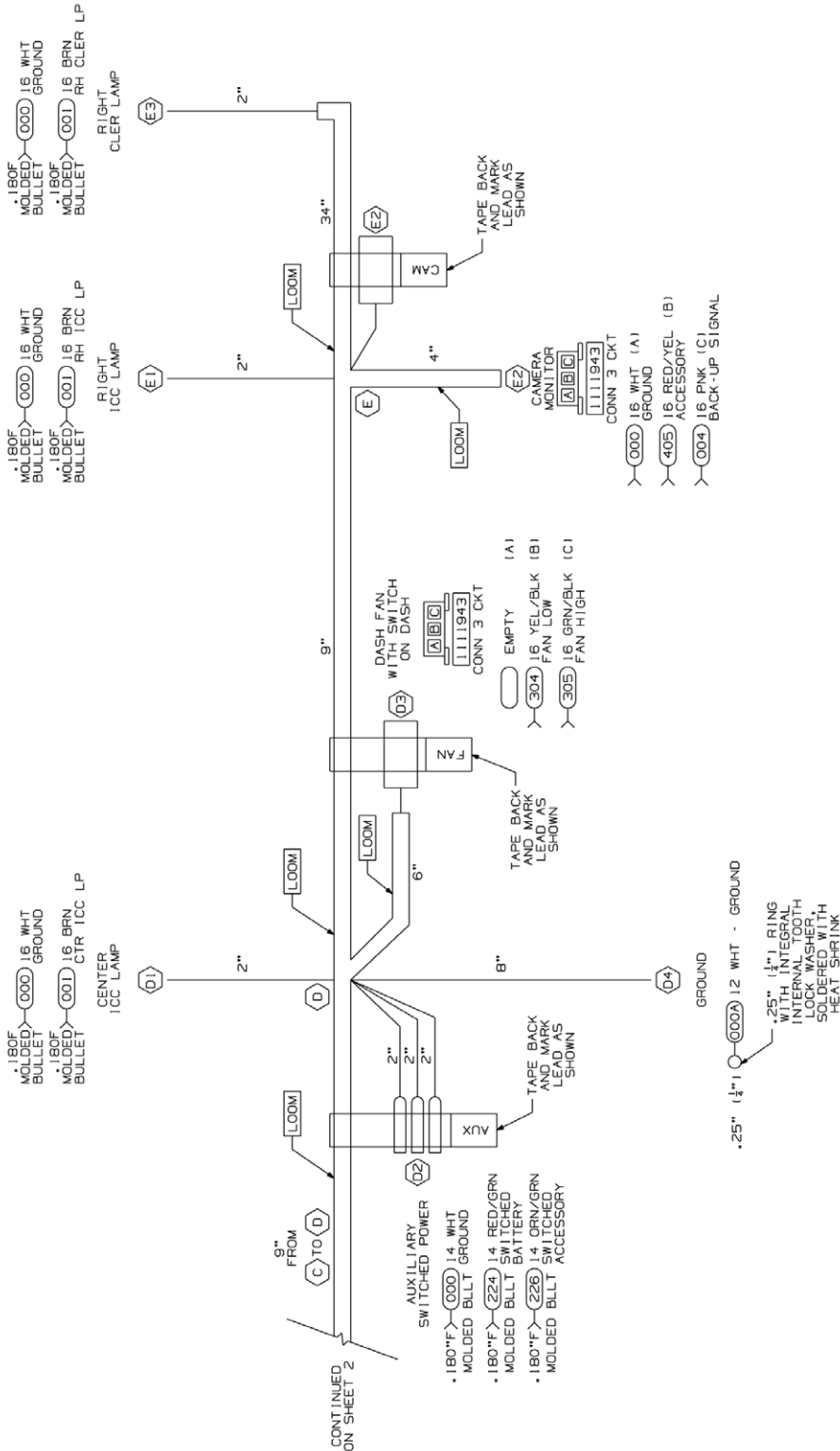
ITEM #	PART #	DESCRIPTION	QTY.	UNIT
1	090087401	FILLER PLATE WIRING	1	EA
2	46026414	FLASHER FOR TTL LED APPLICATIONS	1	EA
3	46021115	CLIP LARGE BODY	1	EA
3	46021114	CLIP MEDIUM BODY (SAME APPEARANCE AS ITEM 3)	1	EA
4	48200113	HARNESS - CAMERA TO MONITOR CABLE ASA #CEC50	1	EA
5	88117437	HARNESS CRADLE HAND COMPUTER	1	EA
NS	46003017	LAMP INT WIPER	1	EA
NS	008300402	LABEL FUSE BLOCK FCC 2008 STRK CURBSIDE	1	EA
NS	008300401	LABEL FUSE BLOCK FCC 2008 STRK ROADSIDE	1	EA
6	46030011	FAN 2 SPEED NO SWITCH 270 CFM	1	EA
7	46023605	SWITCH FAN ROCKER SPDT ON-OFF-ON	1	EA
8	46023614	SWITCH ROCKER ACTUATOR ONLY BLINKING GREEN DASH	1	EA
9	46002637	LAMP DOME REC LED (3 LOAD / 1 CAB)	1	EA
10	46023611	SWITCH ROCKER BASE ONLY SPDT	1	EA
11	115085005	AMBIENT AIR TEMP SENSOR F59	1	EA
12	115085401	BRACKET HORN MOUNTING AL.125X3.25X4.12	1	EA
13	46003022	LAMP PILOT GREEN BLANK	1	EA
14	115000400	LABEL FUSE BLOCK LH	1	EA
14	115000401	LABEL FUSE BLOCK RH	1	EA
15	46023310	SWITCH WIPER INT SIGNAL ASSEMBLY	1	EA



ITEM #	PART #	DESCRIPTION	QTY.	UNIT
1	44000052	GROMMET A/I#28866	1	EA
2	1107072	GROMMET	1	EA
3	46001344	LAMP CLEARANCE MARKER LED NO PC AMBER	1	EA
3	46001339	LAMP CLEARANCE MARKER LED PC - AMBER X7	1	EA
3	46001362	LAMP CLEARANCE MARKER LED PC - AMBER X1	1	EA
4	46001340	LAMP CLEARANCE MARKER LED NO PC - RED X7	1	EA
5	46025611	RADIO AM/FM/CD/WB/MON DIN (HARNES - 46025609)	1	EA
6	46025590	SPEAKER 6.5 IN.	1	PR
7	46000206	HEADLAMP RECTANGLE ASSEMBLY	1	EA
8	46000615	LAMP PARK/TURN LED (SHOWN WITH GROMMET 46004403)	1	EA
9	46023508	SWITCH ROCKER CAB DOME SPST ON-OFF	1	EA
10	46023603	SWITCH ROCKER FRONT CARGO DOME SPDT ON-ON	1	EA
11	999391026	SWITCH ROCKER LOAD DOME SPDT	1	EA
12	46001905	LAMP AUX S/LH + RH TURN BAR (GROMMET 1107109)	1	EA
13	078092400	BRACKET MOUNTING CRADLE (ITEM 20)	1	EA
14	100092400	BRACKET DOME LAMP MOUNTING (3 LOAD / 1 CAB)	1	EA
15	46001342	GROMMET FOR CLEARANCE MARKER LED	1	EA
16	46002425	LAMP LICENSE PLATE (2 USED)	1	EA
17	47006065	RING TUBE STEEL 4IN ROUND DOME LAMPS (3 LOAD / 1 CAB)	1	EA
18	45200254	LABEL PLACARD LAMP COURTESY	1	EA
19	45200252	LABEL PLACARD LIFT GATE POWER	1	EA
20	46027613	CRADLE HAND COMP	1	EA
21	88117437	HARNES CRADLE	1	EA
NS	092050406	SHIM LIFT GATE AL .25 X 1.25 X 64.88	1	EA

PAGE #	PART #	DESCRIPTION	QTY.	UNIT
38-39	007391210	HARNESS ROOF/NOSE	1	EA
40	46025591	HARNESS SPEAKER	1	EA
41	090093202	HARNESS JUMPER CARGO DOME LAMP	3	EA
42-43	093093203	HARNESS ROOF 21/24 FT	1	EA
44	093093205	HARNESS TRANSOM CHMSL READY	1	EA
45	112079204	HARNESS RADIO PANEL LAMP FD	1	EA
46-49	115084201	HARNESS INSTRUMENT PANEL	1	EA
50-52	115084202	HARNESS CMD CTR F59	1	EA
53	115084203	HARNESS FUSE CENTER	1	EA
54	115085202	HARNESS HOOD F59 WITH HORN	1	EA
55	115088201	HARNESS JUMPER I/P BLUNT CUT	1	EA
56	115088202	HARNESS JUMPER I/P WIPER	1	EA
57	007392398	HARNESS LAMP STEP WELL RH/DA SW/BAT	1	EA
58	007381203	HARNESS MID BODY MARKINGS	1	EA
59	157063200	HARNESS WASHER BOTTLE	1	EA
60	132088201	HARNESS BATTERY NEG 2GA 24"	1	EA
NS	152088200	HARNESS JUMPER BATTERY SEPERATE GROUND	1	EA

DRAWING NO.	REV	SHT
007391210	A	1 of 2
DESCRIPTION	REV	ISSUE NO
RELEASE FOR PRODUCTION	CR.	DATE
A REDRAWN & REVISED	DFW	DATE
	SPACE	



10. VENDOR TO GREASE FEMALE BULLET TERMINALS.
9. THIS IS A PURCHASED HARNESS. NO BILL OF MATERIAL EXISTS.
8. VENDOR MAY REPLACE WITH APPROVED MULTIMEDIA CONNECTORS. PICTAILS SHOWN IN TERMINAL VIEW.
7. HARNESS TO BE TESTED FOR CONTINUITY, SHORTS, AND OPEN CIRCUITS.
6. CONNECTORS SHOWN FROM WIRE ENTRY SIDE, UNLESS OTHERWISE NOTED.
5. SPLICES TO BE AUTOMATED WITH SOLDER, AND ADHESIVE LINED HEAT SHRINK TUBING.
4. TAPE [1111096]: 6" AT BREAKOUTS, 2" AT 18" INTERVALS FOR UNINTERRUPTED LOOM LENGTHS GREATER THAN 24", AND 2" AT LOOM ENDS.
3. HARNESS TO HAVE A LABEL SHOWING MORGAN OLSON PART NUMBER, REVISION DATE OF MANUFACTURE.
2. SPLIT POLY LOOM UNLESS OTHERWISE NOTED.
1. GAL WIRE.

NOTES:  
 PROPRIETARY  
 This document is the property of Morgan Olson. It is to be used only for the purpose of manufacturing the product described herein. It is not to be distributed, copied, or otherwise used without the prior written consent of Morgan Olson.



GENERAL STANDARDS UNLESS OTHERWISE NOTED:  
 1. WIRE GAUGE: AWG  
 2. WIRE COLOR: AS SHOWN  
 3. WIRE LENGTH: AS SHOWN  
 4. WIRE ENTRY: AS SHOWN  
 5. WIRE ENTRY: AS SHOWN

DATE	TMC	DATE	07-1852
20DEC07	20DEC07	20DEC07	20DEC07
DO NOT SCALE	2008 SEED TRK		

HARN ROOF NOSE  
 2008 SEED TRUCK  
 2P DYN PK WPR

DRAWING NO. 007391210  
 SHT 1 of 2  
 SCALE NONE  
 REV A

HARNESS AND LOOM TOLERANCES  
 UP TO 60" : -0/+2"  
 60" TO 100" : -0/+4"  
 100" TO 200" : -0/+5"  
 200" TO 400" : -0/+6"  
 400" TO 600" : -0/+7"  
 OVER 600" : -0/+8"  
 BO TO BO : -0/+2"

LENGTHS APPLY FROM BREAKOUT TO BREAKOUT OR BREAKOUT TO WIRE ENTRY SIDE OF CONNECTOR, OR END OF COVER.

BASED ON  
 005391200

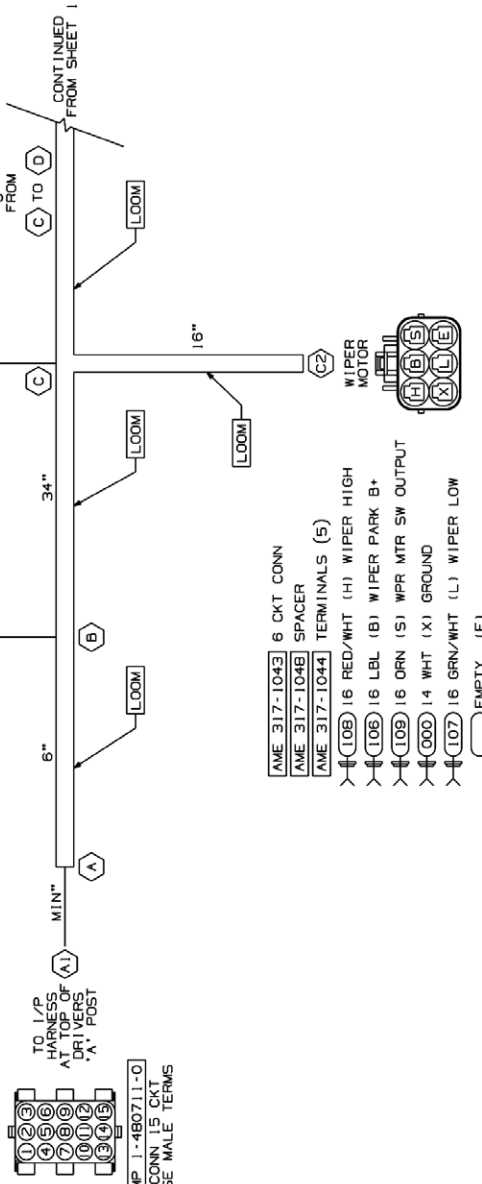
DRAWING NO.	REV	SHT
007391210	A	2 OF 2
DESCRIPTION	REV	DATE
RELEASE FOR PRODUCTION	001	
REDRAWN & REVISED	002	

CIRCUIT	GA/COLOR	END POINTS	FUNCTION
109	16 GRN	A1,C2	WIPER PK SWITCH OUTPUT
224	14 RED/GRN	A1,D2	BATTERY - SWITCHED
226	14 GRN/GRN	A1,D2	ACCESSORY - SWITCHED
304	16 YEL/BLK	A1,D3	DASH FAN LOW
305	16 GRN/BLK	A1,D3	DASH FAN HIGH
405	16 RED/YEL	A1,E2	AUXILIARY ACCESSORY

CIRCUIT	GA/COLOR	END POINTS	FUNCTION
000A	12 WHT	A1,D4,SPLICE 1	GROUND
000	14/16 WHT	B1,C1,C2,D1,D2,E1,E2,E3,SPLICE 1	GROUND
001	16 BRN	A1,B1,C1,D1,E1,E3	CLEARANCE/ICC LPS
004	16 PNK	A1,E2	BACK-UP SIGNAL
106	16 LBL	A1,C2	WIPER PARK SWITCH B+
107	16 GRN/WHT	A1,C2	WIPER LOW
108	16 RED/WHT	A1,C2	WIPER HIGH

**[SPLICE 1]**  
000A, 12 WHT IS TO BE  
SPliced TO THE  
GROUND OF THE  
VENDOR TO DETERMINE  
LOCATION(S)

- ← 000A 12 WHT (1) GROUND
- ← 001 16 BRN (2) CLEARANCE/ICC LAMPS
- ← 004 16 PNK (3) BACK-UP SIGNAL
- ← 106 16 LBL (4) WIPER PARK SWITCH B+
- ← ( ) EMPTY (5)
- ← 107 16 GRN/WHT (6) WIPER LOW
- ← 108 16 RED/WHT (7) WIPER HIGH
- ← ( ) EMPTY (8)
- ← 109 16 GRN (9) WIPER PARK SW OUTPUT
- ← 224 14 RED/GRN (10) BATT (SW)
- ← ( ) EMPTY (11)
- ← 226 14 GRN/GRN (12) ACCY (SW)
- ← 304 16 YEL/BLK (13) FAN LOW
- ← 305 16 GRN/BLK (14) FAN HIGH
- ← 405 16 RED/YEL (15) ACCESSORY



- [AME 317-1043] 6 CKT CONN
- [AME 317-1048] SPACER
- [AME 317-1044] TERMINALS (5)
- > (106) 16 RED/WHT (H) WIPER HIGH
- > (108) 16 LBL (B) WIPER PARK B+
- > (109) 16 GRN (S) WPR MTR SW OUTPUT
- > (000) 14 WHT (X) GROUND
- > (107) 16 GRN/WHT (L) WIPER LOW
- ( ) EMPTY (E)

**PROPRIETARY**  
This drawing is the property of Morgan-Nolson. It is to be used only for the purpose intended. No part of this drawing is to be reproduced, stored in a retrieval system, or transmitted in any form or by any means, electronic, mechanical, photocopying, recording, or by any information storage and retrieval system, without the prior written consent of Morgan-Nolson.

**MORGAN NOLSON**

GENERAL STANDARD UNLESS OTHERWISE NOTED:  
1. UNLESS OTHERWISE SPECIFIED, DIMENSIONS ARE IN INCHES.  
2. DIMENSIONS ARE TO CENTER UNLESS OTHERWISE SPECIFIED.  
3. DIMENSIONS ARE TO CENTER UNLESS OTHERWISE SPECIFIED.  
4. DIMENSIONS ARE TO CENTER UNLESS OTHERWISE SPECIFIED.  
5. DIMENSIONS ARE TO CENTER UNLESS OTHERWISE SPECIFIED.

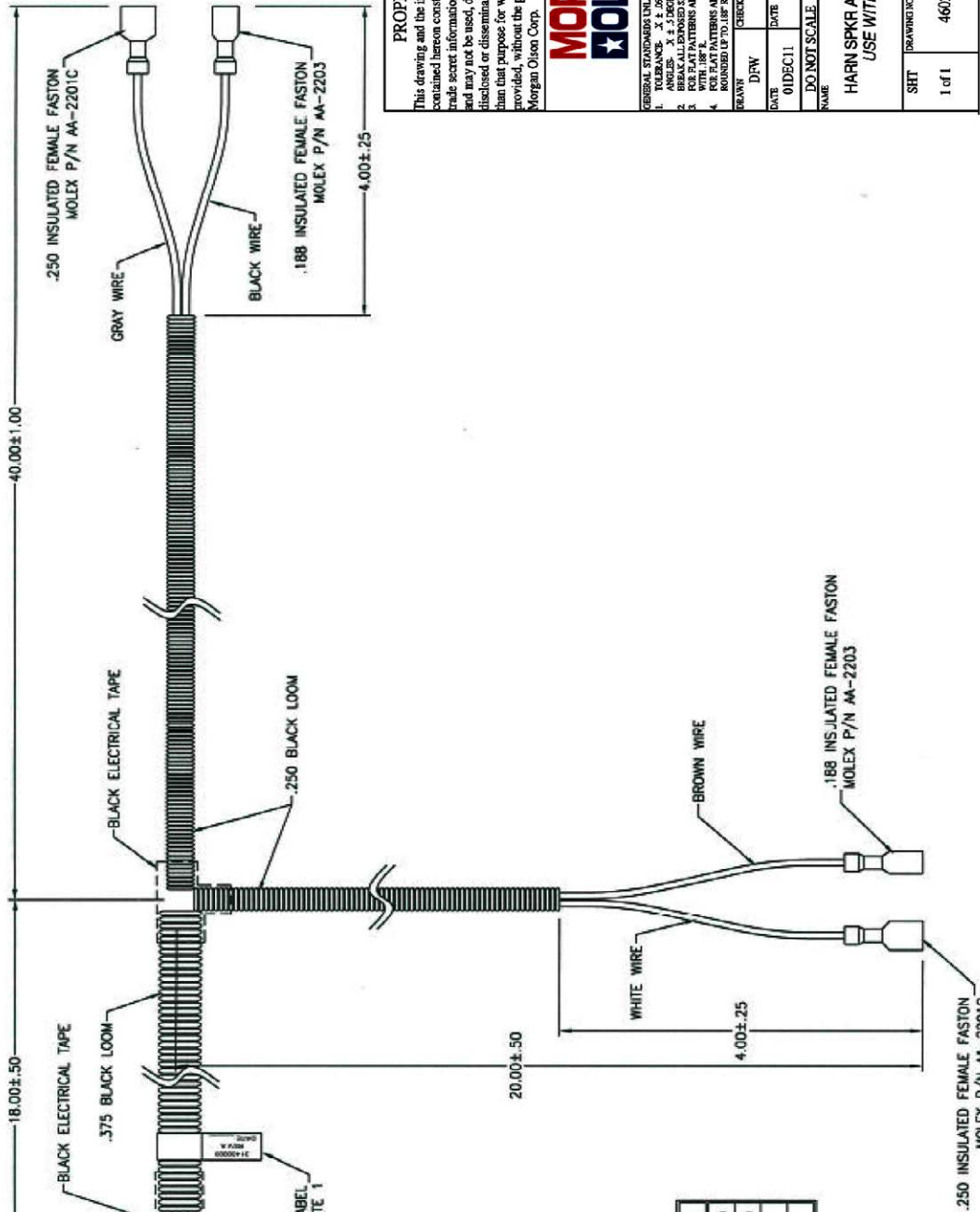
DATE	TMC	07-1852
20DEC07	20DEC07	20DEC07

DO NOT SCALE 2008 SEED TRK

HARN ROOF NOSE  
2008 SEED TRUCK  
2P DYN PK WPR

DRAWING NO. 007391210  
SCALE NONE  
REV A

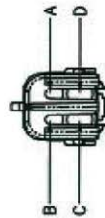
DESIGN REVISIONS	
REV	DATE
A	10/14/11 ORIGINAL



- NOTES:**
- 1) LABEL TO HAVE PART NUMBER, REVISION, AND DATE.
  - 2) ALL WIRES TO BE 20 GAUGE

4-PIN FEMALE PACKARD  
CONNECTOR P/N 12015024  
PACKARD PINS P/N 12124582  
PACKARD SEAL P/N 12015323

PART NUMBER LABEL  
SEE NOTE 1



VIEW A-A  
WIRE INSERTION VIEW

FIN NO.	WIRE COLOR	DESCRIPTION
A	BLACK	RIGHT SPEAKER (-)
B	GRAY	RIGHT SPEAKER (+)
C	BROWN	LEFT SPEAKER (-)
D	WHITE	LEFT SPEAKER (+)

**PROPRIETARY**  
This drawing and the information and data contained herein constitutes valuable proprietary trade secret information of Morgan Olson Corp. and may not be used, duplicated or further disclosed or disseminated for any purpose other than that purpose for which it was originally provided, without the prior written consent of Morgan Olson Corp.



GENERAL STANDARDS UNLESS OTHERWISE NOTED:  
1. TOLERANCES: X ± .00 XX ± .00 XXX ± .00  
ANGLES: 1 X ± .5 DEGREES  
2. DIMENSIONS ARE DECIMALS UNLESS OTHERWISE NOTED  
3. FOR FLAT PATTERNS ALL HOLE DIMENSIONS MUST BE WITH .0075  
4. DIMENSIONS ARE DECIMALS UNLESS OTHERWISE NOTED  
5. DIMENSIONS ARE TO FACILITATE MANUFACTURE  
REVISIONS: CHECKED: RELEASED NO: 37156  
DATE: 01DEC11 DATE: 01DEC11  
NAME: DO NOT SCALE

HARN SPKR ASA# MOSPKHRN  
USE WITH 46025590

SHEET	DRAWING NO.	SCALE
1 of 1	46025591	NONE

Business (unless otherwise specified) PART # **31400009**  
Drawing Scale: 1/16" = 1" (unless otherwise specified)  
Drawing Date: 10/14/11  
Drawing By: J. HAMILTON  
Drawing Title: HARN SPKR TO FASTON SPEAKERS  
Drawing No: 46025591  
Drawing Scale: NONE  
Drawing Date: 01DEC11  
Drawing By: J. HAMILTON  
Drawing Title: HARN SPKR TO FASTON SPEAKERS

Confidential: This drawing and the information contained herein are the property of Morgan Olson Corp. and are not to be distributed or reproduced without the written authorization of MOI.

2802 Marine Drive  
Elkhart, IN 46514  
**AS**electronics  
www.aselectronics.com

REV	DATE	DESCRIPTION
1	10/14/11	ORIGINAL

DOCUMENT REVISIONS





DRAWING NO.	REV.	SHT
093093203	B	1 of 2
DESCRIPTION	REV.	DATE
RELEASE TO PRODUCTION	CK.	
A REVISED DOME LAMP BREAKOUT LENGTH	L.M.	2/24/02
B REV'D DM LP B/O'S	D.F.W.	3/20/02

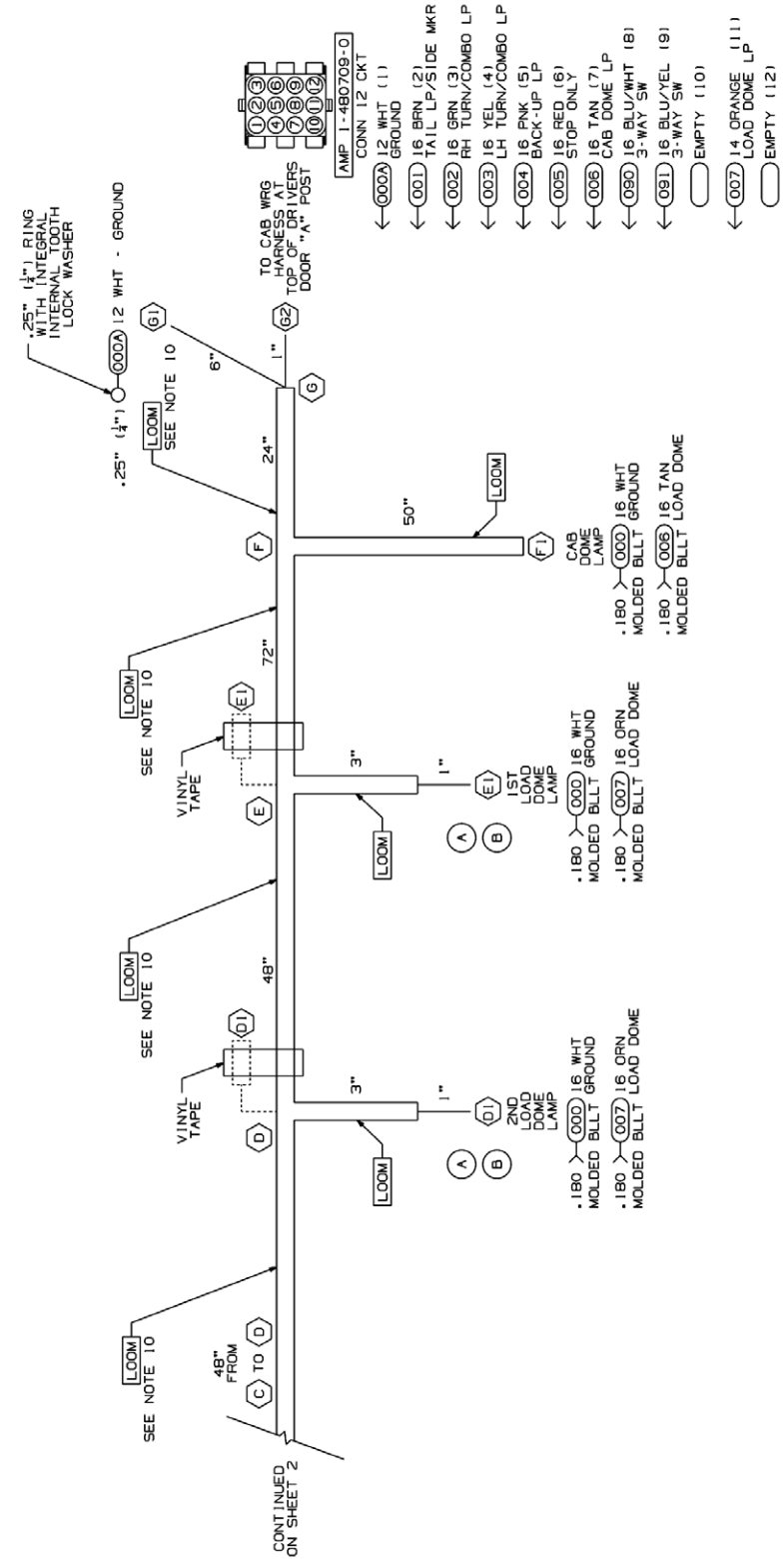
10. MAIN TRUNK OF HARNESS MUST FIT IN A .75 DIA. WIRE CHANNEL
9. THIS IS A PURCHASED HARNESS. NO BILL OF MATERIAL EXISTS.
8. VENDOR MAY REPLACE PIGTAILS WITH WIRING APPROVED MOLDINGS OR CONNECTORS. PIGTAILS SHOWN IN TERMINAL VIEW.
7. HARNESS TO BE TESTED FOR CONTACT OPENS, SHORTS, AND CONTINUITY.
6. CONNECTORS SHOWN FROM WIRE ENTRY SIDE, UNLESS OTHERWISE NOTED.
5. SPLICES TO BE AUTOMATED WITH HEAT SHRINK TUBING. HEAT SHRINK BUTT SPLICES ARE ACCEPTABLE FOR M-O FABRICATION IF NECESSARY.
4. TAPE [1111096]: 6" AT BREAKOUTS AND 2" AT LOOM ENDS.
3. HARNESS TO HAVE A LABEL SHOWING MORGAN OLSON PART NUMBER, REVISION NUMBER, DATE OF MANUFACTURE.
2. SPLIT POLY LOOM UNLESS OTHERWISE NOTED.
1. GXL WIRE.

**NOTES:**

PROPRIETARY

This document is the property of Morgan Olson. It is to be used only for the purpose intended. It is not to be reproduced, stored in a retrieval system, or transmitted in any form or by any means, electronic, mechanical, photocopying, recording, or by any information storage and retrieval system, without the prior written permission of Morgan Olson.

<b>MORGAN OLSON</b>	
GENERAL STANDARD UNLESS OTHERWISE NOTED	
1. MATEL: 1. 2. 3. 4. 5. 6. 7. 8. 9. 10. 11. 12. 13. 14. 15. 16. 17. 18. 19. 20. 21. 22. 23. 24. 25. 26. 27. 28. 29. 30. 31. 32. 33. 34. 35. 36. 37. 38. 39. 40. 41. 42. 43. 44. 45. 46. 47. 48. 49. 50. 51. 52. 53. 54. 55. 56. 57. 58. 59. 60. 61. 62. 63. 64. 65. 66. 67. 68. 69. 70. 71. 72. 73. 74. 75. 76. 77. 78. 79. 80. 81. 82. 83. 84. 85. 86. 87. 88. 89. 90. 91. 92. 93. 94. 95. 96. 97. 98. 99. 100.	
DATE	26836
DATE	21/APROB
DO NOT SCALE	
HARNESS ROOF 21'.24'6"	
M100 TRUCK .180F BLTT	
DRAWING NO.	093093203
SHT	1 of 2
SCALE	NONE
REV	B



**HARNESS AND LOOM TOLERANCES**

UP TO 60" : -0/+2"  
 60" TO 100" : -0/+4"  
 100" TO 200" : -0/+5"  
 200" TO 400" : -0/+6"  
 400" TO 600" : -0/+7"  
 OVER 600" : -0/+8"

BO TO BO : -0/+2"  
 OVERALL IS NOT ACCUMULATIVE. LENGTH APPLIES TO OVERALL HARNESS LENGTH, PRELIM TO END, OR LOOM.

DRAWING NO.	REV	SHT
093093203	B	2 of 2
DESCRIPTION	REV	DATE
RELEASE TO PRODUCTION	CK	
A REVISED DOME LAMP BREAKOUT LENGTH	LM	27/02
B REV'D DM LP B/O'S	DM	28/02

**SPLICE 1**  
000A 12 WHT IS TO BE SPLICED TO THE 0000 WHT CIRCUIT. VENDOR TO DETERMINE LOCATION(S)

CIRCUIT	DESCRIPTION	END POINTS	FUNCTION
000A	12 WHT	A1, G1, G2, SPLICE 1	GROUND
000	14/16 WHT	A2, B1, C1, D1, E1, F1, SPLICE 1	GROUND
001	16 BRN	A1, G2	CLERK/TCC LPS
002	16 GRN	A1, G2	RH TURN LP
003	16 YEL	A1, G2	LH TURN LP
004	16 PNK	A1, G2	BACK-UP LPS
005	16 RED	A1, G2	STOP LPS
006	16 TAN	F1, G2	CAB DOME LP
007	14/16 ORN	A2, B1, C1, D1, E1, F1, G2	LOAD DOME LAMPS
090	16 BLU/WHT	A1, G2	3-WAY SWITCH - LOAD DMS
091	16 BLU/YEL	A1, G2	3-WAY SWITCH - LOAD DMS

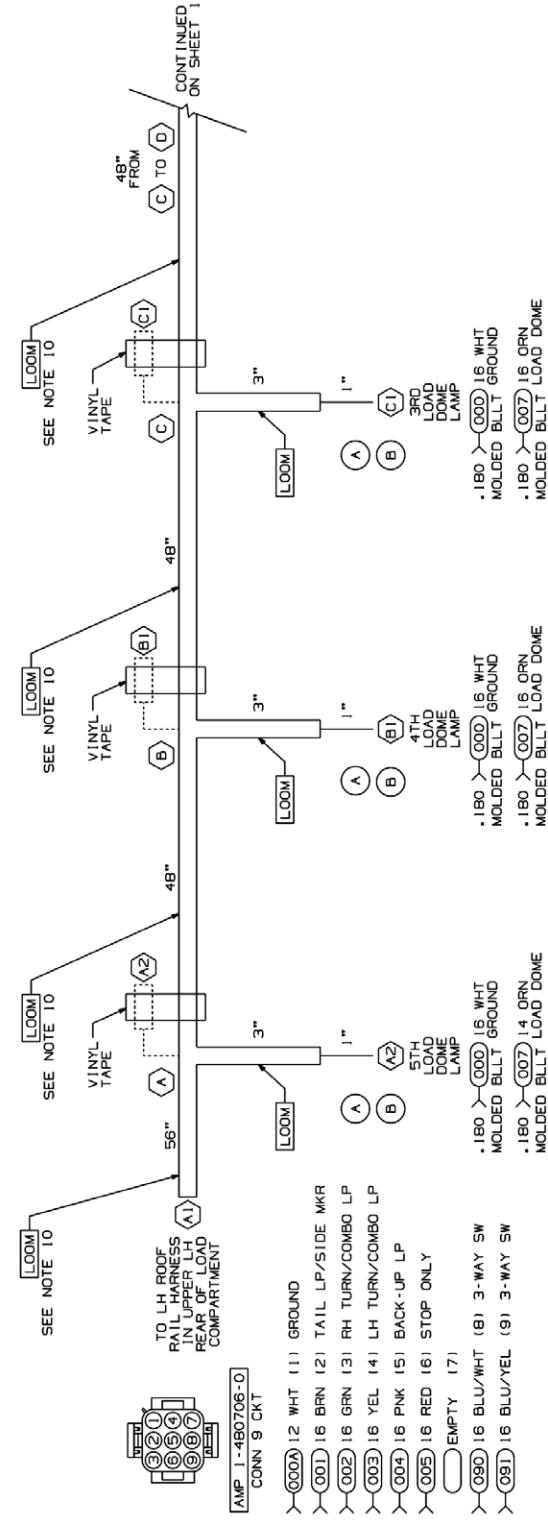
10. MAIN TRUNK OF HARNESS MUST FIT IN A .75 DIA. WIRE CHANNEL
9. THIS IS A PURCHASED HARNESS. NO BILL OF MATERIAL EXISTS.
8. VENDOR MAY REPLACE PIGTAILS WITH WIRING TO APPROVED MOLDINGS OR CONNECTORS. PIGTAILS SHOWN IN TERMINAL VIEW.
7. HARNESS TO BE TESTED FOR CONTACT OPEN'S, SHORTS, AND CONTINUITY.
6. CONNECTORS SHOWN FROM WIRE ENTRY SIDE, UNLESS OTHERWISE NOTED.
5. SPLICES TO BE AUTOMATED WITH HEAT SHRINK TUBING. HEAT SHRINK BUTT SPLICES ARE ACCEPTABLE FOR M-CO FABRICATION IF NECESSARY.
4. TAPE [1111096]: 6" AT BREAKOUTS AND 2" AT LOOM ENDS.
3. HARNESS TO HAVE A LABEL SHOWING MORGAN OLSON PART NUMBER, REVISION DATE OF MANUFACTURE.
2. SPLIT POLY LOOM UNLESS OTHERWISE NOTED.
1. GXL WIRE.

NOTES:  
 PROPRIETARY  
 This document is the property of Morgan Olson. It is to be used only for the purpose for which it was prepared. It is not to be distributed, copied, or otherwise used without the prior written consent of Morgan Olson.



DESIGN STANDARDS UNLESS OTHERWISE NOTED:	REV	DATE
1. WIRE: GXL	1	03/01
2. SPLIT POLY LOOM	1	03/01
3. TAPE: 1111096	1	03/01
4. END POINTS: ALL PARTS TO BE M-CO MANUFACTURE UNLESS OTHERWISE NOTED	1	03/01
DATE	DATE	DATE
21/APROB	21/APROB	21/APROB
DATE	DATE	DATE
21/APROB	21/APROB	21/APROB
DO NOT SCALE		
HARNESS ROOF 21'-24'6"		
M100 TRUCK .180F BLTT		
DRAWING NO.	SCALE	REV
093093203	NONE	B
SHT		
2 of 2		

**HARNESS AND LOOM TOLERANCES**  
 UP TO 60" : -0/+2"  
 60" TO 100" : -0/+4"  
 100" TO 200" : -0/+5"  
 200" TO 400" : -0/+6"  
 400" TO 600" : -0/+7"  
 OVER 600" : -0/+8"  
 BO TO BO : -0/+2"  
 TOLERANCE IS NOT ACCUMULATIVE. LENGTH APPLIES TO OVERALL HARNESS LENGTH, PRE-CUT, OR Loom.



AMP 1-480706-0  
CONN 9 CKT

DRAWING NO.	REV	SHT
093093205	B	1 of 1
DESCRIPTION	REV	DATE
RELEASE TO PRODUCTION	000	
REDRAWN & REVISED	A	
ADDED SERIAL CODE TO CONNECTOR AT H2	B	

**SPLICE 1**  
000A 12 WHT IS TO BE SPLICED TO THE 000 WHT CIRCUIT. VENDOR TO DETERMINE LOCATION(S)

CIRCUIT DESCRIPTION	END POINTS	FUNCTION
000A 12 WHT	A1, B1, H1, SPLICE 1	GROUND
000 14/16 WHT	A2, C1, D1, E1, F1, G1, H2, SPLICE 1	GROUND
001 16 BRN	A1, A2, C1, D1, F1, F1, H1, H2	CLER/ICC/MARKER LAMPS
002 16 GRN	A1, E1, H1, H2	RH TURN/COMBO LP
003 16 YEL	E1, H1, H2	LH TURN/COMBO LP
004 16 PNK	A1, H1, H2	BACK-UP LAMPS
005 16 RED	A1, E1, H1, H2	STOP ONLY LAMPS
090 16 BLU/WHT	A1, H1	3-WAY SWITCH
091 16 BLU/YEL	A1, H1	3-WAY SWITCH

- < 000A 12 WHT (1) GROUND
- < 001 16 BRN (2) TAIL LP/SIDE MKR
- < 002 16 GRN (3) RH TURN/COMBO LP
- < 003 16 YEL (4) LH TURN/COMBO LP
- < 004 16 PNK (5) BACK-UP LP
- < 005 16 RED (6) STOP ONLY
- < 090 16 BLU/WHT (8) 3-WAY SW
- < 091 16 BLU/YEL (9) 3-WAY SW

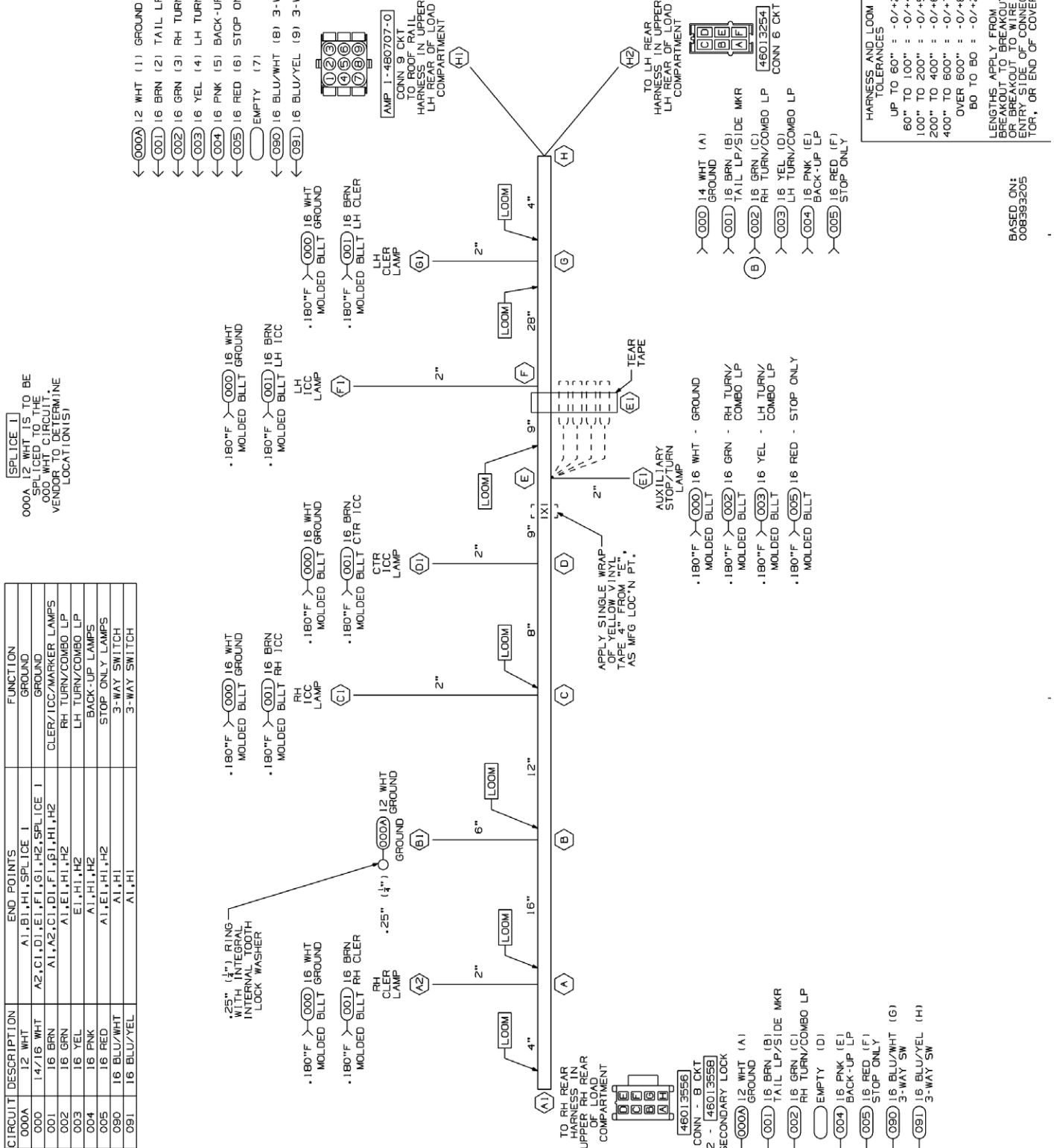
10. VENDOR TO GREASE FEMALE BULLET TERMINALS.
9. THIS IS A PURCHASED HARNESS. NO BILL OF MATERIAL EXISTS.
8. VENDOR MAY REPLACE PIGTAILS WITH WIRING TO APPROVED MOLDINGS OR CONNECTORS. PIGTAILS SHOWN IN TERMINAL VIEW.
7. HARNESS TO BE TESTED FOR CONTENT, OPENS, SHORTS, AND CONTINUITY.
6. CONNECTORS SHOWN FROM WIRE ENTRY SIDE, UNLESS OTHERWISE NOTED.
5. SPLICES TO BE AUTOMATED WITH SOLDER, AND ADHESIVE LINED HEAT SHRINK TUBING.
4. TAPE [111098] 6" AT BREAKOUTS AND 2" AT LOOM ENDS.
3. HARNESS TO HAVE A LABEL SHOWING MORGAN NOLSON PART NUMBER, REVISION LEVEL AND DATE OF MANUFACTURE.
2. SPLIT POLY LOOM UNLESS OTHERWISE NOTED.
1. OXL WIRE.

NOTES:

PROPRIETARY  
This document is the property of Morgan Olson. It is to be used only for the purpose of manufacturing and repair. All rights are reserved. No part of this document may be reproduced or transmitted in any form or by any means, electronic or mechanical, including photocopying, recording, or by any information storage and retrieval system, without the prior written permission of Morgan Olson.



REV	DATE	DESCRIPTION
000		
A		
B		



**HARNESS AND LOOM TOLERANCES**

UP TO 60"	-0/+2"
60" TO 100"	-0/+4"
100" TO 200"	-0/+5"
200" TO 400"	-0/+6"
400" TO 600"	-0/+7"
OVER 600"	-0/+8"
BO TO BO	-0/+2"

LENGTHS APPLY FROM BREAKOUT TO WIRE ENTRY SIDE OF CONNECTOR, OR END OF COVER.

BASED ON: 008393205

DRAWING NO.	REV	SHT
112079204		1 OF 1
DESCRIPTION	BY	DATE
RELEASE FOR PRODUCTION		
REV.	CHK.	

9. THIS IS A PURCHASED HARNESS. NO BILL OF MATERIAL EXISTS.
8. VENDOR MAY REPLACE PIGTAILS WITH WIRING TO APPROVED MOLDINGS OR CONNECTORS. PIGTAILS SHOWN IN TERMINAL VIEW.
7. HARNESS TO BE TESTED FOR CONTENT, OPENS, SHORTS, AND CONTINUITY.
6. CONNECTORS SHOWN FROM WIRE ENTRY SIDE, UNLESS OTHERWISE NOTED.
5. SPLICES TO BE AUTOMATED WITH SOLDER AND ADHESIVE LINED HEAT SHRINK TUBING.
4. TAPE [111096]: 6" AT BREAKOUTS, 2" AT 18" INTERVALS FOR UNINTERRUPTED LOOM LENGTHS GREATER THAN 24", AND 2" AT LOOM ENDS.
3. HARNESS TO HAVE A LABEL SHOWING MORGAN OLSON PART NUMBER, REVISION LEVEL, AND DATE OF MANUFACTURE.
2. SPLIT POLY LOOM, UNLESS OTHERWISE NOTED.
1. GXL WIRE.

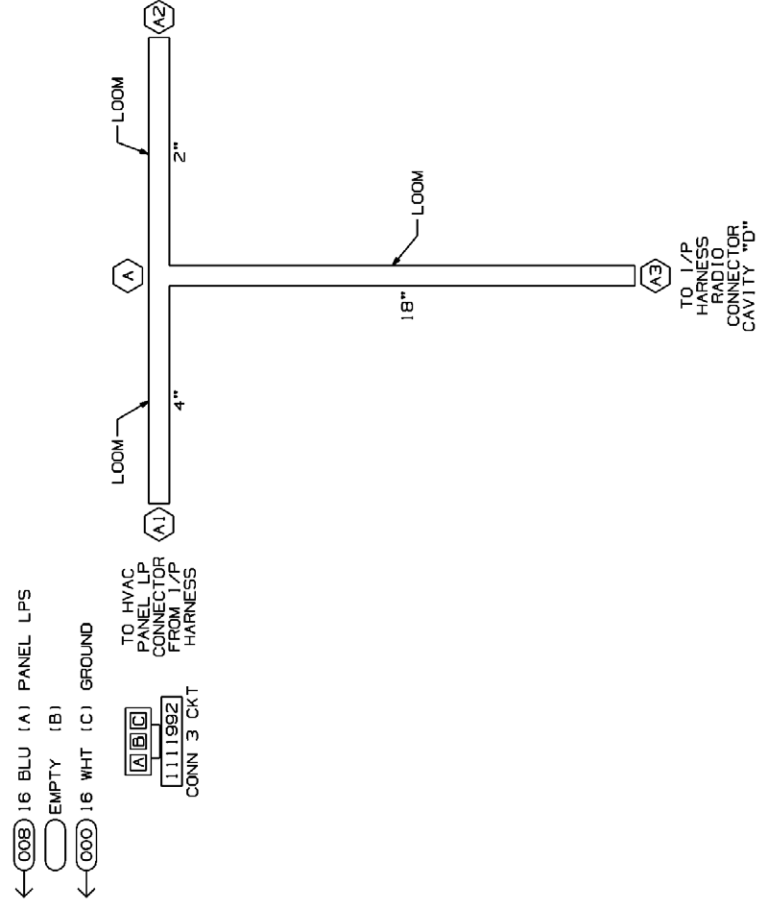
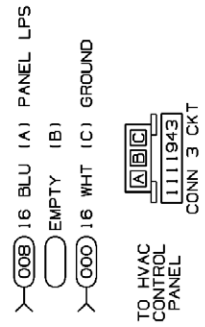
NOTES:

**PROPRIETARY**  
 This drawing and the information and data contained hereon shall be the property of Morgan Olson and shall be used for the production of parts only. It is not to be used for any other purpose without the written consent of Morgan Olson.



GENERAL STANDARDS UNLESS OTHERWISE NOTED:	
1. TOLERANCES - .015 ± .000	.015 ± .000
2. BREAK ALL EXPOSED SHARP EDGES AND DEBURR.	
3. WITH ALL PARTS, ALL INSIDE CORNERS MUST BE ROUNDED TO A MINIMUM RADIUS OF .015 INCH.	
4. ALL DIMENSIONS ARE TO CENTER UNLESS OTHERWISE NOTED.	
DRAWN	CHECKED
DFW	35198
DATE	DATE
08JUN11	08JUN11
DO NOT SCALE	
NAME	
HARN ROO PNL LMP FD	
DRAWING NO.	SCALE
112079204	NONE
SHT	REV
1 OF 1	

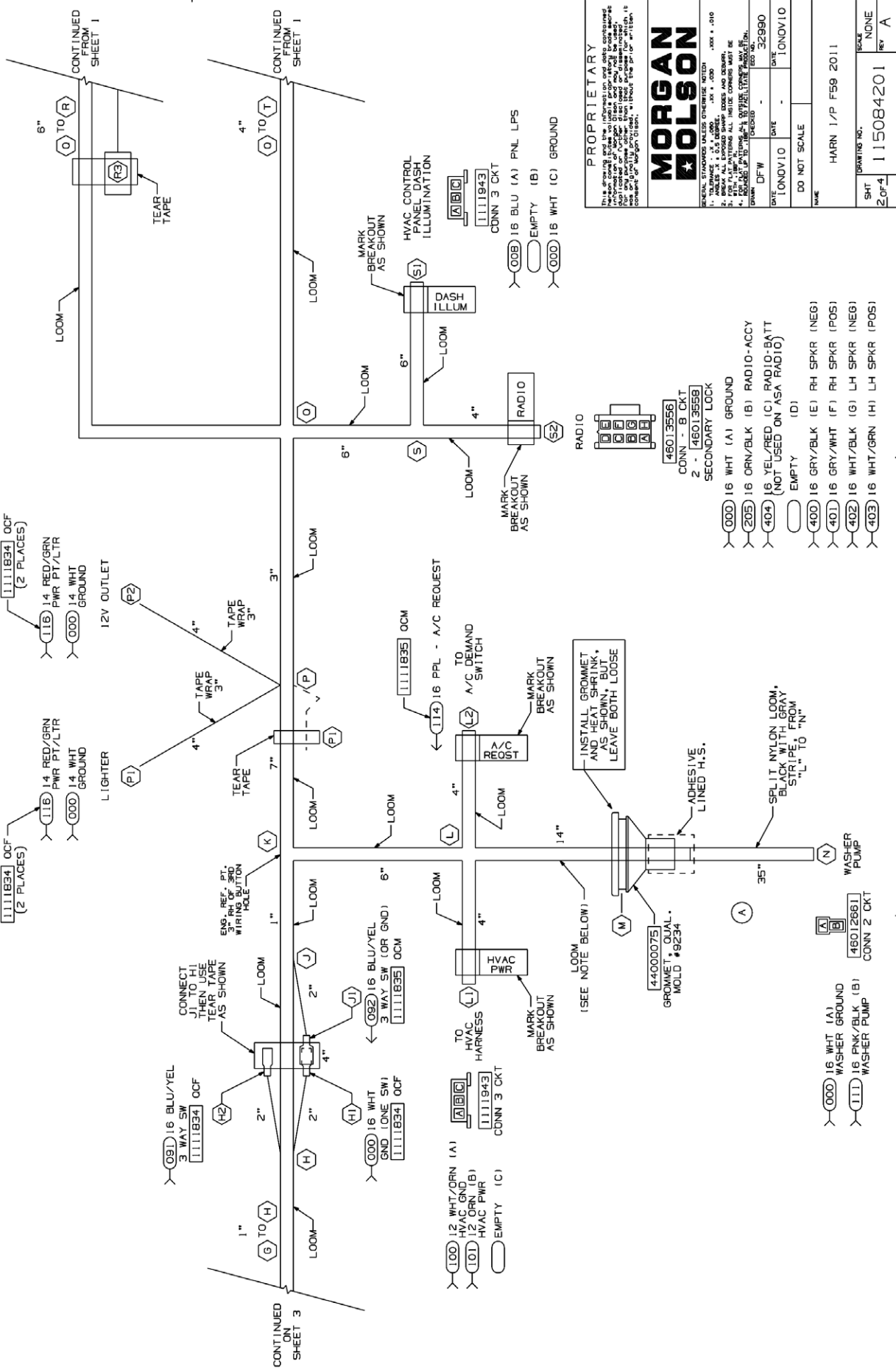
**HARNESS AND LOOM TOLERANCES**  
 UP TO 60" = -0/+2"  
 60" TO 100" = -0/+4"  
 100" TO 200" = -0/+5"  
 200" TO 400" = -0/+6"  
 400" TO 600" = -0/+7"  
 OVER 600" = -0/+8"  
 BO TO BO = -0/+2"  
 LENGTHS APPLY FROM BREAKOUT TO BREAKOUT, OR BREAKOUT TO WIRE ENTRY SIDE OF CONNECTOR, OR END OF COVER.



FIRST USE:  
 CV100986  
 BASED ON:  
 112079203



DRAWING NO.	115084201	REV	A	SHT	2 OF 4
DESCRIPTION	RELEASE FOR PRODUCTION				
DATE					
BY					
CHECKED					
APPROVED					
REV.	A. ADD. 4" WASHER DROP				



**PROPRIETARY**  
This drawing is the property of Morgan Olson. It is not to be reproduced, copied, or disseminated in any form without the prior written consent of Morgan Olson. All rights reserved.

**MORGAN OLSON**

SEVERAL STANDARDS UNLESS OTHERWISE NOTED:  
 1. WIRE GAUGE: AWG  
 2. WIRE COLOR: AS SHOWN  
 3. WIRE TYPE: PLASTIC INSULATED  
 4. ALL WIRING SHALL BE PROTECTED BY A RATED OVERCURRENT DEVICE.  
 5. ALL WIRING SHALL BE PROTECTED BY A RATED OVERCURRENT DEVICE.  
 6. ALL WIRING SHALL BE PROTECTED BY A RATED OVERCURRENT DEVICE.

DATE: 10NOV10  
 DWG NO: 32990  
 DO NOT SCALE  
 NAME: HARN 1/P F59 2011

SHT: 2 OF 4  
 REV: A

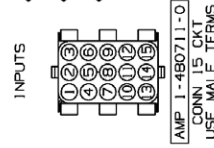
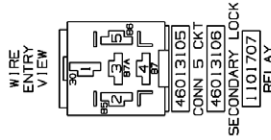
- 460135556 CONN - 8 CKT
- 2 - 460135558 SECONDARY LOCK
- 16 WHT (A) GROUND
- 16 GRN/BLK (B) RADIO-ACCY
- 16 YEL/RED (C) RADIO-BATT (NOT USED ON ASA RADIO)
- EMPTY (D)
- 16 GRY/BLK (E) RH SPKR (NEG)
- 16 GRY/WHT (F) RH SPKR (POS)
- 16 WHT/BLK (G) LH SPKR (NEG)
- 16 WHT/GRN (H) LH SPKR (POS)





DRAWING NO.	REV	SHT
115084201	B	4 OF 4
DESCRIPTION	DATE	BY
RELEASE FOR PRODUCTION		
A ADD 4" TO WASH DRP P22		
B REV'D B/O "P22"		

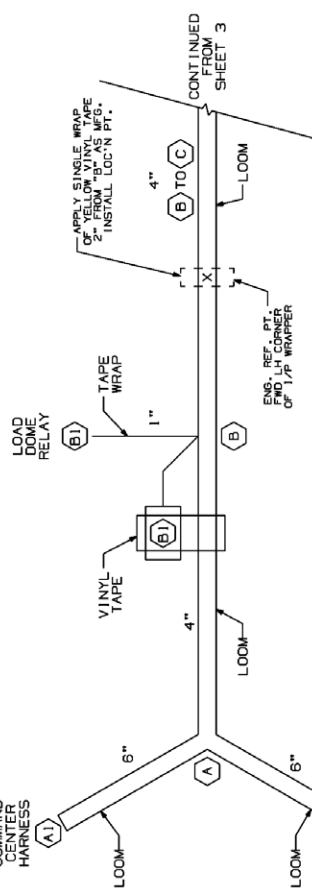
- ← (000) 12 WHT (11) BODY GROUND
- ← (008) 16 BLU (2) PANEL LAMPS
- ← (009) 14 RED (3) BATTERY-DOME LPS
- ← (090) 16 BLU/WHT (4) 3-WAY SWITCH
- ← (091) 16 BLU/YEL (5) 3-WAY SWITCH
- ← (101) 12 ORN (6) ACCESSORY-HVAC
- ← (111) 16 Pnk/BLK (7) WASHER PUMP
- ← (118) 14 RED/GRN (8) BATT-12V OUTLET
- ← (118) 16 BLK/RED (9) DOME RLY COIL B+
- ← (204) 14 RED/BLK (10) BATTERY-AUX
- ← (206) 14 ORN/WHT (11) ACCESSORY-AUX
- EMPTY (12)
- ← (404) 16 YEL/RED (13) BATTERY-RADIO
- ← (205) 16 ORN/BLK (14) ACCY-FAN,CAM,ROO
- ← (114) 16 PPL (15) A/C REQUEST



CIRCUIT	DESCRIPTION	END POINTS	FUNCTION
000	12/14/16 WHT	A1,C1,R1,R2,R3,S1,S2,T1,U1	GROUND
006	16 BRN/YEL	F1,R1	CAB DOME LAMP SWITCH OUTPUT
007	14/16 ORN	A2,B1,F2,R2	LOAD DOME LAMP(S)
008	16 BLU	A1,T1,U1,R1,R2,R3,S1	PANEL LAMPS (THRU DIMMER SWITCH)
009	14/16 RED	A1,B1,R1	DOME BATTERY FEED
036	16 BRN/WHT	C1,E1	CAB DOME TO TIMER
046	16 TAN	A2,C1,R1	CAB DOME LAMP
090	16 BLU/WHT	A1,R2	LOAD DOME LAMPS 3-WAY SWITCH
091	16 BLU/YEL	A1,H2	LOAD DOME LAMPS 3-WAY SWITCH
092	16 BLU/YEL	J1,R2	LOAD DOME LAMPS 3-WAY SWITCH
100	12 WHT/GRN	G2,L1	ELECTRIC HVAC GROUND
101	12 ORN	A1,L1	ELECTRIC HVAC ACCESSORY POWER
111	16 Pnk/BLK	A1,N	WASHER PUMP
114	16 PPL	A1,L2	A/C REQUEST
116	14 RED/GRN	A1,P1,P2	LIGHTER (BATTERY)
117	16 WHT/RED	B1,D1,R2	LOAD DOME LAMPS RELAY COIL GROUND
118	16 BLK/RED	A1,D1	LOAD DOME LAMPS RELAY COIL BATTERY
122	16 GRN/WHT	B1,D1	LOAD DOME LAMPS RELAY COIL GROUND - AUX
200	12 WHT/RED	G1,G2	BATTERY POWER - AUX
204	14 RED/BLK	A1,G1,U1	FAN/RADIO ACCESSORY FEED
205	16 ORN/BLK	A1,R3,S2	ACCESSORY POWER - AUX
206	14 ORN/WHT	A1,G1,T1	AUX ACCESSORY POWER - SWITCHED
224	14 RED/GRN	A2,U1	AUX ACCESSORY POWER - SWITCHED
304	16 YEL/BLK	A2,R3,U2	DASH FAN LOW
305	16 GRN/BLK	A2,R3,U2	DASH FAN HIGH
**400*	16 GRN/BLK	A2,S2	RH SPEAKER (NEGATIVE)
**401*	16 GRN/WHT	A2,S2	RH SPEAKER (POSITIVE)
**402*	16 WHT/BLK	A2,S2	LH SPEAKER (NEGATIVE)
**403*	16 WHT/GRN	A2,S2	LH SPEAKER (POSITIVE)
404	16 YEL/RED	A1,S2	RADIO BATTERY FEED
JPR1	16 TAN	C2,C2	CAB DOME JUMPER
JPR2	16 GRN	D2,D2	LOAD DOME JUMPER

• OPTIONAL: CIRCUITS 400 & 401 MAY BE SUPPLIED AS STANDARD SPEAKER "ZIP CORD" PAIRS. CIRCUIT NUMBER AND CONNECTOR INDEXING MUST BE MAINTAINED AS SHOWN.

• OPTIONAL: CIRCUITS 402 & 403 MAY BE SUPPLIED AS STANDARD SPEAKER "ZIP CORD" PAIRS. CIRCUIT NUMBER AND CONNECTOR INDEXING MUST BE MAINTAINED AS SHOWN.



- ← (007) 14 ORN (1) LOAD DOME LAMPS
- ← (046) 16 TAN (2) TO CAB DOME LAMPS
- EMPTY (3)
- ← (224) 14 RED/GRN (4) SWITCHED BAT LOAD
- ← (226) 14 ORN/GRN (5) SWITCHED ACY LOAD
- ← (304) 16 YEL/BLK (6) DASH FAN LOW
- ← (305) 16 GRN/BLK (7) DASH FAN HIGH
- ← (400) 16 GRN/BLK (8) RH SPEAKER-NEG
- ← (401) 16 GRN/WHT (9) RH SPEAKER-POS
- ← (402) 16 WHT/BLK (10) LH SPEAKER-NEG
- ← (403) 16 WHT/GRN (11) LH SPEAKER-POS
- EMPTY (12)

**PROPRIETARY**

This drawing is the property of Morgan-Nolson. It is to be used only for the specific project and location for which it was prepared. It is not to be reproduced, copied, or transmitted in any form or by any means, electronic or mechanical, including photocopying, recording, or by any information storage and retrieval system, without the prior written permission of Morgan-Nolson.

**MORGAN NOLSON**

SEVERAL STANDARDS UNLESS OTHERWISE NOTED:  
 1. DIMENSIONS: 1/16" INCREMENTS  
 2. DIMENSIONS: 1/32" INCREMENTS  
 3. DIMENSIONS: 1/64" INCREMENTS  
 4. DIMENSIONS: 1/128" INCREMENTS  
 DRAWN: J.P.B. DATE: 10/10/10  
 CHECKED: J.P.B. DATE: 10/10/10

DATE: 10NOV10 DATE: 10NOV10  
 DFW: 32990  
 DO NOT SCALE

NAME: HARN 1/P F59 2011

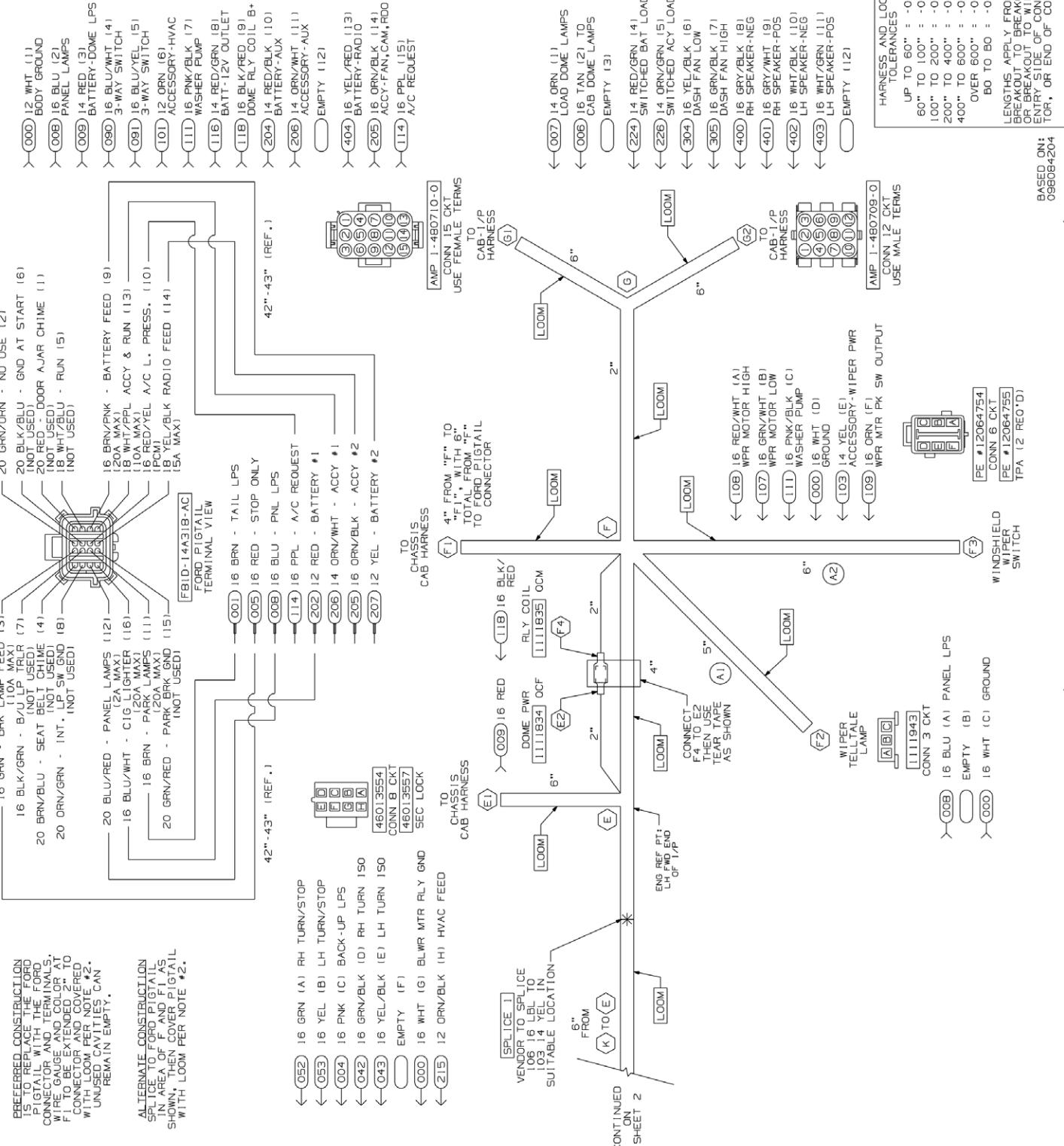
DRAWING NO.: 115084201  
 SCALE: NONE  
 SHT: 4 OF 4  
 REV: B

DRAWING NO.	REV	SHT
115084202	A	1 of 3
DESCRIPTION	DATE	BY
RELEASE FOR PRODUCTION		
A 11 5" LOOMED WAS 2"	08/03	DEW
A 21 6" WAS 4"	08/03	DEW

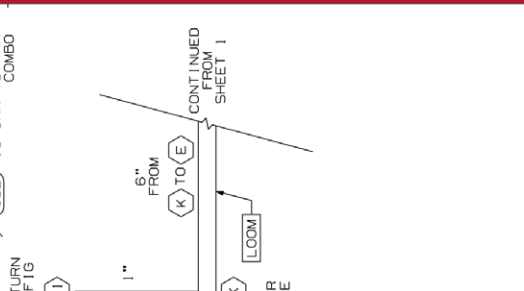
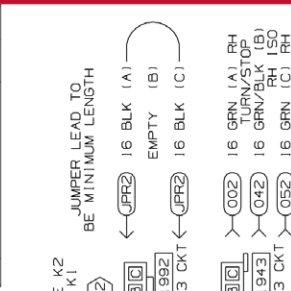
- THIS IS A PURCHASED HARNESS. NO BILL OF MATERIAL EXISTS.
- VENDOR MAY REPLACE APPROXIMATELY 10% OF CONNECTORS. PIGTAILS SHOWN IN TERMINAL VIEW.
- HARNESS TO BE TESTED FOR CONTINUITY, SHORTS, CONNECTORS SHOWN FROM WIRE ENTRY SIDE, UNLESS OTHERWISE NOTED.
- SPLICES TO BE AUTOMATED WITH SOLDER, AND ADHESIVE LINED HEAT SHRINK TUBING.
- TAPE [1111098]: 6" AT BREAKOUTS, 2" AT 18" INTERVALS FOR UNINTERRUPTED LOOM LENGTHS GREATER THAN 24", AND 2" AT LOOM ENDS.
- HARNESS TO HAVE A LABEL SHOWING MORGAN OLSON PART NUMBER, REVISION NUMBER, AND DATE OF MANUFACTURE.
- SPLIT POLY LOOM UNLESS OTHERWISE NOTED.
- GYL WIRE.

**PROPRIETARY**  
 This wire harness is the property of Morgan Olson. It is not to be copied, reproduced, or used in any way without the express written consent of Morgan Olson. All rights reserved. © 2011 Morgan Olson. All other trademarks are the property of their respective owners. This document is the property of Morgan Olson and is not to be distributed outside of the company without the prior written consent of Morgan Olson.

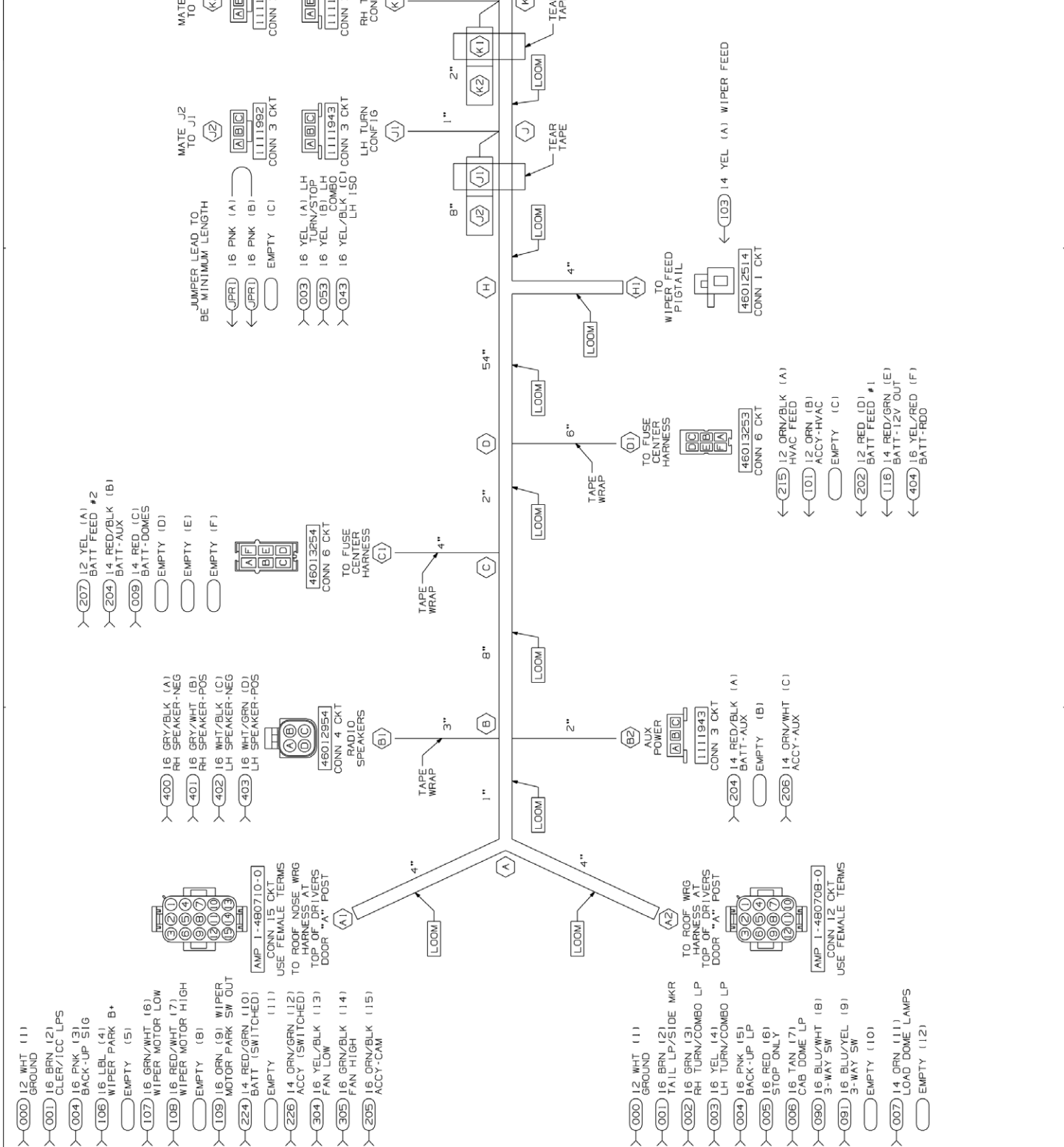
DATE	DATE	DATE
08NOV10	08NOV10	08NOV10
DO NOT SCALE	2011 F-59 M-100	
HARN CWD CTR F59 2011		
DRAWING NO.	SCALE	SHT
115084202	NONE	1 of 3
REV		A



DRAWING NO.	REV	SHT
115084202	A	2 OF 3
DESCRIPTION	REV	DATE
RELEASE FOR PRODUCTION		
11 5" LOMED WAS 2"	DEW	3/26/03
UNLOADED		
21 6" WAS 4"	SPERLL	



<b>PROPRIETARY</b>	
This drawing is the property of Morgan Olson. It is to be used for production only. It is not to be reproduced, copied, or distributed without the prior written consent of Morgan Olson.	
<b>MORGAN NOLSON</b>	
SERIAL STANDARDS UNLESS OTHERWISE NOTED:	
1. ANGLES: 1: 1.5: 1.5	XXX * .010
2. DIMENSIONS: 1: 1.5: 1.5	XXX * .010
3. DIMENSIONS: 1: 1.5: 1.5	XXX * .010
4. DIMENSIONS: 1: 1.5: 1.5	XXX * .010
5. DIMENSIONS: 1: 1.5: 1.5	XXX * .010
6. DIMENSIONS: 1: 1.5: 1.5	XXX * .010
DATE	DFW
06NOV10	32990
DO NOT SCALE	2011 F-59 M-100
NAME: HARN CMD CTR F59 2011	
DRAWING NO.	SCALE
115084202	NONE
SHT	REV
2 OF 3	A



- > (000) 12 WHT (1) GROUND
- > (001) 16 BRN (2) CLER/1CC LPS
- > (004) 16 PNK (3) BACK-UP SIG
- > (106) 16 LBL (4) WIPER PARK B+
- > (107) 16 GRN/WHT (6) WIPER MOTOR LOW
- > (108) 16 RED/WHT (7) WIPER MOTOR HIGH
- > (109) 16 GRN (9) WIPER MOTOR PARK SW OUT
- > (224) 14 RED/GRN (10) BATT (SWITCHED)
- > (226) 14 GRN/GRN (12) ACCY (SWITCHED)
- > (304) 16 YEL/BLK (13) FAN LOW
- > (305) 16 GRN/BLK (14) FAN HIGH
- > (306) 16 GRN/BLK (15) ACCY-CAM
- > (002) 16 GRN (3) TAIL LP/SIDE MKR
- > (003) 16 YEL (4) LH TURN/COMBO LP
- > (004) 16 PNK (5) BACK-UP LP
- > (005) 16 RED (6) STOP ONLY
- > (006) 16 TAN (7) CAB DOME LP
- > (090) 16 BLU/WHT (8) 3-WAY SW
- > (091) 16 BLU/YEL (9) 3-WAY SW
- > (007) 14 GRN (11) LOAD DOME LAMPS
- > ( ) EMPTY (12)
- > (207) 12 YEL (A) BATT FEED #2
- > (204) 14 RED/BLK (B) BATT-AUX
- > (009) 14 RED (C) BATT-DOMES
- > ( ) EMPTY (D)
- > ( ) EMPTY (E)
- > ( ) EMPTY (F)
- > (400) 16 GRY/BLK (A) RH SPEAKER-NEG
- > (401) 16 GRY/WHT (B) RH SPEAKER-POS
- > (402) 16 WHT/BLK (C) LH SPEAKER-NEG
- > (403) 16 WHT/GRN (D) LH SPEAKER-POS
- > (46012954) CONN 4 CKT RADIO SPEAKERS
- > (46013253) CONN 6 CKT TO FUSE CENTER HARNESS
- > (46012514) CONN 1 CKT WIPER FEED PIGTAIL
- > (215) 12 GRN/BLK (A) HVAC FEED
- > (101) 12 GRN (B) ACCY-HVAC
- > ( ) EMPTY (C)
- > (202) 12 RED (D) BATT FEED #1
- > (116) 14 RED/GRN (E) BATT-12V OUT
- > (404) 16 YEL/RED (F) BATT-RDD
- > (002) 16 GRN (A) RH TURN/STOP
- > (042) 16 GRN/BLK (B) RH ISO
- > (052) 16 GRN (C) RH COMBO
- > (002) 16 GRN (A) RH TURN/STOP
- > (042) 16 GRN/BLK (B) RH ISO
- > (052) 16 GRN (C) RH COMBO
- > (003) 16 YEL (A) LH TURN/STOP
- > (053) 16 YEL (B) LH COMBO
- > (043) 16 YEL/BLK (C) LH ISO
- > (003) 16 YEL (A) LH TURN/STOP
- > (053) 16 YEL (B) LH COMBO
- > (043) 16 YEL/BLK (C) LH ISO

DRAWING NO.	REV	SHT
115084202	A	3 of 3
DESCRIPTION	BY	ECO NO.
RELEASE FOR PRODUCTION	CHK.	DATE
11 5" LOMED WAS 2"	DFW	33993
21 6" WAS 4"		09FEB11

CIRCUIT	DESCRIPTION	END POINTS	FUNCTION
000	12/16 WHT	A1,A2,E1,F2,F3,G1	GROUND
001	16 BRN	A1,A2,F1	TAIL/CLER/WRKR LAMPS
002	16 GRN	A2,K1	RIGHT HAND TURN/STOP LAMP
003	16 YEL	A2,J1	LEFT HAND TURN/STOP LAMP
004	16 PNK	A1,A2,E1	BACK-UP LP SIGNAL
005	16 RED	A2,F1	STOP ONLY LAMP
006	16 TAN	A2,G2	CAB DOME LAMP
007	14 ORN	A2,G2	LOAD DOME LAMP(S)
008	16 BLU	F1,F2,G1	DASH ILLUM
009	14/16 RED	C1,E2,G1	BATTERY-DOME LAMP
042	16 GRN/BLK	E1,K1	RH TURN ISO
043	16 YEL/BLK	E1,J1	LH TURN ISO
052	16 GRN	E1,K1	RH TURN/STOP
053	16 YEL	E1,J1	LH TURN/STOP
090	16 BLU/WHT	A2,G1	LOAD DM 3W SW
091	16 BLU/YEL	A2,G1	LOAD DM 3W SW
101	12 ORN	D1,G1	ACCESSORY-ELECTRIC HVAC POWER
103	14 YEL	H1,F3,SPLICE 1	ACCESSORY WIPER POWER
106	16 LBL	A1,SPLICE 1	WIPER PARK (B+)
107	16 GRN/WHT	A1,F3	WIPER MOTOR LOW
108	16 RED/WHT	A1,F3	WIPER MOTOR HIGH
109	16 ORN	A1,F3	WPR MOTOR PARK SWITCH OUTPUT
111	16 PNK/BLK	F3,G1	WASHER PUMP
114	16 PPL	F1,G1	A/C REQUEST
116	14 RED/GRN	D1,G1	BATTERY-12V OUTLET/LTR
118	16 BLK/RED	F4,G1	LOAD DOME RELAY COIL (B+)
202	12 RED	D1,F1	BATTERY FEED #1
204	14 RED/BLK	B2,C1,G1	BATTERY-AUXILIARY
205	16 ORN/BLK	A1,F1,G1	ACCESSORY-FAN,CAM,RDD
206	14 ORN/WHT	B2,F1,G1	ACCESSORY-AUXILIARY
207	12 YEL	C1,F1	BATTERY FEED #2
215	12 ORN/BLK	D1,E1	ACCESSORY-HVAC FEED
224	14 RED/GRN	A1,G2	BATTERY-AUXILIARY SWITCHED
226	14 ORN/GRN	A1,G2	ACCESSORY-AUXILIARY SWITCHED
304	16 YEL/BLK	A1,G2	DASH FAN LOW
305	16 GRN/BLK	A1,G2	DASH FAN HIGH
*400	16 GRN/BLK	B1,G2	RH SPEAKER (-)
*401	16 GRY/WHT	B1,G2	RH SPEAKER (+)
*402	16 WHT/BLK	B1,G2	LH SPEAKER (-)
*403	16 WHT/GRN	B1,G2	LH SPEAKER (+)
404	16 YEL/RED	D1,G1	BATTERY-RADIO
JPR1	16 PNK	J2,J2	LH TURN JUMPER
JPR2	16 BLK	K2,K2	RH TURN JUMPER

- OPTIONAL: CIRCUITS 400 & 401 MAY BE SUPPLIED AS STANDARD SPEAKER "ZIP CORD" PAIRS. CIRCUIT NUMBER AND CONNECTOR INDEXING MUST BE MAINTAINED AS SHOWN.
- OPTIONAL: CIRCUITS 402 & 403 MAY BE SUPPLIED AS STANDARD SPEAKER "ZIP CORD" PAIRS. CIRCUIT NUMBER AND CONNECTOR INDEXING MUST BE MAINTAINED AS SHOWN.

**PROPRIETARY**

This drawing and the information contained hereon are the property of Morgan Olson and shall be used for the purpose intended only. No part of this drawing may be reproduced or transmitted in any form or by any means, electronic, mechanical, photocopying, recording, or by any information storage and retrieval system, without the prior written consent of Morgan Olson.

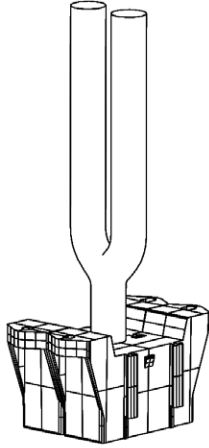


REASON: DIMENSIONS UNLESS OTHERWISE NOTED:  
 1. TOLERANCE: ± .000 INCHES  
 2. ANGLES: ± 0.5 DEGREE  
 3. FOR FLAT PATTERNS ALL INSIDE CORNERS MUST BE ROUNDED TO .015 INCHES  
 4. FOR FLAT PATTERNS ALL OUTSIDE CORNERS MAY BE ROUNDED TO .1 INCHES UNLESS OTHERWISE NOTED.  
 DRAWN: DFW  
 CHECKED: [blank]  
 ECO NO.: 32990

DATE	06NOV10	DATE	06NOV10
DO NOT SCALE	2011 F-59 M-100	NAME	HARN CMD CTR F59 2011

SHT	3 of 3	DRAWING NO.	115084202	SCALE	NONE
REV	A				A

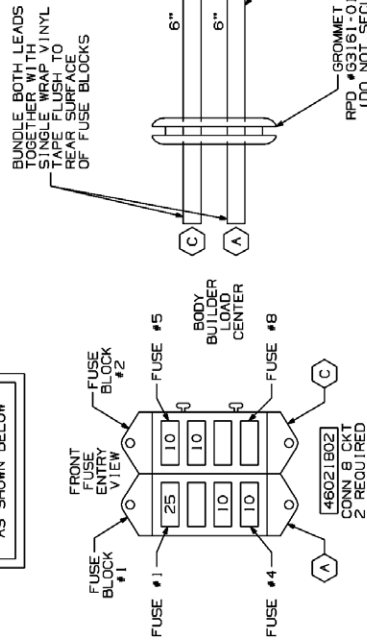
DRAWING NO.	REV	SHT
115084203		1 of 1
DESCRIPTION	REV	DATE
RELEASE FOR PRODUCTION		



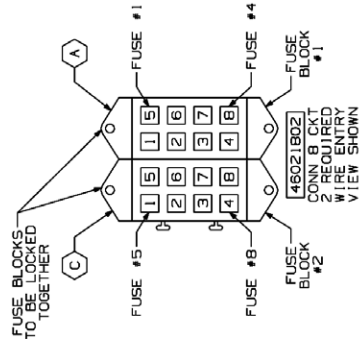
LAY OF WIRE TO BE SUCH THAT TERMINAL POINTS OF WIRE FROM REAR CENTER OF FUSE BLOCK ASSEMBLY, AS SHOWN

CIRCUIT	DESCRIPTION	END POINTS	FUNCTION
009	14 RED	C,D	HOME LAMP POWER
101	12 ORN	A,B	HVAC POWER
116	14 RED/GRN	A,B	LTR/12V POWER
202	12 RED	A,B	BATT FEED #1
204	14 RED/BLK	C,D	AUX BATT POWER
207	12 YEL	C,D	BATT FEED #2
215	12 ORN/BLK	A,B	HVAC FEED
404	16 YEL/RED	A,B	RADIO BATT POWER

NOTE: FUSES AND FUSEBLOCKS MUST BE ORIENTED AS SHOWN BELOW



- ← (207) 12 YEL (A) BATT FEED #2 (20A MAX.)
- ← (204) 14 RED/BLK (B) AUX BATT PWR
- ← (009) 14 RED (C) DOME LAMP POWER
- ( ) EMPTY (D)
- ( ) EMPTY (E)
- ( ) EMPTY (F)
- > (215) 12 ORN/BLK (A) HVAC FEED (40A MAX.)
- > (101) 12 ORN (B) HVAC POWER
- ( ) EMPTY (C)
- > (202) 12 RED (D) BATT FEED #1 (20A MAX.)
- > (116) 14 RED/GRN (E) LTR/12V PWR
- > (404) 16 YEL/RED (F) RDD BATT PWR



- > (207) 12 YEL (1) BATT FEED #2 (20A MAX.)
- > ( ) EMPTY (2)
- > ( ) EMPTY (3)
- > ( ) EMPTY (4)
- > (009) 14 RED (5) DOME LAMP POWER
- > (204) 14 RED/BLK (6) AUX BATT PWR
- > ( ) EMPTY (7)
- > ( ) EMPTY (8)

- > (215) 12 ORN/BLK (1) HVAC FEED (40A MAX.)
- > ( ) EMPTY (2)
- > (202) 12 RED (3) BATT FEED #1 (20A MAX.)
- > ( ) EMPTY (4)
- > (101) 12 ORN (5) HVAC POWER
- > ( ) EMPTY (6)
- > (404) 16 YEL/RED (7) RDD BATT PWR
- > (116) 14 RED/GRN (8) LTR/12V PWR

- FUSE #1 125 AMP
- FUSE #2 EMPTY
- FUSE #3 10 AMP
- FUSE #4 10 AMP

10. THIS IS A PURCHASED HARNESS. NO BILL OF MATERIAL EXISTS.
9. BRAIDED POLYESTER SLEEVING TO BE CLOSED AT BOTH ENDS WITH ZIP TIE. SHRINK TUBING AND TAPED [1111098] 6" AT BREAKOUTS.
8. VENDOR MAY REPLACE PIGTAILS WITH WIRING TO APPROVED MOLDINGS OR CONNECTORS. PIGTAILS SHOWN IN TERMINAL VIEW.
7. HARNESS TO BE TESTED FOR CONTENT, OPENS, SHORTS, AND CONTINUITY.
6. CONNECTORS SHOWN FROM WIRE ENTRY SIDE. UNLESS OTHERWISE NOTED.
5. SPLICES TO BE AUTOMATED WITH SOLDER AND ADHESIVE LINED HEAT SHRINK TUBING.
4. TAPE [1111098] 6" AT BREAKOUTS AND 2" AT LOOM ENDS.
3. HARNESS TO HAVE A LABEL SHOWING MORGAN OLSON PART NUMBER, REVISION DATE OF MANUFACTURE.
2. SPLIT POLY LOOM UNLESS OTHERWISE NOTED.
1. GXL WIRE.

**NOTES:**

**PROPRIETARY**

**MORGAN NOLSON**

REVENUE STAMPED UNLESS OTHERWISE NOTED

1. MORGAN NOLSON PART NO. 115084203

2. FOR ALL MATERIALS AND MANUFACTURING, SEE THE DRAWING FOR THE SPECIFIC PART NUMBER AND DATE OF MANUFACTURE.

3. FOR ALL MATERIALS AND MANUFACTURING, SEE THE DRAWING FOR THE SPECIFIC PART NUMBER AND DATE OF MANUFACTURE.

4. FOR ALL MATERIALS AND MANUFACTURING, SEE THE DRAWING FOR THE SPECIFIC PART NUMBER AND DATE OF MANUFACTURE.

5. FOR ALL MATERIALS AND MANUFACTURING, SEE THE DRAWING FOR THE SPECIFIC PART NUMBER AND DATE OF MANUFACTURE.

6. FOR ALL MATERIALS AND MANUFACTURING, SEE THE DRAWING FOR THE SPECIFIC PART NUMBER AND DATE OF MANUFACTURE.

7. FOR ALL MATERIALS AND MANUFACTURING, SEE THE DRAWING FOR THE SPECIFIC PART NUMBER AND DATE OF MANUFACTURE.

8. FOR ALL MATERIALS AND MANUFACTURING, SEE THE DRAWING FOR THE SPECIFIC PART NUMBER AND DATE OF MANUFACTURE.

9. FOR ALL MATERIALS AND MANUFACTURING, SEE THE DRAWING FOR THE SPECIFIC PART NUMBER AND DATE OF MANUFACTURE.

10. FOR ALL MATERIALS AND MANUFACTURING, SEE THE DRAWING FOR THE SPECIFIC PART NUMBER AND DATE OF MANUFACTURE.

BASED ON: 095084202

HARNESS AND LOOM TOLERANCES

UP TO 60" : -0/+2"

60" TO 100" : -0/+4"

100" TO 200" : -0/+5"

200" TO 400" : -0/+6"

400" TO 800" : -0/+7"

OVER 800" : -0/+8"

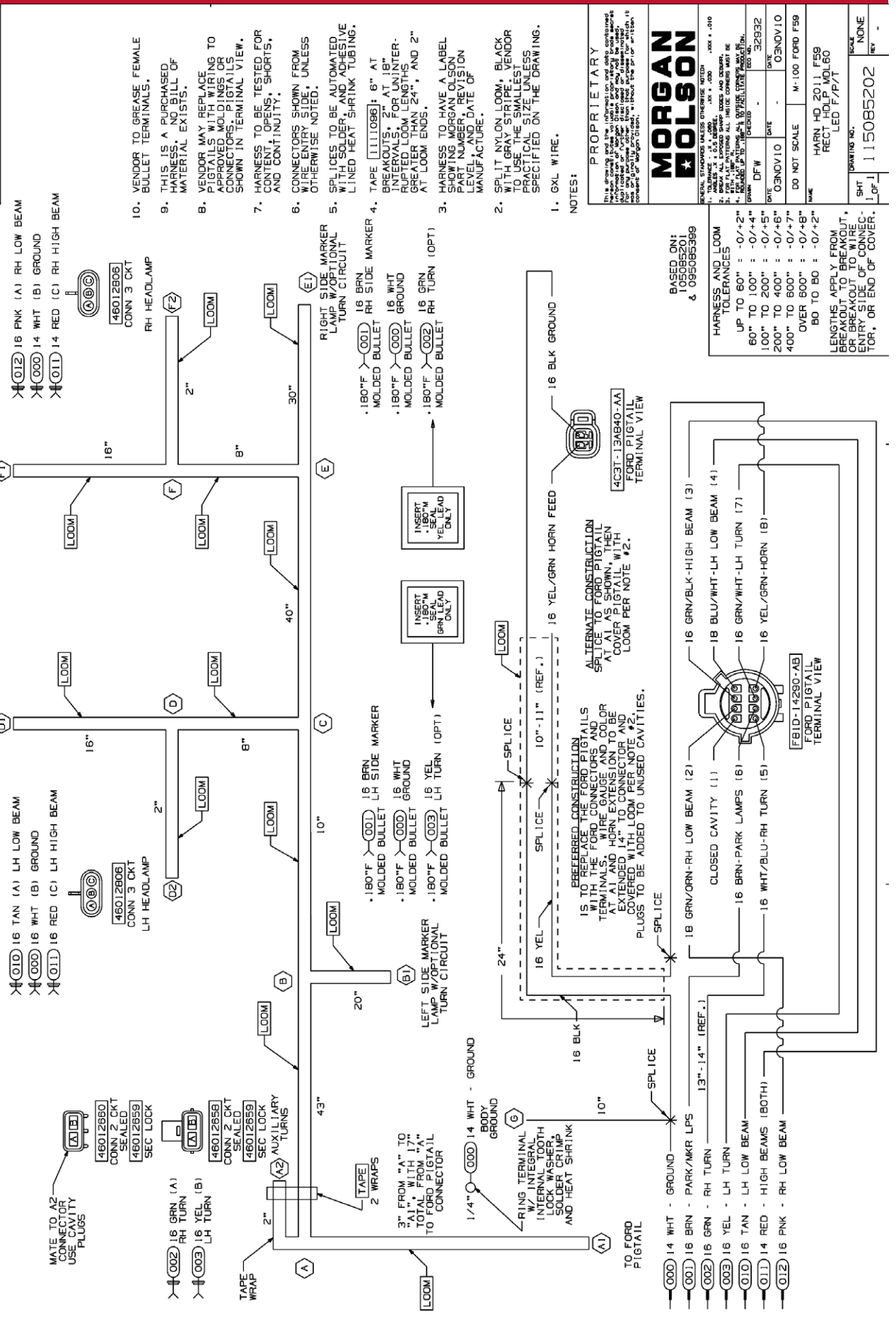
BO TO BO : -0/+2"

LENGTHS APPLY FROM BREAKOUT TO BREAKOUT OR BREAKOUT TO WIRE ENTRY SIDE OF CONNECTOR, OR END OF COVER.

REV	DESCRIPTION	DATE
1	RELEASE FOR PRODUCTION	

CIRCUIT	DESCRIPTION	END POINTS	FUNCTION
000	14/16 WHT	A1, B1, D1, D2, E1, F1, F2, G	GROUND
001	16 BRN	A1, B1, D1, E1, F1	PARK/MARKER
002	16 GRN	A1, A2, E1, F1	RH TURN
003	16 YEL	A1, A2, B1, D1	LH TURN
010	16 TAN	A1, D2	LH LOW BEAM
011	14/16 RED	A1, D2, F2	HIGH BEAMS (BOTH)
012	16 PNK	A1, F2	RH LOW BEAM

46012850	CONN 2 CKT SEALED
46012853	SEC LOCK
46012858	CONN 2 CKT SEALED
46012859	SEC LOCK
46012860	CONN 2 CKT SEALED
46012806	CONN 3 CKT RH HEADLAMP



REV	DESCRIPTION	DATE
1	RELEASE FOR PRODUCTION	

BASED ON:  
10508201  
& 095085399

HARNESS AND LOOM TOLERANCES	UP TO 60" : -0/+2"
	60" TO 100" : -0/+4"
	100" TO 200" : -0/+5"
	200" TO 400" : -0/+6"
	400" TO 800" : -0/+7"
	OVER 800" : -0/+8"
	BO TO BO : -0/+2"

LENGTHS APPLY FROM CENTER OF BREAKOUT TO WIRE ENTRY SIDE OF CONNECTOR, OR END OF COVER.

PROPRIETARY

THIS DRAWING IS THE PROPERTY OF MORGAN OLSON. IT IS TO BE USED ONLY FOR THE PARTS AND SERVICES SPECIFIED HEREON. IT IS NOT TO BE REPRODUCED OR TRANSMITTED IN ANY FORM OR BY ANY MEANS, ELECTRONIC OR MECHANICAL, INCLUDING PHOTOCOPYING, RECORDING, OR BY ANY INFORMATION STORAGE AND RETRIEVAL SYSTEM. WITHOUT THE WRITTEN PERMISSION OF MORGAN OLSON, THIS DRAWING IS NOT TO BE USED FOR ANY OTHER PURPOSE.

DATE: 03NOV10  
DRAWN: 32932

DO NOT SCALE  
NAME: HARN HD 2011 F59  
RECT HDP MOL60  
LED F/P/T

SCALE: NONE

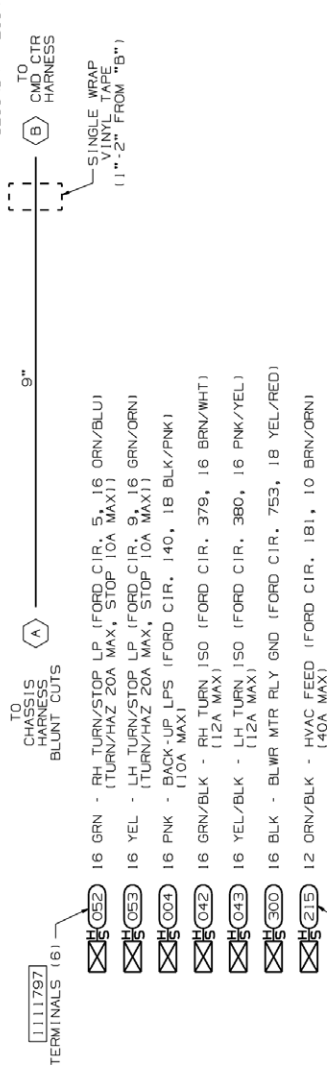
SHEET: 1 OF 1  
DRAWING NO.: 115085202

REV.	DATE	BY	CHK
115088201			
DESCRIPTION			
RELEASE FOR PRODUCTION			

- 052 16 GRN (A) RH TURN/STOP LP
- 053 16 YEL (B) LH TURN/STOP LP
- 004 16 PNK (C) BACK-UP LPS
- 042 16 GRN/BLK (D) RH TURN 150
- 043 16 YEL/BLK (E) LH TURN 150
- EMPTY (F)
- 300 16 BLK (G) BLWR MTR RLY GND
- 215 12 ORN/BLK (H) HVAC FEED



[46013556]  
CONN - B CKT  
2 - [46013558]  
SECONDARY LOCK



9. THIS IS A PURCHASED HARNESS. NO BILL OF MATERIAL EXISTS.
8. VENDOR MAY REPLACE PIGTAILS WITH WIRING TO APPROVED MOLDINGS OR CONNECTORS. PIGTAILS SHOWN IN TERMINAL VIEW.
7. HARNESS TO BE TESTED FOR CONTENT, OPENS, SHORTS, AND CONT INUITY.
6. CONNECTORS SHOWN FROM WIRE ENTRY SIDE, UNLESS OTHERWISE NOTED.
5. SPLICES TO BE AUTOMATED WITH SOLDER AND ADHESIVE LINED HEAT SHRINK TUBING.
4. TAPE [1111098]: 6" AT BREAKOUTS AND 2" AT LOOM ENDS.
3. HARNESS TO HAVE A LABEL SHOWING MORGAN NOLSON PART NUMBER, REVISION MANUF ACTURE.
2. SPLIT POLY LOOM UNLESS OTHERWISE NOTED.
1. GXL WIRE.

**NOTES:**

**PROPRIETARY**  
This document is the property of Morgan Olson. It is to be used only for the specific vehicle and engine application for which it was prepared. It is not to be reproduced, copied, or distributed without the prior written consent of Morgan Olson.



DRAWING NO.		REV	
115088201		1 OF 1	
DESCRIPTION			
RELEASE FOR PRODUCTION			
REV.	DATE	BY	CHK

**HARNESS AND LOOM TOLERANCES**

UP TO 60"	: -0/+2"
60" TO 100"	: -0/+4"
100" TO 200"	: -0/+5"
200" TO 400"	: -0/+6"
400" TO 600"	: -0/+7"
OVER 600"	: -0/+8"
BO TO BO	: -0/+2"

LENGTHS APPLY FROM BREAKOUT TO BREAKOUT OR BREAKOUT TO WIRE ENTRY SIDE OF CONNECTOR, OR END OF COVER.

BASED ON:  
095088397

DRAWING NO.	REV	SHT
115088202	A	1 of 1
DESCRIPTION	BY	DATE
RELEASE FOR PRODUCTION	CHK.	
A 3" WIRES ADDED TO CONN WAS BLANK ALL CLERK (SHEET)		

- THIS IS A PURCHASED HARNESS. NO BILL OF MATERIAL EXISTS.
- VENDOR MAY REPLACE PIGTAILS WITH WIRING TO APPROVED MOLDINGS OR CONNECTORS. PIGTAILS SHOWN IN TERMINAL VIEW.
- HARNESS TO BE TESTED FOR CONTENT, OPENS, SHORTS, AND CONTINUITY.
- CONNECTORS SHOWN FROM WIRE ENTRY SIDE, UNLESS OTHERWISE NOTED.
- SPLICES TO BE AUTOMATED WITH SOLDER, AND ADHESIVE LINED HEAT SHRINK TUBING.
- TAPE [1111086]: 6" AT BREAKOUTS, 2" AT 18" INTERVALS FOR UNINTERRUPTED LOOM LENGTHS GREATER THAN 24", AND 2" AT LOOM ENDS.
- HARNESS TO HAVE A LABEL SHOWING MORGAN NOLSON PART NUMBER, REVISION LEVEL, AND DATE OF MANUFACTURE.
- SPLIT NYLON LOOM, BLACK WITH GRAY STRIPE, UNLESS OTHERWISE NOTED.
- GXL WIRE.

**NOTES:**

**PROPRIETARY**  
This drawing and the information and data contained hereon are the property of Morgan Olson and may not be used, reproduced, or transmitted in any form or by any means, electronic or mechanical, including photocopying, recording, or by any information storage and retrieval system, without the prior written consent of Morgan Olson.

**MORGAN NOLSON**

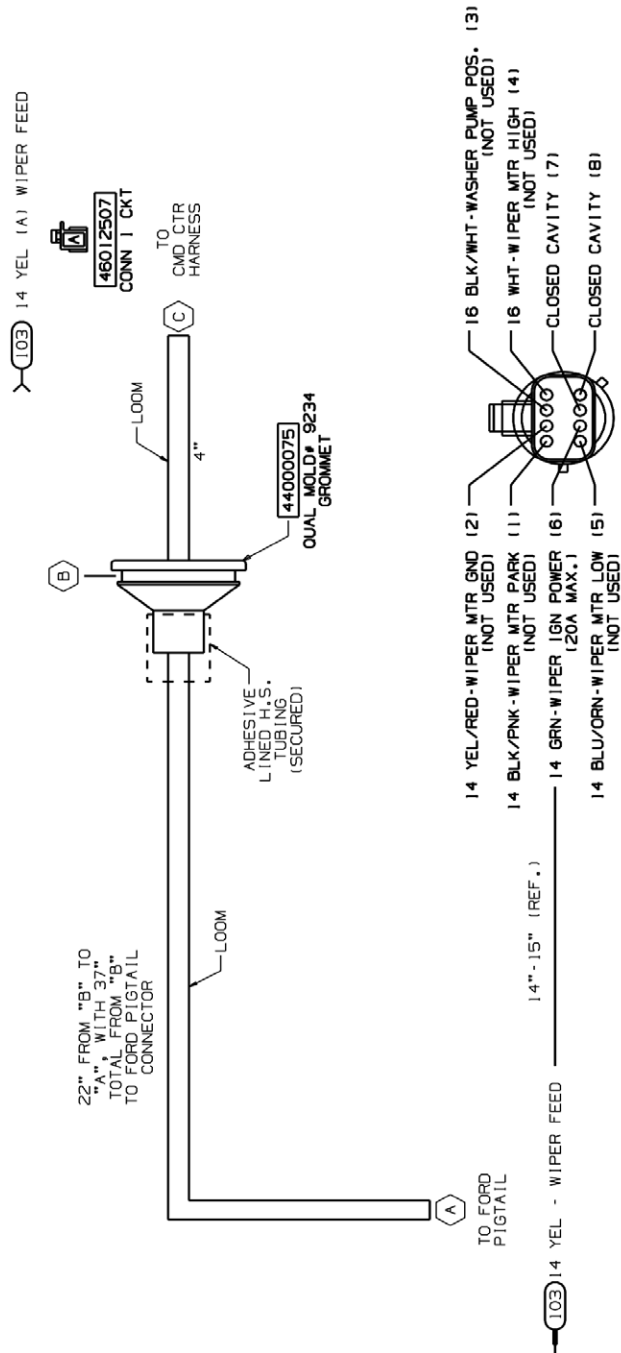
**GENERAL STANDARDS UNLESS OTHERWISE NOTED:**  
1. Wires: U.S. Standard Gauge  
2. Break All Entries Show Entry and Depth  
3. Wire: 18 AWG unless otherwise noted  
4. Resistance to Heat: 150°C (300°F)  
5. Resistance to Oil: 100%  
6. Resistance to Water: 100%  
7. Resistance to Salt Crystals: 100%  
8. Resistance to UV Radiation: 100%  
9. Resistance to Abrasion: 100%  
10. Resistance to Chafe: 100%  
11. Resistance to Vibration: 100%  
12. Resistance to Shock: 100%  
13. Resistance to Compression: 100%  
14. Resistance to Tension: 100%  
15. Resistance to Bending: 100%  
16. Resistance to Twisting: 100%  
17. Resistance to Crushing: 100%  
18. Resistance to Impact: 100%  
19. Resistance to Fire: 100%  
20. Resistance to Aging: 100%

DATE	DFW	32990
04NOV10		
DO NOT SCALE		
HARN JPR 1/P WPR F59 2011		
DRAWING NO.	REV	
115088202	NONE	
SHT	REV	A

**HARNESS AND LOOM TOLERANCES**

UP TO 60"	-0/+2"
60" TO 100"	-0/+4"
100" TO 200"	-0/+5"
200" TO 400"	-0/+6"
400" TO 600"	-0/+7"
OVER 600"	-0/+8"
BO TO BO	-0/+2"

LENGTHS APPLY FROM BREAKOUT TO BREAKOUT, OR BREAKOUT TO WIRE ENTRY SIDE OF CONNECTOR, OR END OF COVER.



FEID-178587-AC  
FORD PIGTAIL  
WIRE ENTRY VIEW

**ADDED NOTE:**  
INSTALL 3" OF INSULATED WIRE W/ TERMINALS INTO UNUSED CAVITIES 1-5 OF FORD PIGTAIL. BLENDED PAPERES HEAT SHRINK ENDS OF BLUNT CUS. WIRES. MAKE SURE WIRES ARE BUNDLED AND LOOMED WITH THE YELLOW WIPER FEED WIRE.

**ALTERNATE CONSTRUCTION**  
IS TO REPLACE THE FORD PIGTAIL WITH THE FORD CONNECTOR AND TERMINAL WIRE GAUGE AND COLOR AT A TO BE EXTENDED 15" TO CONNECTOR AND COVERED WITH LOOM PER NOTE #2. PLUGS TO BE ADDED TO UNUSED CAVITIES.

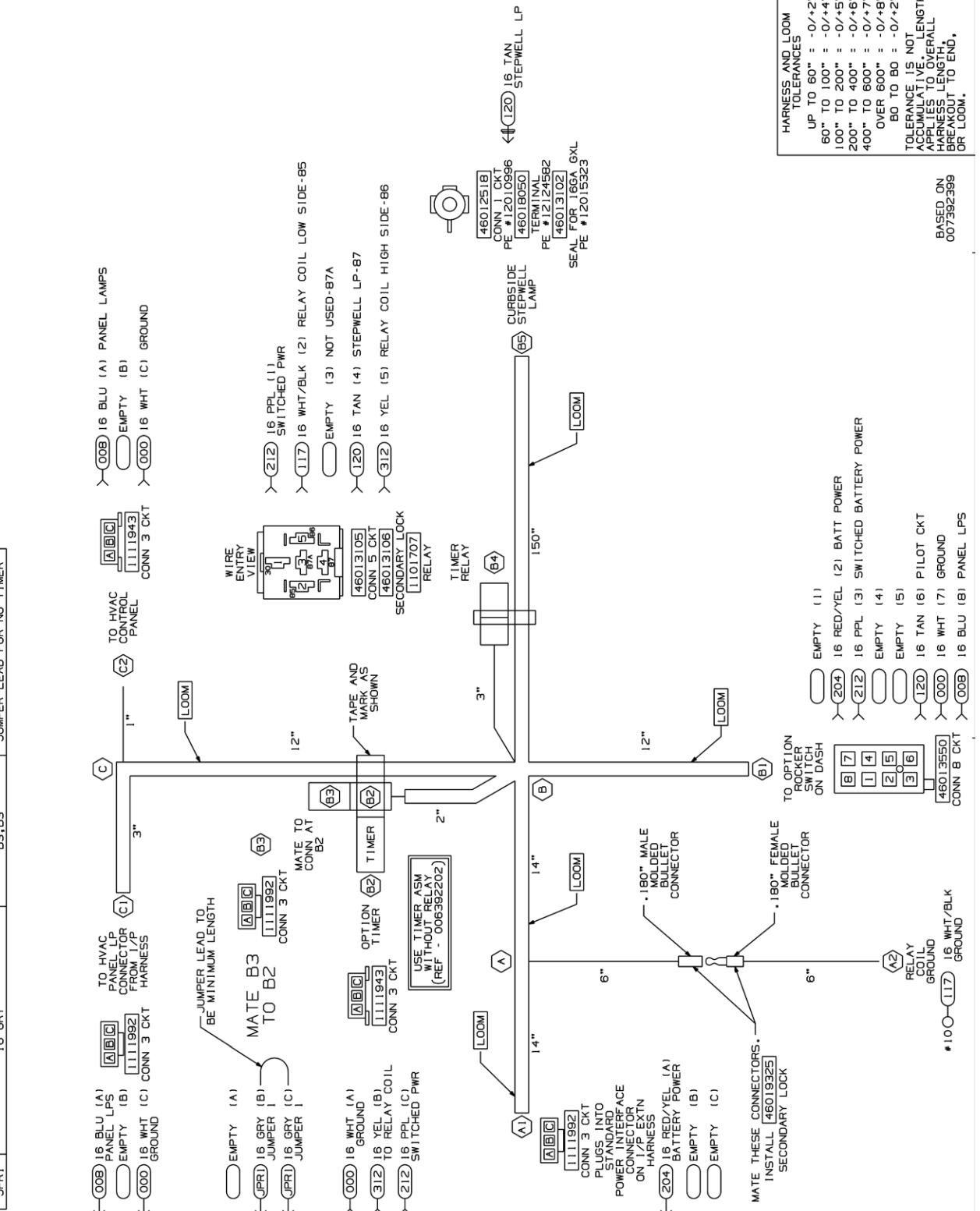
**PREFERRED CONSTRUCTION**  
IS TO REPLACE THE FORD PIGTAIL WITH THE FORD CONNECTOR AND TERMINAL WIRE GAUGE AND COLOR AT A TO BE EXTENDED 15" TO CONNECTOR AND COVERED WITH LOOM PER NOTE #2. PLUGS TO BE ADDED TO UNUSED CAVITIES.

BASED ON:  
095088399



DRAWING NO.	REV	SHT
007392398		1 OF 1
DESCRIPTION	REV.	DATE
RELEASE TO PRODUCTION		

CIRCUIT	DESCRIPTION	END POINTS	FUNCTION
000	16 WHT	B1, B2, C1, C2	GROUND
008	16 BLU	B1, C1, C2	PANEL LAMPS
117	16 WHT/BLK	B4, D2	RELAY COIL THRU DOOR SWITCH
120	16 TAN	B1, B4, B5	UNDER STEP LAMP / PILOT CKT
204	16 RED/YEL	A1, B1	BATTERY POWER
212	16 PPL	B1, B2, B4	SWITCHED BATTERY POWER
312	16 YEL	B2, B4	TIMER OUTPUT TO RELAY COIL
JPR1	16 GRY	B3, B3	JUMPER LEAD FOR NO TIMER



1. GXL WIRE.
2. SPLIT POLY LOOM UNLESS OTHERWISE NOTED.
3. HARNESS TO HAVE A LABEL SHOWING MORGAN OLSON PART NUMBER, REVISION NUMBER, AND DATE OF MANUFACTURE.
4. TAPE [1111098]: 6" AT BREAKOUTS AND 2" AT LOOM ENDS.
5. SPLICES TO BE AUTOMATED WITH HEAT SHRINK TUBING. HEAT SHRINK BUTT SPLICES ARE ACCEPTABLE FOR M-C FABRICATION IF NECESSARY.
6. CONNECTORS SHOWN FROM WIRE ENTRY SIDE, UNLESS OTHERWISE NOTED.
7. HARNESS TO BE TESTED FOR CONVEYS, SHORTS, AND CONTINUITY.
8. VENDOR MAY REPLACE WITH APPROVED MOLDING OR APPROVED MOLDINGS FOR CONNECTORS. PIGTAILS SHOWN IN TERMINAL VIEW.

**PROPRIETARY**

THIS DRAWING IS THE PROPERTY OF MORGAN OLSON. IT IS TO BE USED ONLY FOR THE PURPOSES SPECIFIED HEREIN. ANY REPRODUCTION OR DISTRIBUTION OF THIS DRAWING WITHOUT THE WRITTEN PERMISSION OF MORGAN OLSON IS STRICTLY PROHIBITED.

**MORGAN OLSON**

GENERAL STANDARDS UNLESS OTHERWISE NOTED:  
 1. DIMENSIONS ARE IN INCHES.  
 2. DIMENSIONS IN PARENTHESES ARE FOR REFERENCE ONLY.  
 3. DIMENSIONS IN SQUARE BRACKETS ARE FOR REFERENCE ONLY.  
 4. DIMENSIONS IN CIRCLES ARE FOR REFERENCE ONLY.

DATE	10JUL07	DATE	10JUL07
TIME	TMC	TIME	07-10B3

DO NOT SCALE

HARNESS: LAMP CURBSIDE STEPWELL, ROCKER SWITCH ON I/P-BATTERY

DRAWING NO. 007392398

SHT 1 OF 1

**HARNESS AND LOOM TOLERANCES**

UP TO 60" = -0/+2"  
 60" TO 100" = -0/+4"  
 100" TO 200" = -0/+5"  
 200" TO 400" = -0/+6"  
 400" TO 600" = -0/+7"  
 OVER 600" = -0/+8"

BO TO BO = -0/+2"  
 TOLERANCE IS NOT ACCUMULATIVE. LENGTH APPLIES TO OVERALL HARNESS LENGTH, PRELIMINARY TO END, OR LOOM.

BASED ON 007392399

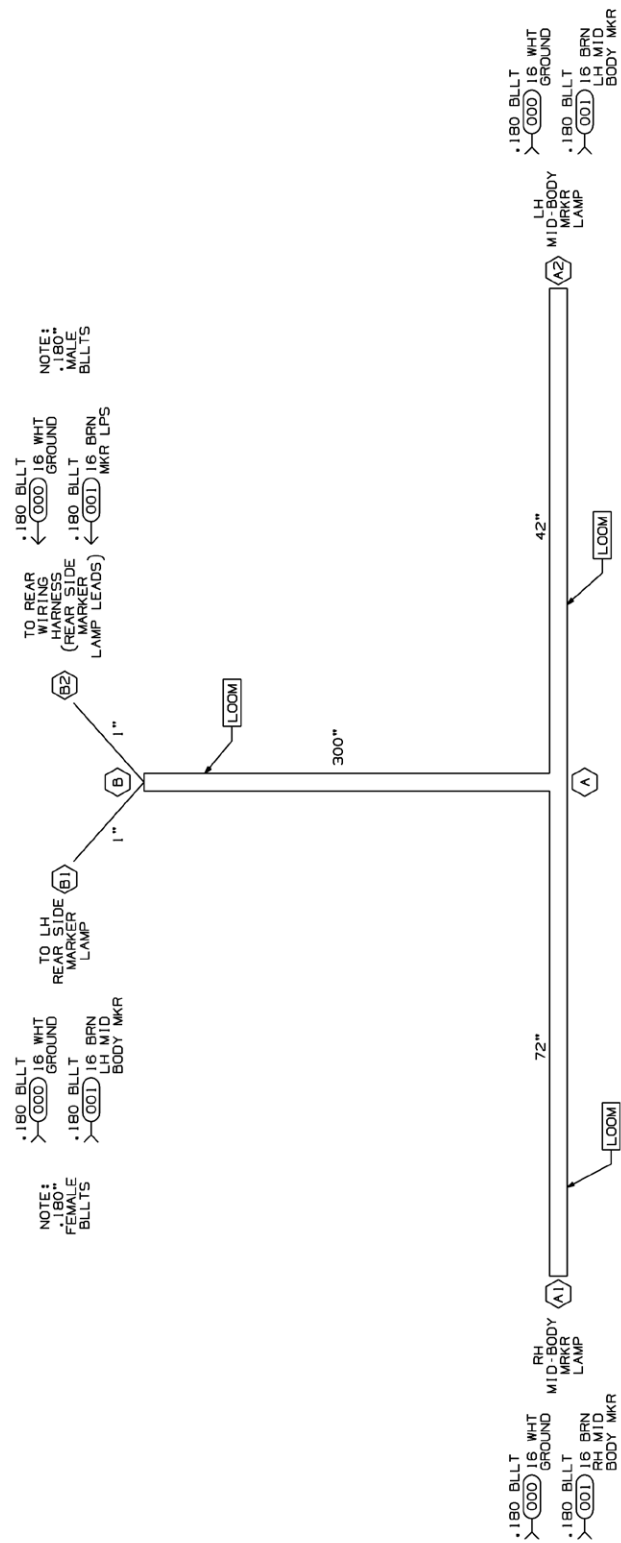
DRAWING NO.	REV	SHT
007381203		1 OF 1
DESCRIPTION	DATE	
RELEASE TO PRODUCTION		

- VENDOR MAY REPLACE WITH APPROVED MOLDINGS OR CONNECTORS. PIGTAILS SHOWN IN TERMINAL VIEW.
- HARNESSES TO BE TESTED FOR CONTACTS, SHORTS, AND CONTINUITY.
- CONNECTORS SHOWN FROM WIRE ENTRY SIDE, UNLESS OTHERWISE NOTED.
- SPLICES TO BE AUTOMATED WITH HEAT SHRINK TUBING. HEAT SHRINK BUTT SPLICES ARE ACCEPTABLE FOR M.O. FABRICATION IF NECESSARY.
- TAPE [111096] 6" AT BREAKOUTS AND 2" AT LOOM ENDS.
- HARNESSES TO HAVE A LABEL SHOWING MORGAN OLSON PART NUMBER, REVISION NUMBER, AND DATE OF MANUFACTURE.
- SPLIT POLY LOOM UNLESS OTHERWISE NOTED.
- GXL WIRE.

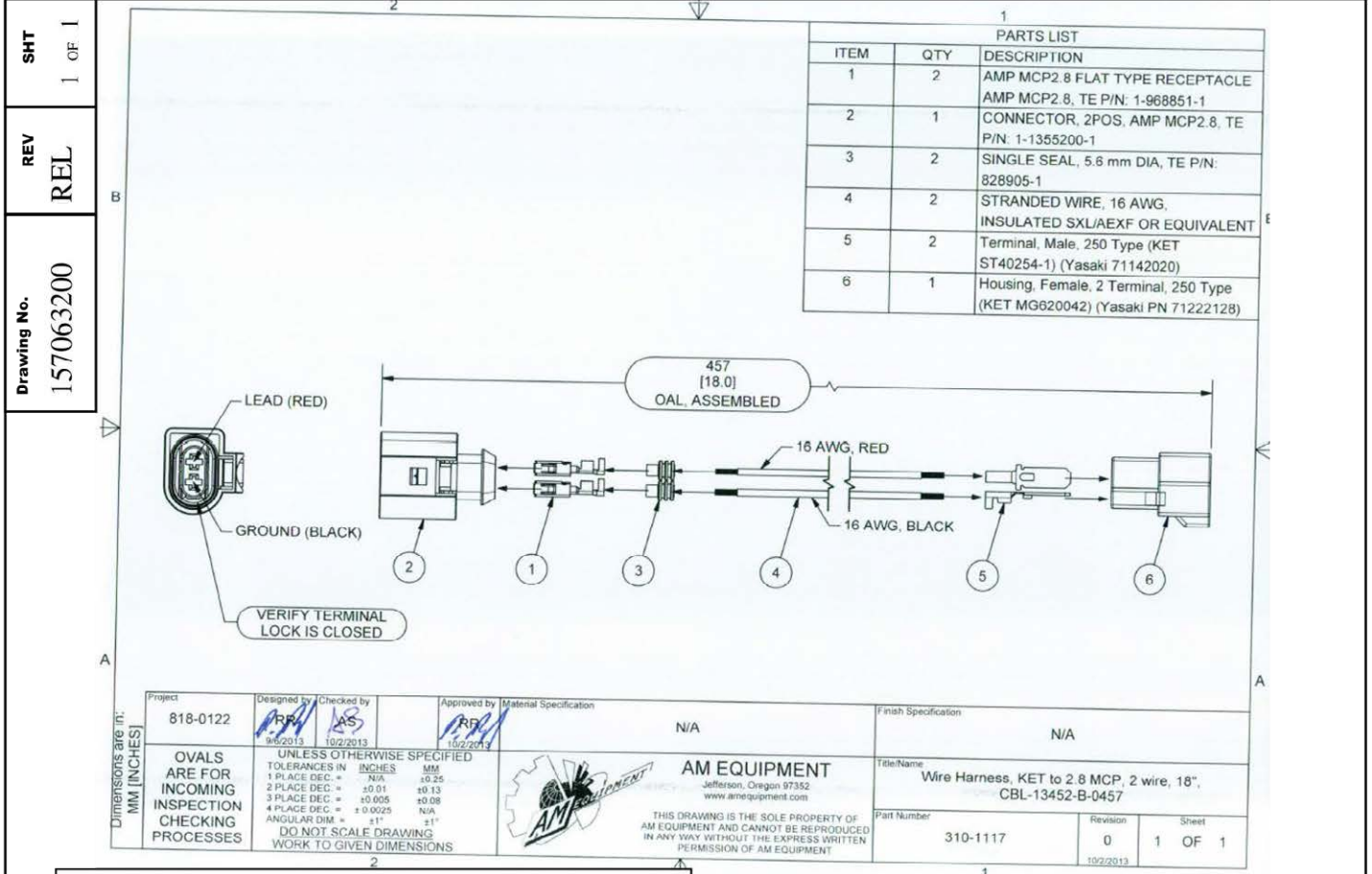
**PROPRIETARY**  
 This document is the property of Morgan Olson. It is to be used only for the purpose intended. It is not to be reproduced, stored in a retrieval system, or transmitted in any form or by any means, electronic, mechanical, photocopying, recording, or by any information storage and retrieval system, without the prior written permission of Morgan Olson.

<b>MORGAN OLSON</b>	
GENERAL STANDARDS UNLESS OTHERWISE NOTED:	
1. WIRE GAUGE: 16 AWG	2. WIRE COLOR: SEE DRAWING
3. WIRE TYPE: SPLIT POLY UNLESS OTHERWISE NOTED	4. WIRE LENGTH: AS SHOWN, UNLESS OTHERWISE NOTED
5. WIRE ENTRY: AS SHOWN, UNLESS OTHERWISE NOTED	6. WIRE ENTRY: AS SHOWN, UNLESS OTHERWISE NOTED
DATE	DATE
02JAN08	02JAN08
TMC	TMC
OB-0001	OB-0001
DO NOT SCALE	
NAME	SCALE
HARNESSES MID-BODY MARKERS P&P .180 BLLTS	NONE
DRAWING NO.	REV
007381203	1 OF 1

CIRCUIT GAUGE, COLOR	END POINTS	FUNCTION
.180 WHT	A1, A2, B1, B2	GROUND
.180 BRN	A1, A2, B1, B2	SIDE MARKER LAMPS



**HARNESSES AND LOOM TOLERANCES**  
 UP TO 60" : -0/+2"  
 60" TO 100" : -0/+4"  
 100" TO 200" : -0/+5"  
 200" TO 400" : -0/+6"  
 400" TO 600" : -0/+7"  
 OVER 600" : -0/+8"  
 BO TO BO : -0/+2"  
 TOLERANCE IS NOT ACCUMULATIVE. LENGTH APPLIES TO OVERALL HARNESSES LENGTH, PRECUT TO END, OR LOOM.



ADD 18" HIGH-TEMP LOOM 46020207 TO WASHER BOTTLE PIGTAIL 47004506 AND TAPE 1111096 TO BOTH ENDS

GENERAL STANDARDS UNLESS OTHERWISE NOTED:

- TOLERANCE- .X ± .060 .XX ± .030 .XXX ± .010
- ANGLES- .X ± .5 DEGREES
- BREAK ALL EXPOSED SHARP EDGES AND DEBURR.
- FOR FLAT PATTERNS ALL INSIDE CORNERS MUST BE WITH .188" R.
- FOR FLAT PATTERNS ALL OUTSIDE CORNERS MAY BE ROUNDED UP TO .188" R TO FACILITATE PRODUCTION.

DRAWN JLH	CHECKED -	RELEASE NO. 45793
DATE 08/10/15	DATE -	DATE 08/10/15
<b>DO NOT SCALE</b>		
NAME <b>HARN WSHR BTL PGTL LOOM ADDED</b>		
SHT 1 of 1	DRAWING NO. 15706200	SCALE NONE
		REV REL

**PROPRIETARY**

This drawing and the information and data contained hereon constitutes valuable proprietary trade secret information of Morgan Olson Corp. and may not be used, duplicated or further disclosed or disseminated for any purpose other than that purpose for which it was originally provided, without the prior written consent of Morgan Olson Corp.

