



PARTS CATALOG

PUBLISHED AUG 2014



2013-2014 Morgan Olson Body
2013-2014 Freightliner Chassis

22'x85"Hx93"W MT45 US GAS



1.800.233.4823

WWW.MORGANOLSONPARTS.COM

INTRODUCTION	3
CAB & ENGINE BOX	4
WINDSHIELD	5
INSTRUMENT PANEL	6
HOOD	7-8
STEPS	9
SEATS	10
FLOOR	11
SIDES	12-13
ROOF	14
REAR	15
BULKHEAD	16
SIDE DOOR	17
SIDE DOOR POCKET	18
ROLL UP DOOR (RUD)	WAITING ON DATA FROM TODCO 19-21
PIPE RACK	22
SHELF	23
BUMPERS	24
MIRRORS & WINDSHEILD WIPERS	25
HEATER	26-28
ELECTRICAL	29-30
MISCELLANEOUS	31-32
LIFT GATE (OPTIONAL)	33

This parts guide contains illustrations and part numbers for aramark Delivery Vehicle Package Cars and applies to bill of material # JV100827 produced in 2013 and 2014.

Cover photo shown with optional lift gate installed. See page 33 for Lift Gate information.

This book has been divided into chapters. Each chapter has illustrations with part numbers and descriptions. When possible, each part is pointed out to help identify it. Orientation references are from the rear of the vehicle facing forward. LH (LEFT HAND) is roadside and RH (RIGHT HAND) is curb-side.

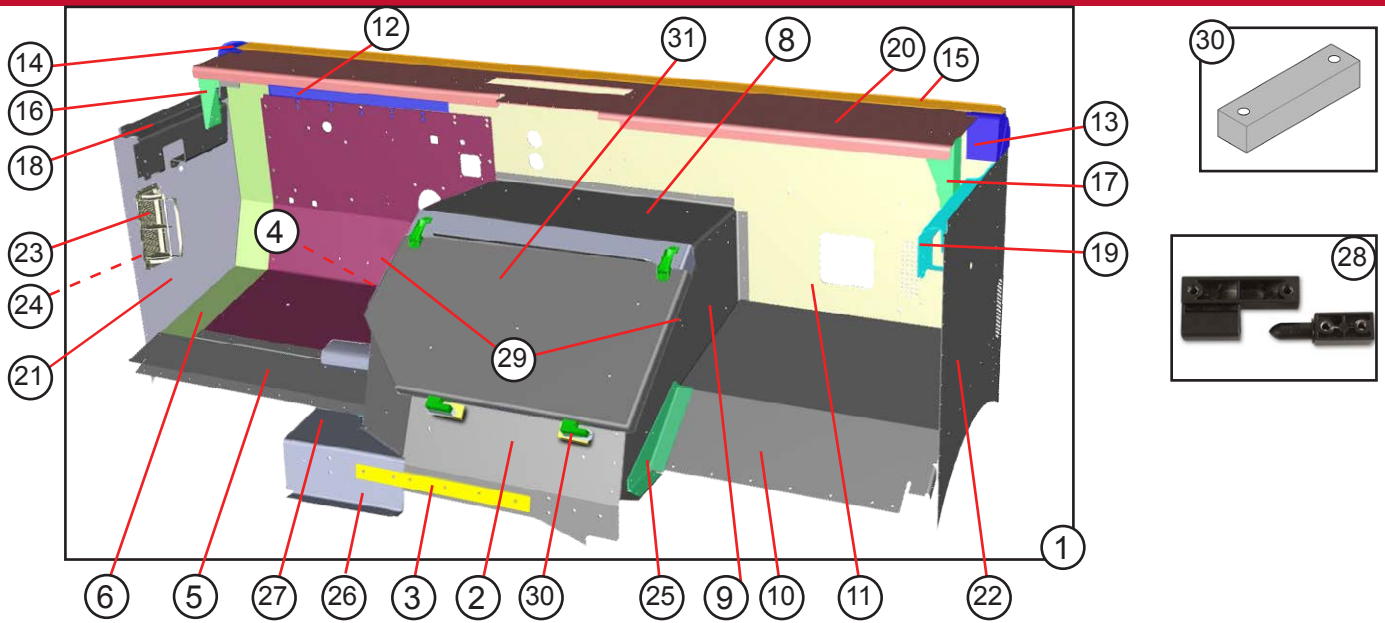
Procedure to Order Parts

1. Depending on the part desired, turn to the appropriate section.
2. Locate the desired part on the Illustration Page(s) and note it's part number.
3. Contact a Morgan Olson Service Parts Representative. Have part numbers readily available.
4. When placing orders, specify vehicle VIN number.

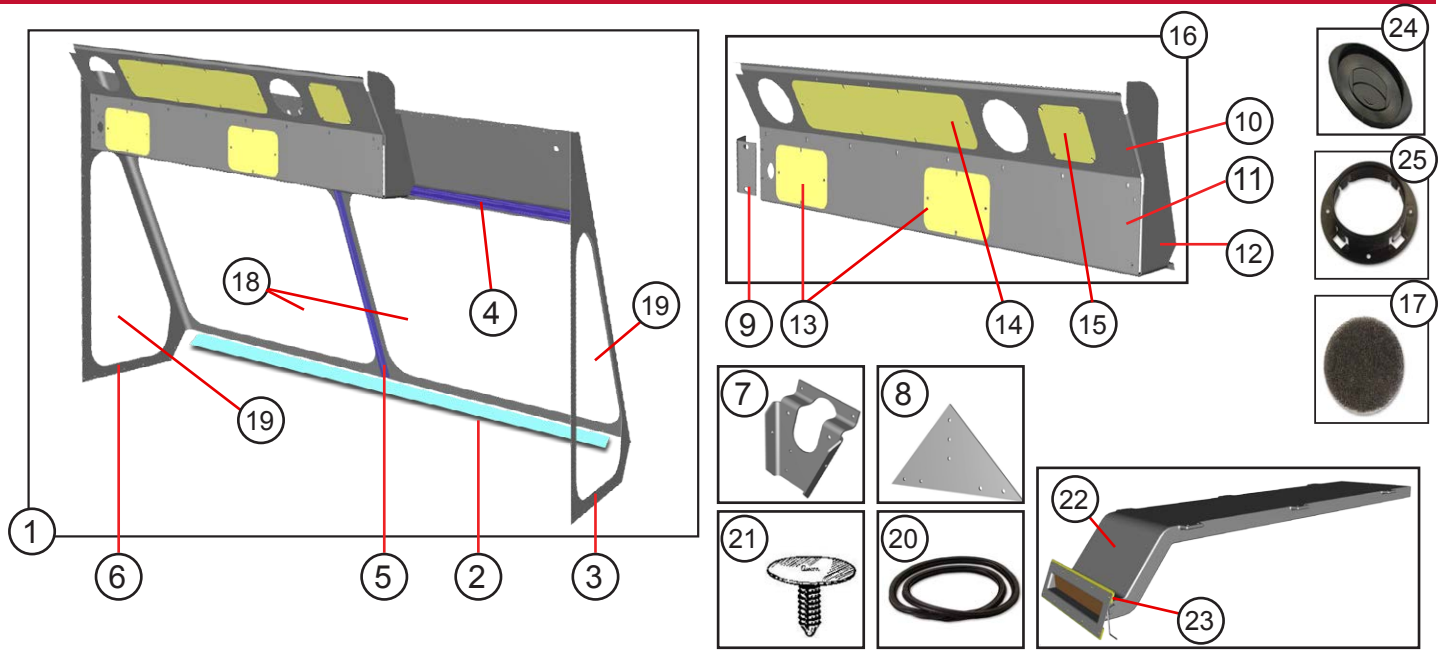
FOR WARRANTY INFORMATION CALL 1-800-262-3437

ANY QUESTIONS OR CONCERNS SHOULD BE DIRECTED TO YOUR SERVICE
PARTS REPRESENTATIVE AT
1-800-233-4823

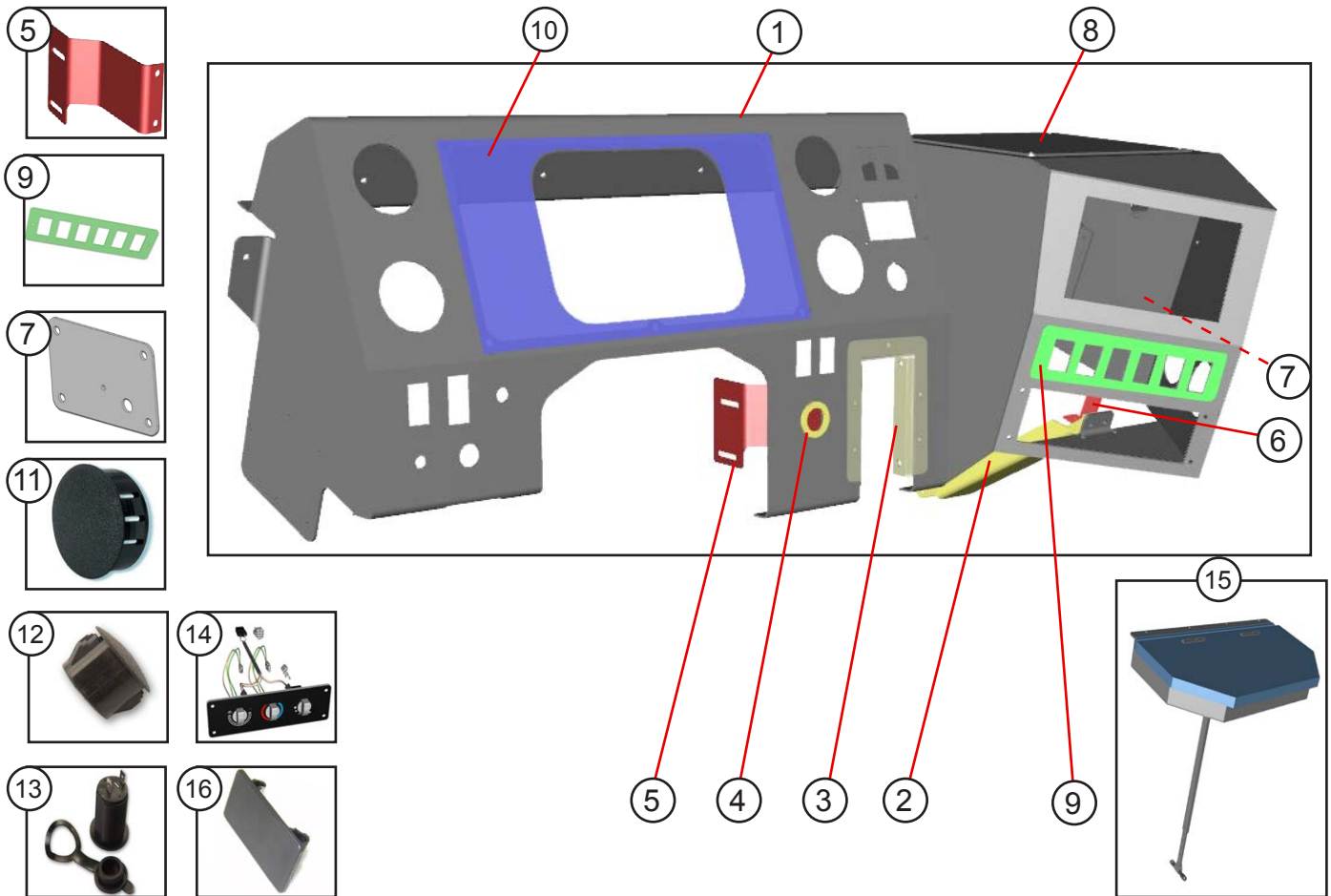
At Morgan Olson, our quest for quality and safety is ongoing and therefore the specifications on the product described herein may vary over time. Please contact Morgan Olson for the latest product information and available safety features and options.



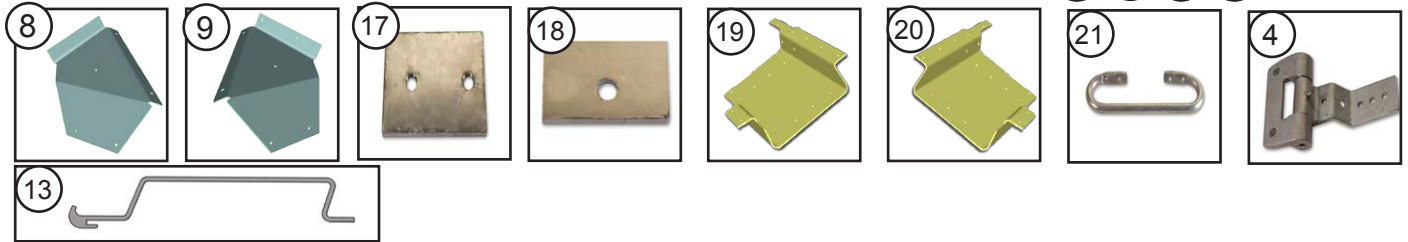
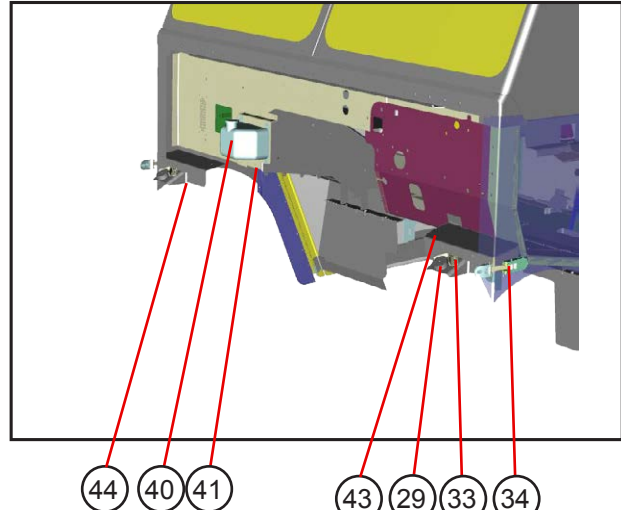
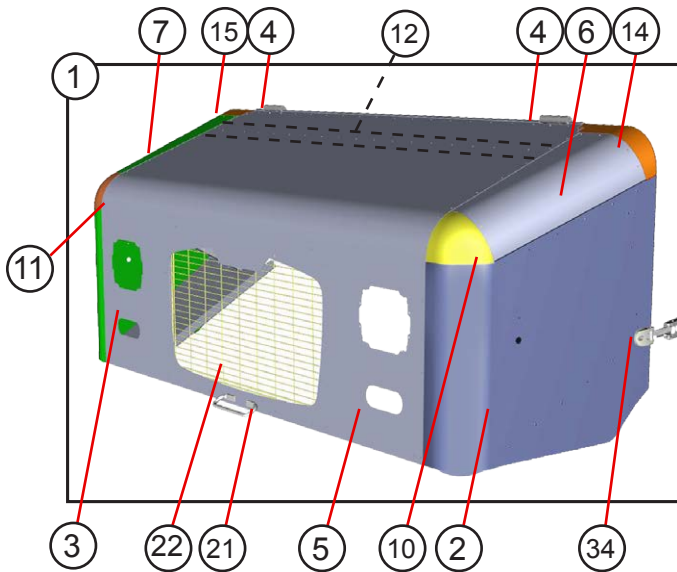
ITEM #	PART #	DESCRIPTION	QTY.	UNIT
1	118005204	CAB ASSEMBLY	1	EA
2	098005502	ENGINE BOX SADDLE	1	EA
3	077050402	SHIM	1	EA
4	098005503	ENGINE BOX SIDE ROADSIDE	1	EA
5	077050423	TOE BOARD ROADSIDE	1	EA
6	077050419	TOE BOARD DASH ROADSIDE	1	EA
8	098005400	ENGINE BOX TOP	1	EA
9	098005501	ENGINE BOX HOUSING	1	EA
10	098005462	DASH PANEL	1	EA
11	098005472	DASH WALL CURBSIDE	1	EA
12	077050408	DASH WALL ROADSIDE	1	EA
13	8502001	CORNER CASTING CURBSIDE	1	EA
14	8502000	CORNER CASTING ROADSIDE	1	EA
15	083023402	WINDSHIELD RAIL	1	EA
16	083005418	SUPPORT RAIL ROADSIDE	1	EA
17	083005419	SUPPORT RAIL CURBSIDE	1	EA
18	077050400	STIFFENER ROADSIDE	1	EA
19	077050401	STIFFENER CURBSIDE	1	EA
20	093005512	DASH SHELF	1	EA
21	093005421	CAB SKIRT ROADSIDE	1	EA
22	093005440	CAB SKIRT CURBSIDE	1	EA
23	47008545	VENT 2 WAY HINGLESS	1	EA
24	47008548	VENT GASKET	1	EA
25	077050406	GUSSET TOE BOARD CURBSIDE	1	EA
26	077050411	FILLER SADDLE	1	EA
27	077050446	HEEL SCUFF PLATE	1	EA
28	47007859	HINGE OFFSET	2	EA
29	1113336	LATCH	2	EA
30	117028400	SHIM ENGINE BOX	2	EA
31	098028402	LID ENGINE BOX	1	EA



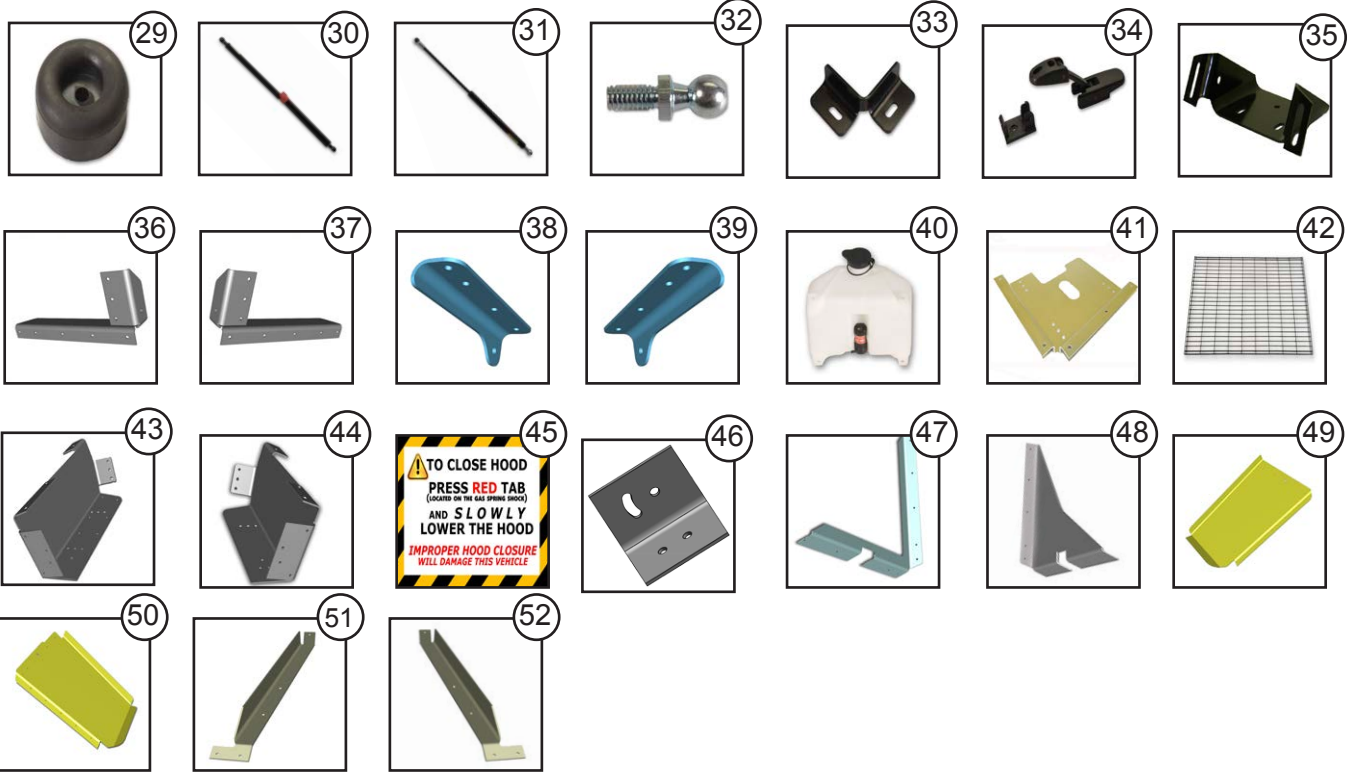
ITEM #	PART #	DESCRIPTION	QTY.	UNIT
1	088055207	WINDSHIELD ASSEMBLY 85H93W CRGV SWM2007	1	EA
2	083023402	WINDSHIELD RAIL (SEE PAGE 4 ITEM 15)	1	EA
3	088055433	FRAME WINDSHEILD CURBSIDE	1	EA
4	077055404	STIFFENER W/S	2	EA
5	077055401	POST W/S CENTER	1	EA
6	088055405	FRAME WINDSHEILD ROADSIDE	1	EA
7	077055402	GUSSET FRAME	1	EA
8	998555329	GUSSET FRAME	1	EA
9	088076449	BRACKET, MOUNTING	1	EA
10	097076488	COVER WIPER MOTOR UPPER	1	EA
11	120076400	COVER WIPER MOTOR LOWER	1	EA
12	097076461	COVER WIPER CURBSIDE	1	EA
13	097076436	PLATE COVER	2	EA
14	097076435	PLATE COVER	1	EA
15	097076437	PLATE COVER	1	EA
16	120076000	COVER WIPER MOTOR INSTALLATION	1	EA
17	48000504	FILTER FM	2	EA
18	96756400	GLASS WINDSHIELD	2	EA
19	006756400	GLASS SIDE TRIANGLE	2	EA
20	44004303	WEATHER STRIPPING LS-1660 X147.5	2	EA
20	44004309	WEATHER STRIPPING LS-1660 X86.25	2	EA
NS	1109001	INSULATION FIBERGLASS	7.25	FT
NS	083011470	ROOF LINER FRONT EMBOSSED .023X39X86.99	1	EA
NS	100011400	POLYESTER FILL ROOF LINER 4X22.5	3	EA
21	47006610	CLIPS PUSH IN .45HEADX.64	52	EA
22	47008802	DUCT VENT INTERIOR CAB/CARGO	1	EA
23	94010316	REINFORCEMENT VENT	2	EA
24	47008547	LUVER ROUND	2	EA
25	47008546	PANEL MOUNT LUVER	2	EA



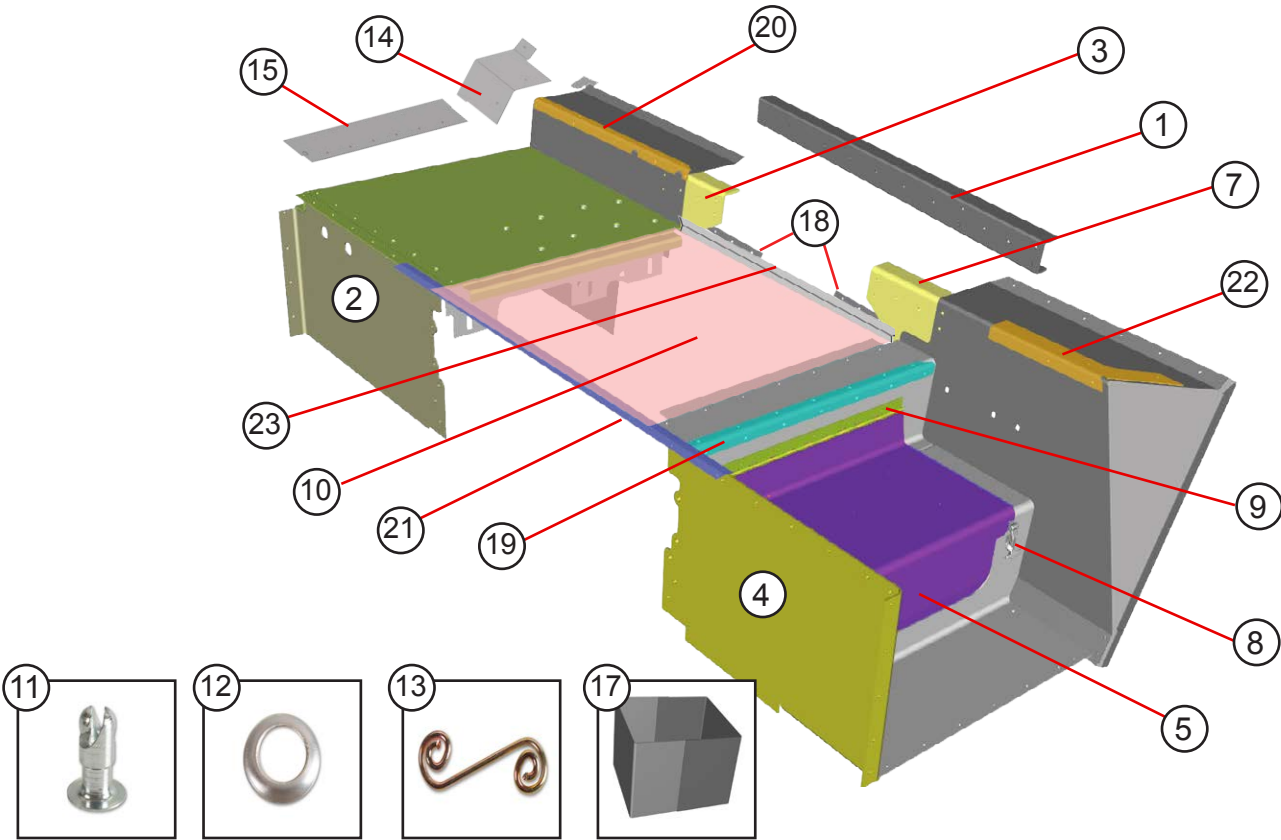
ITEM #	PART #	DESCRIPTION	QTY.	UNIT
1	124027203	INSTRUMENT PANEL WELDMENT	1	EA
2	118027421	BRACKET REINFORCEMENT	1	EA
3	002027423	BRACKET SHIFTER	1	EA
4	006327202	SPACER IGNITION SWITCH	1	EA
5	107027403	BRACE INSTRUMENT PANEL AL.102X3.75X8.43	1	EA
6	118027414	BRACE	1	EA
NS	114027403	BRACE PANEL	1	EA
8	128027421	COVER PLATE RADIO	1	EA
9	118027417	PLATE ROCKER SWITCH	1	EA
10	128027403	PLATE COVER INSTRUMENT PANEL	1	EA
11	44000117	PLUG HL BLACK	1	EA
12	1111520	PLUG HL BLACK	1	EA
13	46026378	RECP 12V PWR W/TETHER SS BDY	1	EA
14	555001413	PANEL CONTROL HEATER (SEE PAGE 27)	1	EA
15	47009283	SHELF WORK STATION ASSEMBLY W/DIV & LOCK	1	EA
16	46023506	PLUG HOLE ROCKER SWITCH BLACK	3	EA
NS	098027402	PLATE ADAPTOR INSTRUMENT PANEL	1	EA



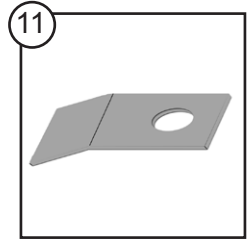
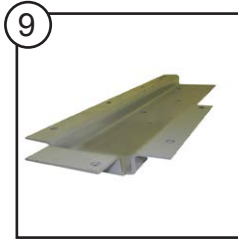
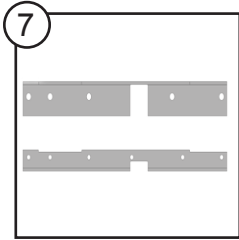
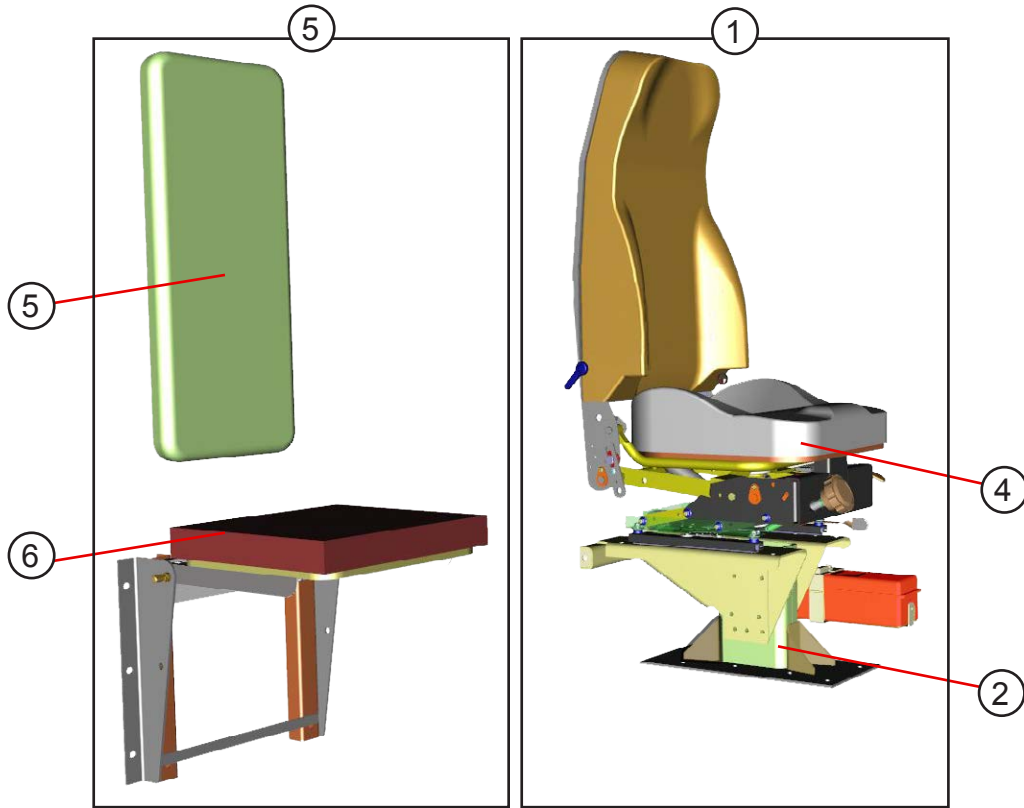
ITEM #	PART #	DESCRIPTION	QTY.	UNIT
1	108017202	HOOD ASSEMBLY	1	EA
2	088017414	HOOD SKIRT ROADSIDE	1	EA
3	088017415	HOOD SKIRT CURBSIDE	1	EA
4	47007852	HINGE ASSEMBLY	2	EA
5	108017401	PANEL HOOD	1	EA
6	088017416	COWL HOOD ROADSIDE	1	EA
7	088017417	COWL HOOD CURBSIDE	1	EA
8	95817312	GUSSET CORNER ROADSIDE	1	EA
9	95817313	GUSSET CORNER CURBSIDE	1	EA
10	45100057	CORNER CAST KNEE COWL FRONT ROADSIDE	1	EA
11	45100058	CORNER CAST KNEE COWL FRONT CURBSIDE	1	EA
12	088017420	STIFFENER HOOD	1	EA
13	45001500	BRACKET HOOD	1	EA
14	45100060	CAP COWL END ROADSIDE	1	EA
15	45100061	CAP COWL END CURBSIDE	1	EA
NS	088017255	SUPPORT ASSEMBLY GRILL	1	EA
17	91617304	PLATE TAP	2	EA
18	96717312	SHIM	2	EA
19	115017403	STIFFENER HOOD ROADSIDE	1	EA
20	115017404	STIFFENER HOOD CURBSIDE	1	EA
21	90187300	GRAB HANDLE	1	EA
NS	088017423	ANGLE SUPPORT GRILLE 450186X69.62	1	EA
NS	088017421	SUPPORT GRILLE ANGLE 450180X22.8	2	EA
NS	088017441	ANGLE HORZ 450186X69.62	1	EA
22	45700101	GRILLE MESH	1	EA



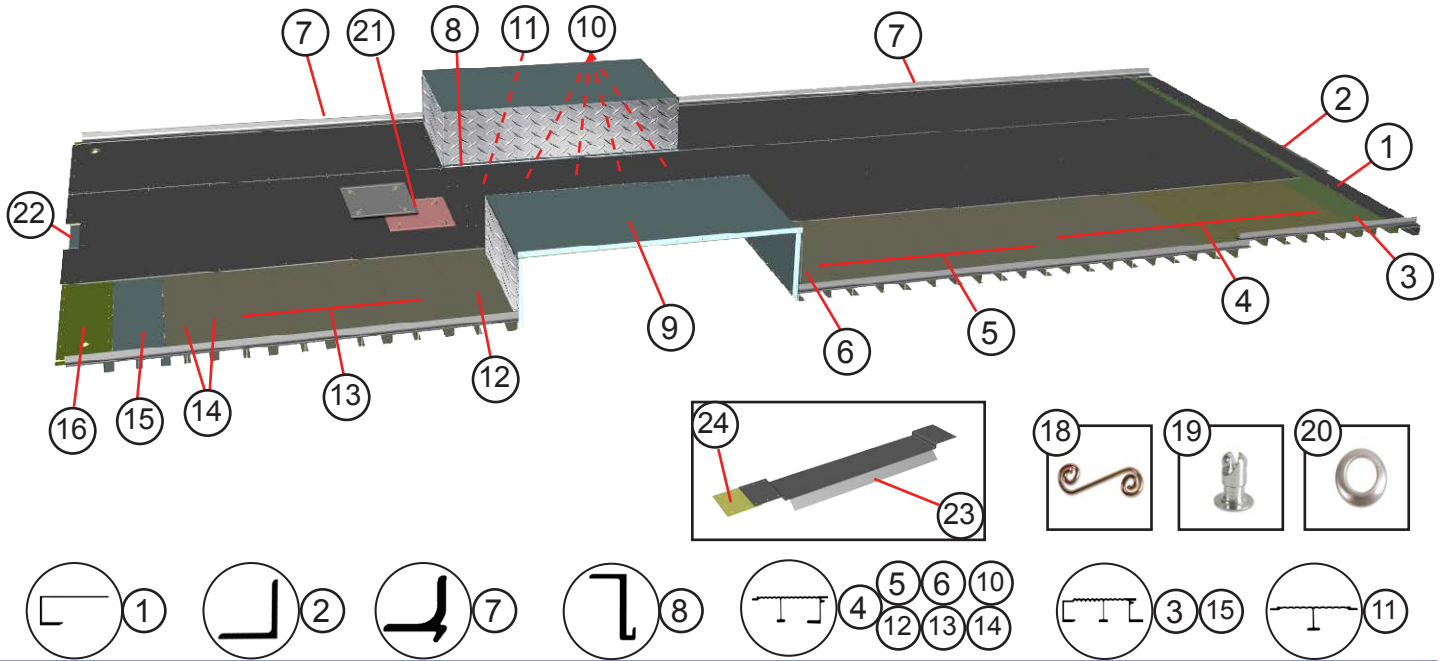
ITEM #	PART #	DESCRIPTION	QTY.	UNIT
29	44002004	BUMPER RUBBER HOOD REST	2	EA
30	47006116	GAS SPRING WITH LOCK 140LB 20/12 IGS	1	EA
31	47006117	GAS SPRING WITH OUT LOCK 140LB 20/12 IGS	1	EA
32	40900019	STUD BALL SUSPENSION	4	EA
33	96713300	STOP ANGLE HOOD REST	2	EA
34	47000613	HOOD LATCH	2	EA
35	077150400	BRACKET HOOD REST	2	EA
36	124016401	BRACKET GAS SPRING AL.125X3.6X16.48 ROADSIDE	1	EA
37	124016402	BRACKET GAS SPRING AL.125X3.6X16.48 CURBSIDE	1	EA
38	124016403	BRACKET HOOD LOWER AL.188X2.85X6.4 CURBSIDE	1	EA
39	124016404	BRACKET HOOD LOWER AL.188X2.85X6.4 ROADSIDE	1	EA
40	47004137	WASHER BOTTLE WITH PUMP	1	EA
41	003705413	WASHER BOTTLE MOUNTING PLATE	1	EA
42	45700101	MESH GRILL	1	EA
43	077260400	SPLASH PAN ROADSIDE	1	EA
44	077260404	SPLASH PAN CURBSIDE	1	EA
45	43000903	HOOD PROPER INSTRUCTIONS LABEL	1	EA
46	112017426	BRACKET HOOD SW	1	EA
47	088017433	SUPPORT SPLASH PAN AL .102X16.07X16.83	1	EA
48	088017436	SUPPORT SPLASH PAN AL .102X16.07X16.83	1	EA
49	088017427	SPLASH PAN AL .102X19.43X26.95 ROADSIDE	1	EA
50	088017430	SPLASH PAN AL .102X19.93X26.95 CURBSIDE	1	EA
51	088017437	STRAP AL .125X2.98X25.76 ROADSIDE	1	EA
52	088017438	STRAP AL .125X2.98X25.76 CURBSIDE	1	EA
NS	44004077	SEAL TAPE #1458BTXFT	4.42	FT



ITEM #	PART #	DESCRIPTION	QTY.	UNIT
1	077240400	CROSSMEMBER CENTER	1	EA
2	118024207	STEP ASSEMBLY ROADSIDE	1	EA
3	083024464	CHANNEL CROSSMEMBER ROADSIDE	1	EA
4	138024252	STEP ASSEMBLY CURBSIDE	1	EA
5	118024404	LID BATTERY	1	EA
NS	96724608	DAMPENING PAD 45200007X9X20	1	EA
7	083024465	CHANNEL CROSSMEMBER CURBSIDE	1	EA
8	1113334	LATCH STEPS	2	EA
9	006324498	HINGE	1	EA
10	108024201	TRANVERSE FLOOR WELDMENT	1	EA
11	40900080	STUD	6	EA
		DZUS #AJ 6 60		
12	40900081	GROMMET HALF	6	EA
		DZUS #GH 6S CP		
13	40900082	SPRING	6	EA
		DZUS #S 6 350		
14	083005459	PLATE FILLER	1	EA
15	083005452	PLATE FILLER	1	EA
17	118026401	BATTERY SHIELD	2	EA
18	088024417	SHIM OUTRIGGER	2	EA
19	090019403	TREAD STEP ALD.08X2.68X27.25 CURBSIDE	1	EA
20	118019400	TREAD TOEBOARD ALD.08X2.63X30.58 ROADSIDE	1	EA
21	118019404	TREAD MAT @ O LINE ALD .08X2.29X63.41	1	EA
22	118019403	TREAD TOEBOARD AL.07X7.89X22.64 CURBSIDE	1	EA
23	077024402	ANGLE TRANVERSE TO FLOOR AL.102X6.35X38.7	1	EA
NS	42002055	INSULATION SOUND ABSORBING FLOOR MAT 60X95	2	EA
NS	03M545058	STIFFENER SLIDING WINDOW AL 450003X29.5DLH	2	EA



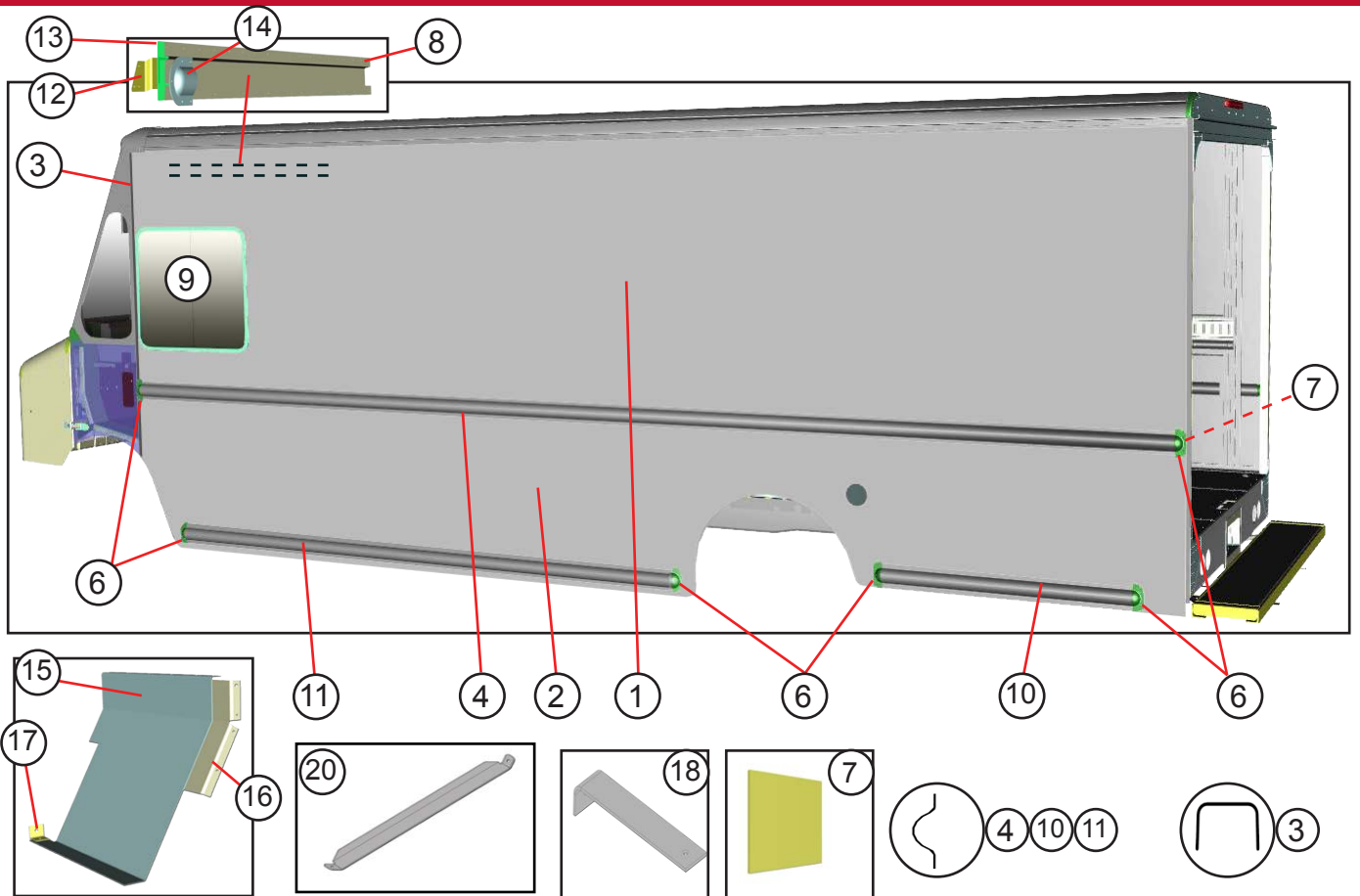
ITEM	PART #	DESCRIPTION	QTY.	UNIT
1	088068058	SEAT PEDESTAL INSTALLATION (INCLUDES FOLLOWING TWO ITEMS)	1	EA
2	47004332	SEAT BASE/PEDESTAL (SEAT SOC ASSEMBLY 3PNT 47012658)	1	EA
NS	47011202	SEAT VNL BLK ARM REST	1	EA
4	47004971	SEAT VNL BLK DRV LUMBAR	1	EA
5	47004972	SEAT HDBK/RST TFTX BLACK	1	EA
6	47004973	SEAT TFTX BLACK FOLDING 16IN. CENTER	1	EA
7	91614300	ANGLE MOUNTING	1	EA
8	48007902	SEAT BELT 3PNT W/7IN DLOOP IMM-OG	1	EA
9	98M582030	BRACE SUPPORT STEEL 7GAX9.43X23.43	1	EA
10	47007912	SEAT BELT W/BOOT BLKH 3PNT ORANGE	1	EA
11	130070403	WASHER JUMP SEAT BASE AL.125X1.5X1.6	2	EA
NS	132069401	STIFFENER ZEE SEAT JUMP AL 450043X77.12	1	EA
NS	132069400	STIFFENER ZEE SEAT JUMP AL 450043X77.12	2	EA



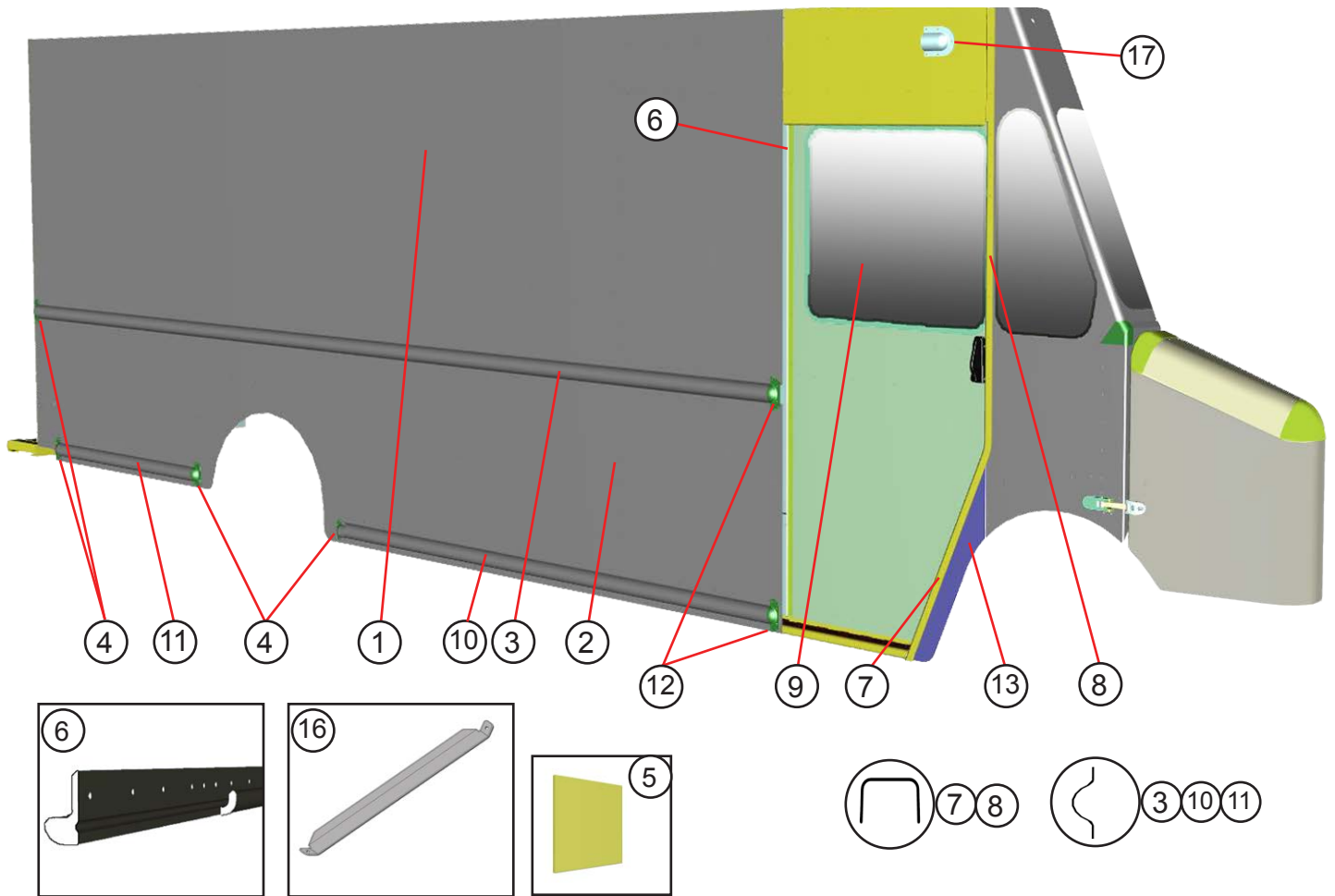
ITEM #	PART #	DESCRIPTION	QTY	UNIT
1	083034401	BEAM @ O LINE	1	EA
2	001730412	ANGLE STEP	1	EA
3	45061101	BEAM AL FLOOR H/D RIB 7X92.19	1	EA
4	45061202	BEAM AL FLOOR H/D RIB 8X92.19	9	EA
5	45061301	BEAM AL FLOOR H/D RIB 9X92.19	6	EA
6	45061401	BEAM AL FLOOR H/D RIB 8.5X92.19	1	EA
7	45030300	ANGLE ATTATCH FLOOR TO SIDE X241	1.213	EA
8	95869302	ANG W/BX ATTATCH AL 450018X44	2	EA
9	95869202	W/BX A 93W 10" DW AL .102 KBK	2	EA
10	45061300	BEAM AL FLOOR H/D RIB 9X91.19	4	EA
11	45058500	BEAM AL FLOOR RIB 8X55.62	1	EA
12	45061401	BEAM AL FLOOR H/D RIB 8.5X92.19	1	EA
13	45061301	BEAM AL FLOOR H/D RIB 9X92.19	5	EA
14	45061202	BEAM AL FLOOR H/D RIB 8X92.19	2	EA
15	45061101	BEAM AL FLOOR H/D RIB 7X92.19	1	EA
16	128033416	PLATE FILLER RR AL.102X7.3X92.19	1	EA
17	117032401	HEAT SHIELD AL.07X3.75X5.12	1	EA
18	40900082	SPRING	4	EA
19	40900080	STUD	4	EA
20	40900081	GROMMET HALF	4	EA
21	138012200	ACCESS DOOR COVER PLATE (SUPPORT PLATE 128012410)	1	EA
22	89308450	ANGLE TIE DOWN REAR STEEL .25X2X3X47	1	EA
23	118006001	HEAT SHIELD	1	EA
24	117032401	HEAT SHIELD ADAPTOR PLATE	1	EA

FLOOR OVERLAY - DIAMOND PLATE

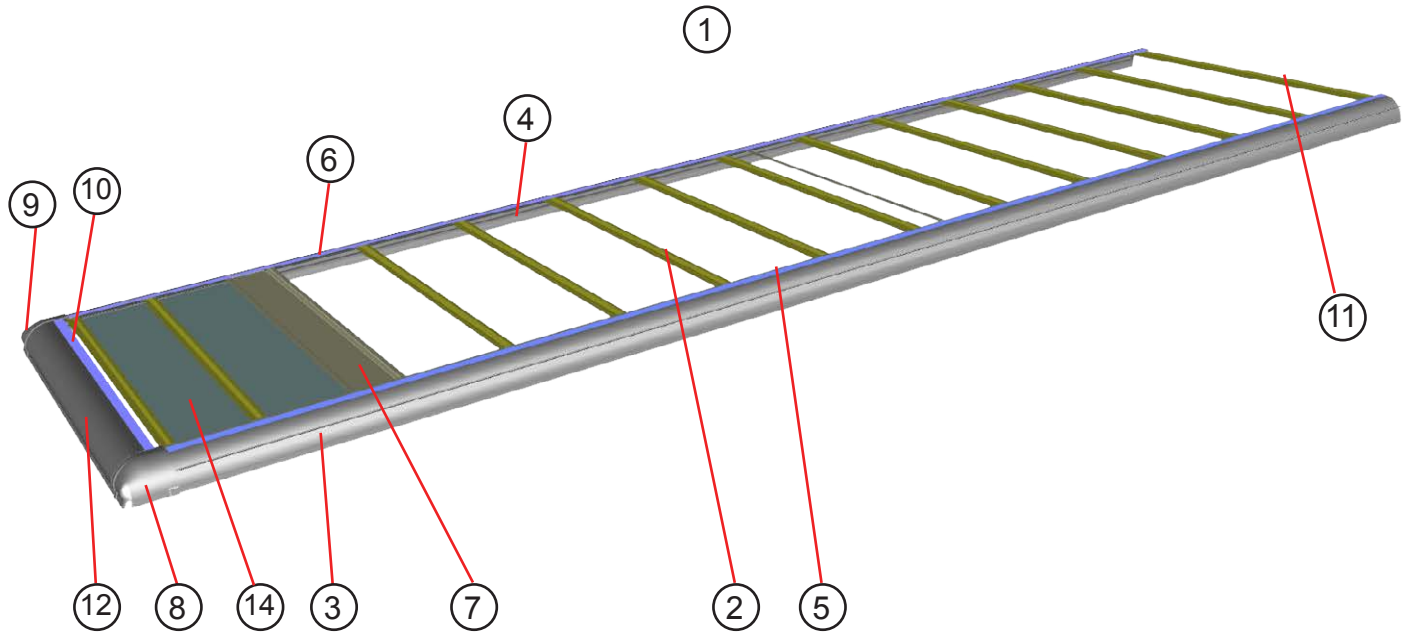
FRONT ROADSIDE	FRONT CENTER	FRONT CURBSIDE	REAR ROADSIDE	REAR CENTER	REAR CURBSIDE
138100452	138100451	138100450	138100455	138100454	138100453



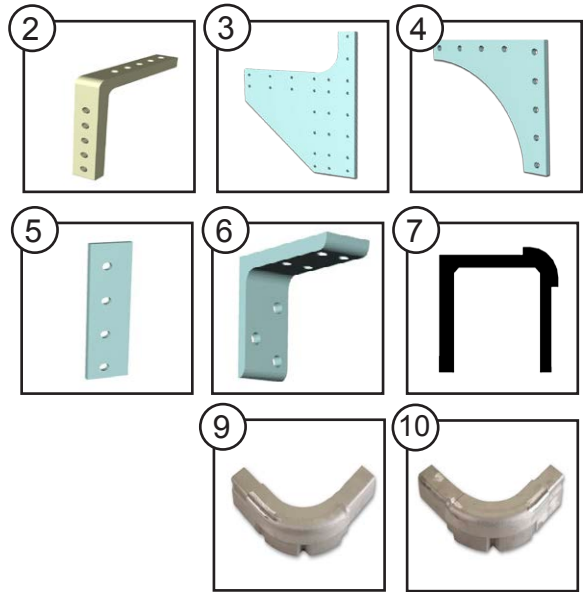
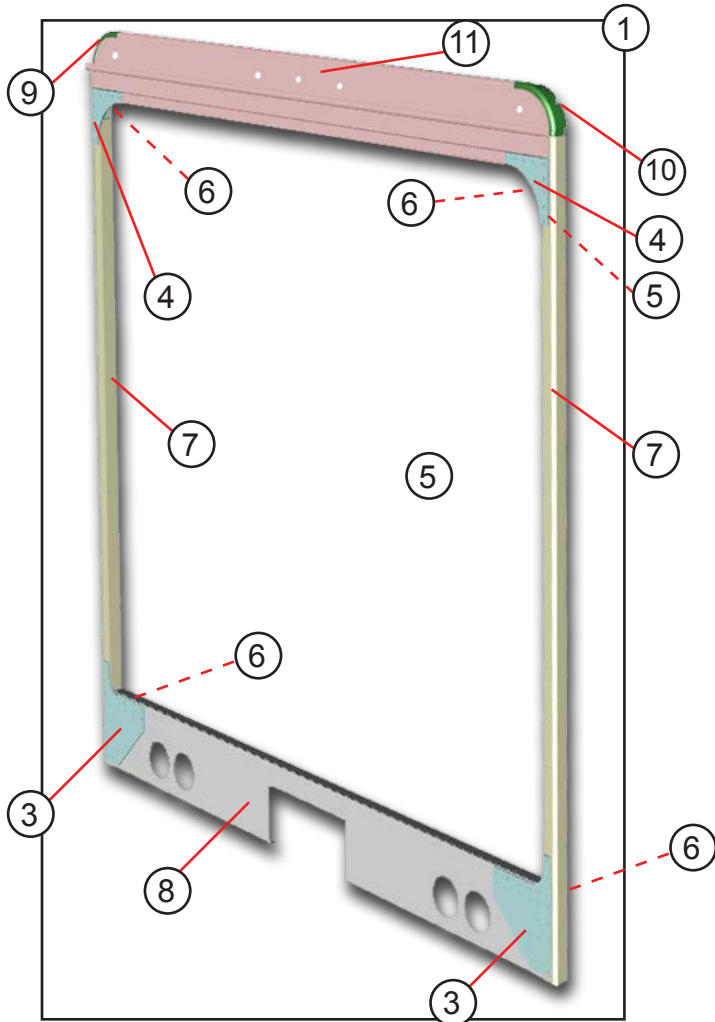
ITEM #	PART #	DESCRIPTION	QTY	UNIT
1	088046432	SIDE UPPER AL .102X60X314.31	1	EA
2	118045575	SIDE LOWER (CALL FOR REAR QUARTER PANEL ONLY)	1	EA
3	088044200	D POST ASSEMBLY (TOP 088044402 - BOTTOM 088044403)	1	EA
4	088039333	RUBRAIL UPPER	1	EA
5	1100800	END CAP FORWARD	1	EA
6	1100799	END CAP REAR	5	EA
7	7600165	FILLER PLATE (UNDER RUBRAIL ENDCAP)	2	EA
8	137042000	STIFFENER ASSEMBLY	1	EA
9	45800062	WINDOW SLIDING	1	EA
10	088039464	RUBRAIL LOWER REAR AL 450002X78	1	EA
11	088039422	RUBRAIL LOWER FWD AL 450002X167.32	1	EA
12	96742302	CLIP AL Z .102X3X9.57	1	EA
13	45100074	CAP RAIL END	1	EA
14	47008533	VENT CAP	1	EA
15	82312301	SPLASH PAN	1	EA
16	82312024	SPLASH PAN	1	EA
17	82312025	SUPPORT S/PAN	1	EA
18	118012401	SUPPORT FUEL FILL	1	EA
NS	138012402	BRACKET FUEL FILL SUPPORT AL.25X11.25X13.36	1	EA
20	001744400	GUSSET FLOOR TO SIDE	5	EA



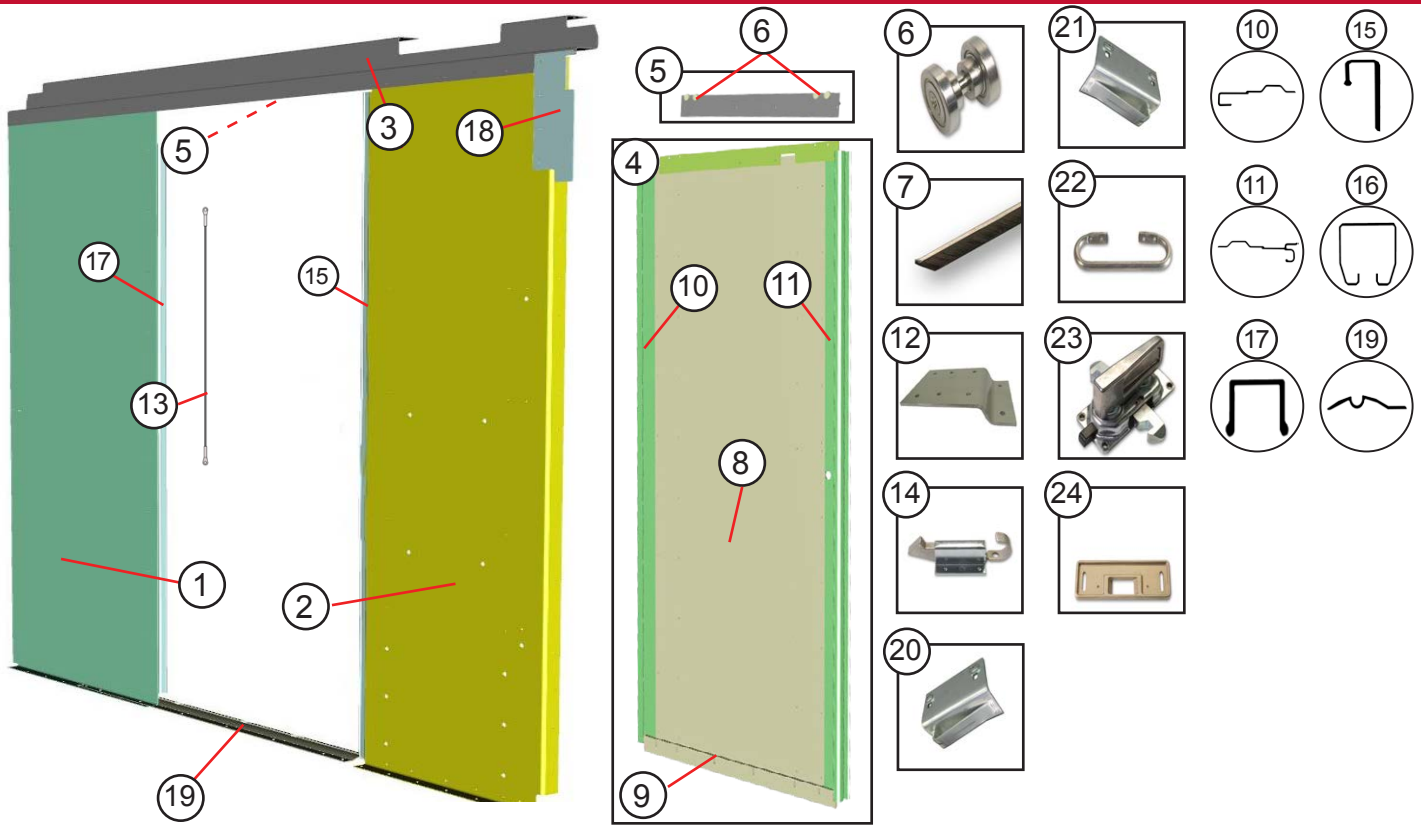
ITEM #	PART #	DESCRIPTION	QTY	UNIT
1	088038332	SIDE UPPER	1	EA
2	118037679	SIDE LOWER	1	EA
3	088039311	RUB RAIL	1	EA
4	1100799	END CAP REAR	4	EA
5	7600165	FILLER PLATE (UNDER RUBRAIL ENDCAP)	2	EA
6	077400401	B POST 85H AL 450274X99.62	1	EA
7	SEE PG 18	DOOR POST BOTTOM	1	EA
8	SEE PG 18	DOOR POST TOP	1	EA
9	45800063	WINDOW SLIDING SASH	1	EA
10	088039406	RUBRAIL LOWER FORWARD	1	EA
11	088039464	RUBRAIL LOWER REAR	1	EA
12	1100800	END CAP FORWARD	2	EA
13	098022401	SKIRT TAIL CURBSIDE	1	EA
NS	45210009	PANEL DOOR INNER PLASTIC 39.4X40.02RH	1	EA
NS	42002001	INSULATION RFLT 4FTX3.25FT	1	EA
16	001744400	GUSSET FLOOR TO SIDE	5	EA
17	47008533	VENT CAP	1	EA



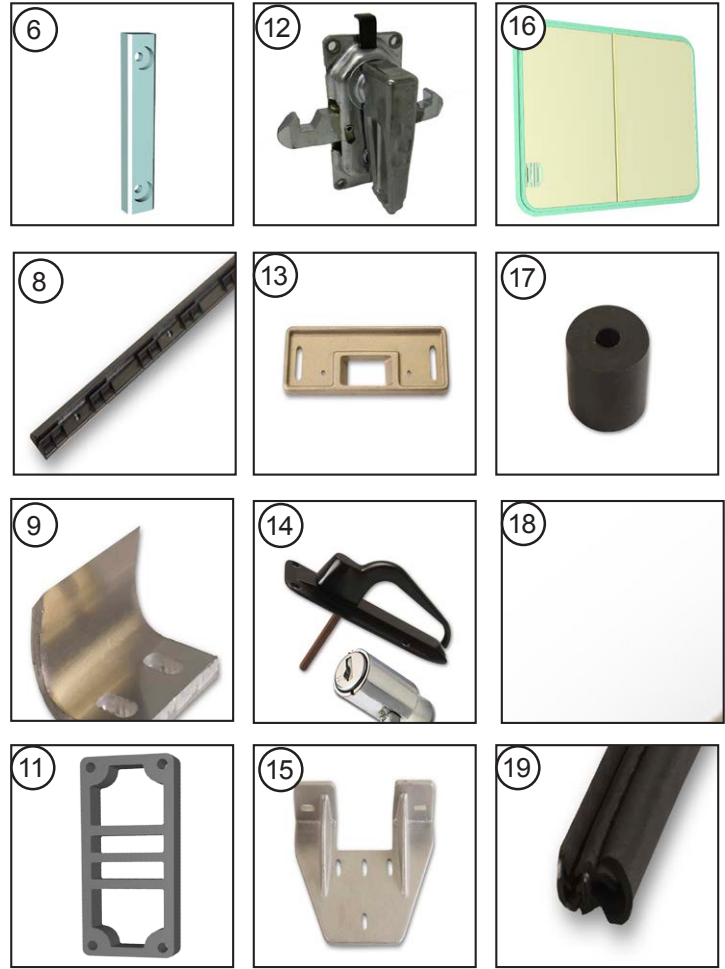
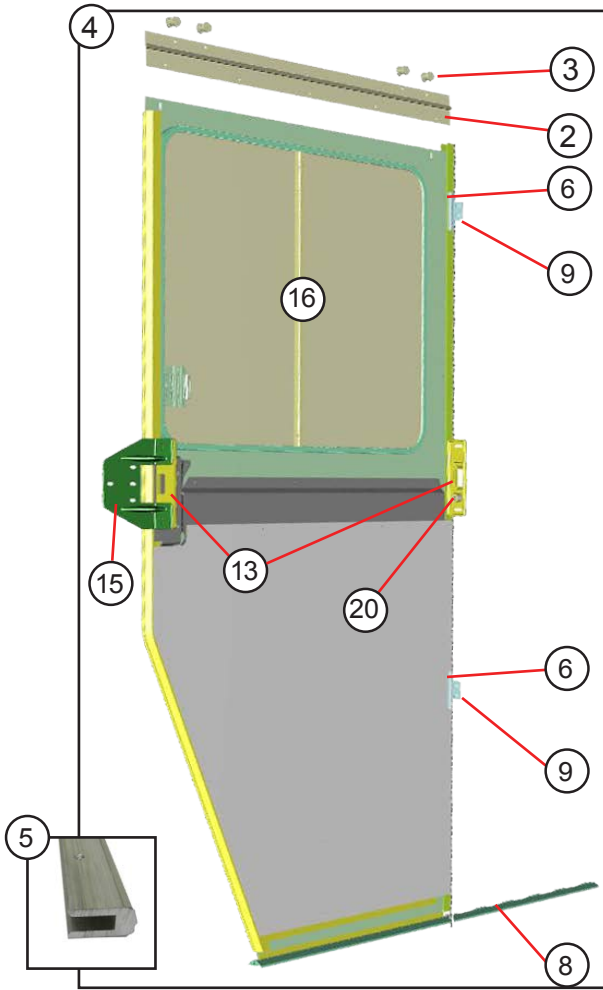
ITEM #	PART #	DESCRIPTION	QTY	UNIT
1	088010034	ROOF ASSEMBLY 22' 93W	1	EA
2	45601603	ROOF BOW STEEL 16GA SEC456016 X89.12	13	EA
3	098010421	ROOF RAIL 22' 456144X309.25 ROADSIDE	1	EA
4	098010422	ROOF RAIL 22' 456144X309.25 CURBSIDE	1	EA
5	088010524	RAIL INTERLOCK ROADSIDE	1	EA
6	088010525	RAIL INTERLOCK CURBSIDE	1	EA
7	89310478	ROOF BEAM @ O LINE	1	EA
8	077100400	CORNER CASTING ROADSIDE	1	EA
9	077100401	CORNER CASTING CURBSIDE	1	EA
10	89310506	NOSE ROOF INTERLOCK	1	EA
11	89310507	ROOF INTERLOCK TRANSOM	1	EA
12	083010400	ROOF NOSE	1	EA
NS	45200851	ROOF SKIN FIRERGLASS RF .075X82.25XFT	25.98	FT
14	083011470	ROOF LINER INSTALLATION FIBERGLASS	1	EA
15	47006610	CLIP PLASTIC FLAT HEAD	52	EA



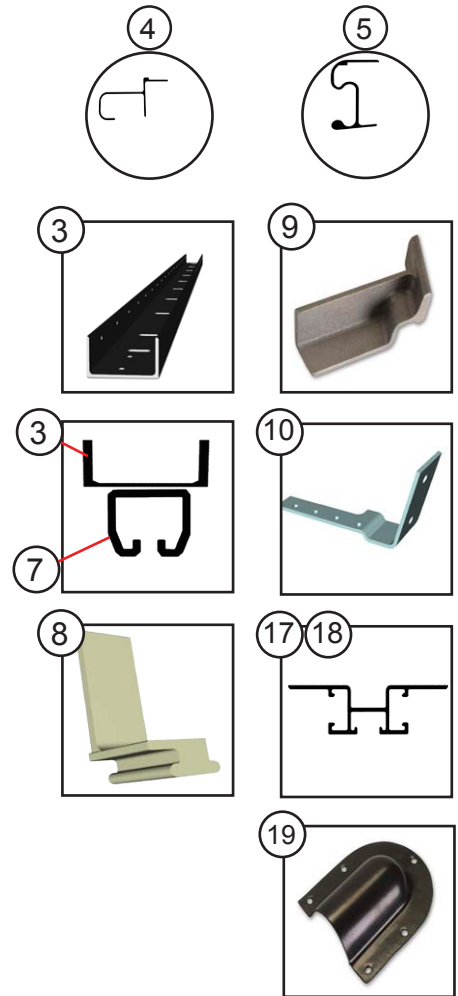
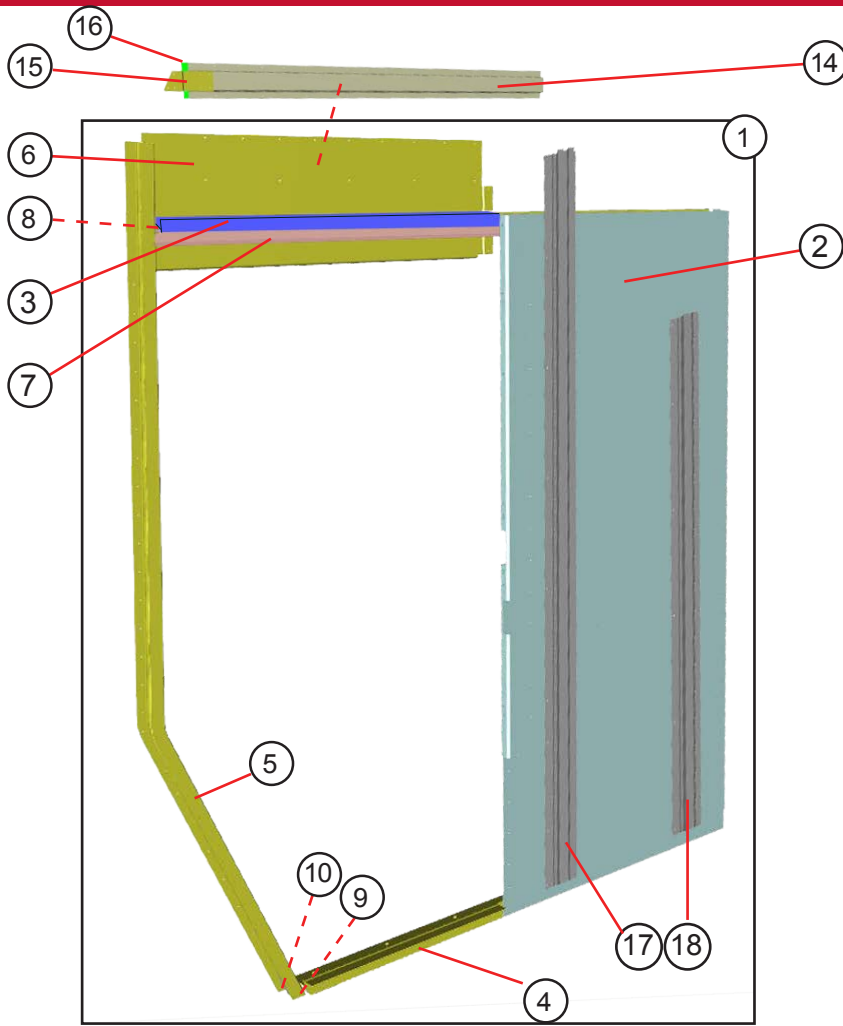
ITEM #	PART #	DESCRIPTION	QTY	UNIT
1	118053003	BACK ASSEMBLY 85H 93W F/O RUD N/LMP N/BX	1	EA
2	1126108	ANGLE .62X5.75X5.75X1	2	EA
3	7400206	GUSSET RUD LOWER .25X9.88X13.5	2	EA
4	7400207	GUSSET RUD UPPER .25X7.12X7.38	2	EA
5	7400208	SHIM GUSSET .188X1.38X6	2	EA
6	89353301	CLIP HOLDER 450198X1.25LH/RH	2	EA
7	114097400	POST CORNER REAR ALE450359X91.94	2	EA
8	083053601	SILL REAR 93W AL 450024X88.75	1	EA
9	45100009	CORNER CAST ROADSIDE	1	EA
10	45100010	CORNER CAST CURBSIDE	1	EA
11	083053401	TRANSOM	1	EA



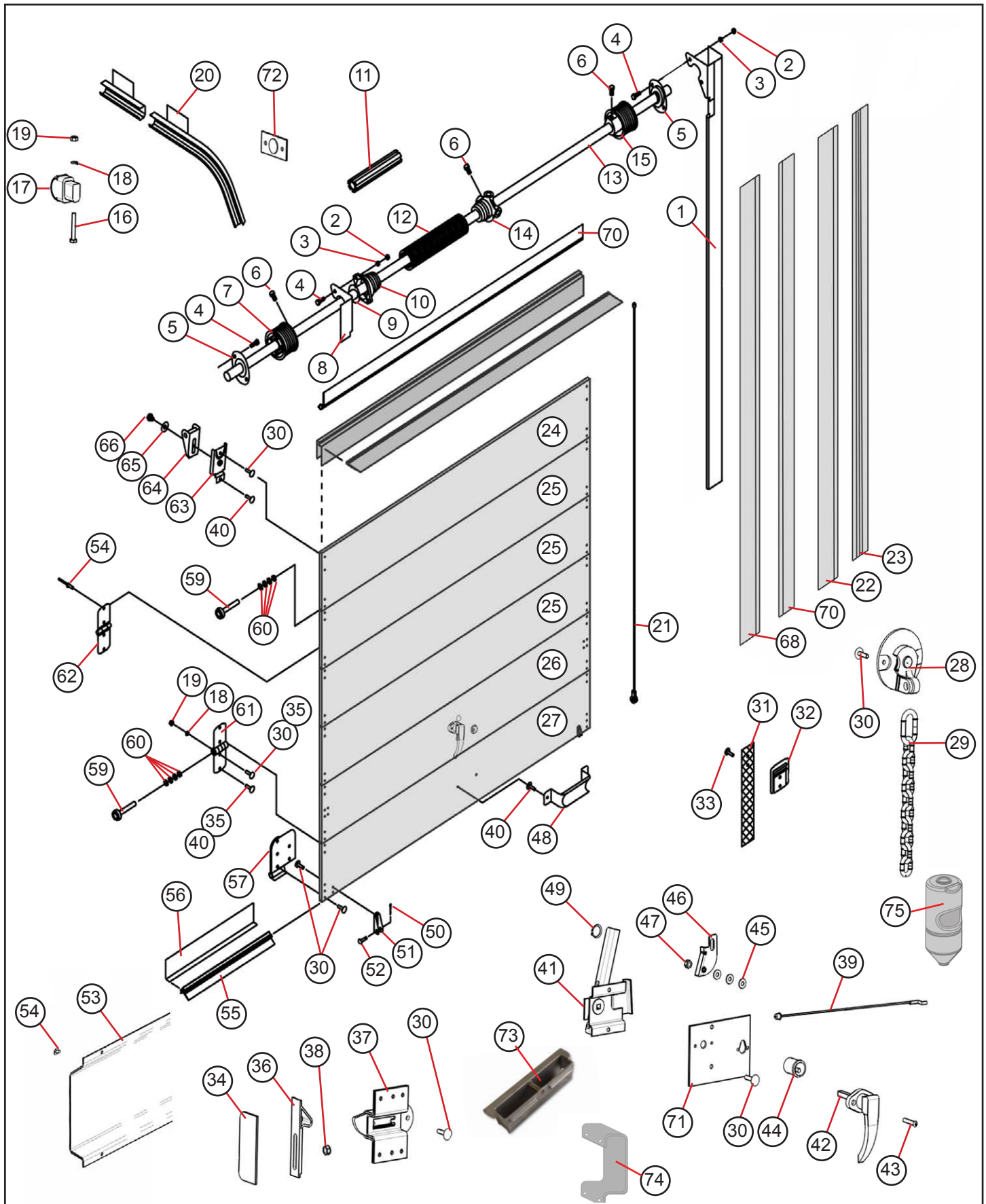
ITEM #	PART #	DESCRIPTION	QTY	UNIT
1	118070406	PANEL BULKHEAD AL.102X35.34X81.17 ROADSIDE	1	EA
2	128070480	PANEL BULKHEAD AL.102X24.13X81.38 CURBSIDE	1	EA
3	118070410	HEADER BULKHEAD ZEE AL.102X8.9X92.4 ROADSIDE	1	EA
4	118070200	DOOR ASSEMBLY BULKHEAD NO/WINDOW F/PULL 32"	1	EA
5	088070252	HANGER ASSEMBLY W/SEAL BULKHEAD 3.34X32.13	1	EA
6	47006595	BEARING ASSEMBLY	4	PR
7	44008050	SEAL BRUSH TYPE B	1	EA
8	118070403	PANEL DOOR BULKHEAD AL.125X29.37X77.26	1	EA
9	088070516	WEAR STRIP BULKHEAD AL452002X33.75	1	EA
10	118070405	EDGE BULKHEAD DOOR AL450504X77.26 CURBSIDE	1	EA
11	118070404	EDGE BULKHEAD DOOR AL450503X77.26 ROADSIDE	1	EA
12	92537309	PLATE MOUNTING LATCH AL .125X3X5.29	1	EA
13	1113603	CABLE BULKHEAD.125X29 BLACK VNL .375EYE	1	EA
14	1113046	LATCH FINGER PULL	1	EA
15	118070407	CHANNEL BULKHEAD AL450502X76.15 CURBSIDE	1	EA
16	088070251	TRACK DOOR ASSEMBLY 32" SLID	1	EA
17	118070408	JAMB AL450326X78.37 ROADSIDE	1	EA
18	118070411	PLATE BULKHEAD AL.055X3.56X12.29 CURBSIDE	1	EA
19	96770316	GUIDE DOOR FLOOR AL 450414X47.88	1	EA
20	98770201	STRIKER WELDMENT BULKHEAD ASSEMBLY	1	EA
21	98770202	STRIKER WELDMENT BULKHEAD ASSEMBLY	1	EA
22	90187300	GRAB HANDLE	1	EA
23	1113016	LOCH MECH INNER	1	EA
24	45100093	STRIKER BRONZE D/S REAR	2	EA



ITEM #	PART #	DESCRIPTION	QTY.	UNIT
1	118060009	SIDE DOOR INSTALLATION (CURBSIDE)	1	EA
2	96760203	HANGER ASSEMBLY	1	EA
3	47006595	BEARING (SEE PAGE 16 ITEM 6 FOR ILLUSTRATION)	4	PR
4	118060201	SIDE DOOR ASSEMBLY	1	EA
5	98760306	WEATHER STRIP D/S 450008X25.75	1	EA
6	45200206	SPACER ANTI RATTLE	2	EA
NS	120041000	LATCH KIT (INCLUDES ITEMS 11 AND 12)	1	EA
8	47002766	DOOR GUIDE NYLON	1	EA
9	96760318	CLIP ANTI RATTLE	2	EA
10	44004104	SEAL RUBBER RS FORWARD	1	EA
11	087181	KASON SPACER	1	EA
12	1113016	LATCH	1	EA
13	45100093	STRIKER BRONZE CAST D/S REAR	2	EA
14	47000689	HANDLE BLACK (REMOVABLE LOCK CYCLINDER 47001181)	1	EA
15	45100094	BRACKET STRIKER CAST D/S	2	EA
16	45800062	WINDOW SLIDING	1	EA
17	44002011	RUBBER BUMPER	1	EA
18	44008050	SEAL BRUSH TYPE B 1X83.9	1	EA
19	1107270	SEAL TR SCHLEG1426-X999	8	FT

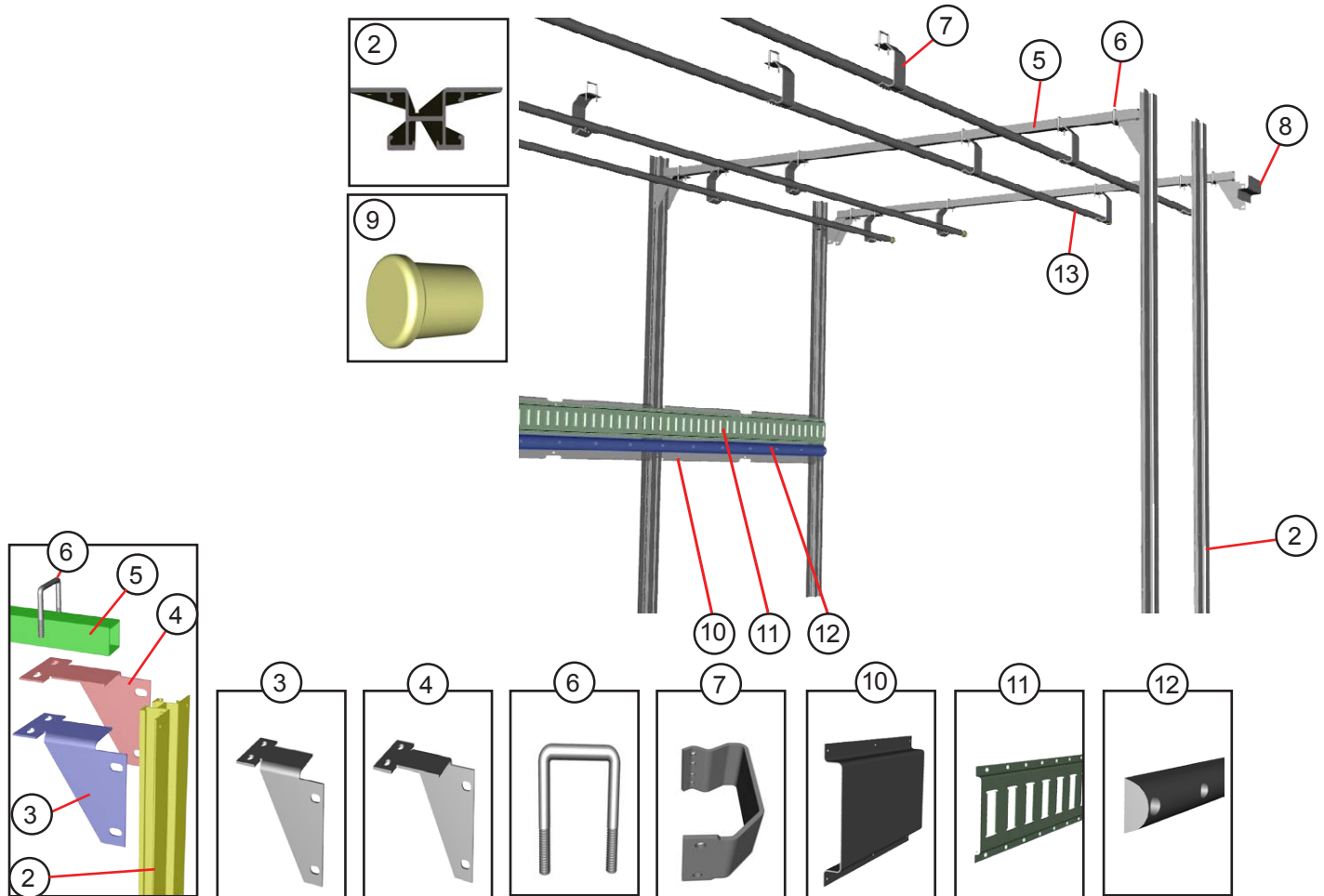


ITEM #	PART #	DESCRIPTION	QTY.	UNIT
1	077041209	DOOR POCKET ASSEMBLY	1	EA
2	118041401	PANEL DOOR POCKET	1	EA
3	96741303	CHANNEL HEADER	1	EA
4	98741353	NOSE STEP	1	EA
5	077410401	DOOR POST	1	EA
6	077410409	PANEL HEADER	1	EA
7	96741202	TRACK ASSEMBLY	1	EA
8	45100049	GUSSET HEADER CHANNEL TO DOOR POST	1	EA
9	45100105	DOOR POST CASTING LOWER	1	EA
10	001741408	REINFORCEMENT BRACKET	1	EA
11	44004060	SEAL BRUSH TYPE C 1.5X82	1	EA
12	44008050	SEAL BRUSH TYPE B 1X83.9	1	EA
NS	45900001	PLUG WD RUBRAIL	1	EA
14	083042400	STIFFENER HEADER	1	EA
15	96742302	CLIP ZEE	1	EA
16	45100074	CAP RAIL END	1	EA
17	093048406	STIFFENER	1	EA
18	093048412	STIFFENER	1	EA
19	47008533	VENT CAP	1	EA



ITEM #	PART #	DESCRIPTION	QTY.	UNIT
NS	47009612	ROLL-UP DOOR 89X77.5 WEATHERTITE TODCO	1	EA
N/S		MOUNTING ANGLE	2	EA
1		VERTICAL TRACK ASM.- R/H (CURBSIDE)	1	EA
N/S		VERTICAL TRACK ASM.- L/H (ROADSIDE)	1	EA
NS		TRACK KEYLESS MOD (47009726)	1	EA
2		HEX NUT - 5/16" NC	6	EA
3		LOCK WASHER - 5/16"	6	EA
4		HEX HEAD BOLT - 5/16" NC X 7/8"	6	EA
5		BEARING ASSEMBLY	2	EA
6		HEX HEAD SET SCREW - 3/8" NC X 7/8"	2	EA
7		CABLE DRUM - L/H (ROADSIDE)	1	EA
8		SPRING ANCHOR BRACKET	1	EA
9		BEARING - SPRING ANCHOR PLUG	1	EA
10		SPRING ANCHOR PLUG - 2 1/2" I.D. SPRING	1	EA
11		FILLER PLUG - 2 1/2" I.D. SPRING	1	EA
12		SPRING - 2 1/2" I.D. - #5 X 30" LONG	1	EA
13		COUNTERBALANCE SHAFT - 58 3/4" LONG	1	EA
14		SPRING WINDING PLUG - 2 1/2" I.D. SPRING	1	EA
15		CABLE DRUM - R/H (CURBSIDE)	1	EA
16		HEX HEAD BOLT - 1/4" NC X 1 3/4"	2	EA
17		HEAD PROTECTOR	2	EA
18		LOCK WASHER - 1/4" I.D.	14	EA
19		HEX NUT - 1/4" NC	14	EA
20		HORIZONTAL TRACK - R/H (CURBSIDE)	1	EA
N/S		HORIZONTAL TRACK - L/H (ROADSIDE)	1	EA
21		CABLE ASSEMBLY	1	PR
22	47106596	BRUSH SIDE SEAL	2	EA
23		BRUSH RETAINER - SIDE SEAL	2	EA
24		WEATHERTITE TOP PANEL	1	EA
25		WEATHERTITE INTERM PANEL	3	EA
26		WEATHERTITE INTERM LOCK PANEL ASM.	1	EA
27		WEATHERTITE BOTTOM PANEL	1	EA
28		SAFETY CHAIN LOCK ASSEMBLY	1	EA
29		STAINLESS STEEL SAFETY CHAIN W/XM - 3343 SLEEVE	1	EA
30		RIVET - STAINLESS STEEL - 1 1/8"	28	EA
31		PULL STRAP - 62" LONG (BLACK)	1	EA
32		PULL STRAP RETAINER	1	EA
33		SPLINED CARRIAGE BOLT - 1/4" NC X 1 1/2"	2	EA
34		CATCH MOUNTING PLATE - R/H (CURBSIDE)	1	EA
N/S		CATCH MOUNTING PLATE - L/H (ROADSIDE)	1	EA
35		STEP BOLT - 1/4" NC X 1 1/4" STAINLESS STEEL	8	EA
36		LOCK CATCH	2	EA
37		END LATCH - R/H (CURBSIDE)	1	EA

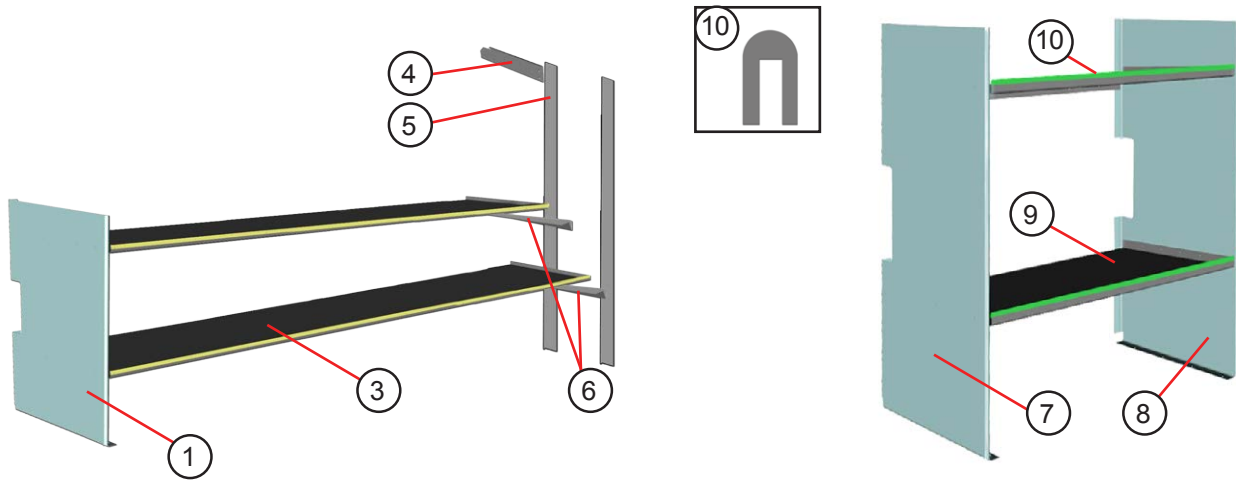
ITEM #	PART #	DESCRIPTION	QTY.	UNIT
	N/S	END LATCH - R/H (ROADSIDE)	1	EA
38		FLANGE LOCK NUT - 5/16" NC	4	EA
39		LOCK CABLE ASSEMBLY - 24 - 9/16" LONG	2	EA
40		RIVET - STAINLESS STEEL - 1" LONG	46	EA
41		CENTER CONTROL ASSEMBLY	1	EA
42		PLAIN "L" HANDLE	1	EA
43		OVAL HEAD MACHINE SCREW - #10 - 32 X 1 1/4"	2	EA
44		BEST CYLINDER KIT - (NO CORE OR KEYS)	1	EA
45		FLAT WASHER - 1/4" I.D.	3	EA
46		TOP CAM CATCH	1	EA
47		LOCK NUT - 1/4" NC	1	EA
48		LIFT HANDLE	1	EA
49		RETAINING RING	1	EA
50		COTTER PIN - 3/32" DIA.	2	EA
51		CABLE ANCHOR BRACKET	2	EA
52		CABLE ANCHOR PIN	2	EA
53		LOCK COVER - ALUMINUM -	1	EA
54		1/4" POP RIVET	30	EA
55		BOTTOM SEAL - HEAVY DUTY -	1	EA
56		BOTTOM ANGLE -	1	EA
57		HEAVY DUTY BOTTOM FIXTURE - R/H (CURBSIDE)	1	EA
	N/S	HEAVY DUTY BOTTOM FIXTURE - L/H (ROADSIDE)	1	EA
58		RIVET - STAINLESS STEEL - 1 1/4" LONG	4	EA
59		ROLLER - SEALED	14	EA
60		SPACER WASHER - ROLLER	16	EA
61		END HINGE	10	EA
62		CENTER HINGE	10	EA
63		BASE - ADJUSTABLE TOP FIXTURE	2	EA
64		SLIDE - ADJUSTABLE TOP FIXTURE	2	EA
65		FLAT WASHER - 3/8" I.D.	2	EA
66		E-LOK BOLT - 3/8" NC	2	EA
67		HEAD SEAL RETAINER - 58 3/4" LONG	1	EA
68		BRUSH SIDE SEAL	2	EA
	N/S	BRUSH SIDE SEAL	2	EA
	N/S	47106599 BRUSH HEADER SEAL 1.5 TOD#70272X91	1	EA
69		DRIVE RIVET - 3/16" X 15/32" LONG	4	EA
70		HEAD SEAL RETAINER -	1	EA
71		BACK PLATE-TWO-POINT LOCK W/BEST CYLINDER	1	EA
72		TRACK CLOSE-OUT	2	EA
	N/S	WIRING COVER	1	EA
	NS	CHANNEL WIRE COVER	1	EA
	NS	ANGLE WIRE COVER	2	EA
73	45100001	BOX MAX SECURITY STRIKER CAST AL	1	EA
74	7400214	BRACKET SPACER DOOR	1	EA
75	47009530	DRAIN CHAMBER HDPE	2	EA
	NS	7400210 PLATE MOUNTING TRACK STEEL 11GA 2.53X3	6	EA



ITEM #	PART #	DESCRIPTION	QTY.	UNIT
1	118095001	PIPE RACK INSTALLATION	1	EA
2	093048412	STIFFENER (STIFFENER SHORT OVER W/BOX 093048415 X4)	1	EA
3	093095414	BRACKET PIPE RACK ROADSIDE (2 PER TUBE)	1	EA
4	093095415	BRACKET PIPE RACK CURBSIDE (2 PER TUBE)	1	EA
5	45601158	TUBE STEEL 14GA 1.3125X252 (AT DOOR POCKET 45601159)	1	EA
6	45601155	U BOLT SQR .31-18 X 2 X 2.375 (6 PER TUBE)	1	EA
7	45601153	HANGER BRACKET STEEL 7GAX5.5 PIPE RACK (4 PER TUBE)	1	EA
8	093095406	ZEE PIPE RACK	1	EA
9	45601152	END CAP RUBBER 1.25" OD BLACK	1	EA
10*	098102439	HAT E/TRACK AL.125X10.79X134.45	1	EA
11*	098102437	E/TRACK HORZ 1101531X105.95	1	EA
12*	098102435	PROTECTIVE RUBBER BUMPER E/TRK 1107307X117	1	EA
13	45601156	PIPE 22'	1	EA
NS	118069401	STIFFENER BULKHEAD ROADSIDE	2	EA
NS	118069400	ANGLE MOUNTING BULKHEAD	1	EA
NS	108105400	ARM SHELF ROADSIDE	4	EA
17	118105409	SIDE PANEL	2	EA
18	118105410	SIDE PANEL	2	EA
19	108105406	SHELF (ITEM 20 - WEAR STRIP SHELF LIP TRIM 118105404 X4)	4	EA

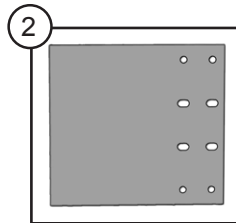
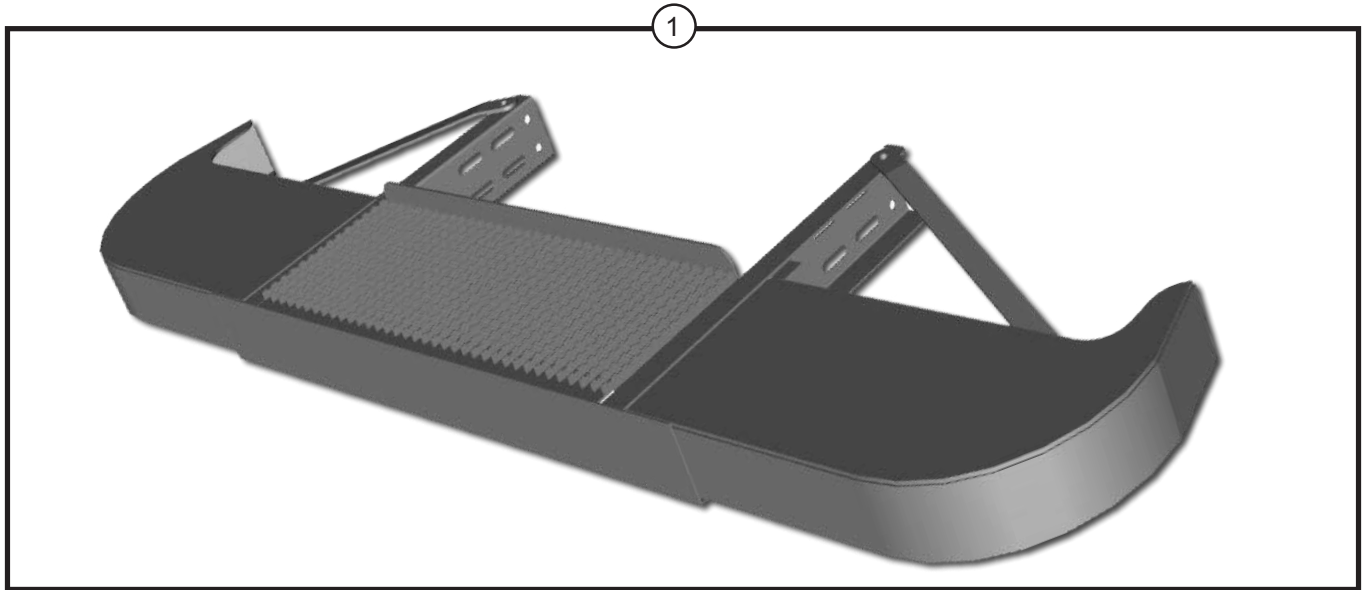
* Items 10, 11 and 12 - Only the longest lengths of materials used are shown above.

E/TRACK HORZ	14"- 098102440	105.95"-098102437	120"- 1101531		
HAT E/TRACK	28"- 098102441	110.5"- 098102436	117.75"-098102401	122.25"-098102403	134.45"-098102439
RUBBER BUMPER	23.98"-098102434	28"- 083102409	112.6"- 083104410	112.95"-098102438	117"- 098102435

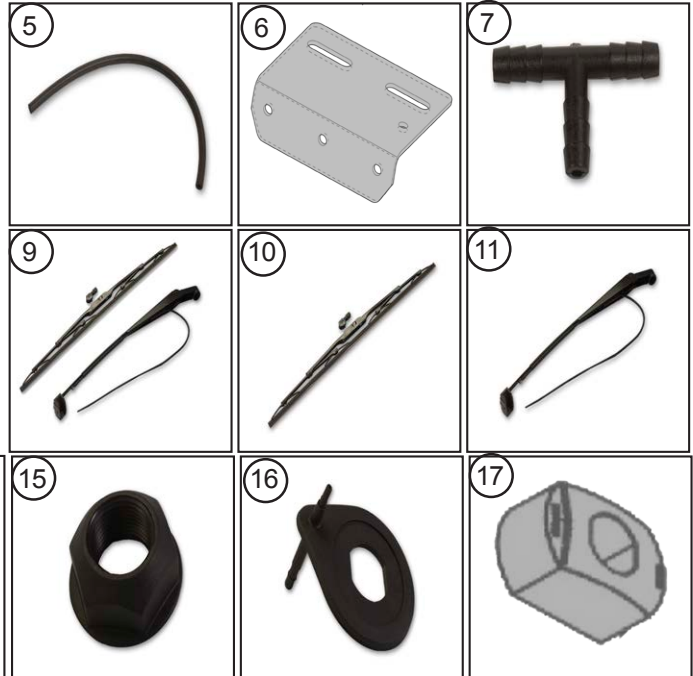
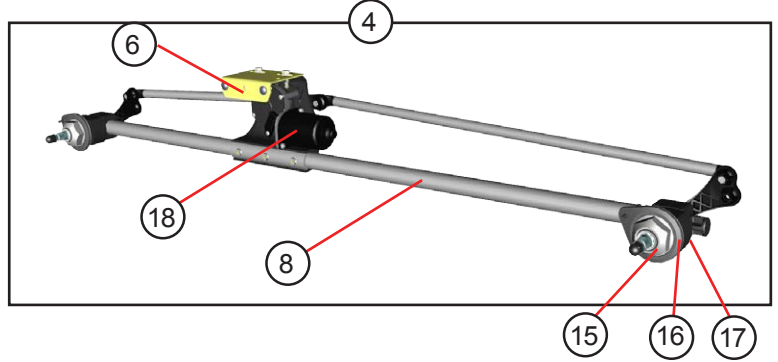


ITEM #	PART #	DESCRIPTION	QTY.	UNIT
1	108105406	PANEL SHELF END AL.102X27.03X44.61LH	1	EA
3	108105403	SHELF PANEL AL.102X26.52X141.76	2	EA
4	118069400	ANGLE MOUNTING BULKHEAD AL.125X5.73X22.5	1	EA
5	118069401	STIFFENER BULKHEAD ROADSIDE ALE450595X83.25	2	EA
6	108105400	ARM SHELF AL.102X8.21X24.62 ROADSIDE	2	EA
7	118105409	PANEL SHELF END	1	EA
8	118105410	PANEL SHELF END	1	EA
9	118105428	SHELF PANEL	2	EA
10	118105404	WEAR STRIP SHELF LIP .25X.75X43	2	EA

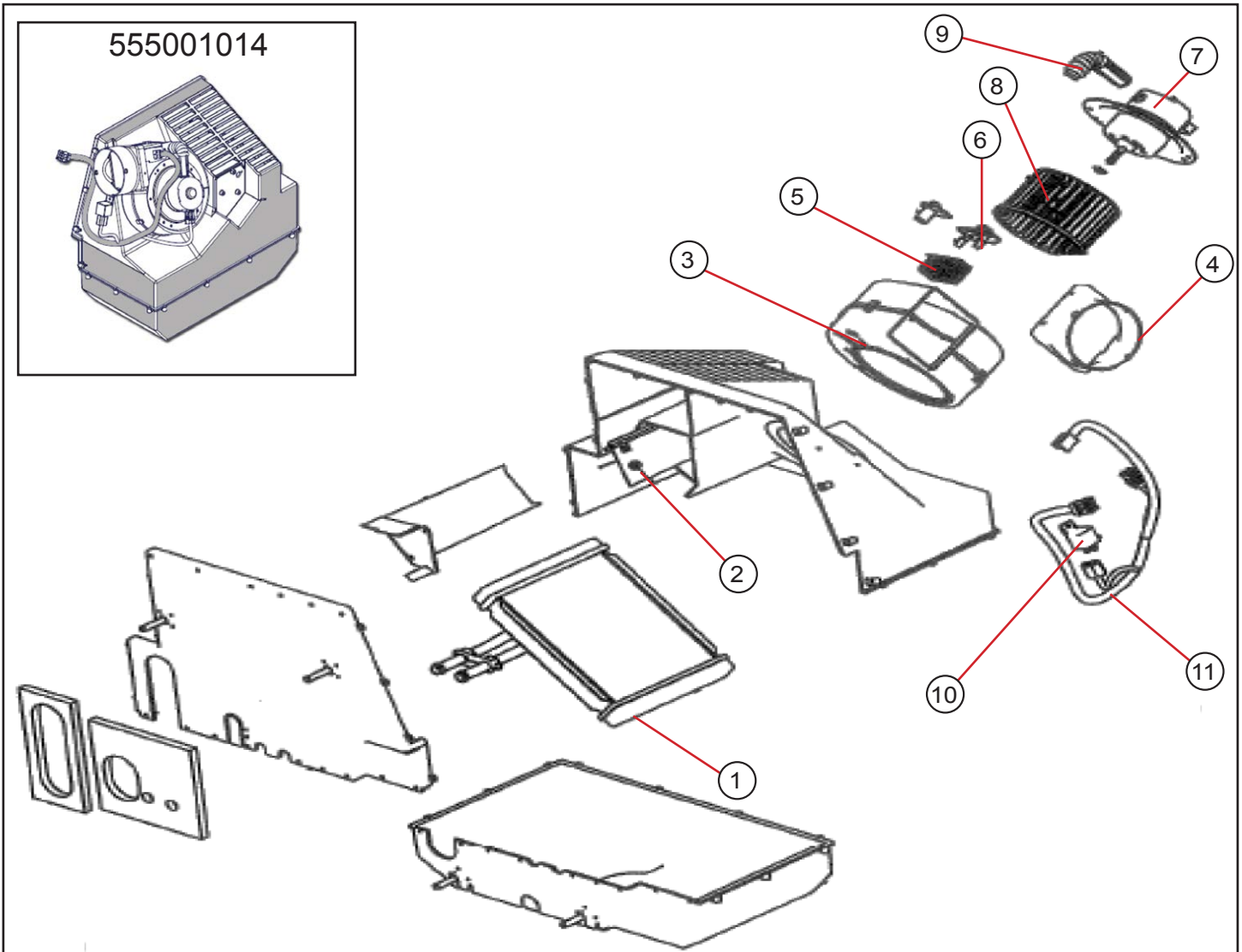
Front Bumper Supplied by Chassis Manufacturer.



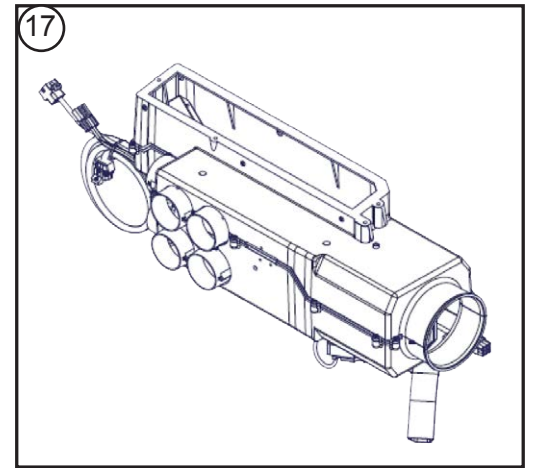
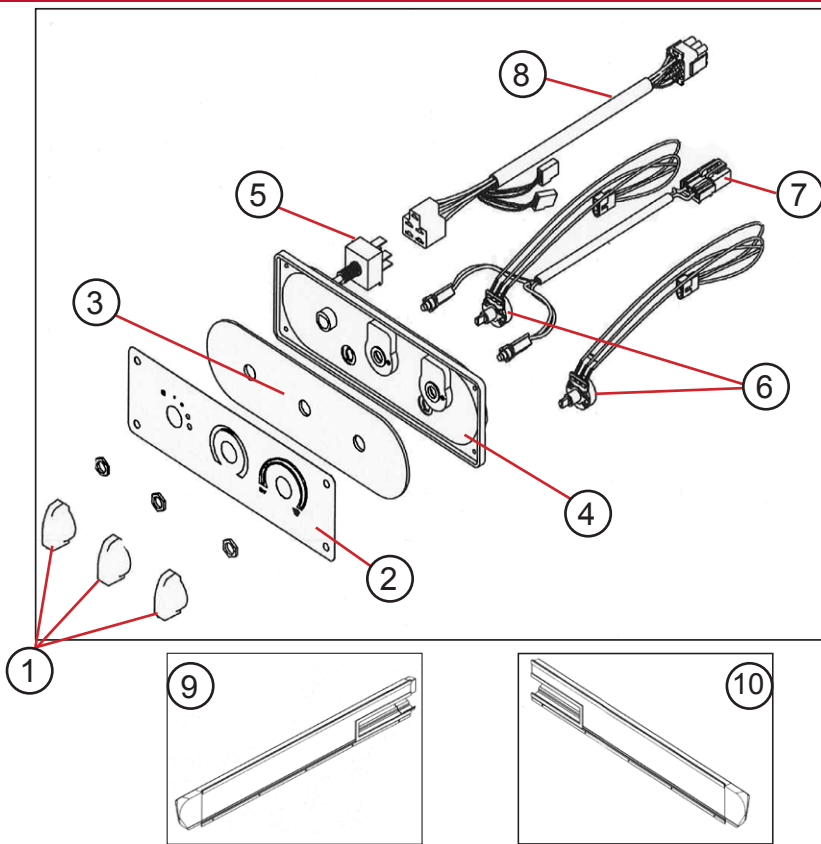
ITEM #	PART #	DESCRIPTION	QTY.	UNIT
1	115057001	REAR BUMPER INSTALLATION	1	EA
2	90506341	HANGER BUMPER STEEL .312X11X12	2	EA



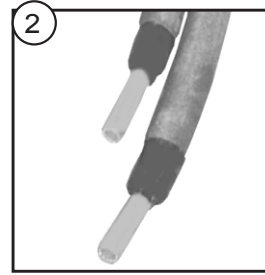
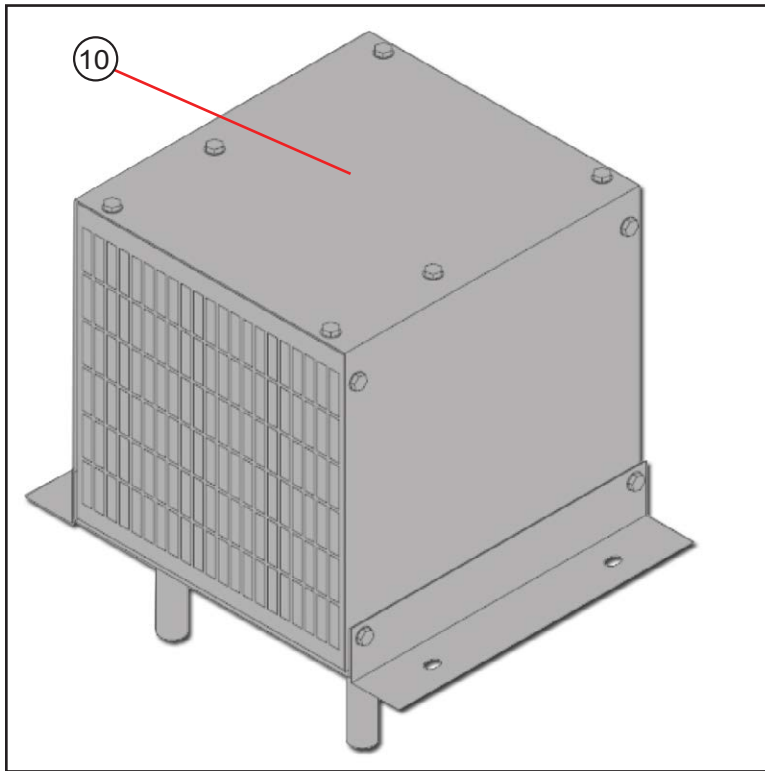
ITEM #	PART #	DESCRIPTION	QTY.	UNIT
1	007151000	MIRROR INSTALLATION	1	PR
2	47005624	MIRROR ASSEMBLY ROADSIDE	1	EA
3	47005625	MIRROR ASSEMBLY CURBSIDE	1	EA
4	117363001	WINDSHIELD WIPER INSTALLATION (INCLUDES ITEMS 5,6,7 AND 8)	1	EA
5	1107122	HOSE .188 ID WSW	12	FT
6	083055454	BRACKET WIPER MOTOR	1	EA
7	1101694	TEE WSWA U/T	1	EA
8	47004188	WIPER SYSTEM TBLR 2 PIVOT	1	EA
9	007363004	WIPER ARM WITH BLADE	1	EA
10	47004134	BLADE 24IN BLACK	1	EA
11	47004186	ARM WSW WET 22IN RADIAL BLACK	1	EA
12	47004137	RSVR W/PUMP WSWA	1	EA
13	003705413	BRACKET MOUNTING RSVR	1	EA
14	46021115	CLIP BODY LARGE PAN	1	EA
15	47005901	NUT	2	EA
16	47005902	PIVOT COVER	2	EA
17	47005903	SPACER	2	EA
18	47005900	MOTOR WINDSHIELD WIPER	1	EA



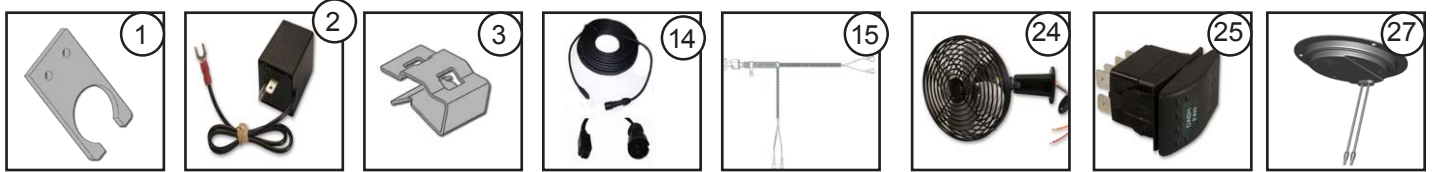
ITEM #	PART #	DESCRIPTION	QTY	UNIT
	555001014	HEATER CORE VCS# 70-07907	1	EA
1	47008760	HEATER COIL W/GASKET & CLAMP	1	EA
2	47008753	DOOR W/SEAL	1	EA
3	47008754	BLOWER HOUSING	1	EA
4	47008755	BLOWER ADAPTER	1	EA
5	47008732	RESISTER CAGE	1	EA
6	47008460	RESISTER	1	EA
7	47008756	BLOWER MOTOR	1	EA
8	47008757	BLOWER WHEEL	1	EA
9	47008730	VENT TUBE	1	EA
10	47008716	RELAY	1	EA
11	47008758	HARNESS	1	EA
NS	47008580	FORMED HEATER HOSE VCS#30-00611	2	EA
NS	555002053	VALVE WAT SCS #70-07754	1	EA
NS	090080004	DUCT FT DUMP SPCL	1	EA
NS	090080401	DUCT FT DUMP SPCL	1	EA



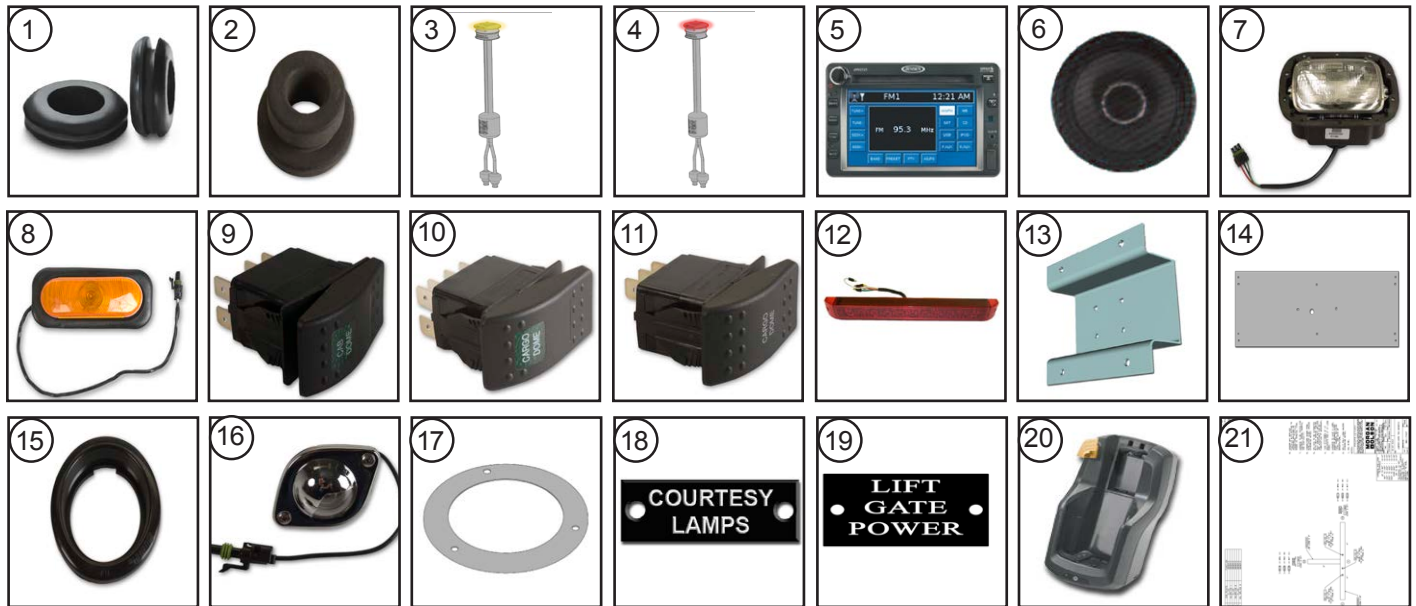
ITEM #	PART #	DESCRIPTION	QTY	UNIT
1	47008706	KNOB	3	EA
2	47008707	DECAL	1	EA
3	47008708	LIGHT PANEL	1	EA
4	47008709	CONTROL PANEL	1	EA
5	47008700	BLOWER SWITCH	1	EA
6	47008710	POTENTIOMETER SWITCH	2	EA
7	47008711	HARNESS W/BULBS	1	EA
8	47008712	HARNESS	1	EA
9	555001719	DEFROST DUCT CURBSIDE	1	EA
10	555001720	DEFROST DUCT ROADSIDE	1	EA
11	093080400	HOLD DOWN PLATE DEFROSTER DUCTS	4	EA
NS	555001523	HOSE DEFROSTER 2.5X16	2	EA
NS	555001524	HOSE DEFROSTER 2.5X30	2	EA
NS	555001525	HOSE DEFROSTER 2.5x38	1	EA
NS	555002003	CLR FRESH SCS #01-06294	1	EA
16	555001715	LUVER BALL	6	EA
17	555001323	DUCT HVAC	1	EA
18	107027405	BRACKET HEATER VENT	1	EA
20	47008232	HOSE HEATER/DEFROSTER 5"X14"	1	EA
21	005780402	MOUNTING PLATE	1	EA
22	002080400	BRACKET HEATER CONTROL AL .102X3X11.67	1	EA



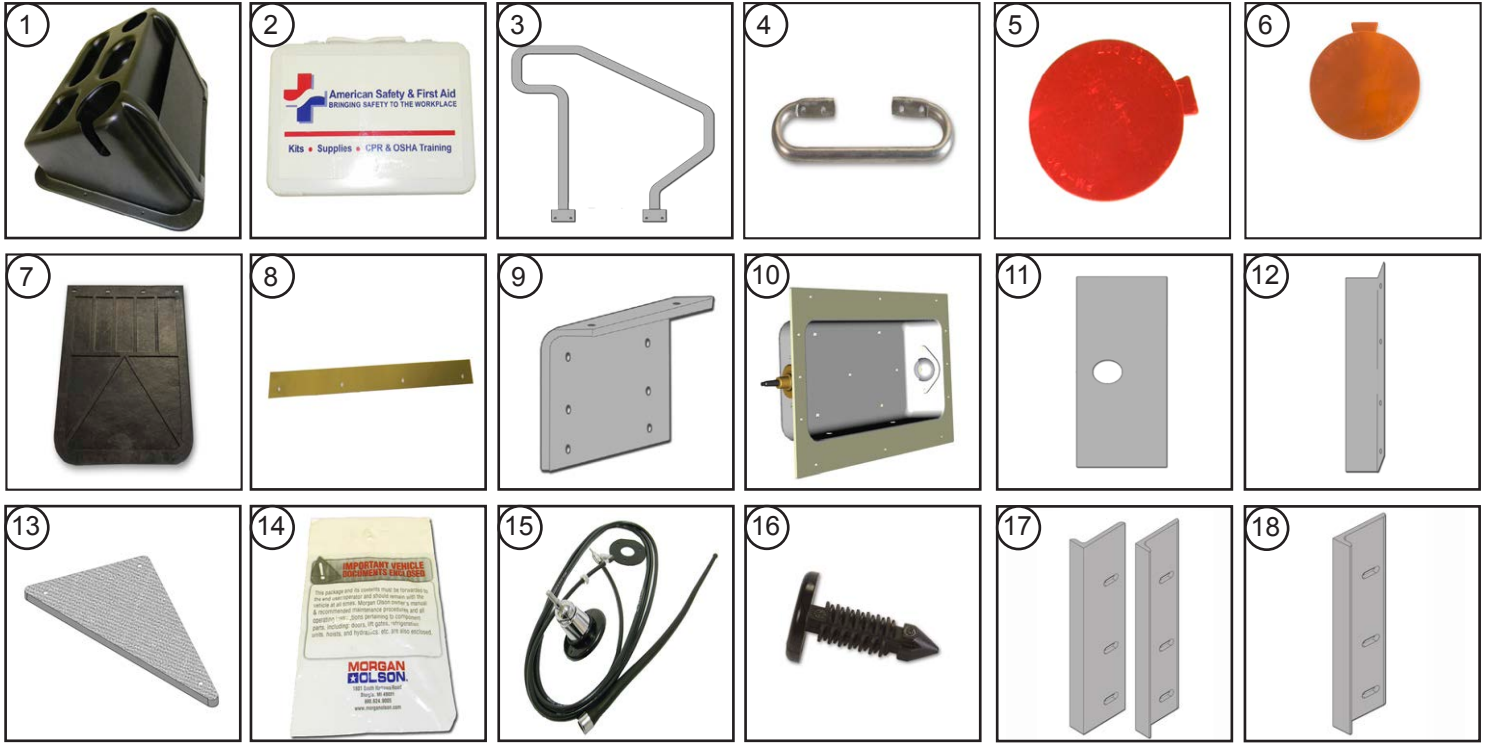
ITEM #	PART #	DESCRIPTION	QTY	UNIT
	137080002	AUXILLARY HEATER INSTALLATION	1	EA
2	1109156	INSULATED HEATER HOSE 1.12DIA XFT	16.5	FT
NS	44001026	HOSE HEATER SLC .62ID XFT	34	FT
4	46004416	GROMMET 1ID .25 MATL THK	5	EA
NS	05M279200	HARNESS ROCKER SWITCH	1	EA
NS	007388322	HARNNESS JUMPER Y 2WR P&P X120	1	EA
NS	007388326	HARNNESS JUMPER Y 2WR P&P X72	1	EA
8	46023616	SWITCH ROCKER ACTUATOR ONLY AUXILLARY HEATER	1	EA
NS	46023617	SWITCH ROCKER BASE ONLY SPDT ON-OFF-ON	1	EA
10	47008587	HEATER AUXILLARY 16.6K BTU 2 SPEED	1	EA



ITEM #	PART #	DESCRIPTION	QTY.	UNIT
1	090087401	FILLER PLATE WIRING	1	EA
2	46026380	FLASHER FOR TTL LED APPLICATIONS	1	EA
3	46021115	CLIP LARGE BODY (SAME AS 005392206)	1	EA
3	46021114	CLIP MEDIUM BODY (SAME APPEARANCE AS ITEM 3)	1	EA
NS	098085201	HARNESS - HOOD 2009 FCC AL HD		
NS	007381203	HARNESS - MID BODY MARKER 2008 STRK	1	EA
NS	007391210	HARNESS - ROOF NOSE	1	EA
NS	098084202	HARNESS - FUSE CENTER	1	EA
NS	098084203	HARNESS - INSTRUMENT PANEL	1	EA
NS	112079204	HARNESS - RADIO PANEL LAMP FD	1	EA
NS	122079201	HARNESS - MOD RADIO/MON PWR/SPKR	1	EA
NS	093093203	HARNESS - ROOF 21/24FT6IN	1	EA
NS	122079202	HARNESS - MOD RADIO/MON TRIG	1	EA
NS	090093202	HARNESS - JUMPER CRG DOME LAMP GEN	1	EA
14	48200113	HARNESS - CAMERA TO MONITOR CABLE ASA #CEC50	1	EA
15	46025591	HARNESS - SPEAKER WIRING	1	EA
NS	007392398	HARNESS - LAMP STPWL RH/DA SW/BAT	1	EA
NS	093093205	HARNESS - TRANSOM CHMSL READY	1	EA
NS	88117437	HARNESS - JUMPER TEE GNRC	1	EA
NS	118084201	HARNESS - COM CENTER FCC 2011	1	EA
NS	090092206	HARNESS - LICENSE PLATE LAMPS	1	EA
NS	46003017	LAMP INT WIPER	1	EA
NS	008300402	LABEL FUSE BLOCK FCC 2008 STRK CURBSIDE	1	EA
NS	008300401	LABEL FUSE BLOCK FCC 2008 STRK ROADSIDE	1	EA
24	46030007	FAN 2 SPEED NO SWITCH 200 CFM	1	EA
25	46023605	SWITCH FAN ROCKER SPDT ON-OFF-ON	1	EA
NS	46023614	SWITCH ROCKER ACTUATOR ONLY BLINKING GREEN DASH	1	EA
27	46002637	LAMP DOME REC LED (3 LOAD / 1 CAB)	1	EA



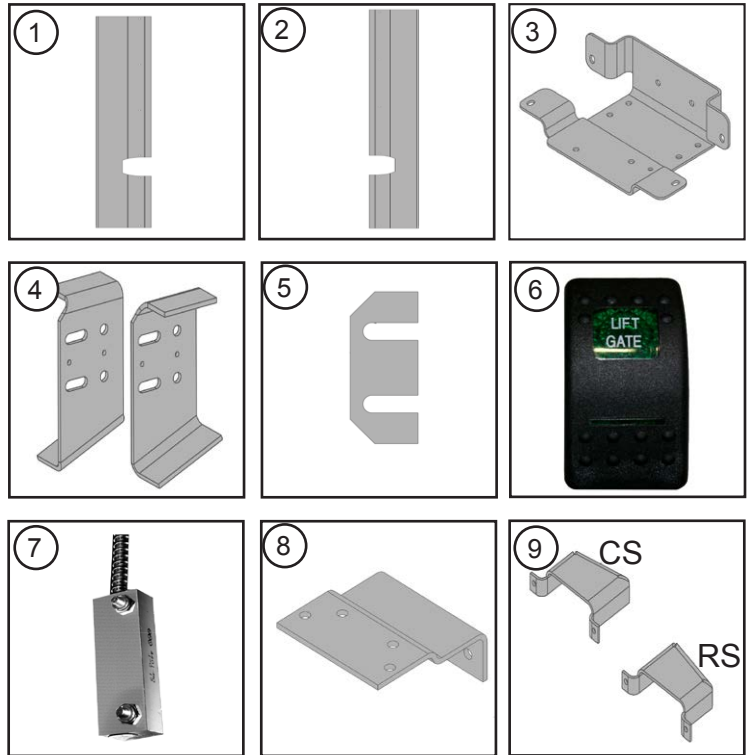
ITEM #	PART #	DESCRIPTION	QTY.	UNIT
1	44000052	GROMMET A/I#28866	1	EA
2	1107072	GROMMET	1	EA
3	46001344	LAMP CLEARANCE MARKER LED NO PC AMB	1	EA
3	46001339	LAMP CLEARANCE MARKER LED PC - AMBER X7	1	EA
3	46001362	LAMP CLEARANCE MARKER LED PC - AMBER X1	1	EA
4	46001340	LAMP CLEARANCE MARKER LED NO PC - RED X7	1	EA
5	46025598	RADIO AM/FM/CD/WB/MON DIN	1	EA
6	46025590	SPEAKER 6.5 IN.	1	PR
7	46000206	HEADLAMP RECTANGLE ASSEMBLY	1	EA
8	46000615	LAMP PARK/TURN LED (SHOWN WITH GROMMET 46004403)	1	EA
9	46023508	SWITCH ROCKER CAB DOME SPST ON-OFF	1	EA
10	46023603	SWITCH ROCKER FRONT CARGO DOME SPDT ON-ON	1	EA
11	999391026	SWITCH ROCKER LOAD DOME SPDT	1	EA
12	46001905	LAMP AUX S/LH + RH TURN BAR (GROMMET 1107109)	1	EA
13	078092400	BRACKET MOUNTING	1	EA
14	100092400	BRACKET DOME LAMP MOUNTING (3 LOAD / 1 CAB)	1	EA
15	46001342	GROMMET FOR CLEARANCE MARKER LEDS	1	EA
16	46002425	LAMP LICENSE PLATE (2 USED)	1	EA
17	47006065	RING TUBE STEEL 4IN ROUND DOME LAMPS (3 LOAD / 1 CAB)	1	EA
18	45200254	LABEL PLACARD LAMP COURTESY	1	EA
19	45200252	LABEL PLACARD LIFT GATE POWER	1	EA
20	46027613	CRADLE HAND COMP	1	EA
21	88117437	HARNESS CRADLE	1	EA
NS	092050406	SHIM LIFT GATE AL .25 X 1.25 X 64.88	1	EA



ITEM #	PART #	DESCRIPTION	QTY.	UNIT
1	47009626	CENTER CONSOLE CUP HOLDER	1	EA
2	007301001	FIRST AID KIT - DSL/GAS W/O LOGO US RSK	1	EA
3	118278000	GRAB RAIL INSTALLATION (GRAB RAIL REMOVABLE 47001053)	1	EA
4	90187300	GRAB HANDLE 9" , OFFSET	1	EA
5	46025017	REFLECTOR RED SPITFIRE 2.88 DIA.	4	EA
6	46025018	REFLECTOR AMBER SPITFIRE 2.88 DIA.	2	EA
7	80795401	MUD FLAPS 24X24 BLACK NO LOGO	1	PR
8	7504428	RETAINER MUD FLAPS	2	EA
9	80795014	ANGLE RETAINER MUD FLAPS	2	EA
10	090092207	LICENSE PLATE BOX ASSEMBLY (W/ TWO LAMPS) (BOX ONLY 1106120)	1	EA
NS	95801001	TIE DOWN KIT	1	EA
11	78331095	PLATE TIE DOWN	23	EA
12	97650306	ANGLE TIE DOWN	2	EA
13	138027418	RUBBER PAD 42002055X4.75X11	1	EA
14	43004362	BAG PLASTIC DOCUMENT WALK-IN	1	EA
15	46025559	ANTENNA	1	EA
16	47006630	CLIP PLASTIC ROUND HEAD 1.32X1.34	15	EA
17	092050410	ANGLE LOWER LIFT GATE AL1126236X11 ROADSIDE	1	EA
18	092050411	ANGLE LOWER LIFT GATE AL1126236X11 CURBSIDE	1	EA



ITEM #	PART #	DESCRIPTION	QTY.	UNIT
1	90187300	GRAB HANDLE-CAB INTERIOR LH	1	EA
NS	47001063	GRAB HANDLE 1" AL 31.875L 2.75DP ANZ	1	EA
2	072124003	DVIR BRACKET	1	EA
3	47009547	REFLECTOR KIT - TRIANGLES	1	EA
4	47009548	BRACKET REFLECTOR FLARE KIT	1	EA
5	93762001	SUN VISOR INSTALLATION ROADSIDE (VISOR ONLY 47005504)	2	EA
6	090061400	BRACKET SUN VISOR CURBSIDE	1	EA
7	117024400	BATTERY SHIELD	1	EA
8	44002011	RUBBER BUMPER BULKHEAD DOOR	1	EA
9	47009621	FIRE EXTINGUISHER W/BRACKET & MET STRAP	1	EA
10	47001001	CHANNEL NUT W/ SPRING	1	EA
11	42002055	SOUND ABSORBING FLOOR MAT 60X95	2	EA
12	104019400	TOEBOARD TRIM ROADSIDE	1	EA
13	104019401	TOEBOARD TRIM CURBSIDE	1	EA
14	48200141	CAMERA BACKUP CLR BLLT (BRACKET 146079401)	1	EA
15	093116410	INSULATION DASH WALL	1	EA
16	1107270	SEAL ENGINE BOX LID	8	FT
18	098028401	ENGINE BOX INSULATION 42002056X13.55X28.25	1	EA
19	098005404	ENGINE BOX INSULATION 42002056X14.28X31.29	1	PR
20	098005405	ENGINE BOX INSULATION 42002056X15.09X33.05	1	EA
21	098005406	ENGINE BOX INSULATION 42002056X21.25X30.59	1	EA
22	098005407	ENGINE BOX INSULATION 42002056X19.58X30.72	1	EA
NS	098137402	PLATE STEP OVERLAY FBG. .125X8.5X24.1	1	EA
NS	098137401	PLATE STEP OVERLAY FBG .125X7.75X22	1	EA



* Weld on and bolt on liftgates are not interchangeable.

If adding, back modifications may be needed. Please call and we will be happy to assist you.

ITEM #	PART #	DESCRIPTION	QTY.	UNIT
4	138008452	BUMPER EXTENSION BRACKET CS (138008453 ROADSIDE)	1	EA
5	138008454	SPACER BUMPER BRACKETS	2	EA
7	46025303	SWITCH MAGNETIC REED CLOSED LOOP	4	EA
8	074091402	BRACKET SWITCH	4	EA
9	124091400	BRACKET MAGNET DOOR RS (124091401 CS)	1	EA
NS	124091200	HARNES LIFT GATE DOOR SAFETY	1	EA

072125038 WELD ON LIFT GATE

3	102092401	MOUNTING BRACKET AL. 102X8.02X10.32	1	EA
NS	46023611	SWITCH - ROCKER BASE ONLY	1	EA
6	46023619	SWITCH ROCKER ACTUATOR	1	EA
NS	007388322	HARNES JUMPER 120"	1	EA
NS	007388326	HARNES JUMPER 72"	1	EA
NS	132087204	HARNES LIFT GATE TRAN TO LIFT GATE	1	EA
NS	47005305	LIFTGATE TVL20A 90X(30+18)+6RP	1	EA

07215048 BOLT ON LIFTGATE

NS	46023611	SWITCH - ROCKER BASE ONLY	1	EA
NS	46023619	SWITCH ROCKER ACTUATOR	1	EA
NS	88117481	HARNES ROCKER SWITCH - POWER TO INSTRUMENT PANEL SWITCH	1	EA
NS	47005361	LIFTGATE BOLT ON TVL SERIES	1	EA
1	092050412	MOUNTING BRACKET ROADSIDE	1	EA
2	092050413	MOUNTING BRACKET CURBSIDE	1	EA