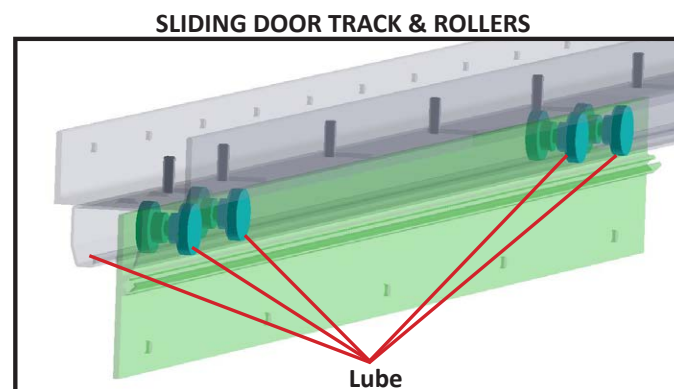
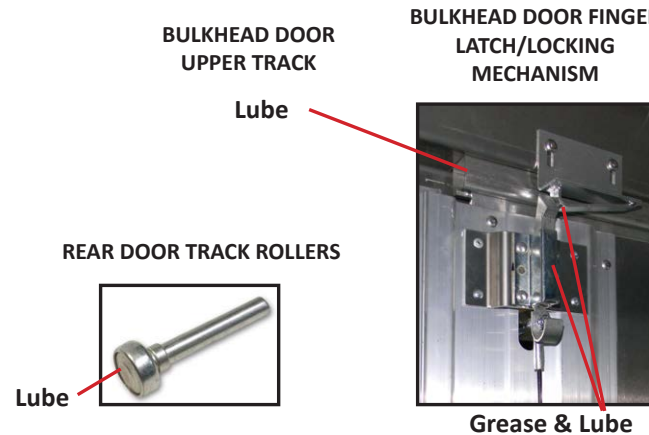


REQUIRED MAINTENANCE WALK-IN VANS

For Customer Service Assistance Call (800) 477-8287

Recommended Lubrication Schedules			
Lubrication (Penetrating Oil)	Side Door	Upper Track (Rollers)	Every 3 Months
		Latch Mechanism	Every 3 Months
	Rear Door	Track Rollers	Every 3 Months
Grease Contact Points (Lithium Based)	Bulkhead Door	Upper Track (Rollers)	Every 3 Months
	Side Door	Latch Strikers	Every 3 Months
		Bulkhead Door	Finger Latch
	Tilt Hood	Locking Mechanism	Every 3 Months
Hinges		Every 3 Months	



!!! WARNING !!!

Failure to follow these maintenance instructions and/or heed the additional advice provided herein can result in serious injury or void your warranty.

Tie Down Bolts - Check tie/down (body/chassis attachment) bolts after first 4 months then every two years thereafter for proper torque.

3/8" -16 Grade 8 - Torque 20-30 ft/lbs
1/2" -13 Grade 5 - Torque 60-70 ft/lbs



Drain Chamber - Periodically check drain for obstruction on trucks built after 1992 with roll-up doors. Plugged drain chambers will cause the rear floor to be wet. Water can create a slippery condition which can result in serious injury. Some water will always be drawn around rear door seals. Functioning drain chambers remove this water from the drop sill area. Drain chambers are located under the floor at the right and left corners of the rear sill.

Hood Stop Bumper - Periodic checks should be done to ensure proper seating of the tilt hood when in a closed position. Hood should not contact cab skirts. Hood stop brackets are slotted to allow for adjustment.

Strike (Roll-Up Doors) - Roll-up door strikes mounted to the tracks for two point latches are slotted allowing for adjustment. They should be checked periodically to insure there is minimal movement of the door when in a closed position.

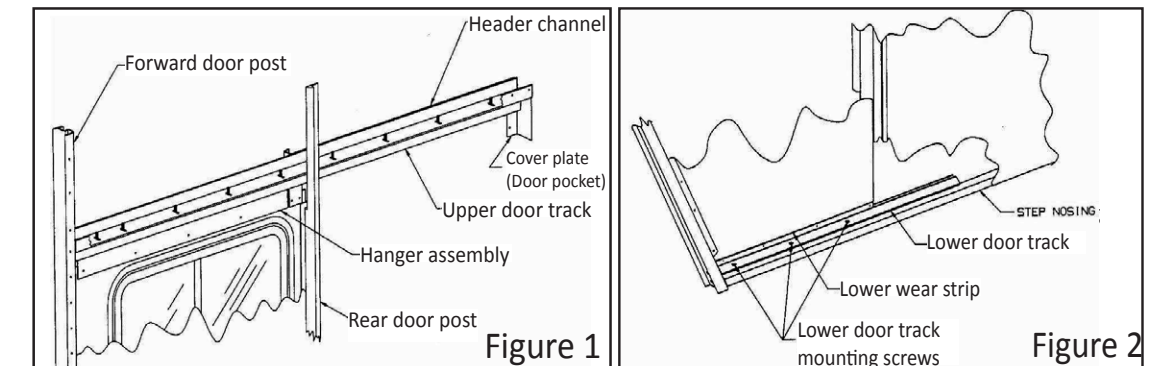
Fasteners - As truck ages, re-tighten fasteners as they loosen and replace any loose or missing rivets to prevent progressive damage.

Undercoating - Check all undercoated surfaces for coverage once a year. Re-undercoat as necessary.



SIDE DOOR ADJUSTMENT INSTRUCTIONS

1. Loosen all of the nuts on the studs that are on the upper door track (see figure 1) There are slots in the channel for adjustment purposes.
2. Remove all screws that fasten down the lower door track (see figure 2).
3. Remove the door pocket end cap if necessary, so that the upper door track can be adjusted easily (see figure 1)
4. Both upper and lower door tracks should then be adjusted inboard or outboard as required.
5. After sufficient clearance has been obtained, tighten a few bolts in the upper track. Clamp the lower track in place and open and close the door. Check for smooth operation, proper latching and adequate seal contact.
6. When the door is operating properly, tighten up all of the bolts in the upper door track, then re-drill the holes in the lower door track and install the fasteners.



DRAFT SUN VISOR

Cleaning Instructions

Use only a very soft damp cloth when cleaning acrylic visor blade. It is possible to scratch acrylic, so never use any scouring compounds or chemical cleaners such as Windex or other glass cleaners (even if they are environmentally friendly, organic or non-scented). When lowering or raising visor blade, hold with both hands on either side and lift or lower visor. Your vehicle is equipped with two visors on the windshield and one on the driver's side window. These tinted acrylic blades are protected by an adhesive liner on both sides which need to be peeled off. In case of damages to your visor, please order replacements based on part numbers indicated below:



Morgan Olson products are subject to on-line and final inspections during the manufacturing process to ensure conformance to specifications and a continued long service life.

If you have any questions concerning the operation and/or recommended maintenance procedures for your Morgan Olson truck body and/or its components, or if your Morgan Olson truck body is in need of repairs or parts, please contact your Morgan Olson Warranty Department at 1-800-262-3437.

NOTE: This vehicle has been certified to meet all applicable Federal Motor Vehicle Safety Standards (FMVSS) in effect at time of manufacture. It should be noted that the end user of this vehicle is responsible for ensuring that the vehicle, when operated, meets all applicable federal, state and local rules, regulations, and statutes, including those governing safety equipment, cargo storage and accessories. These rules, regulations and statutes should be reviewed carefully to assure compliance and it is the responsibility of the vehicle's owner to maintain the vehicle to assure continued compliance.

NOTE: Standard maintenance is not covered under Morgan Olson's warranty.

INSPECTION AND MAINTENANCE

A regular maintenance program should be established to check the vehicle to determine if it meets original manufacturer's specifications and quality requirements and to ensure it is kept in good repair and safe operating condition. Failure to do so may nullify the warranty and may result in an undesirable and/or unsafe/dangerous condition.

The "Important Vehicle Documents" package, which is provided with each Morgan Olson truck body, includes information regarding material manufactured by Morgan Olson and other manufacturers (i.e. overhead door, liftgates, etc.). It is imperative this information be reviewed and understood prior to operating this vehicle, and that this information remain with the truck body at all times.

Federal law prohibits the removal of serial number plates or certification decals from this vehicle.

Safety Check:

It is critical that all areas of this vehicle be checked before operating the vehicle, and at regular intervals, as indicated.

Unauthorized alteration of the unit may result in an undesirable and/or unsafe/dangerous condition and will nullify the warranty.

Improper maintenance, and/or repairs by unqualified personnel, can result in undesirable and/or unsafe/dangerous conditions and will nullify the warranty.

1. Decals/Warning Labels

All decals/warning labels must be replaced if torn, missing or not legible. To obtain replacement decals/warning labels, please contact Morgan Olson's Parts Department toll-free at **1-800-233-4823**.

2. Rear roll-up door:

The overhead door on this vehicle has been adjusted according to the door manufacturer's specifications. Future adjustments may be necessary. Lubricate counterbalance, hinges and lock mechanism with dry lubricant. DO NOT use grease. Tighten all fasteners and set screws. DO NOT operate vehicle with door in the open position as this will place additional load on door track and roller assemblies and could possibly void the warranty. Inspect pull-strap and cables DAILY for wear and frayed condition; replace as necessary. Refer to manufacturer's maintenance decal located on the inside of the door. Use the vehicle's grab handle(s) when entering or exiting the vehicle. DO NOT use the pull strap as an aid when entering or exiting the vehicle. **WARNING:** DO NOT use the overhead door if it becomes difficult to operate. The door spring is under extreme tension. Repairs to the spring are dangerous and must be performed ONLY by qualified service personnel following door manufacturer's recommended procedures.

For more information and details regarding maintenance and operation of this vehicle's overhead door, please reference the overhead door manufacturer's Owner's Manual. Please provide make, model and serial number of door when ordering replacement parts for overhead (roll-up) door.

3. Liftgate: (if equipped)

IMPORTANT: Review and understand Liftgate Manufacturer's Owners / Instruction Manual before operating liftgate. Do not allow the liftgate to be operated by persons not familiar with its operation. Liftgate decals, user instructions and warning labels must be replaced if worn, missing or not legible. To obtain replacement decals, please contact Morgan Olson's Parts Department toll-free at 1-800-233-4823. Liftgate should not be operated if it does not perform as specified in the liftgate manufacturer's operational manual.

Warning: Liftgate is NOT a passenger lift. To avoid the potential for serious injury, passenger should not ride on the lift gate.

DO NOT use liftgate for anything other than its intended use.

Failure to regularly, and/or systematically check the liftgate to determine if it meets original manufacturer's specifications and quality can result in a liftgate which does not meet the required safety standards. This could also be an undesirable and/or unsafe / dangerous conditions which may nullify the warranty.

For more information and details regarding maintenance and operation of this vehicle's liftgate, please reference the liftgate manufacturer's Owner's / Maintenance Manual. Please provide make, model and serial number of liftgate when ordering replacement parts.

If you have any questions concerning the operation of this vehicle, or the recommended maintenance procedures for this vehicle, please contact:



Morgan Olson
Warranty Department
1801 S. Nottawa Rd. Sturgis, MI 49091
1-800-262-3437
Morgan Olson Parts Department
1-800-233-4823
www.morganolsonparts.com

The logo for Morgan Olson, featuring the word "MORGAN" in red and "OLSON" in blue, with a white star on a blue background to the left of "OLSON".



MAINTENANCE GUIDE

FOR THE ROUTE STAR WALK-IN VAN BODIES

DRAFT

For maintenance and other instructions regarding other manufacturers' components (i.e. rear doors, lift gate), see enclosed vendor supplied materials or contact the manufacturer's for their recommended procedures.