

ALSCO[®] UNIFORMS

Parts Catalog
JV004460



2023 Morgan Olson Body

2023 Freightliner MT45 Chassis

DRAFT



Published 11.2023
www.morganolsonparts.com



TABLE OF CONTENTS	2
INTRODUCTION	3
CAB & ENGINE BOX	4-5
WINDSHIELD FRAME & GLASS	6
STEPS	7
HEATER	8-9
HOOD	10-11
INSTRUMENT PANEL	12
SEATS	13
FLOOR	14
ROOF	15
DRIVER SIDE WINDOW FILLERS	16
FLOOR OVERLAYS	17
SIDES	18-19
SIDE DOOR	20
SIDE DOOR POCKET	21
BACK	22
BULKHEAD	23
REAR DOOR	24-27
CARGO CONTROL (SHELVING & PIPE HANGER)	28-29
BUMPERS	30
WIPER ASSEMBLY	31
MIRRORS	32-33
MISCELLANEOUS	34
REAR SONAR & 360 CAMERA	35
ELECTRICAL	36
WIRING HARNESS	37
WIRING DIAGRAMS	38-66
WALK IN VAN COMMON FASTENERS	67-71

This parts guide contains illustrations and part numbers for Morgan Olson C-250 Package Delivery Vehicles and applies to bill of material JV003609.

How to order parts from Morgan Olson.

The first step is to locate the part numbers you would like to order.

Method 1 (Recommended)

Go to our parts web site, WWW.MORGANOLSONPARTS.COM and search your vehicle VIN number to get a list of parts generated directly from your vehicles Bill of Material.

You can filter the list of items further by selecting the category for the location of the parts. IE. Bumper, Hood, Glass, Rear Door, etc.

You may change the search drop down menu to search by part number, description, unit number or VMRS number.

Method 2

Use this parts catalog to identify your part numbers.

Then go to WWW.MORGANOLSONPARTS.COM and search by part number to get pricing availability, add the items to your shopping cart.

Method 3

Call our Parts Department at 1-800-233-4823.

Please have your VIN number available and one of our customer service representatives will be able to help you identify the parts you need.

*If you already know the part numbers for the items you want to order, use our Quick Order page to enter your part numbers and quantities, then click add to cart. [HTTPS://WWW.MORGANOLSONPARTS.COM/QUICK-ORDER](https://www.morganolsonparts.com/quick-order)

Contact Information:

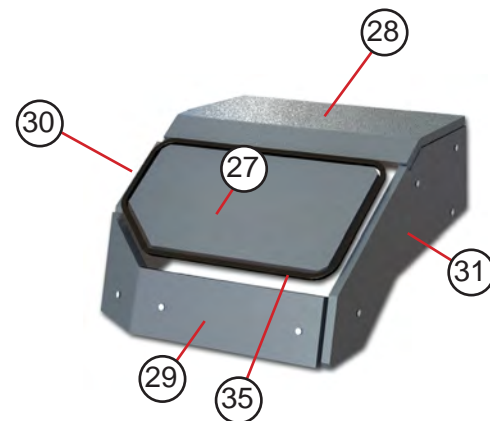
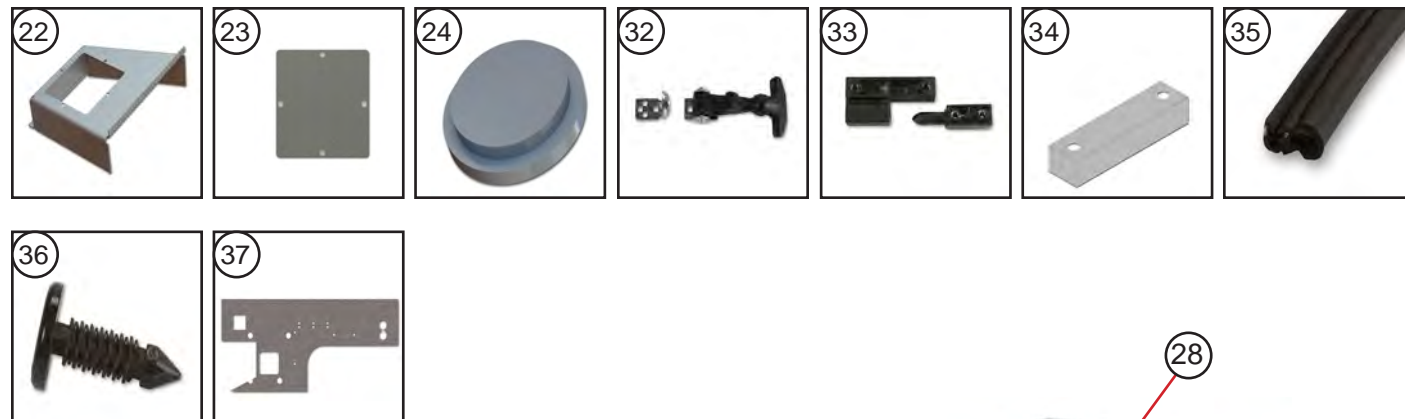
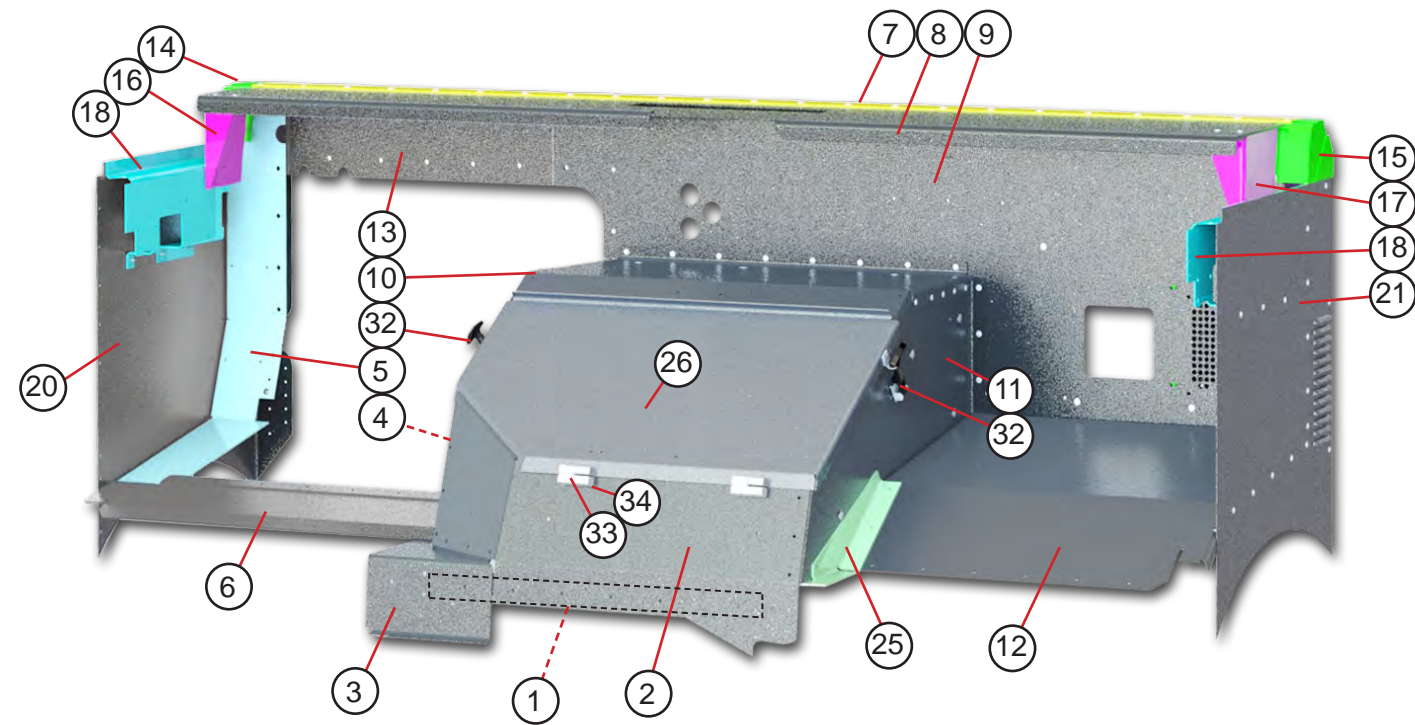
1801 South Nottawa Street Sturgis, Michigan 49091

<p>OEM Parts Support:</p> <p>1 (800) 233-4823 www.morganolsonparts.com</p>	<p>Warranty Department:</p> <p>800-262-3437 www.morganolson.com/after-sale-care/</p>	<p>F150 Owner's Manual:</p> <p>Enter your vehicle details to view www.ford.com/support/owner-manuals/</p>
---	---	---

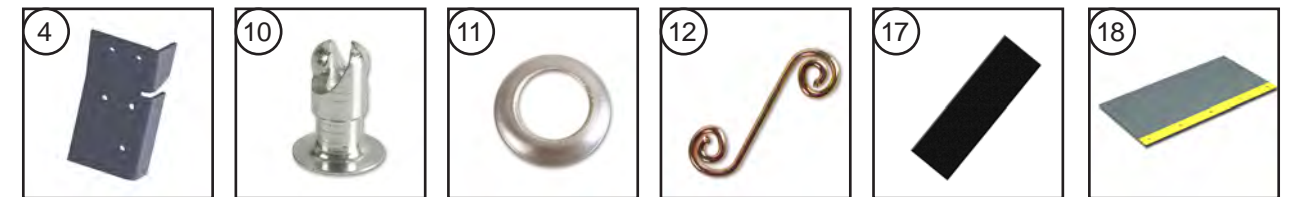
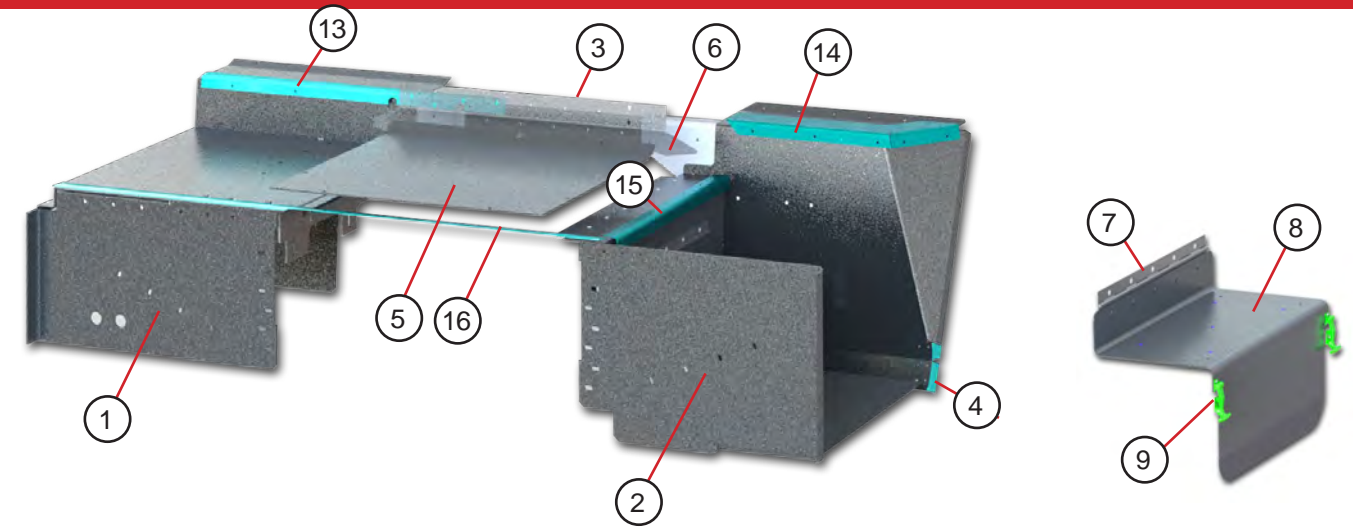
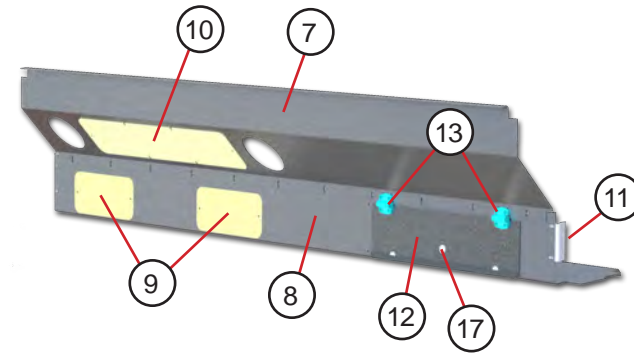
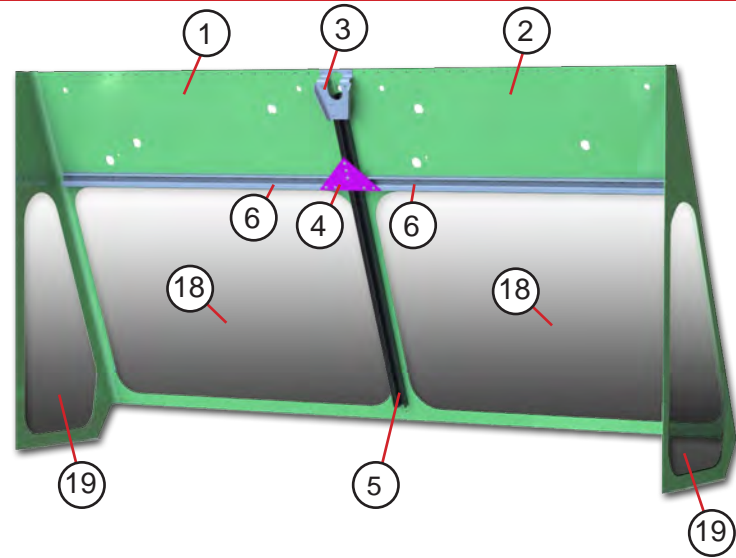
DISCLAIMER: The information contained in this publication was correct at the time of going to print. In the interest of continuous development, we reserve the right to change specifications, design, or equipment at any time without notice or obligation.

This manual is a supplement to the original equipment Ford F150 owner's manual. Information contained in this manual supersedes all applicable text in the F150 owner's manual.

PART# 49013901 ODE OPER C250 MORG/OLS

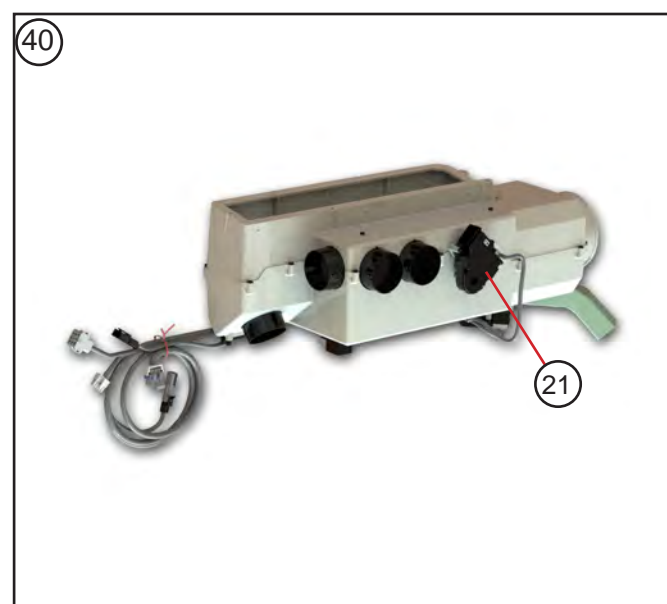
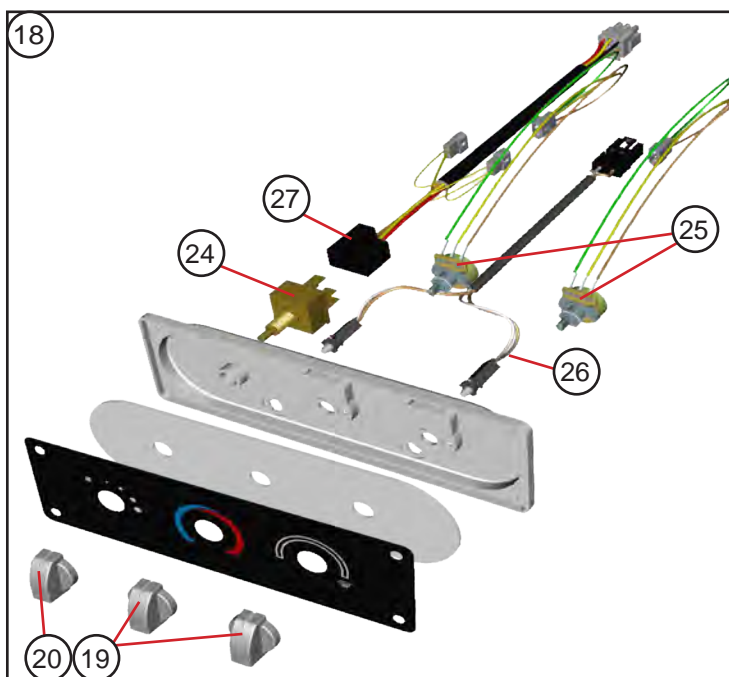
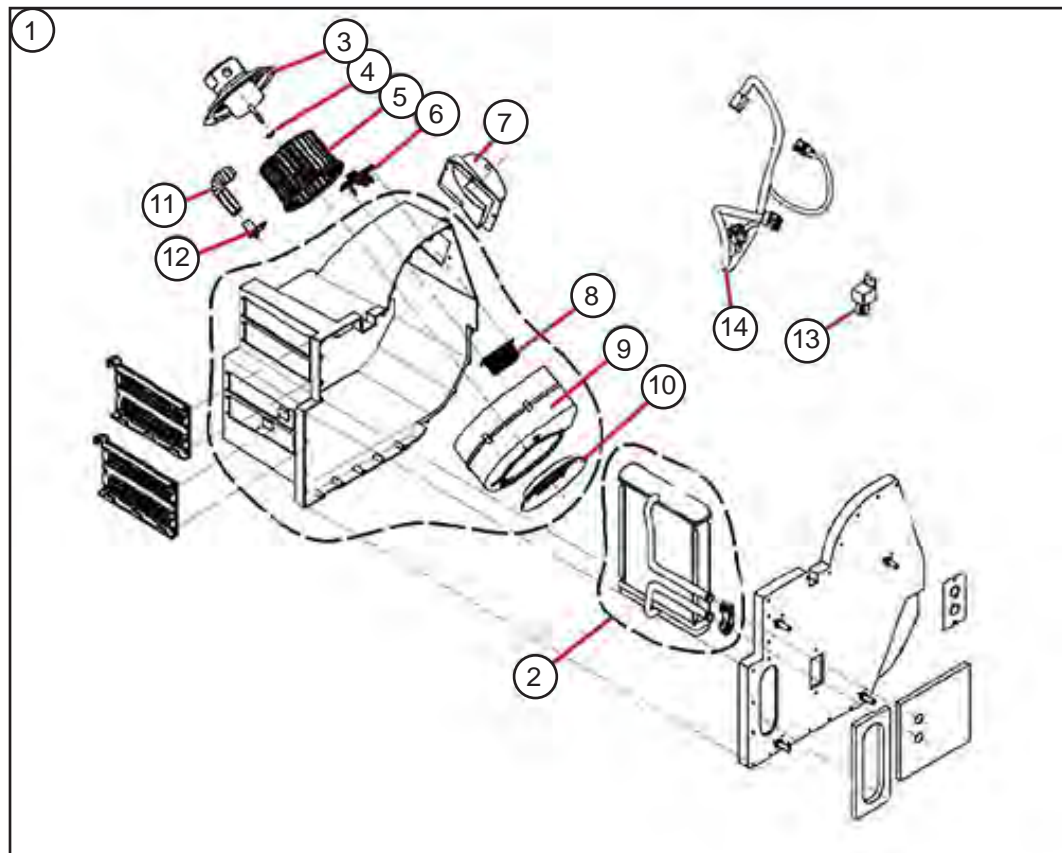


Item #	Part #	Description	Qty	Unit
1	077050402	Shim AL .25X1.63X20.8	1	EA
2	190005400	Engine Box Saddle AL .125X20.41X33.26	1	EA
3	187005416	Filler Saddle Lower AL .125X11X14.98	1	EA
4	190005401	Engine Box Side AL .102X19.64X30.51 LH	1	EA
5	188005402	Dash Toeboard AL .125X7.1X44.47 LH	1	EA
6	188005401	Toeboard 93W AL .125X8.48X32.59 LH	1	EA
7	083023402	Rail Windshield 93W AL 851100X89	1	EA
8	217005432	Dash Shelf 93W AL .125X13.73X89	1	EA
9	217005442	Dash Wall Heater AL .125X25.89X63.86	1	EA
10	217005431	Engine Box Top AL .125X15.86X33.58	1	EA
11	190005403	Engine Box Housing AL .102X22.53X32.55 RH	1	EA
12	188005422	Dash Panel AL .102X28X29.44 RH	1	EA
13	187005413	Dash Wall AL .125X8.73X27.29 LH	1	EA
14	8502000	Corner Casting AL W/S LH	1	EA
15	8502001	Corner Casting AL W/S RH	1	EA
16	177005411	Support Rail W/S AL .102X8.26X9.65 LH	1	EA
17	177005412	Support Rail W/S AL .102X8.26X9.65 RH	1	EA
18	217005420	Stiffener W/S AL .125X12.62X17.81 LH	1	EA
19	217005421	Stiffener W/S AL .125X12.62X17.81 RH	1	EA
20	188005411	Cab Skirt AL .07X27.42X30.57 LH	1	EA
21	188005407	Cab Skirt AL .07X27.28X30.57 RH	1	EA
22	217005433	Bracket Fresh Air Intake AL .102X15.06X19.64	1	EA
23	217005437	Cover Plate - Fresh Air Intake AL .102X6.88X7.63	1	EA
24	46001404	Hole Plug - Dash Wall 1.625"	1	EA
25	077050406	Gusset Toeboard AL .125X5.23X14.88 RH	1	EA
26	190028400	Lid Engine Box AL .102X19.33X34.47	1	EA
27	188028404	Insulation Engine Box Lid 13.88X27.63	1	EA
28	188028405	Insulation Engine Box Top 13.89X32.42	1	EA
29	188028406	Insulation Engine Box Front 12.23X31.3	1	EA
30	188028407	Insulation Engine Box Side 17.38X25.3 LH	1	EA
31	188028408	Insulation Engine Box Side 17.54X29.8 RH	1	EA
32	1113336	Latch Engine Box	2	EA
33	47007859	Hinge Offset	2	EA
34	117028400	Shim - Hinge	2	EA
35	1107270	Seal Trim - Quick Edge	8	FT
36	47006630	Clip Plastic - Round Head 1.32-1.34	12	EA
37	217116400	Insulation - Dash Wall	1	EA

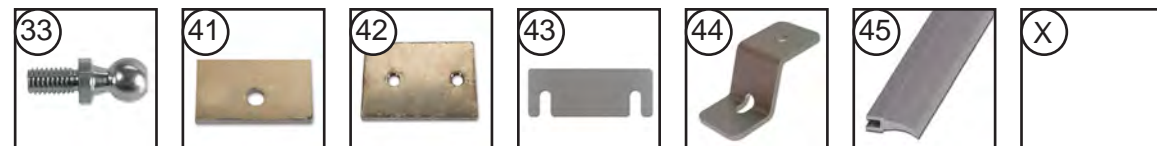
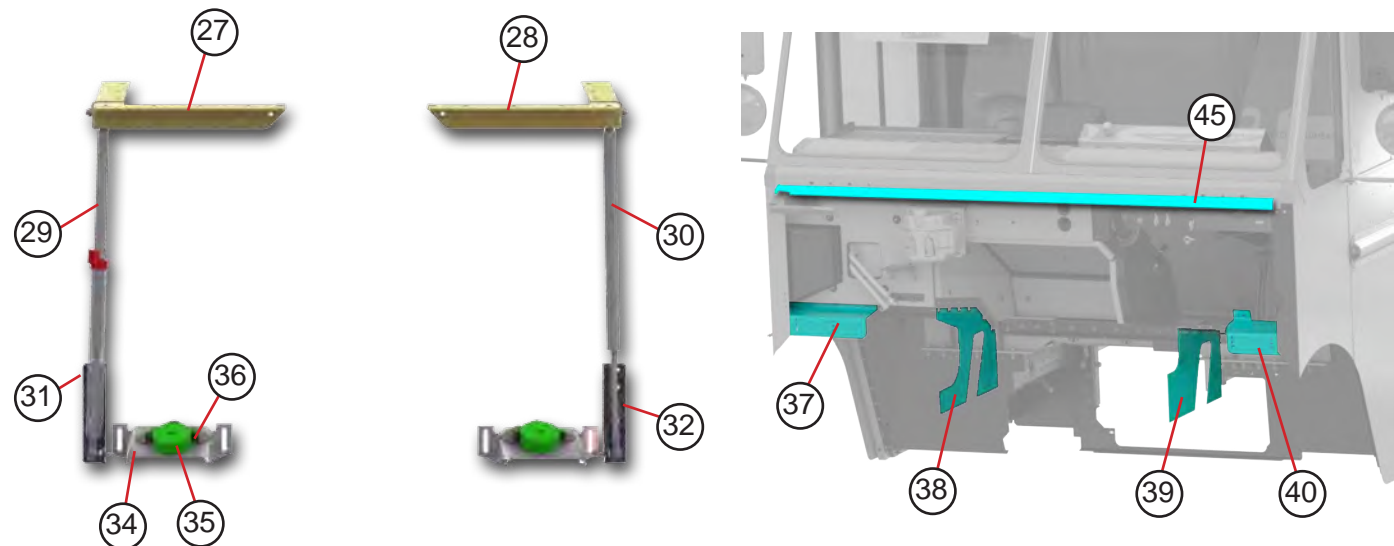
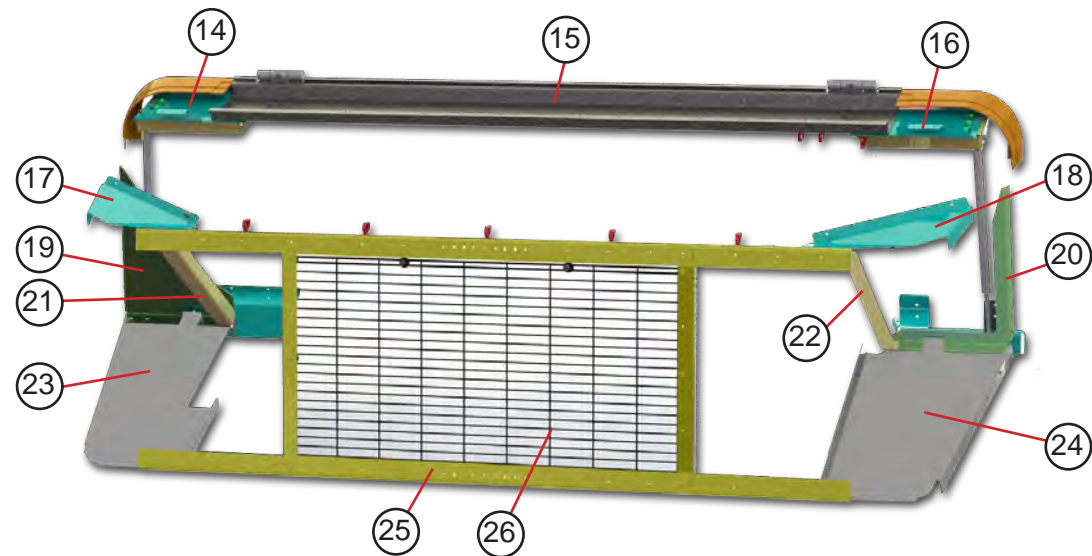
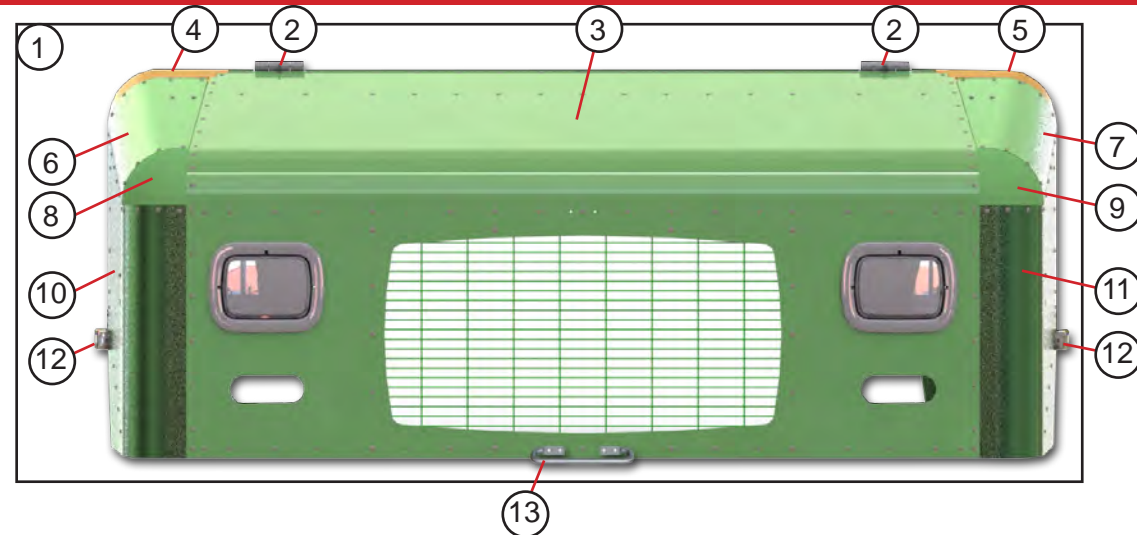


Item #	Part #	Description	Qty	Unit
1	227055400	Frame Windshield AL .102X53.45X69.93 LH	1	EA
2	227055401	Frame Windshield AL .102X53.45X70.25 RH	1	EA
3	077055402	Gusset Frame W/S AL .125X6.49X7.27	1	EA
4	998555329	Gusset Frame W/S AL .125X4.6X9.19	1	EA
5	077055401	Post W/S Center AL 450540X44	1	EA
6	077055404	Stiffener W/S AL 450540X44.25	2	EA
7	088076438	Cover - Wiper Motor Upper AL .102X14.85X87.25	1	EA
8	237076400	Shelf - Wiper Motor Lower AL .102X16.75X90.31	1	EA
9	088076431	Plate Cover - Wiper Motor AL .102X5X12	2	EA
10	097076435	Plate Cover - Accessory AL .07X6X28.38	1	EA
11	088076449	Bracket Mounting AL .102X2.36X3.9 LH	2	EA
12	103076400	Cover - Compartment Door AL .102X5.81X23	1	EA
13	47007888	Hinge	2	EA
14	1107102	Rubber Bumper	2	EA
15	237076401	Divider - Wiper Shelf AL .102X9.76X9.89	1	EA
16	46023506	Hole Plug - Rocker Switch Black @ Shelf Divider	1	EA
17	47001500	Lock Cylinder W/2 Keys	1	EA
18	96756400	Glass - Windshield	2	EA
19	006756400	Glass - Side Window	2	EA
20	44004303	Weather Strip - Windshield X147"	2	EA
21	44004309	Weather Strip - Side Window X86.25"	2	EA

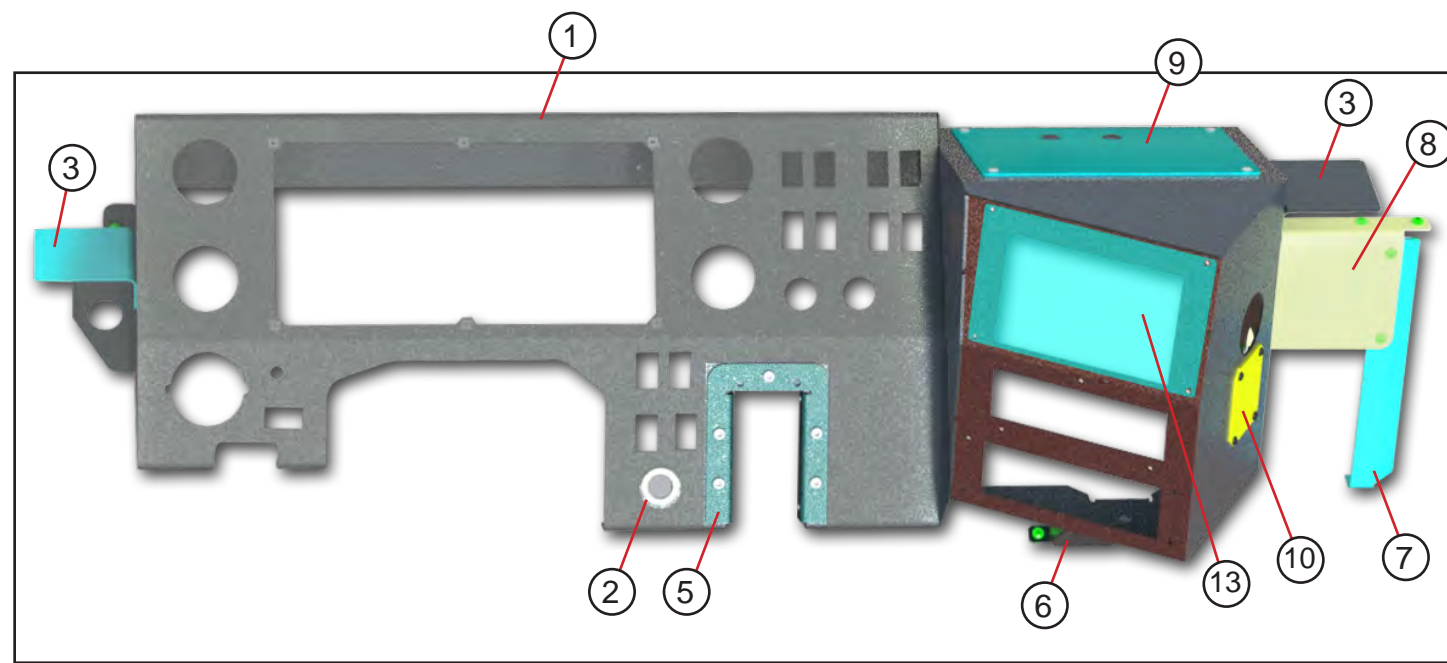
Item #	Part #	Description	Qty	Unit
1	208024233	Step Assembly LH 93W	1	EA
2	208024210	Step Assembly RH 93W	1	EA
3	077240400	Cross Member Center AL 456106X41	1	EA
4	107024415	Plate Filler AL .125X4.03X4.87 RH	1	EA
5	207024202	Transverse Floor Assembly (Welded)	1	EA
6	208024412	Angle - Floor Trim AL .102X6.49X38.7	1	EA
7	187024401	Hinge AL .075X1.12X1.75X20	1	EA
8	167024405	Lid Battery AL .125X22.25X23.9	1	EA
9	1113334	Latch - Steps	2	EA
10	40900080	Stud	8	EA
11	40900081	Grommet Half	8	EA
12	40900082	Spring	10	EA
13	103019402	Trim Toeboard ALD .08X2.64X37.76 LH	1	EA
14	208019501	Trim Toeboard ALD .08X7.66X24.63 RH	1	EA
15	090019403	Trim Step ALD .08X2.69X26.5 RH	1	EA
16	200019400	Trim Mat @ O/Line ALD .08X2.32X63	1	EA
17	42002055	Insulation Sound Absorbing Floormat 60X95	1	EA
18	45400807	Plate Step Fiberglass .125X9.72X19.75	1	EA
18	45400813	Plate Step Fiberglass .125X8.5X24.1	1	EA
NS	96724608	Pad Dampening Vinyl 452000X9X20	1	EA



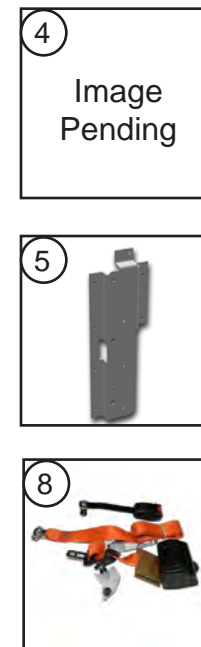
ITEM #	PART #	DESCRIPTION	QTY	UNIT
1	555001018	Heater Assembly	1	EA
2	47008797	Heater Coil W/ Gasket	1	EA
3	46032339	Blower Motor	1	EA
4	47008799	Clip - Retainer	1	EA
5	47008769	Blower Wheel	1	EA
6	47008357	Resistor	1	EA
7	47008800	Hose Adaptor	1	EA
8	47008795	Resistor Cage	1	EA
9	47008794	Blower Housing	1	EA
10	47008796	Venturi Ring	1	EA
11	47008730	Vent Tube	1	EA
12	47008731	Vent Tube Adapter	1	EA
13	47008716	Relay 12V	1	EA
14	47008758	Harness - Heater	1	EA
15	47008690	Formed Heater Hose 9.25"	2	EA
16	555002053	Water Valve	1	EA
17	215080400	Bracket - Water Valve	1	EA
18	555001413	Control Panel Assembly	1	EA
19	47008706	Knob	2	EA
20	47008735	Knob	1	EA
21	47008705	Actuator Motor	1	EA
24	46023202	Switch - Blower Motor	1	EA
25	47008710	Potentiometer Switch	2	EA
26	47008711	Harness Illumination W/Bulbs	1	EA
27	47008712	Harness Blower Motor Switch	1	EA
28	555001721	Defrost Duct - Curbside Metal	1	EA
29	555001722	Defrost Duct - Roadside Metal	1	EA
30	093080400	Hold Down Plate - Defroster Ducts	4	EA
31	555001523	Hose Defroster 2.5X16	1	EA
31	555001524	Hose Defroster 2.5x30	1	EA
31	555001525	Hose Defroster 2.5x38	3	EA
31	555001526	Hose Defroster 2.5x25	1	EA
32	217005438	Bracket - Fresh Air Intake	1	EA
33	217005439	Cover Plate - Fresh Air Intake	1	EA
34	555001715	Louver - Ball Type	6	EA
35	200027500	Bracket - Heater Vent	1	EA
36	555001533	Hose Blower - Heater / Defroster 7.5"	1	EA
37	47008016	Connector Straight .62ID	2	EA
38	090080401	Duct - Foot Dump	1	EA
39	005780402	Bracket - Foot Dump Mounting	1	EA
40	555001329	Plenum Duct HVAC	1	EA



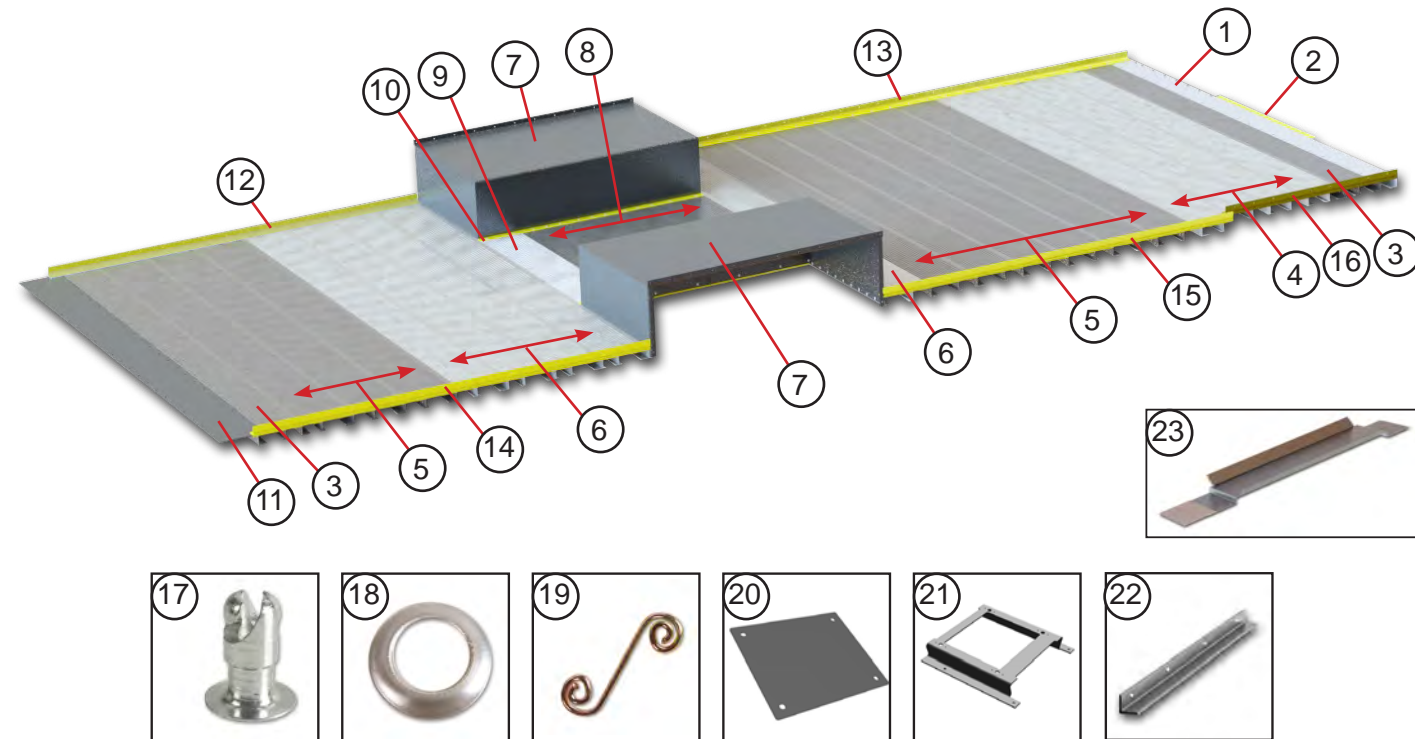
Item #	Part #	Description	Qty	Unit
1	227017000	Hood - Installation	1	EA
2	47007852	Hinge Assembly W/ Zerk Fitting	2	EA
3	167017401	Panel Hood 93W AL .07X53.36X72	1	EA
4	45100061	Cap Cowl End Aft AL Casting RH	1	EA
5	45100060	Cap Cowl End Aft AL Casting LH	1	EA
6	167017405	Cowl Hood AL .07X15.91X22.28 RH	1	EA
7	167017404	Cowl Hood AL .07X15.91X22.28 LH	1	EA
8	45100058	Corner Casting AL Knee Cowl Front RH	1	EA
9	45100057	Corner Casting AL Knee Cowl Front LH	1	EA
10	167017407	Skirt Hood AL .07X30.78X33.21 RH	1	EA
11	167017406	Skirt Hood AL .07X30.78X33.21 LH	1	EA
12	47000614	Latch Hood	2	EA
13	90187300	Grab Handle AL .5DIA X 9"	1	EA
14	167017415	Stiffener Hood AL .102X11.02X15 RH	1	EA
15	167017413	Stiffener Hood AL 450015X68.62	1	EA
16	167017414	Stiffener Hood AL .102X11.02X15 LH	1	EA
17	167017403	Gusset Corner AL .07X13.43X14.73 RH	1	EA
18	167017402	Gusset Corner AL .07X13.43X14.73 LH	1	EA
19	167017417	Splash Pan Support AL .102X13.08X16.84 RH	1	EA
20	167017416	Splash Pan Support AL .102X13.16X16.84 LH	1	EA
21	167017421	Strap - Splash Pan AL .125X2.98X25.76 RH	1	EA
22	167017420	Strap - Splash Pan AL .125X2.98X25.76 LH	1	EA
23	167017419	Splash Pan - Hood AL .102X18.02X26.95 RH	1	EA
24	167017418	Splash Pan - Hood AL .102X16.45X26.95 LH	1	EA
25	217017200	Support Assembly - Grill 93W F59/FCC (Welded)	1	EA
26	45700101	Grill Wire Mesh 20.5X38.81	1	EA
27	124016402	Bracket Gas Spring AL .125X3.6X16.49 RH	1	EA
28	124016401	Bracket Gas Spring AL .125X3.6X16.49 LH	1	EA
29	47006116	Gas Spring W/ Lock 150LB 28/16.5 IGS	1	EA
30	47006117	Gas Spring W/O Lock 150LB 28/16.5 IGS	1	EA
31	124016404	Bracket Hood Lower AL .188X2.9X6.4 RH	1	EA
32	124016403	Bracket Hood Lower AL .188X2.9X6.4 LH	1	EA
33	40900019	Ball Stud	4	EA
34	077150400	Support Hood Rest Steel 11GA X5.53X9.62	2	EA
35	44002004	Bumper Rubber	2	EA
36	96713300	Angle Hood Rest Steel 11GA X1.85X4.74	2	EA
37	077260404	Splash Pan AL .125X8.49X19.49 RH	1	EA
38	118026408	Splash Shield RH Vinyl	1	EA
39	118026407	Splash Shield LH Vinyl	1	EA
40	218026402	Splash Pan AL .125X11.27X16.32 LH	1	EA
41	96717312	Shim - Hood Hinge AL .055X.63X1.88	2	EA
42	91617304	Tap Plate - Hood Hinge AL .188X2X2.69	2	EA
43	237017402	Shim - Hood Hinge AL .125X1.75X4.63	2	EA
44	227017400	Bracket Reinforcement Steel 11GA X1.5X4.06	2	EA
45	44004002	Trim - Drip Edge	7.33	FT



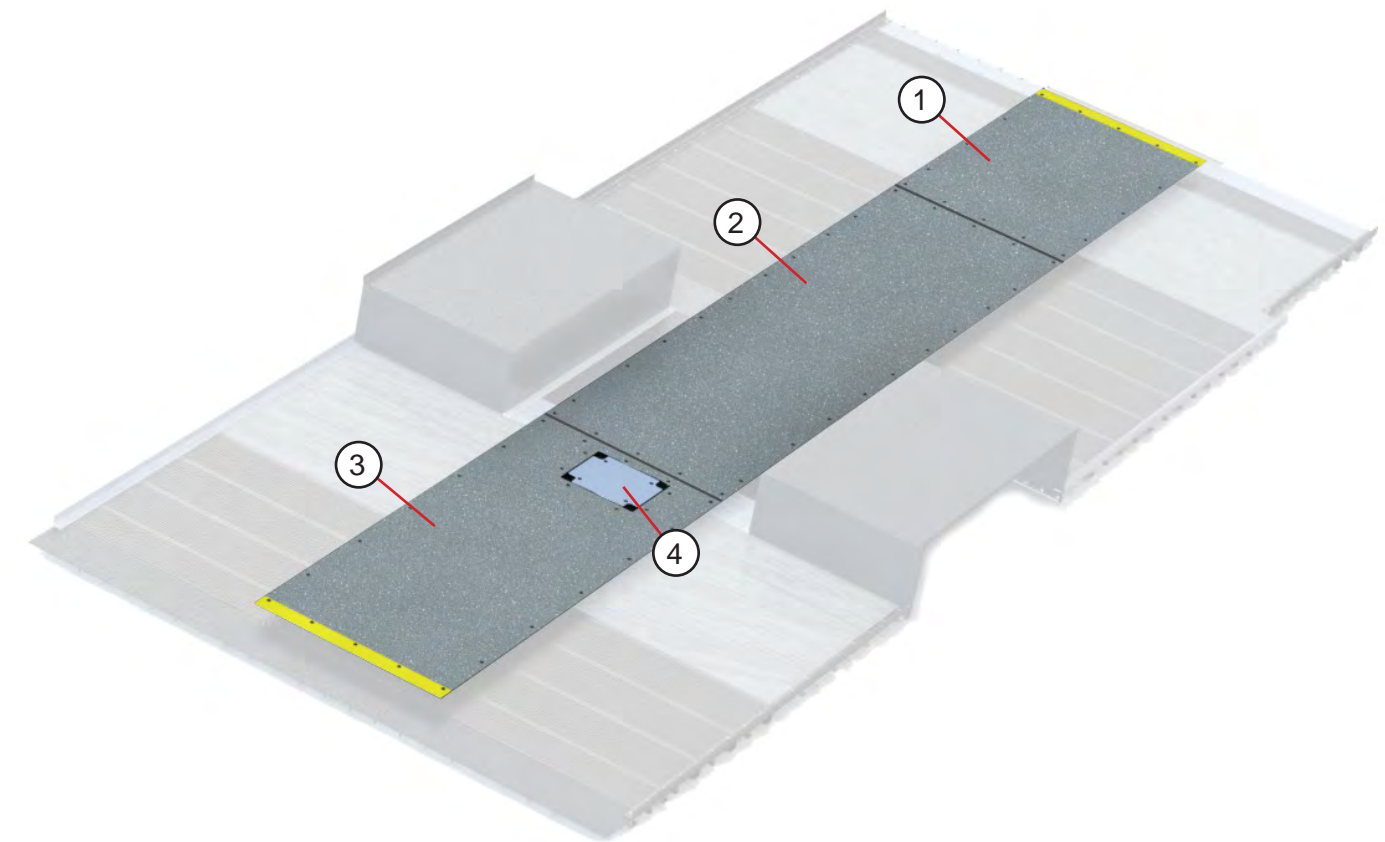
ITEM #	PART #	DESCRIPTION	QTY	UNIT
1	228027201	INSTRUMENT PANEL WELDMENT	1	EA
2	006327209	SPACER SWITCH IGNITION	1	EA
3	220027400	BRACKET MOUNTING TBLT	2	EA
4	40300919	FASTENER CHRISTMAS TREE	2	EA
5	002027423	BRACKET SHFTER STL 11GAX4.87X6.43	1	EA
6	215027409	BRACKET I/P AL .102X4.32X10.55	1	EA
7	118027414	BRACE AL .125X1.91X12.9	1	EA
8	114027403	BRACKET MOUNTING AL .125X6.49X8.51	1	EA
9	218027409	PLATE ACCESS COVER AL .102X9X11	1	EA
10	180027410	PLATE COVER HVAC AL .102X3X3.46	1	EA
11	1111520	HOLE PLUG	1	EA
12	46026432	POWER PORT USB 5V OUTPUT	1	EA
13	220024400	PLATE COVER I/P AL .07X5.74X9.6	1	EA
14	1111513	HOLE PLUG	1	EA
15	46026378	RECEPTICLE 12V POWER W/ TETHER SS BODY	1	EA



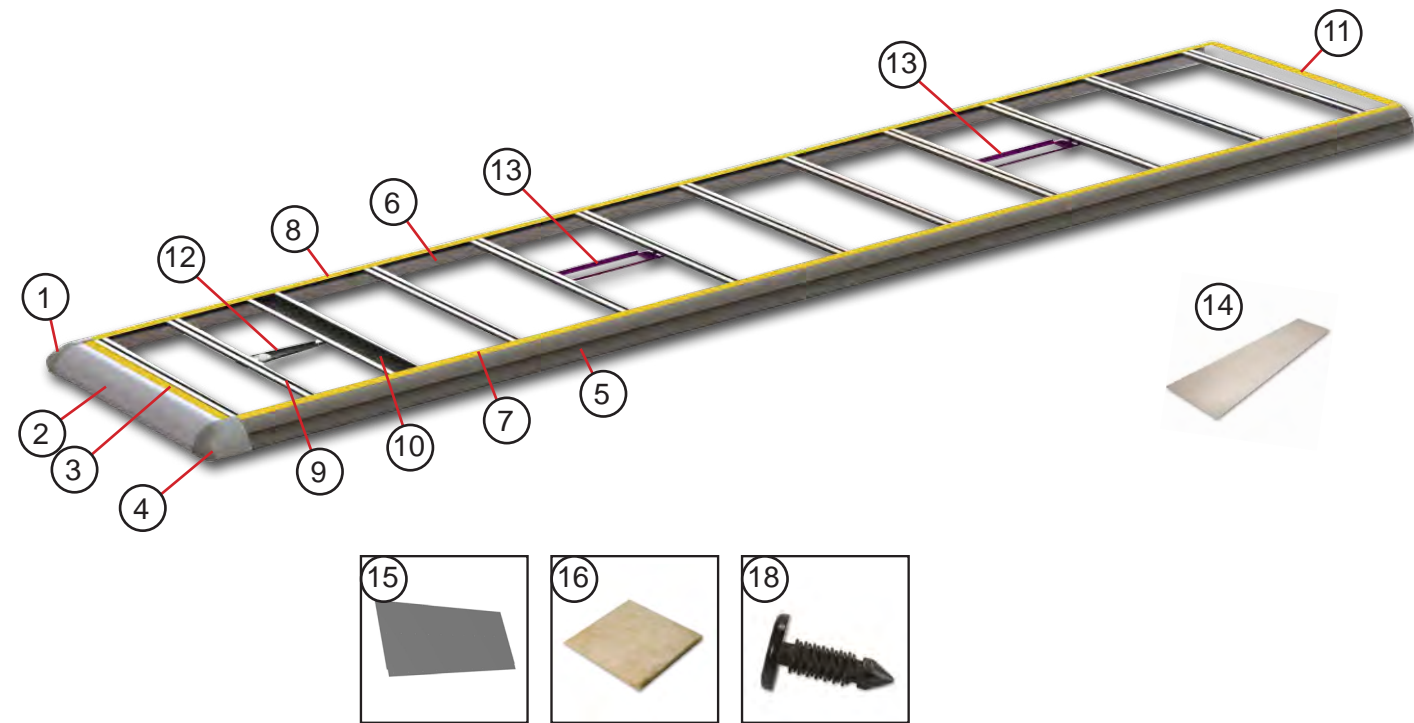
Item #	Part #	Description	Qty	Unit
1	47004655	Driver Seat Cloth Black	1	EA
2	47004332	Pedestal Seat Upper 3Point	1	EA
3	47012658	Seat Socket Assembly 3Point Non-Tilt	1	EA
4	47003199	Seat Belt 7IN Adjustable D-Loop Orange	1	EA
5	98M582030	Brace Support Steel 7GA X9.49X23.46	1	EA
6	47006002	Seat Head Back/Rest Contured Black Cloth	1	EA
7	47002701	Jump Seat Folding Black Cloth	1	EA
8	47004366	Seat Belt W/Boot 3Point Orange	1	EA
9	91614300	Angle Floor AL .188X2.84X19.1	1	EA
10	47009547	Safety Triangles Kit	1	EA
11	47009548	Bracket - Mounting Flare & Triangle Kit	1	EA



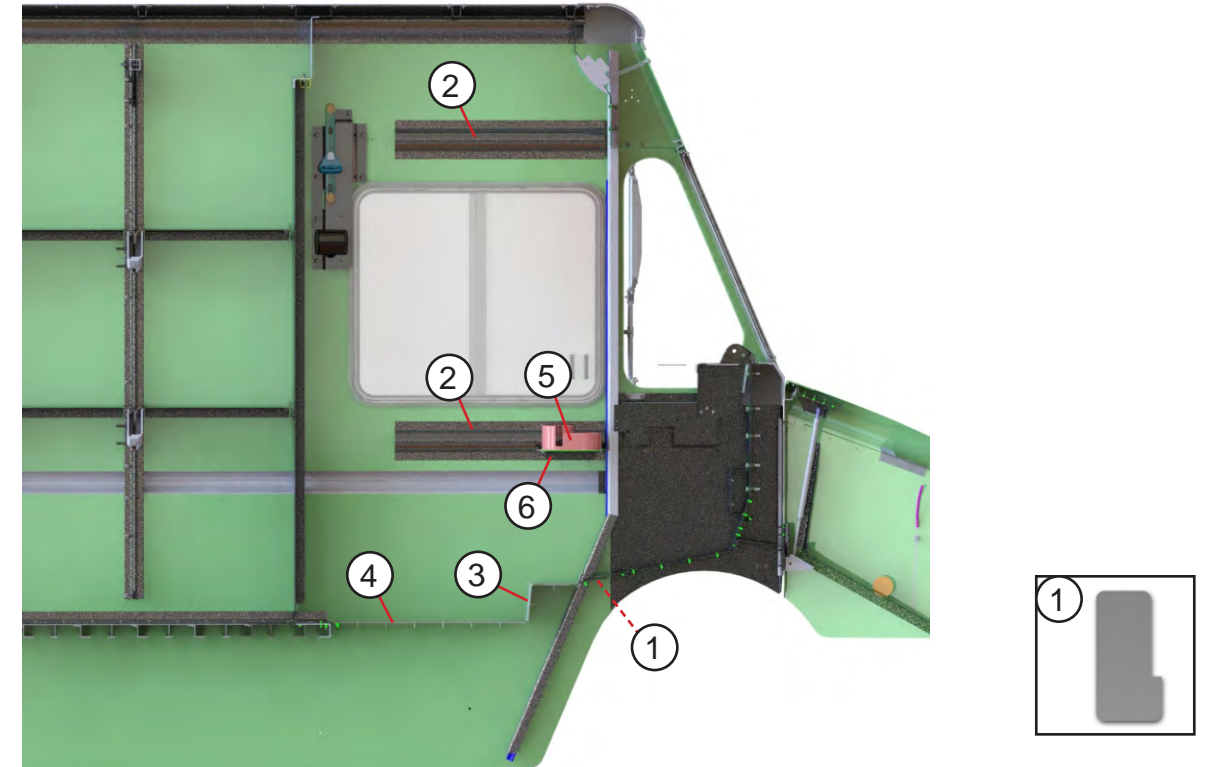
Item #	Part #	Description	Qty	Unit
1	083033509	Beam @ O-Line AL 450088X89.38	1	EA
2	001730412	Angle Step AL 450187X32	1	EA
3	45058303	Beam AL Floor Ribbed 7X92.25	2	EA
4	45058401	Beam AL Floor Ribbed M/FEM 8X92.25	4	EA
5	45058603	Beam AL Floor Ribbed 9X92.25	9	EA
6	45058701	Beam AL Floor Ribbed M/FEM 8.5X92.25	5	EA
7	95869202	Wheel Box Assembly 93W 10" DW AL .102 KBK	2	EA
8	45058611	Beam AL Floor Ribbed M-FEM 9X40.44	4	EA
9	45058502	Beam AL Floor Ribbed M-M 8X40.44	1	EA
10	95869302	Angle Wheel Box Attach AL 450018X44	2	EA
11	088033403	Plate Filler Rear AL .125X7.68X92.38	1	EA
12	215031510	Angle Floor/Side Attach AL 450303X70.18 RH	1	EA
13	228031400	Angle Floor/Side Attach AL 450303X106 LH	1	EA
14	215031509	Angle Floor/Side Attach AL 450303X70.18 LH	1	EA
15	215031506	Angle Floor/Side Attach AL 450303X69.75 RH	1	EA
16	215031500	Angle Floor/Side Attach AL 450303X36.25 RH	1	EA
17	40900080	Stud	4	EA
18	40900081	Grommet Half	4	EA
19	40900082	Spring	4	EA
20	108012400	Cover Plate Access Door AL .125X9.61X11.62	1	EA
21	128012409	Support Access Door AL .125X12.69X17.22	1	EA
22	150012400	Angle Support - Access Door AL 450185X29	2	EA
23	117032401	Heat Shield ADLTR AL .07X3.75X5.12	1	EA



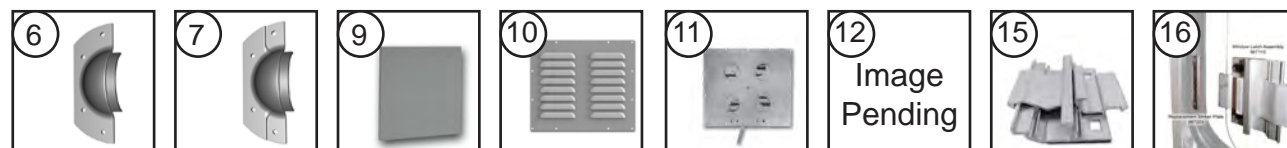
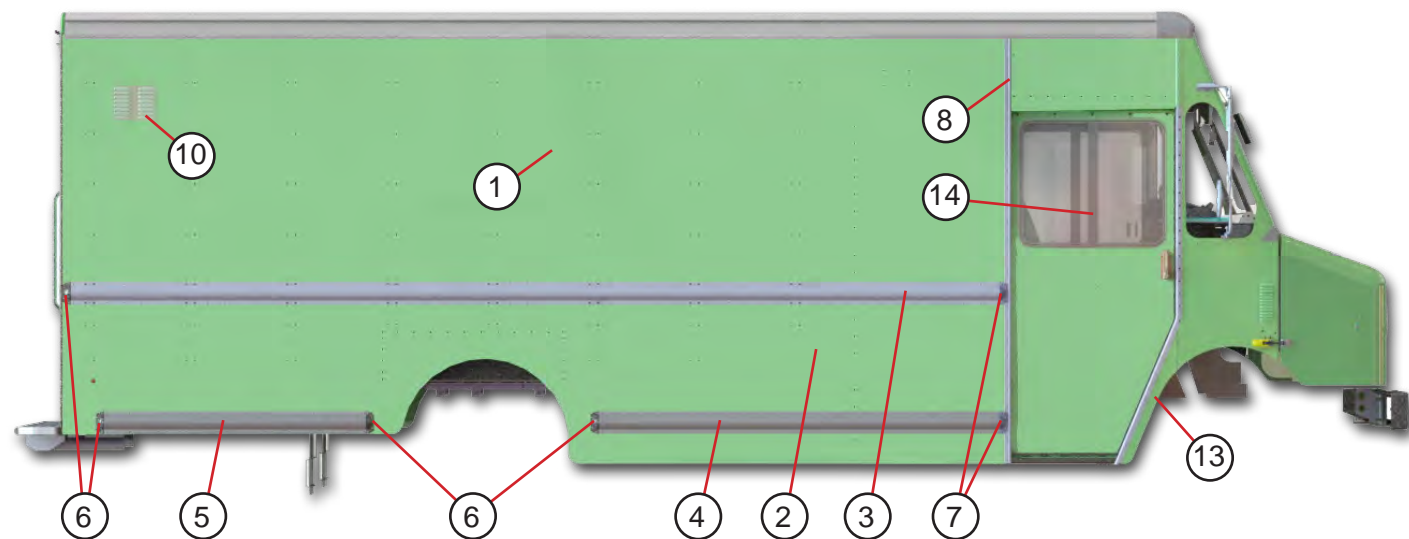
Item#	Part#	Description	Qty	Unit
1	230100401	Floor Overlay Forward Fiberglass .09X30X46	1	EA
2	230100402	Floor Overlay Center Fiberglass .09X30X98	1	EA
3	230100403	Floor Overlay Rear Fiberglass .09X30X70	1	EA
4	230100404	Floor Overlay Access Panel Fiberglass X.09X9.56X11.63	1	EA



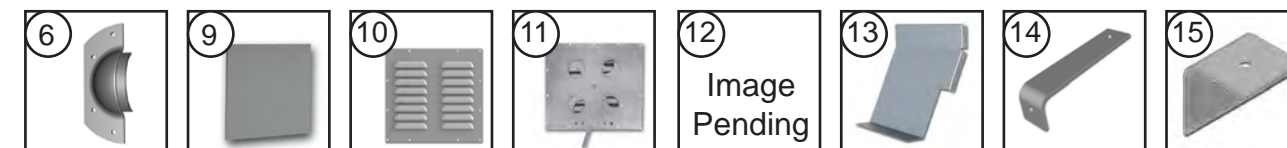
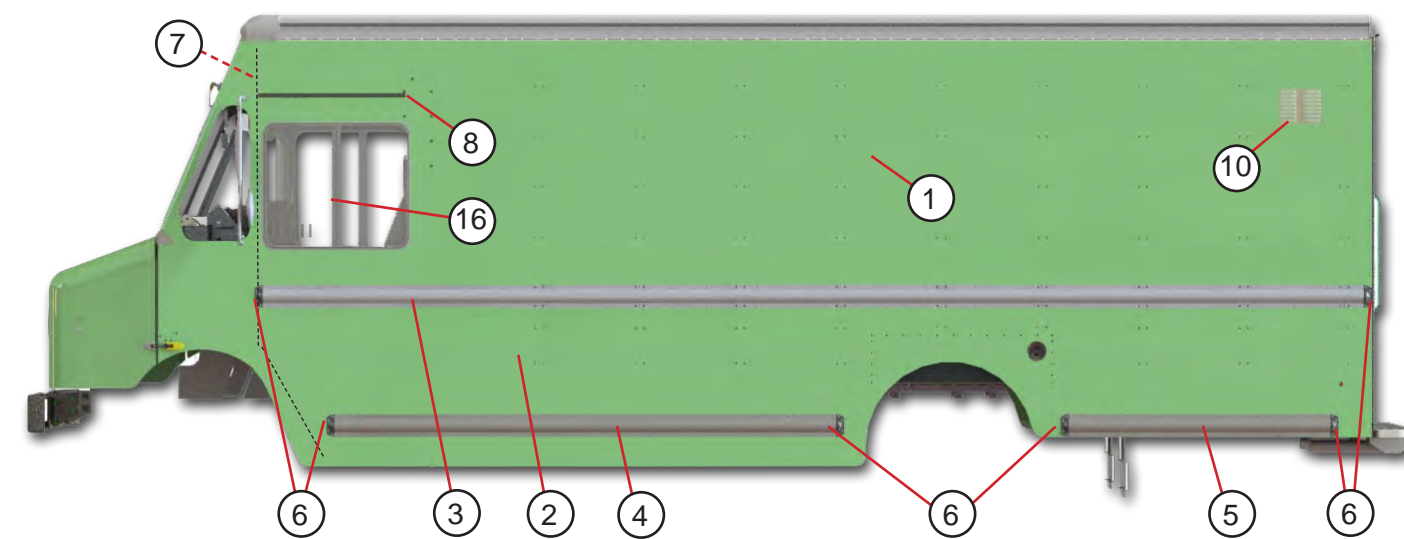
Item #	Part #	Description	Qty	Unit
1	077100401	Corner Casting AL Roof RH	1	EA
2	083010400	Nose 93W AL 456107X82.5	1	EA
3	89310506	Interlock Roof Nose AL 45014X81.75	1	EA
4	077100400	Corner Casting AL Roof LH	1	EA
5	098010413	Rail Roof 18' 456144X261.25 LH	1	EA
6	098010414	Rail Roof 18' 456144X261.25 RH	1	EA
7	088010516	Interlock Roof Rail AL 450140X261.25 LH	1	EA
8	088010517	Interlock Roof Rail AL 450140X261.25 RH	1	EA
9	45601603	Roof Bow Steel 16GA SEC456016 X89.12	11	EA
10	118010402	Roof Bow @ O-Line 14GA GLNX9.58X89.12	1	EA
11	89310507	Interlock Roof Rear AL 450140X79.13	1	EA
12	187092400	Bracket Dome Lamp Cab AL .102X7.5X20	1	EA
13	100092401	Bracket Dome Lamp Cargo AL .07X9.26X24.75	2	EA
14	45200851	Roof Skin Fiberglass .075X82.25XFT	21.98	FT
15	118011402	Roof Liner X37.13X86.75	1	EA
16	1109001	Insulation Fiberglass 1X48X200FT	7.25	FT
NS	100011400	Polyester Filler @ Liner 4200200 4X22.5	3	EA
18	47006610	Clip Plastic Flat head	33	EA



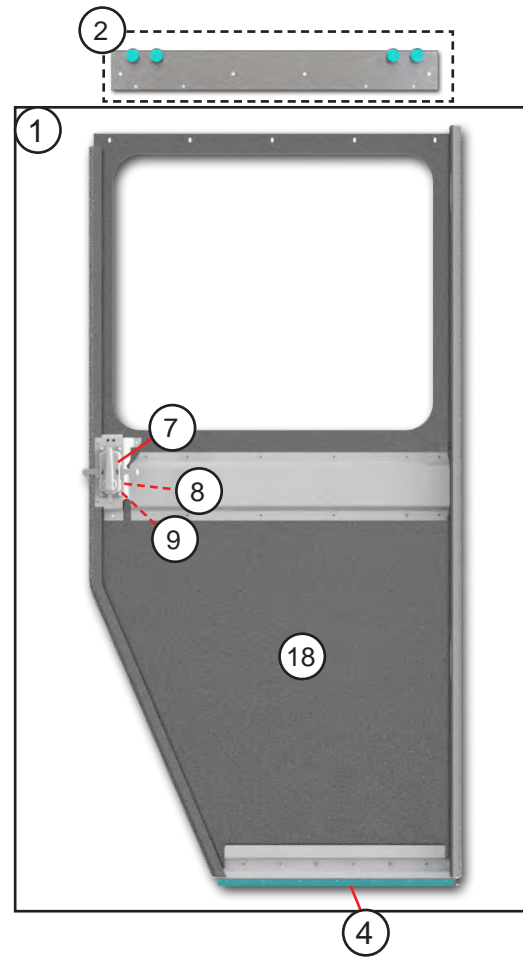
Item #	Part #	Description	Qty	Unit
1	198005401	Plate Filler A Post AL .07X2X4	1	EA
2	03M545058	Stiffener @ Sliding Window AL X29.5 DLH	2	EA
3	083005459	Plate Filler AL .07X5.83X13.63 DLH	1	EA
4	083005452	Plate Filler AL .07X4.08X27.58 DLH	1	EA
5	42007001	Cup Holder Plastic Black	1	EA
6	220140400	Bracket Mounting AL .102X6.86X10	1	EA



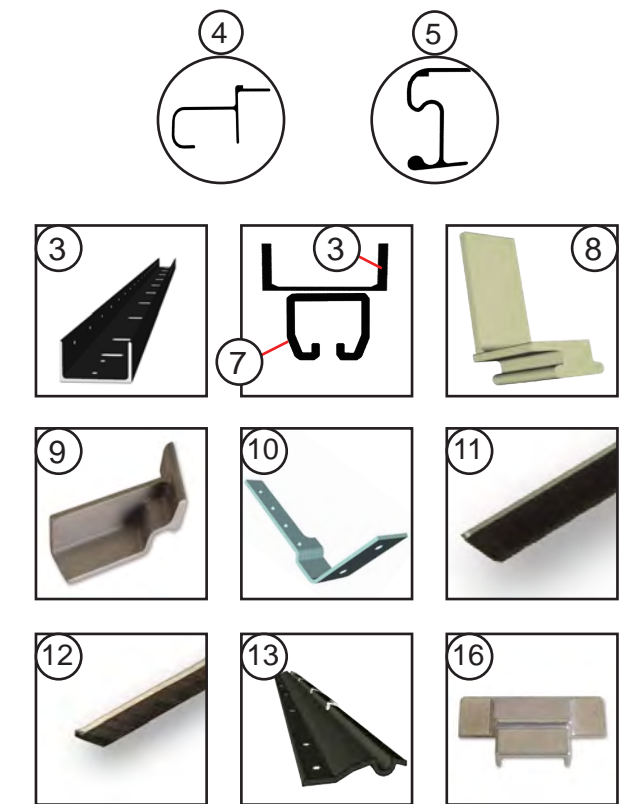
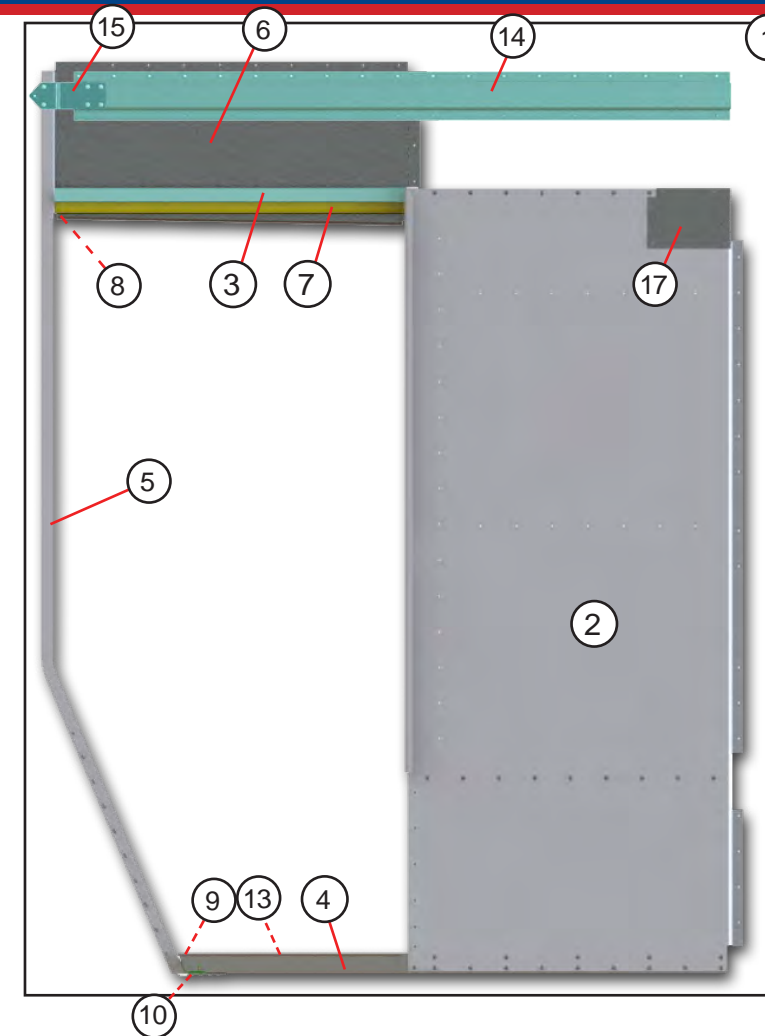
Item #	Part #	Description	Qty	Unit
1	238038411	Side Panel Upper AL .102X60X225.31 L/R	1	EA
2	238037435	Side Panel Lower AL .102X38.79X225.31 RH	1	EA
3	088039307	Rub Rail AL 450002X221	1	EA
4	148039443	Rub Rail Lower AL 450002X95.32	1	EA
5	148039433	Rub Rail Lower AL 450002X62.32	1	EA
6	1100799	End Cap Rear AL .125X2.37X5.5	4	EA
7	1100800	End Cap Forward AL .125X2.37X5.5	2	EA
8	107400401	B-Post AL 450274X101.12 RH	1	EA
9	7600165	Plate Filler AL .125X3.19X2.5	1	EA
10	47008555	Vent - Louvered	1	EA
11	1114124	Open/Close Baffle for Vent W/ Handle	1	EA
12	43000530	Label - Vent Open / Close	1	EA
13	157022401	Skirt Tail RH AL .07X15.58X33.82	1	EA
14	1334309001	Sliding Window RH	1	EA
15	967110	Replacement Latch/Handle - Sliding Window	1	EA
16	967203	Replacement Striker - Sliding Window	1	EA
NS	001744400	Strap - Reinforcement Floor to Side	3	EA



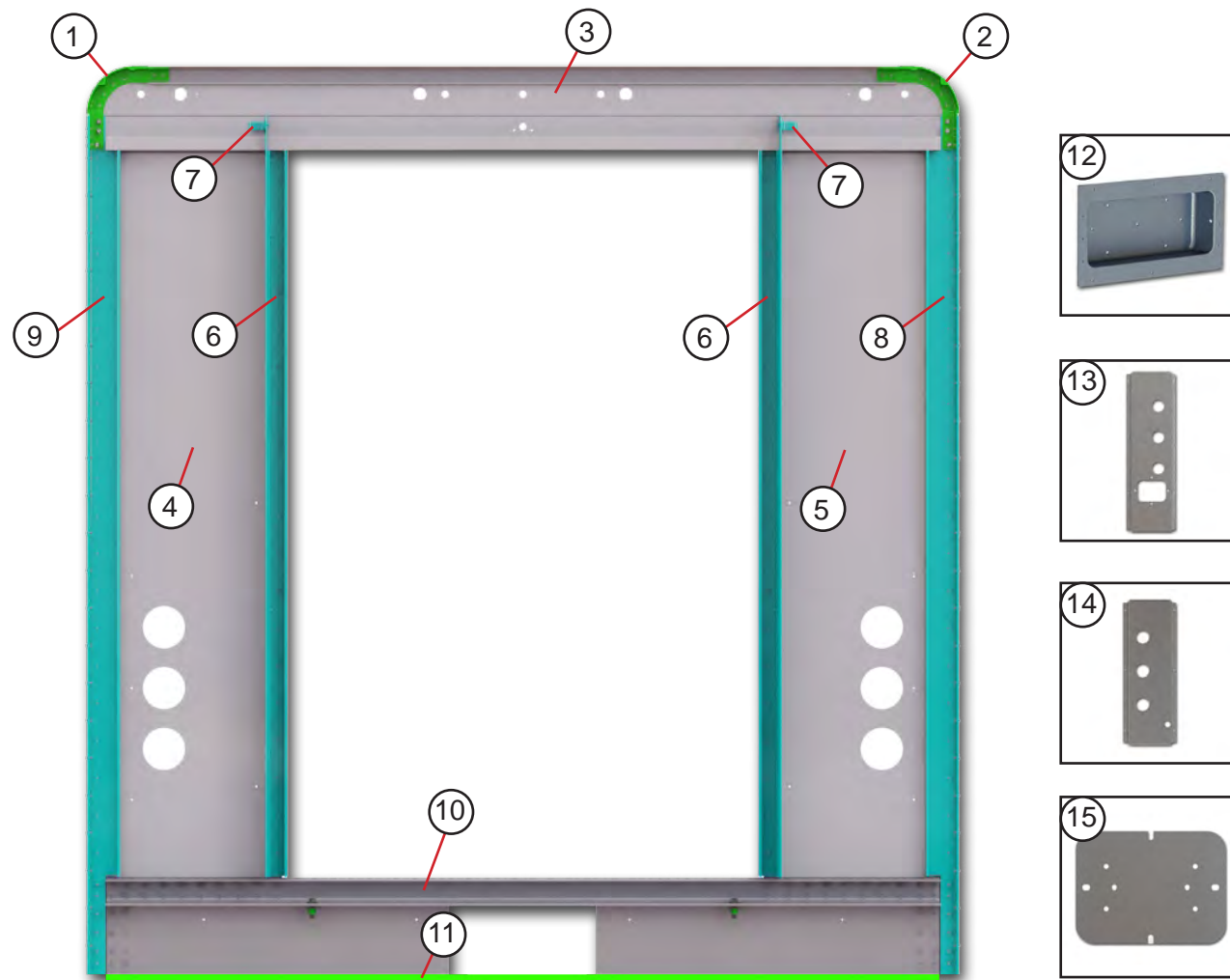
Item #	Part #	Description	Qty	Unit
1	238046402	Side Panel Upper AL .102X60X266.31 DLH	1	EA
2	238045409	Side Panel Lower AL .102X38.79X266.31 DLH	1	EA
3	088039329	Rub Rail AL 450002X262.31 DLH	1	EA
4	148039449	Rub Rail AL 450002X119.5 DLH	1	EA
5	148039433	Rub Rail Lower AL 450002X62.32	1	EA
6	1100799	End Cap Rear AL .125X2.37X5.5	6	EA
7	088044200	Door Post 85H DLH	1	EA
8	89367380	Drip Rail AL 450006X35.32	1	EA
9	7600165	Plate Filler AL .125X3.19X2.5	2	EA
10	47008555	Vent - Louvered	1	EA
11	1114124	Open/Close Baffle for Vent W/ Handle	1	EA
12	43000530	Label - Vent Open / Close	1	EA
13	218012402	Splash Pan Fuel Fill AL .07X25.34X26.38	1	EA
14	118012401	Support Splash Pan Fuel Fill AL .102X1X6.02	1	EA
15	82312025	Support Splash Pan Fuel Fill AL .07X1.5X2.96	1	EA
16	1334309002	Sliding Window LH	1	EA
NS	001744400	Strap - Reinforcement Floor to Side	3	EA



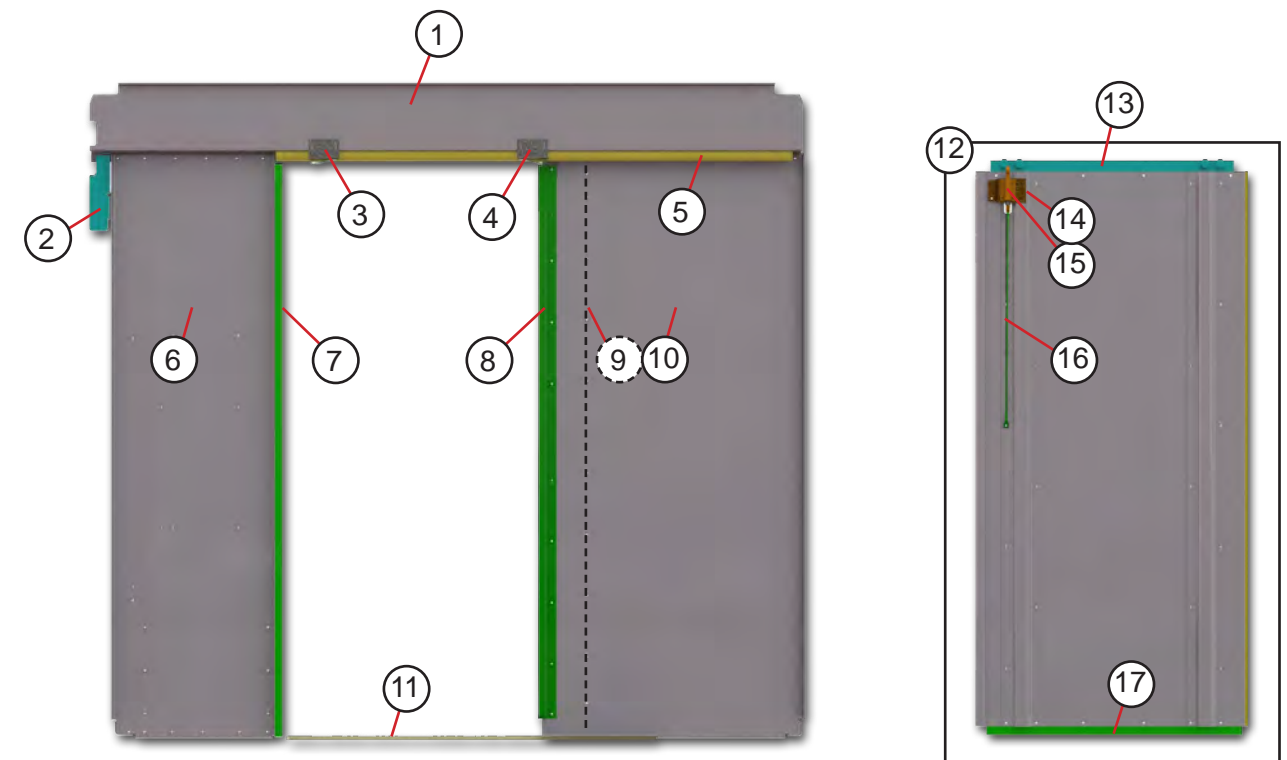
ITEM #	PART #	DESCRIPTION	QTY	UNIT
1	210060202	SIDE DOOR ASSEMBLY RH	1	EA
2	96760203	HANGER ASSEMBLY	1	EA
3	44008050	SEAL BRUSH TYPE B 1X83.9	1	EA
4	210060408	WEAR STRIP 450008X25.75	1	EA
5	45200206	SPACER ANTI RATTLE CLIP	4	EA
6	45300377	CLIP ANTI RATTLE AL .188X2X2.7	4	EA
7	1113016	LATCH MECHINISM INNER	2	EA
8	157060404	SPACER DOOR LATCH	2	EA
9	087181	KASON LOCK SPACER	1	EA
10	44004104	SEAL RUBBER FWD DR X89.25	2	EA
11	170060400	STRIKER BRONZE D/S RR	2	EA
12	45100094	BRACKET DOOR STRIKER	2	EA
13	198041400	BRACKET DOOR STRIKER REAR	2	EA
14	44002011	BUMPER RUBBER	2	EA
15	47000689	HANDLE SIDE BLACK	2	EA
16	47001181	REMOVABLE LOCK CYCLINDER	2	EA
17	13342990001	WINDOW SLIDING CURBSIDE RH	1	EA
18	45210009	PANEL DOOR INNER LOWER RH	1	EA



ITEM #	PART #	DESCRIPTION	QTY.	UNIT
1	077041215	DOOR POCKET ASSEMBLY 85H Y RH W/VT	1	EA
2	210041401	PANEL DOOR POCKET AL .102X42.25X87.65 RH	1	EA
3	210041403	CHANNEL HEADER AL 450256X75 RH	1	EA
4	210041405	NOSE STEP AL 450247X61.29 RH	1	EA
5	157041401	DOOR POST AL 450294X102.43 RH	1	EA
6	177041403	PANEL HEADER AL .102X19.49X42.36 RH	1	EA
7	96741202	TRACK ASSEMBLY UPPER	1	EA
8	45100049	GUSSET HEADER CHANNEL TO DOOR POST	1	EA
9	45100105	DOOR POST CASTING LOWER	1	EA
10	001741408	REINFORCEMENT BRACKET AL .125X1.53X8.04 RH	1	EA
11	44004060	SEAL BRUSH TYPE C 1.5X82	1	EA
12	44008050	SEAL BRUSH TYPE B 1X83.9	1	EA
13	47002766	DOOR GUIDE NYLON	1	EA
14	083042401	STIFFENER HEADER AL450328X73.75 RH	1	EA
15	96742302	CLIP AL Z .102X3X9.57	1	EA
16	45100074	CAP RAIL END (OPTIONAL)	1	EA
17	96741355	COVER DOOR POCKET RH AL .055X6.75X12.16	1	EA



Item #	Part #	Description	Qty	Unit
1	45100010	Corner Casting Roof Rear RH	1	EA
2	45100009	Corner Casting Roof Rear LH	1	EA
3	230053400	Transom Rear AL 450266X91.62	1	EA
4	220053408	Panel Back AL .102X20.25X89.28 RH	1	EA
5	220053407	Panel Back AL .102X20.25X89.28 LH	1	EA
6	114130400	Corner Post AL 450359X77.5	2	EA
7	90650309	Angle Clip AL 450192X.88	2	EA
8	220053409	Channel Post Rear AL 450112X91.87 LH	1	EA
9	220053410	Channel Post Rear AL 450112X91.87 RH	1	EA
10	173053400	Sill Rear 93W AL 450024X89	1	EA
11	165135400	Filler Plate - Back AL .125X2.6X97.21	1	EA
12	140092400	License Plate Box	1	EA
13	217081400	Guard Lamp AL .07X14.07X35.81 LH	1	EA
14	217081401	Guard Lamp AL .07X14.07X32.94 RH	1	EA
15	197053403	Plate Access Cover Sonar AL .07X6X8	1	EA

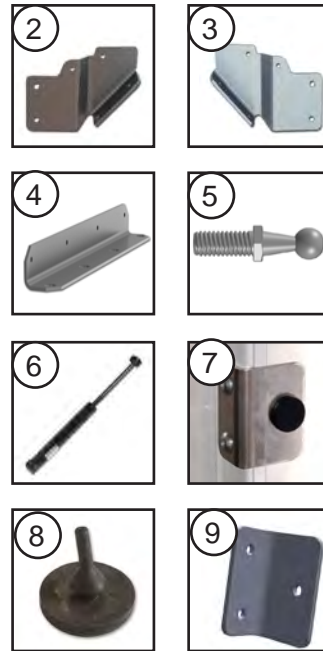
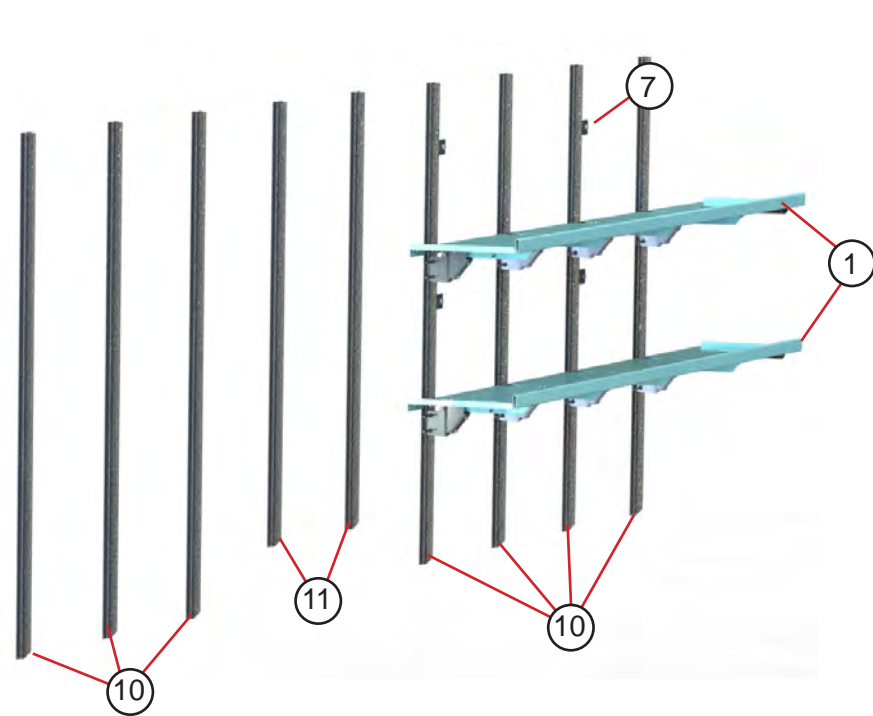


Item #	Part #	Description	Qty	Unit
1	108070409	Header Bulkhead Zee AL .102X12.9X92.4 DLH	1	EA
2	228070401	Plate - Bulkhead Filler AL .055X3.65X9.79 RH	1	EA
3	98770201	Striker Assembly Welded	1	EA
4	98770202	Striker Assembly Welded	1	EA
5	088070251	Door Track Assembly	1	EA
6	108070407	Panel Bulkhead AL .102X24.15X77.38 RH	1	EA
7	96770312	Jamb RH AL 450326X74.37	1	EA
8	088070435	Channel Door Jamb AL 450502X72.12 LH	1	A
9	002069406	Stiffener Zee AL 450043X72.12	1	EA
10	109070405	Panel Bulkhead AL .102X35.34X77.17 DLH	1	EA
11	96770316	Door Guide - Floor AL 450414X47.88	1	EA
12	088070250	Door Assembly Bulkhead NO/Window W/ F/Pull 32"	1	EA
13	088070252	Hanger Assembly W/Seal Bulkhead Door 3.34X32.13	1	EA
14	92537309	Plate Mounting Latch AL .125X3.19X5.29	1	EA
15	1113046	Latch Finger Pull	1	EA
16	1113600	Cable Bulkhead Door .125X29" Black Vinyl	1	EA
17	088070516	Wear Strip AL 452002X33.75	1	EA

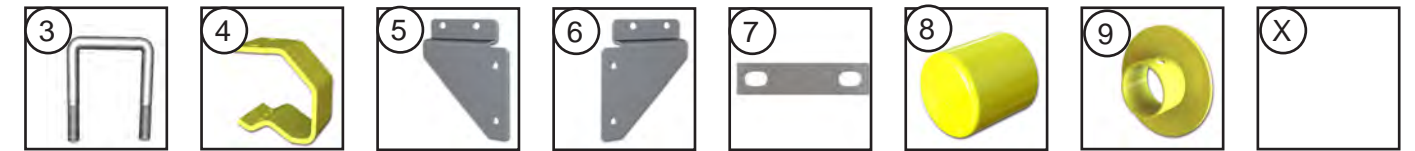
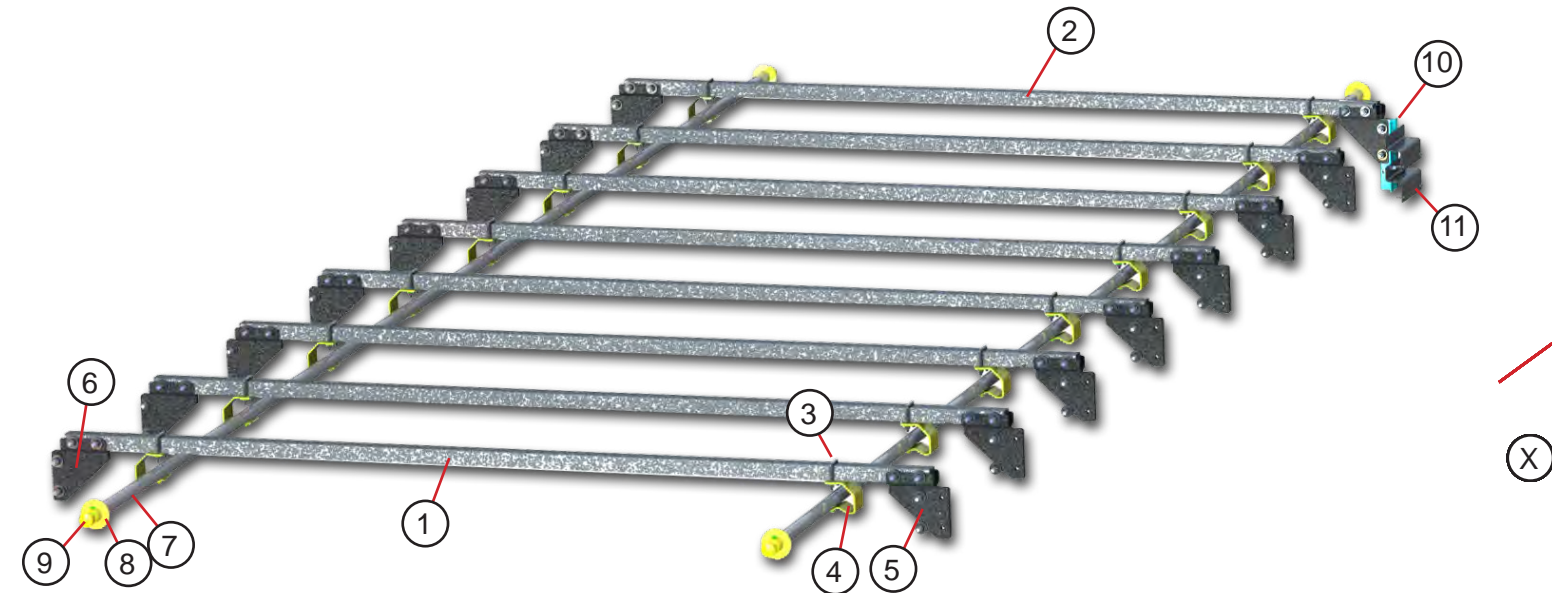


Item #	Part #	Description	Qty	Unit

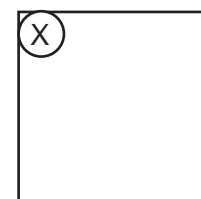
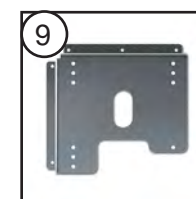
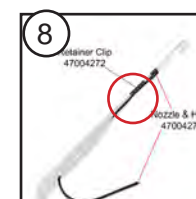
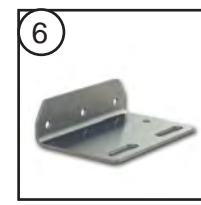
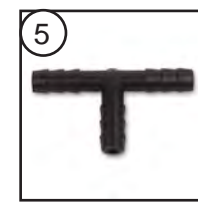
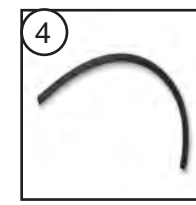
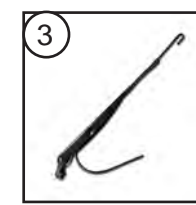
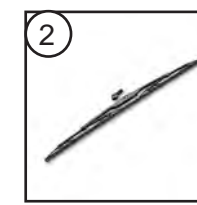
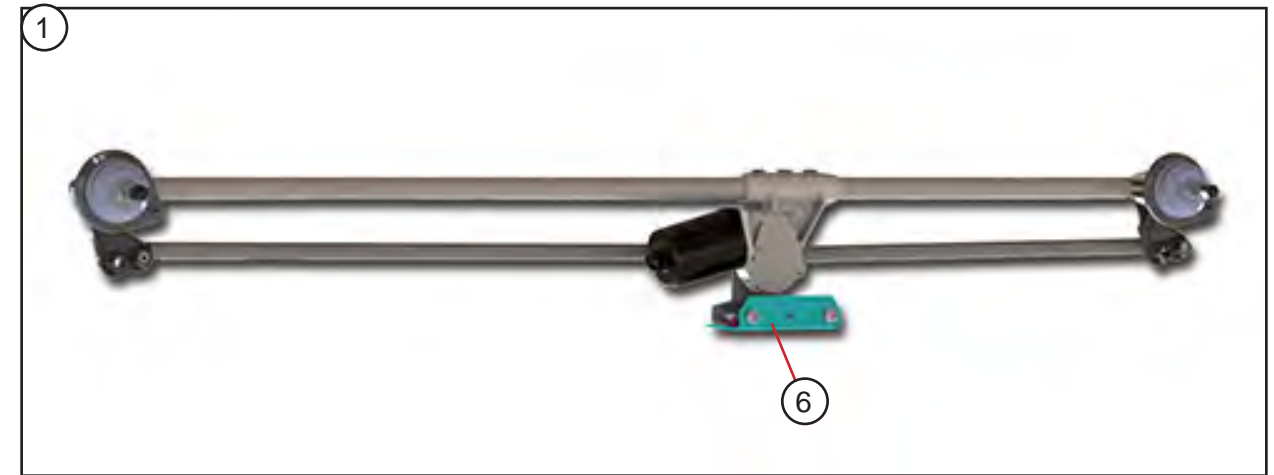
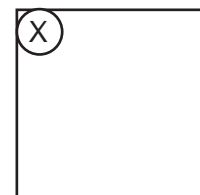
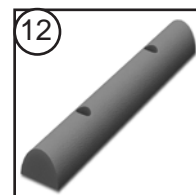
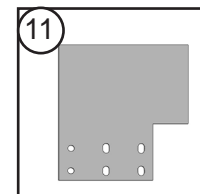
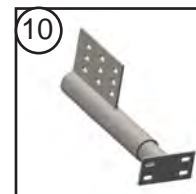
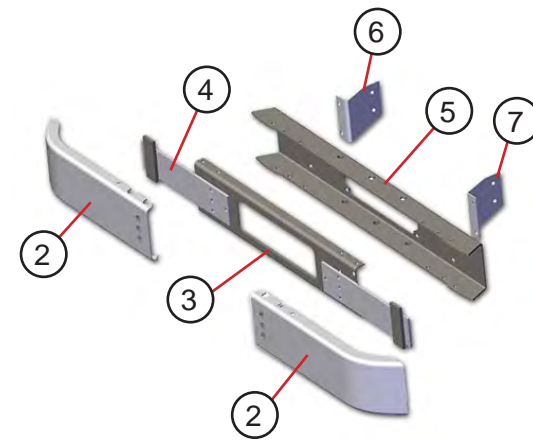
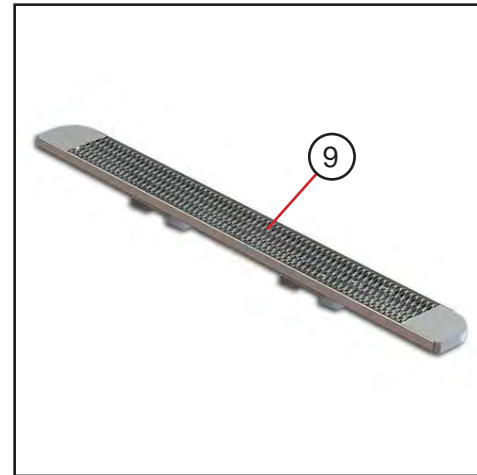
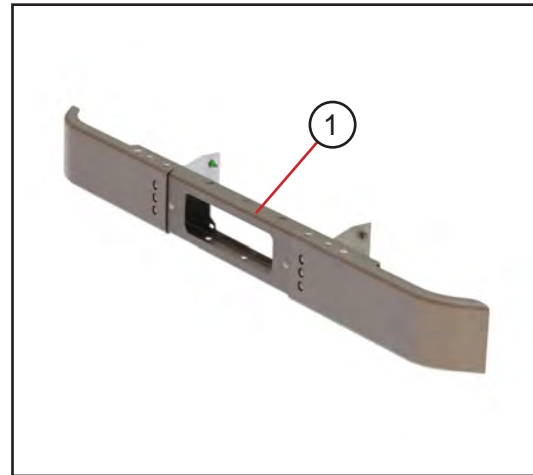
**Pending
Supplier
Data**



Item #	Part #	Description	Qty	Unit
1	230105202	Shelf Assembly - Folding LH/RH	2	EA
2	190105411	Bracket Steel X5.82X8.53 RH	8	EA
3	190105412	Bracket Steel X5.92X8.67 LH	8	EA
4	230105405	Bracket - Shelf Support AL .125X2.73X13	2	EA
5	126106427	Ball Stud 10X.31-18X1.6OA	16	EA
6	126106426	Gas Spring W/O Lock 60LB 8.7/6.2	8	EA
7	150106202	Bumper Kit for Folding Shelf	4	EA
8	1107102	Rubber Bumper Plug Only	-	EA
9	150106410	Bracket - Rubber Bumper Only AL .125X2.5X2.73	-	EA
10	238048401	Stiffener Side Wall 85H T-Stud AL X77.94 LH/RH	14	EA
11	228048402	Stiffener Side Wall 85H T-Stud AL X69.54 LH/RH @ Wheel Box	4	EA

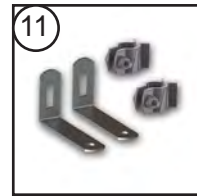
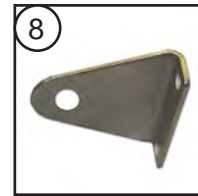


Item #	Part #	Description	Qty	Unit
1	220095400	Bow Tube Steel X88.75	7	EA
2	220095401	Bow Tube Steel X86.5 @ Door Pocket	1	EA
3	45601155	U-Bolt	16	EA
4	45601180	Bracket Pipe Hanger Steel 3.12"	16	EA
5	135095401	Bracket Pipe Rack AL .125X6X6.82 RH	2	EA
6	135095400	Bracket Pipe Rack AL .125X6X6.82 LH	2	EA
7	220095404	Shim - Pipe Rack AL .07X.75X3.5	32	EA
8	45601191	End Cap Pipe Yellow	4	EA
9	45601182	Stop - @ End Cap Yellow	4	EA

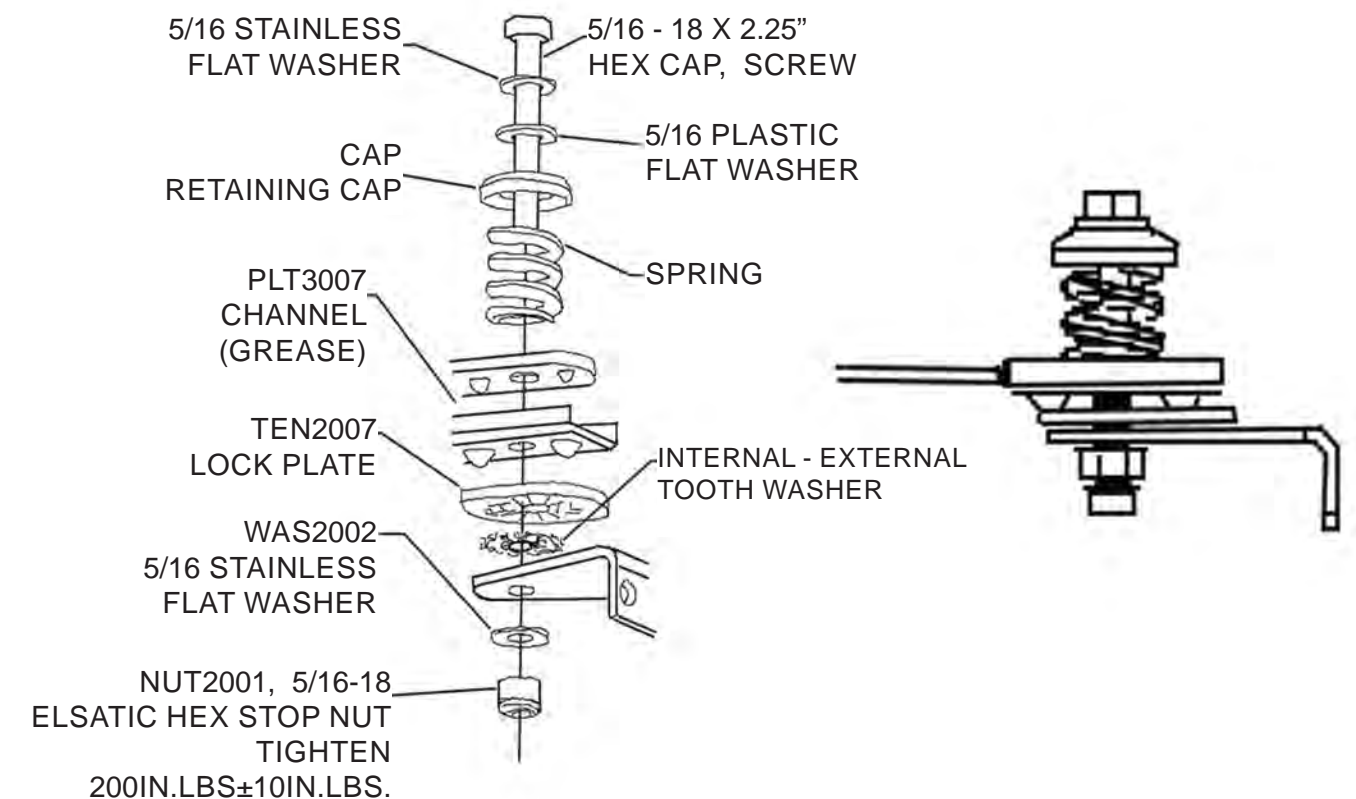
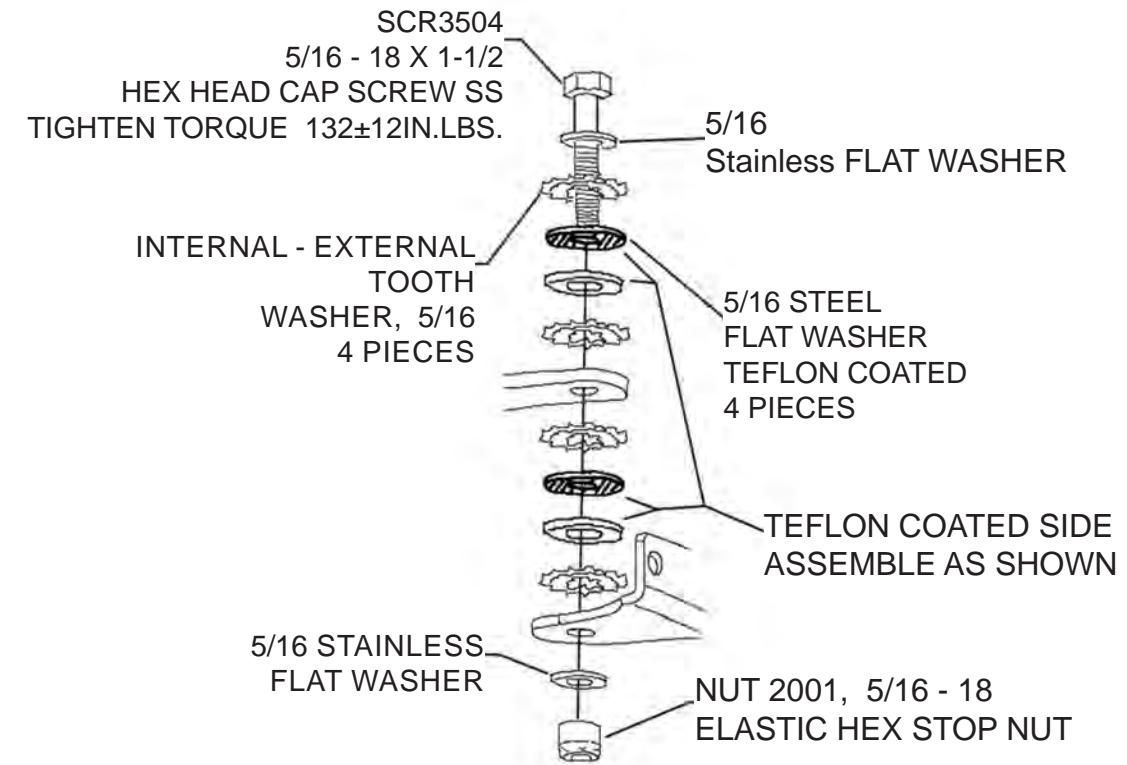


Item #	Part #	Description	Qty	Unit
1	167008003	Spring Back Front Bumper Installation 93W FCC	1	EA
2	155008203	Bumper Outer Channel (Welded Assembly) 93W	2	EA
3	167008402	Channel Bumper Steel 7GA X11.26X41	1	EA
4	155008417	Bumper Leaf Spring Front Steel .375X5X22	2	EA
5	167008401	Channel Bumper Rear Steel .25 X14.91X55.09	1	EA
6	167008404	Mounting Bracket RH Steel 7GA X8.12X8.32	1	EA
7	167008403	Mounting Bracket LH Steel 7GA X8.12X8.32	1	EA
9	47004280	Bumper Rear 93W 10" Shock Mount	1	EA
10	003057200	Bumper Mounting Shock	2	EA
11	03M545047	Bumper Hanger Plate Steel .312 X11X12	2	EA
12	200057410	Rubber Protector 1107307X16.5	4	EA

Item #	Part #	Description	Qty	Unit
1	47004230	Wiper System Assembly 2 Pivot 93/96W	1	EA
2	47004134	Blade Wiper 24IN Black	2	EA
3	47004206	Arm Wiper Metal WSW WET 22IN Radial	2	EA
4	1107122	Hose .188 ID WSW	12	FT
5	1101694	Tee Connector	1	EA
6	220055408	Bracket Wiper Motor Mounting AL .102X4.14X4.5	1	EA
7	47004271	Replacement Spray Nozzle	-	EA
8	47004272	Retaining Clip - Washer Hose	-	EA
9	210063400	Mounting Bracket - Washer Bottle AL .102X12.55X13.47	1	EA
10	47004507	Washer Resorvior Bottle W/Pump	1	EA

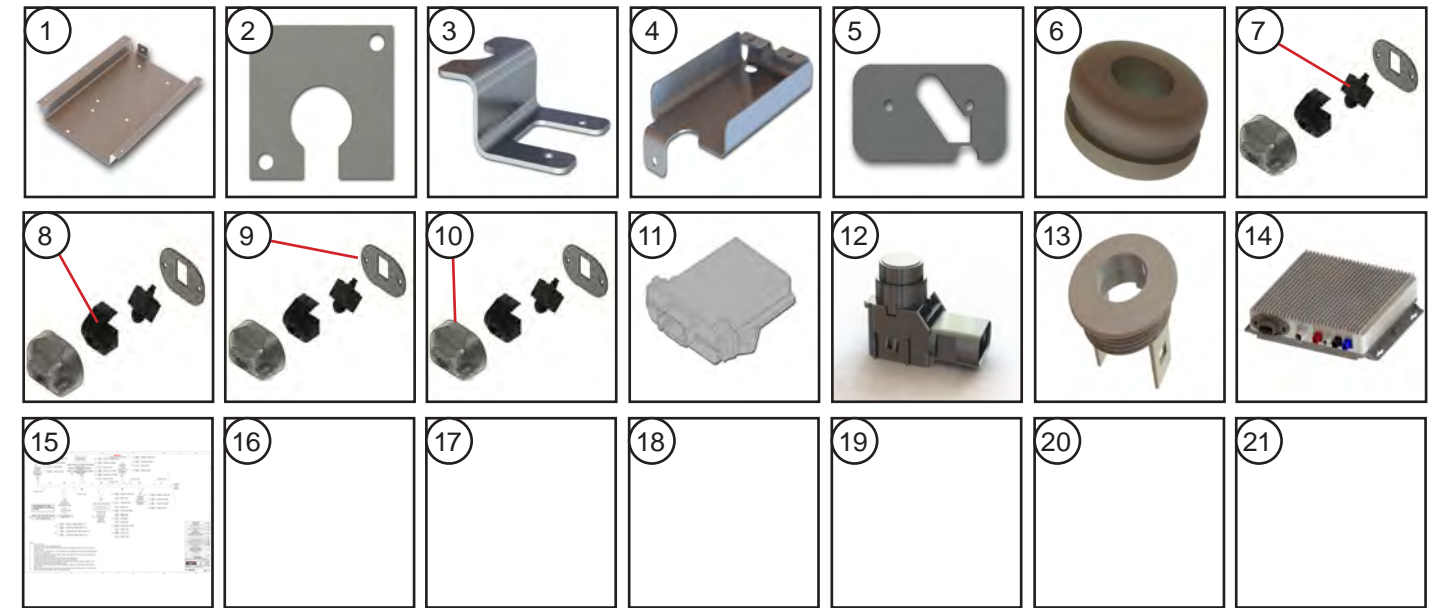


Item#	Part#	Description	Qty	Unit
1	47005642	Mirror Assembly RH Stainless	1	EA
2	47005641	Mirror Assembly LH Stainless	1	EA
3	47005673	Mirror Head 7 x 16	2	EA
4	47005671	Mirror Head 8" Round	2	EA
5	47005689	Mirror Loop Stainless 3/4" X 35.33"	2	EA
6	47005672	Clamp 3/4" (Lower Mirror)	2	EA
7	47005610	Mounting Base Upper	2	EA
8	47005623	Mounting Base Lower	2	EA
9	47005007	Hardware Kit Upper (See diagram next page)	2	EA
10	47005069	Hardware Kit Lower (See diagram next page)	2	EA
11	47005700	Clamp Kit Upper (Upper Mirror)	2	EA





Item #	Part #	Description	Qty	Unit
1	47001047	Grab Handle Entry Powercoat Yellow	1	EA
2	107005490	Bracket Attach Grab Handle AL .125X2.6X3.5	1	EA
3	47001082	Grab Handle 1" AL X31.875 2.75DP	3	EA
4	47005504	Sun Visor 8 X 33	2	EA
5	102084499	Bracket Fuse Panel AL .102X4X12.78	1	EA
6	173092401	Cover Fuse Panel AL .102X4X4.13	1	EA
7	47009621	Fire Extinguisher	1	EA
8	1107308	Mud Flap Black W/O Logo	1	PR
9	7504428	Retainer Mud Flap AL .125X1.5X20	2	EA
10	80795014	Angle Retainer AL .188X5X20	2	EA
11	47009706	Wire Support @ Mud Flap	2	EA
12	45200051	Trash Receptical Plastic	1	EA
13	05M078011	Support Bracket Receptical AL .125X17.74X25.15	1	EA
14	1129005	Trim Quick Edge Single Lip Grip Range .12-.19	7	FT
15	47009653	Center Console Plastic	1	EA
16	46025017	Reflector Red 2.88"	4	EA
17	46025018	Reflector Amber 2.88"	2	EA
18	083014200	Work Table Shelf Assembly	1	EA
19	103014200	Leg Assembly - Work Table	1	EA
20	46021115	Clip Body Large	3	EA
20	46021114	Clip Body Medium	16	EA
21	47000735	7-Pin Lock Core	1	EA

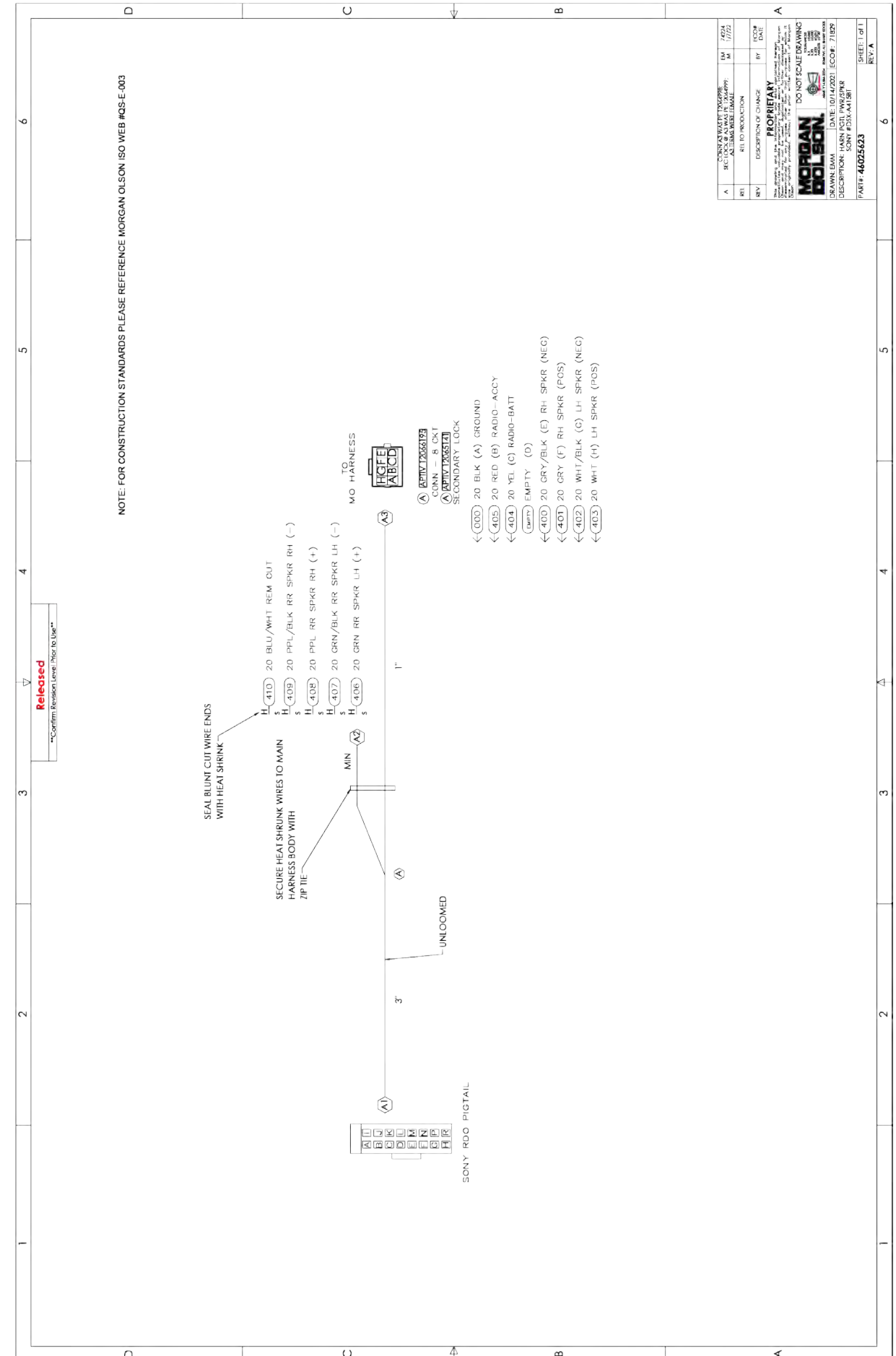
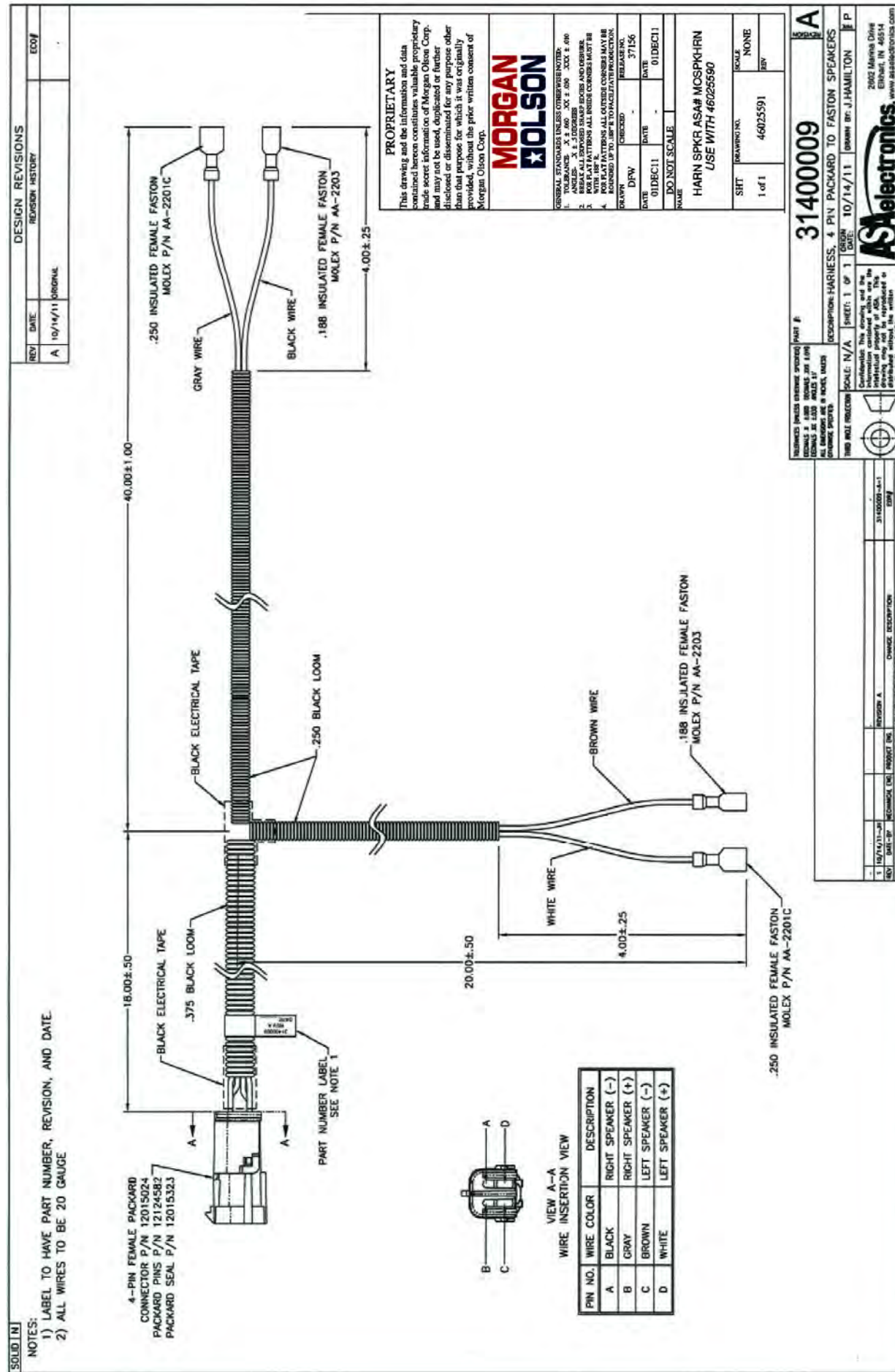


Item #	Part #	Description	Supplier	Qty	Unit
Parts Supplied by Morgan Olson					
1	207055402	Bracket Mounting AL .07X13.37X16.38	MO	1	EA
2	208092402	Plate Transom Sill AL .125X2.25X2.25	MO	1	EA
3	228092400	Bracket Camera Rear AL .102X3.25X4.37	MO	1	EA
4	207026400	Guard Camera Mid AL .07X5.76X9.74	MO	2	EA
5	208092400	Spacer Camera Rear AL .25X2.25X4.13	MO	1	EA
6	1107074	RPD Grommet G3115	MO	1	EA
Parts Supplied by Freightliner					
7	CS8482001	Camera 360 FCCC	FCCC	4	EA
8	CS8482009	Mounting Camera Angle 360 FCCC	FCCC	4	EA
9	CS8482010	Gasket Camera Housing Front/Side 360 FCCC	FCCC	3	EA
9	CS8482011	Gasket Camera Housing Rear 360 FCCC	FCCC	1	EA
10	CS8482002	Housing Camera Front/Side 360 FCCC	FCCC	3	EA
10	CS8482003	Housing Camera Rear 360 FCCC	FCCC	1	EA
11	CS8460003	Module Sonar ODS FCCC	FCCC	1	EA
12	CS8460001	Sensor Sonar LG ODS FCCC	FCCC	4	EA
13	CS8460000	Housing Sensor Sonar ODS FCCC	FCCC	8	EA
14	CS8482000	Module Camera 360 FCCC	FCCC	1	EA
15	CS8482008	Microphone Camera Rear 360 FCCC	FCCC	1	EA
NS	208087200	Harness Sonar FCCC Forward	FCCC	1	EA
NS	218087203	Harness Sonar FCCC Rear 20'6"	FCCC	1	EA
NS	CS8482004	Cable Camera Front 360 FCCC	FCCC	1	EA
NS	CS8482005	Cable Camera Rear 360 FCCC	FCCC	1	EA
NS	CS8482006	Cable Camera LH 360 FCCC	FCCC	1	EA
NS	CS8482007	Cable Camera RH 360 FCCC	FCCC	1	EA



Item #	Part #	Description	Qty	Unit
1	46000213	Headlamp Assembly	2	EA
2	46027653	Lamp Park/Turn	2	EA
3	46001447	Lamp Back Up LED	2	EA
4	46002266	Lamp Rear Combo LED	4	EA
5	46001388	Lamp Clearance Marker Red LED PC	7	EA
6	46001395	Lamp Clearance Marker Amber LED PC	8	EA
7	47009642	Lamp Clearance Marker LED Clear	2	EA
8	46002650	Lamp Dome Recessed LED Cargo	1	EA
9	46002676	Lamp Dome Recessed LED Cab	1	EA
10	46004443	Grommet Round Black 4IN Lamp	6	EA
11	46027708	Grommet Oval 6.5"	2	EA
12	46024701	Lamp Alarm Buzzer 12V Red	1	EA
13	46023532	Switch Rocker Cab Dome SPST OFF-ON	1	EA
14	46023533	Switch Rocker Cargo Dome SPDT ON-ON	1	EA
15	46023535	Switch Rocker Dash Fan SPDT ON-OFF-ON	1	EA
16	46030014	Fan 2-Speed No Switch 270CFM	1	EA
17	CS8083002	Back Up Alarm	1	EA
18	46025621	Radio AM/FM/BT/AUX	1	EA
19	46025590	Speaker 6.5"	2	EA
20	46025559	Antenna Top/Side Mount	1	EA
21	178300400	Label Fuse Box LH	1	EA
22	178300401	Label Fuse Box RH	1	EA
23	45200256	Placard - Seatbelt Lamp/Buzzer	1	EA
24				

Item #	Part #	Description	Qty	Unit
38	46025591	Harness Speaker Wiring	1	EA
39	46025623	Harness Pigtail Power/Speaker	1	EA
40	090093202	Harness Jumper Cargo Dome Lamp	1	EA
41-42	093093202	Harness Roof 17/20FT6IN	1	EA
43	098085201	Harness Hood FCC AL	1	EA
44	130092204	Harness License Plate Box LED	1	EA
45	132092202	Harness Seat Belt Buzzer & Lamp	1	EA
46-48	162086200	Harness Rear Lamps Back Panel STD	1	EA
49-52	165084202	Harness Instrument Panel STD	1	EA
53-55	165088203	Harness Chassis Interface FCC STD	1	EA
56-58	167391200	Harness Roof / Nose 85H STD	1	EA
59	207084210	Harness Jumper FCCC Wiper	1	EA
60	208087200	Harness Sonar FCCC Forward	1	EA
61	218087203	Harness Sonar FCCC Rear 20'6"	1	EA
62	CS8482004	Camera Cable Front 360 FCCC	1	EA
63	CS8482005	Camera Cable Rear 360 FCCC	1	EA
64	CS8482006	Camera Cable LH 360 FCCC	1	EA
65	CS8482007	Camera Cable RH 360 FCCC	1	EA



REV	DESCRIPTION	BY	DATE	SHT	LOF
090093202	A			1	1
RELEASE FOR PRODUCTION					
A	80" W/A 64"	WTS			

9. THIS IS A PURCHASED HARNESS. NO BILL OF MATERIAL EXISTS.
10. VENDOR MAY REPLACE WITH APPROVED MOLDINGS OR CONNECTORS. PICTAILS SHOWN IN TERMINAL VIEW.
11. HARNESS TO BE TESTED FOR CONTENT, OPENS, SHORTS, AND CONTINUITY.
12. CONNECTORS SHOWN FROM WIRE ENTRY SIDE, UNLESS OTHERWISE NOTED.
13. SPLICES TO BE AUTOMATED WITH SOLDER AND ADHESIVE LINED HEAT SHRINK TUBING.
14. TAPE [1111096]: 6" AT BREAKOUTS, 2" AT 18" INTERVALS FOR UNINTERRUPTED LOM L AND GREATER THAN 24", AND 2" AT LOOM ENDS.
15. HARNESS TO HAVE A LABEL SHOWING MORGAN OLSON PART NUMBER, REVISION LEVEL, AND DATE OF MANUFACTURE.
16. SPLIT POLY LOOM UNLESS OTHERWISE NOTED.
17. GXL WIRE.

PROPRIETARY
This drawing and the information contained herein are the property of Morgan Olson and are not to be distributed, copied, or used in any way without the written consent of Morgan Olson.

MORGAN MOLSON

GENERAL STANDARDS UNLESS OTHERWISE NOTED:
 1. UNLESS NOTED OTHERWISE, ALL DIMENSIONS ARE IN INCHES.
 2. DIMENSIONS ARE TO CENTER UNLESS NOTED OTHERWISE.
 3. DIMENSIONS ARE TO CENTER UNLESS NOTED OTHERWISE.
 4. DIMENSIONS ARE TO CENTER UNLESS NOTED OTHERWISE.

HARNESSES AND LOOM TOLERANCES
 UP TO 60" = -0/+2"
 60" TO 100" = -0/+4"
 100" TO 200" = -0/+5"
 200" TO 400" = -0/+6"
 400" TO 600" = -0/+7"
 OVER 600" = -0/+8"
 BO TO BO = -0/+2"

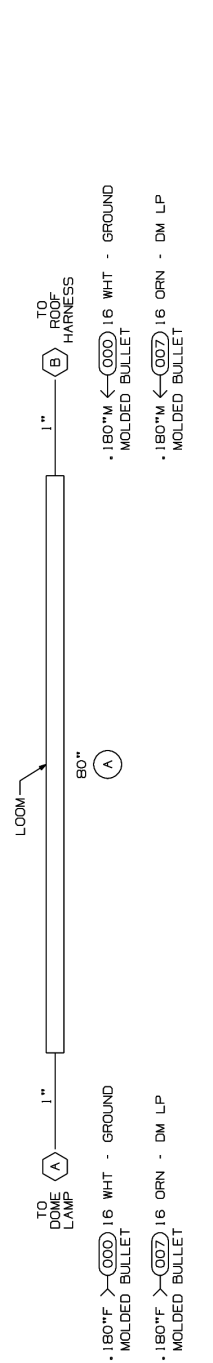
LENGTHS APPLY FROM BREAKOUT TO BREAKOUT OR FROM WIRE ENTRY SIDE OF CONNECTOR, OR END OF COVER.

HARN JPR CRG D/LP GEN .180BLLT

DRAWING NO. 090093202

SHT NONE

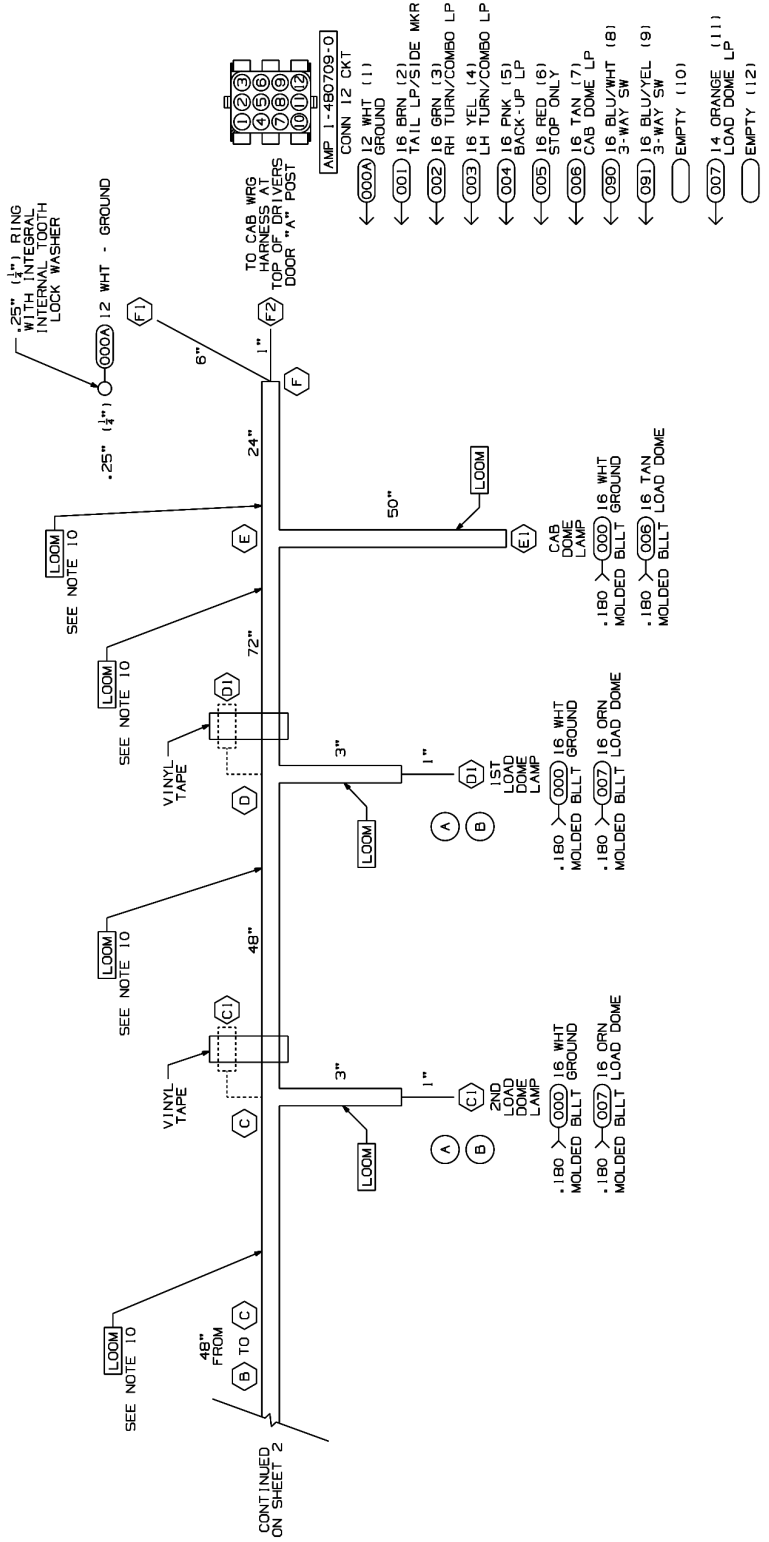
LOF 1



FEMALE BULLET TERMINALS TO BE GREASED

FIRST USE: CV100632 BASED ON: 007388326

REV	DESCRIPTION	BY	DATE	SHT	LOF
093093202	B			1	2
RELEASE TO PRODUCTION					
A	REV 180" W/A 64"	WTS			
B	REV'D DM LP B/O'S	WTS			



PROPRIETARY
This drawing and the information contained herein are the property of Morgan Olson and are not to be distributed, copied, or used in any way without the written consent of Morgan Olson.

MORGAN MOLSON

GENERAL STANDARDS UNLESS OTHERWISE NOTED:
 1. UNLESS NOTED OTHERWISE, ALL DIMENSIONS ARE IN INCHES.
 2. DIMENSIONS ARE TO CENTER UNLESS NOTED OTHERWISE.
 3. DIMENSIONS ARE TO CENTER UNLESS NOTED OTHERWISE.

HARNESSES AND LOOM TOLERANCES
 UP TO 60" = -0/+2"
 60" TO 100" = -0/+4"
 100" TO 200" = -0/+5"
 200" TO 400" = -0/+6"
 400" TO 600" = -0/+7"
 OVER 600" = -0/+8"
 BO TO BO = -0/+2"

LENGTHS APPLY FROM BREAKOUT TO BREAKOUT OR FROM WIRE ENTRY SIDE OF CONNECTOR, OR END OF COVER.

HARN ROOF 17".2016" M100 TRUCK .180F BLT

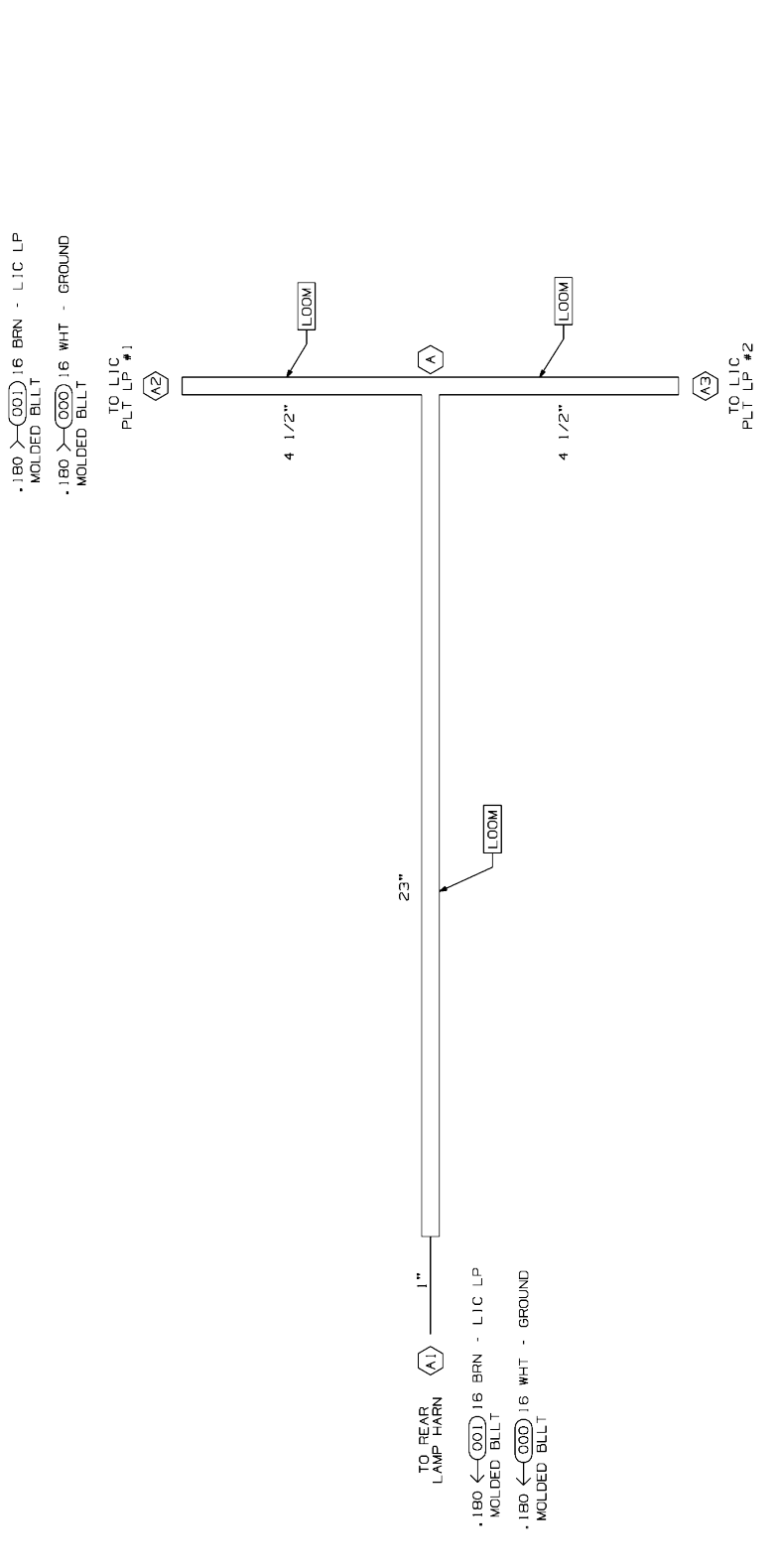
DRAWING NO. 093093202

SHT NONE

LOF 2

DRAWING NO.	REV	SHT	LOF
130092204			1
REV.	DESCRIPTION	BY	ISS. NO.
	RELEASE FOR PRODUCTION	CH.	DATE

CIRCUIT	DESCRIPTION	END POINTS	FUNCTION
000	16 WHT	A1, A2, A3	GROUND
001	16 BRN	A1, A2, A3	LICENSE LAMP



- .180 ← (000) 16 BRN - LIC LP MOLDED BLLT
 - .180 ← (000) 16 WHT - GROUND MOLDED BLLT
 - .180 ← (000) 16 BRN - LIC LP MOLDED BLLT
 - .180 ← (000) 16 WHT - GROUND MOLDED BLLT
- TO REAR LAMP HARNESS (A1)
- TO LIC PLY LP #1 (A2)
- TO LIC PLY LP #2 (A3)
- TO LIC PLY LP #3 (A3)

HARNES AND LOOM TOLERANCES

UP TO 60"	: -0/+2"
60" TO 100"	: -0/+4"
100" TO 200"	: -0/+5"
200" TO 400"	: -0/+6"
400" TO 600"	: -0/+7"
OVER 600"	: -0/+8"

BO TO BO : -0/+2"

LENGTHS APPLY FROM BREAKOUT TO BREAKOUT, OR BREAKOUT TO WIRE ENTRY SIDE OF CONNECTOR.

FIRST USE:
CV101936
BASED ON:
130092202

DRAWING NO.	REV	SHT	LOF
130092202			1
REV.	DESCRIPTION	BY	ISS. NO.
	RELEASE FOR PRODUCTION	CH.	DATE

NOTES:

- GXL WIRE.

PROPRIETARY

This drawing and the information and data contained herein are the property of Morgan Olson. No part of this drawing or the information and data contained herein may be reproduced, stored in a retrieval system, or transmitted in any form or by any means, electronic, mechanical, photocopying, recording, or by any information storage and retrieval system, without the prior written consent of Morgan Olson.



REV.	DESCRIPTION	BY	ISS. NO.
	RELEASE FOR PRODUCTION	CH.	DATE

HARNES AND LOOM TOLERANCES

UP TO 60"	: -0/+2"
60" TO 100"	: -0/+4"
100" TO 200"	: -0/+5"
200" TO 400"	: -0/+6"
400" TO 600"	: -0/+7"
OVER 600"	: -0/+8"

BO TO BO : -0/+2"

LENGTHS APPLY FROM BREAKOUT TO BREAKOUT, OR BREAKOUT TO WIRE ENTRY SIDE OF CONNECTOR.

FIRST USE:
CV101936
BASED ON:
130092202

DRAWING NO.	REV	SHT	LOF
130092204			1
REV.	DESCRIPTION	BY	ISS. NO.
	RELEASE FOR PRODUCTION	CH.	DATE

NOTES:

- GXL WIRE.

PROPRIETARY

This drawing and the information and data contained herein are the property of Morgan Olson. No part of this drawing or the information and data contained herein may be reproduced, stored in a retrieval system, or transmitted in any form or by any means, electronic, mechanical, photocopying, recording, or by any information storage and retrieval system, without the prior written consent of Morgan Olson.



REV.	DESCRIPTION	BY	ISS. NO.
	RELEASE FOR PRODUCTION	CH.	DATE

HARNES AND LOOM TOLERANCES

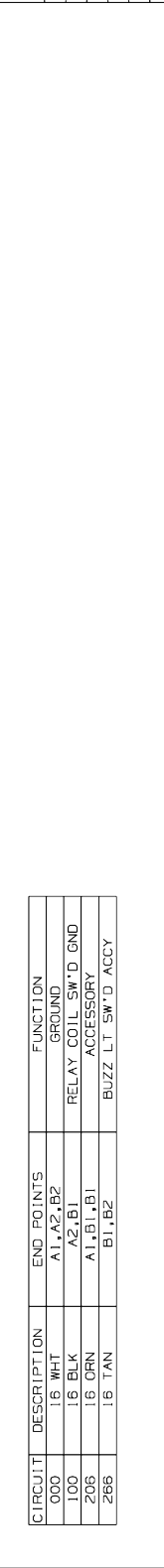
UP TO 60"	: -0/+2"
60" TO 100"	: -0/+4"
100" TO 200"	: -0/+5"
200" TO 400"	: -0/+6"
400" TO 600"	: -0/+7"
OVER 600"	: -0/+8"

BO TO BO : -0/+2"

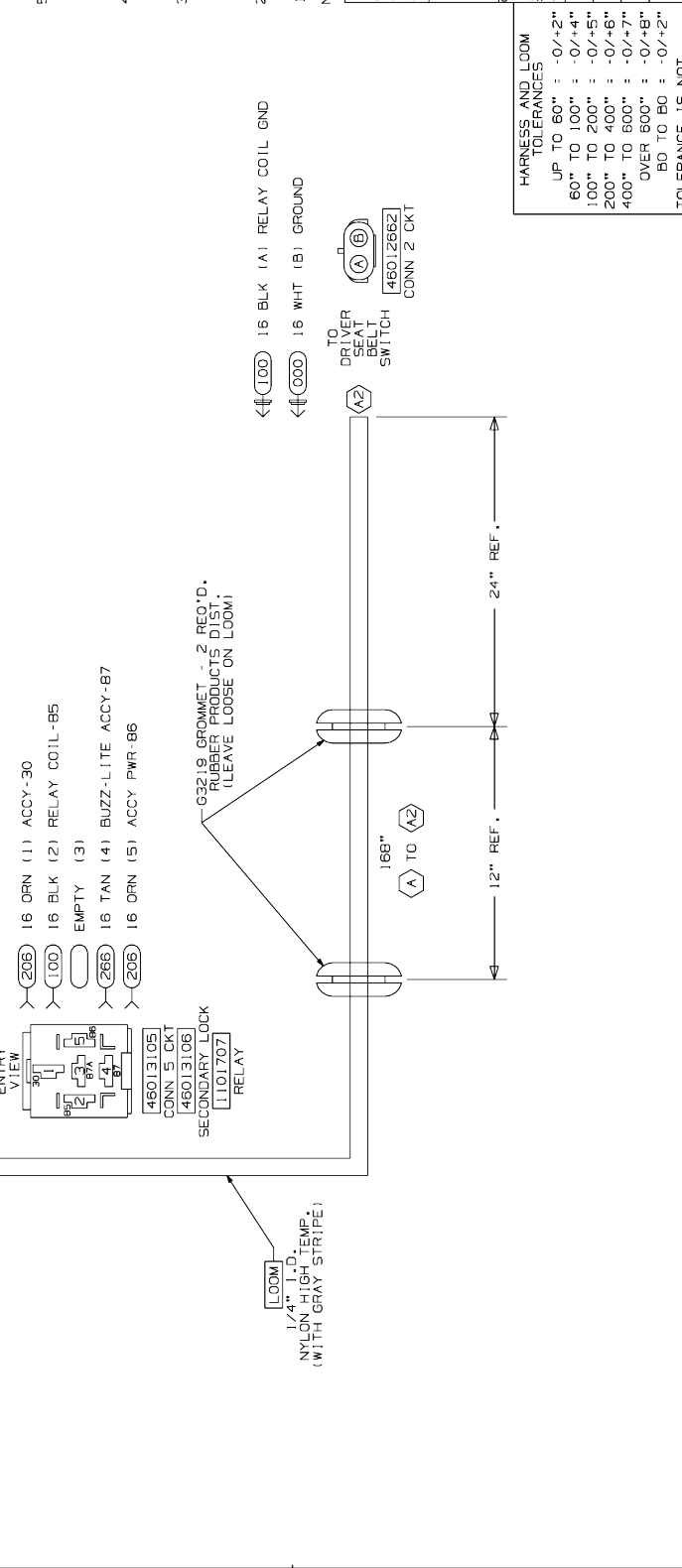
LENGTHS APPLY FROM BREAKOUT TO BREAKOUT, OR BREAKOUT TO WIRE ENTRY SIDE OF CONNECTOR.

FIRST USE:
CV101936
BASED ON:
130092202

DRAWING NO.	REV	SHT	LOF
132092202			1
REV.	DESCRIPTION	BY	ISS. NO.
	RELEASE FOR PRODUCTION	CH.	DATE



- ← (000) 16 WHT (B) GROUND
- ← (206) 16 ORN (C) ACCESSORY
- ← (000) 16 BRN (1) ACCY-30
- ← (100) 16 BLK (2) RELAY COIL-B5
- ← (266) 16 TAN (4) BUZZ-LITE ACCY-B7
- ← (206) 16 ORN (5) ACCY PWR-B6



FIRST USE:
JV000739
BASED ON:
082092202

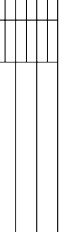
DRAWING NO.	REV	SHT	LOF
132092202			1
REV.	DESCRIPTION	BY	ISS. NO.
	RELEASE FOR PRODUCTION	CH.	DATE

NOTES:

- GXL WIRE.

PROPRIETARY

This drawing and the information and data contained herein are the property of Morgan Olson. No part of this drawing or the information and data contained herein may be reproduced, stored in a retrieval system, or transmitted in any form or by any means, electronic, mechanical, photocopying, recording, or by any information storage and retrieval system, without the prior written consent of Morgan Olson.



REV.	DESCRIPTION	BY	ISS. NO.
	RELEASE FOR PRODUCTION	CH.	DATE

HARNES AND LOOM TOLERANCES

UP TO 60"	: -0/+2"
60" TO 100"	: -0/+4"
100" TO 200"	: -0/+5"
200" TO 400"	: -0/+6"
400" TO 600"	: -0/+7"
OVER 600"	: -0/+8"

BO TO BO : -0/+2"

LENGTHS APPLY FROM BREAKOUT TO BREAKOUT, OR BREAKOUT TO WIRE ENTRY SIDE OF CONNECTOR.

FIRST USE:
CV101936
BASED ON:
130092202

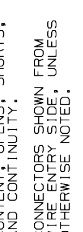
DRAWING NO.	REV	SHT	LOF
132092202			1
REV.	DESCRIPTION	BY	ISS. NO.
	RELEASE FOR PRODUCTION	CH.	DATE

NOTES:

- GXL WIRE.

PROPRIETARY

This drawing and the information and data contained herein are the property of Morgan Olson. No part of this drawing or the information and data contained herein may be reproduced, stored in a retrieval system, or transmitted in any form or by any means, electronic, mechanical, photocopying, recording, or by any information storage and retrieval system, without the prior written consent of Morgan Olson.



REV.	DESCRIPTION	BY	ISS. NO.
	RELEASE FOR PRODUCTION	CH.	DATE

HARNES AND LOOM TOLERANCES

UP TO 60"	: -0/+2"
60" TO 100"	: -0/+4"
100" TO 200"	: -0/+5"
200" TO 400"	: -0/+6"
400" TO 600"	: -0/+7"
OVER 600"	: -0/+8"

BO TO BO : -0/+2"

LENGTHS APPLY FROM BREAKOUT TO BREAKOUT, OR BREAKOUT TO WIRE ENTRY SIDE OF CONNECTOR.

FIRST USE:
JV000739
BASED ON:
082092202

DRAWING NO.	REV	SHT	LOF
132092202			1
REV.	DESCRIPTION	BY	ISS. NO.
	RELEASE FOR PRODUCTION	CH.	DATE

NOTES:

- GXL WIRE.

PROPRIETARY

This drawing and the information and data contained herein are the property of Morgan Olson. No part of this drawing or the information and data contained herein may be reproduced, stored in a retrieval system, or transmitted in any form or by any means, electronic, mechanical, photocopying, recording, or by any information storage and retrieval system, without the prior written consent of Morgan Olson.



REV.	DESCRIPTION	BY	ISS. NO.
	RELEASE FOR PRODUCTION	CH.	DATE

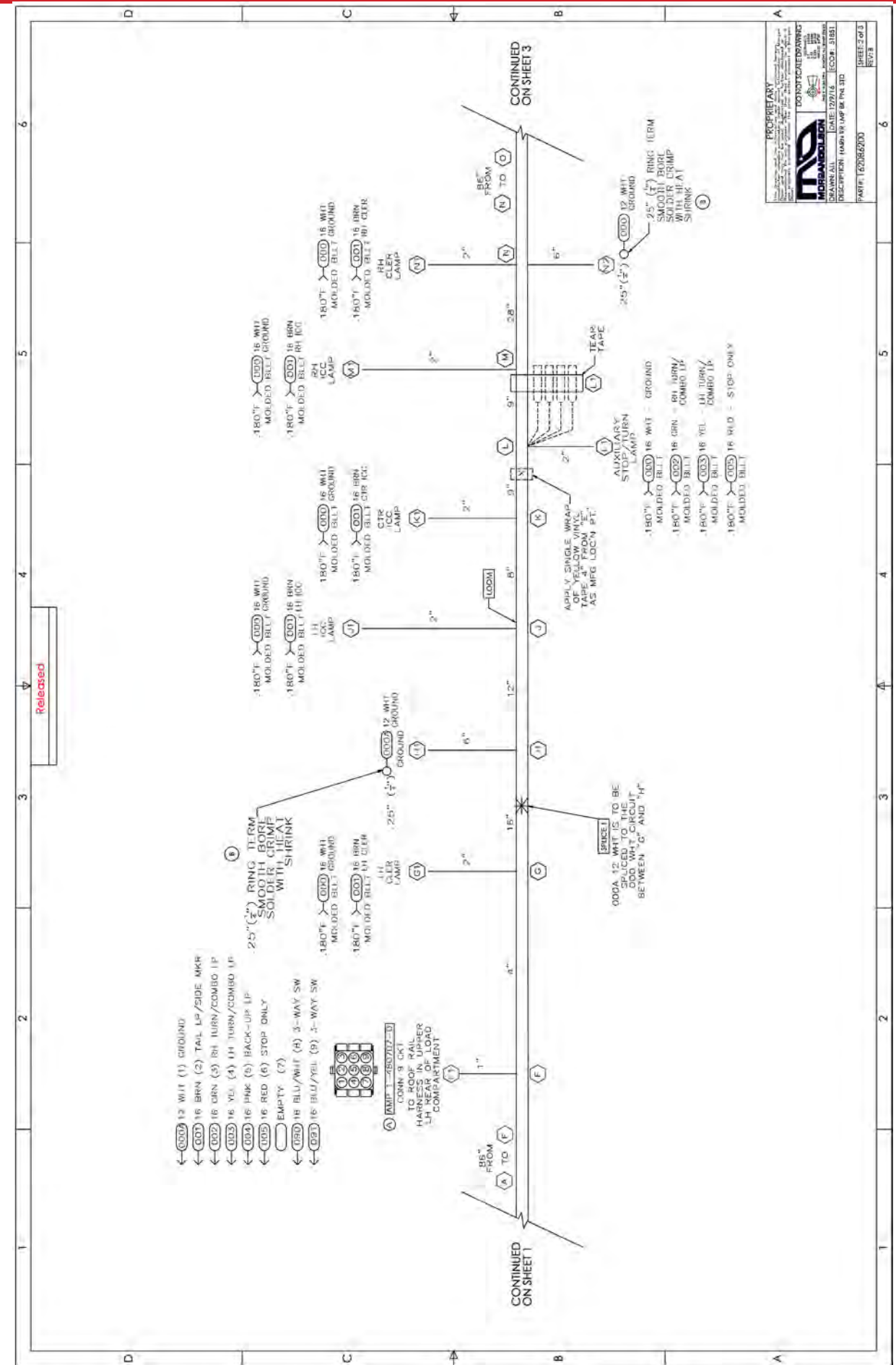
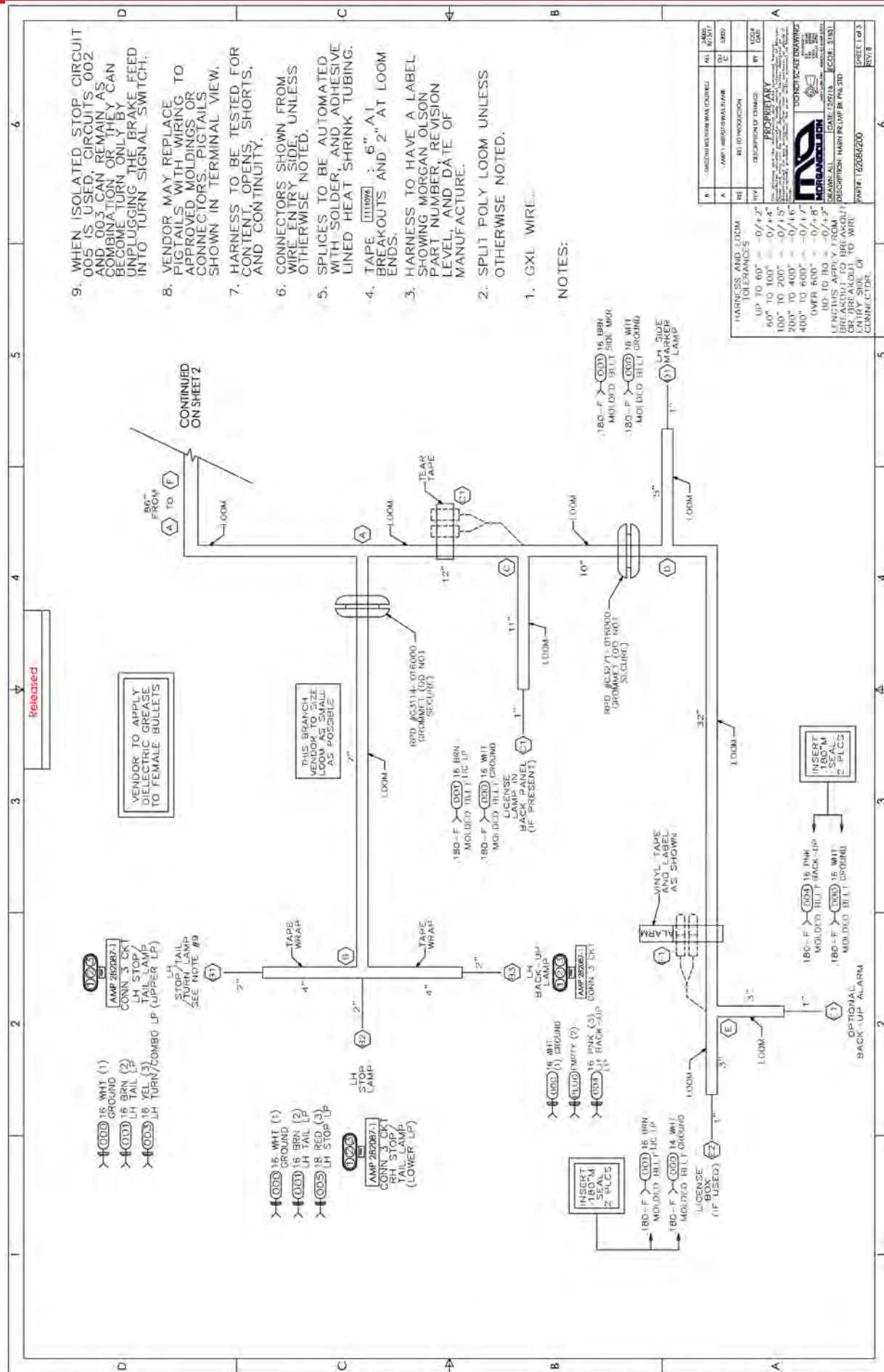
HARNES AND LOOM TOLERANCES

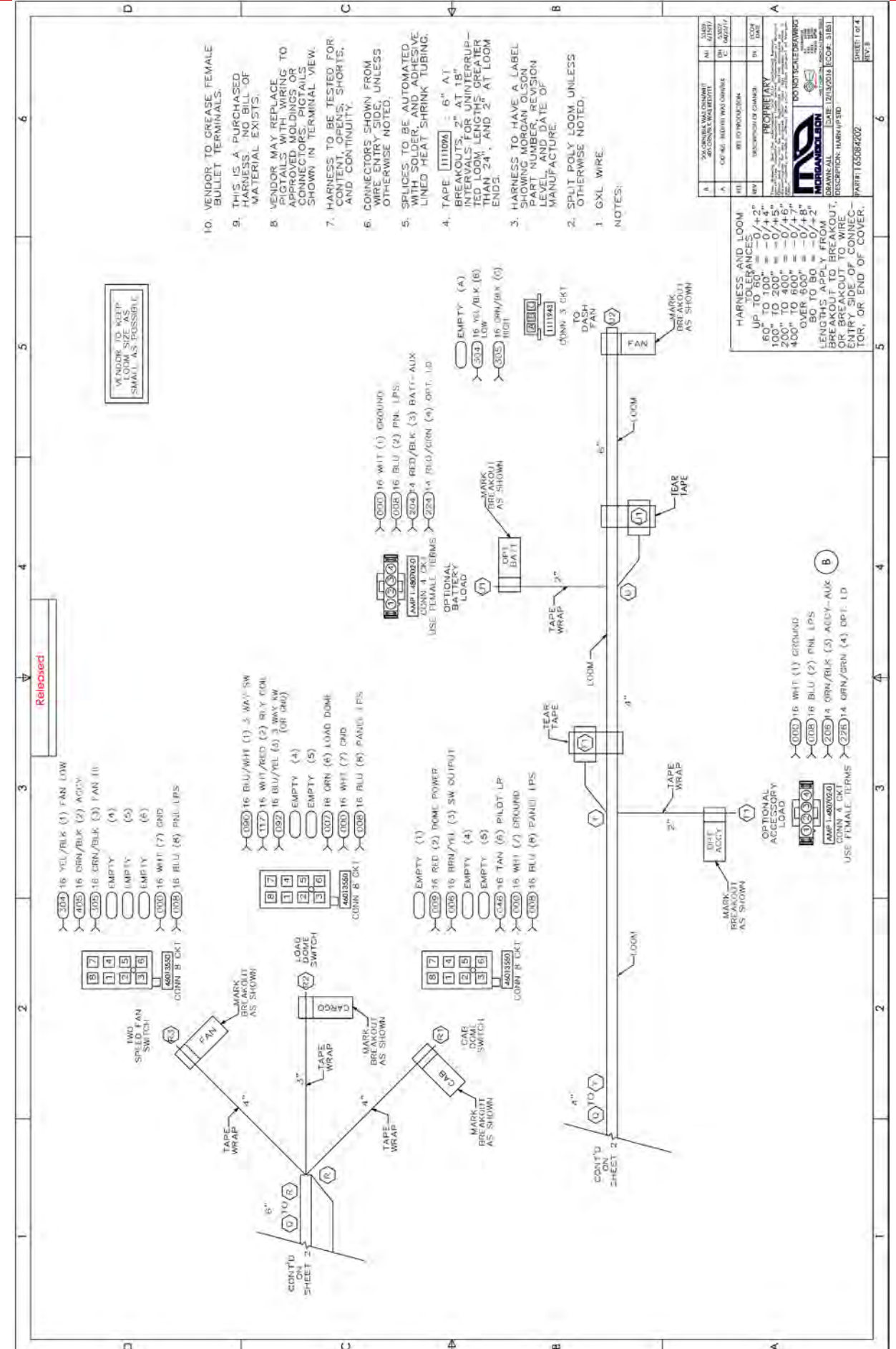
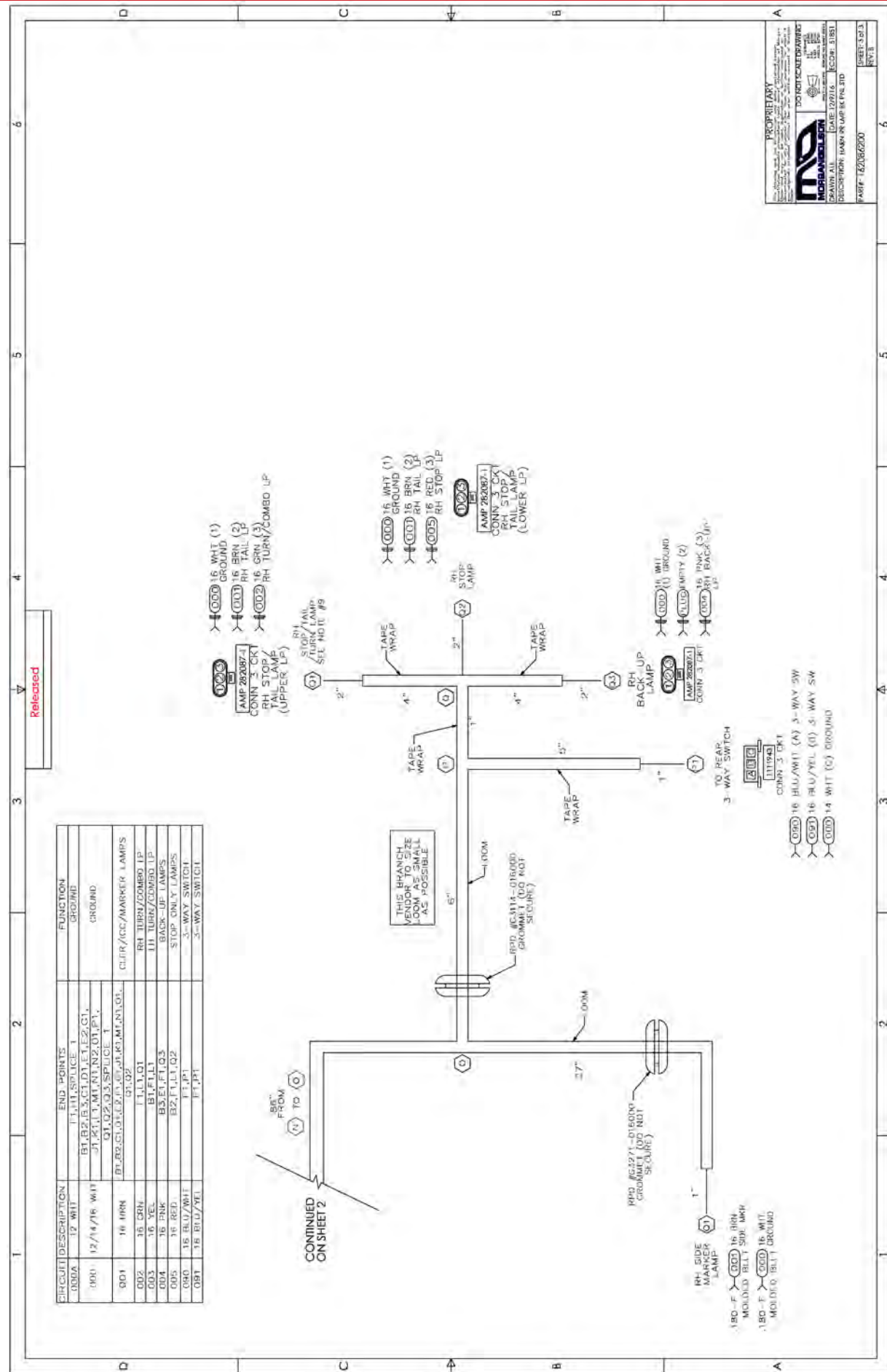
UP TO 60"	: -0/+2"
60" TO 100"	: -0/+4"
100" TO 200"	: -0/+5"
200" TO 400"	: -0/+6"
400" TO 600"	: -0/+7"
OVER 600"	: -0/+8"

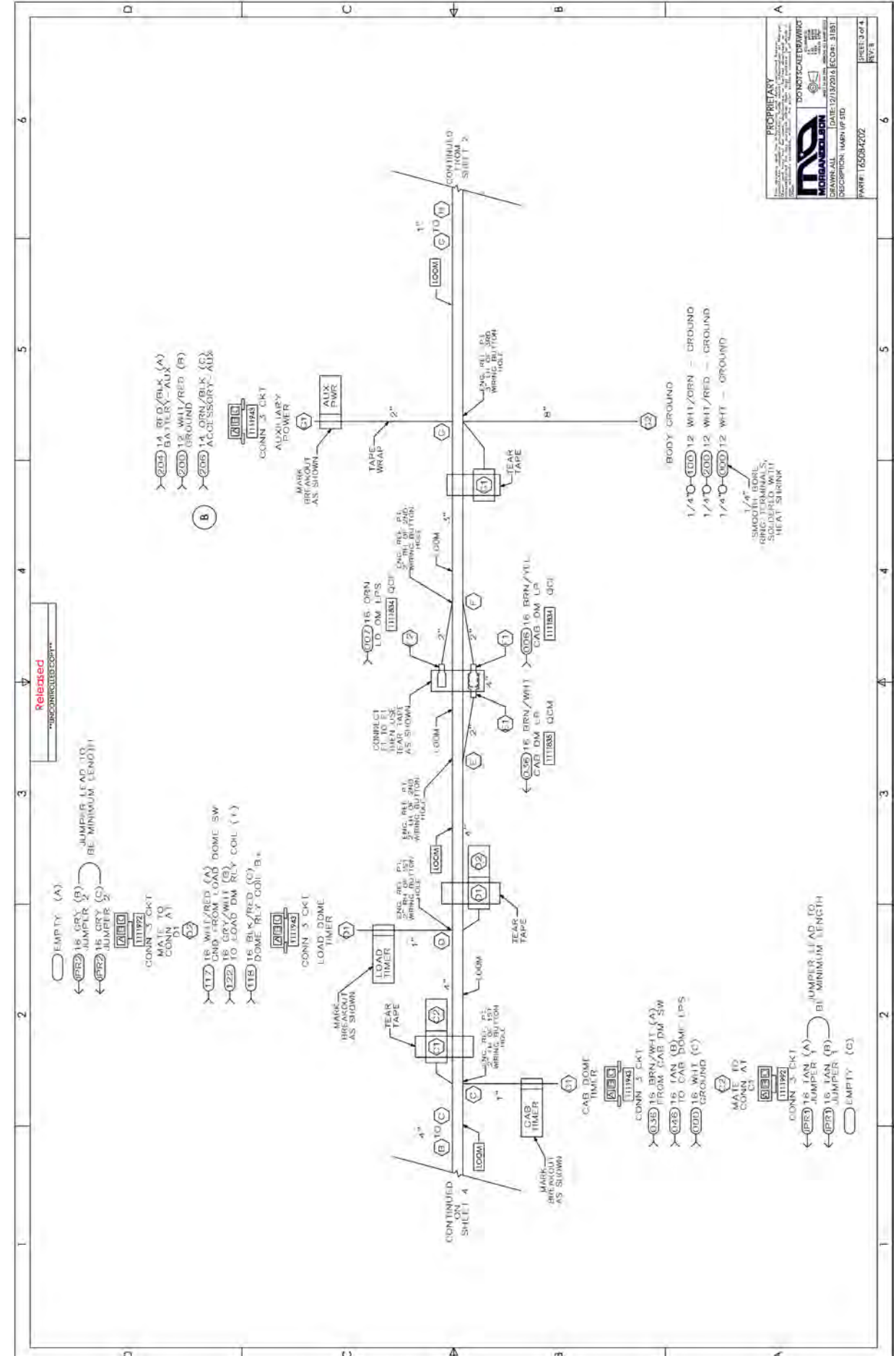
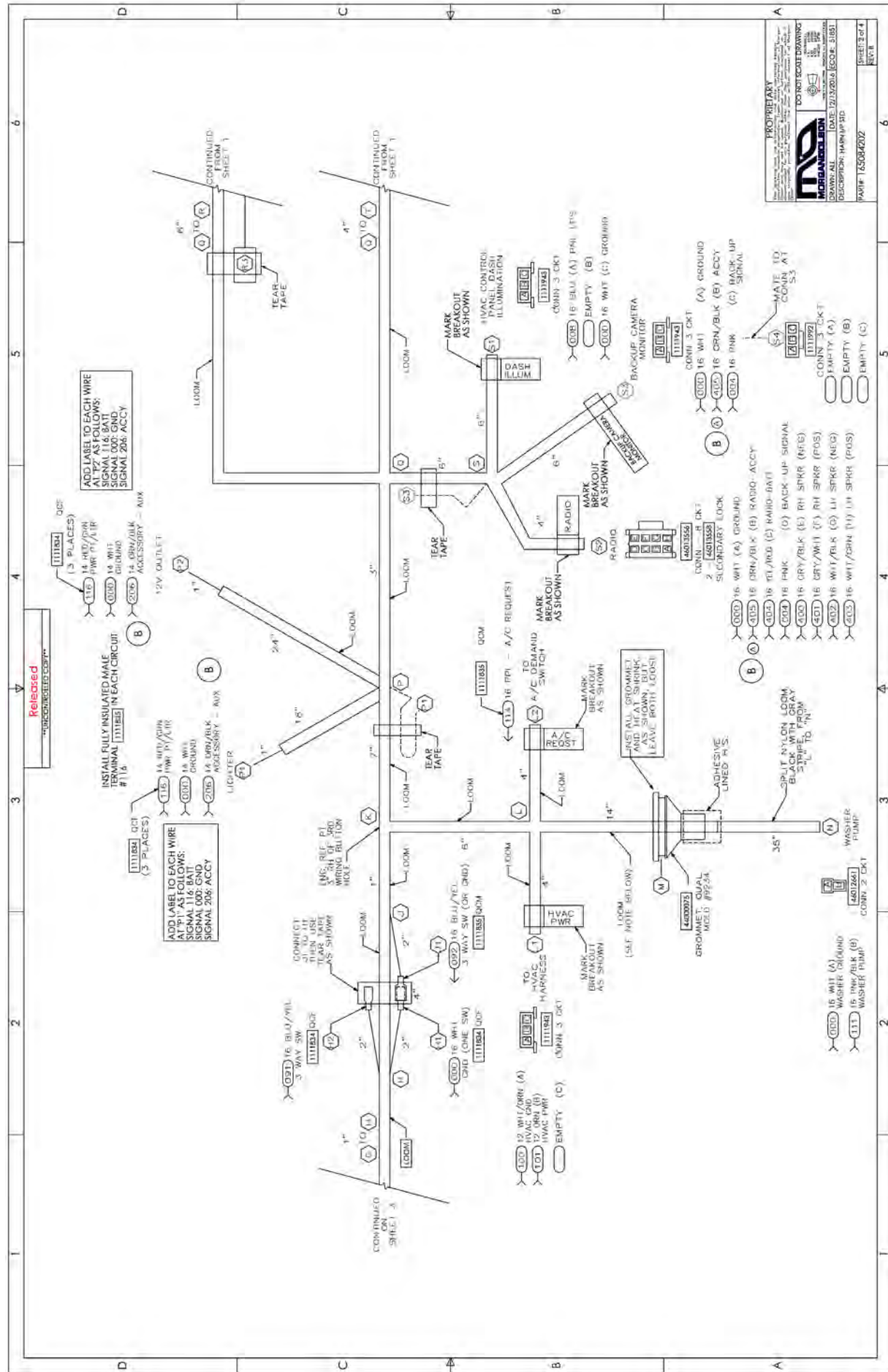
BO TO BO : -0/+2"

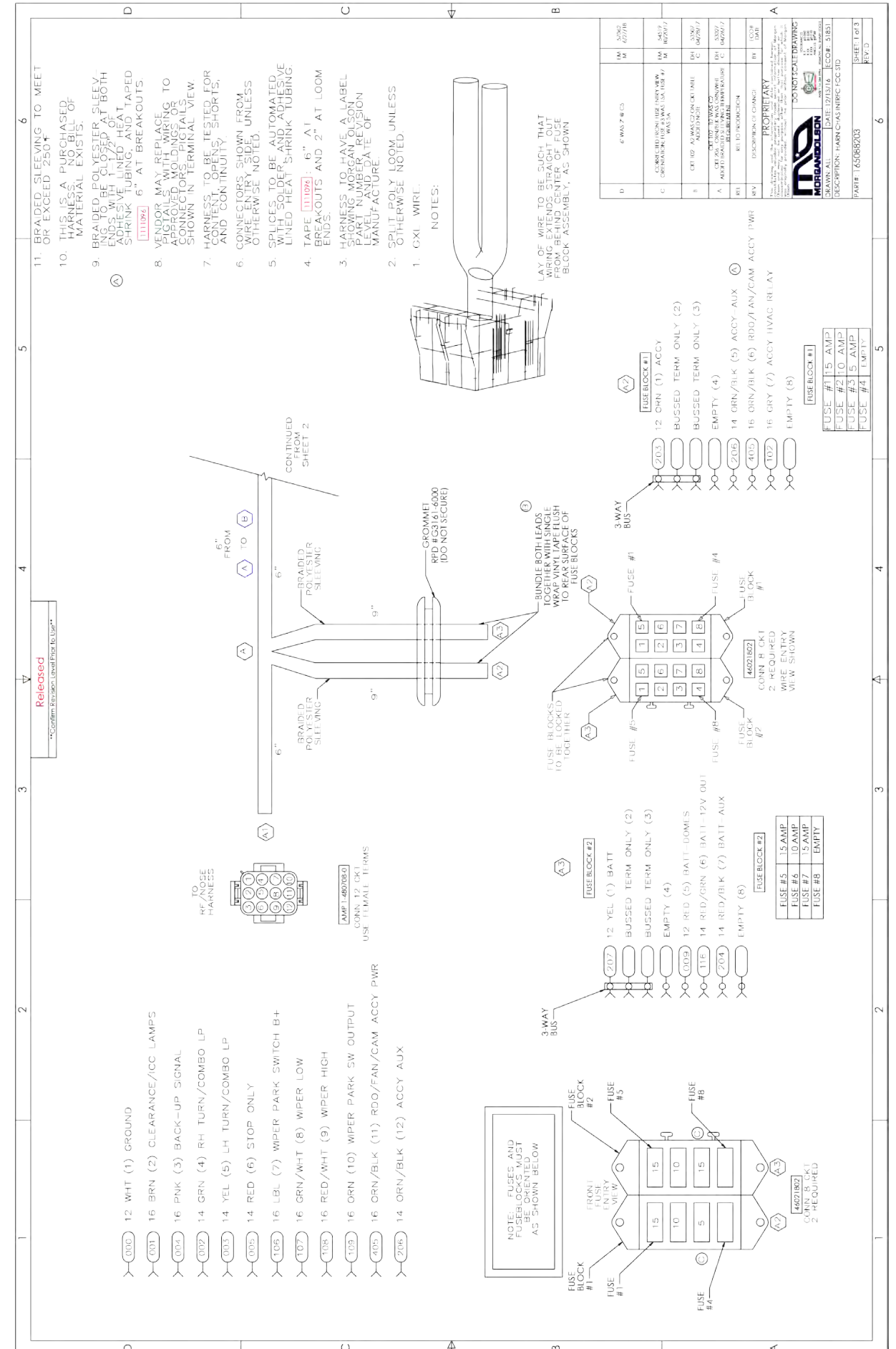
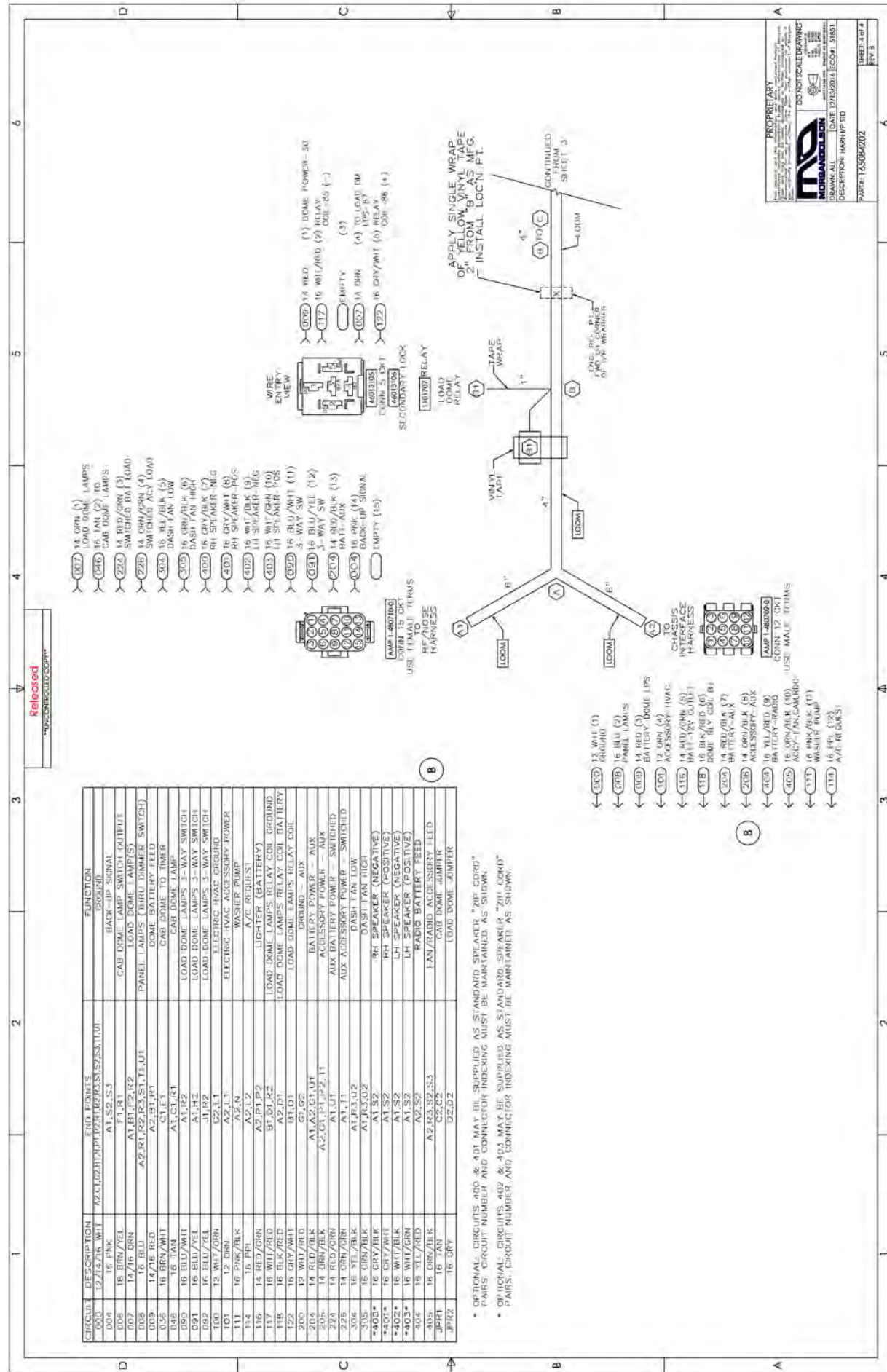
LENGTHS APPLY FROM BREAKOUT TO BREAKOUT, OR BREAKOUT TO WIRE ENTRY SIDE OF CONNECTOR.

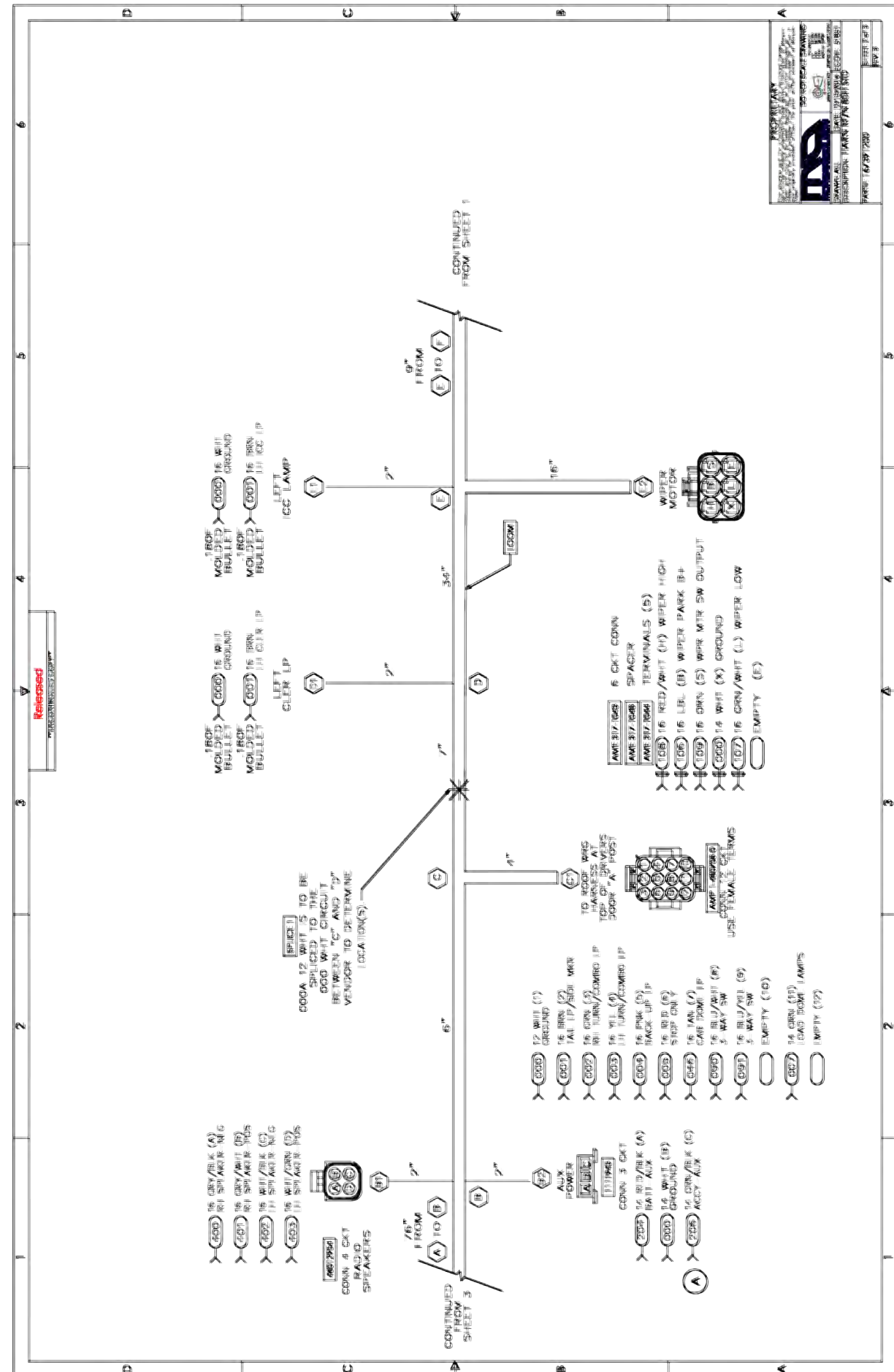
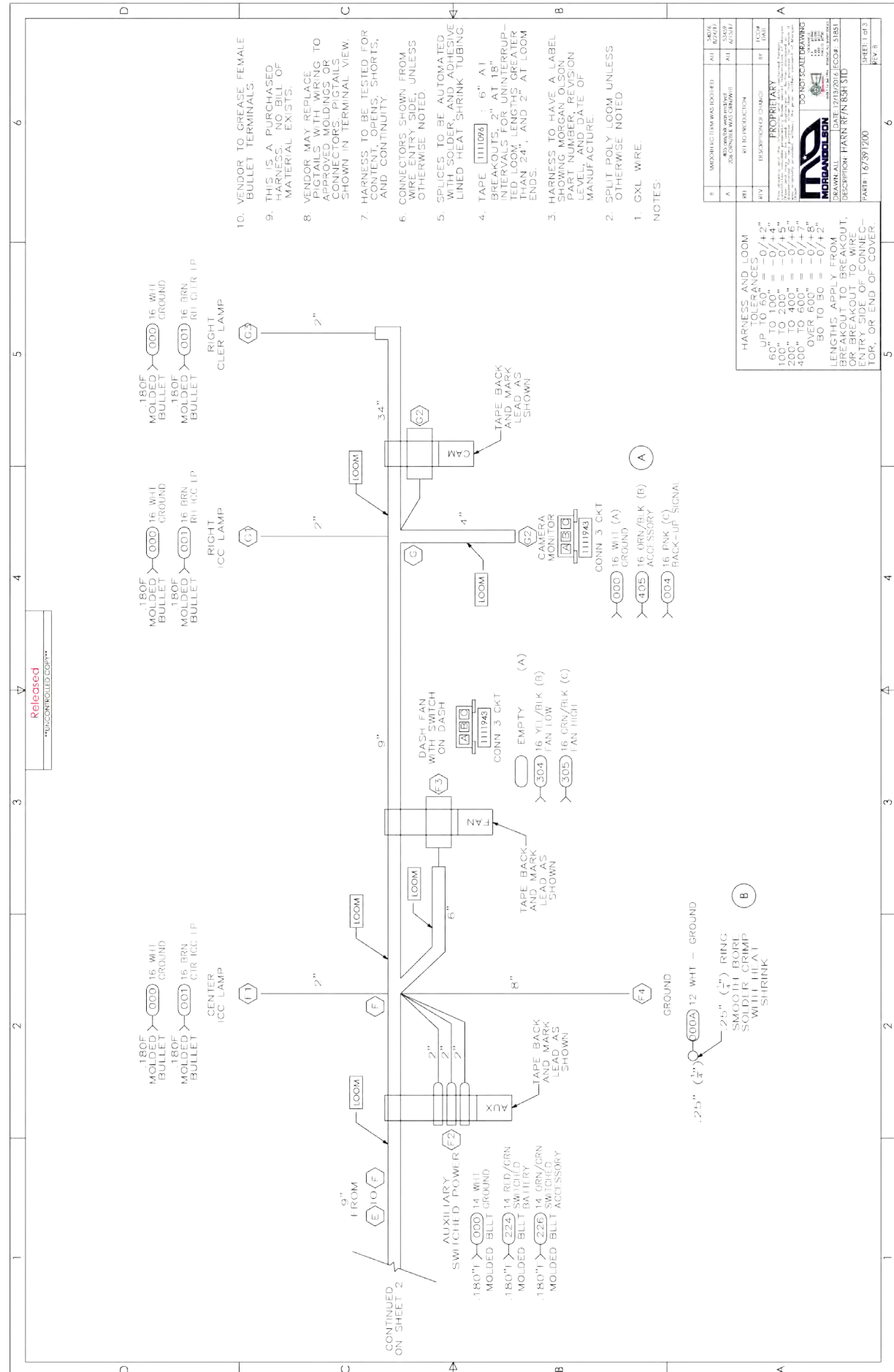
FIRST USE:
JV000739
BASED ON:
082092202

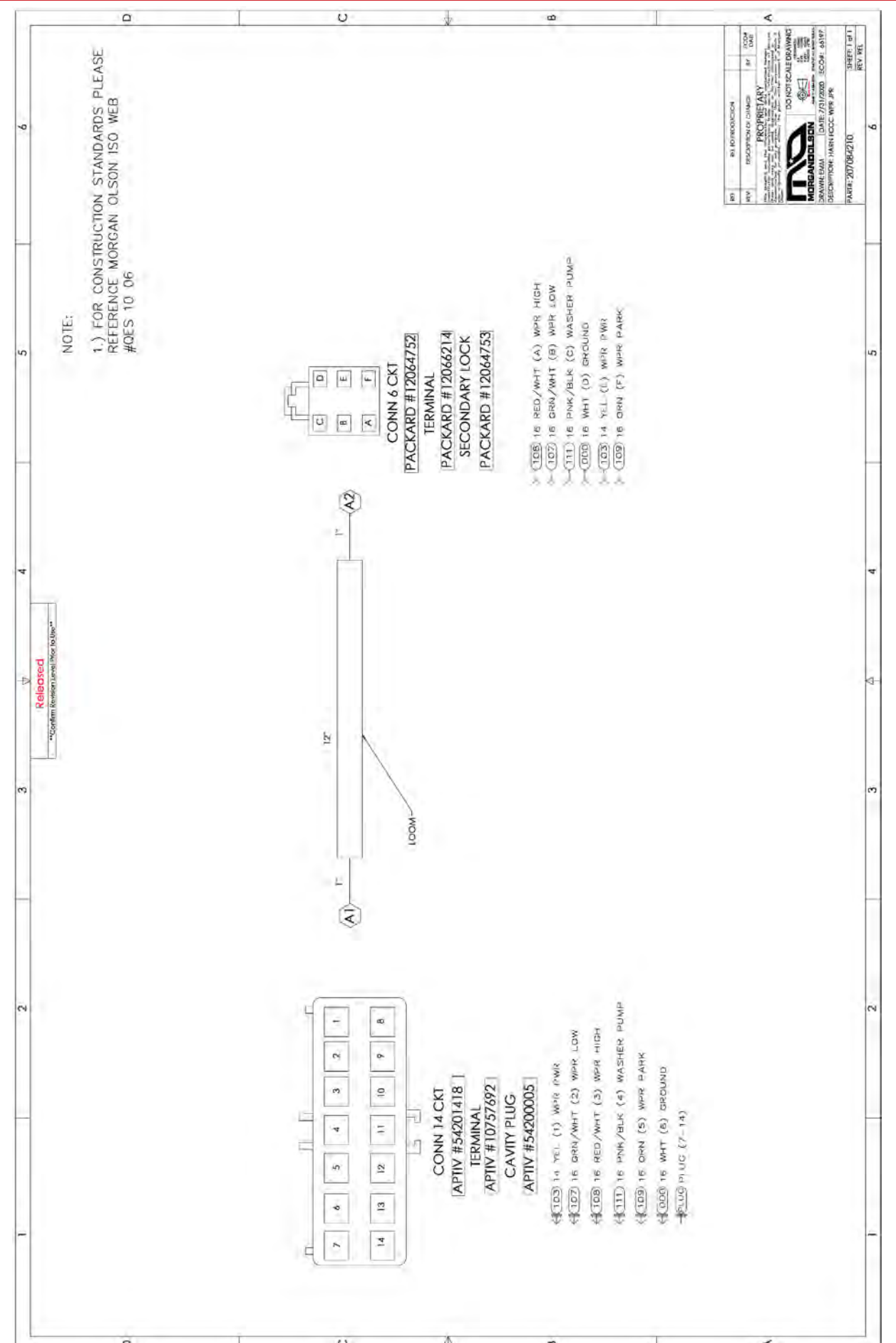
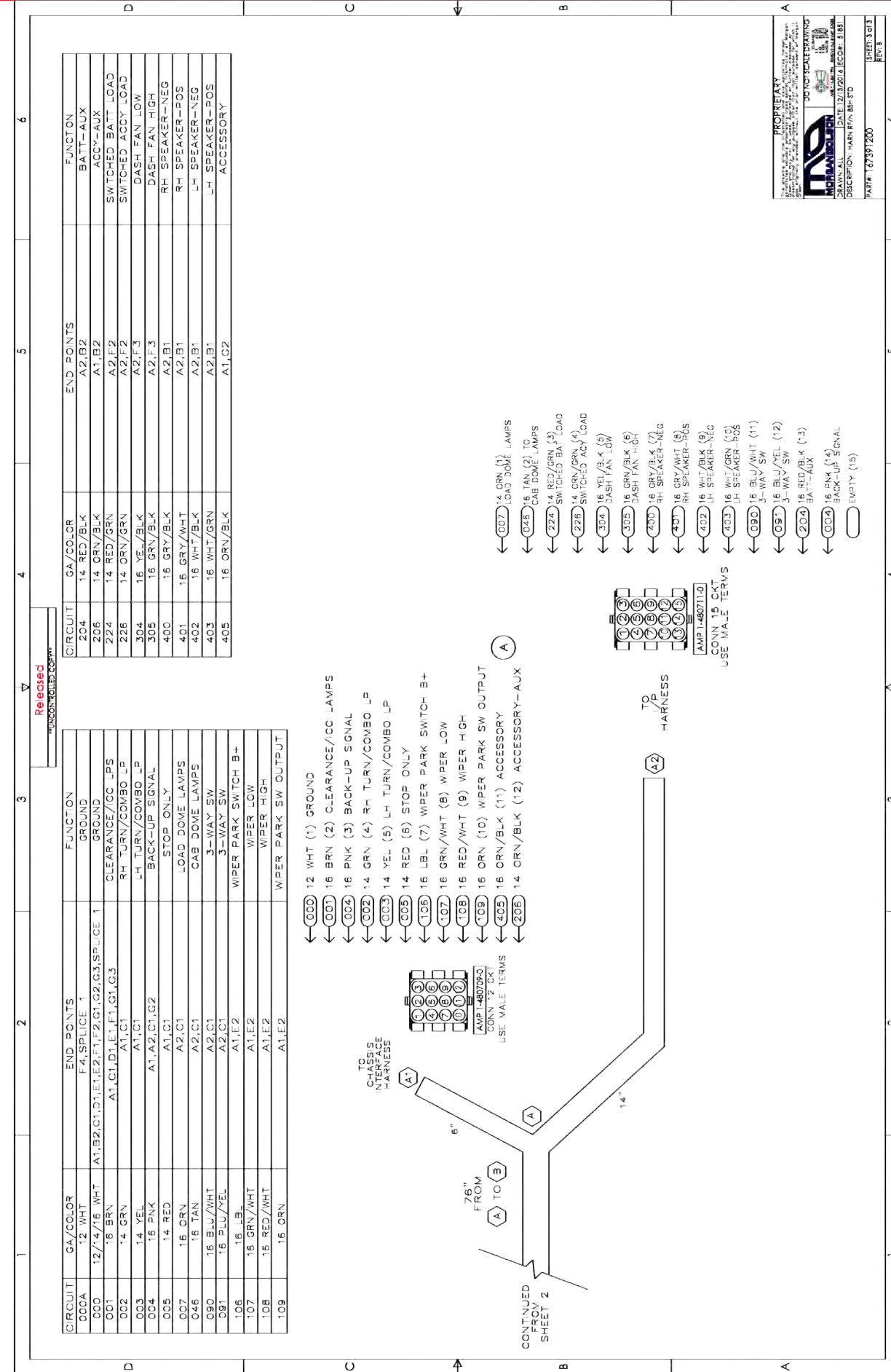


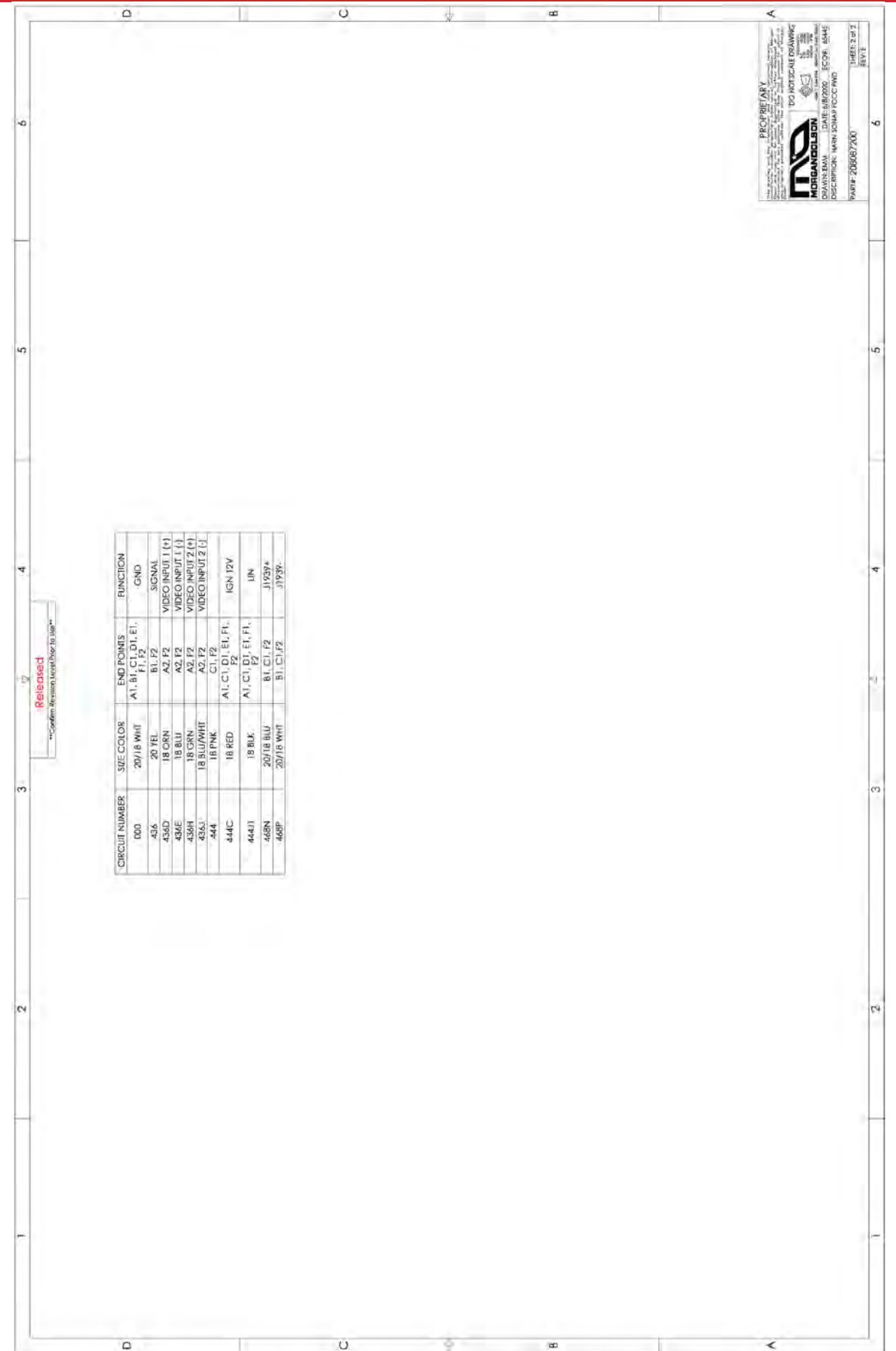
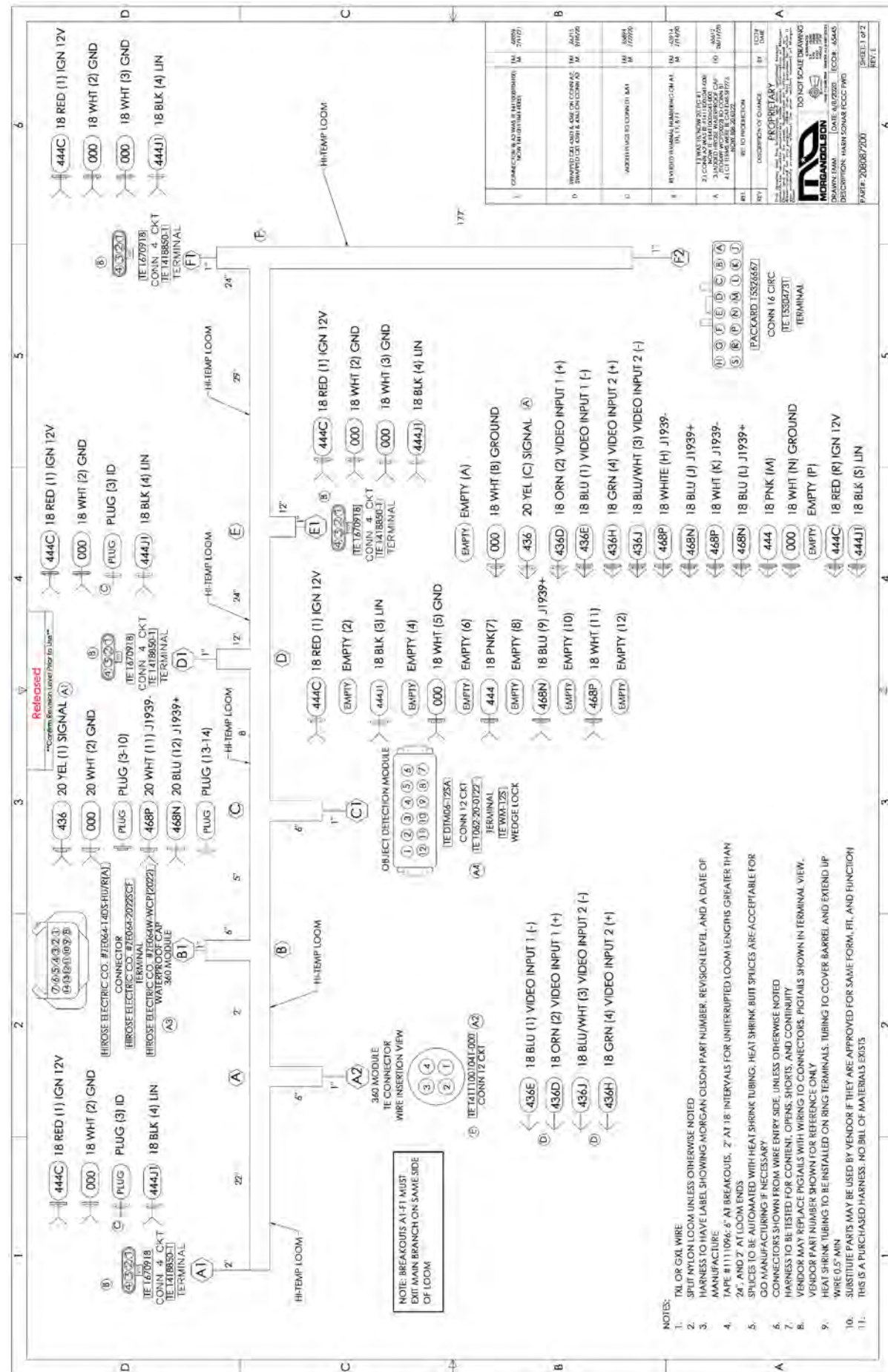


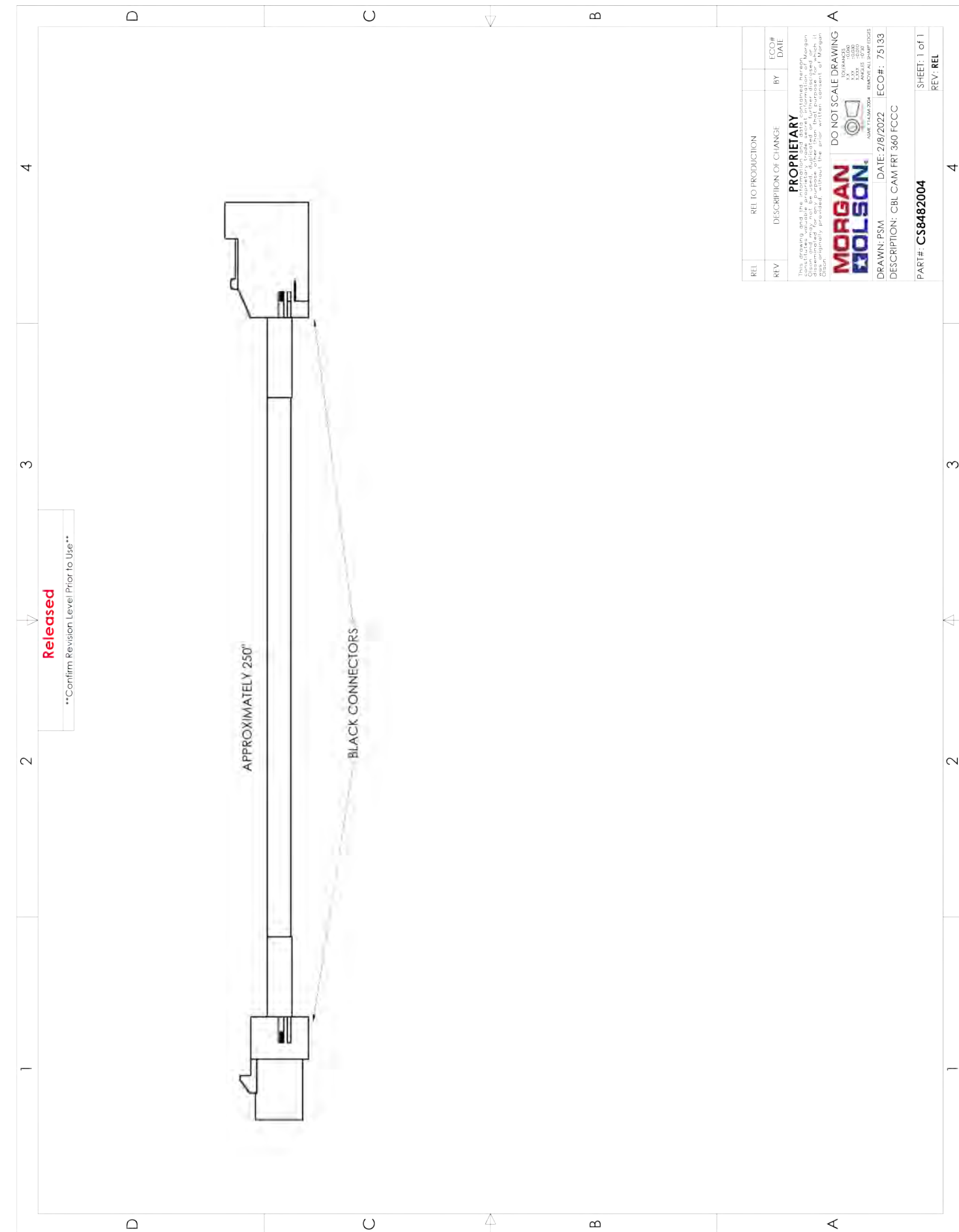
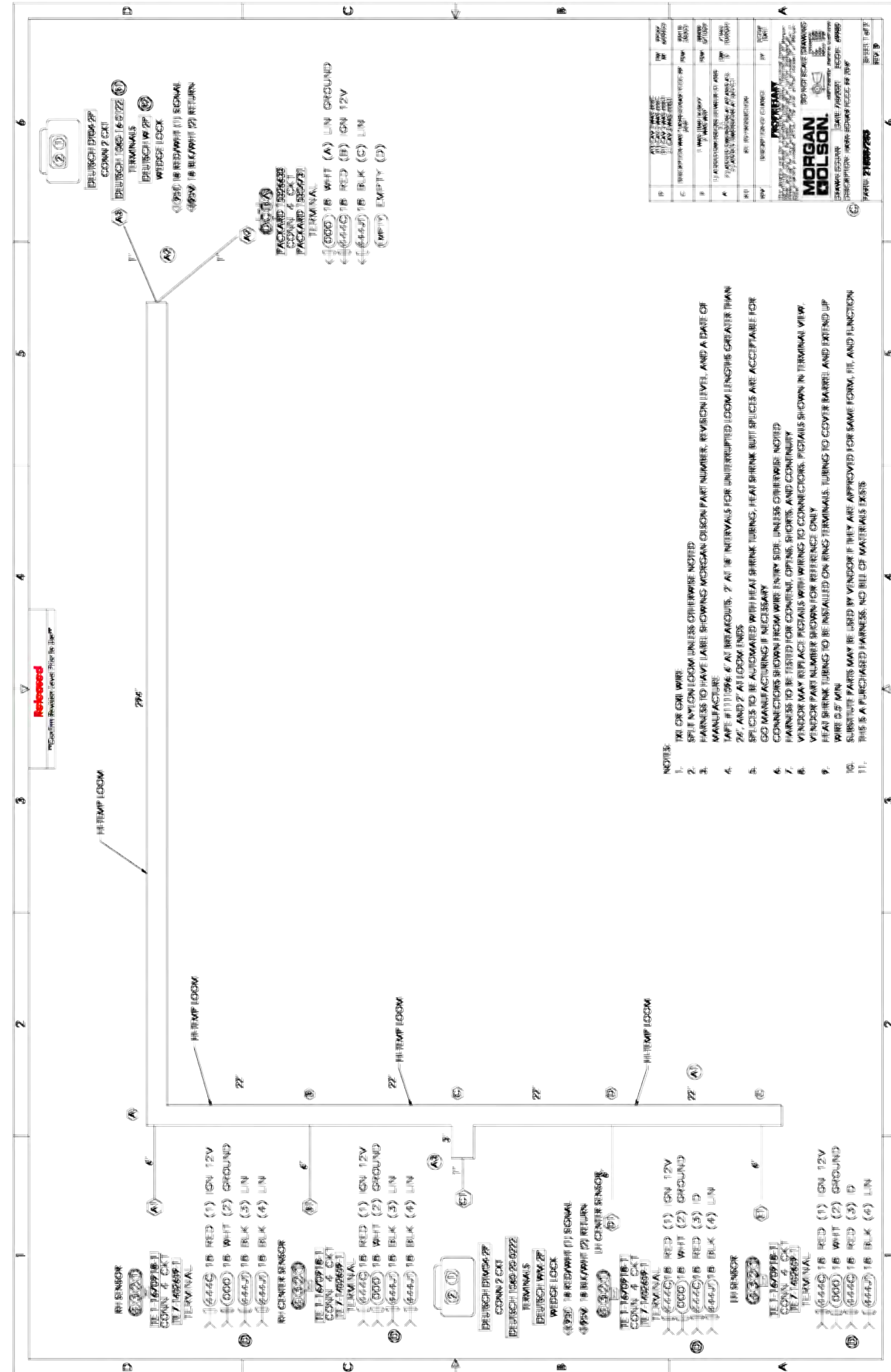


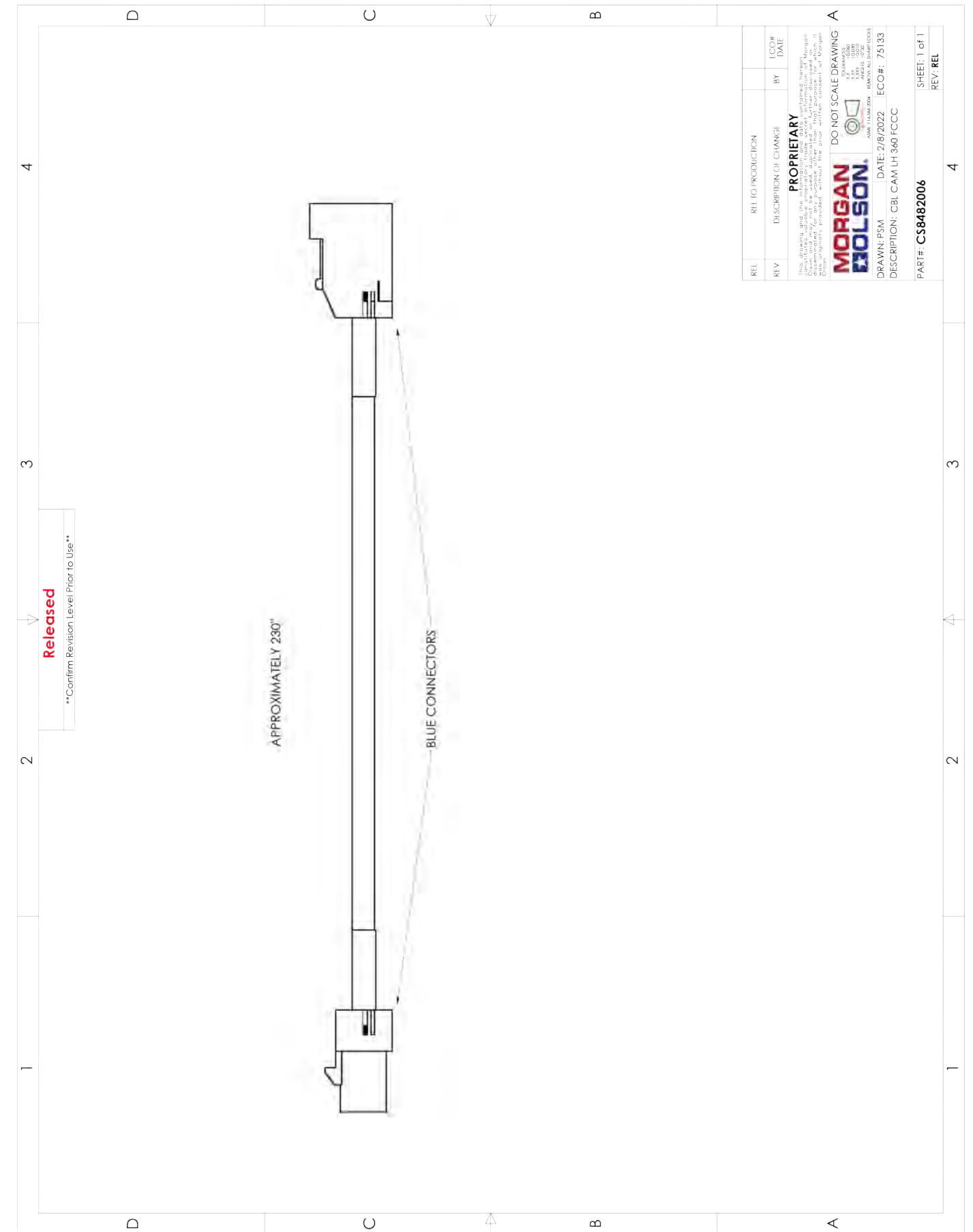
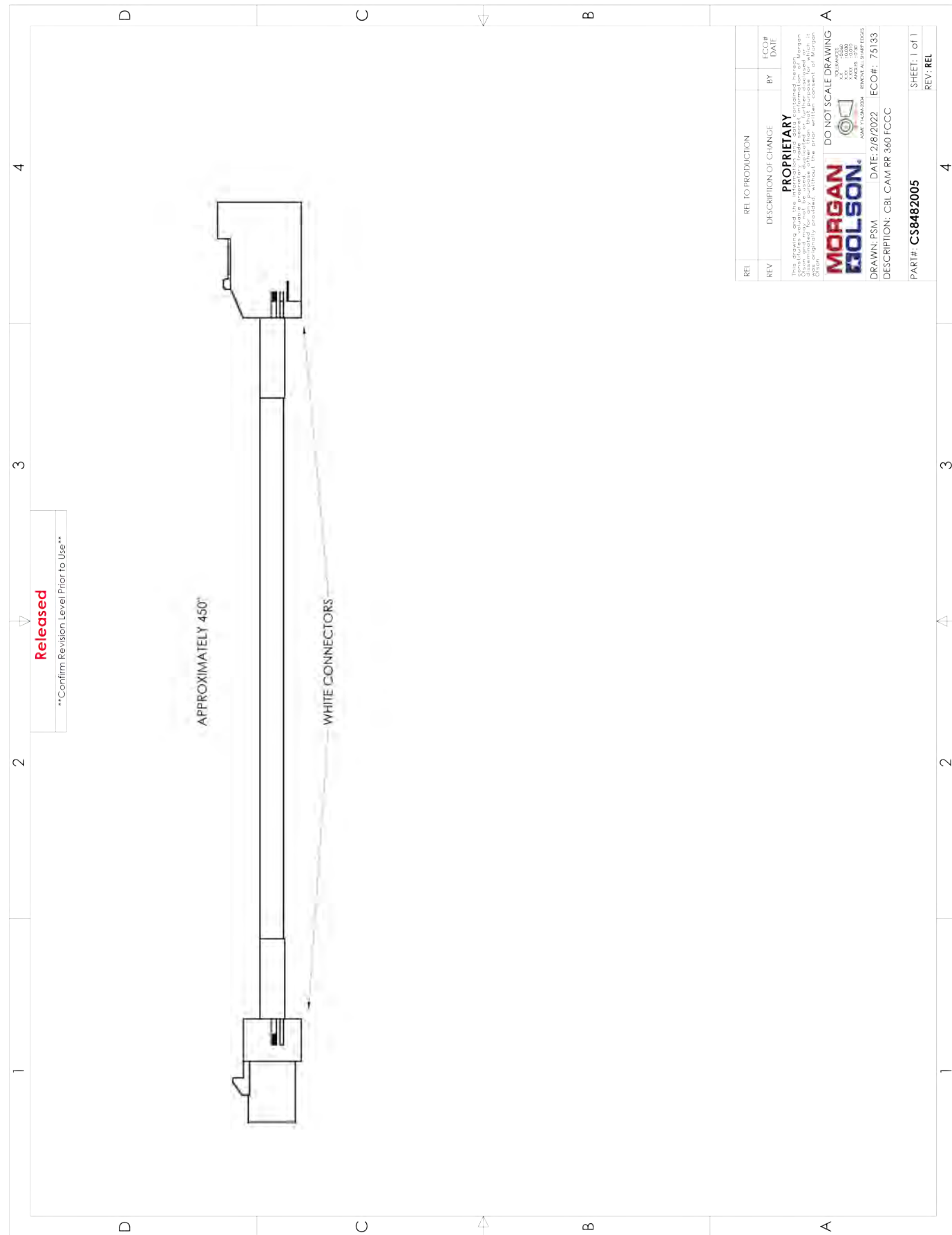


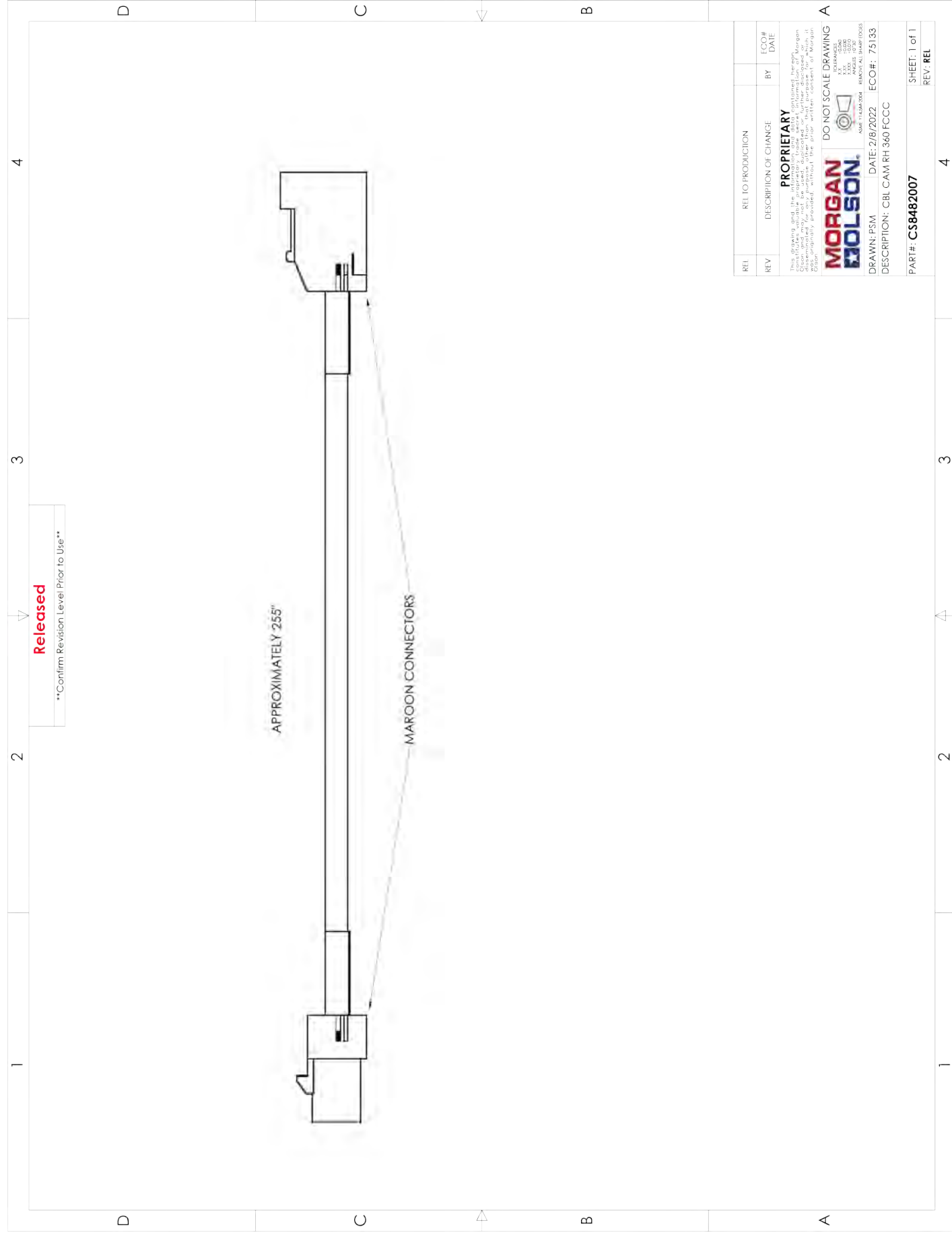












Released

Confirm Revision Level Prior to Use

REL	REL TO PRODUCTION	BY	ECO#	DATE
REV	DESCRIPTION OF CHANGE	PROPRIETARY		
<small>This drawing and the information herein are the property of Morgan Olson and may not be used, copied, or reproduced in any form without the written consent of Morgan Olson. All rights reserved. This drawing is provided without warranty of any kind.</small>				
DO NOT SCALE DRAWING				
DRAWN: PSM DATE: 2/8/2022 ECO#: 75133 DESCRIPTION: CBL CAM RH 360 FCCC PART#: CS8482007				
				SHEET: 1 of 1
				REV: REL

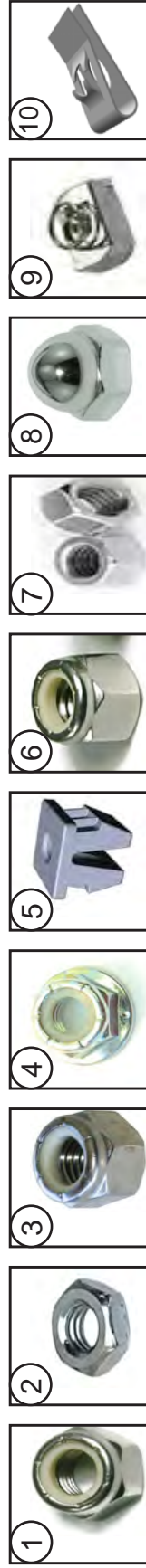
HEX CAP SCREWS



Size	Description	Thread	Lengths														
			.62	3/4"	1"	1-1/4"	1-1/2"	1-3/4"	2"	2-1/2"	3"	3-1/4"	4"				
1/4" Hex Cap Screw	Standard																
1/4" Hex Cap Screw	GR5 ZC/RO	20															
1/4" Hex Cap Screw	GR5 ZC/RoHS	20															
1/4" Hex Cap Screw	18-8 Stainless	20															
1/4" Hex Cap Screw	ASTM F593C	20															
5/16" Hex Cap Screw	18-8 Stainless	18															
5/16" Hex Cap Screw	GR8 ZC/Y	18															
5/16" Hex Cap Screw	ASTM F593	18															
5/16" Hex Cap Screw	GR5 ZC/R	16															
3/8" Hex Cap Screw	GR8 ZC/Y	18															
3/8" Hex Cap Screw	GR8 ZC/Y	16															
3/8" Hex Cap Screw	GR5 ZC/RO	16															
3/8" Hex Cap Screw	GR5 ZC/RoHS	16															
3/8" Hex Cap Screw	ASTM F593C	16															
7/16" Hex Cap Screw	GR8 ZC/Y	20															
1/2" Hex Cap Screw	GR5 ZC/RoHS	13															
1/2" Hex Cap Screw	GR5 ZC/RO	13															
1/2" Hex Cap Screw	GR5 ZC/RoHS	13															
1/2" Hex Cap Screw	GR5 ZC	13															
5/8" Hex Cap Screw	GR5	11															

	Grade 8 Medium Carbon Alloy Steel
	Grade 5 Medium Carbon Steel
	Grade 2 Low or Medium Carbon Steel

ZC	Zinc Coated
ZP	Zinc Plated
Y	Yellow
GR	Grade
RoHS	AS9100C ISO 9001:2008
ASTM F593C	American Standards Measurements Specifications



ZP - ZINC PLATED

Standard	Thread	FIG.	#8	#10	1/4"	5/16	3/8"	.44	1/2"	DIA.
NYLON LOCKING NUT, HEX	32	1		052266						
NUT "U" SPRING .115 TO .125 PANEL	10-24	10		40301303						
NYLON LOCKING NUT, HEX ZP	24	3		1117307						
NYLON LOCKING NUT, HEX ZP	20	3		1117310						
NYLON LOCKING NUT, HEX ZP	18	3			1117838					
NYLON LOCKING NUT, HEX ZP	16	3			1117344					
LOCKING NUT HEX FLANGE .44-20 OVAL	20	4						1217003		
NUTSERT EXPANDING NYL .275 SQ	20	5		40900006						
NUT NON LOCKING	24	2		1117303						
NUT NON LOCKING	20	2			1117312					
NUT NON LOCKING	16	2				1117316				
GRADE 5										
NUT STL LK LRG FLG GD5 .31-18	18	4				40100560				
NUT STL HEX LK B ZP .5 -13 GR 5	13	1							1117283	
18-8 Stainless										
NUT SS LOCKING	32	3		1117347						
NUT SS LOCKING	24	6		1103354						
NUT SS LOCKING	20	6			1117336					
NUT SS NON LOCKING	20	7			40100044					
NUT SS ACORN LOW CROWN	20	8			40100061					
Speciality										
CHANNEL NUT WITH SPRING 1/4-20	20	9			47009988					
CHANNEL NUT WITH SPRING 3/8-16	16	9				47001001				

Genuine OEM Parts

1.800.233.4823

www.morganolsonparts.com

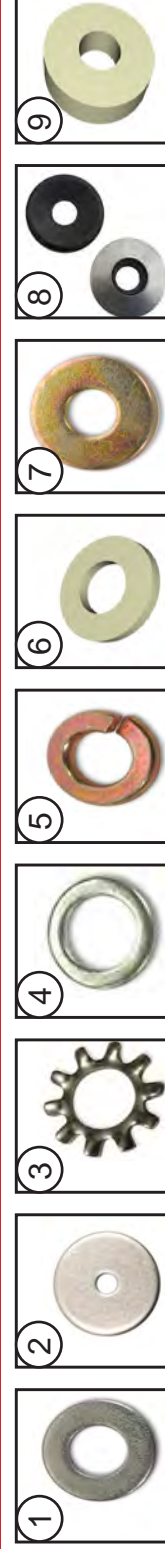


MAGNA LOCK	Diameter	Fig.	.25	.312	.375	.438	.44	.5	.562	.625	.687	.75	.875	1"	Length
HUCK R6-4	.188	1		1117084	1117061										
HUCK R8-6	.25	2		1117087											
PROTRUDING HEAD	.25	3			40200304		40200634			40200303					
FLUSH HEAD B6-4	.25	4						40200630							
RIVAL BRAIZER HEAD	.125	5		1117402	1117404	1117405		1117406							
RIVAL BRAIZER HEAD	.188	5		1117351	1117353	1117355		1117357	1117359	1117361	1117363	1117365	1117368		
RIVAL BRAIZER HEAD	.25	5						1117380	1117385	1117382	1117386	1117386	1117395		
RIVAL BRAIZER HEAD MOD	.25	5			40200213		40200214	1117409	1117410		1117408		1117390		
RIVAL FLAT HEAD	.125	7			85780100										
RIVAL FLAT HEAD	.188	7		1117434	1117436			1117438		1117440	1117442				
	.25	7													
RIVAL POP	.125	10	1117464												
RIVAL POP #10	.406	10	1117456												
RIVAL POP AD 66 BS		10			1117457										
RIVAL POP AD 68 BS								1117458							
RIVAL POP AD 610 BS										1117459					
POP AL OPEN END BLIND	.125	6			1117421										
POP AL OPEN END BLIND	.188	6	1117456									1117459			
POP CLSD BLACK		8						40200629							
SNAP FASTENER		9						40900925							
BULB TYPE BLIND w/WASHER	.188	10			40200621			40200501							

Genuine OEM Parts

1.800.233.4823

www.morganolsonparts.com



Standard	I/D	FIG.	3/8	1/2	9/16	5/8	3/4"	7/8	1"	1-1/4"	1-3/4"
#10 TYPE B FLAT WASHER ZINC/ROHS	.190	1			1117929						
#10 X 1 FENDER WASHER ZC	.190	2							1117950		
#10 EXTERNAL TOOTH LW ZC	.190	3	1117971								
1/4 EXTERNAL TOOTH LW ZC	1/4	3		1117975							
1/4 TYPE B NARROW FLAT WASHER	1/4	4			1117941						
1/4 USS FLAT WASHER ZC/ROHS	1/4	1					1117953			40300918	
1/4 F436 (A325) FLAT WASHER ZC/ROHS	1/4	1				40000047					
FLAT WASHER .060 THICK ZC/RO	1/4	1							1117952		
1/4 USS FLAT WASHER	1/4	1		1117885							
5/16 SPLIT LOCK WASHER ZC/ROHS	5/16	5	1117965								
5/16 USS FLAT WASHER ZC/ROHS	5/16	1						1117955			
3/8 USS FLAT WASHER ZC/ROHS	3/8	1						1117957			
3/8 X 1 FLAT WASHER 1/4 THK NYLON	3/8	6							40000038		
1/2 TYPE B REGULAR FLAT WASHER	1/2	1								40000050	
1/2 TYPE B REGULAR FLAT WASHER ZC	1/2	1								1117945	
1/2 TYPE B WIDE FLAT WASHER ZC/ROHS	1/2	1									1117959
Grade 8											
1/4 FLAT WASHER GR 8 ZC/Y	1/4	7							85761003		
5/16 FLAT WASHER GR 8 ZC/Y	5/16	7						1117937			
3/8 FLAT WASHER GR 8 ZC/Y	3/8	7					40000046		1117947		
7/16 FLAT WASHER GR 8 ZC/Y	7/16	7								1217002	
1/2 FLAT WASHER GR 8 ZC/Y	1/2	7							1117943	1217002	
Stainless 18-8											
#10 X 5/8 BONDED SEALER 18-8 SS	.190	8		85761250							
1/4 X 5/8 BONDED SEALER 18-8 SS	1/4	8									
3/8 X 3/4 BONDED SEALER 18-8 SS	3/8	8					40000051				
3/8 X 1" BONDED SEALER 18-8 SS	3/8	8						40000054			40000055
1/4 EXTERNAL TOOTH SS LW ZC	1/4	3		40000510							
Speciality											
WASHER NYLON .13 X .62 ID X 1.38OD	5/8	9									137147429

Genuine OEM Parts

1.800.233.4823

www.morganolsonparts.com



	Diameter	Fig.	Length																		
			.5	.625	.75	.875	1"	1-1/4"	1-1/2"	2-1/4"	3"										
18-8 Stainless																					
PHILLIPS TRUSS M/S 18-8 SS	8 - 32	1		1117716																	
PHILLIPS TRUSS M/S 18-8 SS	10 - 24	1	1117800	1117814	40300498				40300451	1117835											
PHILLIPS TRUSS M/S 18-8 SS	1/4 - 20	1		1117857	1117784					40300453	40300454										
PHILLIPS TRUSS M/S 18-8 SS	5/16 - 18	1			1117928																
PHILLIPS FLAT M/S 18-8 SS	10 - 32	2							1117830	1117900											
PHILLIPS FLAT M/S 18-8 SS	10 - 24	2		1117786						40300510											
PHILLIPS FLAT M/S 18-8 SS	1/4 - 20	2			40300809				1117782	40300634				40300630	40300631	40300638					
PHILLIPS FLAT M/S 18-8 SS	3/8 - 16	2										1117789									
PHILLIPS ROUND M/S 18-8 SS	10 - 24	6			1117209																
6 LOBE PAN T/C M/S 18-8 SS	1/4 - 20	9							1117815												
Standard Steel RoHS																					
PHILLIPS ROUND M/S ZC/ROHS	8 - 32	6								1117839											
PHILLIPS PAN TEKS/3 ZC/ROHS	10 - 16	5			1117674																
PHILLIPS TRUSS M/S ZC/ROHS	10 - 24	1																		1117793	
PHILLIPS TRUSS M/S ZC/ROHS	10 - 32	1	1117723		1117688				1117715												
T/C - Thread Cutting																					
PHIL PAN T/S TYPE A ZC	10	8																			
PHIL TRUSS T/S TYPE A BLK	10	4							1117680												
PHIL PAN T/S TYPE A BLK	10	7							40300101												
PHIL PAN T/S TYPE A ZC	12	8							40300503												
6 LOBE PAN T/C	1/4 - 20	9		85743152	1117668				40300922					1117684							



T/C Thread Cutting 6 Lobe Type A

Genuine OEM Parts

1.800.233.4823

www.morganolsonparts.com

