



# MATCO TOOLS BODY

## Parts Catalog

JV004218



Published 01.2024  
[www.morganolsonparts.com](http://www.morganolsonparts.com)



TABLE OF CONTENTS	2
INTRODUCTION	3
CAB & ENGINE BOX	4-5
HOOD ASSEMBLY	6-7
FRONT FRAME & WINDSHIELD	8
STEP ASSEMBLY	9
HEATER	10-11
INSTRUMENT PANEL	12
SEATS	13
FLOOR	14
ROOF	15
SIDES	16-17
SIDE DOOR	18
SIDE DOOR POCKET	19
SIDE ROLL UP WINDOW	20-21
ROLL UP WINDOW STIFFENERS & FILLERS	22
BACK	23
REAR SWING DOORS	24
BULKHEAD	25
MIRRORS	26
WINDSHIELD WIPERS	27
LIFTGATE	28
MISCELLANEOUS	30
ELECTRICAL	31
WIRING HARNESS	32
WIRING DIAGRAMS	33-54
COMMON WALK-IN VAN FASTENERS	56-60

This parts guide contains illustrations and part numbers for American Custom Design Vehicles on MT-55 and applies to bill of material JV004218 produced in 2023.

## How to order parts from Morgan Olson.

The first step is to locate the part numbers you would like to order.

### Method 1 (Recommended)

Go to our parts web site, [www.morganolsonparts.com](http://www.morganolsonparts.com) and search your vehicle VIN number to get a list of parts generated directly from your vehicles Bill of Material.

You can filter the list of items further by selecting the category for the location of the parts. IE. Bumper, Hood, Glass, Rear Door, etc.

You may change the search drop down menu to search by part number, description, unit number or VMRS number.

### Method 2

Use this parts catalog to identify your part numbers.

Then go to [www.morganolsonparts.com](http://www.morganolsonparts.com) and search by part number to get pricing availability, add the items to your shopping cart.

### Method 3

Call our Parts Department at 1-800-233-4823.

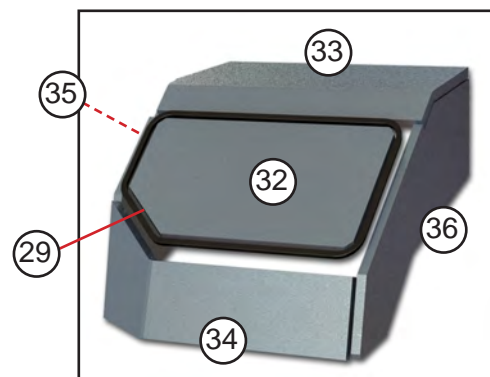
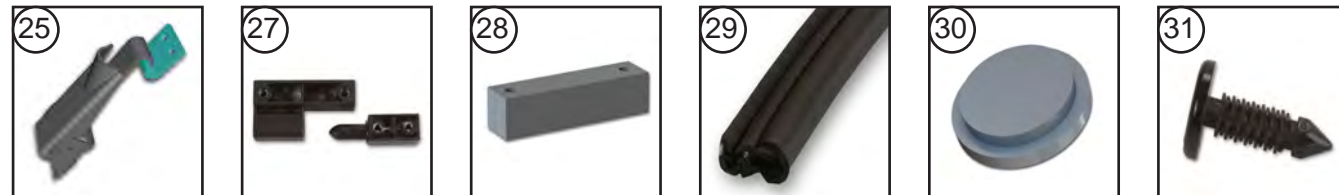
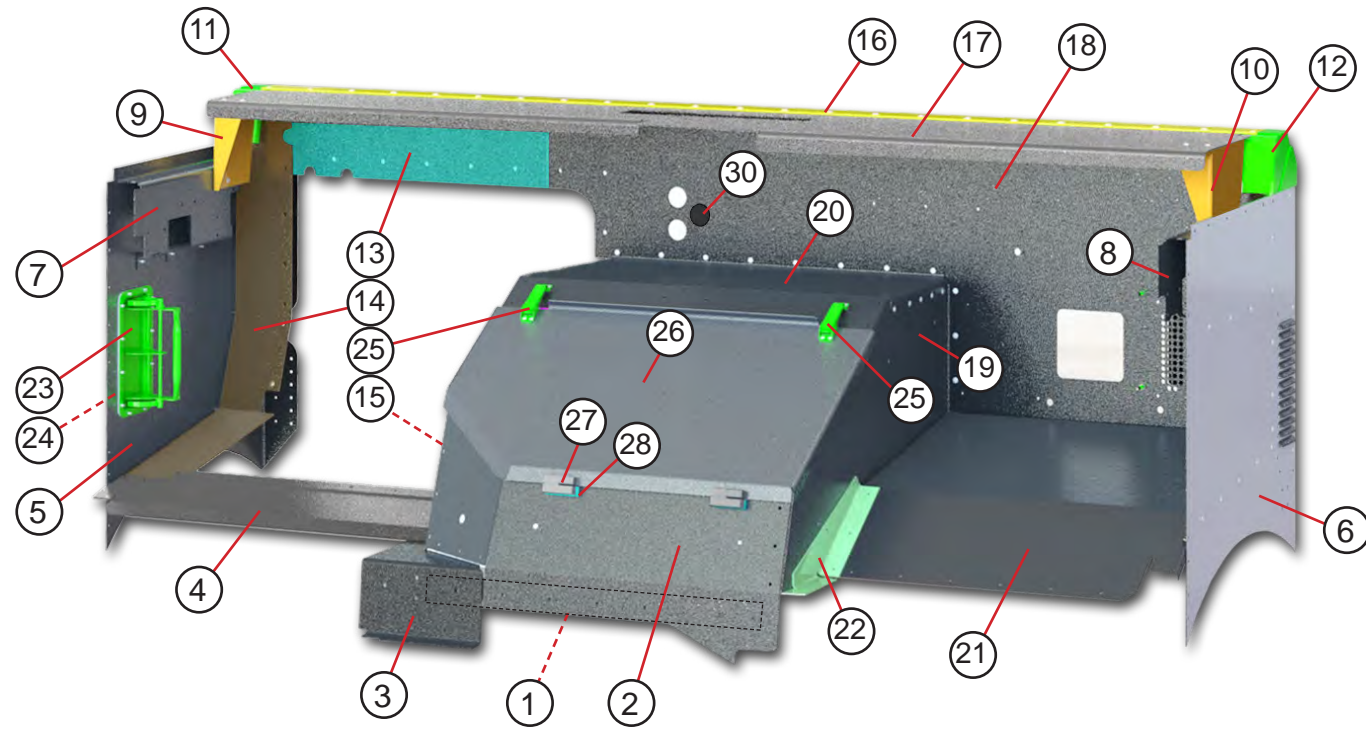
Please have your VIN number available and one of our customer service representatives will be able to help you identify the parts you need.

\*If you already know the part numbers for the items you want to order, use our Quick Order page to enter your part numbers and quantities, then click add to cart. [www.morganolsonparts.com/quick-order](http://www.morganolsonparts.com/quick-order)

FOR WARRANTY INFORMATION CALL 1-800-262-3437

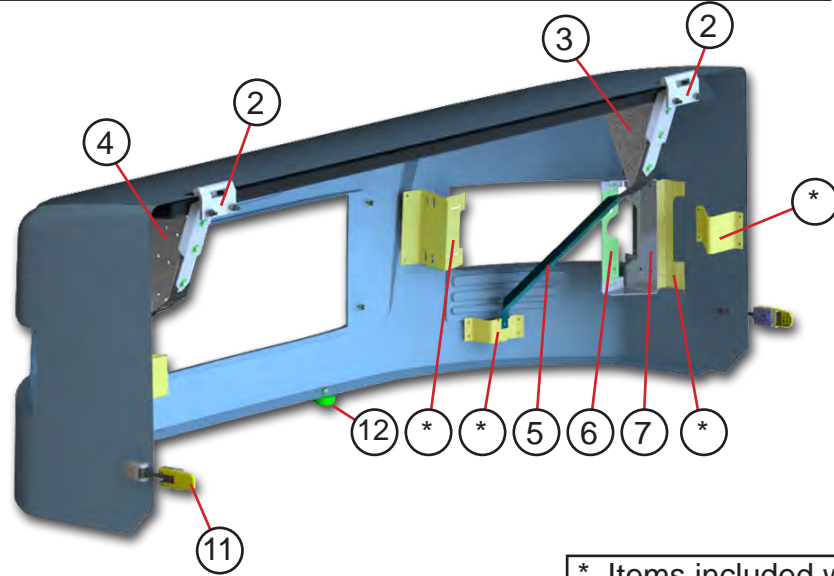
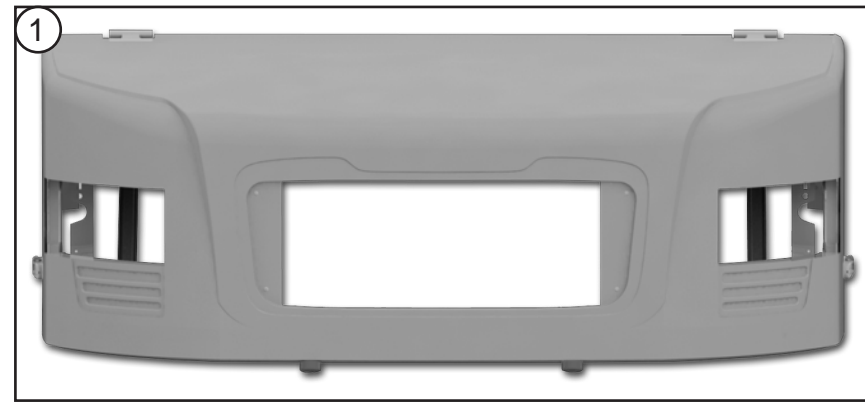
ANY QUESTIONS OR CONCERNS SHOULD BE DIRECTED TO YOUR SERVICE PARTS REPRESENTATIVE AT 1-800-233-4823

At Morgan Olson, our quest for quality and safety is ongoing and therefore the specifications on the product described herein may vary over time. Please contact Morgan Olson for the latest product information and available safety features and options.

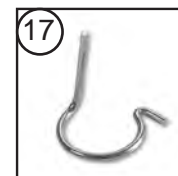
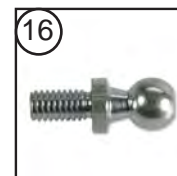
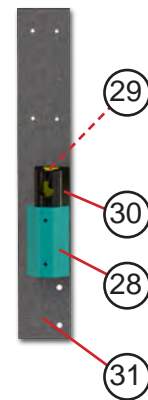
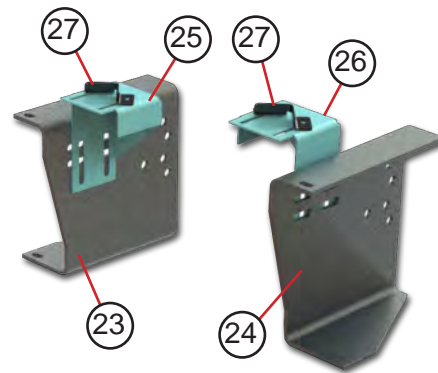
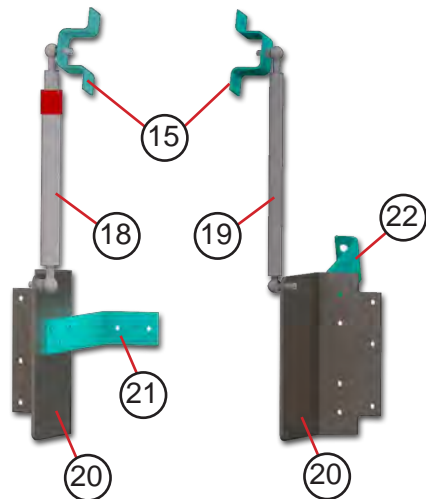


Engine Box Insulation

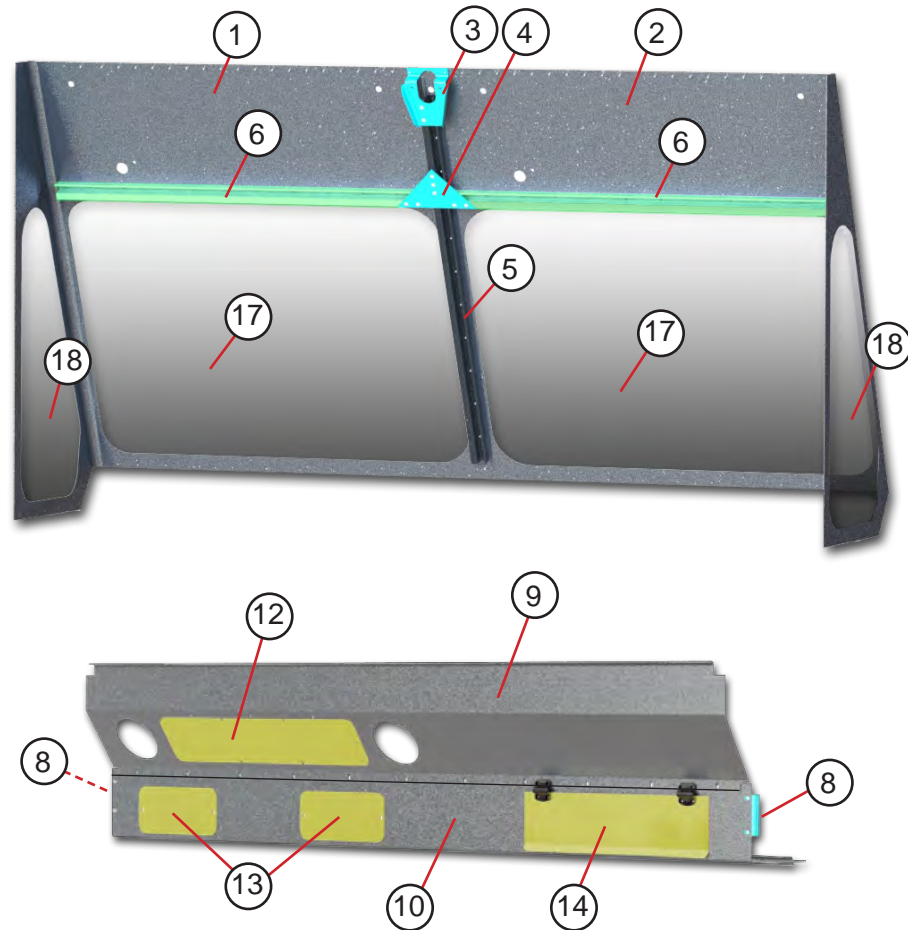
Item #	Part #	Description	Qty	Unit
1	<a href="#">077050402</a>	Shim AL .25X1.63X20.8	1	EA
2	<a href="#">190005400</a>	Engine Box Saddle AL .125X20.41X33.26	1	EA
3	<a href="#">187005416</a>	Filler Saddle Lower AL .125X11X14.98	1	EA
4	<a href="#">188005401</a>	Toeboard 93W AL .125X8.48X32.59 LH	1	EA
5	<a href="#">197005423</a>	Cab Skirt AL .07X27.28X30.57 LH	1	EA
6	<a href="#">197005428</a>	Cab Skirt AL .07X27.28X30.57 RH	1	EA
7	<a href="#">217005420</a>	Stiffener Windshield AL .125X12.62X17.81 LH	1	EA
8	<a href="#">217005421</a>	Stiffener Windshield AL .125X12.62X17.81 RH	1	EA
9	<a href="#">177005411</a>	Support Windshield Rail AL .102X8.26X9.65 LH	1	EA
10	<a href="#">177005412</a>	Support Windshield Rail AL .102X8.26X9.65 RH	1	EA
11	<a href="#">8502000</a>	Corner Casting AL W/S LH	1	EA
12	<a href="#">8502001</a>	Corner Casting AL W/S RH	1	EA
13	<a href="#">187005413</a>	Dash Wall AL .125X8.73X27.29 LH	1	EA
14	<a href="#">188005402</a>	Dash Toeboard AL .125X7.1X44.47 LH	1	EA
15	<a href="#">190005401</a>	Engine Box Side AL .102X19.64X30.51 LH	1	EA
16	<a href="#">220005402</a>	Rail Windshield 93W AL 450374X89	1	EA
17	<a href="#">217005432</a>	Dash Shelf 93W AL .125X13.73X89	1	EA
18	<a href="#">217005442</a>	Dash Wall Heater AL .125X25.89X63.86	1	EA
19	<a href="#">190005403</a>	Enging Box Housing AL .102X22.53X32.55 RH	1	EA
20	<a href="#">217005431</a>	Engine Box Top AL .125X15.86X33.58	1	EA
21	<a href="#">188005422</a>	Dash Panel AL .102X28X29.44 RH	1	EA
22	<a href="#">077050406</a>	Gusset Dash Panel AL .125X5.23X14.88 RH	1	EA
23	<a href="#">47008545</a>	Vent AL 2-Way Hingeless	1	EA
24	<a href="#">47008548</a>	Gasket Vent #47008545	1	EA
25	<a href="#">47000932</a>	Latch Adjustable Draw	2	EA
26	<a href="#">198028410</a>	Lid Engine Box AL .102X19.33X34.47	1	EA
27	<a href="#">47007859</a>	Hinge Offset	2	EA
28	<a href="#">117028400</a>	Shim - Enging Box Hinge	2	EA
29	<a href="#">1107270</a>	Seal Trim - Engine Box	8	FT
30	<a href="#">46001404</a>	Plug Dash wall 1.625"	1	EA
31	<a href="#">47006630</a>	Clip Plastic Round Head 1.32-1.34	12	EA
32	<a href="#">188028404</a>	Insulation Engine Box Lid 13.88X27.63	1	EA
33	<a href="#">188028405</a>	Insulation Engine Box Top 13.89X32.42	1	EA
34	<a href="#">188028406</a>	Insulation Engine Box Front 12.23X31.3	1	EA
35	<a href="#">188028407</a>	Insulation Engine Box Side 17.38X25.3 LH	1	EA
36	<a href="#">188028408</a>	Insulation Engine Box Side 17.54X29.8 RH	1	EA



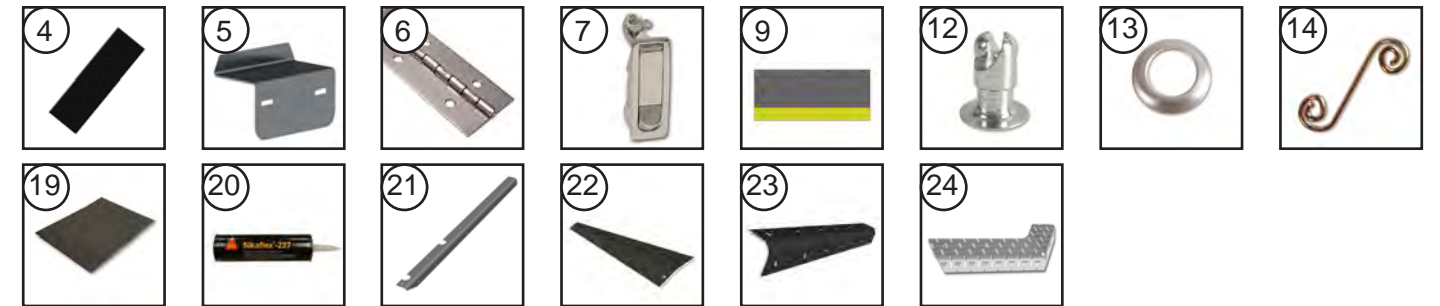
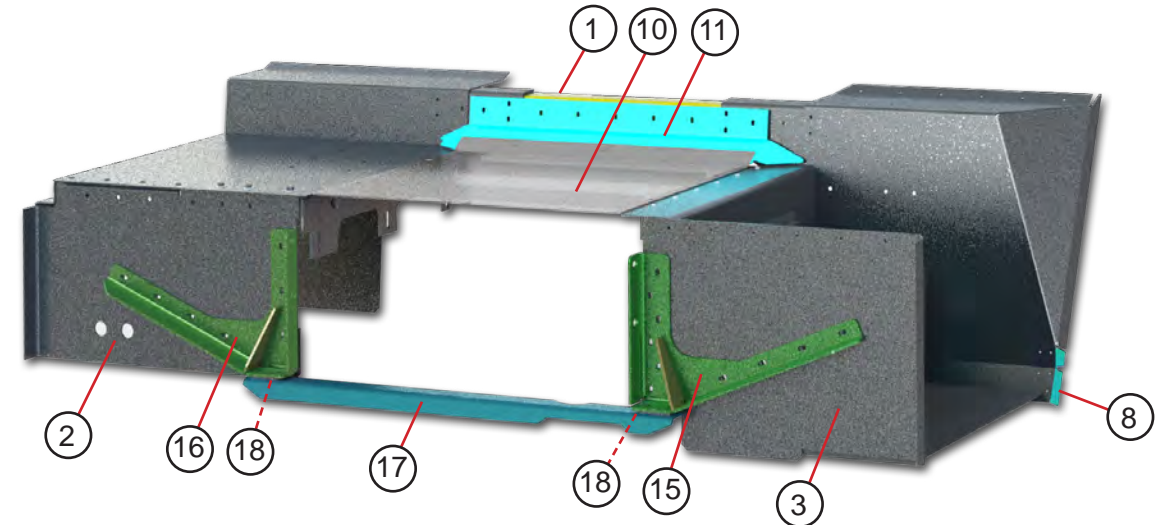
\* Items included with Hood Shell



Item #	Part #	Description	Qty	Unit
1	<a href="#">088017014</a>	Hood Installation 93W Fiberglass M2	1	EA
2	<a href="#">088017262</a>	Hinge Assembly M2 Heavy Duty	2	EA
3	<a href="#">168017205</a>	Bracket Hinge Weldment RH	1	EA
4	<a href="#">168017206</a>	Bracket Hinge Weldment LH	1	EA
5	<a href="#">178017403</a>	Brace Hood AL .102X2.84X27.25	2	EA
6	<a href="#">006017430</a>	Plate Mounting AL .102X2.7X11.75	2	EA
7	<a href="#">006017429</a>	Bracket Lamp AL .102X5.76X19.68	2	EA
8	<a href="#">006017428</a>	Bracket Lamp Angle AL .102X5.62X8	2	EA
9	<a href="#">46000307</a>	Headlamp Assembly RH	1	EA
10	<a href="#">46000308</a>	Headlamp Assembly LH	1	EA
11	<a href="#">47000614</a>	Latch Hood	2	EA
12	<a href="#">44002004</a>	Bumper Rubber Hood Rest	2	EA
N/A	CFGRILLEM2	Grill M2 Supplied by Freightliner	1	EA
N/A	CFBADGEM2	Grill Badge M2 Supplied by Freightliner	1	EA
15	<a href="#">208017403</a>	Stiffener Hat AL .125X1.38X6.78	2	EA
16	<a href="#">40900019</a>	Ball Stud 13MM	4	EA
17	<a href="#">40900020</a>	Clip - Ball Stud	4	EA
18	<a href="#">47006124</a>	Gas Spring W/Lock 200LB 20/12	1	EA
19	<a href="#">47006125</a>	Gas Spring W/O Lock 200LB 20/12	1	EA
20	<a href="#">188016400</a>	Bracket Hood Prop Steel 7GA X8.5X9.18	2	EA
21	<a href="#">228016400</a>	Brace Hood Bracket Steel 7GA X1.75X12.16	1	EA
22	<a href="#">228016401</a>	Brace Hood Bracket Steel 7GA X5.85X10.59	1	EA
23	<a href="#">109008401</a>	Frame Extension Front Steel .312X13.44X20.11 RH	1	EA
24	<a href="#">109008400</a>	Frame Extension Front Steel .312X13.44X20.11 LH	1	EA
25	<a href="#">094015401</a>	Bracket Hood Rest Steel 11GA X11.79X14.54 RH	1	EA
26	<a href="#">094015400</a>	Bracket Hood Rest Steel 11GA X11.79X14.54 LH	1	EA
27	<a href="#">96713300</a>	Angle Hood Rest Steel 11GA X1.85X4.74	2	EA
28	<a href="#">088017445</a>	Bracket Hood Stop AL .102X2.92X4	2	EA
29	<a href="#">087015400</a>	Backer Plate - Rubber Bumper AL .102X.88X6	2	EA
30	<a href="#">44002014</a>	Rubber Bumper - Hood Rest X 6.00"	2	EA
31	<a href="#">088017444</a>	Plate - Backer Hood Stop AL .188X3X19	2	EA



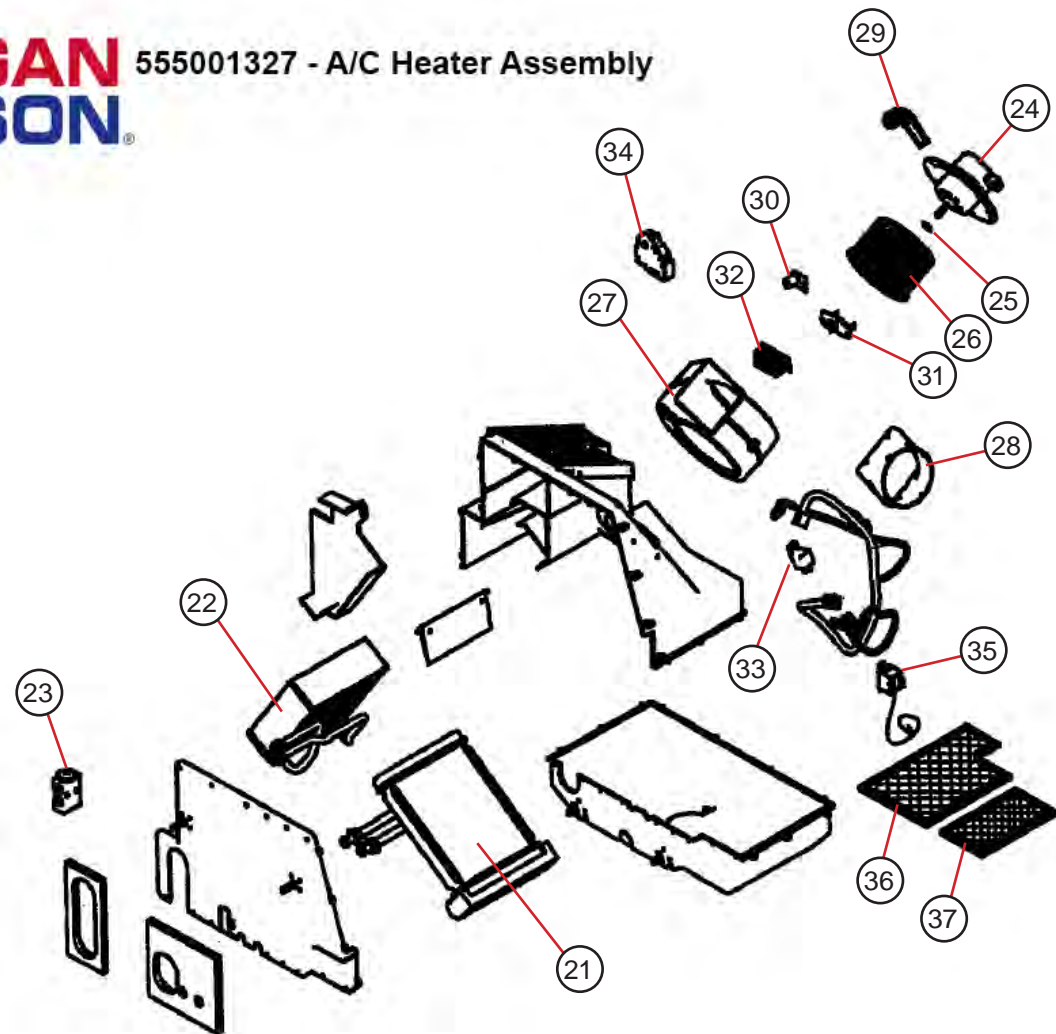
Item #	Part #	Description	Qty	Unit
1	<a href="#">177055400</a>	Frame Windshield AL .102X53.45X69.93 LH	1	EA
2	<a href="#">177055401</a>	Frame Windshield AL .102X53.45X70.25 RH	1	EA
3	<a href="#">077055402</a>	Gusset Frame W/S AL .125X6.49X7.27	1	EA
4	<a href="#">998555329</a>	Gusset Frame W/S AL .125X4.6X9.19	1	EA
5	<a href="#">077055401</a>	Post Center - Windshield AL 450540X44	1	EA
6	<a href="#">077055404</a>	Stiffener Windshield AL 450540X44.25	2	EA
7	<a href="#">47006610</a>	Clip Plastic - Flat Head .45HEADX.64	2	EA
8	<a href="#">088076449</a>	Bracket Mounting AL .102X2.36X3.9 LH	2	EA
9	<a href="#">088076438</a>	Cover Wiper Motor AL .102X14.85X87.25	1	EA
10	<a href="#">088076446</a>	Shelf Cover AL .102X17.13X90.31	1	EA
11	<a href="#">088076452</a>	Divider Shelf AL .102X9.88X10	1	EA
12	<a href="#">097076435</a>	PLT CVR ACC AL.07X6X28.38	1	EA
13	<a href="#">088076431</a>	PLT CVR WPR MTR AL.102X5X12	2	EA
14	<a href="#">088076448</a>	CVR DR COMPT AL.102X5.81X23	1	EA
15	<a href="#">47007888</a>	Hinge	2	EA
16	<a href="#">1107102</a>	Rubber Bumper	2	EA
17	<a href="#">96756400</a>	Windshield Front	2	EA
18	<a href="#">006756400</a>	Side Window Triangle Glass	2	EA
19	<a href="#">44004303</a>	Weather Strip Gasket Front X147.5"	2	EA
20	<a href="#">44004309</a>	Weather Strip Gasket Side X86.25	2	EA



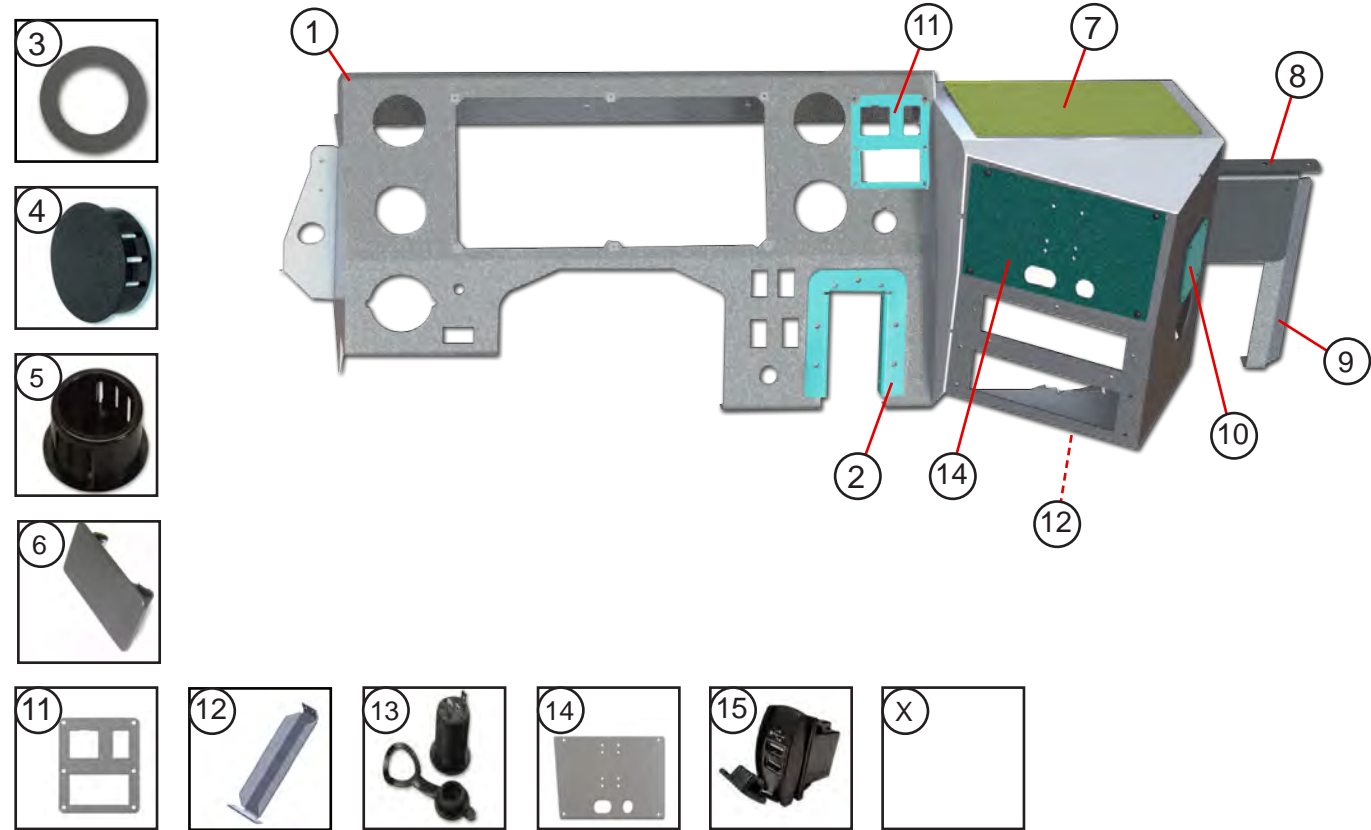
Item #	Part #	Description	Qty	Unit
1	<a href="#">077240400</a>	Cross Member Center AL 456106X41	1	EA
2	<a href="#">208024233</a>	Step Assembly Cab DLH 93W SM AL	1	EA
3	<a href="#">238024200</a>	Step Assembly Cab RH 93W SM AL	1	EA
4	<a href="#">96724608</a>	Pad Dampening Vinyl 452000X9X20	1	EA
5	<a href="#">238024401</a>	Lid - Battery Cover AL .125X22.25X23.82	1	EA
6	<a href="#">187024401</a>	Hinge AL .075X1.12X1.75X20	1	EA
7	<a href="#">45503042</a>	Latch CMPR Recessed	2	EA
8	<a href="#">107024415</a>	Plate Filler Step AL .125X4.03X4.87 RH	1	EA
9	<a href="#">098137401</a>	Plate Step Fiberglass .125X7.75X22	1	EA
9	<a href="#">098137402</a>	Plate Step Fiberglass .125X8.5X24.1	1	EA
10	<a href="#">207024202</a>	Floor Transverse Assembly SM AL FCC	1	EA
11	<a href="#">208024412</a>	Angle Floor/Trim AL .102X6.49X38.7	1	EA
12	<a href="#">40900080</a>	Stud	8	EA
13	<a href="#">40900081</a>	Grommet Half	10	EA
14	<a href="#">40900082</a>	Spring	8	EA
15	<a href="#">187006201</a>	Angle Compression Weldment FCC RH FRMD	1	EA
16	<a href="#">187006200</a>	Angle Compression Weldment FCC LH FRMD	1	EA
17	<a href="#">187006403</a>	Angle Transverse AL .25X3.38X43.01	1	EA
18	<a href="#">227006400</a>	Shim - Compression Angle AL .25X2X3	2	EA
19	<a href="#">42002055</a>	Insulation Sound Absorbing Floor Mat 60X95	1	EA
20	<a href="#">41002103</a>	Sealant / Adhesive, SIKAFLEX 227	2	EA
21	<a href="#">103019402</a>	Trim Toeboard ALD .08X2.64X37.76 LH	1	EA
22	<a href="#">083019413</a>	Trim Mat @ O-Line ALD .08X2.27X66.41	1	EA
23	<a href="#">090019403</a>	Trim Step ALD .08X2.69X26.5 RH	1	EA
24	<a href="#">208019501</a>	Trim Acoustic ALD .08X7.66X24.63 RH	1	EA



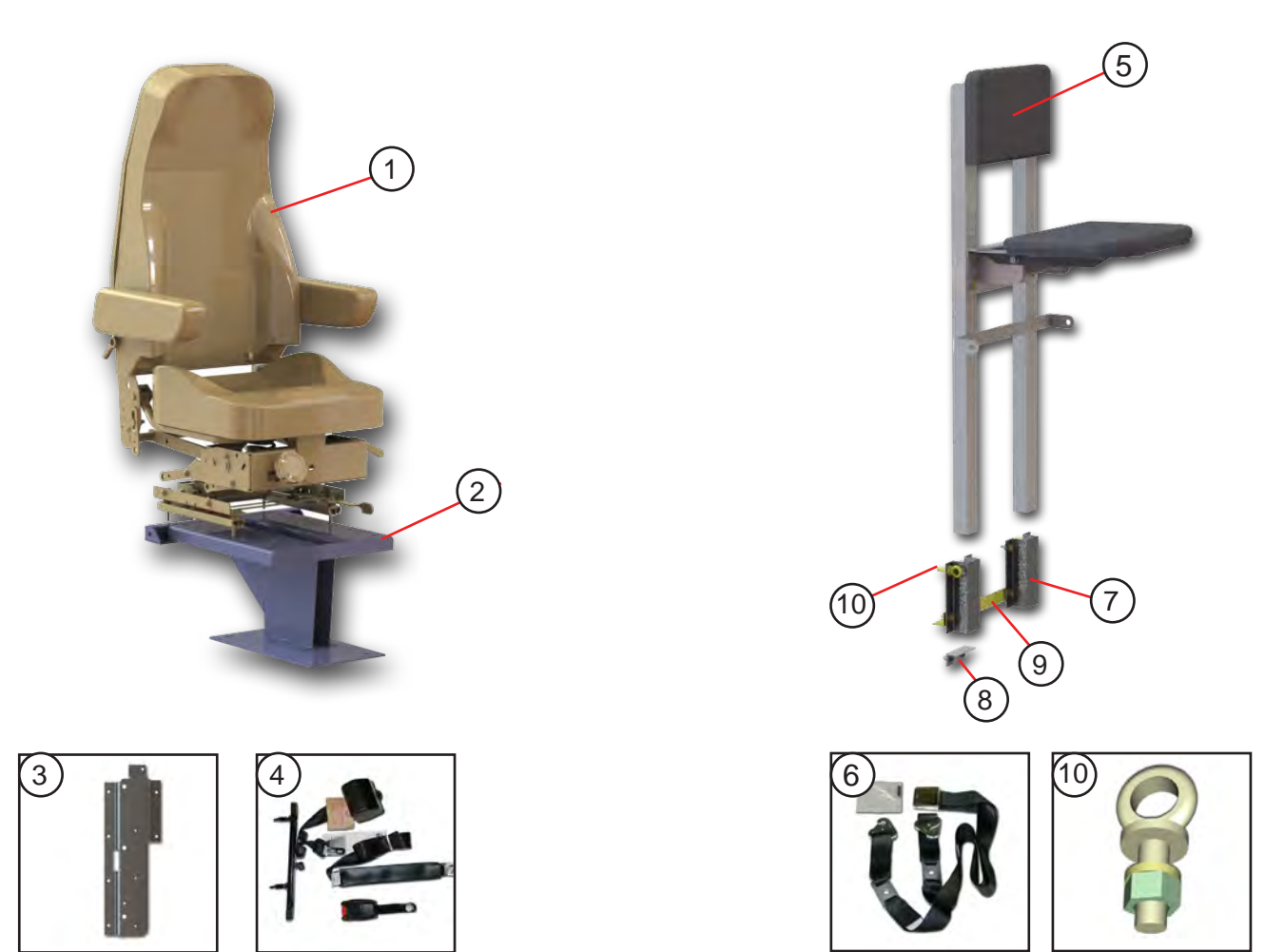
555001327 - A/C Heater Assembly



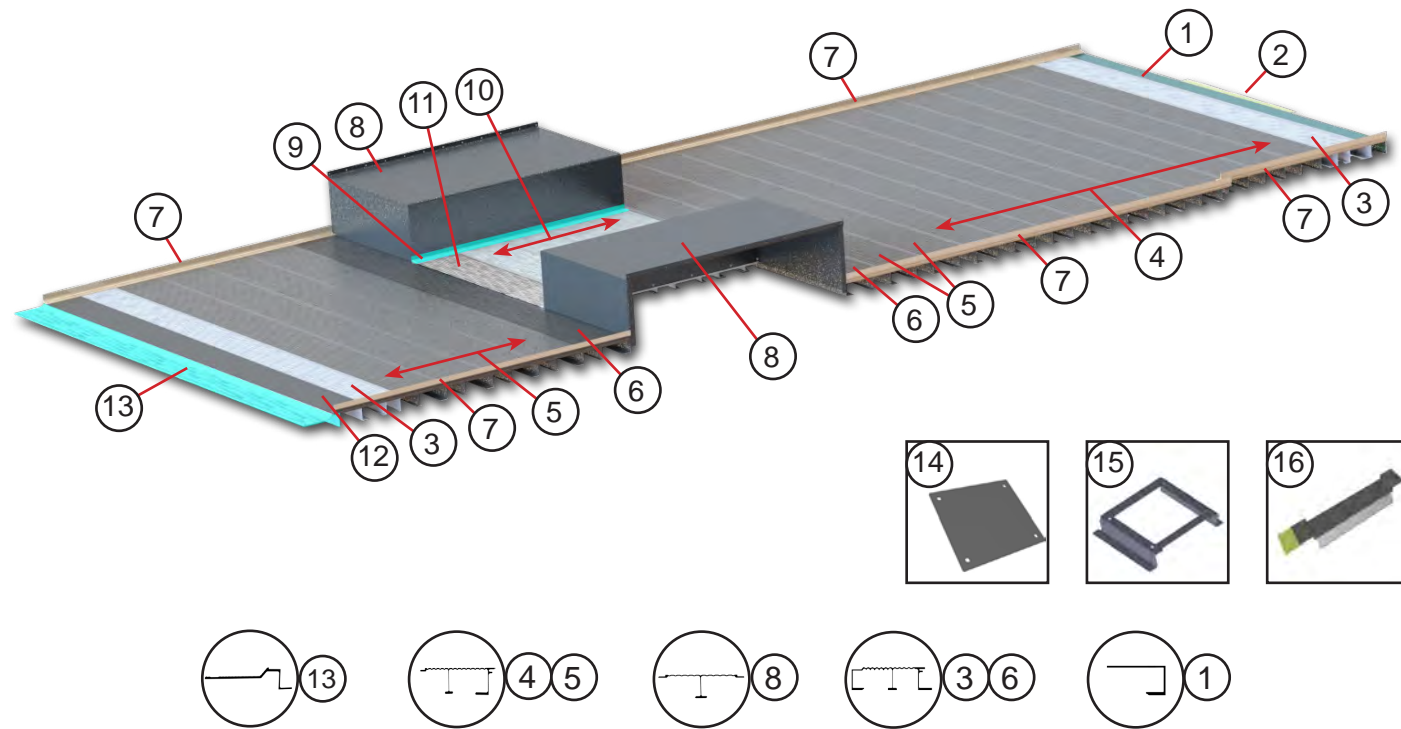
ITEM #	PART #	DESCRIPTION	QTY	UNIT
1	<a href="#">555001327</a>	Heater A/C Assembly	1	EA
2	<a href="#">555001416</a>	Panel Control HVAC	1	EA
3	<a href="#">555002057</a>	Water Valve	1	EA
4	<a href="#">220063400</a>	Bracket - Heater Control (Water Valve)	1	EA
5	<a href="#">555001723</a>	Defroster Duct RH Metal	1	EA
6	<a href="#">555001724</a>	Defroster Duct LH Metal	1	EA
7	<a href="#">093080400</a>	Plate - Hold Down (Defroster Ducts)	4	EA
8	<a href="#">555001715</a>	Louver Ball	7	EA
9	<a href="#">555001523</a>	Hose Defroster 2.5 X16"	2	EA
9	<a href="#">555001524</a>	Hose Defroster 2.5 X 30"	3	EA
9	<a href="#">555001525</a>	Hose Defroster 2.5 X 38"	2	EA
10	<a href="#">555001533</a>	Hose Blower 5 X 7.5" (Heater to Plenum)	1	EA
11	<a href="#">090080401</a>	Duct - Foot Dump (Mounting Plate 005780402)	1	EA
12	<a href="#">47008017</a>	Connector Straight .62id Black Nylon	3	EA
13	<a href="#">1107072</a>	Grommet	1	EA
14	<a href="#">555002109</a>	Drain Resistor Assembly	1	EA
15	<a href="#">555001326</a>	Duct - Hvac Heater Plenum	1	EA
16	<a href="#">47008690</a>	Hose Heater Formed 9.25"	2	EA
17	<a href="#">46026312</a>	Tie Wrap 21"	2	EA
18	<a href="#">217005437</a>	Cover Plate - Fresh Air Intake	1	EA
19	<a href="#">217005433</a>	Bracket - Fresh Air Intake	1	EA
20	<a href="#">220080005</a>	Filter Kit - Fresh Air Intake	1	EA
21	<a href="#">47008760</a>	Heater Coil W/ gaskets & Clamp	1	EA
22	<a href="#">47008763</a>	Evaporator Coil Assembly	1	EA
23	<a href="#">47008138</a>	Expansion Valve	1	EA
24	<a href="#">46032339</a>	Blower Motor	1	EA
25	<a href="#">47008799</a>	Blower Shaft Retainer Clip	1	EA
26	<a href="#">47008769</a>	Blower Wheel	1	EA
27	<a href="#">47008754</a>	Blower Housing	1	EA
28	<a href="#">47008755</a>	Blower Adaptor	1	EA
29	<a href="#">47008716</a>	Vent Tube	1	EA
30	<a href="#">47008731</a>	Vent Tube Adaptor	1	EA
31	<a href="#">47008460</a>	Resistor	1	EA
32	<a href="#">47008732</a>	Resistor Cage	1	EA
33	<a href="#">47008716</a>	Relay	1	EA
34	<a href="#">47008705</a>	Servo Motor	1	EA
35	<a href="#">47008615</a>	Thermostat	1	EA
36	<a href="#">47008624</a>	Filter	1	EA
37	<a href="#">47008625</a>	Filter	1	EA



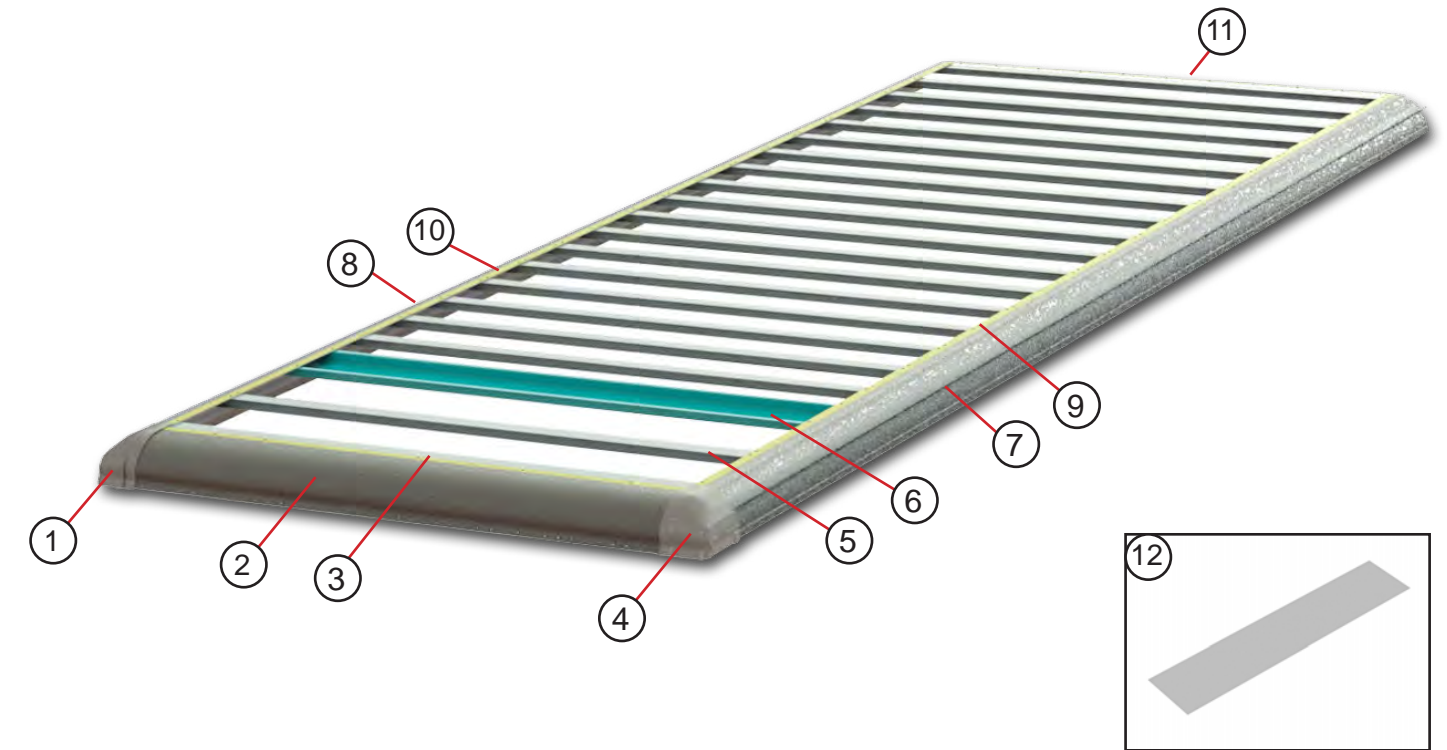
ITEM #	PART #	DESCRIPTION	QTY.	UNIT
1	228027212	Instrument Panel Weldment 30DEG W/S	1	EA
2	<a href="#">002027423</a>	Bracket Shifter Steel 11GA X4.87X6.43	1	EA
3	<a href="#">006327209</a>	Spager Ignition Switch	1	EA
4	<a href="#">44000119</a>	Hole Plug Black	1	EA
5	<a href="#">1111520</a>	Hole Plug Black	1	EA
6	<a href="#">46023506</a>	Hole Plug Rocker Switch Black	3	EA
7	<a href="#">128027421</a>	Cover Plate Access Top AL .102X9X11	1	EA
8	<a href="#">114027403</a>	Bracket Mounting AL .125X6.49X8.51	1	EA
9	<a href="#">118027414</a>	Brace AL .125X1.91X12.9	1	EA
10	<a href="#">180027410</a>	Cover Plate HVAC AL .102X3X3.46	1	EA
11	<a href="#">188027402</a>	Cover Plate I/P AL .07X4X4.88	1	EA
12	<a href="#">125027407</a>	Bracket I/P AL .102X4.32X11.06	1	EA
13	<a href="#">46026378</a>	Receptacle 12V Power W/ Tether SS Body	2	EA
14	<a href="#">198027403</a>	Plate Cover (Monitor) AL .07X5.74X8.64	1	EA
15	<a href="#">46026432</a>	Power Point USB 5V Output	1	EA



ITEM #	PART #	DESCRIPTION	QTY.	UNIT
1	<a href="#">47004301</a>	Seat - Driver Magnum 200	1	EA
2	<a href="#">47012668</a>	Seat Base - Non Tilt	1	EA
3	<a href="#">98M582030</a>	Bracket Anchor - Seat Belt	1	EA
4	<a href="#">48002690</a>	Seat Belt Black W/Boot 3Point	1	EA
5	<a href="#">47004304</a>	Head / Back Rest Jump Seat Black Cloth	1	EA
6	<a href="#">1116075</a>	Seat Belt	1	EA
7	<a href="#">006069400</a>	Retainer - Jump Seat AL 450139X6.5"	2	EA
8	<a href="#">80712016</a>	Angle - Step AL 1100488X3.07	1	EA
9	<a href="#">002069402</a>	Angle - Step AL 450187X14.28	1	EA
10	<a href="#">1115288</a>	Eye Bolt	2	EA

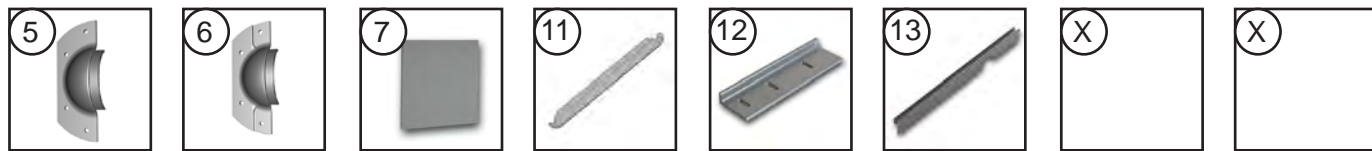
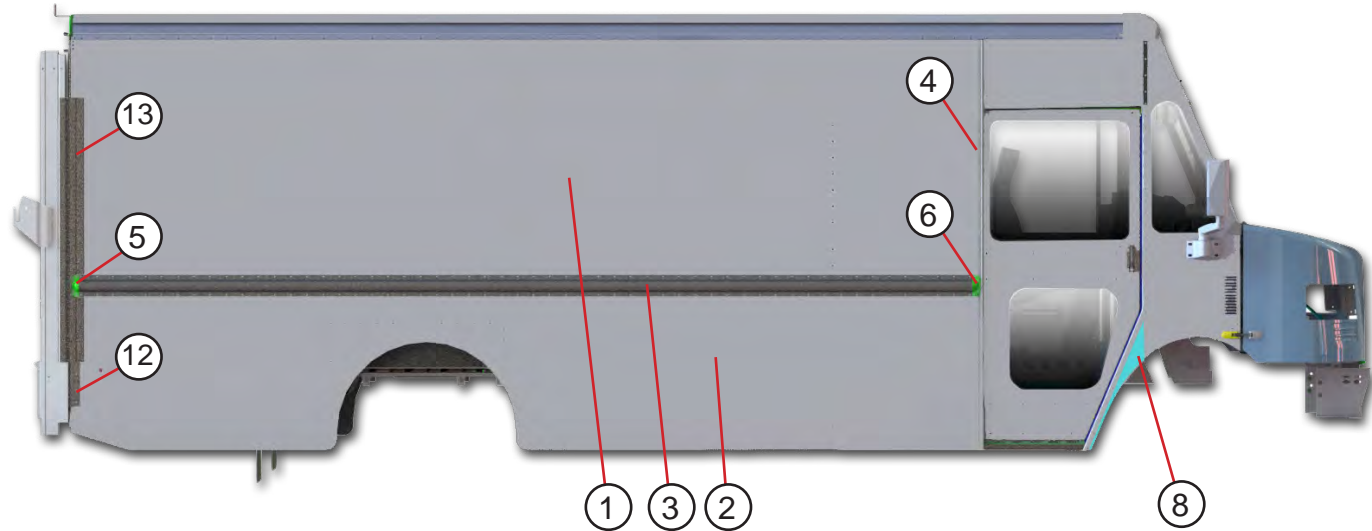


Item #	Part #	Description	Qty	Unit
1	083034401	Beam @ O/Line HD ALE 450394X89.38	1	EA
2	<a href="#">001730412</a>	Angle Step AL 450187X32	1	EA
3	168031401	Beam Floor HD AL 450611X92.2 RIB ( <a href="#">45061102</a> )	2	EA
4	200033411	Beam Floor H/D AL 450612X92.19 RIB ( <a href="#">45061202</a> )	10	EA
5	200033413	Beam Floor H/D AL 450613X92.19 RIB ( <a href="#">45061301</a> )	6	EA
6	200033412	Beam Floor H/D AL 450614X92.19 RIB ( <a href="#">45061402</a> )	2	EA
7	<a href="#">45030300</a>	Angle Attach AL Floor/Side		
8	<a href="#">95869202</a>	Wheel Box Assembly 93W 10" DW AL .102 KBK	2	EA
9	<a href="#">95869302</a>	Angle W/Box Attach AL 450018X44	2	EA
10	220035400	Beam Floor H/D AL 450613X40.44 RIB ( <a href="#">45061301</a> )	4	EA
11	190032400	Beam Floor AL 450585X40.44 RIB	1	EA
12	<a href="#">088033401</a>	Plate Filler Rear AL .125X6.68X92.38	1	EA
13	<a href="#">45059400</a>	Drop Sill AL Floor 2.62X92.69 45 Ramp	1	EA
14	<a href="#">108012400</a>	Cover Plate - Access Panel AL .125X9.61X11.62	1	EA
15	128012410	Support Bracket - Access Door AL.125X12.69X18.61	1	EA
16	<a href="#">117032401</a>	Heat Shield AL .07X3.75X5.12	1	EA

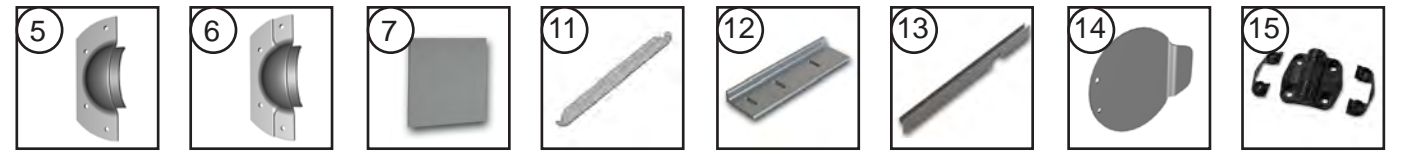
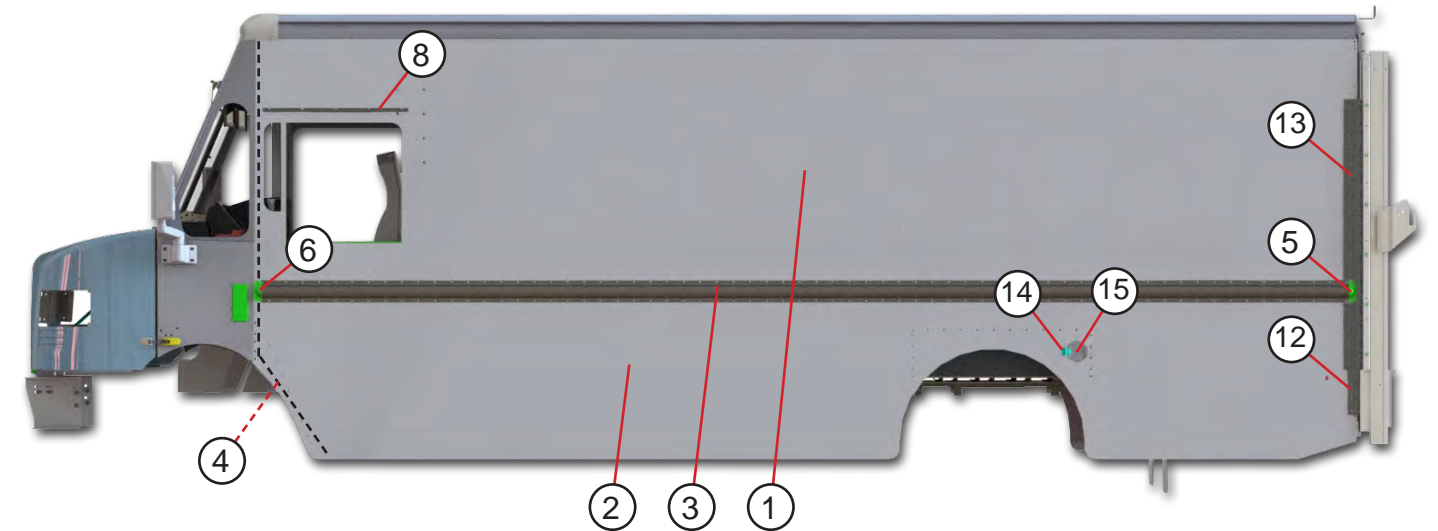


Item #	Part #	Description	Qty	Unit
1	<a href="#">077100400</a>	Corner Casting AL LH	1	EA
2	<a href="#">083010400</a>	Roof Nose 93W AL 456107X82.5	1	EA
3	<a href="#">89310506</a>	Interlock Roof Nose AL 45014X81.75	1	EA
4	<a href="#">077100401</a>	Corner Casting AL RH	1	EA
5	<a href="#">91083303</a>	Roof Bow 93W H/D 450358X89.12	20	EA
6	<a href="#">89310478</a>	Roof Bow @ O-Line Steel 14GA X13.54X89.12	1	EA
7	104410322	Roof Rail 20' 450335X261.25 RH	1	EA
8	104410323	Roof Rail 20' 450335X261.25 LH	1	EA
9	<a href="#">104010598</a>	Interlock Roof Rail AL 450140X261.25 LH	1	EA
10	<a href="#">104010599</a>	Interlock Roof Rail AL 450140X261.25 RH	1	EA
11	<a href="#">89310507</a>	Interlock Roof Rear AL 450140X79.13	1	EA
12	<a href="#">1100010</a>	Roof Skin AL .037	21.98	FT



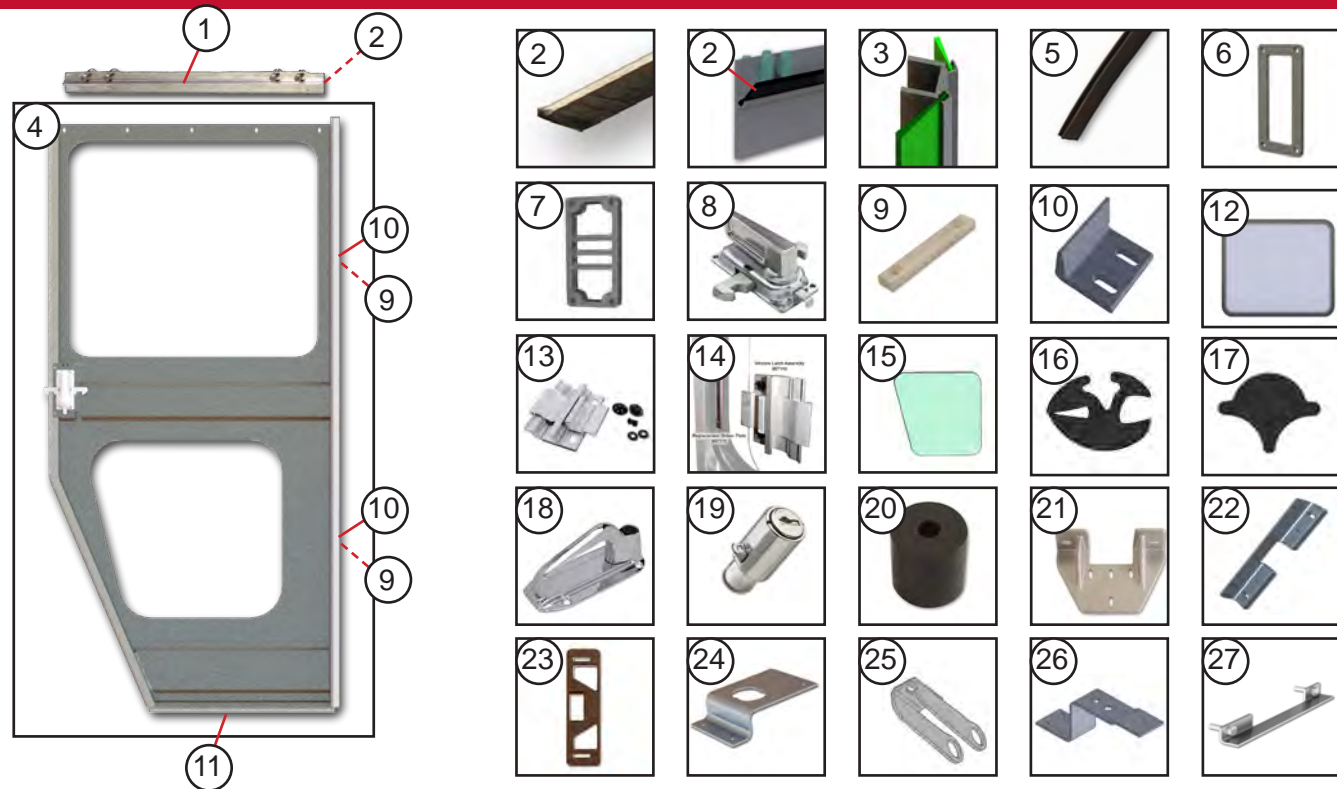


Item #	Part #	Description	Qty	Unit
1	<a href="#">198038422</a>	Side Panel Upper AL .102X60X225.31 L/R	1	EA
2	<a href="#">228037422</a>	Side Panel Lower AL .102X38.79X225.31 RH	1	EA
3	<a href="#">088039307</a>	Rub Rail AL 450002X221"	1	EA
4	<a href="#">198038401</a>	B Post 85H	1	EA
5	<a href="#">1100799</a>	End Cap Rear FL AL .125X2.37X5.5	1	EA
6	<a href="#">1100800</a>	End Cap Forward AL .125X2.37X5.5	1	EA
7	<a href="#">7600165</a>	Plate Filler AL .125X3.19X2.5	1	EA
8	<a href="#">177022401</a>	Skirt Tail AL .07X15.62X34.03 RH	1	EA
9	<a href="#">101048412</a>	Stiffener Side AL 450039X79.5	9	EA
10	<a href="#">101048415</a>	Stiffener Side AL 450039X70.25	3	EA
11	<a href="#">001744400</a>	Gusset - Strap Floor to Side AL .125X2.1X16.02	2	EA
12	<a href="#">092050411</a>	Mounting Angle Lower - Liftgate AL 1126236X11 RH	1	EA
13	<a href="#">092050413</a>	Mounting Angle Upper - Liftgate AL 450596X65.29 RH	1	EA
14	<a href="#">1100486</a>	Angle Stiffener Lower Side Panel AL .125X1X1X192	1.25	EA



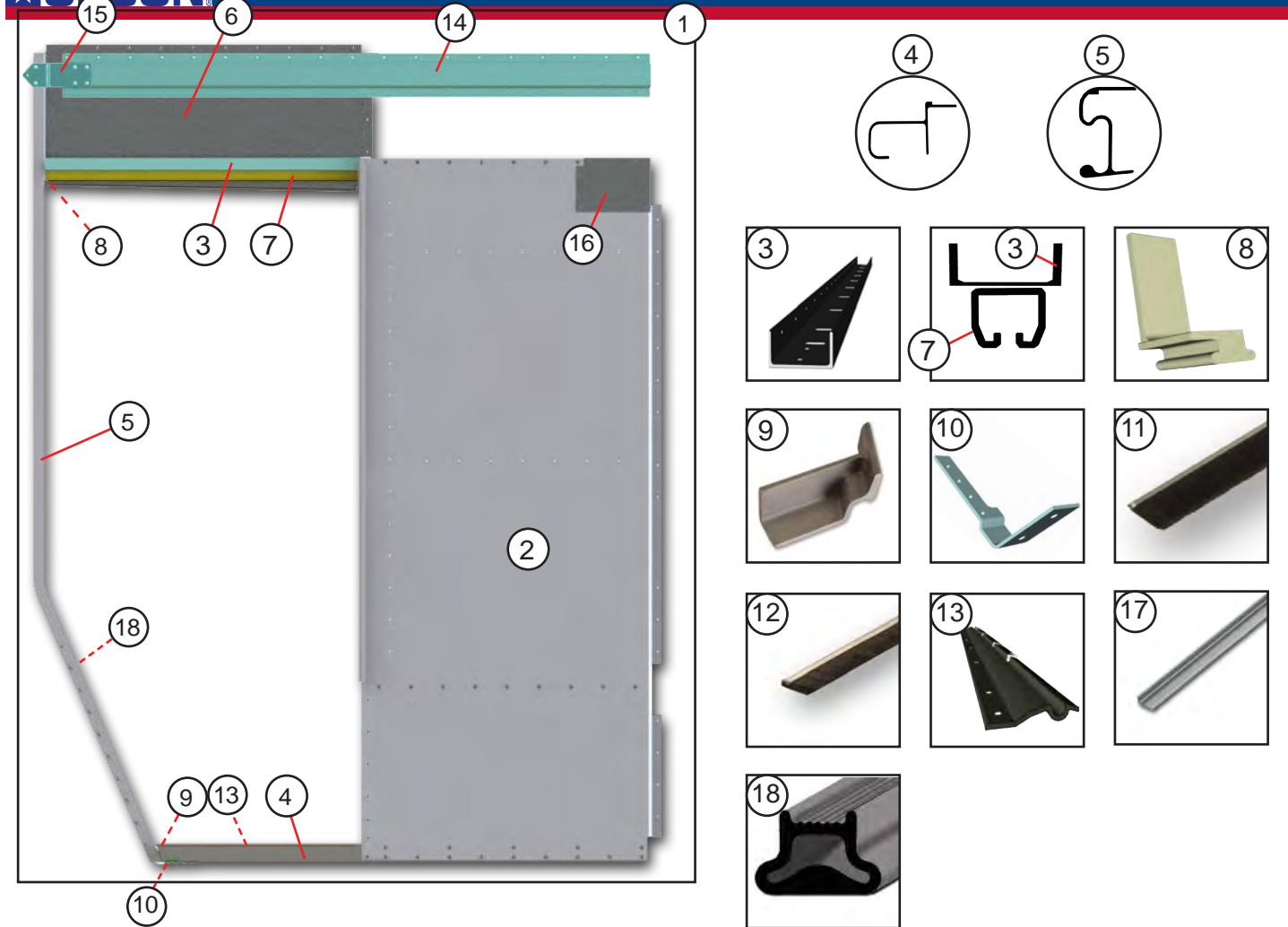
Item #	Part #	Description	Qty	Unit
1	<a href="#">198038422</a>	Side Panel Upper AL .102X60X225.31 L/R	1	EA
2	<a href="#">228045403</a>	Side Panel Lower AL .102X38.79X266.31 DLH	1	EA
3	<a href="#">088039329</a>	Rub Rail AL 450002X262.31 DLH	1	EA
4	<a href="#">088044200</a>	Door Post Assembly 85H DLH	1	EA
5	<a href="#">1100799</a>	End Cap Rear FL AL .125X2.37X5.5	1	EA
6	<a href="#">1100800</a>	End Cap Forward AL .125X2.37X5.5	1	EA
7	<a href="#">7600165</a>	Plate Filler AL .125X3.19X2.5	1	EA
8	<a href="#">89367380</a>	Drip Rail Over Window AL 450006X35.32	1	EA
9	<a href="#">101048412</a>	Stiffener Side AL 450039X79.5	9	EA
10	<a href="#">101048415</a>	Stiffener Side AL 450039X70.25	3	EA
11	<a href="#">001744400</a>	Gusset - Strap Floor to Side AL .125X2.1X16.02	3	EA
12	<a href="#">092050410</a>	Mounting Angle Lower - Liftgate AL 1126236X11 RH	1	EA
13	<a href="#">092050412</a>	Mounting Angle Upper - Liftgate AL 450596X65.29 RH	1	EA
14	<a href="#">094012401</a>	Door - Fuel Fill	1	EA
15	<a href="#">47007888</a>	Hinge - Fuel Door	1	EA

## Side Door Curbside

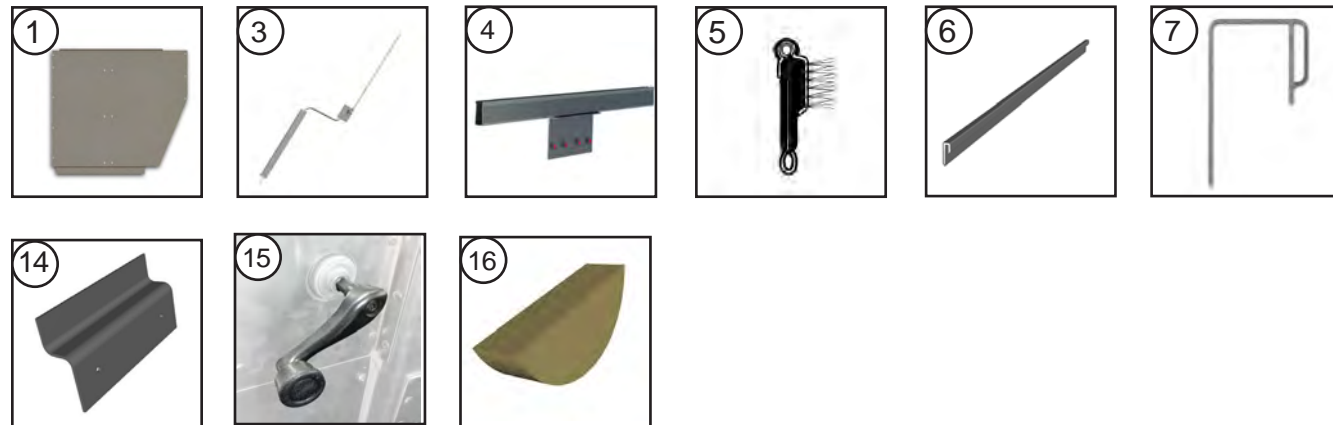
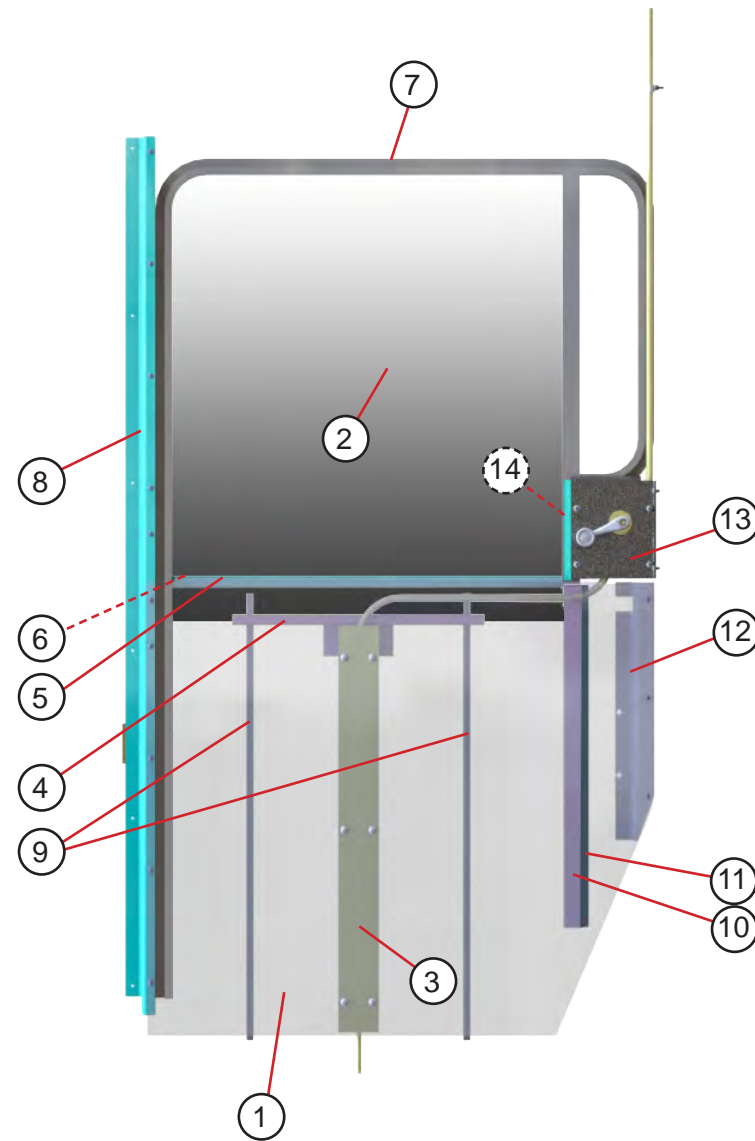


Item #	Part #	Description	Qty	Unit
1	<a href="#">96760203</a>	Door Hanger Assembly W/Bearings	1	EA
2	<a href="#">44008050</a>	Brush Seal Type B @ Door Hanger 1X83.9	0.5	EA
3	<a href="#">44008050</a>	Brush Seal Type B @ Door Rear 1X83.9	1	EA
3	<a href="#">44004060</a>	Seal Brush Type C 1.5X82	1	EA
4	210060204	Side Door Assembly SLW RH	1	EA
5	<a href="#">44000260</a>	Trim Quick Edge X200FT	1	FT
6	<a href="#">157060404</a>	Spacer Door Latch AL .188X2.5X5.5	1	EA
7	<a href="#">087181</a>	Spacer Door Latch .54 DP ZN	1	EA
8	<a href="#">45100168</a>	Lock Mechanism Inner D/S	1	EA
9	<a href="#">45200206</a>	Spacer - Anti-Rattle D/S Nylon	2	EA
10	<a href="#">45300377</a>	Clip Anti Rattle Door Pocket	2	EA
11	210060408	Wear Strip AL 450008X26 L/R	1	EA
12	<a href="#">13342990010</a>	Window Sliding Sash RH	1	EA
13	<a href="#">967110</a>	Latch - Replacement	-	EA
14	<a href="#">967203</a>	Striker Plate - Replacement	-	EA
15	<a href="#">1111637</a>	Glass - Lower Safety	1	EA
16	<a href="#">44004262</a>	Weather Strip	6	FT
17	<a href="#">44004200</a>	Weather Strip Filler Bead	6	FT
18	<a href="#">47000690</a>	Door Handle - Exterior	1	EA
19	<a href="#">47001181</a>	Lock Cylinder - Push In	1	EA
20	<a href="#">44002011</a>	Bumper Rubber	1	EA
21	<a href="#">45100094</a>	Bracket Striker AL Casting	1	EA
22	<a href="#">198041400</a>	Striker Steel 7GA X3.13X8.25	1	EA
23	<a href="#">170060400</a>	Striker Bronze	1	EA
24	<a href="#">89358305</a>	Bracket Lock AL .102X3.25X5.32	1	EA
25	<a href="#">148133400</a>	Striker Lock Steel 11GA X3.34X4.01	1	EA
26	<a href="#">148133403</a>	Bracket Striker AL .102X1.4X7.96	1	EA
27	<a href="#">97R653002</a>	Striker Assembly Welded	1	EA

## Door Pocket Curbside



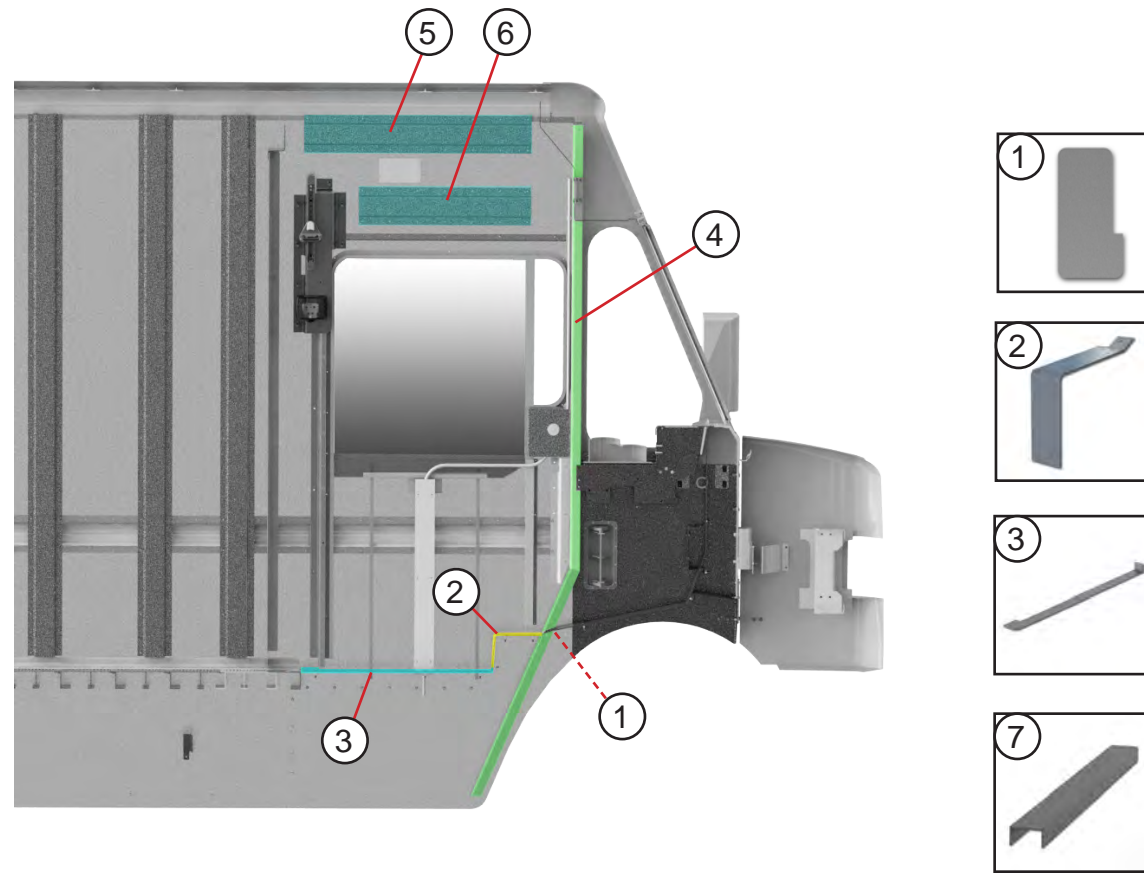
ITEM #	PART #	DESCRIPTION	QTY.	UNIT
1	<a href="#">077041215</a>	Door Pocket Assembly 85H Y RH W/VT	1	EA
2	210041401	Panel Door Pocket AL .102X42.25X87.65 RH	1	EA
3	210041403	Channel Header AL 450256X75 RH	1	EA
4	<a href="#">210041405</a>	Step Nose AL 450247X61.29 RH	1	EA
5	<a href="#">157041401</a>	Door Post AL 450294X102.43 RH	1	EA
6	<a href="#">177041403</a>	Panel Header AL .102X19.49X42.36 RH	1	EA
7	<a href="#">96741202</a>	Track Assembly Upper	1	EA
8	<a href="#">45100049</a>	Gusset - Header Channel to Door Post	1	EA
9	<a href="#">45100105</a>	Door Post Casting Lower	1	EA
10	<a href="#">001741408</a>	Reinforcement Bracket AL .125X1.53X8.04 RH	1	EA
11	<a href="#">44004060</a>	Seal Brush Type C 1.5x82	1	EA
12	<a href="#">44008050</a>	Seal Brush Type B 1x83.9	1	EA
13	<a href="#">47002766</a>	Door Guide Nylon	1	EA
14	<a href="#">083042401</a>	Stiffener Header AL 450328X73.75 RH	1	EA
15	<a href="#">96742302</a>	Clip AL Zee .102X3X9.57	1	EA
16	<a href="#">96741355</a>	Cover Door Pocket AL .055X6.75X12.16 RH	1	EA
17	<a href="#">87146300</a>	Angle Reinforcement AL 450194X58.25	1	EA
18	<a href="#">44004104</a>	Rubber Seal @ Door Post Forward X89.25	1	EA



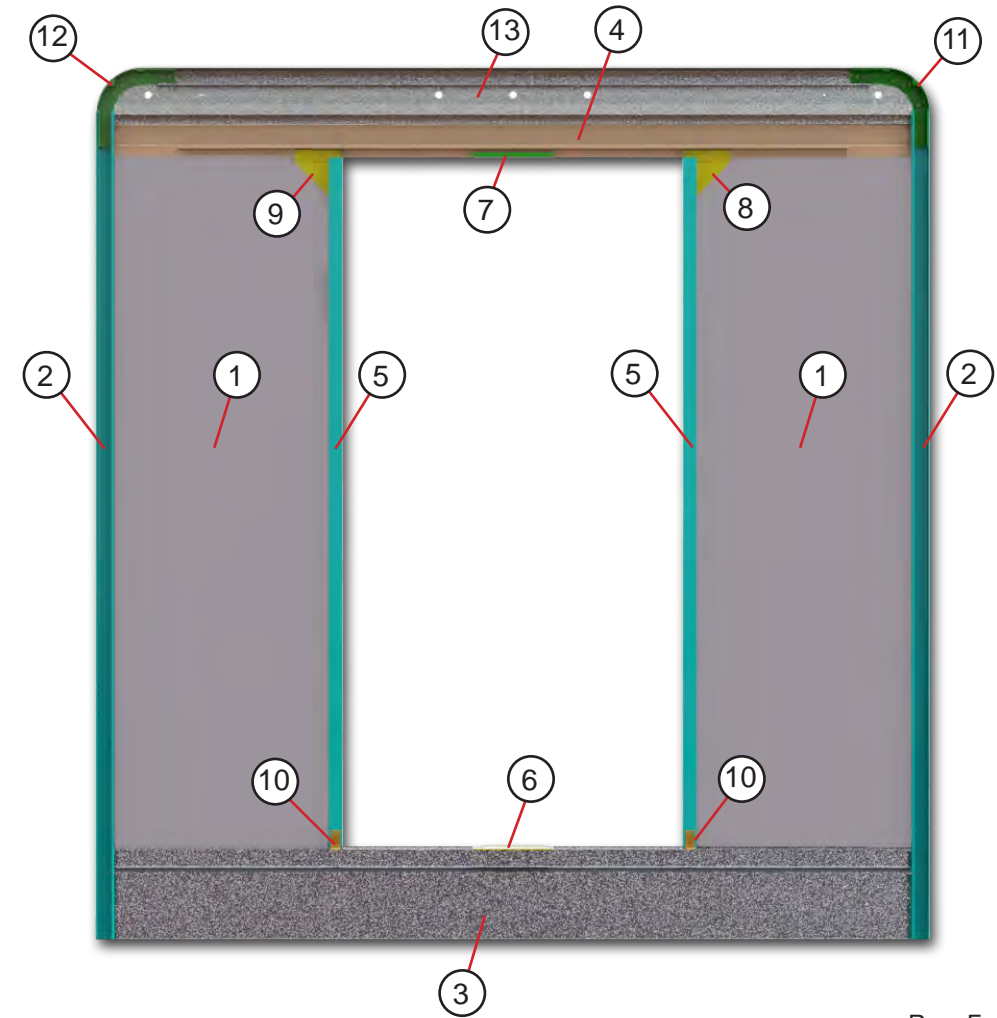
Item #	Part #	Description	Qty	Unit
1	<a href="#">088066400</a>	Cover Panel Regulator AL .102X33.19X36.20 DL	1	EA
2	<a href="#">45800093</a>	Glass - Roll Up Window .125X28.43X32.59	1	EA
3	<a href="#">47007526</a>	WDO REG MUNCY LH	1	EA
4	<a href="#">47007532</a>	Channel Mounting Window Regulator X18	1	EA
5	<a href="#">998566419</a>	Felt - Glass X28.12	1	EA
6	<a href="#">998566456</a>	Trim Window Edge AL 450234X27.92	1	EA
7	<a href="#">13342290002</a>	Frame - Roll Up Window	1	EA
8	<a href="#">998566407</a>	Stiffener Zee Rear AL .102X2.94X62.73 L/R	1	EA
9	<a href="#">190066400</a>	Wear Strip Roll Up Window Nylon .125 X .50 X 32"	2	EA
10	<a href="#">998566557</a>	Guide Channel Roll Up Window AL 47007530X24.5	1	EA
11	<a href="#">998566558</a>	Guide Channel Mounting AL 47007531X24.5	1	EA
12	<a href="#">088066401</a>	Cover Zee Forward AL .102X3.5X18.5	1	EA
13	<a href="#">998566450</a>	Plate Mounting - Crank AL .07X7.19X7.51	1	EA
14	<a href="#">998566451</a>	Plate Mounting Zee AL .102X3.92X6	1	EA
15	<a href="#">47007522</a>	Handle - Window Crank	1	EA
16	<a href="#">45900001</a>	Plug - Wood @ Rub rail .75 X1.12 X2.9	1	EA

**ROLL UP WINDOW FASTENERS & SPECIALITY ITEMS**

ITEM#	PART#	DESCRIPTION	QTY	UNIT
	<a href="#">1111086</a>	CLAMP .55ID MIN	1	EA
	<a href="#">1117310</a>	NUT HEX NYL LK .25-20 ZP	8	EA
	<a href="#">1117357</a>	RIVET AL BR/HD #8 .188X.5	0.01	LB
	<a href="#">1117651</a>	SCREW STL PN/HD ZP #4X.25	5	EA
	<a href="#">1117723</a>	SCREW STL SEMS THD PHL #10-32X.5	28	EA
	<a href="#">1117857</a>	SCREW SS TR/HD PHL .25-20X.62	2	EA
	<a href="#">1117886</a>	WASHER STL FLAT .06X.25X.62	6	EA
	<a href="#">40200629</a>	RIVET POP CLSD .12-25 BLACK	11	EA
	<a href="#">40200809</a>	RIVNUT GRIP2-.13	13	EA
	<a href="#">40200812</a>	RIVNUT .25-20 HEX	2	EA
	<a href="#">41002036</a>	LOCK TIGHT - THREAD LOCK	0.1	EA
	<a href="#">47007523</a>	TAPE REGULATOR WINDOW CHAIN SETTING	1	EA
	<a href="#">47007524</a>	SCREW STL SEMS .25-20X.38 W/LKTT	6	EA
	<a href="#">47007540</a>	RUBBER SETTING TAPE @ WINDOW CHANNEL	1	EA

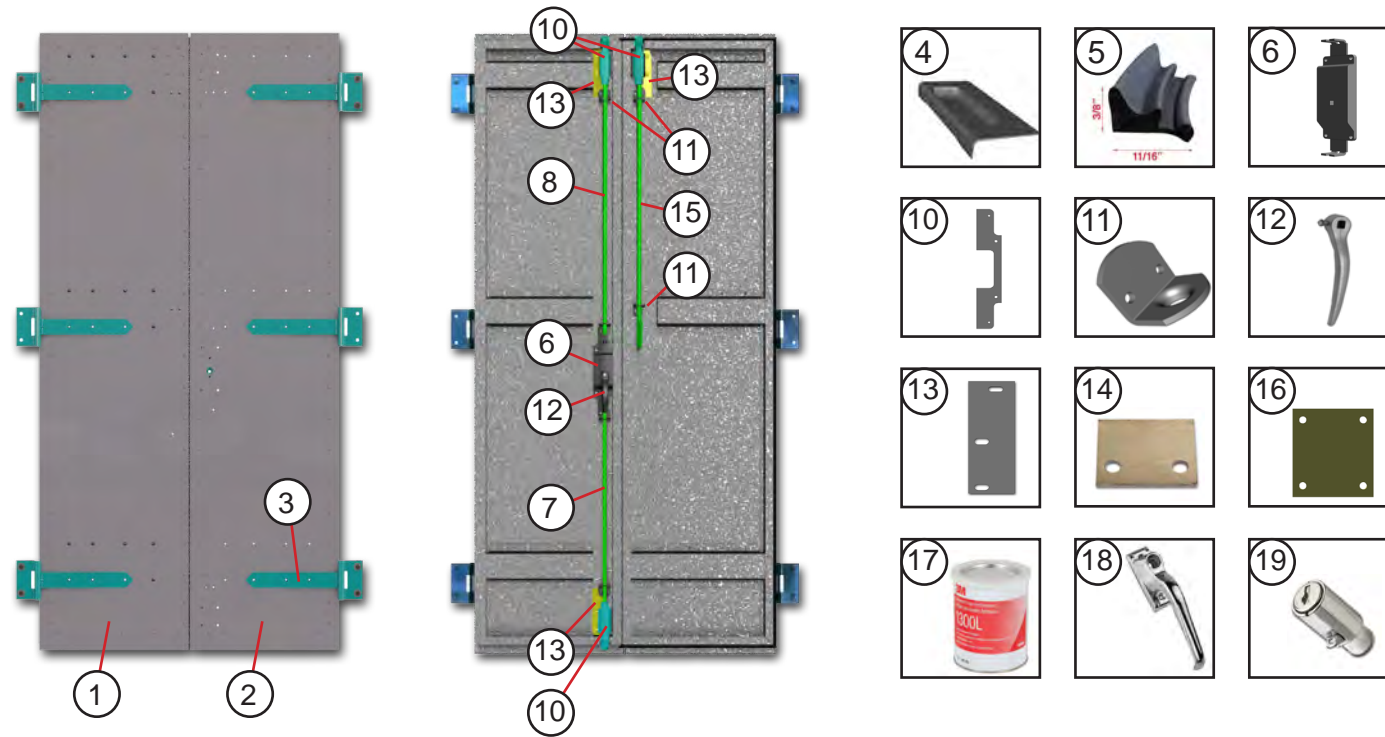


Item #	Part #	Description	Qty	Unit
1	<a href="#">198005401</a>	Plate Filler A-Post AL .07X2X4	1	EA
2	208024400	Cover Plate AL .102X2.25X13.05	1	EA
3	208024401	Cover Plate AL .102X3.43X28.92	1	EA
4	<a href="#">088044200</a>	Door Post Assembly LH	1	EA
5	178048403	Stiffener Over Window AL 450328X33	1	EA
6	098052414	Stiffener Over Window AL 450328X25	1	EA
7	178048400	Stiffener Liner Rear AL 45025604 X38	1	EA
7	178048401	Stiffener Liner Rear AL 45025604 X31	1	EA

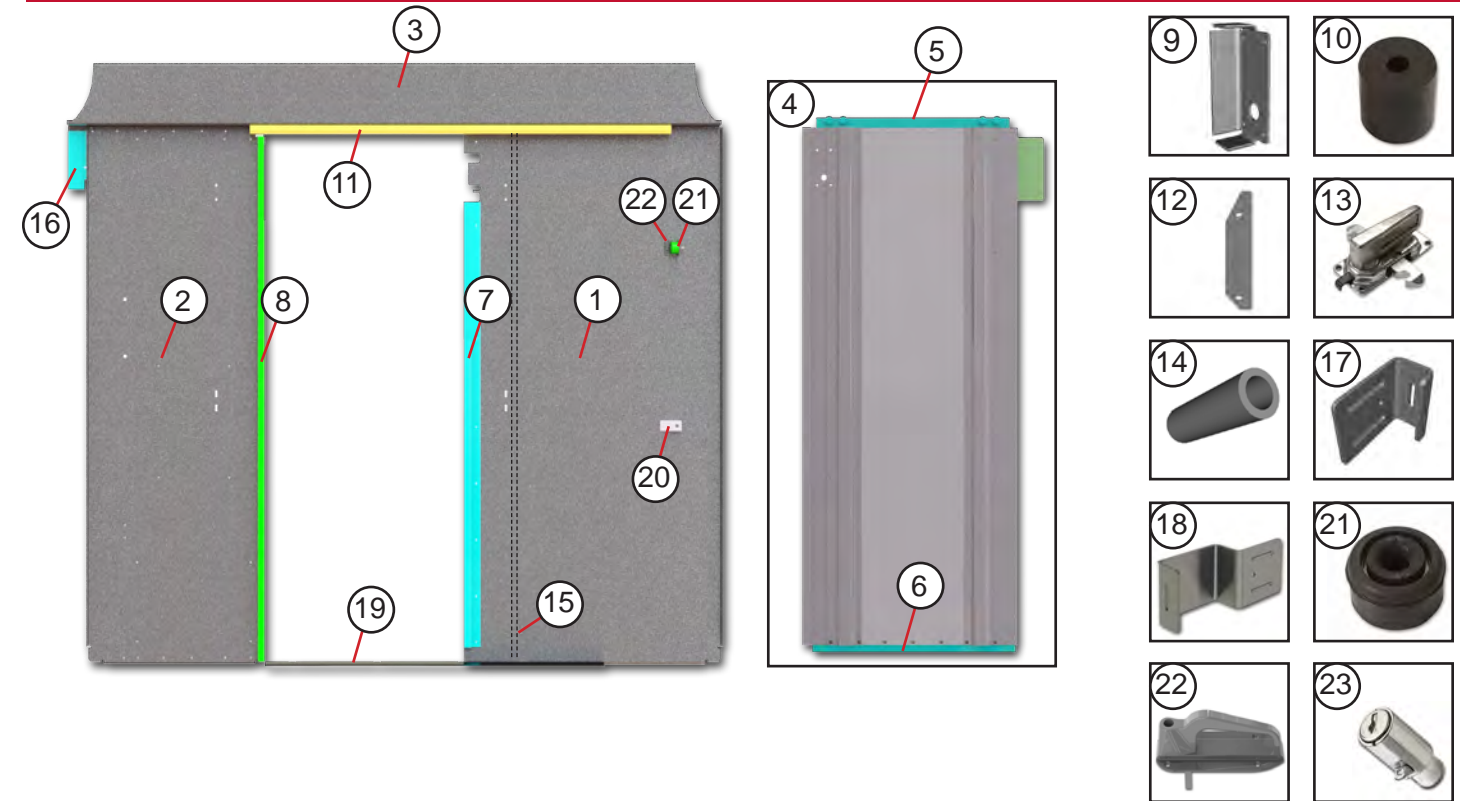


Rear Frame Assembly  
View from inside looking back

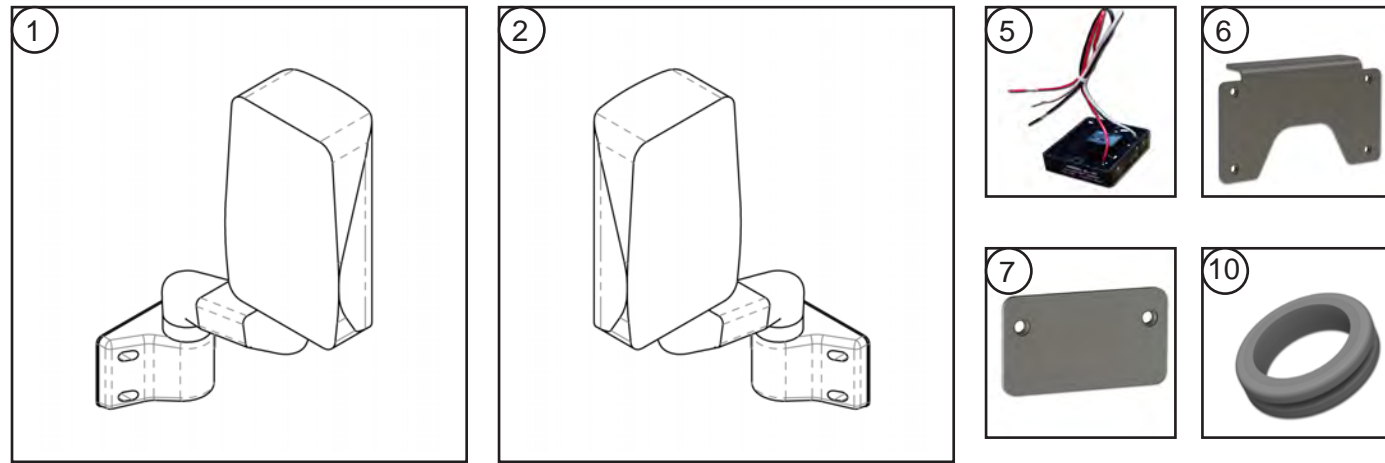
Item #	Part #	Description	Qty	Unit
1	<a href="#">083050705</a>	Panel Back AL .102X26.63X88.44 LH/RH	2	EA
2	<a href="#">083053453</a>	Channel - Corner Post AL 450359X92.69	2	EA
3	<a href="#">083053605</a>	Sill Rear 93W AL 450024X88.75	1	EA
4	<a href="#">77552018</a>	Header Back 93W AL 450138X92	1	EA
5	<a href="#">083050461</a>	Door Post AL 450011X77.13	2	EA
6	<a href="#">004051401</a>	Plate Striker Door Lower 11GA SSX4.52X9	1	EA
7	<a href="#">45100106</a>	Striker Bronze - Rear Door Upper	1	EA
8	<a href="#">90650304</a>	Gusset Upper AL .125X5.12X6.59 LH	1	EA
9	<a href="#">90650305</a>	Gusset Upper AL .125X5.12X6.59 RH	1	EA
10	<a href="#">96750313</a>	Angle Clip AL 450196X1	2	EA
11	<a href="#">45100009</a>	Corner Casting Roof Rear LH	1	EA
12	<a href="#">45100010</a>	Corner Casting Roof Rear RH	1	EA
13	<a href="#">083050410</a>	Transom 93W AL 450254X91.62	1	EA
14	<a href="#">97850300</a>	Filler Plate Back AL .125X4.55X97.21	1	EA



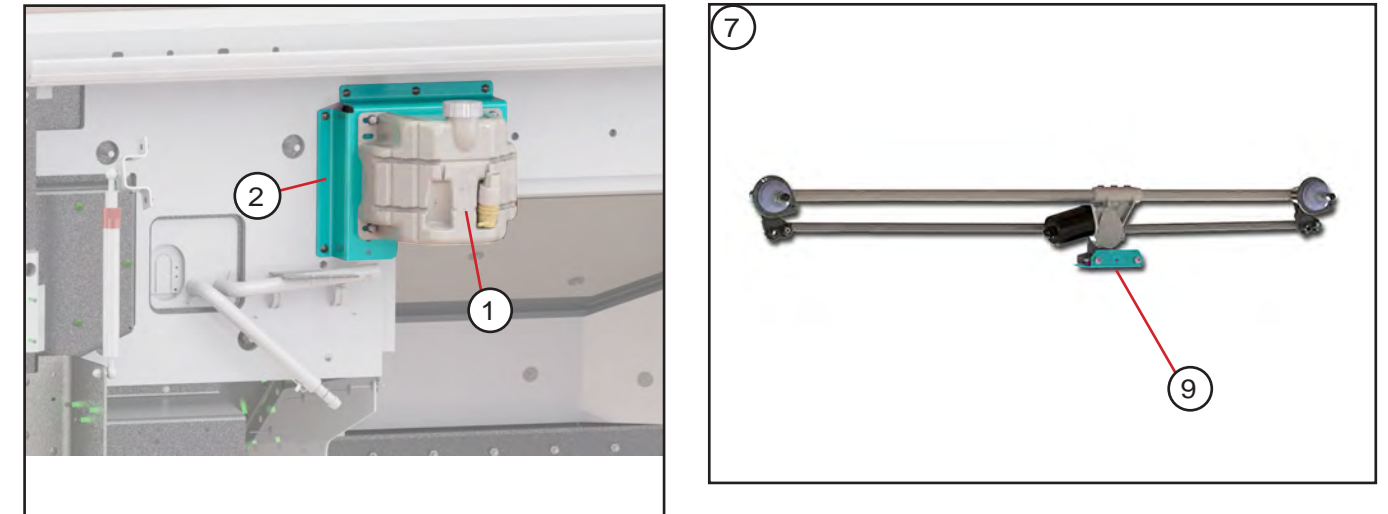
Item #	Part #	Description	Qty	Unit
1	<a href="#">84352323</a>	Rear Door Assembly 38" 81/85H W/O Glass LH	1	EA
2	<a href="#">148133200</a>	Rear Door Assembly 38" 81/85H W/O Glass RH	1	EA
3	<a href="#">47007900</a>	Hinge AL Strap W/Zerk Fitting .25 OFF SET	6	EA
4	<a href="#">7500036</a>	Dust Pan Double AL .07X5X9.5	1	EA
5	<a href="#">1107047</a>	Seal Sponge 64238XFT (11.56 FT LH / 17.2 FT RH)	27.68	FT
6	<a href="#">47000667</a>	Slam Lock & Take Up #K167	1	EA
7	<a href="#">1113157</a>	Rod DIM B X24.69	1	EA
8	<a href="#">1113031</a>	Rod DIM B X32	1	EA
9	<a href="#">7400873</a>	Shim AL .125X2X11.75	1	EA
10	<a href="#">1112010</a>	Latch Slam K167-109	3	EA
11	<a href="#">1112011</a>	Guide for Rod	6	EA
12	<a href="#">1113015</a>	Handle Inner D/R KAS #1600	1	EA
13	<a href="#">110051400</a>	Shim Door Latch AL .125X1.75X5.5	3	EA
14	<a href="#">7400126</a>	Shim @ Guide AL .125X1.5X1.38	1	EA
15	<a href="#">180133400</a>	Rod Finger Pull ZP	1	EA
16	<a href="#">180051400</a>	Shim Rear Door AL .125X2.75X4.38	1	EA
17	<a href="#">1123012</a>	Adhesive 3M #1300 (.016 QT Per Door)	0.032	QT
18	<a href="#">47001192</a>	Handle Exterior Chrome	1	EA
19	<a href="#">47001181</a>	Lock Cylinder	1	EA



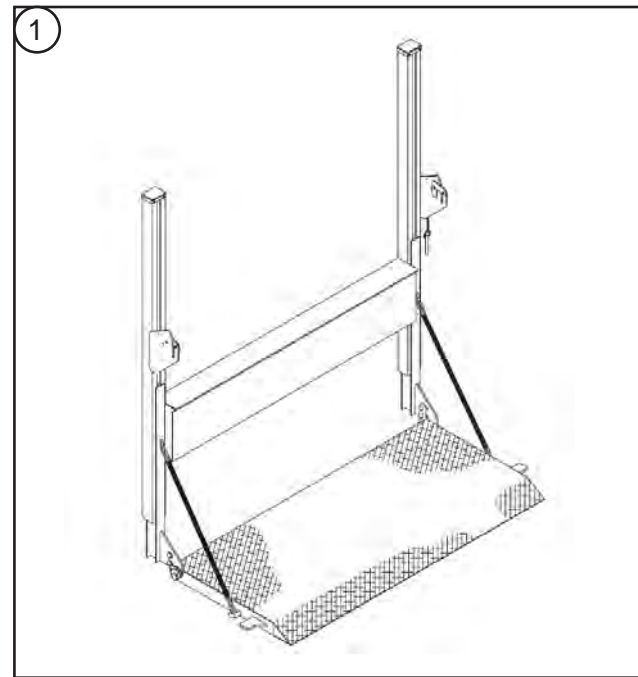
Item #	Part #	Description	Qty	Unit
1	138070473	Panel Bulkhead AL .102X37.84X77.38 DLH	1	EA
2	138070472	Panel Bulkhead AL .102X27.13X77.38 RH	1	EA
3	138070474	Header Panel Bulkhead Zee AL .102X14.65X92.4	1	EA
4	<a href="#">088070201</a>	Door Assembly No/Window Upper Handle Position	1	EA
5	<a href="#">088070206</a>	Hanger Assembly W/Seal Bulkhead Door	1	EA
6	<a href="#">088070434</a>	Wear Strip Bulkhead Door 452002X28.75	1	EA
7	<a href="#">088070438</a>	Channel Bulkhead Upper AL 450502X63.08	1	EA
8	<a href="#">96770312</a>	Door Jamb AL 450326X74.37	1	EA
9	<a href="#">088070433</a>	Spacer Bulkhead Door AL .125X4.49X9.79	1	EA
10	<a href="#">44002011</a>	Rubber Bumper	2	EA
11	<a href="#">005770200</a>	Door Track Assembly	1	EA
12	<a href="#">06M202043</a>	Shim - Door Handle AL .125X1X7	1	EA
13	<a href="#">1113016</a>	Lock Mechanism Inner D/S	1	EA
14	<a href="#">088070482</a>	Spacer Bulkhead AL Tube .5X1.75	3	EA
15	<a href="#">002069406</a>	Stiffener Zee AL 450043X72.12	1	EA
16	<a href="#">088070443</a>	Plate Bulkhead AL .055X3.65X8.29 RH	1	EA
17	<a href="#">088070431</a>	Bracket Striker Steel 7GA X3.5X6.32 LH	1	EA
18	<a href="#">088070432</a>	Bracket Striker Steel 7GA X3.5X11.77 RH	1	EA
19	<a href="#">96770316</a>	Door Guide - Floor AL 450414X47.88	1	EA
20	<a href="#">45200208</a>	Door Chock Nylon	1	EA
21	<a href="#">1107086</a>	Rubber Bumper - Door Stop	1	EA
22	<a href="#">82140014</a>	Angle Mounting - Door Stop AL .125X2X2X2	1	EA
23	<a href="#">47001189</a>	Bulkhead Door Handle	1	EA
24	<a href="#">47001181</a>	Lock Cylinder	1	EA



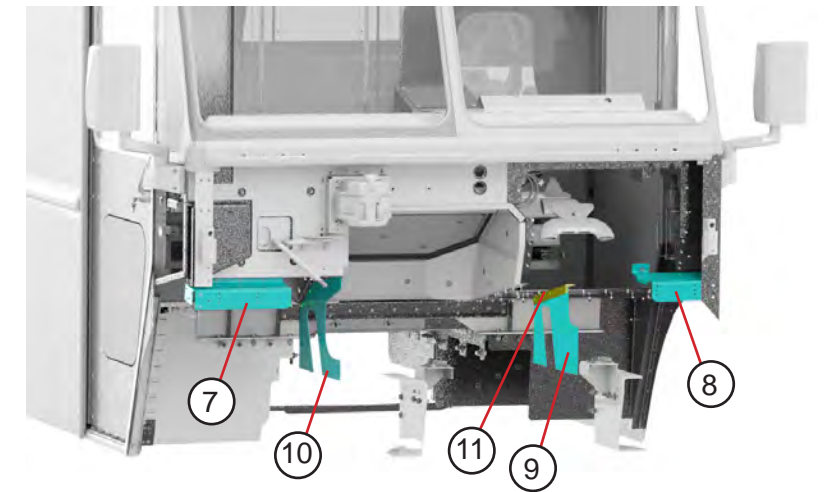
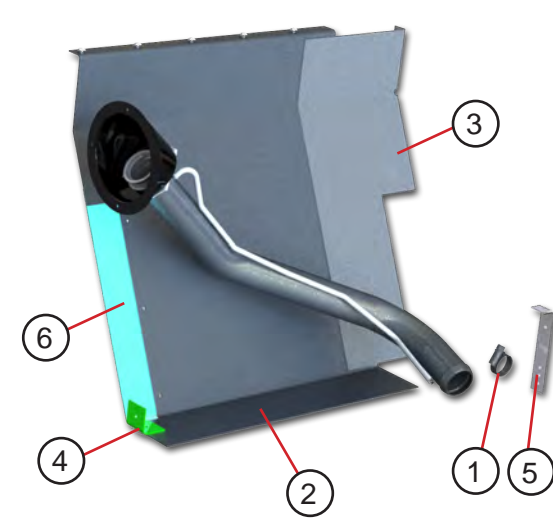
Item #	Part #	Description	Qty	Unit
1	<a href="#">47005694</a>	Mirror Assembly LH VLVC 2030 Chrome	1	EA
2	<a href="#">47005695</a>	Mirror Assembly RH VLVC 2030 Chrome	1	EA
3	<a href="#">47004212</a>	Switch Mirror Control	1	EA
4	<a href="#">46029064</a>	Switch Mirror Heat Control W/ WRG	1	EA
5	<a href="#">46032341</a>	Timer Module 10 Minute 10A W/O Relay	1	EA
6	<a href="#">160142201</a>	Mirror Bracket - Welded	1	EA
7	<a href="#">170142200</a>	Mirror Bracket Forward - Welded	2	EA
NS	<a href="#">47004217</a>	Harness Mirror Controller 9'	1	EA
NS	<a href="#">47004216</a>	Harness Mirror Controller 5'	1	EA
10	<a href="#">46004450</a>	Grommet Round Black Rubber 1.5 ID	2	EA



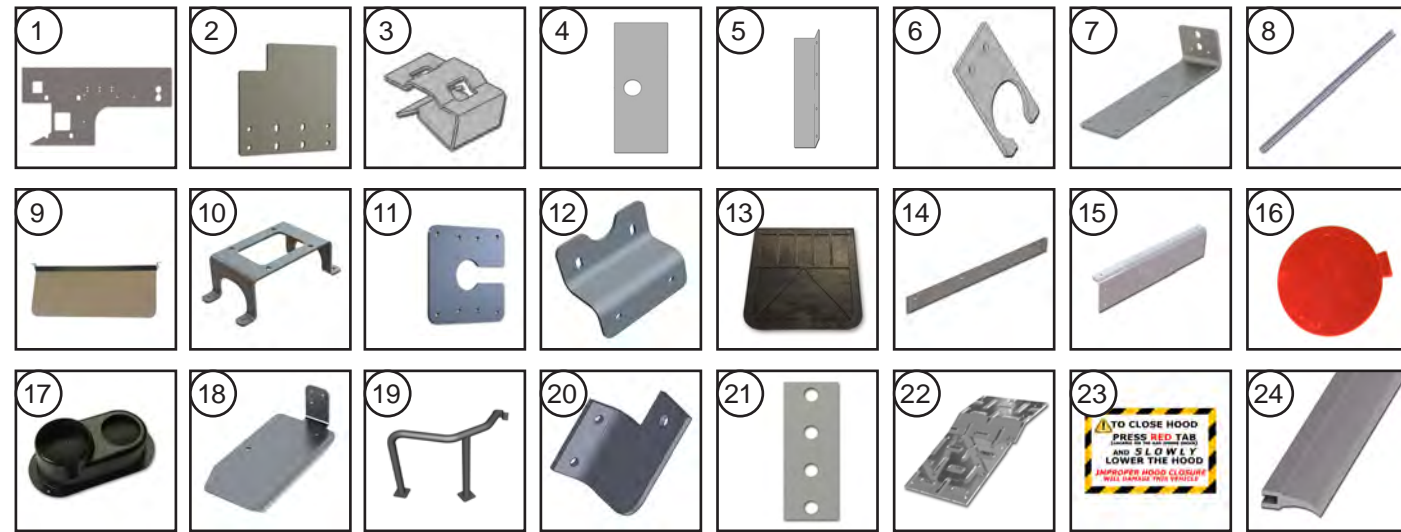
ITEM #	PART #	DESCRIPTION	QTY.	UNIT
1	<a href="#">47004507</a>	WINDSHIELD WASHER RESERVOIR W/PUMP	1	EA
2	<a href="#">210063400</a>	BRACKET WINDSHIELD RESERVOIR	1	EA
3	<a href="#">47004205</a>	WIPER ARM - WET 20"	2	EA
4	<a href="#">47004134</a>	WIPER BLADE 24"	2	EA
5	<a href="#">1101694</a>	TEE WINDSHIELD WASHER	1	EA
6	<a href="#">1107122</a>	HOSE WINDSHIELD WASHER	12	FT
7	<a href="#">47004230</a>	WIPER SYSTEM TUBULAR 2 PIVOT 86/88W	1	EA
NS	<a href="#">N/A</a>	MOTOR (NON SERVICEABLE)	1	EA
9	<a href="#">220055408</a>	BRACKET WIPER MOTOR	1	EA
10	<a href="#">46021115</a>	CLIP BODY LARGE PAN	1	EA
11	<a href="#">47004271</a>	WET KIT FOR WIPER ARM (SPRAY NOZZLE & HOSE)	2	EA
12	<a href="#">47004272</a>	RETAINING CLIP HOSE	2	EA



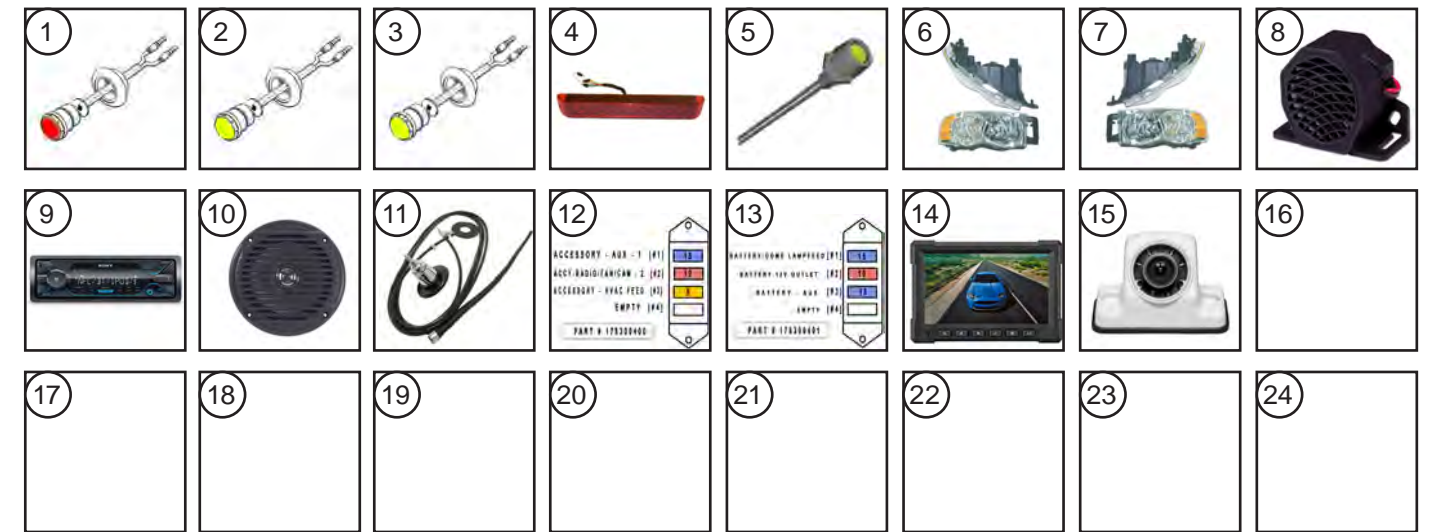
Item #	Part #	Description	Qty	Unit
1	CFLGSBW	Liftgate Thieman 90X30 BOTVLR20A 9072 *	-	-
NS	CFLGCTLSSBW	Liftgate Kit Electric Pre-Install *	-	-
NS	220089202	Control System Assembly - Liftgate *	-	-
4	1107324	Grommet .625X.25X.875	1	EA
5	1107280	Trim - Quickedge QTR Black .19-.2	1	FT
6	46021016	Clasp SS EPDM Cushion .62IN	4	EA
7	122092401	Bracket Mounting AL .102X10.07X10.52	1	EA
8	46029050	Switch Rocker Liftgate SPST ON-ON	1	EA
9	46003022	Lamp - Green	1	EA
10	45200252	Plackard Plastic Liftgate Power	1	EA
11	102084202	Wiring Harness Rocker Switch Jumper	1	EA
12	102092202	Wiring Harness Solenoid Control	1	EA
* N/A		Customer Supplied Items - Call Summit Bodyworks	-	-



Item #	Part #	Description	Qty	Unit
1	1114700	Clamp Hose Wrap .5-1.25 IN	1	EA
2	82312301	Splash Pan Fuel Fill AL .07X19.5X25.36	1	EA
3	82312024	Splash Pan Fuel Fill AL .07X9.43X20.34	1	EA
4	82312025	Support Splash Pan AL .07X1.5X2.96	1	EA
5	118012401	Support Fuel Fill AL .102X1X6.02	1	EA
6	188012400	Plate Filler AL .07X3.15X13.17	1	EA
7	077260404	Splash Pan AL .125X8.49X19.49 RH	1	EA
8	218026402	Splash Pan AL .125X11.27X16.32 LH	1	EA
9	118026407	Shield Vinyl 452000X14.45X22.05 LH	1	EA
10	118026408	Shield Vinyl 452000X17.8X22.65 RH	1	EA
11	118026409	Angle Bracket AL 450193X17	1	EA



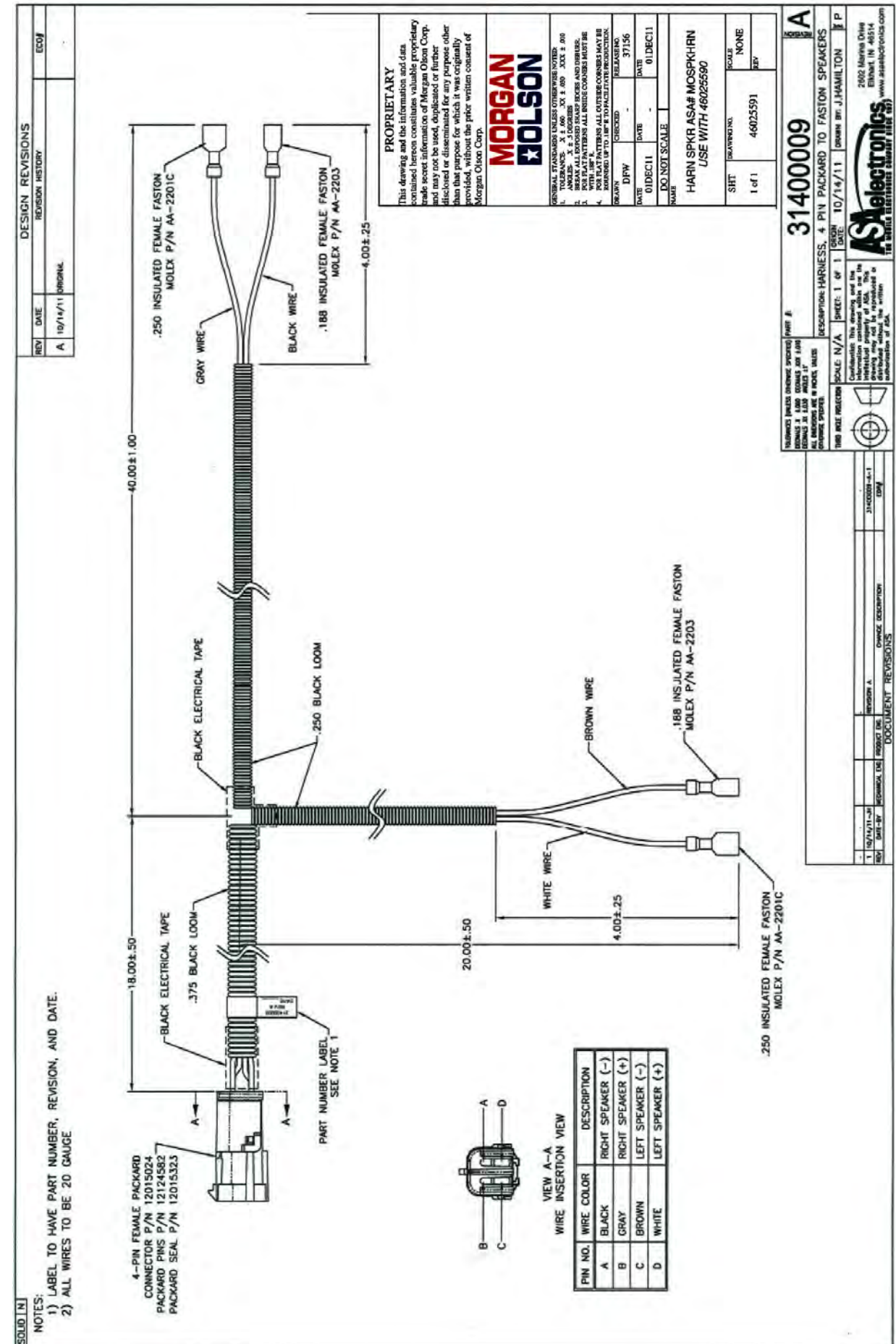
Item #	Part #	Description	Qty	Unit
1	217116400	Insulation Dash Wall	1	EA
2	188007408	Plate Hanger Bumper Steel .312X11X12	1	EA
3	<a href="#">46021114</a>	Body Clip Medium	1	EA
3	<a href="#">46021115</a>	Body Clip Large	13	EA
4	<a href="#">78331095</a>	Plate - Tie Down AL .125X1.12X3	26	EA
5	<a href="#">97650306</a>	Angle Clip AL 450196X3.5	2	EA
6	<a href="#">090087401</a>	Filler Plate - Wiring	1	EA
7	230094400	Bracket Camera AL .188X4X15.48	1	EA
8	<a href="#">87144300</a>	Angle Mounting - Rear Corner Posts LH / RH X76"	2	EA
9	<a href="#">47005504</a>	Sun Visor 8X33	2	EA
10	<a href="#">102084499</a>	Bracket Fuse Box AL .102X4X12.78	1	EA
11	<a href="#">173092401</a>	Cover Plate Fuse Box AL .102X4X4.13	1	EA
12	<a href="#">146079401</a>	Bracket Camera AL .102X3X3.47	1	EA
13	<a href="#">1107308</a>	Mud Flap 20X24 No Logo	1	PR
14	<a href="#">7504428</a>	Retainer Mud Flap AL .125X1.5X20	2	EA
15	<a href="#">80795014</a>	Angle Retainer - Mud Flaps AL .188X5X20	2	EA
16	<a href="#">46025017</a>	Reflector Red 2.88"	4	EA
17	<a href="#">42007001</a>	Cup Holder	1	EA
18	148140401	Bracket Cup Holder AL .07X6.33X13.75	1	EA
19	<a href="#">47001042</a>	Grab Rail - Entry Powder Coat Black	1	EA
20	<a href="#">107005490</a>	Angle - Grab Rail Attach AL .125X2.6X3.5	1	EA
21	168008406	Hanger Exhaust Pipe	1	EA
22	<a href="#">178050400</a>	Plate - Heel Scuff ALD .125 x 7 x 10.91	1	EA
23	<a href="#">43000903</a>	Decal - Hood Operation Proper Instruction	1	EA
24	<a href="#">44004002</a>	Trip / Drip Edge - Hood	7.5	FT

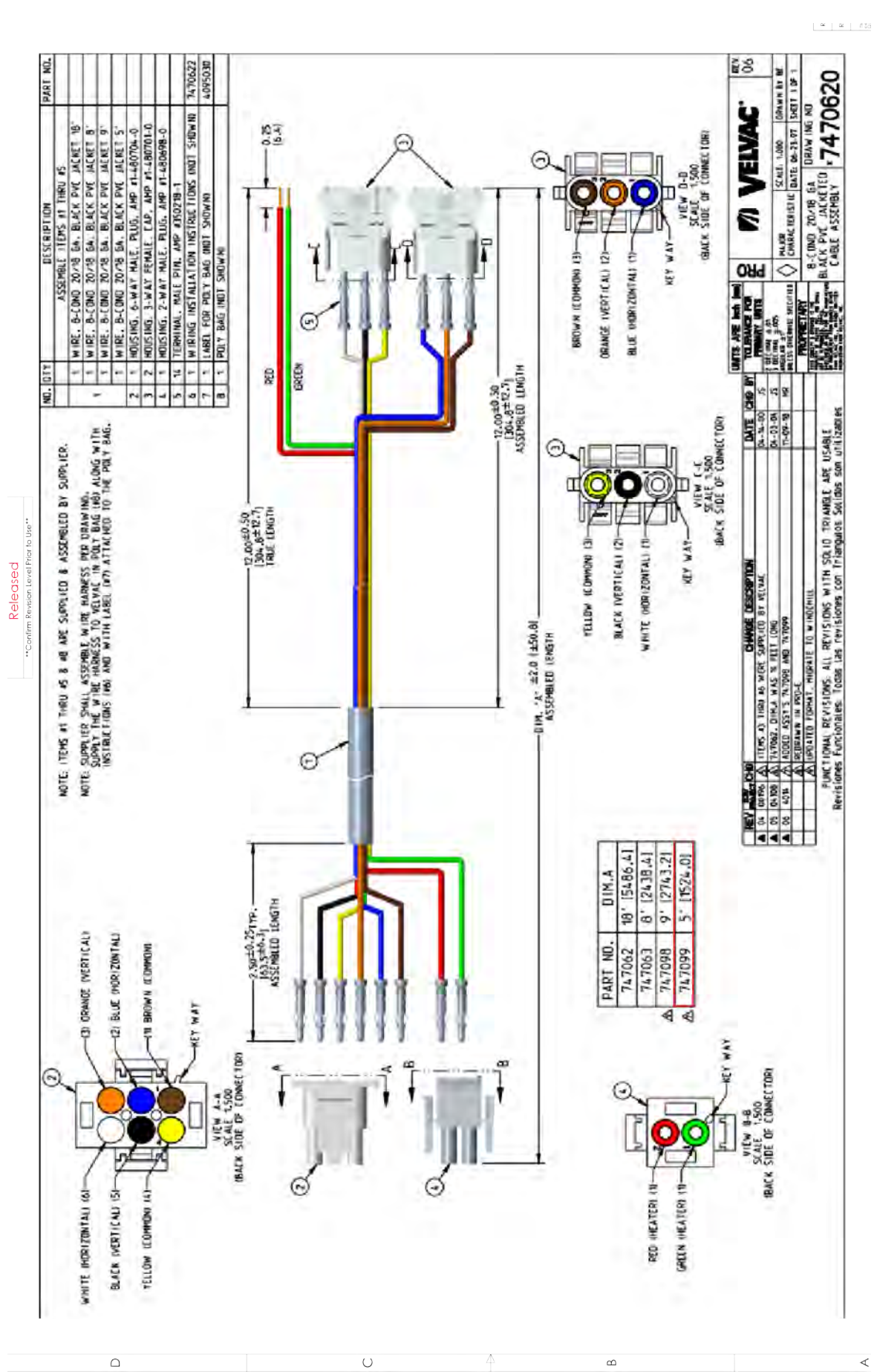
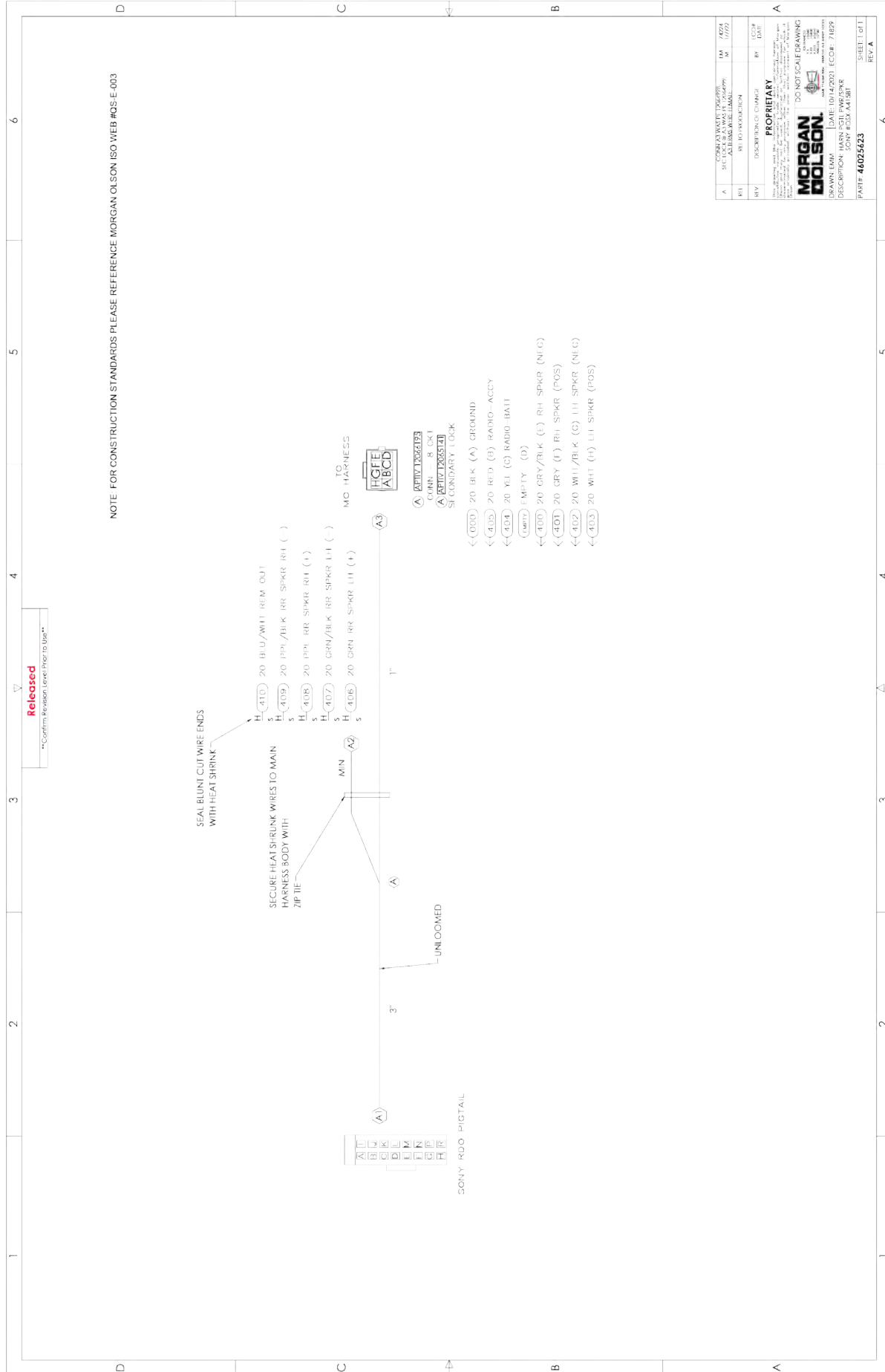


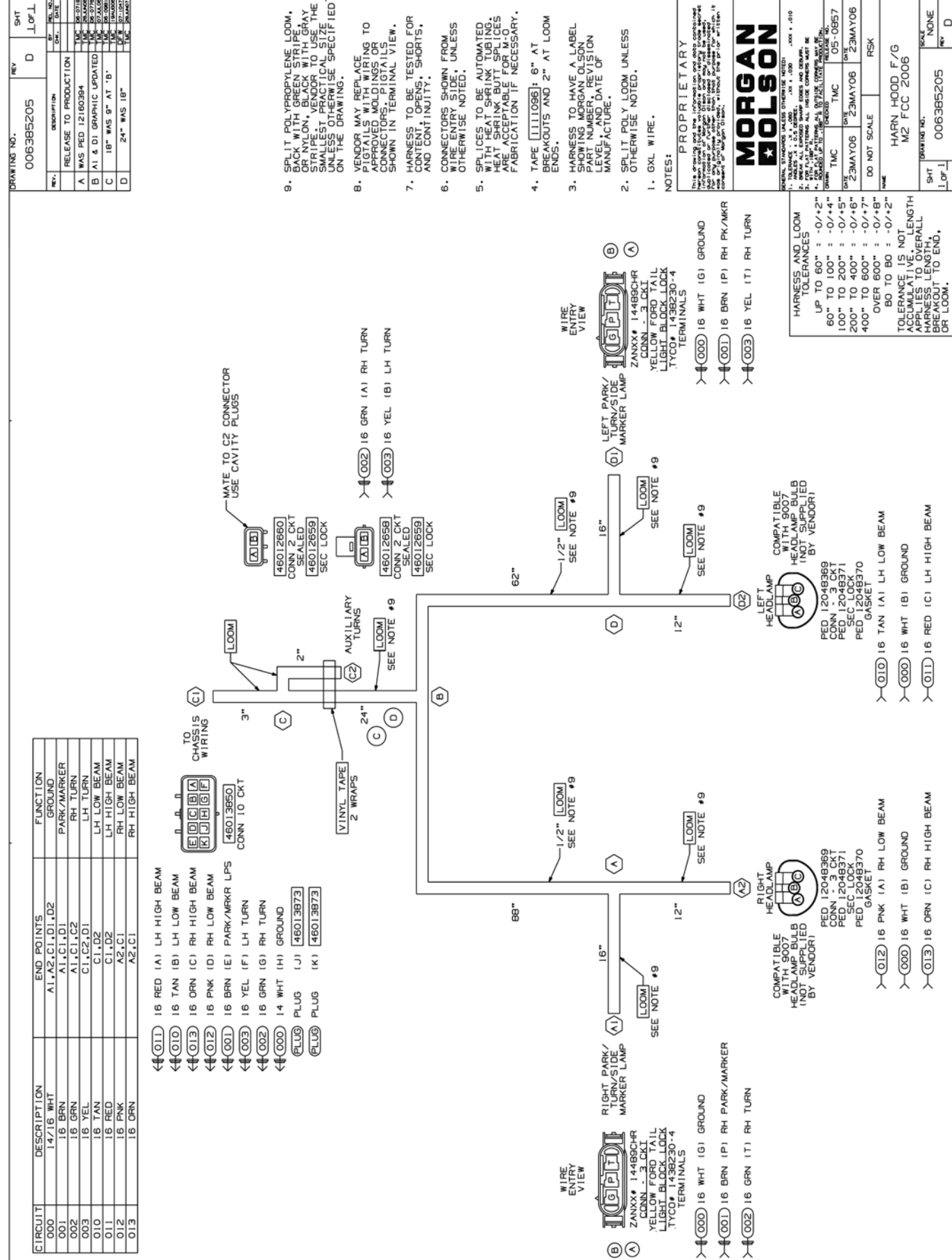
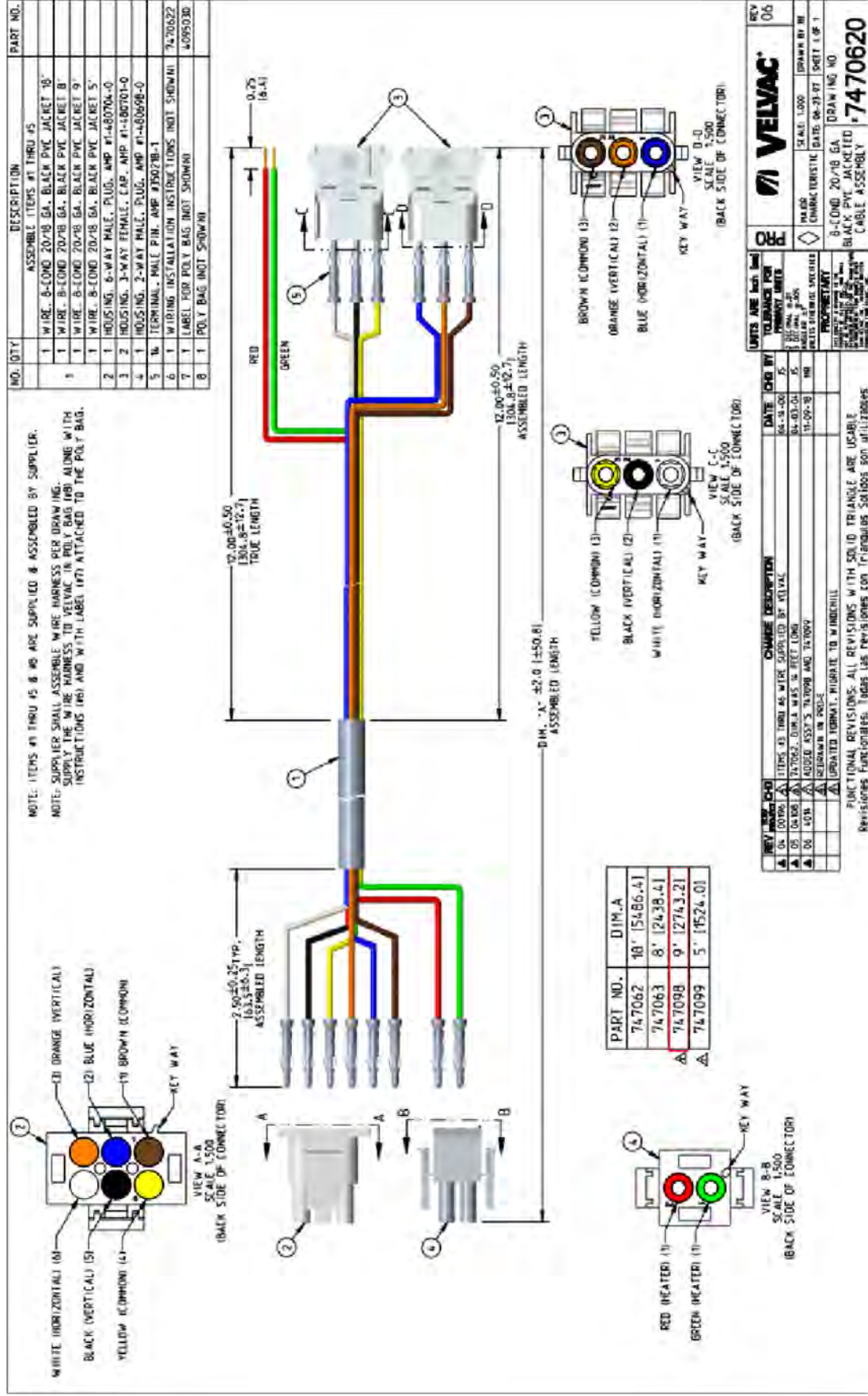
Item #	Part #	Description	Qty	Unit
1	<a href="#">46001388</a>	Lamp Clearance Marker RED LED PC	7	EA
2	<a href="#">46001391</a>	Lamp Clearance Marker AMBER LED PC	1	EA
3	<a href="#">46001395</a>	Lamp Clearance Marker AMBER LED PC	4	EA
3	<a href="#">46001905</a>	Lamp Stop LH/RH Turn Bar	1	EA
4	<a href="#">46003022</a>	Pilot Lamp - Green	1	EA
5	<a href="#">46000307</a>	Headlamp RH	1	EA
6	<a href="#">46000308</a>	Headlamp LH	1	EA
7	CS8083002	Backup Alarm FCCC	1	EA
8	<a href="#">46025621</a>	Radio AM / FM / BT / AUX	1	EA
9	<a href="#">46025590</a>	Speaker 6.5"	2	EA
10	<a href="#">46025559</a>	Antenna Top/Side Mount	1	EA
11	<a href="#">178300400</a>	Label Fuse/Block LH FCC	1	EA
12	<a href="#">178300401</a>	Label Fuse/Block RH FCC	1	EA
13	<a href="#">48200266</a>	Monitor 7"	1	EA
14	<a href="#">48200339</a>	Camera - Back Up White	1	EA
15				EA
16				EA
17				EA
18				EA
19				EA
20				EA
21				EA
22				EA
23				EA
24				EA



Page #	Part #	Description	Qty	Unit
33	<a href="#">46025591</a>	Wiring Harness Speaker	1	EA
34	<a href="#">46025623</a>	Wiring Harness Pigtail Power/Speaker	1	EA
35	<a href="#">47004216</a>	Wiring Harness Mirror Control 5'	1	EA
36	<a href="#">47004217</a>	Wiring Harness Mirror Control 9'	1	EA
37	<a href="#">006385205</a>	Wiring Harness Hood	1	EA
38-39	<a href="#">093093202</a>	Wiring Harness Roof	1	EA
40	<a href="#">093093205</a>	Wiring Harness Transom CHMSL Ready	1	EA
41	<a href="#">102084202</a>	Wiring Harness Rocker Switch	1	EA
42	<a href="#">102092202</a>	Wiring Harness T Liftgate Solenoid Control	1	EA
43	<a href="#">132087204</a>	Wiring Harness Liftgate - Transom to Liftgate	1	EA
44-47	<a href="#">165084202</a>	Wiring Harness Instrument Panel	1	EA
48-50	<a href="#">165088203</a>	Wiring Harness Chassis Interface	1	EA
51-53	<a href="#">167391200</a>	Wiring Harness Roof/Nose	1	EA
54	<a href="#">207084210</a>	Wiring Harness FCCC Jumper Wire	1	EA







DRAWING NO.	REV	SHT
093093202	B	1 of 2
DESCRIPTION	BY	DATE
RELEASE TO PRODUCTION	JAM	2/7/02
REV'D DM LP B/O'S	JAM	2/8/02

10. MAIN TRUNK OF HARNESS MUST FIT IN A .75 DIA. WIRE CHANNEL.
9. THIS IS A PURCHASED WIRE CHANNEL. ALL OF MATERIAL EXISTS.
8. VENDOR MAY REPLACE WITH APPROVED MOLDING OR CONNECTORS. PIGTAILS SHOWN IN TERMINAL VIEW.
7. HARNESS TO BE TESTED FOR CONTENT, OPENS, SHORTS, AND CONTINUITY.
6. CONNECTORS SHOWN FROM WIRE ENTRY SIDE UNLESS OTHERWISE NOTED.
5. SPLICES TO BE AUTOMATED WITH HEAT SHRINK TUBING. HEAT SHRINK BUTT SPLICES ARE ACCEPTABLE FOR M-O FABRICATION IF NECESSARY.
4. TAPE [1111096]: 6" AT BREAKOUTS AND 2" AT LOOM ENDS.
3. HARNESS TO HAVE A LABEL SHOWING MORGAN OLSON PART NUMBER, REVISION LEVEL, MANUFACTURE DATE OF MANUFACTURE.
2. SPLIT POLY LOOM UNLESS OTHERWISE NOTED.
1. GXL WIRE.

NOTES:

**PROPRIETARY**  
This drawing and the information contained herein are the property of Morgan Olson. All rights reserved. No part of this drawing may be reproduced or transmitted in any form or by any means, electronic, mechanical, photocopying, recording, or by any information storage and retrieval system, without the prior written permission of Morgan Olson.



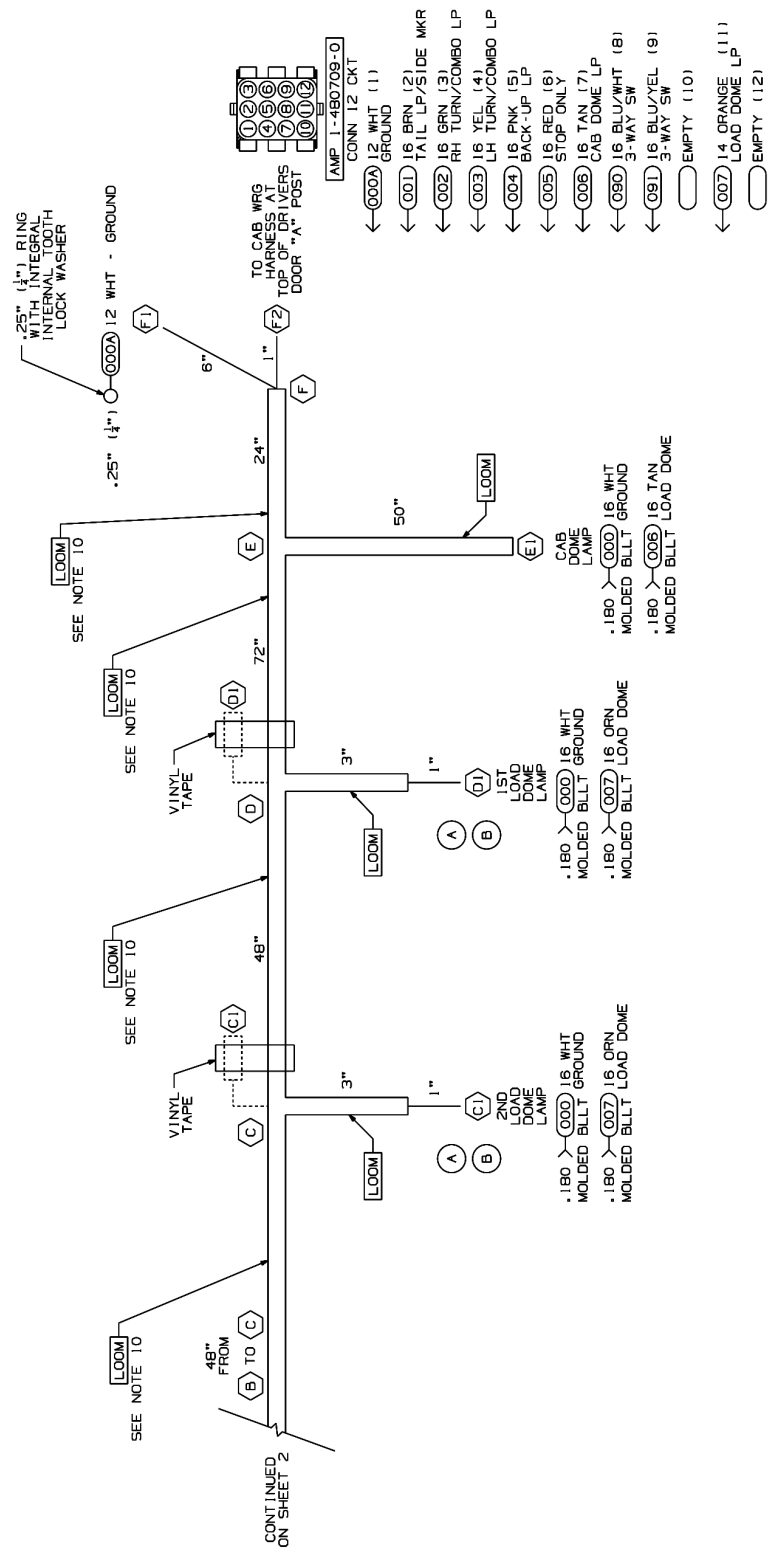
REV	DESCRIPTION	BY	DATE
A	REV'D DM LP	JAM	2/7/02
B	REV'D DM LP B/O'S	JAM	2/8/02

DATE: 14APR09  
DESIGNER: TJM  
CHECKED: JAM  
DATE: 07-1856  
JOB: 28DEC07

DO NOT SCALE

NAME: HARN ROOF 17"-20" 6"  
M100 TRUCK .180F BLTT

SCALE: NONE  
SHT: NONE



**HARNESSES AND LOOM TOLERANCES**

UP TO 60"	: -0/+2"
60" TO 100"	: -0/+4"
100" TO 200"	: -0/+5"
200" TO 400"	: -0/+6"
400" TO 600"	: -0/+7"
OVER 600"	: -0/+8"

BO TO BO : -0/+2"  
TOLERANCE IS NOT APPLICABLE TO OVERALL HARNESS LENGTH.

DRAWING NO.	REV	SHT
093093202	B	2 of 2
DESCRIPTION	BY	DATE
RELEASE TO PRODUCTION	JAM	2/7/02
REV'D DM LP B/O'S	JAM	2/8/02

10. MAIN TRUNK OF HARNESS MUST FIT IN A .75 DIA. WIRE CHANNEL.
9. THIS IS A PURCHASED WIRE CHANNEL. ALL OF MATERIAL EXISTS.
8. VENDOR MAY REPLACE PIGTAILS WITH WIRING TO APPROVED MOLDING OR CONNECTORS. PIGTAILS SHOWN IN TERMINAL VIEW.
7. HARNESS TO BE TESTED FOR CONTENT, OPENS, SHORTS, AND CONTINUITY.
6. CONNECTORS SHOWN FROM WIRE ENTRY SIDE UNLESS OTHERWISE NOTED.
5. SPLICES TO BE AUTOMATED WITH HEAT SHRINK TUBING. HEAT SHRINK BUTT SPLICES ARE ACCEPTABLE FOR M-O FABRICATION IF NECESSARY.
4. TAPE [1111096]: 6" AT BREAKOUTS AND 2" AT LOOM ENDS.
3. HARNESS TO HAVE A LABEL SHOWING MORGAN OLSON PART NUMBER, REVISION LEVEL, MANUFACTURE DATE OF MANUFACTURE.
2. SPLIT POLY LOOM UNLESS OTHERWISE NOTED.
1. GXL WIRE.

NOTES:

**PROPRIETARY**  
This drawing and the information contained herein are the property of Morgan Olson. All rights reserved. No part of this drawing may be reproduced or transmitted in any form or by any means, electronic, mechanical, photocopying, recording, or by any information storage and retrieval system, without the prior written permission of Morgan Olson.



REV	DESCRIPTION	BY	DATE
A	REV'D DM LP	JAM	2/7/02
B	REV'D DM LP B/O'S	JAM	2/8/02

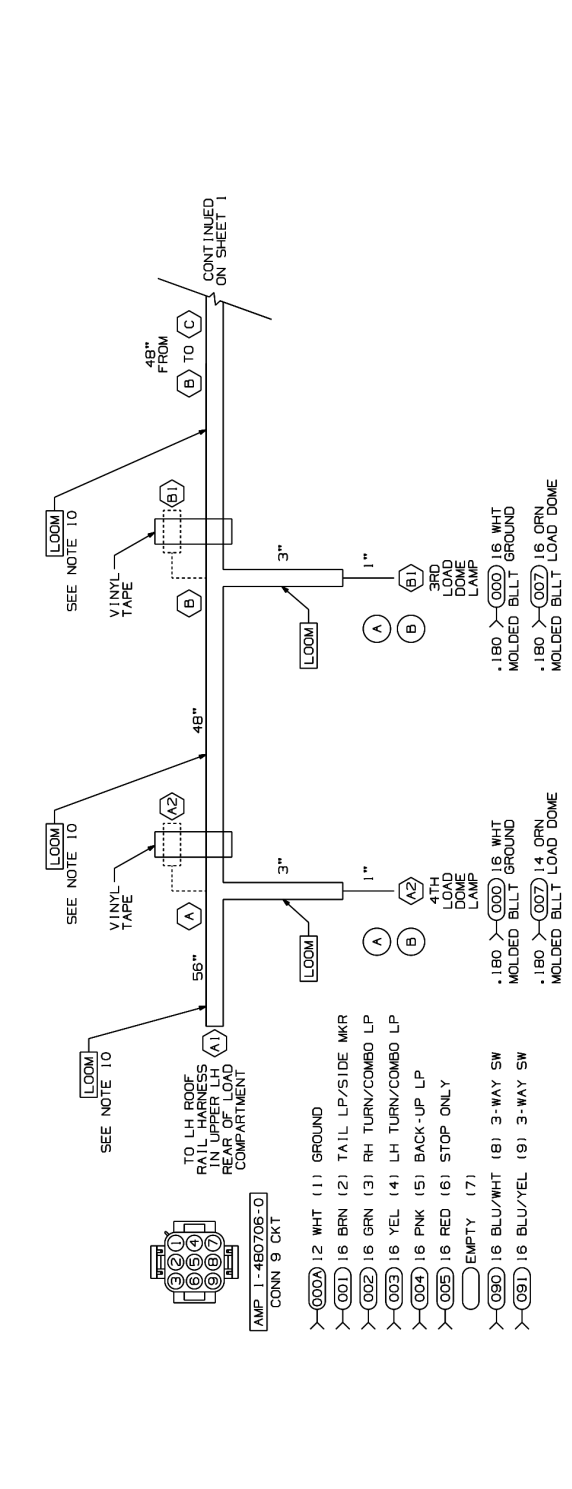
DATE: 14APR09  
DESIGNER: TJM  
CHECKED: JAM  
DATE: 07-1856  
JOB: 28DEC07

DO NOT SCALE

NAME: HARN ROOF 17"-20" 6"  
M100 TRUCK .180F BLTT

SCALE: NONE  
SHT: NONE

CIRCUIT	DESCRIPTION	END POINTS	FUNCTION
000A	12 WHT	A1,F1,F2,SPLICE 1	GROUND
000	14/16 WHT	A2,B1,C1,D1,E1,SPLICE 1	GROUND
001	16 BRN	A1,F2	CLERK/TCC LPS
002	16 GRN	A1,F2	RH TURN LP
003	16 YEL	A1,F2	LH TURN LP
004	16 PNK	A1,F2	BACK-UP LPS
005	16 RED	A1,F2	STOP LPS
006	16 TAN	E1,F2	CAB DOME LP
007	14/16 ORN	A2,B1,C1,D1,F2	LOAD DOME LAMPS
080	16 BLU/WHT	A1,F2	3-WAY SWITCH - LOAD DMS
091	16 BLU/YEL	A1,F2	3-WAY SWITCH - LOAD DMS



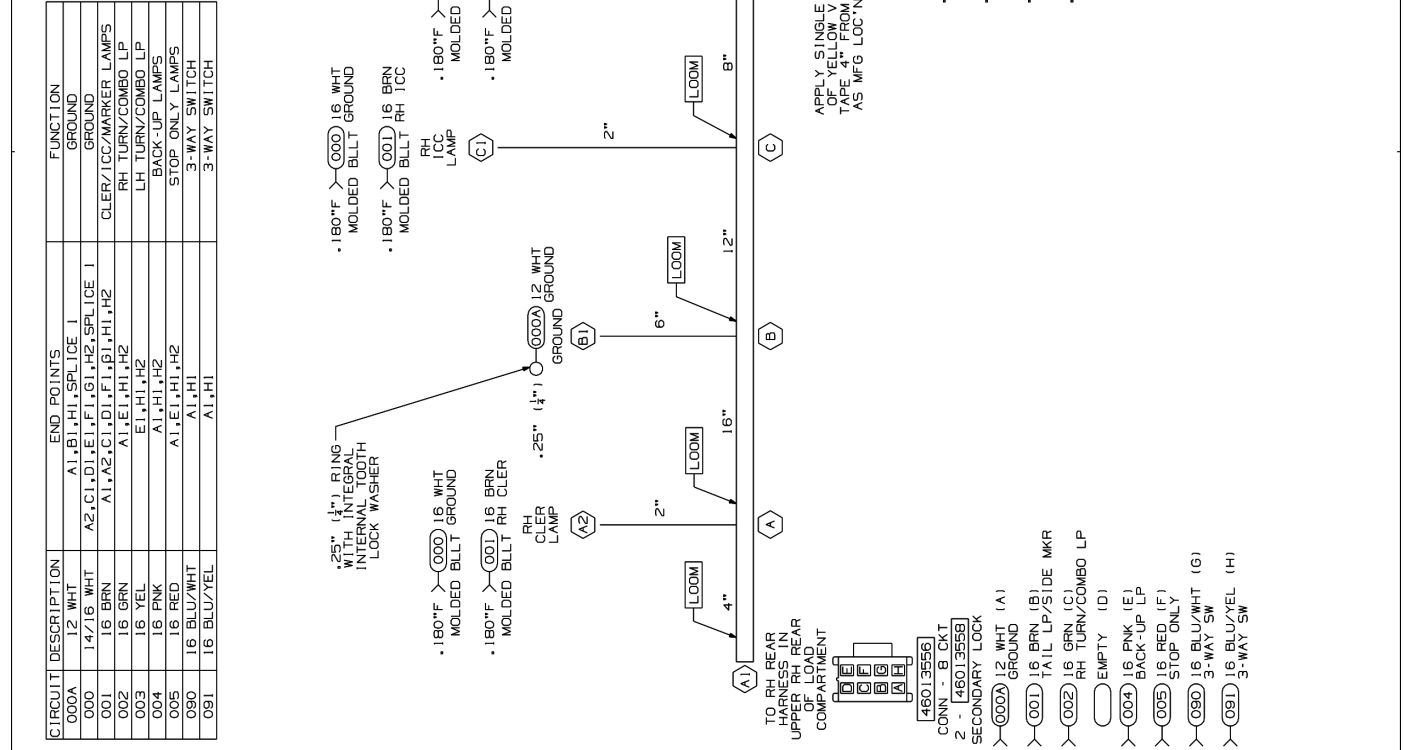
**HARNESSES AND LOOM TOLERANCES**

UP TO 60"	: -0/+2"
60" TO 100"	: -0/+4"
100" TO 200"	: -0/+5"
200" TO 400"	: -0/+6"
400" TO 600"	: -0/+7"
OVER 600"	: -0/+8"

BO TO BO : -0/+2"  
TOLERANCE IS NOT APPLICABLE TO OVERALL HARNESS LENGTH.

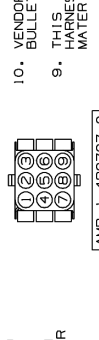
DRAWING NO.	093093205	REV	B	SHT	1 OF 1
DESCRIPTION					
RELEASE TO PRODUCTION					
REDRAWN & REVISED					
ADDED SIGNAL_002 TO					
CONNECTOR AT H2					

CIRCUIT DESCRIPTION	END POINTS	FUNCTION
000A 12 WHT	A1, B1, H1, SPLICE 1	GROUND
000 14 16 WHT	A2, C1, D1, E1, F1, G1, H2, SPLICE 1	GROUND
001 16 BRN	A1, A2, C1, D1, F1, G1, H1, H2	CLER/LCC/WARKER LAMPS
002 16 BRN	A1, E1, H1, H2	RH TURN/COMBO LP
003 16 YEL	E1, H1, H2	LH TURN/COMBO LP
004 16 PNK	A1, H1, H2	BACK-UP LAMPS
005 16 RED	A1, E1, H1, H2	STOP ONLY LAMPS
080 16 BLU/YEL	A1, H1	3-WAY SWITCH
081 16 BLU/YEL	A1, H1	3-WAY SWITCH



000A	12 WHT	GROUND
000	14 16 WHT	GROUND
001	16 BRN	CLER/LCC/WARKER LAMPS
002	16 BRN	RH TURN/COMBO LP
003	16 YEL	LH TURN/COMBO LP
004	16 PNK	BACK-UP LAMPS
005	16 RED	STOP ONLY LAMPS
080	16 BLU/YEL	3-WAY SWITCH
081	16 BLU/YEL	3-WAY SWITCH

- ← 000A 12 WHT (1) GROUND
- ← 001 16 BRN (2) TAIL LP/SIDE MKR
- ← 002 16 GRN (3) RH TURN/COMBO LP
- ← 003 16 YEL (4) LH TURN/COMBO LP
- ← 004 16 PNK (5) BACK-UP LP
- ← 005 16 RED (6) STOP ONLY
- ← 080 16 BLU/YEL (8) 3-WAY SW
- ← 081 16 BLU/YEL (9) 3-WAY SW



VENDOR TO GREASE FEMALE BULLET TERMINALS. THIS IS A PURCHASED PART. NO SPLIT OF MATERIAL EXISTS.

VENDOR MAY REPLACE APPROVED MOLDED BLLT CONNECTORS. PIGTAILS SHOWN IN TERMINAL VIEW.

HARNESSES TO BE TESTED FOR CONTENT, OPEN'S, SHORTS, AND CONTINUITY.

CONNECTORS SHOWN FROM WIRE ENTRY SIDE, UNLESS OTHERWISE NOTED.

SPLICES TO BE AUTOMATED WITH SOLDER, AND ADHESIVE LINED HEAT SHRINK TUBING.

TAPE [1111096]: 6" AT BREAKOUTS AND 2" AT LOOM ENDS.

HARNESSES TO HAVE A LABEL SHOWING MORGAN OLSON LEVEL, AND DATE OF MANUFACTURE.

SPLIT POLY LOOM UNLESS OTHERWISE NOTED.

1. OXL WIRE.

NOTES:

PROPRIETARY

MORGAN OLSON

GENERAL STANDARDS MAKE SPECIFIC NOTES:

- TOLERANCES - SEE DRAWING
- WORKING DIMENSIONS AND DIMENSIONS - SEE DRAWING
- ALL DIMENSIONS UNLESS OTHERWISE SPECIFIED ARE IN INCHES
- ALL DIMENSIONS UNLESS OTHERWISE SPECIFIED ARE TO CENTERLINE UNLESS OTHERWISE NOTED
- ALL DIMENSIONS UNLESS OTHERWISE SPECIFIED ARE TO CENTERLINE UNLESS OTHERWISE NOTED
- ALL DIMENSIONS UNLESS OTHERWISE SPECIFIED ARE TO CENTERLINE UNLESS OTHERWISE NOTED

DATE: 06APR09

26936

DO NOT SCALE

HARNESSES TRANSMOM CHMSL READY - 1800' BLLT

SCALE: NONE

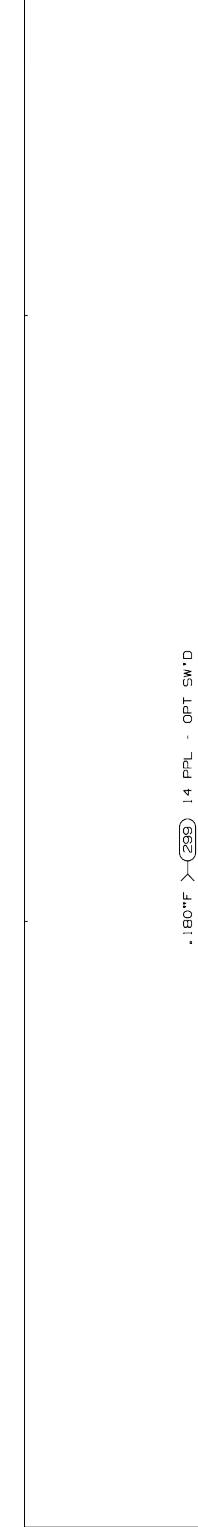
SHT: 1 OF 1

DRAWING NO.: 093093205

REV: B

BASED ON: 00693205

DRAWING NO.	102084202	REV	JDF	SHT	1 OF 1
DESCRIPTION					
RELEASE FOR PRODUCTION					



HARNESSES AND LOOM TOLERANCES

UP TO 60" : -0/+2"

60" TO 100" : -0/+4"

100" TO 200" : -0/+5"

200" TO 400" : -0/+6"

400" TO 600" : -0/+7"

OVER 600" : -0/+8"

80 TO 100 : -0/+2"

LENGTHS APPLY FROM BREAKOUT TO BREAKOUT, ENTRY SIDE OF CONNECTOR, OR END OF COVER.

1. VENDOR TO GREASE FEMALE BULLET TERMINALS.

2. THIS IS A PURCHASED HARNES. NO BILL OF MATERIAL EXISTS.

3. VENDOR MAY REPLACE APPROVED MOLDED BLLT CONNECTORS. PIGTAILS SHOWN IN TERMINAL VIEW.

4. HARNESSES TO BE TESTED FOR CONTENT, OPEN'S, SHORTS, AND CONTINUITY.

5. CONNECTORS SHOWN FROM WIRE ENTRY SIDE, UNLESS OTHERWISE NOTED.

6. SPLICES TO BE AUTOMATED WITH SOLDER AND ADHESIVE LINED HEAT SHRINK TUBING.

7. TAPE [1111096]: 6" AT BREAKOUTS AND 2" AT LOOM ENDS.

8. HARNESSES TO HAVE A LABEL SHOWING MORGAN OLSON PART NUMBER, REVISION LEVEL, AND DATE OF MANUFACTURE.

9. SPLIT POLY LOOM UNLESS OTHERWISE NOTED.

10. OXL WIRE

PROPRIETARY

MORGAN OLSON

GENERAL STANDARDS MAKE SPECIFIC NOTES:

- TOLERANCES - SEE DRAWING
- WORKING DIMENSIONS AND DIMENSIONS - SEE DRAWING
- ALL DIMENSIONS UNLESS OTHERWISE SPECIFIED ARE IN INCHES
- ALL DIMENSIONS UNLESS OTHERWISE SPECIFIED ARE TO CENTERLINE UNLESS OTHERWISE NOTED
- ALL DIMENSIONS UNLESS OTHERWISE SPECIFIED ARE TO CENTERLINE UNLESS OTHERWISE NOTED
- ALL DIMENSIONS UNLESS OTHERWISE SPECIFIED ARE TO CENTERLINE UNLESS OTHERWISE NOTED

DATE: 06AUG10

32101

DO NOT SCALE

HARN RKR SW\_JPR FOR OPT W/ PLT BATT OR ACCY M-100 PWR ONLY

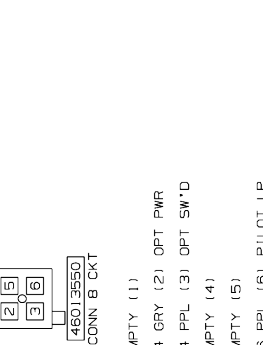
SCALE: NONE

SHT: 1 OF 1

DRAWING NO.: 102084202

REV: JDF

BASED ON: CV100823



VENDOR TO GREASE FEMALE BULLET TERMINALS. THIS IS A PURCHASED PART. NO SPLIT OF MATERIAL EXISTS.

VENDOR MAY REPLACE APPROVED MOLDED BLLT CONNECTORS. PIGTAILS SHOWN IN TERMINAL VIEW.

HARNESSES TO BE TESTED FOR CONTENT, OPEN'S, SHORTS, AND CONTINUITY.

CONNECTORS SHOWN FROM WIRE ENTRY SIDE, UNLESS OTHERWISE NOTED.

SPLICES TO BE AUTOMATED WITH SOLDER AND ADHESIVE LINED HEAT SHRINK TUBING.

TAPE [1111096]: 6" AT BREAKOUTS AND 2" AT LOOM ENDS.

HARNESSES TO HAVE A LABEL SHOWING MORGAN OLSON PART NUMBER, REVISION LEVEL, AND DATE OF MANUFACTURE.

SPLIT POLY LOOM UNLESS OTHERWISE NOTED.

1. OXL WIRE

PROPRIETARY

MORGAN OLSON

GENERAL STANDARDS MAKE SPECIFIC NOTES:

- TOLERANCES - SEE DRAWING
- WORKING DIMENSIONS AND DIMENSIONS - SEE DRAWING
- ALL DIMENSIONS UNLESS OTHERWISE SPECIFIED ARE IN INCHES
- ALL DIMENSIONS UNLESS OTHERWISE SPECIFIED ARE TO CENTERLINE UNLESS OTHERWISE NOTED
- ALL DIMENSIONS UNLESS OTHERWISE SPECIFIED ARE TO CENTERLINE UNLESS OTHERWISE NOTED
- ALL DIMENSIONS UNLESS OTHERWISE SPECIFIED ARE TO CENTERLINE UNLESS OTHERWISE NOTED

DATE: 06AUG10

32101

DO NOT SCALE

HARN RKR SW\_JPR FOR OPT W/ PLT BATT OR ACCY M-100 PWR ONLY

SCALE: NONE

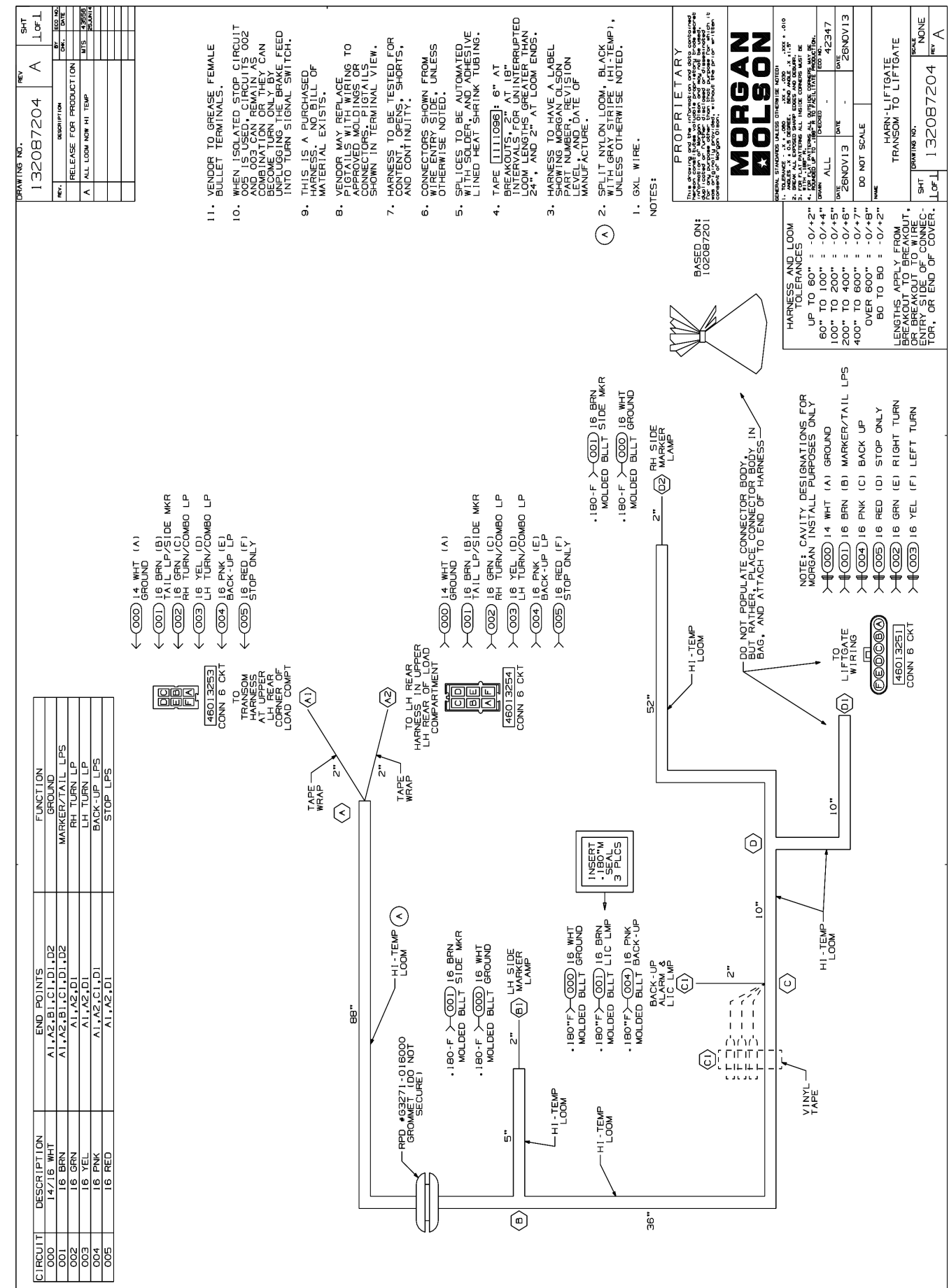
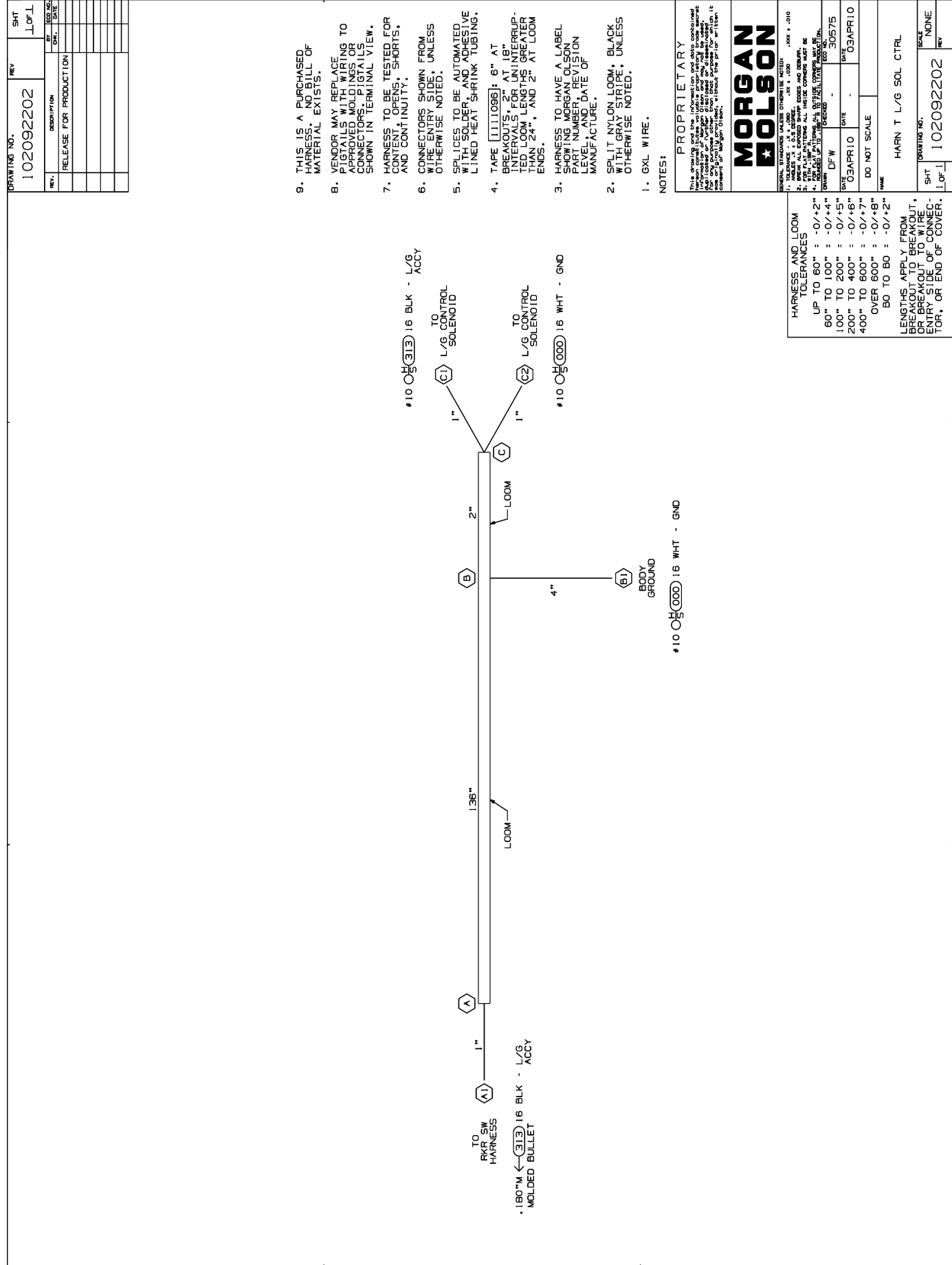
SHT: 1 OF 1

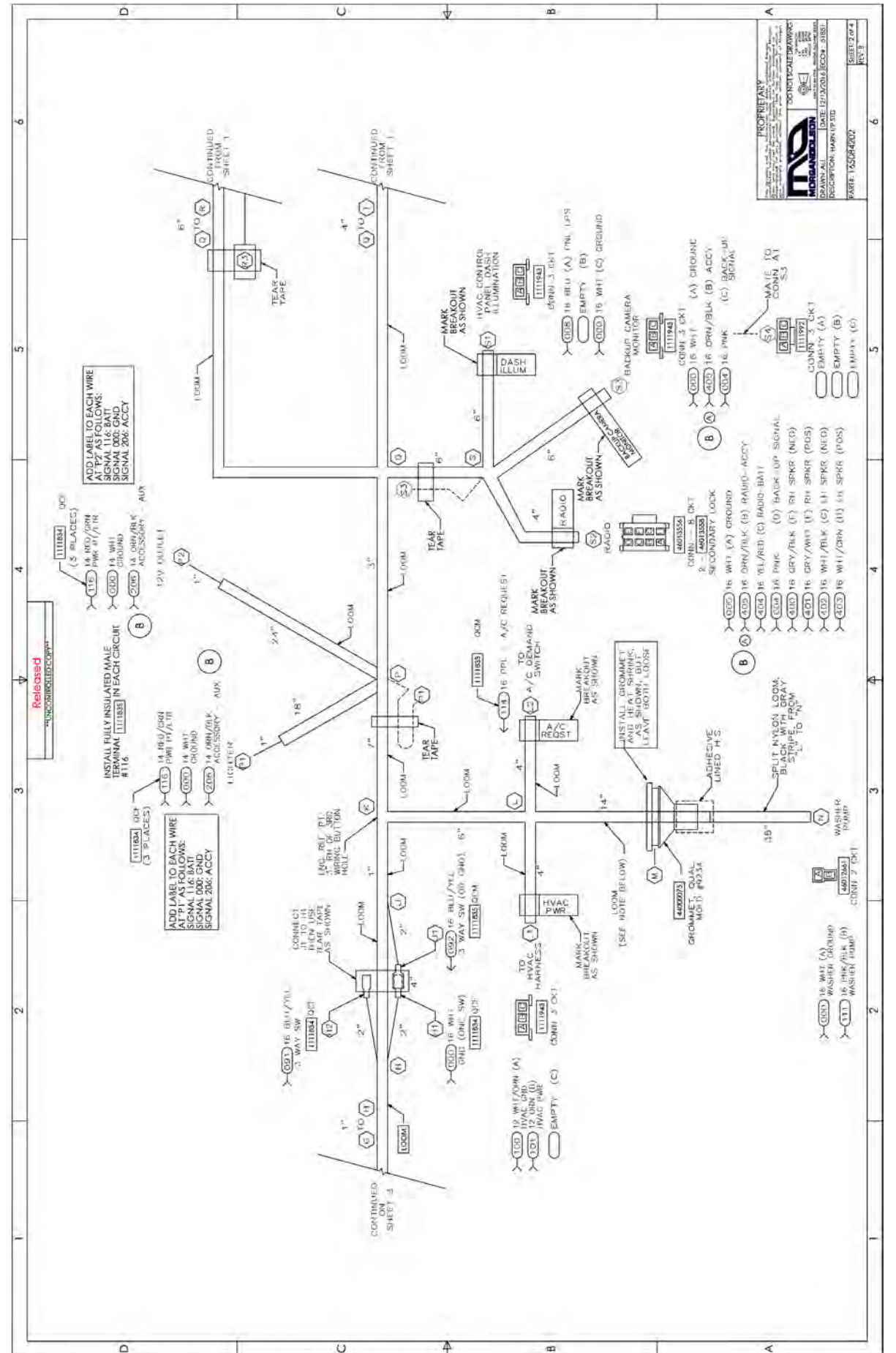
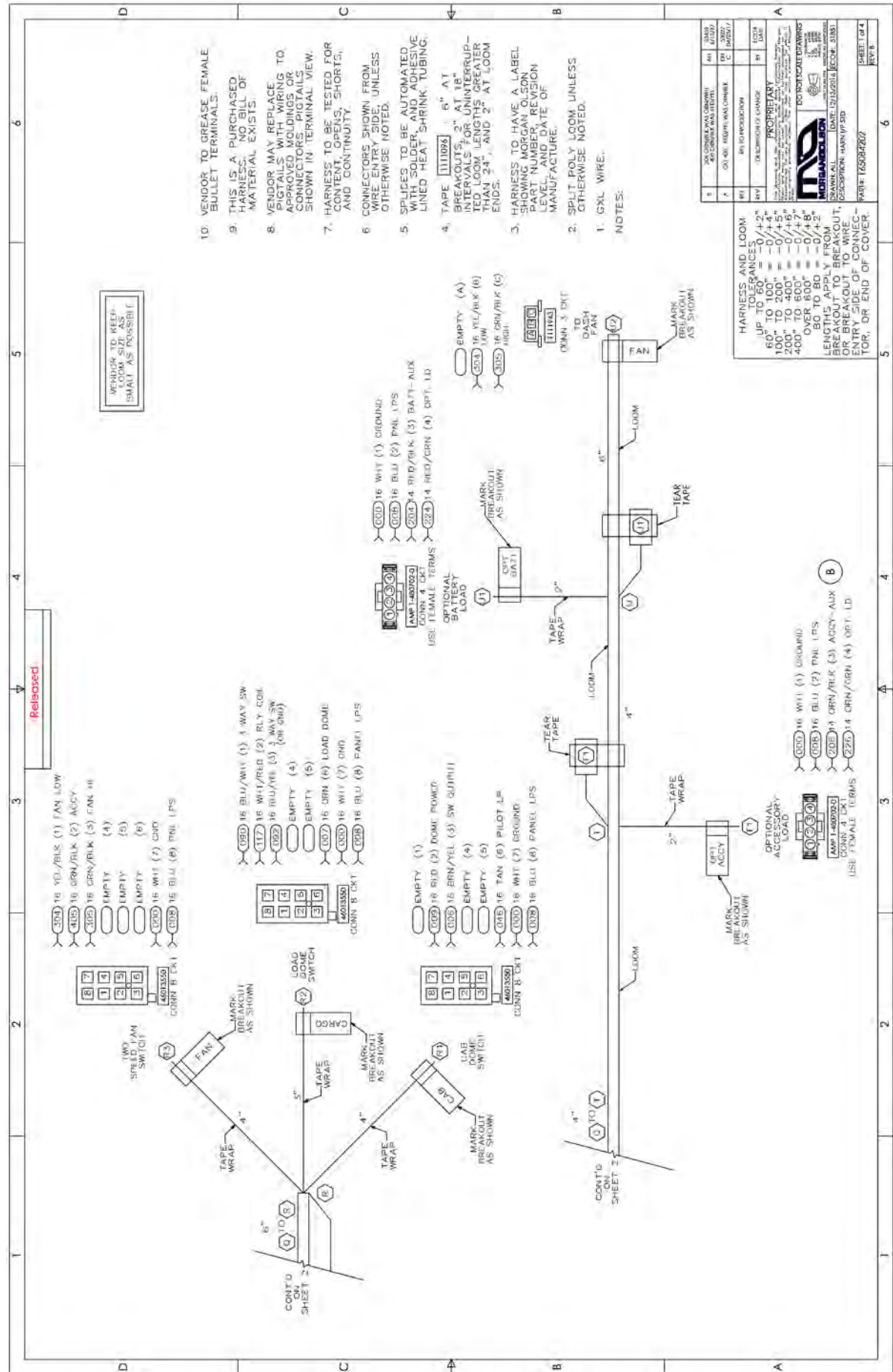
DRAWING NO.: 102084202

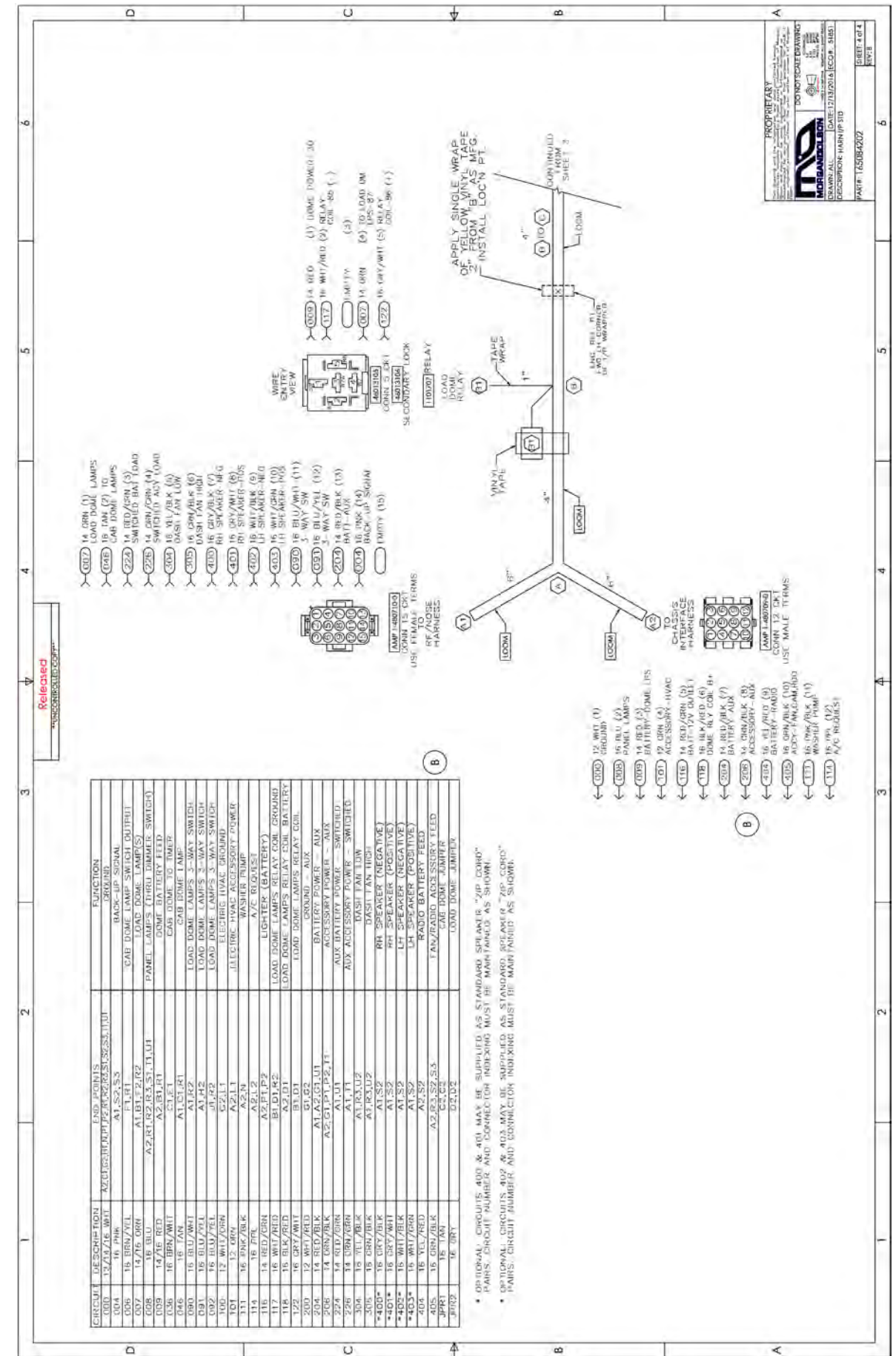
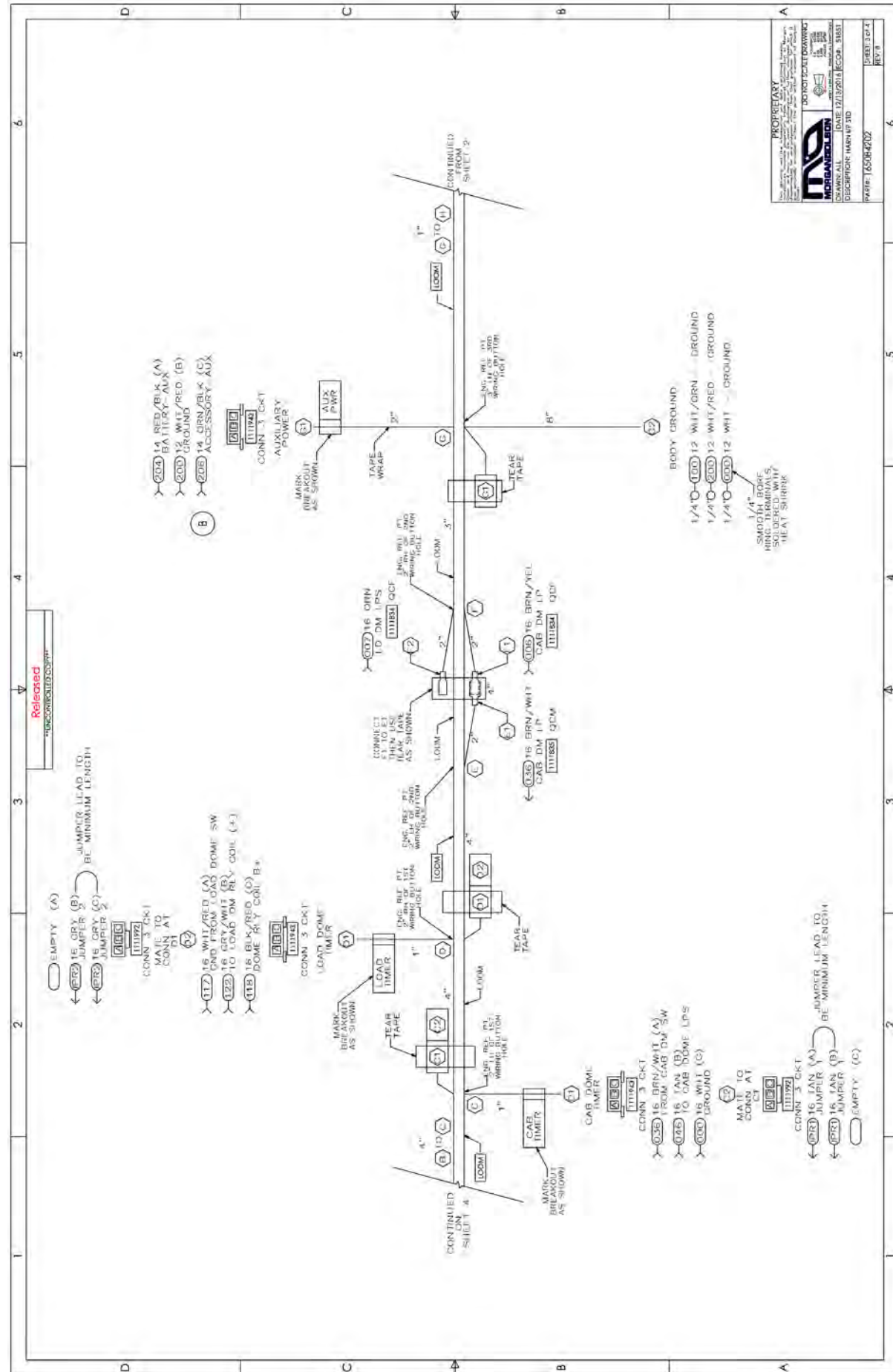
REV: JDF

BASED ON: CV100823

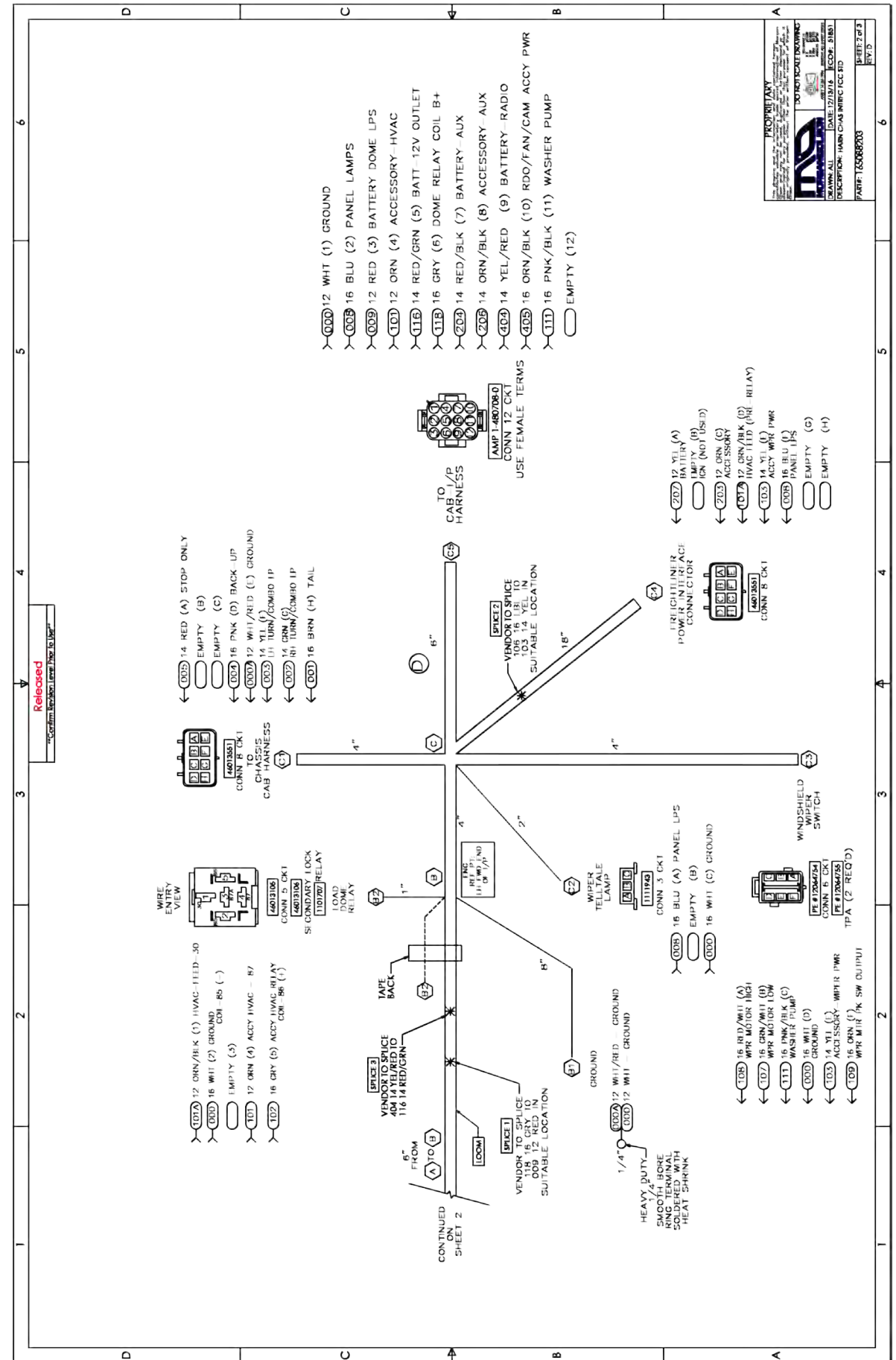
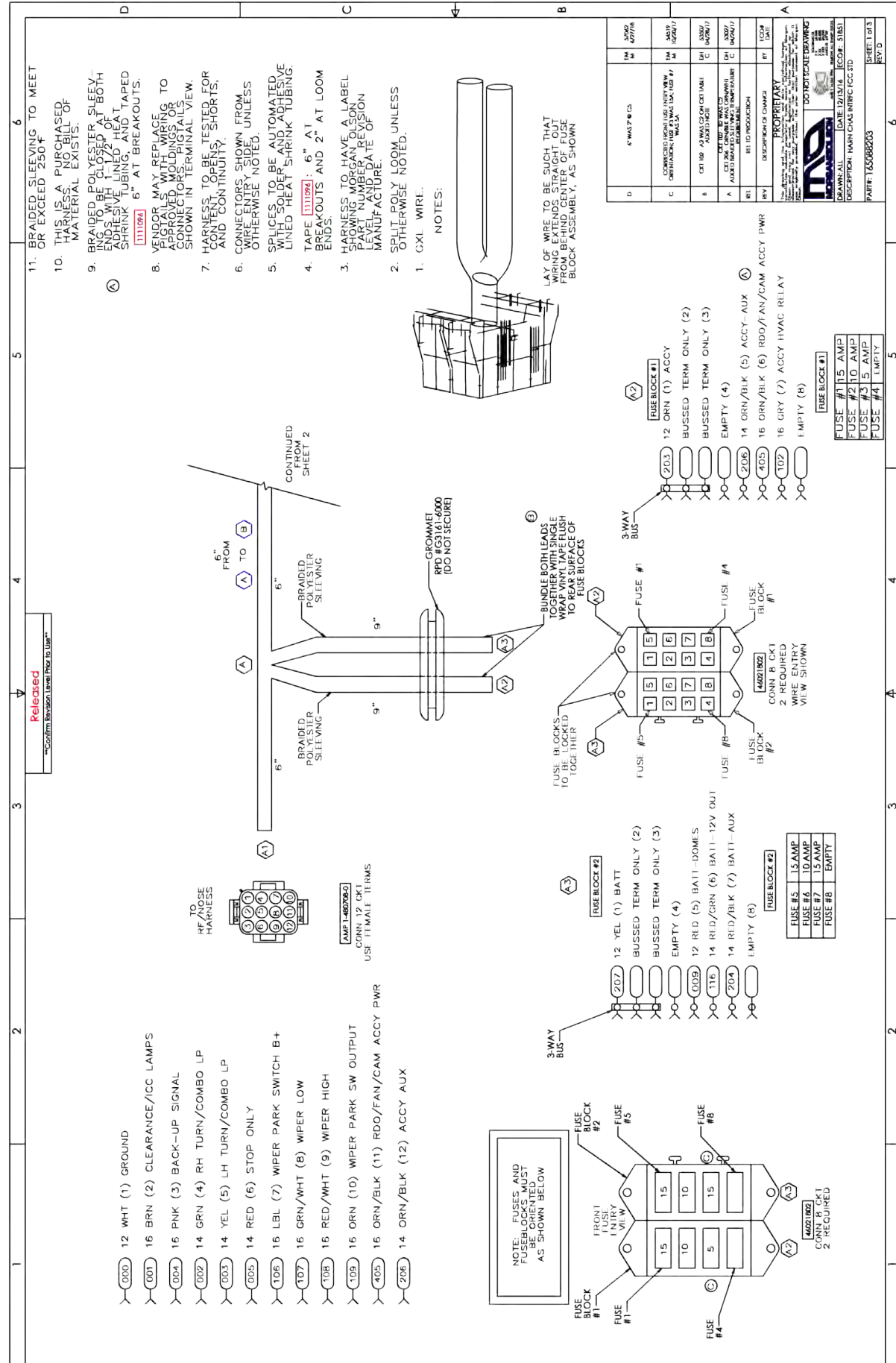


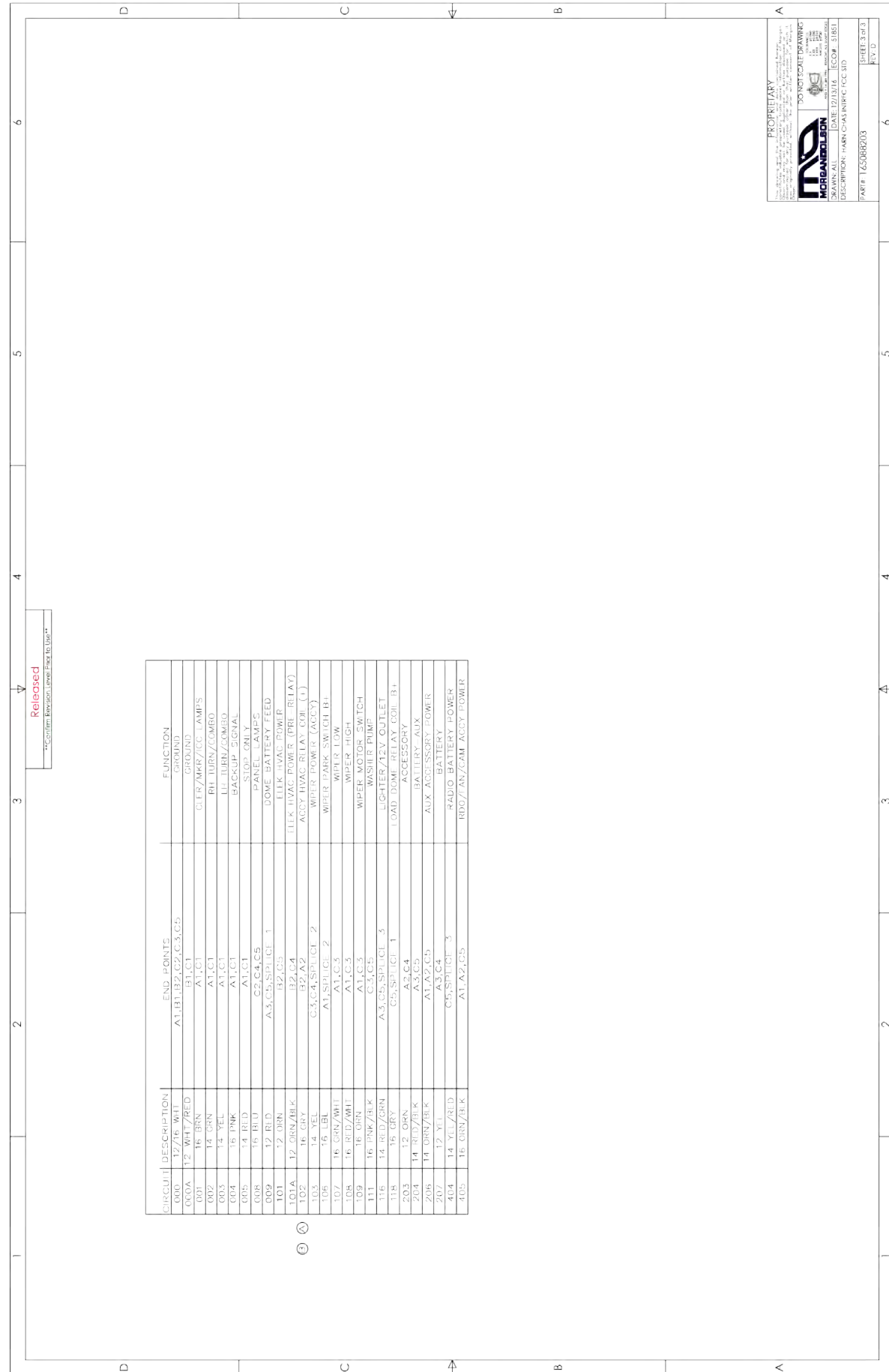




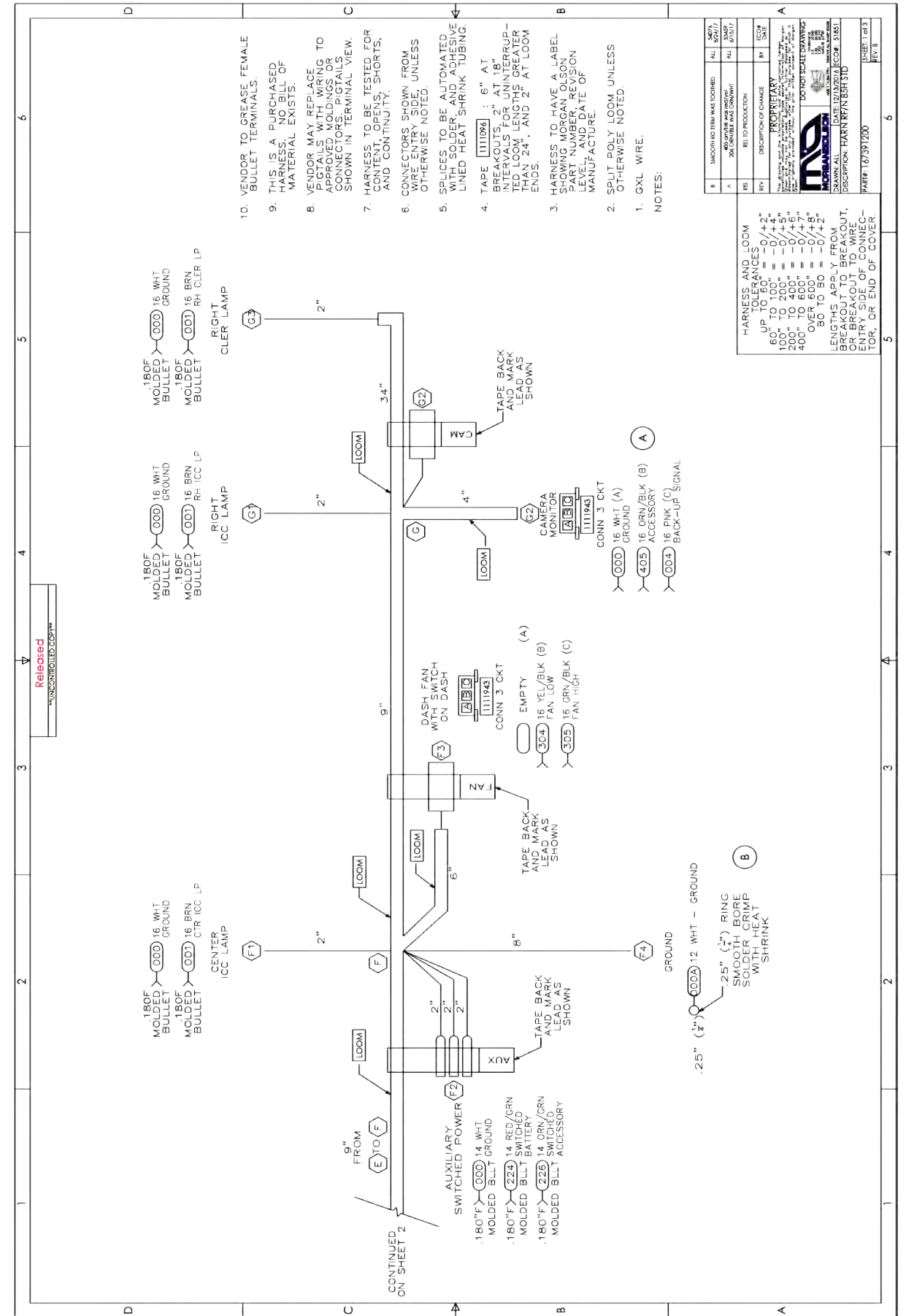






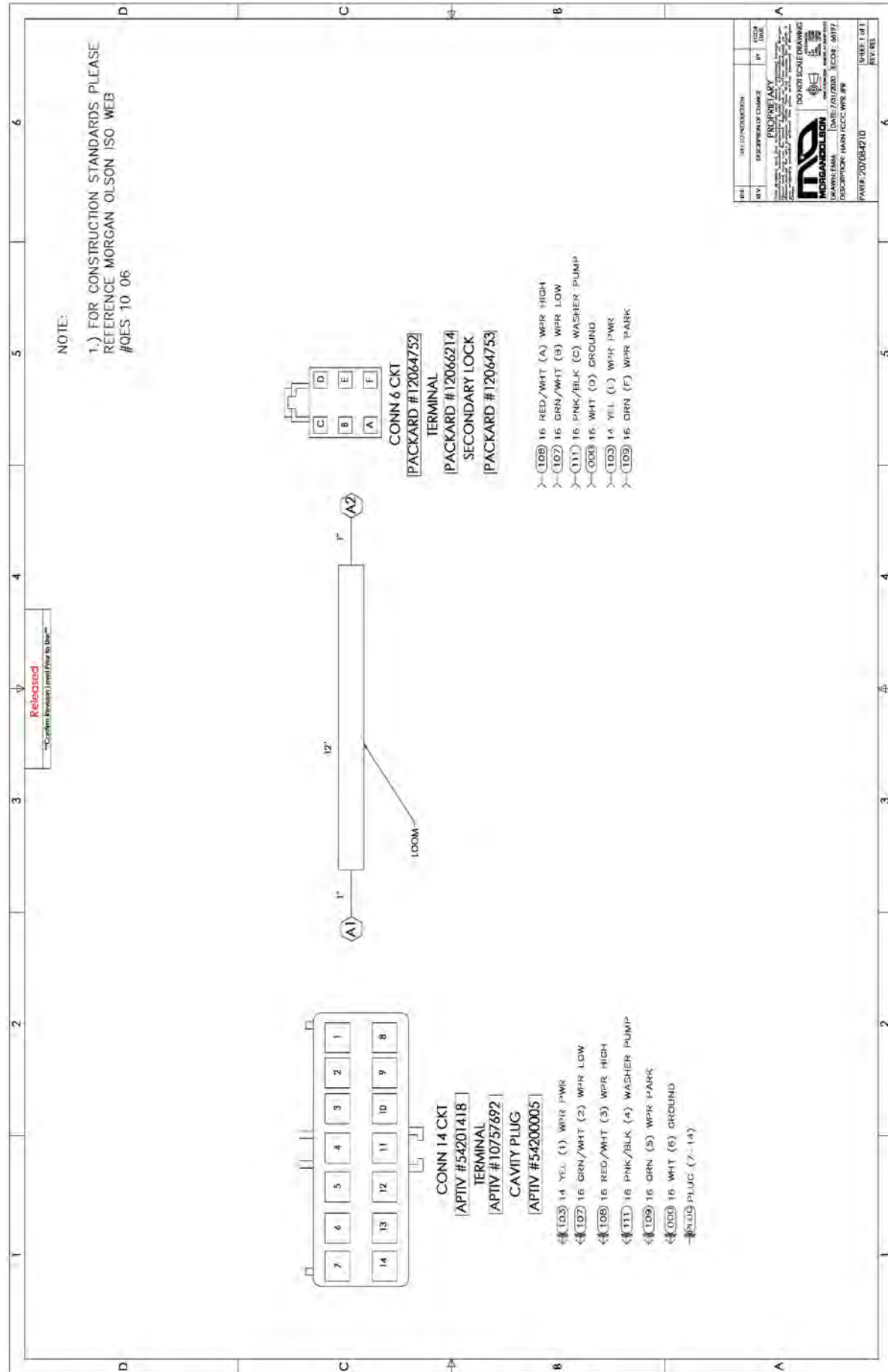


**PROPRIETARY**  
**MORGAN OLSON**  
 DATE: 12/13/16  
 ECOM: 1181  
 DESCRIPTION: HARN CHA/PARK/ICC HD  
 PART: 165086203  
 SHEET 3 OF 3

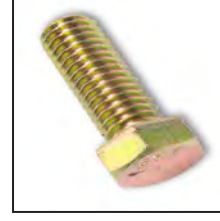


**PROPRIETARY**  
**MORGAN OLSON**  
 DATE: 12/13/16  
 ECOM: 1181  
 DESCRIPTION: HARN CHA/PARK/ICC HD  
 PART: 165086203  
 SHEET 3 OF 3

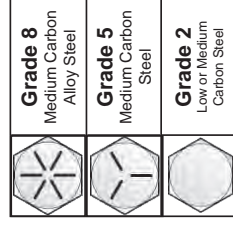




Blank Page



Size	Description	Thread	Lengths														
			.62	3/4"	1"	1-1/4"	1-1/2"	1-3/4"	2"	2-1/2"	3"	3-1/4"	4"				
1/4" Hex Cap Screw	GR5 ZC/RO	20					1117009										
1/4" Hex Cap Screw	GR5 ZC/RoHS	20			1101688								1117818				
1/4" Hex Cap Screw	18-8 Stainless	20	1117816		1117819	1117010											
1/4" Hex Cap Screw	ASTM F593C	20															
5/16" Hex Cap Screw	18-8 Stainless	18				1117804											
5/16" Hex Cap Screw	GR8 ZC/Y	18			1117045												40300737
5/16" Hex Cap Screw	ASTM F593	18			1117803			1117059									
5/16" Hex Cap Screw	GR5 ZC/R	16				1117837											
3/8" Hex Cap Screw	GR8 ZC/Y	18				1117049	1117055										
3/8" Hex Cap Screw	GR8 ZC/Y	16			1117843												
3/8" Hex Cap Screw	GR5 ZC/RO	16			47012646					1117097			051166		1117000		
3/8" Hex Cap Screw	GR5 ZC/RoHS	16	40300056	40300054						40300058			05125	1117040			05128
3/8" Hex Cap Screw	ASTM F593C	16						1117805	1117052								
7/16" Hex Cap Screw	GR8 ZC/Y	20						1217000									
1/2" Hex Cap Screw	GR5 ZC/RoHS	13															1117035
1/2" Hex Cap Screw	GR5 ZC/RO	13				1117121							1117050	1117051			
1/2" Hex Cap Screw	GR5 ZC/RoHS	13								1117043	1117124	1117051					
1/2" Hex Cap Screw	GR5 ZC	13						1117036	051461								
5/8" Hex Cap Screw	GR5	11															40300259

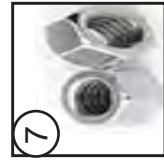
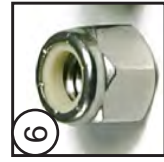
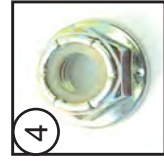
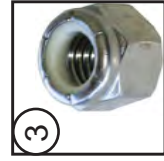
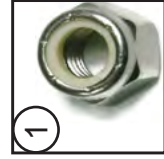


ZC	Zinc Coated
ZP	Zinc Plated
Y	Yellow
GR	Grade
RoHS	AS9100C ISO 9001:2008
ASTM F593C	American Standards Measurements Specifications

Genuine OEM Parts

1.800.233.4823

www.morganolsonparts.com



ZP - ZINC PLATED

Standard	Thread	FIG.	#8	#10	1/4"	5/16	3/8"	.44	1/2"	DIA.
NYLON LOCKING NUT, HEX	32	1		052266						
NYLON LOCKING NUT, HEX	24	1		40301303						
NYLON LOCKING NUT, HEX ZP	24	3		1117307						
NYLON LOCKING NUT, HEX ZP	20	3			1117310					
NYLON LOCKING NUT, HEX ZP	18	3				1117838				
NYLON LOCKING NUT, HEX ZP	16	3					1117344			
LOCKING NUT HEX FLANGE .44-20 OVAL	20	4						1217003		
NUTSERT EXPANDING NYL .275 SQ	20	5		40900006						
NUT NON LOCKING	24	2		1117303						
NUT NON LOCKING	20	2			1117312					
NUT NON LOCKING	16	2							1117316	
<b>GRADE 5</b>										
NUT STL LK LRG FLG GD5 .31-18	18	4							40100560	
NUT STL HEX LK B ZP .5-13 GR 5	13	1								1117283
<b>Stainless</b>										
NUT SS LOCKING	32	3	1117347	1117699						
NUT SS LOCKING	24	6		1103354						
NUT SS LOCKING	20	6			1117336					
NUT SS NON LOCKING	20	7			40100044					
NUT SS ACORN LOW CROWN	20	8			40100061					
<b>Speciality</b>										
CHANNEL NUT WITH SPRING 1 X 1-1/4"	20	9			47009988					

Genuine OEM Parts

1.800.233.4823

www.morganolsonparts.com

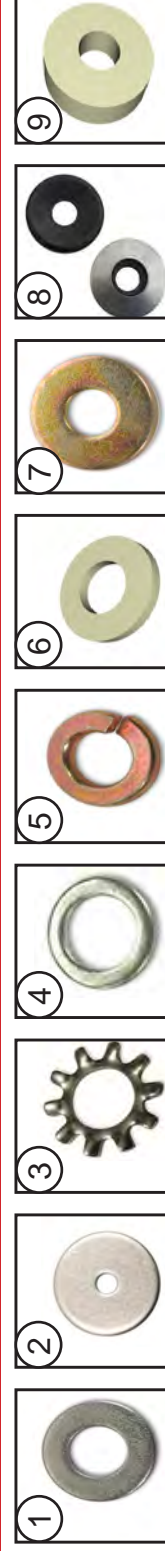


		Length													
	MAGNA LOCK	Diameter	Fig.	.25	.312	.375	.438	.44	.5	.562	.625	.687	.75	.875	1"
	HUCK R6-4	.188	1	1117084	1117061										
	HUCK R8-6	.25	2	1117087											
	PROTRUDING HEAD	.25	3		40200304			40200634		40200303					
	FLUSH HEAD B6-4	.25	4						40200630						
	RIV AL BRAIZER HEAD	.125	5	1117402	1117404	1117405		1117406							
	RIV AL BRAIZER HEAD	.188	5	1117351	1117353	1117355		1117357	1117359	1117361	1117363	1117365			
	RIV AL BRAIZER HEAD	.25	5					1117380							1117395
	RIV AL BRAIZER HEAD MOD	.25	5					40200214	1117409	1117410	1117408				
	RIV AL FLAT HEAD	.188	7												
	RIV AL FLAT HEAD POP	.25	7						1117438						
	RIV AL DOME HEAD BLIND	.125	10	1117464											
	RIV AL DOME HEAD BLIND	.188	10	1117456	1117457				1117458		1117459				
	POP AL OPEN END BLIND	.125	6			1117421									
	POP AL OPEN END BLIND	.188	6	1117456	1117457						1117459			1117458	
	POP CLSD BLACK		8						40200629		40200631				
	SNAP FASTENER		9						40900925						
	BULB TYPE BLIND w/WASHER	.188	10		40200621				40200501						

Genuine OEM Parts

1.800.233.4823

www.morganolsonparts.com



Standard	Center	FIG.	3/8	1/2	9/16	5/8	3/4"	7/8	1"	1-1/4"	1-3/4"
#10 TYPE B FLAT WASHER ZINC/ROHS	.19	1			1117929						
#10 X 1 FENDER WASHER ZC	.19	2							1117950		
#10 EXTERNAL TOOTH LW ZC	.19	3	1117971								
1/4 EXTERNAL TOOTH LW ZC	1/4	3		1117975							
1/4 TYPE B NARROW FLAT WASHER	1/4	4			1117941						
1/4 USS FLAT WASHER ZC/ROHS	1/4	1					1117953				
1/4 F436 (A325) FLAT WASHER ZC/ROHS	1/4	1				40000047					
FLAT WASHER .060 THICK ZC/RO	1/4	1							1117952		
1/4 USS FLAT WASHER	1/4	1		1117885							
5/16 SPLIT LOCK WASHER ZC/ROHS	5/16	5	1117965								
5/16 USS FLAT WASHER ZC/ROHS	5/16	1						1117955			
3/8 USS FLAT WASHER ZC/ROHS	3/8	1						1117957			
3/8 X 1 FLAT WASHER 1/4 THK NYLON	3/8	6						40000038			
1/2 TYPE B REGULAR FLAT WASHER	1/2	1							40000050		
1/2 TYPE B REGULAR FLAT WASHER ZC	1/2	1								1117945	
1/2 TYPE B WIDE FLAT WASHER ZC/ROHS	1/2	1									1117959
<b>Grade 8</b>											
5/16 USS FLAT WASHER GR 8 ZC/Y	5/16	7						1117937			
3/8 USS FLAT WASHER GR 8 ZC/Y	3/8	7							1117947		
3/8 SAE FLAT WASHER GR 8 ZC/Y	3/8	7					40000046				
7/16 USS FLAT WASHER GR 8 ZC/Y	7/16	7								1217002	
1/2 SAE FLAT WASHER GR 8 ZC/Y	1/2	7							1117943		
<b>Stainless 18-8</b>											
#10 X 5/8 BONDED SEALER 18-8 SS	.19	8				40000053					
1/4 X 5/8 BONDED SEALER 18-8 SS	1/4	8				40000051					
3/8 X 3/4 BONDED SEALER 18-8 SS	3/8	8					40000054				
3/8 X 1" BONDED SEALER 18-8 SS	3/8	8								40000055	
1/4 EXTERNAL TOOTH SS LW ZC	1/4	3		40000510							
<b>Speciality</b>											
WASHER NYLON .13 X .62 ID X 1.380D	5/8	9									137147429

Genuine OEM Parts

1.800.233.4823

www.morganolsonparts.com



	Diameter	Fig.	Length																	
			.5	.625	.75	.875	1"	1-1/4"	1-1/2"	2-1/4"	2-1/2"	3"								
<b>18-8 Stainless</b>																				
PHILLIPS TRUSS M/S 18-8 SS	8 - 32	1		1117716																
PHILLIPS TRUSS M/S 18-8 SS	10 - 24	1	1117800	1117814	40300498			40300451												
PHILLIPS TRUSS M/S 18-8 SS	1/4 - 20	1			1117784			40300453			40300454									
PHILLIPS TRUSS M/S 18-8 SS	5/16 - 18	1			1117928															
PHILLIPS FLAT M/S 18-8 SS	10 - 32	2						1117830												
PHILLIPS FLAT M/S 18-8 SS	1/4 - 20	2			40300809			1117782					40300630	40300631						
PHILLIPS ROUND M/S 18-8 SS	10 - 24	6			1117209															
6 LOBE PAN T/C M/S 18-8 SS	1/4 - 20	9						1117815												
<b>Standard Steel RoHS</b>																				
PHILLIPS ROUND M/S ZC/ROHS	8 - 32	6																		
PHILLIPS PAN TEKS/3 ZC/ROHS	10 - 16	5			1117674															
PHILLIPS TRUSS M/S ZC/ROHS	10 - 24	1																		1117793
PHILLIPS TRUSS M/S ZC/ROHS	10 - 32	1	1117723		1117688			1117715												
<b>T/C - Thread Cutting</b>																				
PHIL PAN T/S TYPE A ZC	10	8								1117680										
PHIL TRUSS T/S TYPE A BLK	10	4								40300101										
PHIL PAN T/S TYPE A BLK	10	7								40300503										
PHIL PAN T/S TYPE A ZC	12	8			1117666															
6 LOBE PAN T/C	1/4 - 20	9			1117668			40300922				1117684								40300042



T/C Thread Cutting 6 Lobe Type A  
Genuine OEM Parts